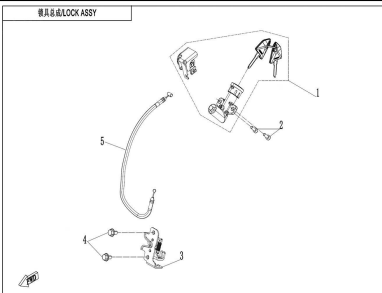
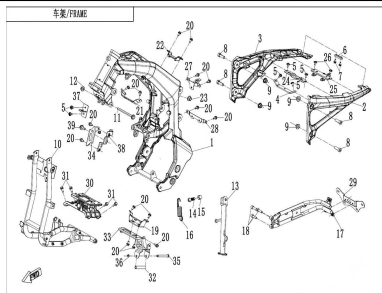
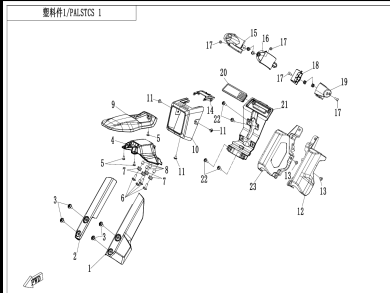
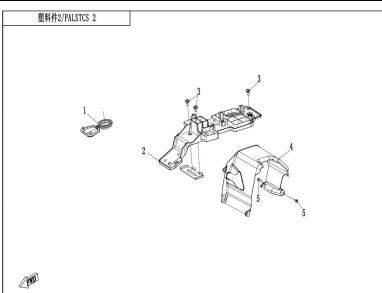
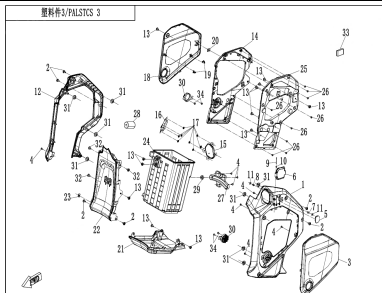
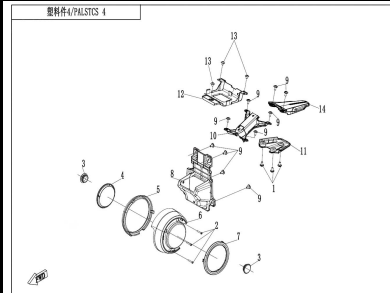
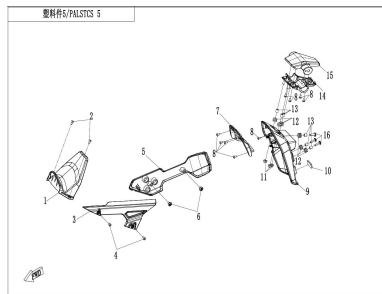
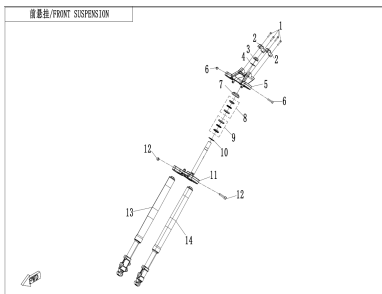
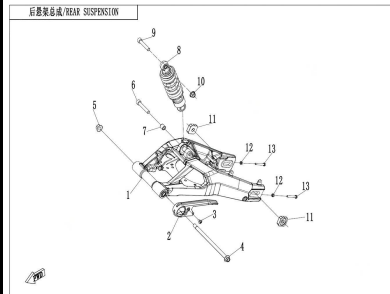
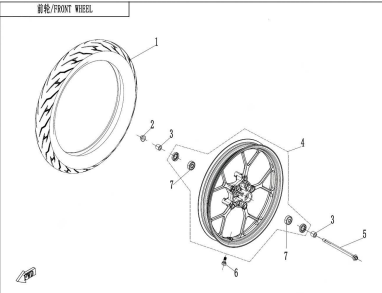
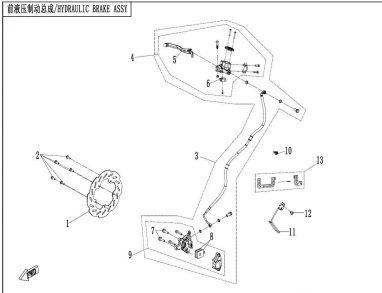
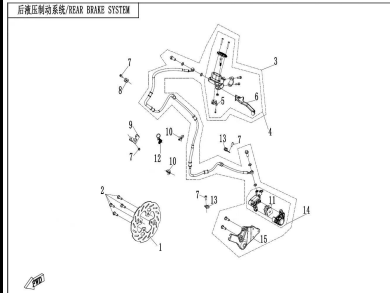
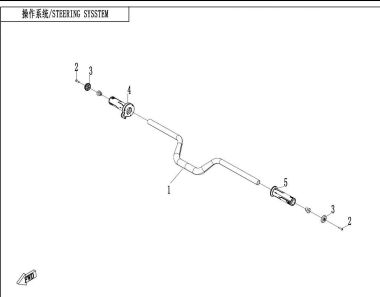
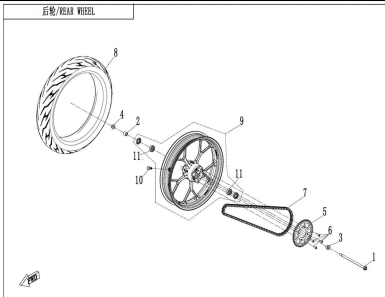
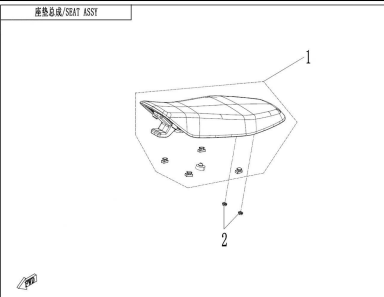
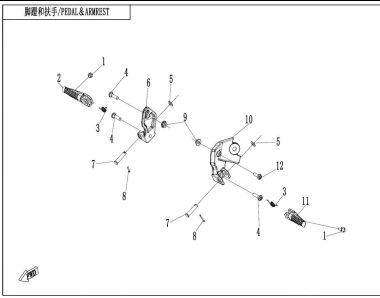
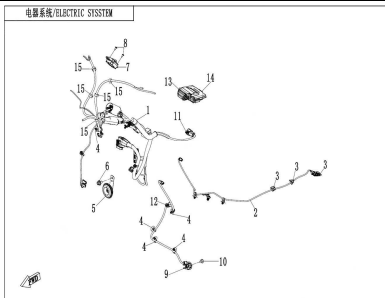
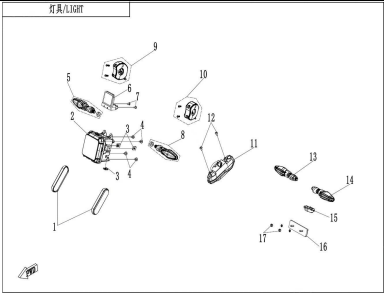
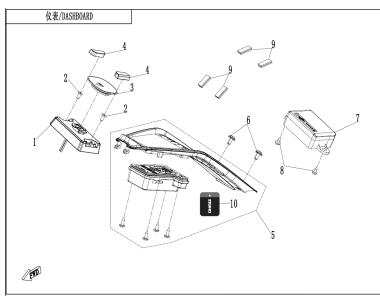
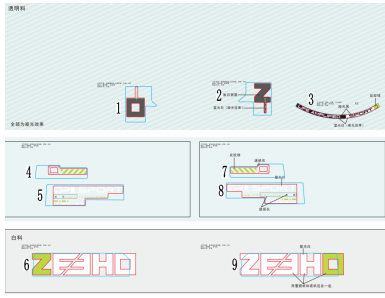
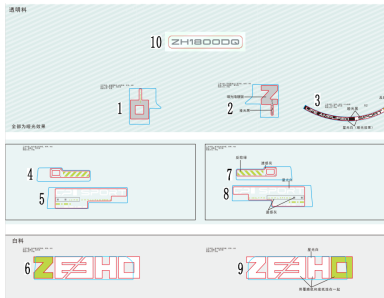
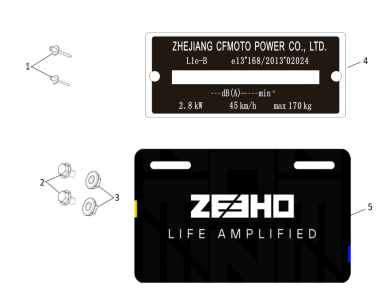
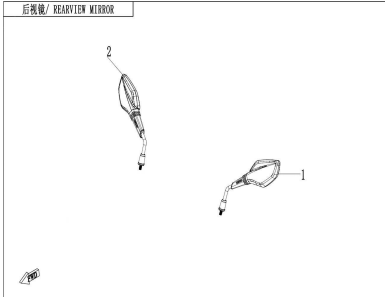

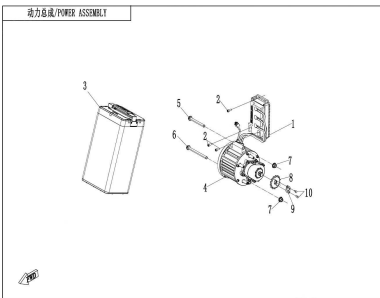
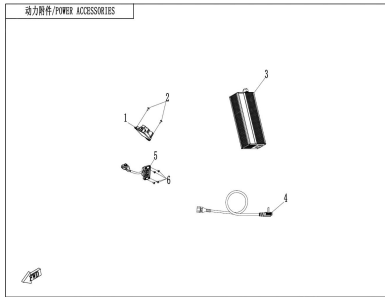


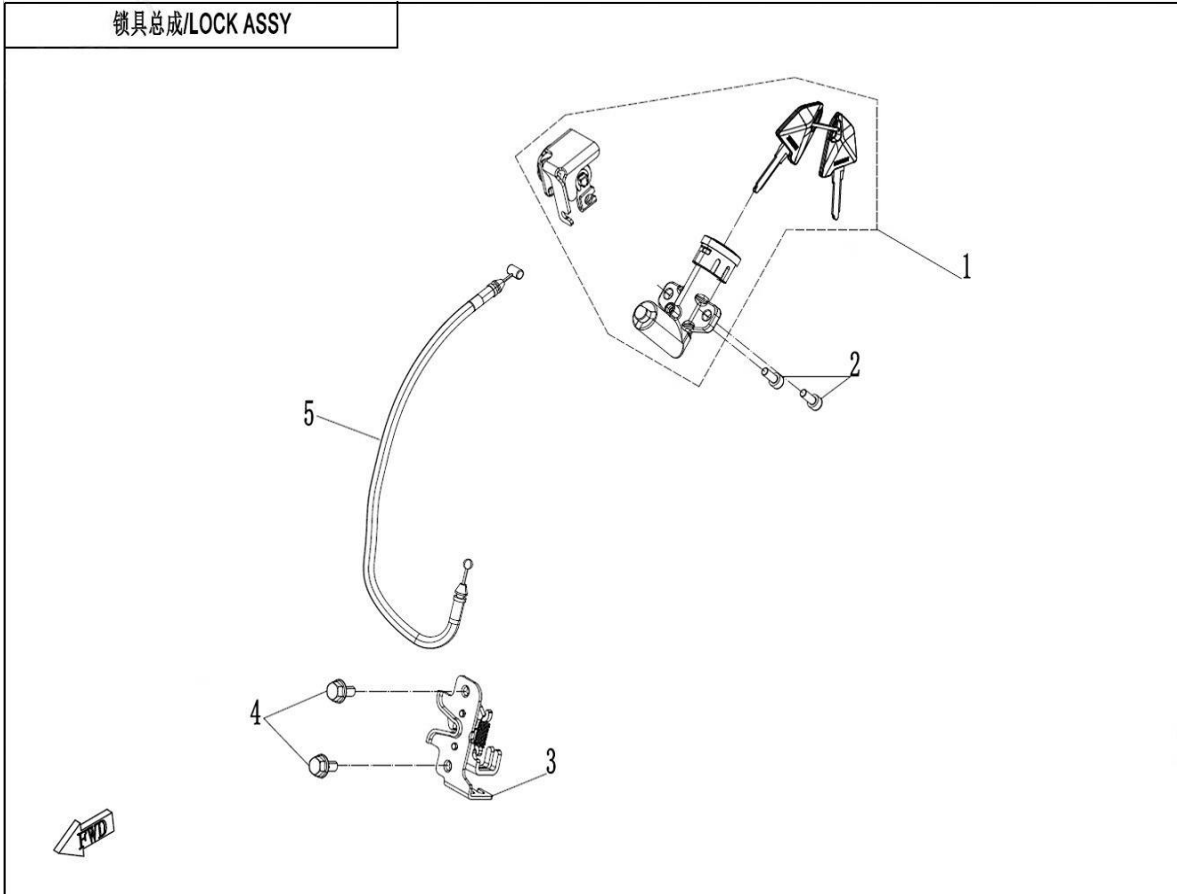
CONTENTS—FRAME GROUP

<p>F01</p> <p style="text-align: center;">LOCK ASSY</p> 	<p>F03</p> <p style="text-align: center;">FRAME</p> 	<p>F04-1</p> <p style="text-align: center;">PLASTICS I</p> 
<p>F04-2</p> <p style="text-align: center;">PLASTICS II</p> 	<p>F04-1</p> <p style="text-align: center;">PLASTICS</p> 	<p>F04-2</p> <p style="text-align: center;">PLASTICS II</p> 
<p>F04-5</p> <p style="text-align: center;">PLASTICS V</p> 	<p>F05</p> <p style="text-align: center;">FRONT SUSPENSION</p> 	<p>F06</p> <p style="text-align: center;">REAR SUSPENSION</p> 
<p>F07</p> <p style="text-align: center;">FRONT WHEEL</p> 	<p>F08</p> <p style="text-align: center;">HYDRAULIC BRAKE ASSY</p> 	<p>F09</p> <p style="text-align: center;">REAR BRAKE SYSTEM</p> 

CONTENTS—FRAME GROUP

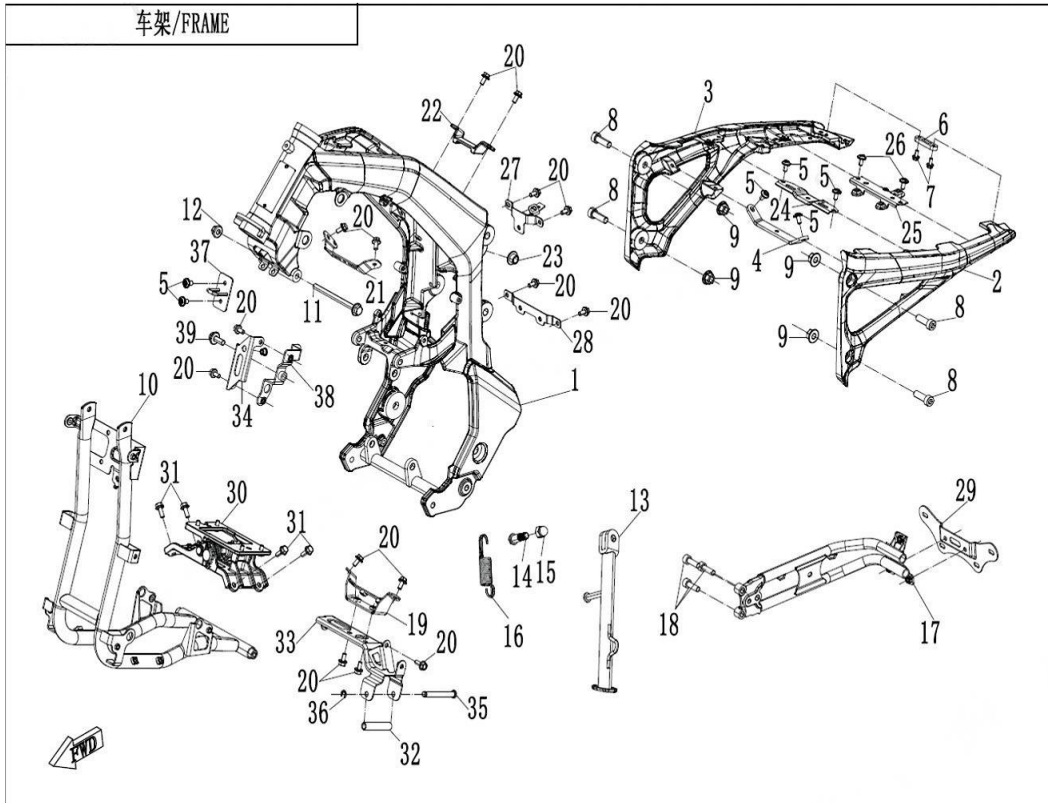
<p>F10</p> <p>STEERING SYSTEM</p> <p>操作系統/STEERING SYSTEM</p> 	<p>F11</p> <p>REAR WHEEL</p> <p>后轮/REAR WHEEL</p> 	<p>F13</p> <p>SEAT ASSY</p> <p>座椅总成/SEAT ASSY</p> 
<p>F14</p> <p>PEDAL & ARMREST</p> <p>脚踏和扶手/PEDAL & ARMREST</p> 	<p>F15</p> <p>ELECTRIC SYSTEM</p> <p>电器系统/ELECTRIC SYSTEM</p> 	<p>F16</p> <p>LIGHT</p> <p>灯具/LIGHT</p> 
<p>F17</p> <p>DASHBOARD</p> <p>仪表/DASHBOARD</p> 	<p>F19-1-A</p> <p>DECAL (MAUD SPIRIT BLACK)</p> <p>贴纸</p> 	<p>F19-1-B DECAL</p> <p>(MATTE MERCURY SILVER)</p> <p>贴纸</p> 
<p>F19-2</p> <p>VIN PLATE & LICENSE PLATE</p> 	<p>F20</p> <p>TOOLS</p> <p>后视镜/REARVIEW MIRROR</p> 	<p>F38</p> <p>OWNER'S MANUAL</p> 
<p>F43</p> <p>POWER ASSEMBLY</p> <p>动力总成/POWER ASSEMBLY</p> 	<p>F44</p> <p>POWER ACCESSORIES</p> <p>动力附件/POWER ACCESSORIES</p> 	

锁具总成/LOCK ASSY



F01 LOCK ASSY

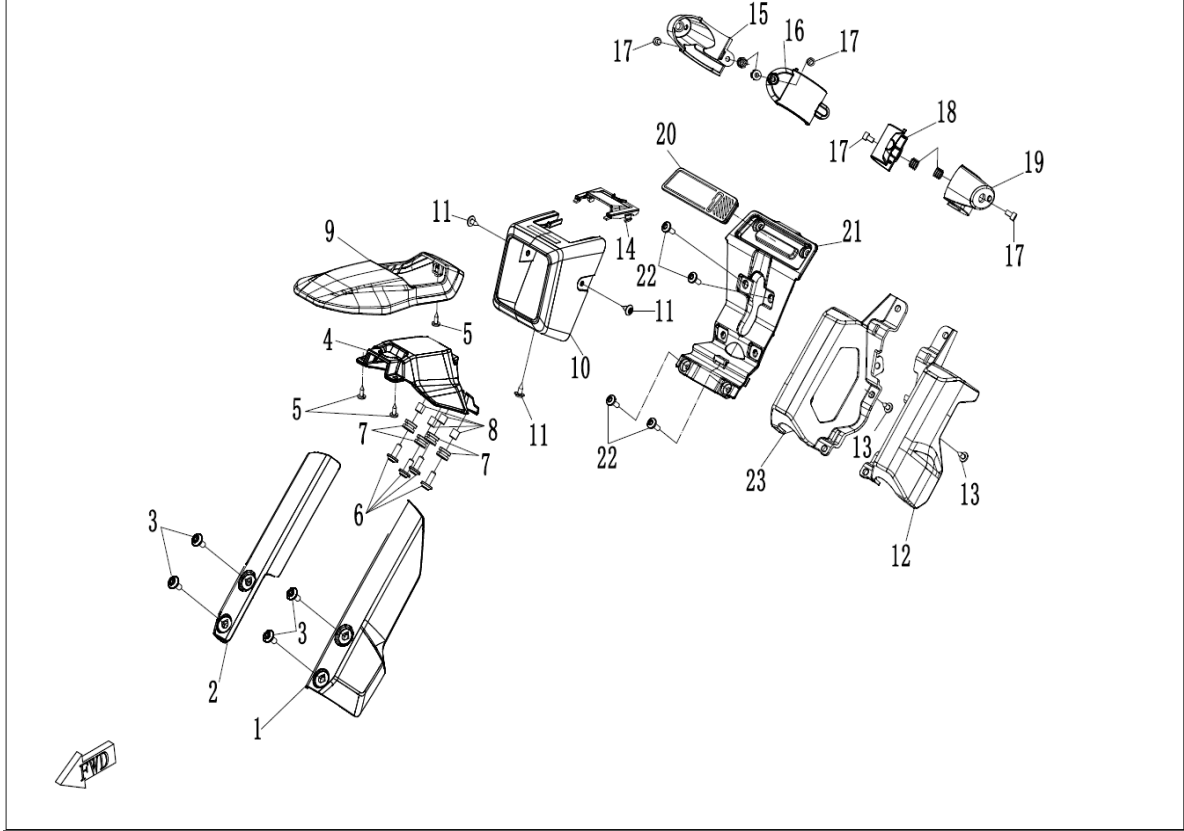
Item No.	Parts Number	Parts Name(EN)	Qty	Specification
01	EG5V-011000-1000	LOCK KIT	1	
02	30102-060012810	SCREW	2	M6×12
03	EB8V-010900-1000-M1	DOUBLE CABLE LOCK SEAT	1	
04	30006-060010810	BOLT	2	M6×10
05	EG5V-012100-1000	CABLE	1	



F03 FRAME

Item No.	Parts Number	Parts Name(EN)	Qty	Specification
01	EG4V-031000-1002-0VV00	FRONT FRAME ASSY	1	MATTE ELECTRO SILVER
01	EG4V-031000-1002-0BP00	FRONT FRAME ASSY	1	MAUD SPIRIT BLACK
02	EG5V-032001-1000-0BP00	LH REAR FRAME	1	MAUD SPIRIT BLACK
02	EG5V-032001-1000-0W600	LH REAR FRAME	1	MATTE MERCURY SILVER/GREEN
03	EG5V-032002-1000-0BP00	RH REAR FRAME	1	MAUD SPIRIT BLACK
03	EG5V-032002-1000-0W600	RH REAR FRAME	1	MATTE MERCURY SILVER/GREEN
04	E10V-032003-1000	BCM BRACKET	1	
05	6WWW-046702-5000	INNER HEX SCREW M6x12	6	
06	E10V-032004-1000	REAR FRAME CONNECTING PLATE	1	
07	30006-050010810	BOLT	2	M5x10
08	30102-102030810	SCREW	4	M10x1.25x30@TRIVALENT CHROMIUM
09	30204-102810	NUT	4	M10x1.25
10	EG5V-033000-1000	FRAME BASE ASSY	1	
11	30006-080105810	BOLT M8x105	1	M8x105
12	30204-080810	LOCK NUT	1	M8
13	EG5V-035000-1000	SIDE BRACKET ASSY	1	
14	EG4V-030001-1000	SIDE BRACKET BOLT	1	
15	30206-102670	NUT	1	M10X1.25-BLACK ZINC
16	FB6V-030120-1100	SIDE BRACKET SPRING ASSY	1	
17	EG4V-036000-1000	FENDER BRACKET	1	
18	30102-080025870	SCREW	3	M8x25@BLACK ZINC-PLATED
19	EG5V-030300-1000	BATTERY FRONT PRESS PLATE ASSY	1	
20	30006-060012870	BOLT	15	M6x12
21	EG5V-030400-1000	BATTERY REAR PRESS PLATE ASSY	1	
22	EG4V-030005-1000	FRONT SUPPORT,SEAT	1	
23	EG4V-030004-1000	SHOCK ABSORBER BUSHING	1	
24	EG4V-030006-1000	MIDDLE SUPPORT,SEAT	1	
25	EG4V-030800-1000	REAR SUPPORT ASSY,SEAT	1	
26	FA8V-046702-1000	M6X7 SCREW	2	
27	EG4V-030600-1000	TRONIC CONTROL UPPER BRACKET	1	
28	EG4V-030700-1000	TRONIC CONTROL LOWER BRACKET	1	
29	EG5V-030009-1000	REAR LICENSE BRACKET	1	
30	EG5V-030900-1000	HINGE BRACKET ASSY	1	
31	30006-060016870	BOLT	4	M6x16
32	EG5V-030200-1000	ROLLER SPACER BUSHING	1	
33	EG5V-030100-1000	ROLLER BRACKET ASSY	1	
34	EG5V-030110-1000	LIMIT BRACKET ASSY	1	
35	EG5V-030601-1000	PIN SHAFT	1	
36	30802-00605	CIRCLIP	1	6
37	EG5V-030003-1000	BUCKLE	1	
38	EG5V-030500-1000	AIR SWITCH BRACKET ASSY	1	
39	30006-080020870	BOLT	1	M8x20

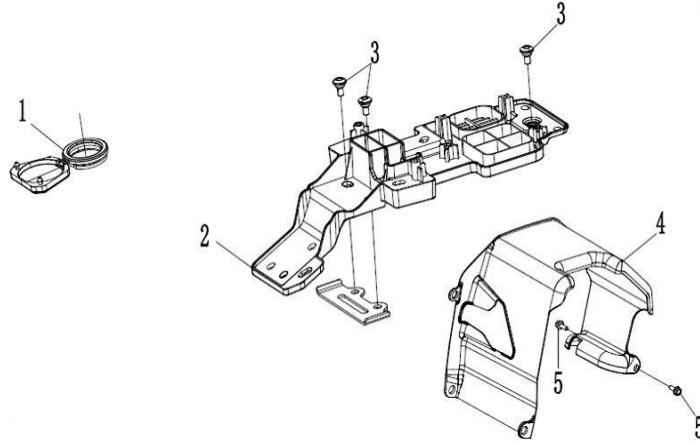
塑料件1/PALSTCS 1



F04-1 PLASTICS I

Item No.	Parts Number	Parts Name(EN)	Qty	Specification
1	EG4V-040101-1002-0PA00	FRONT SHOCK ABSORBER LOWER LH DECO PLATE	1	SILVER
1	EG4V-040101-1002-0PG00	FRONT SHOCK ABSORBER LOWER LH DECO PLATE	1	JET BLACK
2	EG4V-040102-1002-0PA00	FRONT SHOCK ABSORBER LOWER RH DECO PLATE	1	SILVER
2	EG4V-040102-1002-0PG00	FRONT SHOCK ABSORBER LOWER RH DECO PLATE	1	JET BLACK
3	6WWV-046602-5000	INNER HEX STEPPED SCREW M6x14	4	
4	EG4V-042200-1001-0BM00	FRONT FENDER REAR PART	1	
4	EG4V-042200-1001-0VP00	FRONT FENDER REAR PART	1	MATTE PAINTED ULTRA SILVER
5	30110-420130070	SELF-TAPPING SCREW	3	ST4.2x13@BLACK ZINC-PLATED
6	6WWV-046802-5000	INNER HEX SCREW M6x16	4	
7	6KM#-040302-8000	CUSHION SLEEVE	4	
8	6090-040303	BUSHING	4	
9	EG4V-042100-1001	FRONT FENDER FRONT PART	1	
10	EG4V-040301-1001-0BM00	HEADLIGHT PANEL	1	NEBULA BLACK
11	5BWV-040015-5000	INNER HEX SLEF-TAPPING SCREW ST4.8x13	3	ST4.8x13
12	EG4V-040201-1001-0VP00	FRONT SHOCK ABSORBER LH UPPER DECO PLATE	1	MATTE SILVER
12	EG4V-040201-1001-0BM00	FRONT SHOCK ABSORBER LH UPPER DECO PLATE	1	NEBULA BLACK
13	30110-481130070	SCREW	2	
14	EG4V-040402-1001-0BM00	HEADLIGHT UPPER DECO PLATE	1	NEBULA BLACK
15	EG4V-040406-1001	RH TURN LIGHT RH BRACKET	1	
16	EG4V-040405-1001	RH TURN LIGHT LH BRACKET	1	
17	30102-050008870	SCREW	4	M5x8@BLACK ZINC-PLATED
18	EG4V-040404-1001	LH TURN LIGHT RH BRACKET	1	
19	EG4V-040403-1001	LH TURN LIGHT LH BRACKET	1	
20	EG4V-040411-1001	HEADLIGHT BRACKET DECO COVER	1	
21	EG4V-040401-1001	HEADLIGHT BRACKET	1	
22	6WWV-047102-5000	INNER HEX SCREW M5x14	4	
23	EG4V-040202-1001-0VP00	FRONT SHOCK ABSORBER RH UPPER DECO PLATE	1	MATTE SILVER
23	EG4V-040202-1001-0BM00	FRONT SHOCK ABSORBER RH UPPER DECO PLATE	1	NEBULA BLACK

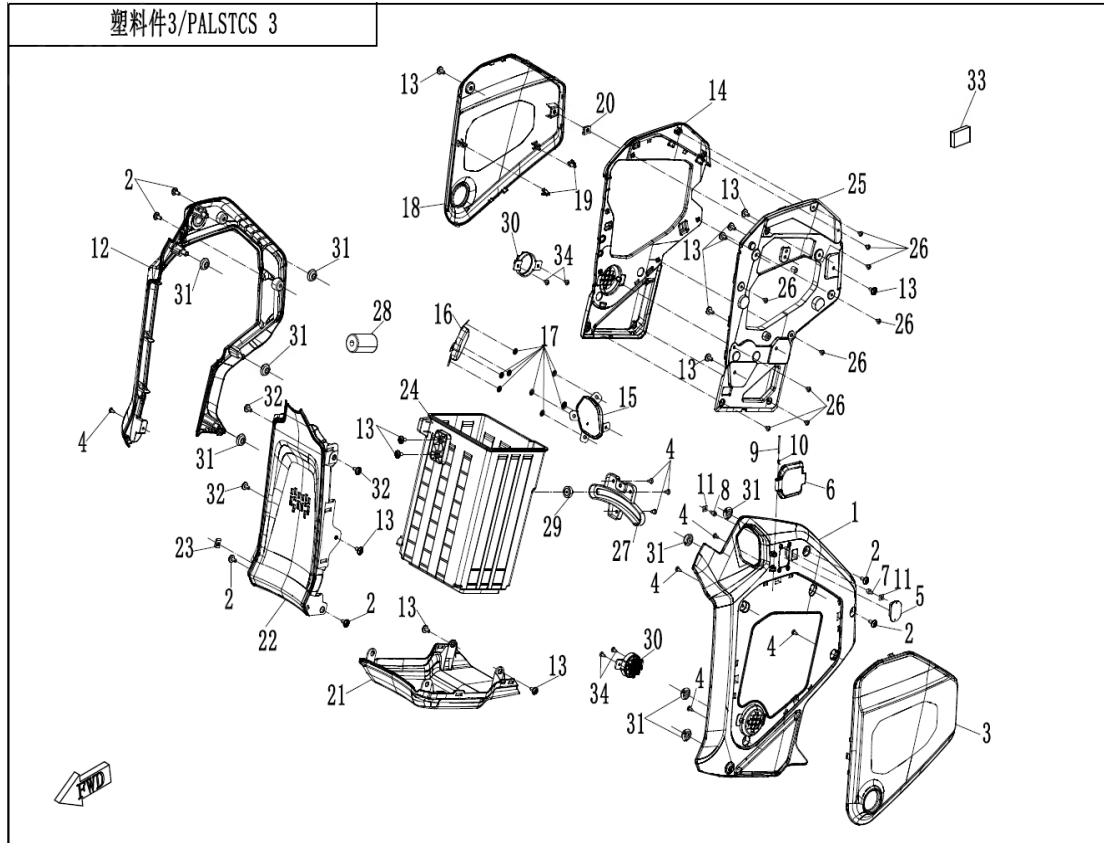
塑料件2/PALSTCS 2



F04-2 PLASTICS II

Item No.	Parts Number	Parts Name(EN)	Qty	Specification
01	EG4V-040808-1000	STEM LOCK RUBBER RING	1	
02	EG4V-040901-1002	ELECTRICAL PARTS BRACKET	1	
03	6WWV-046502-5000	STEPPED SCREW M5	3	
04	EG5V-040216-1000	DECO PLATE	1	
04	EG5V-040216-1001	DECO PLATE	1	
05	30006-060016870	BOLT	2	M6×16

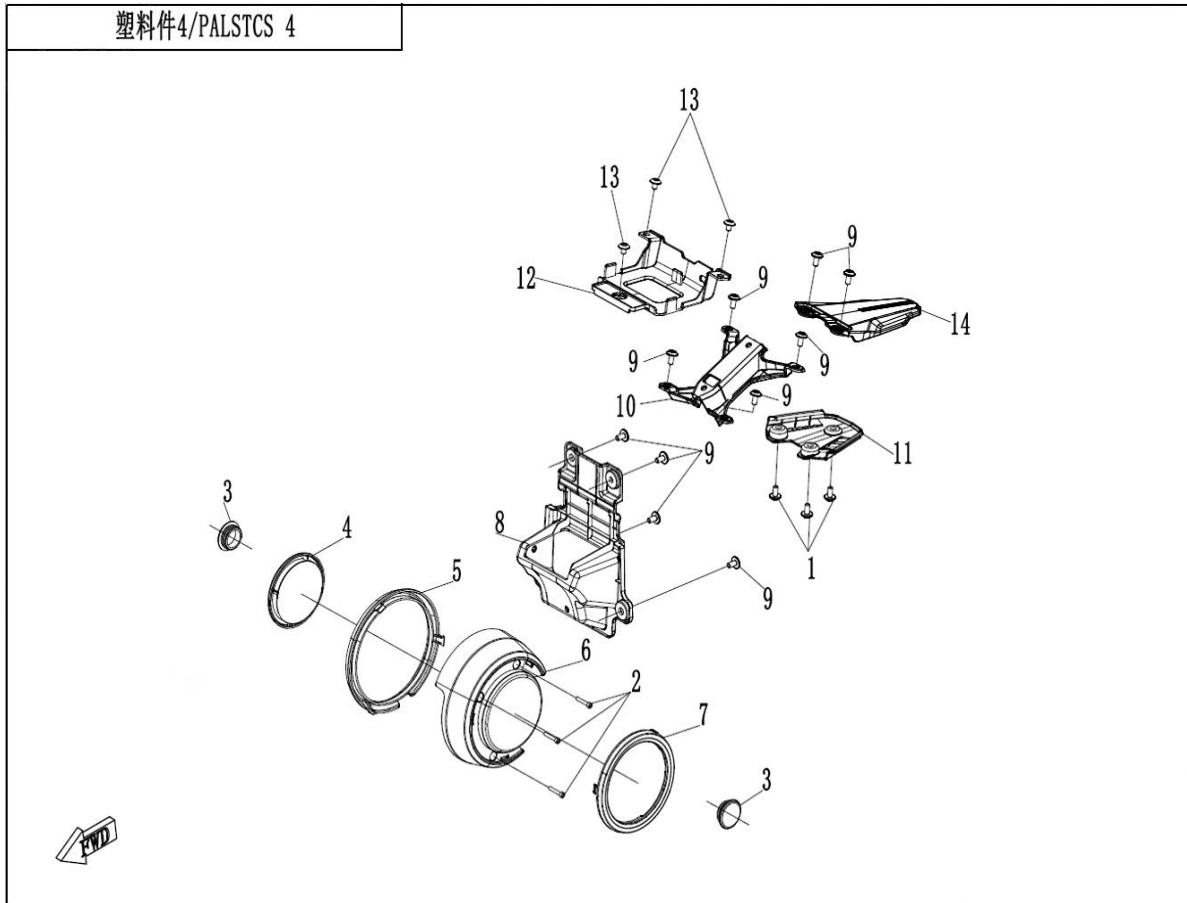
塑料件3/PALSTCS 3



F04-3 PLASTICS III

Item No.	Parts Number	Parts Name(EN)	Qty	Specification
01	EG5V-040201-1000	BATTERY BOX LH PANEL	1	
02	6WWV-046602-5000	INNER HEX STEPPED SCREW M6x14	6	
03	EG5V-040202-1000	BATTERY BOX LH DECO PLATE	1	
04	30110-420130070	SELF-TAPPING SCREW	8	ST4.2x13@BLACK ZINC-PLATED
05	EG5V-040217-1000	CHARGING PORT FLIP RUBBER	1	
06	EG5V-040204-1000	CHARGING PORT FLIP	1	
07	6NTG-049060	MAGNETIC BOLT ASSY 1	1	
08	6NTG-049070	MAGNETIC BOLT ASSY 2	1	
09	EG5V-046002-1000	PIN SHAFT	1	
10	EG5V-046003-1000	SPRING	1	
11	6KJO-040402	NUT M5	2	M5
12	EG5V-040205-1000	BATTERY BOX RH PANEL	1	
13	6WWV-046702-5000	INNER HEX SCREW M6x12	12	
14	EG5V-040207-1000	BATTERY BOX RH MIDDLE PANEL	1	
14	EG5V-040207-1001	BATTERY BOX MIDDLE RH PANEL	1	
15	EG5V-040206-1000	LH WIRE MESH	1	
16	EG5V-040208-1000	RH WIRE MESH	1	
17	EG5V-046004-1000	WIRE MESH CIRCLIP	8	
18	EG5V-040209-1000	BATTERY BOX RH DECO PLATE	1	
19	8080-000001	CLASP	2	
20	8030-040800-00001	NUT CLIP M6	1	M6
21	EG5V-042061-1000	BASE PLATE	1	
22	EG5V-042062-1000	FRONT PANEL	1	
23	8010-000002	CLAMP ST4.2	1	ST4.2
24	EG5V-042041-1000	BATTERY BOX	1	
24	EG5V-042041-1001	BATTERY BOX	1	
25	EG5V-040211-1000	INNER PLATE	1	
25	EG5V-040211-1001	INNER PLATE	1	
26	30110-420095070	SELF-TAPPING SCREW	9	ST4.2x9.5
27	EG5V-040212-1000	LIMIT BLOCK	1	
28	EG5V-040214-1000	ROLLER	1	
29	EG5V-040213-1000	RUBBER MAT	1	
30	EG5V-040215-1000	DECO PART	2	
31	5BY0-040010	RUBBER SLEEVE	8	
32	6WWV-046802-5000	INNER HEX SCREW M6x16	3	
33	6KM#-040066-8001	SPONGE STRAP	4	
34	30118-420095010	SELF-TAPPING SCREW	4	ST4.2x9.5@TRIVALENT CHROMIUM

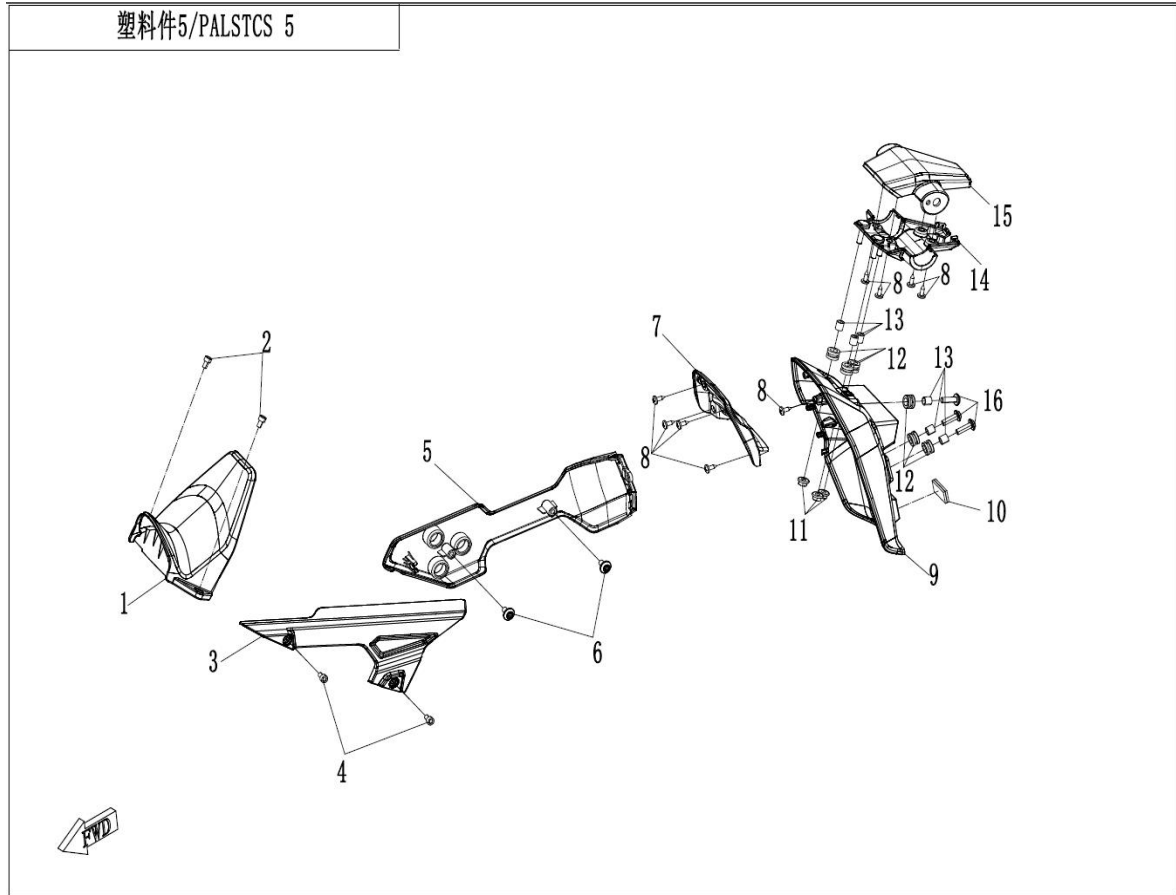
塑料件4/PALSTCS 4



F04-4 PLASTICS IV

Item No.	Parts Number	Parts Name(EN)	Qty	Specification
01	6WVV-046802-5000	INNER HEX SCREW M6x16	3	
02	30102-050030860	SCREW	3	M5x30
03	EG4V-043002-1000	BOLT PLUG	2	
04	EG4V-041605-1001-0DM00	MOTOR RH DECO GUARD	1	MATTE BLACK+YELLOW
04	EG4V-041605-1001-0DQ00	MOTOR RH DECO GUARD	1	MATTE BLACK+NEBULA BLACK
05	EG4V-041604-1001-0BM00	MOTOR RH DECO PLATE	1	NEBULA BLACK
06	EG4V-041601-1001	MOTOR LH DECO GUARD	1	
07	EG4V-041603-1001-0BM00	MOTOR LH DECO PLATE	1	NEBULA BLACK
08	EG4V-041201-1002	FRAME REAR PANEL	1	
09	6WVV-046702-5000	INNER HEX SCREW M6x12	10	
10	EG4V-041401-1001	TAIL LIGHT BRACKET	1	
11	EG4V-041202-1001	REAR FRAME LOWER PANEL	1	
12	EG4V-041101-1001	BCM BRACKET	1	
13	6100-120005	INNER HEX SCREW M6x8	3	M6x8
14	EG4V-041501-1001	TAIL DECO PLATE	1	

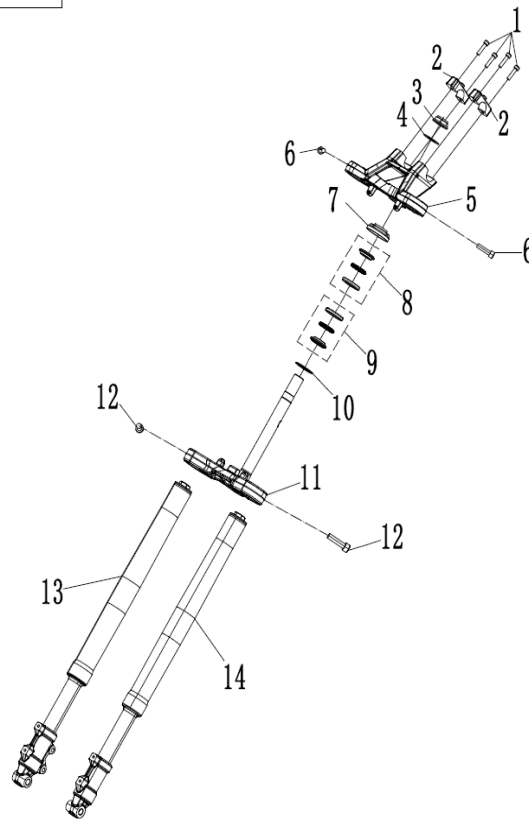
塑料件5/PALSTCS 5



F04-5 PLASTICS V

Item No.	Parts Number	Parts Name(EN)	Qty	Specification
01	EG4V-041701-1001	REAR INNER FENDER	1	
02	30102-050012870	SCREW	2	M5x12@BLACK ZINC-PLATED
03	EG4V-041801-1001	CHAIN GUARD	1	
04	30102-050008870	SCREW	2	M5x8@BLACK ZINC-PLATED
05	EG4V-041901-1001	REAR FENDER BRACKET	1	
06	6WVVV-046802-5000	INNER HEX SCREW M6x16	2	
07	EG4V-042002-1001	REAR FENDER INNER PLATE	1	
08	30110-420130070	SELF-TAPPING SCREW	9	ST4.2x13@BLACK ZINC-PLATED
09	EG4V-042001-1001	REAR FENDER	1	
10	6NT1-041510	BUCKLE ASSY	2	
11	30202-060110	NUT	3	M6
12	6KM#-040302-8000	CUSHION SLEEVE	6	
13	6090-040303	BUSHING	6	
14	6FIV-041512-7100	LICENSE LIGHT LOWER COVER	1	
15	6FIV-041511-7100	LICENSE LIGHT UPPER COVER	1	
16	A000-040703	INNER HEX SCREW	3	M6x20

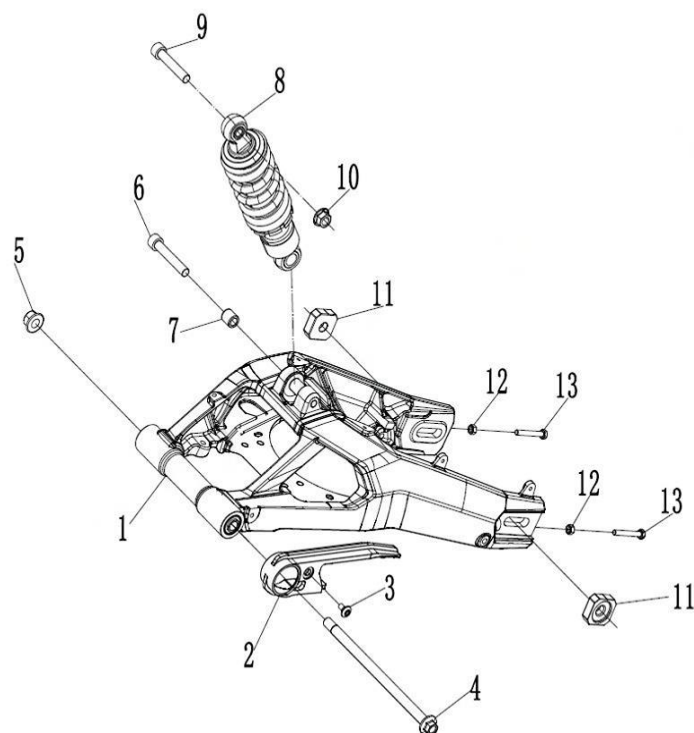
前悬挂/Front Suspension



F05 FRONT SUSPENSION

Item No.	Parts Number	Parts Name(EN)	Qty	Specification
01	30102-060020870	INNER HEX SCREW M6×20	4	M6×20
02	EG4V-100004-1001	UPPER COVER,HANDLEBAR	2	
03	EG4V-050004-1000	LOCK NUT	1	
04	8030-050006	GASKET, UPPER TRIPLE CLAMP	1	
05	EG4V-050001-1001	UPPER TRIPLE CLAMP	1	
06	30102-080030870	SCREW	2	M8×30
07	EG4V-050003-1001	LOCK NUT	1	
08	5280-050100	UPPER STEERING BEARING ASSY	1	
09	5280-050200	LOWER STEERING BEARING ASSY	1	
10	EG4V-050002-1000	CAP	1	
11	EG4V-050300-1001	LOWER TRIPLE CLAMP ASSY	1	
12	30102-102035870	SCREW	2	
13	EG5V-050200-1000-M1	FRONT RH SHOCK ABSORBER	1	
14	EG5V-050100-1000-M1	FRONT LH SHOCK ABSORBER	1	

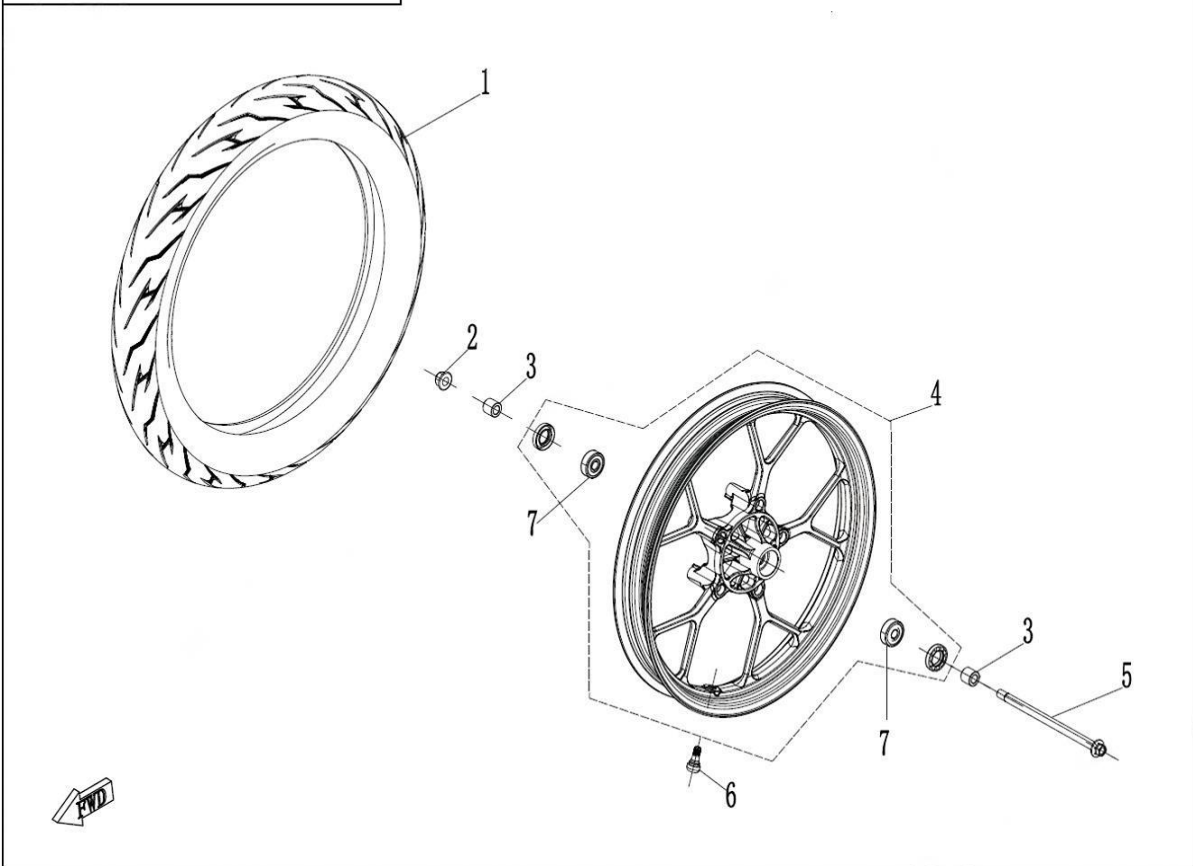
后悬架总成/REAR SUSPENSION



F06 REAR SUSPENSION

Item No.	Parts Number	Parts Name(EN)	Qty	Specification
01	EG4V-061000-1001	REAR FORK ASSY	1	
02	EG4V-065000-1000	CHAIN GUARD	1	
03	6WWV-046602-5000	INNER HEX STEPPED SCREW M6x14	1	
04	EG4V-060001-1000	REAR FORK SHAFT	1	
05	30204-122810	NUT	1	M12×1.25
06	30102-102060170	SCREW	1	
07	EG4V-060002-1000	REAR SHOCK ABSORBER BUSHING	1	
08	EG5V-062000-1000	REAR SHOCK ABSORBER	1	
09	E10V-050003-1000	BOLT	1	
10	30218-102170	HEX FLANGE NUT	1	
11	EG4V-064000-1000	ADJUSTING BLOCK	2	
12	30200-060700	NUT	2	
13	30004-0600457S0	BOLT	2	

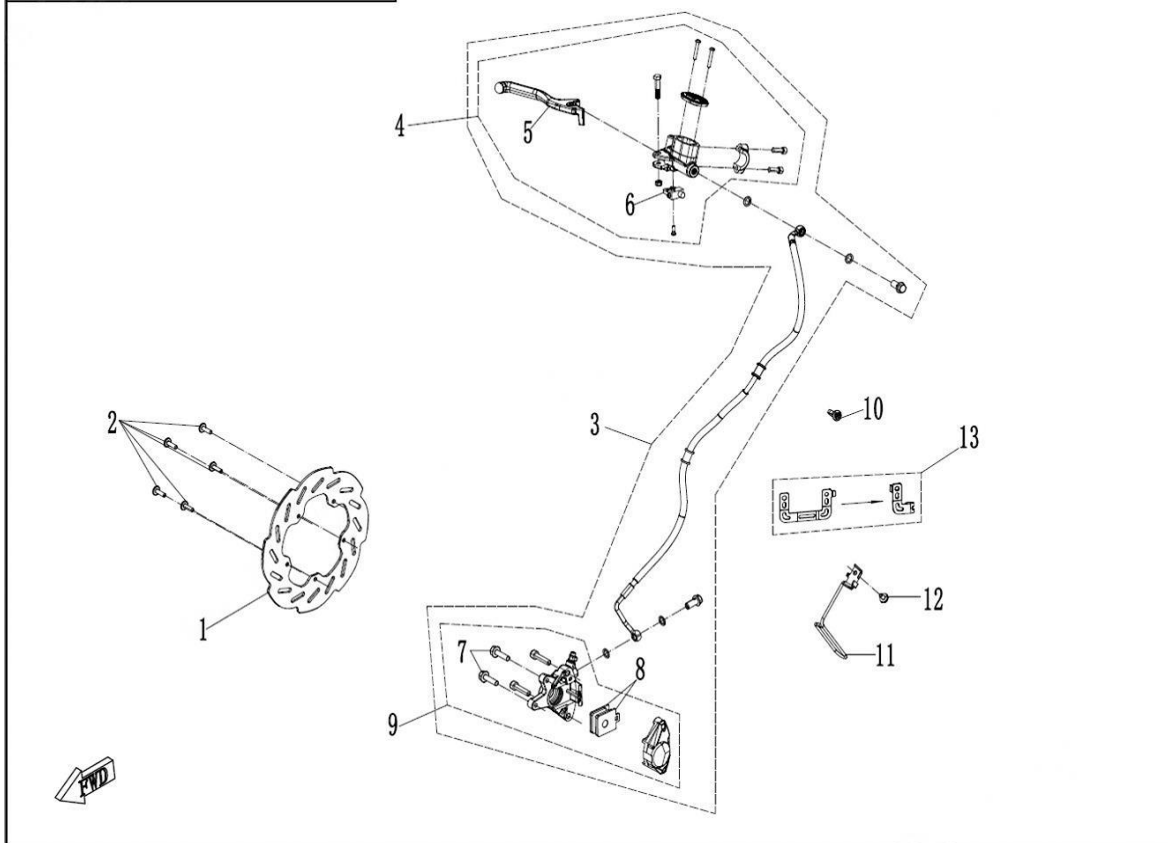
前轮/Front Wheel



F07 FRONT WHEEL

Item No.	Parts Number	Parts Name(EN)	Qty	Specification
01	30705-1789	TIRE	1	
02	30204-122810	NUT	1	M12×1.25
03	EG4V-070002-1000	FRONT WHEEL SHAFT BUSHING	2	
04	EG4V-071000-1000	FRONT RIM ASSY	1	
05	EG4V-070001-1000	FRONT WHEEL SHAFT	1	
06	5190-070030-1000	VALVE, INFLATION	1	
07	EG4V-071001-1000-20	BEARING	2	

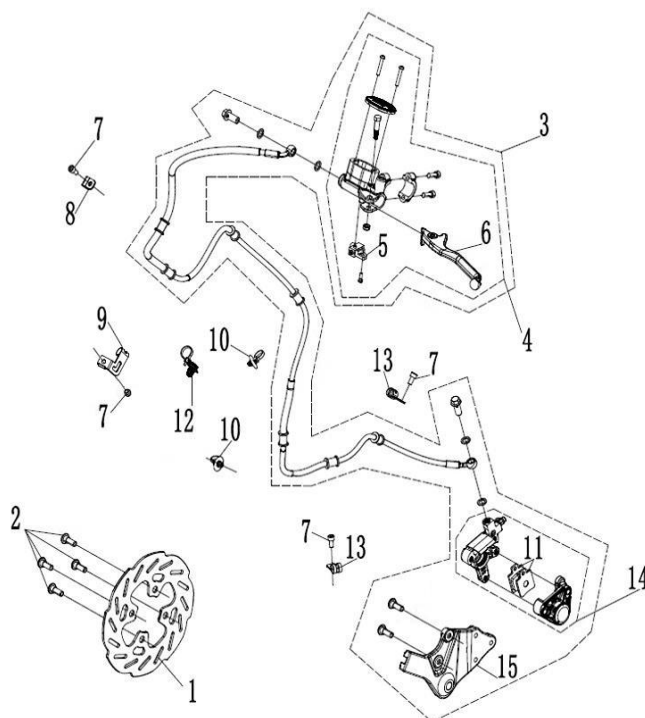
前液压制动总成/HYDRAULIC BRAKE ASSY



F08 HYDRAULIC BRAKE ASSY

Item No.	Parts Number	Parts Name(EN)	Qty	Specification
01	EG4V-080001-1000	FRONT BRAKE DISC	1	
02	A000-040703	INNER HEX SCREW	5	M6x20
03	EG5V-081000-1000	FRONT HYDRAULIC BRAKE	1	
03	EG5V-081000-1001	FRONT HYDRAULIC BRAKE	1	
04	EG4V-081100-1000	FRONT BRAKE HANDLE	1	
05	EG4V-081100-1000-36	BRAKE HANDLE	1	
06	EG4V-081100-1000-32	SWITCH ASSY	1	
07	30006-080030870	BOLT	2	M8x30
08	EG4V-081210-1000	FRONT BRAKE DISC	2	
09	EG4V-081200-1000	FRONT BRAKE CALIPER ASSY	1	
10	801F-100101	TIE BAND	1	
11	EG4V-080012-1001	FRONT BRAKE FIXING HOOK	1	
12	6WWV-046702-5000	INNER HEX SCREW M6x12	1	
13	EG5V-080011-1000	FRONT BRAKE FLUID HOSE CLIP	1	

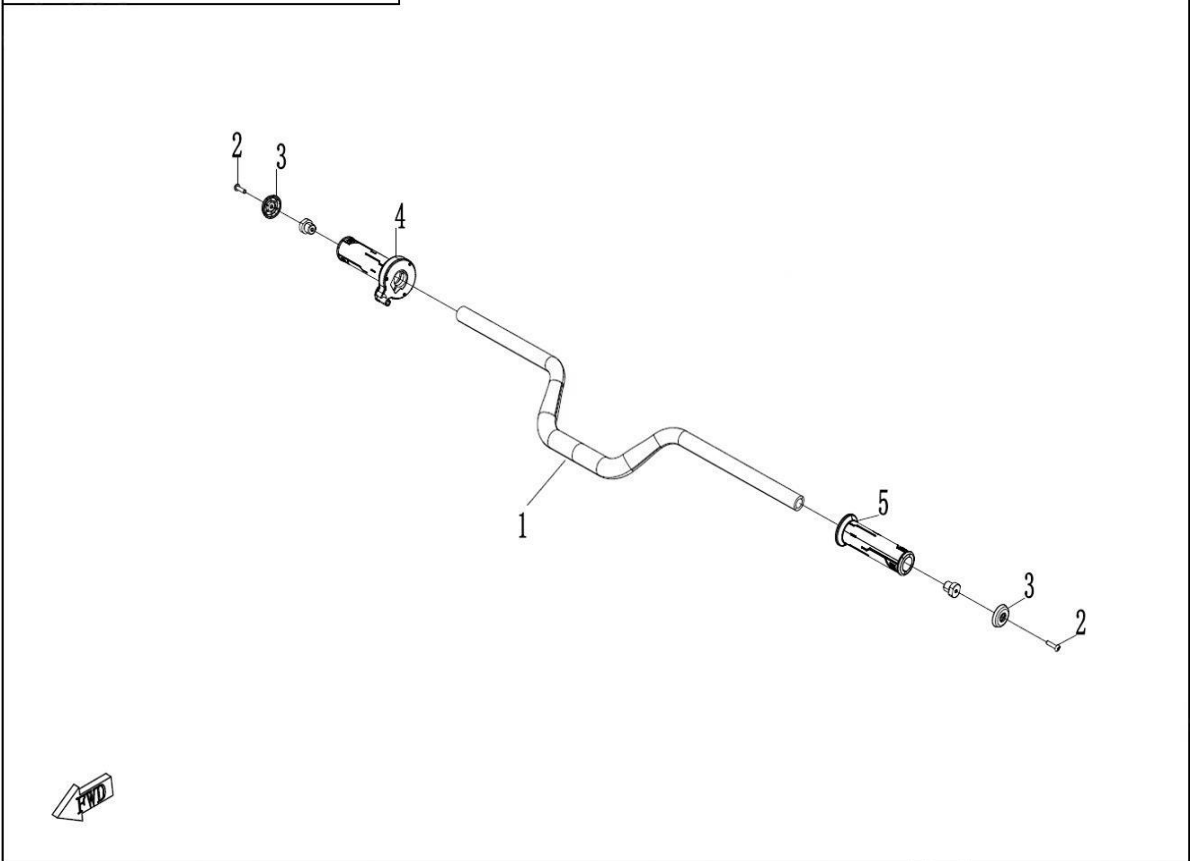
后液压制动系统/REAR BRAKE SYSTEM



F09 REAR BRAKE SYSTEM

Item No.	Parts Number	Parts Name(EN)	Qty	Specification
01	EG4V-090001-1000	REAR BRAKE DISC	1	
02	8010-080118	BRAKE DISC BOLT	4	
03	EG5V-091000-1000	REAR HYDRAULIC BRAKE	1	
03	EG5V-091000-1001	REAR HYDRAULIC BRAKE	1	
04	EG4V-091100-1000	REAR BRAKE HANDLE	1	
05	EG4V-091100-1000-21	SWITCH ASSY	1	
06	EG4V-091100-1000-22	BRAKE HANDLE	1	
07	30102-060012870	SCREW	4	M6×12
08	EG4V-090011-1000	REAR BRAKE FLUID PIPE CLIP 1	1	
09	EG5V-090012-1000	REAR BRAKE FLUID HOSE CLIP 2	1	
09	EG5V-090012-1001	REAR BRAKE FLUID PIPE CLIP 2	1	
10	7030-150005	TIE BAND	2	
11	EG4V-091210-1000	REAR BRAKE DISC	2	
12	CFCV-BBC001-2000-M1	TIE BAND	1	
13	EG4V-090014-1000	REAR BRAKE FLUID PIPE CLIP 4	2	
14	EG4V-091200-1000	REAR BRAKE CALIPER ASSY	1	
15	EG4V-091004-1000	REAR BRAKE CALIPER BRACKET	1	

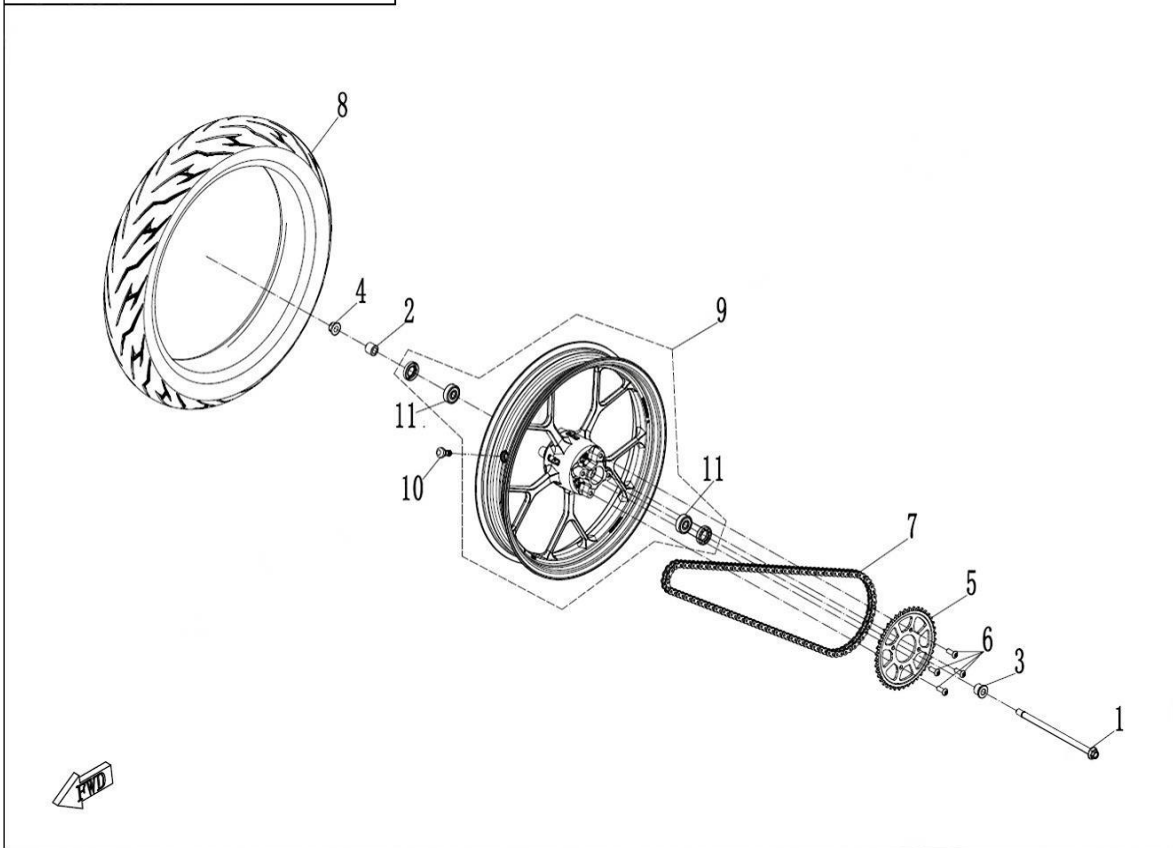
操作系统/STEERING SYSSTEM



F10 STEERING SYSTEM

Item No.	Parts Number	Parts Name(EN)	Qty	Specification
01	EG5V-100001-1000	HANDLEBAR PIPE	1	
02	30121-050020800	BOLT M5x20	2	M5x20
03	FA7V-100002-1001	BALANCER	2	
04	EG4V-100020-1000	E-THROTTLE ASSY	1	
05	EG4V-100010-1000	LH GRIP	1	

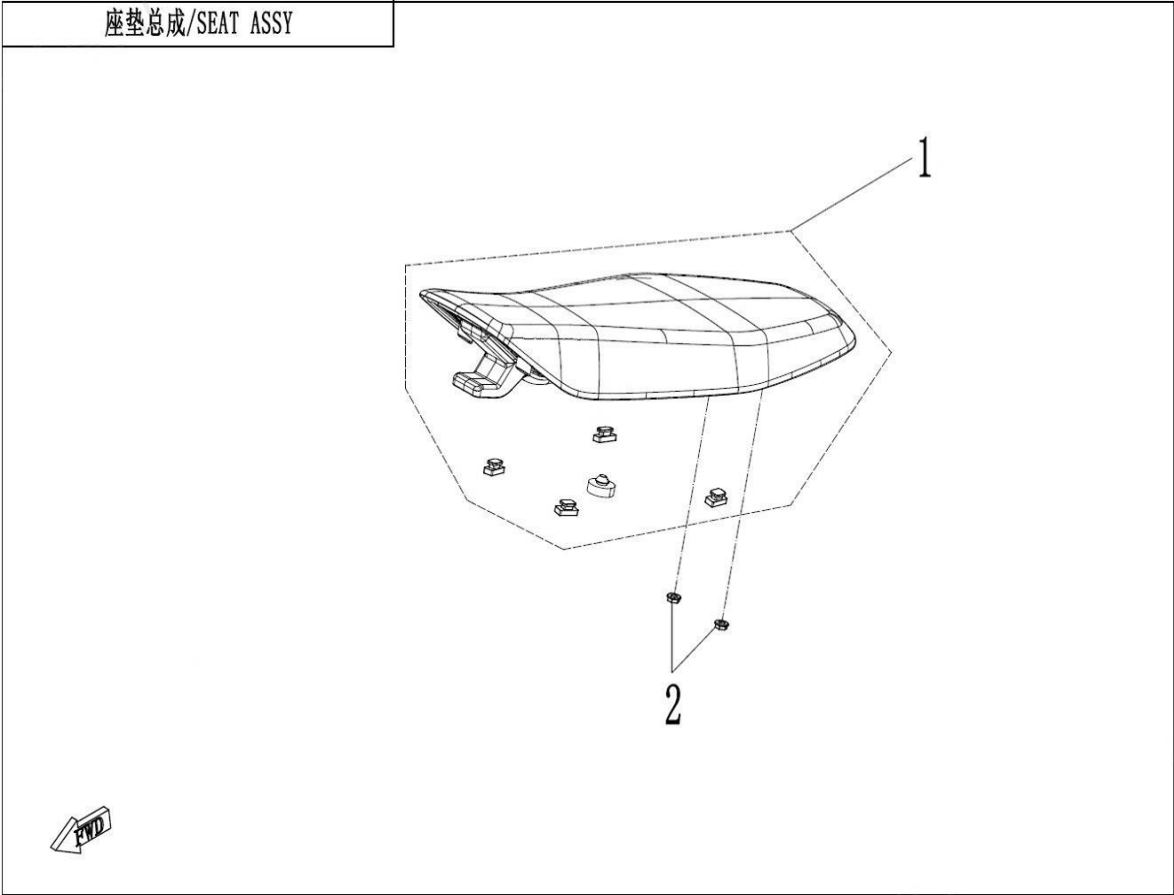
后轮/REAR WHEEL



F11 REAR WHEEL

Item No.	Parts Number	Parts Name(EN)	Qty	Specification
01	EG4V-110001-1000	REAR WHEEL SHAFT	1	
02	EG4V-070002-1000	FRONT WHEEL SHAFT BUSHING	1	
03	EG4V-110002-1000	REAR WHEEL LH SHAFT BUSHING	1	
04	30204-122810	NUT	1	M12×1.25
05	EG4V-110006-1000	DRIVEN SPROCKET	1	
06	6GUV-080001-7000	SCREW	4	
07	3120940	CHAIN	1	
08	30705-1790	TIRE	1	
09	EG4V-111000-1000	REAR RIM ASSY	1	
10	5190-070030-1000	VALVE, INFLATION	1	
11	EG4V-111001-1000-20	BEARING	2	

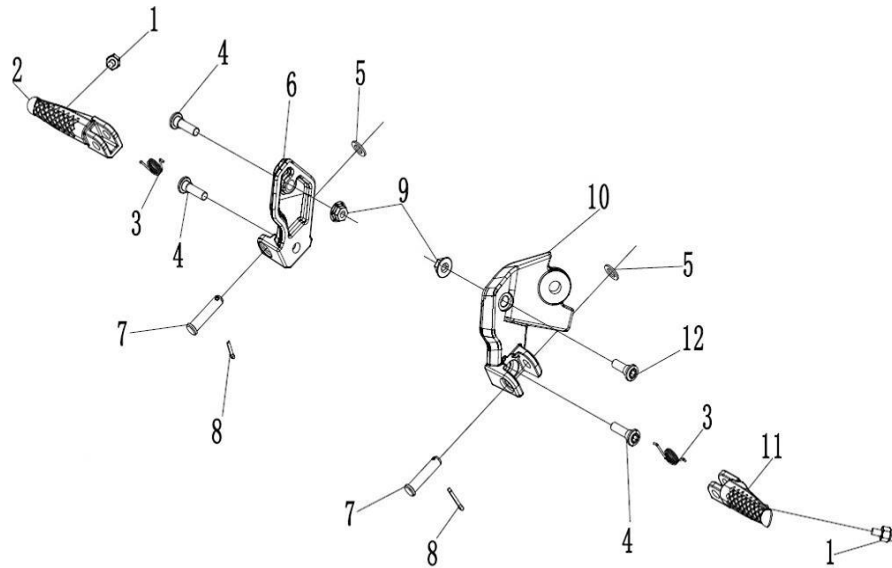
座垫总成/SEAT ASSY



F13 SEAT ASSY

Item No.	Parts Number	Parts Name(EN)	Qty	Specification
01	EG4V-130100-1300	SEAT ASSY	1	
02	30204-060810	NUT	2	M6

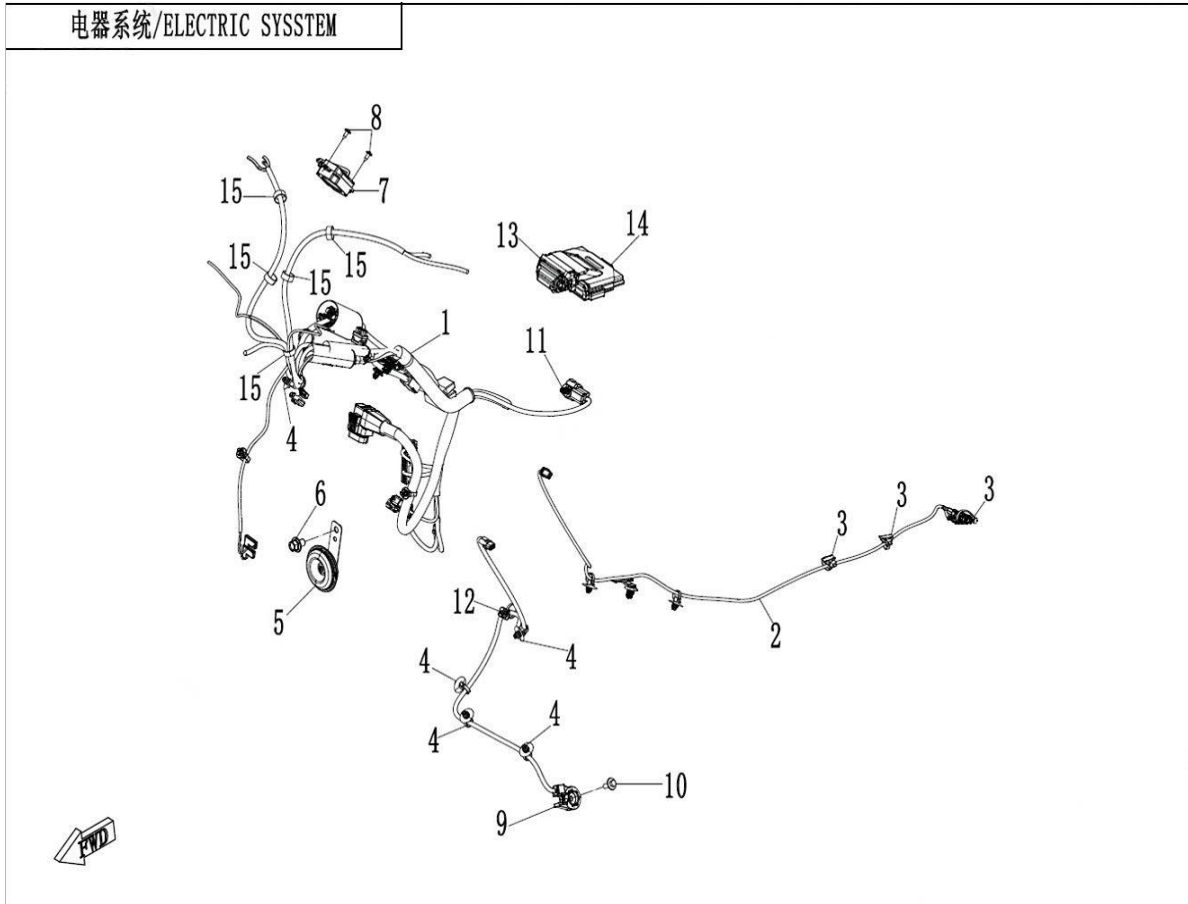
脚蹬和扶手/PEDAL & ARMREST



F14 PEDAL & ARMREST

Item No.	Parts Number	Parts Name(EN)	Qty	Specification
01	A010-140123	LIMIT BOLT	2	
02	6FIV-140900-7100	FRONT RH FOOTREST SEAT	1	
03	A000-140103-20000	SPRING	2	
04	EG4V-140101-1000	STEP BOLT	3	
05	30300-100112	WASHER	2	φ10
06	EG4V-140200-1000	RH FOOTREST BRACKET	1	
07	6WWV-140141-5000	PIN SHAFT	2	
08	30903-0322210	COTTER PIN	2	φ3.2×22
09	30204-080810	LOCK NUT	2	M8
10	EG4V-140100-1000	LH FOOTREST BRACKET	1	
11	6FIV-140800-7100	REAR RH FOOTREST ASSY	1	
12	6GU#-140201-6000	BOLT M8x25	1	

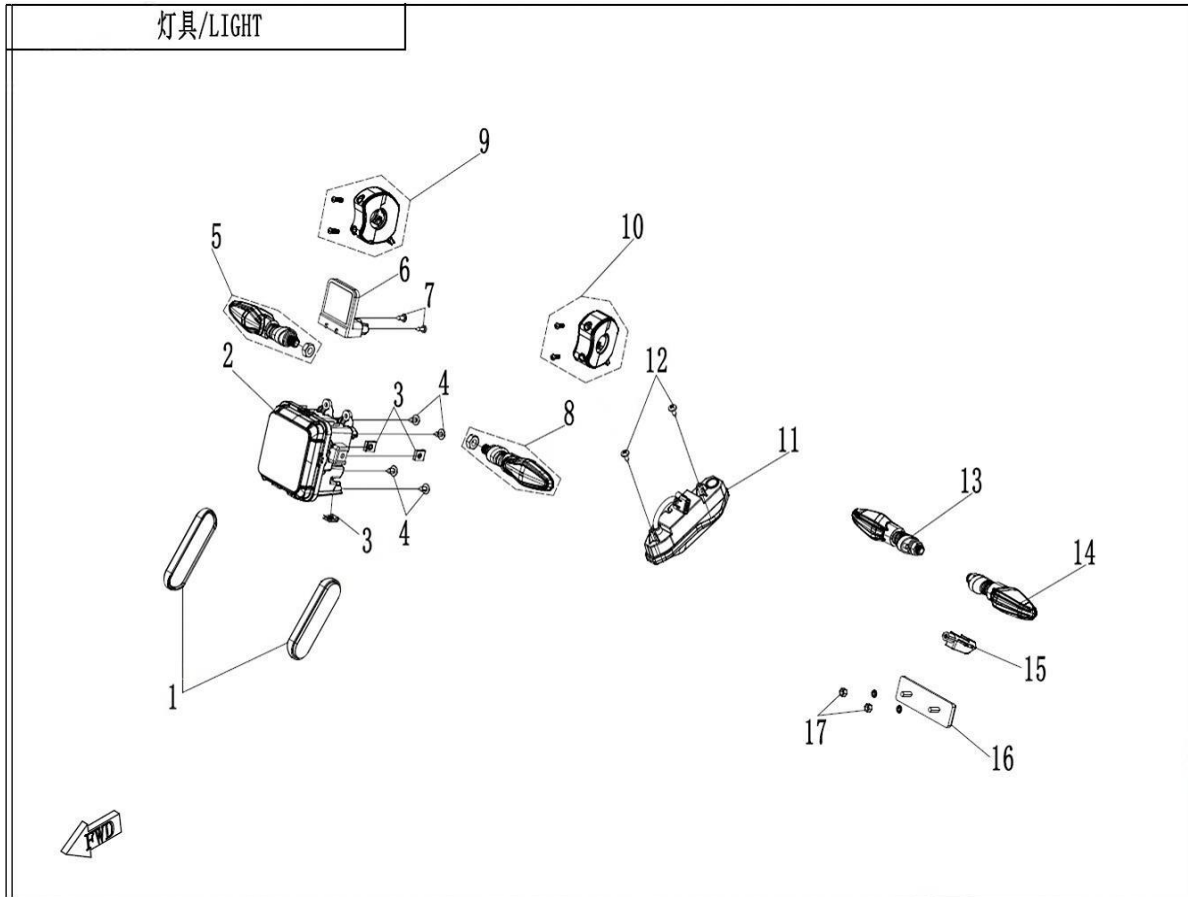
电器系统/ELECTRIC SYSTEM



F15 ELECTRIC SYSTEM

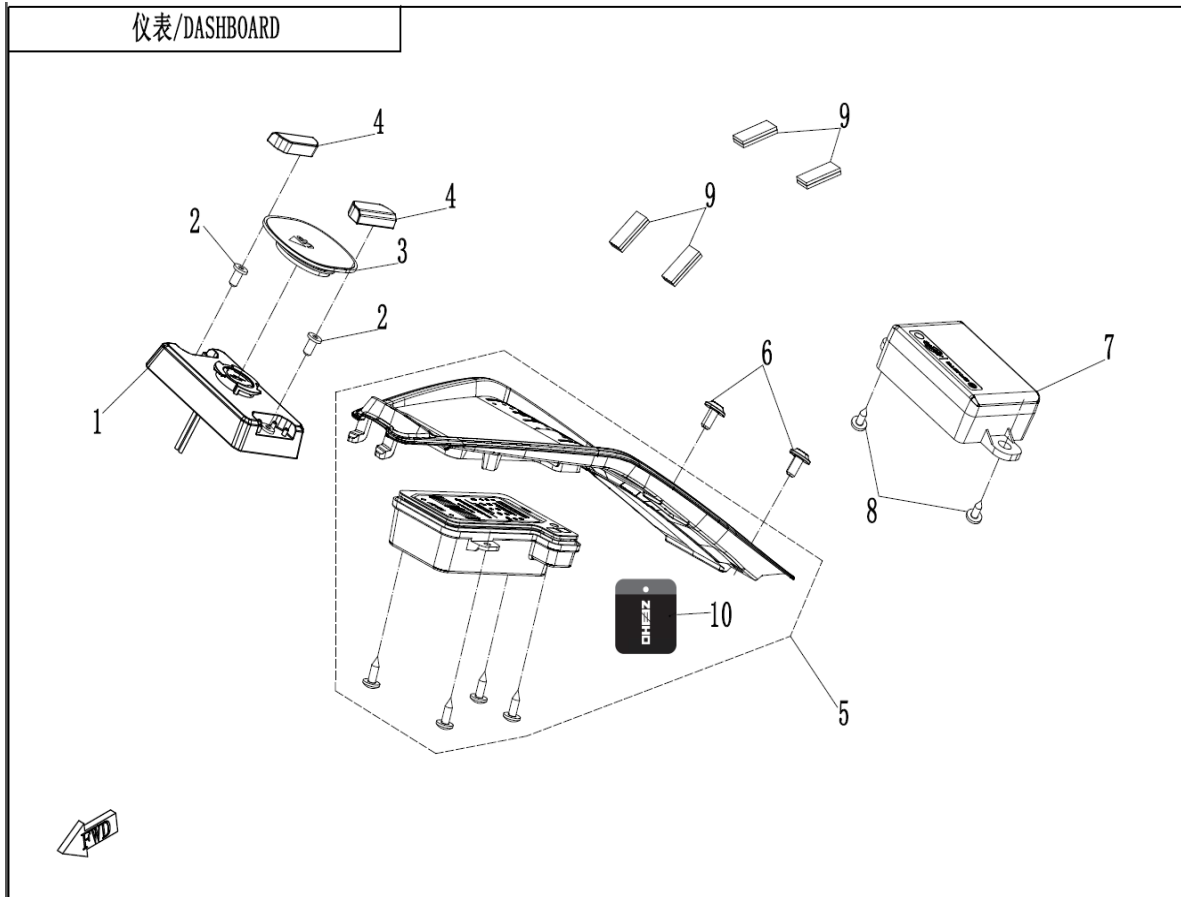
Item No.	Parts Number	Parts Name(EN)	Qty	Specification
01	EG5V-150100-1000	MAIN CABLE	1	
02	EG4V-150176-1000	LICENSE LIGHT ADAPTER CABLE	1	
03	8010-150003	TIE BAND	3	5x250
04	7030-150005	TIE BAND	5	
05	EG4V-150600-1000	HORN	1	
06	30006-080014810	BOLT	1	M8x14
07	EAEV-150900-1000	HORN	1	
08	30110-420130070	SELF-TAPPING SCREW	2	ST4.2x13@BLACK ZINC-PLATED
09	6WWV-151200-5000	SIDE STAND SWITCH	1	
10	8010-090005	BOLT M6x16	1	M6x16
11	CFCV-CBC007-2000-M1	CLIP	1	
12	CFCV-BBC001-2000-M1	TIE BAND	1	
13	EG5V-151900-1000	BCM	1	
14	6WWV-150420-5000-10	BCM BUSHING	1	
15	6KJ0-100002	CLUTCH PULL BINDING	5	

灯具/LIGHT



F16 LIGHT

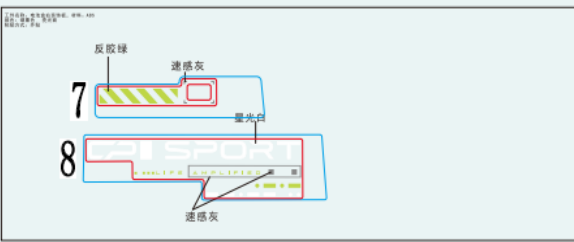
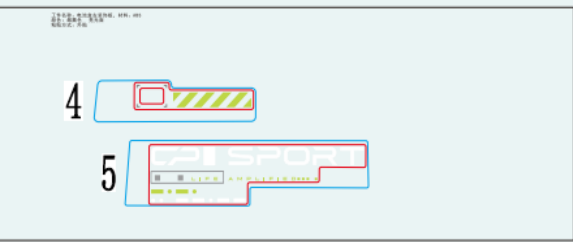
Item No.	Parts Number	Parts Name(EN)	Qty	Specification
01	6KJV-160920-8001-M1	FRONT SIDE REFLECTOR	2	
02	EG4V-160110-1000	HEADLIGHT	1	
03	8080-000002	CLIP NUT ST4.8	3	ST4.8
04	30110-481130070	SCREW	4	
05	EG4V-160520-1000	FRONT RH TURN LIGHT	1	
06	EG4V-160400-1000	FRONT POSITION LIGHT	1	
07	30118-420095010	SELF-TAPPING SCREW	2	ST4.2x9.5@TRIVALENT CHROMIUM
08	EG4V-160510-1000	FRONT LH TURN LIGHT	1	
09	EG4V-167000-1100	RH HANDLEBAR SWITCH ASSY	1	
10	EG4V-166000-1000	LH HANDLEBAR SWITCH ASSY	1	
11	EG4V-160200-1000	TAIL LIGHT	1	
12	30110-420130070	SELF-TAPPING SCREW	2	ST4.2x13@BLACK ZINC-PLATED
13	EG5V-160540-1000	REAR RH TURN LIGHT ASSY	1	"
14	EG5V-160530-1000	REAR LH TURN LIGHT ASSY	1	"
15	6GUV-160600-6200	LICENSE LIGHT	1	
16	6FIV-160910-4000-M1	REAR REFLECTOR	1	
17	30202-050110	NUT	2	M5



F17 DASHBOARD

Item No.	Parts Number	Parts Name(EN)	Qty	Specification
01	EG4V-040900-1001	PHONE HOLDER ASSY	1	
02	30102-050012870	SCREW	2	M5x12@BLACK ZINC-PLATED
03	EG4V-040903-1001	PHONE SUCTION CUP	1	
04	EG4V-040902-1000	BOLT PLUG	2	
05	EG5V-171010-1000	DASHBOARD ASSY	1	
06	6WWV-046702-5000	INNER HEX SCREW M6x12	2	
07	SN1V-691200-1200-11	T-BOX	1	RS-485
08	30110-481130070	SCREW	2	
09	9DS#-041510-6000	BUCKLE ASSEMBLY	8	
10	EG4V-010230-1000	NFC CARD	1	

透明料



白料

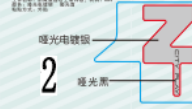
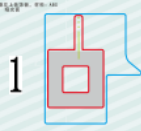


F19-1-A DECAL (MAUD SPIRIT BLACK)

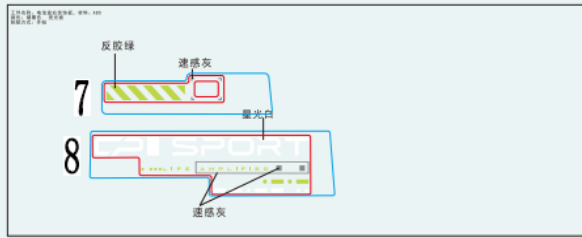
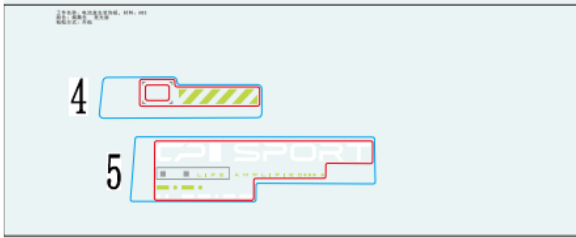
Item No.	Parts Number	Parts Name(EN)	Qty	Specification
01	EG5V-190107-1000-10	LH UPPPER DECO PLATE DECAL	1	FRONT SHOCK ABSORBER
02	EG5V-190108-1000-10	RH UPPPER DECO PLATE DECAL	1	FRONT SHOCK ABSORBER
03	EG5V-190111-1000-10	RIM DECAL	2	
04	EG5V-190112-1000-10	BATTERY BOX LH DECO PLATE DECAL 1	1	
05	EG5V-190113-1000-10	BATTERY BOX LH DECO PLATE DECAL 2	1	
06	EG5V-190114-1000-10	BATTERY BOX LH DECO PLATE DECAL 3	1	
07	EG5V-190115-1000-10	BATTERY BOX RH DECO PLATE DECAL 1	1	
08	EG5V-190116-1000-10	BATTERY BOX RH DECO PLATE DECAL 2	1	
09	EG5V-190117-1000-10	BATTERY BOX RH DECO PLATE DECAL 3	1	

透明料

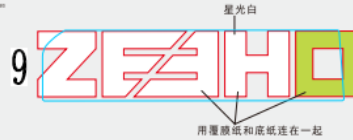
10 ZH1800DQ



全部为哑光效果

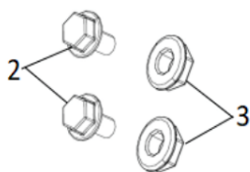
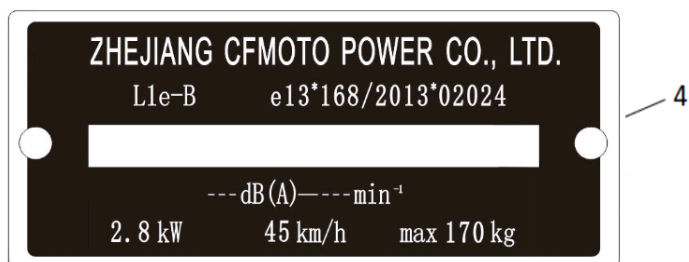
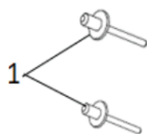


白料



F19-1-B DECAL (MATTE MERCURY SILVER)

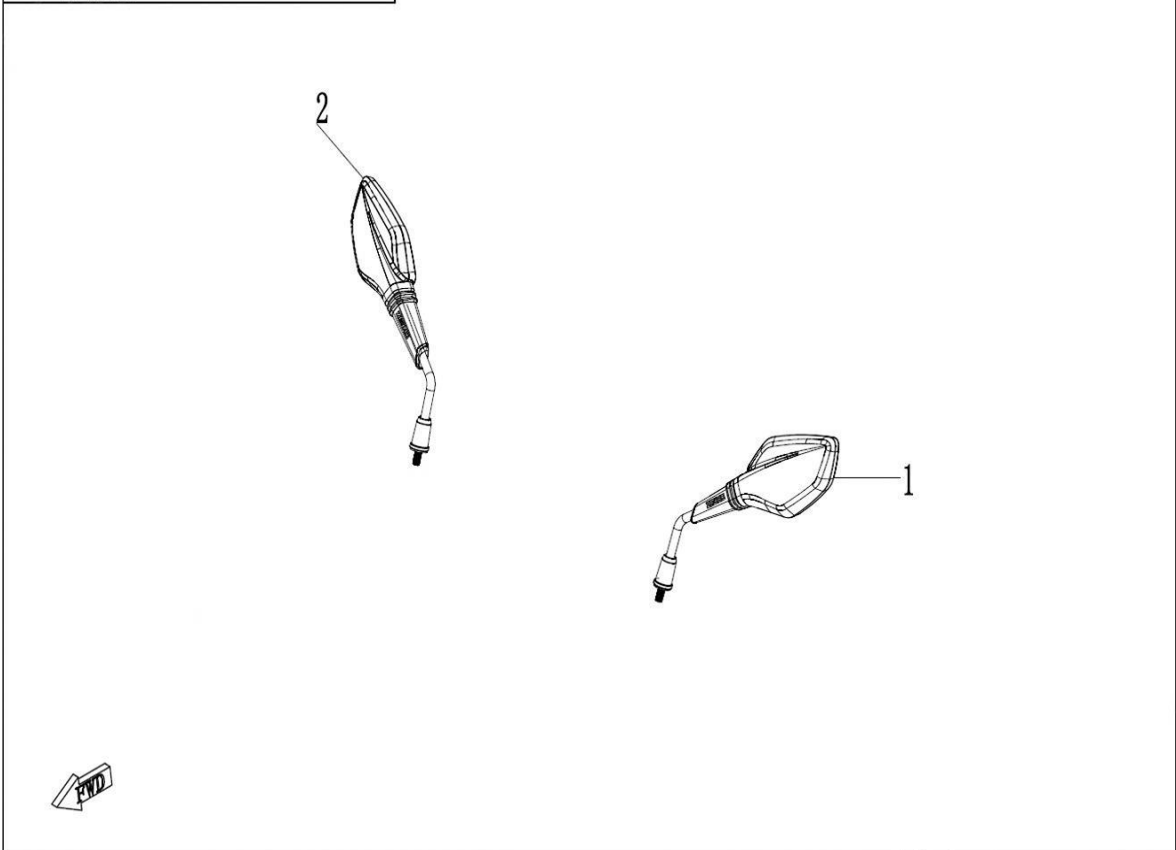
Item No.	Parts Number	Parts Name(EN)	Qty	Specification
01	EG5V-190107-1000-11	LH UPPER DECO PLATE DECAL	1	FRONT SHOCK ABSORBER
02	EG5V-190108-1000-11	RH UPPER DECO PLATE DECAL	1	FRONT SHOCK ABSORBER
03	EG5V-190111-1000-10	RIM DECAL	2	
04	EG5V-190112-1000-10	BATTERY BOX LH DECO PLATE DECAL 1	1	
05	EG5V-190113-1000-10	BATTERY BOX LH DECO PLATE DECAL 2	1	
06	EG5V-190114-1000-10	BATTERY BOX LH DECO PLATE DECAL 3	1	
07	EG5V-190115-1000-10	BATTERY BOX RH DECO PLATE DECAL 1	1	
08	EG5V-190116-1000-10	BATTERY BOX RH DECO PLATE DECAL 2	1	
09	EG5V-190117-1000-10	BATTERY BOX RH DECO PLATE DECAL 3	1	
10	EG5V-190118-1000	MODEL DECAL	1	



F19-2 VIN PLATE & LICENSE PLATE

Item No.	Parts Number	Parts Name(EN)	Qty	Specification
1	30902-0401320	RIVET	2	φ4×13
2	30006-060012870	BOLT	2	M6×12
3	30202-060170	NUT	2	M6
4	EG4V-190001-1000	VIN PLATE	1	
4	EG4V-190001-1001	VIN PLATE	1	
4	EG4V-190001-1002	VIN PLATE	1	
5	FA7V-190002-1000	REAR LICENSE PLATE	1	

后视镜/ REARVIEW MIRROR



F20 TOOLS

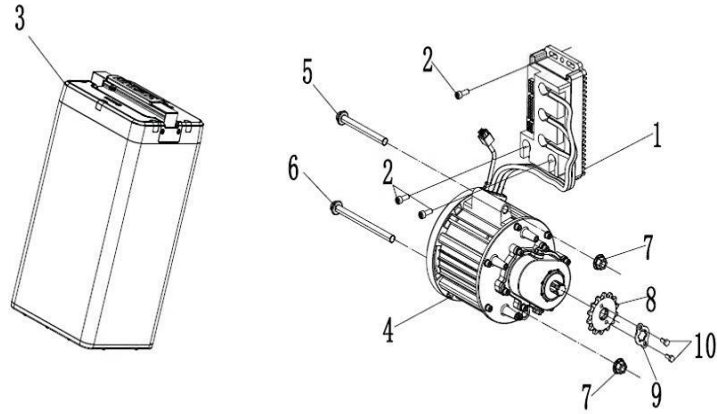
Item No.	Parts Number	Parts Name(EN)	Qty	Specification
01	EG5V-200200-1000	LH REARVIEW MIRROR ASSY	1	
02	EG5V-200300-1000	RH REARVIEW MIRROR ASSY	1	



F38 OWNER'S MANUAL

Item No.	Parts Number	Parts Name(EN)	Qty	Specification
----------	--------------	----------------	-----	---------------

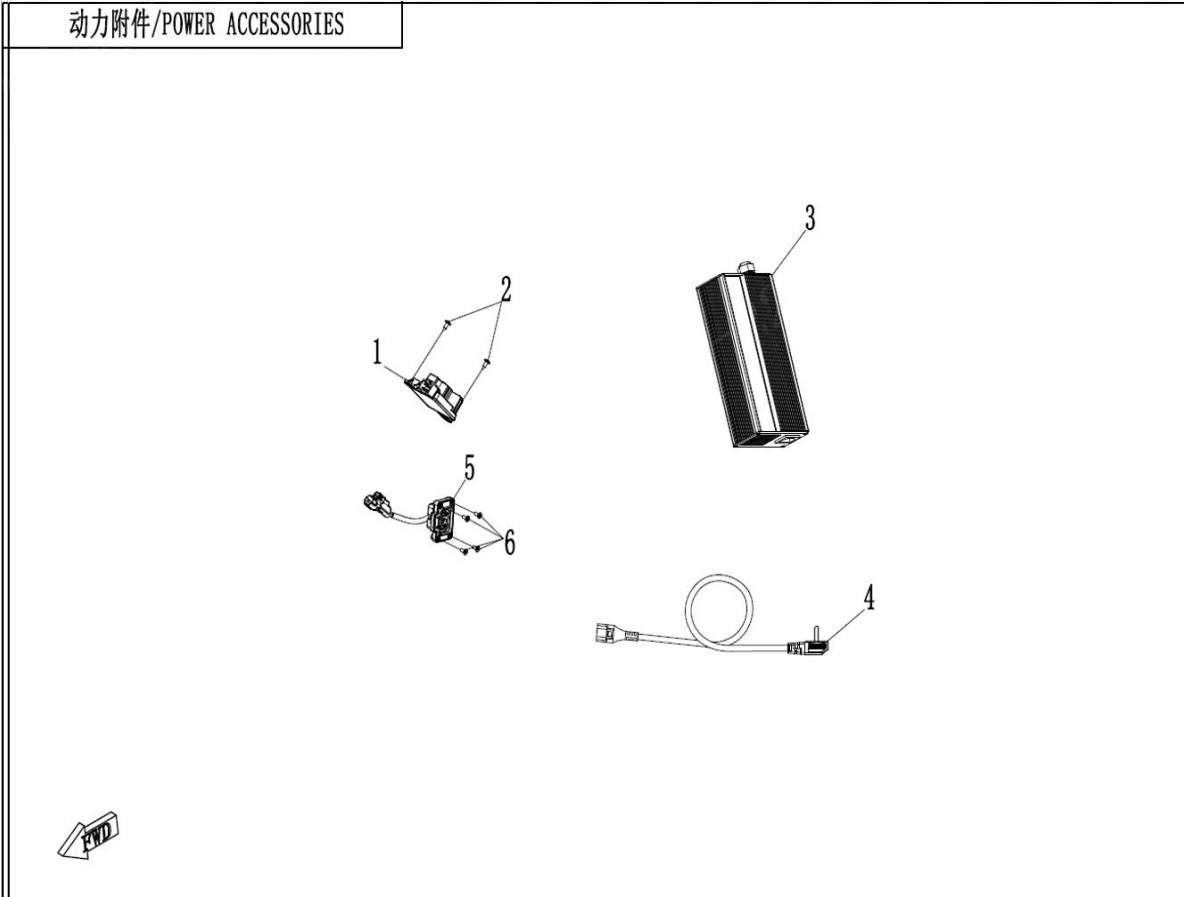
动力总成/POWER ASSEMBLY



F43 POWER ASSEMBLY

Item No.	Parts Number	Parts Name(EN)	Qty	Specification
01	EG5V-430200-1000	MCU	1	
02	30102-060016810	SCREW	3	M6×16
03	EG5V-430300-1000-M1	POWER BATTERY ASSY	1	
04	EG5V-431000-1000	MOTOR ASSY	1	
05	30001-102095110	BOLT M10x1.25x95	1	M10x1.25x95
06	30024-102125110	M10X1.25X125 BOLT	1	
07	30204-102810	NUT	2	M10×1.25
08	EG4V-430010-1000	DRIVE SPROCKET	1	
09	EG4V-430020-1000	SPROCKET GUARD	1	
10	30004-060010850	BOLT M6x10	2	M6x10

动力附件/POWER ACCESSORIES



F44 POWER ACCESSORIES

Item No.	Parts Number	Parts Name(EN)	Qty	Specification
01	EG4V-440200-1000	DC/DC	1	
02	30110-481130070	SCREW	2	
03	EG5V-440310-1000	CHARGER	1	
04	EG5V-440310-1000-12	TYPE E INPUT LINE	1	
05	EG5V-440700-1000	VEHICLE CHARGING PORT	1	
06	30107-040010450	SCREW	4	M4×10