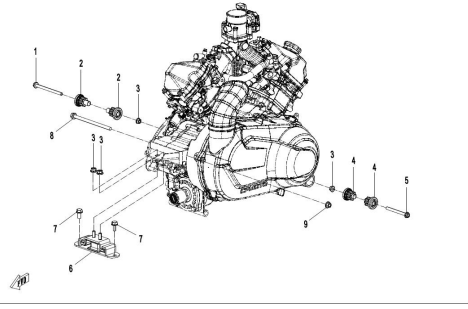


CONTENTS—FRAME GROUP

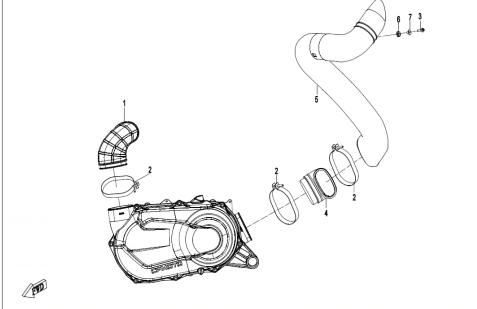
F00-1 ENGINE MOUNTING PARTS

发动机装配组合/ENGINE MOUNTING PARTS



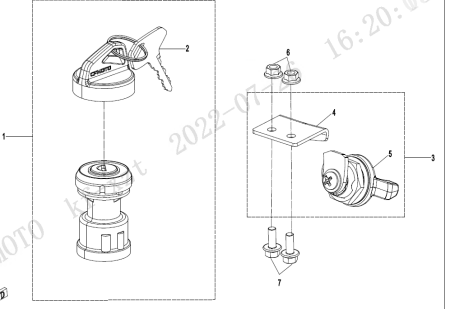
F00-2 CVT AIR PIPE

CVT通风管/CVT AIR PIPE

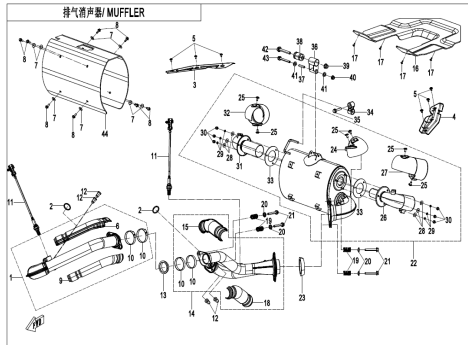


F01 LOCK KIT

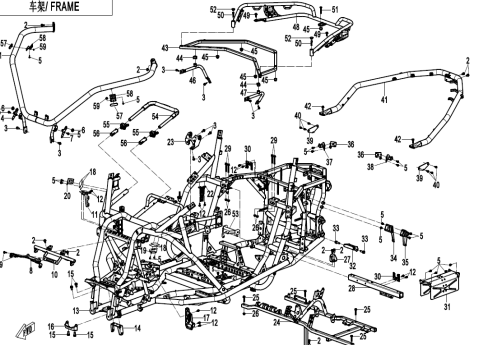
锁具/LOCK KIT



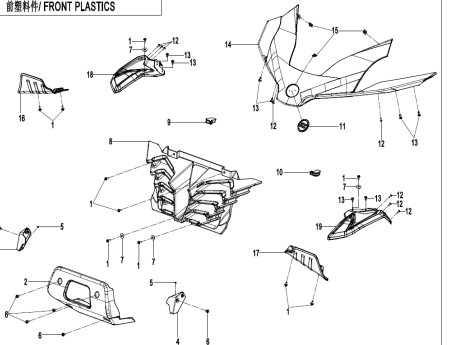
F02 MUFFLER



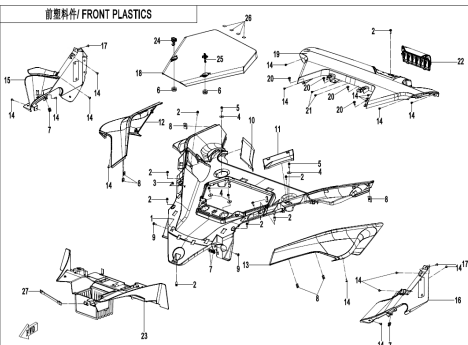
F03 FRAME



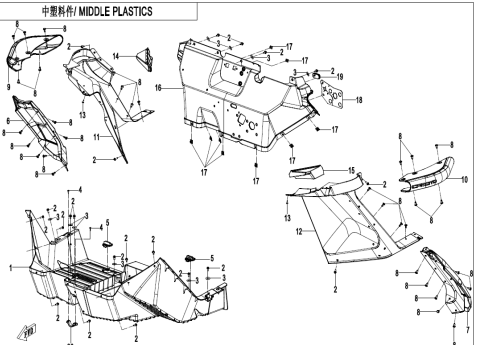
F04-1 FRONT PLASTICS



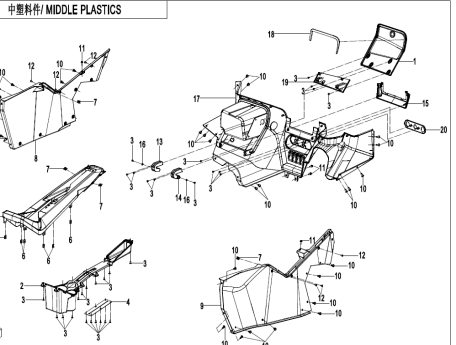
F04-2 FRONT PLASTICS



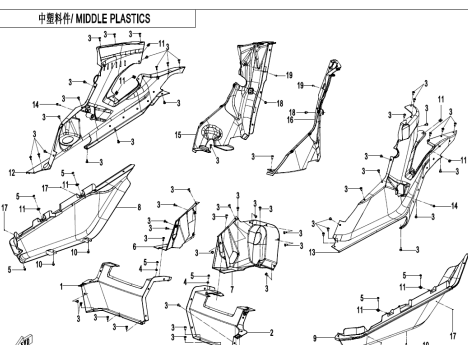
F04-3 MIDDLE PLASTIC



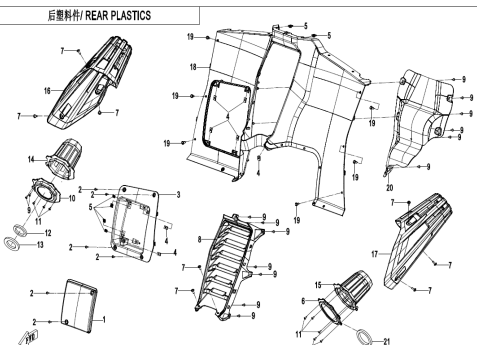
F04-4 MIDDLE PLASTIC



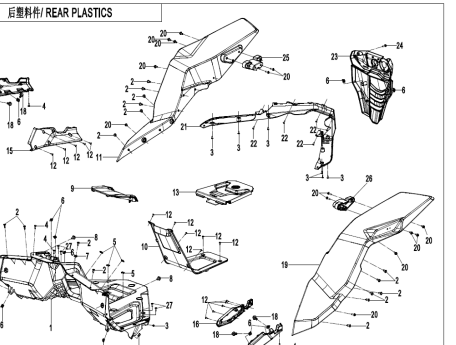
F04-5 MIDDLE PLASTIC



F04-6 REAR PLASTIC

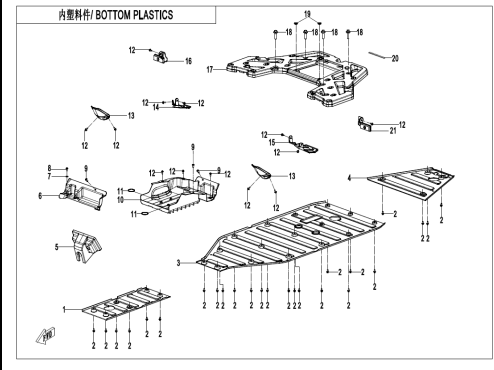


F04-7 REAR PLASTIC

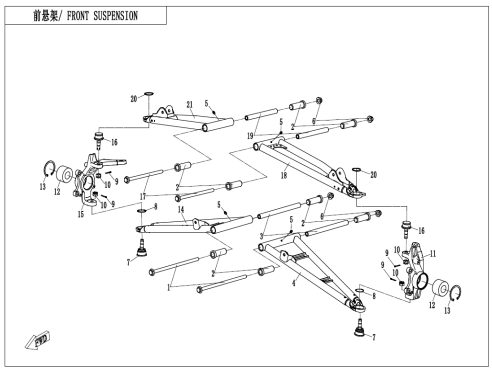


CONTENTS—FRAME GROUP

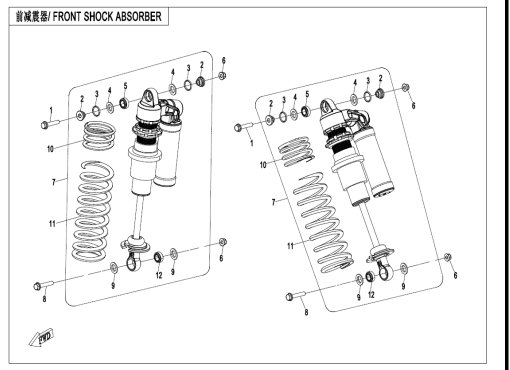
F04-8 **BOTTOM PLASTICS**



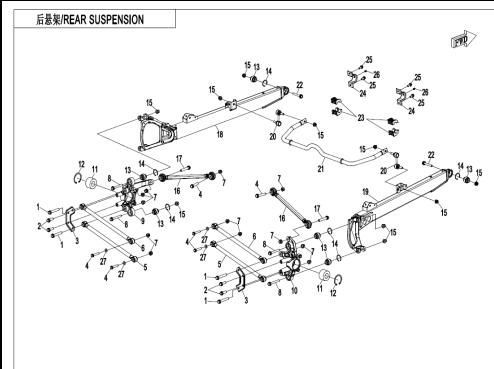
F05-1 **FRONT SUSPENSION**



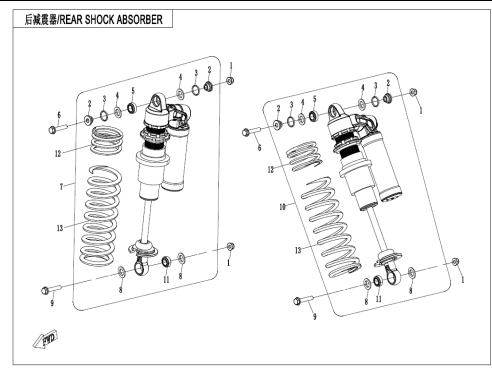
F05-2 **FRONT SHOCK ABSORBER**



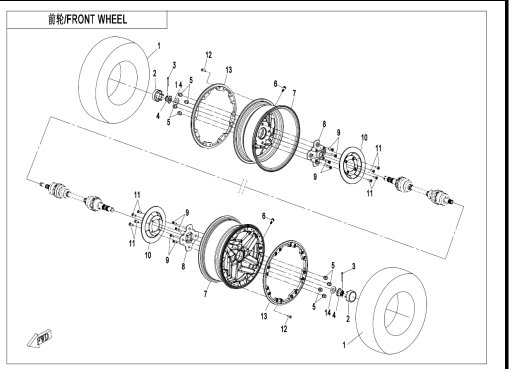
F06-1 **REAR SUSPENSION**



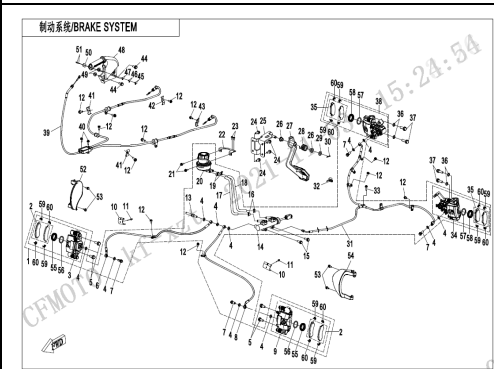
F06-2 **REAR SHOCK ABSORBER**



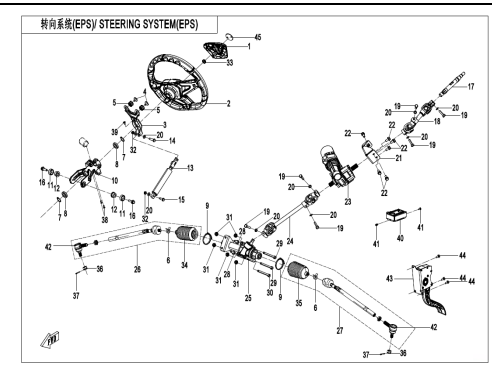
F07 **FRONT WHEEL**



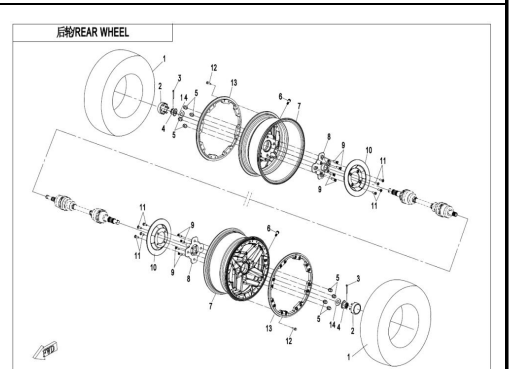
F08 **BRAKE SYSTEM**



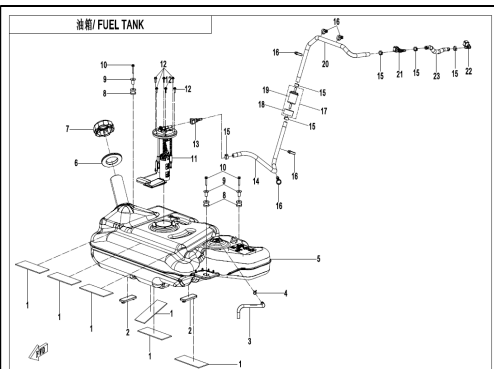
F10 **STEERING SYSTEM**



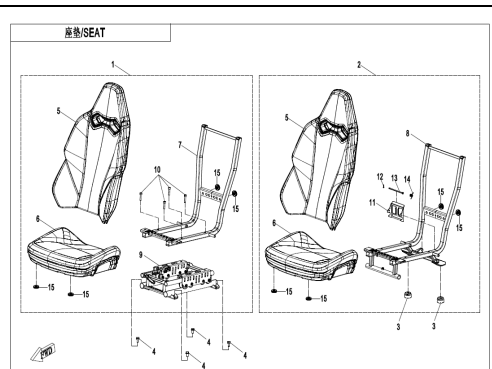
F11 **REAR WHEEL**



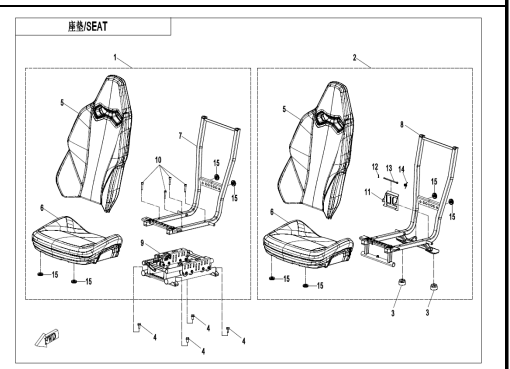
F12 **FUEL TANK**



F13-V1 **SEAT**



F13-V2 **SEAT**



CONTENTS—FRAME GROUP

F13-V2 SEAT

座椅/SEAT

F15-1-V1 ELECTRIC SYSTEM

电气系统/ELECTRIC SYSTEM

F15-1-V2 ELECTRIC SYSTEM

电气系统/ELECTRIC SYSTEM

F15-2 TOWING WINCH

绞盘/TOWING WINCH

F15-3 FUEL INJECTION SYSTEM

F16 LIGHT

灯具/LIGHTS

F16-A LIGHT (INTERNATIONAL)

灯具/LIGHTS

F17 DASHBOARD

仪表/DASHBOARD

F18 COOLING SYSTEM

冷却系统/COOLING SYSTEM

F19-1-A DECAL,NA(NEBULA WHITE)

外观 MY22 ZFORCE 950 H.O. EX 贴纸生产方案 (贴主方案)

星状颜色

F19-1-B DECAL,NA(LAVA ORANGE)

外观 MY22 ZFORCE 950 H.O. EX 贴纸生产方案 (贴主方案)

火焰颜色

F19-1-C DECAL,NA(NEBULA BLACK)

外观 MY22 ZFORCE 950 H.O. EX 贴纸生产方案 (贴主方案)

星状颜色

CONTENTS-FRAME GROUP

F19-1-D
DECAL,INTERNATIONAL(NEBULA WHITE)

MY22 ZFORCE 1000 SPORT 国际花露水壳膜 (国文版)
国际白色

CFMOTO ZPS

F19-1-E
DECAL,INTERNATIONAL(LAVA ORANGE)

MY22 ZFORCE 1000 SPORT 国际花露水壳膜 (国文版)
国际橙色

CFMOTO

F19-1-F
DECAL,INTERNATIONAL(NEBULA BLACK)

MY22 ZFORCE 1000 SPORT 国际花露水壳膜 (国文版)
国际黑色

CFMOTO ZPS

F19-2-A
WARNING LABEL

NOTICE: Check engine oil every 3000 kilometers. Before a service check, always use the correct procedure.

F19-2-B
WARNING LABEL(RUSSIA)

ВАЖНО! Проверьте уровень масла в сцепном агрегате перед каждой поездкой.

F19-3
REFLECTOR

F19-4
VEHICLE PLATE

MANUFACTURED BY: ZHEJIANG CFMOTO POWER CO., LTD.
MODEL: MY22 ZFORCE 1000 SPORT
DISPLACEMENT: 1000 cc
MADE IN CHINA

F20
TOOLS

扳手工具/TOOLS

F23
CAB FRAME (FOR 3-POINT SEAT BELT)

顶杆/CAB FRAME

F26
BODY ACCESSORIES

车体附件/BODY ACCESSORIES

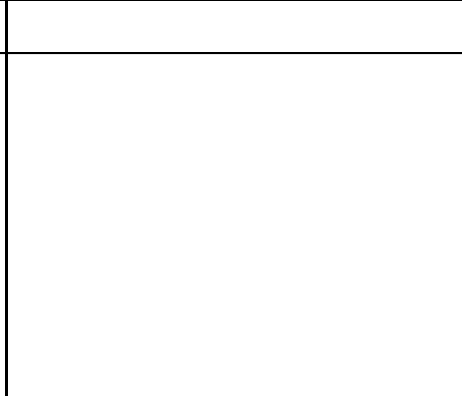
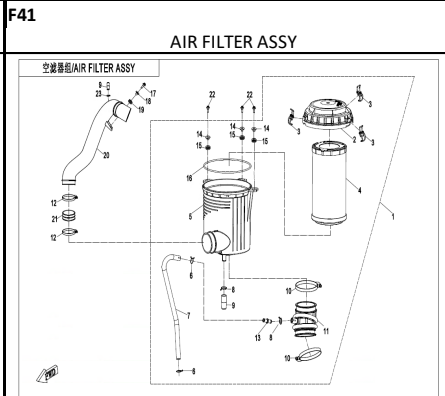
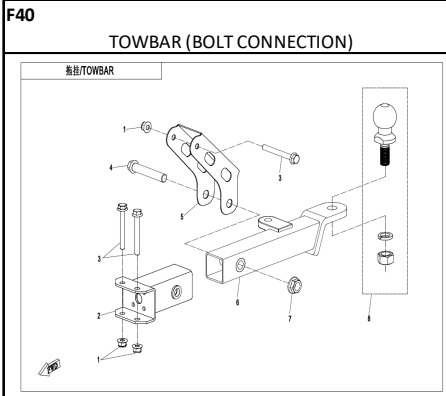
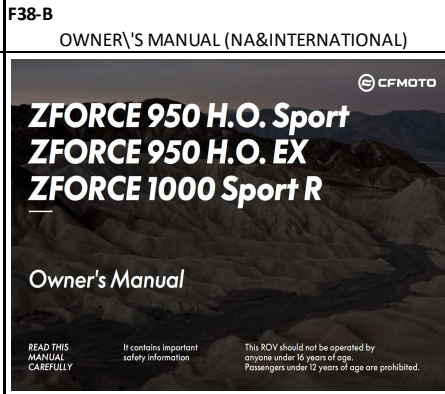
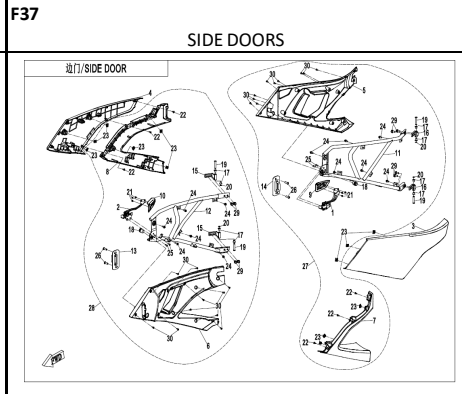
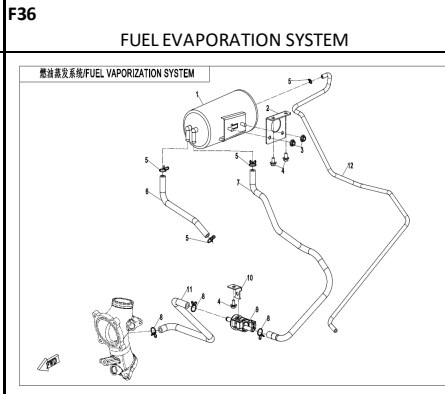
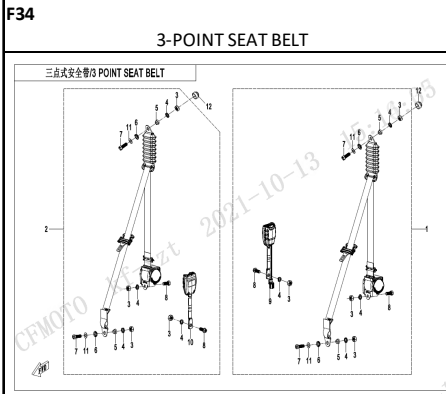
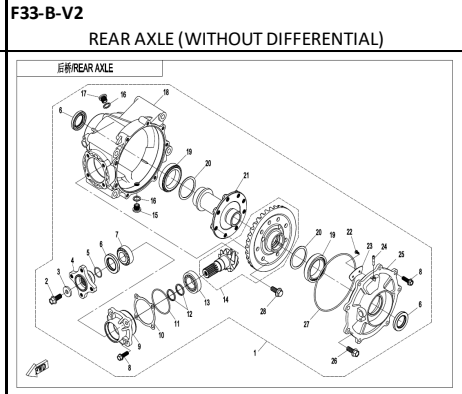
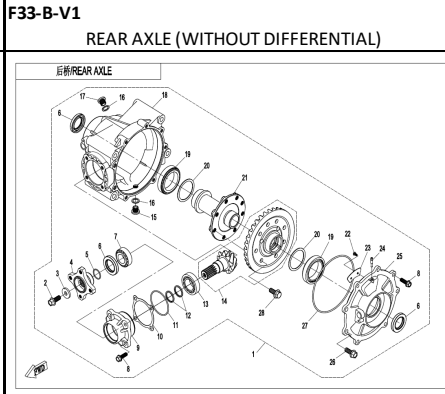
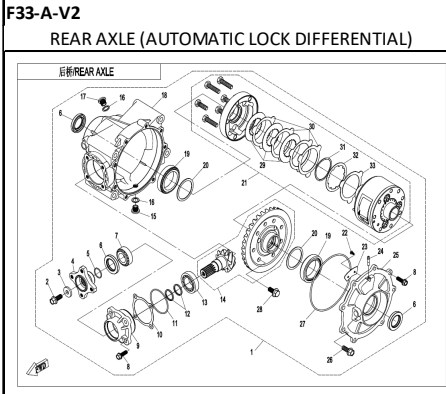
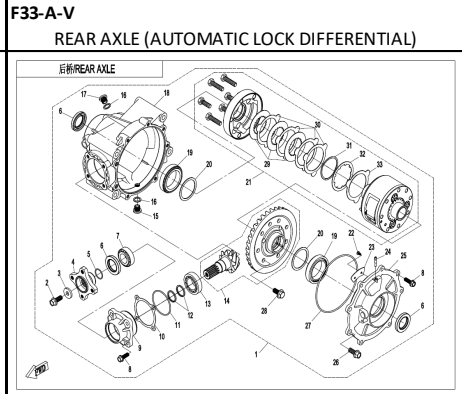
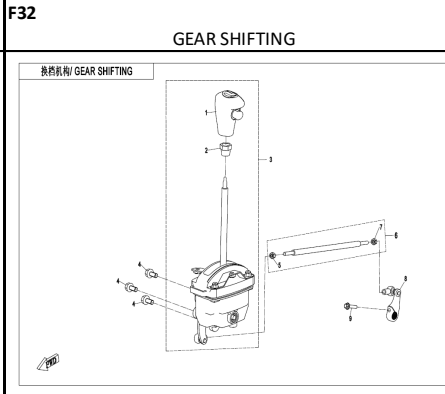
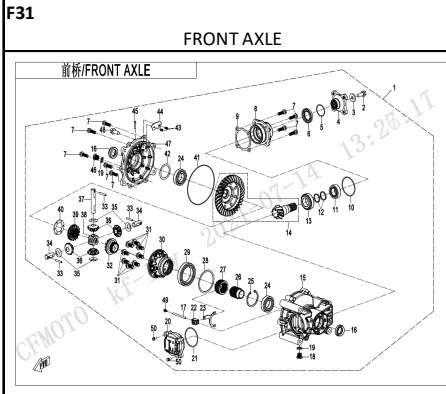
F28
REAR CV SHAFT

后桥等速传动轴/REAR CV SHAFT


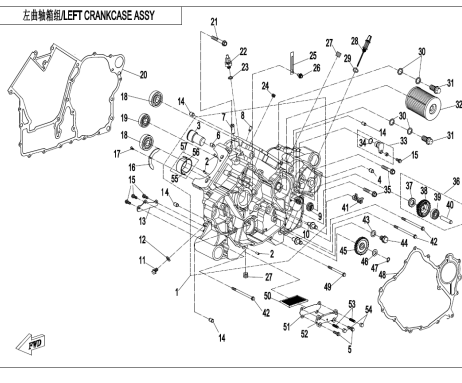
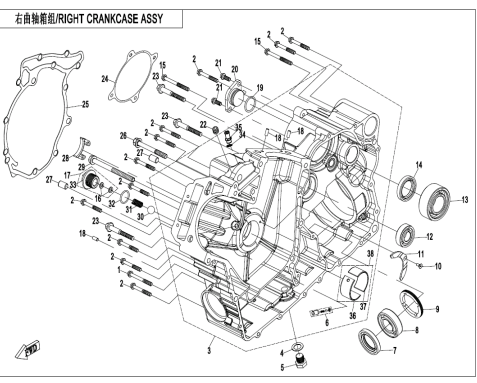
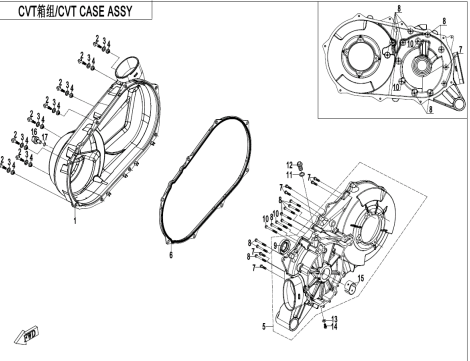
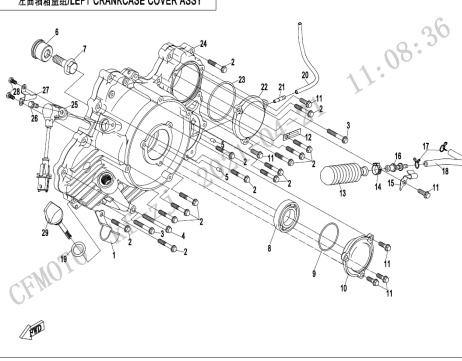
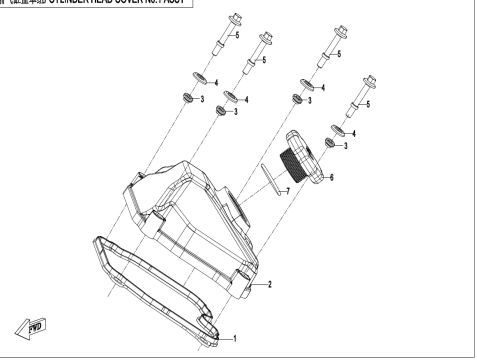
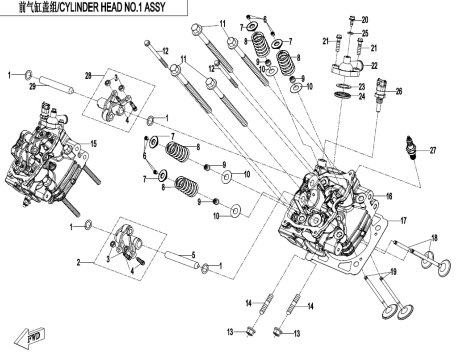
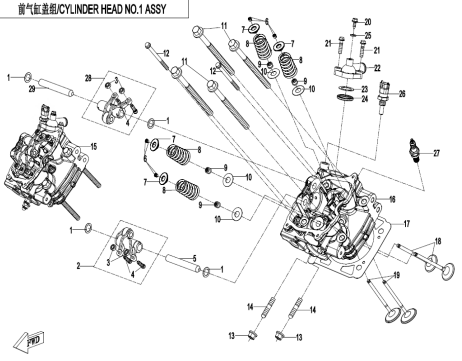
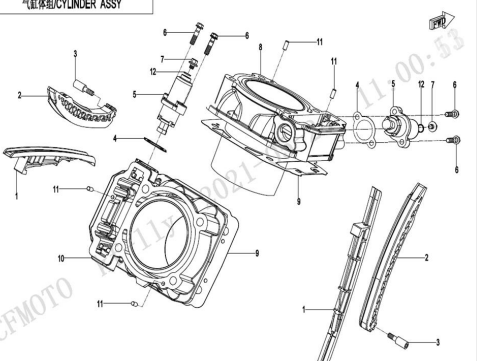
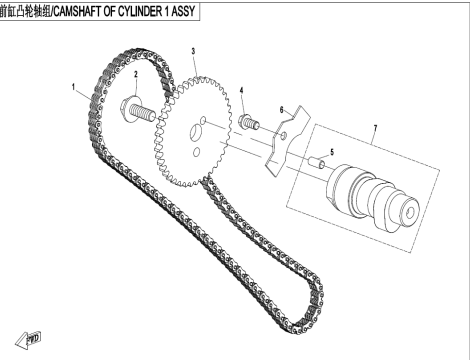
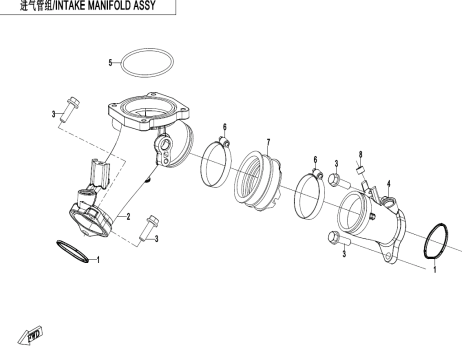
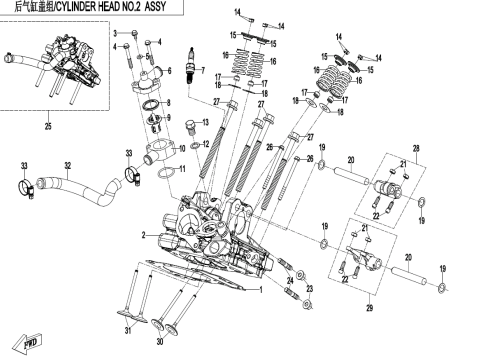
F30
DRIVETRAIN SYSTEM

传动系统/POWERTRAIN SYSTEM

CONTENTS—FRAME GROUP



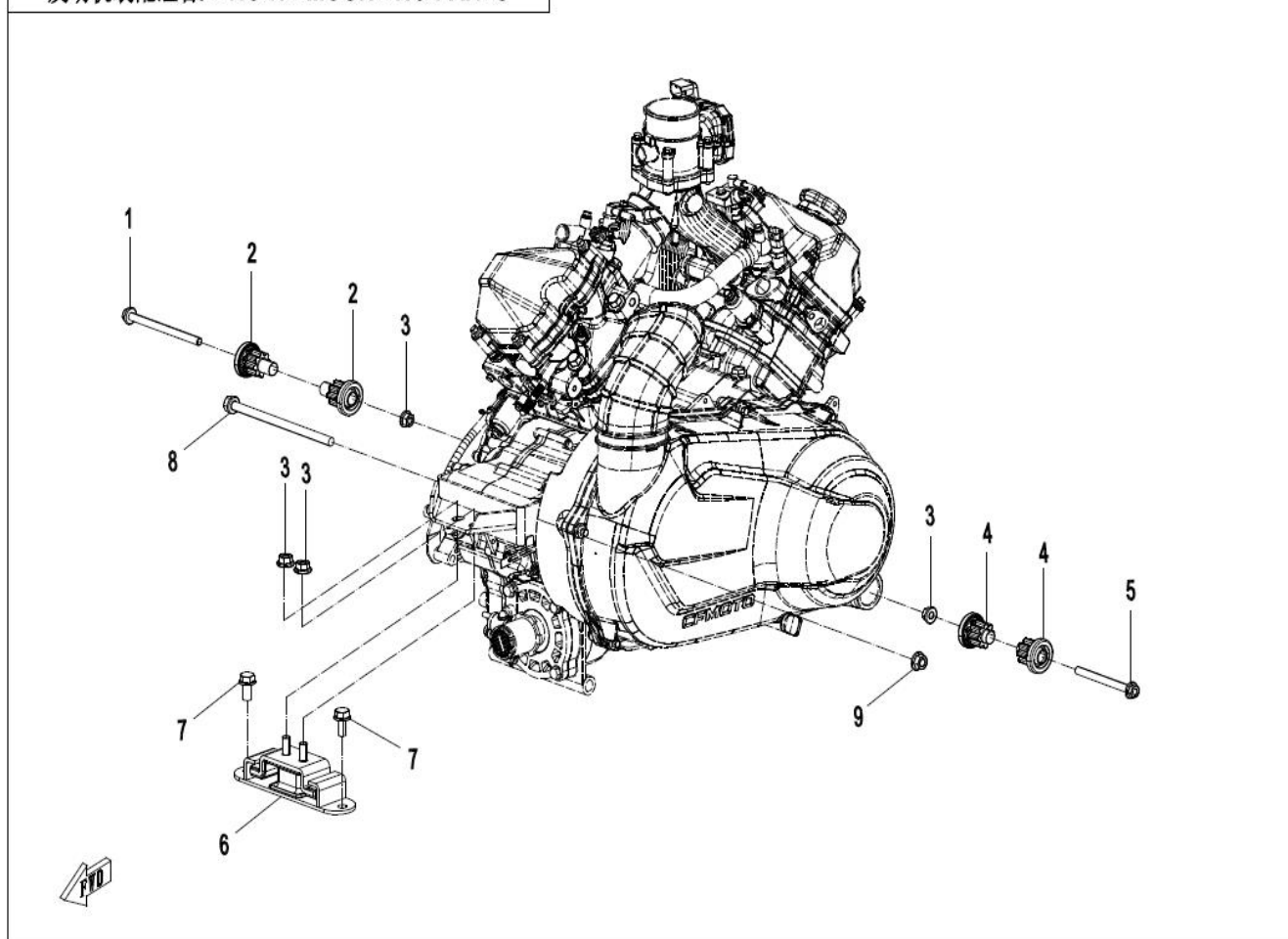
CONTENTS-ENGINE GROUP

<p>E00</p> <p>LONG BLOCK</p> 	<p>E01-1</p> <p>LEFT CRANKCASE ASSY</p> <p>左曲轴箱组/LEFT CRANKCASE ASSY</p> 	<p>E01-2</p> <p>RIGHT CRANKCASE ASSY</p> <p>右曲轴箱组/RIGHT CRANKCASE ASSY</p> 
<p>E01-3</p> <p>CVT CASE ASSY.</p> <p>CVT箱组/CVT CASE ASSY</p> 	<p>E01-4</p> <p>LEFT CRANKCASE COVER ASSY</p> <p>左曲轴箱盖组/LEFT CRANKCASE COVER ASSY</p> 	<p>E02-1</p> <p>CYLINDER HEAD COVER ASSY</p> <p>前气缸盖罩组/CYLINDER HEAD COVER NO.1 ASSY</p> 
<p>E02-2-V1</p> <p>CYLINDER HEAD NO.1 ASSY</p> <p>前气缸盖组/CYLINDER HEAD NO.1 ASSY</p> 	<p>E02-2-V2</p> <p>CYLINDER HEAD NO.1 ASSY</p> <p>前气缸盖组/CYLINDER HEAD NO.1 ASSY</p> 	<p>E02-3</p> <p>CYLINDER ASSY</p> <p>气缸体组/CYLINDER ASSY</p> 
<p>E02-4</p> <p>CAMSHAFT OF CYLINDER 1 ASSY</p> <p>前缸凸轮轴组/CAMSHAFT OF CYLINDER 1 ASSY</p> 	<p>E02-5</p> <p>INTAKE MANIFOLD ASSY</p> <p>进气管组/INTAKE MANIFOLD ASSY</p> 	<p>E02-6-V1</p> <p>CYLINDER HEAD NO.2 ASSY</p> <p>后气缸盖组/CYLINDER HEAD NO.2 ASSY</p> 

CONTENTS-ENGINE GROUP

<p>E02-6-V2</p> <p>CYLINDER HEAD NO.2 ASSY</p> <p>后气缸盖总成/CYLINDER HEAD NO.2 ASSY</p>	<p>E02-7</p> <p>CAMSHAFT OF CYLINDER 2 ASSY</p> <p>后缸凸轮轴/CAMSHAFT OF CYLINDER 2 ASSY</p>	<p>E02-8</p> <p>CYLINDER HEAD COVER NO.2 ASSY</p> <p>后气缸盖罩盖/CYLINDER HEAD COVER NO.2 ASSY</p>
<p>E03</p> <p>MAGNETO ASSY.(EPS)</p> <p>E03-8 磁电机(EPS)/MAGNETO ASSY(EPS)</p>	<p>E04</p> <p>CRANKSHAFT & CONNECTING ROD & PISTON ASSY</p> <p>曲轴连杆活塞组/CRANKSHAFT ASSY & PISTON</p>	<p>E05-V2</p> <p>CVT ASSY(NO SPEED LIMITED,16g WEIGHT ROLLER)</p> <p>CVT总成/ CVT ASSY</p>
<p>E06-1</p> <p>TRANSMISSION SYSTEM(1)</p> <p>换挡变速系统 (1) /TRANSMISSION SYSTEM (1)</p>	<p>E06-2</p> <p>TRANSMISSION SYSTEM(2)</p> <p>换挡变速系统 (2) /TRANSMISSION SYSTEM (2)</p>	<p>E06-3</p> <p>TRANSMISSION SYSTEM(3)</p> <p>换挡变速系统 (3) /TRANSMISSION SYSTEM (3)</p>
<p>E07-1</p> <p>OIL PUMP ASSY</p> <p>机油泵组/OIL PUMP ASSY</p>	<p>E07-2</p> <p>OIL COOLING SYSTEM</p> <p>油冷器组/OIL COOLING ASSY</p>	<p>E08</p> <p>WATER PUMP ASSY.</p> <p>E08 水泵组/WATER PUMP ASSY</p>
<p>E09</p> <p>STARTING SYSTEM</p> <p>E09 起动机组/STARTING SYSTEM</p>	<p>E29</p> <p>ENGINE GASKET SET</p> <p>E29 发动机垫片/ENGINE GASKET SET</p>	<p>E30</p> <p>ENGINE OIL SEAL & O-RING SET</p> <p>E30 发动机油封/O-RING SET</p>

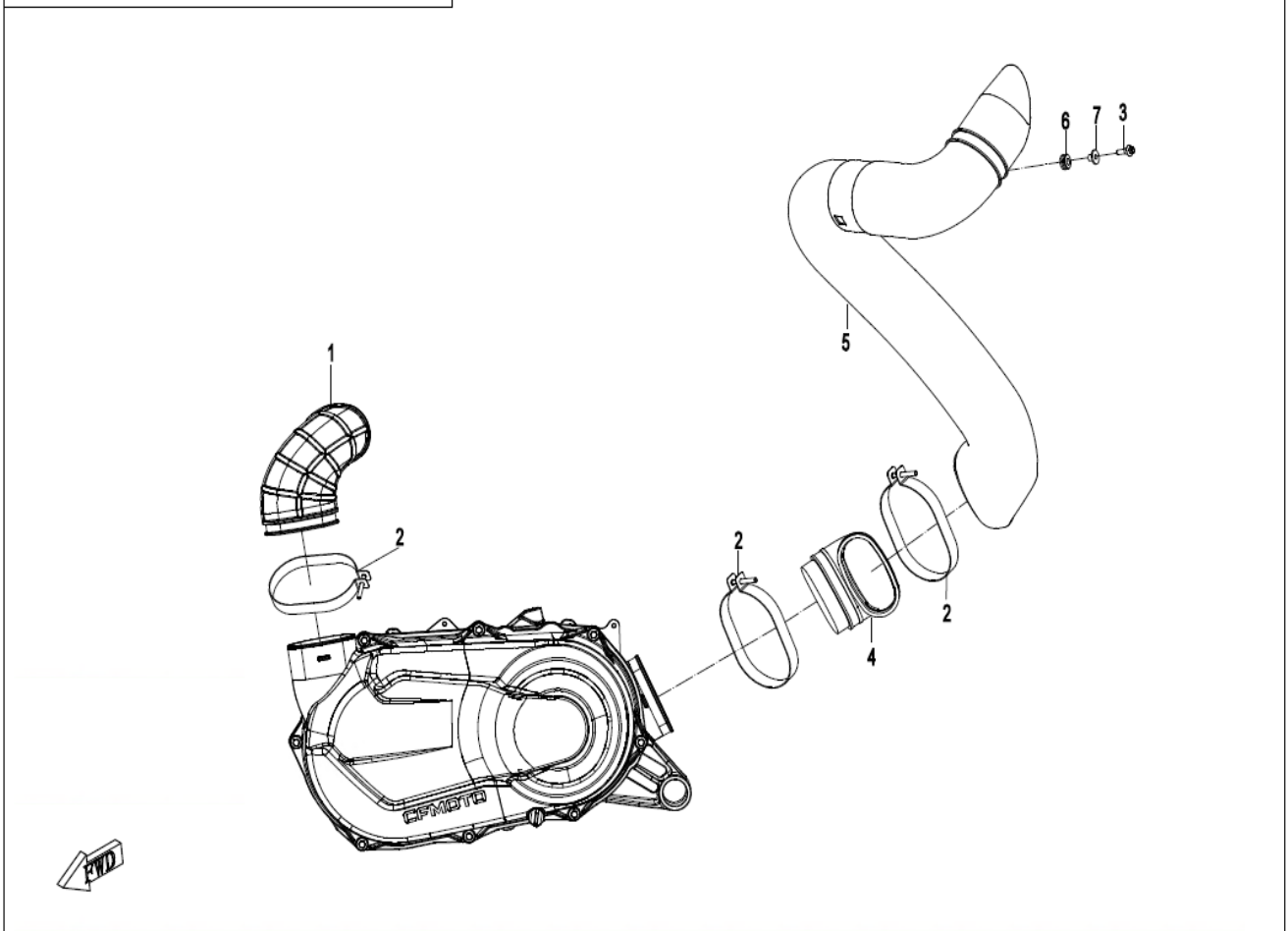
发动机装配组合/ ENGINE MOUNTING PARTS



F00-1 ENGINE MOUNTING PARTS

Item No.	Parts Number	Parts Name(EN)	Qty	Specification
01	30006-102140810	BOLT M10x1.25x140	1	M10x1.25x140
02	5BWV-000110-5000	LH DAMPING SLEEVE, ENGINE	2	
03	30204-102110	NUT M10x1.25	4	M10x1.25
04	5BWV-000120-5000	RH DAMPING SLEEVE, ENGINE	2	
05	30006-102110110	BOLT M10x1.25x110	1	M10x1.25x110
06	5BWV-000200-5000	FRONT BRACKET, ENGINE	1	
07	30006-102020810	BOLT M10x1.25x20	2	M10x1.25x20
08	30001-102170110	BOLT M10x1.25x170	1	M10x1.25x170
09	30204-102810	NUT M10x1.25	1	M10x1.25

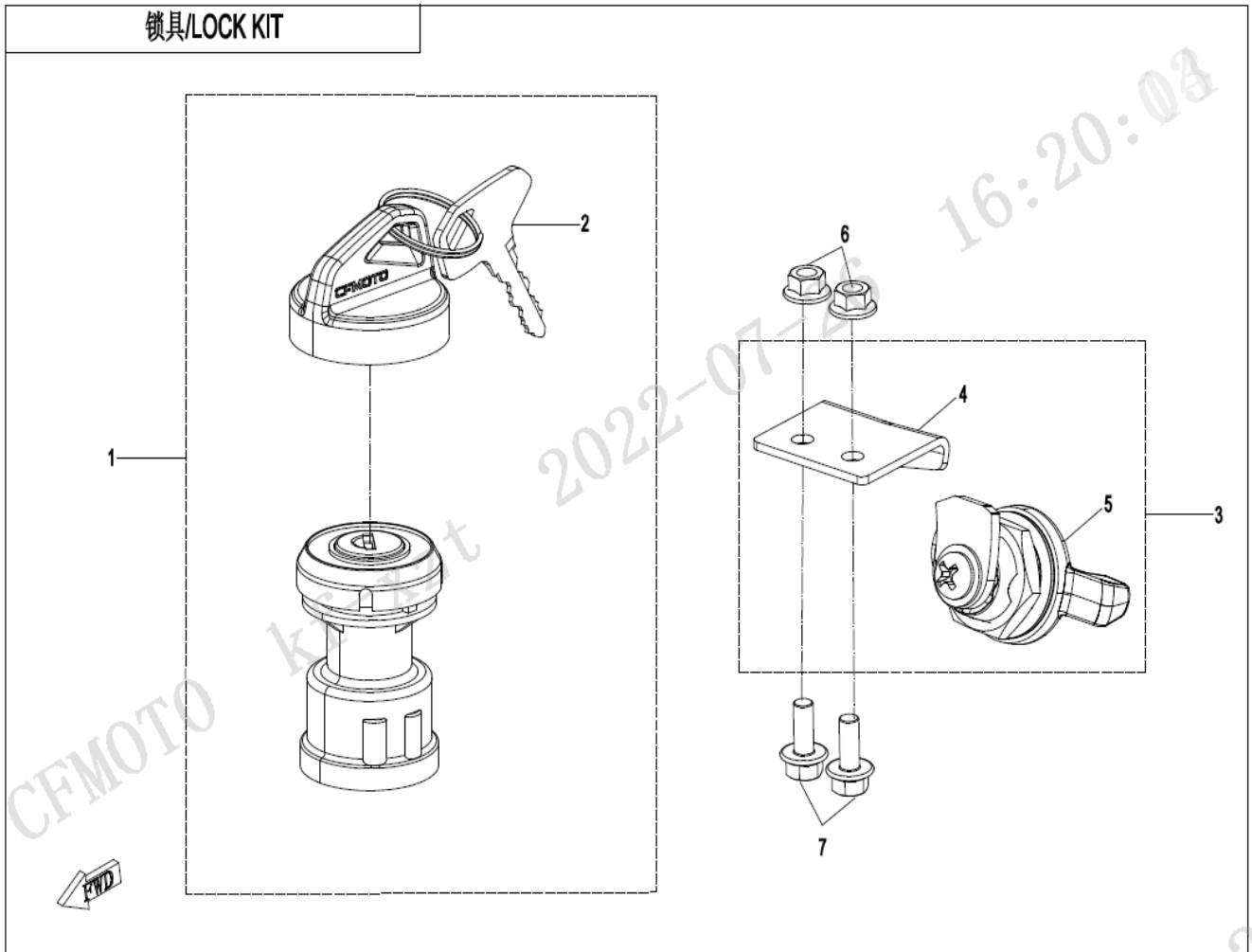
CVT通风管/CVT AIR PIPE



F00-2 CVT AIR PIPE

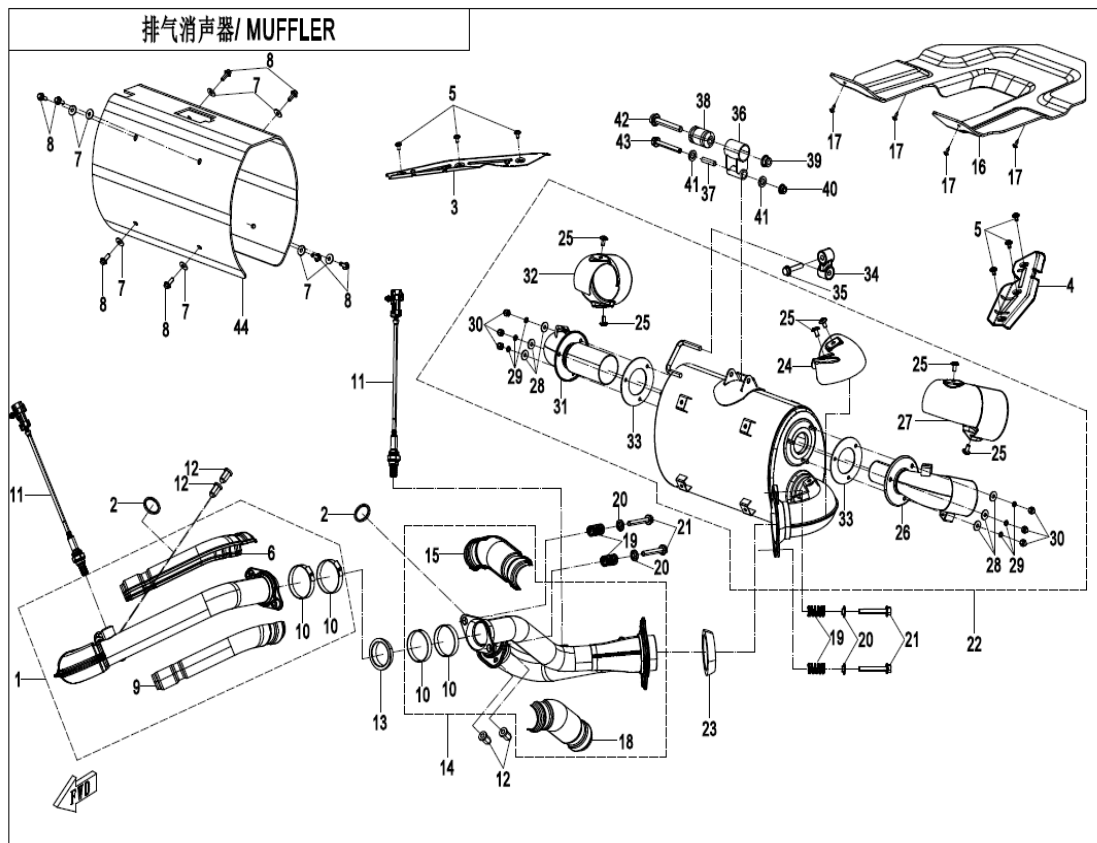
Item No.	Parts Number	Parts Name(EN)	Qty	Specification
01	5BWV-000202-5000	AIR OUTLET PIPE, CVT	1	
02	9010-000105	A-TYPE SCREW CLAMP 78-101	3	78-101
03	30006-060020810	BOLT M6x20	1	M6x20
04	7030-000203	JOINT, CVT AIR INLET PIPE	1	
05	5BY0-000201	AIR INLET PIPE, CVT	1	
06	6090-040302	RUBBER DAMPER	1	
07	6090-040303		1	

锁具/LOCK KIT



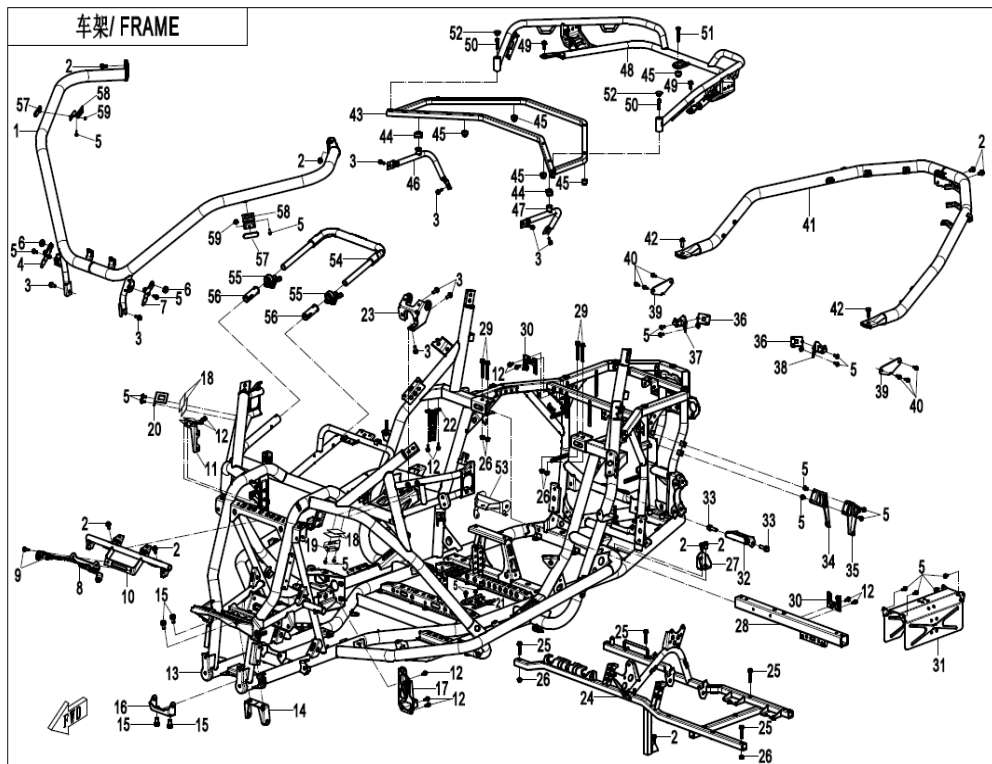
F01 LOCK KIT

Item No.	Parts Number	Parts Name(EN)	Qty	Specification
01	5ASV-011000-6000	LOCK KIT	1	
01	5ASV-011000-6001	LOCK KIT	1	
02	5ASV-011070-6000	BLANK KEY	1	
03	5BYV-041000-A100	STORAGE BOX LOCK	1	
04	5BY0-011001	LOCK PLATE	1	
05	5BY0-011010	LOCK, FRONT STORAGE BOX	1	
06	30202-050110	NUT M5	2	M5
07	30006-050012810	BOLT M5x12	2	M5x12



F02 MUFFLER

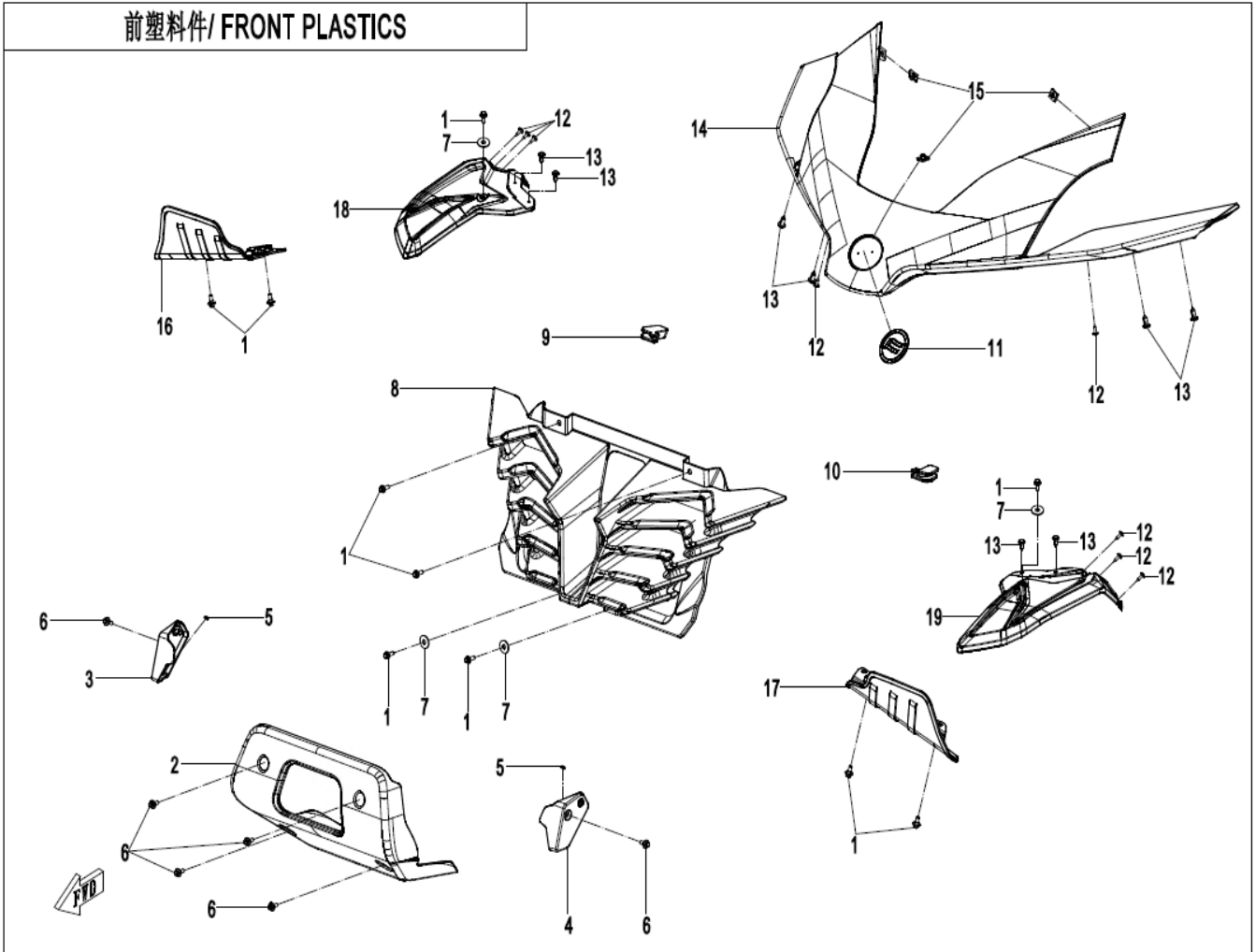
Item No.	Parts Number	Parts Name(EN)	Qty	Specification
1	5BYV-021100-A000	FRONT EXHAUST PIPE ASSY	1	
2	0800-022300	BUSHING, EXHAUST PIPE	2	
3	5BY0-020005-10000	RH LOWER INSULATOR, TAIL LIGHT GUARD	1	
4	5BY0-020004-10000	LH LOWER INSULATOR, TAIL LIGHT GUARD	1	
5	6KM#-040702-8000	INNER HEX SCREW M6x12	6	
6	5BYV-021101-A000	HEAT INSULATOR 1, FRONT EXHAUST PIPE	1	
7	30309-060900	WASHER	8	
8	30006-060012810	BOLT M6x12	8	M6x12
9	5BYV-021102-A000	HEAT INSULATOR 2, FRONT EXHAUST PIPE	1	
10	9010-020007	A-TYPE SCREW CLAMP	4	50-70
11	0HU0-176000	OXYGEN SENSOR	2	
12	8010-020001	NUT M8, MUFFLER JOINT	4	M8
13	9AWA-021004-00001	GRAPHITE RING, BIG	1	
13	9AWA-021004-00002	GRAPHITE RING, BIG	1	
14	5BYV-021200-A000	REAR EXHAUST PIPE ASSY	1	
15	5BYV-021201-A000	HEAT INSULATOR 1, REAR EXHAUST PIPE	1	
16	5BY0-020002	UPPER HEAT INSULATOR	1	
17	30110-421130010	SELF-TAPPING SCREW ST4.2x13	4	ST4.2x13
18	5BYV-021202-A000	HEAT INSULATOR 2, REAR EXHAUST PIPE	1	
19	9AWA-021001	SPRING, MUFFLER	4	
20	9AWA-021005	BUSHING	4	
21	9AWA-021002-10000	BOLT M8x55	4	M8x55
22	5BYV-021300-A300	MUFFLER ASSY	1	
23	5BYV-020001-A000	GRAPHITE RING, BIG	1	
24	5BYV-021301-A000	HEAT INSULATOR, AIR INLET PIPE	1	
25	A000-040702	INNER HEX SCREW M6x12	6	M6x12
26	5BY0-021340	LH SPARK ARRESTER	1	
27	5BY0-021360	INSULATION PLATE ASSY, LH SPARK ARRESTER	1	
28	30306-060800	WASHER 6	6	6
29	30303-060900	WASHER	6	6
30	30206-060500	CAP NUT	6	
31	5BY0-021350	RH SPARK ARRESTER	1	
32	5BY0-021370	INSULATION PLATE ASSY, RH SPARK ARRESTER	1	
33	5BY2-021001	SEAL GASKET	2	
34	7020-000160		1	
35	30006-080040810	BOLT M8x40	1	M8x40
36	9CR6-020020	MOUNT ASSY, MUFFLER	1	
37	7020-020001		1	
38	5BY0-020030	DAMPER SLEEVE ASSY	1	
39	30204-102110	NUT M10x1.25	1	M10x1.25
40	30204-080810	NUT M8	1	M8
41	9CR6-020003	WIRE WASHER	2	
42	30006-102070810	BOLT M10x1.25x70	1	M10x1.25x70
43	30006-080065810	BOLT M8x65	1	M8x65
44	5BY0-020003	INSULATION GUARD, MUFFLER BODY	1	



F03 FRAME

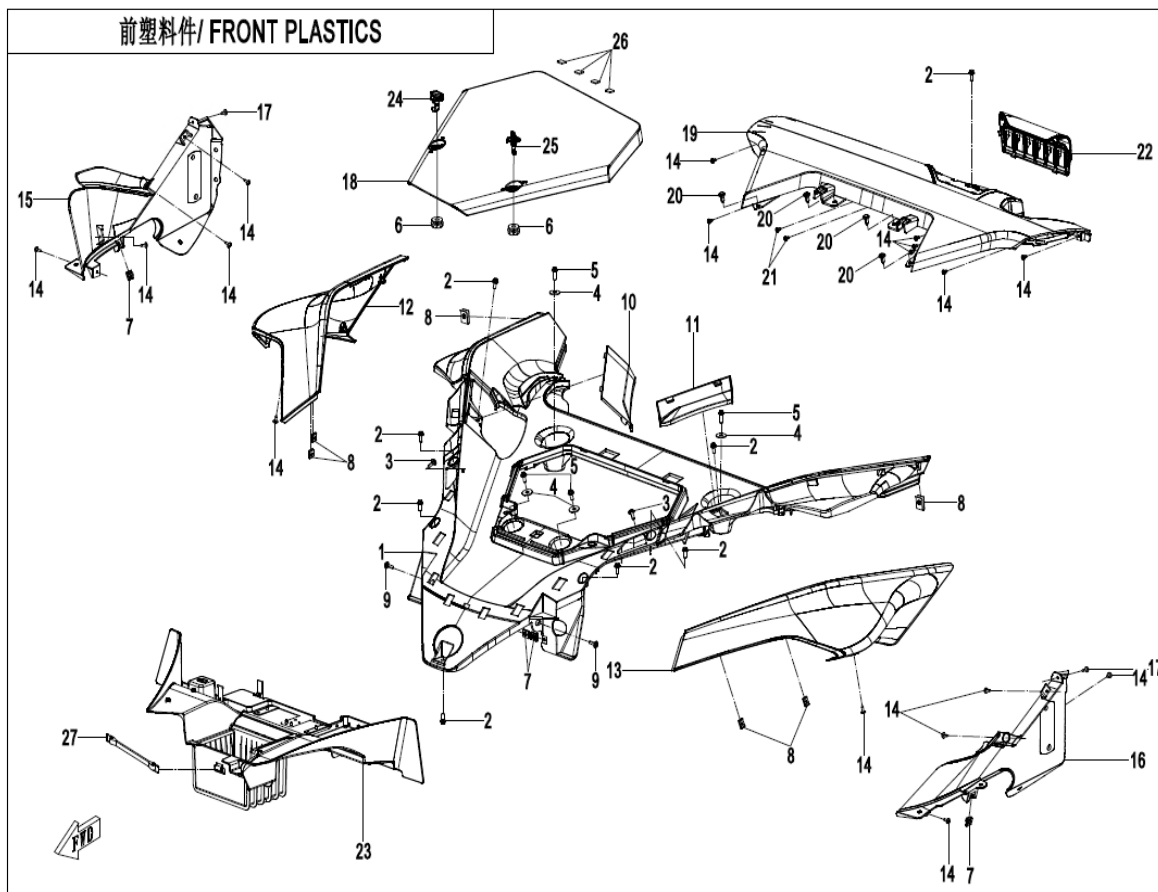
Item No.	Parts Number	Parts Name (EN)	Qty	Specification
1	5BY0-030300-0B000	FRONT BUMPER ASSY	1	MATTE BLACK
2	30006-080016810	BOLT M8x16	9	M8x16
3	30006-080020810	BOLT M8x20	9	M8x20
4	5BY0-030940	BRACKET, FRONT RH REFLECTOR	1	
5	30006-060012810	BOLT M6x12	22	M6x12
6	A000-040302	RUBBER DAMPER	2	
7	5BY0-030930	BRACKET, FRONT LH REFLECTOR	1	
8	5BY0-030090	MOUNTING BRACKET, FRONT INNER PLATIC LOCK PLATE	1	
9	30006-060025810	BOLT M6x25	2	M6x25
10	5BY0-030400	BRACKET, HEADLIGHT	1	ELECTROPHORESIS BLACK
11	5BY0-030060	MOUNTING BRACKET, RESERVOIR	1	
12	30006-060016810	BOLT M6x16	11	M6x16
13	5BYV-031000-A100	FRAME ASSY	1	
14	5BWV-030050-5000	UPPER ADAPTER BRACKET, FRONT GEAR CASE	1	
15	30006-102020810	BOLT M10x1.25x20	4	M10x1.25x20
16	5BYV-030050-A100	FRONT LOWER BRACKET, FRONT GEAR CASE	1	
17	5BY0-030660	BRACKET, THROTTLE PEDAL	1	
18	9010-120008	SPONGE PAD, FUEL TANK	4	
19	5BY0-030622	LH BRACKET, FRONT INNER LOCK PANEL	1	
20	5BY0-030623	RH BRACKET, FRONT INNER LOCK PANEL	1	
21	5BY0-030070	MOUNTING BRACKET, BRAKE HOSE CASE	1	
22	5HY0-030410	MOUNT SEAT, REGULATOR	1	
23	5BY0-030020	CONVERTING BRACKET, STEERING WHEEL	1	
24	5BYV-030100-A100	SEAT MOUNTING ASSY	1	
24	5BYV-030100-A101	SEAT ASSY	1	
25	30006-080040810	BOLT M8x40	4	M8x40
26	30204-080810	NUT M8	6	M8
27	7000-031802	LH MOVING BRACKET, ENGINE	1	
28	5BY0-030200	UPPER BAR ASSY, ENGINE	1	ELECTROPHORESIS BLACK
29	30006-080060810	BOLT M8x60	4	M8x60
30	5HY0-030060	MOUNT SEAT, IGNITION COIL	2	
31	7000-020020-10000	HEAT INSULATOR ASSY	1	
32	5BY0-030030	FRONT UPPER BRACKET, REAR GEAR CASE	1	
33	30006-102035810	BOLT M10x1.25x35	2	M10x1.25x35
34	5BY0-030906	LOWER RH MOUNTING PLATE, TAIL GUARD	1	
35	5BY0-030905	LOWER LH MOUNTING PLATE, TAIL GUARD	1	
36	5BYA-030020-10000	REAR FIX SEAT, FENDER	2	
37	5BY0-030920	RH BRACKET, REAR FENDER	1	
38	5BY0-030910	LH BRACKET, REAR FENDER	1	
39	5BY0-030951	BRACKET, REAR FENDER	2	
40	30006-060016870	BOLT M6x16	6	M6x16
41	5BYV-030500-B100-0B000	REAR BUMPER ASSY	1	ELECTROPHORESIS BLACK
42	30006-080025810	BOLT	2	M8x25
43	5BYA-030010	BRACKET, STORAGE RACK	1	ELECTROPHORESIS BLACK
44	5190-001003	RUBBER CUSHION, MAIN STAND	2	
45	5BY0-030621	MOUNTING SLEEVE, REAR CARGO BOX	5	
46	5BYA-030400	RH SUPPORTER, STORAGE RACK	1	ELECTROPHORESIS BLACK
47	5BYA-030300	LH SUPPORTER, STORAGE RACK	1	ELECTROPHORESIS BLACK
48	5BYA-030600-0B000	REAR RACK ASSY	1	MATTE BLACK
49	30006-080020870	BOLT	2	
50	30102-080030860	INNER HEX SCREW M8x30	2	M8x30
51	5BY0-000306	INNER HEX SCREW M8x52	1	
52	6NQ3-250022-00001	PLUG 25-16	2	
53	5BWV-030080-5000	FRONT BRACKET, ENGINE	1	
54	5BWV-100100-5000	ARMREST RAIL ASSY	1	
55	5BWV-107000-5000	WIRE CLIP ASSY	2	
55	5BWV-107000-5001	WIRE CLIP ASSY	2	
56	5BWV-107400-5000	BUSHING, ARMREST RAIL	2	
57	9AWV-160920-2C01-M1	FRONT SIDE REFLECTOR	2	
58	5BYV-030952-1100	BRACKET, SIDE REFLECTOR	2	
59	30204-060810	NUT M6	2	M6

前塑料件/ FRONT PLASTICS



F04-1 FRONT PLASTICS

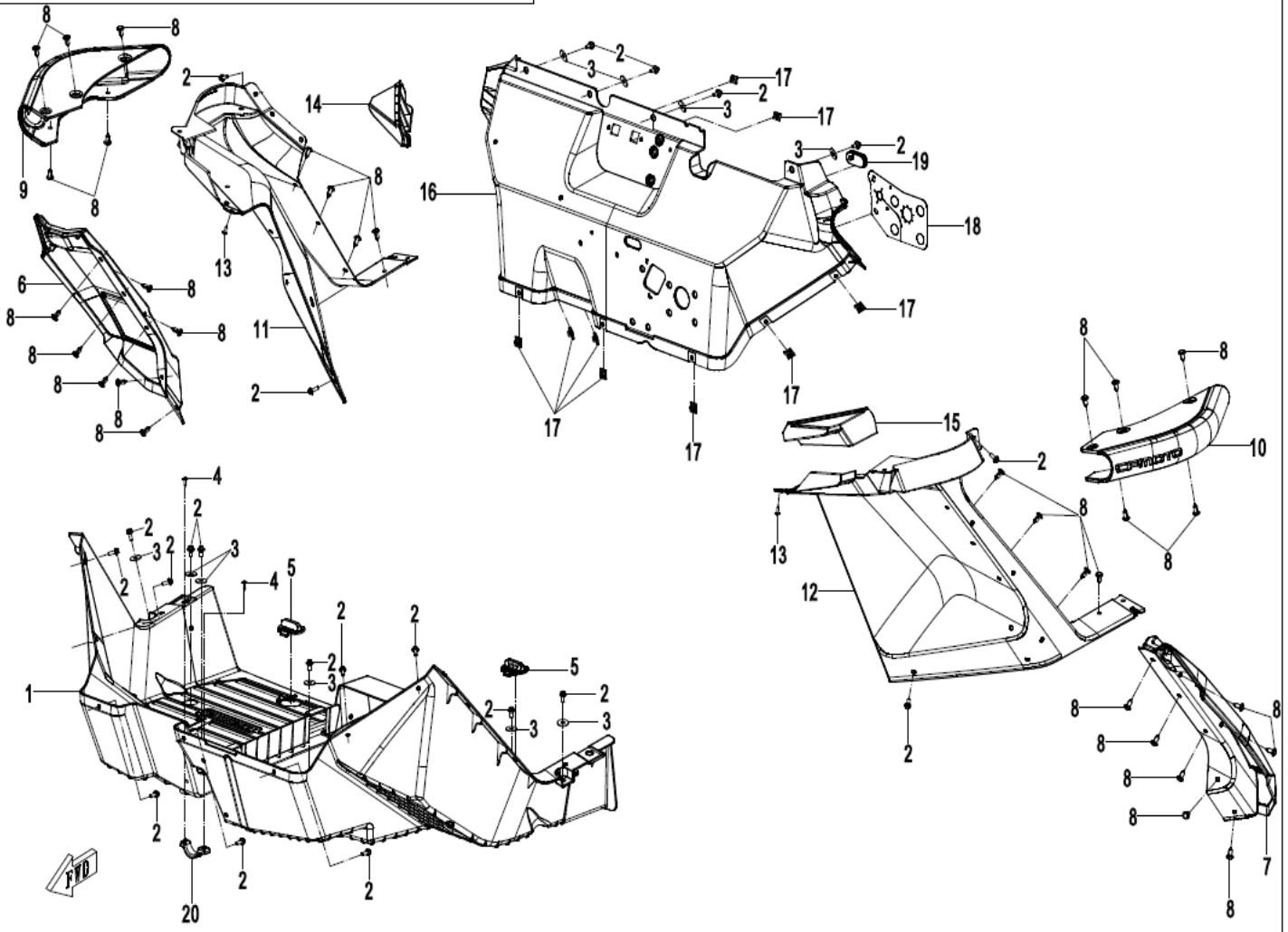
Item No.	Parts Number	Parts Name(EN)	Qty	Specification
1	30006-060016870	BOLT M6x16	10	M6x16
2	5BY0-041084	DECO GUARD, WINCH	1	
3	5BY0-041013	LOCK SEAT, RH FRONT REFLECTOR	1	
4	5BY0-041012	LOCK SEAT, LH FRONT REFLECTOR	1	
5	6090-040403	CUSHION SLEEVE, PANEL	2	
6	5HY#-040001-1000	BOLT M6x14	6	
7	30309-060870	WASHER 6X20X1.5	4	6X20X1.5
8	5BY0-041011	VENTILATION GRID	1	
9	5BY0-041035	SUPPORT MAT, RH HEADLIGHT	1	
10	5BY0-041034	SUPPORT MAT, LH HEADLIGHT	1	
11	5ASV-190019-6000	CFMOTO STICKER	1	
12	30110-481130010	SELF-TAPPING SCREW ST4.8x13	8	ST4.8x13
13	9060-040310	PLASTIC CLIPS	8	
14	5BYV-041021-A100-0BM00	PANEL, HEADLIGHT	1	NEBULA BLACK
14	5BYV-041021-A100-0VE00	PANEL, HEADLIGHT	1	PEARL WHITE
14	5BYV-041021-A100-0YD00	PANEL, HEADLIGHT	1	LAVA ORANGE
15	8030-040800-00001	NUT CLIP M6	3	M6
16	5BY0-043012	GUARD, RH FRONT SWING ARM	1	
17	5BY0-043011	GUARD, LH FRONT SWING ARM	1	
18	5BYV-043032-B000	FENDER, RH FRONT WHEEL	1	
19	5BYV-043031-B000	FENDER, LH FRONT WHEEL	1	



F04-2 FRONT PLASTICS

Item No.	Parts Number	Parts Name(EN)	Qty	Specification
1	5BYV-041041-1000	FRONT INNER LOCK PANEL	1	
2	30006-060016810	BOLT M6x16	8	M6x16
3	6NQ#-000206-6001	INNER HEX SCREW M6x16	2	M6x16
4	30305-060112	WASHER	4	6
5	30006-060020810	BOLT M6x20	4	M6x20
6	9060-040151	RUBBER COLLAR, CUPBOARD BUTTON	2	
7	8030-040800-00001	NUT CLIP M6	4	M6
8	8010-000002	CLAMP ST4.2	6	ST4.2
9	8010-000004	BOLT M6x14	2	M6x14
10	5BY0-041044	RH FRONT SERVICE PLATE	1	
11	5BY0-041043	LH FRONT SERVICE PLATE	1	
12	5BY0-041023-0BM00	UPPER DECO PLATE, RH HEADLIGHT	1	NEBULA BLACK
12	5BY0-041023-0VE00	UPPER DECO PLATE, RH HEADLIGHT	1	PEARL WHITE
12	5BY0-041023-0YD00	UPPER DECO PLATE, RH HEADLIGHT	1	LAVA ORANGE
13	5BY0-041022-0BM00	UPPER DECO PLATE, LH HEADLIGHT	1	NEBULA BLACK
13	5BY0-041022-0VE00	UPPER DECO PLATE, LH HEADLIGHT	1	PEARL WHITE
13	5BY0-041022-0YD00	UPPER DECO PLATE, LH HEADLIGHT	1	LAVA ORANGE
14	30110-421130010	SELF-TAPPING SCREW ST4.2x13	7	ST4.2x13
15	5BY0-041025	DECO PLATE, RH HOOK	1	
16	5BY0-041024	DECO PLATE, LH HOOK	1	
17	30110-481130010	SELF-TAPPING SCREW ST4.8x13	2	ST4.8x13
18	5BYV-041032-1000-0BM00	FRONT SERVICE COVER	1	NEBULA BLACK
18	5BYV-041032-1000-0VE00	FRONT SERVICE COVER	1	PEARL WHITE
18	5BYV-041032-1000-0YD00	FRONT SERVICE COVER	1	LAVA ORANGE
19	5BY0-041031-0BM00	FRONT TOP COVER	1	NEBULA BLACK
19	5BY0-041031-0VE00	FRONT TOP COVER	1	PEARL WHITE
19	5BY0-041031-0YD00	FRONT TOP COVER	1	LAVA ORANGE
20	9060-040310	PLASTIC CLIPS	4	
21	30110-420095010	SELF-TAPPING SCREW ST4.2x9.5	2	ST4.2x9.5
22	5BYV-042013-A100-0BM00	UPPER BRACKET, SWITCH	1	NEBULA BLACK
22	5BYV-042013-A100-0VE00	UPPER BRACKET, SWITCH	1	PEARL WHITE
22	5BYV-042013-A100-0VF00	UPPER BRACKET, SWITCH	1	MERCURY SILVER
23	5BYV-041042-A100	BATTERY BOX	1	
24	5BYV-040106-1000	RH KNUB	1	
25	5BYV-040105-1000	LH KNUB	1	
26	6KM#-040066-8001	SPONGE STRAP	4	
27	7030-040910	TIE BAND, BATTERY	1	

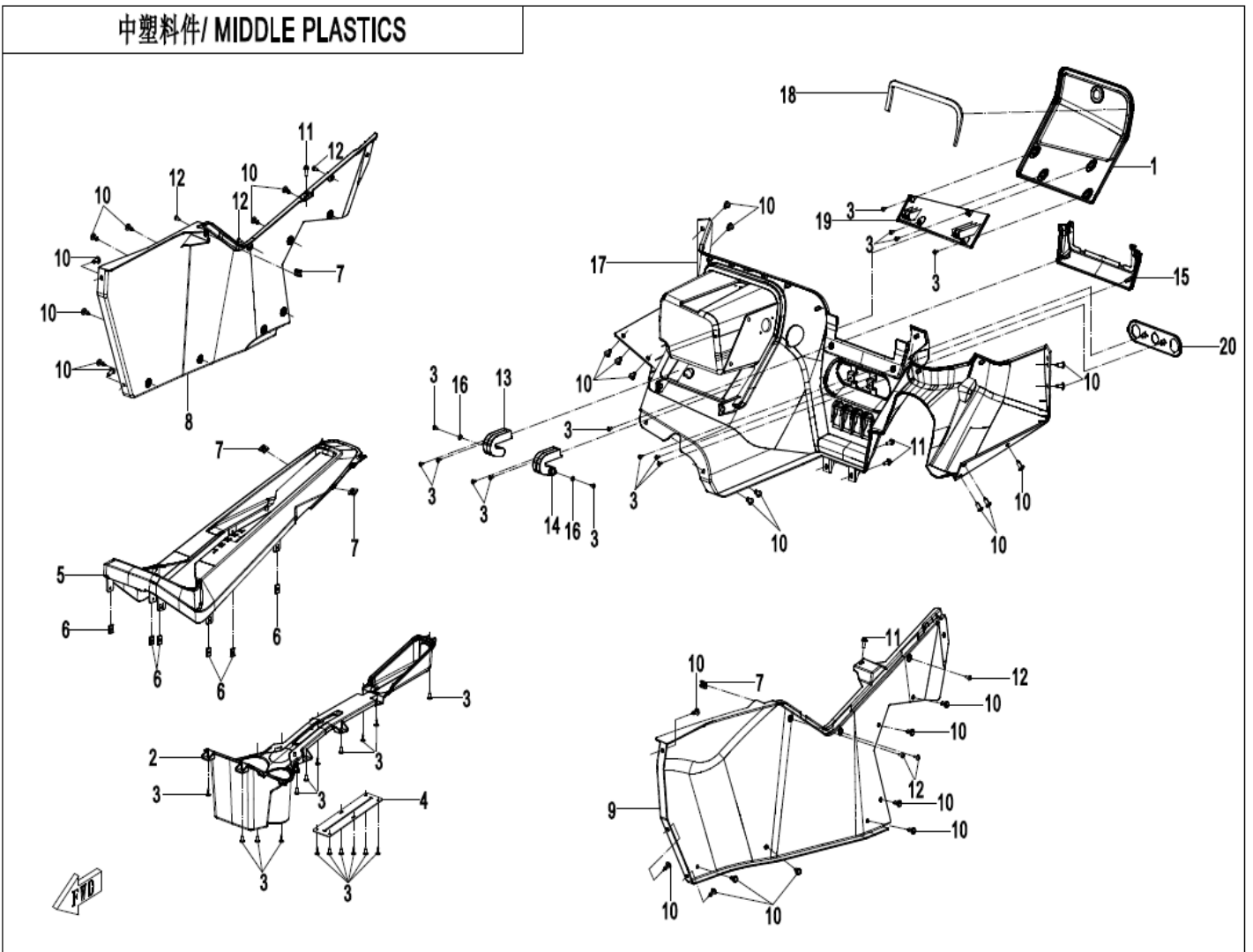
中塑料件/ MIDDLE PLASTICS



F04-3 MIDDLE PLASTICS

Item No.	Parts Number	Parts Name(EN)	Qty	Specification
1	5BYV-042031-A100	PEDAL	1	
2	30006-060016870	BOLT M6x16	21	M6x16
3	30309-060870	WASHER 6X20X1.5	10	6X20X1.5
4	30110-480130010	SELF-TAPPING SCREW ST4.8x13	2	ST4.8x13
5	5BY0-042032	PLUG, PEDAL	2	
6	5BY0-043034	REAR PART, RH FRONT FENDER	1	
7	5BY0-043033	REAR PART, LH FRONT FENDER	1	
8	9060-040310	PLASTIC CLIPS	32	
9	5BYV-041027-A100	RH DAMPING DECO PLATE	1	
10	5BYV-041026-A100	LH DAMPING DECO PLATE	1	
11	5BY0-042023	RH FRONT FENDER	1	
12	5BY0-042022	LH FRONT FENDER	1	
13	30110-421130010	SELF-TAPPING SCREW ST4.2x13	2	ST4.2x13
14	5BY0-041037	RH RUBBER SUPPORTER, HEADLIGHT PANEL	1	
15	5BY0-041036	LH RUBBER SUPPORTER, HEADLIGHT PANEL	1	
16	5BYV-042021-A100	FRONT FENDER	1	
17	5BY0-000301	NUT CLIP M6	9	
18	5BY0-042024	RUBBER, FRONT FENDER	1	
19	5BY0-042025	PLUG, THROTTLE CABLE	1	
20	5BY0-042033	BRACKET, CABLE	1	

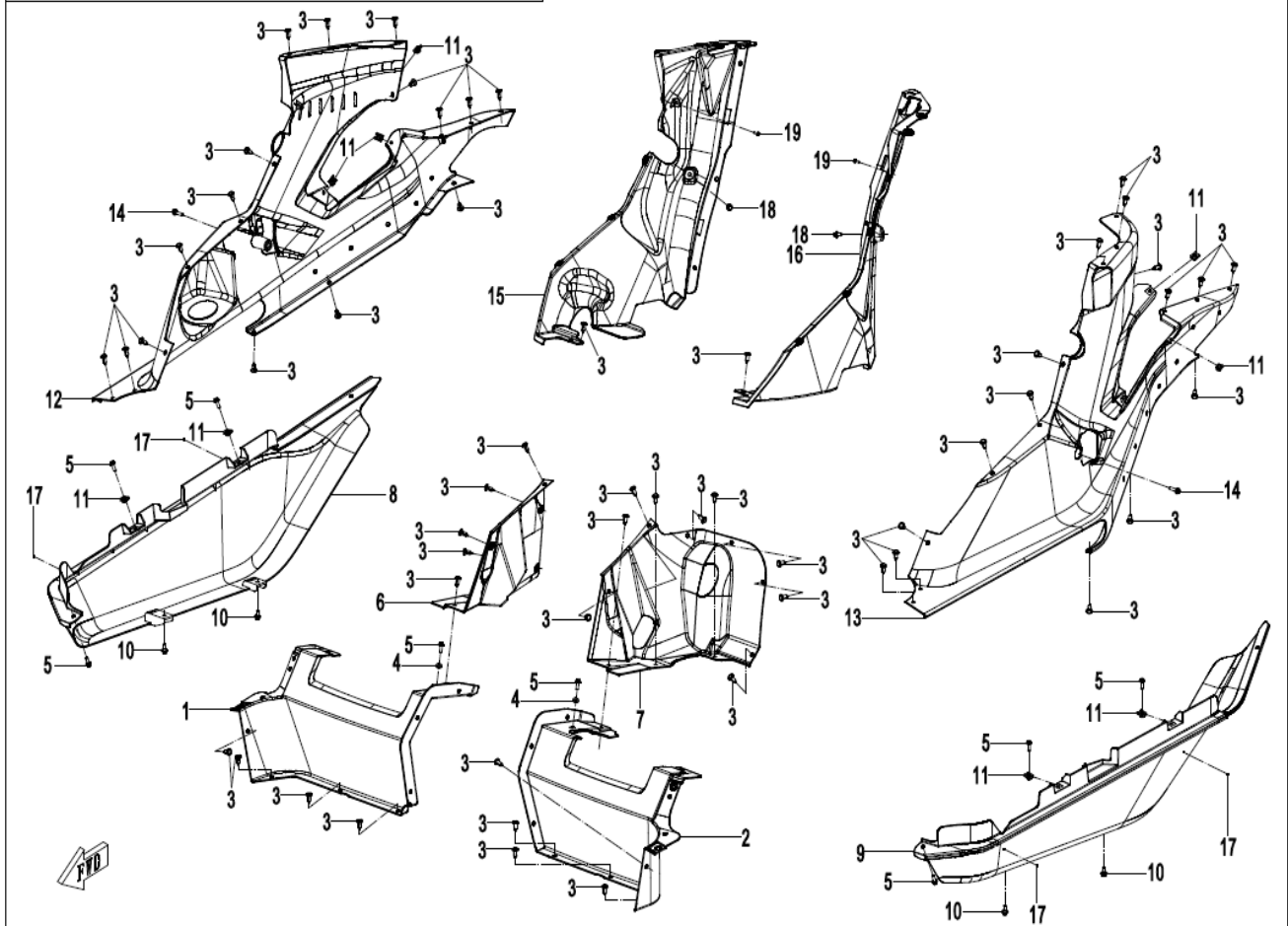
中塑料件/ MIDDLE PLASTICS



F04-4 MIDDLE PLASTICS

Item No.	Parts Number	Parts Name(EN)	Qty	Specification
1	5BY0-042015	STORAGE BOX COVER	1	
2	5BY0-042044	GEARSHIFT COVER	1	
3	30110-421130010	SELF-TAPPING SCREW ST4.2x13	31	ST4.2x13
4	5BY0-042046	SHADING RUBBER, GEARSHIFT LEVER	1	
5	5BYV-042043-A100-0BT00	MIDDLE PROTECTION COVER	1	ROCK SILVER BLACK
6	8010-000002	CLAMP ST4.2	6	ST4.2
7	8030-040800-00001	NUT CLIP M6	4	M6
8	5BYV-042042-A100	MIDDLE RH PANEL	1	
9	5BYV-042041-A100	MIDDLE LH PANEL	1	
10	9060-040310	PLASTIC CLIPS	29	
11	30006-060016810	BOLT M6x16	4	M6x16
12	30110-420130070	SELF-TAPPING SCREW ST4.2x13-C-H	6	ST4.2x13-C-H
13	5BY0-042018	RH ROTATION SHAFT, STORAGE BOX	1	
14	5BY0-042017	LH ROTATION SHAFT, STORAGE BOX	1	
15	5BY0-042014-0BM00	SWITCH LOWER BRACKET	1	NEBULA BLACK
15	5BY0-042014-0VE00	SWITCH LOWER BRACKET	1	PEARL WHITE
15	5BY0-042014-0YD00	SWITCH LOWER BRACKET	1	LAVA ORANGE
16	30305-060112	WASHER	2	6
17	5BYV-042011-A100	DASHBOARD PANEL	1	
18	5BY0-042019	SEAL STRAP, STORAGE BOX	1	
19	5BY0-042016	REINFORCEMENT PLATE, STORAGE BOX	1	
20	5BY0-042012	IGNITION SWITCH CAP (KEY)	1	

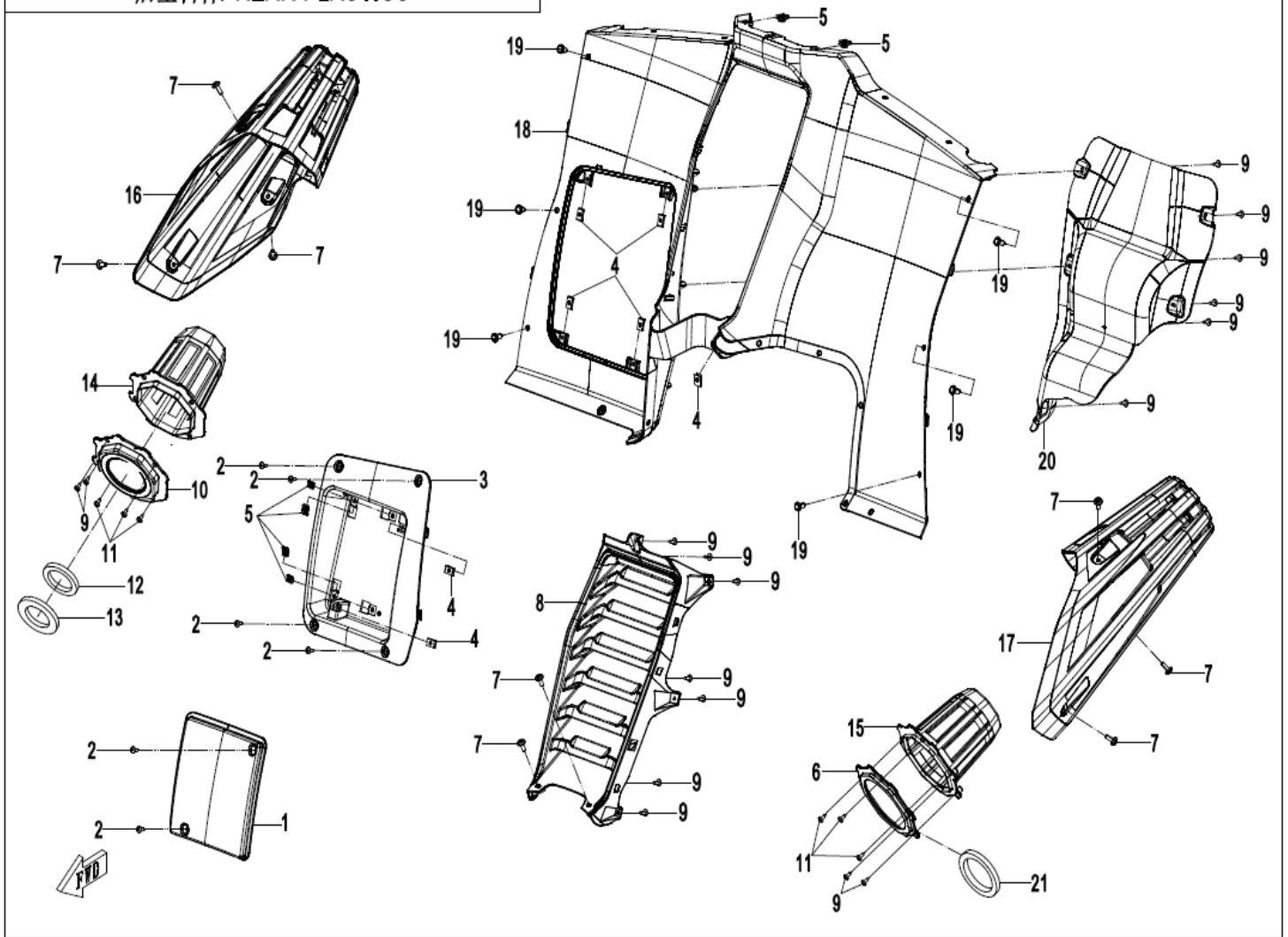
中塑料件/ MIDDLE PLASTICS



F04-5 MIDDLE PLASTICS

Item No.	Parts Number	Parts Name(EN)	Qty	Specification
1	5BYV-042052-A100	FRONT PANEL, RH SEAT	1	
2	5BYV-042051-A100	FRONT PANEL, LH SEAT	1	
3	9060-040310	PLASTIC CLIPS	56	
4	30309-060870	WASHER 6X20X1.5	2	6X20X1.5
5	30006-060016870	BOLT M6x16	8	M6x16
6	5BYV-041075-A100	MIDDLE RH PANEL, SEAT	1	
7	5BYV-041074-A100	MIDDLE LH PANEL, SEAT	1	
8	5BY0-041052	RH FRONT SIDE PANEL	1	
9	5BY0-041051	LH FRONT SIDE PANEL	1	
10	8010-000004	BOLT M6x14	4	M6x14
11	8030-040800-00001	NUT CLIP M6	10	M6
12	5BYV-041054-A100	RH REAR PANEL	1	
13	5BYV-041053-A100	LH REAR PANEL	1	
14	30006-060025810	BOLT M6x25	2	M6x25
15	5BYV-041073-A100	RH PANEL, SEAT	1	
16	5BYV-041072-A100	LH PANEL, SEAT	1	
17	5BY0-041055	PLUG, FRONT SIDE PANEL	4	
18	5HY#-040001-1000	BOLT M6x14	2	
19	30110-420160010	SELF-TAPPING SCREW ST4.2x16	2	ST4.2x16

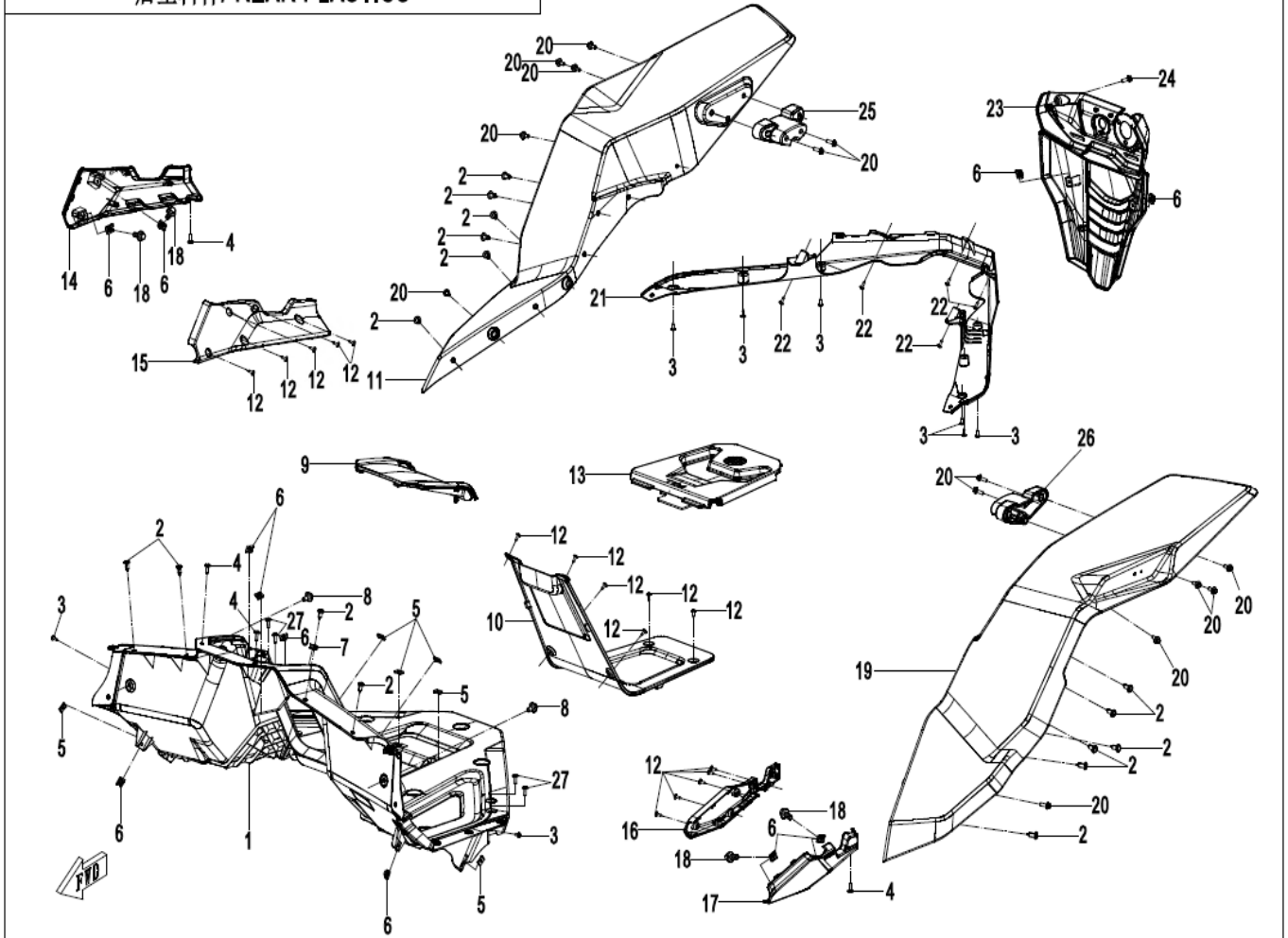
后塑料件/ REAR PLASTICS



F04-6 REAR PLASTICS

Item No.	Parts Number	Parts Name(EN)	Qty	Specification
1	5BY0-041076	ECU COVER	1	
2	30110-480160070	SELF-TAPPING SCREW	6	
3	5BYV-041077-A100	SERVICE COVER, SEAT REAR PANEL	1	
4	8010-000002	CLAMP ST4.2	7	ST4.2
5	8030-040800-00001	NUT CLIP M6	6	M6
6	5BYV-041069-A100	BRACKET, CVT AIR INLET PORT	1	
7	A010-120003	BOLT M6x16	6	M6x16
7	6NQ#-000206-6001	INNER HEX SCREW M6x16	8	M6x16
8	5BYV-042045-A100	REAR VENTILATION PLATE	1	
9	30110-421130010	SELF-TAPPING SCREW ST4.2x13	17	ST4.2x13
10	5BY0-041068	LOCK SEAT, AIR FILTER AIR INTAKE PIPE	1	
11	30110-420160010	SELF-TAPPING SCREW ST4.2x16	6	ST4.2x16
12	5BY0-041087	SEAL SPONGE 1, AIR FILTER INTAKE PORT	1	
13	5BY0-041086	SEAL SPONGE, AIR FILTER AIR INTAKE PIPE	1	
14	5BY0-041060	INNER DECO GUARD, AIR FILTER INLET PIPE	1	
15	5BYV-041063-A100	DECO GUARD, CVT AIR INLET PIPE	1	
16	5BY0-041062-0BT00	RH OUTER DECO GUARD, CVT	1	ROCK SILVER BLACK
16	5BY0-041062-0VF00	RH OUTER DECO PLATE,CVT	1	MERCURY SILVER
17	5BY0-041061-0BT00	LH OUTER DECO GUARD, CVT	1	ROCK SILVER BLACK
17	5BY0-041061-0VF00	LH OUTER DECO PLATE,CVT	1	MERCURY SILVER
18	5BYV-041071-A100	REAR PANEL, SEAT	1	
19	9060-040310	PLASTIC CLIPS	6	
20	5BYV-041078-A100	HEAT INSULATOR, SEAT REAR PANEL	1	
21	5BYV-041089-A100	SPONGE SEAL STRAP, CVT AIR INLET PORT	1	

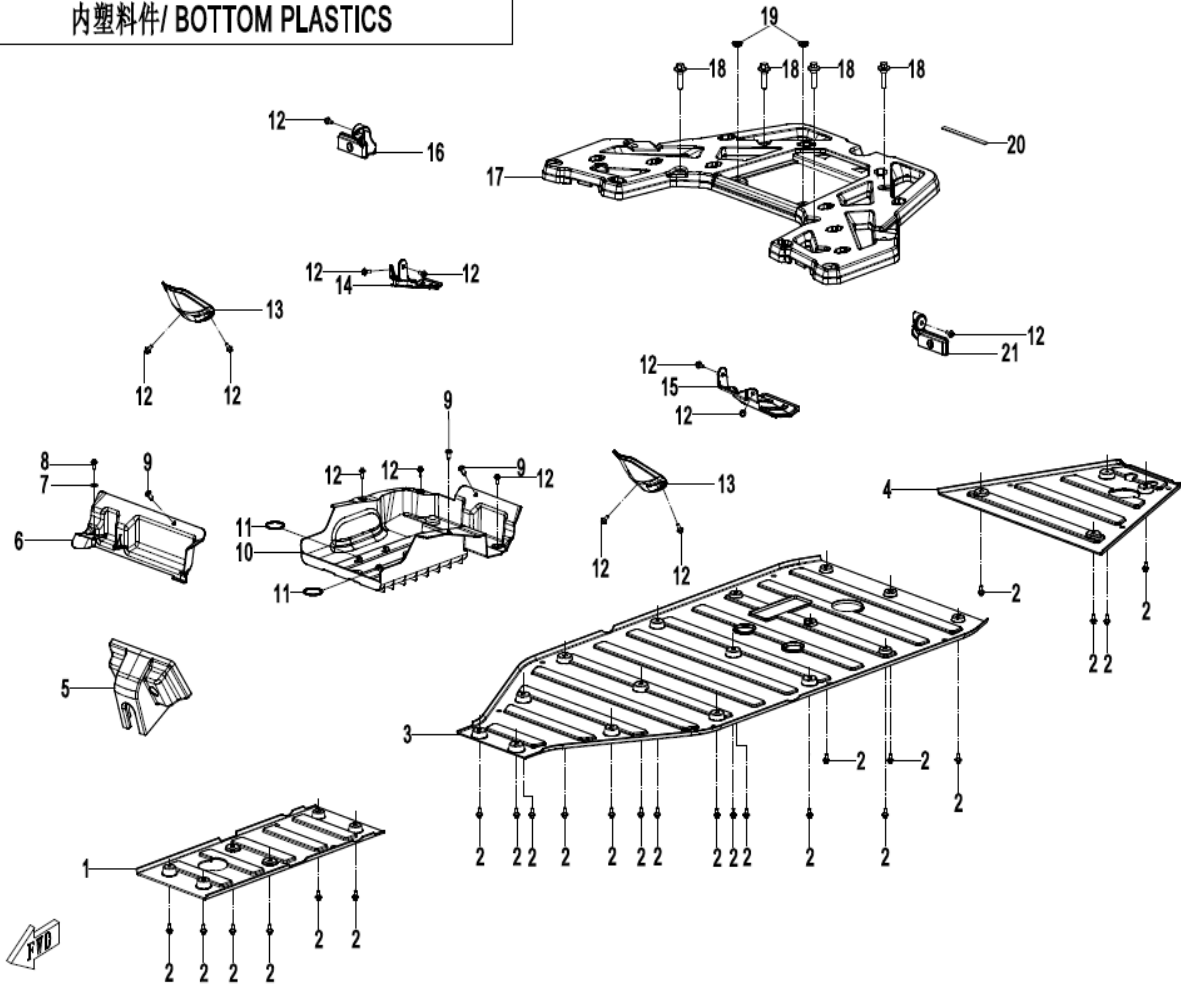
后塑料件/ REAR PLASTICS



F04-7 REAR PLASTICS

Item No.	Parts Number	Parts Name(EN)	Qty	Specification
1	5BY0-044012	BASE PLATE, CARGO BOX	1	
2	9060-040310	PLASTIC CLIPS	18	
3	30110-421130010	SELF-TAPPING SCREW ST4.2x13	8	ST4.2x13
4	6NQ#-000206-6001	INNER HEX SCREW M6x16	4	M6x16
5	8010-000002	CLAMP ST4.2	6	ST4.2
6	8030-040800-00001	NUT CLIP M6	11	M6
7	0180-015003	RUBBER SLEEVE	1	
8	5BY0-000304	BOLT M8x25	2	
9	5BY0-044013	PROTECTION COVER, AIR FITER	1	
10	5BYV-044014-A100	REAR SERVICE COVER	1	
11	5BYV-043036-B000	FENDER, RH REAR WHEEL	1	
12	30110-420130070	SELF-TAPPING SCREW ST4.2x13-C-H	16	ST4.2x13-C-H
13	5BYV-044019-A100	SERVICE COVER, REAR CARGO PLATE	1	
14	5BYV-044022-A100	RH DECO PLATE, REAR RACK	1	
15	5BY0-044024	RH INNER PANEL, REAR RACK	1	
16	5BY0-044023	LH INNER PANEL, REAR RACK	1	
17	5BYV-044021-A100	LH DECO PLATE, REAR RACK	1	
18	30006-060016810	BOLT M6x16	4	M6x16
19	5BYV-043035-B000	FENDER, LH REAR WHEEL	1	
20	30006-060016870	BOLT M6x16	8	M6x16
21	5BY0-044017	DECO GUARD, TAIL LIGHT	1	
22	30110-480130010	SELF-TAPPING SCREW ST4.8x13	5	ST4.8x13
23	5BY0-044025	TAIL GUARD	1	
24	5HY#-040001-1000	BOLT M6x14	1	
25	5BY0-043038	CONNECTING SEAT, RH REAR WHEEL FENDER	1	
26	5BY0-043037	CONNECTING SEAT, LH REAR WHEEL FENDER	1	
27	6NQ#-000205-6001	MOUNTING SCREW, CHAIN GUARD	4	
28	30309-060870	WASHER 6X20X1.5	2	6X20X1.5

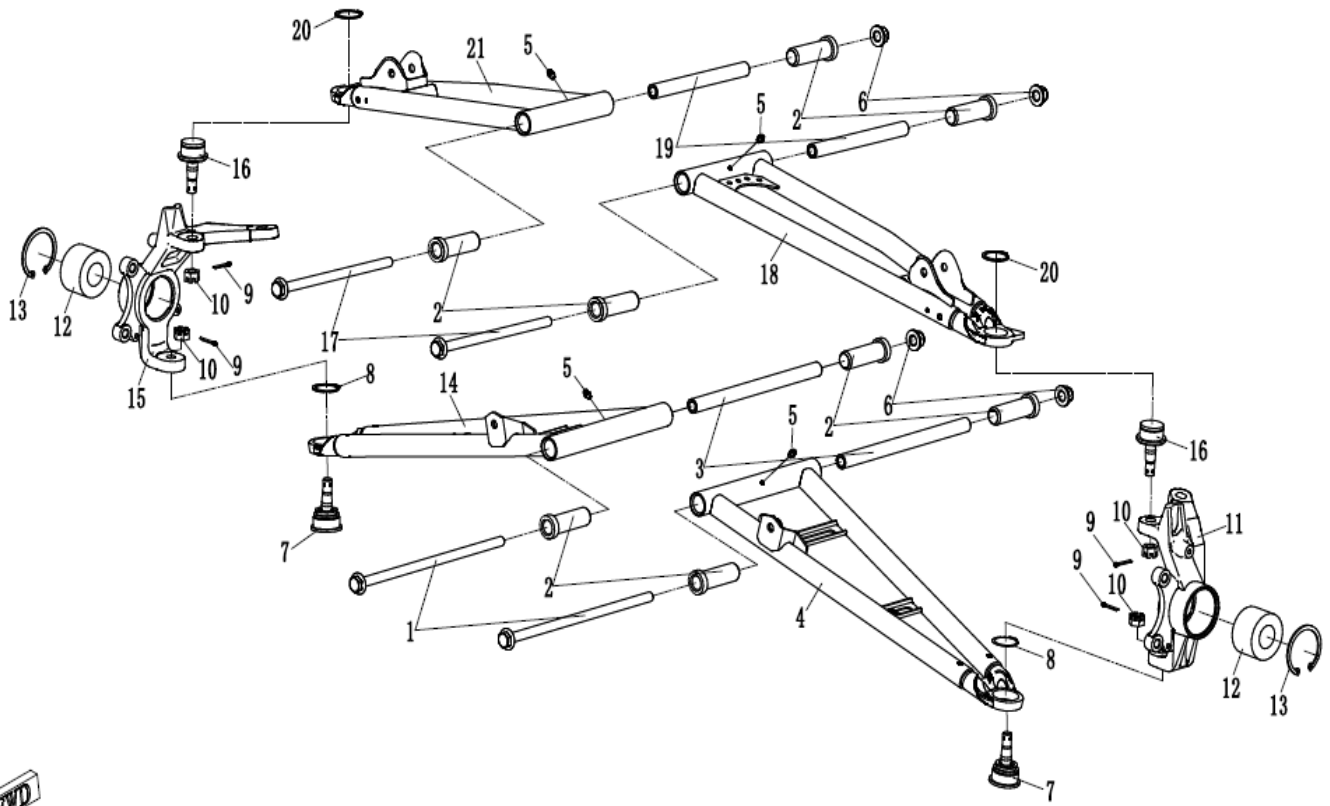
内塑料件/ BOTTOM PLASTICS



F04-8 BOTTOM PLASTICS

Item No.	Parts Number	Parts Name(EN)	Qty	Specification
1	5BY0-041081	FRONT BASE PLATE	1	
2	8010-090005	BOLT M6x16	25	M6x16
3	5BY0-041082	MIDDLE BASE PLATE	1	
4	5BY0-041083	REAR BASE PLATE	1	
5	5BYV-042074-A100	DASHBOARD GUARD	1	
6	5BYV-044027-A100	LOWER PANEL, RH SEAT	1	
7	30309-060870	WASHER 6X20X1.5	1	6X20X1.5
8	30006-060016870	BOLT M6x16	1	M6x16
9	9060-040310	PLASTIC CLIPS	3	
10	5BYV-044026-A100	LOWER PANEL, LH SEAT	1	
11	6100-200001	TIE BAND, TOOLS KIT	2	
12	5HY#-040001-1000	BOLT M6x14	15	
13	5BY0-060503	FENDER, REAR SHOCK ABSORBER	2	
14	5BY0-043022	GUARD, RH REAR SWING ARM	1	
15	5BY0-043021	GUARD, LH REAR SWING ARM	1	
16	5BY0-044016	LOCK SEAT, RH REAR REFLECTOR	1	
17	5BY0-044018	COVER PLATE, REAR CARGO BOX	1	
18	5BY0-000306	INNER HEX SCREW M8x52	4	
19	0180-015003	RUBBER SLEEVE	2	
20	9060-038129	SPONGE STRIP 1, HEAT INSULATOR	1	
21	5BY0-044015	LOCK SEAT, LH REAR REFLECTOR	1	

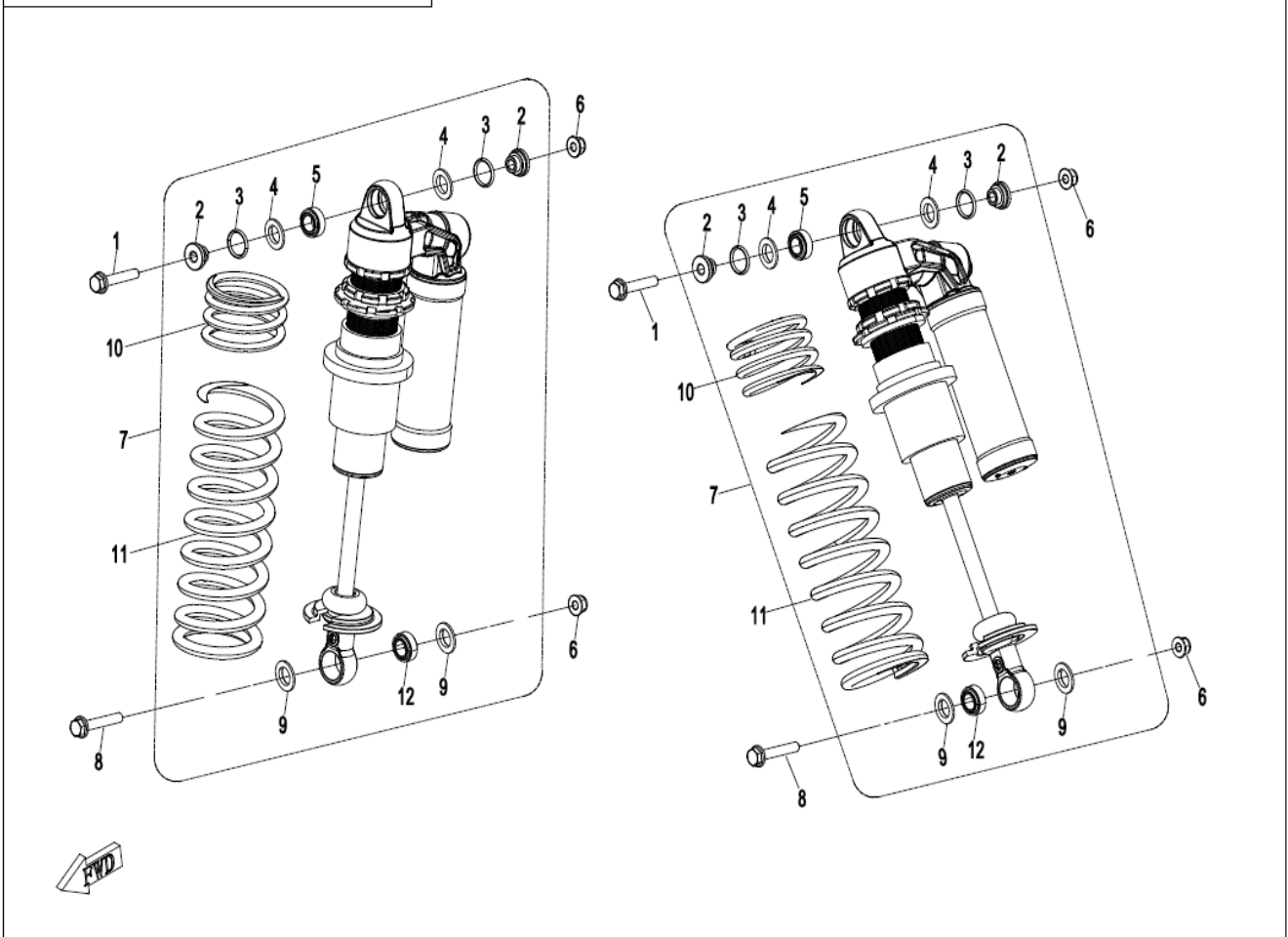
前悬架/ FRONT SUSPENSION



F05-1 FRONT SUSPENSION

Item No.	Parts Number	Parts Name(EN)	Qty	Specification
01	5BY0-050203	MOUNTING SHAFT, FRONT LOWER SWING ARM	2	
02	5BY0-050102	DAMPING SLEEVE, FRONT UPPER SWING ARM	8	
03	5BY0-050201	MIDDLE SPACER, FRONT LOWER SWING ARM	2	
04	5BYV-050210-A100	FRONT LOWER SWING ARM, LH	1	ELECTROPHORESIS BLACK
05	3120100	GREASE ZERK	4	
06	30204-122810	NUT M12x1.25	4	M12x1.25
07	9060-050900-10000	BALL PIN ASSY	2	CCVI
08	30801-03405		2	34
09	30903-0322210	COTTER PIN	4	3.2x22
10	30219-122810	NUT M12x1.25	4	M12x1.25
11	5BYV-050701-A100	LH STEERING KNUCKLE	1	
12	30411-03080	HUB BEARING	2	
13	30800-06005	CIRCLIP FOR HOLE	2	60
14	5BYV-050410-A100	FRONT LOWER SWING ARM, RH	1	ELECTROPHORESIS BLACK
15	5BYV-050801-A100	RH STEERING KNUCKLE	1	
16	9030-050600-10000	MAIN PIN ASSY	2	CCVI
17	5BY0-050103	MOUNTING SHAFT, FRONT UPPER SWING ARM	2	
18	5BYV-050110-A100	FRONT UPPER SWING ARM, LH	1	ELECTROPHORESIS BLACK
19	5BY0-050101	MIDDLE SPACER, FRONT UPPER SWING ARM	2	
20	30801-03205		2	32 A-TYPE
21	5BYV-050310-A100	FRONT UPPER SWING ARM, RH	1	ELECTROPHORESIS BLACK

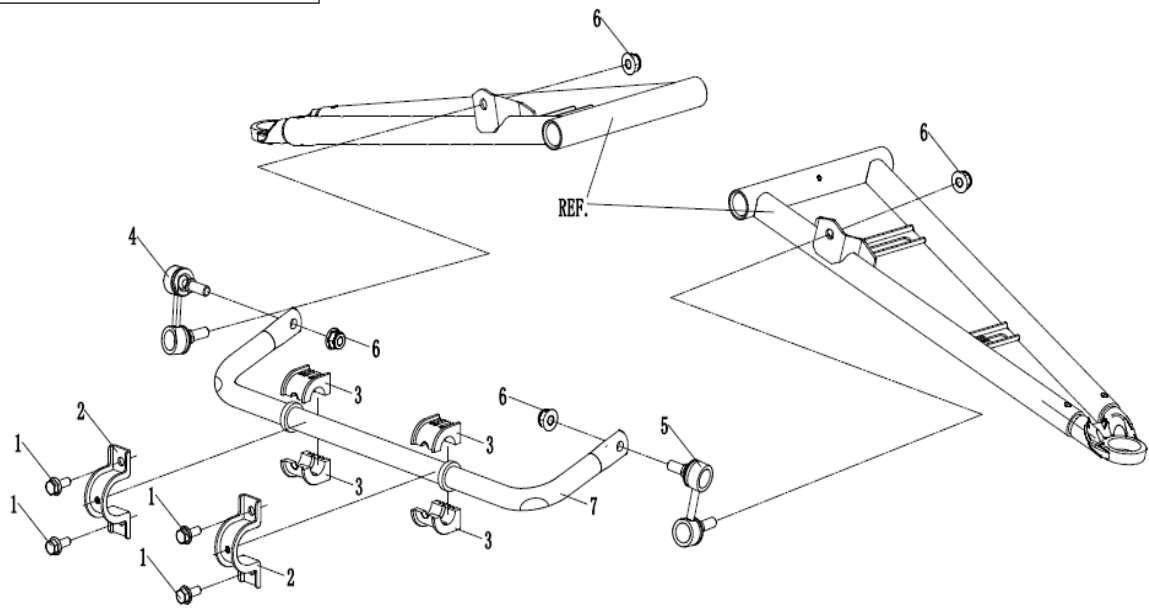
前減震器/ FRONT SHOCK ABSORBER



F05-2 FRONT SHOCK ABSORBER

Item No.	Parts Number	Parts Name(EN)	Qty	Specification
1	30006-102055110	BOLT	2	
2	5BYV-050500-A100-22	SPACER RING	4	
3	5BYV-050500-A100-23	O-RING	4	
4	5BYV-050500-A100-20	RETAINER	4	
5	5BYV-050500-A100-21	KNUCKLE BEARING ASSY	2	
6	30204-102810	NUT M10x1.25	4	M10x1.25
7	5BYV-050500-A100	FRONT SHOCK ABSORBER ASSY	2	
8	30006-102060110	BOLT	2	
9	5BYV-050500-A100-30	RETAINER, KNUCKLE BEARING	4	
10	5BYV-050500-A100-25	FRONT SPRING 1	2	
11	5BYV-050500-A100-27	FRONT SPRING 2	2	
12	5BYV-050500-A100-31	KNUCKLE BEARING ASSY	2	

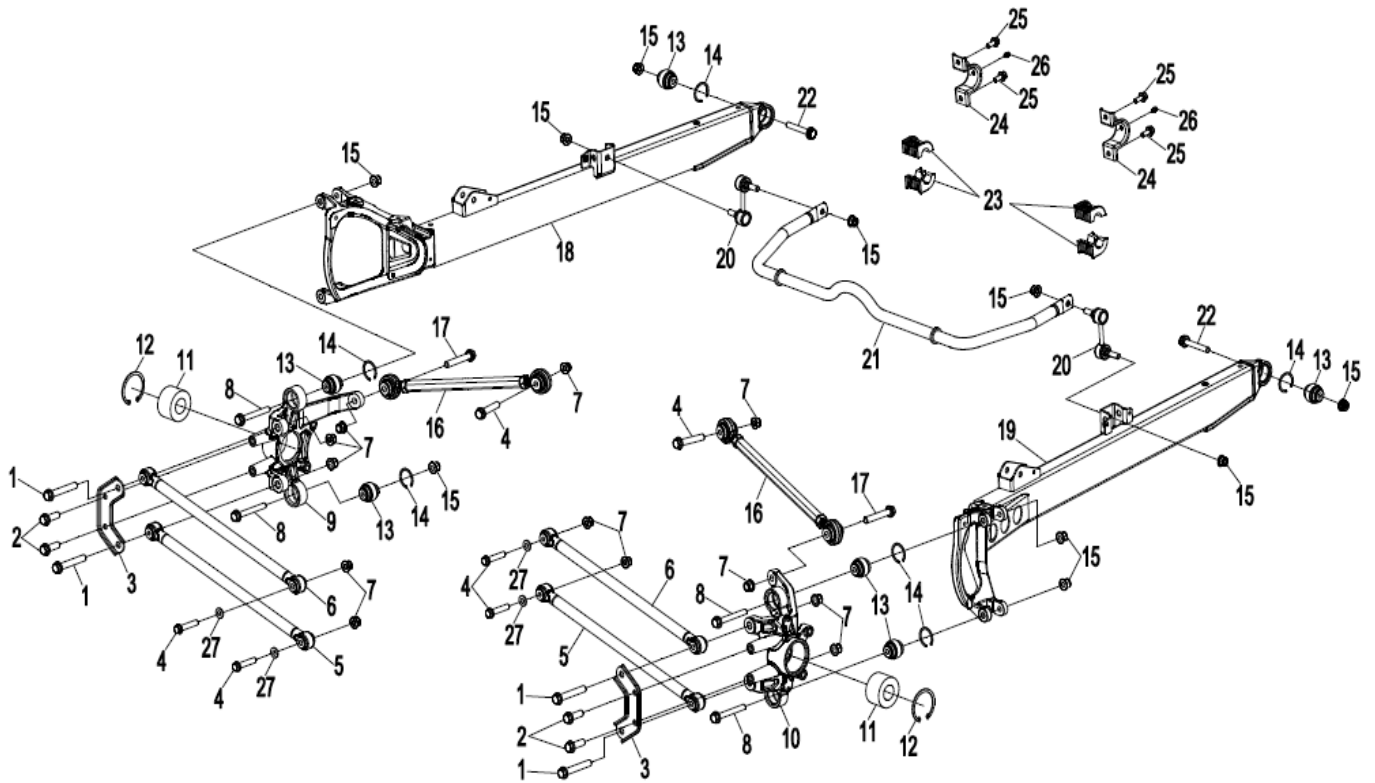
前悬架 / FRONT SUSPENSION



F05-3 FRONT SUSPENSION

Item No.	Parts Number	Parts Name(EN)	Qty	Specification
1	30006-080016810	BOLT M8x16	4	M8x16
2	9GQ0-060601-00001	COVER, SWAY BAR	2	
3	9GQ0-060003	SUPPORTER, SWAY BAR	4	
4	9010-060800-20000	BALL PIN, RH	1	CCVI
5	9010-060700-20000	BALL PIN, LH	1	CCVI
6	30204-102810	NUT M10x1.25	4	M10x1.25
7	5BYV-050610-A100	FRONT SWAY BAR ASSY	1	

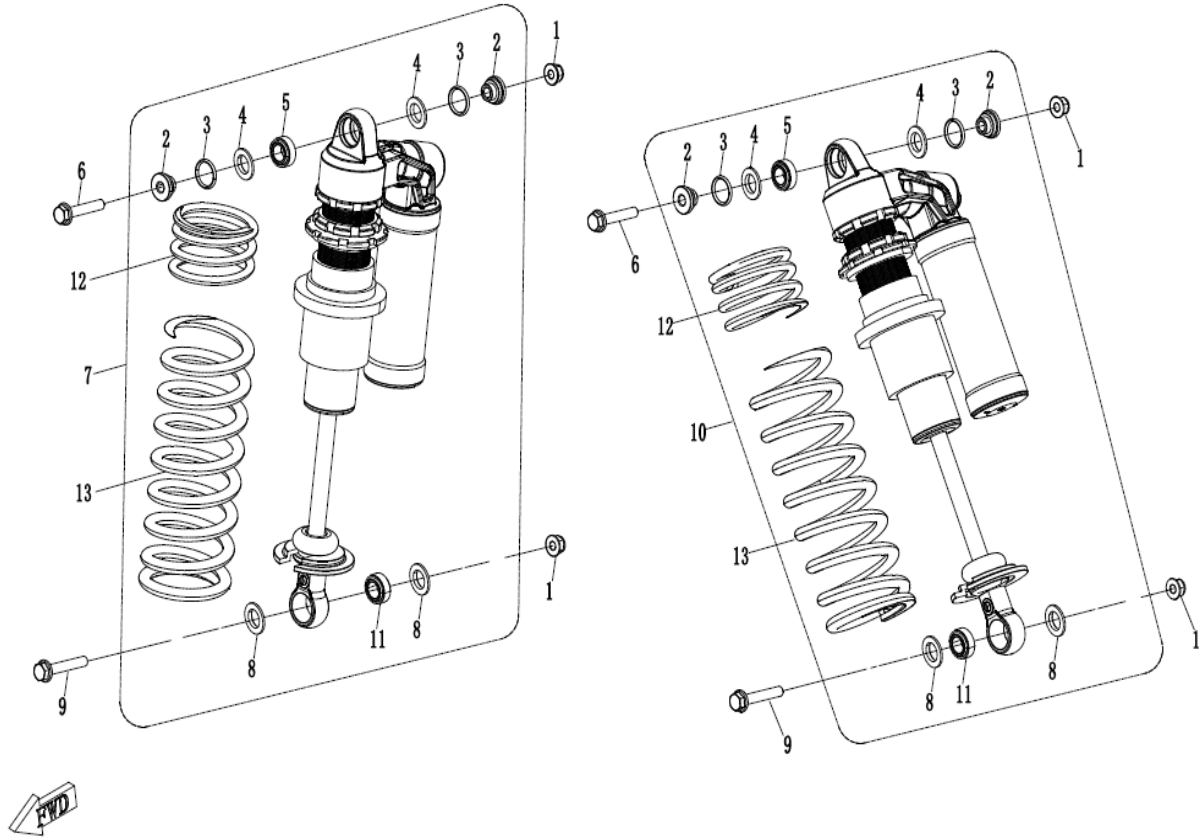
后悬架/REAR SUSPENSION



F06-1 REAR SUSPENSION

Item No.	Parts Number	Parts Name(EN)	Qty	Specification
01	5BY0-060703	MOUNTING SHAFT, REAR TIE ROD	4	
02	30006-102030810	BOLT M10x1.25x30	4	M10x1.25x30
03	5BY0-060702	MOUNTING BRACKET, REAR WHEEL SHAFT SEAT	2	
04	30001-122060160	BOLT M10x1.25x60	6	M10x1.25x60
05	5BY0-060400	LOWER TIE ROD, REAR WSING ARM	2	
06	5BY0-060300	UPPER TIE ROD, REAR WSING ARM	2	
07	30204-122810	NUT M12x1.25	12	M12x1.25
08	30006-102080110	BOLT	4	
09	5BYV-060701-1000	SUPPORT, REAR LH WHEEL SHAFT	1	
10	5BYV-060801-1000	SUPPORT, REAR RH WHEEL SHAFT	1	
11	30411-03080	HUB BEARING	2	
12	30800-06005	CIRCLIP FOR HOLE	2	60
13	5BY0-060120	BEARING, REAR SWING ARM	6	
14	5BY0-060102	BEARING RETAINER, SWING ARM	6	
15	30204-102810	NUT M10x1.25	10	M10x1.25
16	5BY0-060900	ADJUSTING LEVER, REAR SWING ARM	2	
17	30001-122070160	BOLT M10x1.25x70	2	M10x1.25x70
18	5BYV-060110-1000	REAR SWING ARM, LH	1	ELECTROPHORESIS BLACK
19	5BYV-060210-1000	REAR SWING ARM, RH	1	ELECTROPHORESIS BLACK
20	5BYA-060620	SWAY BAR BALL PIN	2	
21	5BYV-060610-A100	REAR SWAY BAR ASSY	1	
22	30006-102060110	BOLT	2	
23	5BWV-060003-5000	SEAT, SWAY BAR	4	
24	9030-060002	COVER, SWAY BAR	2	
25	30006-080016810	BOLT M8x16	4	M8x16
26	3121401	WASHER	2	
27	30306-120112	WASHER	4	12

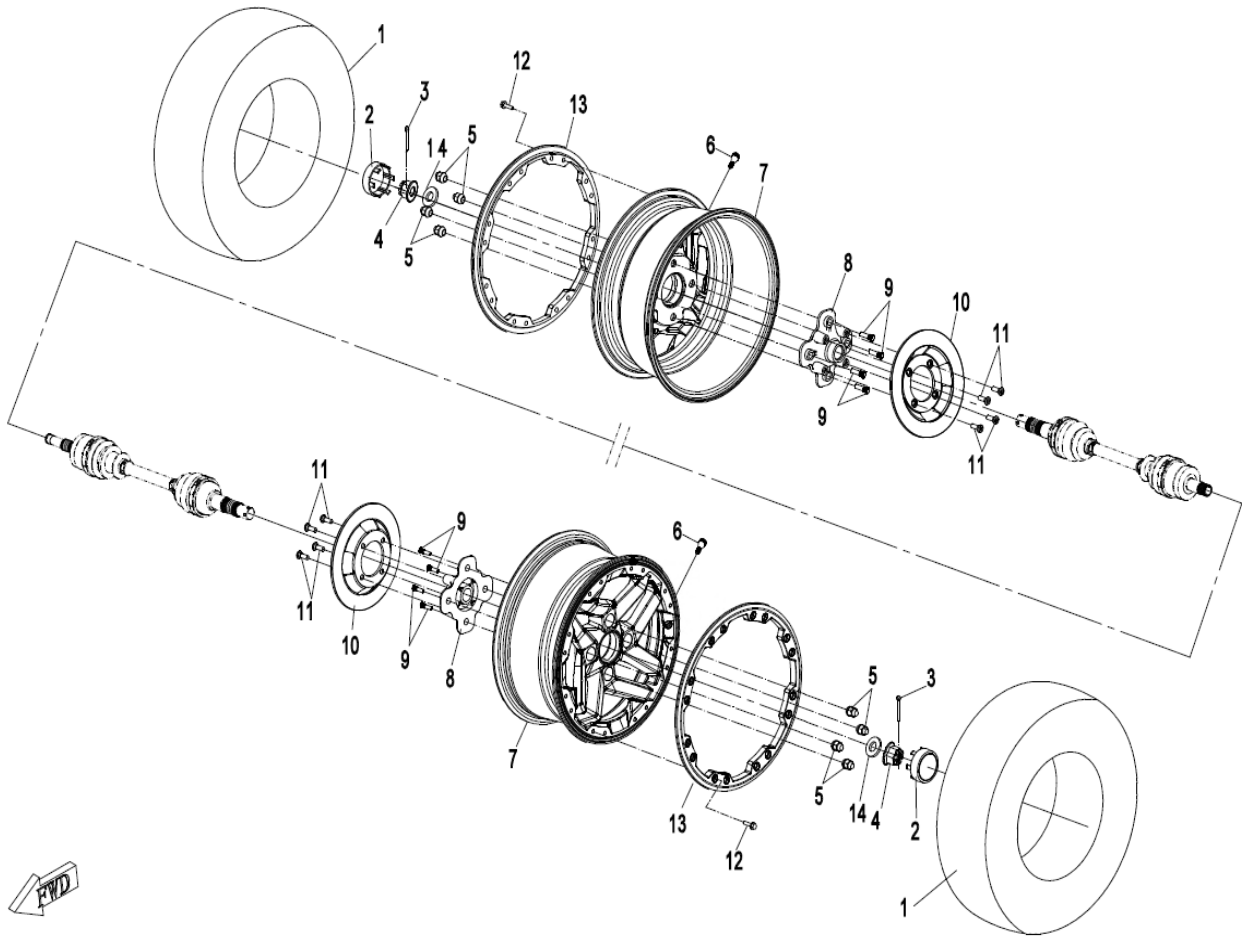
后减震器/REAR SHOCK ABSORBER



F06-2 REAR SHOCK ABSORBER

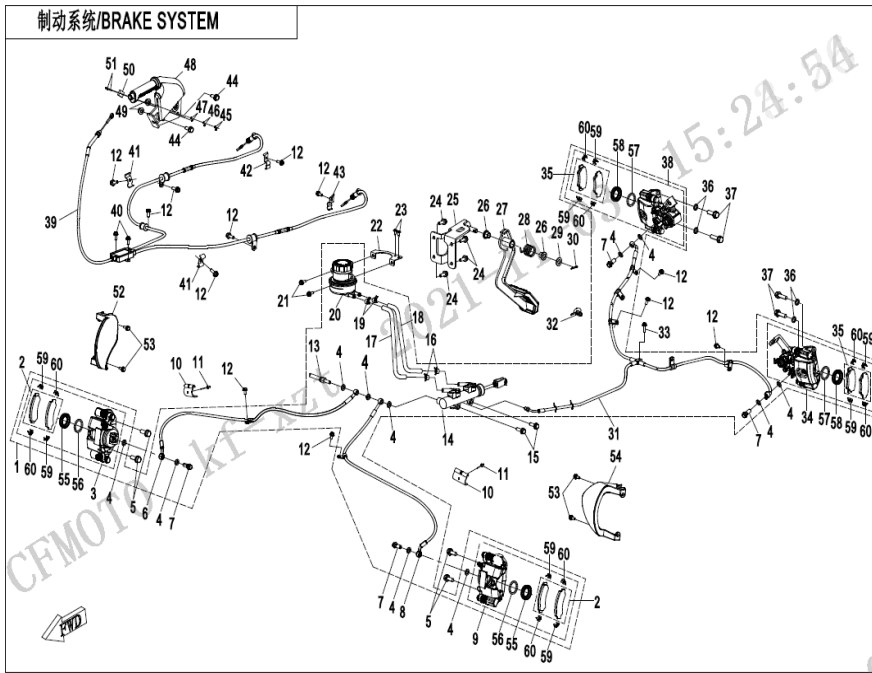
Item No.	Parts Number	Parts Name(EN)	Qty	Specification
01	30204-102810	NUT M10x1.25	4	M10x1.25
02	5BYV-060500-A100-22	SPACER RING	4	
03	5BYV-060500-A100-23	O-RING	8	
04	5BYV-060500-A100-20	RETAINER	8	
05	5BYV-060500-A100-21	KNUCKLE BEARING ASSY	2	
06	30006-102060110	BOLT	2	
07	5BYV-060600-A100	REAR RH SHOCK ABSORBER ASSY	1	
08	5BYV-060500-A100-30	RETAINER, KNUCKLE BEARING	4	
09	30006-102055110	BOLT	2	
10	5BYV-060500-A100	REAR LH SHOCK ABSORBER ASSY	1	
11	5BYV-060500-A100-31	KNUCKLE BEARING ASSY	2	
12	5BYV-060500-A100-25	REAR SPRING 1	2	
13	5BYV-060500-A100-27	REAR SPRING 2	2	

前轮/FRONT WHEEL



F07 FRONT WHEEL

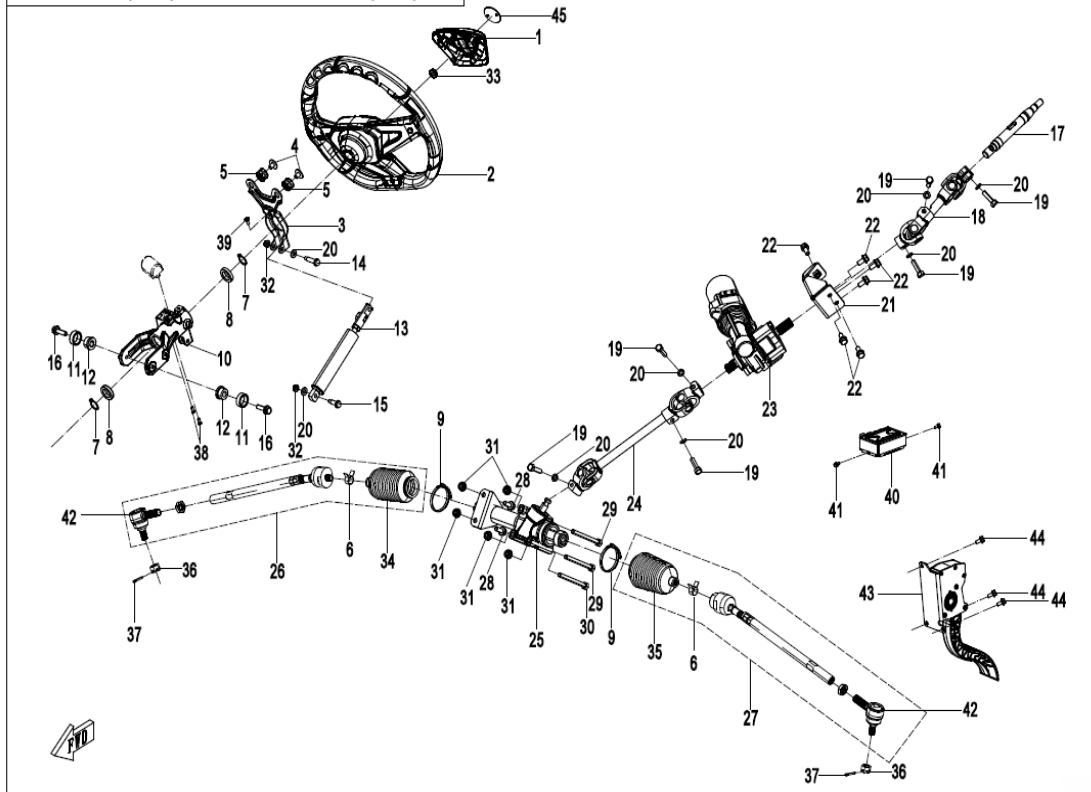
Item No.	Parts Number	Parts Name(EN)	Qty	Specification
01	30703-1443	FRONT TIRE	2	29x9.00R14_US
01	30703-1441	FRONT TIRE	2	
02	5ASV-070101-6001	DECO COVER, RIM	2	WITH CFMOTO LOGO
03	30903-0403610	COTTER PIN	2	40x36
04	5HY0-110001	HEX FLANGE NUT	2	
05	5HY0-070203	NUT, WHEEL	8	
06	5BYA-070030	INFLATION VALVE	2	
07	5BYV-070102-A000	FRONT RIM	2	
08	5HYV-070001-1400	BRACKET, FRONT WHEEL	2	
09	5HY0-070201	BOLT, WHEEL	8	
10	5HY0-080001	FRONT BRAKE DISC	2	
11	A000-080001	SCREW	8	
12	30006-080025870	BOLT M8x25	32	M8x25
13	5BYV-070101-A000	LOCK RING	2	
14	30306-200112	WASHER	2	



F08 BRAKE SYSTEM

Item No.	Parts Number	Parts Name(EN)	Qty	Specification
01	5BYV-081000-A100	HYDRAULIC BRAKE ASSY	1	
02	9AWA-0811A0	BRAKE PAD ASSY	2	
03	9AWA-081200	FRONT BRAKE CALIPER, RH	1	
04	901B-080102	WASHER	11	80
05	30006-102025810	BOLT M10x1.25x25	4	M10x1.25x25
06	5BY0-081030	RH FRONT BRAKE FLUID HOSE	1	
07	7020-081004	BANJO BOLT	4	
08	5BY0-081010	LH FRONT BRAKE FLUID HOSE	1	
09	9AWA-081100	FRONT BRAKE CALIPER, LH	1	
10	5BY0-080002	PLASTIC CLASP	2	
11	30902-0400820	BLIND RIVET	2	4x8
12	30006-060012810	BOLT M6x12	12	M6x12
13	5HY0-080010-20000	HYDRAULIC INDUCTION SWITCH	1	
14	5BWB-081100	MASTER CYLINDER	1	
15	30006-080025810	BOLT	2	M8x25
16	7020-081002	PIPE CLIP, MASTER CYLINDER	2	
17	5BY0-081001	FLUID RESERVOIR HOSE 1	1	
18	5BY0-081002	FLUID RESERVOIR HOSE 2	1	
19	9010-080405	CLAMP	2	
20	5BW1-080150-20000	RESERVOIR ASSY	1	
21	30006-060016810	BOLT M6x16	2	M6x16
22	5UWB-030110	BRACKET, OIL CUP	1	
23	30110-480130010	SELF-TAPPING SCREW ST4.8x13	2	ST4.8x13
24	30006-080025870	BOLT M8x25	4	M8x25
25	5BY0-080010	FIXED BRACKET, FOOT PEDAL	1	
26	9060-105002	BUSHING	2	
27	5HYV-082000-1201	BRAKE PEDAL ASSY	1	
28	9060-080003	RETURN SPRING	1	
29	30306-120112	WASHER	1	12
30	30903-0322210	COTTER PIN	1	3.2x22
31	5BY0-081020	REAR BRAKE FLUID HOSE	1	
32	7030-150005	TIE BAND	1	
33	30006-060020810	BOLT M6x20	1	M6x20
34	5BYD-081060-A100	REAR LH BRAKE CALIPER ASSY	1	
35	7020-0810A0	REAR BRAKE PAD ASSY	2	
36	30300-100112	WASHER	4	
37	30006-102035810	BOLT M10x1.25x35	4	M10x1.25x35
38	5BYD-081050-A100	REAR RH BRAKE CALIPER ASSY	1	
39	5BY0-083100	PARKING CABLE	1	
40	30006-050016810	BOLT M5x16	2	M5x16
41	5BY0-080001	CLIP I, LH OIL HOSE	2	
42	5BY0-080006	CLIP III, RH OIL HOSE	1	
43	5BY0-080005	CLIP III, LH OIL HOSE	1	
44	30006-080020810	BOLT M8x20	2	M8x20
45	30200-020500	NUT M2	2	M2
46	30303-020900	WASHER	2	2
47	30306-020800	WASHER	2	2
48	5BY0-083200	HAND BRAKE ASSY	1	
48	5BYV-083200-B000	HAND BRAKE	1	
49	30204-080810	NUT M8	2	M8
50	7000-082210-20000	MICRO SWITCH	1	
51	30105-020016700	SCREW M2x16	2	M2x16
52	5BY0-080008	GUARD, FRONT RH BRAKE CALIPER	1	
53	8010-000004	BOLT M6x14	4	M6x14
54	5BY0-080007	GUARD, FRONT LH BRAKE CALIPER	1	
55	5HYV-081100-1B00-20	DUST SEAL, PISTON	2	
56	5HYV-081100-1B00-21	DUST SEAL, PISTON	2	
57	5BYV-081300-1300-21	DUST SEAL, PISTON	2	
58	5BYV-081300-1300-20	DUST SEAL, PISTON	2	
59	5HYV-081100-1B00-22	BRACKET 1	8	
60	5HYV-081100-1B00-23	BRACKET 2	8	
61	30903-0162010	COTTER PIN	1	
62	30904-0602010	PIN SHAFT	1	6x20 TRIVALENT CHROMIUM
63	9010-080104	CIRCLIP	3	

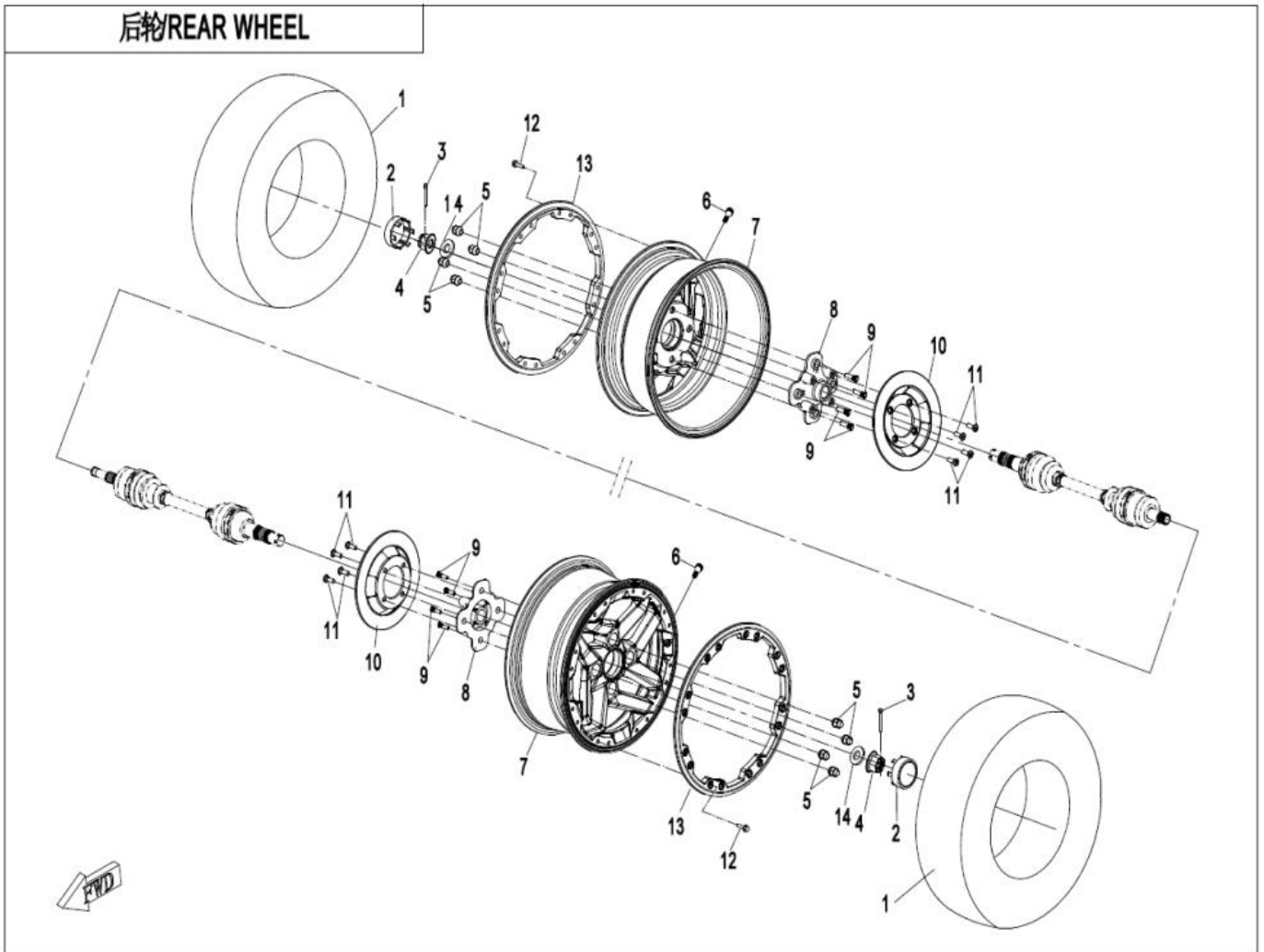
转向系统(EPS)/ STEERING SYSTEM(EPS)



F10 STEERING SYSTEM

Item No.	Parts Number	Parts Name(EN)	Qty	Specification
01	5BYV-102001-A100	PRESS COVER, STEERING WHEEL	1	
02	5BYV-102100-A100	STEERING WHEEL	1	
03	5BYV-103501-A100	BRACKET, DASHBOARD	1	
04	5020-031002	RUBBER SLEEVE LINER, FRONT LICENSE BRACKET	2	
05	5020-031001	RUBBER SLEEVE, FRONT LICENSE BRACKET	2	
06	5BY0-104102	CLAMP	2	
07	30801-02005		2	20
08	30400-02005	BEARING	2	6804Z
09	8010-150003	TIE BAND	2	5x250
10	5BY0-102004	BRACKET, STEERING WHEEL	1	
11	9060-100008-00001	METAL BUSHING, STEERING COLUMN	2	
12	9060-100009	NYLON BUSHING, STEERING COLUMN	2	
13	5BY0-100200-00001	GAS SPRING ASSY	1	
14	9060-102002-00001	UPPER FIXED BOLT, GAS SPRING	1	
15	9060-102003-00002	LOWER LOCK BOLT, GAS SPRING	1	
16	30006-080030810	BOLT M8x30	2	M8x30
17	7000-100001	STEERING COLUMN	1	
18	5BY0-103100	UPPER STEERING UNIVERSAL SHAFT	1	
19	30004-080030810	BOLT	6	M8x30
20	30303-080112	WASHER	8	8
21	5BY0-103400	MOUNTING BRACKET, EPS	1	
22	30006-080016810	BOLT M8x16	6	M8x16
23	7030-106200-00001	EPS ASSY	1	
24	5BY0-103200	LOWER STEERING UNIVERSAL SHAFT	1	
25	5BY0-104060	STEERING MOTOR	1	
26	5BYV-104200-A100	RH STEERING LEVER ASSY	1	
27	5BYV-104100-A100	LH STEERING LEVER ASSY	1	
28	30006-080020810	BOLT M8x20	2	M8x20
29	30006-080090810	BOLT M8x90	2	M8x90
30	30006-080080810	BOLT M8x80	1	M8x80
31	30204-080810	NUT M8	5	M8
32	30204-060810	NUT M6	2	M6
33	30204-122810	NUT M12x1.25	1	M12x1.25
34	5BY0-104201	RH PROTECTION SLEEVE, TIE ROD	1	
35	5BY0-104101	LH PROTECTION SLEEVE, TIE ROD	1	
36	30219-122810	NUT M12x1.25	2	M12x1.25
37	30903-0322210	COTTER PIN	2	3.2x22
38	30107-060012410	SCREW M6x12	2	M6x12
39	30105-050010410	SCREW M5x10	1	M5x10
40	5BY0-150800	EPS CONTROLLER	1	
40	5BYV-150810-1300	EPS CONTROLLER	1	
41	30006-060012810	BOLT M6x12	2	M6x12
42	5BY0-104120	HITCH BALL ASSY SQM	2	
43	5BYV-152800-1000-M1	THROTTLE PEDAL, ELECTRIC	1	
44	30006-060016870	BOLT M6x16	3	M6x16
45	5ASV-190001-6000	CFMOTO LOGO	1	

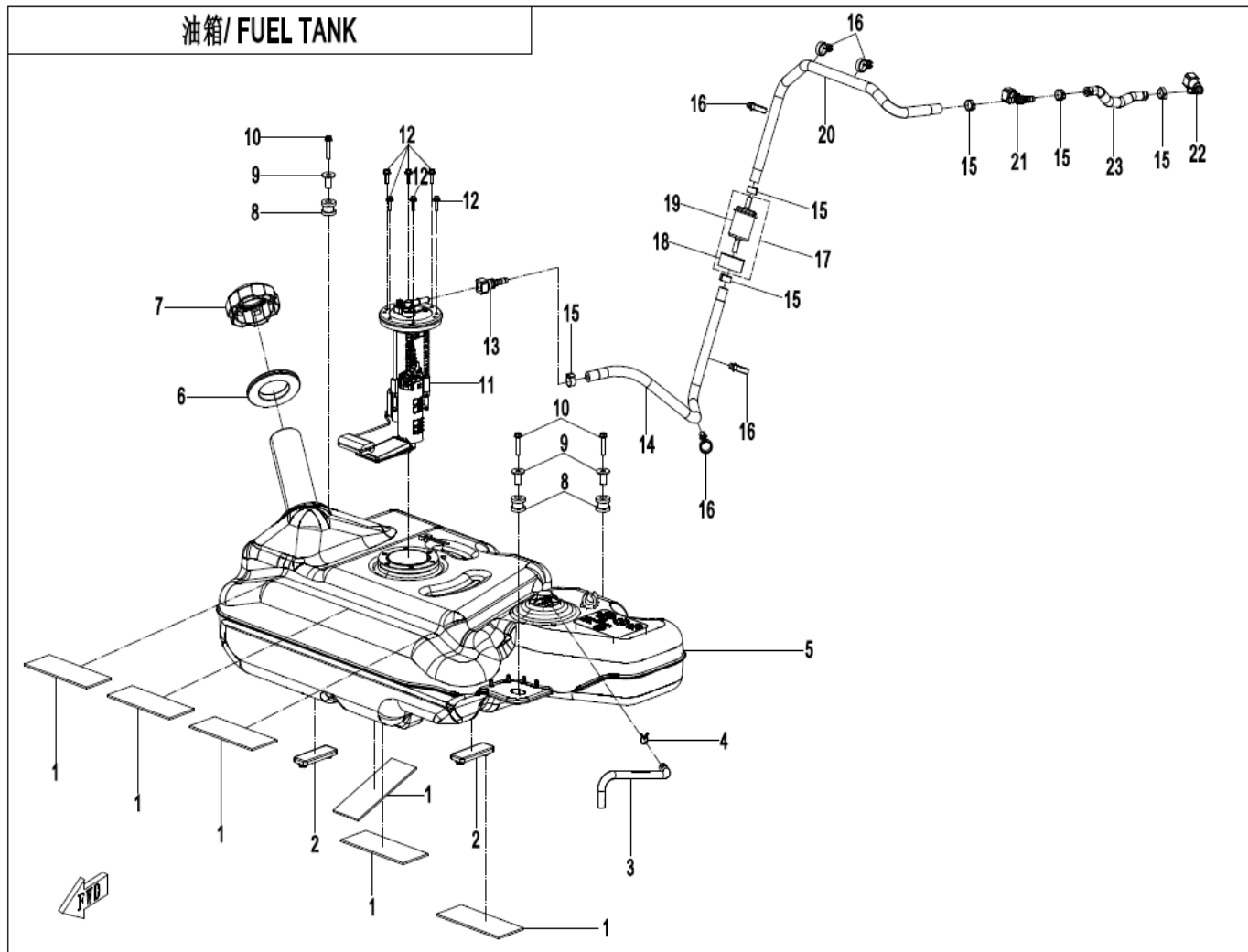
后轮 REAR WHEEL



F11 REAR WHEEL

Item No.	Parts Number	Parts Name(EN)	Qty	Specification
01	30703-1444	REAR TIRE	2	
01	30703-1442	REAR TIRE	2	
02	5ASV-070101-6001	DECO COVER, RIM	2	WITH CFMOTO LOGO
03	30903-0403610	COTTER PIN	2	40x36
04	5HY0-110001	HEX FLANGE NUT	2	
05	5HY0-070203	NUT, WHEEL	8	
06	5BYA-070030	INFLATION VALVE	2	
07	5BYV-110102-A000	REAR RIM	2	
08	5HYV-070001-1400	BRACKET, FRONT WHEEL	2	
09	5HY0-070201	BOLT, WHEEL	8	
10	5HY0-080001	FRONT BRAKE DISC	2	
11	A000-080001	SCREW	8	
12	30006-080025870	BOLT M8x25	32	M8x25
13	5BYV-070101-A000	LOCK RING	2	
14	30306-200112	WASHER	2	

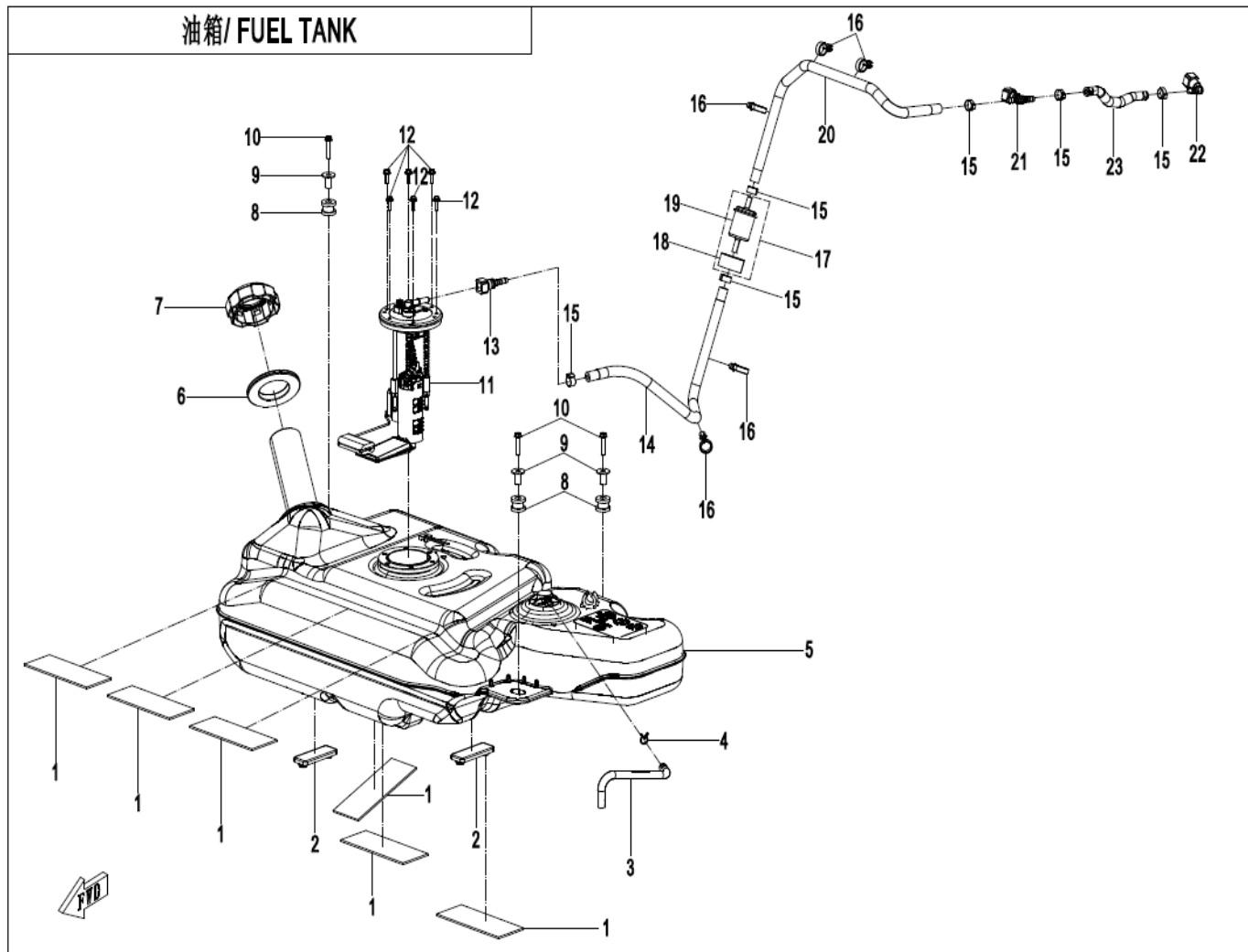
油箱/ FUEL TANK



F12 FUEL TANK

Item No.	Parts Number	Parts Name(EN)	Qty	Specification
01	9060-038128	SPONGE STRIP 2, HEAT INSULATOR	6	
02	9AWA-120001-00001	DAMPER, FUEL TANK	2	
03	5BYV-120001-A100	BREATHER HOSE, FUEL TANK	1	
04	30601-112010	CLAMP A12	1	A12
05	5BY0-120100	FUEL TANK	1	
06	9AW#-120002-2500	RUBBER, FUEL TANK FILLER	1	
07	9DS#-120300-6000	CAP, FUEL TANK	1	
08	7020-120103	DAMPER, FUEL TANK	3	
09	7020-120160	CUSHION LINER, FUEL TANK	3	
10	30006-060030810	BOLT M6x30	3	M6x30
11	5BY0-150900	FUEL PUMP ASSY	1	
12	30006-050014810	BOLT M5x14	6	M5x14
13	6KJ0-120330-10000	QUICK JOINT	1	
14	5BY0-120220	HIGH-PRESURE FUEL HOSE ASSY 2	1	
15	7020-120006	CLAMP Dia 16.6	6	
16	A000-050015	WIRE CLIP, FRONT BRAKE FLUID HOSE	5	
17	6090-120220	FUEL FILTER ASSY, EFI	1	
18	6090-120221	RUBBER SLEEVE, FUEL FILTER, EFI	1	
19	805A-120004	FUEL FILTER, EFI	1	
20	5BY0-120210	HIGH-PRESURE FUEL HOSE ASSY 1	1	
21	9AWA-120010	QUICK T-JOINT	1	
22	6090-120210	QUICK JOINT	1	
23	5BYV-120210-1000	HIGH-PRESURE FUEL HOSE ASSY	1	

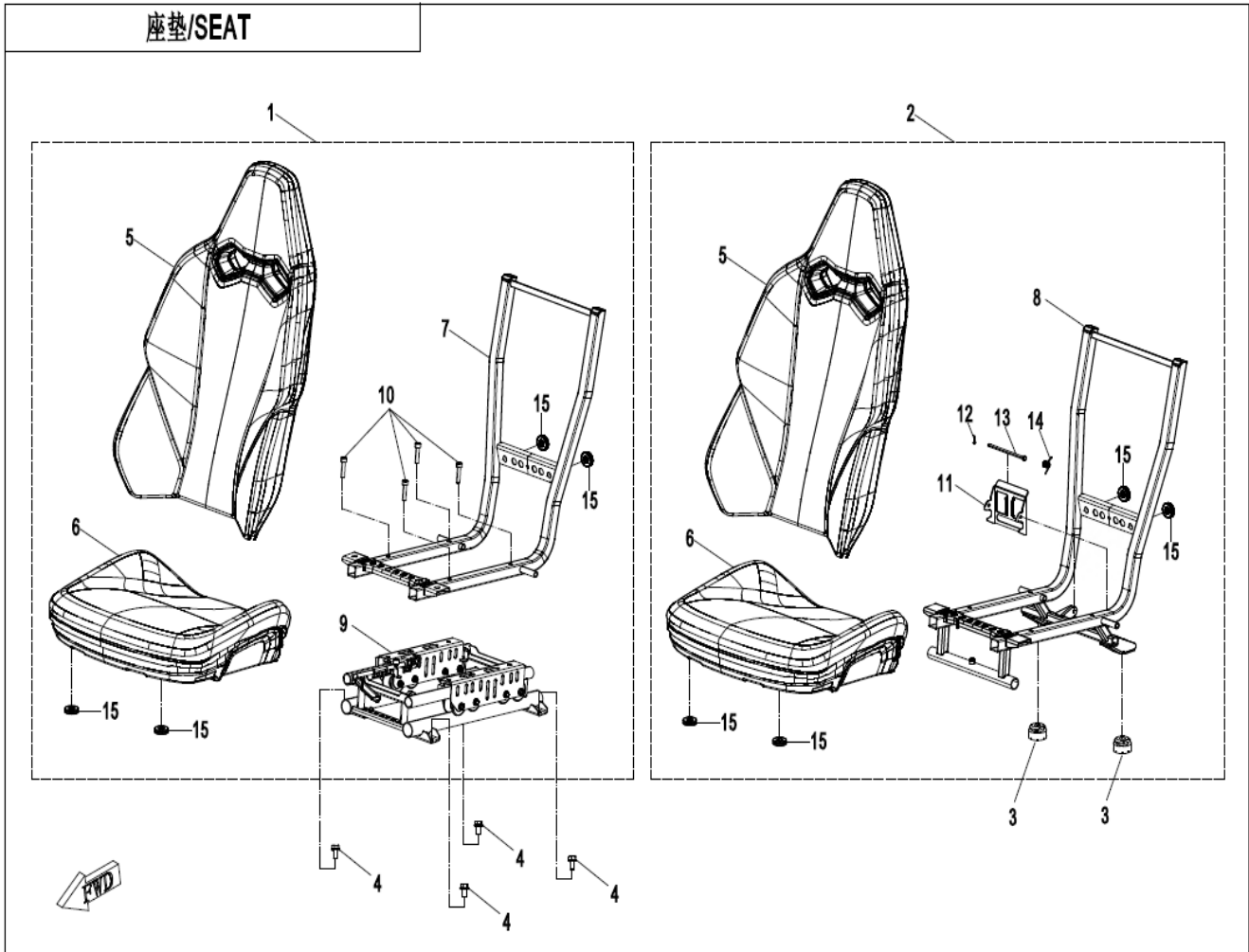
油箱/ FUEL TANK



F12 FUEL TANK

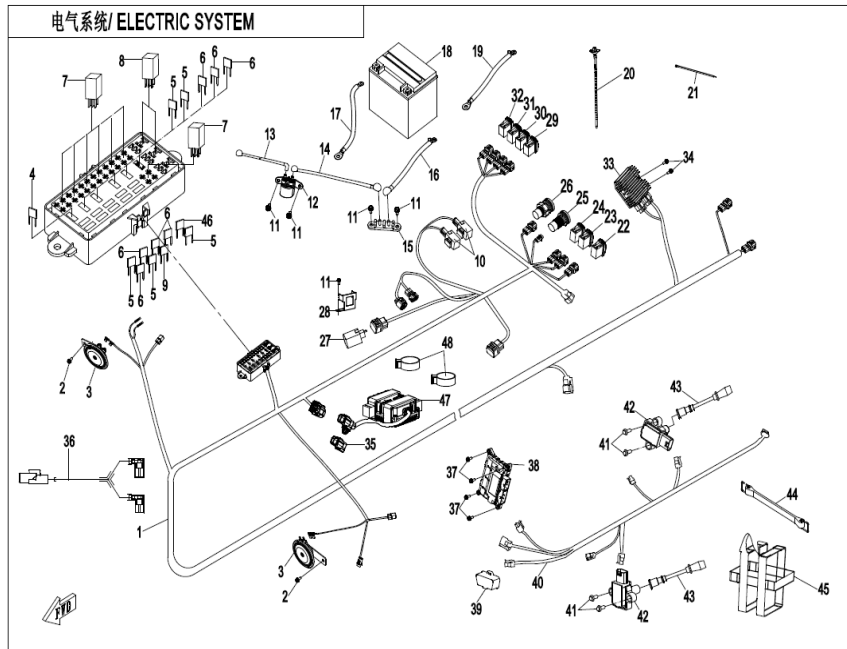
Item No.	Parts Number	Parts Name(EN)	Qty	Specification
01	9060-038128	SPONGE STRIP 2, HEAT INSULATOR	6	
02	9AWA-120001-00001	DAMPER, FUEL TANK	2	
03	5BYV-120001-A100	BREATHER HOSE, FUEL TANK	1	
04	30601-112010	CLAMP A12	1	A12
05	5BY0-120100	FUEL TANK	1	
06	9AW#-120002-2500	RUBBER, FUEL TANK FILLER	1	
07	9DS#-120300-6000	CAP, FUEL TANK	1	
08	7020-120103	DAMPER, FUEL TANK	3	
09	7020-120160	CUSHION LINER, FUEL TANK	3	
10	30006-060030810	BOLT M6x30	3	M6x30
11	5BY0-150900	FUEL PUMP ASSY	1	
12	30006-050014810	BOLT M5x14	6	M5x14
13	6KJ0-120330-10000	QUICK JOINT	1	
14	5BY0-120220	HIGH-PRESURE FUEL HOSE ASSY 2	1	
15	7020-120006	CLAMP Dia 16.6	6	
16	A000-050015	WIRE CLIP, FRONT BRAKE FLUID HOSE	5	
17	6090-120220	FUEL FILTER ASSY, EFI	1	
18	6090-120221	RUBBER SLEEVE, FUEL FILTER, EFI	1	
19	805A-120004	FUEL FILTER, EFI	1	
20	5BY0-120210	HIGH-PRESURE FUEL HOSE ASSY 1	1	
21	9AWA-120010	QUICK T-JOINT	1	
22	6090-120210	QUICK JOINT	1	
23	5BYV-120210-1000	HIGH-PRESURE FUEL HOSE ASSY	1	

座墊/SEAT



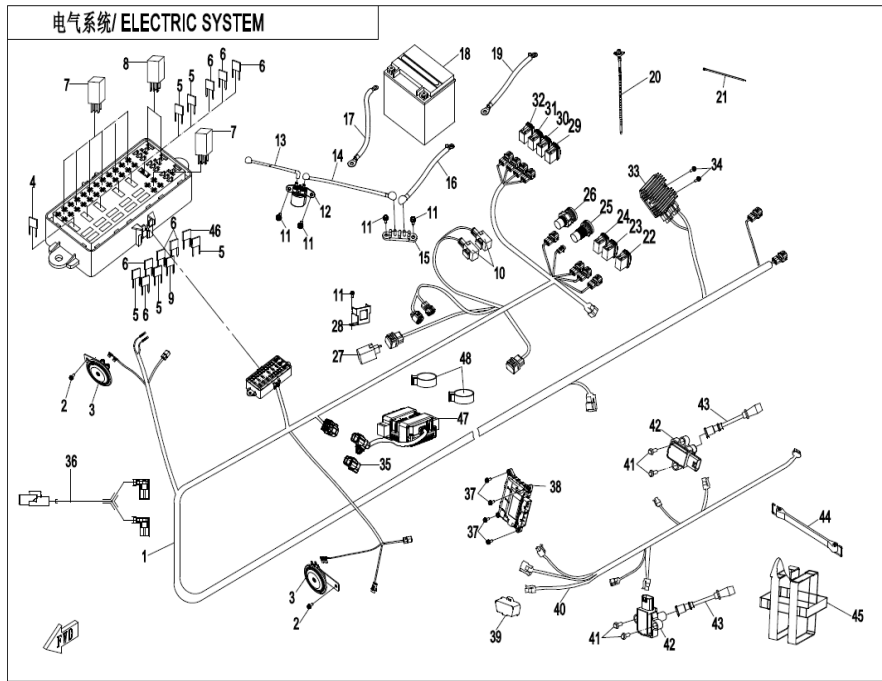
F13-V2 SEAT

Item No.	Parts Number	Parts Name(EN)	Qty	Specification
01	5BYV-131000-A100	LH SEAT ASSY	1	
02	5BYV-132000-A100	RH SEAT ASSY	1	
03	7020-130001	RUBBER SLEEVE, SEAT	2	
04	30006-080016810	BOLT M8x16	4	M8x16
05	5BYV-131100-A100	BACKREST	2	
06	5BYV-131200-A100	SEAT	2	
07	5BYV-131310-A100	LH FRAME ASSY	1	
08	5BYV-132110-A100	RH FRAME ASSY	1	
09	5BYD-131400-A100	ROLLER TRACK	1	
10	30102-080035810	SCREW M8x35	4	M8x35
11	5BYV-131102	SEAT LOCK	1	
12	30903-0161610	COTTER PIN	1	16x16
13	30904-0603810	PIN SHAFT	1	6x38
14	5BYV-131101	RETURN SPRING	1	
15	5HY#-130002-1000	BACKREST DAMPING MAT	8	



F15-1-V1 ELECTRIC SYSTEM

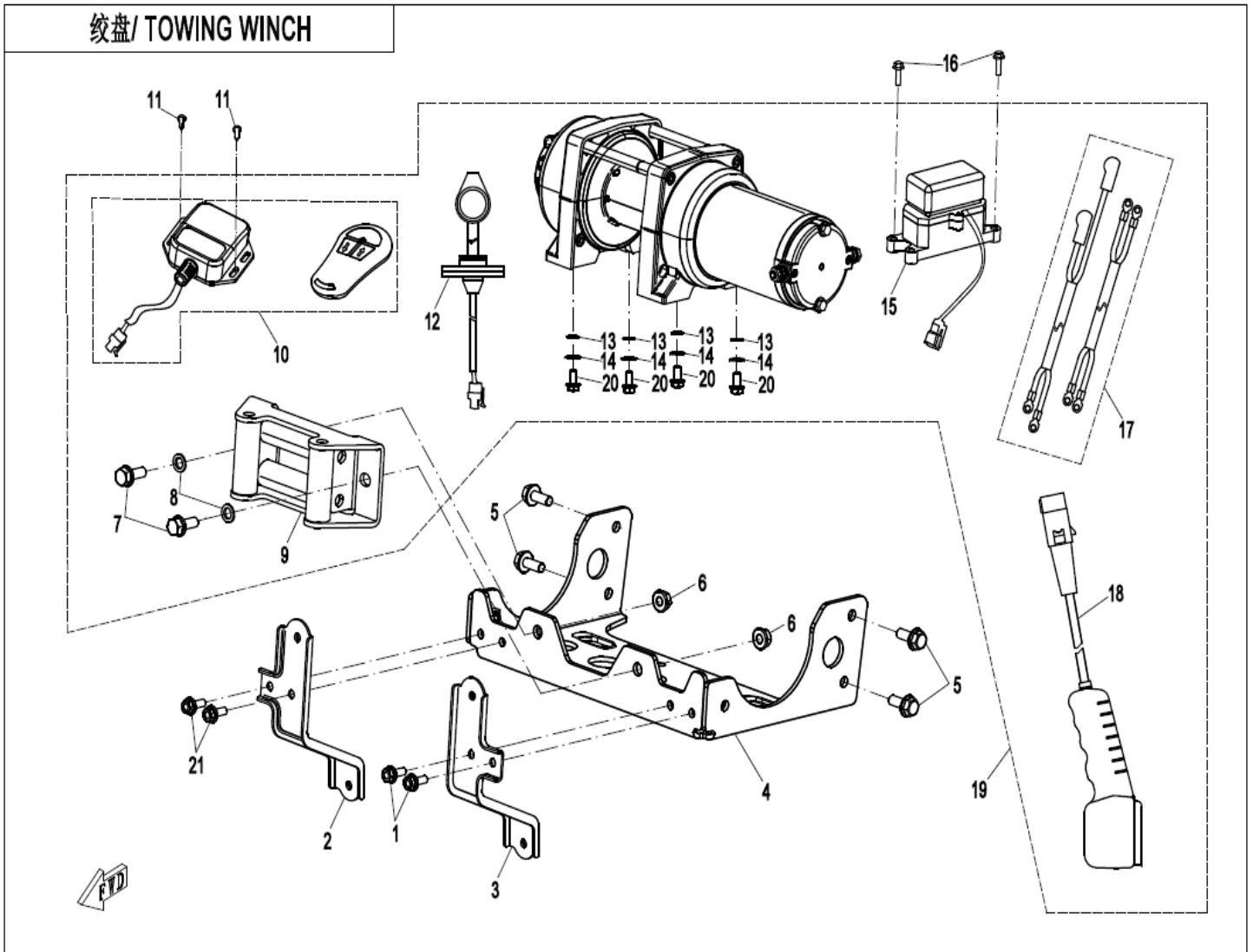
Item No.	Parts Number	Parts Name(EN)	Qty	Specification
01	5BYV-150100-A100	MAIN CABLE	1	
01	5BYV-150100-B000	MAIN CABLE	1	
01	5BYV-150100-A300	MAIN CABLE	1	
02	30006-080014810	BOLT M8x14	2	M8x14
03	6060-150600	ELECTRIC HORN	2	
04	8010-151301	FUSE 5A	1	5A
05	806A-151302	FUSE 10A	5	10A
06	806A-151305	FUSE 15A	7	15A
07	5BY4-150330	AUXILIARY RELAY	7	
08	9010-150350	AUXILIARY RELAY	2	
09	806A-151307	25A FUSE	1	
10	9CR6-103501	FUSE 40A	2	40A
11	30006-060012810	BOLT M6x12	4	M6x12
12	5270-150500	STARTER RELAY	1	
13	5BY0-150220	CABLE, STARTER MOTOR	1	
14	5BY0-150240	CABLE, STARTER RELAY	1	
15	5SY0-151610-6000	TERMINAL, CABLE	1	WITH KAIDI PLUG
16	5BY0-150250	POSITIVE WIRE, BATTERY	1	
17	5BY0-150230	NEGATIVE WIRE, BATTERY	1	
18	31023004	BATTERY	1	DYNAVOLT, 12V30Ah
19	5BY0-150210	NEGATIVE CABLE, STARTER MOTOR	1	
20	7030-150005	TIE BAND	40	
21	8010-150003	TIE BAND	18	5x250
22	5ASV-169050-6001	OVERRIDE SWITCH	1	
23	5ASV-169070-6001	HAZARD SWITCH	1	
24	5BWV-151800-5000	MODE SWITCH	1	
25	9DSV-150600-6R01	USB OUTLET SOCKET ASSY	1	
26	9DSV-150500-6R01	POWER OUTLET SOCKET ASSY	1	
27	5ASV-169010-6001	STOP SWITCH	1	
28	5ASV-169020-6001	ILLUMINATION SWITCH	1	
29	5ASV-169030-6001	DIMMER SWITCH	1	
30	5ASV-169040-6001	HORN SWITCH	1	
31	5BWV-151700-5000	2WD/4WD SWITCH	1	
32	5ASV-169060-6001	TURN SWITCH	1	
33	0800-177000-30000	REGULATOR	1	600W
34	30006-060030810	BOLT M6x30	2	M6x30
35	9DQV-151300-3100	POWER SOCKET, TRAILER	1	
36	30105-050035410	SCREW M5x35	3	M5x35
37	30006-060025810	BOLT M6x25	1	M6x25
38	5BYV-001000-A000	ECU ASSY	1	
38	5BYV-001000-A101	ECU	1	
38	5BYV-001000-A301	ECU		
39	5BY0-150305	CAP, DIAGNOSIS CONNECTOR	1	
40	5BYV-150200-A100	EFI AUXILIARY CABLE	1	
41	30006-060020810	BOLT M6x20	6	M6x20
42	018B-178000		2	
43	0JYV-178000-4000	HIGH-TENSION CABLE	2	
44	7030-040910	TIE BAND, BATTERY	1	
45	9060-152100	BELT, BATTERY	1	
46	CFCV-150010-4500	FUSE 2A	1	
47	5BWV-151900-5000	VEHICLE CONTROL UNIT	1	
48	6KMV-150901-B001	RUBBER RING, T-BOX	2	
49	6GUV-151800-6900-M1	T-BOX	1	
49	6GUV-151800-7100-M1	T-BOX	1	
49	6GUV-151800-7300-M1	T-BOX	1	
49	6GUV-151800-7500-M1	T-BOX	1	
49	6KMV-150900-B001	T-BOX	1	
49	6NQV-150900-3001-M1	T-BOX	1	
49	6NQV-150900-B101-M1	T-BOX	1	
49	6NTV-150900-C201-M1	T-BOX	1	
49	9DQV-151800-4001-M1	T-BOX	1	
49	9DQV-151800-4300-M2	T-BOX	1	
50	CFCV-156103-2000	PLUG, T-BOX CONNECTOR	1	
51	5HYV-150191-2900	ADAPTOR CABLE, HORN	2	



F15-1-V2 ELECTRIC SYSTEM

Item No.	Parts Number	Parts Name(EN)	Qty	Specification
01	5BYV-150100-A103	MAIN CABLE	1	
01	5BYV-150100-A303	MAIN CABLE	1	
02	30006-080014810	BOLT M8x14	2	M8x14
03	6060-150600	ELECTRIC HORN	2	
04	8010-151301	FUSE 5A	1	5A
05	806A-151302	FUSE 10A	5	10A
06	806A-151305	FUSE 15A	7	15A
07	5BY4-150330	AUXILIARY RELAY	7	
08	9010-150350	AUXILIARY RELAY	2	
09	806A-151307	25A FUSE	1	
10	9CR6-103501	FUSE 40A	2	40A
11	30006-060012810	BOLT M6x12	5	M6x12
12	5270-150500	STARTER RELAY	1	
13	5BYO-150220	CABLE, STARTER MOTOR	1	
14	5BYO-150240	CABLE, STARTER RELAY	1	
15	5SYO-151610-6000	TERMINAL, CABLE	1	WITH KAIDI PLUG
16	5BYO-150250	POSITIVE WIRE, BATTERY	1	
17	5BYO-150230	NEGATIVE WIRE, BATTERY	1	
18	31023004	BATTERY	1	DYNAVOLT, 12V30Ah
19	5BYO-150210	NEGATIVE CABLE, STARTER MOTOR	1	
20	7030-150005	TIE BAND	40	
21	8010-150003	TIE BAND	18	5x250
22	5ASV-169050-6001	OVERRIDE SWITCH	1	
23	5ASV-169070-6001	HAZARD SWITCH	1	
24	5BWV-151800-5000	MODE SWITCH	1	
25	9DSV-150600-6R01	USB OUTLET SOCKET ASSY	1	
26	9DSV-150500-6R01	POWER OUTLET SOCKET ASSY	1	
27	5BYO-150340	FLASHER	1	
28	5BYO-030904	BRACKET, FLASHER	1	
29	5ASV-169030-6001	DIMMER SWITCH	1	
30	5ASV-169040-6001	HORN SWITCH	1	
31	5BWV-151700-5000	2WD/4WD SWITCH	1	
32	5ASV-169060-6001	TURN SWITCH	1	
33	0800-177000-30000	REGULATOR	1	600W
34	30006-060030810	BOLT M6x30	2	M6x30
35	CFCV-156103-2000	POWER SOCKET, TRAILER	1	
36	5HYV-150191-2900	SCREW M5x35	1	M5x35
37	30006-060025810	BOLT M6x25	1	M6x25
38	5BYV-001000-A000	ECU ASSY	1	
38	5BYV-001000-A101	ECU	1	
38	5BYV-001000-A301	ECU	1	
39	5BYO-150305	CAP, DIAGNOSIS CONNECTOR	1	
40	5BYV-150200-A102	EFI AUXILIARY CABLE	1	
41	30006-060020810	BOLT M6x20	4	M6x20
42	018B-178000		2	
43	0JYV-178000-4000	HIGH-TENSION CABLE	2	
44	7030-040910	TIE BAND, BATTERY	1	
45	9060-152100	BELT, BATTERY	1	
46	CFCV-150010-4500	FUSE 2A	1	
47	6GUV-151800-6900-M1	T-BOX	1	
47	6GUV-151800-7100-M1	T-BOX	1	
47	6GUV-151800-7300-M1	T-BOX	1	
47	6GUV-151800-7500-M1	T-BOX	1	
47	6KMV-150900-B001	T-BOX	1	
47	6NQV-150900-3001-M1	T-BOX	1	
47	6NQV-150900-B101-M1	T-BOX	1	
47	6NTV-150900-C201-M1	T-BOX	1	
47	9DQV-151800-4001-M1	T-BOX	1	
47	9DQV-151800-4300-M2	T-BOX	1	
48	6KMV-150901-B001	RUBBER RING, T-BOX	2	

绞盘/ TOWING WINCH



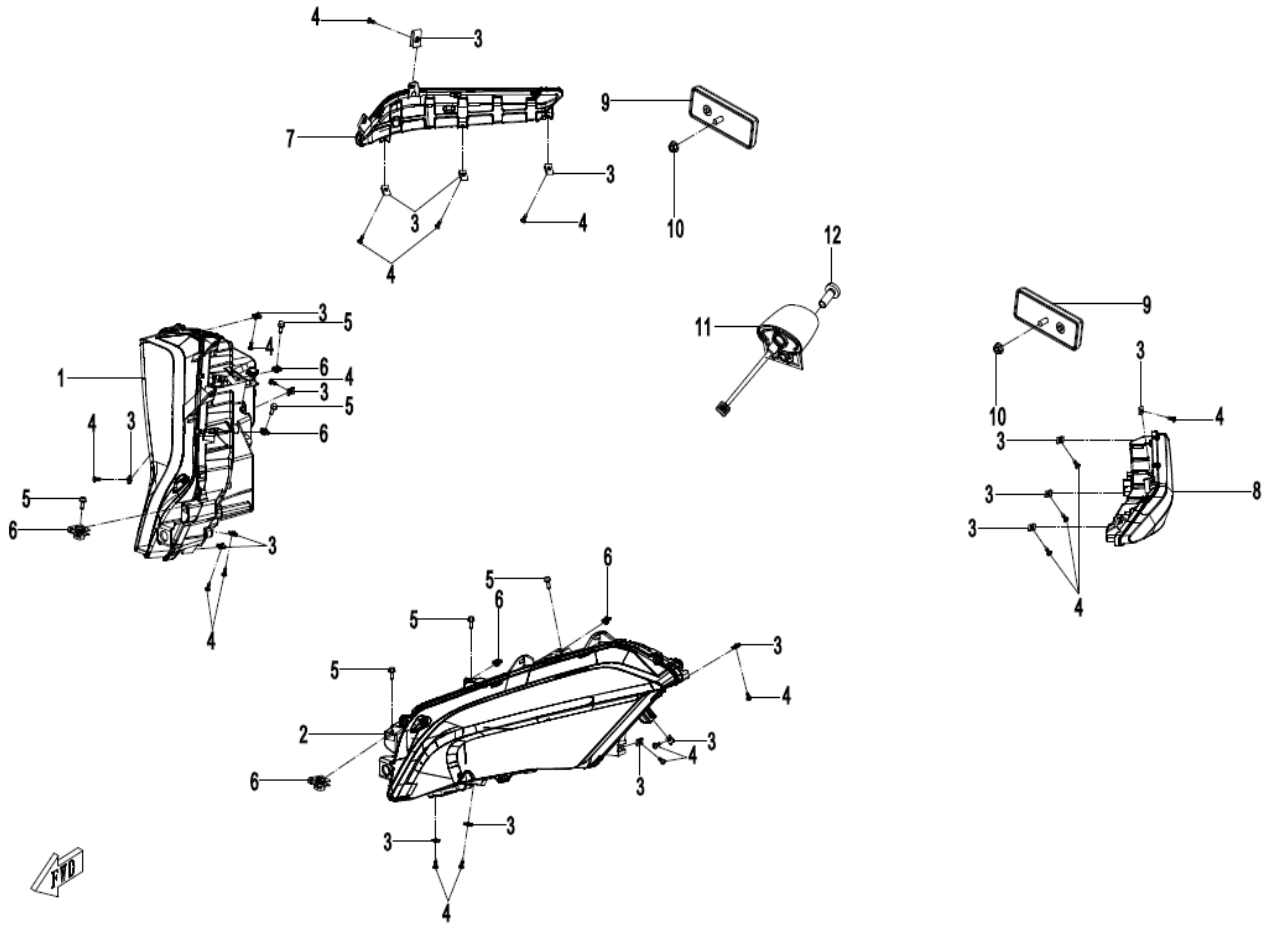
F15-2 TOWING WINCH

Item No.	Parts Number	Parts Name(EN)	Qty	Specification
01	30006-060012810	BOLT M6x12	2	M6x12
02	5BY0-030640	RH MOUNTING BRACKET, WINCH DECO PLATE	1	
03	5BY0-030630	LH MOUNTING BRACKET, WINCH DECO PLATE	1	
04	5BYV-030010-A100	BRACKET, WINCH	1	
05	30006-080020810	BOLT M8x20	4	M8x20
06	30204-102810	NUT M10x1.25	2	M10x1.25
07	30006-102025810	BOLT M10x1.25x25	2	M10x1.25x25
08	30303-100112	WASHER	2	
09	9030-150730	CABLE PULLEY	1	
10	5HYV-1507A0	REMOTE CONTROLLER, WINCH	1	
11	30110-420095010	SELF-TAPPING SCREW ST4.2x9.5	2	ST4.2x9.5
12	5HYV-150730-1C01	CONTROL SWITCH SEAT, WINCH	1	
13	30304-080420	WASHER	4	
14	30303-080112	WASHER	4	8
15	5HYV-150720-1C00	WINCH CONTROL RELAY	1	
16	30006-060022810	BOLT	2	@
17	5BY0-150760	WINCH CABLE	1	
18	7030-150770	CONTROL LEVER, WINCH	1	
19	5BYV-150700-A100	WINCH ASSY	1	
20	30006-080025810	BOLT	4	M8x25
21	30006-060016810	BOLT M6x16	2	M6x16

F15-3 FUEL INJECTION SYSTEM

Item No.	Parts Number	Parts Name(EN)	Qty	Specification
01	0010-023010-0010	BOLT M6x20	2	M6x20
02	OJY#-170005-1500	BRACKET, RH FUEL INJECTOR HOSE	1	
03	OJYA-170010-10000	INJECTOR CAP 1	1	
04	OJYA-170001	CLASP	2	
05	OGS0-171000-10000	FUEL INJECTOR	2	
06	0010-013010-0010	BOLT M6x50	4	M6x50
07	OJYA-173000	THROTTLE BODY ASSY	1	
08	OJYV-170010-4000	BRACKET, FUEL INJECTOR HOSE	1	
09	OJYA-170020-10000	INJECTOR CAP 2	1	
10	OJY0-175000	T-MAP	1	
11	0010-023010-0010	BOLT M6x20	1	M6x20

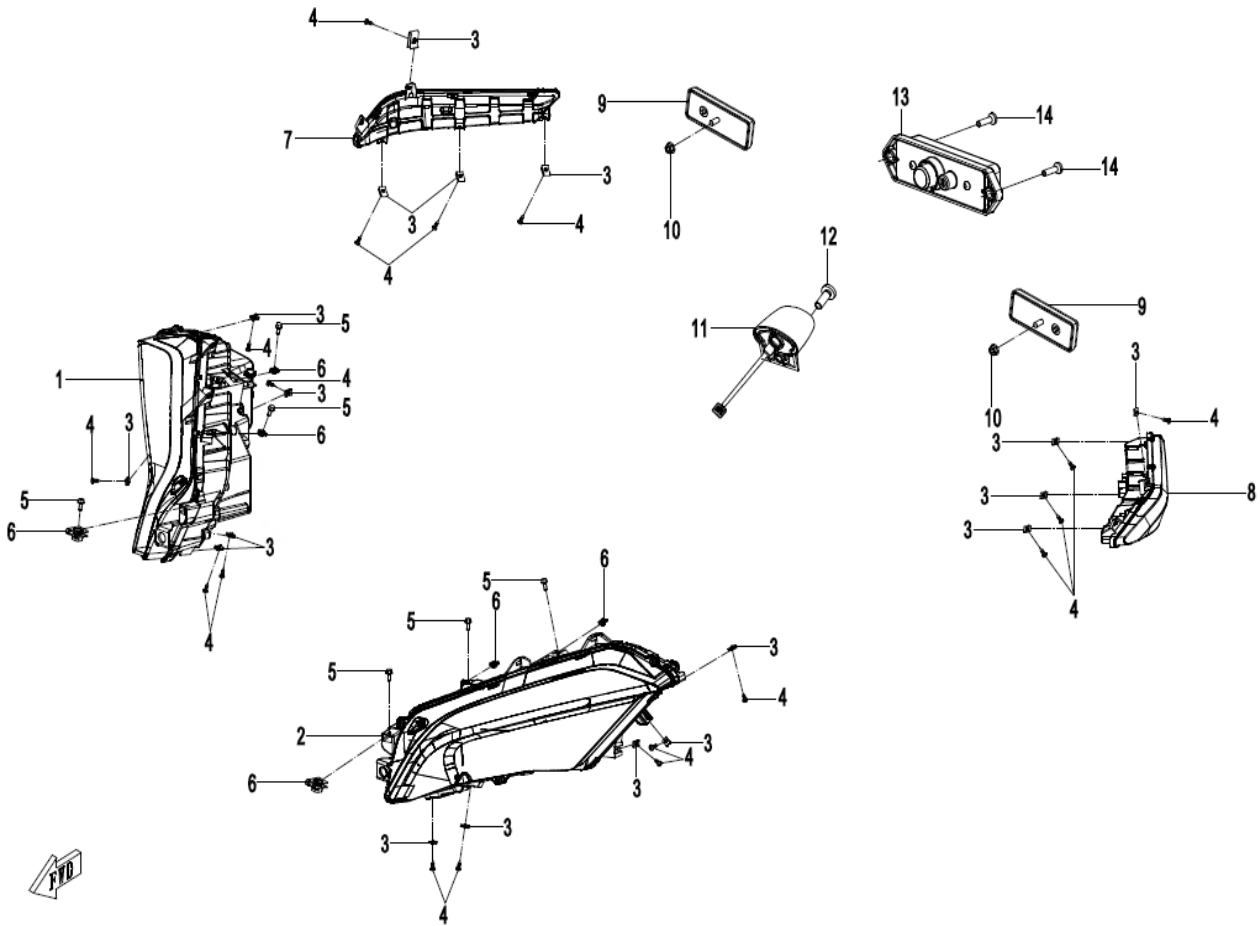
灯具/LIGHTS



F16-A LIGHT (NA)

Item No.	Parts Number	Parts Name(EN)	Qty	Specification
01	5BYV-160112-A100	RH HEADLIGHT	1	
02	5BYV-160111-A100	LH HEADLIGHT	1	
03	8010-000002	CLAMP ST4.2	18	ST4.2
04	30110-420130010	SELF-TAPPING SCREW ST4.2x13	18	ST4.2x13
05	30006-060016810	BOLT M6x16	6	M6x16
06	8030-040800-00001	NUT CLIP M6	6	M6
07	5BYV-160220-A100	RH TAIL LIGHT	1	
08	5BYV-160210-A100	LH TAIL LIGHT	1	
09	5BY0-160450	REFLECTOR	2	
10	30202-050110	NUT M5	2	M5
11	9CR6-161400-10000	T3 LICENSE LIGHT	1	
12	30105-050012410	SCREW M5x12	1	M5x12

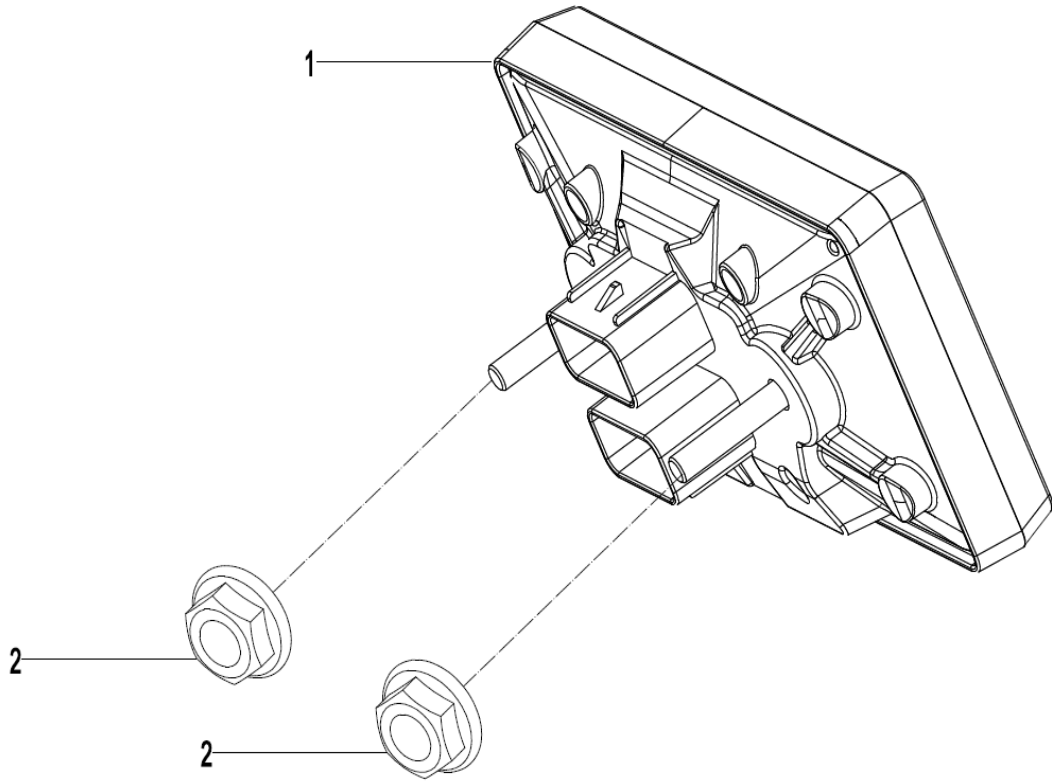
灯具/ LIGHTS



F16-B LIGHT (INTERNATIONAL)

Item No.	Parts Number	Parts Name(EN)	Qty	Specification
01	5BYV-160112-B000	RH HEADLIGHT	1	
02	5BYV-160111-B000	LH HEADLIGHT	1	
03	8010-000002	CLAMP ST4.2	18	ST4.2
04	30110-420130010	SELF-TAPPING SCREW ST4.2x13	18	ST4.2x13
05	30006-060016810	BOLT M6x16	6	M6x16
06	8030-040800-00001	NUT CLIP M6	6	M6
07	5BYV-160220-B000	RH TAIL LIGHT	1	
08	5BYV-160210-B000	LH TAIL LIGHT	1	
09	5BY0-160450	REFLECTOR	2	
10	30202-050110	NUT M5	2	M5
11	9CR6-161400-10000	T3 LICENSE LIGHT	1	
12	30105-050012410	SCREW M5x12	1	M5x12
13	5HYV-160700-2B01	REVERSE LIGHT	1	
14	30006-050020810	BOLT M5x20	2	M5x20

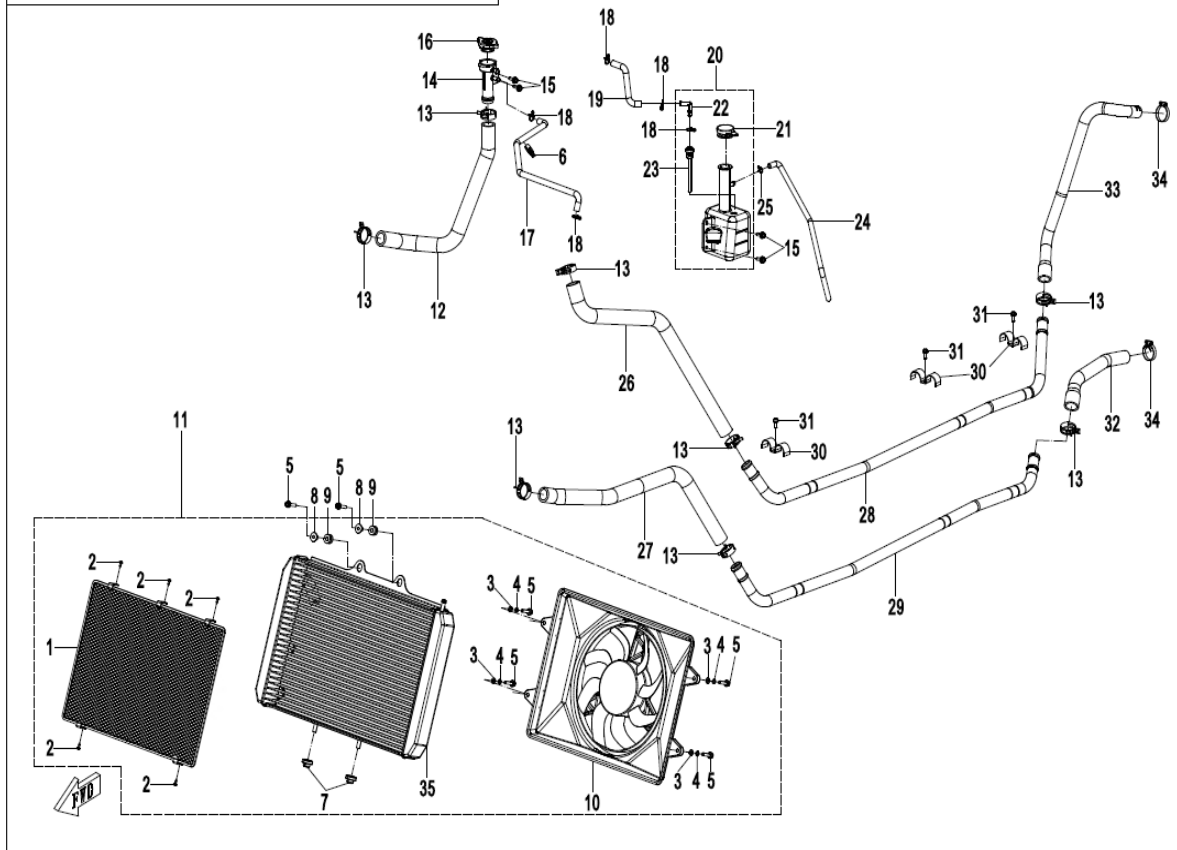
仪表/ DASHBOARD



F17 DASHBOARD

Item No.	Parts Number	Parts Name(EN)	Qty	Specification
01	5BYV-171000-A100	DASHBOARD ASSY	1	
02	30202-060110	NUT M6	2	M6

冷却系统/ COOLING SYSTEM



F18 COOLING SYSTEM

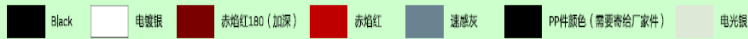
Item No.	Parts Number	Parts Name(EN)	Qty	Specification
01	5HY0-181010	PROTECTOR, RADIATOR	1	
02	30110-350095010	SELF-TAPPING SCREW ST3.5x9.5	5	ST3.5x9.5
03	30306-060112	WASHER	4	6
04	30303-060920	WASHER	4	6
05	30006-060025810	BOLT M6x25	6	M6x25
06	A000-050015	WIRE CLIP, FRONT BRAKE FLUID HOSE	1	
07	9060-180026	PIN RUBBER CAP, RADIATOR	2	
08	9060-180029	RUBBER CUSHION TUBE, RADIATOR	2	
09	9060-180027	RUBBER CUSHION, RADIATOR	2	
10	5HY0-181400-10000	FAN MOTOR ASSY	1	
11	5BYV-181000-A100	RADIATOR ASSY	1	
12	5BY0-180006	CONNECTING HOSE, FILLER	1	
13	7000-180007-00001	STEEL BAND CLAMP 34	8	
14	9060-180025-1000	WATER FILLING PORT	1	
15	30006-060016810	BOLT M6x16	4	M6x16
16	8010-180024	CAP, WATER FILLER	1	
17	5BY0-180007	OVERFLOW HOSE, RADIATOR	1	
18	30601-113010	CLAMP A13	5	A13
19	5BY0-180008	CONNECTING HOSE, RESERVOIR TANK	1	
20	7030-180900	RESERVOIR TANK ASSY	1	
21	8010-180023	CAP, RESERVOIR TANK	1	
22	8030-180302	JOINT	1	
23	8010-180028	HOSE, RESERVOIR TANK	1	
24	5BY0-180009	WATER PIPE, RESERVOIR TANK	1	
25	30601-111010	CLAMP A11	1	A11
26	5BY0-180001	WATER INLET PIPE, RADIATOR	1	
27	5BY0-180002	WATER OUTLET PIPE, RADIATOR	1	
28	5BYV-180011-A100	WATER INLET ALUMINUM PIPE	1	
28	5BYV-180011-A101	WATER INLET PIPE, ALUMINUM	1	
29	5BYV-180012-A100	WATER OUTLET ALUMINUM PIPE	1	
30	9030-180006	CLASP, WATER HOSE	3	
31	30112-060016410	SCREW ASSY M6x16	3	M6x16
32	5BYV-180004-A100	WATER INLET PIPE, ENGINE	1	
33	5BYV-180005-A100	WATER OUTLET PIPE, ENGINE	1	
33	5BYV-180005-A101	WATER OUTLET PIPE,ENGINE	1	
34	9010-180007	CLAMP, WATER HOSE	2	
35	5BY0-180100	RADIATOR ASSY	1	

美规

MY22 ZFORCE 950 H.O. EX贴花量产完稿 (加大功率)

星光白配色

刀模线(冲模用)



F19-1-A DECAL,NA(NEBULA WHITE)

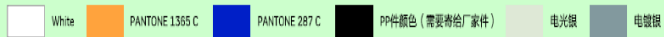
Item No.	Parts Number	Parts Name(EN)	Qty	Specification
1	5BYD-1902A0	DECAL ASSY	1	
2	5BYV-190201-A000-13	DECAL, LH SIDE DOOR	1	
3	5BYV-190202-A000-13	DECAL, RH SIDE DOOR	1	
4	5BYV-190203-A000-13	COMMERCIAL NAME DECAL	2	
5	5BYV-190204-A000-13	IH DECAL, FRONT TOP COVER	1	
6	5BYV-190205-A000-13	RH DECAL, FRONT TOP COVER	1	
7	5BYV-190207-2200-20	EPS DECAL	2	
8	5BYV-190208-2200-20	DECAL, SKID PLATE	2	
9	5BYV-190209-2200-20	CFMOTO STICKER	1	
10	7020-191311	CVT LABEL	2	

美规

MY22 ZFORCE 950 H.O. EX贴花量产完稿 (加大功率)

火焰橙配色

刀模线(半模线)



F19-1-B DECAL,NA(LAVA ORANGE)

Item No.	Parts Number	Parts Name(EN)	Qty	Specification
1	5BYD-1902A0-10000	DECAL ASSY	1	
2	5BYV-190201-A000-14	DECAL, LH SIDE DOOR	1	
3	5BYV-190202-A000-14	DECAL, RH SIDE DOOR	1	
4	5BYV-190203-A000-14	COMMERCIAL NAME DECAL	2	
5	5BYV-190204-A000-14	IH DECAL, FRONT TOP COVER	1	
6	5BYV-190205-A000-14	RH DECAL, FRONT TOP COVER	1	
7	5BYV-190207-A000-14	EPS DECAL	2	
8	5BYV-190208-2200-20	DECAL, SKID PLATE	2	
9	5BYV-190209-A000-14	CFMOTO STICKER	1	
10	7020-191311	CVT LABEL	2	

MY22 ZFORCE 950 H.O. EX贴花量产完稿

星光黑配色

刀模线(半模线)



F19-1-C DECAL,NA(NEBULA BLACK)

Item No.	Parts Number	Parts Name(EN)	Qty	Specification
1	5BYD-1902A0-20000	DECAL ASSY	1	
2	5BYV-190201-A000-15	DECAL, LH SIDE DOOR	1	
3	5BYV-190202-A000-15	DECAL, RH SIDE DOOR	1	
4	5BYV-190203-A000-15	COMMERCIAL NAME DECAL	2	
5	5BYV-190204-A000-13	IH DECAL, FRONT TOP COVER	1	
6	5BYV-190205-A000-13	RH DECAL, FRONT TOP COVER	1	
7	5BYV-190207-A000-15	EPS DECAL	2	
8	5BYV-190208-2200-20	DECAL, SKID PLATE	2	
9	5BYV-190209-A000-15	CFMOTO STICKER	1	
10	7020-191311	CVT LABEL	2	

无法规

MY22 ZFORCE 1000 SPORT R贴花量产完稿 (加大功率)

星光白配色

刀模线(虚线)

Black 电镀银 赤焰红180(加深) 赤焰红 速感灰 PP件颜色(需要寄给厂家件) 电光银



F19-1-D DECAL,INTERNATIONAL(NEBULA WHITE)

Item No.	Parts Number	Parts Name(EN)	Qty	Specification
1	5BYD-1902B0	DECAL ASSY	1	
2	5BYV-190201-A000-13	DECAL, LH SIDE DOOR	1	
3	5BYV-190202-A000-13	DECAL, RH SIDE DOOR	1	
4	5BYV-190203-A000-13	COMMERCIAL NAME DECAL	2	
5	5BYV-190204-A000-13	IH DECAL, FRONT TOP COVER	1	
6	5BYV-190205-A000-13	RH DECAL, FRONT TOP COVER	1	
7	5BYV-190207-2200-20	EPS DECAL	2	
8	5BYV-190208-2200-20	DECAL, SKID PLATE	2	
9	5BYV-190209-2200-20	CFMOTO STICKER	1	
10	7020-191311	CVT LABEL	2	
11	5BYV-190111-A300-20	MODEL DECAL	1	

MY22 ZFORCE 1000 SPORT R贴花量产完稿 (加大功率)

火焰橙配色

刀模线(半虚线)

White PANTONE 1365 C PANTONE 287 C PP件颜色 (需要寄给厂家件) 电光银 电镀银



F19-1-E DECAL,INTERNATIONAL(LAVA ORANGE)

Item No.	Parts Number	Parts Name(EN)	Qty	Specification
1	5BYD-1902B0-10000	DECAL ASSY	1	
2	5BYV-190201-A000-14	DECAL, LH SIDE DOOR	1	
3	5BYV-190202-A000-14	DECAL, RH SIDE DOOR	1	
4	5BYV-190203-A000-14	COMMERCIAL NAME DECAL	2	
5	5BYV-190204-A000-14	IH DECAL, FRONT TOP COVER	1	
6	5BYV-190205-A000-14	RH DECAL, FRONT TOP COVER	1	
7	5BYV-190207-A000-14	EPS DECAL	2	
8	5BYV-190208-2200-20	DECAL, SKID PLATE	2	
9	5BYV-190209-A000-14	CFMOTO STICKER	1	
10	7020-191311	CVT LABEL	2	
11	5BYV-190111-A300-20	MODEL DECAL	1	

MY22 ZFORCE 1000 SPORT R贴花量产完稿 (加大功率)

星光黑配色

刀模线(中模线)



F19-1-F DECAL,INTERNATIONAL(NEBULA BLACK)

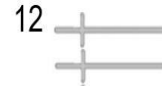
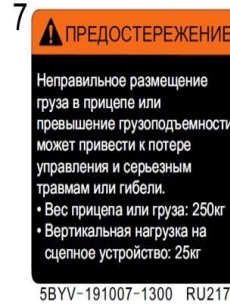
Item No.	Parts Number	Parts Name(EN)	Qty	Specification
1	5BYD-1902B0-20000	DECAL ASSY	1	
2	5BYV-190201-A000-15	DECAL, LH SIDE DOOR	1	
3	5BYV-190202-A000-15	DECAL, RH SIDE DOOR	1	
4	5BYV-190203-A000-15	COMMERCIAL NAME DECAL	2	
5	5BYV-190204-A000-13	IH DECAL, FRONT TOP COVER	1	
6	5BYV-190205-A000-13	RH DECAL, FRONT TOP COVER	1	
7	5BYV-190207-A000-15	EPS DECAL	2	
8	5BYV-190208-2200-20	DECAL, SKID PLATE	2	
9	5BYV-190209-A000-15	CFMOTO STICKER	1	
10	7020-191311	CVT LABEL	2	
11	5BYV-190111-A300-20	MODEL DECAL	1	



F19-2-A WARNING LABEL

Item No.	Parts Number	Parts Name(EN)	Qty	Specification
1	5BYV-190001-A000	WARNING LABEL, DRIVING	1	
2	5BYV-190002-A000	WARNING LABEL, SAFETY	1	
3	5BYV-190004-A000	VEHICLE LEAN TEST TAG	1	
4	5BYO-190005	INSTRUCTION LABEL, CARGO BOX LOAD	1	US
5	5BYO-190008	INSTRUCTION LABEL, TOWING LOAD	1	US
6	5BYO-190009	WARNING LABEL, AIR FILTER AIR INTAKE PORT	1	
6	5BYO-190009-10000	WARNING LABEL, AIR FILTER AIR INLET PORT	1	
7	5BYO-190011	WARNING DECAL, CVT AIR INTAKE PORT	1	
7	5BYO-190011-10000	WARNING LABEL, CVT AIR INLET PORT	1	
8	5BYO-190012	INSTRUCTION LABEL, GEAR OPERATION	1	
9	5BYV-190013-A000	WARNING PLATE, ANTI-ROLLING BAR	1	
10	5ASV-190021-6000	LH WARNING LABEL, ANTI-ROLLING BAR	1	
11	5ASV-190022-6000	RH WARNING LABEL, ANTI-ROLLING BAR	1	
12	9060-191305-10000	WARNING DECAL, DASHBOARD	1	
13	9AW#-190007-2410	LABEL, ENGINE OI	1	
14	9AWA-190008	LABEL, GEARCASE OIL	1	
15	5HYO-190009-10000	DECAL, HOMOLOGATION	1	
16	905B-190412	LABEL, EXHAUST GAS RECYCLING DRAWING	1	
17	905B-190413	WARNING DECAL, ENGINE OIL	1	
18	5HYO-190021	LABEL, WINCH CONTROL LEVER	1	
19	30902-0400820	BLIND RIVET	2	4x8
20	703A-191302	SAFETY WARNING LABEL	1	
21	5BYB-190002	INSTRUCTION LABEL, TOWING LOAD	1	

激活 Windows
转到“设置”以激活 Windows。



F19-2-B WARNING LABEL(RUSSIA)

Item No.	Parts Number	Parts Name(EN)	Qty	Specification
1	5BYV-191001-1300	WARNING LABEL, DRIVING	1	
2	5BYV-191002-1300	WARNING LABEL, SAFETY	1	
3	5BYV-191003-1300	LH INSTRUCTION LABEL, SAFETY WARNING	1	
4	5BYV-191004-1300	RH INSTRUCTION LABEL, SAFETY WARNING	1	
5	5BY0-191005	INSTRUCTION LABEL, CARGO BOX LOAD	1	
6	5BY0-191006	WARNING DECAL,ENGINE OIL	1	
7	5BYV-191007-1300	INSTRUCTION LABEL, TOWING LOAD	1	
8	5BY0-191011	LABEL, WINCH CONTROL LEVER	1	
9	5BY0-191012	INSTRUCTION LABEL, GEAR OPERATION	1	
10	5BYB-190003	WARNING PLATE, ANTI-ROLLING BAR	1	
11	9AWA-190008	LABEL, GEARCASE OIL	1	
12	30902-0400820	BLIND RIVET	2	4x8



F19-3 REFLECTOR

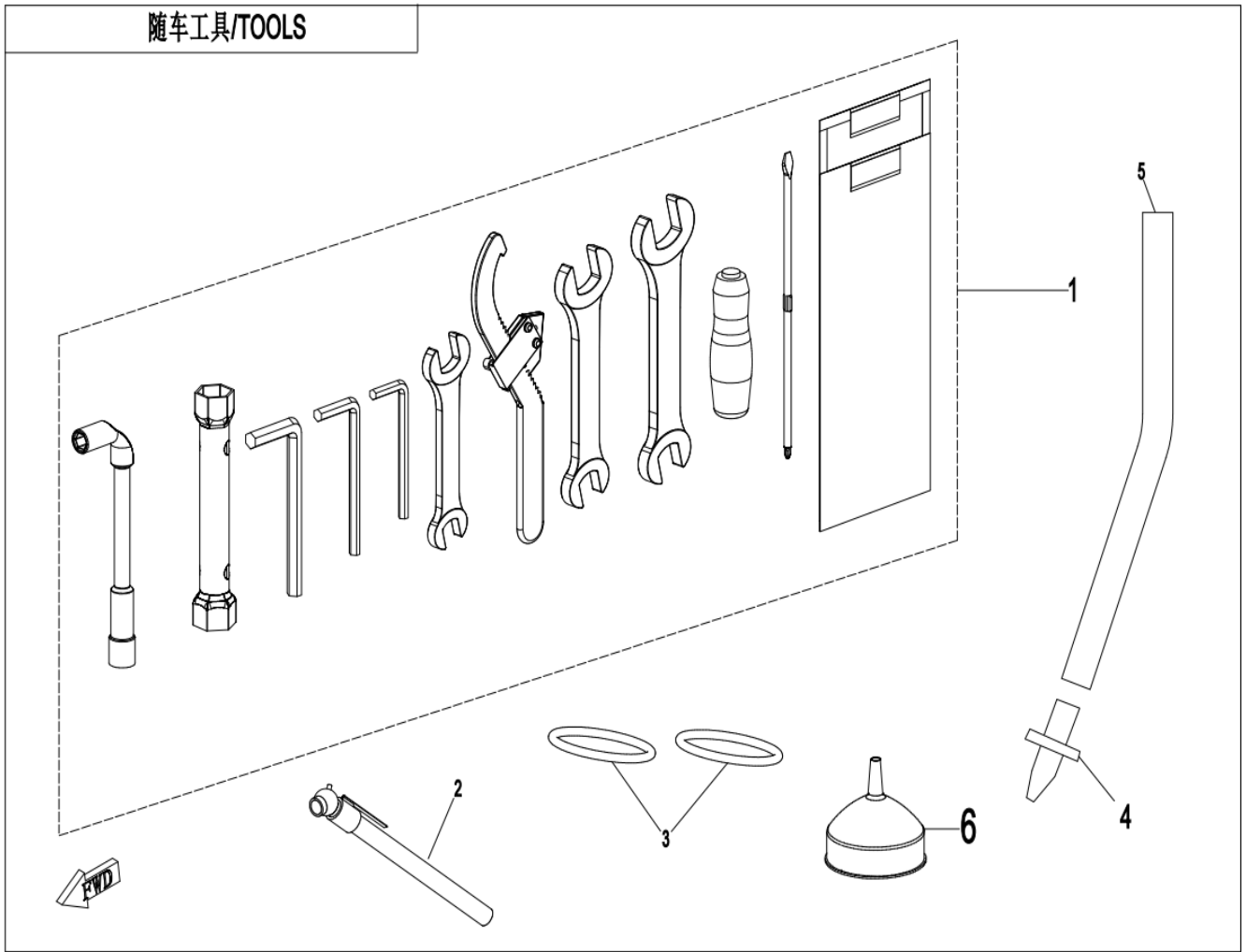
Item No.	Parts Number	Parts Name(EN)	Qty	Specification
01	5BY0-190016	RH FRONT REFLECTOR	1	
02	5BY0-190019	LH FRONT REFLECTOR	1	
03	5BY0-190018-10000	RH REAR REFLECTOR	1	
04	5BY0-190017-10000	LH REAR REFLECTOR	1	



F19-4 VEHICLE PLATE

Item No.	Parts Number	Parts Name(EN)	Qty	Specification
01	5BY#-190011-1000	VEHICLE PLATE	1	
02	9GQ0-190003	VEHICLE PLATE_2020	1	
03	7020-190509		1	
04	703A-190011	VIN PLATE	1	AUSTRALIA

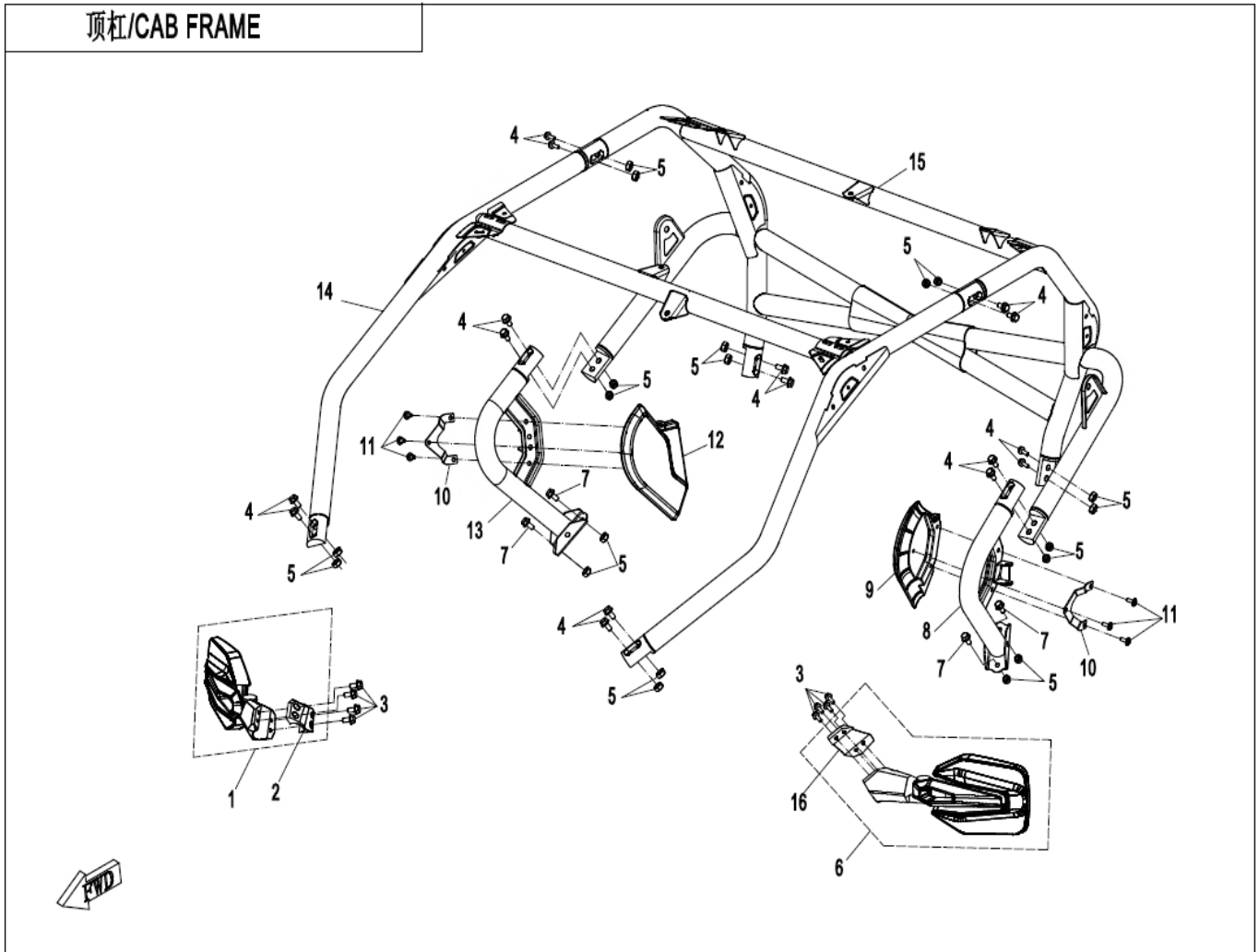
随车工具/TOOLS



F20 TOOLS

Item No.	Parts Number	Parts Name(EN)	Qty	Specification
01	9AWV-200100-2E00	TOOL KIT	1	
02	TFQ002	TIRE PRESSURE PEN	1	
03	6100-200001	TIE BAND, TOOLS KIT	2	
04	703A-200103	FUNNEL EXTENSION HOSE	1	
05	703V-200102-1400	FUNNEL EXTENSION HOSE	1	
06	7030-200101	FILLER, ENGINE OIL	1	

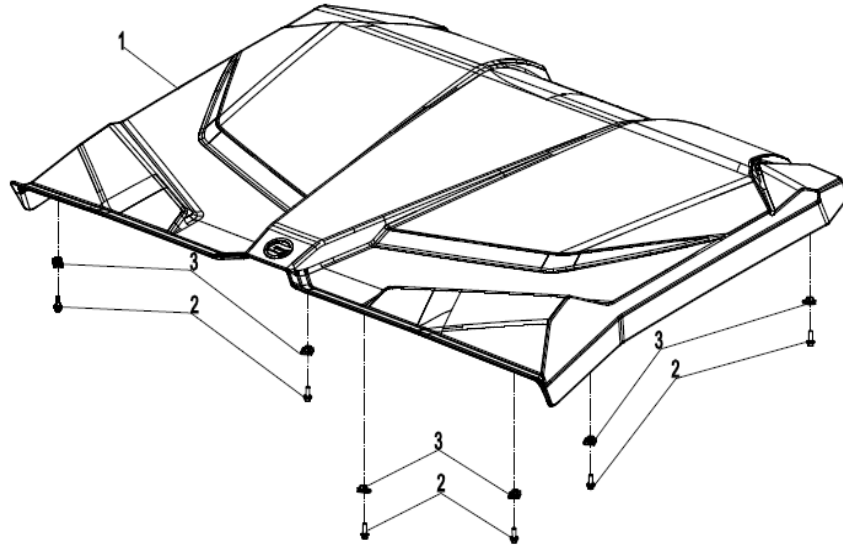
顶杠/CAB FRAME



F23 CAB FRAME (FOR 3-POINT SEAT BELT)

Item No.	Parts Number	Parts Name(EN)	Qty	Specification
01	5BY0-260120	RH REAR VIEW MIRROR ASSY.	1	
02	5BY0-260124		1	
03	30102-060016810	SCREW	8	
04	9010-300001	BOLT M10x1.25x30	16	M10x1.25x30
05	30203-102110	NUT M10x1.25	20	M10x1.25
06	5BY0-260110	LH REAR VIEW MIRROR ASSY.	1	
07	30006-080016810	BOLT M8x16	4	M8x16
08	5BY0-230200-0B000	LH PROTECTING PIPE, PASSENGER	1	MATTE BLACK
09	5BYV-230020-A100	CUSHION MAT, LH PROTECTION PIPE	1	
10	5BY0-230001	BRACKET, BUMPER CUSHION MAT	2	
11	6NQ#-000206-6001	INNER HEX SCREW M6x16	6	M6x16
12	5BYV-230030-A100	CUSHION MAT, RH PROTECTION PIPE	1	
13	5BY0-230300-0B000	RH PROTECTING PIPE, PASSENGER	1	MATTE BLACK
14	5BYV-230400-1B000	FRONT FRAME, CAB	1	MATTE BLACK
15	5BY0-230500-0B000	REAR FRAME, CAB	1	
16	5BY0-260114	MOUNT SEAT II	1	

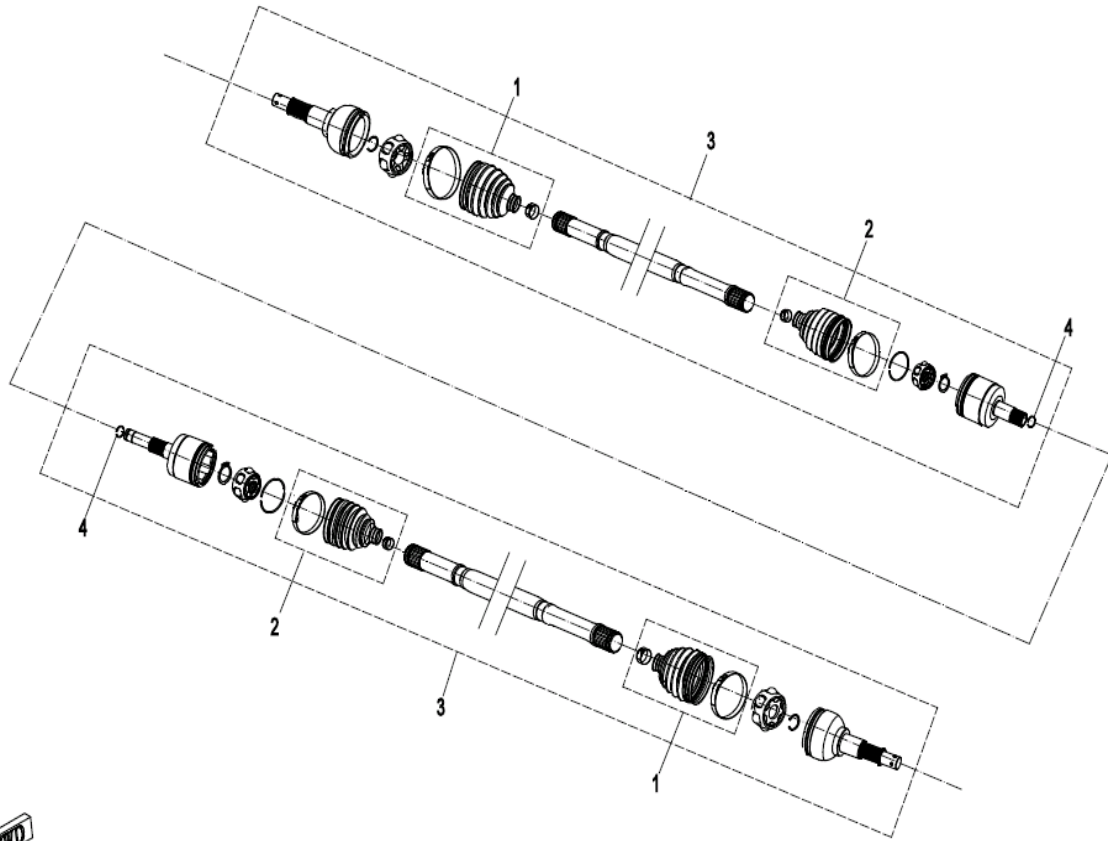
车体附件/BODY ACCESSORIES



F26 BODY ACCESSORIES

Item No.	Parts Number	Parts Name(EN)	Qty	Specification
01	5BYV-801301-A100	CAB	1	
02	30006-060016810	BOLT M6x16	6	M6x16
03	8030-040800-00001	NUT CLIP M6	6	M6

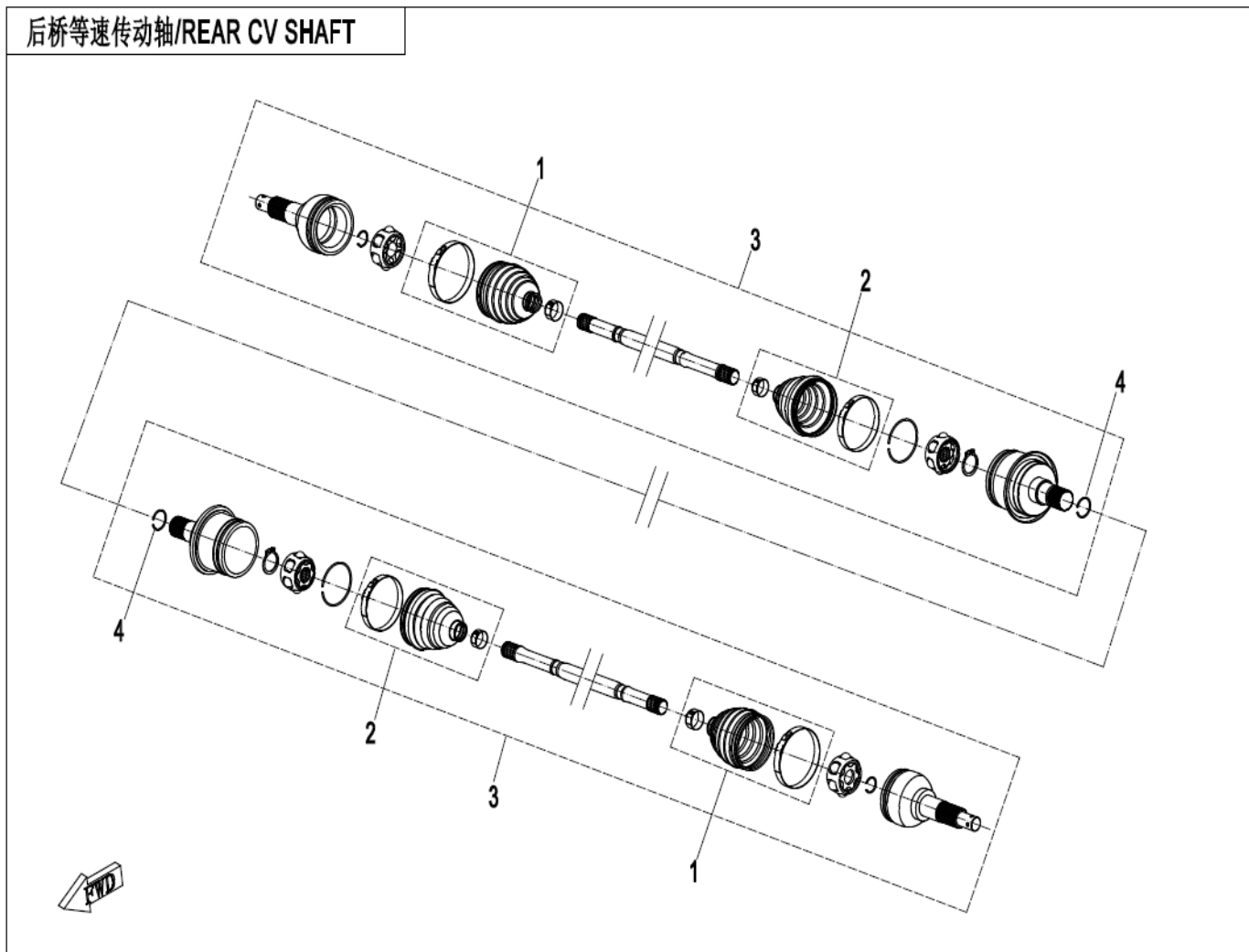
前桥等速传动轴/Front CV Shaft



F27 FRONT CV SHAFT

Item No.	Parts Number	Parts Name(EN)	Qty	Specification
01	5HY0-2803A0	DUST BOOT, REAR FIXED END	2	
02	9GQ0-280150	DUST BOOT KIT, FIXED END	2	
03	5BY0-270200	FRONT CV DRIVE SHAFT, RH	2	
04	9010-270203	WIRE CIRCLIP	2	

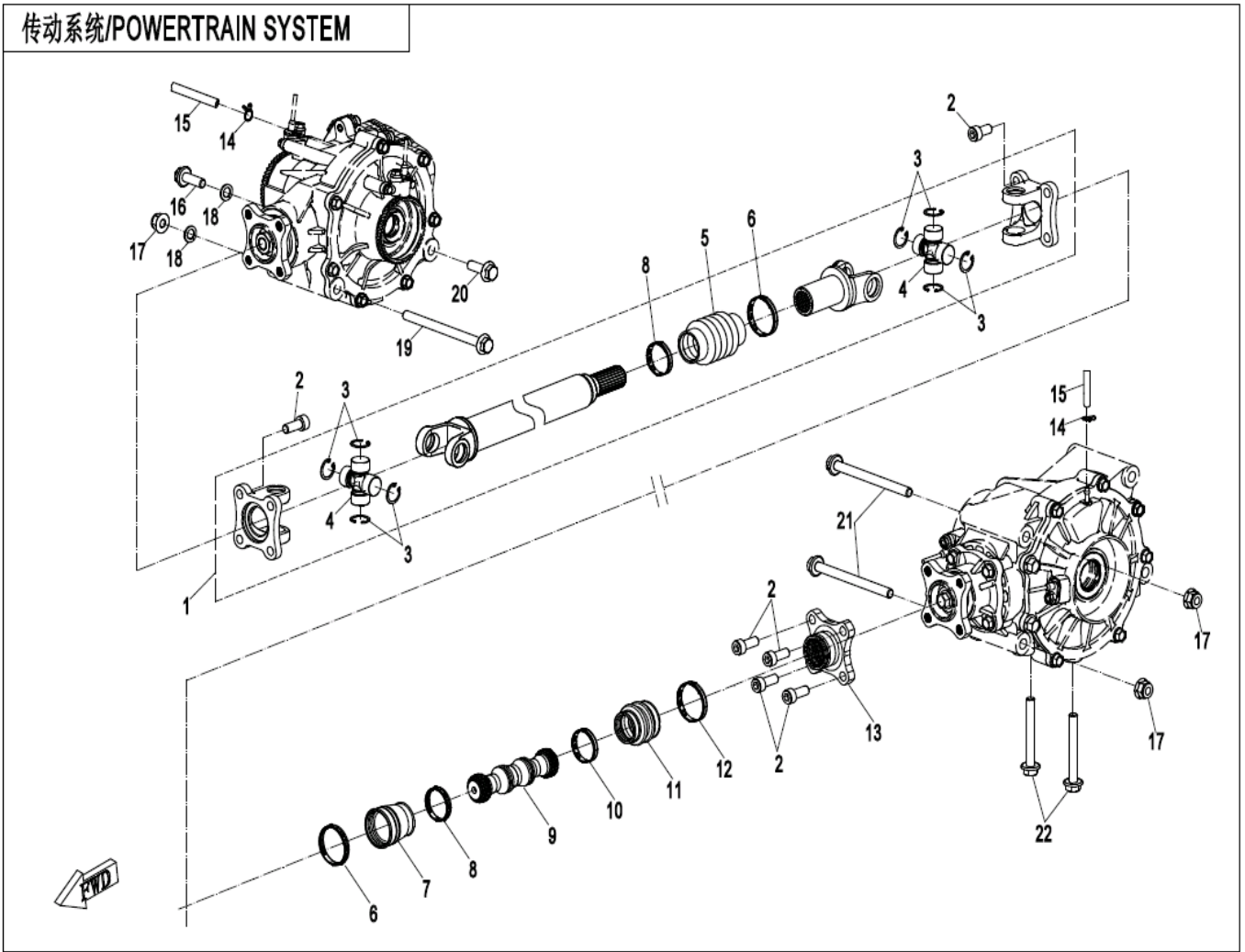
后桥等速传动轴/REAR CV SHAFT



F28 REAR CV SHAFT

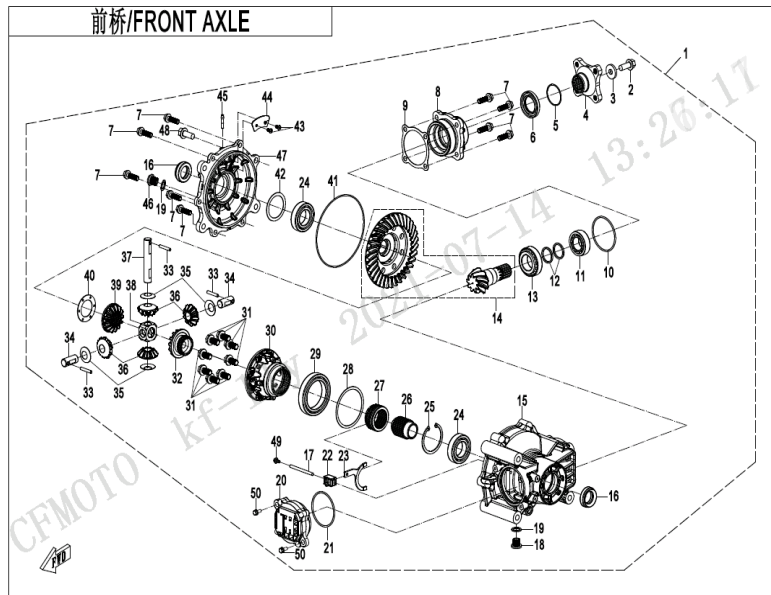
Item No.	Parts Number	Parts Name(EN)	Qty	Specification
01	5HY0-2803A0	DUST BOOT, REAR FIXED END	2	
02	5HY0-2803B0	DUST BOOT KIT, REAR MOTION JOINT	2	
03	5BY0-280300	REAR CV DRIVE SHAFT	2	
04	5BWB-280302	CIRCLIP	2	

传动系统/POWERTRAIN SYSTEM



F30 DRIVETRAIN SYSTEM

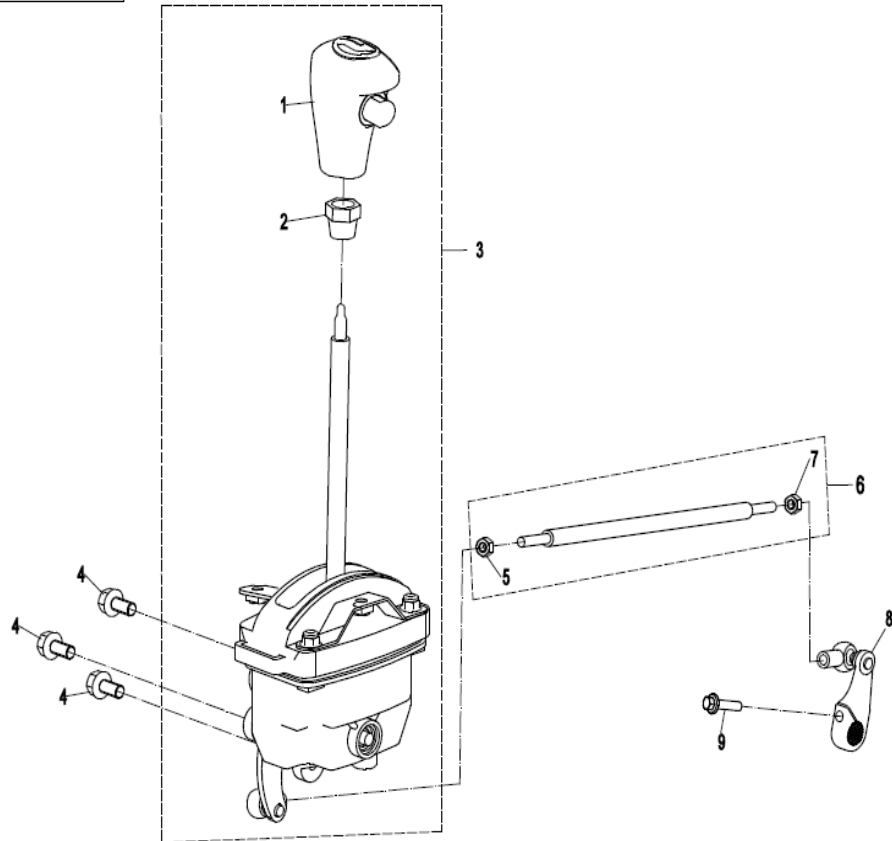
Item No.	Parts Number	Parts Name(EN)	Qty	Specification
01	5BY0-290200-10000	FRONT DRIVE SHAFT	1	
02	30102-102025810	SCREW M10x1.25x25	12	M10x1.25x25
03	30800-02205	CIRCLIP FOR HOLE	8	22
04	9GQ0-290210	CROSS SHAFT, UNIVERSAL JOINT	2	
05	700V-290001-1700	DUST BOOT	1	
06	9GQ0-290104	BIG CLAMP	2	
07	9GQ0-290103-10000	DUST BOOT	1	
08	9GQ0-290102	SMALL CLAMP	2	
09	5BY0-300101	REAR DRIVE SHAFT	1	
10	9CR6-300204	SMALL CLAMP	1	
11	9CR6-300203-10000	DUST BOOT	1	
12	9CR6-300202	BIG CLAMP	1	
13	9CR6-300206-10000	DRIVE SLEEVE, REAR GEAR CASE	1	
14	30601-108010	CLAMP A8	2	A8
15	9010-310001	BREATHER HOSE, FRONT GEAR CASE	2	
16	30006-102030810	BOLT M10x1.25x30	1	M10x1.25x30
17	30204-102810	NUT M10x1.25	3	M10x1.25
18	30306-100112	WASHER	2	10
19	30006-102130810	BOLT M10x1.25x130	1	M10x1.25x130
20	30006-102040810	BOLT M10x1.25x40	1	M10x1.25x40
21	30006-102120810	BOLT M10x1.25x120	2	M10x1.25x120
22	30006-102070810	BOLT M10x1.25x70	2	M10x1.25x70



F31 FRONT AXLE

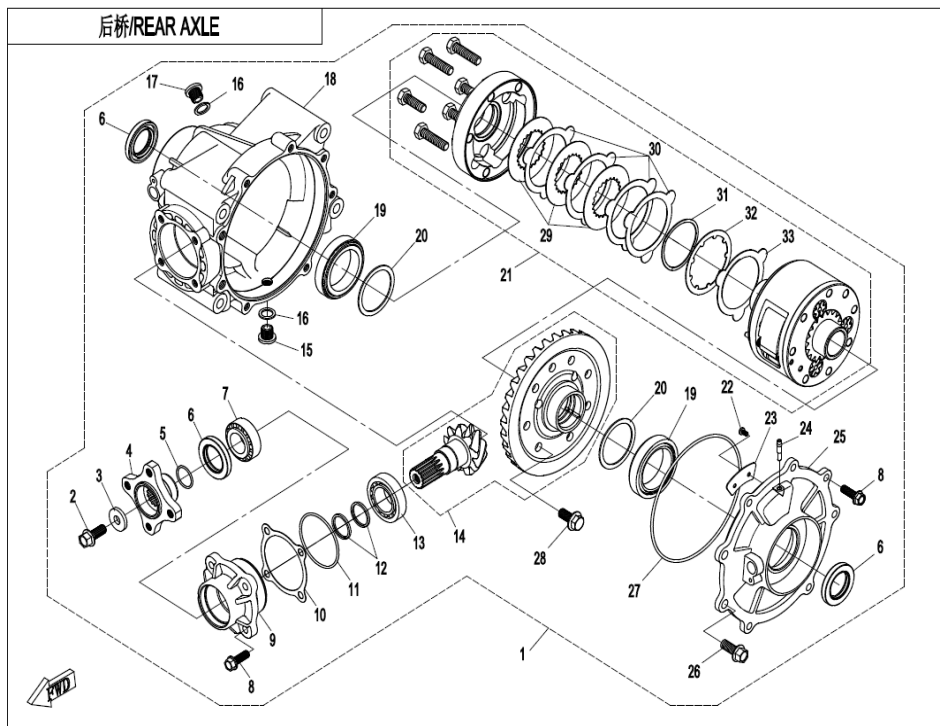
Item No.	Parts Number	Parts Name(EN)	Qty	Specification
01	Q890-310000-10000	FRONT GEAR CASE ASSY	1	
02	0GR0-062203	BOLT M10x1.25x20	1	M10x1.25x20
03	0GR0-062204	WASHER 10x27.5x4	1	10x27.5x4
04	Q850-331002	COUPLER	1	
05	0800-062205	O-SEAL RING 25x2	1	25x2
06	0800-062204	OIL SEAL 35x50x7	1	35x50x7
07	0110-060011-0010	BOLT M8x28	9	M8x28
08	Q830-311002-00001	BEARING SEAT	1	
09	Q830-310023-00100	ADJUSTING WASHER T=0.20	1	T=0.20
09	Q830-310023-00200	ADJUSTING WASHER T=0.30	1	T=0.30
10	Q830-310006-10000	O-RING 55x2.5	1	55x2.5
11	30409-02500	BEARING	1	33005(25x47x17)
12	Q830-311003-00100	ADJUSTING WASHER 32x25.4 T=2.10	2	T=2.10
12	Q830-311003-00200	ADJUSTING WASHER 32x25.4 T=2.20	2	T=2.20
12	Q830-311003-00300	ADJUSTING WASHER 32x25.4 T=2.30	2	T=2.30
12	Q830-311003-00400	ADJUSTING WASHER 32x25.4 T=2.40	2	T=2.40
12	Q830-311003-00500	ADJUSTING WASHER 32x25.4 T=2.42	2	T=2.42
12	Q830-311003-00600	ADJUSTING WASHER 32x25.4 T=2.44	2	T=2.44
12	Q830-311003-00700	ADJUSTING WASHER 32x25.4 T=2.46	2	T=2.46
12	Q830-311003-00800	ADJUSTING WASHER 32x25.4 T=2.48	2	T=2.48
12	Q830-311003-00900	ADJUSTING WASHER 32x25.4 T=2.50	2	T=2.50
12	Q830-311003-01000	ADJUSTING WASHER 32x25.4 T=2.60	2	T=2.60
12	Q830-311003-01100	ADJUSTING WASHER 32x25.4 T=2.70	2	T=2.70
12	Q830-311003-01200	ADJUSTING WASHER 32x25.4 T=2.80	2	T=2.80
12	Q830-311003-01300	ADJUSTING WASHER 32x25.4 T=2.90	2	T=2.90
12	Q830-311003-01400	ADJUSTING WASHER 32x25.4 T=3.00	2	T=3.00
13	30409-03000	BEARING	1	32006(30x55x17)
14	Q890-3100A0	BEVEL GEAR ASSY, FRONT GEAR CASE	1	
15	Q890-310001	FRONT GEAR CASE	1	
16	0180-311001	OIL SEAL 24x38x8	2	24x38x8
17	Q830-310003	PIN SHAFT	1	
18	0180-332100	OIL DRAIN BOLT M14x1.25x12, MAGNETIC	1	M14x1.25x12
19	0180-011006	GASKET 14	2	14
20	Q890-314000-10000	MOTOR ASSY, FRONT GEAR CASE	1	Kaidi PLUG
21	Q830-310012-10000	O-RING 67.5x2	1	
22	Q890-310010	BLOCK ASSY.	1	
23	Q890-310003	SHIFT FORK	1	
24	30400-03001	BEARING 30x55x13	2	6006
25	30800-05505		1	55
26	Q830-310014	DRIVE CLUTCH COVER	1	
27	Q830-310013	SPLINE BUSHING	1	
28	Q830-310015-00100	ADJUSTING WASHER 79.5x68 T=0.10	1	T=0.10
28	Q830-310015-00200	ADJUSTING WASHER 79.5x68 T=0.20	1	T=0.20
28	Q830-310015-00300	ADJUSTING WASHER 79.5x68 T=0.30	1	T=0.30
28	Q830-310015-00400	ADJUSTING WASHER 79.5x68 T=0.40	1	T=0.40
28	Q830-310015-00500	ADJUSTING WASHER 79.5x68 T=0.50	1	T=0.50
28	Q830-310015-00600	ADJUSTING WASHER 79.5x68 T=1.00	1	T=1.00
29	30400-05500	BEARING	1	61911(55x80x13)
30	Q890-313002	DIFFERENTIAL HOUSING	1	
31	0181-313100	BOLT M10x1.25x22	8	
32	Q830-313004	GEAR, CV SHAFT	1	
33	30906-0503000	PIN	3	5x30
34	Q820-333005	PLANET GEAR SHAFT, SHORT	2	
35	0181-313011	WEARING RING	4	
36	0180-313003	CENTER GEAR, DIFFERENTIAL	4	
37	Q820-333006	PLANET GEAR AXLE	1	
38	Q820-333008	CROSS BUSHING	1	
39	0180-313006-00001	DRIVEN GEAR, DIFFERENTIAL	1	
40	Q800-313005-00100	GEAR WASHER	1	t=1.00
40	Q800-313005-00200	GEAR WASHER	1	t=1.20
41	Q830-310011	O-SEAL RING 130x2	1	
42	Q830-310009-00100	ADJUSTING WASHER 54.5x43 T=0.10	1	T=0.10
42	Q830-310009-00200	ADJUSTING WASHER 54.5x43 T=0.20	1	T=0.20
42	Q830-310009-00300	ADJUSTING WASHER 54.5x43 T=0.30	1	T=0.30
42	Q830-310009-00400	ADJUSTING WASHER 54.5x43 T=0.40	1	T=0.40
42	Q830-310009-00500	ADJUSTING WASHER 54.5x43 T=0.50	1	T=0.50
42	Q830-310009-00600	ADJUSTING WASHER 54.5x43 T=1.00	1	T=1.00
43	30105-040008410	SCREW M4x8	2	M4x8
44	Q820-330007-10000	OIL BAFFLE	1	
45	0180-311004-0020	JOINT, BREATHER HOSE	1	
46	0180-021008-0010	BOLT M14x1.25x12	1	M14x1.25x12
47	Q890-310002	FRONT GEAR CASE COVER	1	
48	0180-330004-0010	BOLT M10x1.25x25	1	M10x1.25x25
49	30130-080010820	INNER HEX SCREW M8x10	1	M8x10
50	0010-023008-0010	BOLT M6x18	2	M6x18

换挡机构/ GEAR SHIFTING



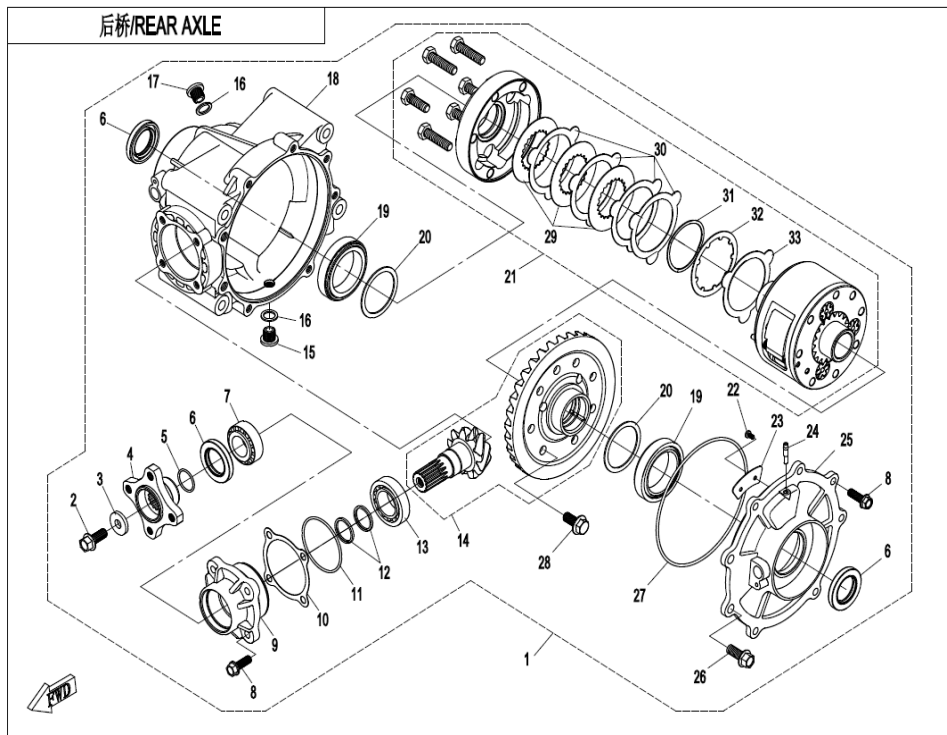
F32 GEAR SHIFTING

Item No.	Parts Number	Parts Name(EN)	Qty	Specification
1	5BYV-320110-A100	GEARSHIFT BALL HEAD	1	
2	9050-320123	NUT	1	
3	5BYV-320100-A100	GEARSHIFT ASSY	1	
4	30006-080016810	BOLT M8x16	3	M8x16
5	30202-06014L	NUT M6	1	M6
6	5BY0-320300	SHIFT LEVER ASSY	1	
7	30202-060140	NUT M6	1	M6
8	9010-320200-2000	ROCKER, GEARSHIFT	1	
9	0010-080013-0010	BOLT M6x22	1	M6x22



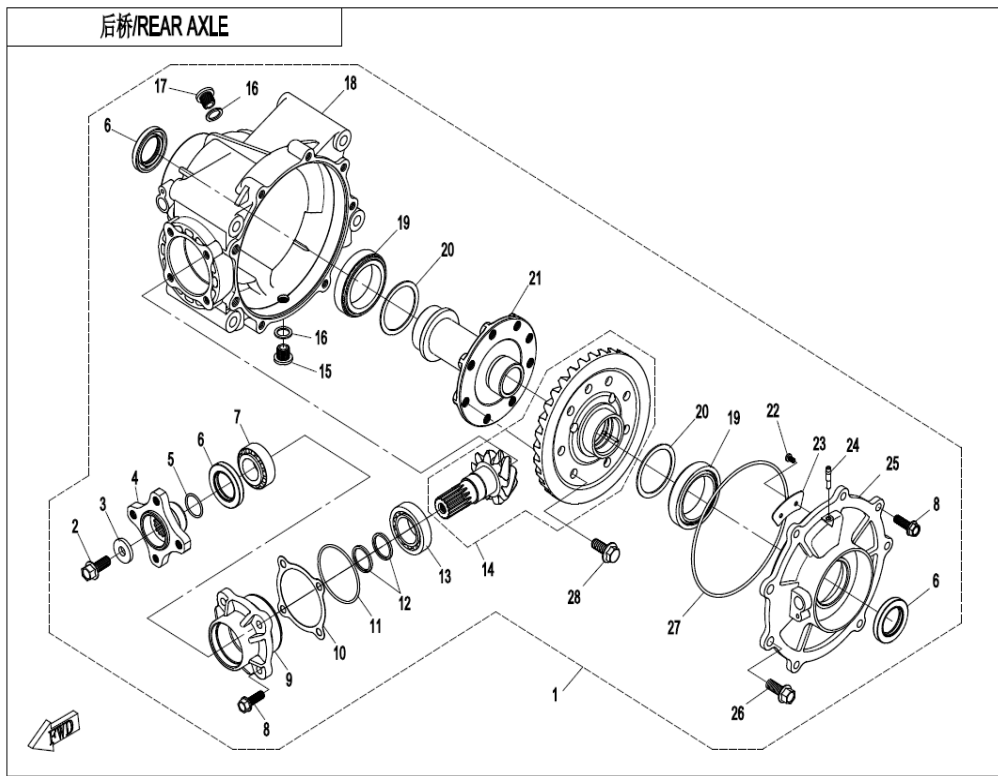
F33-A-V1 REAR AXLE (AUTOMATIC LOCK DIFFERENTIAL)

Item No.	Parts Number	Parts Name(EN)	Qty	Specification
01	Q860-330000-00002	REAR GEAR CASE ASSY	1	
02	0GR0-062203	BOLT M10x1.25x20	1	M10x1.25x20
03	0GR0-062204	WASHER 10x27.5x4	1	10x27.5x4
04	Q850-331002	COUPLER	1	
05	0800-062205	O-SEAL RING 25x2	1	25x2
06	0800-062204	OIL SEAL 35x50x7	3	35x50x7
07	30409-02500	BEARING	1	33005(25x47x17)
08	0110-060011-0010	BOLT M8x28	10	M8x28
09	Q830-311002-00001	BEARING SEAT	1	
10	Q830-310023-00200	ADJUSTING WASHER T=0.30	1	T=0.30
10	Q830-310023-00100	ADJUSTING WASHER T=0.20	1	T=0.20
11	Q830-310006-10000	O-RING 55x2.5	1	55x2.5
12	Q830-311003-01400	ADJUSTING WASHER 32x25.4 T=3.00	2	T=3.00
12	Q830-311003-01300	ADJUSTING WASHER 32x25.4 T=2.90	2	T=2.90
12	Q830-311003-01200	ADJUSTING WASHER 32x25.4 T=2.80	2	T=2.80
12	Q830-311003-01100	ADJUSTING WASHER 32x25.4 T=2.70	2	T=2.70
12	Q830-311003-01000	ADJUSTING WASHER 32x25.4 T=2.60	2	T=2.60
12	Q830-311003-00900	ADJUSTING WASHER 32x25.4 T=2.50	2	T=2.50
12	Q830-311003-00800	ADJUSTING WASHER 32x25.4 T=2.48	2	T=2.48
12	Q830-311003-00700	ADJUSTING WASHER 32x25.4 T=2.46	2	T=2.46
12	Q830-311003-00600	ADJUSTING WASHER 32x25.4 T=2.44	2	T=2.44
12	Q830-311003-00500	ADJUSTING WASHER 32x25.4 T=2.42	2	T=2.42
12	Q830-311003-00400	ADJUSTING WASHER 32x25.4 T=2.40	2	T=2.40
12	Q830-311003-00300	ADJUSTING WASHER 32x25.4 T=2.30	2	T=2.30
12	Q830-311003-00200	ADJUSTING WASHER 32x25.4 T=2.20	2	T=2.20
12	Q830-311003-00100	ADJUSTING WASHER 32x25.4 T=2.10	2	T=2.10
13	30409-03000	BEARING	1	32006(30x55x17)
14	Q860-3300A0-00001	BEVEL GEAR ASSY, REAR GEAR CASE	1	
15	0180-332100	OIL DRAIN BOLT M14x1.25x12, MAGNETIC	1	M14x1.25x12
16	0180-011006	GASKET 14	2	14
17	0180-021008-0010	BOLT M14x1.25x12	1	M14x1.25x12
18	Q860-330001-00002	REAR GEAR CASE	1	
19	30409-05000	BEARING	2	
20	Q820-330003-00900	ADJUSTING WASHER 61x50.5 T=1.00	4	T=1.00
20	Q820-330003-00800	ADJUSTING WASHER 61x50.5 T=0.98	4	T=0.98
20	Q820-330003-00700	ADJUSTING WASHER 61x50.5 T=0.96	4	T=0.96
20	Q820-330003-00600	ADJUSTING WASHER 61x50.5 T=0.94	4	T=0.94
20	Q820-330003-00500	ADJUSTING WASHER 61x50.5 T=0.92	4	T=0.92
20	Q820-330003-00400	ADJUSTING WASHER 61x50.5 T=0.90	4	T=0.90
20	Q820-330003-00300	ADJUSTING WASHER 61x50.5 T=0.50	4	T=0.50
20	Q820-330003-00200	ADJUSTING WASHER 61x50.5 T=0.30	4	T=0.30
20	Q820-330003-00100	ADJUSTING WASHER 61x50.5 T=0.10	4	T=0.10
21	Q860-333100	AUTOMATIC LOCK DIFFERENTIAL ASSY	1	
22	30105-040008410	SCREW M4x8	2	M4x8
23	Q830-310022	OIL GUARD	1	
24	0180-311004-0020	JOINT, BREATHER HOSE	1	
25	Q860-330002-00002	REAR GEAR CASE COVER	1	
26	0180-330004-0010	BOLT M10x1.25x25	2	M10x1.25x25
27	0180-334002	O-SEAL RING 151x3	1	151x3
28	0181-313100-0010	BOLT M10x1.25x22	8	M10x1.25x22
29	Q850-333107	FRICITION DISC, INNER GEAR	3	
30	Q850-333104	FRICITION DISC, OUTER GEAR	4	
31	Q850-333111	GASKET	1	
32	Q850-333108	FRICITION DISC, INNER	1	
33	Q850-333106	POLISHED SECTION, FRICITION DISC	1	



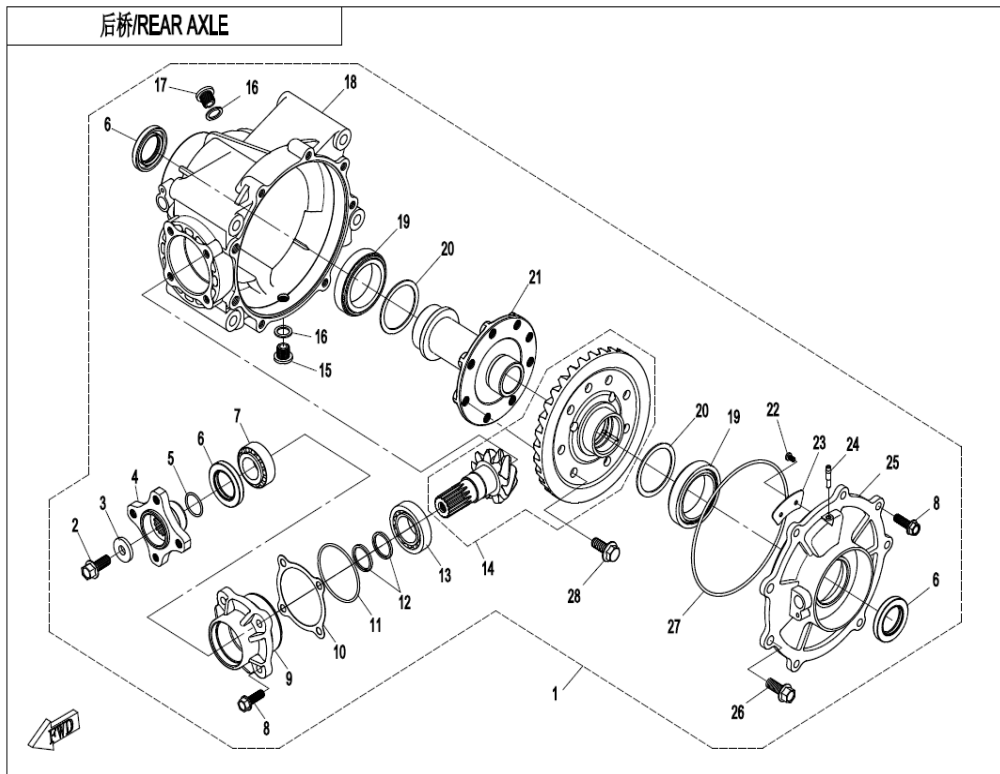
F33-A-V2 REAR AXLE (AUTOMATIC LOCK DIFFERENTIAL)

Item No.	Parts Number	Parts Name(EN)	Qty	Specification
01	Q860-330000-00003	REAR GEAR CASE ASSY	1	
02	Q860-331002	BOLT	1	M12x1.25x25
03	0180-331008-00001	WASHER	1	13x27.5x4
04	Q850-331002	COUPLER	1	
05	0800-062205	O-SEAL RING 25x2	1	25x2
06	0800-062204	OIL SEAL 35x50x7	3	35x50x7
07	30409-02500	BEARING	1	33005(25x47x17)
08	0110-060011-0010	BOLT M8x28	10	M8x28
09	Q830-311002-00001	BEARING SEAT	1	
10	Q830-310023-00200	ADJUSTING WASHER T=0.30	1	T=0.30
10	Q830-310023-00100	ADJUSTING WASHER T=0.20	1	T=0.20
11	Q830-310006-10000	O-RING 55x2.5	1	55x2.5
12	Q830-311003-01400	ADJUSTING WASHER 32x25.4 T=3.00	2	T=3.00
12	Q830-311003-01300	ADJUSTING WASHER 32x25.4 T=2.90	2	T=2.90
12	Q830-311003-01200	ADJUSTING WASHER 32x25.4 T=2.80	2	T=2.80
12	Q830-311003-01100	ADJUSTING WASHER 32x25.4 T=2.70	2	T=2.70
12	Q830-311003-01000	ADJUSTING WASHER 32x25.4 T=2.60	2	T=2.60
12	Q830-311003-00900	ADJUSTING WASHER 32x25.4 T=2.50	2	T=2.50
12	Q830-311003-00800	ADJUSTING WASHER 32x25.4 T=2.48	2	T=2.48
12	Q830-311003-00700	ADJUSTING WASHER 32x25.4 T=2.46	2	T=2.46
12	Q830-311003-00600	ADJUSTING WASHER 32x25.4 T=2.44	2	T=2.44
12	Q830-311003-00500	ADJUSTING WASHER 32x25.4 T=2.42	2	T=2.42
12	Q830-311003-00400	ADJUSTING WASHER 32x25.4 T=2.40	2	T=2.40
12	Q830-311003-00300	ADJUSTING WASHER 32x25.4 T=2.30	2	T=2.30
12	Q830-311003-00200	ADJUSTING WASHER 32x25.4 T=2.20	2	T=2.20
12	Q830-311003-00100	ADJUSTING WASHER 32x25.4 T=2.10	2	T=2.10
13	30409-03000	BEARING	1	32006(30x55x17)
14	Q860-3300A0-00003	BEVEL GEAR ASSY, REAR GEAR CASE	1	
15	0180-332100	OIL DRAIN BOLT M14x1.25x12, MAGNETIC	1	M14x1.25x12
16	0180-011006	GASKET 14	2	14
17	0180-021008-0010	BOLT M14x1.25x12	1	M14x1.25x12
18	Q860-330001-00002	REAR GEAR CASE	1	
19	30409-05000	BEARING	2	
20	Q820-330003-00900	ADJUSTING WASHER 61x50.5 T=1.00	4	T=1.00
20	Q820-330003-00800	ADJUSTING WASHER 61x50.5 T=0.98	4	T=0.98
20	Q820-330003-00700	ADJUSTING WASHER 61x50.5 T=0.96	4	T=0.96
20	Q820-330003-00600	ADJUSTING WASHER 61x50.5 T=0.94	4	T=0.94
20	Q820-330003-00500	ADJUSTING WASHER 61x50.5 T=0.92	4	T=0.92
20	Q820-330003-00400	ADJUSTING WASHER 61x50.5 T=0.90	4	T=0.90
20	Q820-330003-00300	ADJUSTING WASHER 61x50.5 T=0.50	4	T=0.50
20	Q820-330003-00200	ADJUSTING WASHER 61x50.5 T=0.30	4	T=0.30
20	Q820-330003-00100	ADJUSTING WASHER 61x50.5 T=0.10	4	T=0.10
21	Q860-333100	AUTOMATIC LOCK DIFFERENTIAL ASSY	1	
22	30105-040008410	SCREW M4x8	2	M4x8
23	Q830-310022	OIL GUARD	1	
24	0180-311004-0020	JOINT, BREATHER HOSE	1	
25	Q860-330002-00003	REAR GEAR CASE COVER	1	
26	0180-330004-0010	BOLT M10x1.25x25	2	M10x1.25x25
27	0180-334002	O-SEAL RING 151x3	1	151x3
28	0181-313100-0010	BOLT M10x1.25x22	8	M10x1.25x22
29	Q850-333107	FRICITION DISC, INNER GEAR	3	
30	Q850-333104	FRICITION DISC, OUTER GEAR	4	
31	Q850-333111	GASKET	1	
32	Q850-333108	FRICITION DISC, INNER	1	
33	Q850-333106	POLISHED SECTION, FRICITION DISC	1	



F33-B-V1 REAR AXLE (WITHOUT DIFFERENTIAL)

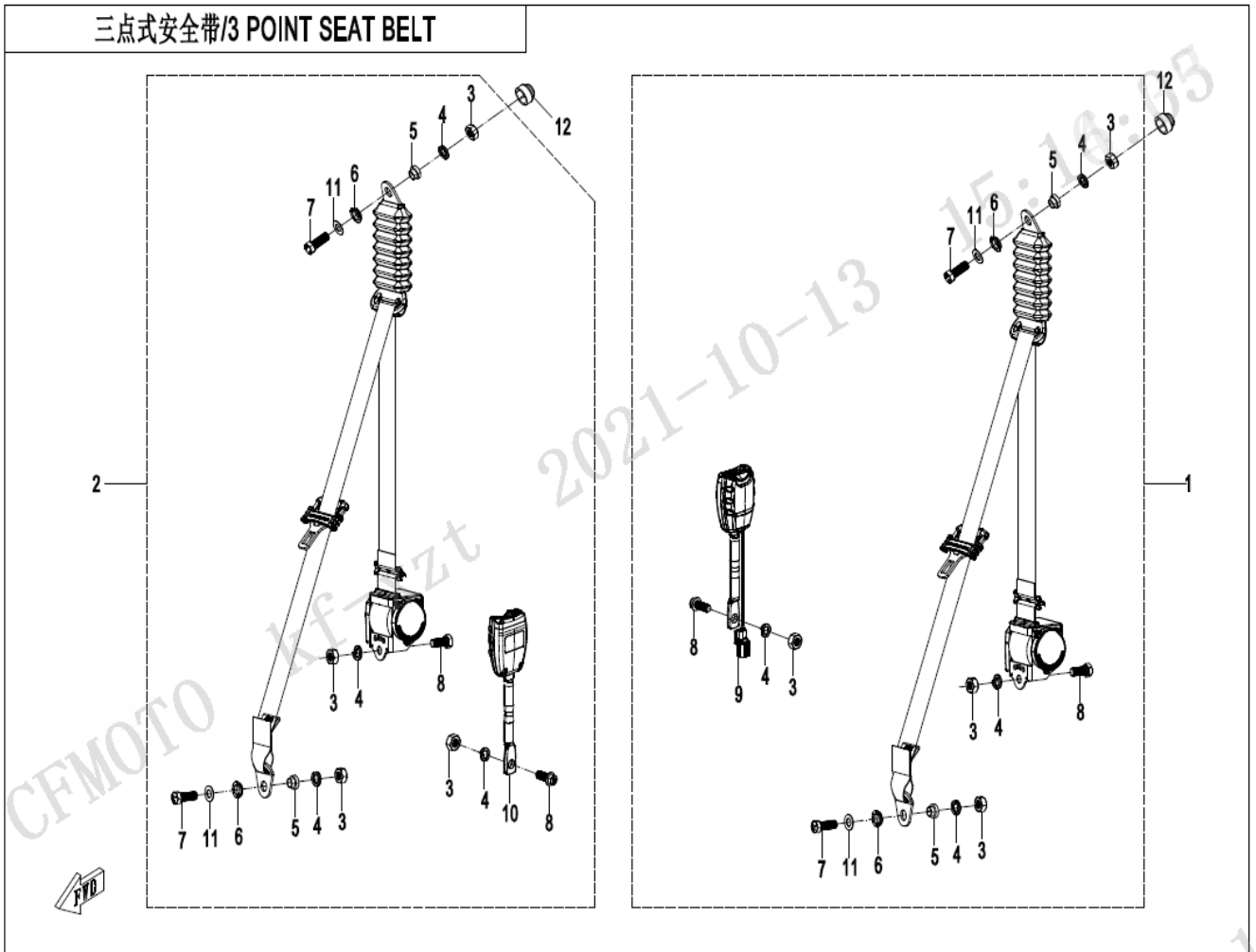
Item No.	Parts Number	Parts Name(EN)	Qty	Specification
01	Q860-330000-40002	REAR GEAR CASE ASSY	1	
02	0GR0-062203	BOLT M10x1.25x20	1	M10x1.25x20
03	0GR0-062204	WASHER 10x27.5x4	1	10x27.5x4
04	Q850-331002	COUPLER	1	
05	0800-062205	O-SEAL RING 25x2	1	25x2
06	0800-062204	OIL SEAL 35x50x7	3	35x50x7
07	30409-02500	BEARING	1	33005(25x47x17)
08	0110-060011-0010	BOLT M8x28	10	M8x28
09	Q830-311002-00001	BEARING SEAT	1	
10	Q830-310023-00100	ADJUSTING WASHER T=0.20	1	T=0.20
10	Q830-310023-00200	ADJUSTING WASHER T=0.30	1	T=0.30
11	Q830-310006-10000	O-RING 55x2.5	1	55x2.5
12	Q830-311003-00100	ADJUSTING WASHER 32x25.4 T=2.10	2	T=2.10
12	Q830-311003-00200	ADJUSTING WASHER 32x25.4 T=2.20	2	T=2.20
12	Q830-311003-00300	ADJUSTING WASHER 32x25.4 T=2.30	2	T=2.30
12	Q830-311003-00400	ADJUSTING WASHER 32x25.4 T=2.40	2	T=2.40
12	Q830-311003-00500	ADJUSTING WASHER 32x25.4 T=2.42	2	T=2.42
12	Q830-311003-00600	ADJUSTING WASHER 32x25.4 T=2.44	2	T=2.44
12	Q830-311003-00700	ADJUSTING WASHER 32x25.4 T=2.46	2	T=2.46
12	Q830-311003-00800	ADJUSTING WASHER 32x25.4 T=2.48	2	T=2.48
12	Q830-311003-00900	ADJUSTING WASHER 32x25.4 T=2.50	2	T=2.50
12	Q830-311003-01000	ADJUSTING WASHER 32x25.4 T=2.60	2	T=2.60
12	Q830-311003-01100	ADJUSTING WASHER 32x25.4 T=2.70	2	T=2.70
12	Q830-311003-01200	ADJUSTING WASHER 32x25.4 T=2.80	2	T=2.80
12	Q830-311003-01300	ADJUSTING WASHER 32x25.4 T=2.90	2	T=2.90
12	Q830-311003-01400	ADJUSTING WASHER 32x25.4 T=3.00	2	T=3.00
13	30409-03000	BEARING	1	32006(30x55x17)
14	Q860-3300A0-00002	BEVEL GEAR ASSY, REAR GEAR CASE	1	
15	0180-332100	OIL DRAIN BOLT M14x1.25x12, MAGNETIC	1	M14x1.25x12
16	0180-011006	GASKET 14	2	14
17	0180-021008-0010	BOLT M14x1.25x12	1	M14x1.25x12
18	Q860-330001-00002	REAR GEAR CASE	1	
19	30409-05000	BEARING	2	
20	Q820-330003-00100	ADJUSTING WASHER 61x50.5 T=0.10	4	T=0.10
20	Q820-330003-00200	ADJUSTING WASHER 61x50.5 T=0.30	4	T=0.30
20	Q820-330003-00300	ADJUSTING WASHER 61x50.5 T=0.50	4	T=0.50
20	Q820-330003-00400	ADJUSTING WASHER 61x50.5 T=0.90	4	T=0.90
20	Q820-330003-00500	ADJUSTING WASHER 61x50.5 T=0.92	4	T=0.92
20	Q820-330003-00600	ADJUSTING WASHER 61x50.5 T=0.94	4	T=0.94
20	Q820-330003-00700	ADJUSTING WASHER 61x50.5 T=0.96	4	T=0.96
20	Q820-330003-00800	ADJUSTING WASHER 61x50.5 T=0.98	4	T=0.98
20	Q820-330003-00900	ADJUSTING WASHER 61x50.5 T=1.00	4	T=1.00
21	Q850-330003-00001	MOUNTING BASE	1	
22	30105-040008410	SCREW M4x8	2	M4x8
23	Q830-310022	OIL GUARD	1	
24	0180-311004-0020	JOINT, BREATHER HOSE	1	
25	Q860-330002-00002	REAR GEAR CASE COVER	1	
26	0180-330004-0010	BOLT M10x1.25x25	2	M10x1.25x25
27	0180-334002	O-SEAL RING 151x3	1	151x3
28	0181-313100-0010	BOLT M10x1.25x22	8	M10x1.25x22



F33-B-V2 REAR AXLE (WITHOUT DIFFERENTIAL)

Item No.	Parts Number	Parts Name(EN)	Qty	Specification
01	Q860-330000-40003	REAR GEAR CASE ASSY	1	
02	Q860-331002	BOLT	1	M12x1.25x25
03	0180-331008-00001	WASHER	1	13x27.5x4
04	Q850-331002	COUPLER	1	
05	0800-062205	O-SEAL RING 25x2	1	25x2
06	0800-062204	OIL SEAL 35x50x7	3	35x50x7
07	30409-02500	BEARING	1	33005(25x47x17)
08	0110-060011-0010	BOLT M8x28	10	M8x28
09	Q830-311002-00001	BEARING SEAT	1	
10	Q830-310023-00100	ADJUSTING WASHER T=0.20	1	T=0.20
10	Q830-310023-00200	ADJUSTING WASHER T=0.30	1	T=0.30
11	Q830-310006-10000	O-RING 55x2.5	1	55x2.5
12	Q830-311003-00100	ADJUSTING WASHER 32x25.4 T=2.10	2	T=2.10
12	Q830-311003-00200	ADJUSTING WASHER 32x25.4 T=2.20	2	T=2.20
12	Q830-311003-00300	ADJUSTING WASHER 32x25.4 T=2.30	2	T=2.30
12	Q830-311003-00400	ADJUSTING WASHER 32x25.4 T=2.40	2	T=2.40
12	Q830-311003-00500	ADJUSTING WASHER 32x25.4 T=2.42	2	T=2.42
12	Q830-311003-00600	ADJUSTING WASHER 32x25.4 T=2.44	2	T=2.44
12	Q830-311003-00700	ADJUSTING WASHER 32x25.4 T=2.46	2	T=2.46
12	Q830-311003-00800	ADJUSTING WASHER 32x25.4 T=2.48	2	T=2.48
12	Q830-311003-00900	ADJUSTING WASHER 32x25.4 T=2.50	2	T=2.50
12	Q830-311003-01000	ADJUSTING WASHER 32x25.4 T=2.60	2	T=2.60
12	Q830-311003-01100	ADJUSTING WASHER 32x25.4 T=2.70	2	T=2.70
12	Q830-311003-01200	ADJUSTING WASHER 32x25.4 T=2.80	2	T=2.80
12	Q830-311003-01300	ADJUSTING WASHER 32x25.4 T=2.90	2	T=2.90
12	Q830-311003-01400	ADJUSTING WASHER 32x25.4 T=3.00	2	T=3.00
13	30409-03000	BEARING	1	32006(30x55x17)
14	Q860-3300A0-00003	BEVEL GEAR ASSY, REAR GEAR CASE	1	
15	0180-332100	OIL DRAIN BOLT M14x1.25x12, MAGNETIC	1	M14x1.25x12
16	0180-011006	GASKET 14	2	14
17	0180-021008-0010	BOLT M14x1.25x12	1	M14x1.25x12
18	Q860-330001-00002	REAR GEAR CASE	1	
19	30409-05000	BEARING	2	
20	Q820-330003-00100	ADJUSTING WASHER 61x50.5 T=0.10	4	T=0.10
20	Q820-330003-00200	ADJUSTING WASHER 61x50.5 T=0.30	4	T=0.30
20	Q820-330003-00300	ADJUSTING WASHER 61x50.5 T=0.50	4	T=0.50
20	Q820-330003-00400	ADJUSTING WASHER 61x50.5 T=0.90	4	T=0.90
20	Q820-330003-00500	ADJUSTING WASHER 61x50.5 T=0.92	4	T=0.92
20	Q820-330003-00600	ADJUSTING WASHER 61x50.5 T=0.94	4	T=0.94
20	Q820-330003-00700	ADJUSTING WASHER 61x50.5 T=0.96	4	T=0.96
20	Q820-330003-00800	ADJUSTING WASHER 61x50.5 T=0.98	4	T=0.98
20	Q820-330003-00900	ADJUSTING WASHER 61x50.5 T=1.00	4	T=1.00
21	Q850-330003-00001	MOUNTING BASE	1	
22	30105-040008410	SCREW M4x8	2	M4x8
23	Q830-310022	OIL GUARD	1	
24	0180-311004-0020	JOINT, BREATHER HOSE	1	
25	Q860-330002-00002	REAR GEAR CASE COVER	1	
26	0180-330004-0010	BOLT M10x1.25x25	2	M10x1.25x25
27	0180-334002	O-SEAL RING 151x3	1	151x3
28	0181-313100-0010	BOLT M10x1.25x22	8	M10x1.25x22

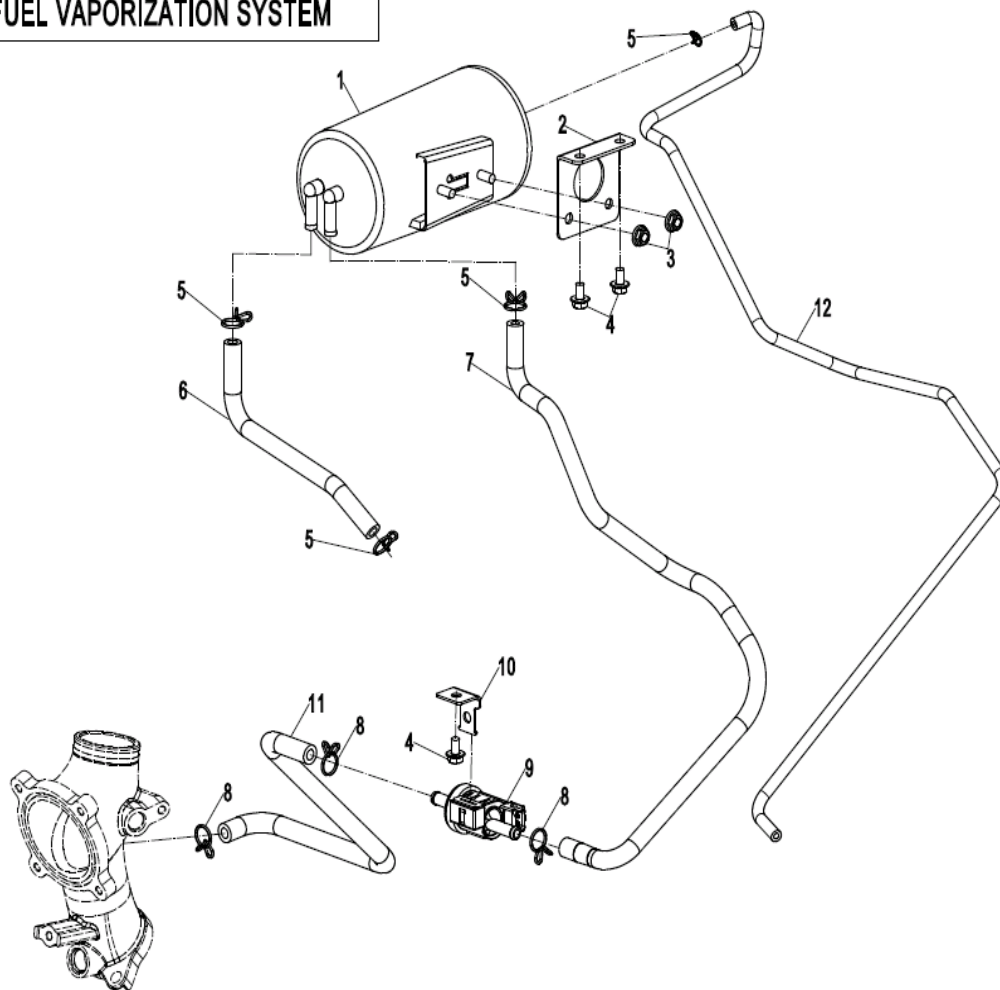
三点式安全带/3 POINT SEAT BELT



F34 3-POINT SEAT BELT

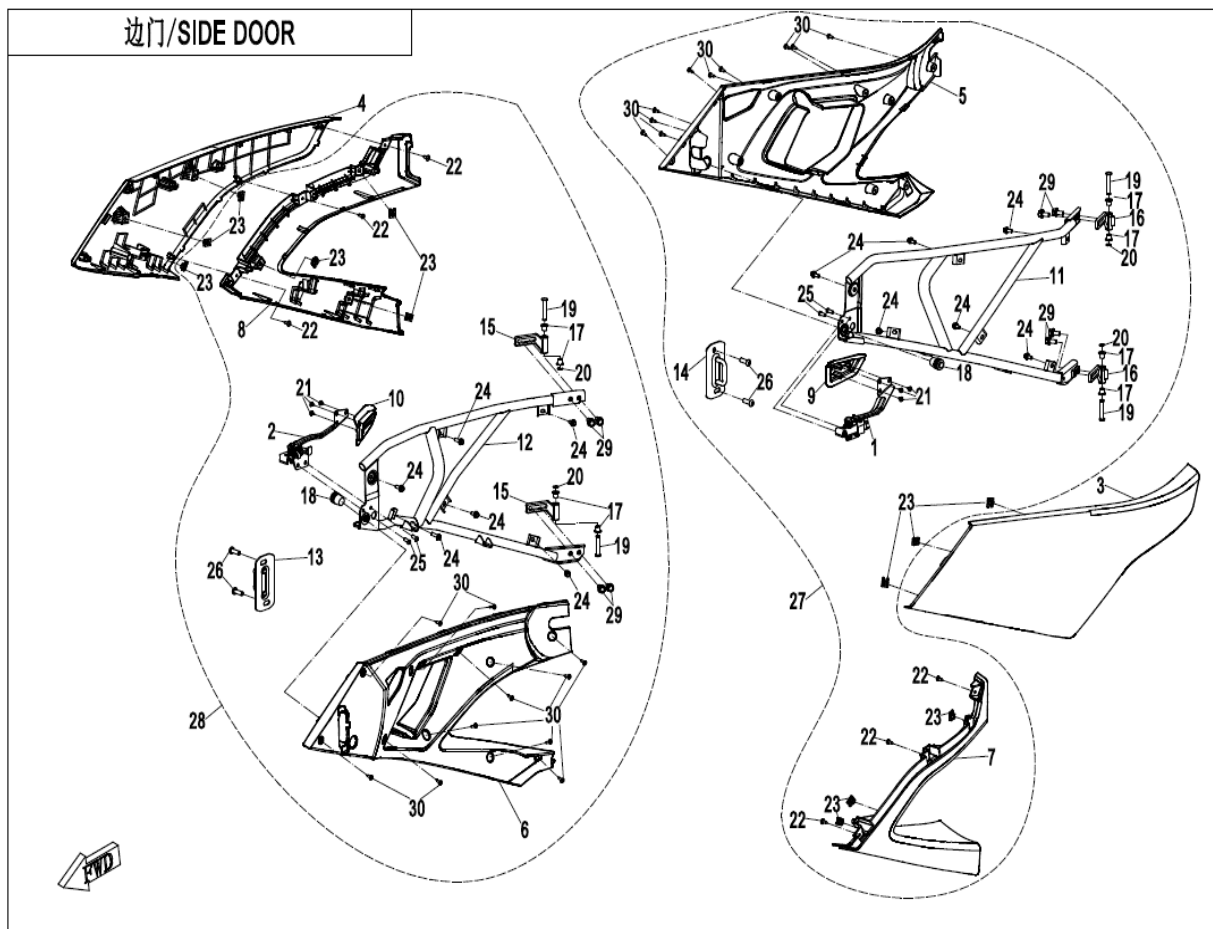
Item No.	Parts Number	Parts Name(EN)	Qty	Specification
01	5BYV-341100-A000	SEAT BELT, DRIVER	1	
02	5BYV-341200-A000	SEAT BELT, PASSENGER	1	
03	5ASV-341100-6200-25	NUT	8	
04	5ASV-341100-6200-26	LOCK WASHER	8	
05	5ASV-341100-6200-27	WASHER	4	"
06	5ASV-341100-6200-23	WASHER	4	
07	5ASV-341100-6200-22	BOLT	4	
08	5ASV-341100-6200-34	BOLT	4	
09	5BYV-341100-A000-35	LH BUCKLE ASSY	1	
10	5BYV-341200-1000-35	RH BUCKLE ASSY	1	
11	5ASV-341100-6200-28	WASHER	4	"
12	9060-340001	GUIDE RING PLUG, SEAT BELT	2	

燃油蒸发系统/FUEL VAPORIZATION SYSTEM



F36 FUEL EVAPORATION SYSTEM

Item No.	Parts Number	Parts Name(EN)	Qty	Specification
01	9AWA-360200	CANISTER	1	
02	5BYA-360001	BRACKET, CANISTER	1	
03	30204-060810	NUT M6	2	M6
04	30006-060012810	BOLT M6x12	3	M6x12
05	30601-112010	CLAMP A12	4	A12
06	5BYA-360002	FUEL VAPOR HOSE 1	1	
07	5BYA-360003	FUEL VAPOR HOSE 2	1	
08	30601-113010	CLAMP A13	3	A13
09	1F30-172000	CANISTER MAGNETIC VALVE	1	
10	5BYA-360005	BRACKET, CANISTER CONTROL VALVE	1	
11	5BYA-360004	FUEL VAPOR HOSE 3	1	
12	9AWA-360002	FUEL VAPOR HOSE 2	1	



F37 SIDE DOORS

Item No.	Parts Number	Parts Name(EN)	Qty	Specification
01	5BY0-371200	LH DOOR LOCK KIT	1	
02	5BY0-372200	RH DOOR LOCK KIT	1	
03	5BY0-371001-OBM00	DECO PLATE, LH UPPER DOOR	1	NEBULA BLACK
03	5BY0-371001-OVE00	DECO PLATE, LH UPPER DOOR	1	PEARL WHITE
03	5BY0-371001-OYD00	DECO PLATE, LH UPPER DOOR	1	LAVA ORANGE
04	5BY0-372001-OBM00	DECO PLATE, RH UPPER DOOR	1	NEBULA BLACK
04	5BY0-372001-OVE00	DECO PLATE, RH UPPER DOOR	1	PEARL WHITE
04	5BY0-372001-OYD00	DECO PLATE, RH UPPER DOOR	1	LAVA ORANGE
05	5BY0-371002		1	
06	5BY0-372002	RH UPPER DOOR PLATE	1	
07	5BYV-371006-1000	REAR PANEL, LH SIDE DOOR	1	
08	5BYV-372006-1000	REAR PANEL, RH SIDE DOOR	1	
09	5BY0-371007	LH DOORNOB	1	
10	5BY0-372007	RH DOORNOB	1	
11	5BY0-371100	FRAME ASSY., LH DOOR	1	
12	5BY0-372100	FRAME ASSY., RH DOOR	1	
13	5BY0-372020	RH LOCK HOOK KIT	1	
14	5BY0-371020	LH LOCK HOOK KIT	1	
15	5BY0-372005	RH UPPER HINGE	2	
16	5BY0-371005	LH UPPER HINGE	2	
17	5HY0-372032-00001	SLEEVE	8	
18	9030-370901-10001	CUSHION RUBBER	2	
19	9CR6-321001-00001	PIN SHAFT, GEARSHIFT LEVER	4	
20	30802-00607	SPLIT WASHER 6	4	
21	30110-420095010	SELF-TAPPING SCREW ST4.2x9.5	6	ST4.2x9.5
22	30110-420160010	SELF-TAPPING SCREW ST4.2x16	6	ST4.2x16
23	8030-040800-00001	NUT CLIP M6	12	M6
24	30006-060016810	BOLT M6x16	12	M6x16
25	30121-060016700	SCREW M6x16	4	M6x16
26	30121-080025700	SCREW M8x25	4	M8x25
27	5BY0-3710A0	LH SIDE DOOR ASSY	1	
28	5BY0-3720A0	RH SIDE DOOR ASSY	1	
29	30006-080016870	BOLT	8	
30	30110-420160070	SELF-TAPPING SCREW	20	

ZFORCE 950 H.O. Sport

ZFORCE 950 H.O. EX

ZFORCE 1000 Sport R

CF1000SU-E/CF1000SZ-E/CF1000SU-D/CF1000SZ-D

使用说明书

请仔细阅读本手册

此手册包含重要的安全信息

18周岁以下禁止驾驶本车,

12周岁以下禁止乘坐

F38-A OWNER'S MANUAL(CHINESE)

Item No.	Parts Number	Parts Name(EN)	Qty	Specification
01	5BYV-380101-A300-11	OWNERS MANUAL	1	

ZFORCE 950 H.O. Sport ZFORCE 950 H.O. EX ZFORCE 1000 Sport R

Owner's Manual

READ THIS
MANUAL
CAREFULLY

It contains important
safety information

This ROV should not be operated by
anyone under 16 years of age.
Passengers under 12 years of age are prohibited.

F38-B OWNER'S MANUAL (NA&INTERNATIONAL)

Item No.	Parts Number	Parts Name(EN)	Qty	Specification
01	5BYV-380101-A100-13	OWNERS MANUAL	1	



ZFORCE 1000 SPORT R EPS

(тип CF1000SU-D)

Руководство пользователя
4x4



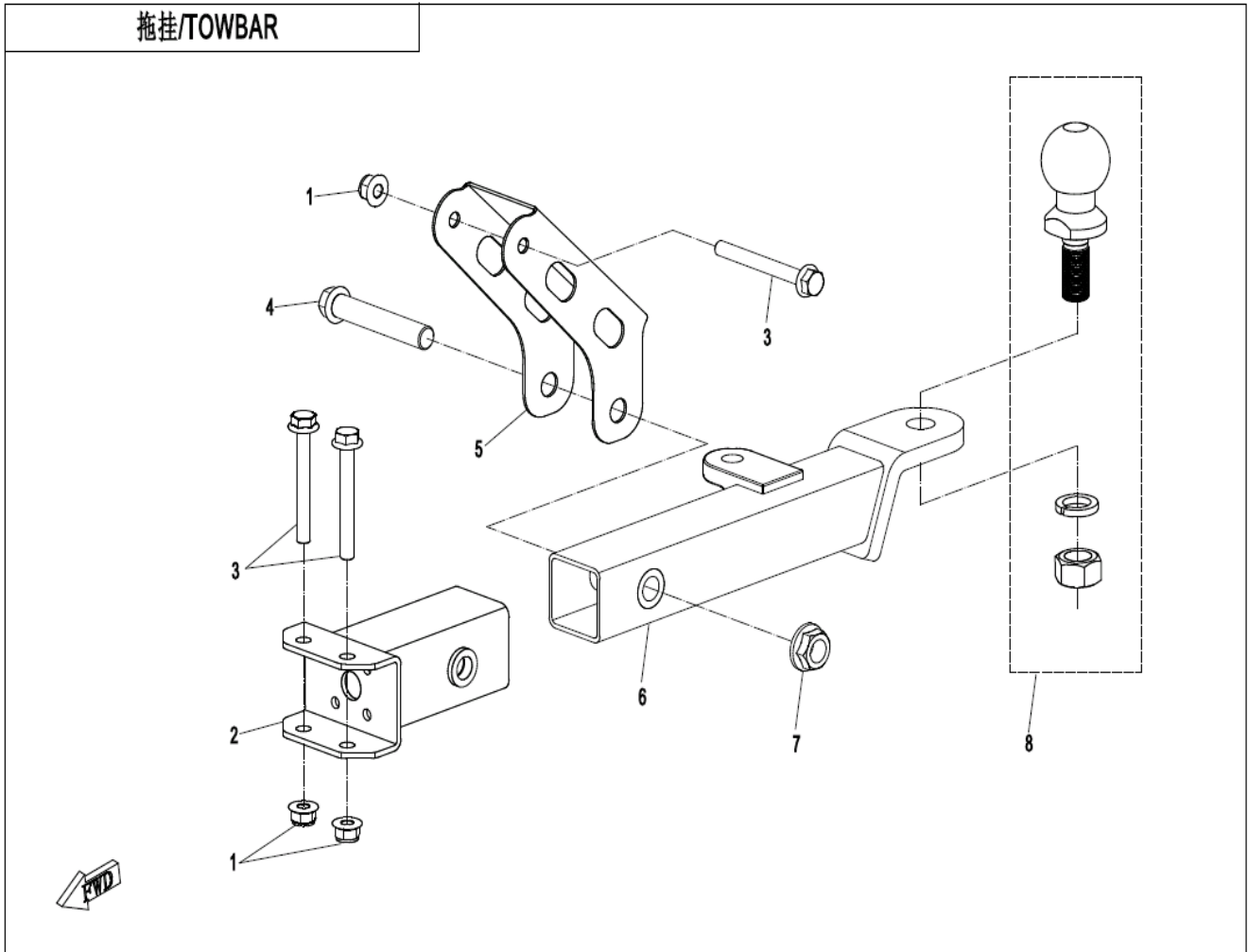
К эксплуатации мотовездехода
не допускаются лица моложе 16 лет.
Запрещается перевозка пассажиров
моложе 12 лет.

ВНИМАТЕЛЬНО ПРОЧТИТЕ ЭТО РУКОВОДСТВО!
В нем содержится важная информация
по технике безопасности

F38-C OWNER'S MANUAL (RUSSIAN)

Item No.	Parts Number	Parts Name(EN)	Qty	Specification
01	5BYV-380101-A300-14	OWNERS MANUAL	1	

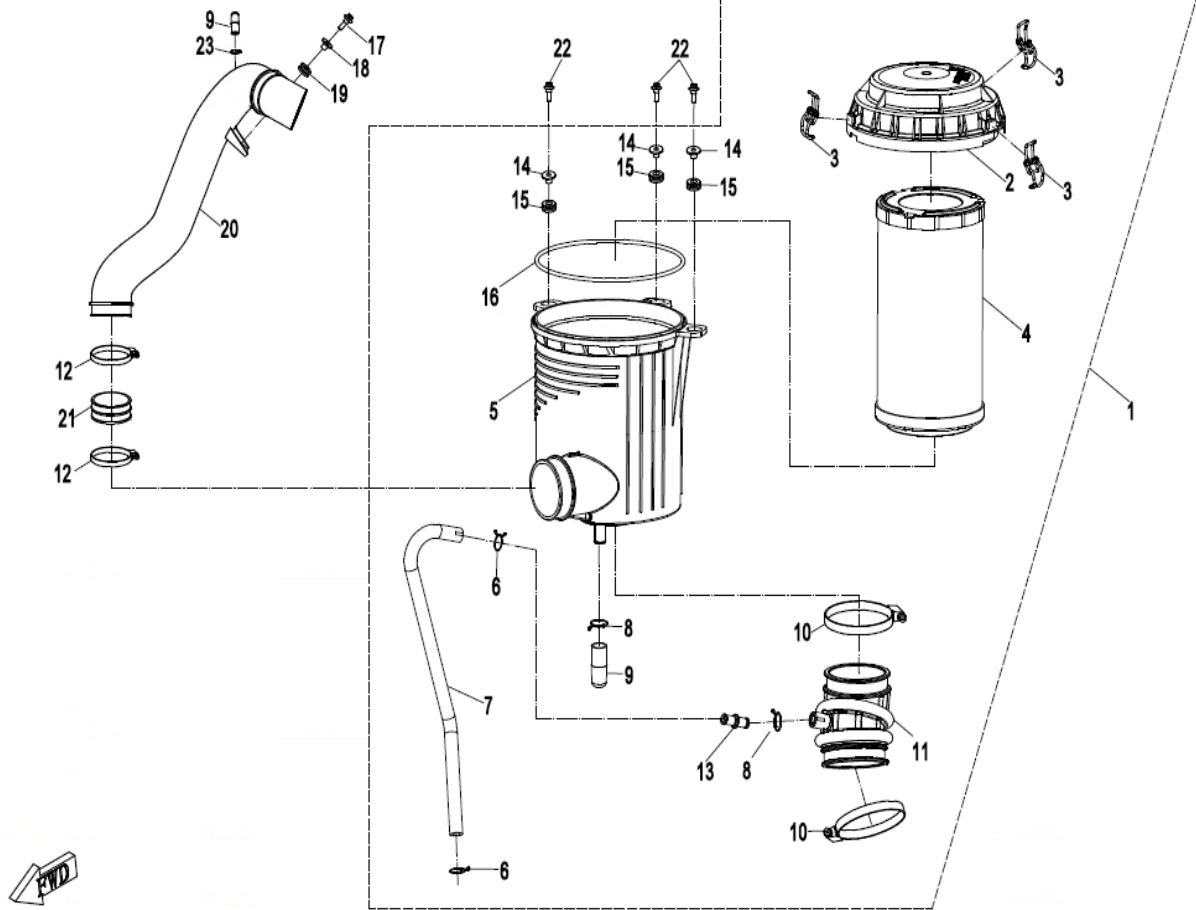
拖挂/TOWBAR



F40 TOWBAR (BOLT CONNECTION)

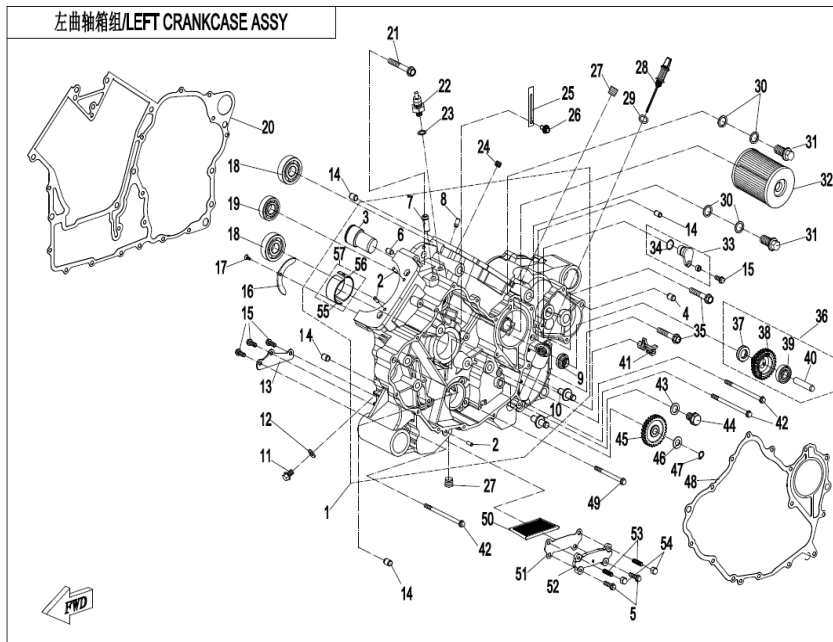
Item No.	Parts Number	Parts Name(EN)	Qty	Specification
01	30204-102810	NUT M10x1.25	3	M10x1.25
02	5BY0-401100-10000	TRAILER BRACKET ASSY	1	
03	30006-102035810	BOLT M10x1.25x35	3	M10x1.25x35
04	5BW1-401106	BOLT, TOWING	1	
05	5BY0-401201	STRENGTHENING PLATE, TOWING	1	
06	7000-400120	TUBE, TRAILER	1	
07	30218-163860	NUT M16x1.5	1	M16x1.5
08	9010-204000	TOWING HITCHBALL ASSY	1	1and 7/8"
08	5BW1-401310-10000	TOWING HITCHBALL	1	50MM

空滤器组/AIR FILTER ASSY



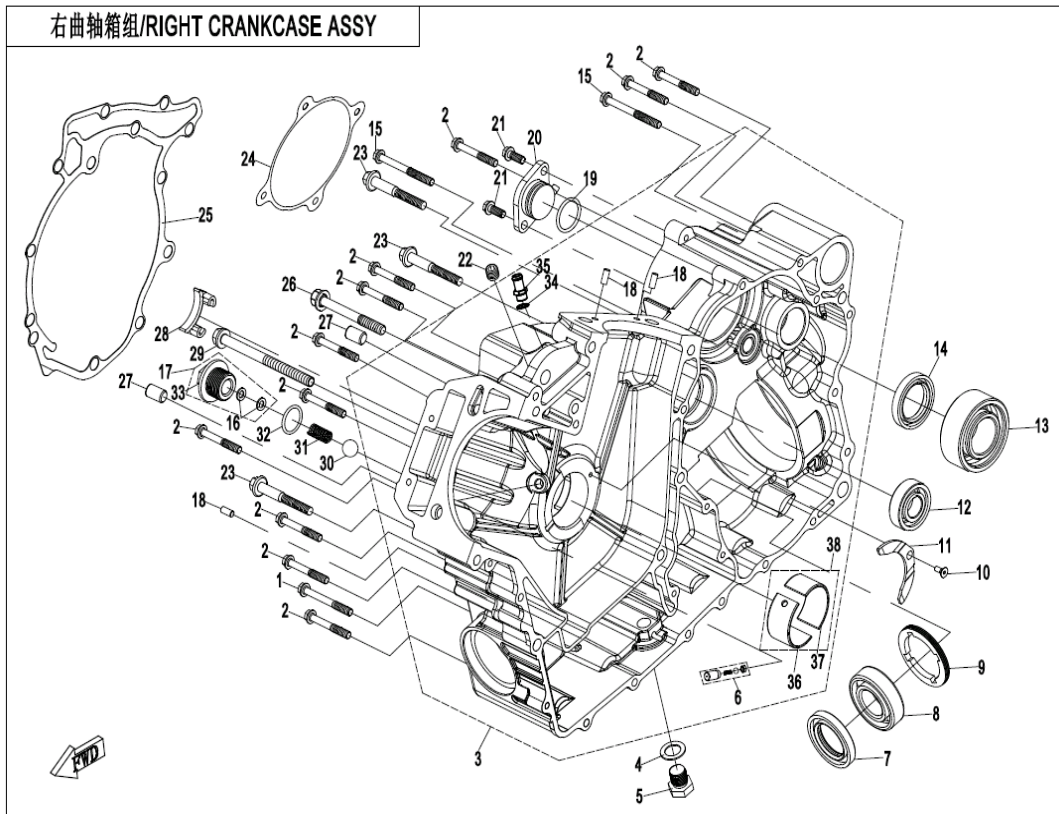
F41 AIR FILTER ASSY

Item No.	Parts Number	Parts Name(EN)	Qty	Specification
01	OJYV-110000-4000	AIR FILTER ASSY	1	
02	OJYA-110001-30000	AIR FILTER COVER	1	
03	OJYA-111000-30000	STEEL BUCKLE	3	
04	OJYA-112000-30001	FILTER ELEMENT, AIR FILTER	1	
05	OJYV-110000-4000-20	AIL FILTER HOUSING	1	
06	30601-114010	CLAMP A14	2	A14
07	OJYV-110000-4000-22	BREATHER HOSE	1	
08	30601-116020	CLAMP A16	2	A16
09	0180-110005	OIL STORAGE HOSE	2	
10	9030-000109	SCREW CLAMP, A-TYPE	2	70~90
11	OJYV-110000-4000-21	AIR OUTLET PIPE, AIR FILTER	1	
12	30604-380000	CLAMP	2	
13	OJYV-110000-4000-23	CONNECTING HOSE	1	
14	9010-120007	REAR CUSHION SLEEVE, FUEL TANK	3	
15	9010-120310	RUBBER LINER, FUEL TANK	3	
16	OJYA-110006-30000	SEAL RING, AIR FILTER	1	
17	30006-060020810	BOLT M6x20	1	M6x20
18	6090-040303		1	
19	6090-040302	RUBBER DAMPER	1	
20	5BY0-000205	AIR INTAKE PIPE, AIR FILTER	1	
21	5HY0-260302	CONNECTOR, AIR INLET PIPE	1	
22	30006-060035810	BOLT M6x35	3	M6x35
23	30601-117010	CLAMP A17	1	A17



E01-1 LEFT CRANKCASE ASSY

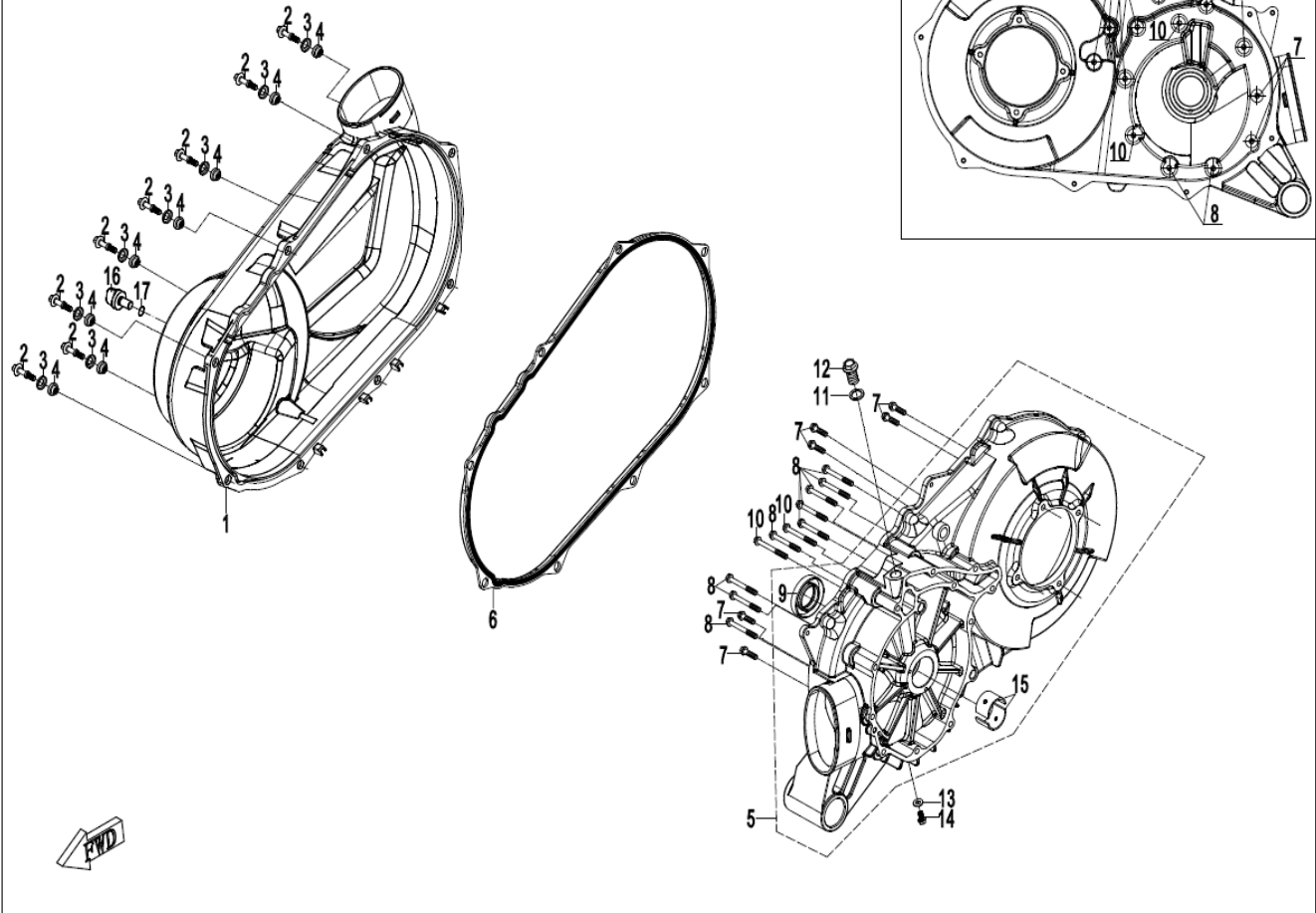
Item No.	Parts Number	Parts Name(EN)	Qty	Specification
01	OJWA-011100-20001	LH CRANKCASE ASSY	1	
01	OJWA-0111A1	LH CRANKCASE ASSY	1	
02	30406-00500	ROLLER NEEDLE P5x11.8	3	P5x11.8
03	OJWA-060001-10000	GEARSHAFT, REVERSE	1	
04	0010-080008		1	Dia 8x14
05	0010-080013-0010	BOLT M6x22	2	M6x22
06	0700-022018	SOLID PIN 8x14	1	8x14
07	0010-013006-0010		1	
08	0800-011400	NOZZLE VALVE ASSY	1	
09	0800-011105	SEAT, BREATHER	1	
10	0800-011104	IDLE GEAR SHAFT, BREATHER	2	
11	0180-332002-0010	BOLT M8x12.5, FLANGE	1	M8x12.5
12	0010-023305	WASHER 8.5	1	8.5
13	OJWA-011008		1	
14	0010-021005	DOWEL PIN 10x14	4	10x14
15	0010-090005-0010	BOLT M6x16	4	M6x16
16	0800-011003	THRUST WASHER, CRANKCASE	1	
17	30122-040010850	SCREW M4x10	1	M4x10
18	30499-01700		2	17
19	30400-01704		1	17
20	OJWA-011001-10000	GASKET, CRANKCASE	1	
20	OJWA-011001-20000	GASKET, CRANKCASE	1	
20	OJWA-011001-30000	GASKET, CRANKCASE	1	
21	0130-011109-0010	BOLT M8x60	1	M8x60
22	0800-012400	OIL PRESSURE SWITCH	1	
23	0010-060010	WASHER 10	1	10
24	0800-011013-00001	RESTRICTION PLUG	1	
25	0180-014010	WIRE CLAMP	1	
26	0010-021019-0010	BOLT M6x12	1	M6x12
27	0800-011006-00001	SCREW PLUG	2	
28	OJYA-014004	OIL DIPSTICK	1	
29	0110-013030	O-SEAL RING 18x3.55	1	18x3.55
30	0180-011006	GASKET 14	4	14
31	0180-011007-0010	BOLT M14x1.5x32	2	M14x1.5x32
32	0800-011300-0004	OIL FILTER ELEMENT	1	
33	0130-011400	PLUG, SEAL	1	
34	0130-011303	O-SEAL RING 14x1.4	1	
35	0040-012006-0010	BOLT M8x50	2	M8x50
36	0800-011200	BREATHER ASSY	1	
37	0800-011203		1	15x26x6
38	0800-011201		1	
39	30400-01003	BEARING	1	10
40	0800-011202	SHAFT, BREATHER	1	
41	0800-011007	CHAIN GUARD	1	
42	0030-011006-0010	BOLT M6x105	1	M6x105
43	0010-021014		1	12
44	0180-011500	DRAIN BOLT, MAGNETIC M12X1.5	1	M12x1.5
45	0800-011004		1	
46	0800-011005	WASHER 10	1	10
47	30801-01005		1	10
48	OJWA-011004-30000	GASKET, LH CRANKCASE COVER	1	
49	0A70-011005-00001	BOLT M6x75	2	
50	OJWA-011009	OIL STRAINER	1	
51	OJWA-011003-10000	OUTER GASKET, STRAINER	1	
52	OJWA-011002		1	
53	30017-060022110	BOLT	2	
54	30212-060810	CAP-SHAPE BOLT M6	2	M6
55	0800-011102-00021	PLAIN BEARING 1	1	BLUE@THICK
55	0800-011102-00011	PLAIN BEARING 1	1	RED@THIN
56	0800-011103-00021	PLAIN BEARING 2	1	BLUE@THICK
56	0800-011103-00011	PLAIN BEARING 2	1	RED@THIN
57	0800-0111B0-00001	PLAIN BEARING KIT, MAIN SHAFT	1	BLUE
57	0800-0111A0-00001	PLAIN BEARING KIT, MAIN SHAFT	1	RED



E01-2 RIGHT CRANKCASE ASSY

Item No.	Parts Number	Parts Name(EN)	Qty	Specification
01	0010-021018-0010	BOLT M6x55	1	M6x55
02	0180-013208-0010	BOLT M6x45	11	M6x45
03	OJWA-012100-20004	RH CRANKCASE ASSY	1	
03	OJWA-0121A1	RH CRANKCASE ASSY	1	
04	OJWA-012003		1	14.1x22x1
05	OJWA-012200	OIL DRAIN BOLT M14x1.5	1	M14x1.5
06	0800-011400	NOZZLE VALVE ASSY	1	
07	0010-011002		1	25x40x8
08	30400-02501	BEARING	1	25
09	OJWA-012004		1	
10	30122-040010850	SCREW M4x10	1	M4x10
11	0800-011003	THRUST WASHER, CRANKCASE	1	
12	30400-01704		1	17
13	30499-03000	BEARING	1	5206
14	0180-012006-00001		1	
15	0A70-011005-00001	BOLT M6x75	2	
16	30304-050440	WASHER	2	
17	0GRO-0140A0	SCREW PLUG,RELIEF VALVE ASSY	1	
18	30406-00500	ROLLER NEEDLE P5x11.8	3	P5x11.8
19	0180-023002	O-SEAL RING 24x2.5	1	24x2.5
20	0800-012200-20000	GEAR SENSOR	1	KAIDI PLUG
21	0010-090005-0010	BOLT M6x16	2	M6x16
22	01A0-012010-00001	SCREW	1	
23	0130-011109-0010	BOLT M8x60	3	M8x60
24	OJWA-012002	GASKET 2, CVT CASE	1	
25	OJWA-012001	GASKET 1, CVT CASE	1	
26	0700-012003-00002	BOLT	1	
27	0010-021005	DOWEL PIN 10x14	2	10x14
28	0800-011007	CHAIN GUARD	1	
29	0130-011115-00001	BOLT	1	
30	3120015	STEEL BALL	1	
31	0700-012603-1000	SPRING, RELIEF VALVE	1	
32	0180-332004	O-SEAL RING 19x2.5	1	19x2.5
33	0GRO-014003	SCREW PLUG, RELIEF VALVE	1	
34	0010-011008		1	15.8x2.4
35	OJWA-080009-00001		1	
36	0800-011102-00021	PLAIN BEARING 1	1	BLUE@THICK
36	0800-011102-00011	PLAIN BEARING 1	1	RED@THIN
37	0800-011103-00021	PLAIN BEARING 2	1	BLUE@THICK
37	0800-011103-00011	PLAIN BEARING 2	1	RED@THIN
38	0800-0111A0-00001	PLAIN BEARING KIT, MAIN SHAFT	1	RED
38	0800-0111B0-00001	PLAIN BEARING KIT, MAIN SHAFT	1	BLUE

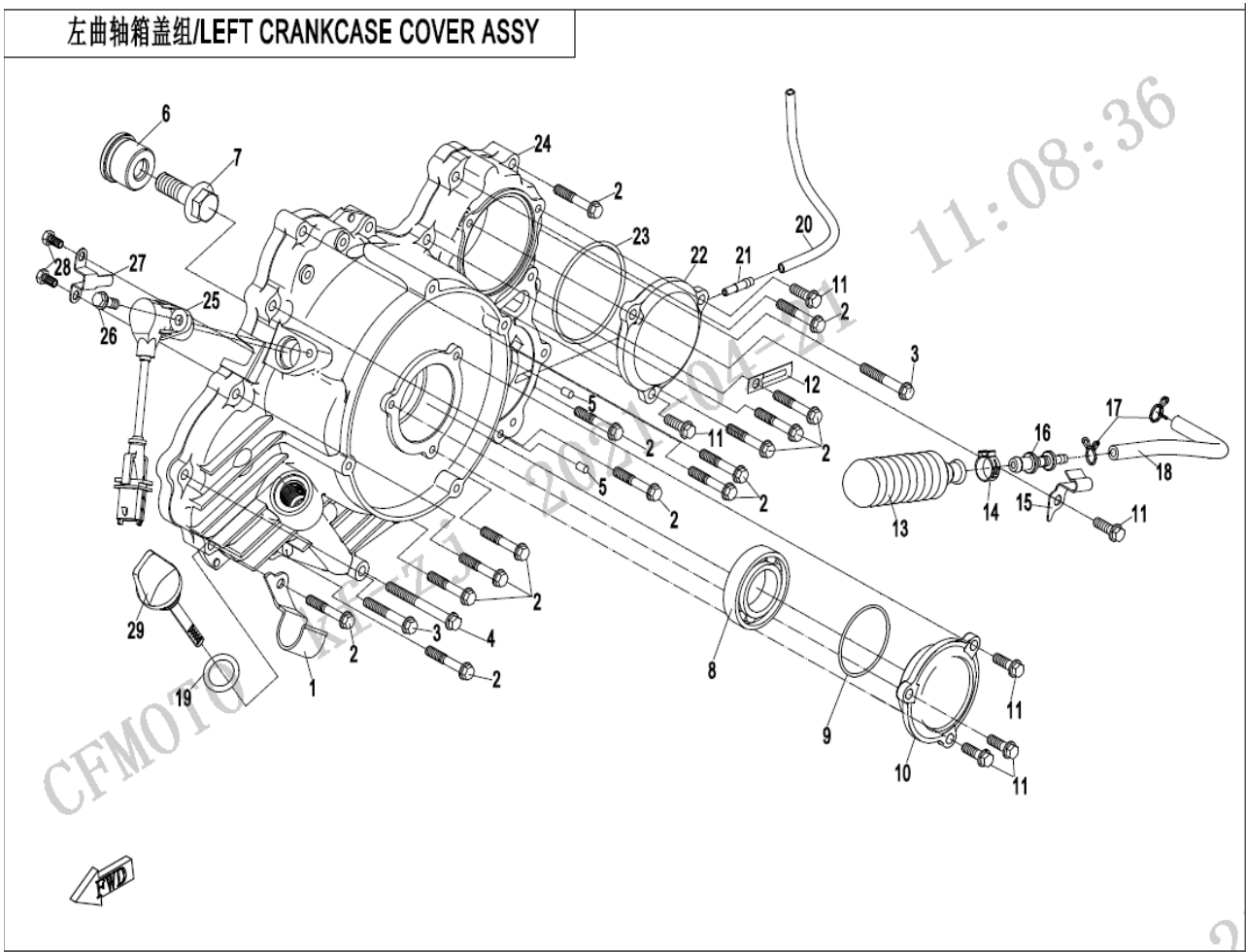
CVT箱组/CVT CASE ASSY



E01-3 CVT CASE ASSY

Item No.	Parts Number	Parts Name(EN)	Qty	Specification
1	OJWV-013201-6000	CVT COVER	1	
2	OJY0-013201-00002	BOLT, CVT CASE COVER	8	
2	OJY0-013201-00003	BOLT, CVT CASE COVER	8	
3	0800-021103	CAP, RUBBER WASHER	8	
4	0800-021102	RUBBER WASHER	8	
5	OJWB-0131A0	CVT CASE	1	
6	OJWV-013002-6000	GASKET, CVT COVER	1	
7	0010-080013-0010	BOLT M6x22	6	M6x22
8	0010-013010-0010	BOLT M6x50	9	M6x50
9	OJY0-013103	OIL SEAL 32X55X10	1	32X55X10
10	0010-021018-0010	BOLT M6x55	2	M6x55
11	0180-011006	GASKET 14	1	14
12	0180-068001-00100	HOLLOW BOLT M14x1.5	1	M14x1.5
13	0010-060009		1	6
14	0010-021019-0010	BOLT M6x12	1	M6x12
15	OJY0-013102-00011	PLAIN BEARING, CVT	2	RED
15	OJY0-013102-00021	PLAIN BEARING, CVT	2	BLUE
16	OJWV-013202-6000	DRAIN BOLT	1	
17	0700-012701		1	10x2

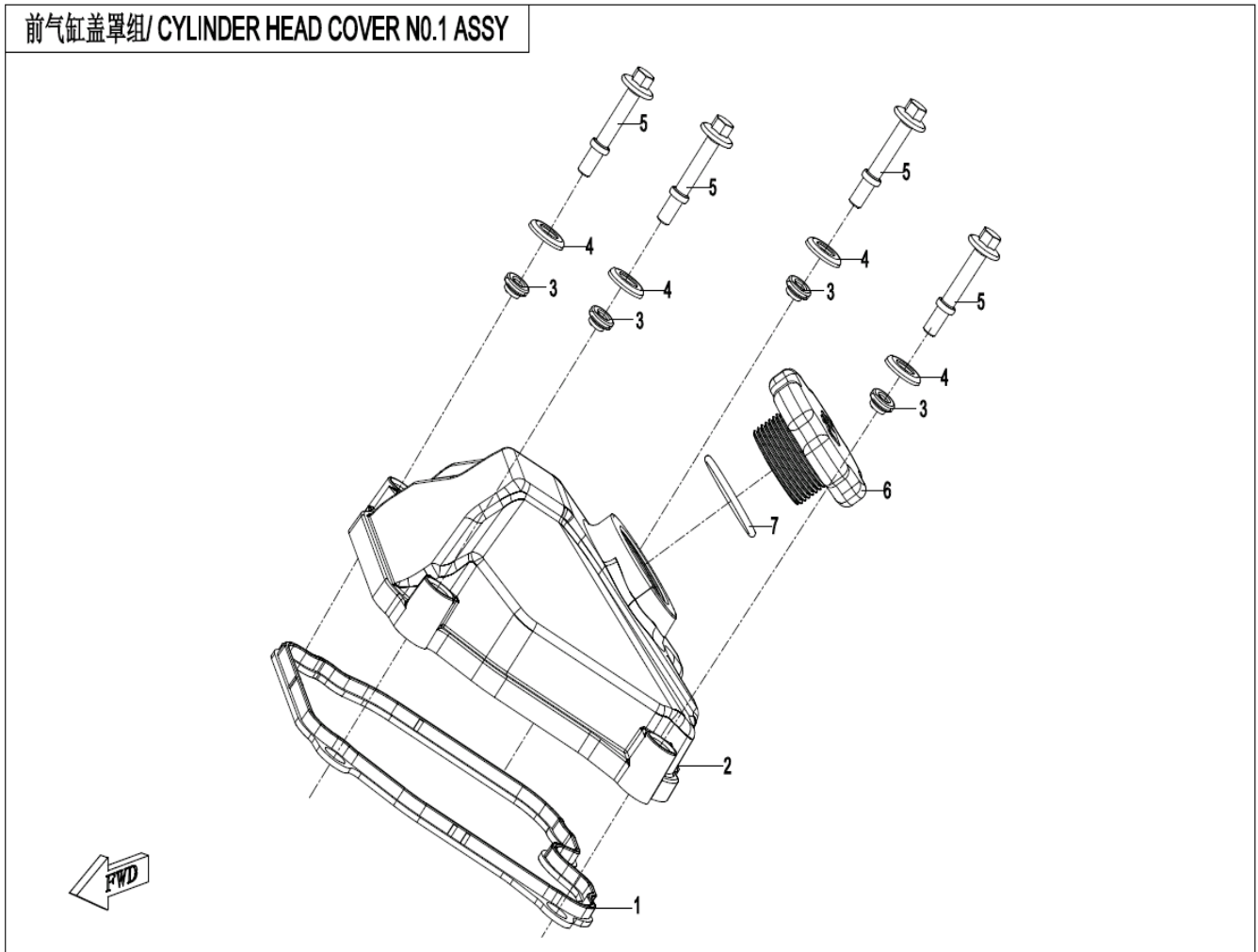
左曲轴箱盖组/LEFT CRANKCASE COVER ASSY



E01-4 LEFT CRANKCASE COVER ASSY

Item No.	Parts Number	Parts Name(EN)	Qty	Specification
01	OJWA-014007		1	
02	0010-013008-0010	BOLT M6x35	14	M6x35
03	0010-013009-0010	BOLT M6x40	2	M6x40
04	0010-011017-0010	BOLT M6x60	1	M6x60
05	30406-00500	ROLLER NEEDLE P5x11.8	2	P5x11.8
06	0800-014008	SLEEVE, TIGHTENING	1	
07	0800-014009-00002	BOLT	1	
08	30400-02800	BEARING	1	
09	OGRA-014003	O-SEAL RING 48x2.5	1	
10	0800-014011-10000	PLUG	1	
11	0010-023008-00001	BOLT	6	
12	0180-014010	WIRE CLAMP	1	
13	OJWA-014403	AIR BAG	1	
14	6070-120400		1	Dia14.5
15	OJWA-014401	SUPPORTER, AIR BAG	1	
15	OJWA-014401-10000	SUPPORTER, AIR BAG	1	
16	OJWA-014402	JOINT,AIR BAG	1	
17	30601-108010	CLAMP A8	2	A8
18	OJWA-014404	BREATHER HOSE, AIR BAG	1	
19	0110-013030	O-SEAL RING 18x3.55	1	18x3.55
20	0180-080003-10000	HOSE, OVERFILLING	1	
21	0180-311004-0020	JOINT, BREATHER HOSE	1	
22	0800-014002-00001	FILTER COVER	1	
23	0800-014003	O-SEAL RING 63x2.5	1	63x2.5
24	OJWA-014001-10001	IGNITION COVER	1	
25	0800-014100-20000	RPM SENSOR	1	KAIDI PLUG
26	0010-090005-0010	BOLT M6x16	1	M6x16
27	OJWA-014003-10000		1	
28	0180-014004-00001	BOLT, LEAD HOLDER	2	
29	OJWA-014004	DIPSTICK,OIL	1	

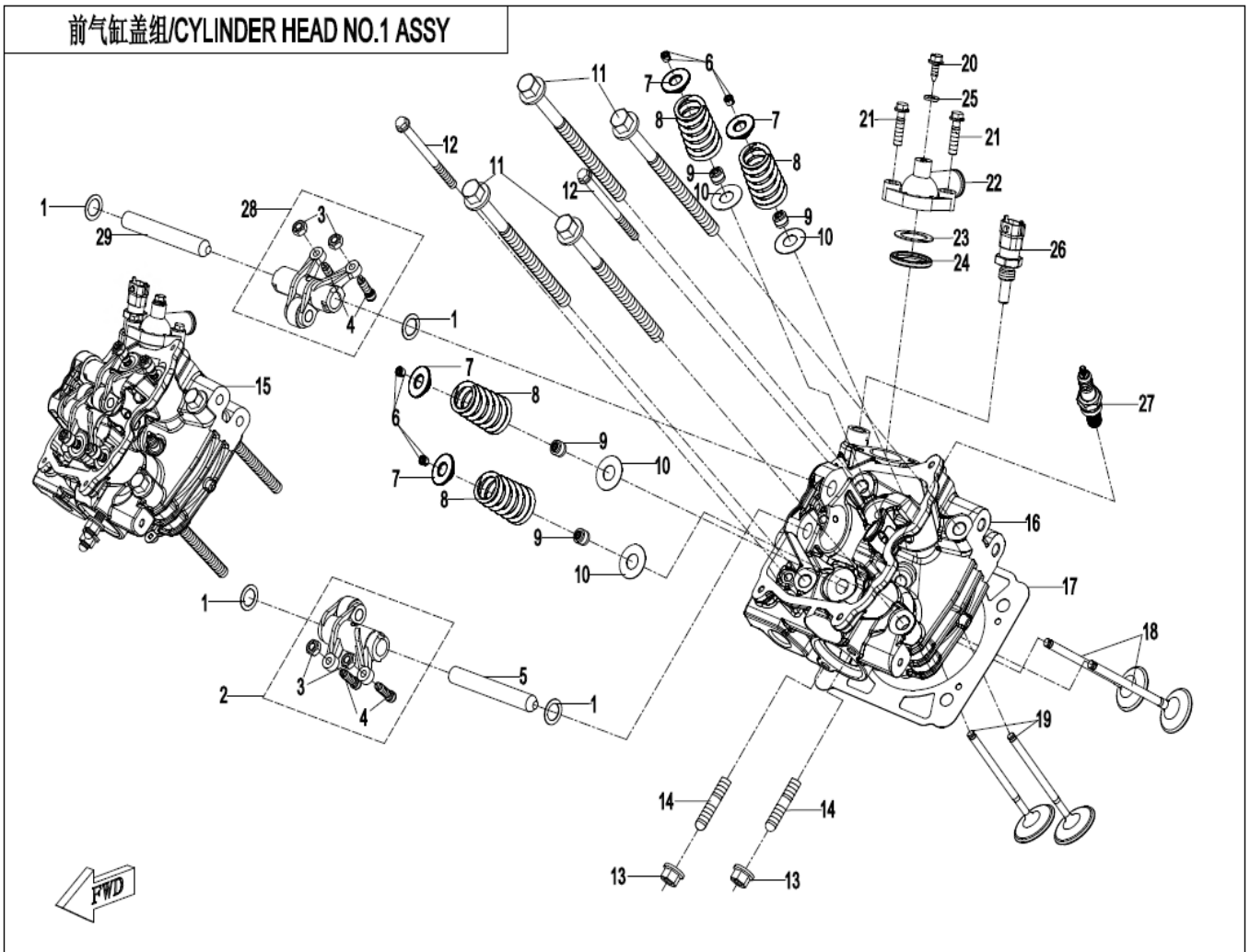
前气缸盖罩组/ CYLINDER HEAD COVER NO.1 ASSY



E02-1 CYLINDER HEAD COVER NO.1 ASSY

Item No.	Parts Number	Parts Name(EN)	Qty	Specification
1	0800-021002-00001	SEAL RING, CYLINDER HEAD COVER	1	
2	0JYV-021001-4000-20	CYLINDER HEAD COVER	1	
3	0800-021102-10000	RUBBER WASHER	4	
4	0800-021103	CAP, RUBBER WASHER	4	
5	0800-021101-10001	BOLT, CYLINDER HEAD COVER	4	
6	0JYV-021003-4000	FILLER CAP	1	
7	01A0-012003	O-SEAL RING 35x3.5	1	35x3.5

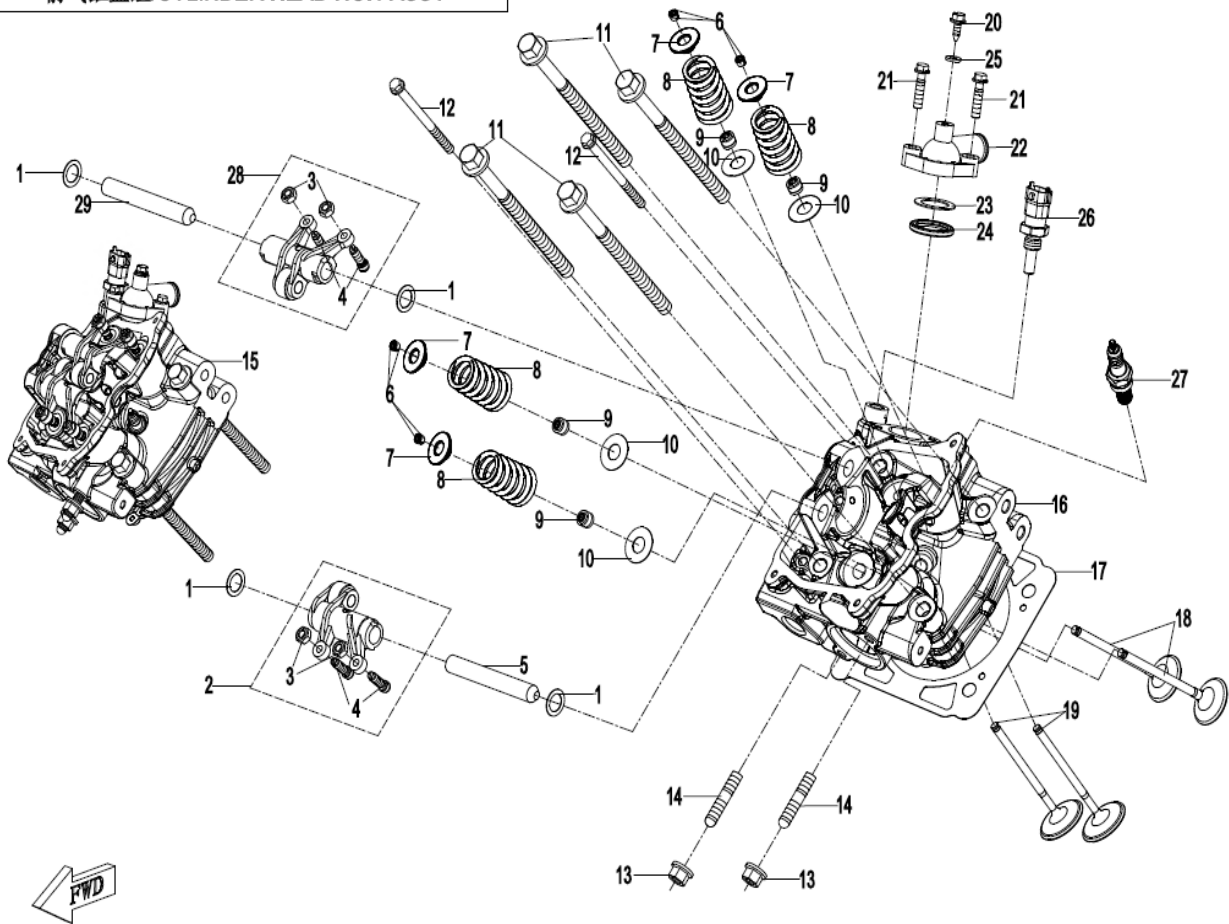
前气缸盖组/CYLINDER HEAD NO.1 ASSY



E02-2-V1 CYLINDER HEAD NO.1 ASSY

Item No.	Parts Number	Parts Name(EN)	Qty	Specification
1	0800-022002	WASHER 12.3x18.5x0.5	4	12.3x18.5x0.5
2	0800-022600-20000	ROCKER ARM ASSY, AIR EXHAUST	1	
3	0800-022506	ADJUST NUT, VALVE CLEARANCE	4	
4	0800-022510	ADJUST SCREW, VALVE CLEARANCE	4	
5	0800-022001	ROCKER ARM SHAFT	2	
6	OJYV-022016-4000	LOCK CLIP, VALVE	8	
7	OJYV-022007-4000	UPPER SEAT, VALVE SPRING	4	
8	OJYV-022006-4000	VALVE SPRING	4	
9	OJYV-022300-4000	OIL SEAL, VALVE	4	
10	OJYV-022008-4000	LOWER SEAT, VALVE SPRING	4	
11	OJYO-022003-00001	BOLT, CYLINDER	4	
12	0060-013021-00002	BOLT M6x85	2	M6x85
13	0010-011700-0010	FLANGE NUT M8	2	M8
14	0180-022003-00001	STUD M8x42	2	
15	OJYD-0220A0	CYLINDER HEAD ASSY, FIRST CYLINDER	1	
16	OJYV-022100-4000	CYLINDER HEAD ASSY	1	
17	0800-022200-00002	GASKET, CYLINDER HEAD	1	
18	OJYV-022005-4000	EXHAUST VALVE	2	
19	OJYV-022004-4000	INTAKE VALVE	2	
20	30132-550160030	SCREW ST5.5x16	1	ST5.5x16
21	0010-021017-0010	BOLT M6x25	2	M6x25
22	0800-022013-10000	THERMOSTAT CAP	1	
23	0800-026002	WASHER 20.5x30x0.8	1	20.5x30x0.8
24	0010-022802	SEAL RING	1	
25	0800-022011	WASHER 5.3x11x1.5	1	5.3x11x1.5
26	018B-022810	WATER TEMPERATURE SENSOR	1	
27	OJWD-170200-7000	SPARK PLUG KIT	1	
28	OJYV-022500-4001	SWING ARM, INTAKE	1	

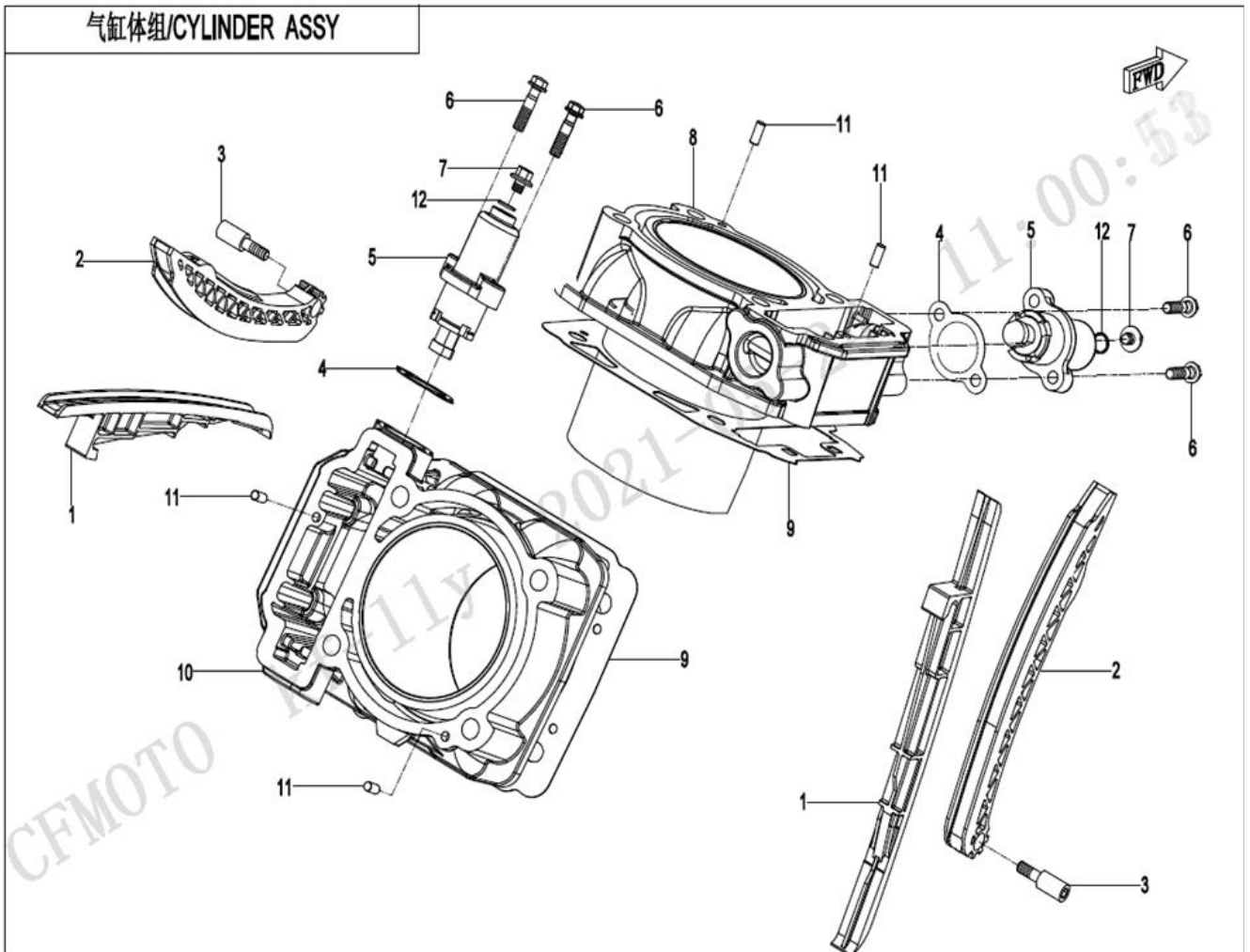
前气缸盖组/CYLINDER HEAD NO.1 ASSY



E02-2-V2 CYLINDER HEAD NO.1 ASSY

Item No.	Parts Number	Parts Name(EN)	Qty	Specification
1	0800-022002	WASHER 12.3x18.5x0.5	4	12.3x18.5x0.5
2	0800-022600-20000	ROCKER ARM ASSY, AIR EXHAUST	1	
3	0800-022506	ADJUST NUT, VALVE CLEARANCE	4	
4	0800-022510	ADJUST SCREW, VALVE CLEARANCE	4	
5	0800-022001	ROCKER ARM SHAFT	2	
6	OJYV-022016-4000	LOCK CLIP, VALVE	8	
7	OJYV-022007-4000	UPPER SEAT, VALVE SPRING	4	
8	OJYV-022006-4000	VALVE SPRING	4	
9	OJYV-022300-4000	OIL SEAL, VALVE	4	
10	OJYV-022008-4000	LOWER SEAT, VALVE SPRING	4	
11	OJY0-022003-00001	BOLT, CYLINDER	4	
12	0060-013021-00002	BOLT M6x85	2	M6x85
13	0010-011700-0010	FLANGE NUT M8	2	M8
14	0180-022003-00001	STUD M8x42	2	
15	OJYD-0220A0	CYLINDER HEAD ASSY, FIRST CYLINDER	1	
16	OJYV-022100-4000	CYLINDER HEAD ASSY	1	
17	0800-022200-00002	GASKET, CYLINDER HEAD	1	
18	OJYV-022005-4000	EXHAUST VALVE	2	
19	OJYV-022004-4000	INTAKE VALVE	2	
20	30132-550160030	SCREW ST5.5x16	1	ST5.5x16
21	0010-021017-0010	BOLT M6x25	2	M6x25
22	0800-022013-10000	THERMOSTAT CAP	1	
23	0800-026002	WASHER 20.5x30x0.8	1	20.5x30x0.8
24	0010-022802	SEAL RING	1	
25	0800-022011	WASHER 5.3x11x1.5	1	5.3x11x1.5
26	018B-022810	WATER TEMPERATURE SENSOR	1	
27	OJWD-170200-7000	SPARK PLUG KIT	1	
28	OJYV-022500-4001	SWING ARM, INTAKE	1	
29	OJYV-022001-4000	SWING ARM SHAFT	2	

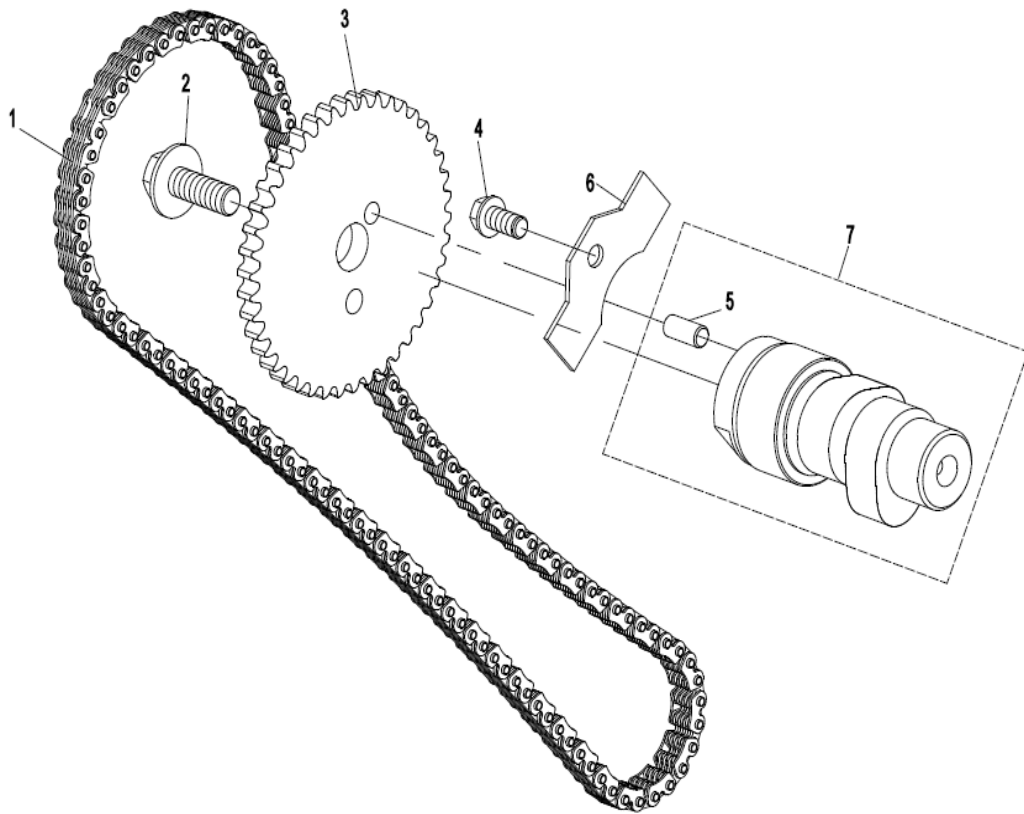
气缸体组/CYLINDER ASSY



E02-3 CYLINDER ASSY

Item No.	Parts Number	Parts Name(EN)	Qty	Specification
01	OJY0-023004	GUIDE PLATE	2	
02	OJY0-023003	TENSION PLATE	2	
03	0800-023001-00002	SCREW, TENSIONER PLATE	2	
04	0180-023003	GASKET, TENSIONER	2	
05	0GS0-023200-00001	TENSIONER ASSY	2	
06	0010-021017-0010	BOLT M6x25	4	M6x25
07	OJYA-023001-00001	HEX FLANGE BOLT M6x6	2	
08	OJY0-023200-10011	SECOND CYLINDER BODY ASSY	1	MARK 1
08	OJY0-023200-10021	SECOND CYLINDER BODY ASSY	1	MARK 2
09	0800-023002	GASKET, CYLINDER	2	
09	0800-023002-00001	GASKET, CYLINDER	2	
10	OJY0-023100-10011	FIRST CYLINDER BODY ASSY	1	MARK 1
10	OJY0-023100-10021	FIRST CYLINDER BODY ASSY	1	MARK 2
11	30406-00500	ROLLER NEEDLE P5x11.8	4	P5x11.8
12	0700-011202		2	8.2x1.90

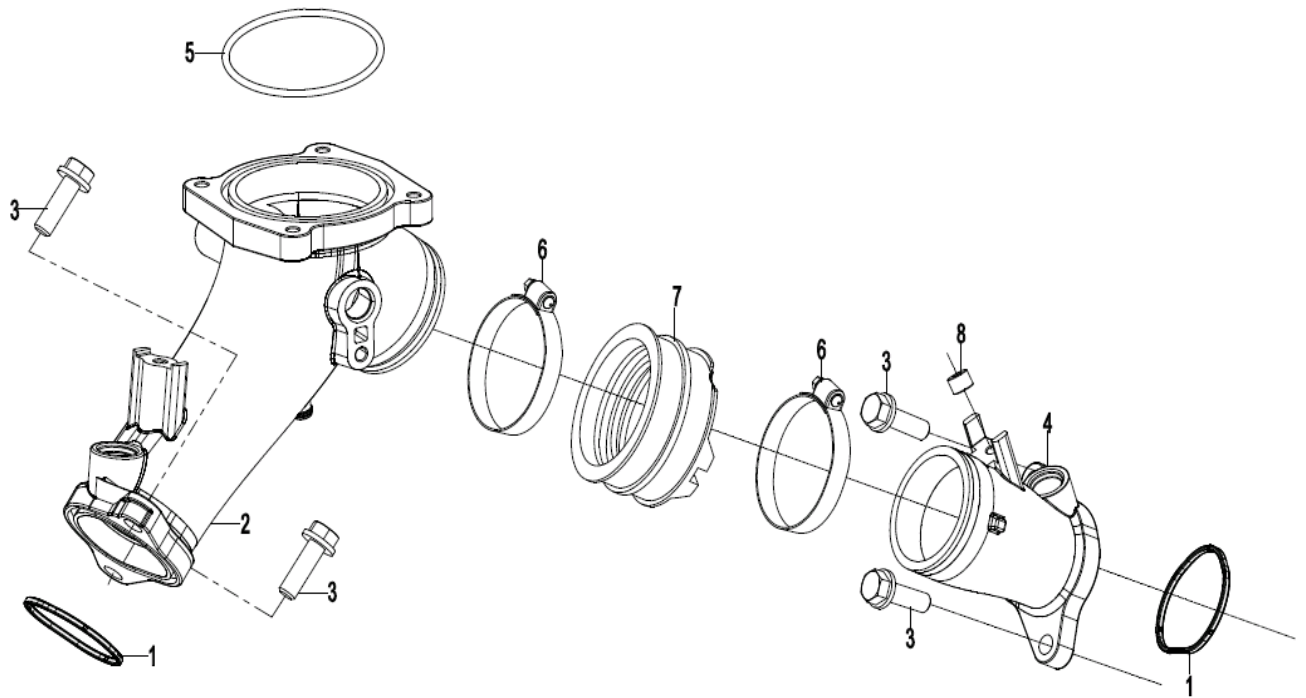
前缸凸轮轴组/CAMSHAFT OF CYLINDER 1 ASSY



E02-4 CAMSHAFT OF CYLINDER 1 ASSY

Item No.	Parts Number	Parts Name(EN)	Qty	Specification
1	0JY0-024100	TIMING CHAIN	1	
2	0800-024003-00002	BOLT, TIMING SPROCKET	1	
3	0800-024006	TIMING SPROCKET	1	
4	0010-021019-0010	BOLT M6x12	1	M6x12
5	0800-024002-00001	DOWEL PIN, SPROCKET	1	
6	0800-024004-10000	HOLDING STRIP, CAMSHAFT	1	
7	0JYV-024010-4000	CAMSHAFT, FIRST CYLINDER	1	

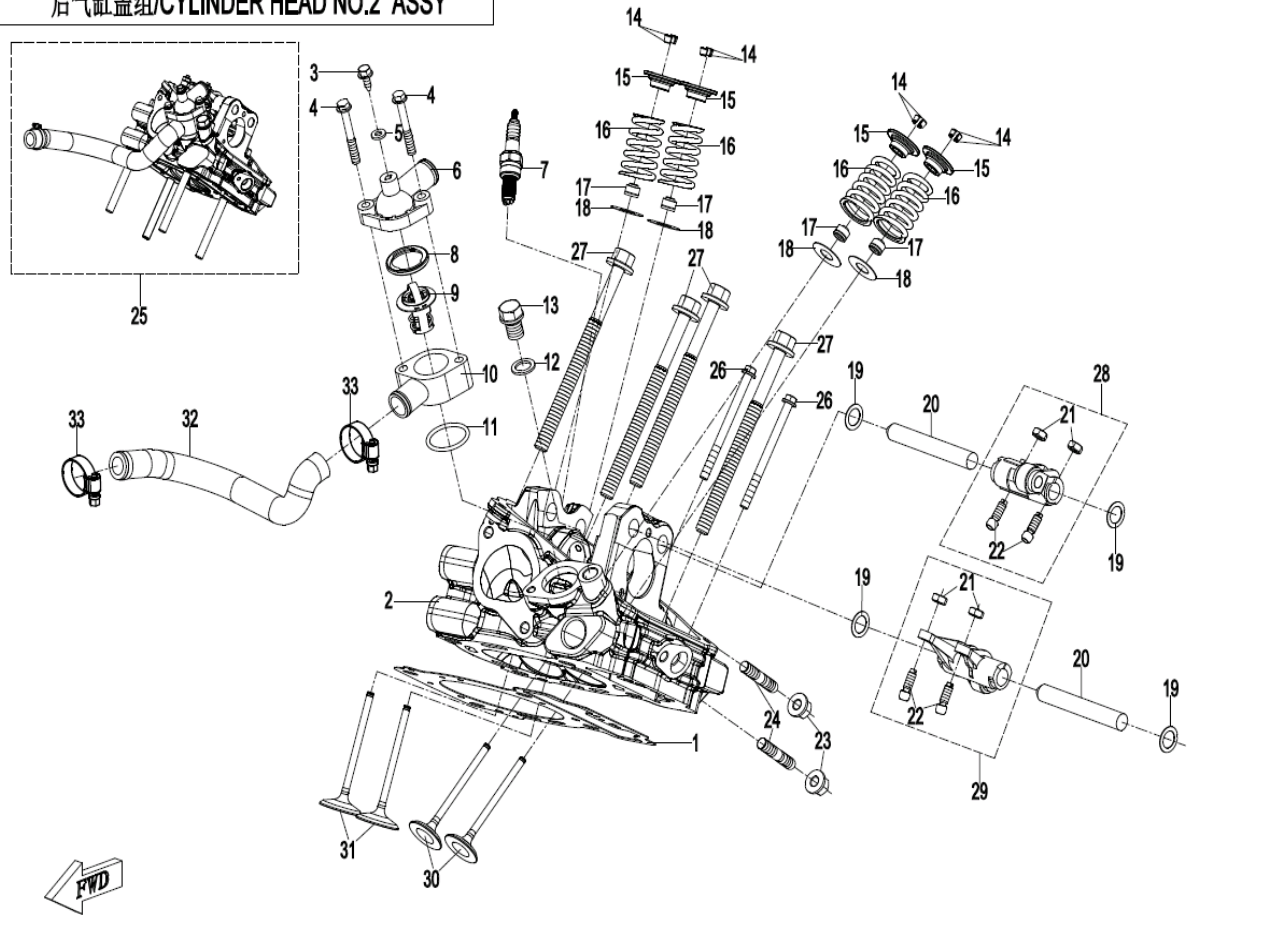
进气管组/INTAKE MANIFOLD ASSY



E02-5 INTAKE MANIFOLD ASSY

Item No.	Parts Number	Parts Name(EN)	Qty	Specification
1	080V-025002-1000	SEAL RING, MANIFOLD	2	
2	0JYV-025001-4000-10	MAIN AIR INLET PIPE	1	NO FUEL VAPORIZATION SYSTEM
3	0130-011114-00001	BOLT	4	
4	0JYV-025002-4000	SUB AIR INLET PIPE	1	
5	0180-331004	O-SEAL RING 64.5x3	1	64.5x3
6	0JYA-025010	CLAMP 54	2	
7	0JYV-025003-4000	JOINT HOSE, AIR INLET PIPE	1	
8	0JYA-025006	BUSHING 6.2x14x10	1	

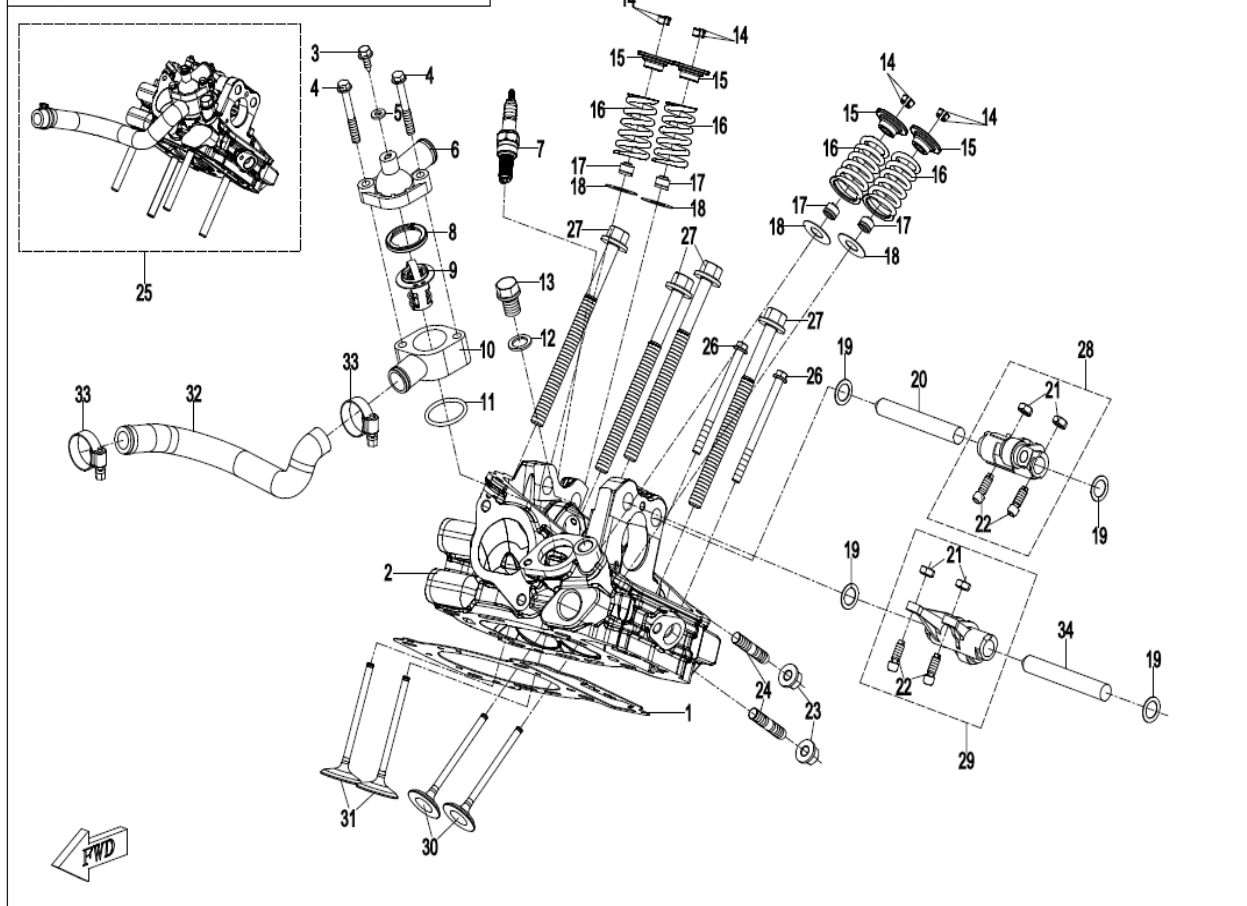
后气缸盖组/CYLINDER HEAD NO.2 ASSY



E02-6-V1 CYLINDER HEAD NO.2 ASSY

Item No.	Parts Number	Parts Name(EN)	Qty	Specification
1	0800-022200-00002	GASKET, CYLINDER HEAD	1	
2	0JYV-022100-4000	CYLINDER HEAD ASSY	1	
3	30132-550160030	SCREW ST5.5x16	1	ST5.5x16
4	0180-013208-0010	BOLT M6x45	1	M6x45
5	0800-022011	WASHER 5.3x11x1.5	1	5.3x11x1.5
6	0800-022013-10000	THERMOSTAT CAP	1	
7	0JWD-170200-7000	SPARK PLUG KIT	1	
8	0010-022802	SEAL RING	1	
9	0800-022700	THERMOSTAT	1	
10	0800-022012	SEAT, THERMOSTAT	1	
11	30502-028000N	O-RING	1	28x2.65
12	0800-022014	WASHER 12.2x18x1.5	1	12.2x18x1.5
13	0800-022015-00001	SCREW PLUG M12x1.5	1	
14	0JYV-022016-4000	LOCK CLIP, VALVE	8	
15	0JYV-022007-4000	UPPER SEAT, VALVE SPRING	4	
16	0JYV-022006-4000	VALVE SPRING	4	
17	0JYV-022300-4000	OIL SEAL, VALVE	4	
18	0JYV-022008-4000	LOWER SEAT, VALVE SPRING	4	
19	0800-022002	WASHER 12.3x18.5x0.5	4	12.3x18.5x0.5
20	0800-022001	ROCKER ARM SHAFT	2	
21	0800-022506	ADJUST NUT, VALVE CLEARANCE	4	
22	0800-022510	ADJUST SCREW, VALVE CLEARANCE	4	
23	0010-011700-0010	FLANGE NUT M8	2	M8
24	0180-022003-00001	STUD M8x42	2	
25	0JYD-0260A0	CYLINDER HEAD ASSY, SECOND CYLINDER	1	
26	0060-013021-00002	BOLT M6x85	2	M6x85
27	0JY0-022003-00001	BOLT, CYLINDER	4	
28	0800-022600-20000	ROCKER ARM ASSY, AIR EXHAUST	1	
29	0JYV-022500-4001	SWING ARM, INTAKE	1	
30	0JYV-022005-4000	EXHAUST VALVE	2	
31	0JYV-022004-4000	INTAKE VALVE	2	
32	0JYA-026001	CONNECTING PIPE, FRONT & REAR CYLINDER	1	
33	30603-125020	CLAMP D25	2	D25

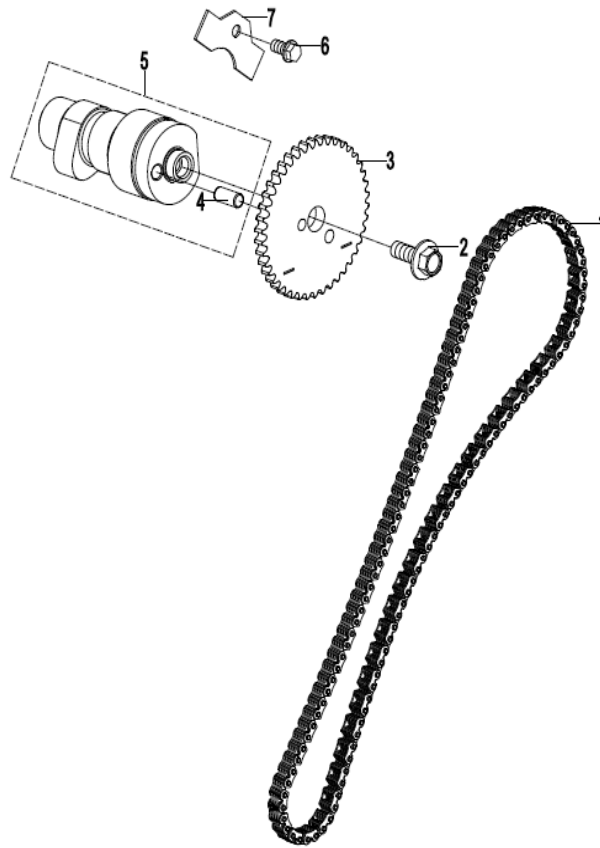
后气缸盖组/CYLINDER HEAD NO.2 ASSY



E02-6-V2 CYLINDER HEAD NO.2 ASSY

Item No.	Parts Number	Parts Name(EN)	Qty	Specification
1	0800-022200-00002	GASKET, CYLINDER HEAD	1	
2	0JYV-022100-4000	CYLINDER HEAD ASSY	1	
3	30132-550160030	SCREW ST5.5x16	1	ST5.5x16
4	0180-013208-0010	BOLT M6x45	1	M6x45
5	0800-022011	WASHER 5.3x11x1.5	1	5.3x11x1.5
6	0800-022013-10000	THERMOSTAT CAP	1	
7	0JWD-170200-7000	SPARK PLUG KIT	1	
8	0010-022802	SEAL RING	1	
9	0800-022700	THERMOSTAT	1	
10	0800-022012	SEAT, THERMOSTAT	1	
11	30502-028000N	O-RING	1	28x2.65
12	0800-022014	WASHER 12.2x18x1.5	1	12.2x18x1.5
13	0800-022015-00001	SCREW PLUG M12x1.5	1	
14	0JYV-022016-4000	LOCK CLIP, VALVE	8	
15	0JYV-022007-4000	UPPER SEAT, VALVE SPRING	4	
16	0JYV-022006-4000	VALVE SPRING	4	
17	0JYV-022300-4000	OIL SEAL, VALVE	4	
18	0JYV-022008-4000	LOWER SEAT, VALVE SPRING	4	
19	0800-022002	WASHER 12.3x18.5x0.5	4	12.3x18.5x0.5
20	0800-022001	ROCKER ARM SHAFT	2	
21	0800-022506	ADJUST NUT, VALVE CLEARANCE	4	
22	0800-022510	ADJUST SCREW, VALVE CLEARANCE	4	
23	0010-011700-0010	FLANGE NUT M8	2	M8
24	0180-022003-00001	STUD M8x42	2	
25	0JYD-0260A0	CYLINDER HEAD ASSY, SECOND CYLINDER	1	
26	0060-013021-00002	BOLT M6x85	2	M6x85
27	0JY0-022003-00001	BOLT, CYLINDER	4	
28	0800-022600-20000	ROCKER ARM ASSY, AIR EXHAUST	1	
29	0JYV-022500-4001	SWING ARM, INTAKE	1	
30	0JYV-022005-4000	EXHAUST VALVE	2	
31	0JYV-022004-4000	INTAKE VALVE	2	
32	0JYA-026001	CONNECTING PIPE, FRONT & REAR CYLINDER	1	
33	30603-125020	CLAMP D25	2	D25
34	0JYV-022001-4000	SWING ARM SHAFT	2	

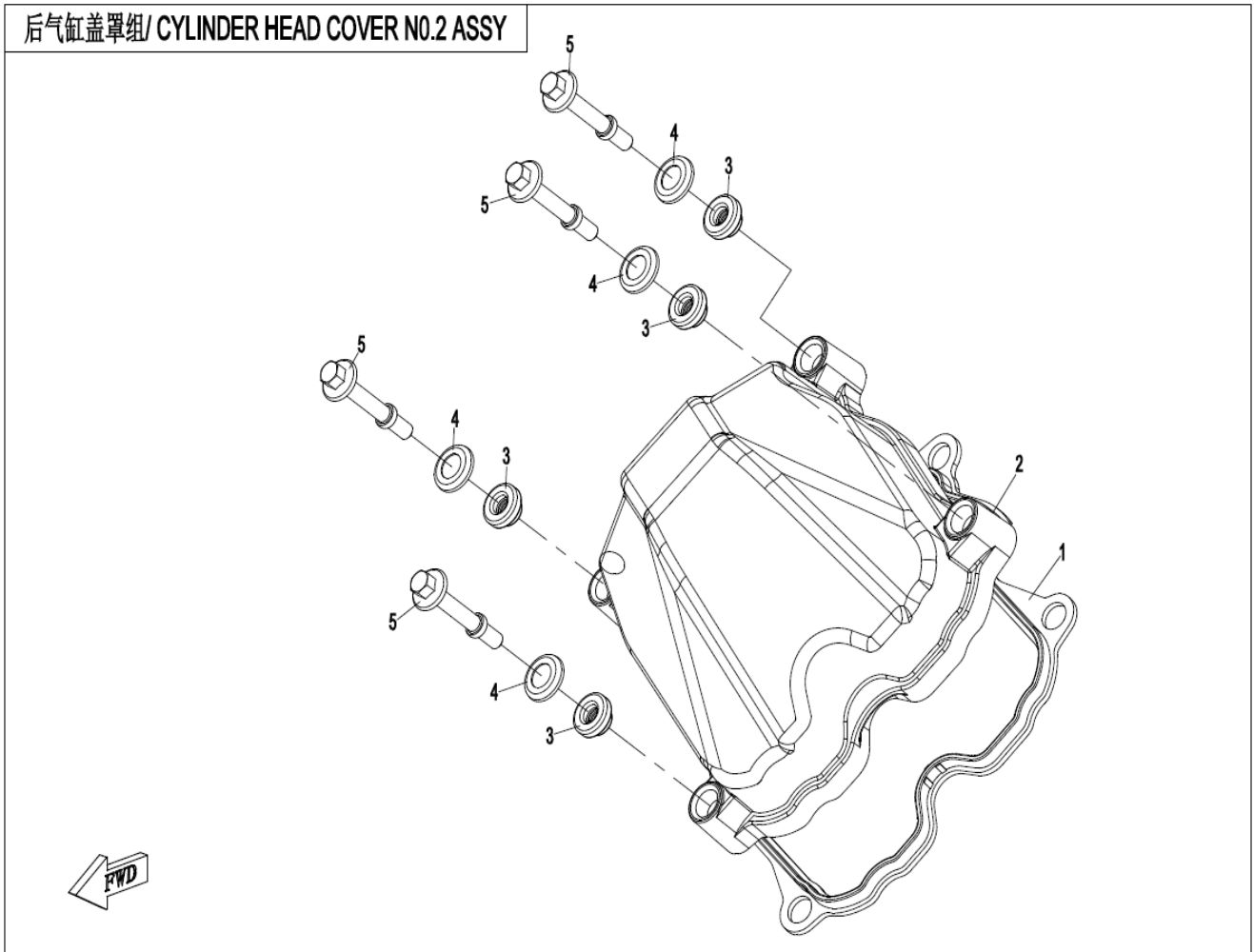
后缸凸轮轴组/CAMSHAFT OF CYLINDER 2 ASSY



E02-7 CAMSHAFT OF CYLINDER 2 ASSY

Item No.	Parts Number	Parts Name(EN)	Qty	Specification
1	0JY0-024100	TIMING CHAIN	1	
2	0800-024003-00002	BOLT, TIMING SPROCKET	1	
3	0800-024006	TIMING SPROCKET	1	
4	0800-024001-00001	DOWEL PIN, SPROCKET	1	
5	0JYV-027010-4000	CAMSHAFT, SECOND CYLINDER	1	
6	0010-021019-0010	BOLT M6x12	1	M6x12
7	0800-024004-10000	HOLDING STRIP, CAMSHAFT	1	

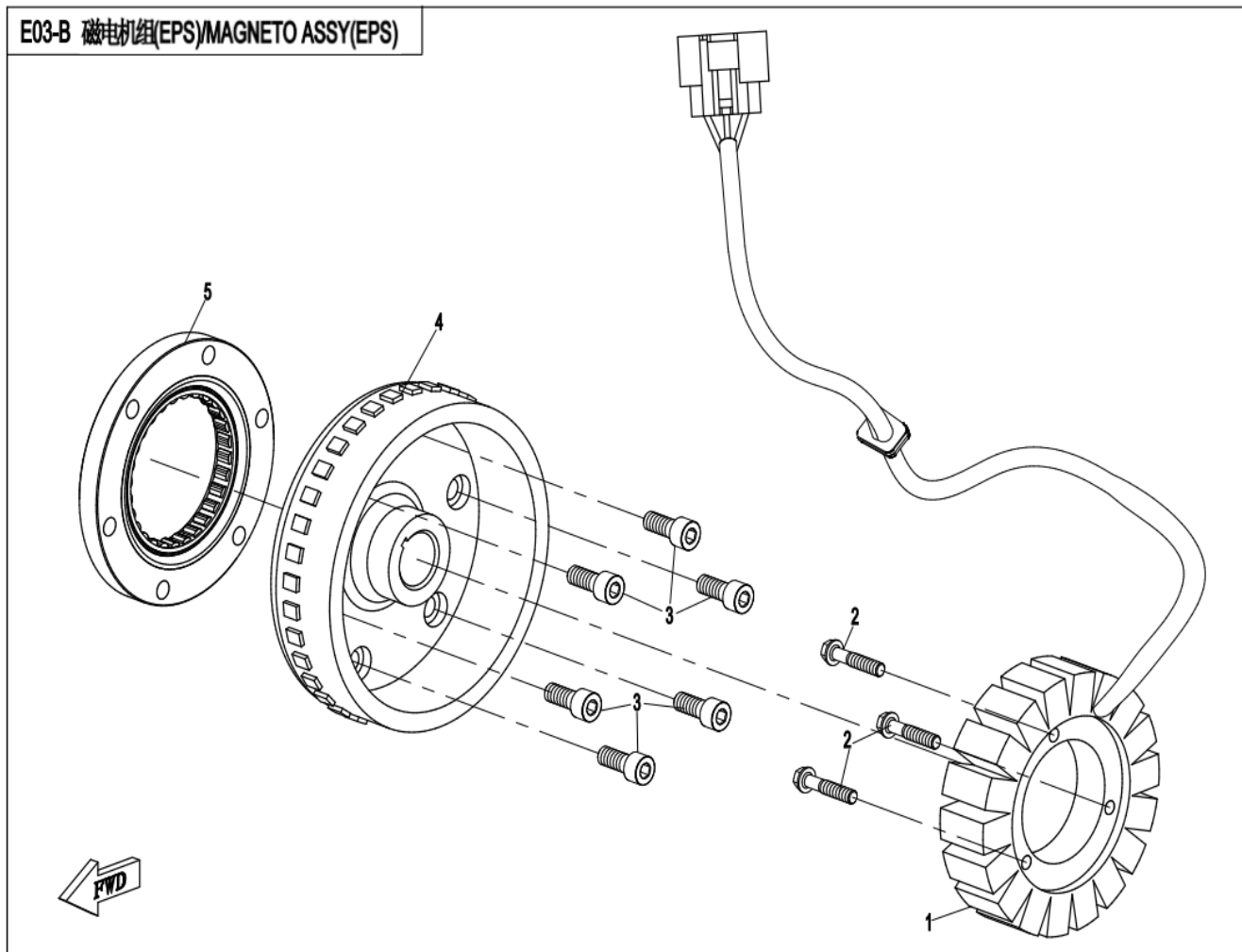
后气缸盖罩组/ CYLINDER HEAD COVER NO.2 ASSY



E02-8 CYLINDER HEAD COVER NO.2 ASSY

Item No.	Parts Number	Parts Name(EN)	Qty	Specification
01	0800-021002-00001	SEAL RING, CYLINDER HEAD COVER	1	
02	0800-021001	CYLINDER HEAD COVER	1	
03	0800-021102-10000	RUBBER WASHER	4	
04	0800-021103	CAP, RUBBER WASHER	4	
05	0800-021101-10001	BOLT, CYLINDER HEAD COVER	4	

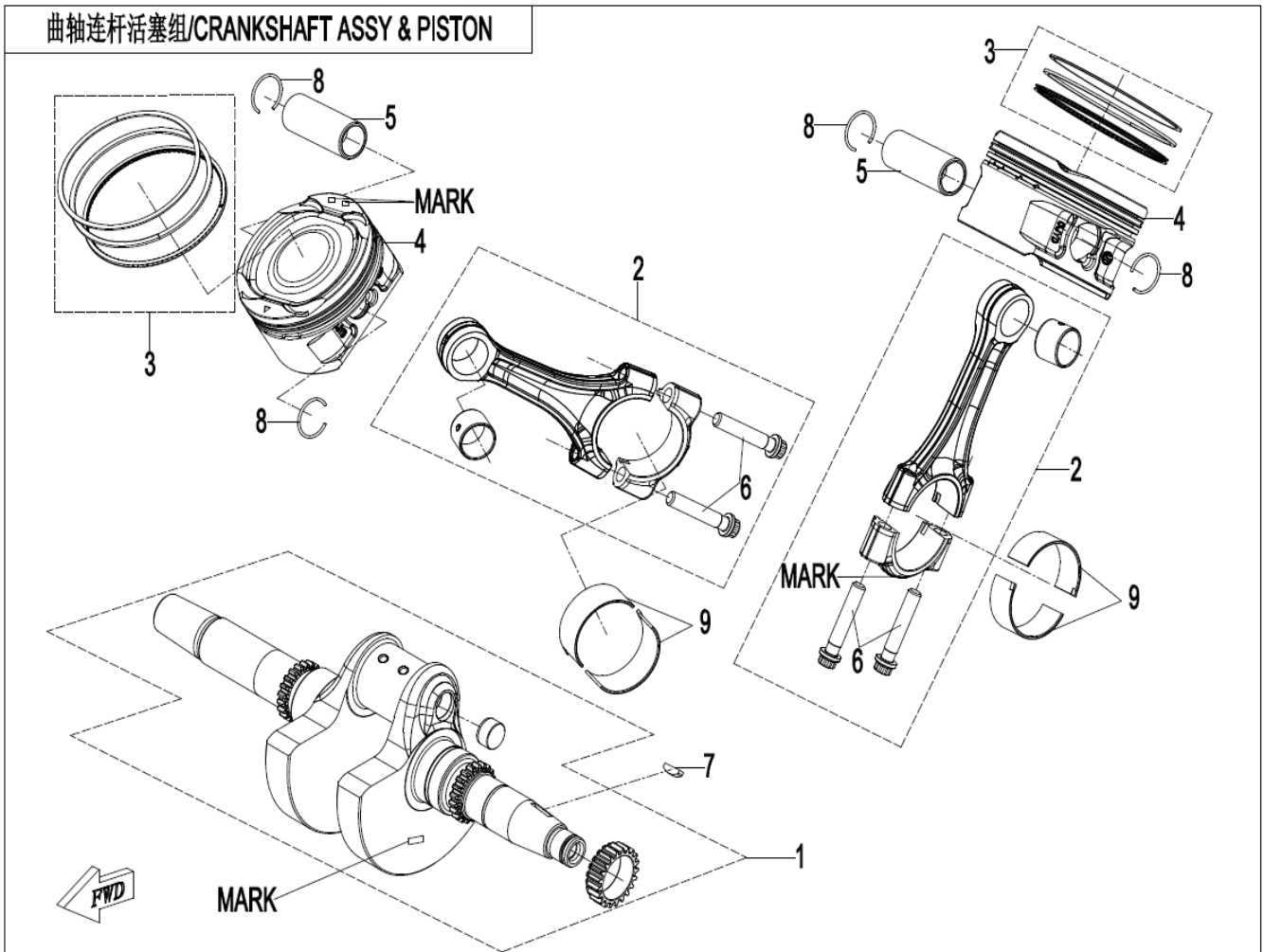
E03-B 磁电机(EPS)MAGNETO ASSY(EPS)



E03 MAGNETO ASSY.(EPS)

Item No.	Parts Number	Parts Name(EN)	Qty	Specification
01	0800-032000-60000	MAGNETO STATOR ASSY.	1	
02	0800-030001-00001	BOLT M6x35	3	
03	30102-080020820	INNER HEX SCREW M8x20	6	M8x20
04	0JYA-031000-40000	MAGNETO ROTOR ASSY.	1	
05	0180-091200	OVERRIDING CLUTCH	1	

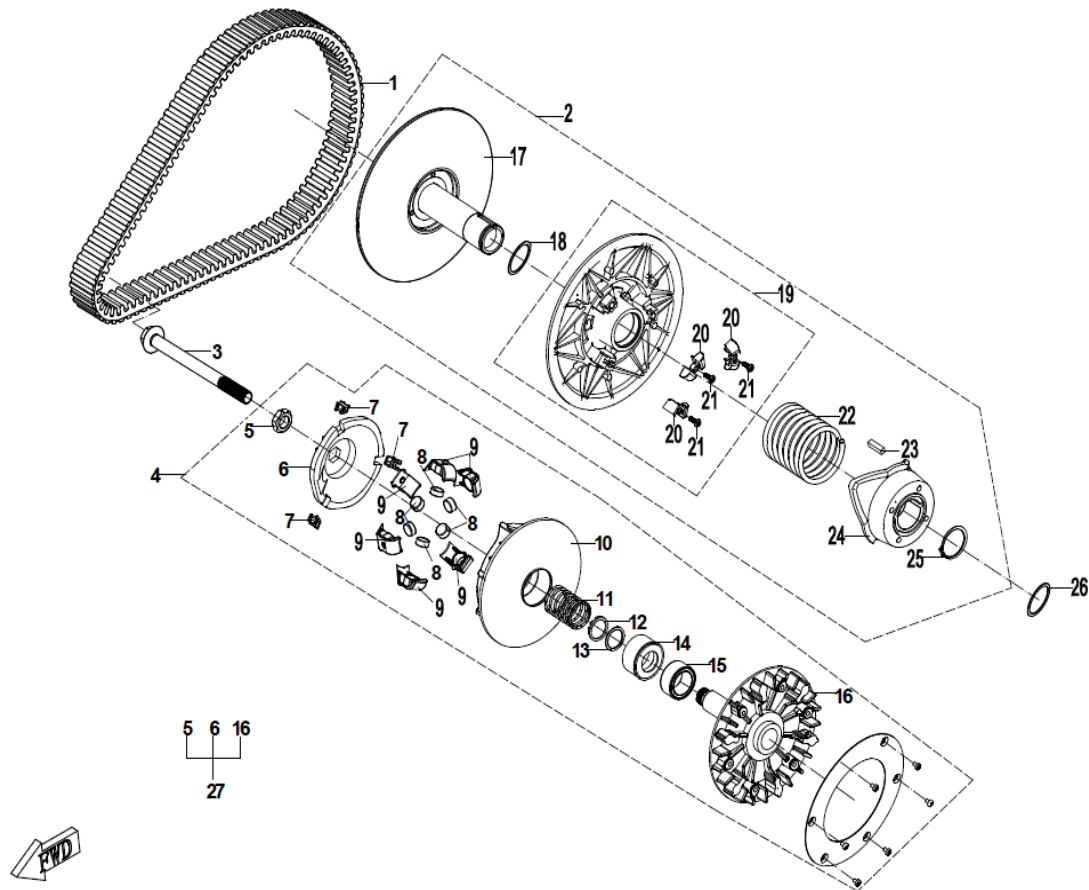
曲轴连杆活塞组/CRANKSHAFT ASSY & PISTON



E04 CRANKSHAFT & CONNECTING ROD & PISTON ASSY

Item No.	Parts Number	Parts Name(EN)	Qty	Specification
1	OJYA-041000-20010	CRANKSHAFT	1	MARK A
1	OJYA-041000-20020	CRANKSHAFT	1	MARK B
2	OJY0-041000-10010	CONNECTING ROD	2	MARK1
2	OJY0-041000-10020	CONNECTING ROD	2	MARK2
3	OJYD-0400A0	PISTON RING KIT	2	
4	OJYV-040002-4000-Q0-00001	PISTON	2	MARK 1
4	OJYV-040002-4000-Q0-00002	PISTON	2	MARK 2
5	0800-040002	PISTON PIN	2	
6	0GQ0-041202	BOLT, CONNECTING ROD	4	
7	0180-040007	WOODRUFF KEY	1	
8	0800-040005	CIRCLIP, PISTON PIN	4	
9	OJY0-040003-00012	PLAIN BEARING, CONNECTING ROD	4	RED
9	OJY0-040003-00022	PALIN BEARING, CONNECTING ROD	4	BLACK
9	OJY0-040003-00032	PALIN BEARING, CONNECTING ROD	4	YELLOW

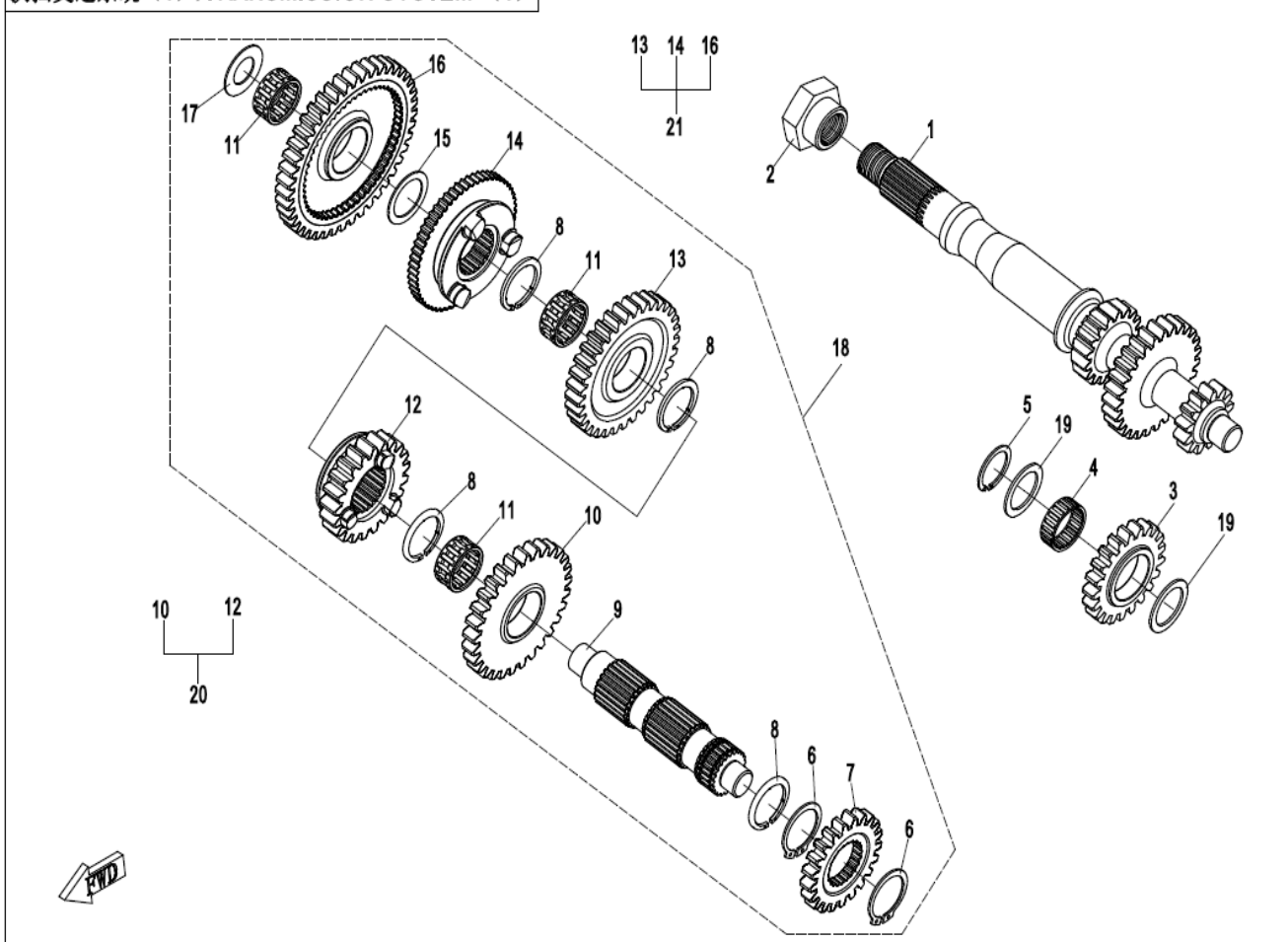
CVT总成/CVT ASSY



E05-V2 CVT ASSY

Item No.	Parts Number	Parts Name(EN)	Qty	Specification
01	OJWA-055000-10000	TOOTHED DRIVE BELT	1	
02	OJYA-052000-10000	DRIVEN PULLEY ASSY	1	
03	OJY0-050001-00001	BOLT, DRIVE PULLEY	1	
03	OGSV-050001-4000	BOLT, DRIVE PULLEY	1	
04	OJYA-051000-30000	DRIVE PULLEY ASSY	1	
05	OJYA-051013-10001	NUT, DRIVE PULLEY	1	
06	OJYA-051006-10000	THRUST COLLAR	1	CVtech
07	OJYA-051004-10000	NYLON PARTS, THRUST DISC	3	
08	OJYA-051001	WEIGHT ROLLER	6	20G
09	OGR0-051005	NYLON PROTECTOR, WEIGHT ROLLER	6	CVtech
10	OJYA-051100	MOVING PLATE ASSY, DRIVE PULLEY	1	CVtech
11	OJY0-051002	SPRING,DRIVE PULLEY	1	CVtech
12	OGR0-051009-10000	NYLON WASHER	1	
13	OGR0-051011	STEEL WASHER	1	CVtech
14	OGR0-051001	SPRING SEAT	1	CVtech
15	OGR0-051400-10000	BEARING	1	
16	OJYA-051200-10000	DRIVE PULLEY STATIONARY SHEAVE	1	
17	OJYA-052100-10000	FIXED SHEAVE, DRIVEN PULLEY	1	
18	OJYD-052001	NYLON WASHER	1	
19	OGR0-0522A0	SLIDING FLANGE ASSY	1	CVtech
20	OGR0-052005	NYLON BLOCK	3	CVtech
21	OGR0-052006	SCREW	3	CVtech
22	OGR0-052001	SPRING, DRIVEN PULLEY	1	CVtech
23	OGR0-052003	TAPER KEY	1	CVtech
24	OGR0-052002	CAM PLATE	1	CVtech
25	OGR0-052004	CIRCLIP	1	CVtech
26	OGR0-050001-00001		1	
27	OJYA-0512A0	THRUST DISC SERVICE KIT	1	

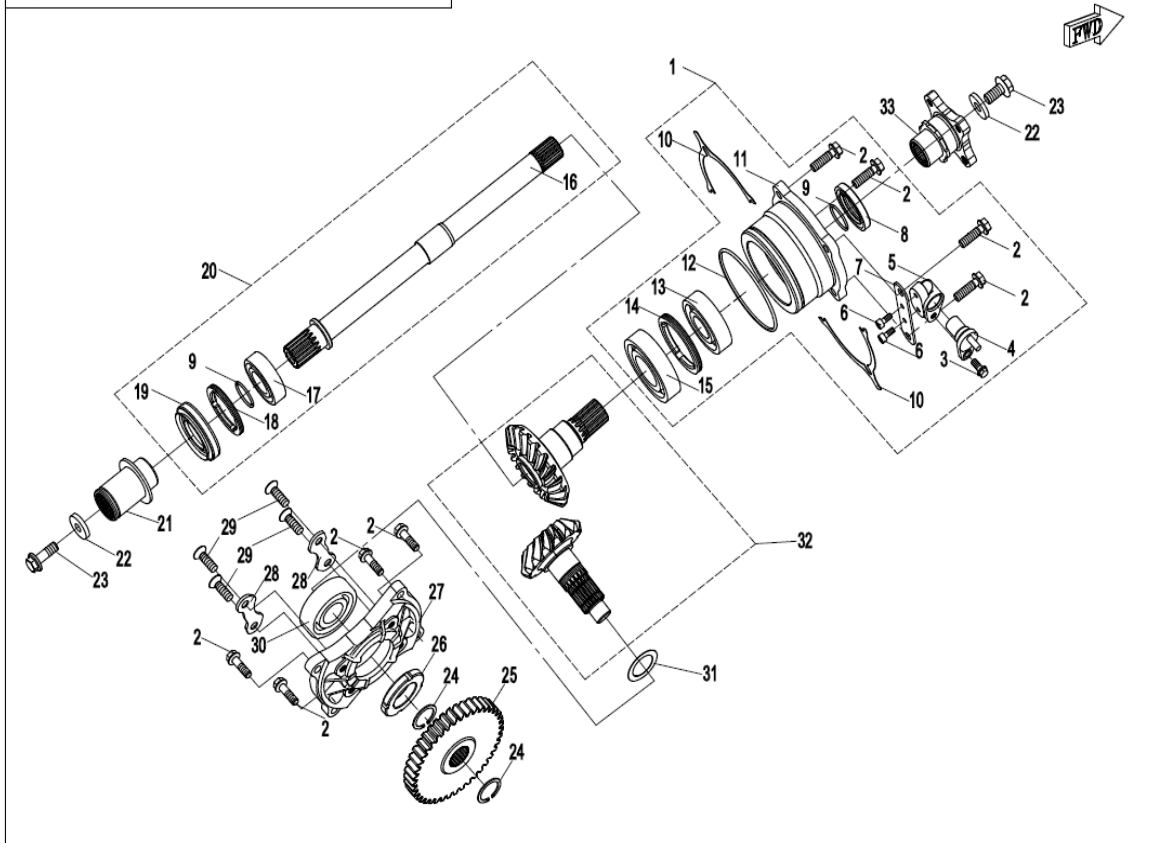
换挡变速系统 (1) / TRANSMISSION SYSTEM (1)



E06-1 TRANSMISSION SYSTEM (1)

Item No.	Parts Number	Parts Name(EN)	Qty	Specification
01	0800-060004-10000	MAIN SHAFT, GEARSHIFT	1	
02	OJYO-060001-00002	NUT, MAIN DRIVE SHAFT	1	
03	0800-060003	INTERMEDIATE GEAR, REVERSE	1	
04	30402-02500	NEEDLE BEARING	1	K25x29x10
05	0180-061007-0050	CIRCLIP 25	1	25
06	30801-02905		2	29
07	0800-061009	GEAR, PARKING	1	
08	0800-061007	CIRCLIP 29	4	29
09	0800-061001	DRIVEN SHAFT	1	
11	30402-02402	NEEDLE BEARING	3	24
15	0800-061003	WASHER 24.5x33.5x1	1	24.5x33.5x1
17	0800-061002	WASHER 17.5x32x1	1	17.5x32x1
18	OJWA-061000-30000	GEARSHIFT DRIVEN SHAFT	1	
19	OGRO-061009-00001	WASHER 25x34x1.5	2	25x34x1.5
20	OJWA-0610A0-30000	DRIVEN GEAR ASSY	1	
21	OJWA-0610B0-30000	GEARSHIFT GEAR ASSY	1	

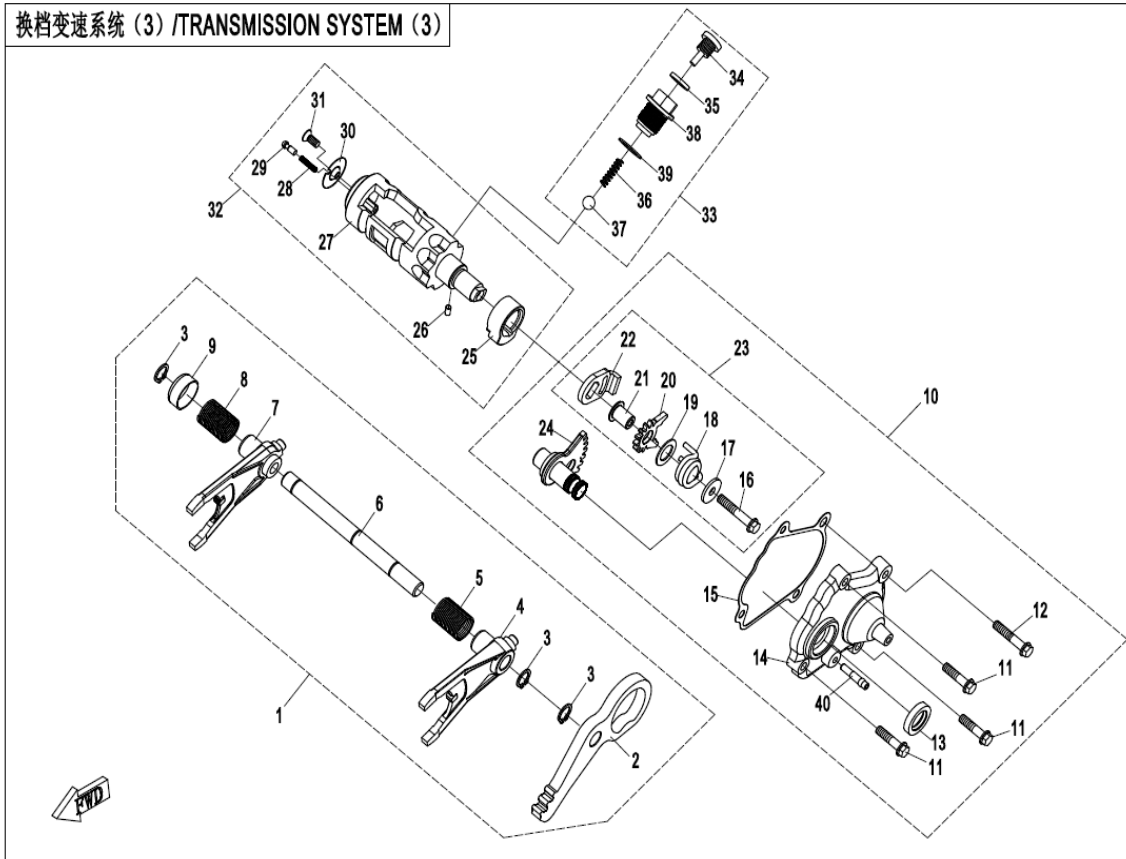
换挡变速系统 (2) / TRANSMISSION SYSTEM (2)



E06-2 TRANSMISSION SYSTEM (2)

Item No.	Parts Number	Parts Name(EN)	Qty	Specification
01	0800-0622B0-00001	DRIVEN BEVEL GEAR	1	
02	OJYA-062104	BOLT M8x28	8	M8x28
03	30001-060014810	BOLT M6x14	1	M6x14
04	7020-150400	SPEED SENSOR	1	
05	0800-062208	SEAT, SPEED SENSOR	1	
06	30102-050012810	SCREW M5x12	2	M5x12
07	0800-062209	PLATE, SPEED SENSOR	1	
08	0800-062204	OIL SEAL 35x50x7	1	35x50x7
09	0800-062205	O-SEAL RING 25x2	2	25x2
10	0800-062203-0004	ADJUSTING GASKET, DRIVEN BEVEL GEAR T=0.5	1	T=0.5
10	0800-062203-0003	ADJUSTING GASKET, DRIVEN BEVEL GEAR T=0.4	1	T=0.4
10	0800-062203-0002	ADJUSTING GASKET, DRIVEN BEVEL GEAR T=0.3	1	T=0.3
10	0800-062203-0001	ADJUSTING GASKET, DRIVEN BEVEL GEAR T=0.2	1	T=0.2
10	0800-062203	ADJUSTING GASKET, DRIVEN BEVEL GEAR T=0.1	1	T=0.1
11	0800-062202-10001	DRIVEN BEVEL GEAR BEARING SEAT	1	
12	0180-062205	O-SEAL RING 88x2.5	1	88x2.5
13	30499-02501	BEARING	1	25
14	0800-062206	STOPPER NUT, BEARING	1	
15	30499-03501	BEARING	1	
16	OJWA-062301-10001	BEARING	1	
17	30400-02501	BEARING	1	25
18	0180-060008		1	
19	OJWA-062302	OIL SEAL 35x61x9(14)	1	35x61x9
20	OJWA-062300-10001	FRONT OUTPUT SHAFT ASSY	1	
21	OGQ0-060100	FRONT OUTPUT BUSHING ASSY	1	
22	OGR0-062204	WASHER 10x27.5x4	2	10x27.5x4
23	OJWA-060002-00001	LOCK NUT, BEVEL GEAR	2	
24	0180-061007-0050	CIRCLIP 25	2	25
25	0800-062102	OUTPUT DRIVEN GEAR	1	
26	OJYA-062102-00001	LOCK NUT, BEVEL GEAR	1	M10x1.25x30
27	OJYA-062103	BEARING SEAT,DRIVE BEVEL GEAR	1	
28	0180-062104-0010	LIMITATOR, BEARING	2	
29	30124-080025810	SCREW M8x25	4	M8x25
30	0110-041007		1	28x68x18
31	OJYV-062101-1E00-Q0-00001	ADJUSTING WASHER, DRIVE BEVEL GEAR	1	t=1.400-1.449
31	OJYV-062101-1E00-Q0-00002	ADJUSTING WASHER, DRIVE BEVEL GEAR	1	t=1.450-1.499
31	OJYV-062101-1E00-Q0-00003	ADJUSTING WASHER, DRIVE BEVEL GEAR	1	t=1.500-1.549
31	OJYV-062101-1E00-Q0-00004	ADJUSTING WASHER, DRIVE BEVEL GEAR	1	t=1.550-1.599
31	OJYV-062101-1E00-Q0-00005	ADJUSTING WASHER, DRIVE BEVEL GEAR	1	t=1.600-1.649
32	OJYA-0622B0-00002	BEVEL GEAR ASSY	1	
33	OJYA-060100	COUPLER ASSY., REAR TRANSMISSION OUTPUT	1	

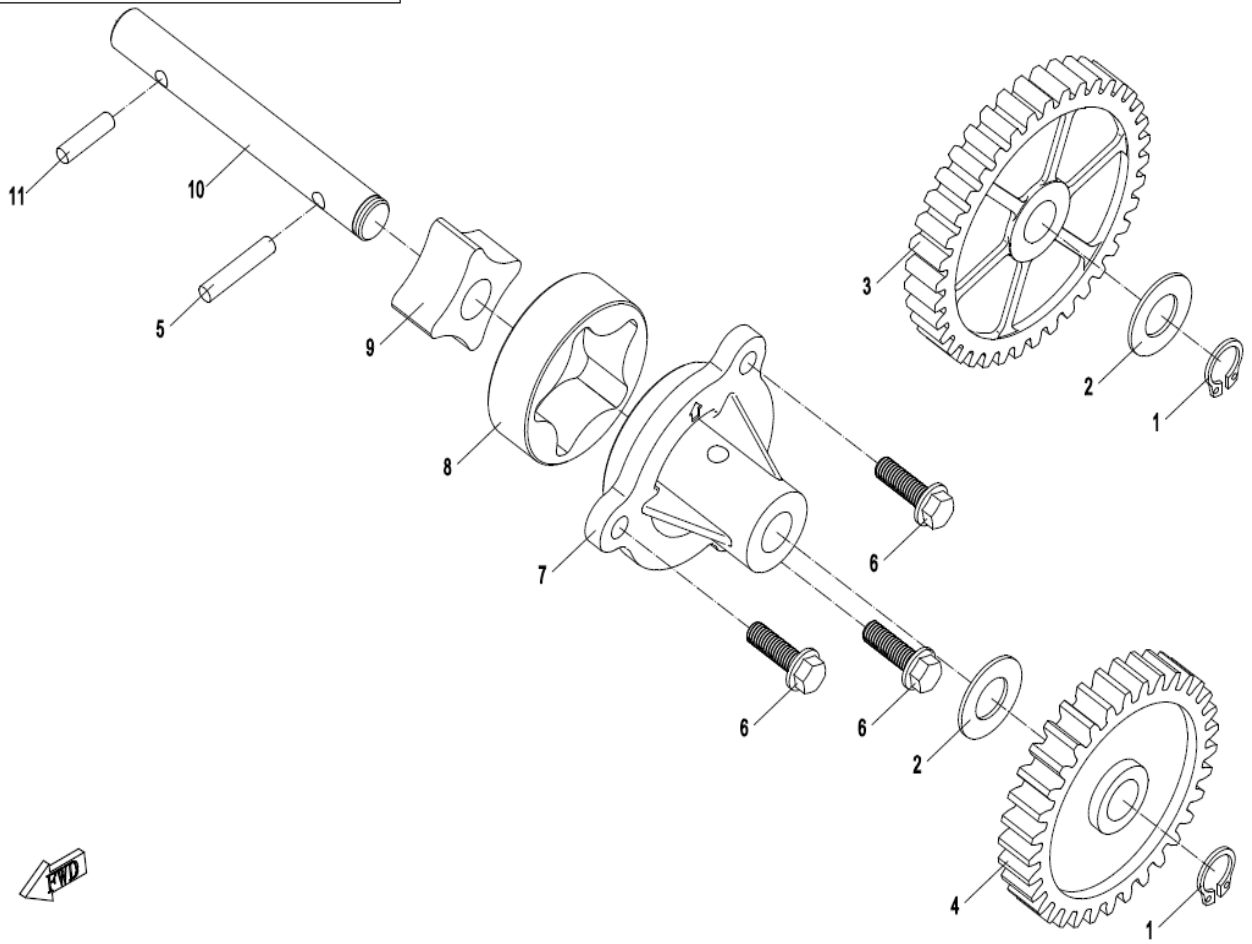
换挡变速系统 (3) / TRANSMISSION SYSTEM (3)



E06-3 TRANSMISSION SYSTEM (3)

Item No.	Parts Number	Parts Name(EN)	Qty	Specification
01	0800-063000	SHIFT FORK ASSY	1	
02	0800-063001-00001	SWING ARM, PARKING	1	
03	30801-01205		3	12
04	0800-063003	SHIFT FORK, LH	1	
05	0180-063003-0050	FORK SPRING, THIN	1	
06	0800-063002	SHAFT, SHIFT FORK	1	
07	0800-063004	SHIFT FORK, RH	1	
08	0180-063005-0050	FORK SPRING, THICK	1	
09	0180-063006-0010	SPRING SEAT	1	
10	OJWA-06500Z-20001	SHIFT SECTOR GEAR	1	
11	0010-021017-0010	BOLT M6x25	3	M6x25
12	0010-080012-0010	BOLT M6x32	1	M6x32
13	0180-065002		1	SD15x25x5
14	OJWA-065101-20000		1	
15	OGR0-065003	METAL GASKET, SECTOR GEAR	1	
16	0010-013008-0010	BOLT M6x35	1	M6x35
17	0180-065206-00001	WASHER 6.2x22x2	1	
18	0180-065205-0010	TORSION SPRING, DRIVEN SECTOR GEAR	1	
19	0180-065204-0050	GASKET 13.5x22x1	1	13.5x22x1
20	0180-065203	DRIVEN SECTOR GEAR	1	
21	0180-065202-0050		1	
22	0180-065201-0010	WASHER, DRIVEN SECTOR GEAR	1	
23	0180-065200	DRIVEN SECTOR GEAR ASSY	1	
24	0180-065100-10002	DRIVE SECTOR GEAR	1	
25	0800-064003	CAM, PARKING	1	
26	0800-064002	PIN SHAFT	1	
27	0800-064001-10000	SHIFT DRUM	1	
28	0180-064004-0050	SPRING, GEAR CONTACTOR	1	
29	0180-064003-0050	GEAR CONTACTOR	1	
30	0180-064001-0010	LIMIT GASKET	1	
31	0180-064002-00001	LOCK SCREW T25	1	
32	0800-064000-10000	DRUM ASSY, GEARSHIFT	1	
33	OJWA-068000	BOLT ASSY SHIFT LIMIT	1	
34	0800-068001-00001	SPRING SEAT, GEARSHIFT LIMIT	1	
35	OJWA-068004		1	12.2x18x3
36	0180-068003-0050	SPRING, LIMIT	1	
37	3120003		1	38"
38	OJWA-068002	BOLT, GEARSHIFT LIMIT	1	
39	OJWA-068003		1	18.2x25x1.5
40	0180-311004-0020	JOINT, BREATHER HOSE	1	

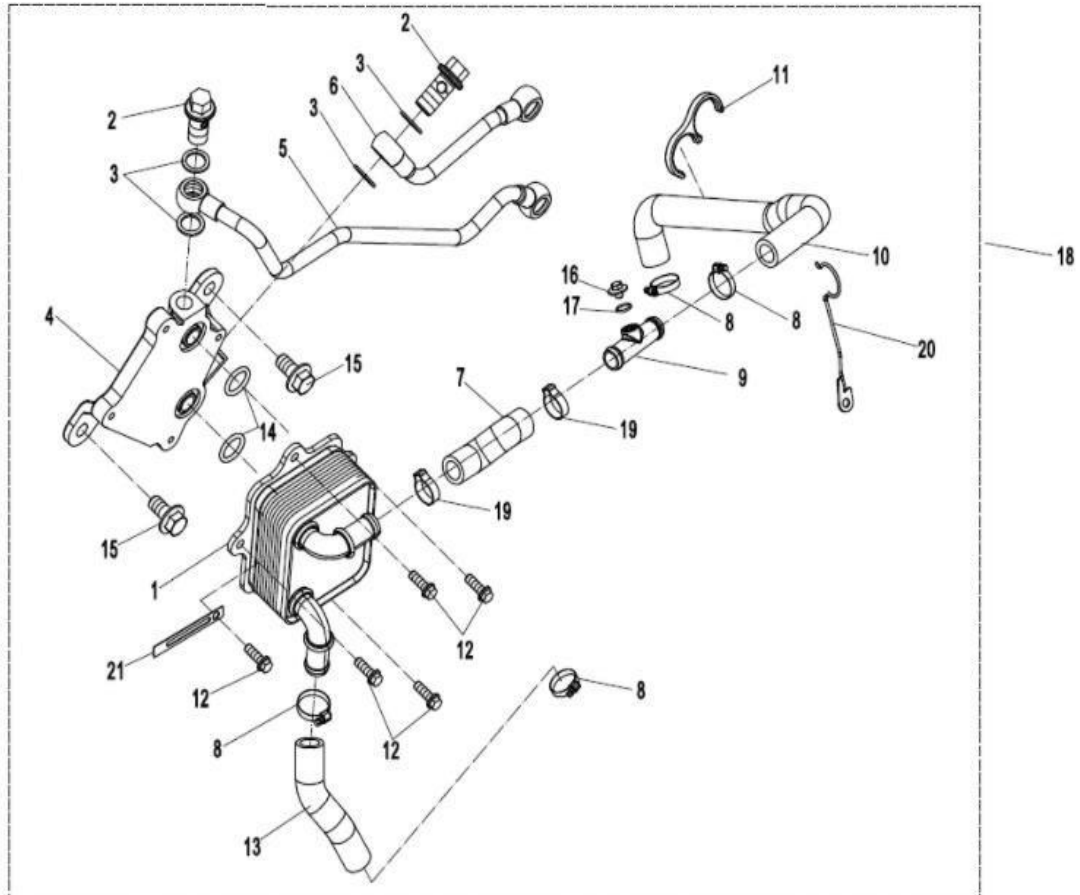
机油泵组/OIL PUMP ASSY



E07-1 OIL PUMP ASSY

Item No.	Parts Number	Parts Name(EN)	Qty	Specification
01	30801-01005		2	10
02	0800-011005	WASHER 10	2	10
03	0800-070006-1000	IDLE GEAR, OIL PUMP	1	
04	0800-070005	GEAR, OIL PUMP	1	
05	30406-00402	ROLLER NEEDLE P4x21.8	1	P4x21.8
06	0010-030002-00001	BOLT	3	
07	0JWA-070003		1	
08	0800-070002	OUTER ROTOR, OIL PUMP	1	
09	0800-070001	INNER ROTOR, OIL PUMP	1	
10	0JWA-070004	SHAFT, OIL PUMP	1	
11	30406-00400	ROLLER NEEDLE P4x15.8	1	P4x15.8

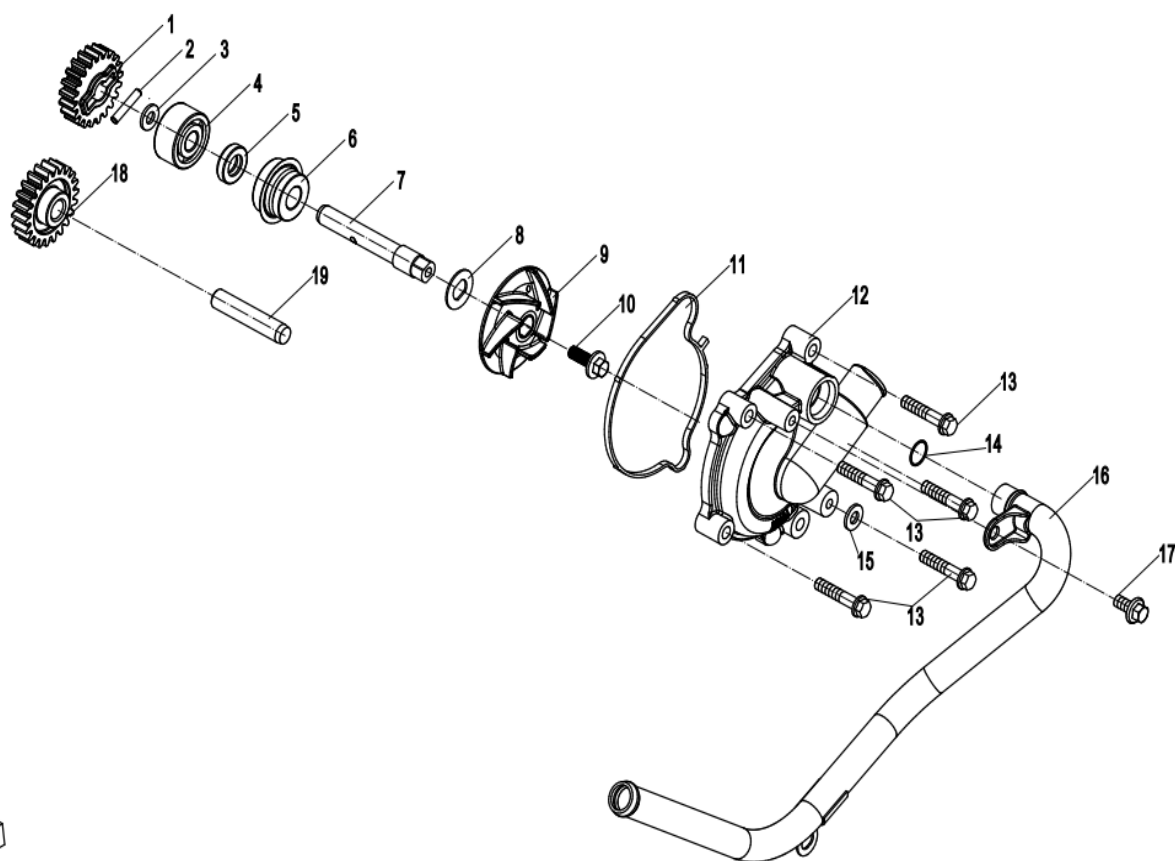
油冷装置/OIL COOLING ASSY



E07-2 OIL COOLING SYSTEM

Item No.	Parts Number	Parts Name(EN)	Qty	Specification
01	OJWA-071300	OIL COOLER	1	
02	0180-011007-0010	BOLT M14x1.5x32	2	M14x1.5x32
03	0180-011006	GASKET 14	4	14
04	OJWA-071001	BASE SEAT, OIL COOLER	1	
05	OJYA-071100	OIL INLET PIPE, OIL COOLER	1	
06	OJYA-071200	OIL OUTLET PIPE, OIL COOLER	1	
07	OJYA-071001-00001	WATER OUTLET PIPE 1, OIL COOLER	1	
08	30603-125020	CLAMP D25	4	D25
09	OJYA-071401	WATER OUTLET BIPASS	1	
10	OJYA-071008-20000	WATER OUTLET PIPE 2, OIL COLLER	1	
11	OJYA-071007	CLIP, WATER PIPE	1	
12	0010-023008-00001	BOLT	4	
13	OJWA-071002-10000	WATER INLET HOSE, OIL COOLER	1	
14	30502-017000F	O-RING 17x2.5	2	17x2.5
15	30006-103020810	BOLT M10x20	2	M10x20
16	OJYA-023001-00001	HEX FLANGE BOLT M6x6	1	
17	0700-011202	HEX FLANGE	1	8.2x1.90
18	OJYA-07100Z-40002	OIL COLLER SUB ASSY	1	
19	C3H0-073002	CLAMP D25.6	2	
20	OJWA-071400	CLIP	1	
21	0180-014010	WIRE CLAMP	1	

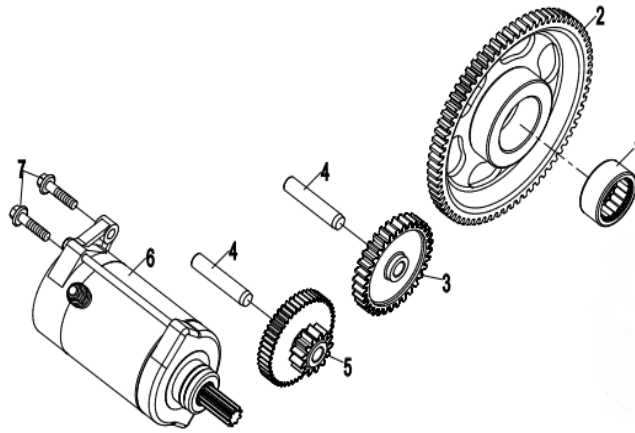
E08 水泵组/WATER PUMP ASSY



E08 WATER PUMP ASSY.

Item No.	Parts Number	Parts Name(EN)	Qty	Specification
01	OJWA-080002		1	
02	30406-00404	ROLLER NEEDLE	1	
03	0800-011005	WASHER 10	1	10
04	30408-01000	BEARING	1	10
05	0110-080005		1	10x20x5
06	OJWA-081000	WATER SEAL ASSY	1	
07	OJWA-080008	WATER PUMP SHAFT	1	
08	OJWA-080005		1	
09	OJWA-080003	IMPELLER, WATER PUMP	1	
10	OJWA-080007-00001	BOLT	1	
11	OJWA-080004	SEAL RING, WATER PUMP COVER	1	
12	OJWA-080006-10000		1	
13	0010-060012-0010	BOLT M6x30	5	M6x30
14	01A0-013005		1	13x2
15	0010-060009		1	6
16	OJWA-082000	OUTLET PIPE ASSY., WATER PUMP	1	
17	0010-021019-0010	BOLT M6x12	1	M6x12
18	OJWA-080001		1	
19	0800-011202	SHAFT, BREATHER	1	

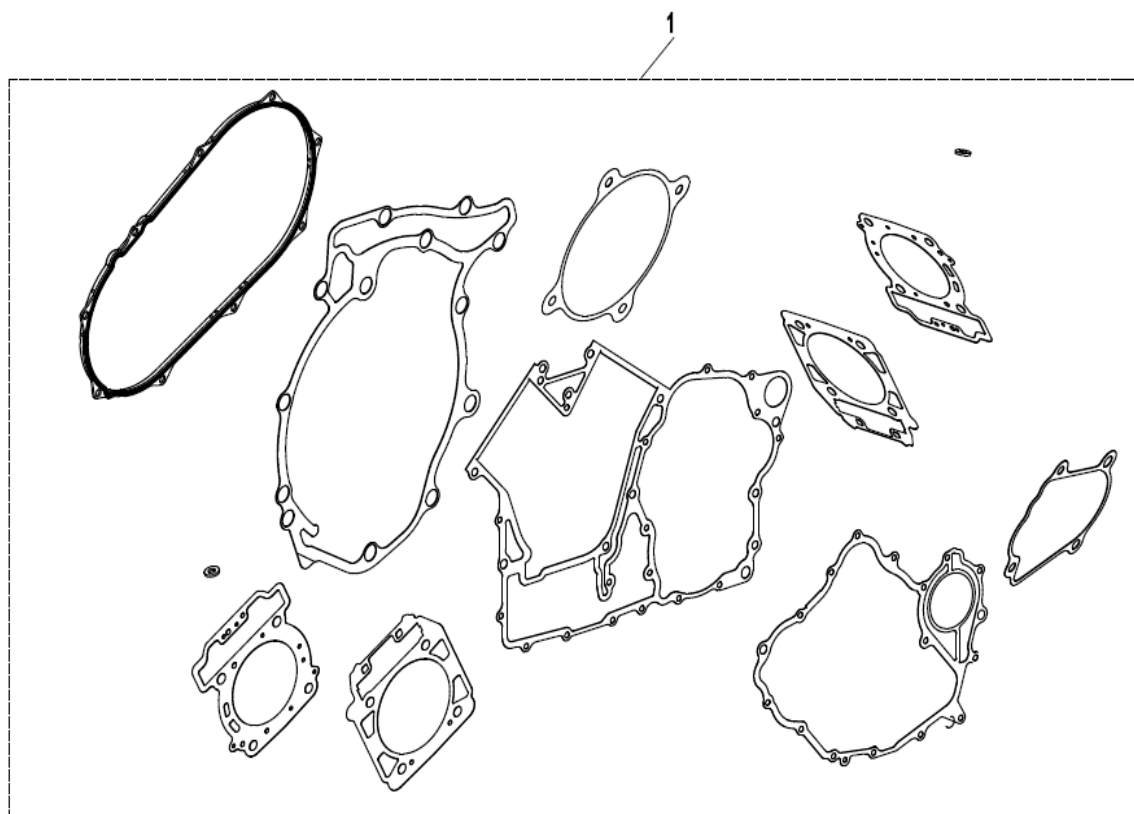
E09 起系统 STARTING SYSTEM



E09 STARTING SYSTEM

Item No.	Parts Number	Parts Name(EN)	Qty	Specification
01	30401-03000	NEEDLE BEARING	1	30
02	0800-090001-00002	DRIVEN GEAR	1	
03	0800-090002	MIDDLE GEAR	1	
04	0800-011202	SHAFT, BREATHER	2	
05	0800-090003	DUAL GEAR	1	
06	0800-091000	STARTING MOTOR	1	
06	0800-091000-10000	START MOTOR ASSY	1	
07	0010-080013-0010	BOLT M6x22	2	M6x22

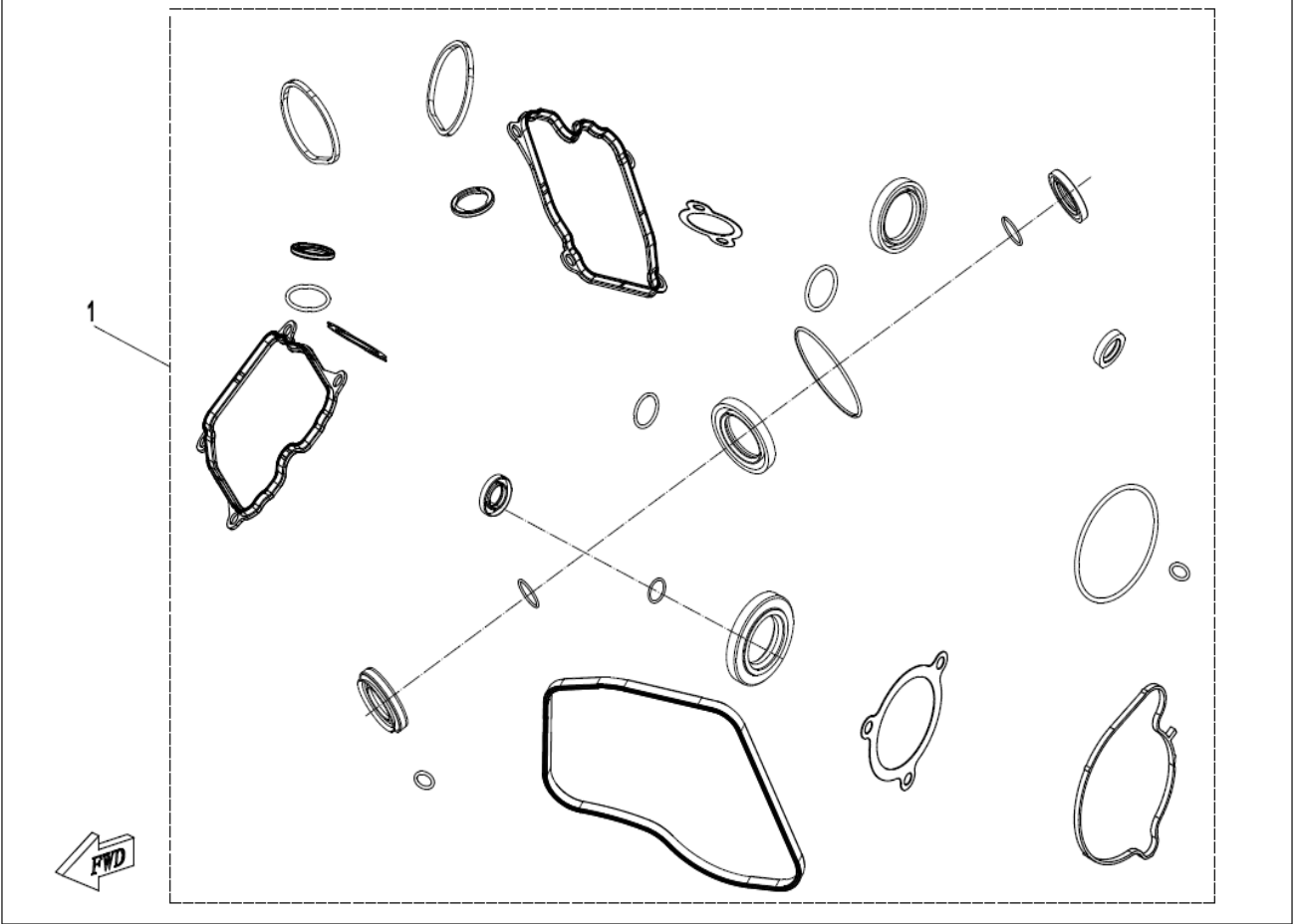
E29 发动机垫片系列ENGINE GASKET SET



E29 ENGINE GASKET SET

Item No.	Parts Number	Parts Name(EN)	Qty	Specification
01	0JYA-0000A0-00002	ENGINE WASHER KIT	1	

E30 发动机油封及O型圈系列 ENGINE OIL SEAL & O-RING SET



E30 ENGINE OIL SEAL & O-RING SET

Item No.	Parts Number	Parts Name(EN)	Qty	Specification
01	OJYA-0000A1	ENGINE OIL SEAL & O-RING SET	1	