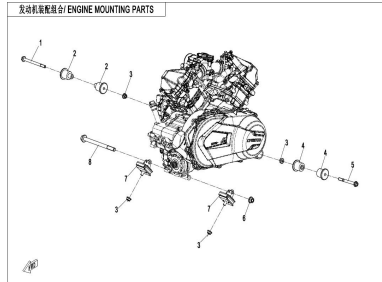
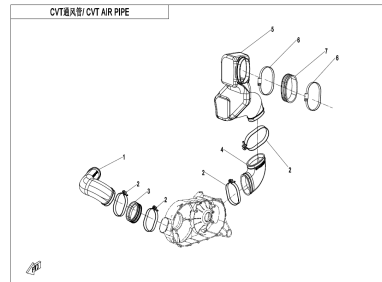
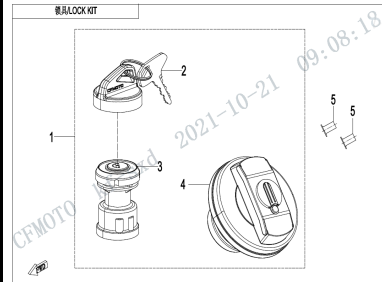
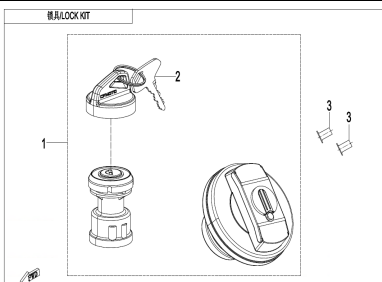
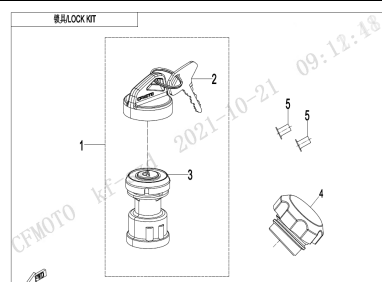
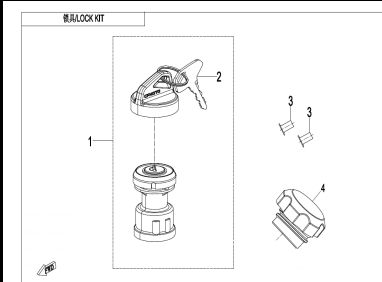
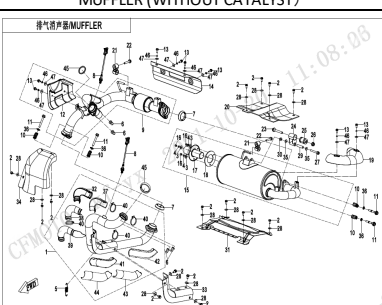
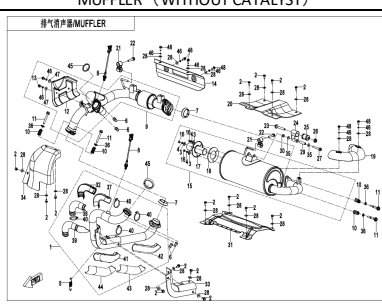
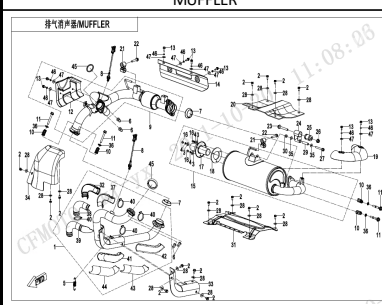
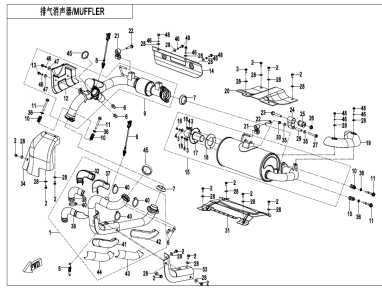
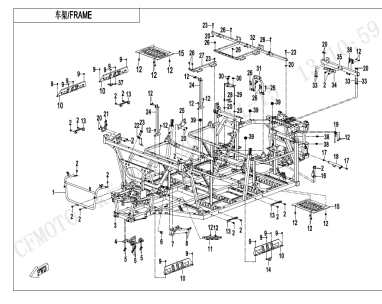
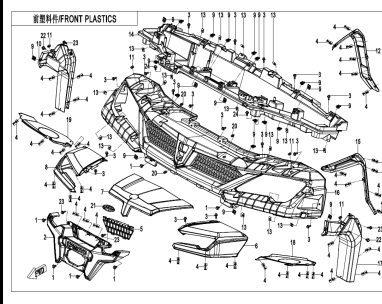
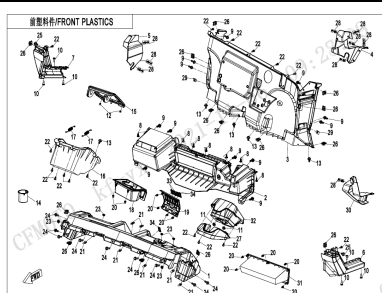
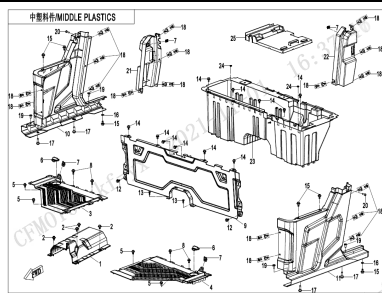
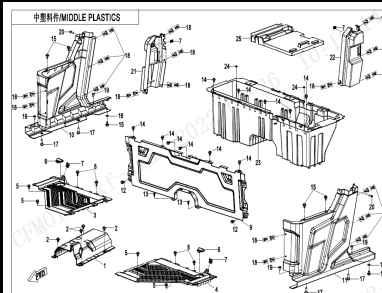
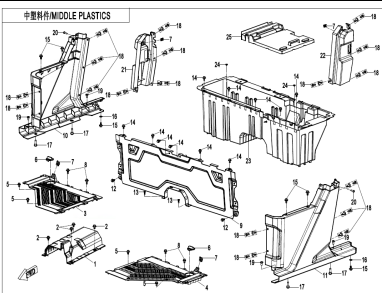
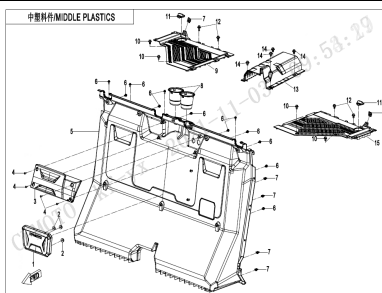
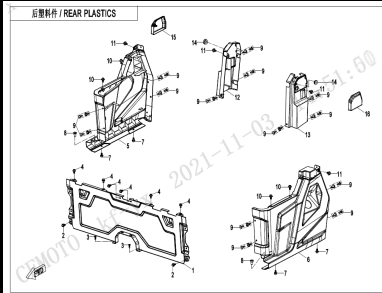
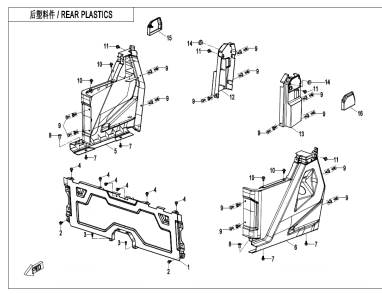
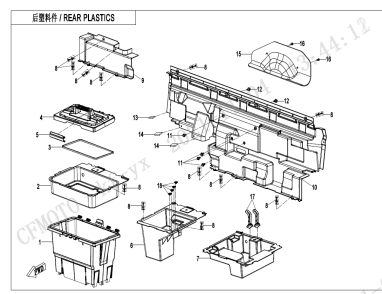
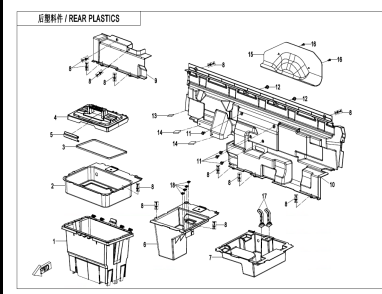
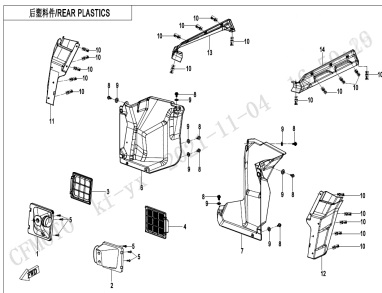
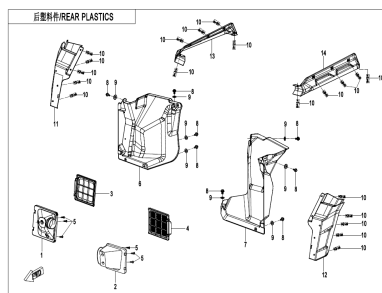
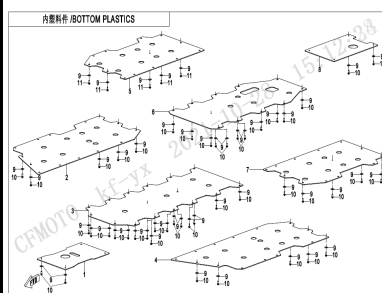


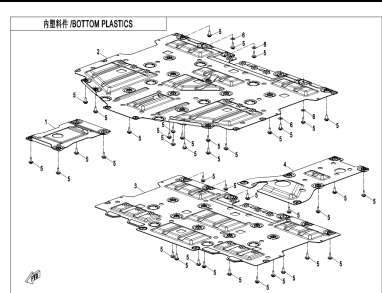
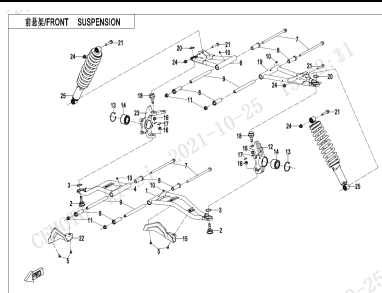
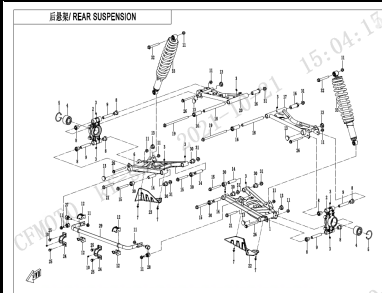
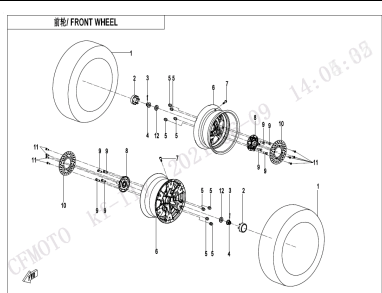
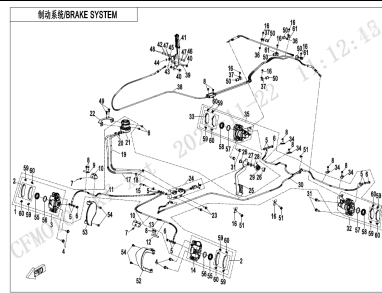
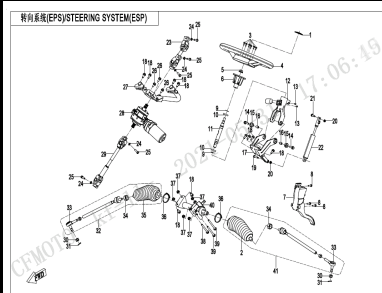
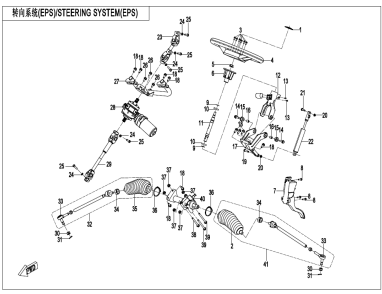
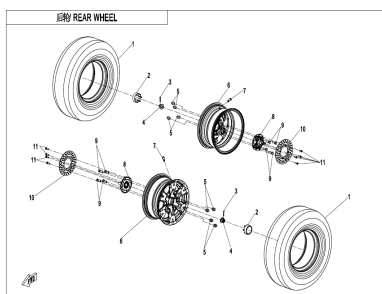
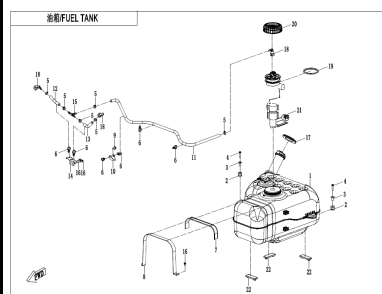
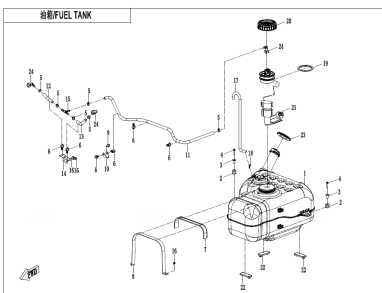
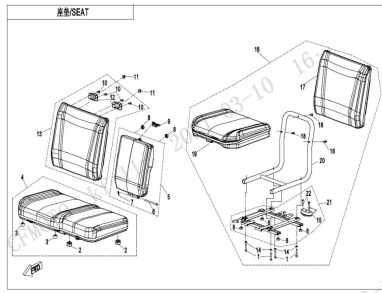
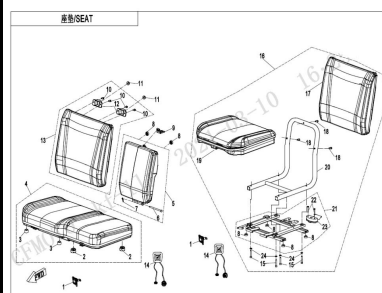
# CONTENTS—FRAME GROUP

<p><b>F00-1</b></p> <p style="text-align: center;"><b>ENGINE MOUNTING PARTS</b></p> <p style="font-size: small;">发动机装配组合 ENGINE MOUNTING PARTS</p> 	<p><b>F00-2</b></p> <p style="text-align: center;"><b>CVT AIR PIPE</b></p> <p style="font-size: small;">CVT通风管 CVT AIR PIPE</p> 	<p><b>F01</b></p> <p style="text-align: center;"><b>LOCK KIT</b></p> <p style="font-size: small;">锁具 LOCK KIT</p> 
<p><b>F01-A-V2</b></p> <p style="text-align: center;"><b>LOCK KIT</b></p> <p style="font-size: small;">锁具 LOCK KIT</p> 	<p><b>F01-B-V1</b></p> <p style="text-align: center;"><b>LOCK KIT</b></p> <p style="font-size: small;">锁具 LOCK KIT</p> 	<p><b>F01-B-V2</b></p> <p style="text-align: center;"><b>LOCK KIT</b></p> <p style="font-size: small;">锁具 LOCK KIT</p> 
<p><b>F02-A-V1</b></p> <p style="text-align: center;"><b>MUFFLER (WITHOUT CATALYST)</b></p> <p style="font-size: small;">排气消声器 MUFFLER</p> 	<p><b>F02-A-V2</b></p> <p style="text-align: center;"><b>MUFFLER (WITHOUT CATALYST)</b></p> <p style="font-size: small;">排气消声器 MUFFLER</p> 	<p><b>F02-B-V</b></p> <p style="text-align: center;"><b>MUFFLER</b></p> <p style="font-size: small;">排气消声器 MUFFLER</p> 
<p><b>F02-B-V2</b></p> <p style="text-align: center;"><b>MUFFLER</b></p> <p style="font-size: small;">排气消声器 MUFFLER</p> 	<p><b>F03</b></p> <p style="text-align: center;"><b>FRAME</b></p> <p style="font-size: small;">车架 FRAME</p> 	<p><b>F04-1</b></p> <p style="text-align: center;"><b>FRONT PLASTICS</b></p> <p style="font-size: small;">前塑料件 FRONT PLASTICS</p> 

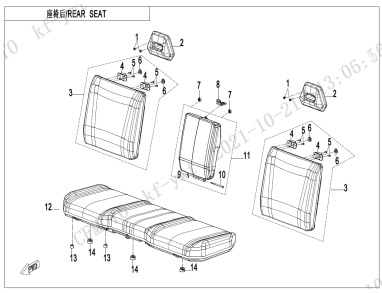
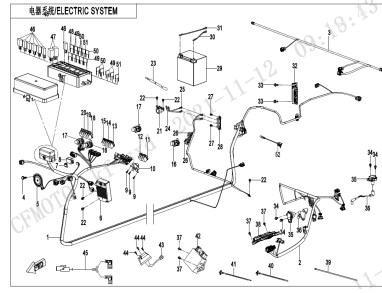
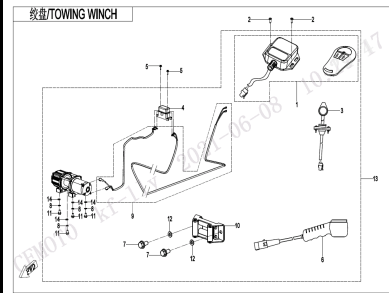
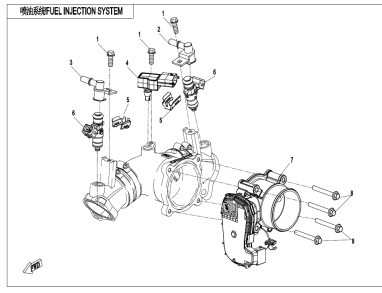
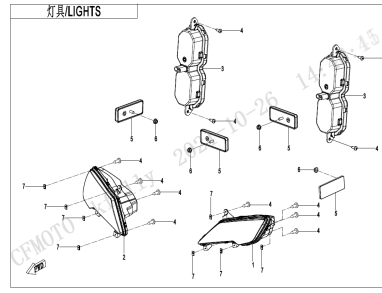
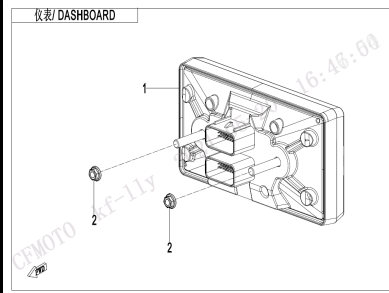
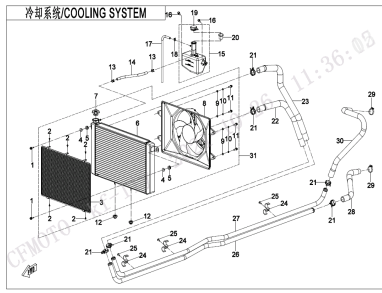
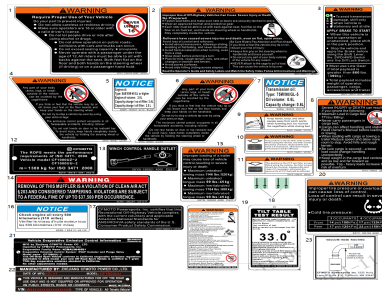
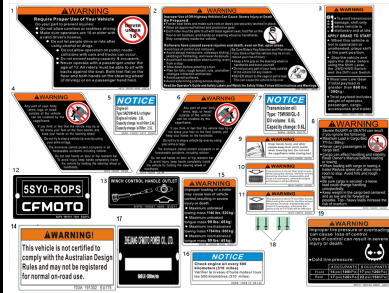
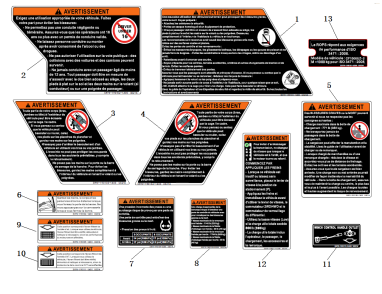
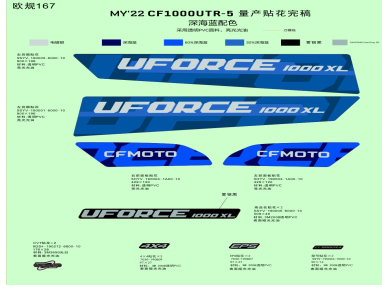

# CONTENTS—FRAME GROUP

<p><b>F04-2</b></p> <p style="text-align: center;">FRONT PLASTICS</p> 	<p><b>F04-3-V1</b></p> <p style="text-align: center;">MIDDLE PLASTICS</p> 	<p><b>F04-3-V2</b></p> <p style="text-align: center;">MIDDLE PLASTICS</p> 
<p><b>F04-3-V3</b></p> <p style="text-align: center;">MIDDLE PLASTICS</p> 	<p><b>F04-4</b></p> <p style="text-align: center;">MIDDLE PLASTICS</p> 	<p><b>F04-5-V1</b></p> <p style="text-align: center;">REAR PLASTICS</p> 
<p><b>F04-5-V2</b></p> <p style="text-align: center;">REAR PLASTICS</p> 	<p><b>F04-6-V1</b></p> <p style="text-align: center;">REAR PLASTICS</p> 	<p><b>F04-6-V2</b></p> <p style="text-align: center;">REAR PLASTICS</p> 
<p><b>F04-7-V1</b></p> <p style="text-align: center;">REAR PLASTICS</p> 	<p><b>F04-7-V2</b></p> <p style="text-align: center;">REAR PLASTICS</p> 	<p><b>F04-8-V1</b></p> <p style="text-align: center;">BOTTOM PLASTICS</p> 


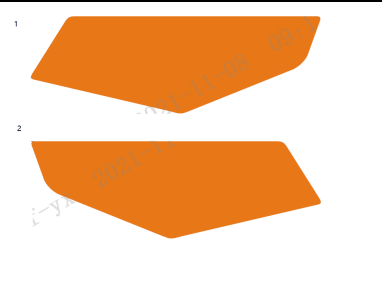
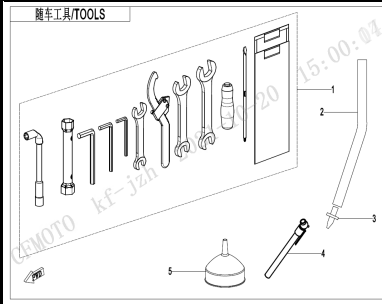
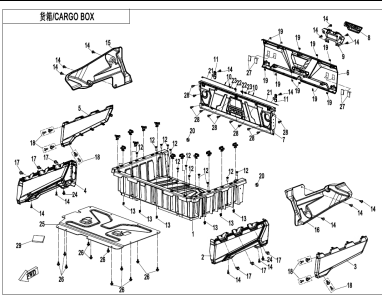
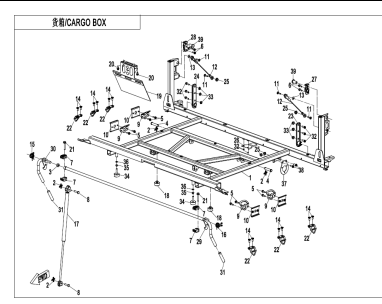
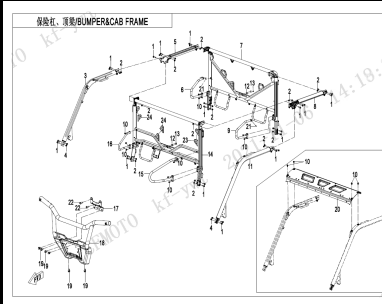
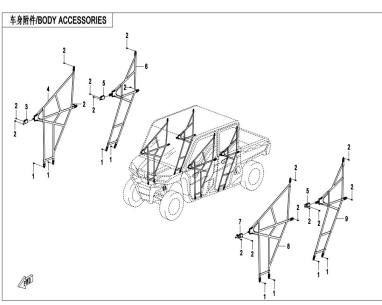
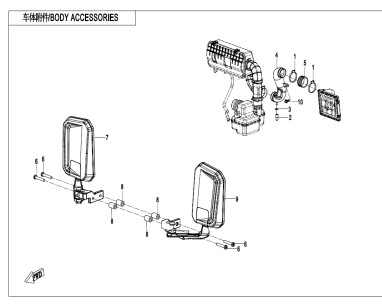
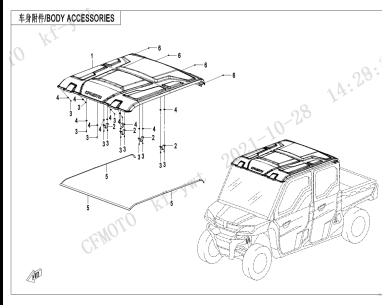
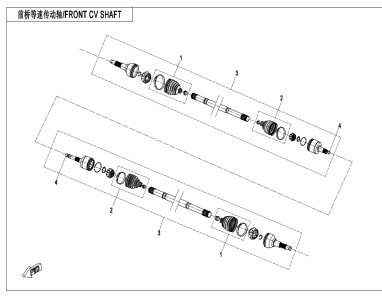
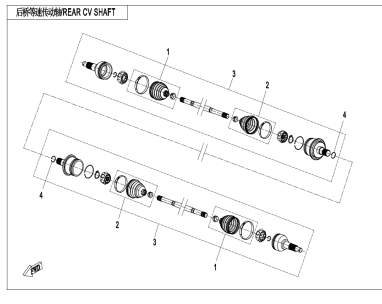
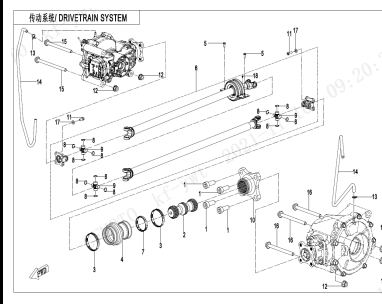
# CONTENTS—FRAME GROUP

<p><b>F04-8-V2</b></p> <p style="text-align: center;"><b>BOTTOM PLASTICS</b></p> 	<p><b>F05</b></p> <p style="text-align: center;"><b>FRONT SUSPENSION</b></p> 	<p><b>F06</b></p> <p style="text-align: center;"><b>REAR SUSPENSION</b></p> 
<p><b>F15-2</b></p> <p style="text-align: center;"><b>TOWING WINCH</b></p> 	<p><b>F08</b></p> <p style="text-align: center;"><b>BRAKE SYSTEM</b></p> 	<p><b>F10-V1</b></p> <p style="text-align: center;"><b>STEERING SYSTEM (EPS)</b></p> 
<p><b>F10-V2</b></p> <p style="text-align: center;"><b>STEERING SYSTEM (EPS)</b></p> 	<p><b>F11</b></p> <p style="text-align: center;"><b>REAR WHEEL</b></p> 	<p><b>F12-A</b></p> <p style="text-align: center;"><b>FUEL TANK (FOR FUEL EVAPORATION SYSTEM)</b></p> 
<p><b>F12-B</b></p> <p style="text-align: center;"><b>FUEL TANK (FOR NON FUEL EVAPORATION SYSTEM)</b></p> 	<p><b>F13-1-A</b></p> <p style="text-align: center;"><b>FRONT SEAT (NON HEATING EQUIPMENT)</b></p> 	<p><b>F13-1-B</b></p> <p style="text-align: center;"><b>SEAT (HEATING EQUIPMENT)</b></p> 

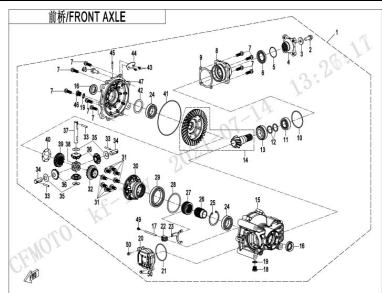
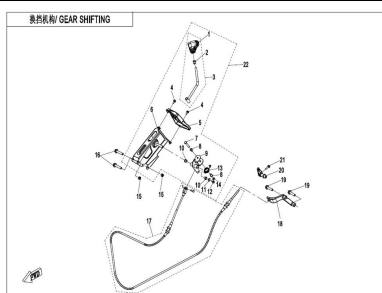
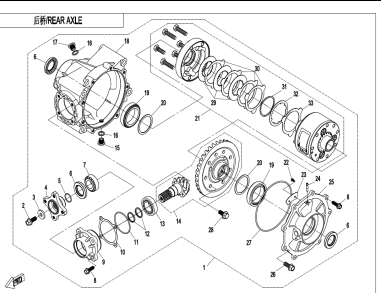
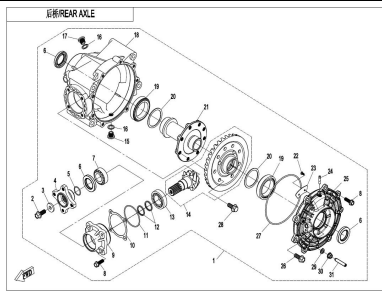
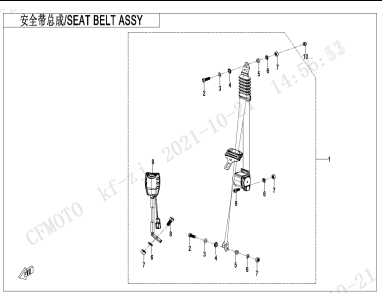
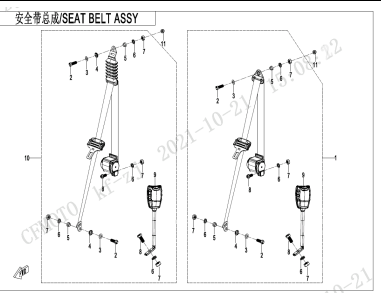
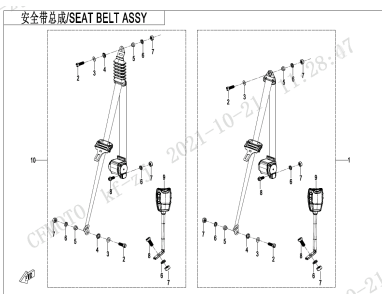
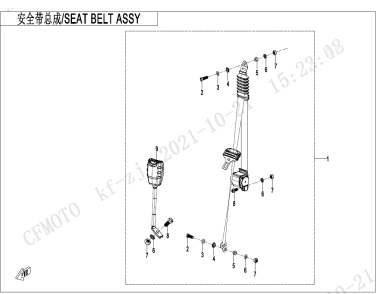
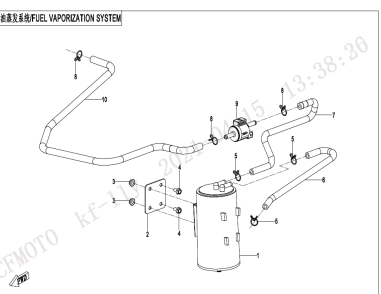


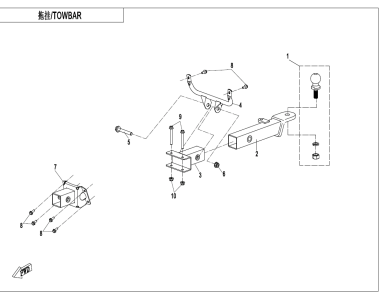
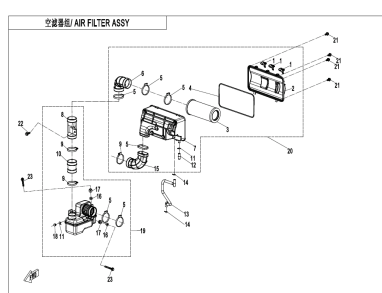
# CONTENTS—FRAME GROUP

<p><b>F13-2</b></p> <p style="text-align: center;"><b>REAR SEAT</b></p> 	<p><b>F15-1</b></p> <p style="text-align: center;"><b>ELECTRIC SYSTEM</b></p> 	<p><b>F15-2</b></p> <p style="text-align: center;"><b>TOWING WINCH</b></p> 
<p><b>F15-3</b></p> <p style="text-align: center;"><b>FUEL INJECTION SYSTEM</b></p> 	<p><b>F16</b></p> <p style="text-align: center;"><b>LIGHTS</b></p> 	<p><b>F17</b></p> <p style="text-align: center;"><b>DASHBOARD</b></p> 
<p><b>F18</b></p> <p style="text-align: center;"><b>COOLING SYSTEM</b></p> 	<p><b>F19-1-A</b></p> <p style="text-align: center;"><b>WARNING DECAL (NA)</b></p> 	<p><b>F19-1-B</b></p> <p style="text-align: center;"><b>WARNING DECAL (INTERNATIONAL)</b></p> 
<p><b>F19-1-C</b></p> <p style="text-align: center;"><b>WARNING DECAL (CA)</b></p> 	<p><b>F19-2-A</b></p> <p style="text-align: center;"><b>DECAL KITS (TWILIGHT BLUE)</b></p> 	<p><b>F19-2-B</b></p> <p style="text-align: center;"><b>SEAT (HEATING EQUIPMENT)</b></p> 

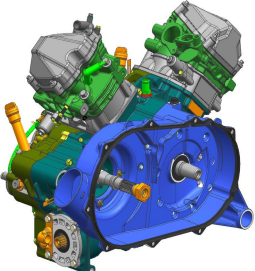
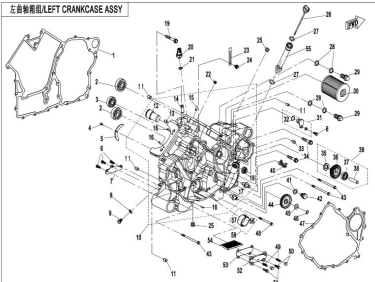
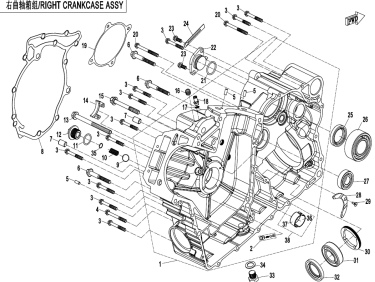
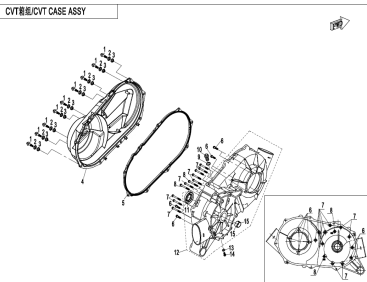
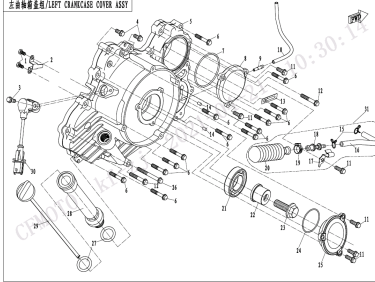
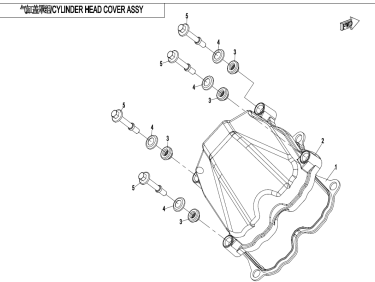
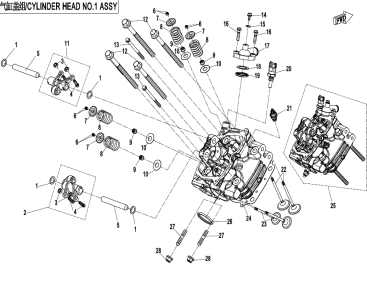
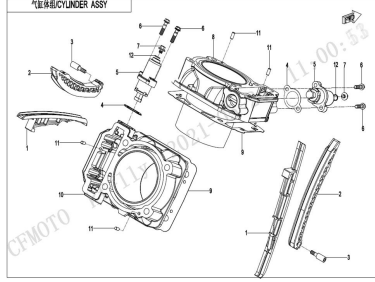
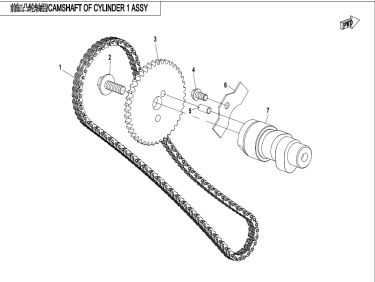
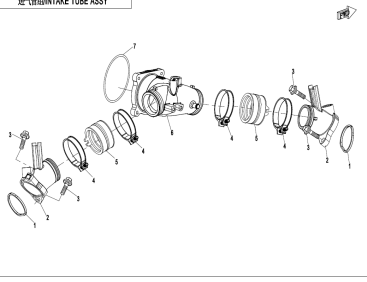
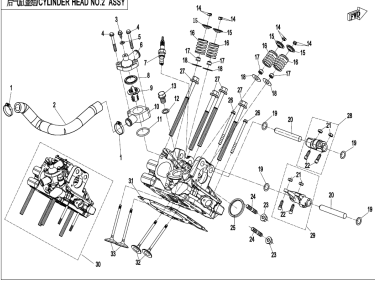
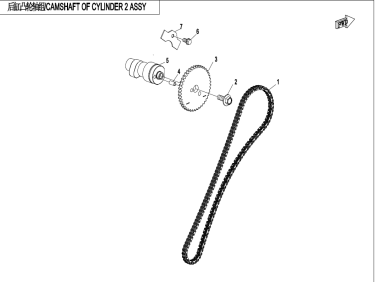
# CONTENTS—FRAME GROUP

<p><b>F19-2-C</b></p> <p style="text-align: center;"><b>DECAL KITS (TRUE TIMBER CAMO)</b></p> 	<p><b>F19-3</b></p> <p style="text-align: center;"><b>FRONT REFLECTOR</b></p> 	<p><b>F20</b></p> <p style="text-align: center;"><b>TOOLS</b></p> 
<p><b>F22-1</b></p> <p style="text-align: center;"><b>CARGO BOX</b></p> 	<p><b>F22-2</b></p> <p style="text-align: center;"><b>CARGO BOX</b></p> 	<p><b>F23</b></p> <p style="text-align: center;"><b>BUMPER</b></p> 
<p><b>F26-1</b></p> <p style="text-align: center;"><b>BODY ACCESSORIES</b></p> 	<p><b>F26-2</b></p> <p style="text-align: center;"><b>BODY ACCESSORIES</b></p> 	<p><b>F26-3</b></p> <p style="text-align: center;"><b>BODY ACCESSORIES</b></p> 
<p><b>F27</b></p> <p style="text-align: center;"><b>FRONT CV SHAFT</b></p> 	<p><b>F28</b></p> <p style="text-align: center;"><b>REAR CV SHAFT</b></p> 	<p><b>F30</b></p> <p style="text-align: center;"><b>DRIVE TRAIN SYSTEM</b></p> 

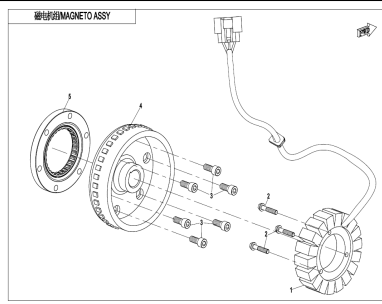
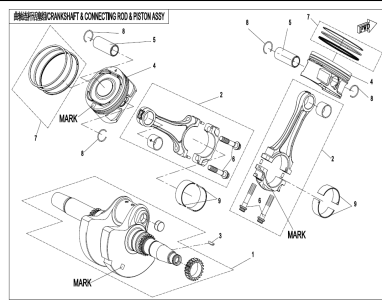
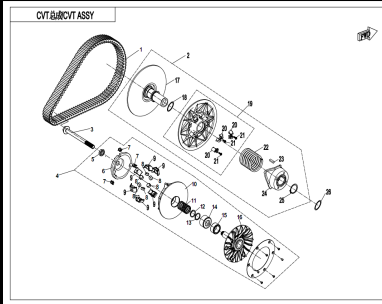
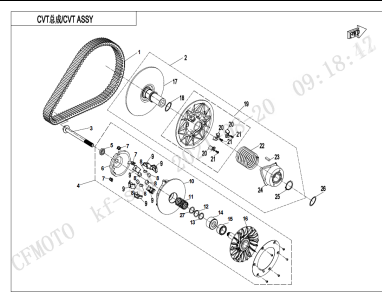
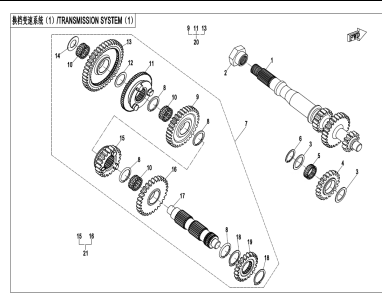
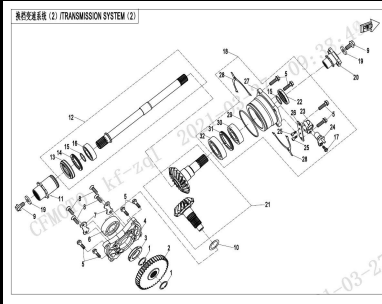
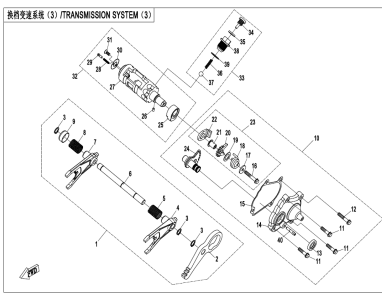
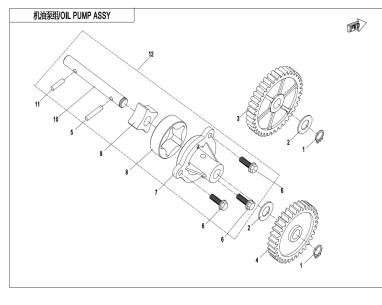
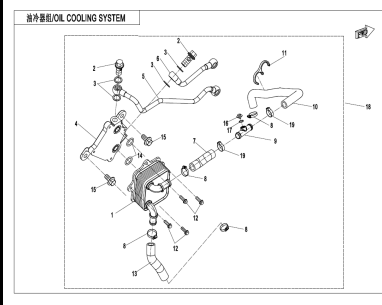
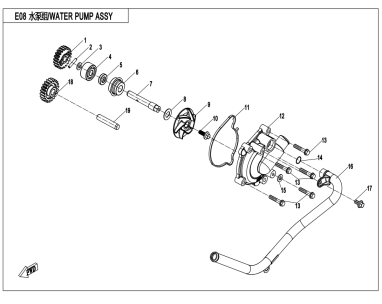
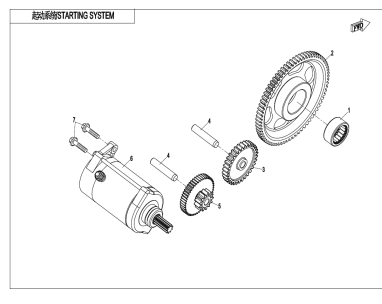
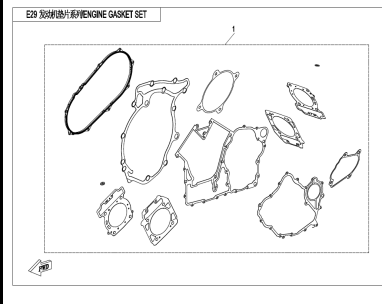
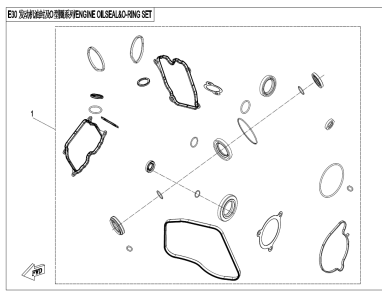
# CONTENTS—FRAME GROUP

<p><b>F31</b></p> <p style="text-align: center;">FRONT AXLE</p> <p style="text-align: center;">前轴/FRONT AXLE</p> 	<p><b>F32</b></p> <p style="text-align: center;">GEAR SHIFTING</p> <p style="text-align: center;">换挡机构/GEAR SHIFTING</p> 	<p><b>F33-A</b></p> <p style="text-align: center;">REAR AXLE (AUTOMATIC LOCK DIFFERENTIAL)</p> <p style="text-align: center;">后轴/REAR AXLE</p> 
<p><b>F33-B</b></p> <p style="text-align: center;">REAR AXLE (NO DIFFERENTIAL)</p> <p style="text-align: center;">后轴/REAR AXLE</p> 	<p><b>F34-1</b></p> <p style="text-align: center;">SEAT BELT ASSY (FRONT SEAT)</p> <p style="text-align: center;">安全带总成/SEAT BELT ASSY</p> 	<p><b>F34-2</b></p> <p style="text-align: center;">SEAT BELT ASSY (FRONT SEAT)</p> <p style="text-align: center;">安全带总成/SEAT BELT ASSY</p> 
<p><b>F34-3</b></p> <p style="text-align: center;">SEAT BELT ASSY (BACK SEAT)</p> <p style="text-align: center;">安全带总成/SEAT BELT ASSY</p> 	<p><b>F34-4</b></p> <p style="text-align: center;">SEAT BELT ASSY (BACK SEAT)</p> <p style="text-align: center;">安全带总成/SEAT BELT ASSY</p> 	<p><b>F36</b></p> <p style="text-align: center;">FUEL EVAPORATION SYSTEM</p> <p style="text-align: center;">燃油蒸发系统/FUEL VAPORIZATION SYSTEM</p> 
<p><b>F38-A</b></p> <p style="text-align: center;">OWNER'S MANUAL (NA)</p> 	<p><b>F38-B</b></p> <p style="text-align: center;">OWNER'S MANUAL (NA)</p> 	<p><b>F40</b></p> <p style="text-align: center;">TOWBAR (TRAILER REINFORCEMENT EQUIPMENT)</p> <p style="text-align: center;">拖杆/TOWBAR</p> 
<p><b>F41</b></p> <p style="text-align: center;">AIR FILTER ASSY</p> <p style="text-align: center;">空滤器组/AIR FILTER ASSY</p> 		

# CONTENTS—ENGINE GROUP

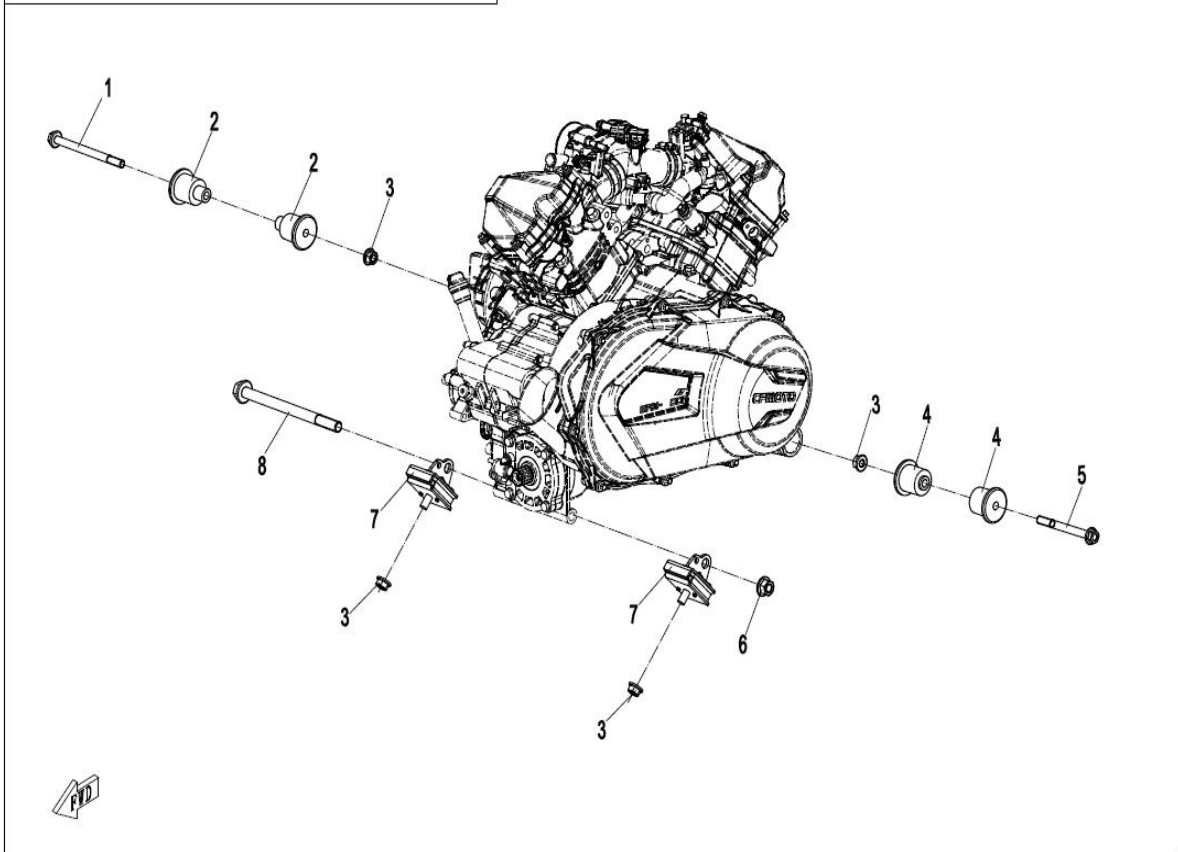
<p><b>E00</b></p> <p style="text-align: center;"><b>LONG BLOCK</b></p> 	<p><b>E01-1</b></p> <p style="text-align: center;"><b>LEFT CRANKCASE ASSY</b></p> <p style="text-align: center;">左曲轴箱组/LEFT CRANKCASE ASSY</p> 	<p><b>E01-2-B-V2</b></p> <p style="text-align: center;"><b>RIGHT CRANKCASE ASSY</b></p> <p style="text-align: center;">右曲轴箱组/RIGHT CRANKCASE ASSY</p> 
<p><b>E01-3</b></p> <p style="text-align: center;"><b>CVT CASE ASSY.</b></p> <p style="text-align: center;">CVT组/ CVT CASE ASSY</p> 	<p><b>E01-4-V2</b></p> <p style="text-align: center;"><b>LEFT CRANKCASE COVER ASSY</b></p> <p style="text-align: center;">左曲轴箱盖组/LEFT CRANKCASE COVER ASSY</p> 	<p><b>E02-1</b></p> <p style="text-align: center;"><b>CYLINDER HEAD COVER ASSY</b></p> <p style="text-align: center;">气缸盖罩/CYLINDER HEAD COVER ASSY</p> 
<p><b>E02-2</b></p> <p style="text-align: center;"><b>CYLINDER HEAD NO.1 ASSY</b></p> <p style="text-align: center;">气缸盖/CYLINDER HEAD NO.1 ASSY</p> 	<p><b>E02-3-V2</b></p> <p style="text-align: center;"><b>CYLINDER BODY ASSY</b></p> <p style="text-align: center;">气缸体/CYLINDER ASSY</p> 	<p><b>E02-4</b></p> <p style="text-align: center;"><b>CAMSHAFT OF CYLINDER 1 ASSY</b></p> <p style="text-align: center;">气缸凸轮/CAMSHAFT OF CYLINDER 1 ASSY</p> 
<p><b>E02-5</b></p> <p style="text-align: center;"><b>INTAKE MANIFOLD ASSY</b></p> <p style="text-align: center;">进气歧管/INTAKE TUBE ASSY</p> 	<p><b>E02-6</b></p> <p style="text-align: center;"><b>CYLINDER HEAD NO.2 ASSY</b></p> <p style="text-align: center;">气缸盖/CYLINDER HEAD NO.2 ASSY</p> 	<p><b>E02-7</b></p> <p style="text-align: center;"><b>CAMSHAFT OF CYLINDER 2 ASSY</b></p> <p style="text-align: center;">气缸凸轮/CAMSHAFT OF CYLINDER 2 ASSY</p> 

# CONTENTS—ENGINE GROUP

<p><b>E03-V2</b> MAGNETO ASSY.(EPS)</p> 	<p><b>E04-V2</b> CRANKSHAFT &amp; CONNECTING ROD &amp; PISTON ASSY</p> 	<p><b>E05-V2</b> CVT ASSY(NO SPEED LIMITED,16g WEIGHT ROLLER)</p> 
<p><b>E05-C</b> CVT ASSY (FOR ELECTRONIC DOWNHILL BRAKING)</p> 	<p><b>E06-1-V2</b> TRANSMISSION SYSTEM(1)</p> 	<p><b>E06-2-V5</b> TRANSMISSION SYSTEM(2)</p> 
<p><b>E06-3-V4</b> TRANSMISSION SYSTEM(3)</p> 	<p><b>E07-1</b> OIL PUMP ASSY</p> 	<p><b>E07-2-V4</b> OIL COOLING SYSTEM</p> 
<p><b>E08</b> WATER PUMP ASSY.</p> 	<p><b>E09</b> STARTING SYSTEM</p> 	<p><b>E29</b> ENGINE GASKET SET</p> 
<p><b>E30</b> ENGINE OIL SEAL &amp; O-RING SET</p> 		

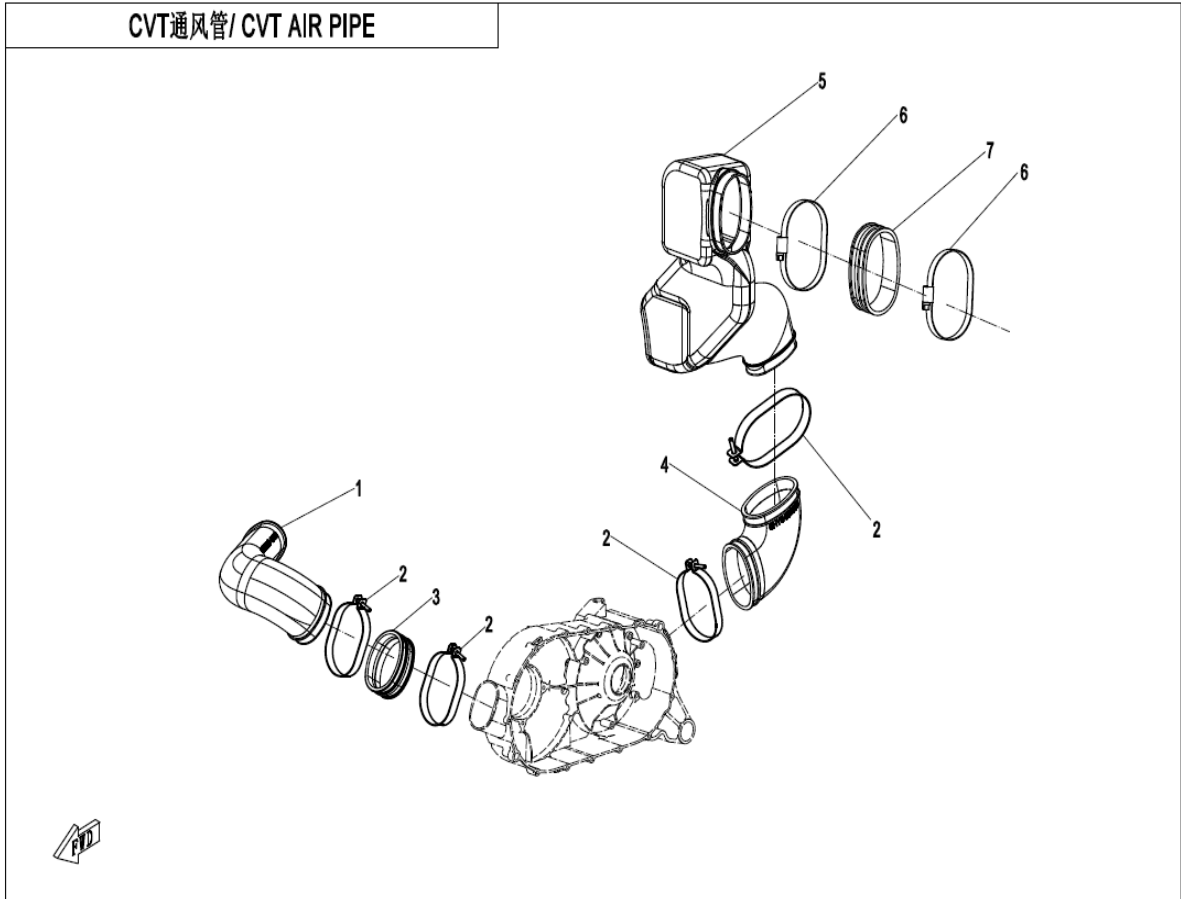


发动机装配组合/ ENGINE MOUNTING PARTS



F00-1 ENGINE MOUNTING PARTS

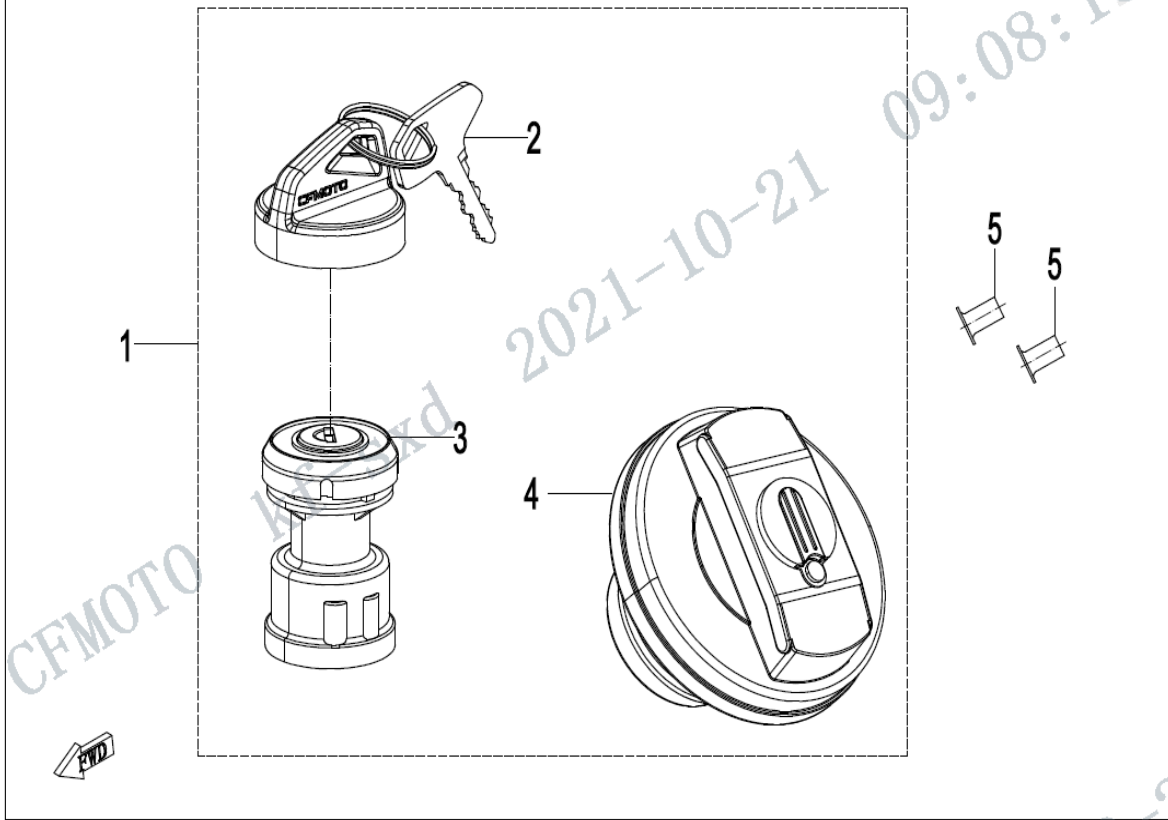
Item No.	Parts Number	Parts Name(EN)	Qty	Specification
01	30006-102130810	BOLT M10x1.25x130	1	M10x1.25x130
02	7020-000110	LH CUSHION COLLAR, ENGINE	2	
03	30204-102810	NUT M10x1.25	4	M10x1.25
04	7020-000120	RH CUSHION BUSHING, ENGINE	2	
05	30006-102100810	BOLT M10x1.25x100	1	M10x1.25x100
06	30204-122810	NUT M12x1.25	1	M12x1.25
07	401B-000200-10000	DAMPER	2	
07	9DQV-000300-3000		2	55HA
08	7030-000401	FRONT MOUNT SHAFT, ENGINE	1	



### F00-2 CVT AIR PIPE&SIDE COVER

Item No.	Parts Number	Parts Name(EN)	Qty	Specification
01	5HY0-002003	AIR OUTLET PIPE, CVT	1	
02	9010-000105	A-TYPE SCREW CLAMP 78-101	4	78-101
03	5HY0-002004	CONNECTOR, CVT AIR OUTLET PIPE	1	
04	5HY0-002002	CONNECTOR, CVT AIR INLET PIPE	1	
05	5HY#-002001-1000	AIR INLET PIPE, CVT	1	
06	30604-301300	CLAMP	2	
07	5HY0-002102	CONNECTOR, AIR INLET PORT	1	

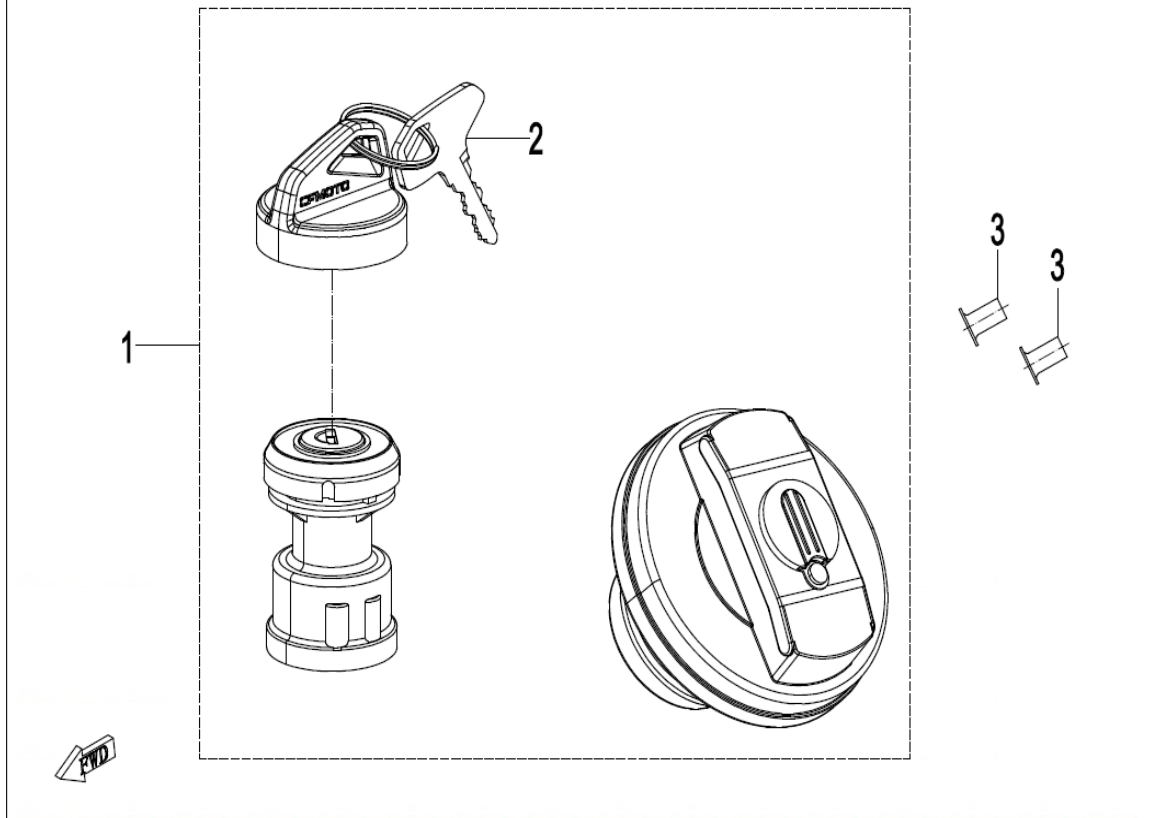
锁具/LOCK KIT



F01-A-V1 LOCK KIT (FUEL TANK CAP WITH KEYHOLE)

Item No.	Parts Number	Parts Name(EN)	Qty	Specification
01	5HYV-011000-1C00	LOCK KIT	1	
02	5ASV-011070-6000	BLANK KEY	1	
03	5ASV-010110-6000	POWER LOCK	1	
04	7020-010120	CAP, FUEL TANK	1	
05	30107-060012410	SCREW M6x12	2	M6x12

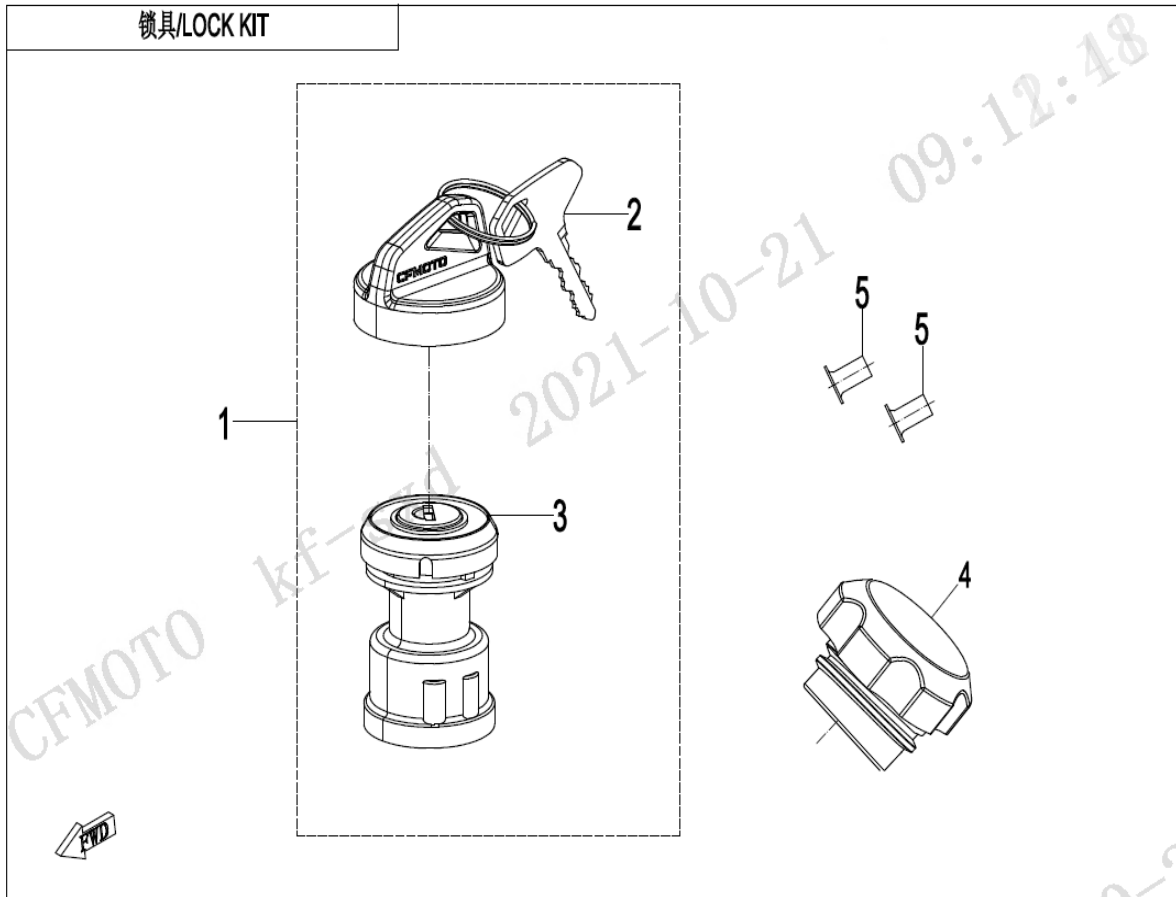
锁具/LOCK KIT



F01-A-V2 LOCK KIT (FUEL TANK CAP WITH KEYHOLE)

Item No.	Parts Number	Parts Name(EN)	Qty	Specification
01	5HYV-011000-1C00	LOCK KIT	1	
01	5HYV-011000-1C01	LOCK KIT	1	
02	5ASV-011070-6000	BLANK KEY	1	
03	30107-060012410	SCREW M6x12	2	M6x12

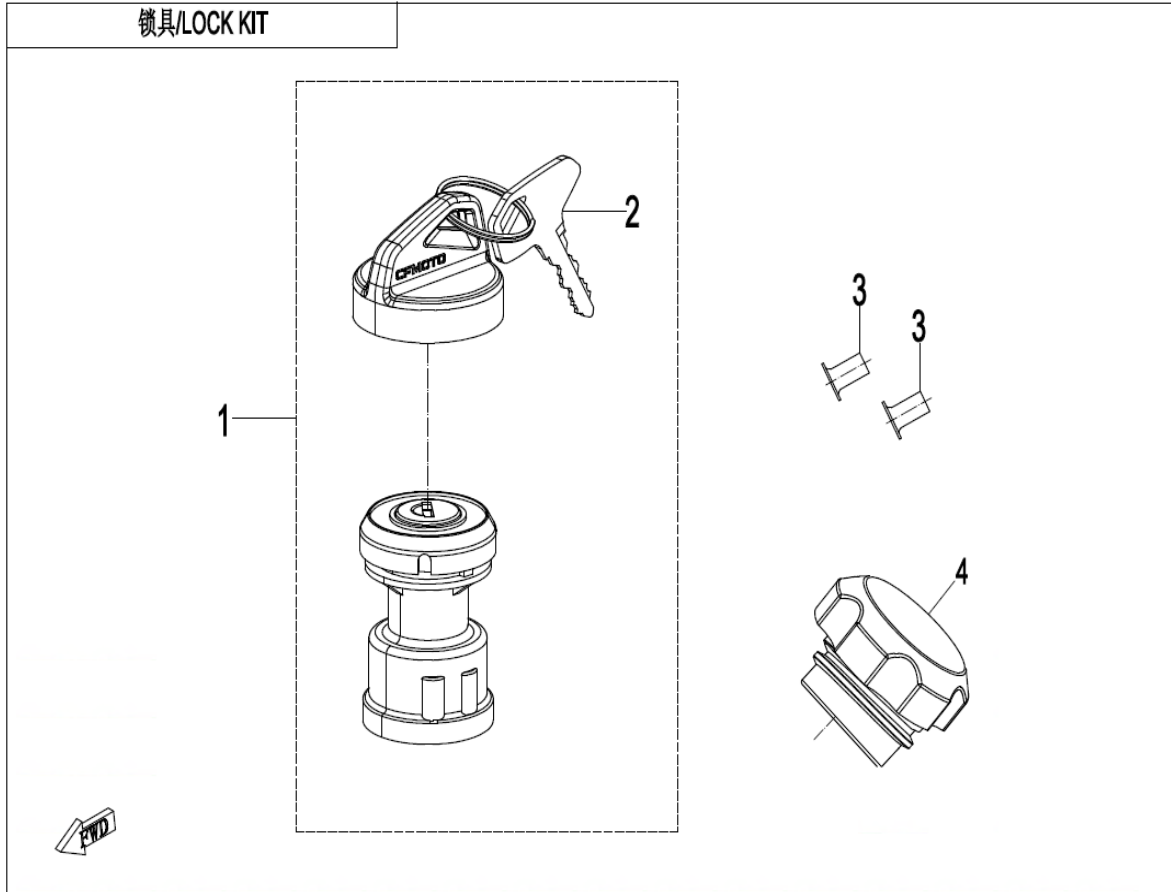
锁具/LOCK KIT



F01-B-V1 LOCK KIT (FUEL TANK CAP WITHOUT KEYHOLE)

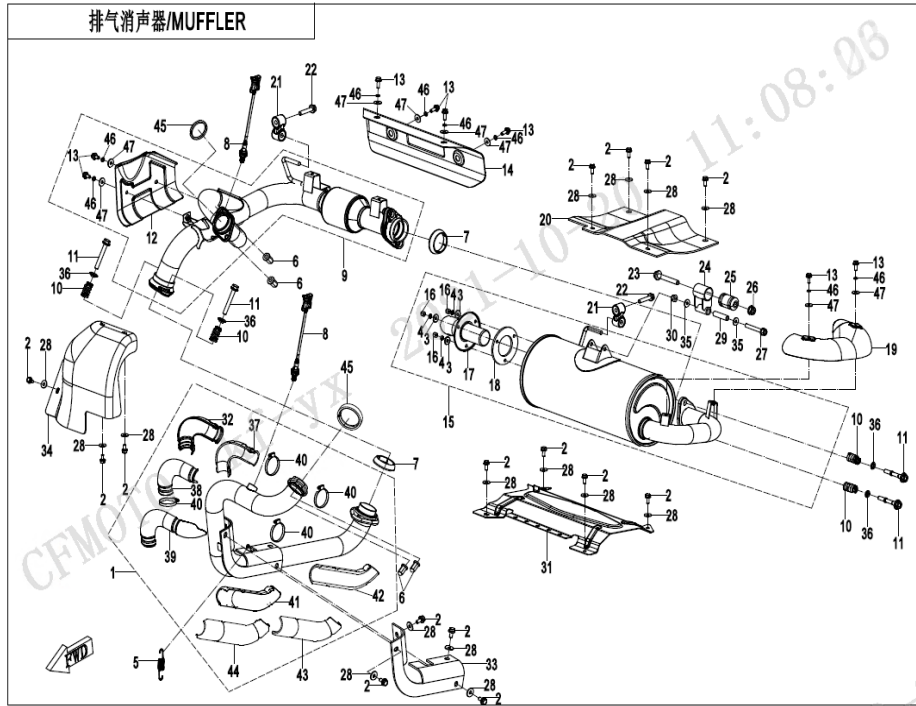
Item No.	Parts Number	Parts Name(EN)	Qty	Specification
01	5ASV-011000-6000	LOCK KIT	1	
02	5ASV-011070-6000	BLANK KEY	1	
03	5ASV-010110-6000	POWER LOCK	1	
04	9CR6-120300	CAP, FUEL TANK	1	
05	30107-060012410	SCREW M6x12	2	M6x12

锁具/LOCK KIT



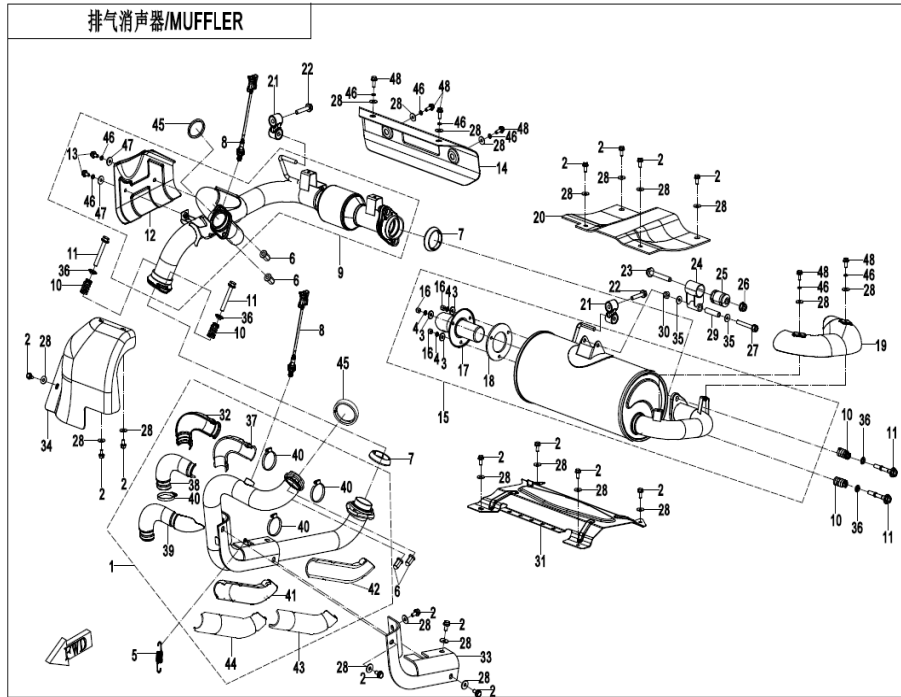
F01-B-V2 LOCK KIT (FUEL TANK CAP WITHOUT KEYHOLE)

Item No.	Parts Number	Parts Name(EN)	Qty	Specification
01	5ASV-011000-6000	LOCK KIT	1	
01	5ASV-011000-6001	LOCK KIT	1	
02	5ASV-011070-6000	BLANK KEY	1	
03	30107-060012410	SCREW M6x12	2	M6x12
04	9CR6-120300	CAP, FUEL TANK	1	



### F02-A-V1 MUFFLER (WITHOUT CATALYST)

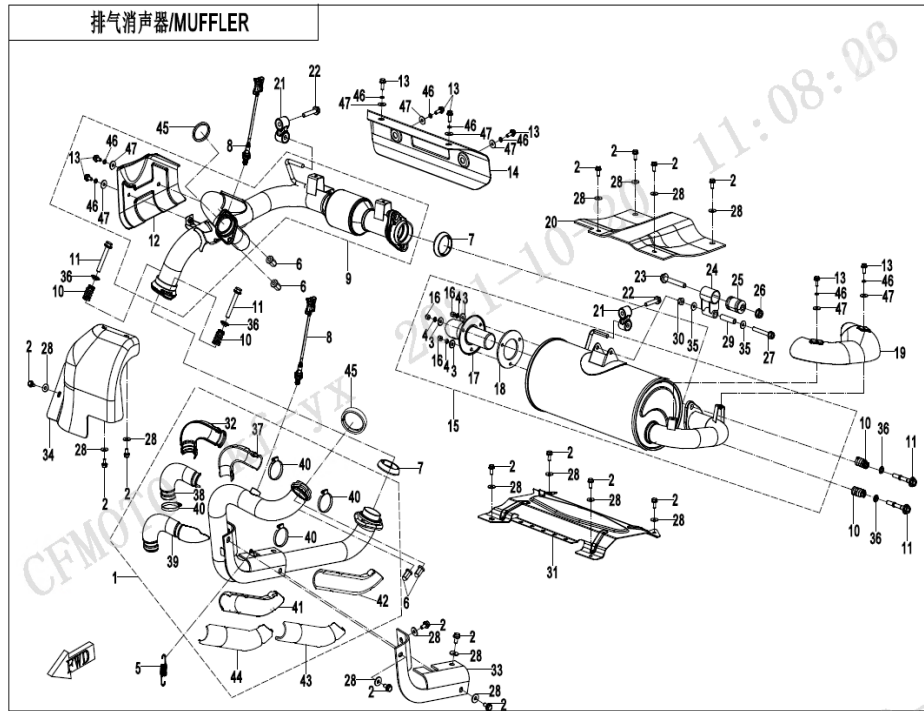
Item No.	Parts Number	Parts Name(EN)	Qty	Specification
01	5HY0-021100-20000	FRONT ELBOW PIPE ASSY	1	
02	30006-060012810	BOLT M6x12	15	M6x12
03	30306-060112	WASHER	3	6
04	30303-060010	WASHER	3	6
05	9030-020002	SPRING	1	
06	8010-020001	NUT M8, MUFFLER JOINT	4	M8
07	9AWA-021004-00001	GRAPHITE RING, BIG	2	
08	0HU0-176000	OXYGEN SENSOR	2	
09	5HYV-021200-2A00	REAR ELBOW PIPE ASSY	1	
10	9AWA-021001	SPRING, MUFFLER	4	
11	9AWA-021002-10000	BOLT M8x55	4	M8x55
12	5HY0-021201-20000	HEAT INSULATOR, REAR PIPE	1	
13	30000-060012700	BOLT	8	
14	5HY0-021202	REAR HEAT INSULATOR	1	
15	5HY0-021300-10000	MUFFLER BODY ASSY	1	
16	30206-060540	NUT M6	3	M6
17	5BY2-021400-10000	SPARK ARRESTOR	1	
18	5HY0-021302	SEAL GASKET	1	
19	5HY0-021301-10000	HEAT INSULATOR, MUFFLER EXHAUST PIPE	1	
20	5HY0-020001	HEAT INSULATION PLATE, UPPER	1	
21	7020-000160		2	
22	30006-080040810	BOLT M8x40	2	M8x40
23	30006-102070810	BOLT M10x1.25x70	1	M10x1.25x70
24	9CR6-020020	MOUNT ASSY, MUFFLER	1	
25	9010-050500	CUSHION SLEEVE	1	
26	30204-102810	NUT M10x1.25	1	M10x1.25
27	30006-080060810	BOLT M8x60	1	M8x60
28	30309-060900	WASHER	15	
29	7020-020001		1	
30	30204-080810	NUT M8	1	M8
31	5HY0-020004	HEAT INSULATION PLATE, REAR GEAR CASE	1	
32	5HY0-021101-10000	HEAT INSULATOR 1, FRONT ELBOW PIPE	1	
33	5HY0-020003	HEAT INSULATOR 2, EXHAUST PIPE	1	
34	5HY0-020002	FRONT HEAT SHIELD	1	
35	9CR6-020003	WIRE WASHER	2	
36	9AWA-021005	BUSHING	4	
37	5HY0-021102	HEAT INSULATOR 1, FRONT EXHAUST PIPE	1	
38	5HY0-021103	HEAT INSULATOR 2, FRONT EXHAUST PIPE	1	
39	5HY0-021104	HEAT INSULATION PLATE 2, EXHAUST PIPE	1	
40	9010-020007	A-TYPE SCREW CLAMP	4	50-70
41	5HY0-021105	HEAT INSULATOR 3, EXHAUST PIPE	1	
42	5HY0-021106	HEAT INSULATOR 3, EXHAUST PIPE	1	
43	5HY0-021107	HEAT INSULATOR 4, EXHAUST PIPE	1	
44	5HY0-021108	HEAT INSULATOR 4, EXHAUST PIPE	1	
45	0800-022300	BUSHING, EXHAUST PIPE	2	
46	30303-060900	WASHER	8	6
47	30309-0608D0	WASHER	8	6



### F02-A-V2 MUFFLER (WITHOUT CATALYST)

Item No.	Parts Number	Parts Name(EN)	Qty	Specification
01	5HY0-021100-20000	FRONT ELBOW PIPE ASSY	1	
02	30006-060012810	BOLT M6x12	15	M6x12
03	30306-060112	WASHER	3	6
04	30303-060010	WASHER	3	6
05	9030-020002	SPRING	1	
06	8010-020001	NUT M8, MUFFLER JOINT	4	M8
07	9AWA-021004-00001	GRAPHITE RING, BIG	2	
07	9AWA-021004-00002	GRAPHITE RING, BIG	2	
08	0HJ0-176000	OXYGEN SENSOR	2	
09	5HYV-021200-2A00	REAR ELBOW PIPE ASSY	1	
10	9AWA-021001	SPRING, MUFFLER	4	
11	9AWA-021002-10000	BOLT M8x55	4	M8x55
12	5HY0-021201-20000	HEAT INSULATOR, REAR PIPE	1	
13	30000-060012700	BOLT	2	
14	5HY0-021202	REAR HEAT INSULATOR	1	
15	5HY0-021300-10000	MUFFLER BODY ASSY	1	
16	30206-060540	NUT M6	3	M6
17	5BY2-021400-10000	SPARK ARRESTOR	1	
18	5HY0-021302	SEAL GASKET	1	
19	5HY0-021301-10000	HEAT INSULATOR, MUFFLER EXHAUST PIPE	1	
20	5HY0-020001	HEAT INSULATION PLATE, UPPER	1	
21	7020-000160		2	
22	30006-080040810	BOLT M8x40	2	M8x40
23	30006-102070810	BOLT M10x1.25x70	1	M10x1.25x70
24	9CR6-020020	MOUNT ASSY, MUFFLER	1	
25	9010-050500	CUSHION SLEEVE	1	
26	30204-102810	NUT M10x1.25	1	M10x1.25
27	30006-080060810	BOLT M8x60	1	M8x60
28	30309-060900	WASHER	21	
29	7020-020001		1	
30	30204-080810	NUT M8	1	M8
31	5HY0-020004	HEAT INSULATION PLATE, REAR GEAR CASE	1	
32	5HY0-021101-10000	HEAT INSULATOR 1, FRONT ELBOW PIPE	1	
33	5HY0-020003	HEAT INSULATOR 2, EXHAUST PIPE	1	
34	5HY0-020002	FRONT HEAT SHIELD	1	
35	9CR6-020003	WIRE WASHER	2	
36	9AWA-021005	BUSHING	4	
37	5HY0-021102	HEAT INSULATOR 1, FRONT EXHAUST PIPE	1	
38	5HY0-021103	HEAT INSULATOR 2, FRONT EXHAUST PIPE	1	
39	5HY0-021104	HEAT INSULATION PLATE 2, EXHAUST PIPE	1	
40	9010-020007	A-TYPE SCREW CLAMP	4	50-70
41	5HY0-021105	HEAT INSULATOR 3, EXHAUST PIPE	1	
42	5HY0-021106	HEAT INSULATOR 3, EXHAUST PIPE	1	
43	5HY0-021107	HEAT INSULATOR 4, EXHAUST PIPE	1	
44	5HY0-021108	HEAT INSULATOR 4, EXHAUST PIPE	1	
45	0800-022300	BUSHING, EXHAUST PIPE	2	
46	30303-060900	WASHER	8	6
47	30309-0608D0	WASHER	2	6
48	30006-060016810	BOLT M6x16	6	M6x16

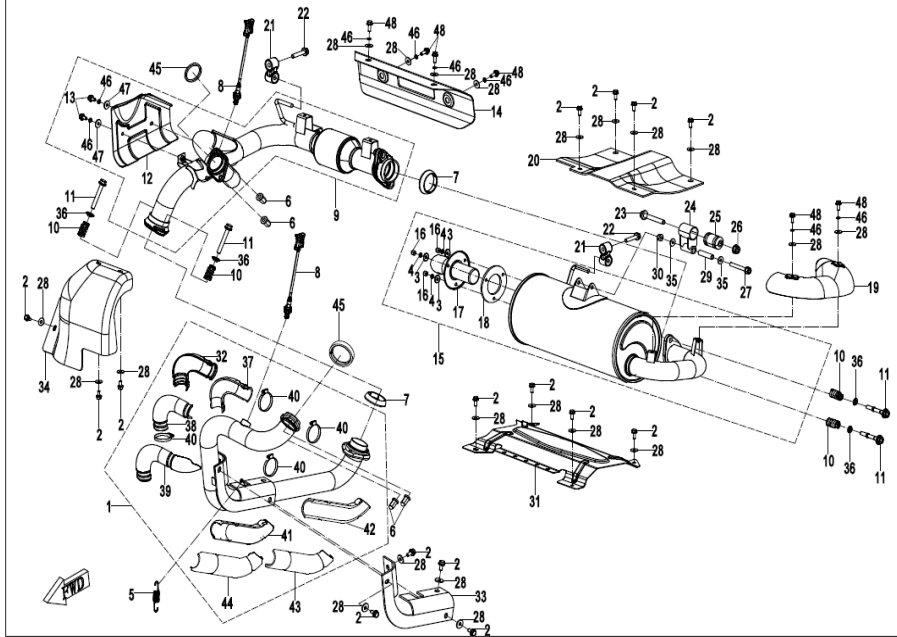




### F02-B-V MUFFLER

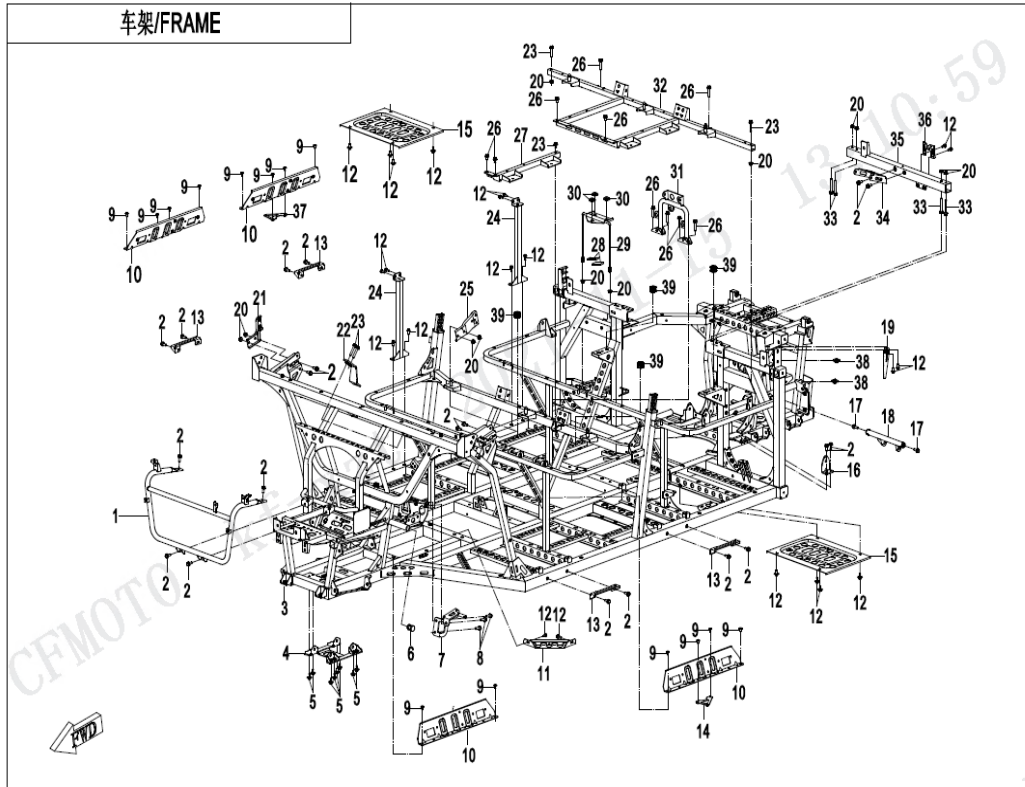
Item No.	Parts Number	Parts Name(EN)	Qty	Specification
01	5HY0-021100-20000	FRONT ELBOW PIPE ASSY	1	
02	30006-060012810	BOLT M6x12	15	M6x12
03	30306-060112	WASHER	3	6
04	30303-060010	WASHER	3	6
05	9030-020002	SPRING	1	
06	8010-020001	NUT M8, MUFFLER JOINT	4	M8
07	9AWA-021004-00001	GRAPHITE RING, BIG	2	
08	0HU0-176000	OXYGEN SENSOR	2	
09	5SYV-021200-6000	REAR ELBOW PIPE ASSY	1	
10	9AWA-021001	SPRING, MUFFLER	4	
11	9AWA-021002-10000	BOLT M8x55	4	M8x55
12	5HY0-021201-20000	HEAT INSULATOR, REAR PIPE	1	
13	30000-060012700	BOLT	8	
14	5HY0-021202	REAR HEAT INSULATOR	1	
15	5HY0-021300-10000	MUFFLER BODY ASSY	1	
16	30206-060540	NUT M6	3	M6
17	5BY2-021400-10000	SPARK ARRESTOR	1	
18	5HY0-021302	SEAL GASKET	1	
19	5HY0-021301-10000	HEAT INSULATOR, MUFFLER EXHAUST PIPE	1	
20	5HY0-020001	HEAT INSULATION PLATE, UPPER	1	
21	7020-000160		2	
22	30006-080040810	BOLT M8x40	2	M8x40
23	30006-102070810	BOLT M10x1.25x70	1	M10x1.25x70
24	9CR6-020020	MOUNT ASSY, MUFFLER	1	
25	9010-050500	CUSHION SLEEVE	1	
26	30204-102810	NUT M10x1.25	1	M10x1.25
27	30006-080060810	BOLT M8x60	1	M8x60
28	30309-060900	WASHER	15	
29	7020-020001		1	
30	30204-080810	NUT M8	1	M8
31	5HY0-020004	HEAT INSULATION PLATE, REAR GEAR CASE	1	
32	5HY0-021101-10000	HEAT INSULATOR 1, FRONT ELBOW PIPE	1	
33	5HY0-020003	HEAT INSULATOR 2, EXHAUST PIPE	1	
34	5HY0-020002	FRONT HEAT SHIELD	1	
35	9CR6-020003	WIRE WASHER	2	
36	9AWA-021005	BUSHING	4	
37	5HY0-021102	HEAT INSULATOR 1, FRONT EXHAUST PIPE	1	
38	5HY0-021103	HEAT INSULATOR 2, FRONT EXHAUST PIPE	1	
39	5HY0-021104	HEAT INSULATION PLATE 2, EXHAUST PIPE	1	
40	9010-020007	A-TYPE SCREW CLAMP	4	50-70
41	5HY0-021105	HEAT INSULATOR 3, EXHAUST PIPE	1	
42	5HY0-021106	HEAT INSULATOR 3, EXHAUST PIPE	1	
43	5HY0-021107	HEAT INSULATOR 4, EXHAUST PIPE	1	
44	5HY0-021108	HEAT INSULATOR 4, EXHAUST PIPE	1	
45	0800-022300	BUSHING, EXHAUST PIPE	2	
46	30303-060900	WASHER	8	6
47	30309-0608D0	WASHER	8	6

排气消声器/MUFFLER



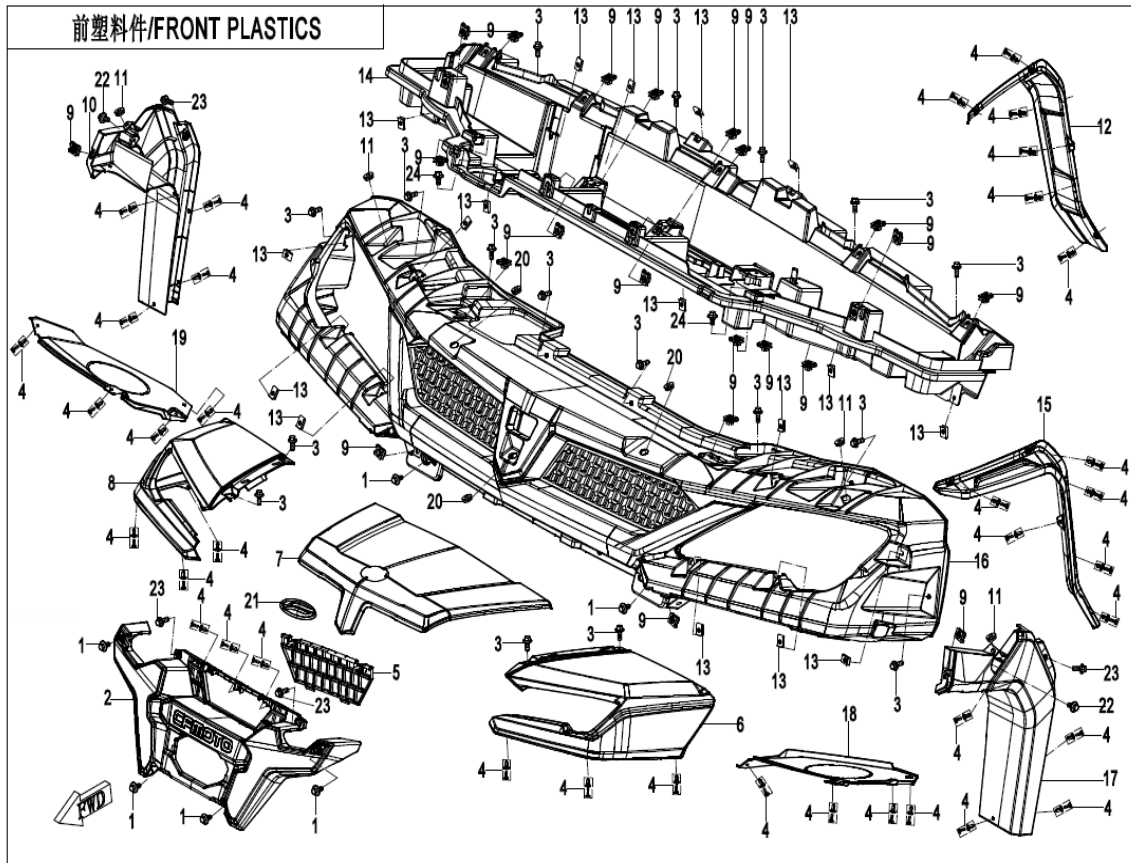
F02-B-V2 MUFFLER

Item No.	Parts Number	Parts Name(EN)	Qty	Specification
01	5HYO-021100-20000	FRONT ELBOW PIPE ASSY	1	
02	30006-060012810	BOLT M6x12	15	M6x12
03	30306-060112	WASHER	3	6
04	30303-060010	WASHER	3	6
05	9030-020002	SPRING	1	
06	8010-020001	NUT M8, MUFFLER JOINT	4	M8
07	9AWA-021004-00001	GRAPHITE RING, BIG	2	
08	0HU0-176000	OXYGEN SENSOR	2	
09	5SYV-021200-6000	REAR ELBOW PIPE ASSY	1	
10	9AWA-021001	SPRING, MUFFLER	4	
11	9AWA-021002-10000	BOLT M8x55	4	M8x55
12	5HYO-021201-20000	HEAT INSULATOR, REAR PIPE	1	
13	30000-060012700	BOLT	2	
14	5HYO-021202	REAR HEAT INSULATOR	1	
15	5HYO-021300-10000	MUFFLER BODY ASSY	1	
16	30206-060540	NUT M6	3	M6
17	5BY2-021400-10000	SPARK ARRESTOR	1	
18	5HYO-021302	SEAL GASKET	1	
19	5HYO-021301-10000	HEAT INSULATOR, MUFFLER EXHAUST PIPE	1	
20	5HYO-020001	HEAT INSULATION PLATE, UPPER	1	
21	7020-000160		2	
22	30006-080040810	BOLT M8x40	2	M8x40
23	30006-102070810	BOLT M10x1.25x70	1	M10x1.25x70
24	9CR6-020020	MOUNT ASSY, MUFFLER	1	
25	9010-050500	CUSHION SLEEVE	1	
26	30204-102810	NUT M10x1.25	1	M10x1.25
27	30006-080060810	BOLT M8x60	1	M8x60
28	30309-060900	WASHER	21	
29	7020-020001		1	
30	30204-080810	NUT M8	1	M8
31	5HYO-020004	HEAT INSULATION PLATE, REAR GEAR CASE	1	
32	5HYO-021101-10000	HEAT INSULATOR 1, FRONT ELBOW PIPE	1	
33	5HYO-020003	HEAT INSULATOR 2, EXHAUST PIPE	1	
34	5HYO-020002	FRONT HEAT SHIELD	1	
35	9CR6-020003	WIRE WASHER	2	
36	9AWA-021005	BUSHING	4	
37	5HYO-021102	HEAT INSULATOR 1, FRONT EXHAUST PIPE	1	
38	5HYO-021103	HEAT INSULATOR 2, FRONT EXHAUST PIPE	1	
39	5HYO-021104	HEAT INSULATION PLATE 2, EXHAUST PIPE	1	
40	9010-020007	A-TYPE SCREW CLAMP	4	50-70
41	5HYO-021105	HEAT INSULATOR 3, EXHAUST PIPE	1	
42	5HYO-021106	HEAT INSULATOR 3, EXHAUST PIPE	1	
43	5HYO-021107	HEAT INSULATOR 4, EXHAUST PIPE	1	
44	5HYO-021108	HEAT INSULATOR 4, EXHAUST PIPE	1	
45	0800-022300	BUSHING, EXHAUST PIPE	2	
46	30303-060900	WASHER	8	6
47	30309-0608D0	WASHER	2	6
48	30006-060016810	BOLT M6x16	6	M6x16



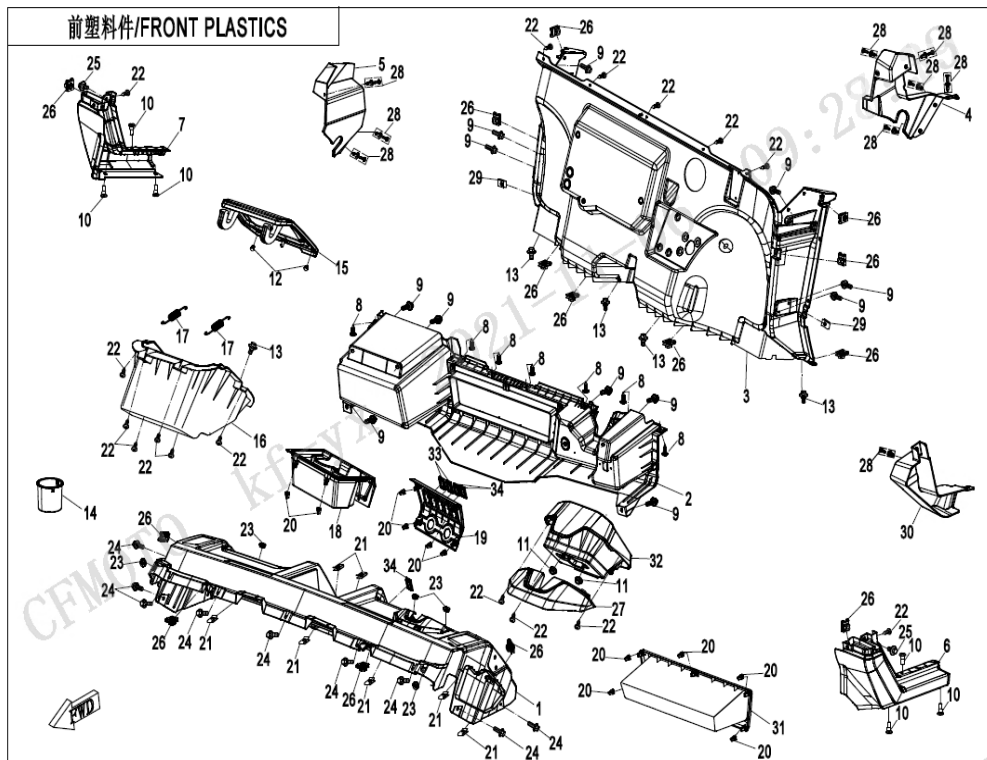
### F03 FRAME

Item No.	Parts Number	Parts Name(EN)	Qty	Specification
1	5HY0-030100-10000	PROTECTION PIPE, RESERVOIR	1	ELECTROPHORESIS BLACK
2	30006-080020810	BOLT M8x20	20	M8x20
3	5SYV-031000-6000-01	MAIN FRAME ASSY	1	
3	5SYV-031000-6001-01	FRAME ASSY	1	
3	5SYV-031000-6002-01	FRAME ASSY	1	
4	5HY0-030600	BRACKET, FRONT GEAR CASE	1	
5	30006-080016810	BOLT M8x16	8	M8x16
6	9CR6-230001	PLUG, REAR BUMPER	1	
7	5HY0-030300	FIXED BRACKET, BRAKE PADEL	1	
8	30006-080025810	BOLT	3	M8x25
9	A010-120003	BOLT M6x16	12	M6x16
10	5HY0-030070-10000	ACCESSORY BRACKET	4	
11	5HY0-030004	PANEL, CABLE	1	
12	30006-060016810	BOLT M6x16	22	M6x16
13	5HY0-030003	SUPPORT, FOOTREST	4	
14	5SYV-030010-6000	LH BRACKET, PEDAL PLATE	1	ELECTROPHORESIS
15	5HY0-030090	PANEL, FUEL TANK	2	
16	5HY0-030001	REAR JOINT PLATE,ENGINE	1	
17	30006-102020810	BOLT M10x1.25x20	2	M10x1.25x20
18	5HY0-030040	MOUNT FRAME, REAR GEAR CASE	1	ELECTROPHORESIS BLACK
19	5HY0-030410	MOUNT SEAT, REGULATOR	1	
20	30204-080810	NUT M8	12	M8
21	5HY0-030430	MOUNT SEAT, RH LOCK HOOK	1	
22	5HY0-030450	BRACKET, GEAR SHIFTING LINE	1	
23	30006-080040810	BOLT M8x40	5	M8x40
24	5HY0-030440	SUPPORTER, SEAT	2	ELECTROPHORESIS BLACK
25	5HY0-030420	MOUNT SEAT, lh LOCK HOOK	1	
26	30006-080014810	BOLT M8x14	10	M8x14
27	5SYV-030030-6000	FRONT SEAT BRACKET	1	ELECTROPHORESIS BLACK
28	9010-120008	SPONGE PAD, FUEL TANK	2	
29	7000-031820	PRESS PLATE, BATTERY	1	
30	9010-030005	RUBBER WASHER, BATTERY	3	
31	5SYV-030040-6000	MIDDLE BACKREST, FRONT SEAT	1	ELECTROPHORESIS BLACK
32	5HY0-030200-20000	BRACKET, SEAT	1	ELECTROPHORESIS BLACK
33	30006-080060810	BOLT M8x60	4	M8x60
34	5HY0-030053	MOUNT PLATE	1	
35	5HY0-030500-10000	REINFORCEMENT PIPE	1	ELECTROPHORESIS BLACK
36	5HY0-030060	MOUNT SEAT, IGNITION COIL	1	
37	5SYV-030020-6000	RH BRACKET, PEDAL PLATE	1	ELECTROPHORESIS
38	8030-040800-00001	NUT CLIP M6	2	M6
39	5020-031001	RUBBER SLEEVE, FRONT LICENSE BRACKET	4	



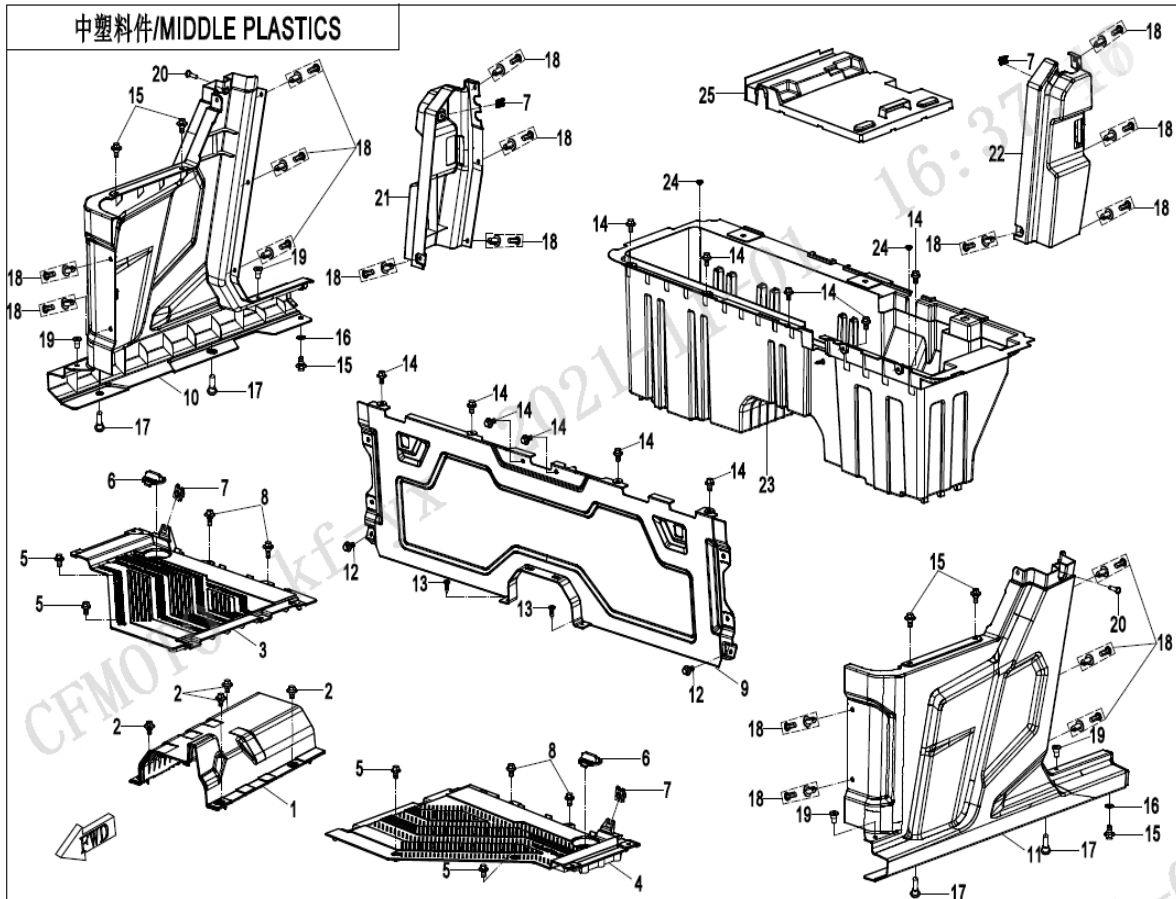
### F04-1 FRONT PLASTICS

Item No.	Parts Number	Parts Name(EN)	Qty	Specification
1	5HY#-040001-1000	BOLT M6x14	6	
2	5HYV-041011-1C00	PANEL, FRONT BUMPER	1	
3	30006-060016810	BOLT M6x16	17	M6x16
4	9060-040310	PLASTIC CLIPS	37	
5	5HY0-041012	DECO GRID	1	
6	5HY0-041041-0HD00	FRONT LH TOP COVER	1	GALAXY GREY
6	5HY0-041041-0RE00	FRONT LH TOP COVER	1	TRUE TIMBER CAMO
6	5HY0-041041-0ET00	FRONT LH TOP COVER	1	TWILIGHT BLUE
7	5HYV-041042-1C00-0ET00	FRONT TOP COVER	1	TWILIGHT BLUE
7	5HYV-041042-1C00-0HD00	FRONT TOP COVER	1	GALAXY GREY
7	5HYV-041042-1C00-0RE00	FRONT TOP COVER	1	TRUE TIMBER CAMO
8	5HY0-041043-0ET00	FRONT RH TOP COVER	1	TWILIGHT BLUE
8	5HY0-041043-0HD00	FRONT RH TOP COVER	1	GALAXY GREY
8	5HY0-041043-0RE00	FRONT RH TOP COVER	1	TRUE TIMBER CAMO
9	8030-040800-00001	NUT CLIP M6	21	M6
10	5HY#-041052-1010	FRONT RH DECO PLATE	1	
11	5BY0-040010	RUBBER SLEEVE	4	
12	5HY0-041062	WIDEN RH FRONT FENDER	1	
13	5020-040049	CLAMP ST4.8	17	ST4.8
14	5HYV-041031-1001	FRONT INNER LOCK PLATE	1	
15	5HY0-041061	WIDEN LH FRONT FENDER	1	
16	5HYV-041021-1C00	HEADLIGHT PANEL	1	
17	5HY#-041051-1010	FRONT LH DECO PLATE	1	LEATHER PATTERN
18	5HY0-041022	GUARD, LH HEADLIGHT	1	
19	5HY0-041023	GUARD, RH HEADLIGHT	1	
20	5HY#-130002-1000	BACKREST DAMPING MAT	3	
21	5ASV-190001-6000	CFMOTO LOGO	1	
22	8010-000004	BOLT M6x14	2	M6x14
23	30006-060016870	BOLT M6x16	4	M6x16
24	5HY#-040002-1000	BOLT M6x17	2	



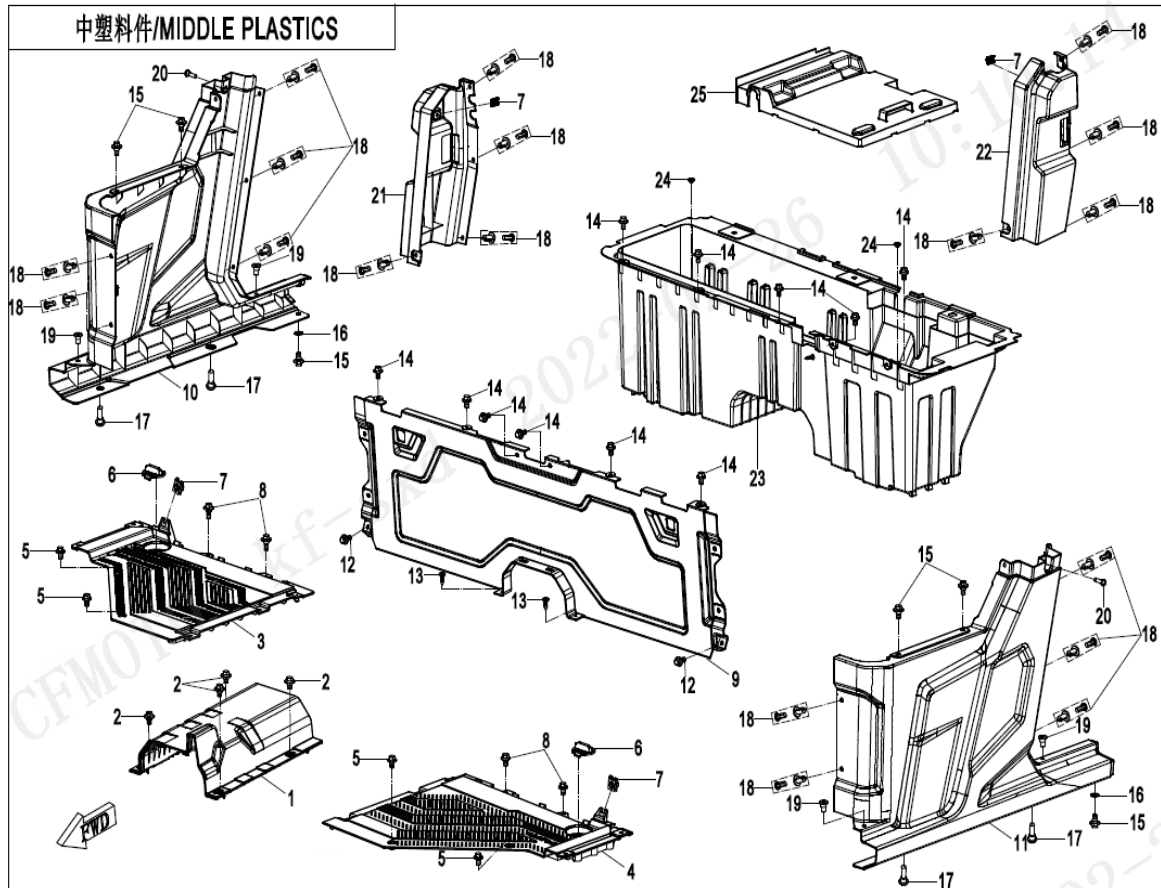
### F04-2 FRONT PLASTICS

Item No.	Parts Number	Parts Name(EN)	Qty	Specification
1	5HYV-043011-1C00	UPPER BODY, DASHBOARD	1	
2	5HYO-043031	DASHBOARD PANEL, LOWER	1	
3	5HYO-043041	FRONT FENDER	1	
3	5HYV-043041-1C00	FRONT FENDER	1	
4	5HYO-043042	FRONT INNER FENDER, LH	1	
4	5HYV-043042-1000	LH FRONT INNER FENDER	1	
5	5HYO-043043	FRONT INNER FENDER, RH	1	
6	5HY#-041053-1000	FRONT LH SIDE PANEL	1	
7	5HY#-041054-1000	FRONT RH SIDE PANEL	1	
8	30110-480160070	SELF-TAPPING SCREW	7	
9	30006-060016870	BOLT M6x16	12	M6x16
10	6NQ#-000202-6001	BOLT	6	
11	30202-060110	NUT M6	2	M6
12	5HYV-040003-1000	RUBBER MAT	2	
13	5HY#-040001-1000	BOLT M6x14	5	
14	5HYO-043012	HOLDER	1	
15	5HYV-043013-1C00	STORAGE BOX COVER	1	
16	5HYO-043014	STORAGE BOX COVER	1	
17	5HYO-043015	SPRING	2	
18	5HYO-043016-00001	STORAGE BOX	1	
19	5HYV-043017-1C00	SWITCH PANEL	1	
20	8080-000001	CLASP	11	
21	8010-000002	CLAMP ST4.2	7	ST4.2
22	30110-480160010	SELF-TAPPING SCREW ST4.8x16	16	ST4.8x16
23	5BYO-040010	RUBBER SLEEVE	5	
24	30006-060016810	BOLT M6x16	9	M6x16
25	8010-000004	BOLT M6x14	2	M6x14
26	8030-040800-00001	NUT CLIP M6	14	M6
27	5HYO-043092	DECO COVER, DASHBOARD	1	
28	9060-040310	PLASTIC CLIPS	9	
29	8080-000002	CLIP NUT ST4.8	2	ST4.8
30	5HYO-043044	FRONT INNER FENDER	1	
30	5HYV-043044-1000	FRONT INNER FENDER	1	
31	5HYO-043033	GLOVE BOX	1	
32	5HYV-043091-1C00-0ET00	COVER, DASHBOARD	1	TWILIGHT BLUE
32	5HYV-043091-1C00-0HD00	COVER, DASHBOARD	1	GALAXY GREY
32	5HYV-043091-1C00-0RE00	COVER, DASHBOARD	1	TRUE TIMBER CAMO
33	5ASV-152100-6000	SWITCH HOLE COVER	2	
34	5ASV-152200-6001	SWITCH HOLE COVER	3	6 PIN



## F04-3-V1 MIDDLE PLASTICS

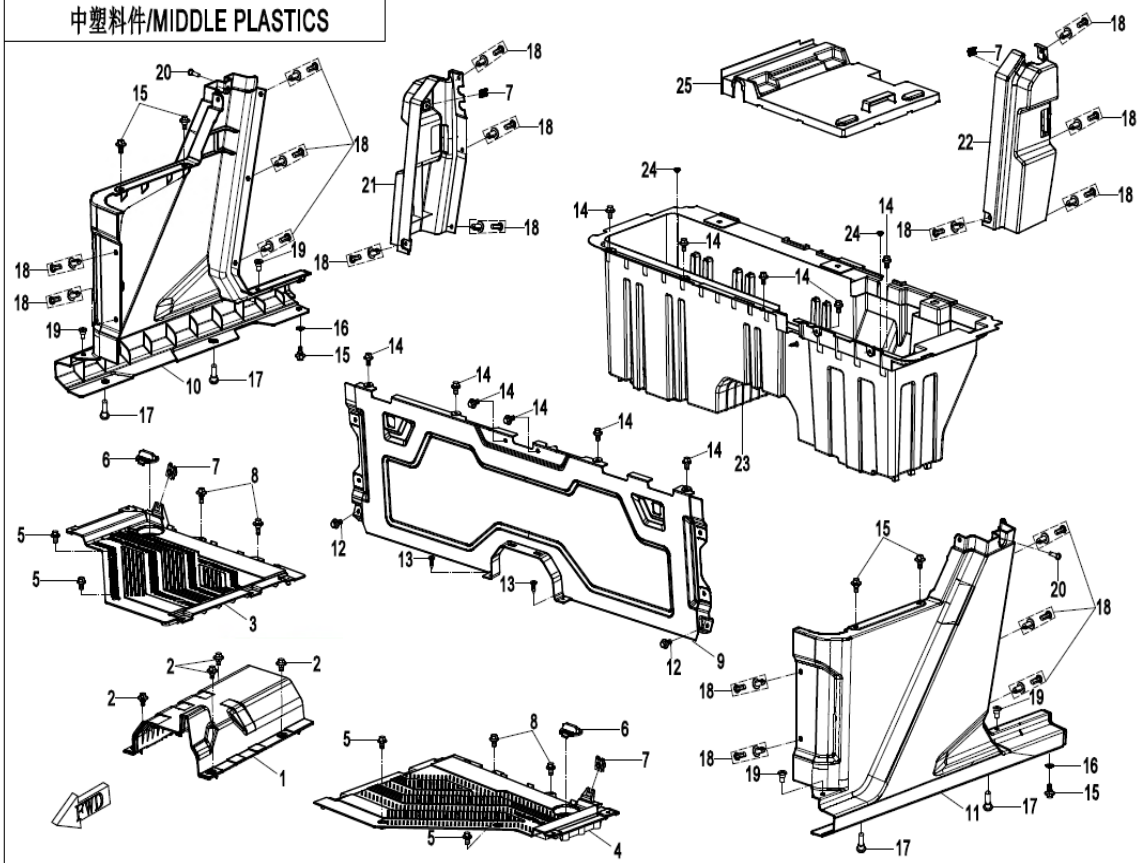
Item No.	Parts Number	Parts Name(EN)	Qty	Specification
1	5HYV-043053-1000	SERVICE COVER, PEDAL	1	
2	5HY#-040002-1000	BOLT M6x17	4	
3	5HYV-043052-1C00	FOOT PEDAL, RH	1	
4	5HYV-043051-1C00	FOOT PEDAL, LH	1	
5	30006-060016870	BOLT M6x16	4	M6x16
6	5BY0-042032	PLUG, PEDAL	2	
7	8030-040800-00001	NUT CLIP M6	4	M6
8	5HY#-040001-1000	BOLT M6x14	4	
9	5HY#-043061-1000-11	FRONT LOWER BAFFLE, SEAT	1	
10	5SYV-044014-6000	FRONT RH SIDE PLATE	1	
11	5SYV-044013-6000	FRONT LH SIDE PLATE	1	
12	30006-060016810	BOLT M6x16	2	M6x16
13	30110-480160010	SELF-TAPPING SCREW ST4.8x16	2	ST4.8x16
14	6NQ#-000206-6001	INNER HEX SCREW M6x16	11	M6x16
15	6NQ#-000203-6001	INNER HEX SCREW M6x20	6	M6x20
16	30301-060470	RETAINER	2	
17	5HY0-220113	BOLT M8x20	4	M8x20
18	9060-040310	PLASTIC CLIPS	18	
19	6NQ#-000202-6001	BOLT	4	
20	6NQ#-000205-6001	MOUNTING SCREW, CHAIN GUARD	2	
21	5SYV-044042-6000-11	RH UPPER PANEL, FRONT SEAT	1	
22	5SYV-044041-6000-11	LH UPPER PANEL, FRONT SEAT	1	
23	5SYV-043061-6000	STORAGE BOX, FRONT SEAT	1	
24	6100-030006	GASKET, ADJUST HOLE	2	
25	5SYV-043062-6000	STORAGE BOX COVER	1	



### F04-3-V2 MIDDLE PLASTICS

Item No.	Parts Number	Parts Name(EN)	Qty	Specification
1	5HYV-043053-1000	SERVICE COVER, PEDAL	1	
2	5HY#-040002-1000	BOLT M6x17	4	
3	5HYV-043052-1C00	FOOT PEDAL, RH	1	
4	5HYV-043051-1C00	FOOT PEDAL, LH	1	
5	30006-060016870	BOLT M6x16	4	M6x16
6	5BY0-042032	PLUG, PEDAL	2	
7	8030-040800-00001	NUT CLIP M6	4	M6
8	5HY#-040001-1000	BOLT M6x14	4	
9	5HY#-043061-1000-11	FRONT LOWER BAFFLE, SEAT	1	
10	5SYV-044014-6000	FRONT RH SIDE PLATE	1	
11	5SYV-044013-6000	FRONT LH SIDE PLATE	1	
12	30006-060016810	BOLT M6x16	2	M6x16
13	30110-480160010	SELF-TAPPING SCREW ST4.8x16	2	ST4.8x16
14	6NQ#-000206-6001	INNER HEX SCREW M6x16	11	M6x16
15	6NQ#-000203-6001	INNER HEX SCREW M6x20	6	M6x20
16	30301-060470	RETAINER	2	
17	5HY0-220113	BOLT M8x20	4	M8x20
18	9060-040310	PLASTIC CLIPS	18	
19	6NQ#-000202-6001	BOLT	4	
20	6NQ#-000205-6001	MOUNTING SCREW, CHAIN GUARD	2	
21	5SYV-044042-6000-11	RH UPPER PANEL, FRONT SEAT	1	
21	5SYV-044042-6001-11	RH UPPER PANEL, FRONT SEAT	1	NO DOOR
22	5SYV-044041-6000-11	LH UPPER PANEL, FRONT SEAT	1	
22	5SYV-044041-6001-11	LH UPPER PANEL, FRONT SEAT	1	NO DOOR
23	5SYV-043061-6000	STORAGE BOX, FRONT SEAT	1	
24	6100-030006	GASKET, ADJUST HOLE	2	
25	5SYV-043062-6000	STORAGE BOX COVER	1	
25	5SYV-043062-6001	INNER PRESS PLATE, STORAGE BOX	1	

中塑料件/MIDDLE PLASTICS

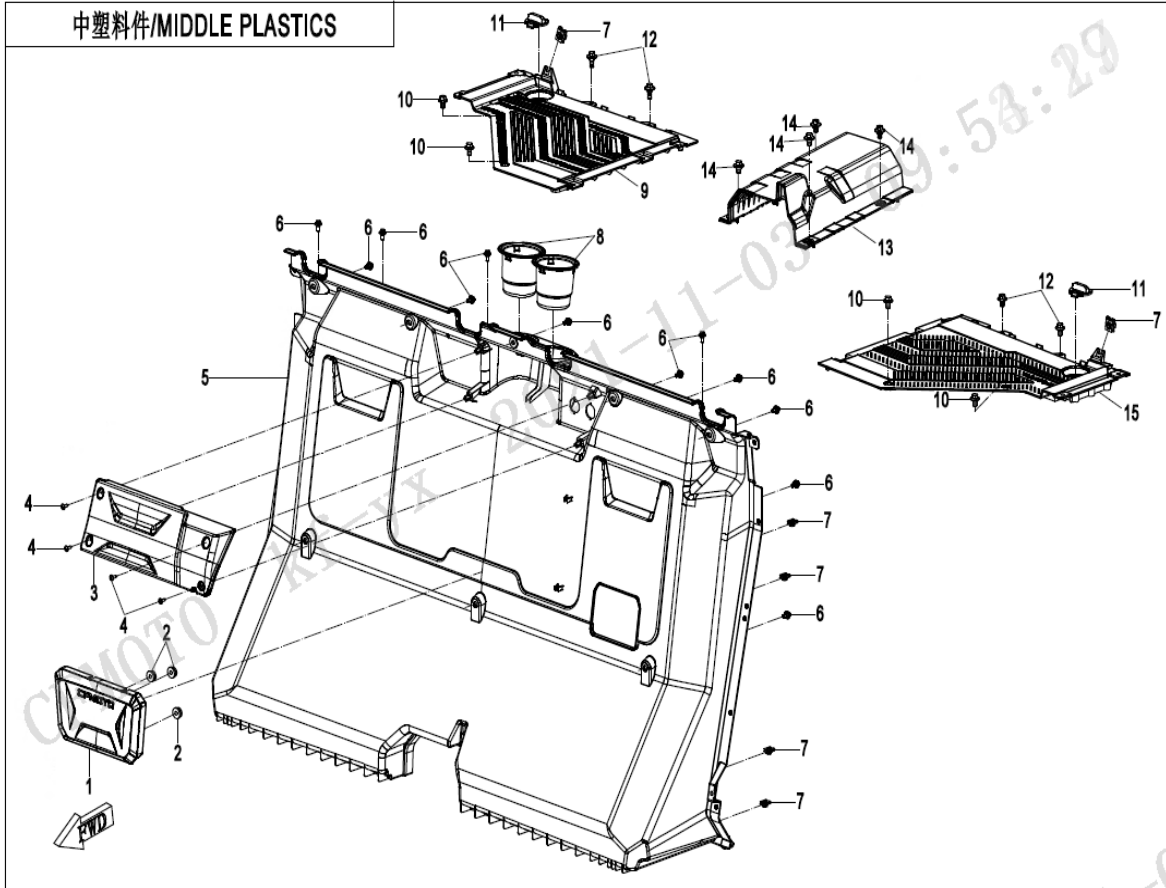


F04-3-V3 MIDDLE PLASTICS

Item No.	Parts Number	Parts Name(EN)	Qty	Specification
1	5HYV-043053-1000	SERVICE COVER, PEDAL	1	
2	5HY#-040002-1000	BOLT M6x17	4	
3	5HYV-043052-1C00	FOOT PEDAL, RH	1	
4	5HYV-043051-1C00	FOOT PEDAL, LH	1	
5	30006-060016870	BOLT M6x16	4	M6x16
6	5BY0-042032	PLUG, PEDAL	2	
7	8030-040800-00001	NUT CLIP M6	4	M6
8	5HY#-040001-1000	BOLT M6x14	4	
9	5HY#-043061-1000-11	FRONT LOWER BAFFLE, SEAT	1	
10	5SYV-044014-6000	FRONT RH SIDE PLATE	1	
10	5SYV-044014-6001	FRONT RH SIDE PLATE	1	
11	5SYV-044013-6000	FRONT LH SIDE PLATE	1	
11	5SYV-044013-6001	FRONT LH SIDE PLATE	1	
12	30006-060016810	BOLT M6x16	2	M6x16
13	30110-480160010	SELF-TAPPING SCREW ST4.8x16	2	ST4.8x16
14	6NQ#-000206-6001	INNER HEX SCREW M6x16	11	M6x16
15	6NQ#-000203-6001	INNER HEX SCREW M6x20	6	M6x20
16	30301-060470	RETAINER	2	
17	5HY0-220113	BOLT M8x20	4	M8x20
18	9060-040310	PLASTIC CLIPS	18	
19	6NQ#-000202-6001	BOLT	4	
20	6NQ#-000205-6001	MOUNTING SCREW, CHAIN GUARD	2	
21	5SYV-044042-6000-11	RH UPPER PANEL, FRONT SEAT	1	
21	5SYV-044042-6001-11	RH UPPER PANEL, FRONT SEAT	1	NO DOOR
22	5SYV-044041-6000-11	LH UPPER PANEL, FRONT SEAT	1	
22	5SYV-044041-6001-11	LH UPPER PANEL, FRONT SEAT	1	NO DOOR
23	5SYV-043061-6000	STORAGE BOX, FRONT SEAT	1	
24	6100-030006	GASKET, ADJUST HOLE	2	
25	5SYV-043062-6000	STORAGE BOX COVER	1	
25	5SYV-043062-6001	INNER PRESS PLATE, STORAGE BOX	1	



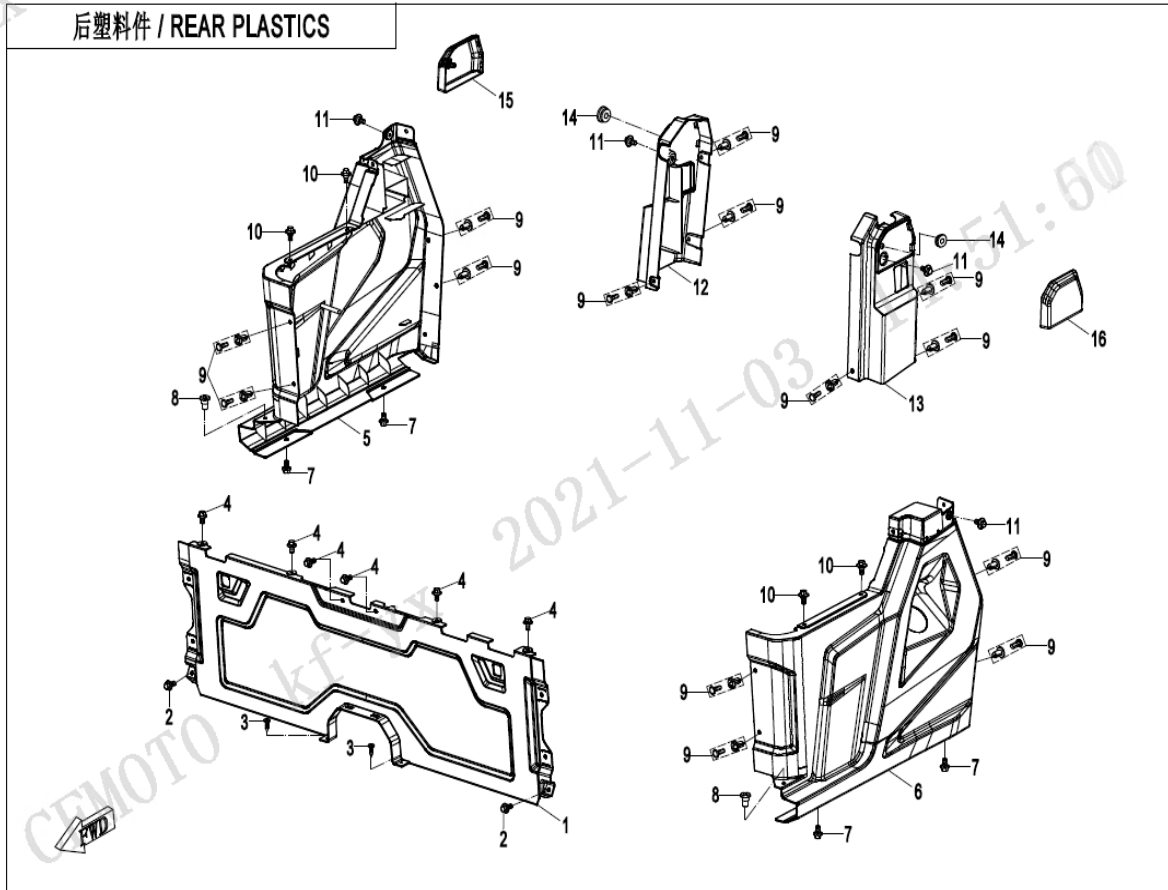
中塑料件/MIDDLE PLASTICS



### F04-4 MIDDLE PLASTICS

Item No.	Parts Number	Parts Name(EN)	Qty	Specification
1	5SYV-044032-6000	GUARD, FRONT MIDDLE BACKREST	1	
2	5BY0-040010	RUBBER SLEEVE	3	
3	5SYV-044034-6000	USB COVER	1	
4	30110-420130010	SELF-TAPPING SCREW ST4.2x13	4	ST4.2x13
5	5SYV-044031-6000	FRONT UPPER GUARD PLATE, BACK SEAT	1	
6	6NQ#-000202-6001	BOLT	12	
7	8030-040800-00001	NUT CLIP M6	6	M6
8	5SYV-044033-6000	CUP HOLDER, BACK SEAT	2	
9	5HYV-043052-1C00	FOOT PEDAL, RH	1	
10	30006-060016870	BOLT M6x16	4	M6x16
11	5BY0-042032	PLUG, PEDAL	2	
12	5HY#-040001-1000	BOLT M6x14	4	
13	5HYV-043053-1000	SERVICE COVER, PEDAL	1	
14	5HY#-040002-1000	BOLT M6x17	4	
15	5HYV-043051-1C00	FOOT PEDAL, LH	1	

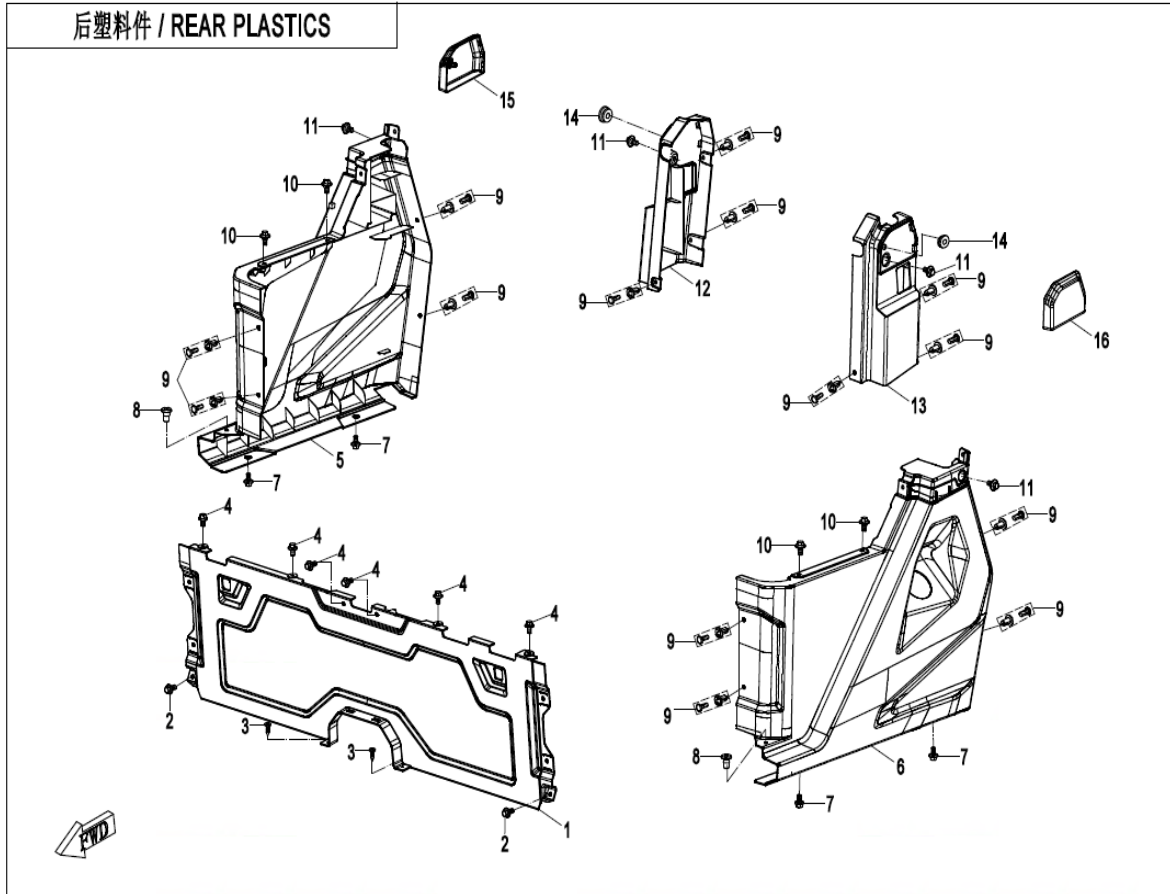
后塑料件 / REAR PLASTICS



F04-5-V1 REAR PLASTICS

Item No.	Parts Number	Parts Name(EN)	Qty	Specification
1	5HY#-043061-1000-11	FRONT LOWER BAFFLE, SEAT	1	
2	30006-060016810	BOLT M6x16	2	M6x16
3	30110-480160010	SELF-TAPPING SCREW ST4.8x16	2	ST4.8x16
4	6NQ#-000206-6001	INNER HEX SCREW M6x16	6	M6x16
5	5HY0-042024	REAR RH SIDE PANEL	1	
6	5HY0-042023	REAR LH SIDE PANEL	1	
7	5HY0-220113	BOLT M8x20	4	M8x20
8	6NQ#-000202-6001	BOLT	2	
9	9060-040310	PLASTIC CLIPS	14	
10	6NQ#-000203-6001	INNER HEX SCREW M6x20	4	M6x20
11	5HY#-040001-1000	BOLT M6x14	4	
12	5HY0-042022	REAR RH SIDE UPPER PANEL	1	
13	5HY0-042021	REAR LH SIDE UPPER PANEL	1	
14	5BY0-040010	RUBBER SLEEVE	2	
15	5HY0-042026	MOUNT COVER, RH HINGE	1	
16	5HY0-042025	MOUNT COVER, LH HINGE	1	

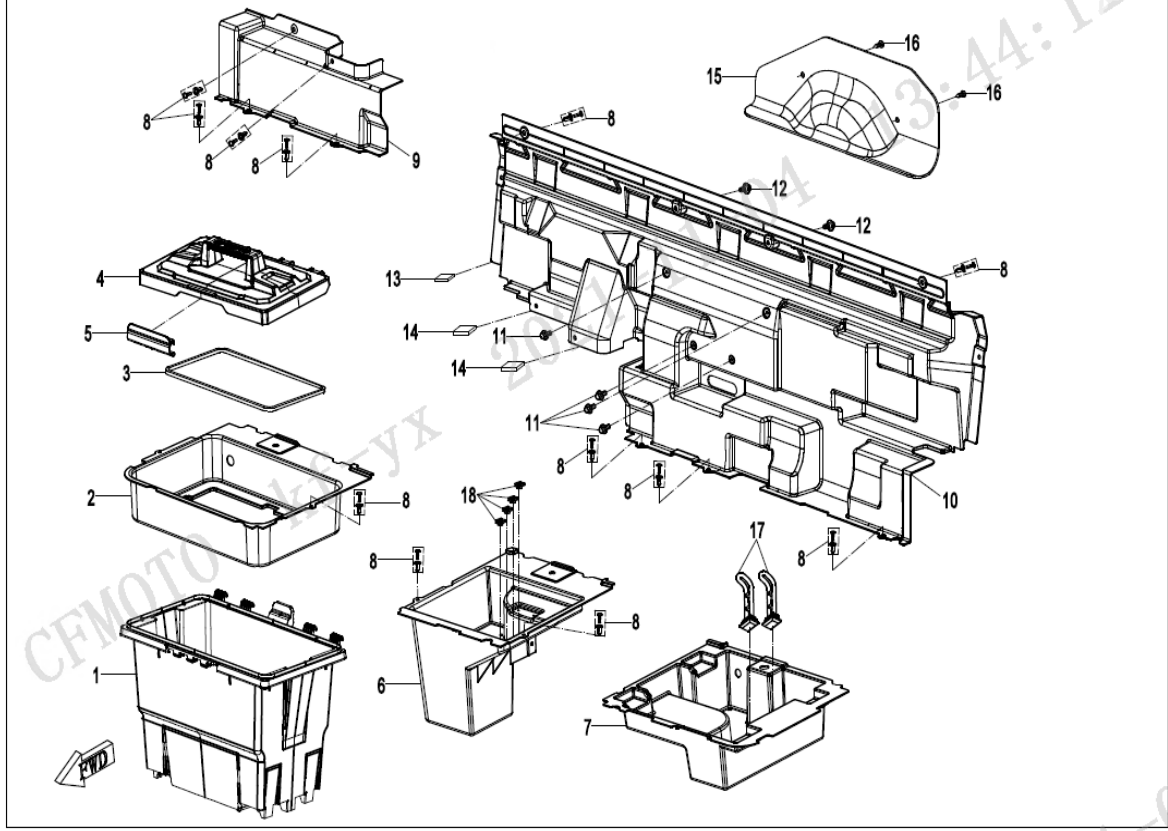
后塑料件 / REAR PLASTICS



### F04-5-V2 REAR PLASTICS

Item No.	Parts Number	Parts Name(EN)	Qty	Specification
1	5HY#-043061-1000-11	FRONT LOWER BAFFLE, SEAT	1	
2	30006-060016810	BOLT M6x16	2	M6x16
3	30110-480160010	SELF-TAPPING SCREW ST4.8x16	2	ST4.8x16
4	6NQ#-000206-6001	INNER HEX SCREW M6x16	6	M6x16
5	5HY0-042024	REAR RH SIDE PANEL	1	
5	5HYV-042024-1C00	REAR RH SIDE PANEL	1	
6	5HY0-042023	REAR LH SIDE PANEL	1	
6	5HYV-042023-1C00	REAR LH SIDE PANEL	1	
7	5HY0-220113	BOLT M8x20	4	M8x20
8	6NQ#-000202-6001	BOLT	2	
9	9060-040310	PLASTIC CLIPS	14	
10	6NQ#-000203-6001	INNER HEX SCREW M6x20	4	M6x20
11	5HY#-040001-1000	BOLT M6x14	4	
12	5HY0-042022	REAR RH SIDE UPPER PANEL	1	
13	5HY0-042021	REAR LH SIDE UPPER PANEL	1	
14	5BY0-040010	RUBBER SLEEVE	2	
15	5HY0-042026	MOUNT COVER, RH HINGE	1	
16	5HY0-042025	MOUNT COVER, LH HINGE	1	

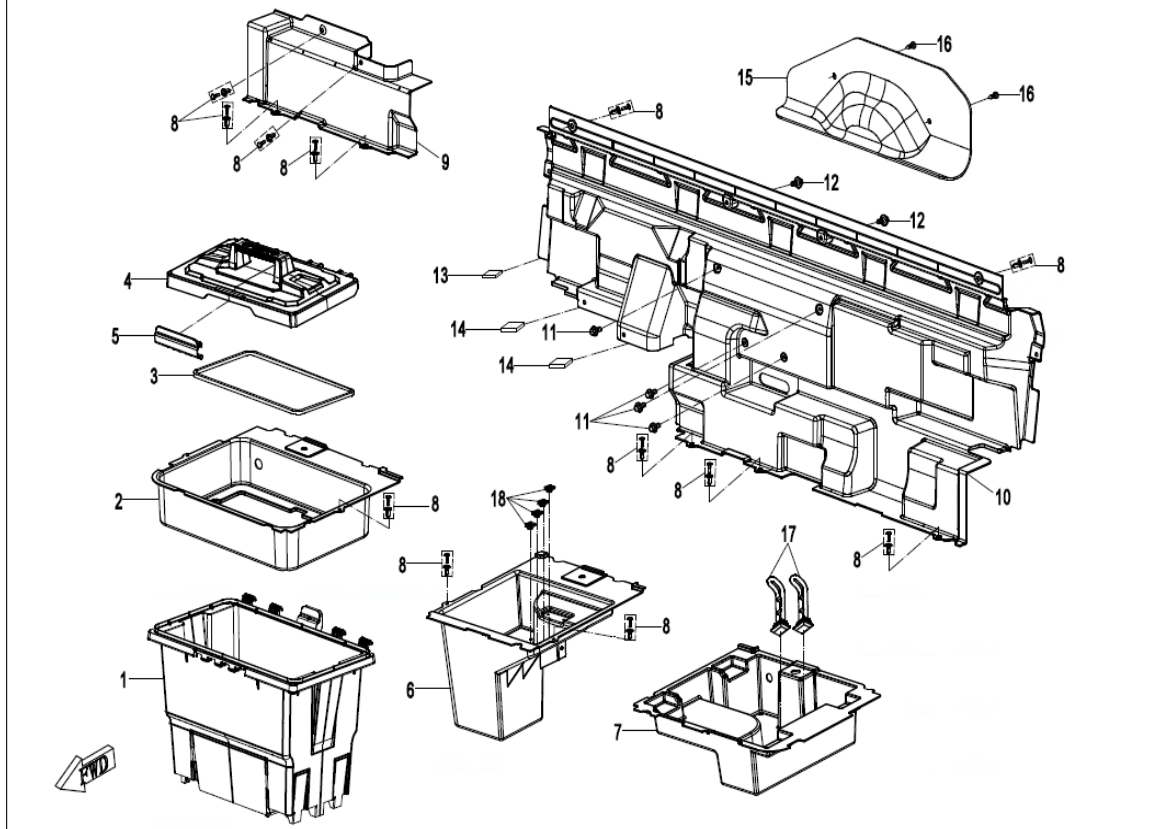
后塑料件 / REAR PLASTICS



F04-6-V1 REAR PLASTICS

Item No.	Parts Number	Parts Name(EN)	Qty	Specification
1	5HY0-043072	TOOL BOX	1	
1	5HYV-043072-1C00	TOOL BOX	1	
2	5HY0-043064	RH LOWER GUARD, SEAT	1	
3	5HY0-043074-00001	SEALING STRIP, TOOL BOX	1	
4	5HYV-043071-1C00	COVER, TOOL BOX	1	
4	5HYV-043071-1C01	COVER, TOOL BOX	1	
5	5HY0-043073	BUCKLE, TOOL BOX	1	
6	5HY0-043063-10000	MIDDLE LOWER GUARD, SEAT	1	
7	5HY0-043062	LH LOWER GUARD, SEAT	1	
8	9060-040310	PLASTIC CLIPS	12	
9	5HY0-042052	FRONT ACCESS COVER	1	
10	5HY0-042051	REAR GUARD, SEAT	1	
11	6NQ#-000206-6001	INNER HEX SCREW M6x16	4	M6x16
12	5HY#-040001-1000	BOLT M6x14	2	
13	6KM#-160420-8001	SPONGE MAT	1	
14	9010-120008	SPONGE PAD, FUEL TANK	2	
15	5HY0-042053	HEAT INSULATOR, REAR GUARD	1	
16	30110-480130010	SELF-TAPPING SCREW ST4.8x13	2	ST4.8x13
17	7020-040315	BAND, FUEL TANK FILLER COVER	2	
18	8030-040800-00001	NUT CLIP M6	4	M6

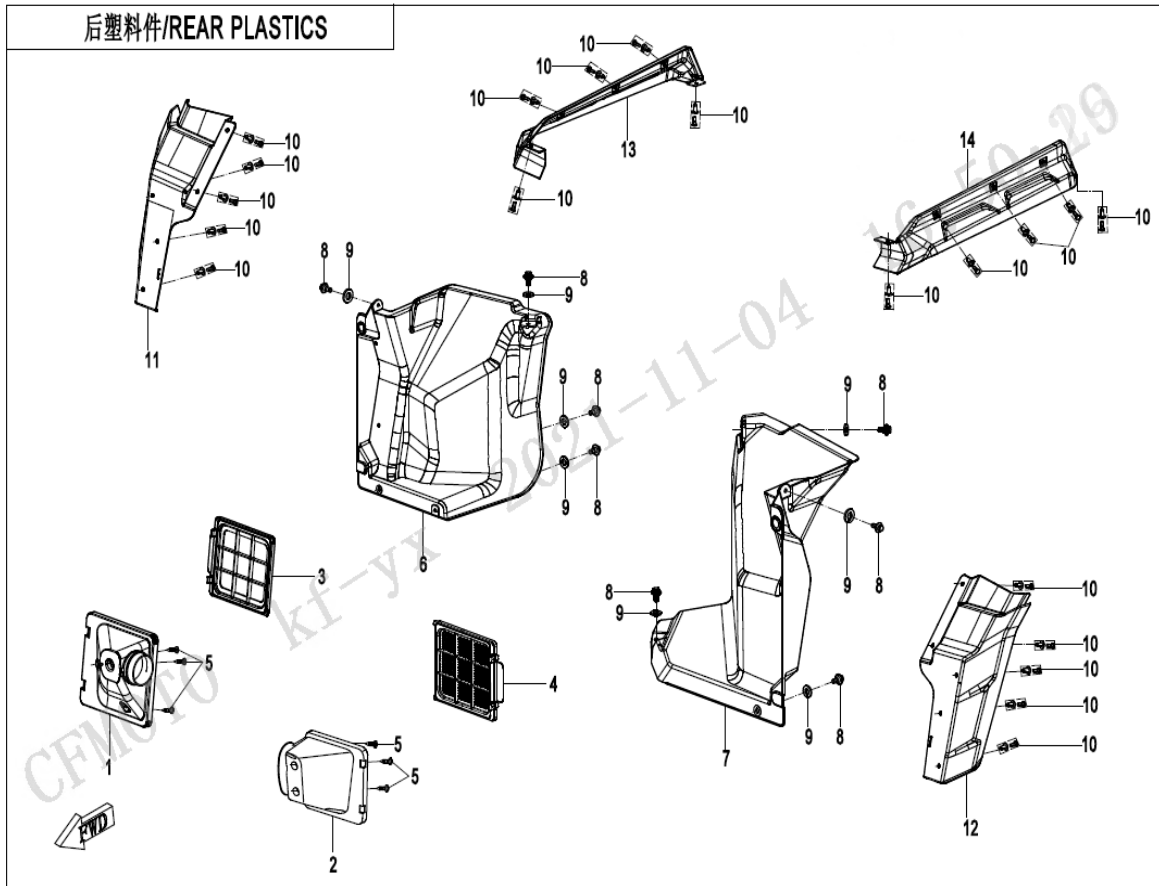
后塑料件 / REAR PLASTICS



F04-6-V2 REAR PLASTICS

Item No.	Parts Number	Parts Name(EN)	Qty	Specification
1	5HY0-043072	TOOL BOX	1	
1	5HYV-043072-1C00	TOOL BOX	1	
2	5HY0-043064	RH LOWER GUARD, SEAT	1	
3	5HY0-043074-00001	SEALING STRIP, TOOL BOX	1	
4	5HYV-043071-1C00	COVER, TOOL BOX	1	
4	5HYV-043071-1C01	COVER, TOOL BOX	1	
5	5HY0-043073	BUCKLE, TOOL BOX	1	
6	5HY0-043063-10000	MIDDLE LOWER GUARD, SEAT	1	
7	5HY0-043062	LH LOWER GUARD, SEAT	1	
8	9060-040310	PLASTIC CLIPS	12	
9	5HY0-042052	FRONT ACCESS COVER	1	
10	5HY0-042051	REAR GUARD, SEAT	1	
10	5HYV-042051-1C00	REAR PANEL, SEAT	1	
11	6NQ#-000206-6001	INNER HEX SCREW M6x16	4	M6x16
12	5HY#-040001-1000	BOLT M6x14	2	
13	6KM#-160420-8001	SPONGE MAT	1	
14	9010-120008	SPONGE PAD, FUEL TANK	2	
15	5HY0-042053	HEAT INSULATOR, REAR GUARD	1	
16	30110-480130010	SELF-TAPPING SCREW ST4.8x13	2	ST4.8x13
17	7020-040315	BAND, FUEL TANK FILLER COVER	2	
18	8030-040800-00001	NUT CLIP M6	4	M6

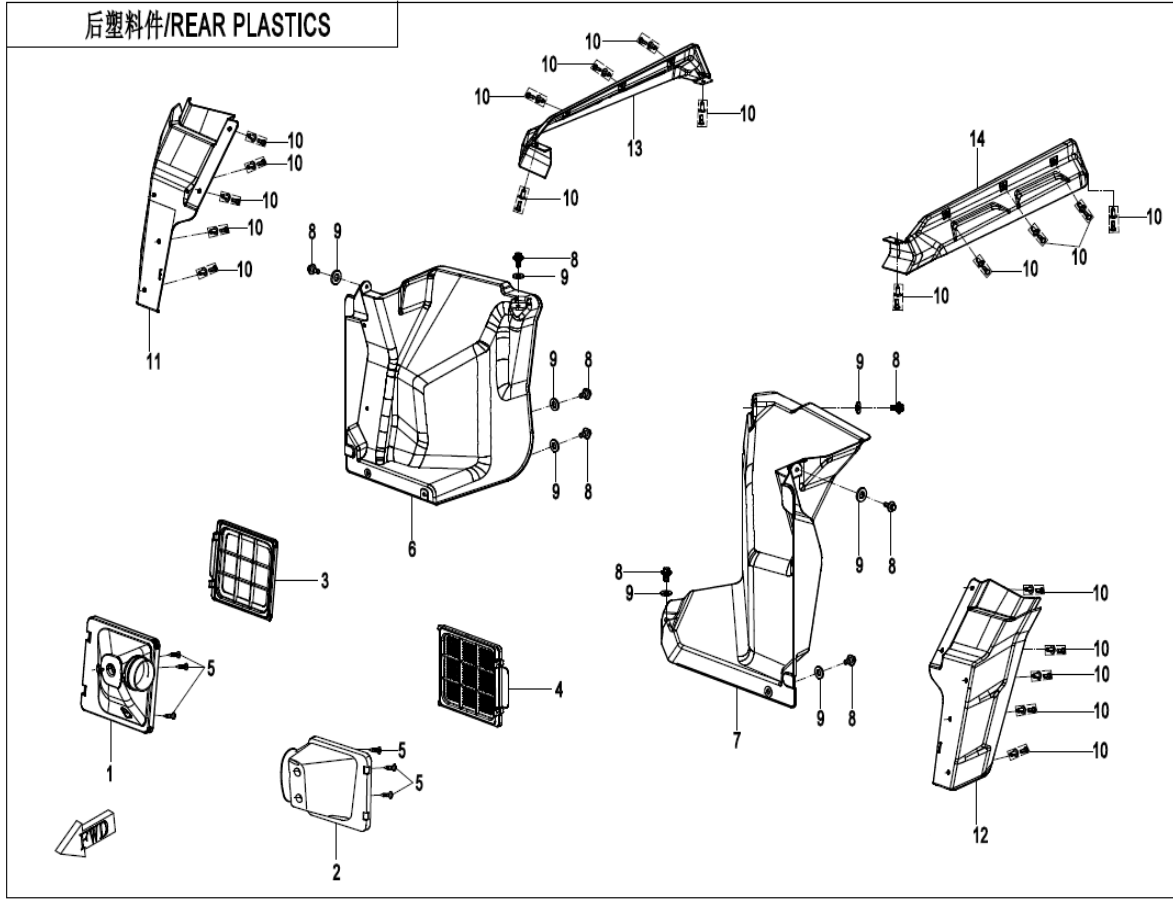
后塑料件/REAR PLASTICS



F04-7-V1 REAR PLASTICS

Item No.	Parts Number	Parts Name(EN)	Qty	Specification
1	5HY0-042028	DEFLECTOR, RH	1	
2	5HY0-042027	DEFLECTOR, LH	1	
3	5HY0-042030	FILTER	1	
4	5HY#-042031-1000	FILTER	1	
5	30110-480130010	SELF-TAPPING SCREW ST4.8x13	6	ST4.8x13
6	5HY#-042012-1000	REAR RH FENDER	1	
7	5HY#-042011-1000	REAR LH FENDER	1	
8	30006-060016870	BOLT M6x16	8	M6x16
9	30309-060870	WASHER 6X20X1.5	8	6X20X1.5
10	9060-040310	PLASTIC CLIPS	20	
11	5HY0-041064	WIDEN RH MIDDLE FENDER	1	
12	5HY0-041063	WIDEN LH MIDDLE FENDER	1	
13	5HY0-041066	WIDEN RH MIDDLE FENDER	1	
14	5HY0-041065	WIDEN LH REAR FENDER	1	

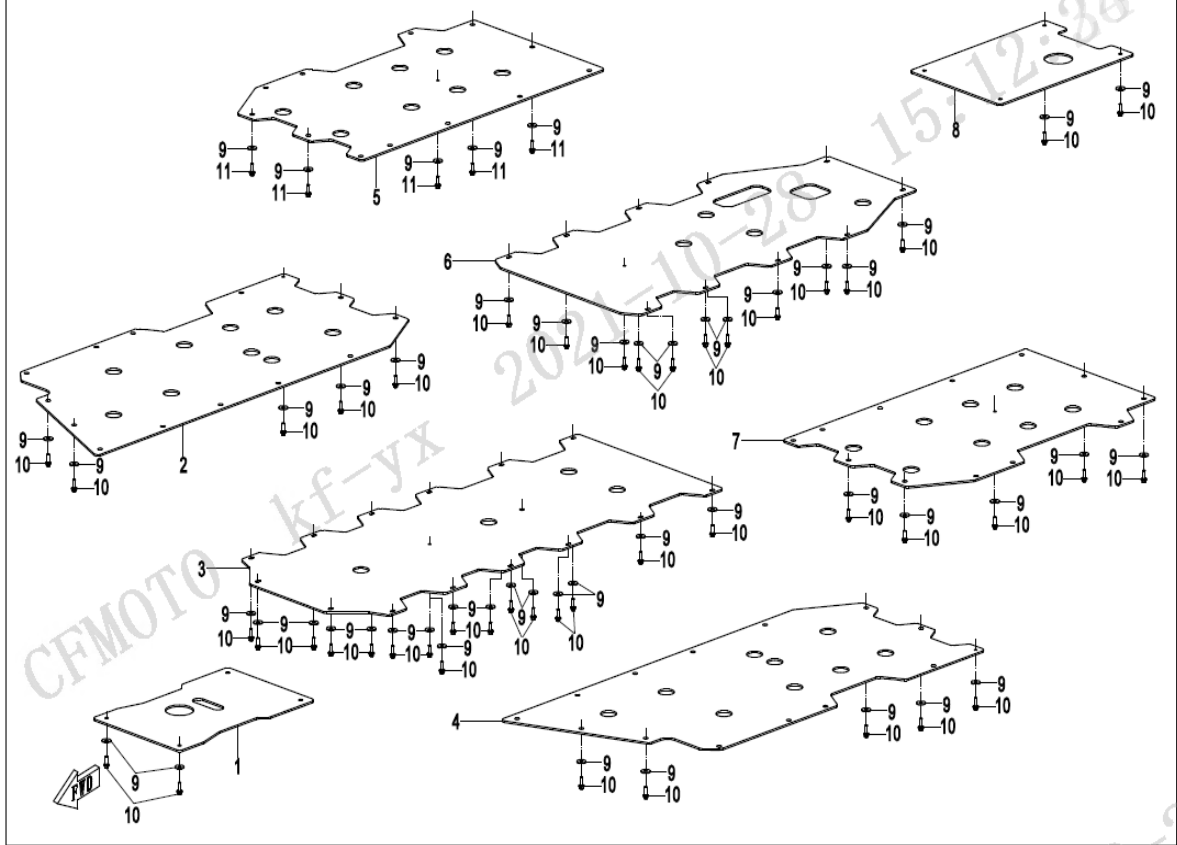
后塑料件/REAR PLASTICS



F04-7-V2 REAR PLASTICS

Item No.	Parts Number	Parts Name(EN)	Qty	Specification
1	5HY0-042028	DEFLECTOR, RH	1	
2	5HY0-042027	DEFLECTOR, LH	1	
3	5HY0-042030	FILTER	1	
4	5HY#-042031-1000	FILTER	1	
5	30110-480130010	SELF-TAPPING SCREW ST4.8x13	6	ST4.8x13
6	5HY#-042012-1000	REAR RH FENDER	1	
6	5HYV-042012-1001	REAR RH FENDER	1	
7	5HY#-042011-1000	REAR LH FENDER	1	
7	5HYV-042011-1001	REAR LH FENDER	1	
8	30006-060016870	BOLT M6x16	8	M6x16
9	30309-060870	WASHER 6X20X1.5	8	6X20X1.5
10	9060-040310	PLASTIC CLIPS	20	
11	5HY0-041064	WIDEN RH MIDDLE FENDER	1	
12	5HY0-041063	WIDEN LH MIDDLE FENDER	1	
13	5HY0-041066	WIDEN RH MIDDLE FENDER	1	
14	5HY0-041065	WIDEN LH REAR FENDER	1	

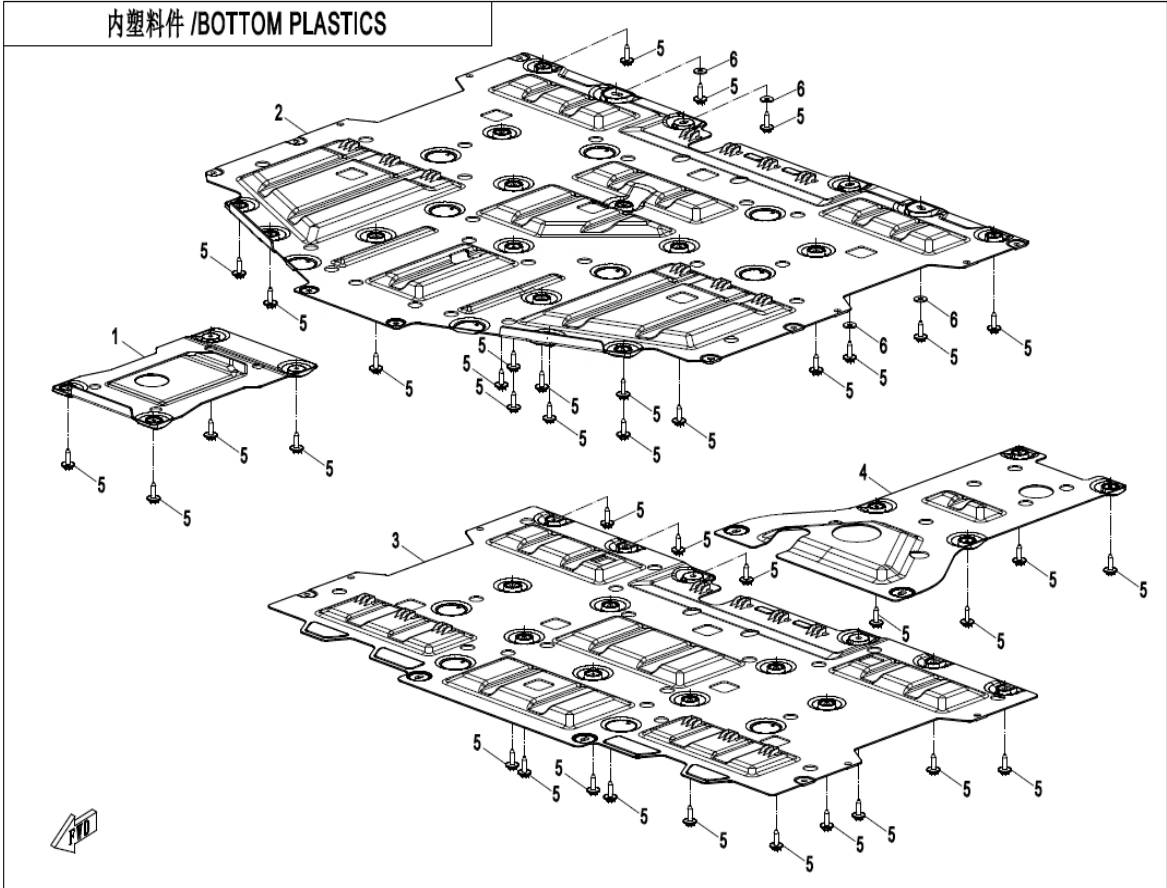
内塑料件 / BOTTOM PLASTICS



F04-8-V1 BOTTOM PLASTICS

Item No.	Parts Number	Parts Name(EN)	Qty	Specification
1	5HY#-042061-1000	FRONT BASE PLATE	1	
2	5SYV-042064-6000	FRONT RH SKID PLATE	1	
3	5SYV-042062-6000	FRONT MIDDLE SKID PLATE	1	
4	5SYV-042063-6000	FRONT LH SKID PLATE	1	
5	5SYV-042068-6000	REAR RH SKID PLATE	1	
6	5SYV-042066-6000	REAR MIDDLE SKID PLATE	1	
7	5SYV-042067-6000	REAR LH SKID PLATE	1	
8	5HY0-042065	REAR BASE PLATE	1	
9	30301-060412	WASHER	51	6
10	6NQ#-000203-6001	INNER HEX SCREW M6x20	46	M6x20
11	30006-060020810	BOLT M6x20	5	M6x20

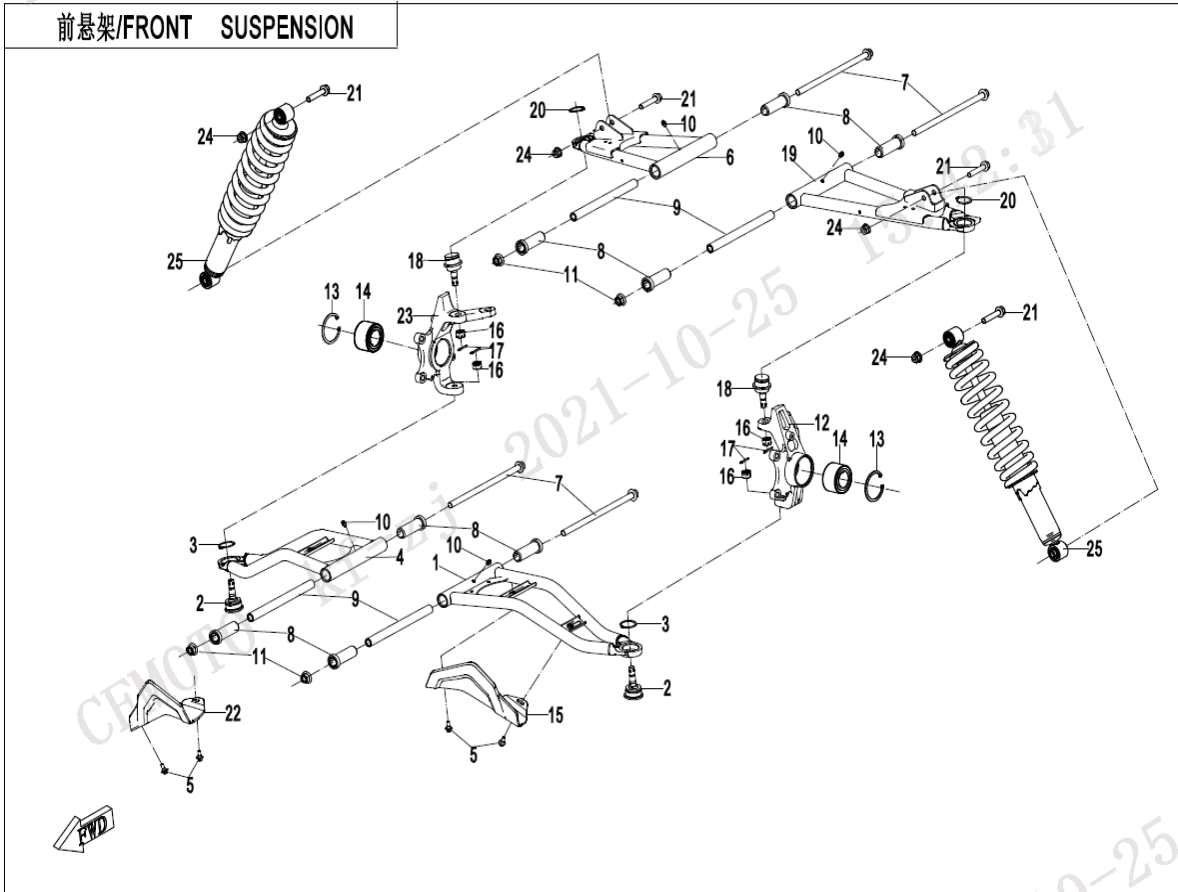




### F04-8-V2 BOTTOM PLASTICS

Item No.	Parts Number	Parts Name(EN)	Qty	Specification
01	5HYV-042061-1C00	FRONT BASE PLATE	1	
02	5HYV-042062-1C00	MIDDLE BASE PLATE	1	
03	5SYV-042069-6300	BASE PLATE (EX)	1	
04	5HYV-042065-1C00	REAR BASE PLATE	1	
05	5BWV-040007-5000	INNER HEX BOLT M6x20	39	M6x20
06	30301-060470	RETAINER	4	

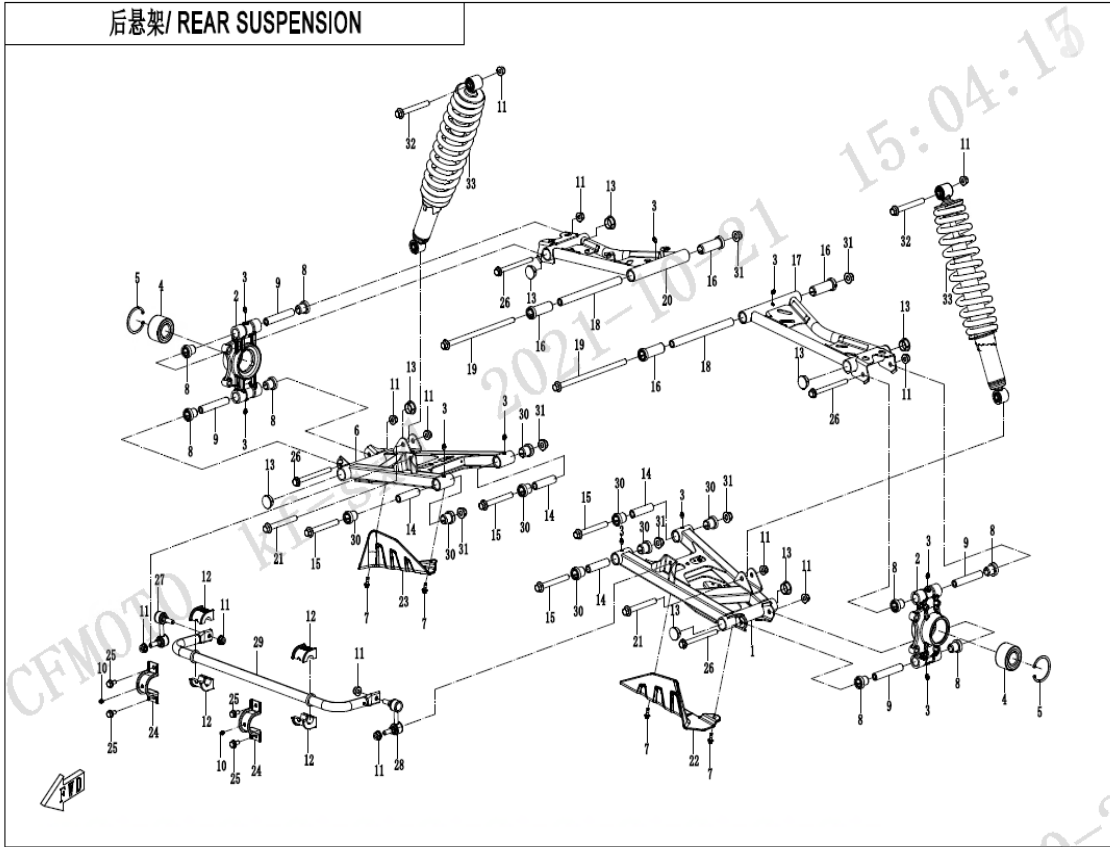
前悬架/Front SUSPENSION



F05 FRONT SUSPENSION

Item No.	Parts Number	Parts Name(EN)	Qty	Specification
1	5SYV-050210-6000	FRONT LOWER SWING ARM, LH	1	ELECTROPHORESIS BLACK
2	9060-050900-10000	BALL PIN ASSY	2	CCVI
2	9060-050900	BALL PIN ASSY	2	SOMIC
3	30801-03405		2	34
4	5SYV-050410-6000	FRONT UPPER SWING ARM, RH	1	ELECTROPHORESIS BLACK
5	8010-000004	BOLT M6x14	4	M6x14
6	5SYV-050310-6000	FRONT UPPER SWING ARM, RH	1	ELECTROPHORESIS BLACK
7	5SYV-050103-6000	SHAFT, SWNG ARM	4	
8	5BY0-050102	DAMPING SLEEVE, FRONT UPPER SWING ARM	8	
9	5SYV-050101-6000	MIDDLE SPACER, SWING ARM	4	
10	3120100	GREASE ZERK	4	
11	30204-122910	NUT M12x1.25	4	M12x1.25
12	5SYV-050701-6000	LH STEERING KNUCKLE	1	
13	30800-06005	CIRCLIP FOR HOLE	2	60
14	30411-03080	HUB BEARING	2	
15	5ASV-050201-6000	GUARD, FRONT LH SWING ARM	1	
16	30219-122810	NUT M12x1.25	4	M12x1.25
17	30903-0322210	COTTER PIN	4	3.2x22
18	9030-050600-10000	MAIN PIN ASSY	2	CCVI
18	9030-050600	MAIN PIN ASSY	2	SOMIC
19	5SYV-050110-6000	FRONT UPPER SWING ARM, LH	1	ELECTROPHORESIS BLACK
20	30801-03205		2	32 A-TYPE
21	30006-102055110	BOLT	4	
22	5ASV-050401-6000	GUARD, FRONT RH SWING ARM	1	
23	5SYV-050801-6000	RH STEERING KNUCKLE	1	
24	30204-102810	NUT M10x1.25	4	M10x1.25
25	5SYV-050500-6000	FRONT SHOCK ABSORBER	2	
25	5SYV-050500-6001	FRONT SHOCK ABSORBER	2	

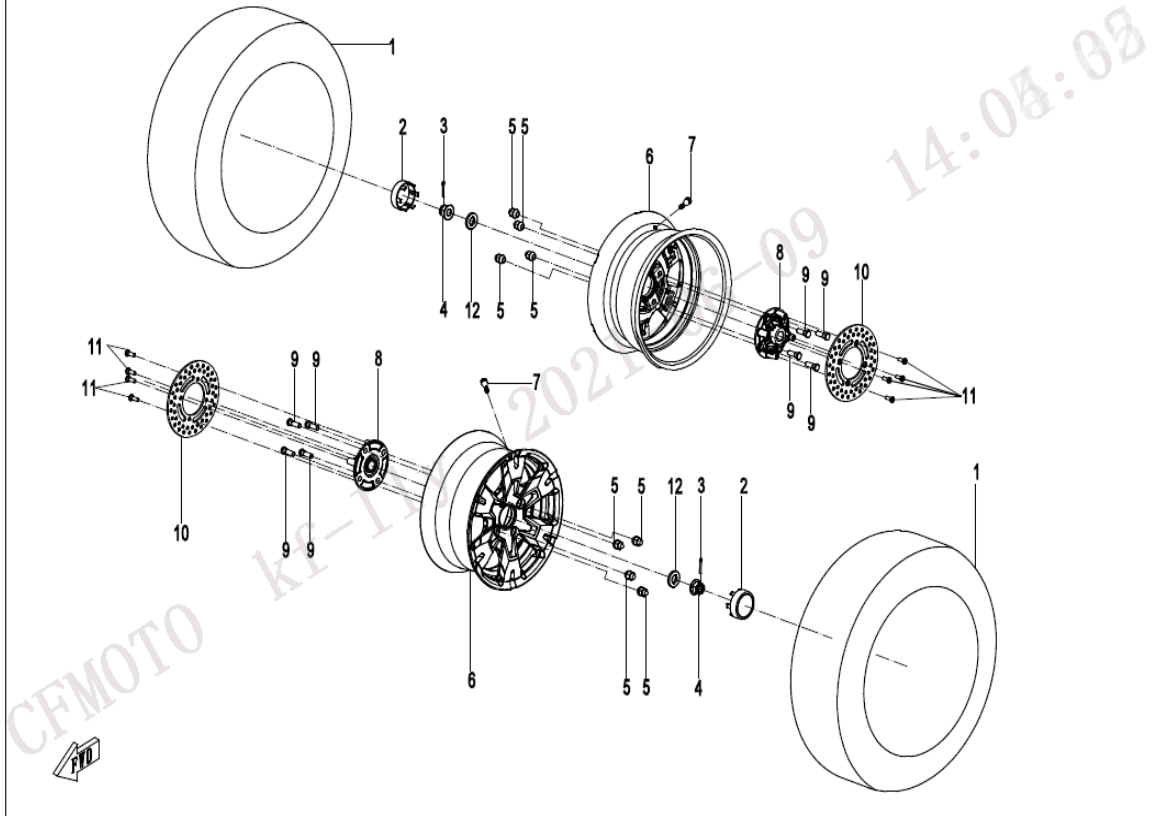
后悬架/ REAR SUSPENSION



F06 REAR SUSPENSION

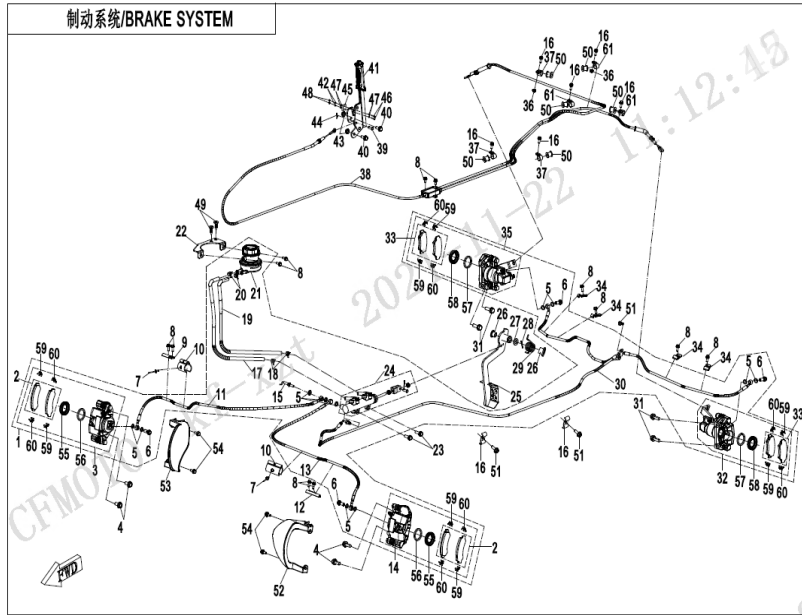
Item No.	Parts Number	Parts Name(EN)	Qty	Specification
01	5SYV-060210-6000	REAR LOWER SWING ARM, LH	1	ELECTROPHORESIS BLACK
02	5HY0-060703	REAR BEARING CARRIER	2	
03	3120100	GREASE ZERK	10	
04	30411-03080	HUB BEARING	2	
05	30800-06005	CIRCLIP FOR HOLE	2	60
06	5SYV-060410-6000	REAR LOWER SWING ARM, RH	1	ELECTROPHORESIS BLACK
07	8010-000004	BOLT M6x14	4	M6x14
08	5ASV-050002-6000	SHORT BUSHING	8	
08	5ASV-050002-6001	SHORT BUSHING	8	
09	5HY0-060701-00001	MIDDLE SPACER, REAR BEARING CARRIER	4	
10	3121400	GREASE NOZZLE	2	90 DEGREE
11	30204-102810	NUT M10x1.25	12	M10x1.25
12	7000-060003	SUPPORTER, SWAY BAR	4	
13	9060-060002	PLUG, REAR SUSPENSION	8	
14	5SYV-060201-6000	SHORT MIDDLE SPACER, SWING ARM	4	
15	30024-122100110	BOLT	4	
16	5BY0-050102	DAMPING SLEEVE, FRONT UPPER SWING ARM	4	
17	5SYV-060110-6000	REAR UPPER SWING ARM, LH	1	ELECTROPHORESIS BLACK
18	5SYV-050101-6000	MIDDLE SPACER, SWING ARM	2	
19	5SYV-050103-6000	SHAFT, SWNG ARM	2	
20	5SYV-060310-6000	REAR UPPER SWING ARM, RH	1	ELECTROPHORESIS BLACK
21	30006-102055110	BOLT	2	
22	5HYV-060201-1000	GUARD, REAR LH SWING ARM	1	
23	5HYV-060401-1000	GUARD, REAR RH SWING ARM	1	
24	9030-060002	COVER, SWAY BAR	2	
25	30006-080016810	BOLT M8x16	4	M8x16
26	30001-102120110	BOLT M10x1.25x120	4	M10x1.25x120
27	9010-060800-20000	BALL PIN, RH	1	CCVI
27	9010-060800-1000	BALL PIN, RH	1	SOMIC
28	9010-060700-20000	BALL PIN, LH	1	CCVI
28	9010-060700-1000	BALL PIN, LH	1	SOMIC
29	5SYV-060610-6000	REAR SWAY BAR	1	
30	5SYV-060202-6000	SHORT BUSHING, SWING ARM	8	
31	30204-122910	NUT M12x1.25	6	M12x1.25
32	30006-102060110	BOLT	2	
33	5SYV-060500-6000	REAR SHOCK ABSORBER	2	
33	5SYV-060500-6001	REAR SHOCK ABSORBER	2	

前轮/ FRONT WHEEL



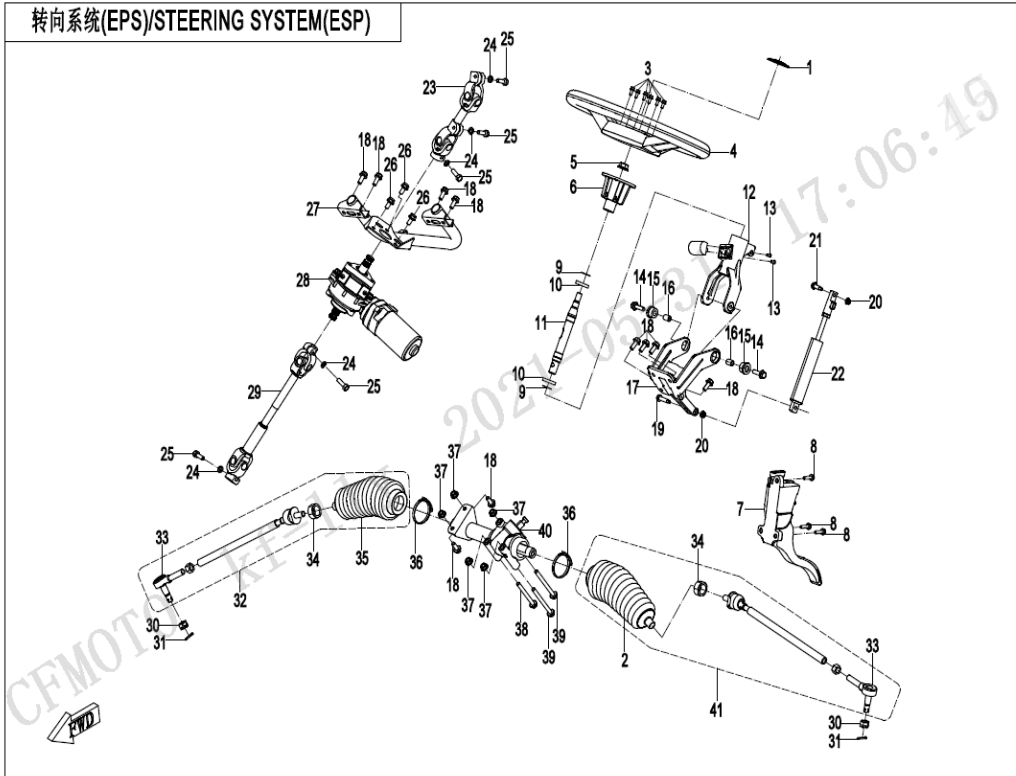
F07 FRONT WHEEL

Item No.	Parts Number	Parts Name(EN)	Qty	Specification
01	30703-1435	FRONT TIRE	2	27x9, R14, 60L, CST, USA, NHS, ENVIRONMENTAL VACUUM TIRE
02	5ASV-070101-6001	DECO COVER, RIM	2	WITH CFMOTO LOGO
03	30903-0403610	COTTER PIN	2	40x36
04	5HY0-110001	HEX FLANGE NUT	2	
05	5HY0-070203	NUT, WHEEL	8	
06	5HY0-070100-10000	FRONT RIM	2	MATTE BLACK
06	5HY0-070100-20000	FRONT RIM	2	MATTE BLACK_BRIGHT EDGE_ALUMINUM RIM
07	5190-070030-1000	VALVE, INFLATION	2	
08	5HYV-070001-1400	BRACKET, FRONT WHEEL	2	
09	5HY0-070201	BOLT, WHEEL	8	
10	5SYV-080001-6000	FRONT BRAKE DISC	2	
11	A000-080001	SCREW	8	
12	30306-200112	WASHER	2	



### F08 BRAKE SYSTEM

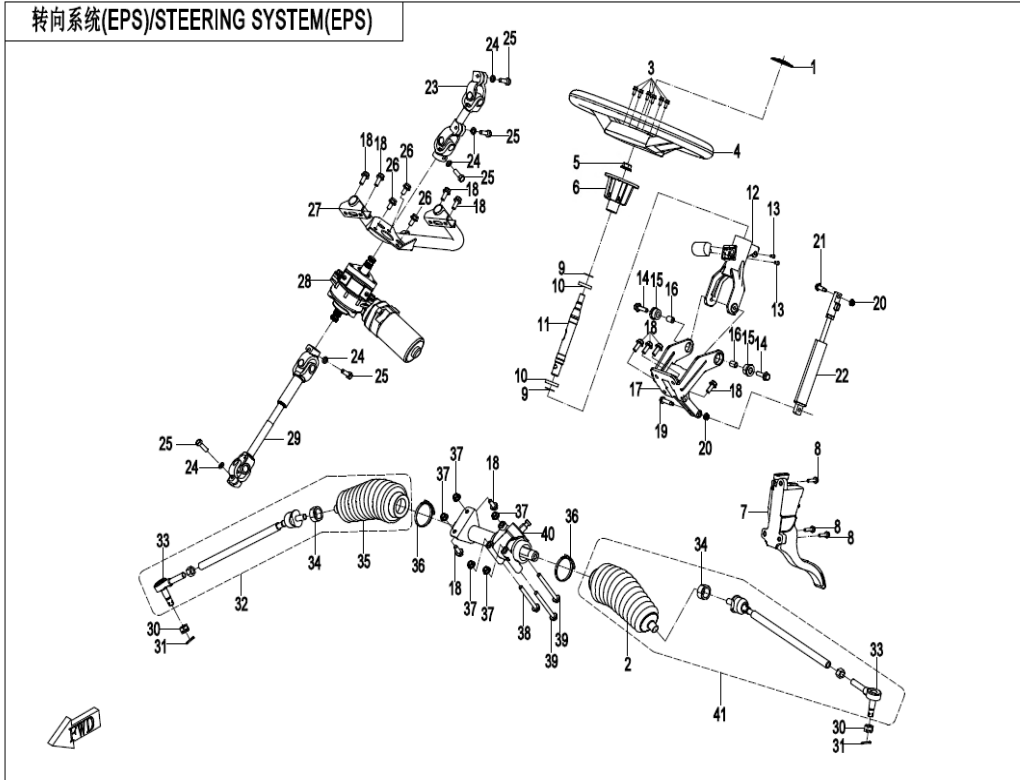
Item No.	Parts Number	Parts Name(EN)	Qty	Specification
01	5SYV-081000-6000	HYDRAULIC BRAKE ASSY	1	
02	9AWA-0811A0	BRAKE PAD ASSY	2	
03	9AWA-081200	FRONT BRAKE CALIPER, RH	1	
04	30006-102025810	BOLT M10x1.25x25	4	M10x1.25x25
05	901B-080102	WASHER	11	80
06	7020-081004	BANJO BOLT	4	
07	30902-0400820	BLIND RIVET	2	4x8
08	30006-060016810	BOLT M6x16	18	M6x16
09	5HY0-080004	CLIP, FRONT RH BRAKE FLUID PIPE	1	
10	9AWA-080001	PLASTIC CLASP	2	
11	5HYV-081020-2500	RH FRONT BRAKE FLUID HOSE	1	
12	5HY0-080003	CLIP, FRONT LH BRAKE FLUID PIPE	1	
13	5HYV-081010-2500	LH FRONT BRAKE FLUID HOSE	1	
14	9AWA-081100	FRONT BRAKE CALIPER, LH	1	
15	5HY0-080010-20000	HYDRAULIC INDUCTION SWITCH	1	
16	5BY0-080001	CLIP I, LH OIL HOSE	2	
17	5UWB-081002	FLUID RESERVOIR HOSE 2	1	
18	7020-081002	PIPE CLIP, MASTER CYLINDER	2	
19	5UWB-081001	FLUID RESERVOIR HOSE 1	1	
20	9010-080405	CLAMP	2	
21	5BW1-080150-20000	RESERVOIR ASSY	1	
22	5UWB-030110	BRACKET, OIL CUP	1	
23	30006-080025810	BOLT	2	M8x25
24	5BWB-081100	MASTER CYLINDER	1	
25	5HYV-082000-1200	BRAKE PEDAL ASSY	1	
25	5HYV-082000-1201	BRAKE PEDAL ASSY	1	
26	9060-105002	BUSHING	2	
27	30306-120112	WASHER	1	12
28	30903-0322210	COTTER PIN	1	3.2x22
29	9060-080003	RETURN SPRING	1	
30	5SYV-081030-6000	REAR BRAKE FLUID HOSE	1	
31	30006-102030810	BOLT M10x1.25x30	4	M10x1.25x30
32	5HY0-081100	REAR BRAKE CALIPER, LH	1	
33	5HY0-0811A0	REAR BRAKE PAD ASSY	2	
34	5HY0-080002	WIRE CLIP, REAR BRAKE FLUID HOSE	4	
35	5HY0-081200	REAR BRAKE CALIPER, RH	1	
36	30202-060110	NUT M6	2	M6
37	9010-080104	CIRCLIP	3	
38	5SYV-083200-6000	PARKING CABLE	1	
39	30904-0602010	PIN SHAFT	1	6x20 TRIVALENT CHROMIUM
40	30006-080020810	BOLT M8x20	2	M8x20
41	5HY0-083100	HAND BRAKE	1	
42	30303-020900	WASHER	2	2
43	30204-080810	NUT M8	2	M8
44	30903-0162010	COTTER PIN	1	
45	7000-082210-20000	MICRO SWITCH	1	
46	30105-020016700	SCREW M2x16	2	M2x16
47	30306-020800	WASHER	4	2
48	30200-020500	NUT M2	2	M2
49	30110-420130010	SELF-TAPPING SCREW ST4.2x13	2	ST4.2x13
50	9AWA-080003	FIXING RUBBER SLEEVE	4	
51	30102-060016810	SCREW	3	
52	5BY0-080007	GUARD, FRONT LH BRAKE CALIPER	1	
53	5BY0-080008	GUARD, FRONT RH BRAKE CALIPER	1	
54	8010-000004	BOLT M6x14	4	M6x14
55	5HYV-081100-1800-20	DUST SEAL, PISTON	2	
56	5HYV-081100-1800-21	DUST SEAL, PISTON	2	
57	5HYV-081300-1800-21	DUST SEAL, PISTON	2	
58	5HYV-081300-1800-20	DUST SEAL, PISTON	2	
59	5HYV-081100-1800-22	BRACKET 1	8	
60	5HYV-081100-1800-23	BRACKET 2	8	
61	5HYV-080410-1C00	WIRE CLIP, OIL HOSE	3	



### F10-V1 STEERING SYSTEM (EPS)

Item No.	Parts Number	Parts Name(EN)	Qty	Specification
01	5ASV-190019-6000	CFMOTO STICKER	1	
02	5BY0-104101	LH PROTECTION SLEEVE, TIE ROD	1	
03	30006-050012810	BOLT M5x12	6	M5x12
04	5ASV-102100-6000	STEERING WHEEL	1	
05	30204-122810	NUT M12x1.25	1	M12x1.25
06	7030-100002	FIXED SEAT, STEERING WHEEL	1	
07	5HY0-105000	THROTTLE PEDAL, ELECTRIC	1	
08	30006-060030810	BOLT M6x30	3	M6x30
09	30801-02005		2	20
10	30400-02005	BEARING	2	6804Z
11	7000-100001	STEERING COLUMN	1	
12	9060-101008-00001	MOUNING BRACKET, STEERING WHEEL	1	
13	30107-060012410	SCREW M6x12	2	M6x12
14	30006-080028810	BOLT M8x28	2	M8x28
15	9060-100008-00001	METAL BUSHING, STEERING COLUMN	2	
16	9060-100009	NYLON BUSHING, STEERING COLUMN	2	
17	9060-101009-00001	BRACKET, AIR SPRING	1	
18	30006-080020810	BOLT M8x20	10	M8x20
19	9060-102003-00002	LOWER LOCK BOLT, GAS SPRING	1	
20	30204-060810	NUT M6	2	M6
21	9060-102002-00001	UPPER FIXED BOLT, GAS SPRING	1	
22	5HYV-100001-1C00	GAS SPRING ASSY	1	
23	5HY0-103100	UNIVERSAL SHAFT,STEERING	1	
24	30303-080112	WASHER	5	8
25	30004-080030810	BOLT	5	M8x30
26	30006-080016810	BOLT M8x16	3	M8x16
27	5HY0-103400	EPS BRACKET	1	ELECTROPHORESIS BLACK
28	7030-106200-00001	EPS ASSY	1	
29	5HY0-103200	UNIVERSAL SHAFT,STEERING	1	
30	30219-122810	NUT M12x1.25	2	M12x1.25
31	30903-0322210	COTTER PIN	2	3.2x22
32	5HY0-104200-20000	RH STEERING ROD ASSY	1	
33	5BY0-104120	HITCH BALL ASSY SQM	2	
34	5BY0-104102	CLAMP	2	
35	5BY0-104201	RH PROTECTION SLEEVE, TIE ROD	1	
36	8010-150003	TIE BAND	2	5x250
37	30204-080810	NUT M8	5	M8
38	30006-080080810	BOLT M8x80	1	M8x80
39	30019-080090810	BOLT M8x90	2	M8x90
40	5HY0-104060	STEERING MOTOR	1	
41	5HY0-104100-20000	LH STEERING ROD ASSY	1	

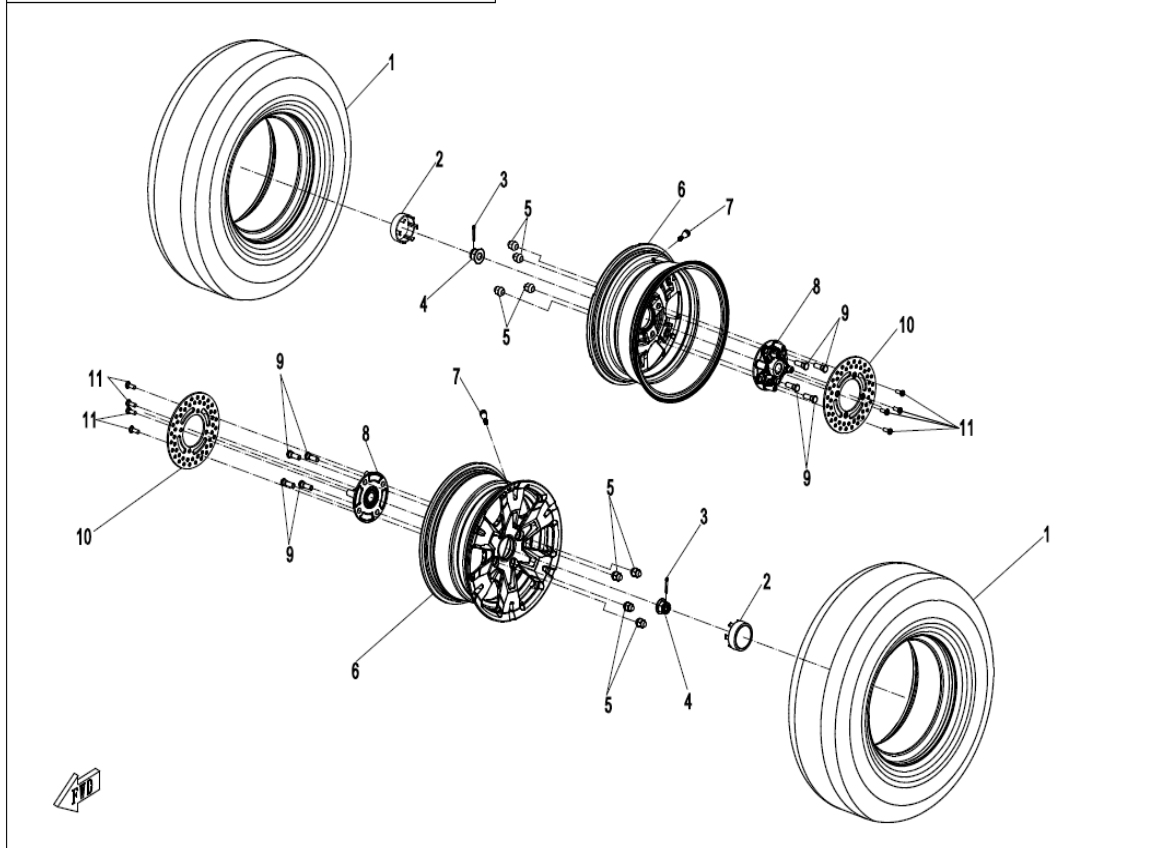
转向系统(EPS)/STEERING SYSTEM(EPS)



F10-V2 STEERING SYSTEM (EPS)

Item No.	Parts Number	Parts Name(EN)	Qty	Specification
01	5ASV-190019-6000	CFMOTO STICKER	1	
02	5BY0-104101	LH PROTECTION SLEEVE, TIE ROD	1	
03	30006-050012810	BOLT M5x12	6	M5x12
04	5ASV-102100-6000	STEERING WHEEL	1	
05	30204-122810	NUT M12x1.25	1	M12x1.25
06	7030-100002	FIXED SEAT, STEERING WHEEL	1	
07	5HY0-105000	THROTTLE PEDAL, ELECTRIC	1	
08	30006-060030810	BOLT M6x30	3	M6x30
09	30801-02005		2	20
10	30400-02005	BEARING	2	6804Z
11	7000-100001	STEERING COLUMN	1	
12	9060-101008-00001	MOUNING BRACKET, STEERING WHEEL	1	
13	30107-060012410	SCREW M6x12	2	M6x12
14	30006-080028810	BOLT M8x28	2	M8x28
15	9060-100008-00001	METAL BUSHING, STEERING COLUMN	2	
16	9060-100009	NYLON BUSHING, STEERING COLUMN	2	
17	9060-101009-00001	BRACKET, AIR SPRING	1	
18	30006-080020810	BOLT M8x20	10	M8x20
19	9060-102003-00002	LOWER LOCK BOLT, GAS SPRING	1	
20	30204-060810	NUT M6	2	M6
21	9060-102002-00001	UPPER FIXED BOLT, GAS SPRING	1	
22	5HYV-100001-1C00	GAS SPRING ASSY	1	
23	5HY0-103100	UNIVERSAL SHAFT,STEERING	1	
24	30303-080112	WASHER	5	8
25	30004-080030810	BOLT	5	M8x30
26	30006-080016810	BOLT M8x16	3	M8x16
27	5HY0-103400	EPS BRACKET	1	ELECTROPHORESIS BLACK
28	7030-106200-00001	EPS ASSY	1	
29	5HY0-103200	UNIVERSAL SHAFT,STEERING	1	
29	5HYV-103200-1C00	LOWER STEERING UNIVERSAL SHAFT ASSY	1	
30	30219-122810	NUT M12x1.25	2	M12x1.25
31	30903-0322210	COTTER PIN	2	3.2x22
32	5HY0-104200-20000	RH STEERING ROD ASSY	1	
33	5BY0-104120	HITCH BALL ASSY SQM	2	
34	5BY0-104102	CLAMP	2	
35	5BY0-104201	RH PROTECTION SLEEVE, TIE ROD	1	
36	8010-150003	TIE BAND	2	5x250
37	30204-080810	NUT M8	5	M8
38	30006-080080810	BOLT M8x80	1	M8x80
39	30019-080090810	BOLT M8x90	2	M8x90
40	5HY0-104060	STEERING MOTOR	1	
41	5HY0-104100-20000	LH STEERING ROD ASSY	1	

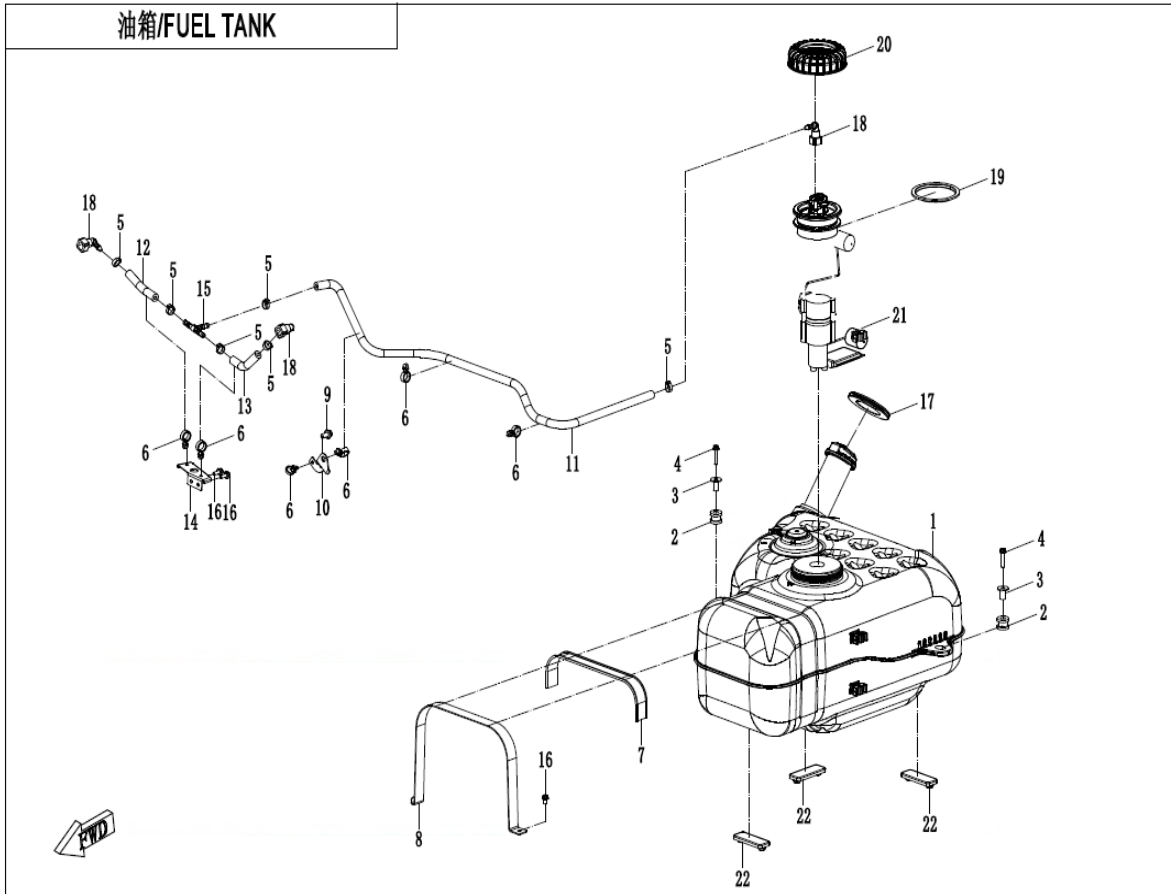
后轮 REAR WHEEL



F11 REAR WHEEL

Item No.	Parts Number	Parts Name(EN)	Qty	Specification
01	30703-1436	REAR TIRE	2	27x11, R14, 66L, CST, USA, NHS, ENVIRONMENTAL VACUUM TIRE
02	5ASV-070101-6001	DECO COVER, RIM	2	WITH CFMOTO LOGO
03	30903-0403610	COTTER PIN	2	40x36
04	5HY0-110001	HEX FLANGE NUT	2	
05	5HY0-070203	NUT, WHEEL	8	
06	5HY0-110100-10000	REAR RIM	2	MATTE BLACK
06	5HY0-110100-20000	REAR RIM	2	MATTE BLACK_BRIGHT EDGE
07	5190-070030-1000	VALVE, INFLATION	2	
08	5HYV-070001-1400	BRACKET, FRONT WHEEL	2	
09	5HY0-070201	BOLT, WHEEL	8	
10	5HY0-080001	FRONT BRAKE DISC	2	
11	A000-080001	SCREW	8	

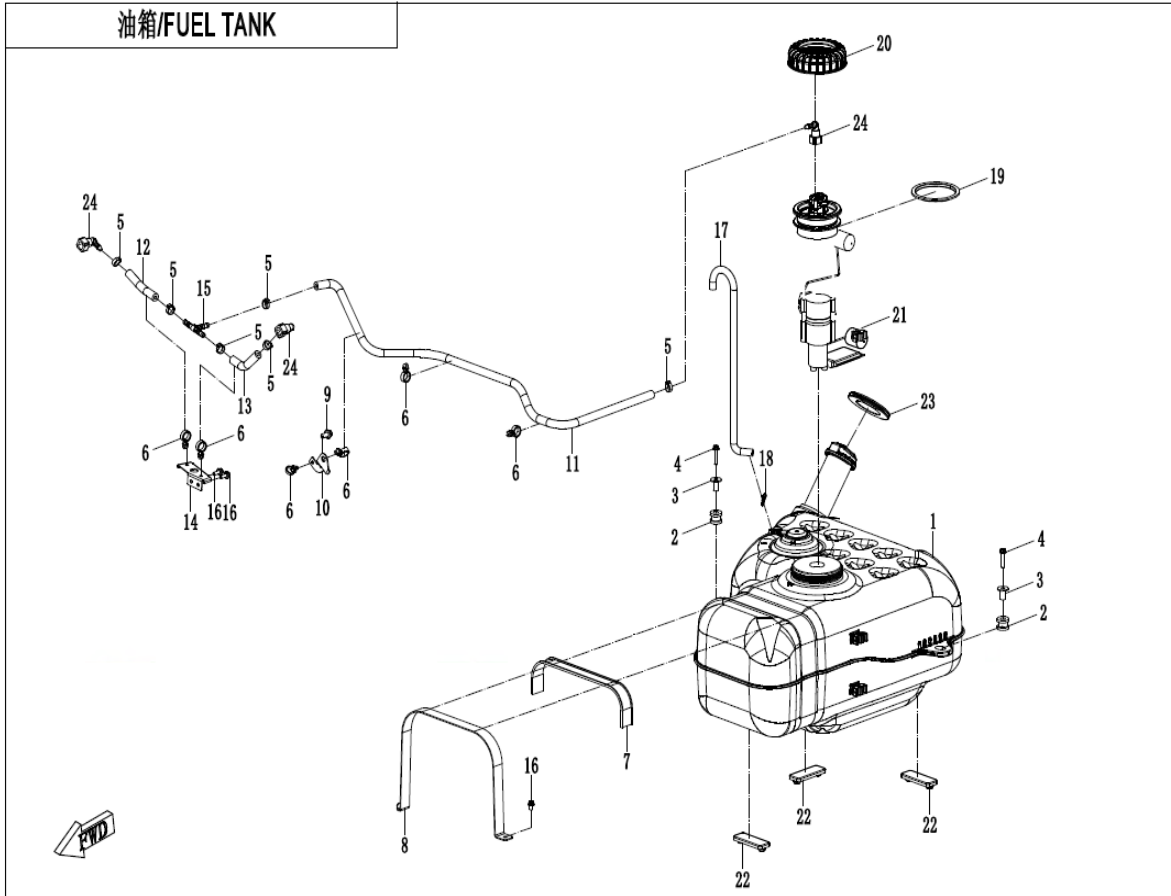




### F12-A FUEL TANK (FOR FUEL EVAPORATION SYSTEM)

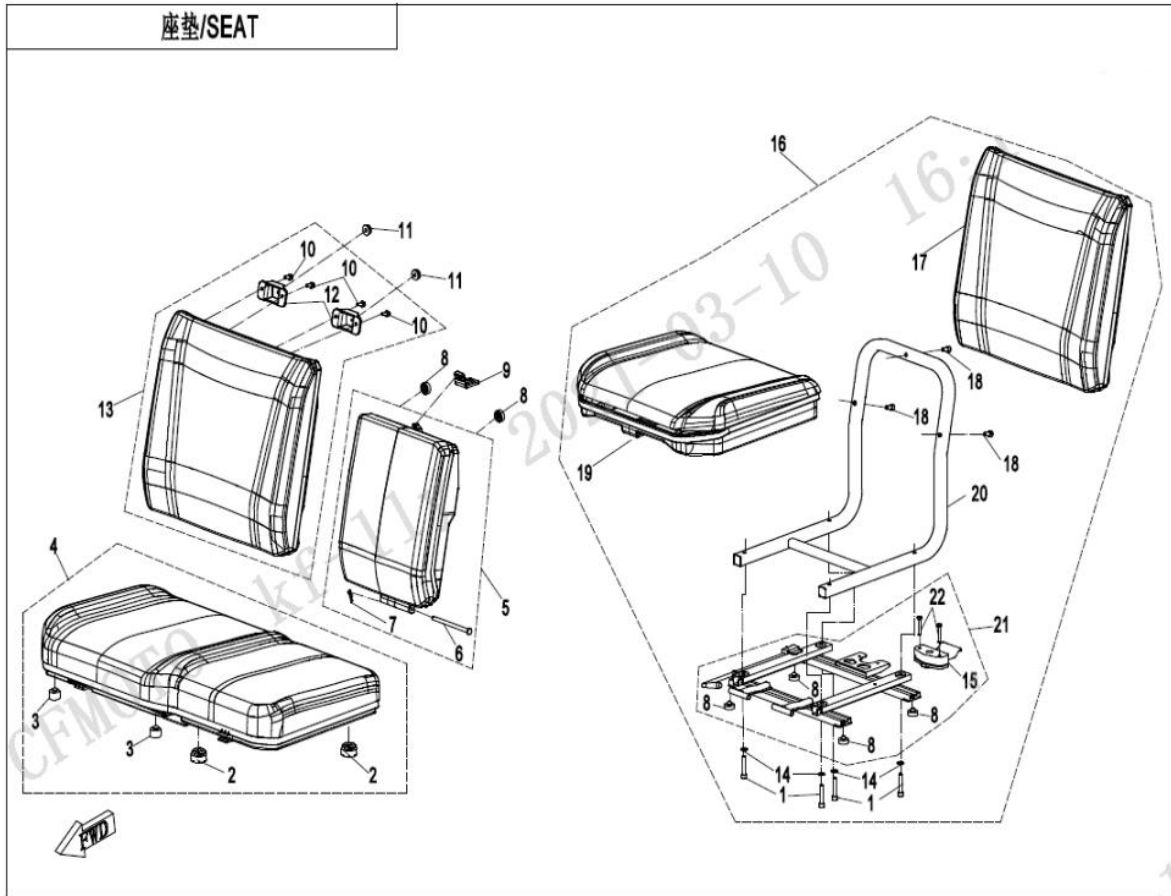
Item No.	Parts Number	Parts Name(EN)	Qty	Specification
01	5HY0-120100	FUEL TANK, PLASTIC	1	
02	7020-120103	DAMPER, FUEL TANK	2	
03	7020-120160	CUSHION LINER, FUEL TANK	2	
04	30006-060030810	BOLT M6x30	2	M6x30
05	7020-120006	CLAMP Dia 16.6	6	
06	A000-050015	WIRE CLIP, FRONT BRAKE FLUID HOSE	6	
07	5190-020102	RUBBER DAMPER	1	
08	5HY0-120002	STRIP, FUEL TANK	1	
09	30006-100020810	BOLT M10x20	1	M10x20
10	5HY0-120001	BRACKET, OIL PIPE	1	
11	5HY0-120210	HIGH-PRESSURE FUEL HOSE ASSY 1	1	
12	5HY#-120220-1000	HIGH PRESSURE FUEL HOSE 2	1	
13	5HY#-120230-1000	HIGH PRESSURE FUEL HOSE 3	1	
14	5HY#-120003-1000	OIL HOSE CONVERTING BRACKET	1	
15	5HY0-120004	T-JOINT, OIL PIPE	1	
16	30006-060010810	BOLT M6x10	3	GB5789 M6x10 TRIVALENT CHROMIUM 8.8
17	9AW#-120002-2500	RUBBER, FUEL TANK FILLER	1	
18	6090-120210	QUICK JOINT	3	
19	9AWV-120102-2500	SEAL RING, FUEL PUMP	1	
20	9AWV-120101-2500	CAP, FUEL PUMP	1	
21	7020-150900	FUEL PUMP	1	
22	9AWA-120001-00001	DAMPER, FUEL TANK	3	

油箱/FUEL TANK



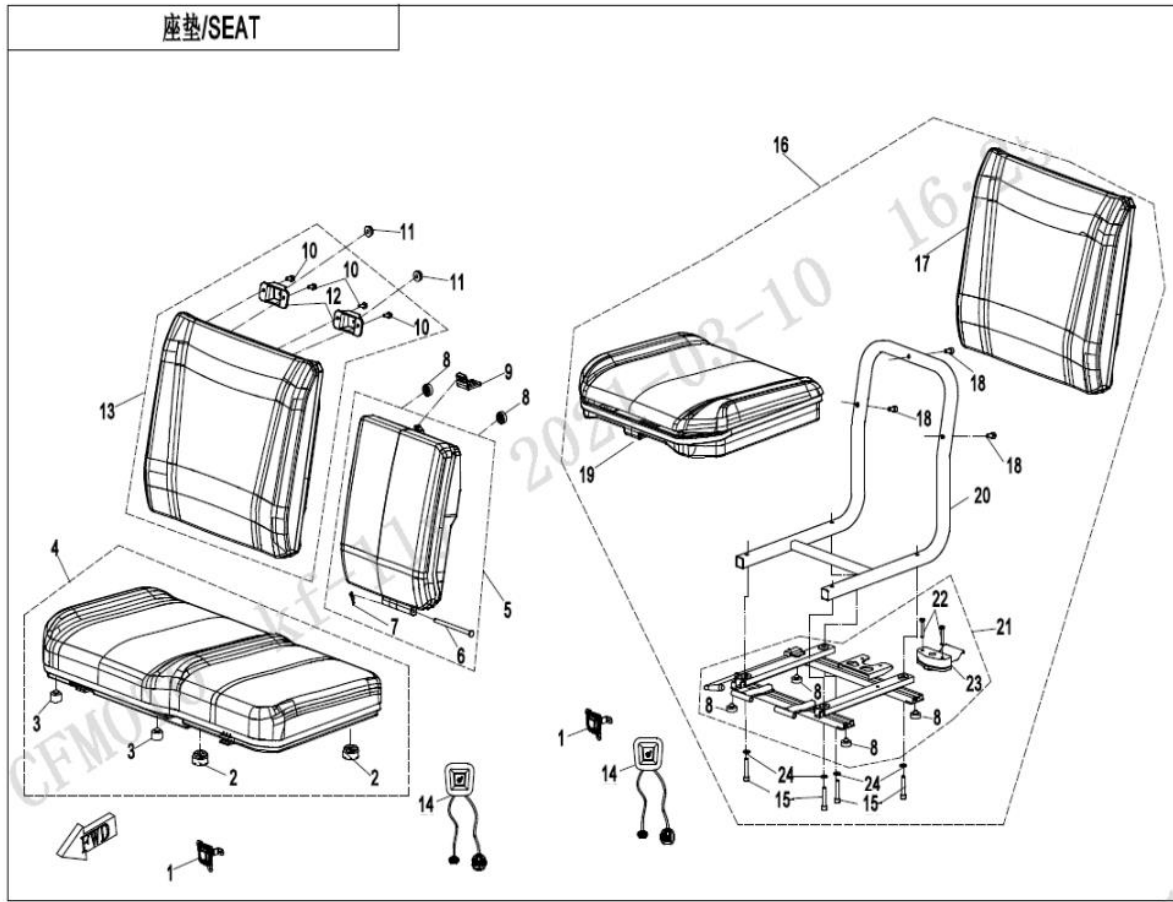
F12-B FUEL TANK (FOR NON FUEL EVAPORATION SYSTEM)

Item No.	Parts Number	Parts Name(EN)	Qty	Specification
01	5HY0-120100	FUEL TANK, PLASTIC	1	
02	7020-120103	DAMPER, FUEL TANK	2	
03	7020-120160	CUSHION LINER, FUEL TANK	2	
04	30006-060030810	BOLT M6x30	2	M6x30
05	7020-120006	CLAMP Dia 16.6	6	
06	A000-050015	WIRE CLIP, FRONT BRAKE FLUID HOSE	6	
07	5190-020102	RUBBER DAMPER	1	
08	5HY0-120002	STRIP, FUEL TANK	1	
09	30006-100020810	BOLT M10x20	1	M10x20
10	5HY0-120001	BRACKET, OIL PIPE	1	
11	5HY0-120210	HIGH-PRESSURE FUEL HOSE ASSY 1	1	
12	5HY#-120220-1000	HIGH PRESSURE FUEL HOSE 2	1	
13	5HY#-120230-1000	HIGH PRESSURE FUEL HOSE 3	1	
14	5HY#-120003-1000	OIL HOSE CONVERTING BRACKET	1	
15	5HY0-120004	T-JOINT, OIL PIPE	1	
16	30006-060010810	BOLT M6x10	3	GB5789 M6x10 TRIVALENT CHROMIUM 8.8
17	8080-120005	FUEL VAPOR HOSE V	1	
18	30601-112010	CLAMP A12	1	A12
19	9AWV-120102-2500	SEAL RING, FUEL PUMP	1	
20	9AWV-120101-2500	CAP, FUEL PUMP	1	
21	7020-150900	FUEL PUMP	1	
22	9AWA-120001-00001	DAMPER, FUEL TANK	3	
23	9AW#-120002-2500	RUBBER, FUEL TANK FILLER	1	
24	6090-120210	QUICK JOINT	3	



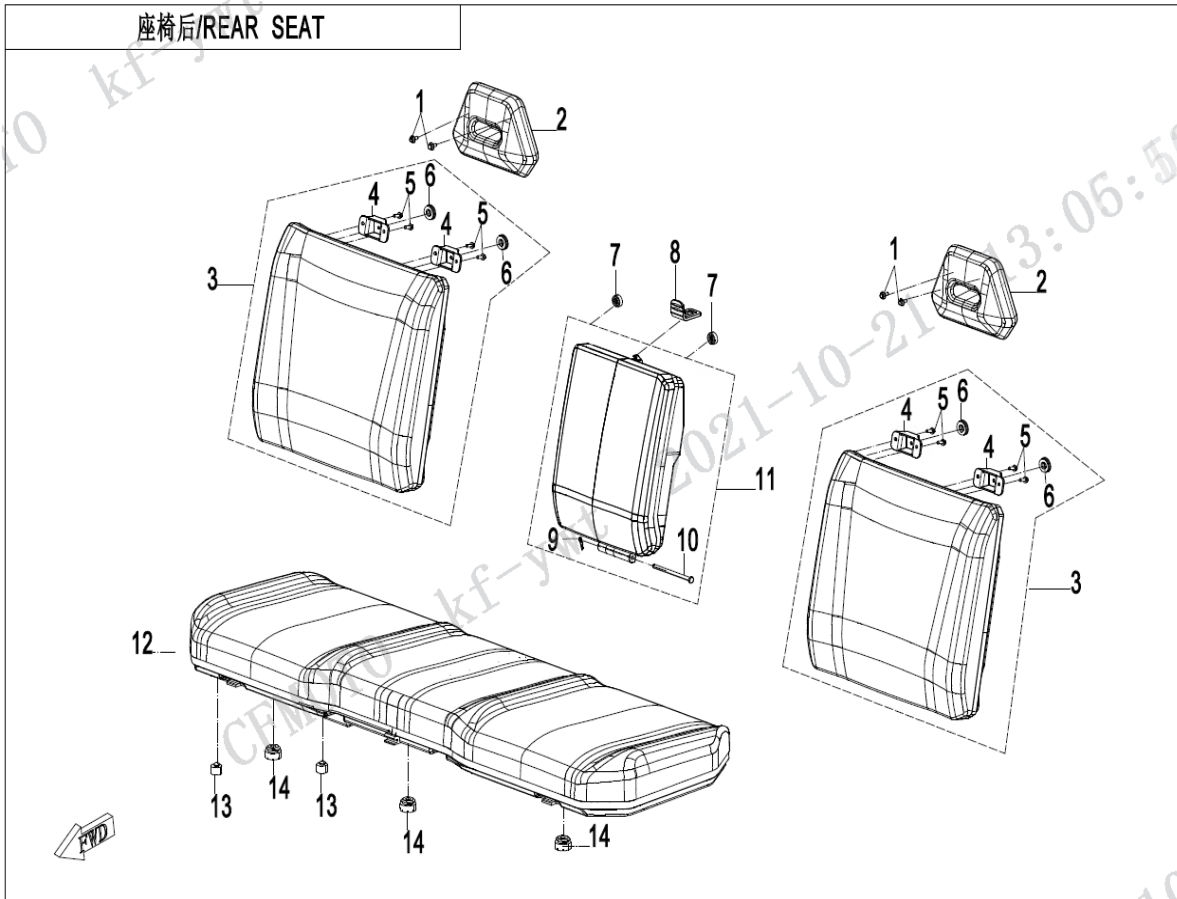
### F13-1-A FRONT SEAT(NON HEATING EQUIPMENT)

Item No.	Parts Number	Parts Name(EN)	Qty	Specification
01	30102-080045170	SCREW	4	
02	7020-130001	RUBBER SLEEVE, SEAT	2	
03	5HY0-132004	CUSHION RUBBER WAHSER	2	
04	5HY0-132000-40000	PASSENGER SEAT	1	
05	5HYV-134000-1C00	BACKREST	1	
06	30904-080A220	PIN SHAFT	1	
07	30910-0183220	LOCK PIN	1	
08	6KM0-130205	RUBBER	6	
09	7020-140002	TIE BAND, RACK COVER	1	
10	30006-060016870	BOLT M6x16	4	M6x16
11	5HY#-130002-1000	BACKREST DAMPING MAT	2	
12	5HY#-133001-1000	REAR BRACKET	2	
13	5HY#-133000-1000	BACKREST ASSY	1	
14	30306-080870	WASHER	4	
15	5HY0-131140	SEAT LOCK	1	
16	5HY0-131000-50000	DRIVER SEAT ASSY	1	
17	5HY0-131300-10000	MAIN BACKREST	1	
18	30102-080016170	SCREW M8x16	3	
19	5HY0-131200-10000	DRIVER SEAT ASSY	1	
20	5HY0-131010	SUPPORT	1	
21	5HY0-131100-10000	BOTTOM BRACKET, MAIN SEAT	1	
22	30003-060035840	BOLT M6x35	2	M6x35



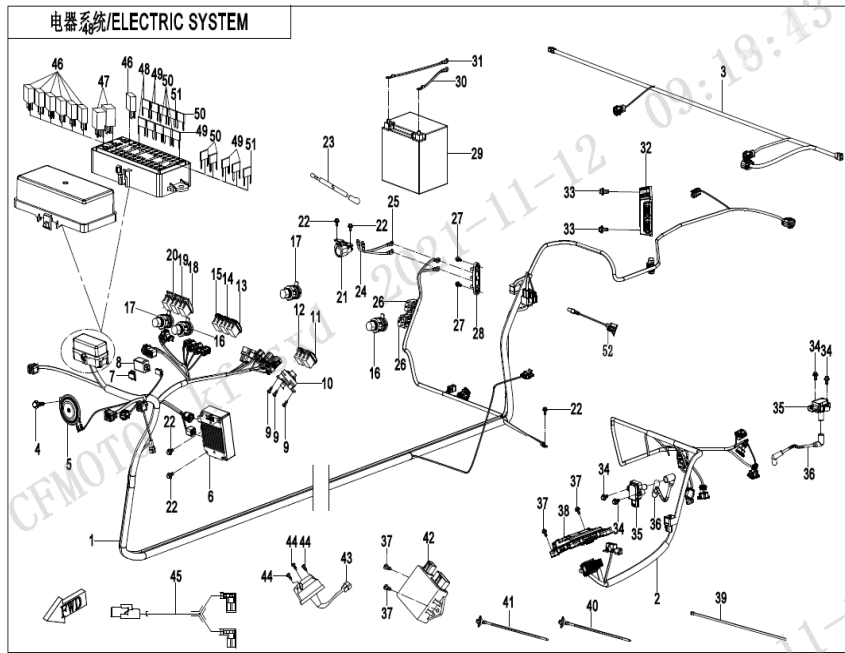
### F13-1-B SEAT (HEATING EQUIPMENT)

Item No.	Parts Number	Parts Name(EN)	Qty	Specification
01	5HY0-130001	BRACKET, HEATING SWITCH	2	
02	7020-130001	RUBBER SLEEVE, SEAT	2	
03	5HY0-132004	CUSHION RUBBER WAHSER	2	
04	5HY0-132000-30000	HEATED PASSENGER SEAT	1	
05	5HYV-134000-1C00	BACKREST	1	
06	30904-080A220	PIN SHAFT	1	
07	30910-0183220	LOCK PIN	1	
08	6KM0-130205	RUBBER	6	
09	7020-140002	TIE BAND, RACK COVER	1	
10	30006-060016870	BOLT M6x16	4	M6x16
11	5HY#-130002-1000	BACKREST DAMPING MAT	2	
12	5HY#-133001-1000	REAR BRACKET	2	
13	5HY#-133000-1000	BACKREST ASSY	1	
14	5HY0-136000	SEAT HEATING SWITCH	2	
15	30102-080045170	SCREW	4	
16	5HY0-131000-40000	DRIVER HEATED SEAT	1	
17	5HY0-131300-10000	MAIN BACKREST	1	
18	30102-080016170	SCREW M8x16	3	
19	5HY0-131200-20000	DRIVER SEAT ASSY	1	
20	5HY0-131010	SUPPORT	1	
21	5HY0-131100-10000	BOTTOM BRACKET, MAIN SEAT	1	
22	30003-060035840	BOLT M6x35	2	M6x35
23	5HY0-131140	SEAT LOCK	1	
24	30306-080870	WASHER	4	



## F13-2 REAR SEAT

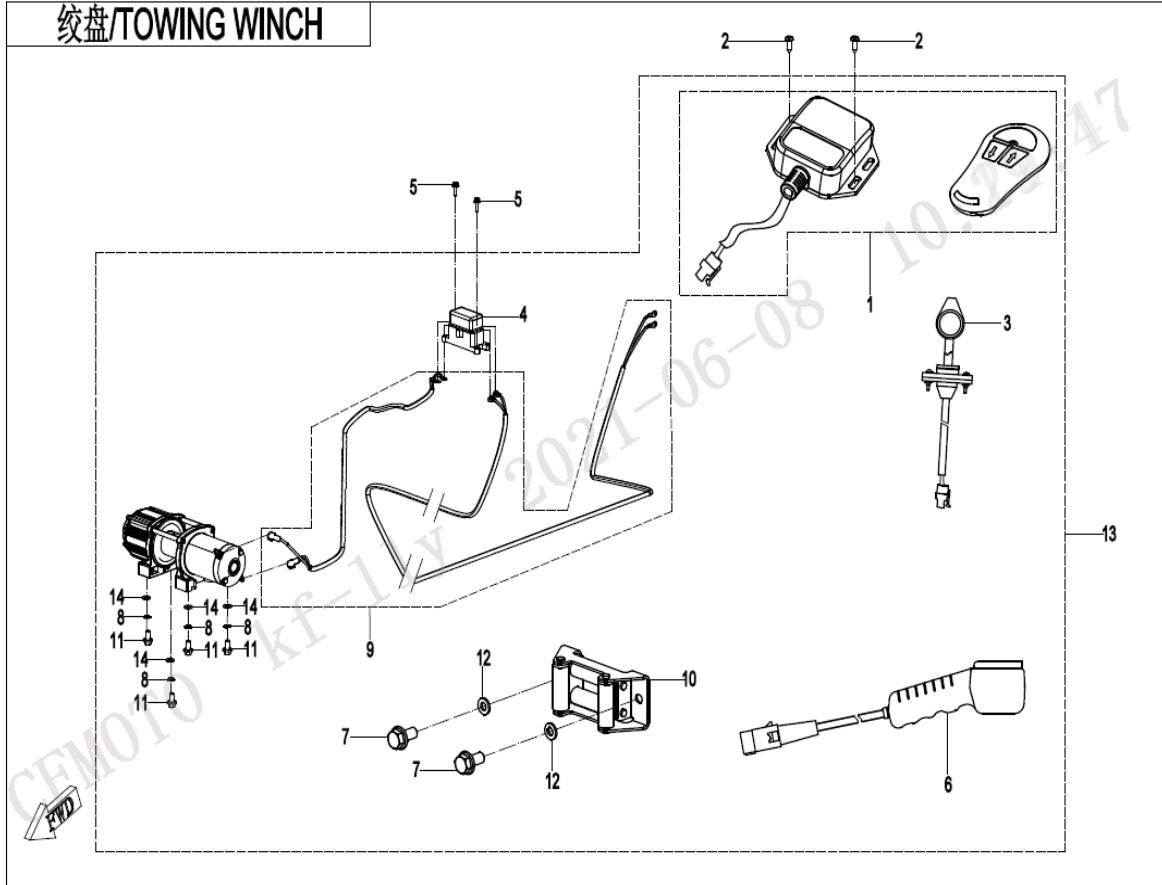
Item No.	Parts Number	Parts Name(EN)	Qty	Specification
01	5HY#-040001-1000	BOLT M6x14	4	
02	5HY0-135000	HEAD REST	2	
03	5HY#-133000-1000	BACKREST ASSY	2	
04	5HY#-133001-1000	REAR BRACKET	4	
05	30006-060016870	BOLT M6x16	8	M6x16
06	5HY#-130002-1000	BACKREST DAMPING MAT	4	
07	6KM0-130205	RUBBER	2	
08	7020-140002	TIE BAND, RACK COVER	1	
09	30910-0183220	LOCK PIN	1	
10	30904-080A220	PIN SHAFT	1	
11	5HYV-134000-1C00	BACKREST	1	
12	5SYV-133000-6000	REAR SEAT	1	
13	5HY0-132004	CUSHION RUBBER WAHSER	2	
14	7020-130001	RUBBER SLEEVE, SEAT	3	



F15-1 ELECTRIC SYSTEM

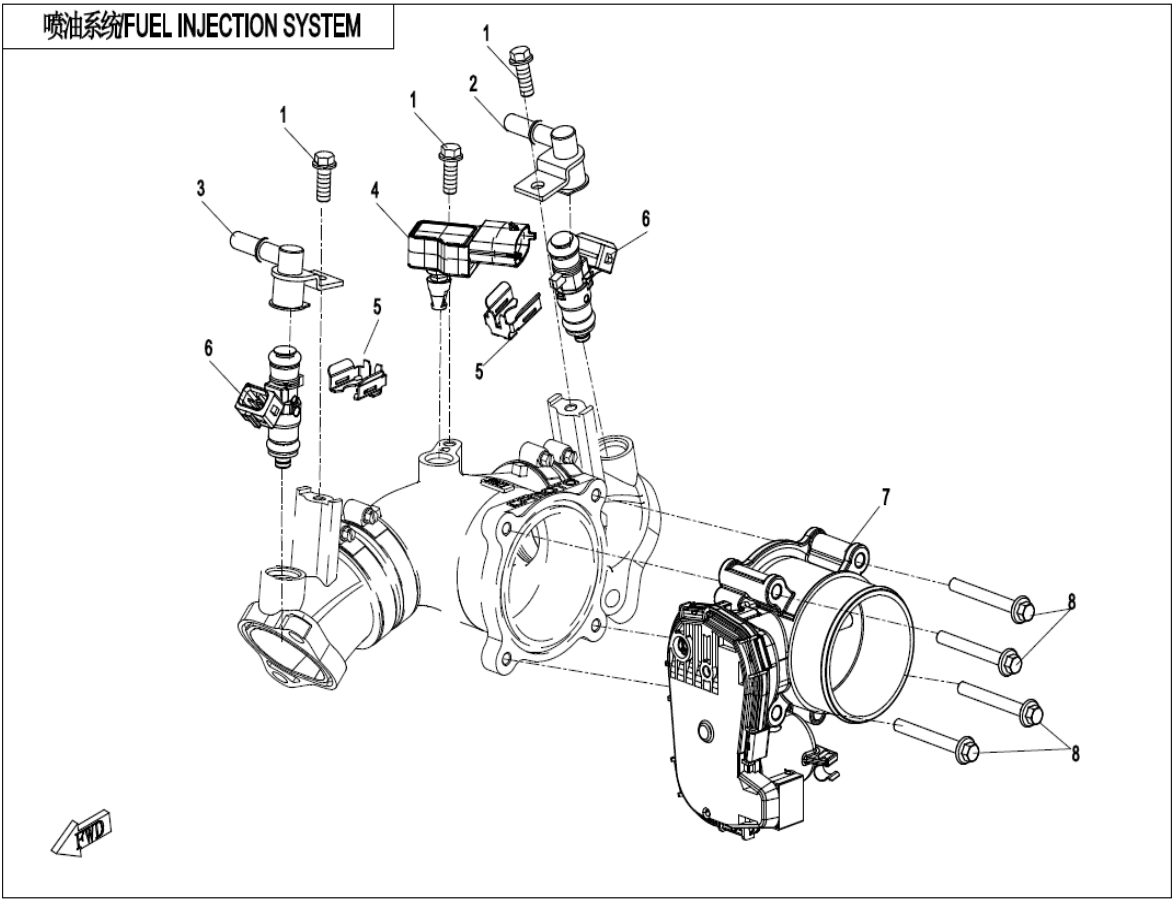
Item No.	Parts Number	Parts Name(EN)	Qty	Specification
01	5SYV-150100-6000	MAIN CABLE	1	
02	5SYV-150200-6000	AUXILIARY CABLE, EFI	1	
03	5HYO-150300-20000	AUXILIARY CABLE, TAIL LIGHT	1	
04	30006-080014810	BOLT M8x14	1	M8x14
05	6060-150600	ELECTRIC HORN	1	
06	5HYO-150810-10000	EPS CONTROLLER	1	
06	5HYV-150810-1800	EPS CONTROLLER	1	
07	8010-150002	CUSHION WASHER, FLASHER	1	
08	9AWA-150340-10000	FLASHER	1	
09	30110-480160010	SELF-TAPPING SCREW ST4.8x16	3	ST4.8x16
10	5ASV-160700-6000	2WD/4WD SWITCH ASSY	1	
11	5ASV-169030-6001	DIMMER SWITCH	1	
12	5ASV-169020-6001	ILLUMINATION SWITCH	1	
13	5ASV-169010-6001	STOP SWITCH	1	
14	5ASV-169090-6001	MODE SWITCH	1	
15	5ASV-169050-6001	OVERRIDE SWITCH	1	
16	6WWW-150500-5000-10	POWER OUTLET	2	
17	6WWW-150600-5000-10	USB OUTLET SOCKET ASSY	2	
18	5ASV-169040-6001	HORN SWITCH	1	
19	5ASV-169060-6001	TURN SWITCH	1	
20	5ASV-169070-6001	HAZARD SWITCH	1	
21	5270-150500	STARTER RELAY	1	
22	30006-060012810	BOLT M6x12	5	M6x12
23	5HYO-150220	CABLE,STARTER	1	
24	5HYO-150240-10000	CABLE, STARTER RELAY	1	
25	5HYO-150250-10000	NEGATIVE CABLE, STARTER	1	
26	9CR6-103501	FUSE 40A	2	40A
27	30006-060016810	BOLT M6x16	2	M6x16
28	5SYO-151610-6000	TERMINAL, CABLE	1	WITH KAIDI PLUG
29	31023004	BATTERY	1	DYNAVOLT,12V30Ah
30	5HYO-150230-10000	NEGATIVE WIRE, BATTERY	1	
31	5HYO-150210-10000	POSITIVE WIRE, BATTERY	1	
32	0800-177000-30000	REGULATOR	1	600W
33	30006-060030810	BOLT M6x30	2	M6x30
34	30006-060025810	BOLT M6x25	4	M6x25
35	018B-178000		2	
36	0GRB-178000	HIGH-TENSION CABLE	2	
36	0GRB-178000-10000	HIGH-TENSION CABLE	2	
37	30006-060020810	BOLT M6x20	4	M6x20
38	5SYV-001000-6000	ECU ASSY	1	EPA(50 STATES)
38	5SYV-001000-6100	ECU ASSY	1	49 STATES
38	5SYV-001000-6100-01	ECU ASSY	1	INTL
39	7030-150005	TIE BAND	15	
40	8010-150003	TIE BAND	10	5x250
41	9DS#-150009-6100-M1	TIE BAND ZDG4.7x194	1	
42	9AWA-150880-20000	DRL CONTROLLER	1	
43	7020-150800-20000	TAILER POWER SOCKET	1	
44	30105-050030410	SCREW M5x30	3	M5x30
45	5HYV-150191-2900	ADAPTOR CABLE, HORN	1	
46	5BY4-150330	AUXILIARY RELAY	7	
47	9010-150350	AUXILIARY RELAY	2	
48	806A-151307	25A FUSE	2	
49	806A-151305	FUSE 15A	5	15A
50	806A-151302	FUSE 10A	6	10A
51	8010-151301	FUSE 5A	2	5A
52	0JWA-012202-10000	ADAPTOR CABLE, OIL PRESSURE SWITCH	1	

# 绞盘/TOWING WINCH



## F15-2 TOWING WINCH

Item No.	Parts Number	Parts Name(EN)	Qty	Specification
01	5HYV-1507A0	REMOTE CONTROLLER, WINCH	1	
02	30110-420095010	SELF-TAPPING SCREW ST4.2x9.5	2	ST4.2x9.5
03	5HYV-150730-1C01	CONTROL SWITCH SEAT, WINCH	1	
04	5HYV-150720-1C00	WINCH CONTROL RELAY	1	
05	30006-060020810	BOLT M6x20	2	M6x20
06	7030-150770	CONTROL LEVER, WINCH	1	
07	30006-102025810	BOLT M10x1.25x25	2	M10x1.25x25
08	30303-080112	WASHER	4	8
09	5SYV-150130-6000	WINCH CABLE	1	
10	7030-150790	CABLE PULLEY	1	
11	30006-080025810	BOLT	4	M8x25
12	30303-100112	WASHER	2	
13	5SYV-150700-6000	WINCH ASSY	1	
13	5SYV-150700-6001	WINCH ASSY	1	
14	30304-080420	WASHER	4	

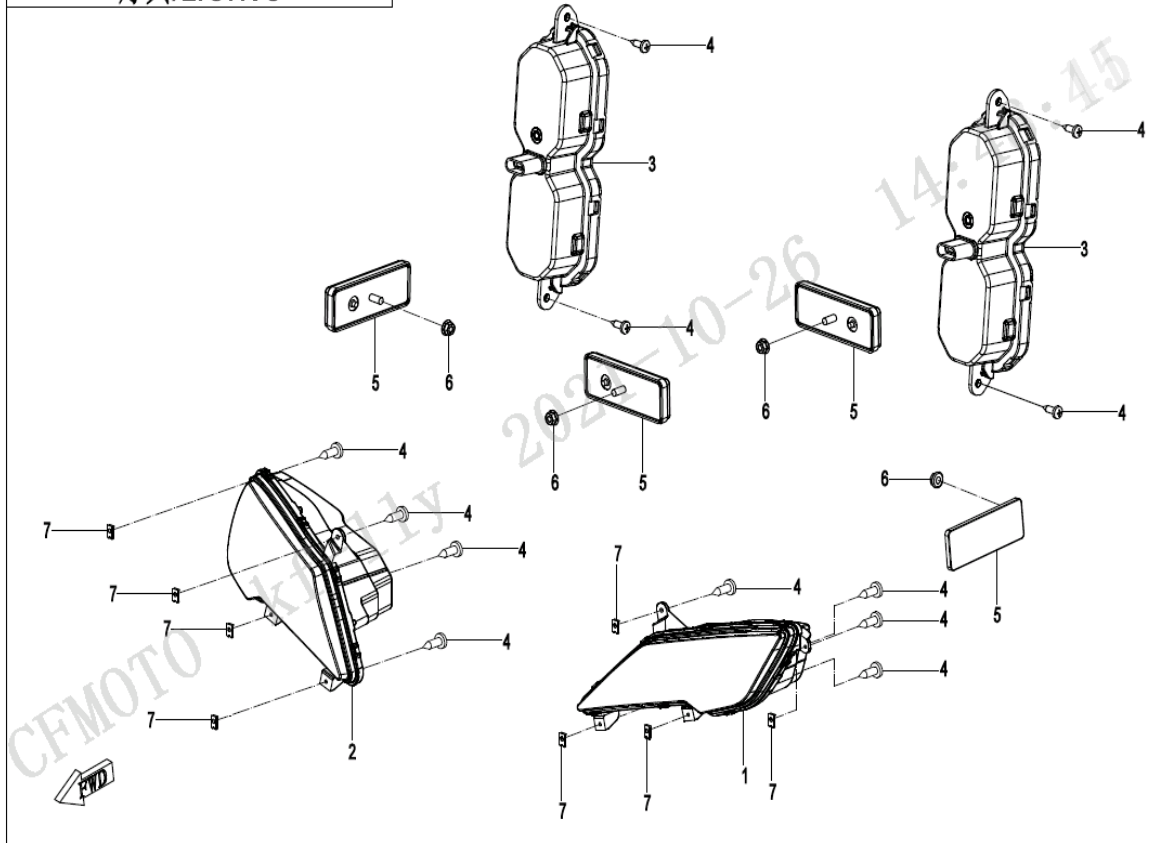


### F15-3 FUEL INJECTION SYSTEM

Item No.	Parts Number	Parts Name(EN)	Qty	Specification
01	0010-090005-0010	BOLT M6x16	3	M6x16
02	OJYA-170020-10000	INJECTOR CAP 2	1	
03	OJYA-170010-10000	INJECTOR CAP 1	1	
04	OJYO-175000	T-MAP	1	
05	OJYA-170001	CLASP	2	
06	OJYA-171000	FUEL INJECTOR	2	
07	OJYA-173000	THROTTLE BODY ASSY	1	
08	0010-013010-0010	BOLT M6x50	4	M6x50



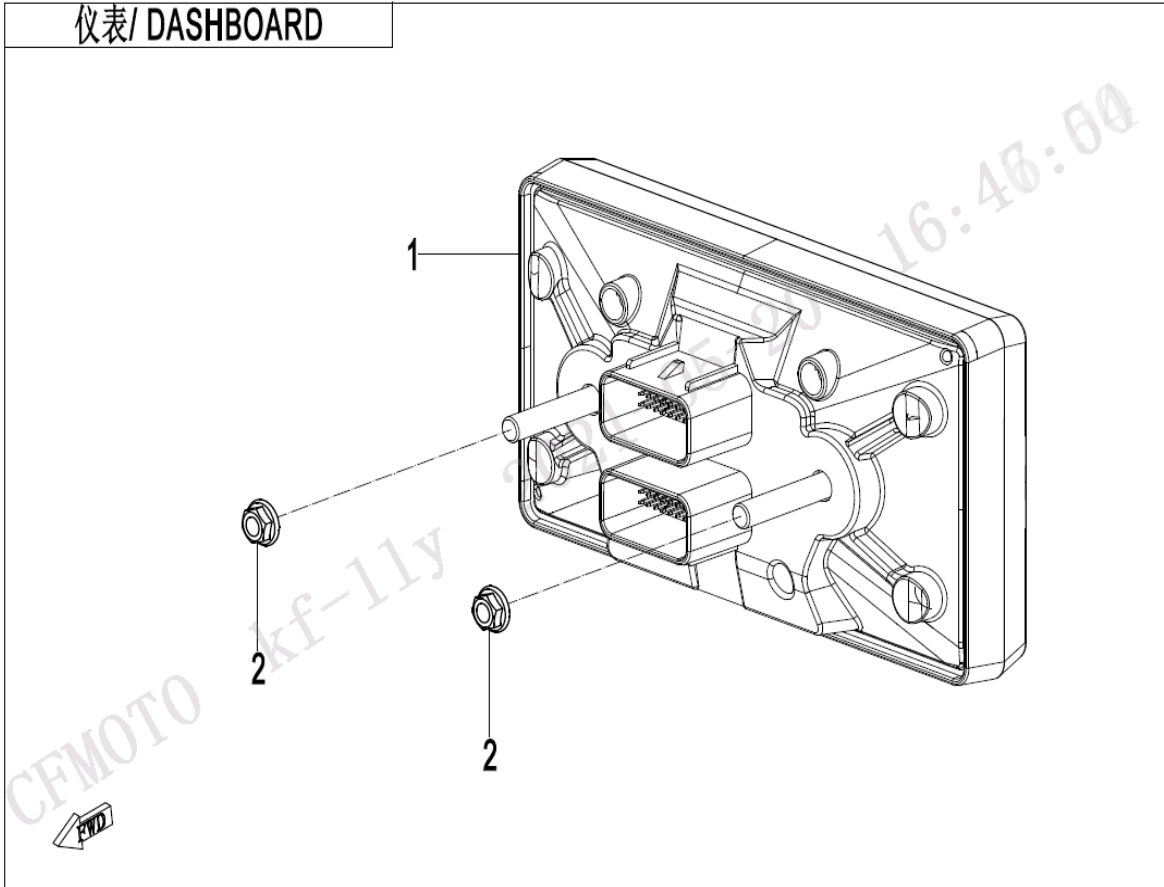
## 灯具/LIGHTS



## F16 LIGHTS

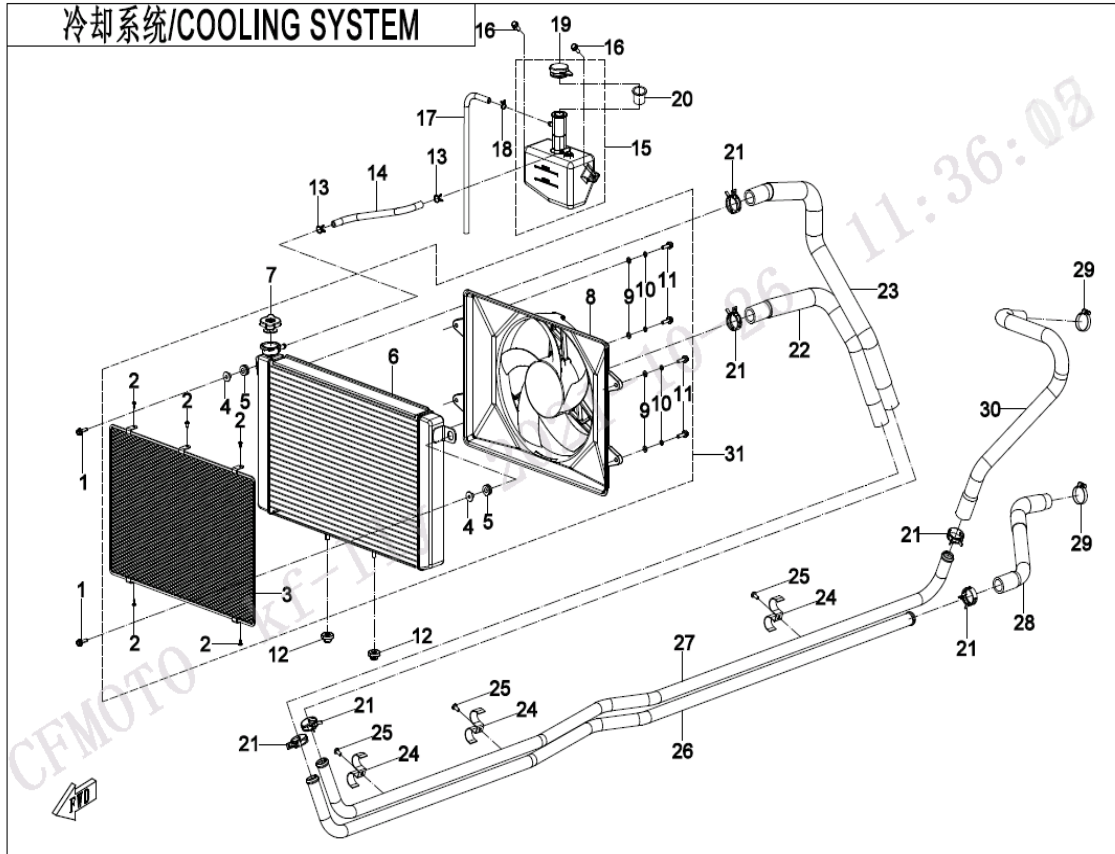
Item No.	Parts Number	Parts Name(EN)	Qty	Specification
01	9AWA-160110-40000	LH HEADLIGHT	1	
01	9AWA-160110-50000	LH HEADLIGHT	1	WITHOUT TURNING LIGHT
01	9AWV-160110-4000-M1	LH HEADLIGHT	1	
01	9AWV-160110-7400-M1	LH HEADLIGHT	1	
01	9AWV-160110-4001-M1	LH HEADLIGHT	1	
01	9AWV-160110-7401-M1	LH HEADLIGHT	1	
02	9AWA-160120-40000	RH HEADLIGHT	1	
02	9AWA-160120-50000	RH HEADLIGHT	1	WITHOUT TURNING LIGHT
02	9AWV-160120-4000-M1	RH HEADLIGHT	1	
02	9AWV-160120-7400-M1	RH HEADLIGHT	1	
02	9AWV-160120-4001-M1	RH HEADLIGHT	1	
02	9AWV-160120-7401-M1	RH HEADLIGHT	1	
03	5HY3-160210-10000	TAIL LIGHT	2	
03	5HY0-160210-10000	TAIL LIGHT	2	
04	30110-480160010	SELF-TAPPING SCREW ST4.8x16	12	ST4.8x16
05	5190-160230	REAR REFLECTOR	4	RECTANGLE, RED
06	30202-050110	NUT M5	4	M5
07	8010-000002	CLAMP ST4.2	8	ST4.2

仪表/ DASHBOARD



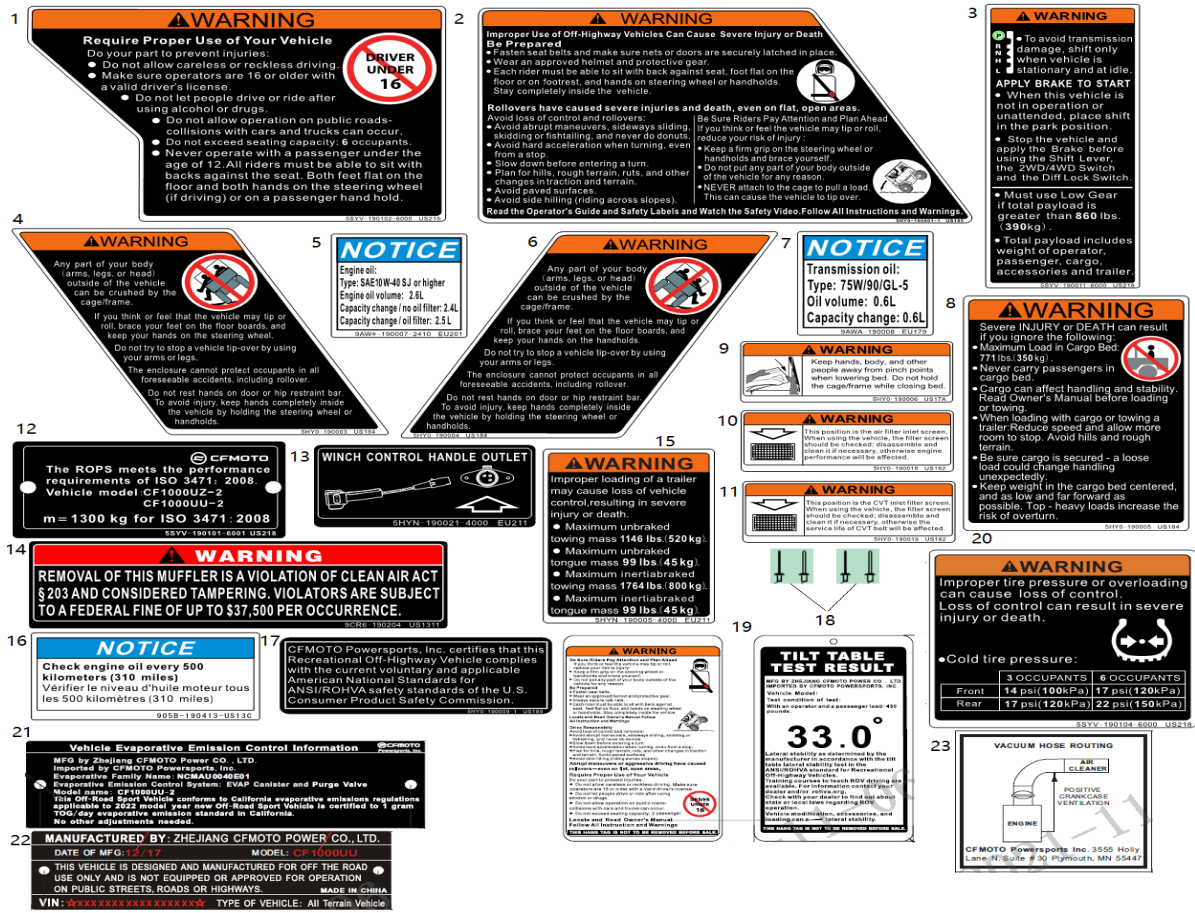
F17 DASHBOARD

Item No.	Parts Number	Parts Name(EN)	Qty	Specification
01	5HYV-171000-1C00	LCD DASHBOARD	1	
02	30202-060110	NUT M6	2	M6



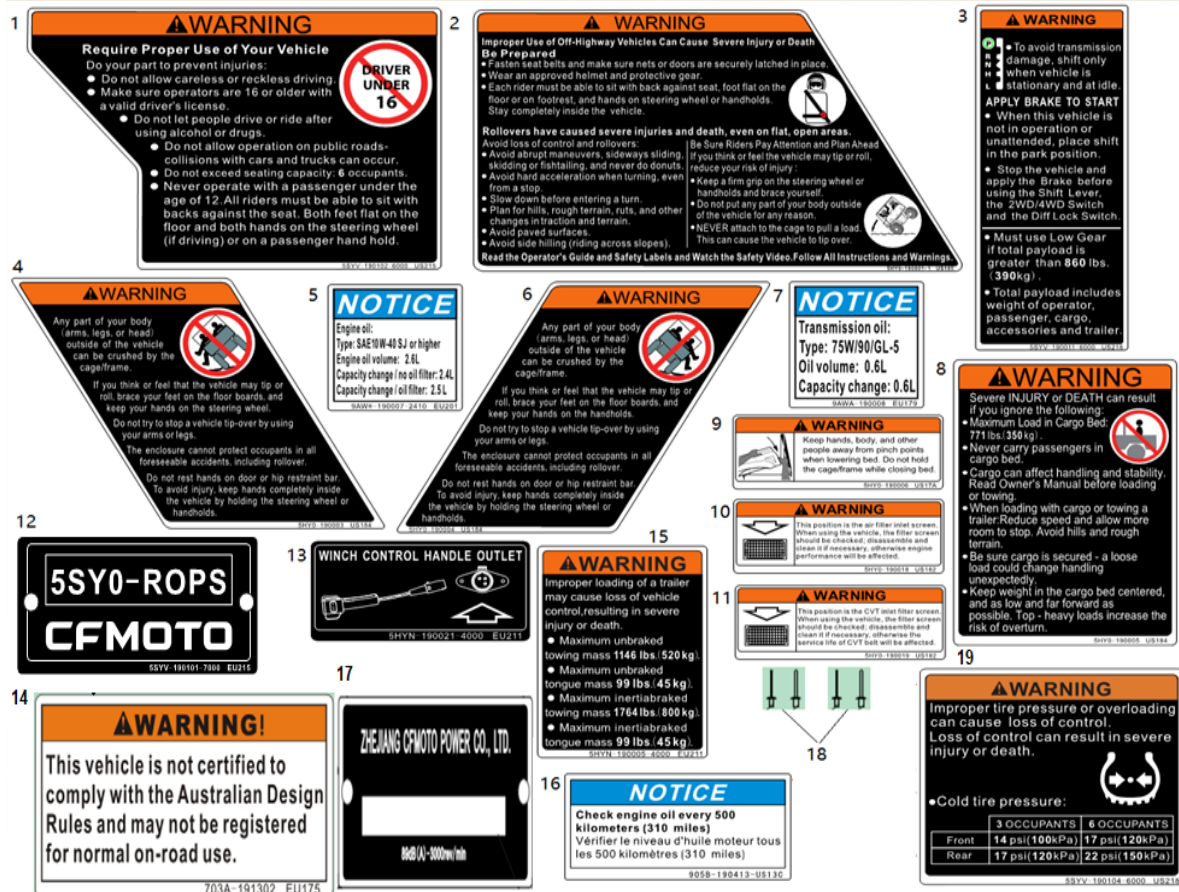
## F18 COOLING SYSTEM

Item No.	Parts Number	Parts Name(EN)	Qty	Specification
01	30006-060020810	BOLT M6x20	2	M6x20
02	30110-350095010	SELF-TAPPING SCREW ST3.5x9.5	5	ST3.5x9.5
03	5HY0-181010	PROTECTOR, RADIATOR	1	
04	9060-180029	RUBBER CUSHION TUBE, RADIATOR	2	
05	9060-180027	RUBBER CUSHION, RADIATOR	2	
06	5HY0-181100	RADIATOR ASSY	1	
07	8010-180024	CAP, WATER FILLER	1	
08	5HY0-181400-10000	FAN MOTOR ASSY	1	
09	30306-060112	WASHER	4	6
10	30303-060920	WASHER	4	6
11	30006-060025810	BOLT M6x25	4	M6x25
12	9060-180026	PIN RUBBER CAP, RADIATOR	2	
13	30601-113010	CLAMP A13	2	A13
14	5HY0-180003	CONNECTING PIPE, RESERVOIR TANK	1	
15	5HY0-180010	RESERVOIR TANK ASSY	1	
16	30006-060016810	BOLT M6x16	2	M6x16
17	5HY0-180008	OVERFLOW HOSE, RESERVOIR	1	
18	30601-111010	CLAMP A11	1	A11
19	8010-180023	CAP, RESERVOIR TANK	1	
20	9060-180903	GASKET, RESERVOIR	1	
21	7000-180007-00001	STEEL BAND CLAMP 34	6	
22	5HYV-180002-1C00	WATER OUTLET PIPE, RADIATOR	1	
23	5HYV-180001-1C00	WATER INLET PIPE, RADIATOR	1	
24	9030-180006	CLASP, WATER HOSE	3	
25	30112-060016410	SCREW ASSY M6x16	3	M6x16
26	5SYV-180007-6000	WATER OUTLET PIPE, ALUMINUM	1	
27	5SYV-180006-6000	WATER INLET PIPE, ALUMINUM	1	
28	5HYV-180005-1C00	WATER INLET PIPE, ENGINE	1	
29	9010-180007	CLAMP, WATER HOSE	2	
30	5HYV-180004-1C00	WATER OUTLET PIPE, ENGINE	1	
31	5HY0-181000-10000	RADIATOR ASSY	1	



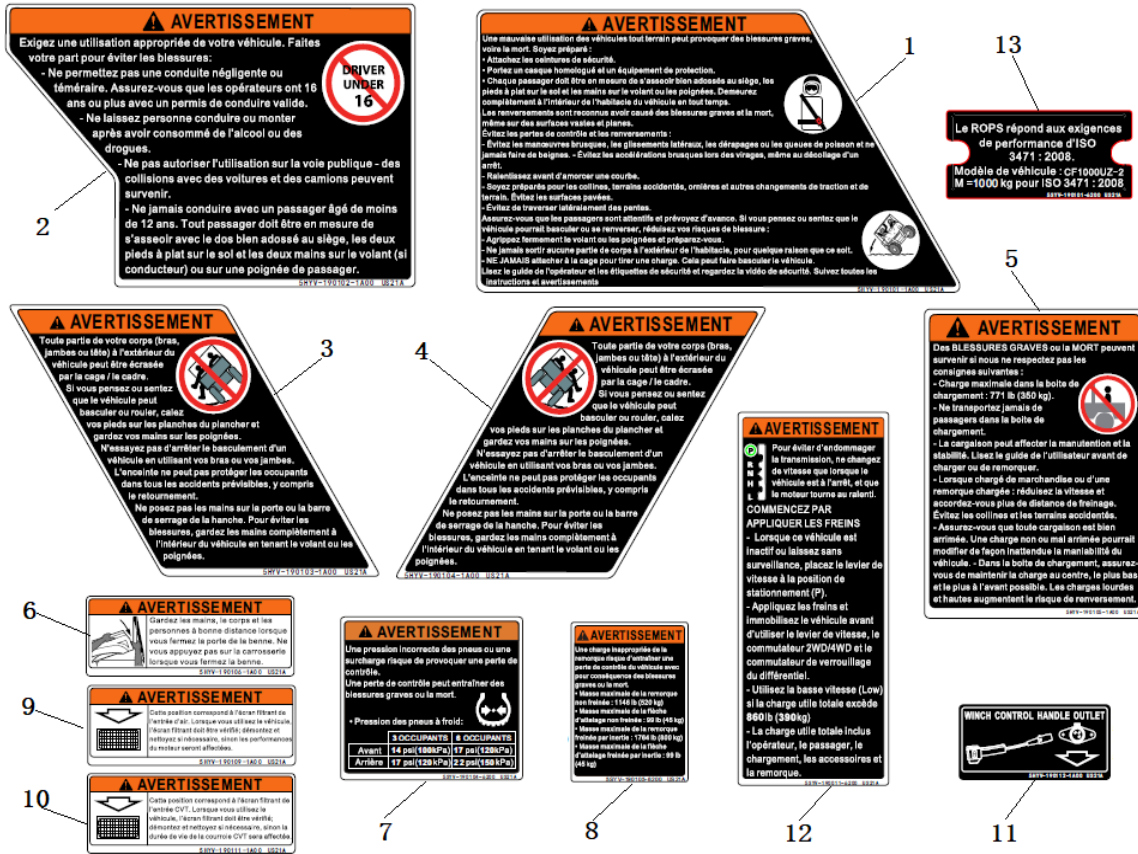
## F19-1-A WARNING DECAL (NA)

Item No.	Parts Number	Parts Name(EN)	Qty	Specification
1	5SYV-190102-6000	WARNING LABEL, SAFETY	1	
2	5HY0-190001-10000	WARNING LABEL, DRIVING	1	
3	5SYV-190011-6000	INSTRUCTION LABEL, GEAR OPERATION	1	
4	5HY0-190003	LH INSTRUCTION LABEL, SAFETY WARNING	1	
5	9AW#-190007-2410	LABEL, ENGINE OI	1	
6	5HY0-190004	RH INSTRUCTION LABEL, SAFETY WARNING	1	
7	9AWA-190008	LABEL, GEARCASE OIL	1	
8	5HY0-190005	INSTRUCTION LABEL, CARGO BOX LOAD	1	
9	5HY0-190006	WARNING LABEL, CARGO BOX	2	
10	5HY0-190018	WARNING LABEL, AIR FILTER AIR INLET PORT	1	
11	5HY0-190019	WARNING LABEL, CVT AIR INLET PORT	1	
12	5SYV-190101-6001	WARNING PLATE, ANTI-ROLLING BAR	1	
13	5HYV-190021-4000	LABEL, WINCH CONTROL LEVER	1	
14	9CR6-190204	DECAL, EMISSION CONTROL	1	EPA
15	5HYV-190005-4000	INSTRUCTION LABEL, TOWING LOAD	1	
16	905B-190413	WARNING DECAL, ENGINE OIL	1	
17	5HY0-190009-10000	DECAL, HOMOLOGATION	1	
18	30902-0400820	BLIND RIVET	4	4x8
19	5SYV-190106-6000	HANGTAG	1	
20	5SYV-190104-6000	INSTRUCTION LABEL, TIRE PRESSURE	1	
21	5SYV-19NC01-6000	EVAP LABEL	1	
22	5HY0-190011	VIN PLATE	1	
22	5HYV-190011-1A00	VEHICLE PLATE	1	
23	905B-190412	LABEL, EXHAUST GAS RECYCLING DRAWING	1	



## F19-1-B WARNING DECAL (INTERNATIONAL)

Item No.	Parts Number	Parts Name(EN)	Qty	Specification
1	5SYV-190102-6000	WARNING LABEL, SAFETY	1	
2	5HYV-190001-10000	WARNING LABEL, DRIVING	1	
3	5SYV-190011-6000	INSTRUCTION LABEL, GEAR OPERATION	1	
4	5HYO-190003	LH INSTRUCTION LABEL, SAFETY WARNING	1	
5	9AW#-190007-2410	LABEL, ENGINE OI	1	
6	5HYO-190004	RH INSTRUCTION LABEL, SAFETY WARNING	1	
7	9AWA-190008	LABEL, GEARCASE OIL	1	
8	5HYO-190005	INSTRUCTION LABEL, CARGO BOX LOAD	1	
9	5HYO-190006	WARNING LABEL, CARGO BOX	2	
10	5HYO-190018	WARNING LABEL, AIR FILTER AIR INLET PORT	1	
11	5HYO-190019	WARNING LABEL, CVT AIR INLET PORT	1	
12	5SYV-190101-7000	WARNING PLATE, ANTI-ROLLING BAR	1	
13	5HYV-190021-4000	LABEL, WINCH CONTROL LEVER	1	
14	703A-191302	SAFETY WARNING LABEL	1	
15	5HYV-190005-4000	INSTRUCTION LABEL, TOWING LOAD	1	
16	905B-190413	WARNING DECAL, ENGINE OIL	1	
17	703A-190011	VIN PLATE	1	AUSTRALIA
17	9GQO-190003	VEHICLE PLATE_2020	1	
18	30902-0400820	BLIND RIVET	4	4x8
19	5SYV-190104-6000	INSTRUCTION LABEL, TIRE PRESSURE	1	



## F19-1-C WARNING DECAL (CA)

Item No.	Parts Number	Parts Name(EN)	Qty	Specification
01	5HYV-190101-1A00	WARNING LABEL, DRIVING	1	
02	5HYV-190102-1A00	WARNING LABEL, SAFETY	1	
03	5HYV-190103-1A00	LH INSTRUCTION LABEL, SAFETY WARNING	1	
04	5HYV-190104-1A00	RH INSTRUCTION LABEL, SAFETY WARNING	1	
05	5HYV-190105-1A00	INSTRUCTION LABEL, CARGO BOX LOAD	1	
06	5HYV-190106-1A00	WARNING LABEL, CARGO BOX	2	
07	5SYV-190104-6200	INSTRUCTION LABEL, TIRE PRESSURE	1	
08	5SYV-190105-6200	INSTRUCTION LABEL, TOWING LOAD	1	
09	5HYV-190109-1A00	WARNING LABEL, AIR FILTER AIR INLET PORT	1	
10	5HYV-190111-1A00	WARNING LABEL, CVT AIR INLET PORT	1	
11	5HYV-190112-1A00	LABEL, WINCH CONTROL LEVER	1	
12	5SYV-190011-6200	INSTRUCTION LABEL, GEAR OPERATION	1	
13	5SYV-190101-6200	WARNING LABEL, ANTI-ROLLING BAR	1	

欧规167

MY'22 CF1000UTR-5 量产贴花完稿  
深海蓝配色

采用透明PVC面料, 亮光光油

刀模线



F19-2-A DECAL KITS (TWILIGHT BLUE)

Item No.	Parts Number	Parts Name(EN)	Qty	Specification
1	5SYV-1901A0	DECAL ASSY	1	
2	5SYV-190001-6000-10	LH DECAL, CARGO BOX	1	
3	5SYV-190002-6000-10	RH DECAL, CARGO BOX	1	
4	5HYV-190003-1A00-10	DECAL, LH TOP COVER	1	
5	5HYV-190004-1A00-10	DECAL, RH TOP COVER	1	
6	5SYV-190005-6000-10	COMMERCIAL NAME DECAL	2	
7	7030-190807	EPS DECAL	2	
8	7030-190809	4X4 DECAL	2	
9	9DS#-190212-6800-10	CVT DECAL	2	
10	5SYV-190006-7000-10	MODEL DECAL	2	

欧规167

MY'22 CF1000UTR-5 量产贴花完稿

深空灰配色

采用透明PVC面料, 哑光光油



F19-2-B DECAL KITS (GALAXY GREY)

Item No.	Parts Number	Parts Name(EN)	Qty	Specification
1	5SYV-1901B0	DECAL ASSY	1	
2	5SYV-190001-6000-11	LH DECAL, CARGO BOX	1	
3	5SYV-190002-6000-11	RH DECAL, CARGO BOX	1	
4	5HYV-190003-1A00-11	DECAL, LH TOP COVER	1	
5	5HYV-190004-1A00-11	DECAL, RH TOP COVER	1	
6	5SYV-190005-6000-10	COMMERCIAL NAME DECAL	2	
7	7030-190807	EPS DECAL	2	
8	7030-190809	4X4 DECAL	2	
9	9DS#-190212-6800-10	CVT DECAL	2	
10	5SYV-190006-7000-10	MODEL DECAL	2	



欧规167

MY'22 CF1000UTR-5 量产贴花完稿

猎装枫叶迷彩配色

采用透明PVC面料, 哑光光油  
刀模线 定位线

PANTONE 402 C

PANTONE Black 4 C

雾银黑

PANTONE Cool Gray 5C

右货箱贴花  
5SYV-190002-6000-12  
900×196  
材料:透明PVC  
哑光光油

UFORCE 1000 XL

左货箱贴花  
5SYV-190001-6000-12  
900×196  
材料:透明PVC  
哑光光油

UFORCE 1000 XL

CFMOTO

CFMOTO

右前面板贴花  
5HYV-190004-1A00-12  
429×120  
材料:透明PVC  
哑光光油

左前面板贴花  
5HYV-190003-1A00-12  
429×120  
材料:透明PVC  
哑光光油

雾银黑

UFORCE 1000 XL

商品名贴花×2  
5SYV-190005-6000-12  
509×49  
材料:3M2008透明PVC  
表面哑光光油

CVT贴花×2  
9DS#-190212-6800-10  
176×26  
材料:3M3690光白  
表面哑光光油



4×4贴花×2  
7030-191109  
97×27  
材料:3M 2008透明PVC  
表面哑光光油



EPS贴花×2  
7030-191107  
97×27  
材料:3M 2008透明PVC  
表面哑光光油



型号贴花×2  
5SYV-190006-7000-12  
90×14  
材料:3M 2008透明PVC  
表面哑光光油

F19-2-C DECAL KITS (TRUE TIMBER CAMO)

Item No.	Parts Number	Parts Name(EN)	Qty	Specification
1	5SYV-1901C0	DECAL ASSY	1	
2	5SYV-190001-6000-12	LH DECAL, CARGO BOX	1	
3	5SYV-190002-6000-12	RH DECAL, CARGO BOX	1	
4	5HYV-190003-1A00-12	DECAL, LH TOP COVER	1	
5	5HYV-190004-1A00-12	DECAL, RH TOP COVER	1	
6	5SYV-190005-6000-12	COMMERCIAL NAME DECAL	2	
7	7030-191107	EPS DECAL	2	
8	7030-191109	4X4 DECAL	2	
9	9DS#-190212-6800-10	CVT DECAL	2	
10	5SYV-190006-7000-12	MODEL DECAL	2	

1



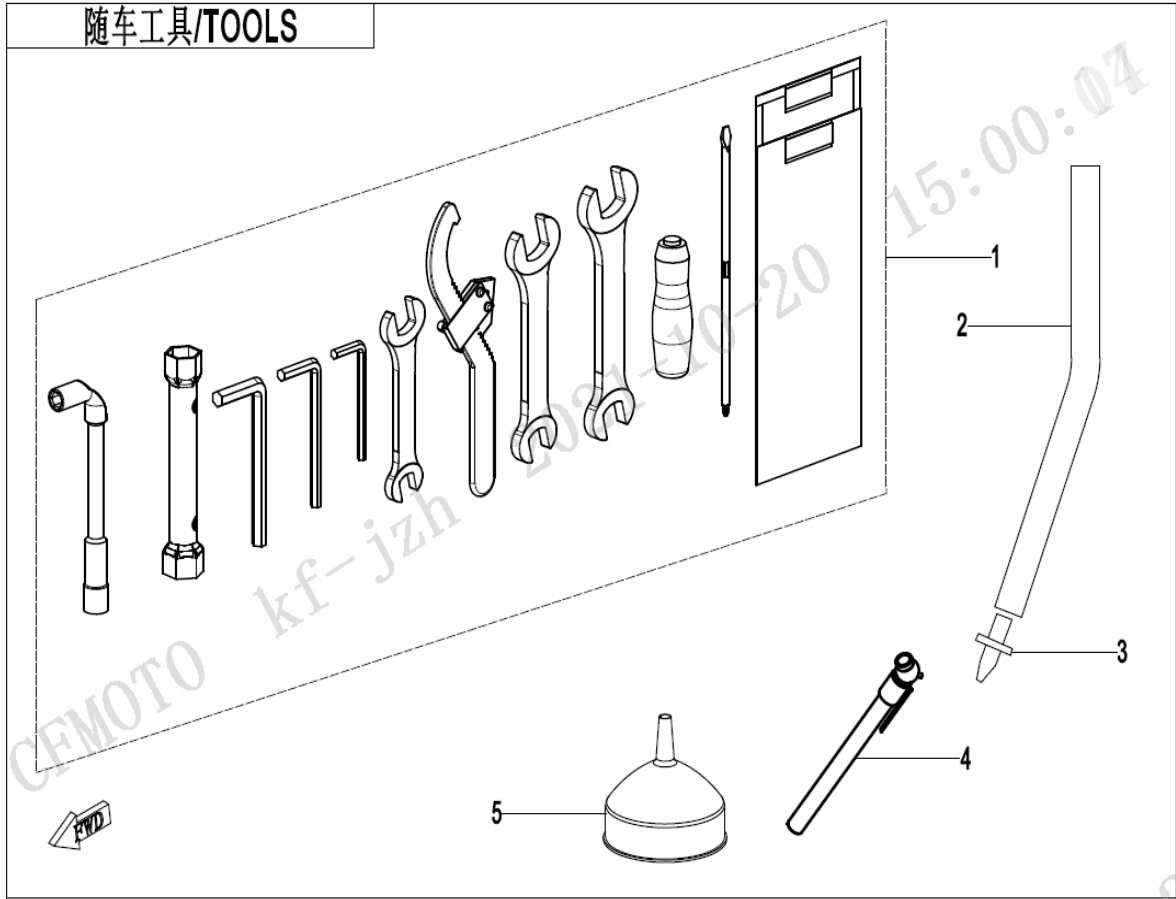
2



### F19-3 FRONT REFLECTOR

Item No.	Parts Number	Parts Name(EN)	Qty	Specification
01	5HY0-190015	LH FRONT REFLECTOR	1	
02	5HY0-190016	RH FRONT REFLECTOR	1	

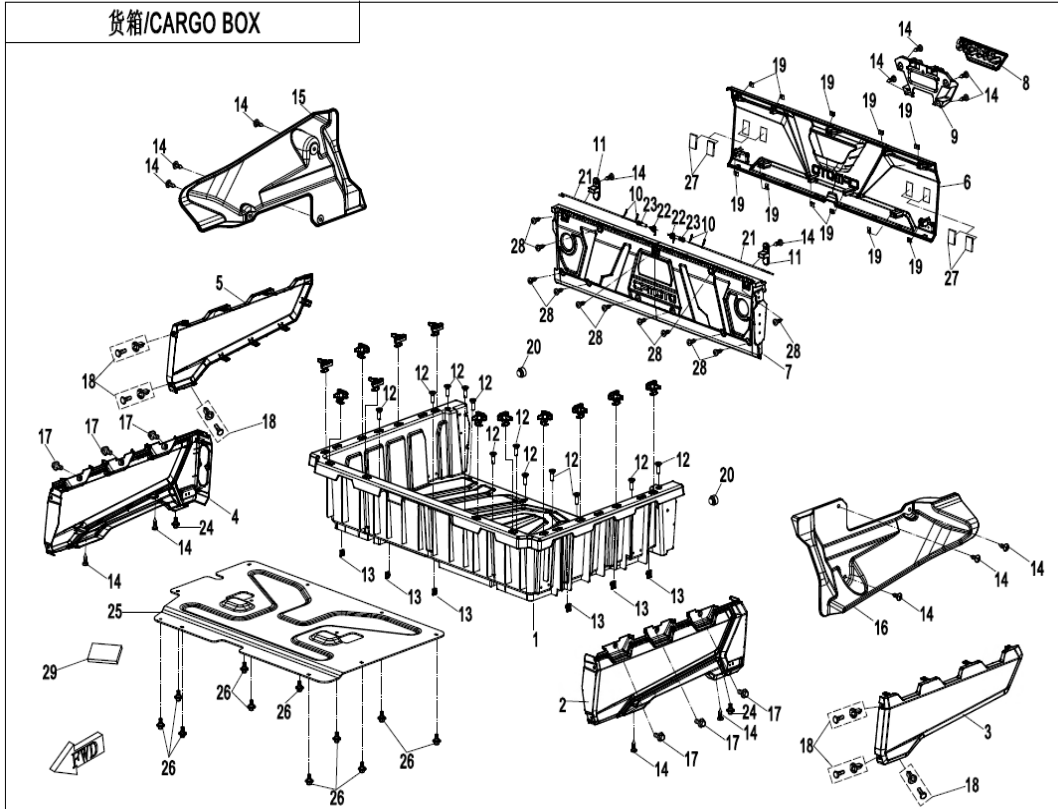
随车工具/TOOLS



F20 TOOLS

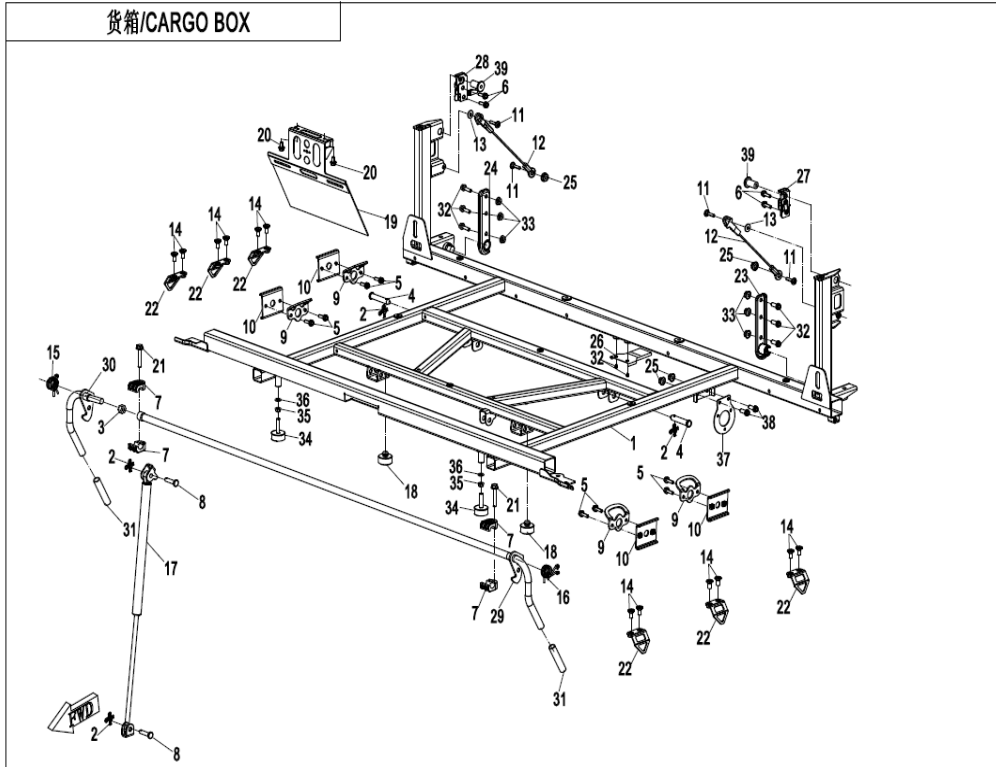
Item No.	Parts Number	Parts Name(EN)	Qty	Specification
01	9AWV-200100-2E00	TOOL KIT	1	
02	703V-200102-1400	FUNNEL EXTENSION HOSE	1	
03	703A-200103	FUNNEL EXTENSION HOSE	1	
04	TFQ002	TIRE PRESSURE PEN	1	
05	7030-200101	FILLER, ENGINE OIL	1	

货箱/CARGO BOX



F22-1 CARGO BOX

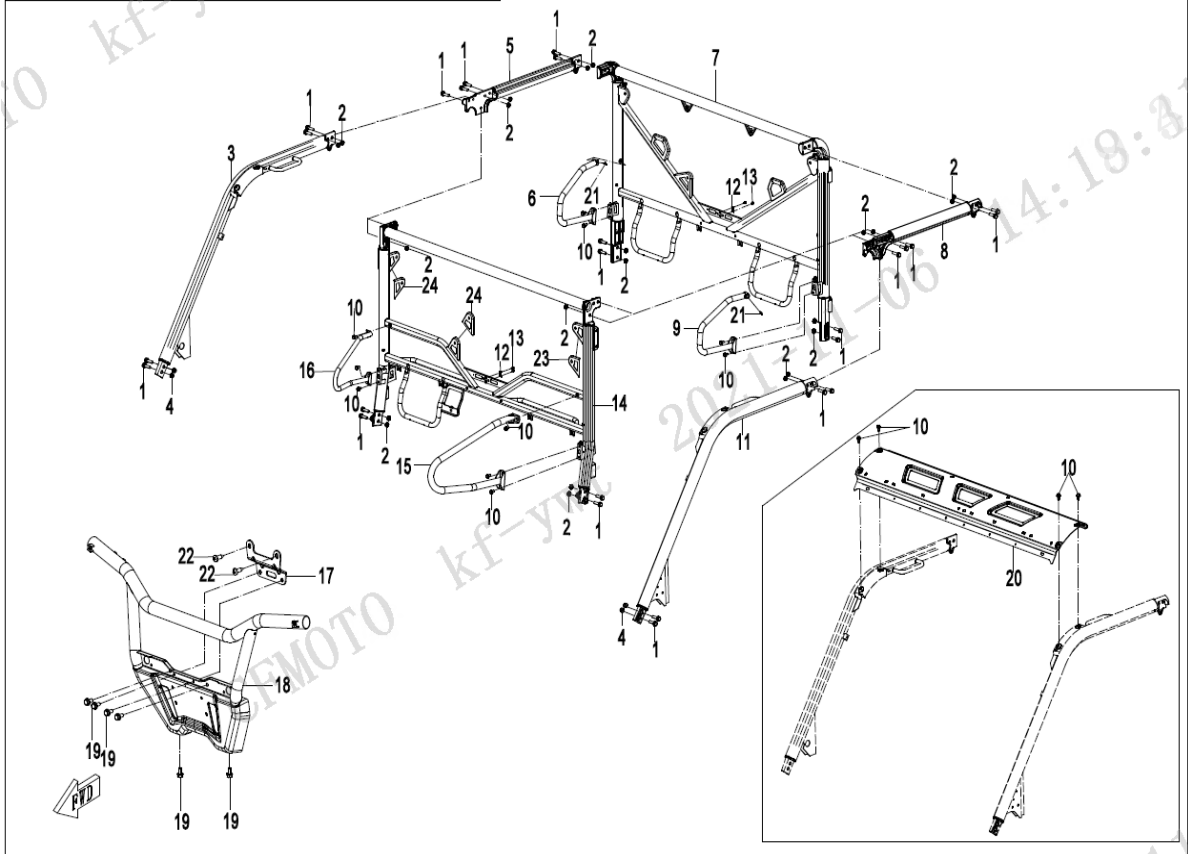
Item No.	Parts Number	Parts Name(EN)	Qty	Specification
01	5HY#-223011-1001	REAR CARGO BOX	1	
01	5HY#-803011-1001	REAR CARGO BOX	1	
02	5HY#-223021-1002	LH NERF BAR, CARGO BOX	1	
03	5HY#-223022-1001-OET00	LH DECO PLATE, CARGO BOX	1	TWILIGHT BLUE
03	5HY#-223022-1001-OHD00	LH DECO PLATE, CARGO BOX	1	GALAXY GREY
03	5HY#-223022-1001-ORE00	LH DECO PLATE, CARGO BOX	1	TRUE TIMBER CAMO
04	5HY#-223023-1002	RH NERF BAR, CARGO BOX	1	
05	5HY#-223024-1001-OET00	RH DECO PLATE, CARGO BOX	1	TWILIGHT BLUE
05	5HY#-223024-1001-OHD00	RH DECO PLATE, CARGO BOX	1	GALAXY GREY
05	5HY#-223024-1001-ORE00	RH DECO PLATE, CARGO BOX	1	TRUE TIMBER CAMO
06	5HYV-223031-1C00	REAR PANEL, CARGO BOX	1	
07	5HYV-223032-1C00	REAR PANEL, CARGO BOX	1	
07	5HYV-223032-1C01	REAR INNER PLATE, CARGO BOX	1	
08	5HY0-223033	LATCH	1	
09	5HY0-223034	FIXED PLATE	1	
10	5HY#-220008-1000	PIN SHAFT	4	
11	5HY0-223036	BLOCK	2	
12	5HY0-220113	BOLT M8x20	12	M8x20
13	8030-040800-00001	NUT CLIP M6	6	M6
14	30110-480160010	SELF-TAPPING SCREW ST4.8x16	16	ST4.8x16
15	5HY0-223013	RH FENDER, CARGO BOX	1	
16	5HY0-223012	LH FENDER, CARGO BOX	1	
17	30006-060016870	BOLT M6x16	6	M6x16
18	9060-040310	PLASTIC CLIPS	6	
19	5020-040049	CLAMP ST4.8	11	ST4.8
20	7030-222253	DAMPER, CARGO BOX	2	
21	5HY0-220002	TORSION BAR, CARGO BOX	2	
22	5HY0-220003	TROSION SPRING, LEVER	2	
23	5HY0-223035	SLEEVE, WRENCH	2	
24	8010-000004	BOLT M6x14	2	M6x14
25	5HYV-220004-1001	LOWER HEAT INSULATOR, CARGO BOX	1	
25	5HYV-220004-1C00	LOWER HEAT INSULATOR, CARGO BOX	1	
26	30006-060012810	BOLT M6x12	11	M6x12
27	9010-120008	SPONGE PAD, FUEL TANK	4	
28	30110-480160070	SELF-TAPPING SCREW	11	
29	9060-038129	SPONGE STRIP 1, HEAT INSULATOR	1	



## F22-2 CARGO BOX

Item No.	Parts Number	Parts Name(EN)	Qty	Specification
01	5HYV-221000-1002	BASE FRAME ASSY	1	ELECTROPHORESIS BLACK
01	5HYV-221000-1C00	BASE FRAME ASSY	1	ELECTROPHORESIS BLACK
02	5HY#-220008-1000	PIN SHAFT	4	
03	30211-123810	NUT M12x1.5	1	M12x1.5
04	9030-220011-00001	PIN SAHFT, ROTATION	2	COLOR ZINC
05	30006-060020810	BOLT M6x20	8	M6x20
06	30006-060020870	BOLT M6x20	4	M6x20
07	7030-221123	COLLAR, ROTATE SHAFT	4	
08	7030-222251		2	
09	9030-220004	HOOK, BAND	4	
10	7030-221140	MOUNTING BRACKET, HOOK	4	
11	7030-010508	CABLE BOLT, TAIL BOX	4	
12	7030-010500-10000	FIXING CABLE, TAIL BOX	2	
13	30305-060112	WASHER	2	6
14	5HY0-220113	BOLT M8x20	12	M8x20
15	5HY0-220007	TORSIONAL SPRING, RH	1	
16	5HY0-220006	TORSIONAL SPRING, LH	1	
17	5HY0-222080-30000	LONG AIR SPRING	1	
17	5HY0-222080-20000	AIR SPRING	1	
18	5HY0-220004	RUBBER MAT	2	
19	5HYV-220001-1C00	BRACKET, REAR LICENCE	1	
20	30006-060016870	BOLT M6x16	2	M6x16
21	30006-080045810	BOLT M8x45	2	M8x45
22	5HY0-222010	HOOK, CARGO BOX	6	
23	5HY0-222020	LH BRACKET, CARGO BOX DOOR	1	
24	5HY0-222030-10000	RH BRACKET, CARGO BOX DOOR	1	
25	30204-060810	NUT M6	4	M6
26	5HY0-220009	LIMIT PLATE, CARGO BOX DOOR	1	
27	5HY0-222060	LOCK, LH REAR DOOR	1	
28	5HY0-222070	LOCK, RH REAR DOOR	1	
29	5HY0-222110-10000	LH ROTATION SHAFT ASSY	1	
30	5HY0-222120-10000	RH ROTATION SHAFT ASSY	1	
31	7030-220104	SLEEVE, ROTATE	2	
32	30006-080020810	BOLT M8x20	8	M8x20
33	30204-080810	NUT M8	6	M8
34	7030-221710	DAMPER, CARGO BOX ADJUSTING	2	
35	30200-080810	NUT M8	2	M8
36	30303-080112	WASHER	2	8
37	9AWA-036000	BRACKET, TOWING POWER	1	
38	30006-060012810	BOLT M6x12	2	M6x12
39	5HY#-221601-1000	SCREW, PIN SHAFT	2	

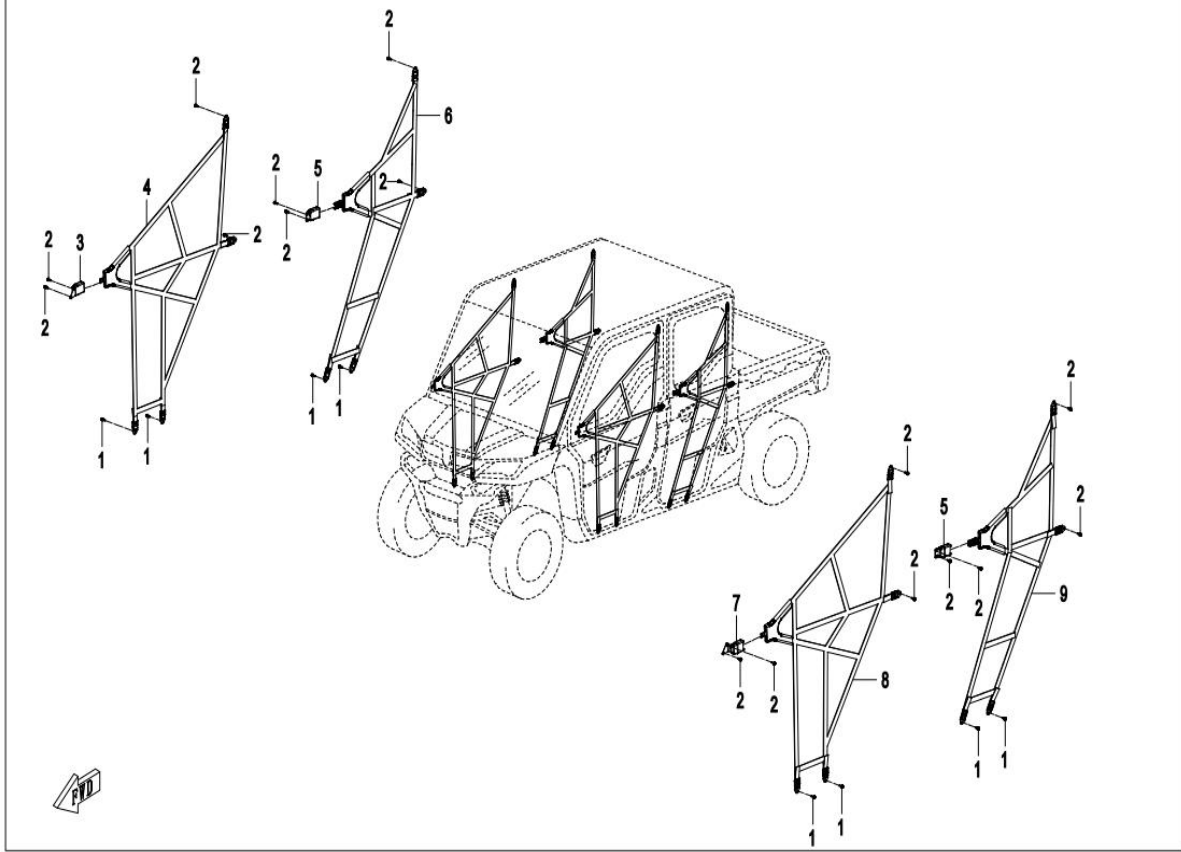
保险杠、顶梁/BUMPER&CAB FRAME



## F23 BUMPER

Item No.	Parts Number	Parts Name(EN)	Qty	Specification
1	30006-102035110	BOLT M10x1.25x35	26	M10x1.25x35
2	30225-102810	NUT M10x1.25	22	M10x1.25
3	5SYV-230400-6000-0BB00	RH BRACKET, FRONT CAB	1	MATTE BLACK
4	30204-102810	NUT M10x1.25	4	M10x1.25
5	5SYV-230800-6000-0BB00	RH CONNECTING GIRDER ASSY	1	MATTE BLACK
6	5SYV-230440-6000-0BB00	RH PROTECTING PIPE, REAR PASSENGER	1	PLASTIC POWDER
7	5SYV-230200-6000-0BB00	REAR CAB ASSY	1	MATTE BLACK
7	5SYV-230200-6001-0BB00	REAR CAB	1	PLASTIC POWDER
8	5SYV-230700-6000-0BB00	LH CONNECTING GIRDER ASSY	1	MATTE BLACK
9	5SYV-230430-6000-0BB00	LH PROTECTING PIPE, REAR PASSENGER	1	PLASTIC POWDER
10	30006-080016810	BOLT M8x16	14	M8x16
11	5SYV-230100-6000-0BB00	LH BRACKET, FRONT CAB	1	MATTE BLACK
12	5HYO-230520	FIXING SEAT, MIDDLE BACKREST	2	
13	30006-060012810	BOLT M6x12	4	M6x12
14	5SYV-230600-6000-0BB00	MIDDLE CAB ASSY	1	MATTE BLACK
15	5SYV-230410-6000-0BB00	LH PROTECTING PIPE, FRONT PASSENGER	1	PLASTIC POWDER
16	5SYV-230420-6000-0BB00	RH PROTECTING PIPE, FRONT PASSENGER	1	PLASTIC POWDER
17	5HYO-230010	REINFORCEMENT BRACKET, WINCH BRACKET	1	
18	5HYO-231100-1BB00	BUMPER ASSY	1	PLASTIC POWDER
19	30006-102020810	BOLT M10x1.25x20	6	M10x1.25x20
20	5HYO-230107-4BB00	BRACKET, TOP ROOF	1	PLASTIC POWDER
21	30102-080020810	SCREW M8x20	2	M8x20
22	30102-102020810	SCREW M10x1.25x20	2	M10x1.25x20
23	5SYV-230803-6000	RUBBER SLEEVE, LH SEAT BELT BRACKET	1	
24	5SYV-230804-6000	RUBBER SLEEVE, RH SEAT BELT BRACKET	2	

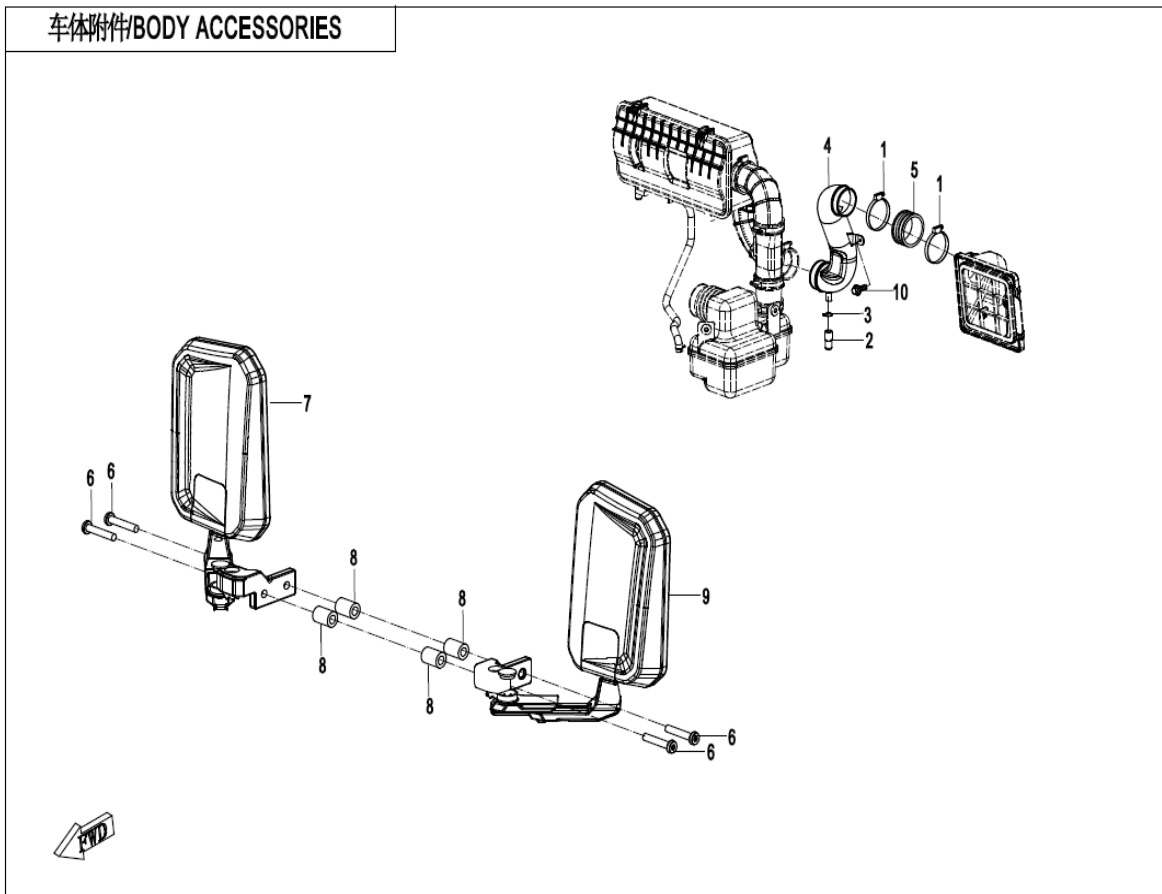
车身附件/BODY ACCESSORIES



F26-1 BODY ACCESSORIES

Item No.	Parts Number	Parts Name(EN)	Qty	Specification
01	5HY0-261001	BOLT	8	
02	30006-060012810	BOLT M6x12	16	M6x12
03	5HY0-261400	RH FASTENER ASSY	1	
04	5HYV-261200-1000	RH SIDE NET ASSY	1	
05	5SYV-261300-6000	BUCKLE ASSY	2	
06	5SYV-261200-6000	RH REAR SIDE NET ASSY	1	
07	5HY0-261300	LH FASTENER ASSY	1	
08	5HYV-261100-1000	LH SIDE NET ASSY	1	
09	5SYV-261100-6000	LH REAR SIDE NET ASSY	1	

车体附件/BODY ACCESSORIES

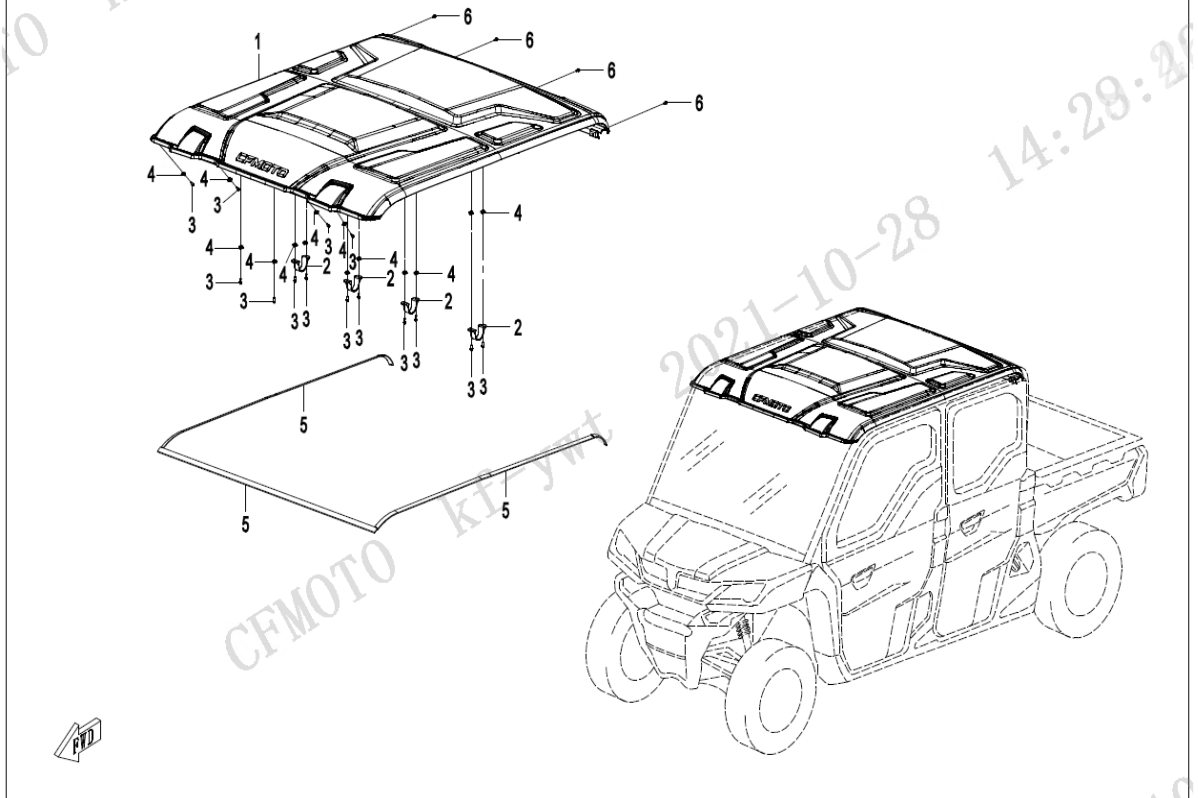


### F26-2 BODY ACCESSORIES

Item No.	Parts Number	Parts Name(EN)	Qty	Specification
01	9030-000109	SCREW CLAMP, A-TYPE	3	70~90
02	0180-110005	OIL STORAGE HOSE	1	
03	30601-117010	CLAMP A17	1	A17
04	5HY0-260301	AIR INLET PIPE, AIR FILTER	1	
05	5HY0-260302	CONNECTOR, AIR INLET PIPE	1	
06	30102-080045810	INNER HEX SCREW M8x45	4	M8x45
07	5HY0-260120-10000	RH REAR VIEW MIRROR	1	
08	5HY0-801321	SPACER BUSHING	4	
09	5HY0-260110-10000	LH REAR VIEW MIRROR	1	
10	30006-060016810	BOLT M6x16	1	M6x16



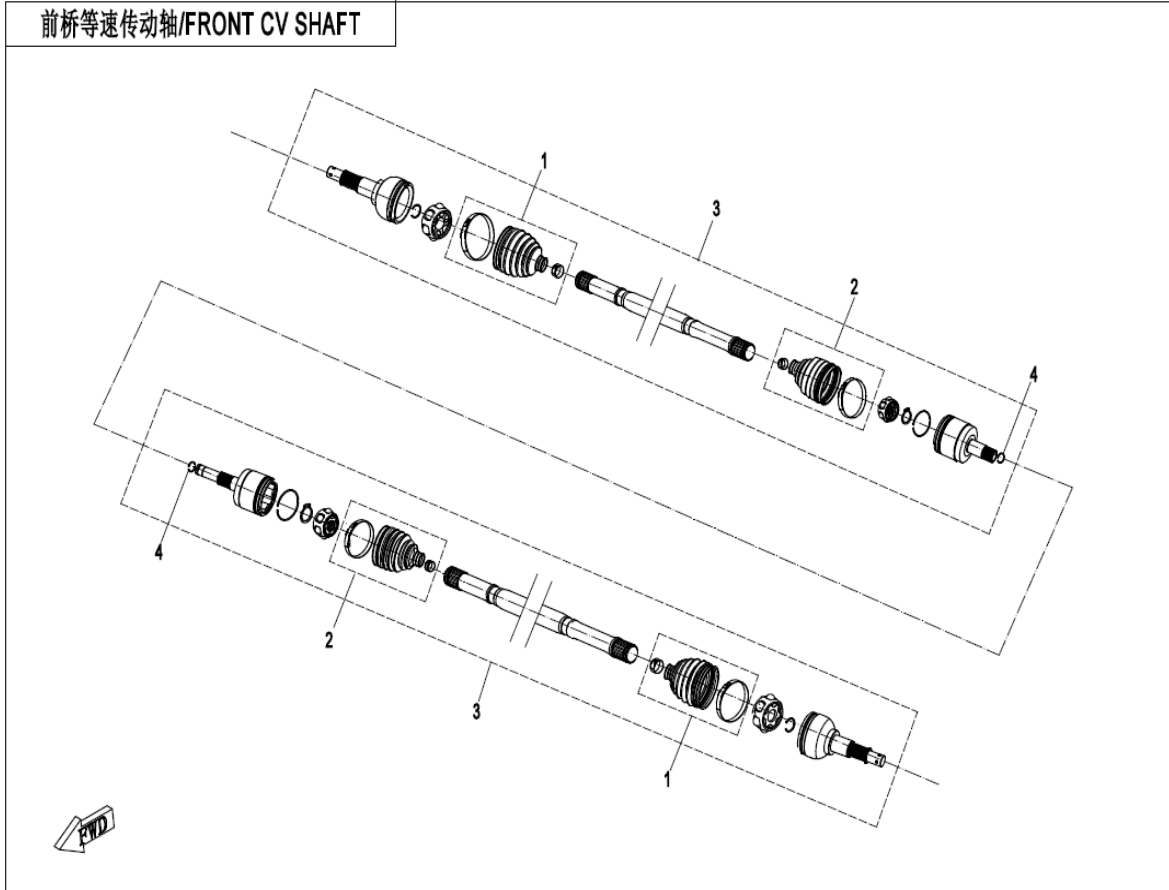
车身附件/BODY ACCESSORIES



### F26-3 BODY ACCESSORIES

Item No.	Parts Number	Parts Name(EN)	Qty	Specification
01	5SYV-260215-6000	TOP ROOF	1	
02	5SYV-260213-6000	CLAMP, TOP ROOF	4	
03	30006-060016810	BOLT M6x16	14	M6x16
04	8030-040800-00001	NUT CLIP M6	14	M6
05	5SYV-260216-6000	SEAL GLUE STRAP, TOP ROOF	3	
06	8010-000004	BOLT M6x14	4	M6x14

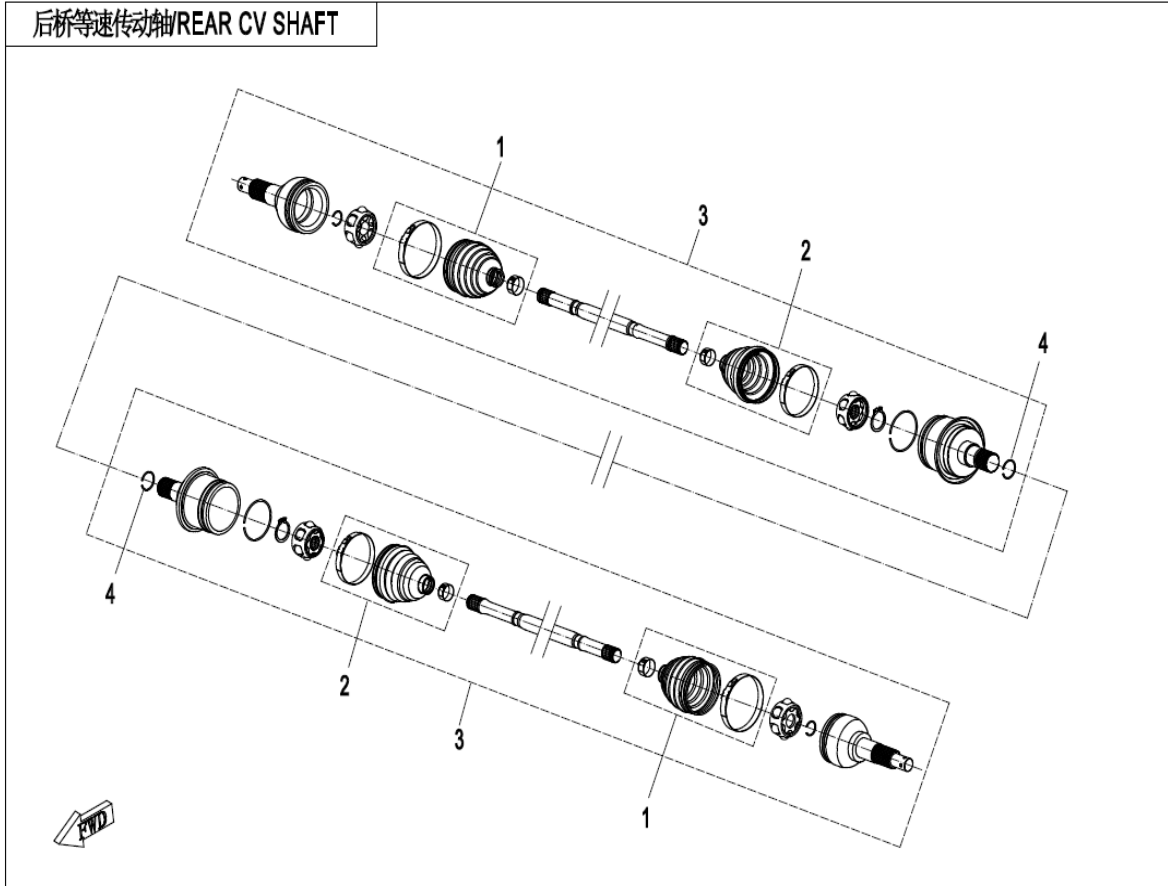
前桥等速传动轴/Front CV Shaft



### F27 FRONT CV SHAFT

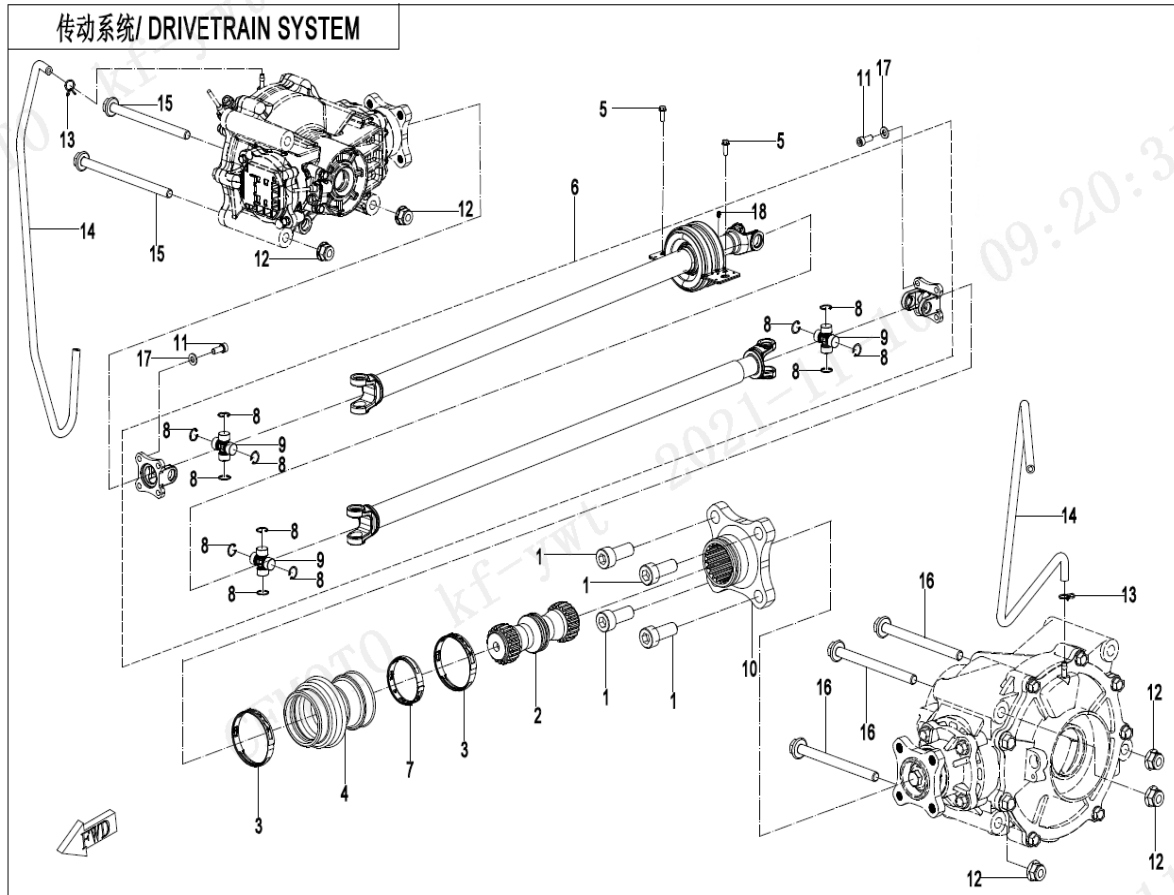
Item No.	Parts Number	Parts Name(EN)	Qty	Specification
01	5HY0-2803A0	DUST BOOT, REAR FIXED END	2	
02	9GQ0-280150	DUST BOOT KIT, FIXED END	2	
03	5BYA-270200	FRONT CV DRIVE SHAFT, RH	2	
04	9010-270203	WIRE CIRCLIP	2	

后桥等速传动轴 REAR CV SHAFT



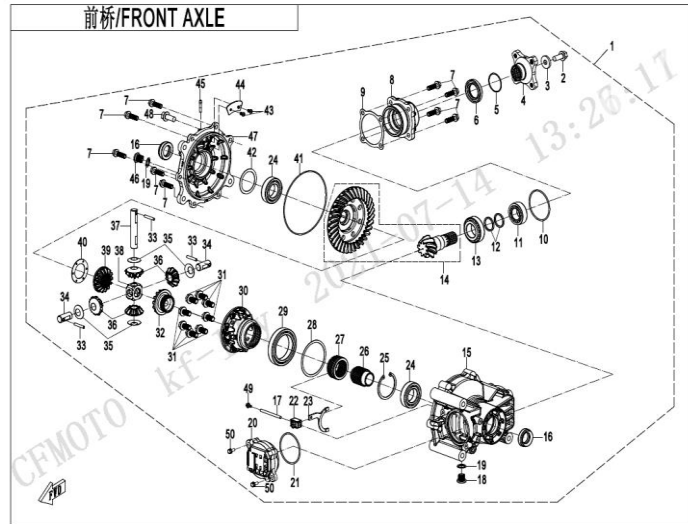
### F28 REAR CV SHAFT

Item No.	Parts Number	Parts Name(EN)	Qty	Specification
01	5HY0-2803A0	DUST BOOT, REAR FIXED END	2	
02	5HY0-2803B0	DUST BOOT KIT, REAR MOTION JOINT	2	
03	5HY0-280300-20000	REAR CV DRIVE SHAFT	2	
04	5BWB-280302	CIRCLIP	2	



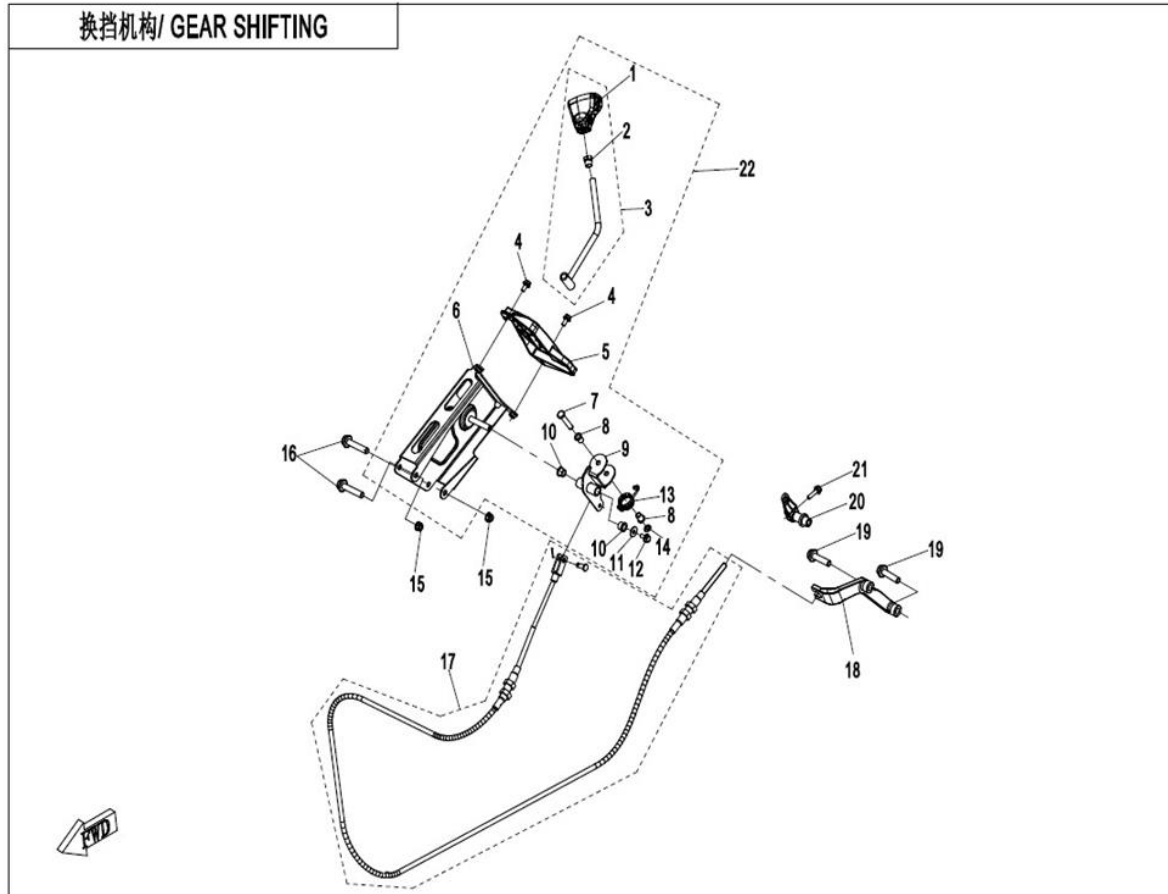
## F30 DRIVE TRAIN SYSTEM

Item No.	Parts Number	Parts Name(EN)	Qty	Specification
01	30102-102025810	SCREW M10x1.25x25	4	M10x1.25x25
02	5HY0-300101	CORE SHAFT, REAR DRIVE SHAFT	1	
03	9GQ0-290104	BIG CLAMP	2	
04	5HY0-300102	SEAL BOOT, REAR DRIVE SHAFT	1	
05	30006-102025810	BOLT M10x1.25x25	2	M10x1.25x25
06	5SYV-290300-6000	FRONT DRIVE SHAFT	1	
07	9CR6-300204	SMALL CLAMP	1	
08	30800-02205	CIRCLIP FOR HOLE	12	22
09	9GQ0-290210	CROSS SHAFT, UNIVERSAL JOINT	3	
10	9CR6-300206-10000	DRIVE SLEEVE, REAR GEAR CASE	1	
11	30102-102020810	SCREW M10x1.25x20	8	M10x1.25x20
12	30204-102810	NUT M10x1.25	5	M10x1.25
13	30601-108010	CLAMP A8	2	A8
14	9010-310001	BREATHER HOSE, FRONT GEAR CASE	2	
15	30006-102130810	BOLT M10x1.25x130	2	M10x1.25x130
16	30006-102120810	BOLT M10x1.25x120	3	M10x1.25x120
17	9010-300002	WASHER Dia 10	8	Dia 10
18	3120100	GREASE ZERK	1	



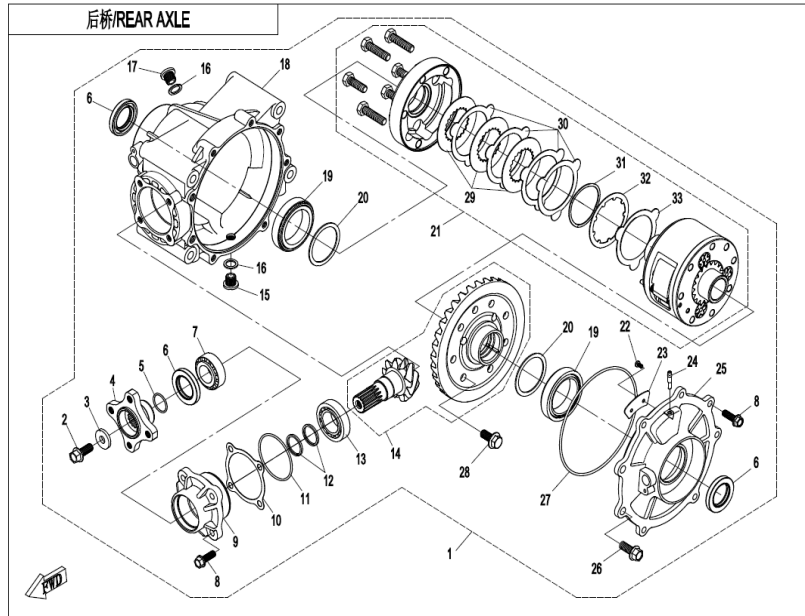
F31 FRONT AXLE

Item No.	Parts Number	Parts Name(EN)	Qty	Specification
01	Q890-310000-10000	FRONT GEAR CASE ASSY	1	
02	QGR0-062203	BOLT M10x1.25x20	1	M10x1.25x20
03	QGR0-062204	WASHER 10x27.5x4	1	10x27.5x4
04	Q850-331002	COUPLER	1	
05	0800-062205	O-SEAL RING 25x2	1	25x2
06	0800-062204	OIL SEAL 35x50x7	1	35x50x7
07	0110-060011-0010	BOLT M8x28	9	M8x28
08	Q830-311002-00001	BEARING SEAT	1	
09	Q830-310023-00100	ADJUSTING WASHER T=0.20	1	T=0.20
09	Q830-310023-00200	ADJUSTING WASHER T=0.30	1	T=0.30
10	Q830-310006-10000	O-RING 55x2.5	1	55x2.5
11	30409-02500	BEARING	1	33005(25x47x17)
12	Q830-311003-00100	ADJUSTING WASHER 32x25.4 T=2.10	2	T=2.10
12	Q830-311003-00200	ADJUSTING WASHER 32x25.4 T=2.20	2	T=2.20
12	Q830-311003-00300	ADJUSTING WASHER 32x25.4 T=2.30	2	T=2.30
12	Q830-311003-00400	ADJUSTING WASHER 32x25.4 T=2.40	2	T=2.40
12	Q830-311003-00500	ADJUSTING WASHER 32x25.4 T=2.42	2	T=2.42
12	Q830-311003-00600	ADJUSTING WASHER 32x25.4 T=2.44	2	T=2.44
12	Q830-311003-00700	ADJUSTING WASHER 32x25.4 T=2.46	2	T=2.46
12	Q830-311003-00800	ADJUSTING WASHER 32x25.4 T=2.48	2	T=2.48
12	Q830-311003-00900	ADJUSTING WASHER 32x25.4 T=2.50	2	T=2.50
12	Q830-311003-01000	ADJUSTING WASHER 32x25.4 T=2.60	2	T=2.60
12	Q830-311003-01100	ADJUSTING WASHER 32x25.4 T=2.70	2	T=2.70
12	Q830-311003-01200	ADJUSTING WASHER 32x25.4 T=2.80	2	T=2.80
12	Q830-311003-01300	ADJUSTING WASHER 32x25.4 T=2.90	2	T=2.90
12	Q830-311003-01400	ADJUSTING WASHER 32x25.4 T=3.00	2	T=3.00
13	30409-03000	BEARING	1	32006(30x55x17)
14	Q890-3100A0	BEVEL GEAR ASSY, FRONT GEAR CASE	1	
15	Q890-310001	FRONT GEAR CASE	1	
16	0180-311001	OIL SEAL 24x38x8	2	24x38x8
17	Q830-310003	PIN SHAFT	1	
18	0180-332100	OIL DRAIN BOLT M14x1.25x12, MAGNETIC	1	M14x1.25x12
19	0180-011006	GASKET 14	2	14
20	Q890-314000-10000	MOTOR ASSY, FRONT GEAR CASE	1	Kaidi PLUG
21	Q830-310012-10000	O-RING 67.5x2	1	
22	Q890-310010	BLOCK ASSY.	1	
23	Q890-310003	SHIFT FORK	1	
24	30400-03001	BEARING 30x55x13	2	6006
25	30800-05505		1	55
26	Q830-310014	DRIVE CLUTCH COVER	1	
27	Q830-310013	SPLINE BUSHING	1	
28	Q830-310015-00100	ADJUSTING WASHER 79.5x68 T=0.10	1	T=0.10
28	Q830-310015-00200	ADJUSTING WASHER 79.5x68 T=0.20	1	T=0.20
28	Q830-310015-00300	ADJUSTING WASHER 79.5x68 T=0.30	1	T=0.30
28	Q830-310015-00400	ADJUSTING WASHER 79.5x68 T=0.40	1	T=0.40
28	Q830-310015-00500	ADJUSTING WASHER 79.5x68 T=0.50	1	T=0.50
28	Q830-310015-00600	ADJUSTING WASHER 79.5x68 T=1.00	1	T=1.00
29	30400-05500	BEARING	1	61911(55x80x13)
30	Q890-313002	DIFFERENTIAL HOUSING	1	
31	0181-313100	BOLT M10x1.25x22	8	
32	Q830-313004	GEAR, CV SHAFT	1	
33	30906-0503000	PIN	3	5x30
34	Q820-333005	PLANET GEAR SHAFT, SHORT	2	
35	0181-313011	WEARING RING	4	
36	0180-313003	CENTER GEAR, DIFFERENTIAL	4	
37	Q820-333006	PLANET GEAR AXLE	1	
38	Q820-333008	CROSS BUSHING	1	
39	0180-313006-00001	DRIVEN GEAR, DIFFERENTIAL	1	
40	Q800-313005-00100	GEAR WASHER	1	t=1.00
40	Q800-313005-00200	GEAR WASHER	1	t=1.20
41	Q830-310011	O-SEAL RING 130x2	1	
42	Q830-310009-00100	ADJUSTING WASHER 54.5x43 T=0.10	1	T=0.10
42	Q830-310009-00200	ADJUSTING WASHER 54.5x43 T=0.20	1	T=0.20
42	Q830-310009-00300	ADJUSTING WASHER 54.5x43 T=0.30	1	T=0.30
42	Q830-310009-00400	ADJUSTING WASHER 54.5x43 T=0.40	1	T=0.40
42	Q830-310009-00500	ADJUSTING WASHER 54.5x43 T=0.50	1	T=0.50
42	Q830-310009-00600	ADJUSTING WASHER 54.5x43 T=1.00	1	T=1.00
43	30105-040008410	SCREW M4x8	2	M4x8
44	Q820-330007-10000	OIL BAFFLE	1	
45	0180-311004-0020	JOINT, BREATHER HOSE	1	
46	0180-021008-0010	BOLT M14x1.25x12	1	M14x1.25x12
47	Q890-310002	FRONT GEAR CASE COVER	1	
48	0180-330004-0010	BOLT M10x1.25x25	1	M10x1.25x25
49	30130-080010820	INNER HEX SCREW M8x10	1	M8x10
50	0010-023008-0010	BOLT M6x18	2	M6x18
50	0010-023008-00001	BOLT	2	



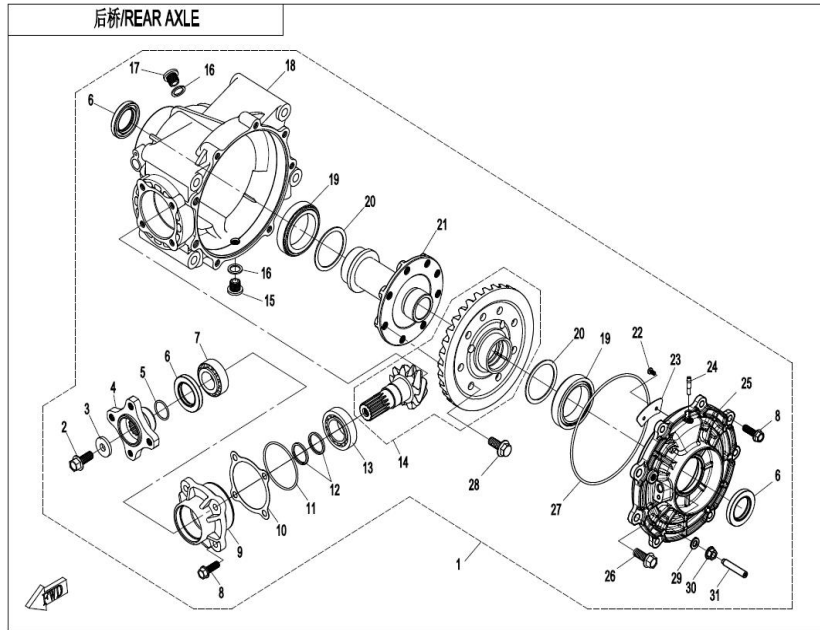
## F32 GEAR SHIFTING

Item No.	Parts Number	Parts Name(EN)	Qty	Specification
01	9AWV-321320-2E00	GEARSHIFT BALL HEAD	1	
02	9CR6-321301	LOCK NUT, GEARSHIFT	1	M8
03	5HYV-321010-1C00	GEARSHIFT LEVER ASSY	1	
04	30006-060016810	BOLT M6x16	2	M6x16
05	5HYV-321000-1C00-20	GEARSHIFT LIMIT GUARD	1	
06	5HY0-321030	BRACKET, GEARSHIFT LIMITATOR	1	
06	5HYV-321030-1C00	BRACKET, GEARSHIFT LIMITATOR	1	
07	9CR6-321001	PIN SHAFT, GEARSHIFT LEVER	1	
08	9010-320009	NYLON BUSHING	2	
09	5HY0-321020	SWING ARM, GEARSHIFT	1	
10	9CR6-321003	BUSHING, ARM	2	
11	30309-060900	WASHER	1	
12	30006-060012810	BOLT M6x12	1	M6x12
13	5HY0-321001	SPRING, GEARSHIFT	1	
14	30802-00605		1	6
15	30204-080810	NUT M8	2	M8
16	30006-080055810	BOLT M8x55	2	M8x55
17	5SYV-320100-6000	GEARSHIFT CABLE	1	
18	5HY0-320001	LOWER BRACKET, CABLE	1	
19	30006-102040810	BOLT M10x1.25x40	2	M10x1.25x40
20	9010-320200-1000	ROCKER, GEARSHIFT	1	
21	0010-022020-00001	BOLT M6x22	1	M6x22
21	0010-022020-00002	BOLT M6x22	1	M6x22
22	5HYV-321000-1C00	GEARSHIFT ASSY	1	
22	5HYV-321000-1C01	GEARSHIFT ASSY	1	



### F33-A REAR AXLE (AUTOMATIC LOCK DIFFERENTIAL)

Item No.	Parts Number	Parts Name(EN)	Qty	Specification
01	Q860-330000-00002	REAR GEAR CASE ASSY	1	
01	Q860-330000-00003	REAR GEAR CASE ASSY	1	
02	Q860-062203	BOLT M10x1.25x20	1	M10x1.25x20
02	Q860-331002	BOLT	1	M12x1.25x25
03	Q860-062204	WASHER 10x27.5x4	1	10x27.5x4
03	0180-331008-00001	WASHER	1	13x27.5x4
04	Q850-331002	COUPLER	1	
05	0800-062205	O-SEAL RING 25x2	1	25x2
06	0800-062204	OIL SEAL 35x50x7	3	35x50x7
07	30409-02500	BEARING	1	33005(25x47x17)
08	0110-060011-0010	BOLT M8x28	10	M8x28
09	Q830-311002-00001	BEARING SEAT	1	
10	Q830-310023-00200	ADJUSTING WASHER T=0.30	1	T=0.30
10	Q830-310023-00100	ADJUSTING WASHER T=0.20	1	T=0.20
11	Q830-310006-10000	O-RING 55x2.5	1	55x2.5
12	Q830-311003-01400	ADJUSTING WASHER 32x25.4 T=3.00	2	T=3.00
12	Q830-311003-01300	ADJUSTING WASHER 32x25.4 T=2.90	2	T=2.90
12	Q830-311003-01200	ADJUSTING WASHER 32x25.4 T=2.80	2	T=2.80
12	Q830-311003-01100	ADJUSTING WASHER 32x25.4 T=2.70	2	T=2.70
12	Q830-311003-01000	ADJUSTING WASHER 32x25.4 T=2.60	2	T=2.60
12	Q830-311003-00900	ADJUSTING WASHER 32x25.4 T=2.50	2	T=2.50
12	Q830-311003-00800	ADJUSTING WASHER 32x25.4 T=2.48	2	T=2.48
12	Q830-311003-00700	ADJUSTING WASHER 32x25.4 T=2.46	2	T=2.46
12	Q830-311003-00600	ADJUSTING WASHER 32x25.4 T=2.44	2	T=2.44
12	Q830-311003-00500	ADJUSTING WASHER 32x25.4 T=2.42	2	T=2.42
12	Q830-311003-00400	ADJUSTING WASHER 32x25.4 T=2.40	2	T=2.40
12	Q830-311003-00300	ADJUSTING WASHER 32x25.4 T=2.30	2	T=2.30
12	Q830-311003-00200	ADJUSTING WASHER 32x25.4 T=2.20	2	T=2.20
12	Q830-311003-00100	ADJUSTING WASHER 32x25.4 T=2.10	2	T=2.10
13	30409-03000	BEARING	1	32006(30x55x17)
14	Q860-3300A0-00002	BEVEL GEAR ASSY, REAR GEAR CASE	1	
14	Q860-3300A0-00003	BEVEL GEAR ASSY, REAR GEAR CASE	1	
15	0180-332100	OIL DRAIN BOLT M14x1.25x12, MAGNETIC	1	M14x1.25x12
16	0180-011006	GASKET 14	2	14
17	0180-021008-00001	BOLT	1	
18	Q860-330001-00002	REAR GEAR CASE	1	
19	30409-05000	BEARING	2	
20	Q820-330003-00900	ADJUSTING WASHER 61x50.5 T=1.00	4	T=1.00
20	Q820-330003-00800	ADJUSTING WASHER 61x50.5 T=0.98	4	T=0.98
20	Q820-330003-00700	ADJUSTING WASHER 61x50.5 T=0.96	4	T=0.96
20	Q820-330003-00600	ADJUSTING WASHER 61x50.5 T=0.94	4	T=0.94
20	Q820-330003-00500	ADJUSTING WASHER 61x50.5 T=0.92	4	T=0.92
20	Q820-330003-00400	ADJUSTING WASHER 61x50.5 T=0.90	4	T=0.90
20	Q820-330003-00300	ADJUSTING WASHER 61x50.5 T=0.50	4	T=0.50
20	Q820-330003-00200	ADJUSTING WASHER 61x50.5 T=0.30	4	T=0.30
20	Q820-330003-00100	ADJUSTING WASHER 61x50.5 T=0.10	4	T=0.10
21	Q860-333100	AUTOMATIC LOCK DIFFERENTIAL ASSY	1	
22	30105-040008410	SCREW M4x8	2	M4x8
23	Q830-310022	OIL GUARD	1	
24	0180-311004-0020	JOINT, BREATHER HOSE	1	
25	Q860-330002-00002	REAR GEAR CASE COVER	1	
26	0180-330004-0010	BOLT M10x1.25x25	2	M10x1.25x25
27	0180-334002	O-SEAL RING 151x3	1	151x3
28	0181-313100-0010	BOLT M10x1.25x22	8	M10x1.25x22
29	Q850-333107	FRICITION DISC, INNER GEAR	3	
30	Q850-333104	FRICITION DISC, OUTER GEAR	4	
31	Q850-333111	GASKET	1	
32	Q850-333108	FRICITION DISC, INNER	1	
33	Q850-333106	POLISHED SECTION, FRICITION DISC	1	

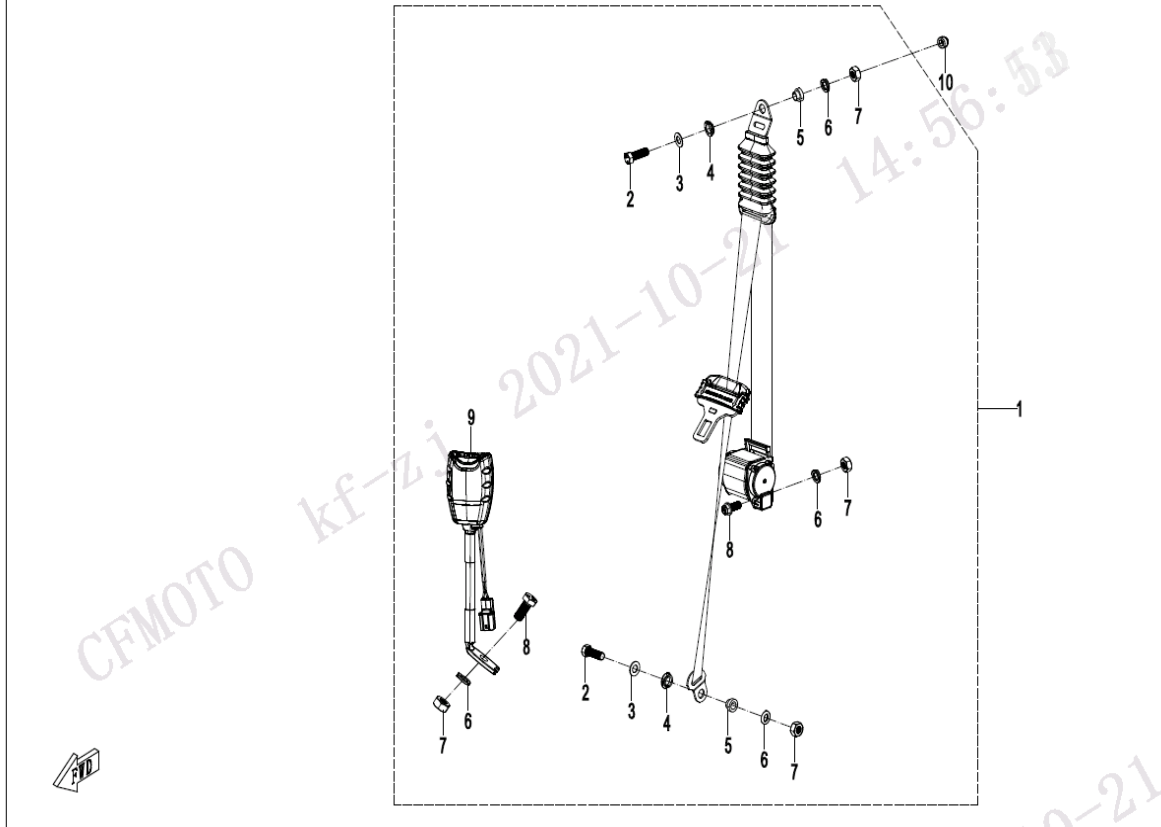


### F33-B REAR AXLE (NO DIFFERENTIAL)

Item No.	Parts Number	Parts Name(EN)	Qty	Specification
01	Q860-330000-40002	REAR GEAR CASE ASSY	1	
01	Q860-330000-40003	REAR GEAR CASE ASSY	1	
02	0GR0-062203	BOLT M10x1.25x20	1	M10x1.25x20
02	Q860-331002	BOLT	1	M12x1.25x25
03	0GR0-062204	WASHER 10x27.5x4	1	10x27.5x4
03	0180-331008-00001	WHASHER	1	13x27.5x4
04	Q850-331002	COUPLER	1	
05	0800-062205	O-SEAL RING 25x2	1	25x2
06	0800-062204	OIL SEAL 35x50x7	3	35x50x7
07	30409-02500	BEARING	1	33005(25x47x17)
08	0110-060011-0010	BOLT M8x28	10	M8x28
09	Q830-311002-00001	BEARING SEAT	1	
10	Q830-310023-00200	ADJUSTING WASHER T=0.30	1	T=0.30
10	Q830-310023-00100	ADJUSTING WASHER T=0.20	1	T=0.20
11	Q830-310006-10000	O-RING 55x2.5	1	55x2.5
12	Q830-311003-01400	ADJUSTING WASHER 32x25.4 T=3.00	2	T=3.00
12	Q830-311003-01300	ADJUSTING WASHER 32x25.4 T=2.90	2	T=2.90
12	Q830-311003-01200	ADJUSTING WASHER 32x25.4 T=2.80	2	T=2.80
12	Q830-311003-01100	ADJUSTING WASHER 32x25.4 T=2.70	2	T=2.70
12	Q830-311003-01000	ADJUSTING WASHER 32x25.4 T=2.60	2	T=2.60
12	Q830-311003-00900	ADJUSTING WASHER 32x25.4 T=2.50	2	T=2.50
12	Q830-311003-00800	ADJUSTING WASHER 32x25.4 T=2.48	2	T=2.48
12	Q830-311003-00700	ADJUSTING WASHER 32x25.4 T=2.46	2	T=2.46
12	Q830-311003-00600	ADJUSTING WASHER 32x25.4 T=2.44	2	T=2.44
12	Q830-311003-00500	ADJUSTING WASHER 32x25.4 T=2.42	2	T=2.42
12	Q830-311003-00400	ADJUSTING WASHER 32x25.4 T=2.40	2	T=2.40
12	Q830-311003-00300	ADJUSTING WASHER 32x25.4 T=2.30	2	T=2.30
12	Q830-311003-00200	ADJUSTING WASHER 32x25.4 T=2.20	2	T=2.20
12	Q830-311003-00100	ADJUSTING WASHER 32x25.4 T=2.10	2	T=2.10
13	30409-03000	BEARING	1	32006(30x55x17)
14	Q860-3300A0-00002	BEVEL GEAR ASSY, REAR GEAR CASE	1	
14	Q860-3300A0-00003	BEVEL GEAR ASSY, REAR GEAR CASE	1	
15	0180-332100	OIL DRAIN BOLT M14x1.25x12, MAGNETIC	1	M14x1.25x12
16	0180-011006	GASKET 14	2	14
17	0180-021008-00001	BOLT	1	
18	Q860-330001-00002	REAR GEAR CASE	1	
19	30409-05000	BEARING	2	
20	Q820-330003-00400	ADJUSTING WASHER 61x50.5 T=0.90	4	T=0.90
20	Q820-330003-00300	ADJUSTING WASHER 61x50.5 T=0.50	4	T=0.50
20	Q820-330003-00200	ADJUSTING WASHER 61x50.5 T=0.30	4	T=0.30
20	Q820-330003-00100	ADJUSTING WASHER 61x50.5 T=0.10	4	T=0.10
20	Q820-330003-00900	ADJUSTING WASHER 61x50.5 T=1.00	4	T=1.00
20	Q820-330003-00800	ADJUSTING WASHER 61x50.5 T=0.98	4	T=0.98
20	Q820-330003-00700	ADJUSTING WASHER 61x50.5 T=0.96	4	T=0.96
20	Q820-330003-00600	ADJUSTING WASHER 61x50.5 T=0.94	4	T=0.94
20	Q820-330003-00500	ADJUSTING WASHER 61x50.5 T=0.92	4	T=0.92
21	Q850-330003-00001	MOUNTING BASE	1	
22	30105-040008410	SCREW M4x8	2	M4x8
23	Q830-310022	OIL GUARD	1	
24	0180-311004-0020	JOINT, BREATHER HOSE	1	
25	Q860-330002-00003	REAR GEAR CASE COVER	1	
26	0180-330004-0010	BOLT M10x1.25x25	2	M10x1.25x25
27	0180-334002	O-SEAL RING 151x3	1	151x3
28	0181-313100-0010	BOLT M10x1.25x22	8	M10x1.25x22
29	0180-334004	GASKET 8.2x15x1.5	1	8.2x15x1.5
30	0180-334006-0010	NUT M8	1	M8
31	0180-334005-0010	INNER HEX SCREW M8x45	1	M8x45

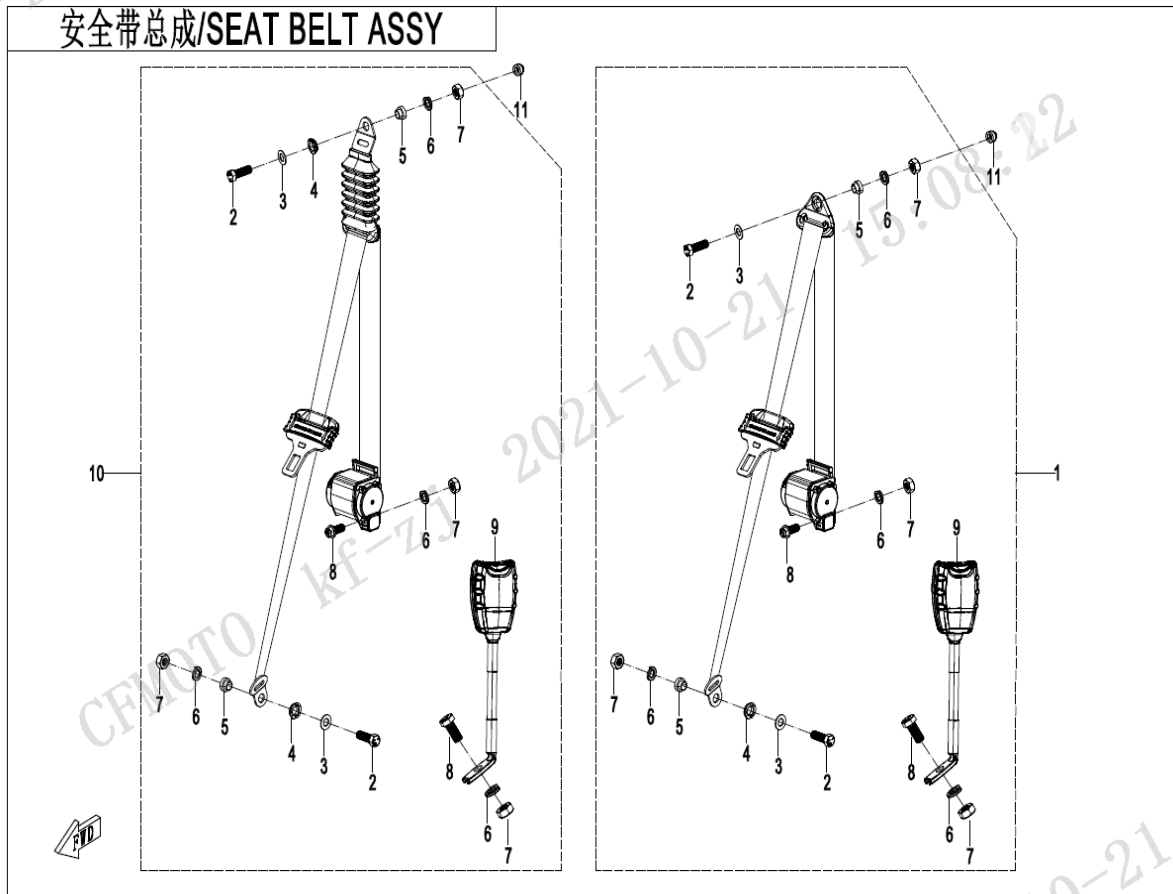


安全带总成/SEAT BELT ASSY



F34-1 SEAT BELT ASSY (FRONT SEAT)

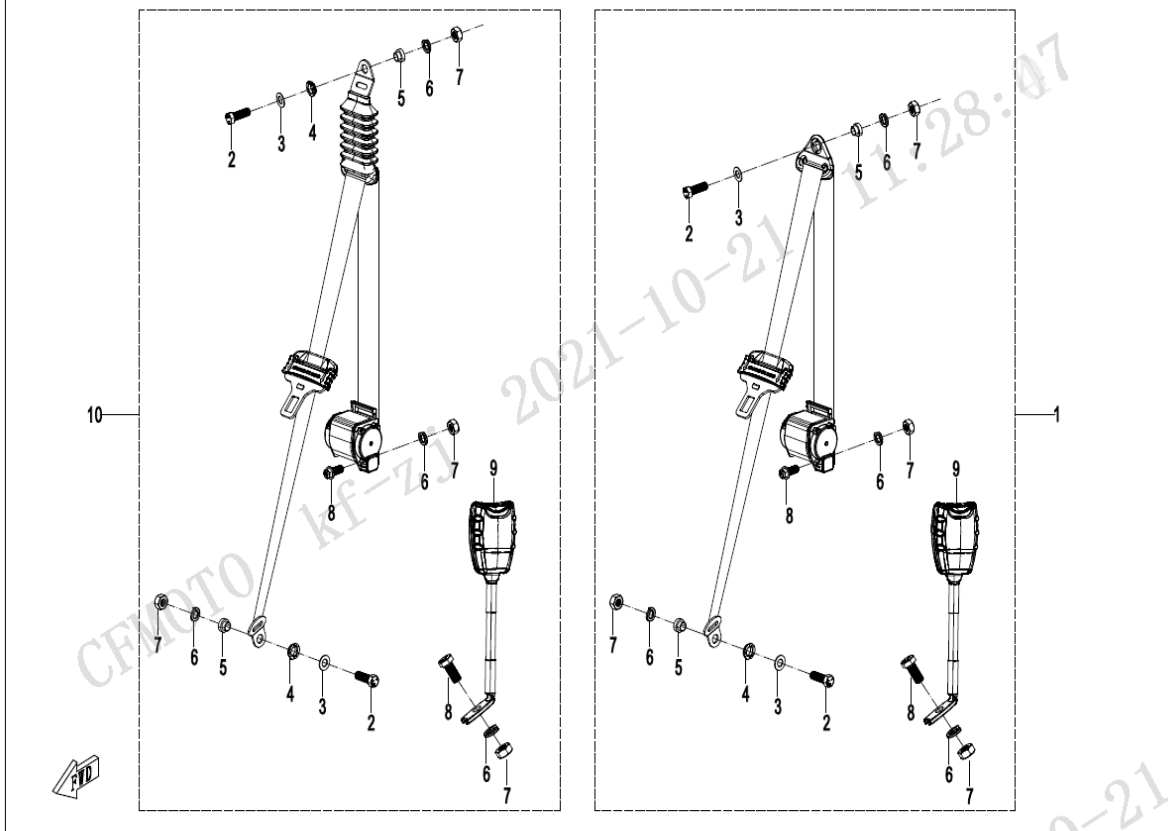
Item No.	Parts Number	Parts Name(EN)	Qty	Specification
01	5SYV-341100-6000	SEAT BELT, DRIVER	1	
02	5ASV-341100-6200-22	BOLT	2	
03	5ASV-341100-6200-23	WASHER	2	
04	5ASV-341100-6200-28	WASHER	2	"
05	5ASV-341100-6200-27	WASHER	2	"
06	5ASV-341100-6200-26	LOCK WASHER	4	
07	5ASV-341100-6200-25	NUT	4	
08	5ASV-341100-6200-34	BOLT	2	
09	5HYV-341100-1C00-35	LH BUCKLE ASSY	1	
10	9060-340001	GUIDE RING PLUG, SEAT BELT	1	



### F34-2 SEAT BELT ASSY(FRONT SEAT)

Item No.	Parts Number	Parts Name(EN)	Qty	Specification
01	5SYV-341300-6000	SEAT BELT, PASSENGER	1	
02	5ASV-341100-6200-22	BOLT	4	
03	5ASV-341100-6200-23	WASHER	4	
04	5ASV-341100-6200-28	WASHER	3	"
05	5ASV-341100-6200-27	WASHER	4	"
06	5ASV-341100-6200-26	LOCK WASHER	8	
07	5ASV-341100-6200-25	NUT	8	
08	5ASV-341100-6200-34	BOLT	4	
09	5HYV-341200-1C00-35	RH BUCKLE ASSY	2	
10	5SYV-341200-6000	SEAT BELT, PASSENGER	1	
11	9060-340001	GUIDE RING PLUG, SEAT BELT	2	

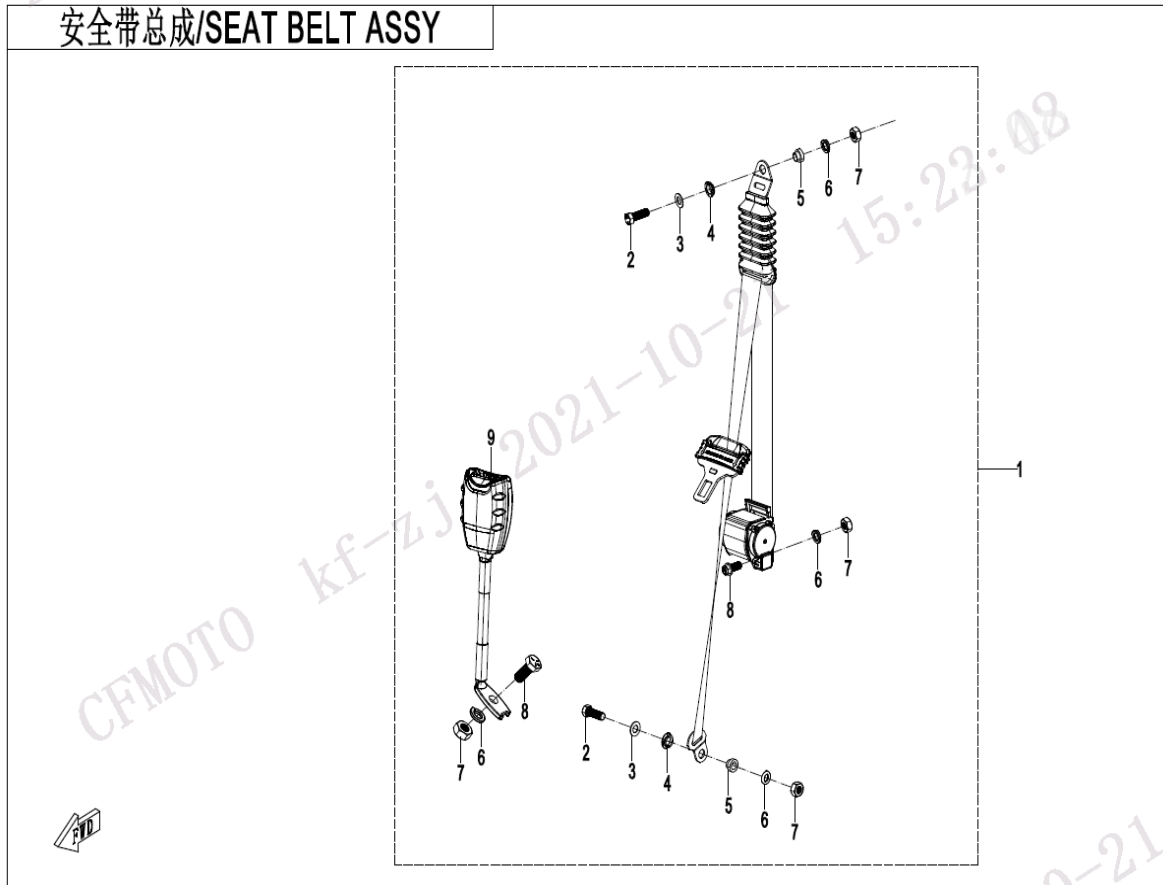
## 安全带总成/SEAT BELT ASSY



### F34-3 SEAT BELT ASSY (BACK SEAT)

Item No.	Parts Number	Parts Name(EN)	Qty	Specification
01	5HYV-341300-1C00	SEAT BELT, PASSENGER	1	
02	5ASV-341100-6200-22	BOLT	4	
03	5ASV-341100-6200-23	WASHER	4	
04	5ASV-341100-6200-28	WASHER	3	"
05	5ASV-341100-6200-27	WASHER	4	"
06	5ASV-341100-6200-26	LOCK WASHER	8	
07	5ASV-341100-6200-25	NUT	8	
08	5ASV-341100-6200-34	BOLT	4	
09	5HYV-341200-1C00-35	RH BUCKLE ASSY	2	
10	5HYV-341200-1C00	SEAT BELT, PASSENGER	1	

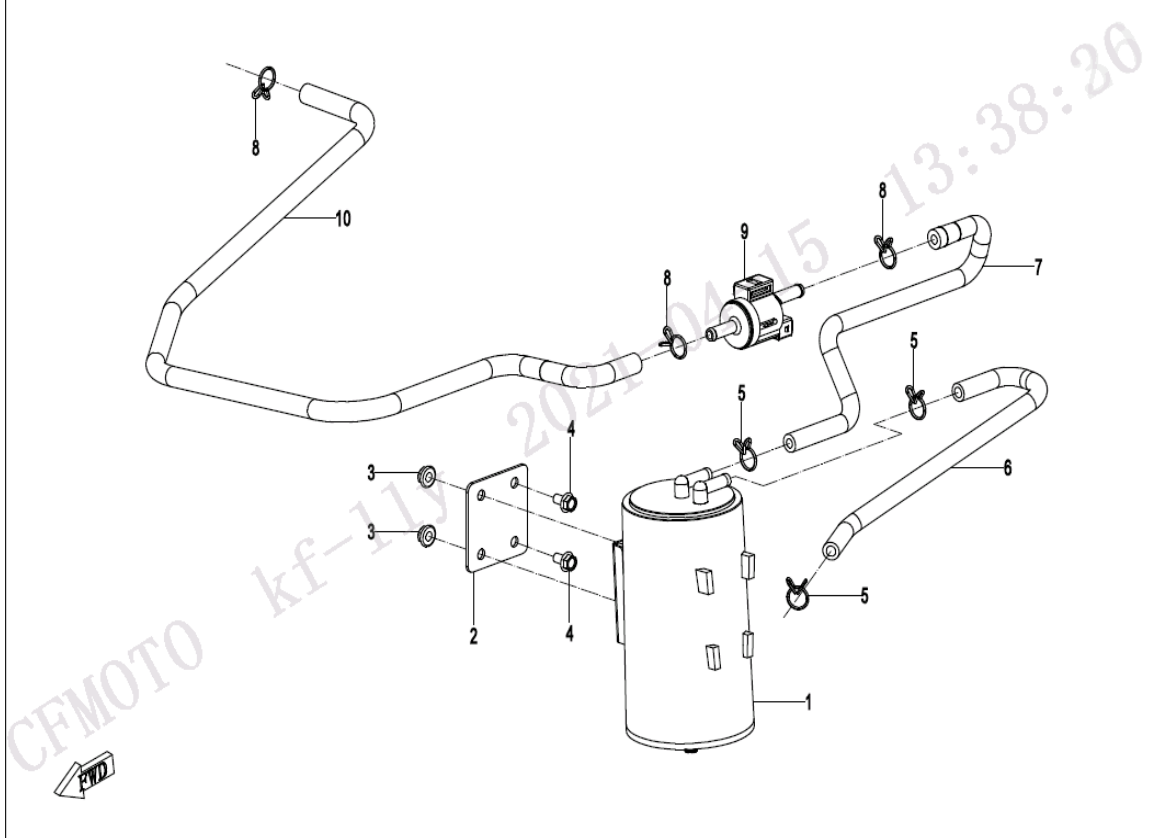
安全带总成/SEAT BELT ASSY



F34-4 SEAT BELT ASSY (BACK SEAT)

Item No.	Parts Number	Parts Name(EN)	Qty	Specification
01	5SYV-341400-6000	LH SEAT BELT, PASSENGER	1	
02	5ASV-341100-6200-22	BOLT	2	
03	5ASV-341100-6200-23	WASHER	2	
04	5ASV-341100-6200-28	WASHER	2	"
05	5ASV-341100-6200-27	WASHER	2	"
06	5ASV-341100-6200-26	LOCK WASHER	4	
07	5ASV-341100-6200-25	NUT	4	
08	5ASV-341100-6200-34	BOLT	2	

燃油蒸发系统/FUEL VAPORIZATION SYSTEM



F36 FUEL EVAPORATION SYSTEM

Item No.	Parts Number	Parts Name(EN)	Qty	Specification
01	9AWA-360200	CANISTER	1	
02	5HY0-360001	CANISTER BRACKET	1	
03	30204-060810	NUT M6	2	M6
04	30006-060012810	BOLT M6x12	2	M6x12
05	30601-112010	CLAMP A12	3	A12
06	5HY0-360002	FUEL VAPOR HOSE I	1	
07	5HY0-360007	FUEL VAPOR HOSE 3	1	
08	30601-113010	CLAMP A13	3	A13
09	1F30-172000	CANISTER MAGNETIC VALVE	1	
10	5HY0-360008	FUEL VAPOR HOSE 4	1	



# UFORCE 1000 UFORCE 1000XL

## OWNER'S MANUAL

READ THIS  
MANUAL  
CAREFULLY.

It contains important  
safety information.

This ROV should not be ridden by  
anyone under 16 years of age.  
Passenger under 12 are prohibited.

### F38-A OWNER'S MANUAL (NA)

Item No.	Parts Number	Parts Name(EN)	Qty	Specification
01	5SYV-380101-6000-13	OWNERS MANUAL	1	EPA



# UFORCE 1000/1000 XL

CF1000UU / CF1000UZ / CF1000UU-2

## 使用说明书

请仔细阅读本手册

此手册包含重要的安全信息

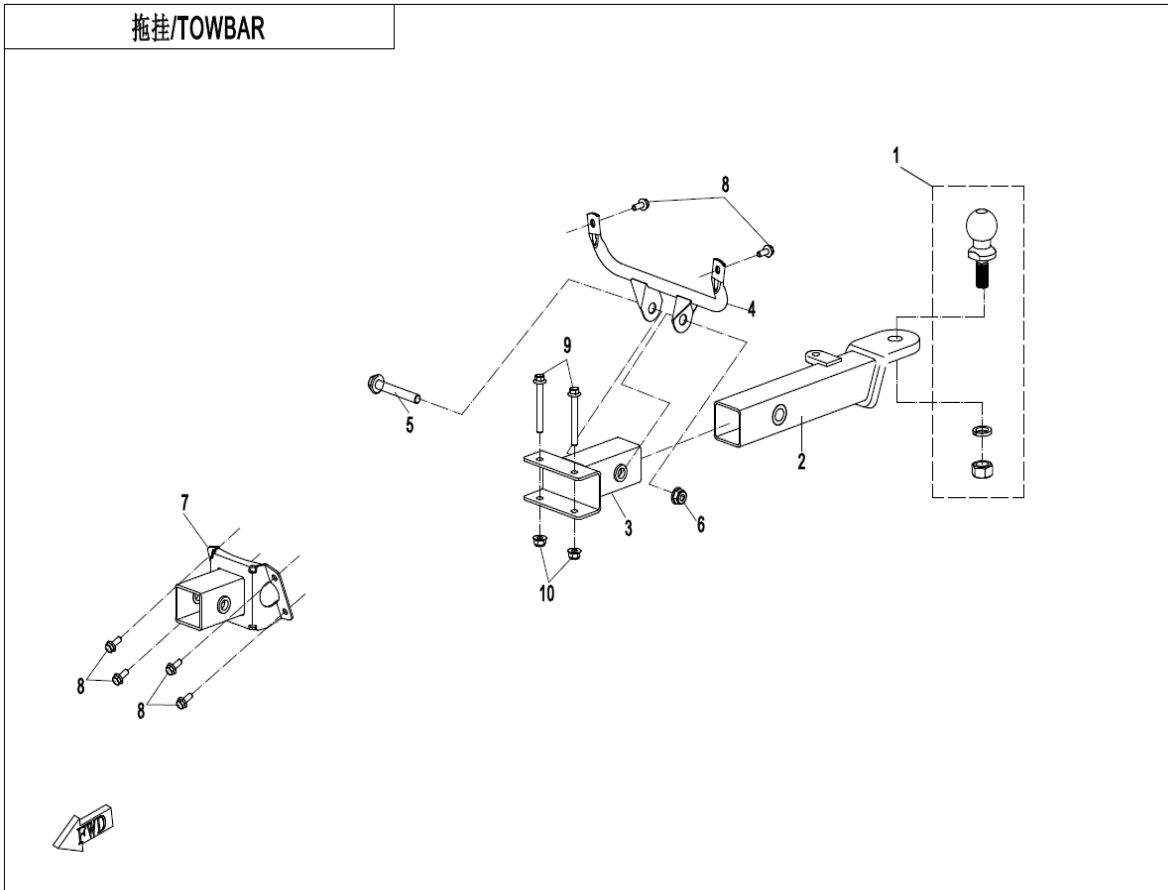
18周岁以下禁止驾驶本车。

12周岁以下禁止乘坐。

### F38-B OWNER'S MANUAL(CHINESE)

Item No.	Parts Number	Parts Name(EN)	Qty	Specification
01	5SYV-380101-6100-11	OWNERS MANUAL	1	

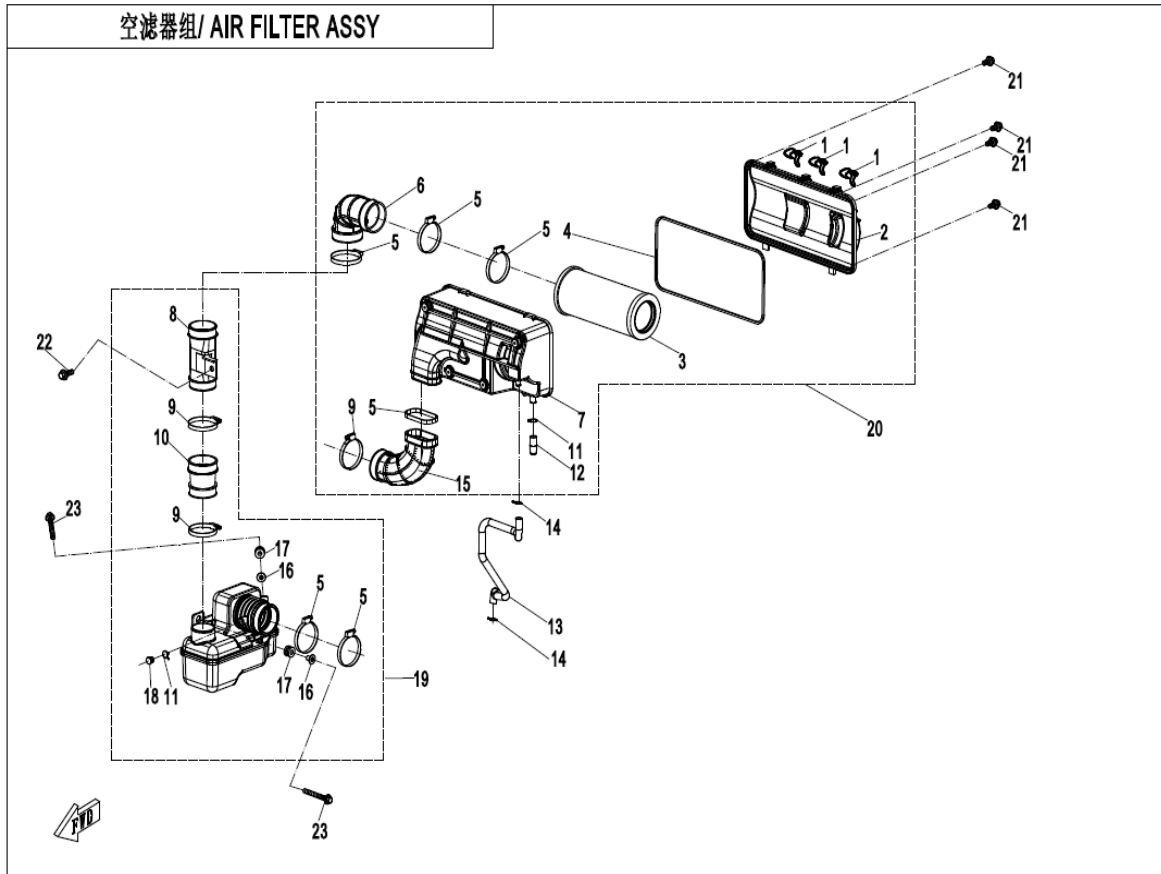
拖挂/TOWBAR



### F40 TOWBAR (TRAILER REINFORCEMENT EQUIPMENT)

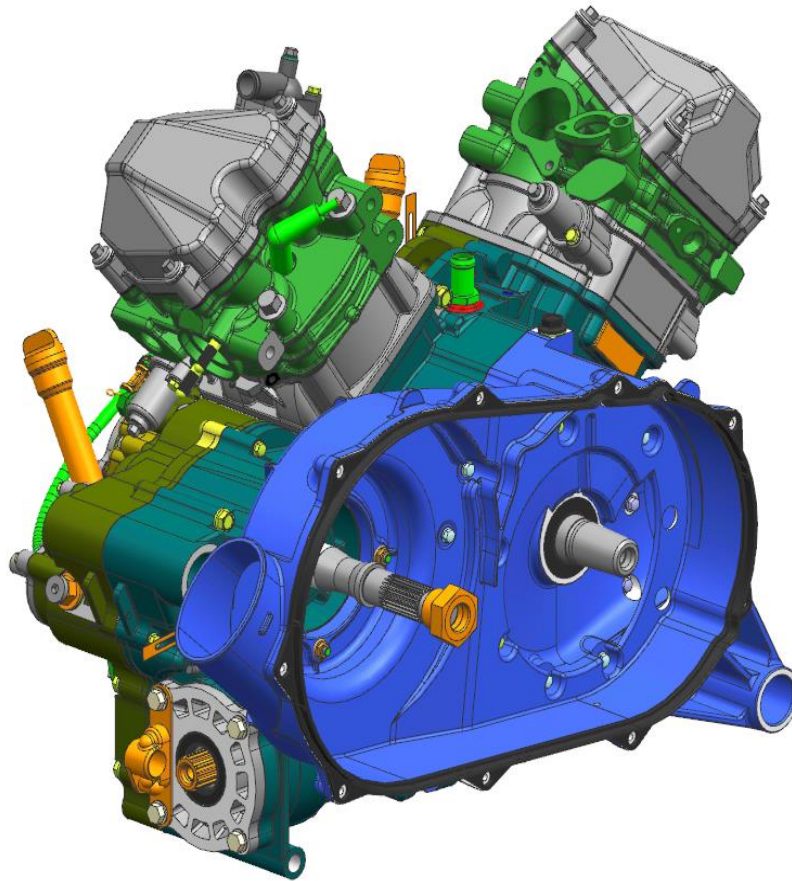
Item No.	Parts Number	Parts Name(EN)	Qty	Specification
01	5BW1-401310-10000	TOWING HITCHBALL	1	50MM
02	5BW1-401200-20000	TOWING TUBE	1	
03	5HY0-401100	TRAILER BRACKET ASSY	1	
04	5HY0-401200-20000	REINFORCEMENT SEAT, TOWING	1	
05	5BW1-401106	BOLT, TOWING	1	
06	30218-163860	NUT M16x1.5	1	M16x1.5
07	5HY0-401300	BRACKET ASSY, FRONT TRAILER	1	
08	30006-080020810	BOLT M8x20	6	M8x20
09	30006-102080810	BOLT M10x1.25x80	2	M10x1.25x80
10	30204-102810	NUT M10x1.25	2	M10x1.25





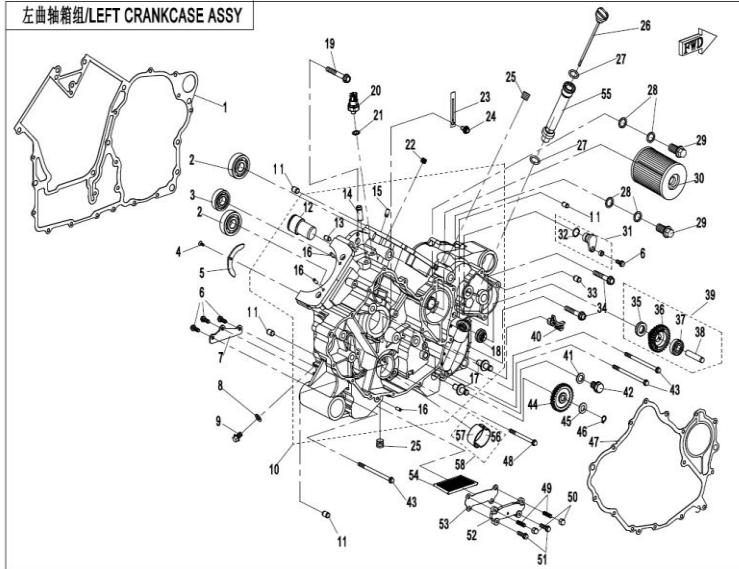
## F41 AIR FILTER ASSY

Item No.	Parts Number	Parts Name(EN)	Qty	Specification
01	OJYA-111120-10000	CLASP	3	
02	OJYA-111101-10000	COVER, AIR FILTER	1	
03	5HYV-111130-1D00	AIR FILTER ELEMENT	1	
04	OJYA-111102-10000	SEAL RING, AIR FILTER	1	
05	9030-000109	SCREW CLAMP, A-TYPE	6	70~90
06	OJYA-111001-10001	AIR INTAKE PIPE, AIR FILTER	1	
07	OJYA-111110-10001	HOUSING, AIR FILTER	1	
08	OJYA-113001-10002	CONNECTING PIPE, EXPANSION TANK	1	
09	9010-020007	A-TYPE SCREW CLAMP	3	50-70
10	OJYA-113002-10001	CONNECTING HOSE, EXPANSION CASE	1	
11	30601-117020	CLAMP	2	A17
12	0180-110005	OIL STORAGE HOSE	1	
13	OJYA-110001-10000	BREATHER HOSE	1	
14	30601-115020		2	A15
15	OJYA-111002-10001	CONNECTING PIPE, AIR FILTER	1	
16	9010-120310	RUBBER LINER, FUEL TANK	2	
17	9010-120007	REAR CUSHION SLEEVE, FUEL TANK	2	
18	OJYA-113003-10000	PLUG	1	
19	OJYA-113000-10003	EXPANSION BOX SUB ASSY	1	
20	OJYA-111000-10001	AIR FILTER SUB ASSY, U10	1	
21	30006-060012810	BOLT M6x12	4	M6x12
22	30102-060016810	SCREW	1	
23	0020-011018-0010	BOLT M6x70	2	M6x70
23	0020-011018-00001	BOLT	2	



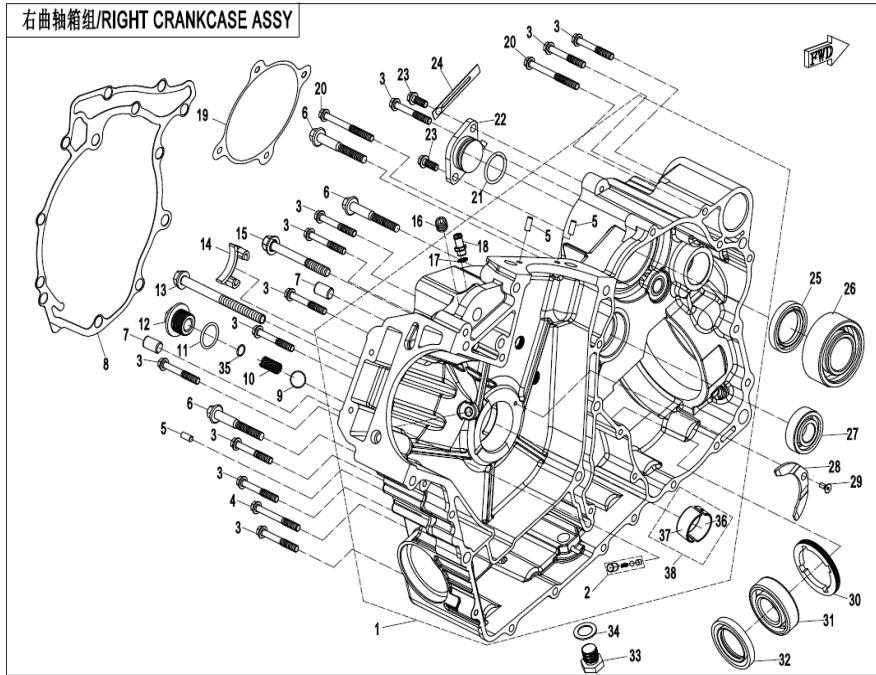
### E01 LONG BLOCK

Item No.	Parts Number	Parts Name(EN)	Qty	Specification
01	0JYA-BLB000-0840	2V91Y-U10 LONG BLOCK	1	SHORT DRIVEN BEVEL GEAR@STANDARD PLUG @
01	0JYA-CLB000-0840	2V91Y-U10 LONG BLOCK	1	SHORT DRIVEN BEVEL GEAR@SUMITOMO PLUG
01	0JYA-JLB000-0840	2V91Y-U10 LONG BLOCK	1	KAIDI PLUG



E01-1 LEFT CRANKCASE ASSY.

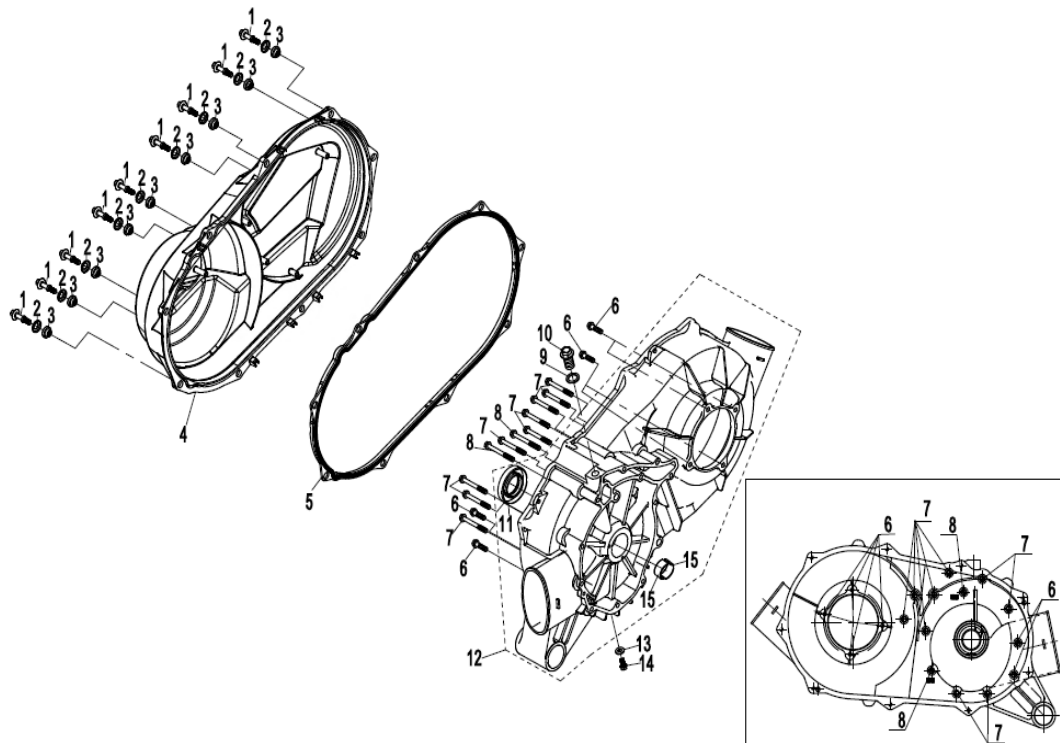
Item No.	Parts Number	Parts Name(EN)	Qty	Specification
01	0JWA-011001-30000	GASKET, CRANKCASE	1	
02	30499-01700		2	17
03	30400-01704		1	17
04	30122-040010850	SCREW M4x10	1	M4x10
05	0800-011003	THRUST WASHER, CRANKCASE	1	
06	0010-090005-0010	BOLT M6x16	4	M6x16
07	0JWA-011008		1	
08	0010-023305	WASHER 8.5	1	8.5
09	0180-332002-0010	BOLT M8x12.5, FLANGE	1	M8x12.5
10	0JWA-011100-20001	LH CRANKCASE ASSY	1	
10	0JWA-0111A1	LH CRANKCASE ASSY	1	
11	0010-021005	DOWEL PIN 10x14	4	10x14
12	0JWA-060001-10000	GEARSHAFT, REVERSE	1	
13	0700-022018	SOLID PIN 8x14	1	8x14
14	0010-013006-0010		1	
15	0800-011400	NOZZLE VALVE ASSY	1	
16	30406-00500	ROLLER NEEDLE P5x11.8	3	P5x11.8
17	0800-011104	IDLE GEAR SHAFT, BREATHER	2	
18	0800-011105	SEAT, BREATHER	1	
19	0130-011109-0010	BOLT M8x60	1	M8x60
20	0800-012400	OIL PRESSURE SWITCH	1	
21	0010-060010	WASHER 10	1	10
22	0800-011013-00001	RESTRICTION PLUG	1	
23	0180-014010	WIRE CLAMP	1	
24	0010-021019-0010	BOLT M6x12	1	M6x12
25	0800-011006-00001	SCREW PLUG	2	
26	0JWA-014100	DIPSTICK ASSY, ENGINE OIL	1	
27	0110-013030	O-SEAL RING 18x3.55	2	18x3.55
28	0180-011006	GASKET 14	4	14
29	0180-011007-0010	BOLT M14x1.5x32	2	M14x1.5x32
30	0800-011300-0004	OIL FILTER ELEMENT	1	
31	0130-011400	PLUG, SEAL	1	
32	0130-011303	O-SEAL RING 14x1.4	1	
33	0010-080008		1	Dia 8x14
34	0040-012006-0010	BOLT M8x50	2	M8x50
35	0800-011203		1	15x26x6
36	0800-011201		1	
37	30400-01003	BEARING	1	10
38	0800-011202	SHAFT, BREATHER	1	
39	0800-011200	BREATHER ASSY	1	
40	0800-011007	CHAIN GUARD	1	
41	0010-021014		1	12
42	0180-011500	DRAIN BOLT, MAGNETIC M12x1.5	1	M12x1.5
43	0030-011006-0010	BOLT M6x105	3	M6x105
44	0800-011004		1	
45	0800-011005	WASHER 10	1	10
46	30801-01005		1	10
47	0JWA-011004-30000	GASKET, LH CRANKCASE COVER	1	
48	0A70-011005-00001	BOLT M6x75	1	
49	30017-060022110	BOLT	2	
50	30212-060810	CAP-SHAPE BOLT M6	2	M6
51	0010-080013-0010	BOLT M6x22	2	M6x22
52	0JWA-011002		1	
53	0JWA-011003-10000	OUTER GASKET, STRAINER	1	
54	0JWA-011009	OIL STRAINER	1	
55	0800-011011-1000	JOINT PIPE, OIL DIPSTICK	1	
56	0800-011103-00011	PLAIN BEARING 2	1	RED@THIN
56	0800-011103-00021	PLAIN BEARING 2	1	BLUE@THICK
57	0800-011102-00011	PLAIN BEARING 1	1	RED@THIN
57	0800-011102-00021	PLAIN BEARING 1	1	BLUE@THICK
58	0800-0111A0-00001	PLAIN BEARING KIT, MAIN SHAFT	1	RED
58	0800-0111B0-00001	PLAIN BEARING KIT, MAIN SHAFT	1	BLUE



### E01-2-B-V2 RIGHT CRANKCASE ASSY.

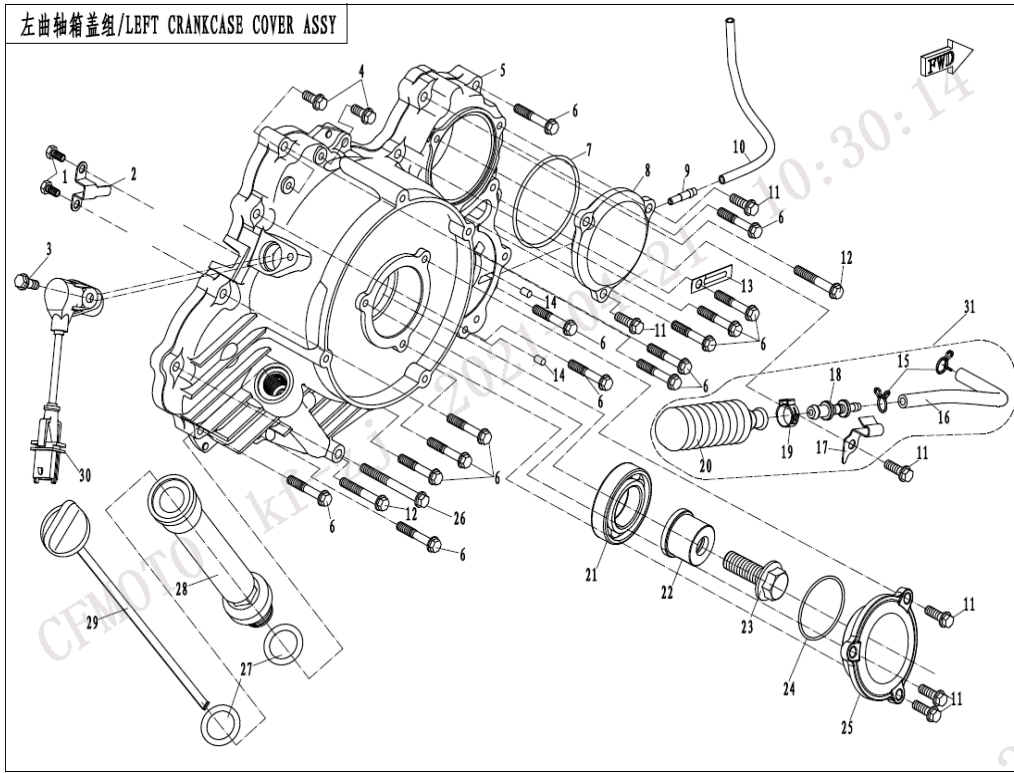
Item No.	Parts Number	Parts Name(EN)	Qty	Specification
01	0JWA-012100-20004	RH CRANKCASE ASSY	1	
01	0JWA-0121A1	RH CRANKCASE ASSY	1	
02	0800-011400	NOZZLE VALVE ASSY	1	
03	0180-013208-0010	BOLT M6x45	11	M6x45
04	0010-021018-0010	BOLT M6x55	1	M6x55
05	30406-00500	ROLLER NEEDLE P5x11.8	3	P5x11.8
06	0130-011109-0010	BOLT M8x60	3	M8x60
07	0010-021005	DOWEL PIN 10x14	2	10x14
08	0JWA-012001	GASKET 1, CVT CASE	1	
09	3120015	STEEL BALL	1	
10	0700-012603-1000	SPRING, RELIEF VALVE	1	
11	0180-332004	O-SEAL RING 19x2.5	1	19x2.5
12	0GRO-014003	SCREW PLUG, RELIEF VALVE	1	
13	0130-011115-0010	BOLT M8x106	1	M8x106
13	0130-011115-00001	BOLT	1	
14	0800-011007	CHAIN GUARD	1	
15	0700-012003-00001	BOLT M8x73	1	M8x73
15	0700-012003-00002	BOLT	1	
16	01A0-012010-00001	SCREW	1	
17	0010-011008		1	15.8x2.4
18	0JWA-080009	JOINT, WATER PUMP COVER	1	
18	0JWA-080009-00001		1	
19	0JWA-012002	GASKET 2, CVT CASE	1	
20	0A70-011005-00001	BOLT M6x75	2	
21	0180-023002	O-SEAL RING 24x2.5	1	24x2.5
22	0800-012200-1000	GEAR SENSOR ASSY	1	SUMITOMO PLUG
22	0800-012200	GEAR SENSOR ASSY	1	ORDINARY
22	0800-012200-20000	GEAR SENSOR	1	KAIDI PLUG
23	0010-090005-0010	BOLT M6x16	2	M6x16
24	0180-014010	WIRE CLAMP	1	
25	0180-012006-00001		1	
26	30499-03000	BEARING	1	5206
27	30400-01704		1	17
28	0800-011003	THRUST WASHER, CRANKCASE	1	
29	30122-040010850	SCREW M4x10	1	M4x10
30	0JWA-012004		1	
31	30400-02501	BEARING	1	25
32	0010-011002		1	25x40x8
33	0JWA-012200	OIL DRAIN BOLT M14x1.5	1	M14x1.5
34	0JWA-012003		1	14.1x22x1
35	30304-050440	WASHER	1	
36	0800-011103-00011	PLAIN BEARING 2	1	RED@THIN
36	0800-011103-00021	PLAIN BEARING 2	1	BLUE@THICK
37	0800-011102-00011	PLAIN BEARING 1	1	RED@THIN
37	0800-011102-00021	PLAIN BEARING 1	1	BLUE@THICK
38	0800-0111A0-00001	PLAIN BEARING KIT, MAIN SHAFT	1	RED
38	0800-0111B0-00001	PLAIN BEARING KIT, MAIN SHAFT	1	BLUE

CVT箱组/CVT CASE ASSY



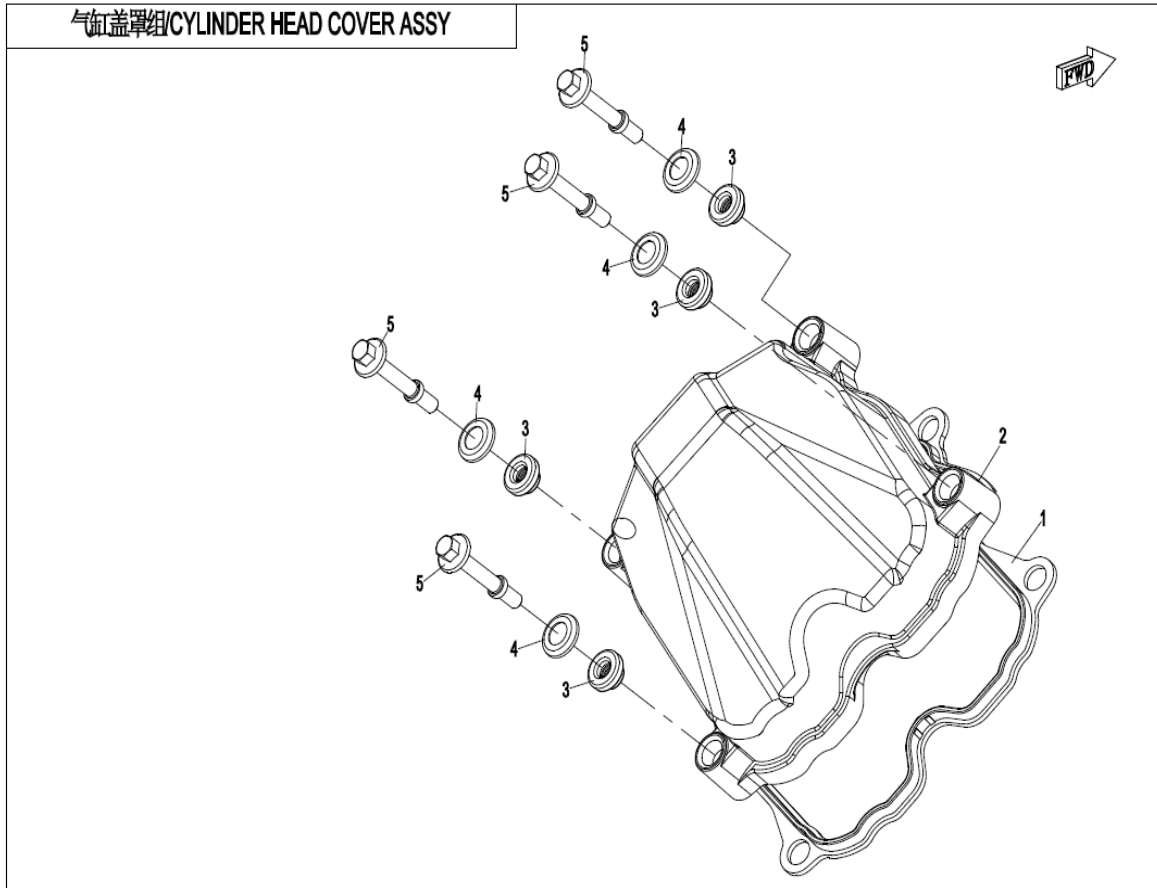
E01-3 CVT CASE ASSY.

Item No.	Parts Number	Parts Name(EN)	Qty	Specification
01	OJY0-013201-00001	BOLT, CVT CASE COVER	9	
01	OJY0-013201-00002	BOLT, CVT CASE COVER	9	
01	OJY0-013201-00003	BOLT, CVT CASE COVER	9	
02	0800-021103	CAP, RUBBER WASHER	9	
03	0800-021102	RUBBER WASHER	9	
04	OJWA-013201	COVER, CVT CASE	1	
05	OJY0-013002	SEAL RING,CVT CASE COVER	1	
06	0010-080013-0010	BOLT M6x22	6	M6x22
07	0010-013010-0010	BOLT M6x50	9	M6x50
08	0010-021018-0010	BOLT M6x55	2	M6x55
09	0180-011006	GASKET 14	1	14
10	0180-068001-00100	HOLLOW BOLT M14x1.5	1	M14x1.5
11	OJY0-013103	OIL SEAL 32X55X10	1	32X55X10
12	OJWA-013100-00001	CVT CASE ASSY	1	
13	0010-060009		1	6
14	0010-021019-0010	BOLT M6x12	1	M6x12
15	OJY0-013102-00011	PLAIN BEARING, CVT	2	RED
15	OJY0-013102-00021	PLAIN BEARING, CVT	2	BLUE



### E01-4-V2 LEFT CRANKCASE COVER ASSY.

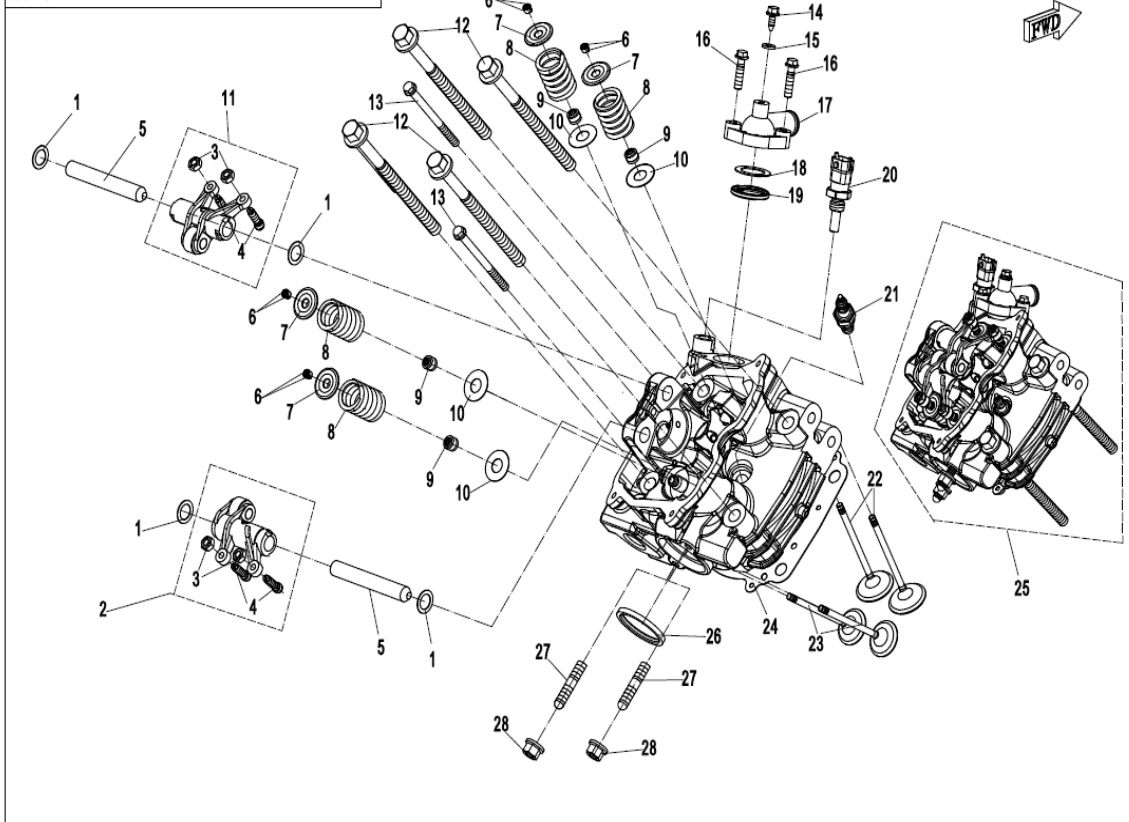
Item No.	Parts Number	Parts Name(EN)	Qty	Specification
01	0180-014004-00100	BOLT, LEAD HOLDER	2	
01	0180-014004-00001	BOLT, LEAD HOLDER	2	
02	OJWA-014003-10000		1	
03	0010-090005-0010	BOLT M6x16	1	M6x16
04	0010-021019-0010	BOLT M6x12	2	M6x12
05	OJWA-014001-10000	LH CRANKCASE COVER	1	
06	0010-013008-0010	BOLT M6x35	14	M6x35
07	0800-014003	O-SEAL RING 63x2.5	1	63x2.5
08	0800-014002-00001	FILTER COVER	1	
09	0180-311004-0020	JOINT, BREATHER HOSE	1	
10	0180-080003-10000	HOSE, OVERFILLING	1	
11	0010-023008-0010	BOLT M6x18	6	M6x18
11	0010-023008-00001	BOLT	6	
12	0010-013009-0010	BOLT M6x40	2	M6x40
13	0180-014010	WIRE CLAMP	1	
14	30406-00500	ROLLER NEEDLE P5x11.8	2	P5x11.8
15	30601-108010	CLAMP A8	2	A8
16	OJWA-014404	BREATHER HOSE, AIR BAG	1	
17	OJWA-014401	SUPPORTER, AIR BAG	1	
17	OJWA-014401-10000	SUPPORTER, AIR BAG	1	
18	OJWA-014402	JOINT,AIR BAG	1	
19	6070-120400		1	Dia14.5
20	OJWA-014403	AIR BAG	1	
21	30400-02800	BEARING	1	
22	0800-014008	SLEEVE, TIGHTENING	1	
23	0800-014009-00001	BOLT M12x1.25x35	1	M12x1.25x35
23	0800-014009-00002	BOLT	1	
24	OGRA-014003	O-SEAL RING 48x2.5	1	
25	0800-014011-10000	PLUG	1	
26	0010-011017-0010	BOLT M6x60	1	M6x60
27	0110-013030	O-SEAL RING 18x3.55	2	18x3.55
28	0800-011011-1000	JOINT PIPE, , OIL DIPSTICK	1	
29	OJWA-014100	DIPSTICK ASSY, ENGINE OIL	1	
30	0800-014100-1000	RPM SENSOR	1	SUMITOMO PLUG
30	0800-014100	RPM SENSOR	1	ORDINARY
30	0800-014100-20000	RPM SENSOR	1	KAITDI PLUG
31	OJWA-014400	AIR BAG	1	



### E02-1 CYLINDER HEAD COVER ASSY.

Item No.	Parts Number	Parts Name(EN)	Qty	Specification
01	0800-021002-00001	SEAL RING, CYLINDER HEAD COVER	2	
02	0800-021001	CYLINDER HEAD COVER	2	
03	0800-021102-10000	RUBBER WASHER	8	
04	0800-021103	CAP, RUBBER WASHER	8	
05	0800-021101-10001	BOLT, CYLINDER HEAD COVER	8	

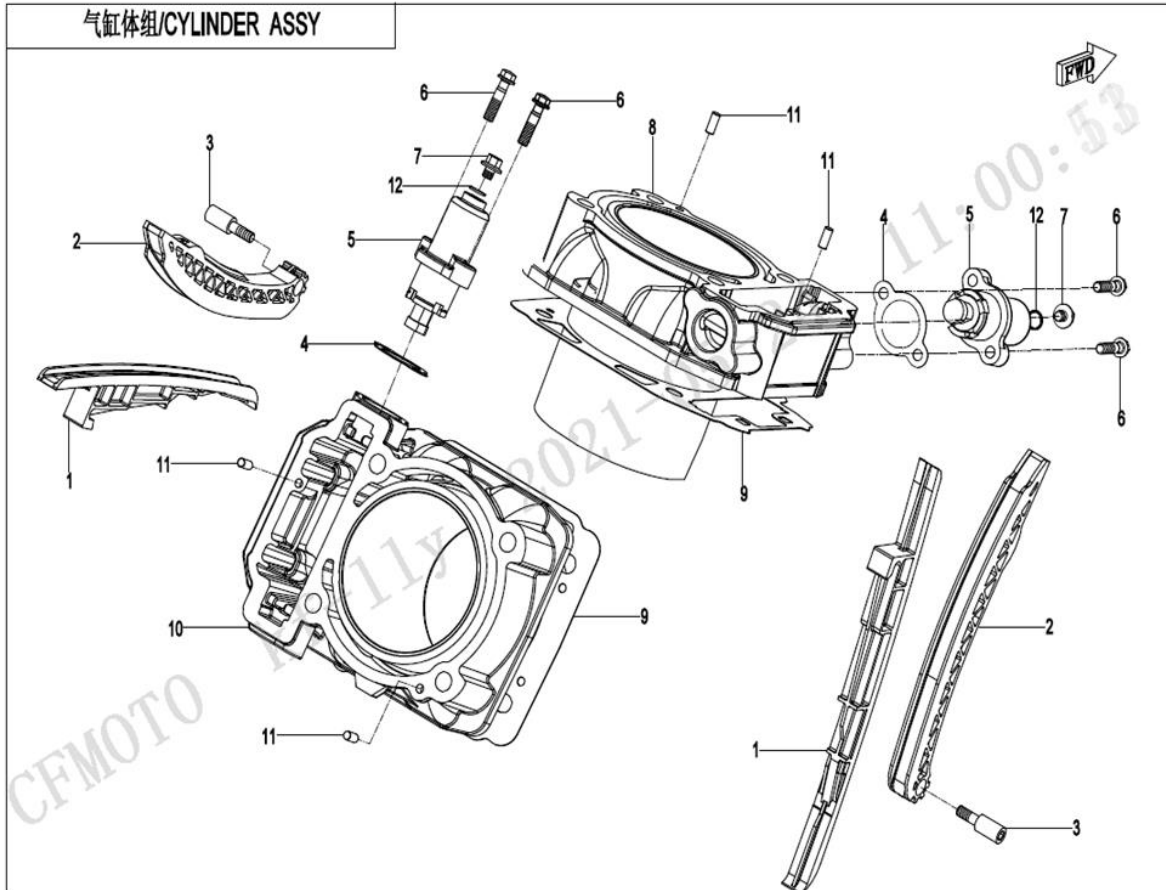
前气缸盖组/CYLINDER HEAD NO.1 ASSY



E02-2 CYLINDER HEAD NO.1 ASSY.

Item No.	Parts Number	Parts Name(EN)	Qty	Specification
01	0800-022002	WASHER 12.3x18.5x0.5	4	12.3x18.5x0.5
02	0800-022600-20000	ROCKER ARM ASSY, AIR EXHAUST	1	
03	0800-022506	ADJUST NUT, VALVE CLEARANCE	4	
04	0800-022510	ADJUST SCREW, VALVE CLEARANCE	4	
05	0800-022001	ROCKER ARM SHAFT	2	
06	0800-022016	LOCK CLIP, VALVE	8	
07	0800-022007	UPPER SEAT, VALVE SPRING	4	
08	0800-022006-10000	VALVE SPRING	4	
09	0010-022500-10000	SEAL RING, VALVE STEM	4	
10	0800-022008	LOWER SEAT, VALVE SPRING	4	
11	0800-022500-20000	ROCKER ARM ASSY, AIR INTAKE	1	
12	0JY0-022003-00001	BOLT, CYLINDER	4	
13	0060-013021-00001	BOLT M6x85	2	M6x85
13	0060-013021-00002	BOLT M6x85	2	M6x85
14	30132-550160030	SCREW ST5.5x16	1	ST5.5x16
15	0800-022011	WASHER 5.3x11x1.5	1	5.3x11x1.5
16	0010-021017-0010	BOLT M6x25	2	M6x25
17	0800-022013-10000	THERMOSTAT CAP	1	
18	0800-026002	WASHER 20.5x30x0.8	1	20.5x30x0.8
19	0010-022802	SEAL RING	1	
20	018B-022810	WATER TEMPERATURE SENSOR	1	
21	0800-022800	SPARK PLUG	1	
22	0800-022004	VALVE, INTAKE	2	
23	0800-022005	VALVE, EXHAUST	2	
24	0800-022200-00002	GASKET, CYLINDER HEAD	1	
25	0JY0-022000-20001	FIRST CYLINDER HEAD SUB ASSY	1	
25	0JY0-022000-20002	FIRST CYLINDER HEAD	1	
26	0800-022300	BUSHING, EXHAUST PIPE	1	
27	0180-022003-00001	STUD M8x42	2	
28	0010-011700-0010	FLANGE NUT M8	2	M8

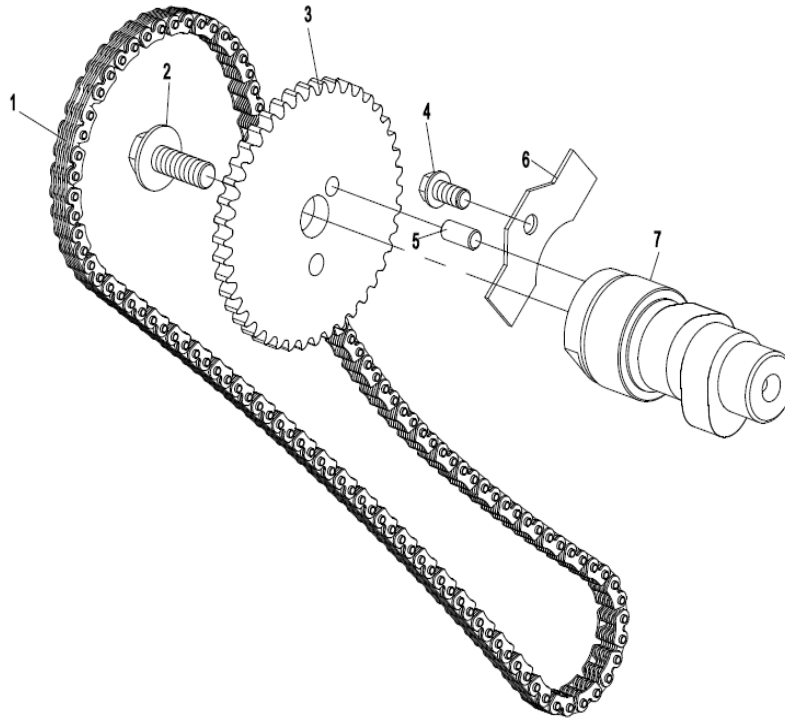




### E02-3-V2 CYLINDER BODY ASSY.

Item No.	Parts Number	Parts Name(EN)	Qty	Specification
01	OJY0-023004	GUIDE PLATE	2	
02	OJY0-023003	TENSION PLATE	2	
03	0800-023001-00001	PIN, TENSIONER PLATE	2	
03	0800-023001-00002	SCREW, TENSIONER PLATE	2	
04	0180-023003	GASKET, TENSIONER	2	
05	0GS0-023200-00001	TENSIONER ASSY	2	
06	0010-021017-0010	BOLT M6x25	4	M6x25
07	OJYA-023001-00001	HEX FLANGE BOLT M6x6	2	
08	OJY0-023200-10011	SECOND CYLINDER BODY ASSY	1	MARK 1
08	OJY0-023200-10021	SECOND CYLINDER BODY ASSY	1	MARK 2
09	0800-023002	GASKET, CYLINDER	2	
09	0800-023002-00001	GASKET, CYLINDER	2	
10	OJY0-023100-10011	FIRST CYLINDER BODY ASSY	1	MARK 1
10	OJY0-023100-10021	FIRST CYLINDER BODY ASSY	1	MARK 2
11	30406-00500	ROLLER NEEDLE P5x11.8	4	P5x11.8
12	0700-011202		2	8.2x1.90

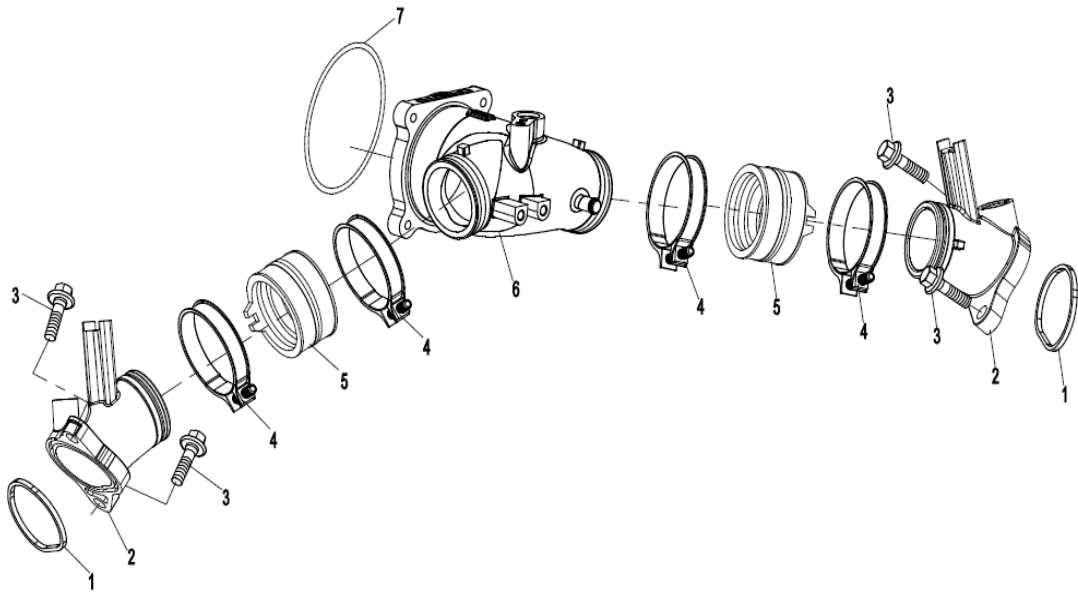
前缸凸轮轴组/CAMSHAFT OF CYLINDER 1 ASSY



E02-4 CAMSHAFT OF CYLINDER 1 ASSY.

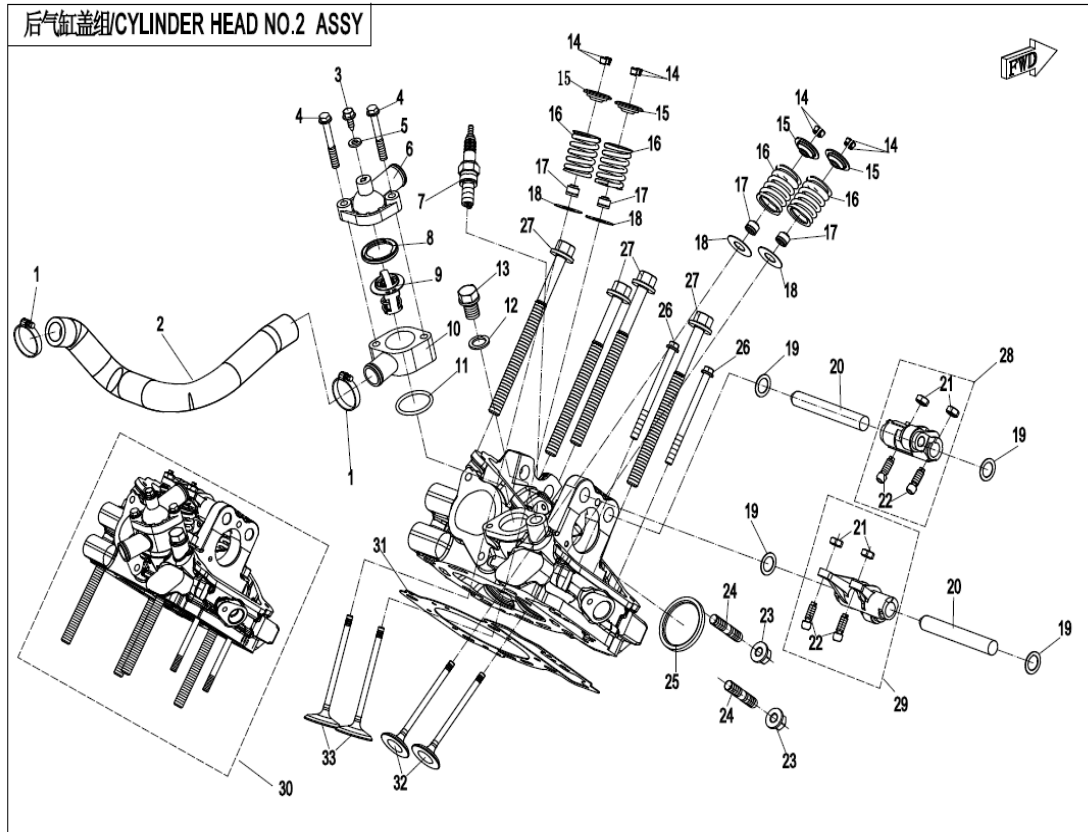
Item No.	Parts Number	Parts Name(EN)	Qty	Specification
01	0JY0-024100-10000	TIMING CHAIN ASSY	1	CHOHO
01	0JY0-024100	TIMING CHAIN	1	
02	0800-024003-00001	BOLT, TIMING SPROCKET	1	
02	0800-024003-00002	BOLT, TIMING SPROCKET	1	
03	0800-024006	TIMING SPROCKET	1	
04	0010-021019-0010	BOLT M6x12	1	M6x12
05	0800-024002	DOWEL PIN, SPROCKET	1	
06	0800-024004-10000	HOLDING STRIP, CAMSHAFT	1	
07	0JY0-024001	CAMSHAFT, FRONT CYLINDER	1	
07	0JY0-024001-00003	CAMSHAFT, FIRST CYLINDER	1	

进气管组/INTAKE TUBE ASSY



E02-5 INTAKE MANIFOLD ASSY.

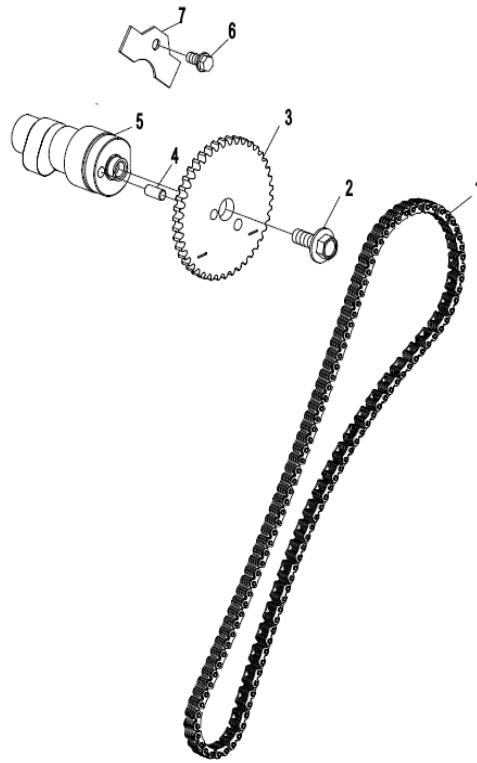
Item No.	Parts Number	Parts Name(EN)	Qty	Specification
01	0800-025002	SEAL RING, MANIFOLD	2	
01	080V-025002-1000	SEAL RING, MANIFOLD	2	
02	0JYA-025002-10000	AUXILIARY AIR INLET MANIFOLD	2	
03	0130-011114-00001	BOLT	4	
03	0130-011114-00001	BOLT	4	
04	0JYA-025010	CLAMP 54	4	
05	0JY0-025003	JOINT HOSE,AIR INLET PIPE	2	
06	0JYA-025005	AIR INLET PIPE, T-JOINT	1	
07	0180-331004	O-SEAL RING 64.5x3	1	64.5x3



### E02-6 CYLINDER HEAD NO.2 ASSY.

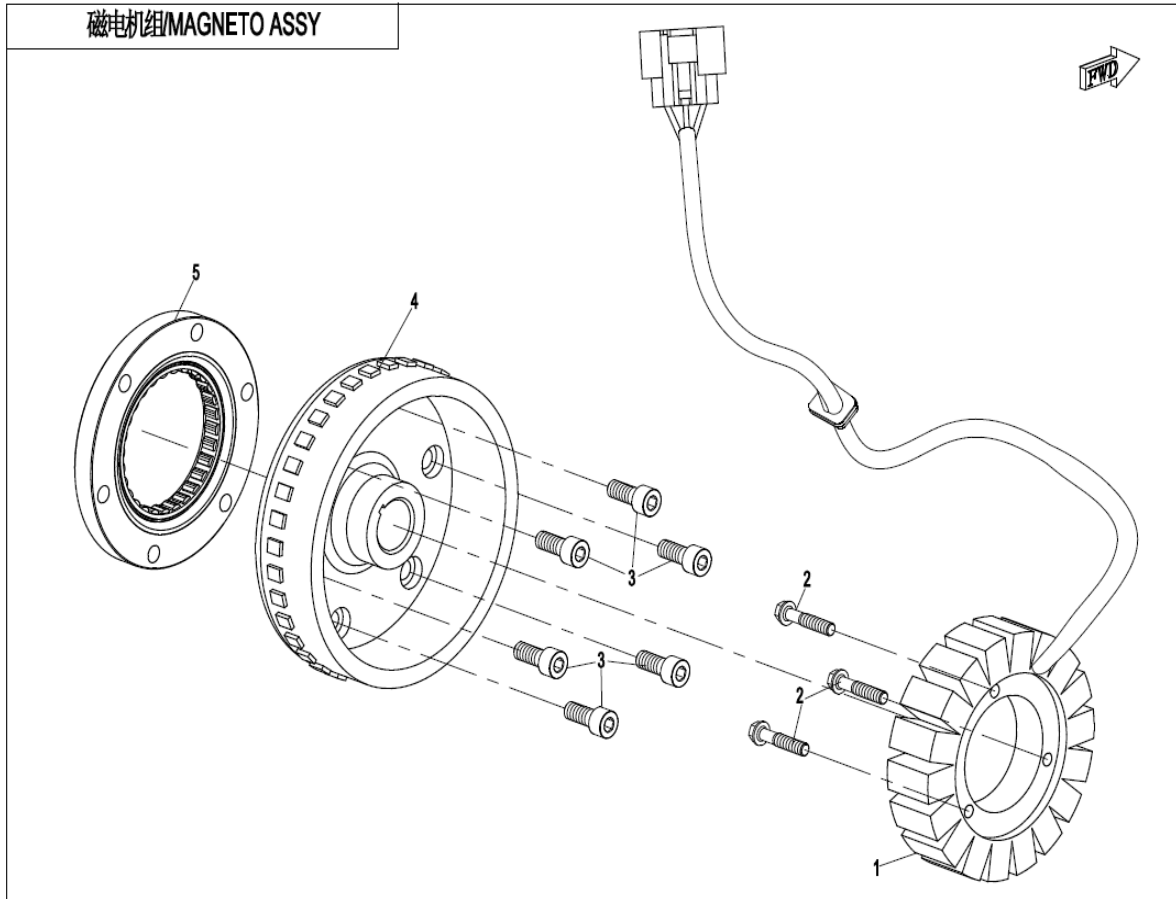
Item No.	Parts Number	Parts Name(EN)	Qty	Specification
01	30603-125020	CLAMP D25	2	D25
02	0JYA-026001	CONNECTING PIPE, FRONT & REAR CYLINDER	1	
03	30132-550160030	SCREW ST5.5x16	1	ST5.5x16
04	0180-013208-0010	BOLT M6x45	2	M6x45
05	0800-022011	WASHER 5.3x11x1.5	1	5.3x11x1.5
06	0800-022013-10000	THERMOSTAT CAP	1	
07	0800-022800	SPARK PLUG	1	
08	0010-022802	SEAL RING	1	
09	0800-022700	THERMOSTAT	1	
10	0800-022012	SEAT, THERMOSTAT	1	
11	30502-028000N	O-RING	1	28x2.65
12	0800-022014	WASHER 12.2x18x1.5	1	12.2x18x1.5
13	0800-022015-00001	SCREW PLUG M12x1.5	1	
14	0800-022016	LOCK CLIP, VALVE	8	
15	0800-022007	UPPER SEAT, VALVE SPRING	4	
16	0800-022006-10000	VALVE SPRING	4	
17	0010-022500-10000	SEAL RING, VALVE STEM	4	
18	0800-022008	LOWER SEAT, VALVE SPRING	4	
19	0800-022002	WASHER 12.3x18.5x0.5	4	12.3x18.5x0.5
20	0800-022001	ROCKER ARM SHAFT	2	
21	0800-022506	ADJUST NUT, VALVE CLEARANCE	4	
22	0800-022510	ADJUST SCREW, VALVE CLEARANCE	4	
23	0010-011700-0010	FLANGE NUT M8	2	M8
24	0180-022003-00001	STUD M8x42	2	
25	0800-022300	BUSHING, EXHAUST PIPE	1	
26	0060-013021-00001	BOLT M6x85	2	
26	0060-013021-00002	BOLT M6x85	2	M6x85
27	0JY0-022003-00001	BOLT, CYLINDER	4	
28	0800-022600-20000	ROCKER ARM ASSY, AIR EXHAUST	1	
29	0800-022500-20000	ROCKER ARM ASSY, AIR INTAKE	1	
30	0JYA-026000-20001	SECOND CYLINDER HEAD SUB ASSY	1	
30	0JYA-026000-20002	SECOND CYLINDER HEAD	1	
31	0800-022200-00002	GASKET, CYLINDER HEAD	1	
32	0800-022005	VALVE, EXHAUST	2	
33	0800-022004	VALVE, INTAKE	2	

后缸凸轮轴组/CAMSHAFT OF CYLINDER 2 ASSY



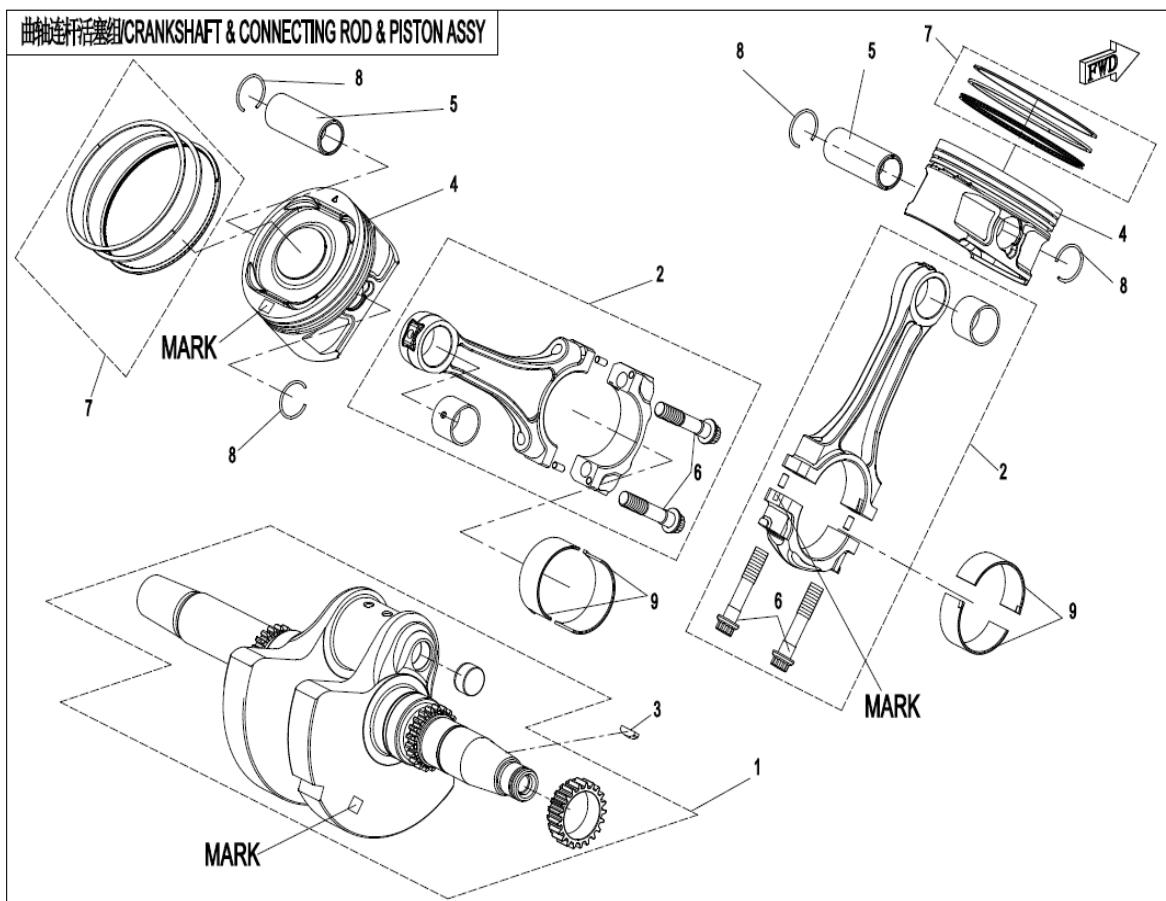
E02-7 CAMSHAFT OF CYLINDER 2 ASSY.

Item No.	Parts Number	Parts Name(EN)	Qty	Specification
01	0JY0-024100-10000	TIMING CHAIN ASSY	1	CHOHO
01	0JY0-024100	TIMING CHAIN	1	
02	0800-024003-00001	BOLT, TIMING SPROCKET	1	
02	0800-024003-00002	BOLT, TIMING SPROCKET	1	
03	0800-024006	TIMING SPROCKET	1	
04	0800-024002	DOWEL PIN, SPROCKET	1	
05	0JY0-027001	CAMSHAFT, REAR CYLINDER	1	
05	0JY0-027001-00003	CAMSHAFT, SECOND CYLINDER	1	
06	0010-021019-0010	BOLT M6x12	1	M6x12
07	0800-024004-10000	HOLDING STRIP, CAMSHAFT	1	



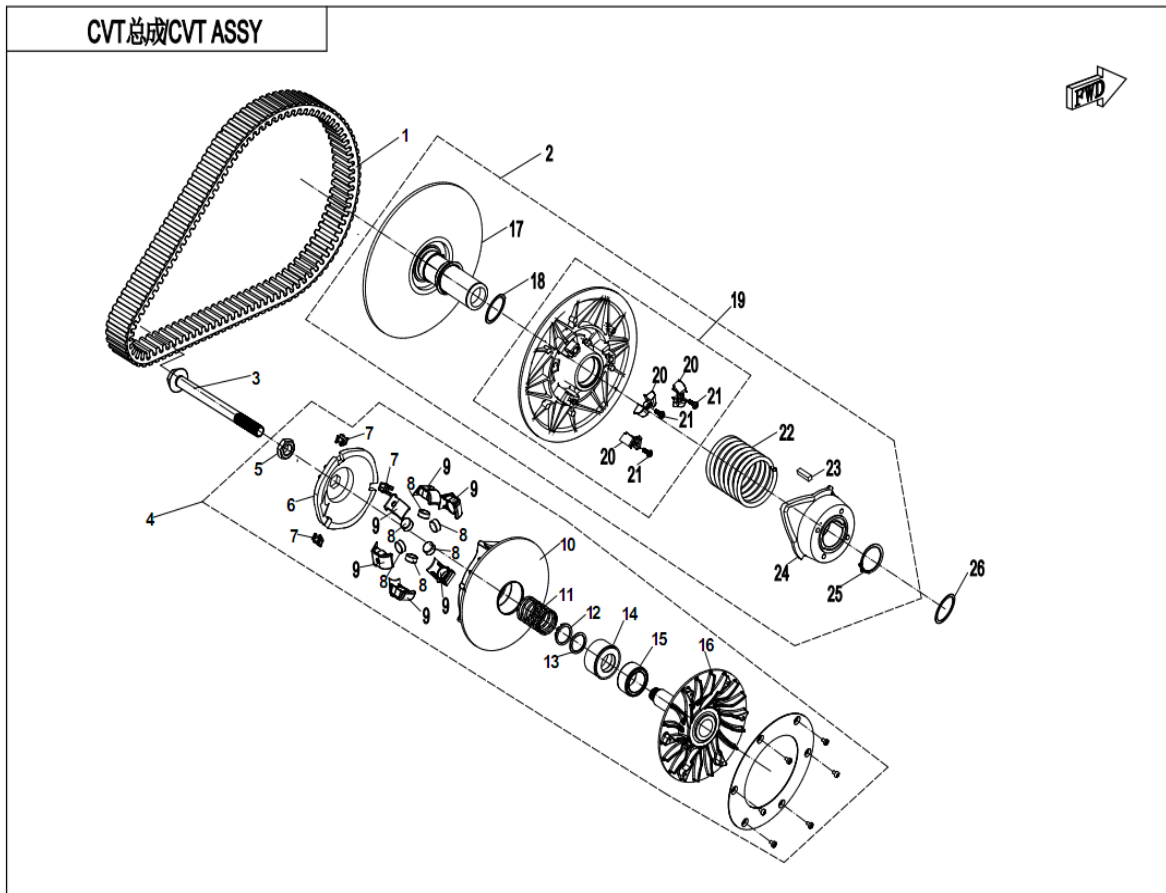
### E03-V2 MAGNETO ASSY.

Item No.	Parts Number	Parts Name(EN)	Qty	Specification
01	0800-032000-60000	MAGNETO STATOR ASSY.	1	
02	0800-030001-00001	BOLT M6x35	3	
03	30102-080020810	SCREW M8x20	6	M8x20
04	0JYA-031000-40000	MAGNETO ROTOR ASSY.	1	
05	0180-091200	OVERRIDING CLUTCH	1	



## E04-V2 CRANKSHAFT & CONNECTING ROD & PISTON ASSY.

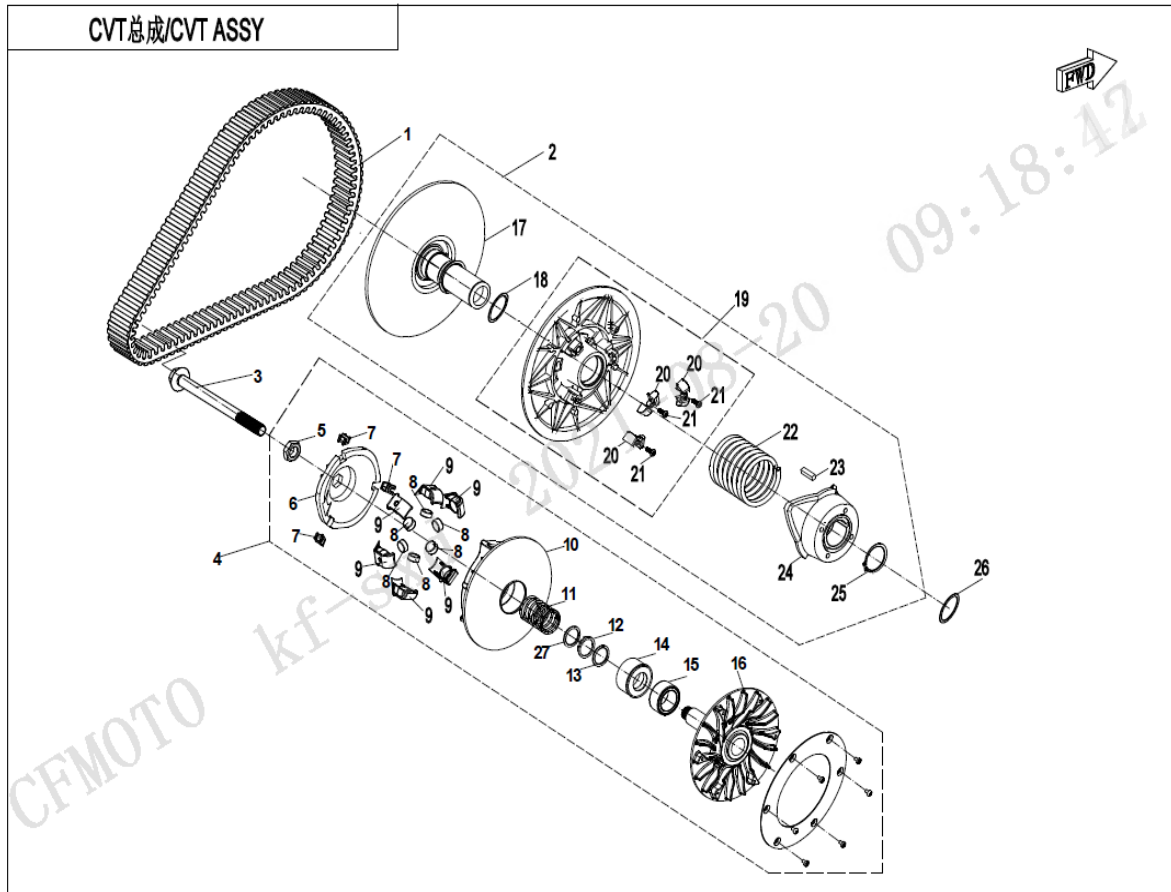
Item No.	Parts Number	Parts Name(EN)	Qty	Specification
01	OJYA-041000-10012	CRANKSHAFT ASSY	1	MARK A
01	OJYA-041000-10022	CRANKSHAFT ASSY	1	MARK B
02	OJYO-041000-00021	CONNECTING ROD	1	MARK2
02	OJYO-041000-00011	CONNECTING ROD	1	MARK1
03	0180-040007	WOODRUFF KEY	1	
04	OJYA-040001-00011	PISTON	2	GROUP 1
04	OJYA-040001-00021	PISTON	2	GROUP 2
04	OJYA-040001-00012	PISTON	2	MARK1
04	OJYA-040001-00022	PISTON	2	MARK 2
05	0800-040002	PISTON PIN	2	
06	0800-042004	BOLT, CONNECTING ROD	4	
07	OJYA-0400B0	PISTON RING ASSY	2	SUPPLIERS:ATG
07	0800-0400A0	PISTON RING ASSY	2	SUPPLIERS:DY
08	0800-040005	CIRCLIP, PISTON PIN	4	
09	OJYO-040003-00032	PALIN BEARING, CONNECTING ROD	4	YELLOW
09	OJYO-040003-00022	PALIN BEARING, CONNECTING ROD	4	BLACK
09	OJYO-040003-00012	PLAIN BEARING, CONNECTING ROD	4	RED



### E05-A-V2 CVT ASSY

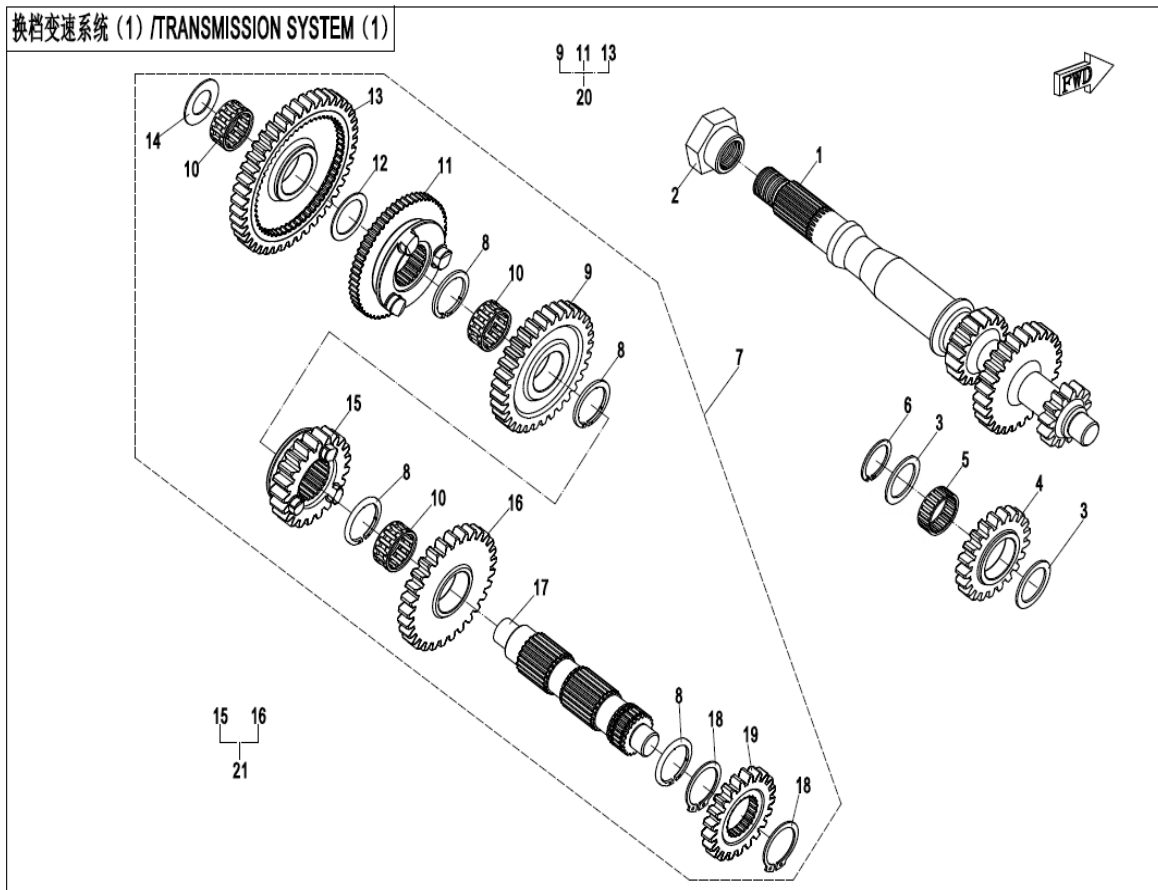
Item No.	Parts Number	Parts Name(EN)	Qty	Specification
01	OJWA-055000-10000	TOOTHED DRIVE BELT	1	
02	OJYA-052000	DRIVEN PULLEY ASSY	1	
03	OJYO-050001-00001	BOLT, DRIVE PULLEY	1	
04	OJYA-051000-10002	CVT DRIVE PULLEY ASSY	1	
05	OJYA-051013-10001	NUT, DRIVE PULLEY	1	
06	OJYA-051006-10000	THRUST COLLAR	1	CVtech
07	OJYA-051004-10000	NYLON PARTS, THRUST DISC	3	
08	OJYA-051001	WEIGHT ROLLER	6	20G
09	OGR0-051005	NYLON PROTECTOR, WEIGHT ROLLER	6	CVtech
10	OJYA-051100	MOVING PLATE ASSY, DRIVE PULLEY	1	CVtech
11	OJYO-051002	SPRING,DRIVE PULLEY	1	CVtech
12	OGR0-051009-10000	NYLON WASHER	1	
13	OGR0-051011	STEEL WASHER	1	CVtech
14	OGR0-051001	SPRING SEAT	1	CVtech
15	OGR0-051400-10000	BEARING	1	
16	OJYA-051200	DRIVE FIXED PULLEY ASSY	1	CVtech
17	OGR0-052100	DRIVEN FIXED PULLEY ASSY	1	CVtech
18	OJYA-052007	NYLON WASHER	1	CVtech
19	OGR0-0522A0	SLIDING FLANGE ASSY	1	CVtech
20	OGR0-052005	NYLON BLOCK	3	CVtech
21	OGR0-052006	SCREW	3	CVtech
22	OGR0-052001	SPRING, DRIVEN PULLEY	1	CVtech
23	OGR0-052003	TAPER KEY	1	CVtech
24	OGR0-052002	CAM PLATE	1	CVtech
25	OGR0-052004	CIRCLIP	1	CVtech
26	OGR0-050001-00001		1	





### E05-C CVT ASSY (FOR ELECTRONIC DOWNHILL BRAKING)

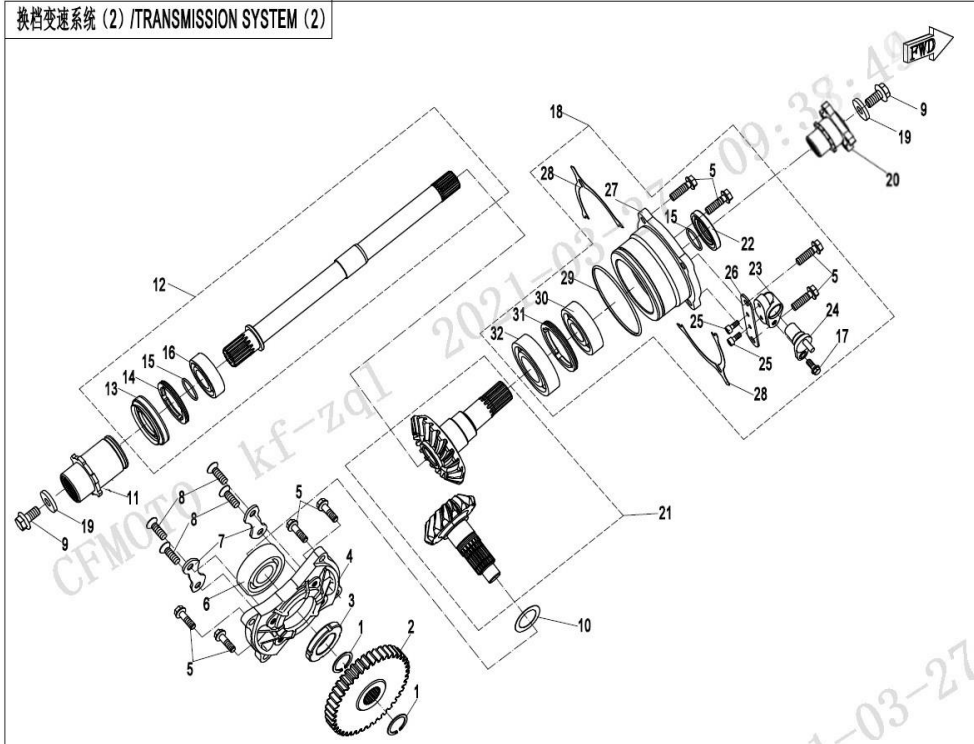
Item No.	Parts Number	Parts Name(EN)	Qty	Specification
01	OJWA-055000-10000	TOOTHED DRIVE BELT	1	
02	OJYA-052000	DRIVEN PULLEY ASSY	1	
03	OJYO-050001-00001	BOLT, DRIVE PULLEY	1	
04	OJYA-051000-60000	DRIVE PULLEY ASSY	1	
05	OJYA-051013-10001	NUT, DRIVE PULLEY	1	
06	OJYA-051006-10000	THRUST COLLAR	1	CVtech
07	OJYA-051004-10000	NYLON PARTS, THRUST DISC	3	
08	OJYA-051001	WEIGHT ROLLER	6	20G
09	OGR0-051005	NYLON PROTECTOR, WEIGHT ROLLER	6	CVtech
10	OJYA-051100	MOVING PLATE ASSY, DRIVE PULLEY	1	CVtech
11	OJYO-051002-10000	SPRING, DRIVE PULLEY	1	
12	OGR0-051009-10000	NYLON WASHER	1	
13	OGR0-051011	STEEL WASHER	1	CVtech
14	OGR0-051001	SPRING SEAT	1	CVtech
15	OGR0-051400-10000	BEARING	1	
16	OJYA-051200	DRIVE FIXED PULLEY ASSY	1	CVtech
17	OGR0-052100	DRIVEN FIXED PULLEY ASSY	1	CVtech
18	OJYA-052007	NYLON WASHER	1	CVtech
19	OGR0-0522A0	SLIDING FLANGE ASSY	1	CVtech
20	OGR0-052005	NYLON BLOCK	3	CVtech
21	OGR0-052006	SCREW	3	CVtech
22	OGR0-052001	SPRING, DRIVEN PULLEY	1	CVtech
23	OGR0-052003	TAPER KEY	1	CVtech
24	OGR0-052002	CAM PLATE	1	CVtech
25	OGR0-052004	CIRCLIP	1	CVtech
26	OGR0-050001-00001		1	
27	OJYA-051015	CIRCLIP	1	



## E06-1-V2 TRANSMISSION SYSTEM (1)

Item No.	Parts Number	Parts Name(EN)	Qty	Specification
01	0800-060004-10000	MAIN SHAFT, GEARSHIFT	1	
02	OJYO-060001-00001	NUT, MAIN DRIVE SHAFT	1	
02	OJYA-060002	NUT, DRIVEN PULLEY	1	
02	OJYO-060001-00002	NUT, MAIN DRIVE SHAFT	1	
03	OGR0-061009-00001	WASHER 25x34x1.5	2	25x34x1.5
04	0800-060003	INTERMEDIATE GEAR, REVERSE	1	
05	30402-02500	NEEDLE BEARING	1	K25x29x10
06	0180-061007-0050	CIRCLIP 25	1	25
07	OJWA-061000-30000	GEARSHIFT DRIVEN SHAFT	1	
08	0800-061007	CIRCLIP 29	4	29
10	30402-02402	NEEDLE BEARING	3	24
12	0800-061003	WASHER 24.5x33.5x1	1	24.5x33.5x1
14	0800-061002	WASHER 17.5x32x1	1	17.5x32x1
17	0800-061001	DRIVEN SHAFT	1	
18	30801-02905		2	29
19	0800-061009	GEAR, PARKING	1	
20	OJWA-0610B0-30000	GEARSHIFT GEAR ASSY	1	
21	OJWA-0610A0-30000	DRIVEN GEAR ASSY	1	

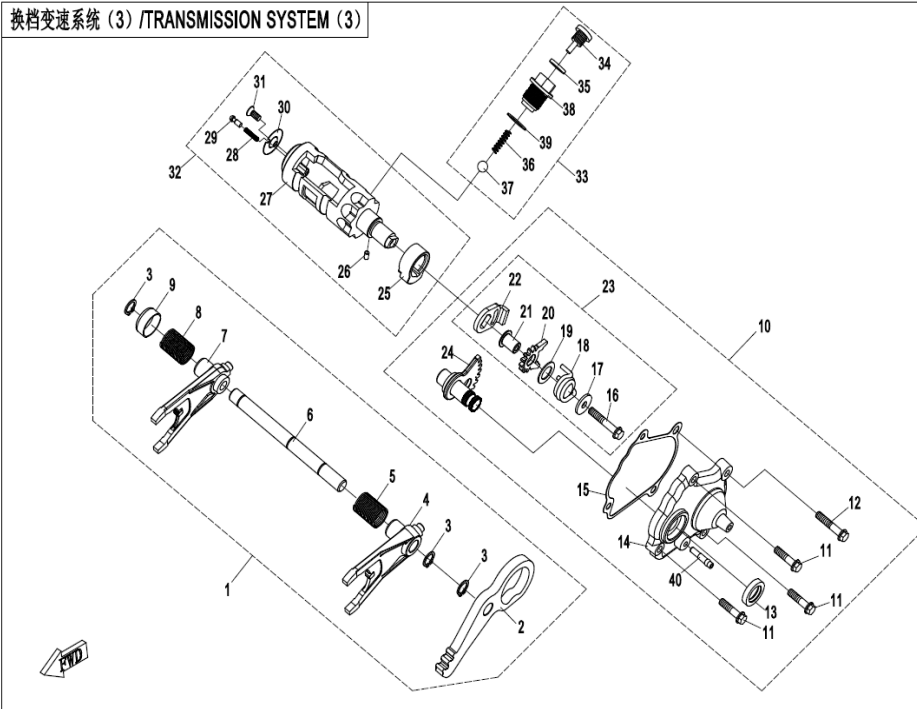
换挡变速系统 (2) / TRANSMISSION SYSTEM (2)



E06-2-V5 TRANSMISSION SYSTEM (2)

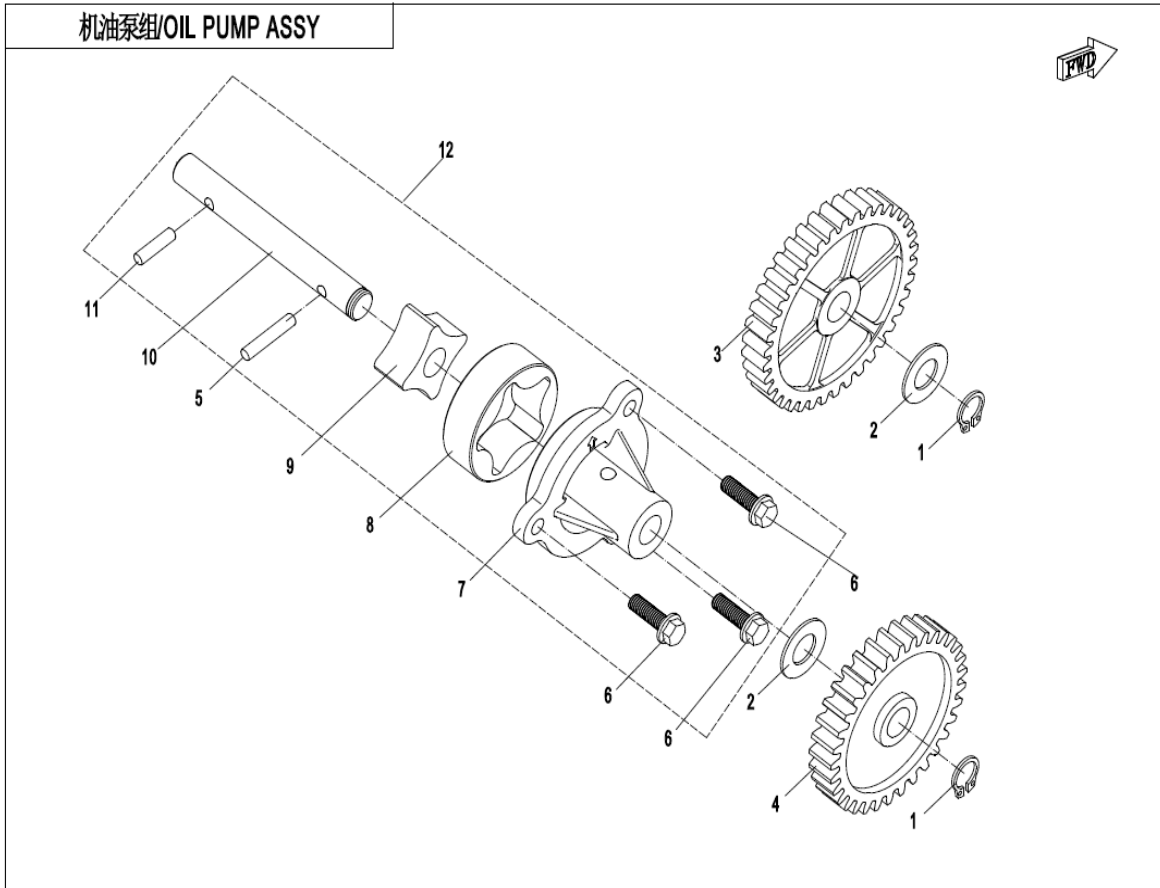
Item No.	Parts Number	Parts Name(EN)	Qty	Specification
01	0180-061007-0050	CIRCLIP 25	2	25
02	0800-062102	OUTPUT DRIVEN GEAR	1	
03	0JYA-062102-00001	LOCK NUT, BEVEL GEAR	1	M10x1.25x30
04	0JYA-062103	BEARING SEAT,DRIVE BEVEL GEAR	1	
05	0JYA-062104	BOLT M8x28	8	M8x28
06	0110-041007		1	28x68x18
07	0180-062104-0010	LIMITATOR, BEARING	2	
08	30124-080025810	SCREW M8x25	4	M8x25
09	0JWA-060002-00001	LOCK NUT, BEVEL GEAR	2	
10	0JYA-062101-00500	ADJUSTING GASKET, DRIVE BEVEL GEAR T=0.35	1	T=0.35
10	0JYA-062101-00400	ADJUSTING GASKET, DRIVE BEVEL GEAR T=0.30	1	T=0.30
10	0JYA-062101-00300	ADJUSTING GASKET, DRIVE BEVEL GEAR T=0.25	1	T=0.25
10	0JYA-062101-00200	ADJUSTING GASKET, DRIVE BEVEL GEAR T=0.20	1	T=0.20
10	0JYA-062101-00100	ADJUSTING GASKET, DRIVE BEVEL GEAR T=0.15	1	T=0.15
10	0JYV-062101-1E00-Q0-00001	ADJUSTING WASHER, DRIVE BEVEL GEAR	1	t=1.400-1.449
10	0JYV-062101-1E00-Q0-00002	ADJUSTING WASHER, DRIVE BEVEL GEAR	1	t=1.450-1.499
10	0JYV-062101-1E00-Q0-00003	ADJUSTING WASHER, DRIVE BEVEL GEAR	1	t=1.500-1.549
10	0JYV-062101-1E00-Q0-00004	ADJUSTING WASHER, DRIVE BEVEL GEAR	1	t=1.550-1.599
10	0JYV-062101-1E00-Q0-00005	ADJUSTING WASHER, DRIVE BEVEL GEAR	1	t=1.600-1.649
11	0GQ0-060100	FRONT OUTPUT BUSHING ASSY	1	
12	0JWA-062300-10001	FRONT OUTPUT SHAFT ASSY	1	
13	0JWA-062302	OIL SEAL 35x61x9(14)	1	35x61x9
14	0180-060008		1	
15	0800-062205	O-SEAL RING 25x2	2	25x2
16	30400-02501	BEARING	1	25
17	30001-060014810	BOLT M6x14	1	M6x14
18	0800-0622B0-00001	DRIVEN BEVEL GEAR	1	
19	0GRO-062204	WASHER 10x27.5x4	2	10x27.5x4
20	0JYA-060100	COUPLER ASSY., REAR TRANSMISSION OUTPUT	1	
21	0JYA-0622B0-00002	BEVEL GEAR ASSY	1	
22	0800-062204	OIL SEAL 35x50x7	1	35x50x7
23	0800-062208	SEAT, SPEED SENSOR	1	
24	7020-150400	SPEED SENSOR	1	
25	30102-050012810	SCREW M5x12	2	M5x12
26	0800-062209	PLATE, SPEED SENSOR	1	
27	0800-062202-10001	DRIVEN BEVEL GEAR BEARING SEAT	1	
28	0800-062203-0004	ADJUSTING GASKET, DRIVEN BEVEL GEAR T=0.5	2	T=0.5
28	0800-062203-0003	ADJUSTING GASKET, DRIVEN BEVEL GEAR T=0.4	2	T=0.4
28	0800-062203-0002	ADJUSTING GASKET, DRIVEN BEVEL GEAR T=0.3	2	T=0.3
28	0800-062203-0001	ADJUSTING GASKET, DRIVEN BEVEL GEAR T=0.2	2	T=0.2
28	0800-062203	ADJUSTING GASKET, DRIVEN BEVEL GEAR T=0.1	2	T=0.1
28	0800-062203-0050	ADJUSTING GASKET, DRIVEN BEVEL GEAR T=0.15	2	T=0.15
29	0180-062205	O-SEAL RING 88x2.5	1	88x2.5
30	30499-02501	BEARING	1	25
31	0800-062206	STOPPER NUT, BEARING	1	
32	30400-03500	BEARING	1	35

换挡变速系统 (3) / TRANSMISSION SYSTEM (3)



E06-3-V4 TRANSMISSION SYSTEM(3)

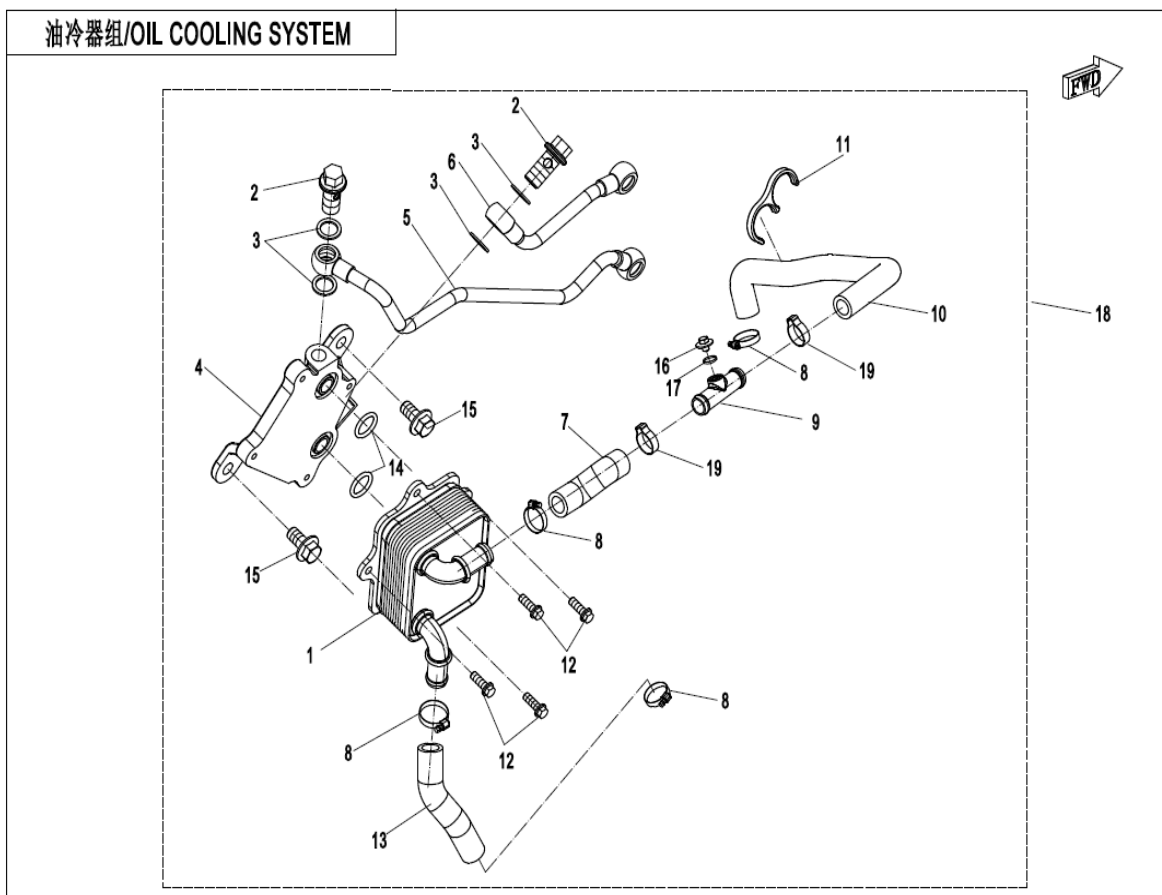
Item No.	Parts Number	Parts Name(EN)	Qty	Specification
01	0800-063000	SHIFT FORK ASSY	1	
02	0800-063001	SWING ARM, PARKING	1	
02	0800-063001-00001	SWING ARM, PARKING	1	
03	30801-01205		3	12
04	0800-063003	SHIFT FORK, LH	1	
05	0180-063003-0050	FORK SPRING, THIN	1	
06	0800-063002	SHAFT, SHIFT FORK	1	
07	0800-063004	SHIFT FORK, RH	1	
08	0180-063005-0050	FORK SPRING, THICK	1	
09	0180-063006-0010	SPRING SEAT	1	
10	0JWA-06500Z-20001	SHIFT SECTOR GEAR	1	
11	0010-021017-0010	BOLT M6x25	3	M6x25
12	0010-080012-0010	BOLT M6x32	1	M6x32
13	0180-065002		1	SD15x25x5
14	0JWA-065101-20000		1	
15	0180-065003	PAPER GASKET, SECTOR GEAR	1	
15	0GR0-065003	METAL GASKET, SECTOR GEAR	1	
16	0010-013008-0010	BOLT M6x35	1	M6x35
17	0180-065206-00001	WASHER 6.2x22x2	1	
18	0180-065205-0010	DRIVEN SPRING, DRIVEN SECTOR GE	1	
19	0180-065204-0050	GASKET 13.5x22x1	1	13.5x22x1
20	0180-065203	DRIVEN SECTOR GEAR	1	
21	0180-065202-0050		1	
22	0180-065201-0010	WASHER, DRIVEN SECTOR GEAR	1	
23	0180-065200	DRIVEN SECTOR GEAR ASSY	1	
24	0180-065100-10001	SHIFT DRIVE SECTOR GEAR	1	
24	0180-065100-10002	DRIVE SECTOR GEAR	1	
25	0800-064003	CAM, PARKING	1	
26	0800-064002	PIN SHAFT	1	
27	0800-064001-10000	SHIFT DRUM	1	
28	0180-064004-0050	SPRING, GEAR CONTACTOR	1	
29	0180-064003-0050	GEAR CONTACTOR	1	
30	0180-064001-0010	LIMIT GASKET	1	
31	0180-064002-00001	LOCK SCREW T25	1	
32	0800-064000-10000	DRUM ASSY, GEARSHIFT	1	
33	0JWA-068000	BOLT ASSY SHIFT LIMIT	1	
34	0800-068001-00001	SPRING SEAT, GEARSHIFT LIMIT	1	
35	0JWA-068004		1	12.2x18x3
36	0180-068003-0050	SPRING, LIMIT	1	
37	3120003		1	38"
38	0JWA-068002	BOLT, GEARSHIFT LIMIT	1	
39	0JWA-068003		1	18.2x25x1.5
40	0180-311004-0020	JOINT, BREATHER HOSE	1	



### E07-1 OIL PUMP ASSY.

Item No.	Parts Number	Parts Name(EN)	Qty	Specification
01	30801-01005		2	10
02	0800-011005	WASHER 10	2	10
03	0800-070006-1000	IDLE GEAR, OIL PUMP	1	
04	0800-070005	GEAR, OIL PUMP	1	
05	30406-00402	ROLLER NEEDLE P4x21.8	1	P4x21.8
06	0010-030002-0020	BOLT M5x16	3	M5x16
06	0010-030002-00001	BOLT	3	
07	OJWA-070003		1	
08	0800-070002	OUTER ROTOR, OIL PUMP	1	
09	0800-070001	INNER ROTOR, OIL PUMP	1	
10	OJWA-070004	SHAFT, OIL PUMP	1	
11	30406-00400	ROLLER NEEDLE P4x15.8	1	P4x15.8
12	OJYA-0700A0	FUEL PUMP	1	

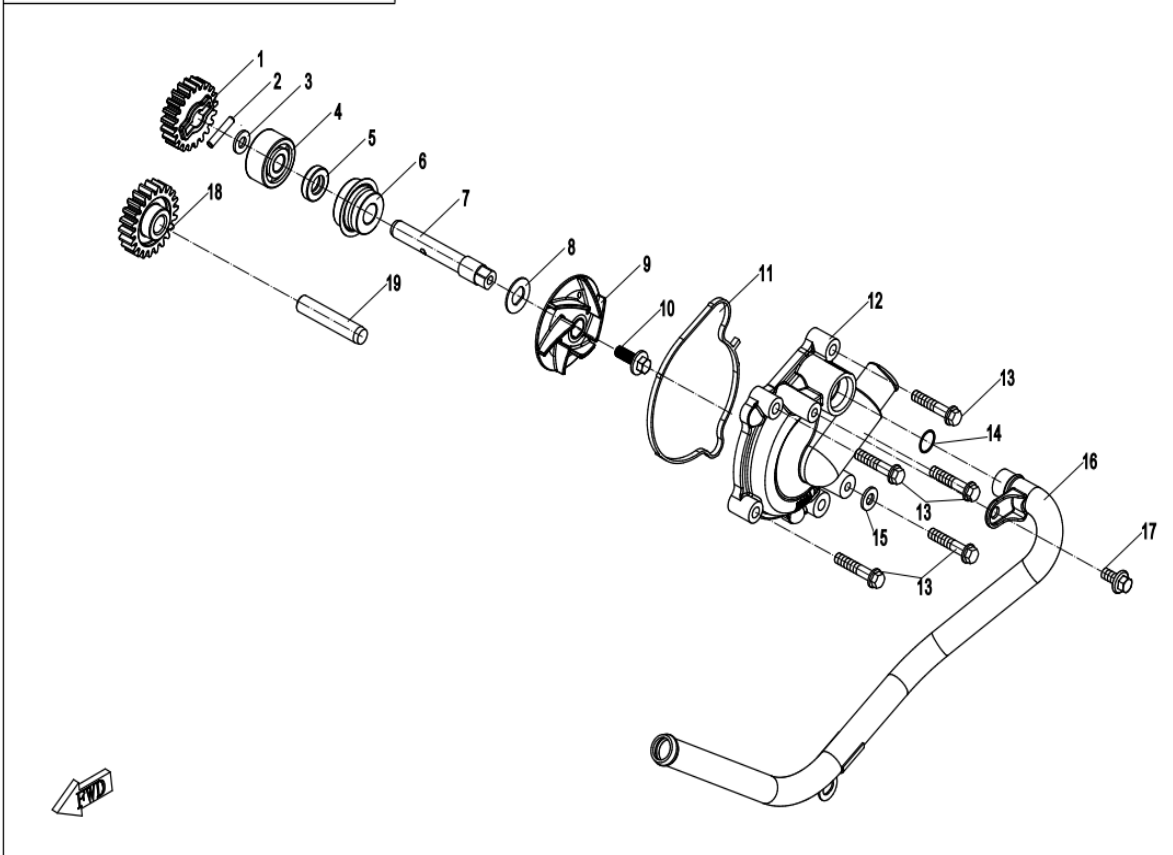
油冷器组/OIL COOLING SYSTEM



E07-2-V4 OIL COOLING SYSTEM

Item No.	Parts Number	Parts Name(EN)	Qty	Specification
01	OJWA-071300	OIL COOLER	1	
02	0180-011007-0010	BOLT M14x1.5x32	2	M14x1.5x32
03	0180-011006	GASKET 14	4	14
04	OJWA-071001	BASE SEAT, OIL COOLER	1	
05	OJYA-071100	OIL INLET PIPE, OIL COOLER	1	
06	OJYA-071200	OIL OUTLET PIPE, OIL COOLER	1	
07	OJYA-071001-00001	WATER OUTLET PIPE 1, OIL COOLER	1	
08	30603-125020	CLAMP D25	4	D25
09	OJYA-071401	WATER OUTLET BIPASS	1	
10	OJYA-071008-20000	WATER OUTLET PIPE 2, OIL COLLER	1	
11	OJYA-071007	CLIP, WATER PIPE	1	
12	0010-023008-0010	BOLT M6x18	4	M6x18
12	0010-023008-00001	BOLT	4	
13	OJWA-071002-10000	WATER INLET HOSE, OIL COOLER	1	
14	30502-017000F	O-RING 17x2.5	2	17x2.5
15	30006-103020810	BOLT M10x20	2	M10x20
16	OJYA-023001-00001	HEX FLANGE BOLT M6x6	1	
17	0700-011202		1	8.2x1.90
18	OJYA-07100Z-30002	OIL COLLER SUB ASSY	1	
19	C3H0-073002	CLAMP D25.6	2	

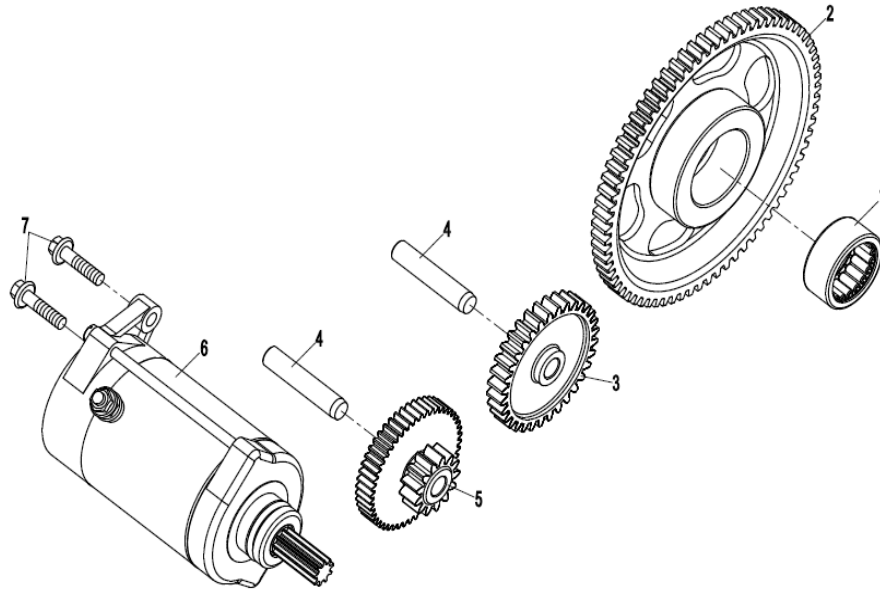
E08 水泵组/WATER PUMP ASSY



E08 WATER PUMP ASSY.

Item No.	Parts Number	Parts Name(EN)	Qty	Specification
01	OJWA-080002		1	
02	30406-00404	ROLLER NEEDLE	1	
03	0800-011005	WASHER 10	1	10
04	30408-01000	BEARING	1	10
05	0110-080005		1	10x20x5
06	OJWA-081000	WATER SEAL ASSY	1	
07	OJWA-080008	WATER PUMP SHAFT	1	
08	OJWA-080005		1	
09	OJWA-080003	IMPELLER, WATER PUMP	1	
10	OJWA-080007	M6x17	1	M6x17
11	OJWA-080004	SEAL RING, WATER PUMP COVER	1	
12	OJWA-080006-10000		1	
13	0010-060012-0010	BOLT M6x30	5	M6x30
14	01A0-013005		1	13x2
15	0010-060009		1	6
16	OJWA-082000	OUTLET PIPE ASSY., WATER PUMP	1	
17	0010-021019-0010	BOLT M6x12	1	M6x12
18	OJWA-080001		1	
19	0800-011202	SHAFT, BREATHER	1	

起系统 STARTING SYSTEM

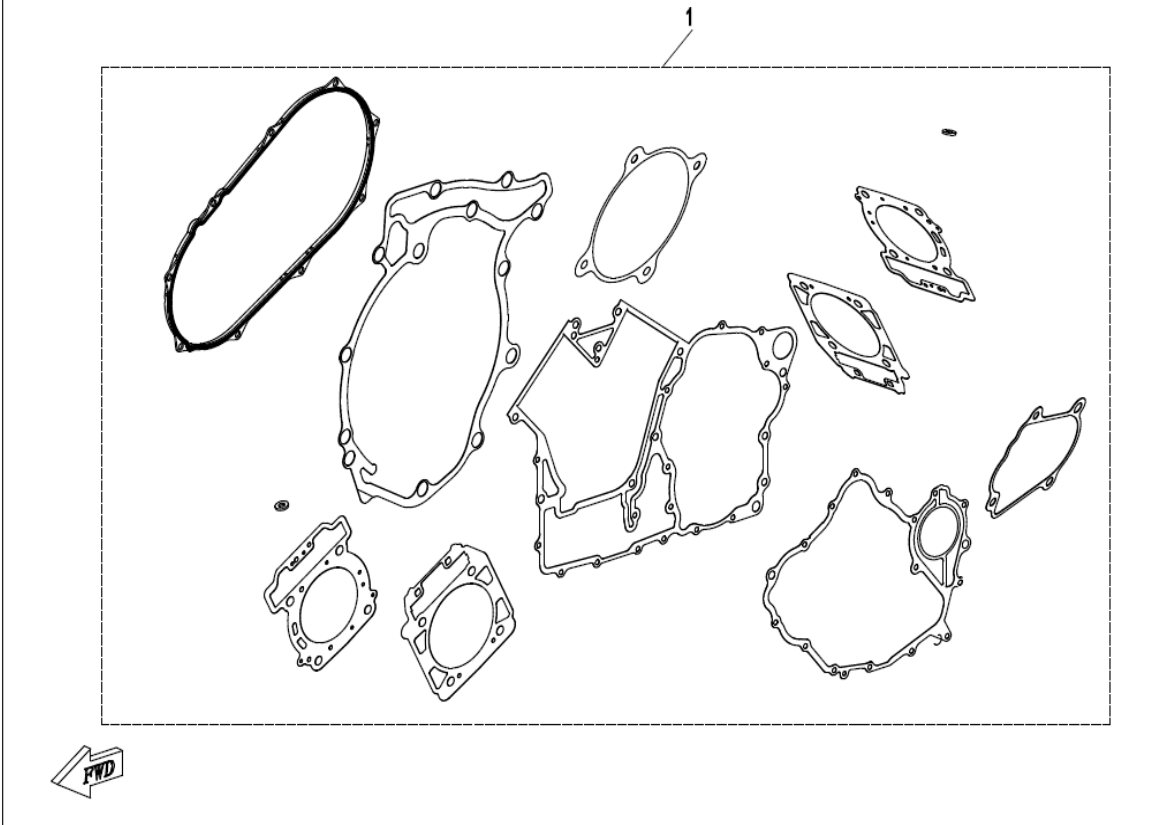


### E09 STARTING SYSTEM

Item No.	Parts Number	Parts Name(EN)	Qty	Specification
01	30401-03000	NEEDLE BEARING	1	30
02	0800-090001-0001	DRIVEN GEAR	1	
02	0800-090001-00002	DRIVEN GEAR	1	
03	0800-090002	MIDDLE GEAR	1	
04	0800-011202	SHAFT, BREATHER	2	
05	0800-090003	DUAL GEAR	1	
06	0800-091000	STARTING MOTOR	1	
07	0010-080013-0010	BOLT M6x22	2	M6x22



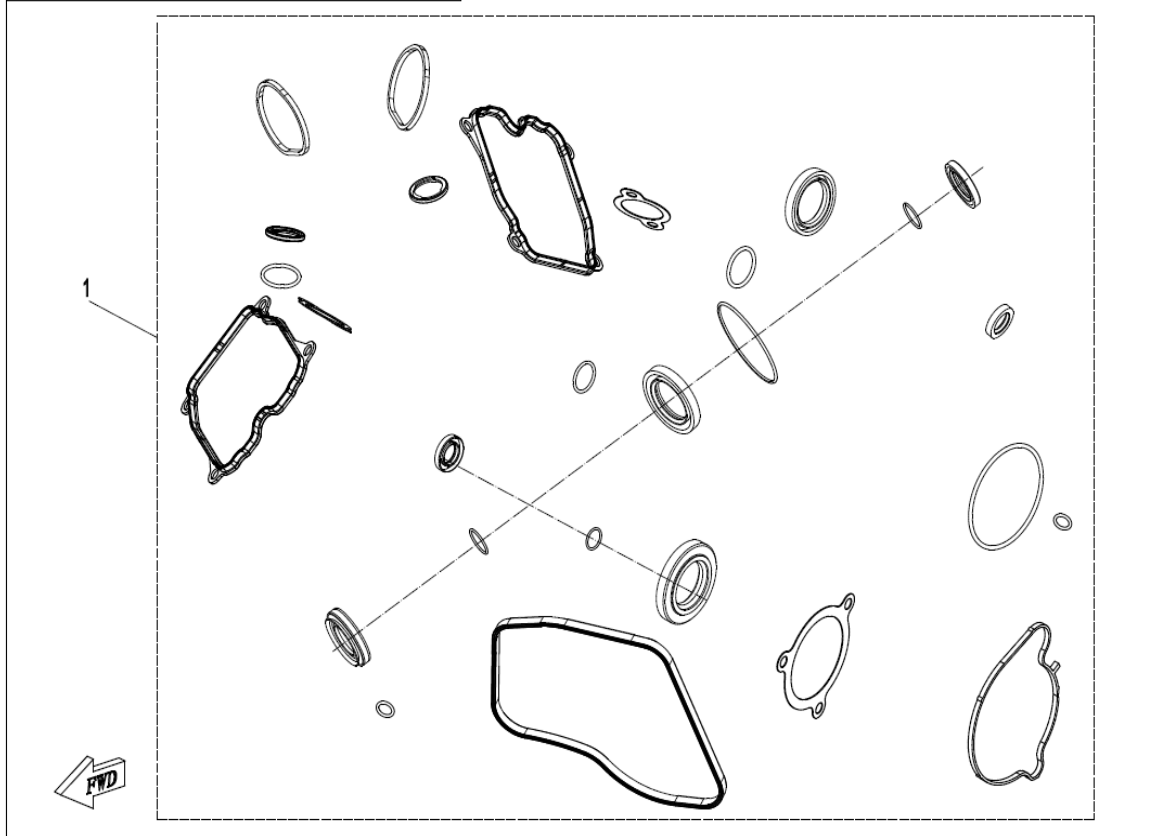
E29 发动机垫片系列ENGINE GASKET SET



E29 ENGINE GASKET SET

Item No.	Parts Number	Parts Name(EN)	Qty	Specification
01	OJYA-0000A0-00002	ENGINE WASHER KIT	1	

E30 发动机油封及O型圈系列 ENGINE OIL SEAL & O-RING SET



E30 ENGINE OIL SEAL & O-RING SET

Item No.	Parts Number	Parts Name(EN)	Qty	Specification
01	OJYA-0000A1	ENGINE OIL SEAL & O-RING SET	1	