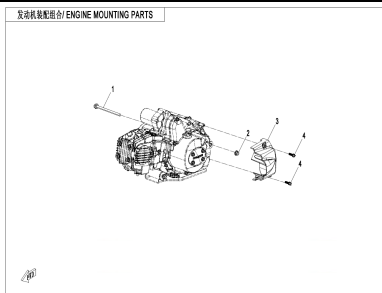
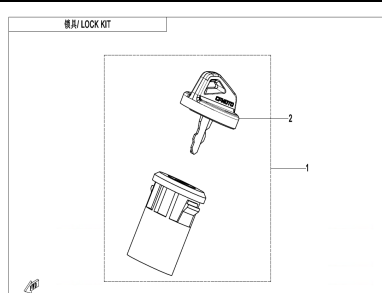
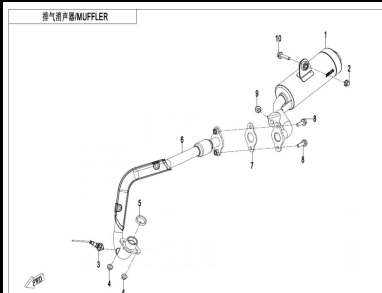
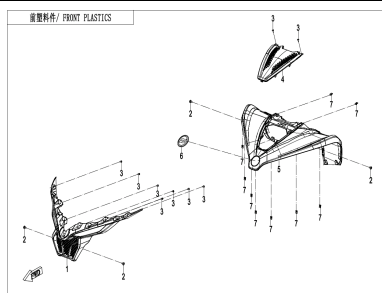
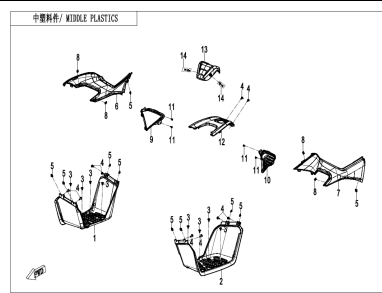
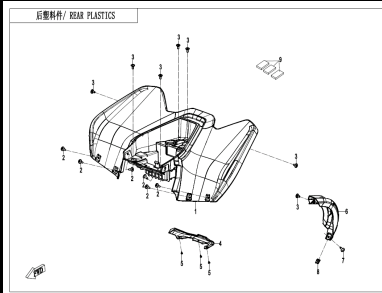
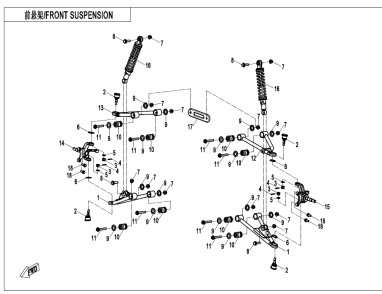
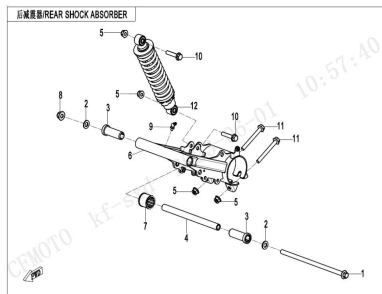
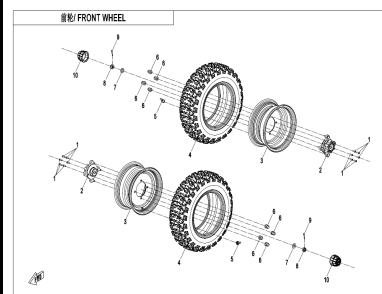
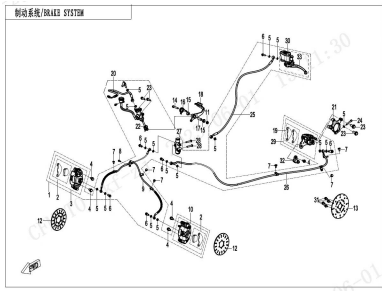
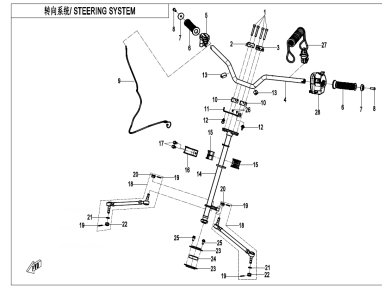
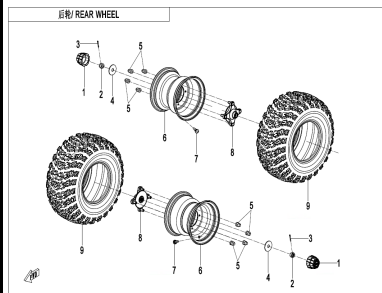
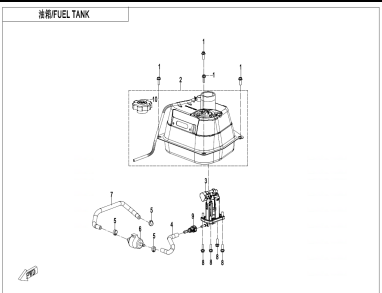
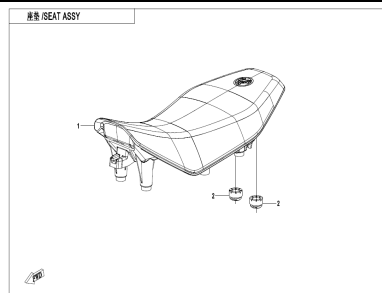
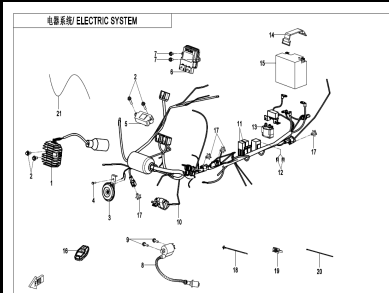
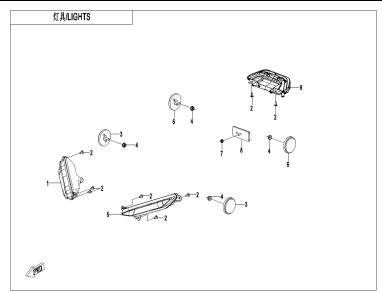
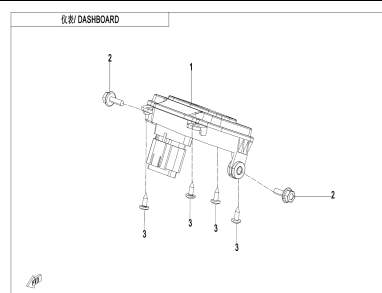
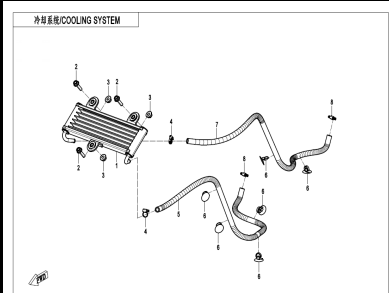
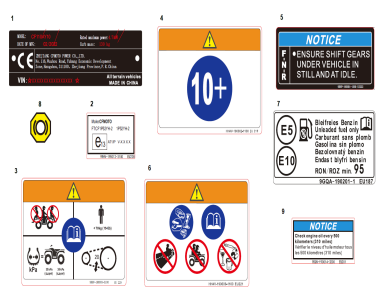
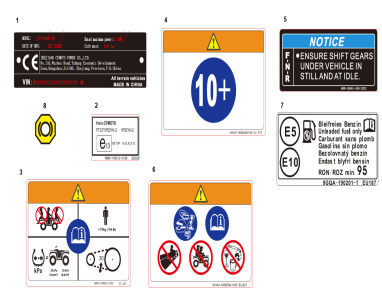


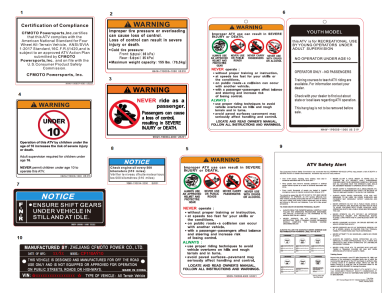
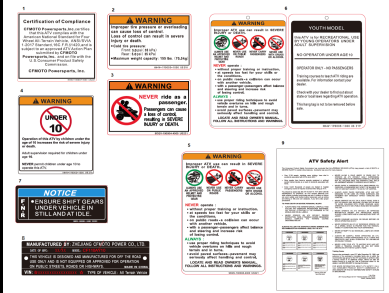


# CONTENTS—FRAME GROUP

<p><b>F00</b></p> <p style="text-align: center;"><b>ENGINE MOUNTING PARTS</b></p> <p style="font-size: small;">发动机机架组/ENGINE MOUNTING PARTS</p> 	<p><b>E01</b></p> <p style="text-align: center;"><b>LOCK KIT</b></p> <p style="font-size: small;">锁匙/LOCK KIT</p> 	<p><b>F02</b></p> <p style="text-align: center;"><b>MUFFLER</b></p> <p style="font-size: small;">排气消声器/MUFFLER</p> 
<p><b>F04-1</b></p> <p style="text-align: center;"><b>FRONT PLASTICS</b></p> <p style="font-size: small;">前塑料件/FRONT PLASTICS</p> 	<p><b>F04-2</b></p> <p style="text-align: center;"><b>MIDDLE PLASTICS</b></p> <p style="font-size: small;">中塑料件/MIDDLE PLASTICS</p> 	<p><b>F04-3</b></p> <p style="text-align: center;"><b>REAR PLASTICS</b></p> <p style="font-size: small;">后塑料件/REAR PLASTICS</p> 
<p><b>F05</b></p> <p style="text-align: center;"><b>FRONT SUSPENSION</b></p> <p style="font-size: small;">前悬架/FRONT SUSPENSION</p> 	<p><b>F06</b></p> <p style="text-align: center;"><b>REAR SUSPENSION</b></p> <p style="font-size: small;">后减震器/REAR SHOCK ABSORBER</p> 	<p><b>F07</b></p> <p style="text-align: center;"><b>FRONT WHEEL</b></p> <p style="font-size: small;">前轮/FRONT WHEEL</p> 
<p><b>F08</b></p> <p style="text-align: center;"><b>BRAKE SYSTEM</b></p> <p style="font-size: small;">制动系统/BRAKE SYSTEM</p> 	<p><b>F10</b></p> <p style="text-align: center;"><b>STEERING SYSTEM</b></p> <p style="font-size: small;">转向系统/STEERING SYSTEM</p> 	<p><b>F11</b></p> <p style="text-align: center;"><b>REAR WHEEL</b></p> <p style="font-size: small;">后轮/REAR WHEEL</p> 

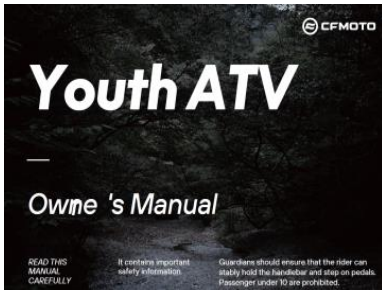

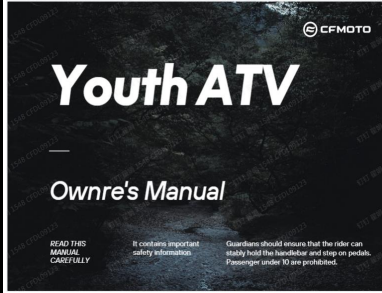
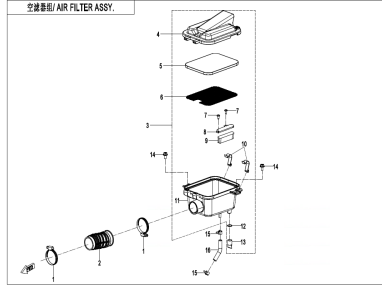
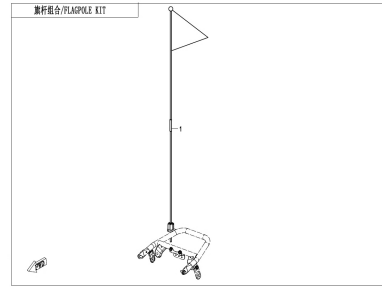
# CONTENTS—FRAME GROUP

<p><b>F12</b></p> <p style="text-align: center;"><b>FUEL TANK</b></p> 	<p><b>F13</b></p> <p style="text-align: center;"><b>SEAT SYSTEM</b></p> 	<p><b>F15-1</b></p> <p style="text-align: center;"><b>ELECTRIC SYSTEM</b></p> 
<p><b>F16</b></p> <p style="text-align: center;"><b>LIGHTS</b></p> 	<p><b>F17</b></p> <p style="text-align: center;"><b>DASHBOARD</b></p> 	<p><b>F18</b></p> <p style="text-align: center;"><b>COOLING SYSTEM</b></p> 
<p><b>F19-1-A-V1</b></p> <p style="text-align: center;"><b>WARNING DECAL (CE)</b></p> 	<p><b>F19-1-A-V2</b></p> <p style="text-align: center;"><b>WARNING DECAL (CE)</b></p> 	<p><b>F19-1-B-V1</b></p> <p style="text-align: center;"><b>WARNING DECAL (INTERNATIONAL)</b></p> 
<p><b>F19-1-B-V2</b></p> <p style="text-align: center;"><b>WARNING DECAL (INTERNATIONAL)</b></p> 	<p><b>F19-1-C-V1</b></p> <p style="text-align: center;"><b>WARNING DECAL (EPA49)</b></p> 	<p><b>F19-1-C-V2</b></p> <p style="text-align: center;"><b>WARNING DECAL (EPA49)</b></p> 

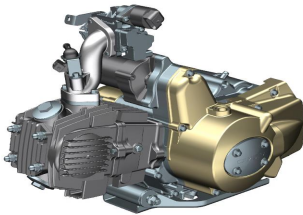
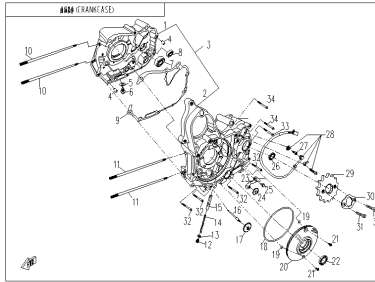
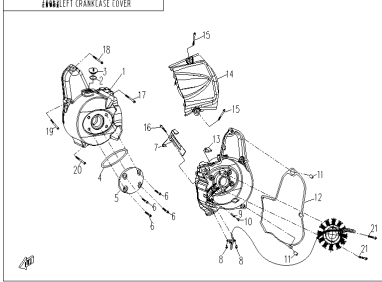
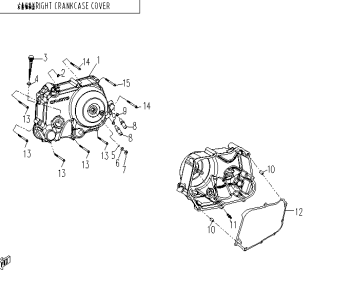
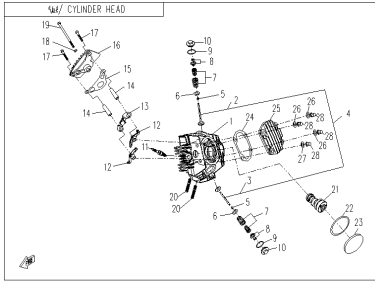
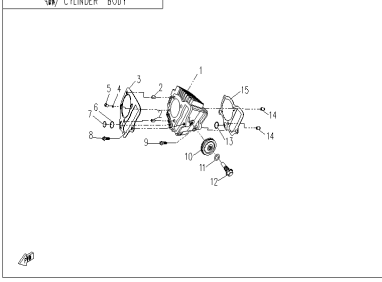
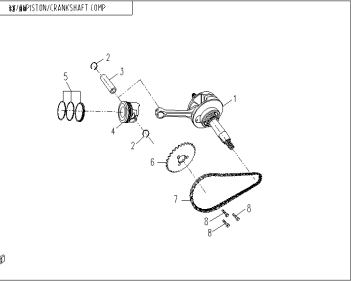
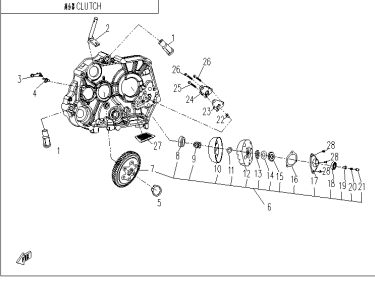
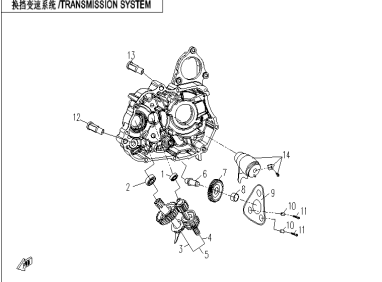
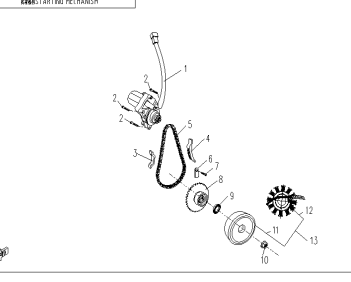
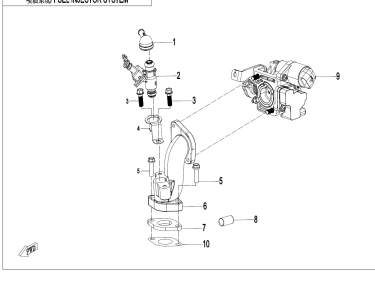
# CONTENTS—FRAME GROUP

<p><b>F19-1-D-V1</b></p> <p>WARNING DECAL (CA)</p>	<p><b>F19-1-D-V2</b></p> <p>WARNING DECAL(CA)</p>	<p><b>F19-1-E-V1</b></p> <p>WARNING DECAL(AU)</p>
<p><b>F19-1-E-V2</b></p> <p>WARNING DECAL (AU)</p>	<p><b>F19-1-F-V2</b></p> <p>WARNING DECAL(BRAZIL)</p>	<p><b>F19-2-A</b></p> <p>DECAL KITS (ROCKET RED)</p>
<p><b>F19-2-B</b></p> <p>DECAL KITS (BAJA BLUE)</p>	<p><b>F20</b></p> <p>TOOLS</p>	<p><b>F23-A</b></p> <p>BUMPER</p>
<p><b>F23-B</b></p> <p>BUMPER (WITH FRONT REFLECTOR)</p>	<p><b>F32</b></p> <p>GEAR SHIFTING</p>	<p><b>F33</b></p> <p>REAR AXLE</p>

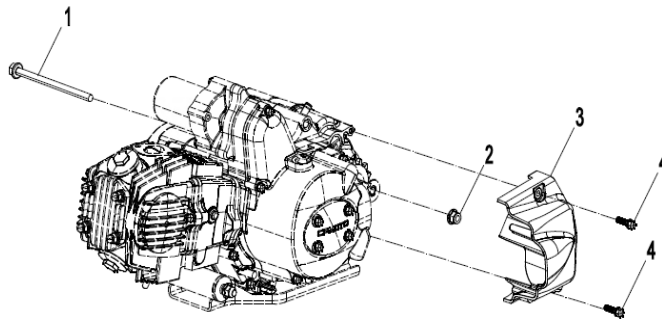
## CONTENTS—FRAME GROUP

F38-B OWNER'S MANUAL (INTERNATIONAL)	F38-C OWNER'S MANUAL (CE)	F38-D OWNER'S MANUAL (NA)
		
<b>F41</b> <b>AIR FILTER</b>	<b>F80</b> <b>FLAGPOLE KIT</b>	
		

# CONTENTS—ENGINE GROUP

<b>E00</b> <p style="text-align: center;"><b>1P52YH-2 ENGINE</b></p> 	<b>E01-1</b> <p style="text-align: center;"><b>CRANKCASE</b></p> 	<b>E01-2</b> <p style="text-align: center;"><b>LEFT CRANKCASE COVER</b></p> 
<b>E01-3</b> <p style="text-align: center;"><b>RIGHT CRANKCASE COVER</b></p> 	<b>E02-1</b> <p style="text-align: center;"><b>CYLINDER HEAD</b></p> 	<b>E02-2</b> <p style="text-align: center;"><b>CYLINDER BODY</b></p> 
<b>E04</b> <p style="text-align: center;"><b>PISTON &amp; CRANKSHAFT COMP</b></p> 	<b>E05</b> <p style="text-align: center;"><b>CLUTCH</b></p> 	<b>E06</b> <p style="text-align: center;"><b>RANSMISSION SYSTEM</b></p> 
<b>E09</b> <p style="text-align: center;"><b>STARTING MECHANISM</b></p> 	<b>E17</b> <p style="text-align: center;"><b>FUEL INJECTION SYSTEM</b></p> 	

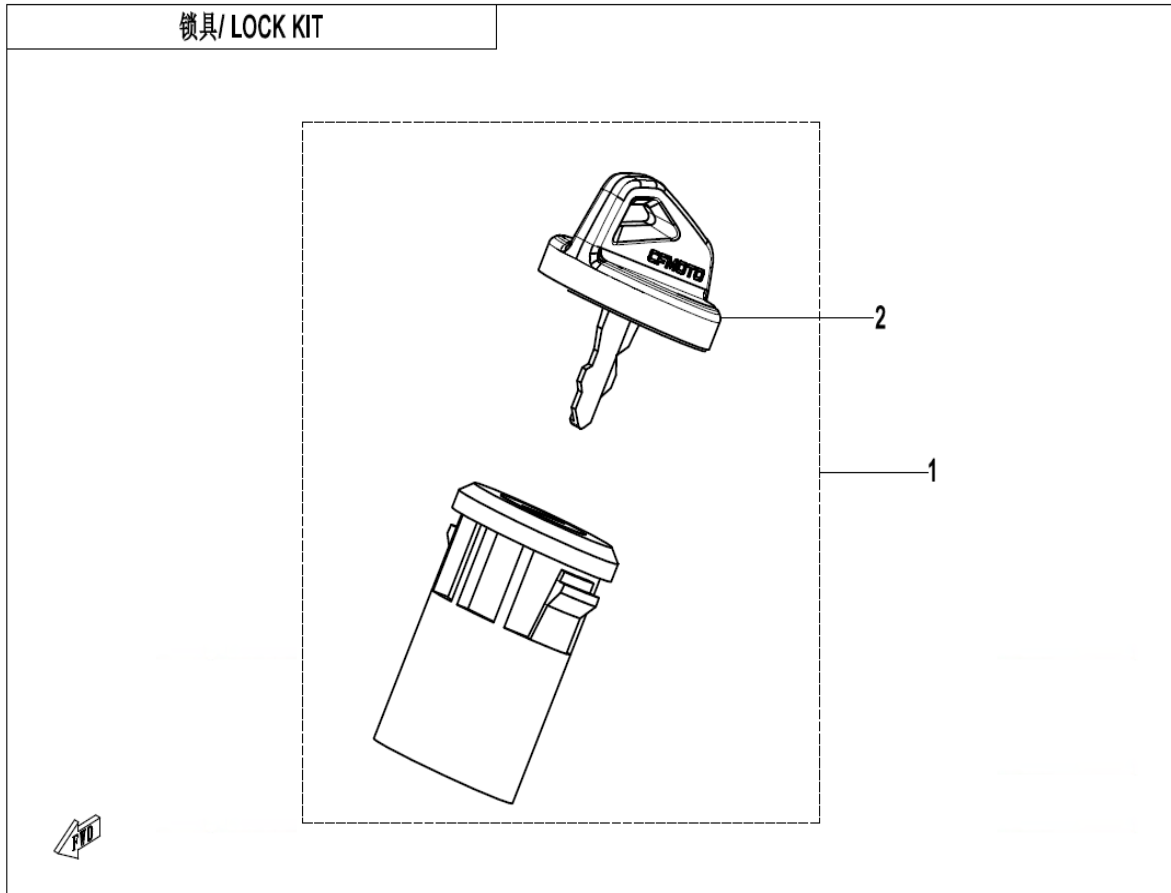
发动机装配组合/ ENGINE MOUNTING PARTS



### F00 ENGINE MOUNTING PARTS

Item No.	Parts Number	Parts Name(EN)	Qty	Specification
1	9RHV-030022-1000	FLANGE BOLT M8×125	1	
2	30204-080810	NUT M8	1	M8
3	0UHV-000101-1000	GUARD, SMALL SPROCKET	1	
4	30006-060016810	BOLT M6x16	2	M6x16

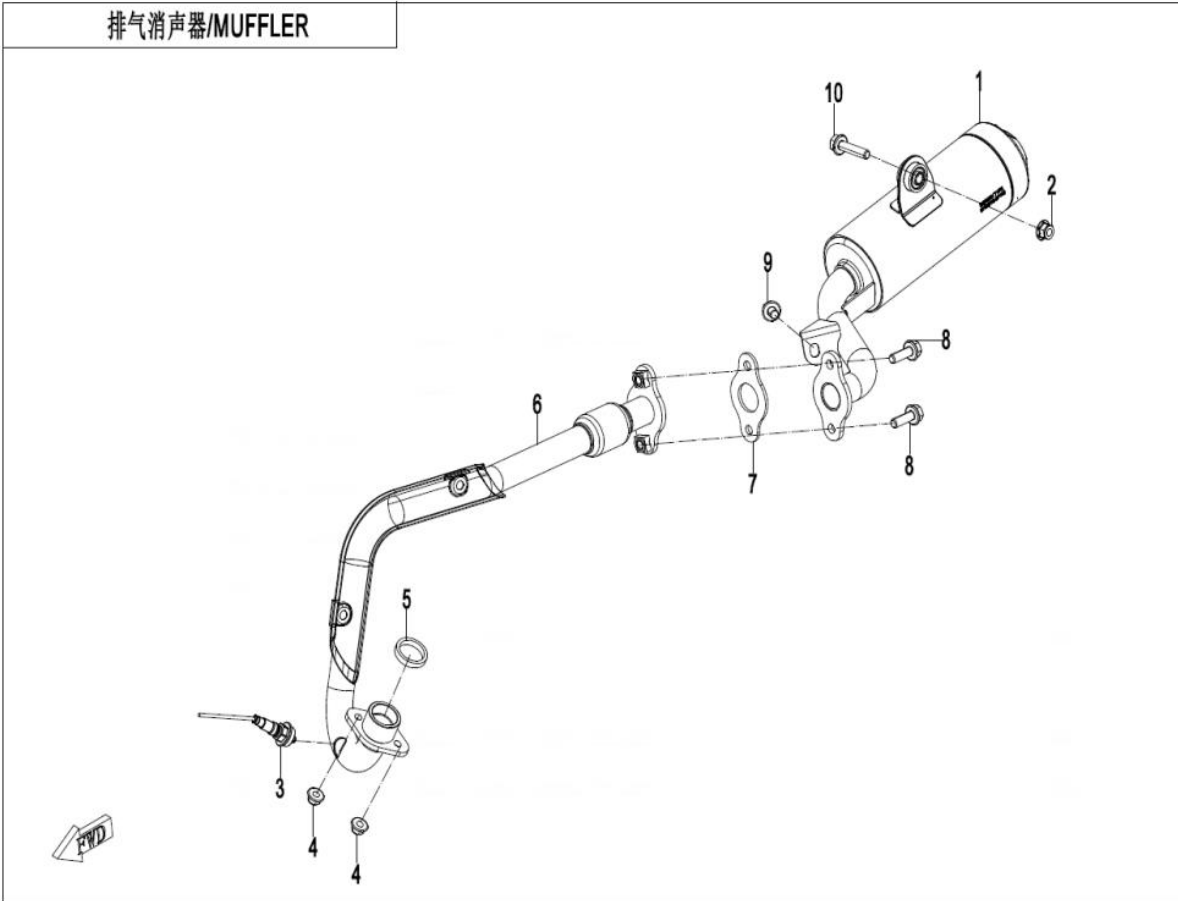
锁具/ LOCK KIT



F01 LOCK KIT

Item No.	Parts Number	Parts Name(EN)	Qty	Specification
01	9RHV-169210-1000	IGNITION SWITCH	1	
01	9RHV-169210-1001	IGNITION SWITCH ASSY	1	
02	9RHV-169210-1000-20	KEY ASSY	1	

排气消声器/MUFFLER

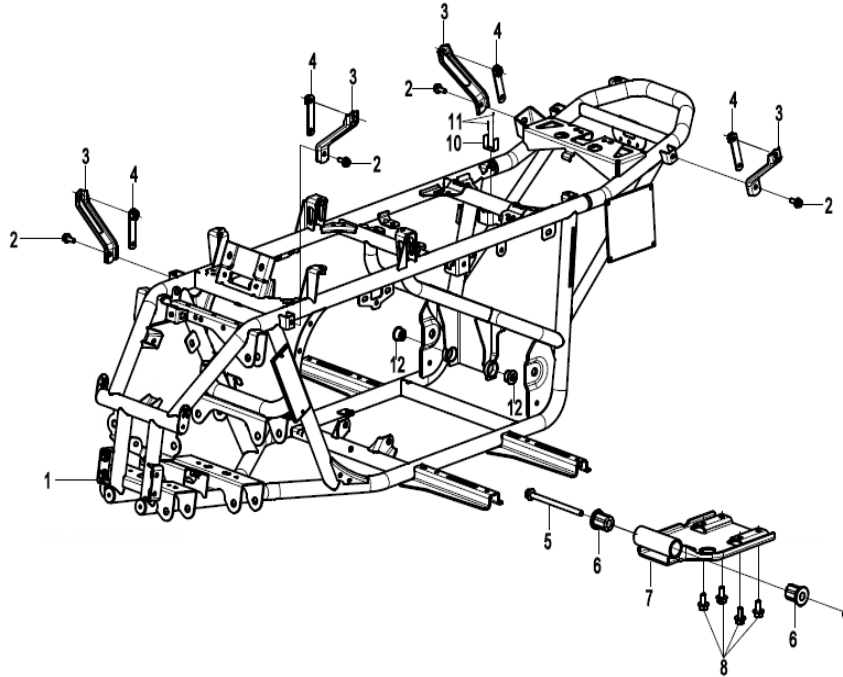


## F02 MUFFLER

Item No.	Parts Number	Parts Name(EN)	Qty	Specification
01	9RHV-021000-1000	MUFFLER	1	
02	30204-080810	NUT M8	1	M8
03	0UHV-176000-2000	OXYGEN SENSOR	1	
04	30202-060110	NUT M6	2	M6
05	9RHV-021140-1000	GASKET, EXHAUST PIPE	1	
06	9RHV-021100-3000	EXHAUST PIPE	1	EPA
06	9RHV-021100-1000	EXHAUST PIPE	1	
06	9RHV-021100-3100	EXHAUST PIPE	1	CE
07	9RHV-021002-1000	GASKET, MUFFLER	1	
08	30006-080020810	BOLT M8x20	2	M8x20
09	30006-080012810	BOLT M8x12	1	M8x12
10	30006-080035810	BOLT M8x35	1	M8x35



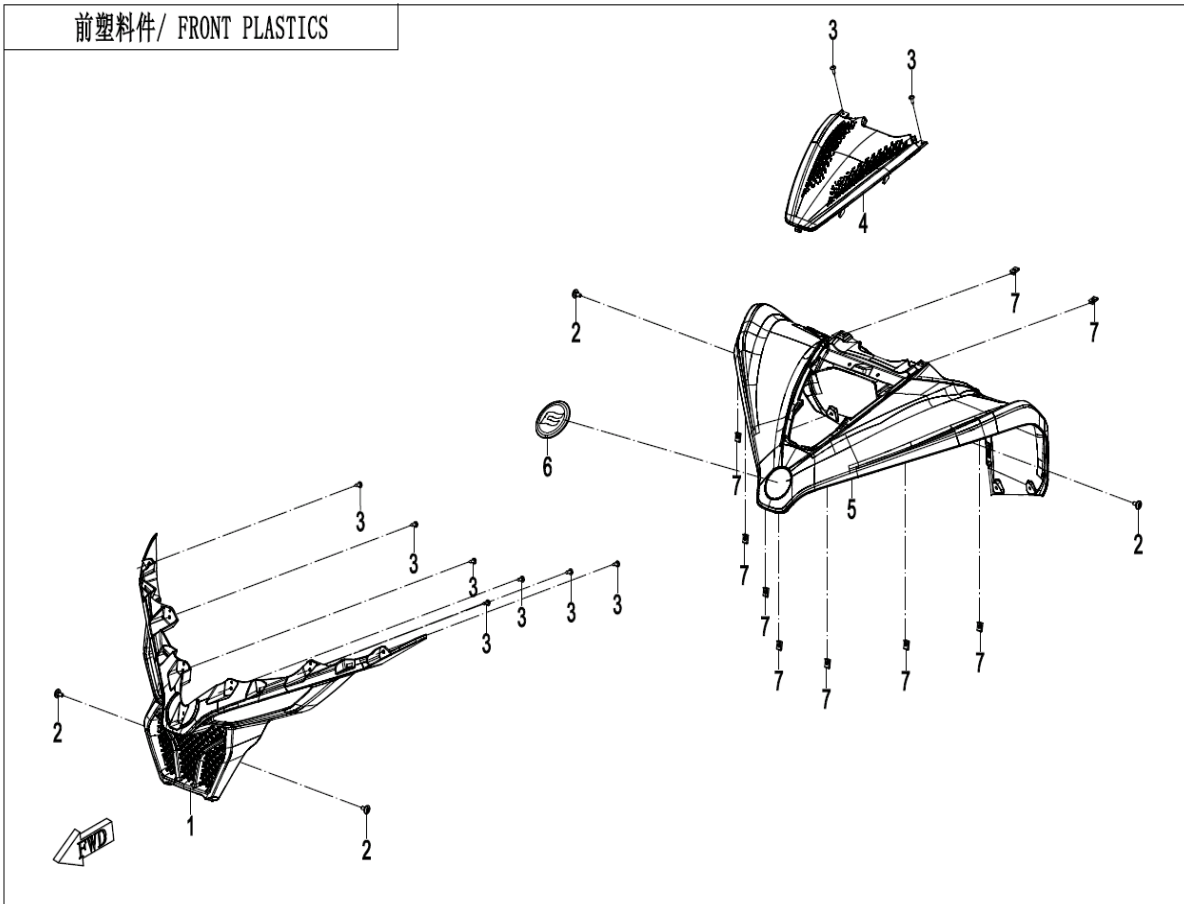
FRAME/车架



## F03 FRAME

Item No.	Parts Number	Parts Name(EN)	Qty	Specification
1	9RHV-031000-3100-01	FRAME	1	
2	30006-060012810	BOLT M6x12	4	M6x12
3	9RHV-030010-1000	FENDER BRACKET	4	
4	9RHV-030001-1000	BRACKET, REFLECTOR	4	
5	0700-011002-00001	BOLT M8x120	1	M8x120
6	9RHV-030003-1000	DAMPER SLEEVE I	2	
7	9RHV-030070-1000	ENGINE BRACKET	1	
8	30006-080020810	BOLT M8x20	4	M8x20
9	30204-080810	NUT M8	1	M8
10	9RHV-030407-1000	STARTER RELAY BRACKET	1	
11	30902-0401320	BLIND RIVET	2	4x13
12	9RHV-030004-1000	DAMPER SLEEVE II	2	

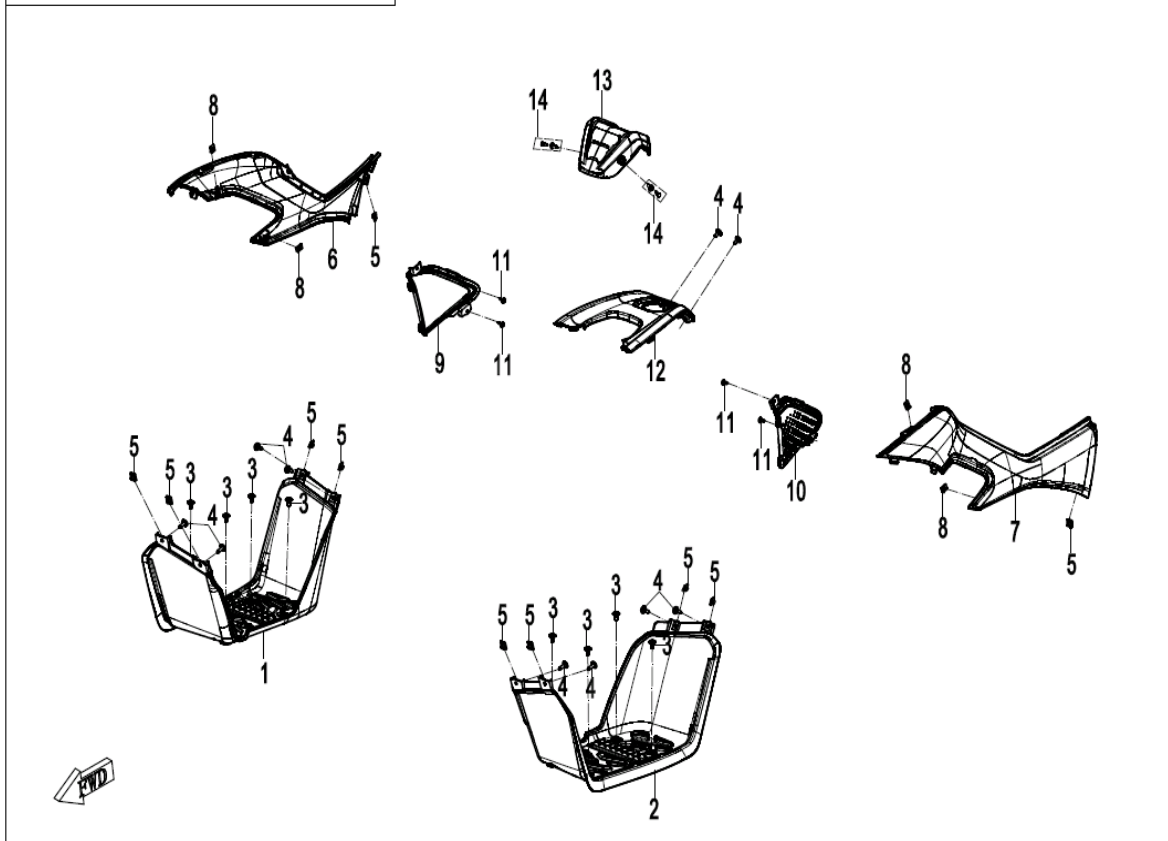
前塑料件/ FRONT PLASTICS



### F04-1 FRONT PLASTICS

Item No.	Parts Number	Parts Name(EN)	Qty	Specification
01	9RHV-041023-1000	HEADLIGHT PANEL	1	
02	5BWV-040001-5000	INNER HEX BOLT M6x14	4	M6x14
03	30110-420130010	SCREW	9	ST4.2x13
04	9RHV-042011-1000	FRONT GUARD, FUEL TANK	1	
05	9RHV-041021-1000-0PC00	FRONT FENDER	1	BAJA BLUE
05	9RHV-041021-1000-0PF00	FRONT FENDER	1	ROCKET RED
06	HH4V-190001-1000	CFMOTO STICKER	1	
07	8010-000002	TOOL	9	ST4.2

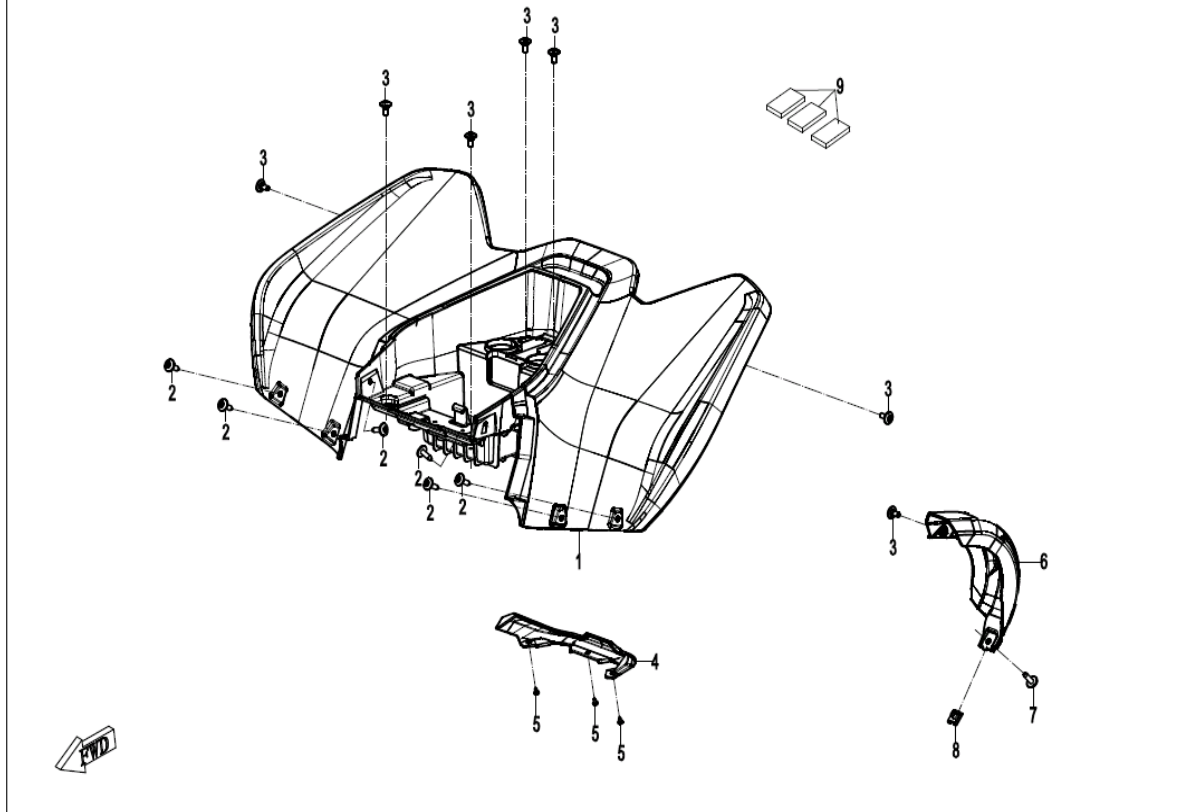
中塑料件/ MIDDLE PLASTICS



### F04-2 MIDDLE PLASTICS

Item No.	Parts Number	Parts Name(EN)	Qty	Specification
01	9RHV-042032-1000	LH FOOT PEDAL	1	
02	9RHV-042031-1000	RH FOOT PEDAL	1	
03	5BWV-040001-5000	INNER HEX BOLT M6x14	8	M6x14
04	5BWV-040008-5000	INNER HEX BOLT M6x20	10	M6x20
05	8030-040800-00001	NUT CLIP M6	10	M6
06	9RHV-042024-1000-0PC00	DECO PLATE, RH SIDE COVER	1	BAJA BLUE
06	9RHV-042024-1000-0PF00	DECO PLATE, RH SIDE COVER	1	ROCKET RED
07	9RHV-042023-1000-0PC00	DECO PLATE, LH SIDE COVER	1	BAJA BLUE
07	9RHV-042023-1000-0PF00	DECO PLATE, LH SIDE COVER	1	ROCKET RED
08	8010-000002	TOOL	4	ST4.2
09	9RHV-042022-1000	RH SIDE COVER	1	
10	9RHV-042021-1000	LH SIDE COVER	1	
11	30110-420130010	SCREW	4	ST4.2x13
12	9RHV-042012-1000	REAR GUARD, FUEL TANK	1	
13	9RHV-041031-1000	DASHBOARD GUARD	1	
14	9060-040310	PLASTIC CLIPS	2	

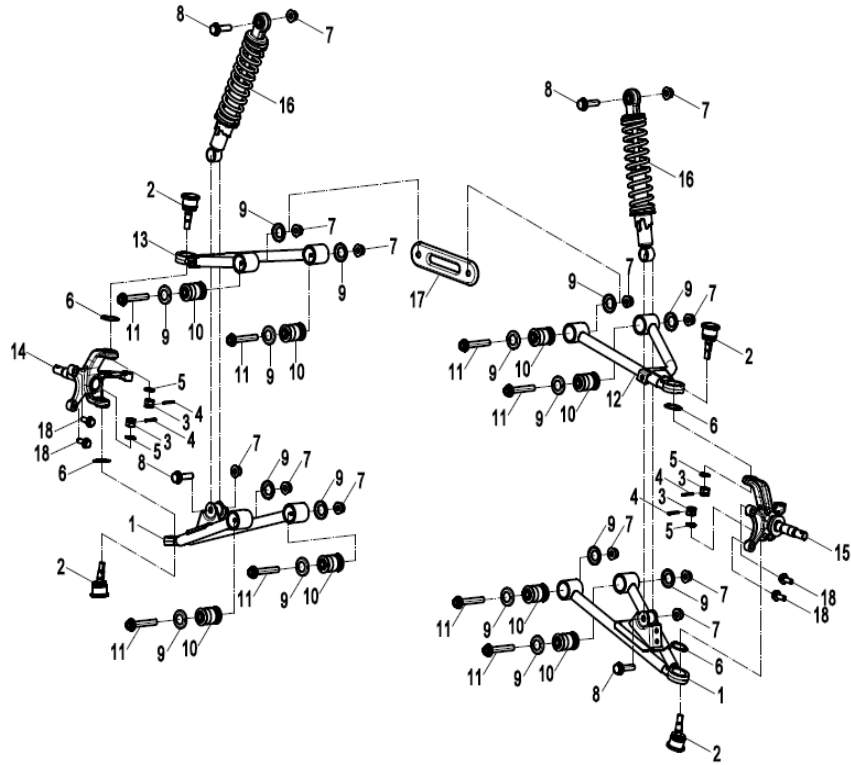
后塑料件/ REAR PLASTICS



### F04-3 REAR PLASTICS

Item No.	Parts Number	Parts Name(EN)	Qty	Specification
01	9RHV-043011-1000-0PC00	REAR FENDER	1	BAJA BLUE
01	9RHV-043011-1000-0PF00	REAR FENDER	1	ROCKET RED
02	5BWV-040008-5000	INNER HEX BOLT M6x20	6	M6x20
03	5BWV-040001-5000	INNER HEX BOLT M6x14	7	M6x14
04	9RHV-043021-1000	TAIL LIGHT PANEL	1	
05	30110-480160010	SCREW	3	ST4.8x16
06	9RHV-044013-1000	GUARD, BIG SPROCKET	1	
07	30006-060016810	BOLT M6x16	1	M6x16
08	8030-040800-00001	NUT CLIP M6	1	M6
09	9010-120008	FUEL TANK SPONGE	3	

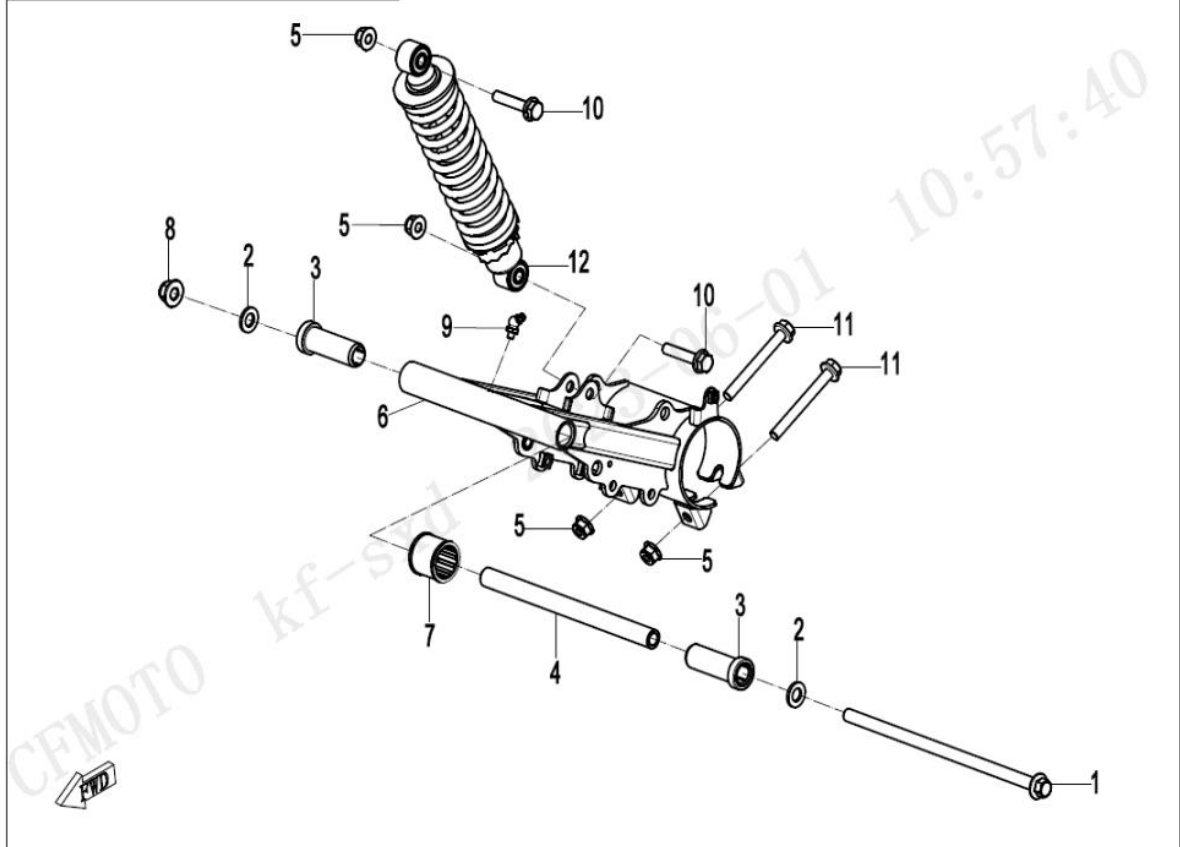
前悬架/FRONT SUSPENSION



F05 FRONT SUSPENSION

Item No.	Parts Number	Parts Name(EN)	Qty	Specification
01	9RHV-050210-1000	FRONT LOWER SWING ARM	2	
02	9RHV-050010-1000-20	BALL PIN ASSY	4	
03	9RHV-050010-1000-21	SLOTTED NUT	4	
04	9RHV-050010-1000-22	COTTER PIN	4	
05	9RHV-050010-1000-23	WASHER	4	
06	9RHV-050010-1000-25	29 CLASP FOR SHAFT	4	
07	30204-102810	NUT M10x1.25	12	M10x1.25
08	30006-102040810	BOLT M10x1.25x40	4	M10x1.25x40
09	9010-050003	CAP, CUSHION SLEEVE	16	
10	9010-050500	CUSHION SLEEVE	8	
11	30006-102070810	BOLT M10x1.25x70	8	M10x1.25x70
12	9RHV-050110-1000	FRONT LH UPPER SWING ARM	1	
13	9RHV-050310-1000	FRONT RH UPPER SWING ARM	1	
14	9RHV-050801-1000	RH STEERING KNUCKLE	1	
15	9RHV-050701-1000	LH STEERING KNUCKLE	1	
16	9RHV-050500-1000-M1	FRONT SHOCK ABSORBER	2	
17	HH4V-030001-1000	BRACKET, FRONT SWING ARM	1	
18	30006-080020810	BOLT M8x20	4	M8x20

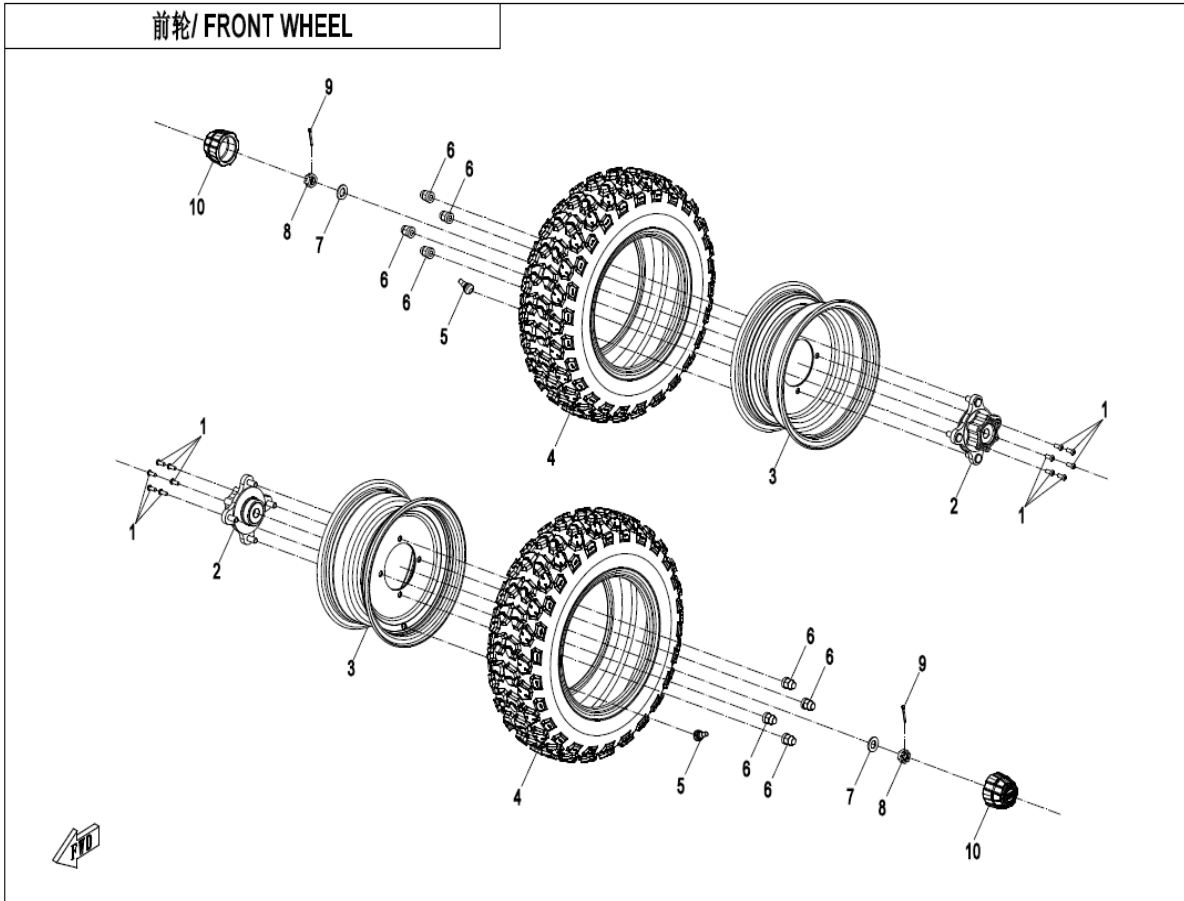
后减震器/REAR SHOCK ABSORBER



F06 REAR SUSPENSION

Item No.	Parts Number	Parts Name(EN)	Qty	Specification
01	5BY0-050203	MOUNTING SHAFT, FRONT LOWER SWING ARM	1	
02	30306-120112	WASHER	2	12
03	5BY0-050102	DAMPING SLEEVE, FRONT UPPER SWING ARM	2	
04	5BY0-050201	MIDDLE SPACER, FRONT LOWER SWING ARM	1	
05	30204-102810	NUT M10x1.25	4	M10x1.25
06	9RHV-060100-1000	REAR SWING ARM	1	
07	9RHV-060202-1000	PROTECTOR, SHAFT BUSHING	1	
08	30204-122810	NUT M12x1.25	1	M12x1.25
09	3120100	OIL CUP	1	
10	30006-102045810	BOLT M10x1.25x45	2	M10x1.25x45
11	30006-102090810	BOLT M10x1.25x90	2	M10x1.25x90
12	9RHV-060600-1000-M1	REAR SHOCK ABSORBER	1	

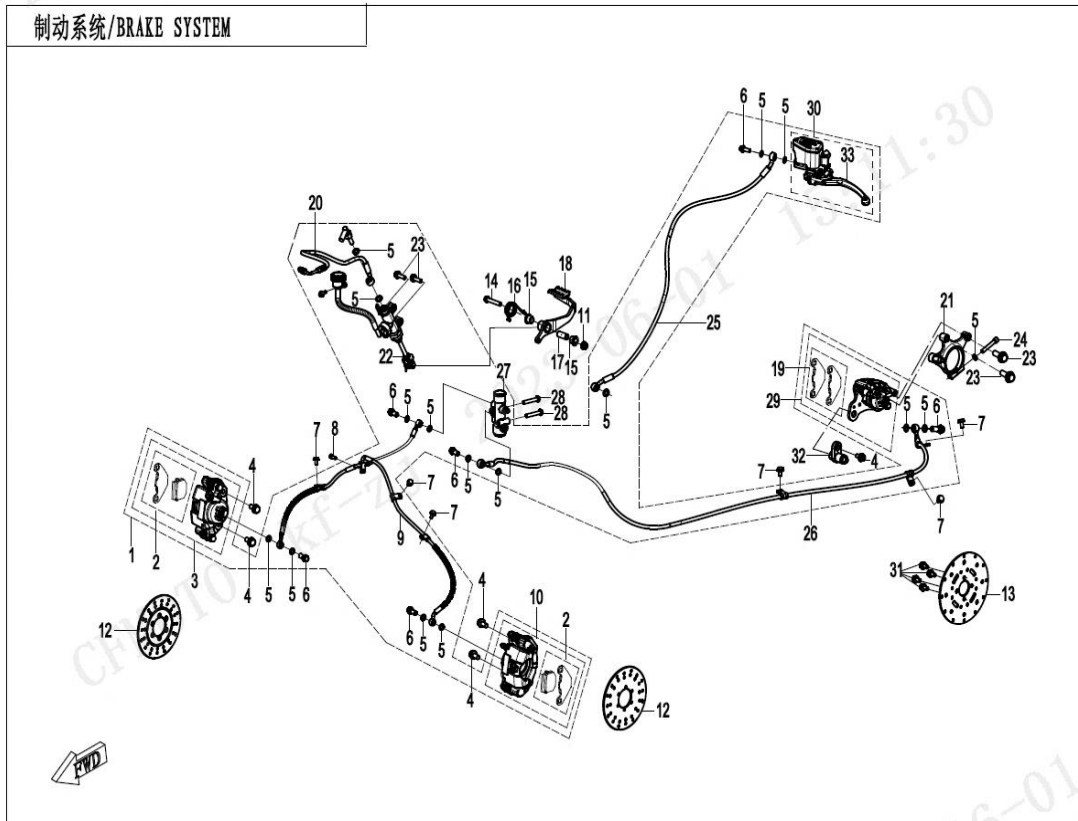
前轮/ FRONT WHEEL



### F07 FRONT WHEEL

Item No.	Parts Number	Parts Name(EN)	Qty	Specification
01	6NQ#-000206-6000	INNER HEX SCREW M6x16	12	M6x16
02	9RHV-070010-1000	FRONT WHEEL BRACKET	2	
03	9RHV-070100-1000-M1-0BM00	FRONT RIM ASSY	2	NEBULA BLACK
04	30706-1001	TIRE	2	FRONT
05	5190-070030-1000	VALVE, INFLATION	2	
06	9RHV-070110-1000	NUT M10x1.25	8	
07	30306-140112	WASHER	2	14
08	9RHV-030023-1000	SLOTTED NUT M14x1.5	2	
09	30903-0322210	COTTER PIN	2	3.2x22
10	9RHV-110003-1000	DECO COVER, RIM	2	

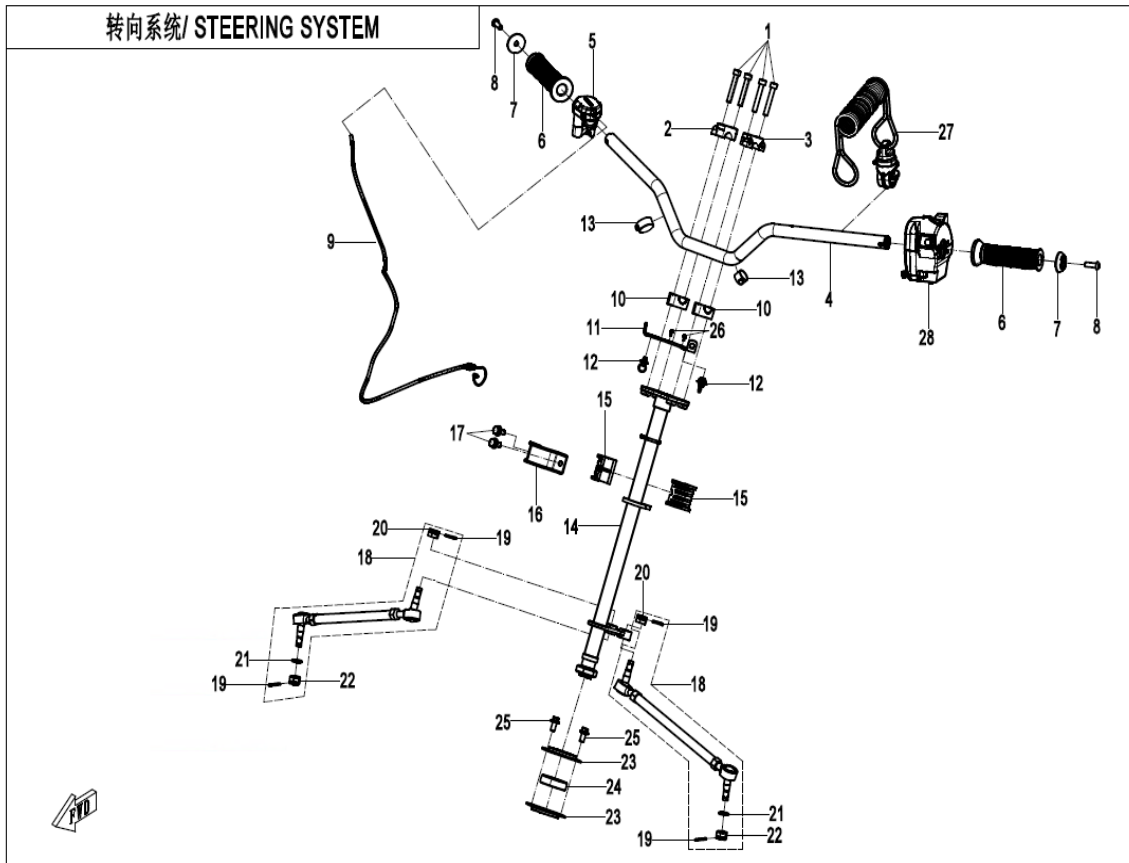
制动系统/BRAKE SYSTEM



### F08 BRAKE SYSTEM

Item No.	Parts Number	Parts Name(EN)	Qty	Specification
1	9RHV-081000-1000-M1	HYDRAULIC BRAKE ASSY	1	
2	9RHV-0813A0	FRONT BRAKE PAD ASSY	2	
3	9RHV-081500-1000-M1	RH LOWER PUMP ASSY	1	
4	30006-080020810	BOLT M8x20	5	M8x20
5	9RHV-081000-1000-21	SULFIDE WASHER	18	
6	9RHV-081000-1000-20	JOINT BOLT	8	
7	30006-060012810	BOLT M6x12	6	M6x12
8	30006-060025810	BOLT	1	M6x25
9	9RHV-081040-1000-M1	BRAKE HOSE ASSY 4	1	
10	9RHV-081400-1000-M1	LH LOWER PUMP ASSY	1	
11	30204-080810	NUT M8	1	M8
12	9RHV-081001-1000	FRONT BRAKE DISC	2	
13	9RHV-081002-1000	REAR BRAKE DISC	1	
14	30006-080045810	CLAMP	1	
15	HH4V-081303-1000	BUSHING	2	
16	9RHV-080202-1000	FOOT BRAKE LEVER SPRING	1	
17	9RHV-080201-1000	BUSHING	1	
18	9RHV-080200-1000	BRAKE PEDAL	1	
19	9RHV-0815A0	REAR BRAKE PAD ASSY	1	
20	9RHV-081020-1000-M1	BRAKE HOSE ASSY 2	1	
21	9RHV-080003-1000	REAR BRAKE CALIPER BRACKET	1	
22	9RHV-081600-1000-M1	FOOT BRAKE UPPER PUMP ASSY	1	
23	30006-080025810	BOLT	4	M8x25
24	30102-080050870	INNER HEX SCREW M8x50	1	
25	9RHV-081010-1000-M1	BRAKE HOSE ASSY 1	1	
26	9RHV-081030-1000-M1	BRAKE HOSE ASSY 3	1	
27	9RHV-081100-1000-M1	PROPORTIONAL VALVE ASSY	1	
28	30006-080045810	BOLT M8x45	2	M8x45
29	9RHV-081200-1000-M1	REAR LOWER PUMP ASSY	1	
30	9RHV-081300-1000-M1	REAR HAND BRAKE UPPER PUMP ASSY	1	
31	30006-080012810	BOLT M8x12	4	M8x12
32	9RHV-081700-1000	SPEED SENSOR	1	
33	9RHV-081300-1000-27	LEVER	1	

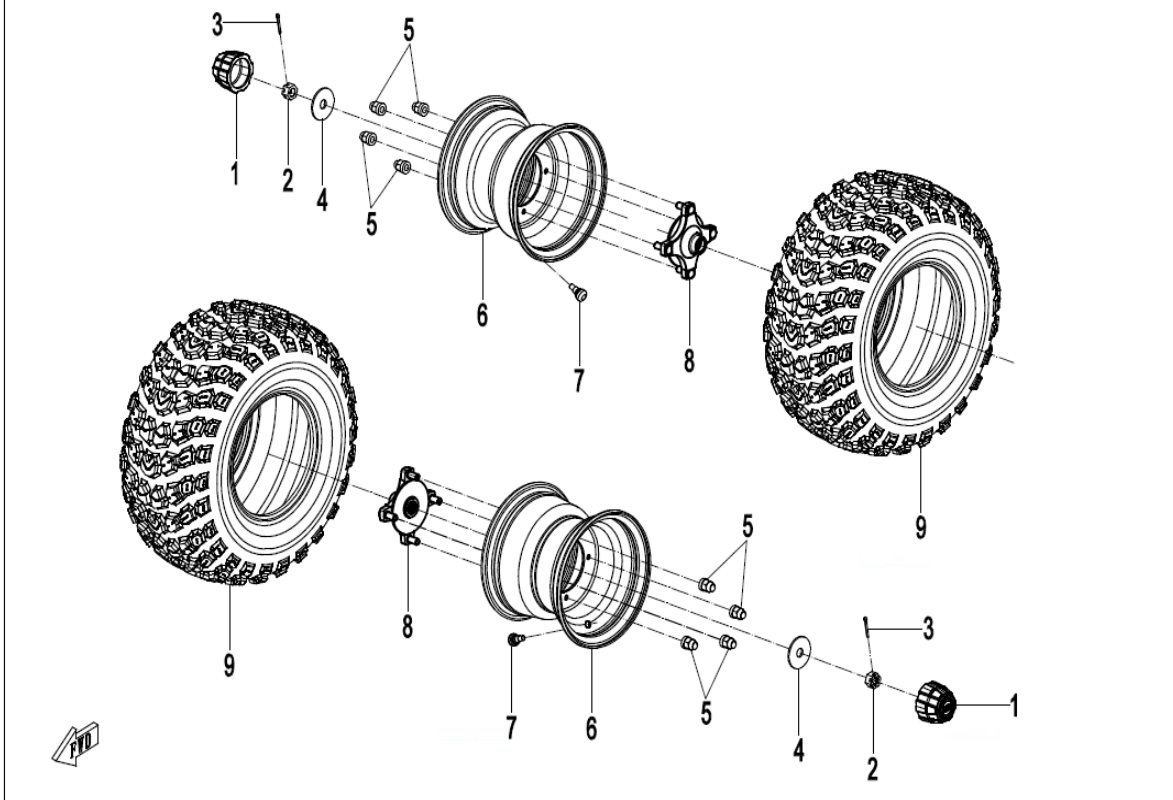




## F10 STEERING SYSTEM

Item No.	Parts Number	Parts Name(EN)	Qty	Specification
1	30102-080050810	INNER HEX SCREW M8x50	4	M8x50
2	9RHV-100003-1000	HANDLEBAR BLOCK III	1	
3	9RHV-100002-1000	HANDLEBAR BLOCK II	1	
4	9RHV-101100-1000	HANDLEBAR	1	
5	9RHV-080110-1000-0BP00	THROTTLE LEVER	1	MAUD SPIRIT BLACK
5	9RHV-080110-1001-0BP00	THROTTLE LEVER	1	MAUD SPIRIT BLACK
6	9DQV-100005-3000	RUBBER SLEEVE, HAND GRIP	2	
7	9DQV-100003-3000	END CAP, HANDLEBAR	2	
8	30121-080020870	SCREW M8x20	2	
9	9RHV-105000-3000	THROTTLE CABLE	1	
10	9RHV-100001-1000	BLOCK I, HANDLEBAR	2	
11	9RHV-030051-1000	BRACKET, DASHBOARD GUARD	1	
12	801F-100101	TIE BAND	2	
13	6KJ0-100002	CLUTCH PULL BINDING	2	
14	9RHV-102100-1000	STEERING SHAFT ASSY	1	
15	5BYA-060003	SEAT, SWAY BAR	2	
16	9RHV-100510-1000	CAP, STEERING STEM	1	
17	30006-080016810	BOLT	2	M8x16
18	9RHV-100530-1000	STEERING ROD	2	
19	9RHV-100530-1000-23	COTTER PIN	4	
20	9RHV-100530-1000-21	SLOTTED NUT THICK	2	
21	9RHV-100530-1000-22	GASKET	2	
22	9RHV-100530-1000-20	SLOTTED NUT THIN	2	
23	7020-100301-10000	SEAT, STEERING SHAFT	2	
24	7020-100600	BEARING, OUTER SPHERICAL	1	205
25	30006-080020810	BOLT M8x20	2	M8x20
26	30006-050012810	BOLT M5x12	2	M5x12
27	9RHV-169010-1000	SAFETY ROPE	1	
28	9RHV-166000-3000	LH HANDLEBAR SWITCH ASSY	1	
28	9RHV-166000-3001	HANDLEBAR SWITCH, LH	1	

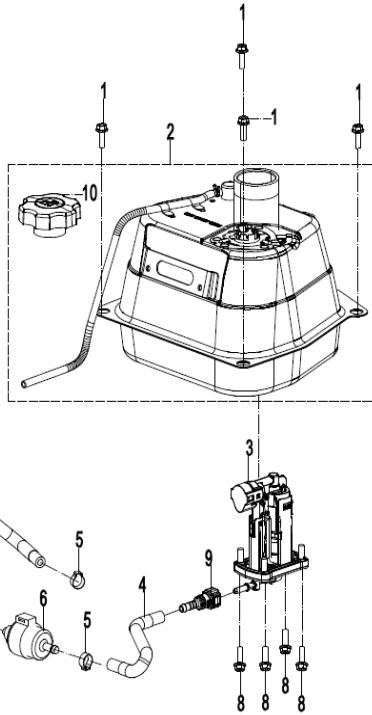
后轮/ REAR WHEEL



F11 REAR WHEEL

Item No.	Parts Number	Parts Name(EN)	Qty	Specification
1	9RHV-110003-1000	DECO COVER, RIM	2	
2	9RHV-030023-1000	SLOTTED NUT M14×1.5	2	
3	30903-0322210	COTTER PIN	2	3.2x22
4	9RHV-330114-1000	PLAIN WASHER	2	
5	9RHV-070110-1000	NUT M10×1.25	8	
6	9RHV-110100-1000-M1-OBM00	REAR RIM ASSY	2	NEBULA BLACK
7	5190-070030-1000	VALVE, INFLATION	2	
8	9RHV-110001-1000	REAR WHEEL BRACKET	2	
9	30706-0802	TIRE	2	REAR

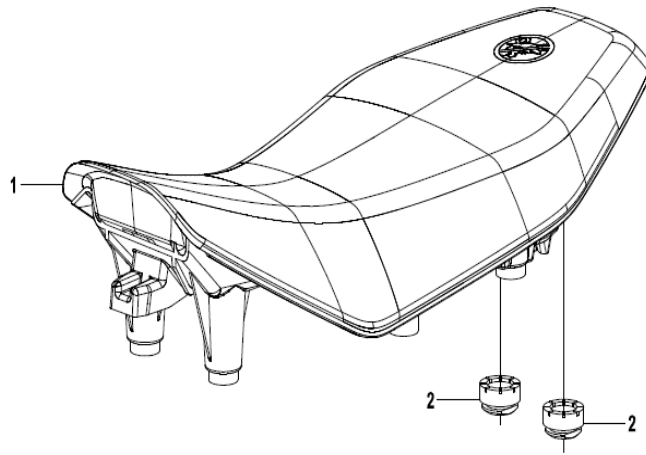
油箱/FUEL TANK



### F12 FUEL TANK

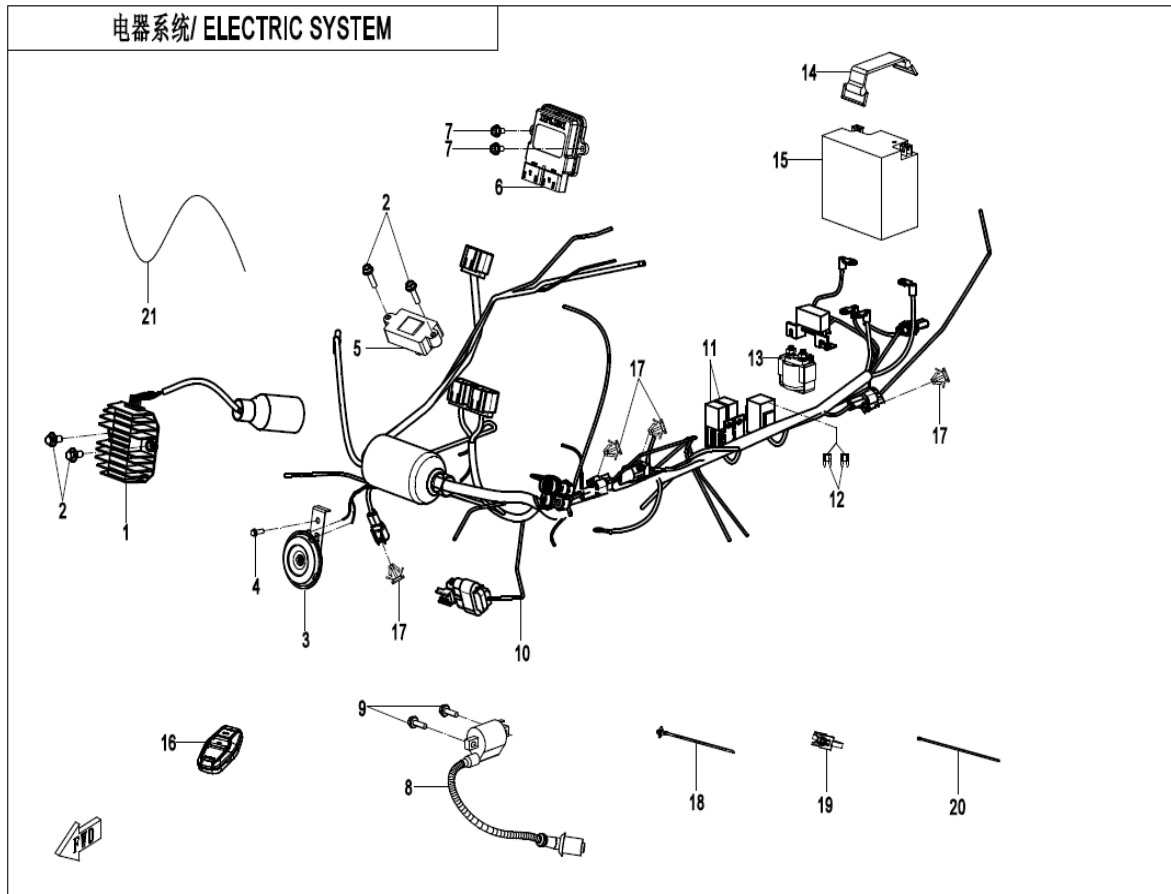
Item No.	Parts Number	Parts Name(EN)	Qty	Specification
01	30006-060020810	BOLT M6x20	4	M6x20
02	9RHV-120000-3000	FUEL TANK	1	
02	9RHV-120000-3001	FUEL TANK ASSY	1	
03	0UHV-071000-2000	HIGH PRESSURE PUMP	1	
04	9RHV-120001-3000	FUEL PIPE I	1	
05	9RHV-120003-3000	CLAMP 15.3	3	
06	9RHV-120500-3000-M1	FUEL FILTER ASSY	1	
07	9RHV-120002-3000	FUEL PIPE II	1	
08	30006-080025810	BOLT	4	M8x25
09	6KJ0-120330-10000	QUICK JOINT	1	
10	9RHV-120000-3000-20	CAP, FUEL TANK	1	

座墊 /SEAT ASSY



## F13 SEAT SYSTEM

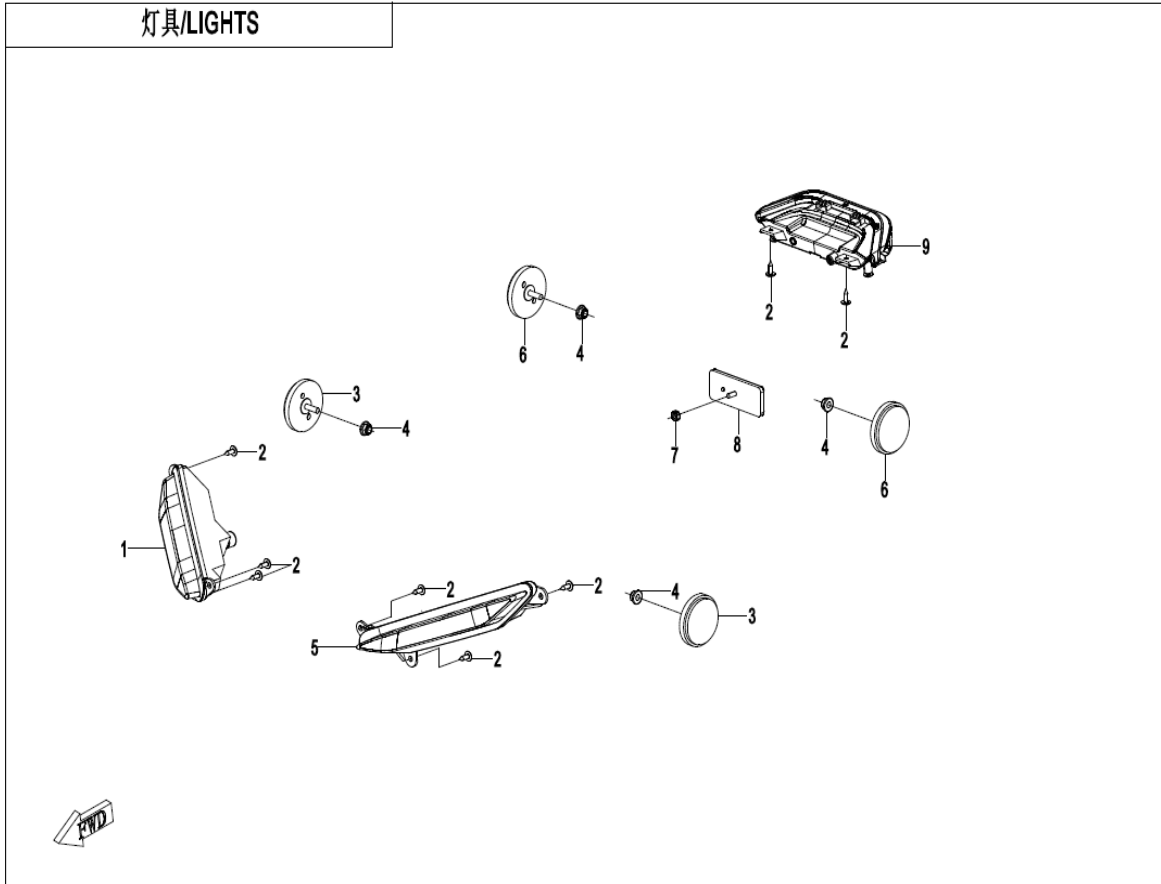
Item No.	Parts Number	Parts Name(EN)	Qty	Specification
1	9RHV-131000-1000	SEAT ASSY	1	
2	7020-130001	RUBBER SLEEVE, SEAT	2	



## F15-1 ELECTRIC SYSTEM

Item No.	Parts Number	Parts Name(EN)	Qty	Specification
1	9RHV-151000-3000	REGULATOR	1	
2	30006-060016810	BOLT M6x16	4	M6x16
3	9RHV-150600-1000	HORN ASSY	1	
4	30102-060012810	SCREW	1	
5	9RHV-152500-1000	ELECTRIC FENCE TRANSMITTER	1	
6	9RHV-001000-3000	ECU	1	
7	30001-060014810	BOLT M6x14	2	M6x14
8	0UHV-178000-2000	IGNITION COIL	1	
9	30006-060020810	BOLT M6x20	2	M6x20
10	9RHV-150100-3000	MAIN CABLE	1	
10	9RHV-150100-3001	MAIN CABLE ASSY	1	
11	9RHV-150100-3000-20	RELAY	2	
12	9RHV-150100-3000-21	FUSE	2	15A
13	9RHV-150310-1000	STARTER RELAY	1	
14	9RHV-150700-1000	TIE BAND, BATTERY	1	
15	31020501	BATTERY	1	
16	9RHV-152600-1000	ELECTRIC FENCE RECEIVER	1	
17	9RHV-150001-3000	DJ7061Y-92 LOCK	4	
18	7030-150005	TIE BAND	14	
19	9DS#-150009-6100-M1	TIE BAND ZDG4.7x194	6	
20	8010-150003	TIE BAND	5	5x250
21	9RHV-150160-3000	ADAPTOR CABLE, ELECTRIC FENCE	1	

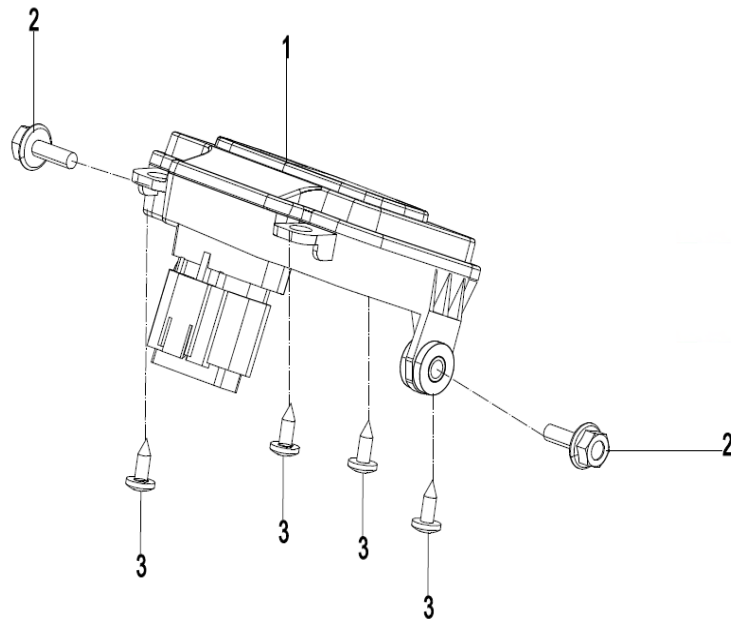
灯具/LIGHTS



## F16 LIGHTS

Item No.	Parts Number	Parts Name(EN)	Qty	Specification
1	9RHV-160420-1000-M1	RH FRONT POSITION LIGHT	1	
2	30110-480160010	SCREW	8	ST4.8x16
3	9GQV-160920-1401-M1	FRONT SIDE REFLECTOR	2	
4	30204-060810	NUT M6	4	M6
5	9RHV-160410-1000-M1	LH FRONT POSITION LIGHT	1	
6	9GQV-160930-1401-M1	REAR SIDE REFLECTOR	2	
7	30204-050830	NUT M5	1	M5
8	5190-160230	REAR REFLECTOR	1	RECTANGLE, RED
9	9RHV-160200-1000-M1	TAIL LIGHT	1	

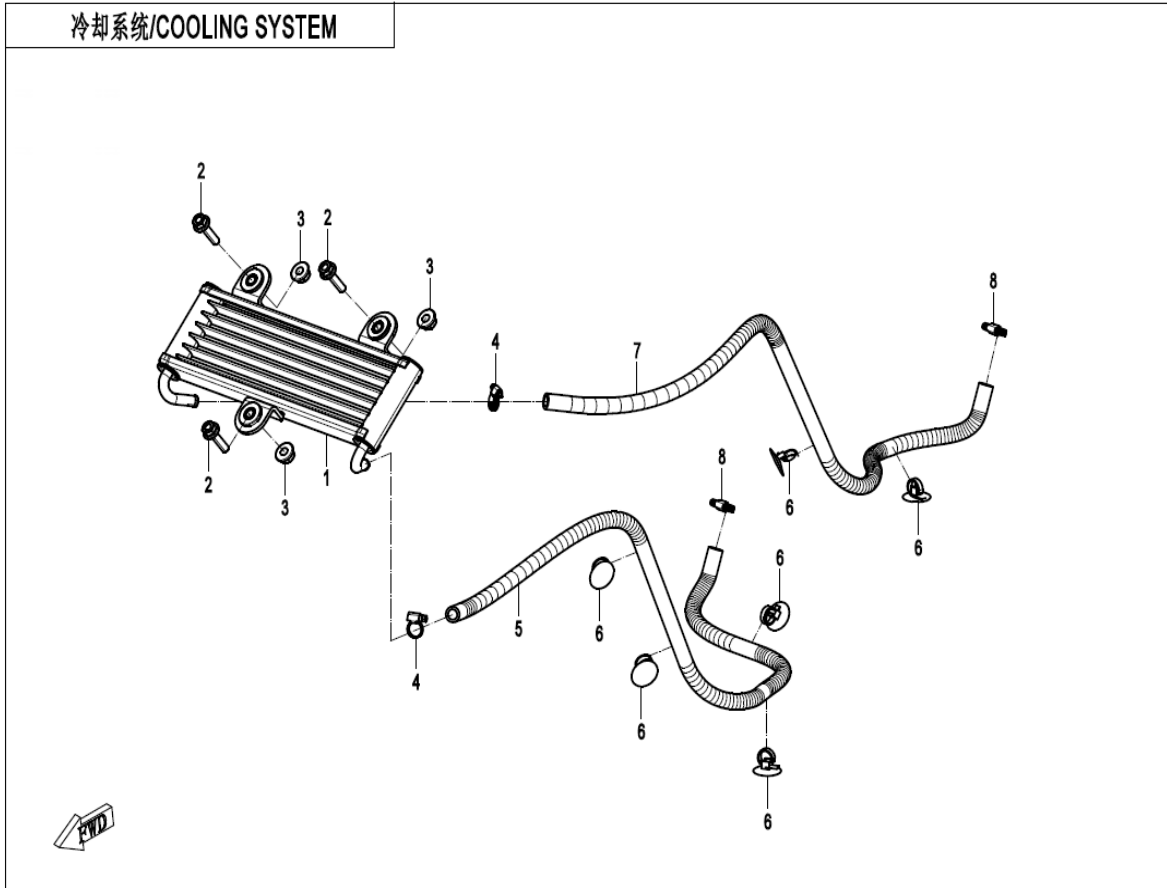
仪表/ DASHBOARD



### F17 DASHBOARD

Item No.	Parts Number	Parts Name(EN)	Qty	Specification
01	9RHV-170100-1000	LCD DASHBOARD	1	
02	30006-050016810	BOLT	2	M5x16
03	30110-420095010	SELF-TAPPING SCREW ST4.2x9.5	4	ST4.2x9.5

冷却系统/COOLING SYSTEM



### F18 COOLING SYSTEM

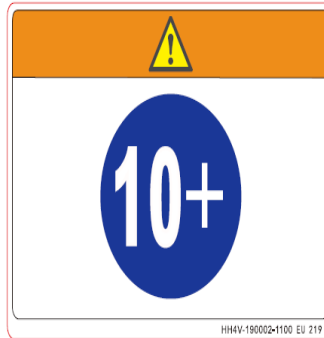
Item No.	Parts Number	Parts Name(EN)	Qty	Specification
01	9RHV-180100-1000	OIL COOLER	1	
02	30006-060022810	BOLT	3	@
03	30204-060810	NUT M6	3	M6
04	6070-120400	CLAMP	2	Dia14.5
05	9RHV-180001-1000	RUBBER HOSE I	1	
06	7030-150005	TIE BAND	6	
07	9RHV-180002-1000	RUBBER HOSE II	1	
08	30604-1130S0	CLAMP	2	



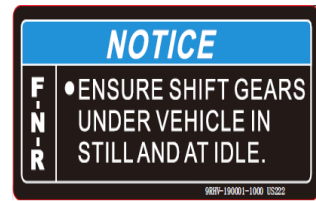
1



4



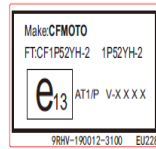
5



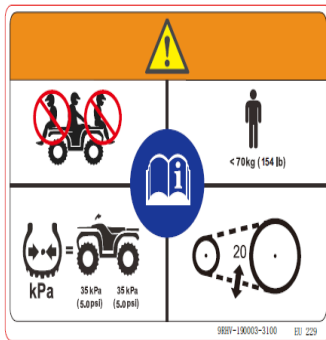
8



2



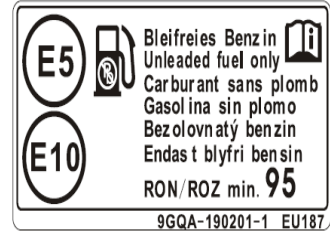
3



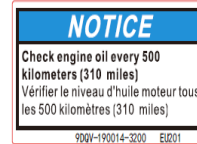
6



7



9



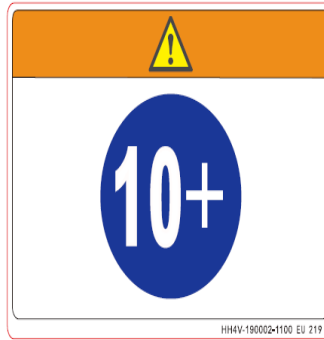
## F19-1-A-V1 WARNING DECAL (CE)

Item No.	Parts Number	Parts Name(EN)	Qty	Specification
01	9DQV-190011-5000	VIN PLATE	1	
02	9RHV-190012-3100	ENGINE CE AUTHENTICATION TAG	1	
03	9RHV-190003-3100	INSTRUCTION LABEL, VEHICLE LOAD	1	
04	HH4V-190002-1100	WARNING LABEL, DRIVER AGE	1	
05	9RHV-190001-1000	INSTRUCTION LABEL, GEAR OPERATION	1	
06	HH4V-190009-1100	DECAL, DRIVE WARNING	1	
07	9GQA-190201-10000	WARNING LABEL, FUEL FILLING PORT	1	
08	9GQS-190102	DECAL, BRAKE FLUID LEVEL	2	
09	9DQV-190014-3200	WARNING DECAL, ENGINE OIL	1	

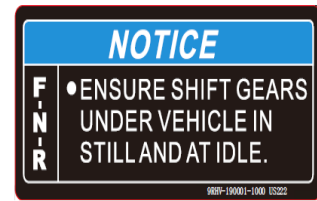
1



4



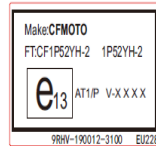
5



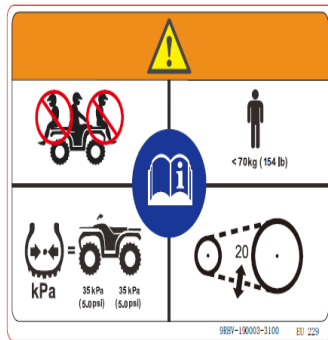
8



2



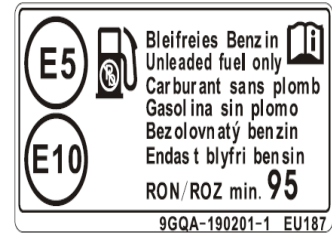
3



6



7



## F19-1-A-V2 WARNING DECAL (CE)

Item No.	Parts Number	Parts Name(EN)	Qty	Specification
01	9DQV-190011-5000	VIN PLATE	1	
02	9RHV-190012-3100	ENGINE CE AUTHENTICATION TAG	1	
03	9RHV-190003-3100	INSTRUCTION LABEL, VEHICLE LOAD	1	
04	HH4V-190002-1100	WARNING LABEL, DRIVER AGE	1	
05	9RHF-190001-1000	INSTRUCTION LABEL, GEAR OPERATION	1	
06	HH4V-190009-1100	DECAL, DRIVE WARNING	1	
07	9GQA-190201-10000	WARNING LABEL, FUEL FILLING PORT	1	
08	9GQS-190102	DECAL, BRAKE FLUID LEVEL	2	

1

MANUFACTURED BY: ZHEJIANG CFMOTO POWER CO., LTD.  
 MODEL:  
 DISPLACEMENT: XXX mL  
 VIN: ☆XXXXXXXXXXXXXXXXX☆  
 MADE IN CHINA

2

**WARNING**

Improper tire pressure or overloading can cause loss of control. Loss of control can result in severe injury or death.

- Cold tire pressure:  
 Front: 5.0 psi ( 35 kPa)  
 Rear: 5.0 psi ( 35 kPa)
- Maximum weight capacity: 155 lbs. (70.5kg)

HH4V-190003-1000 US 218

6

**NOTICE**

**F  
N  
R**

- ENSURE SHIFT GEARS UNDER VEHICLE IN STILL AND AT IDLE.

9RHV-190001-1000 US222

4

**WARNING**

**UNDER 10**

Operation of this ATV by children under the age of 10 increases the risk of severe injury or death.

Adult supervision required for children under age 16.

**NEVER** permit children under age 10 to operate this ATV.

HH4V-190002-1000 US 219

3

**WARNING**

**NEVER** ride as a passenger.

Passengers can cause a loss of control, resulting in SEVERE INJURY or DEATH.

9DQV-190004-4000 US221

5

**WARNING**

Improper ATV use can result in SEVERE INJURY or DEATH.

ALWAYS USE AN APPROVED HELMET AND PROTECTIVE GEAR. NEVER USE ON PUBLIC ROADS. NEVER CARRY PASSENGERS. NEVER USE WITH DRUGS OR ALCOHOL.

**NEVER** operate :

- without proper training or instruction.
- at speeds too fast for your skills or the conditions.
- on public roads - a collision can occur with another vehicle.
- with a passenger - passengers affect balance and steering and increase risk of losing control.

**ALWAYS :**

- use proper riding techniques to avoid vehicle overturns on hills and rough terrain and in turns.
- avoid paved surfaces - pavement may seriously affect handling and control.

LOCATE AND READ OWNER'S MANUAL. FOLLOW ALL INSTRUCTIONS AND WARNINGS.

9DQV-190008-4000 US221

7

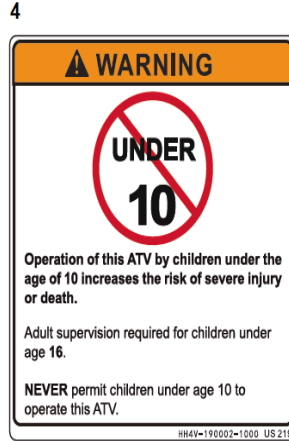
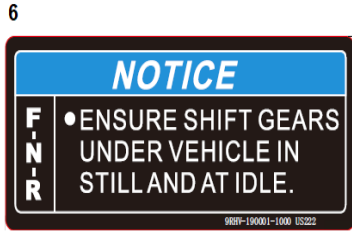
**NOTICE**

Check engine oil every 500 kilometers (310 miles)  
 Vérifier le niveau d'huile moteur tous les 500 kilomètres (310 miles)

9DQV-190014-3200 EU201

## F19-1-B-V1 WARNING DECAL (INTERNATIONAL)

Item No.	Parts Number	Parts Name(EN)	Qty	Specification
01	9GQ0-190003	VEHICLE PLATE_2020	1	
02	HH4V-190003-1000	INSTRUCTION LABEL, TIRE PRESSURE&LOAD	1	
03	9DQV-190004-4000	WARNING DECAL, PASSENGER	1	
04	HH4V-190002-1000	WARNING LABEL, DRIVER AGE	1	
05	9DQV-190008-4000	DECAL, DRIVE WARNING	1	
06	9RHV-190001-1000	INSTRUCTION LABEL, GEAR OPERATION	1	
07	9DQV-190014-3200	WARNING DECAL, ENGINE OIL	1	

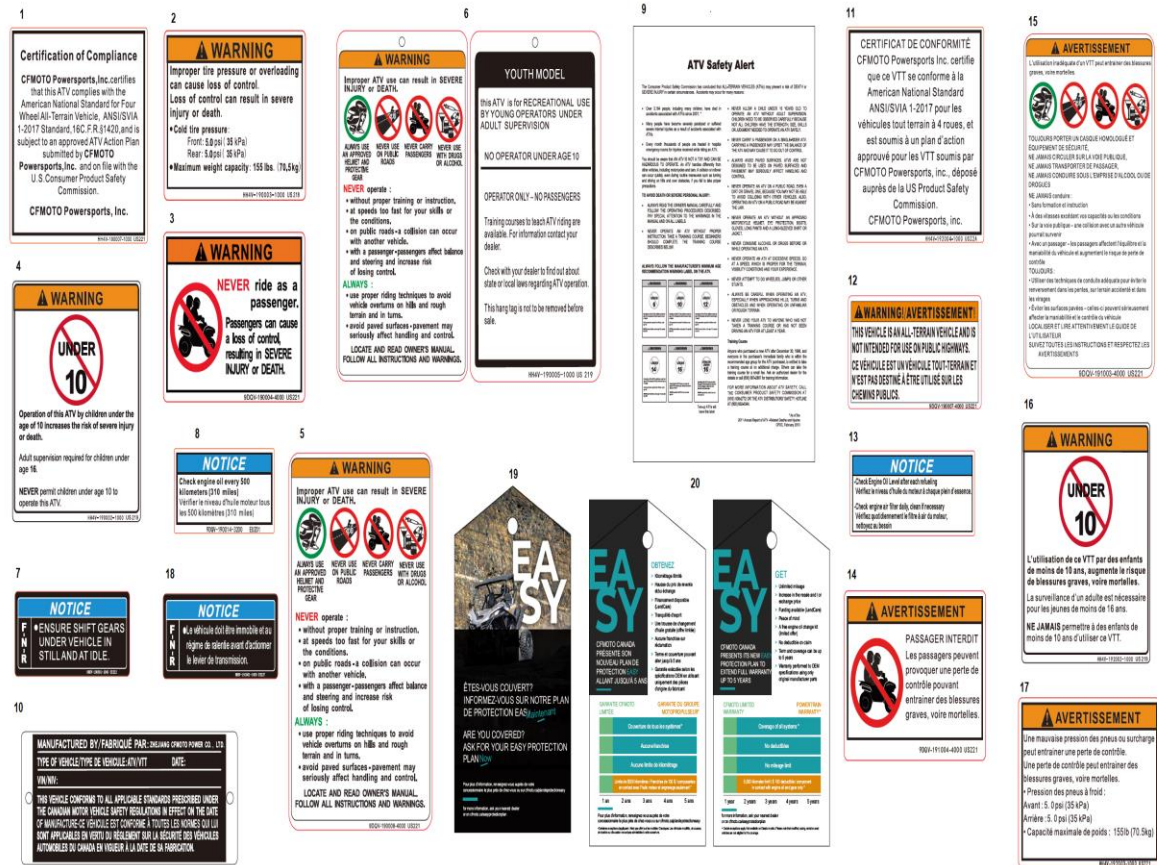


## F19-1-B-V2 WARNING DECAL (INTERNATIONAL)

Item No.	Parts Number	Parts Name(EN)	Qty	Specification
01	9GQ0-190003	VEHICLE PLATE_2020	1	
02	HH4V-190003-1000	INSTRUCTION LABEL, TIRE PRESSURE&LOAD	1	
03	9DQV-190004-4000	WARNING DECAL, PASSENGER	1	
04	HH4V-190002-1000	WARNING LABEL, DRIVER AGE	1	
05	9DQV-190008-4000	DECAL, DRIVE WARNING	1	
06	9RHV-190001-1000	INSTRUCTION LABEL, GEAR OPERATION	1	

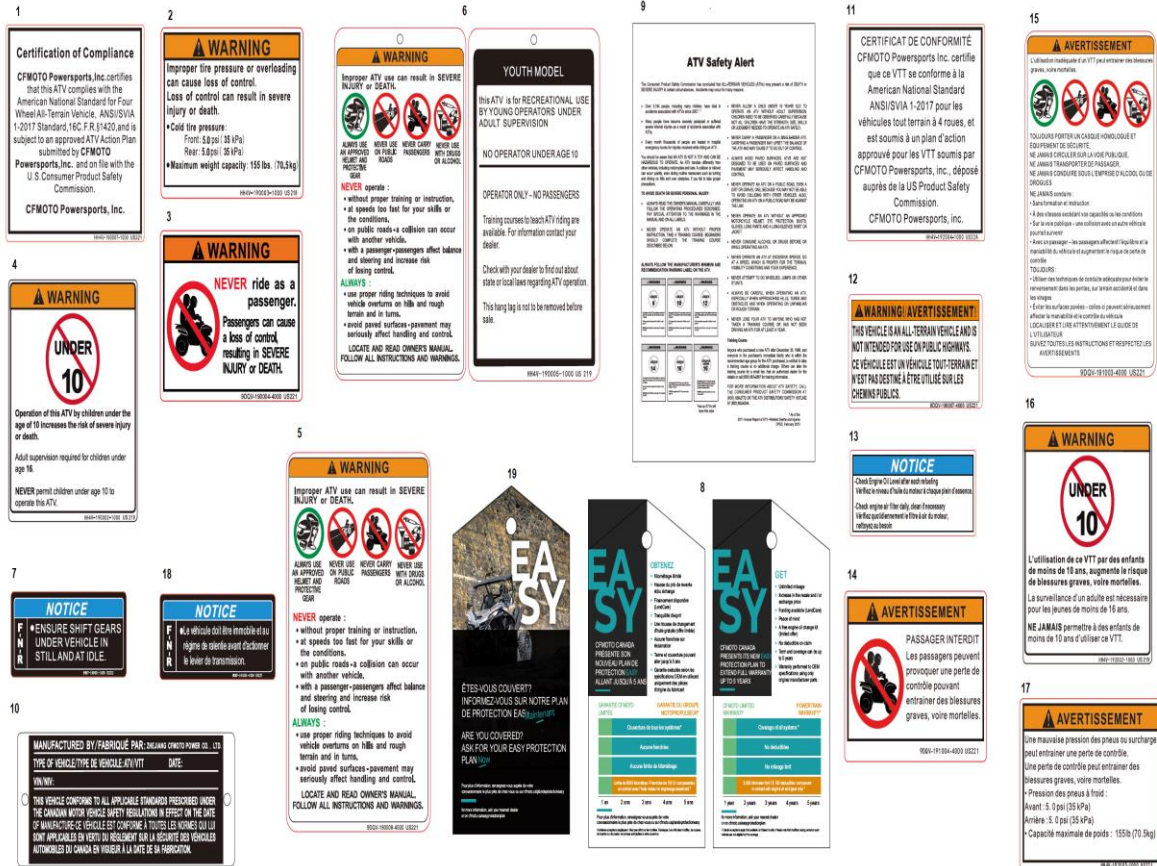






## F19-1-D-V1 WARNING DECAL (CA)

Item No.	Parts Number	Parts Name(EN)	Qty	Specification
01	HH4V-190007-1000	DECLARATION DECAL	1	
02	HH4V-190003-1000	INSTRUCTION LABEL, TIRE PRESSURE&LOAD	1	
03	9DQV-190004-4000	WARNING DECAL, PASSENGER	1	
04	HH4V-190002-1000	WARNING LABEL, DRIVER AGE	1	
05	9DQV-190008-4000	DECAL, DRIVE WARNING	1	
06	HH4V-190005-1000	ANSI TAG	1	
07	9RHV-190001-1000	INSTRUCTION LABEL, GEAR OPERATION	1	
08	9DQV-190014-3200	WARNING DECAL, ENGINE OIL	1	
09	9010-380107	ATV SAFETY LABEL	1	
10	7020-191312	VIN PLATE	1	CANADA
11	HH4V-192004-1000	DECLARATION DECAL	1	
12	9DQV-190007-4000	WARNING LABEL	1	
13	9DQV-190009-4000	WARNING DECAL, DASHBOARD	1	
14	9DQV-191004-4000	WARNING DECAL, PASSENGER	1	
15	9DQV-191003-4000	DECAL, DRIVE WARNING	1	
16	HH4V-192002-1000	WARNING LABEL, DRIVER AGE	1	
17	HH4V-192003-1000	TIRE PRESSURE AND LOAD INSTRUCTION LABEL	1	
18	9RHV-191001-1000	INSTRUCTION LABEL, GEAR OPERATION	1	FRENCH
19	9AWV-190101-2E00	HANDLEBAR TAG	1	
20	9AWV-190102-2E00	HANDLEBAR TAG	1	



## F19-1-D-V2 WARNING DECAL(CA)

Item No.	Parts Number	Parts Name(EN)	Qty	Specification
01	HH4V-190007-1000	DECLARATION DECAL	1	
02	HH4V-190003-1000	INSTRUCTION LABEL, TIRE PRESSURE&LOAD	1	
03	9DQV-190004-4000	WARNING DECAL, PASSENGER	1	
04	HH4V-190002-1000	WARNING LABEL, DRIVER AGE	1	
05	9DQV-190008-4000	DECAL, DRIVE WARNING	1	
06	HH4V-190005-1000	ANSI TAG	1	
07	9RHV-190001-1000	INSTRUCTION LABEL, GEAR OPERATION	1	
08	9AWV-190102-2E00	HANDLEBAR TAG	1	
09	9010-380107	ATV SAFETY LABEL	1	
10	7020-191312	VIN PLATE	1	CANADA
11	HH4V-192004-1000	DECLARATION DECAL	1	
12	9DQV-190007-4000	WARNING LABEL	1	
13	9DQV-190009-4000	WARNING DECAL, DASHBOARD	1	
14	9DQV-191004-4000	WARNING DECAL, PASSENGER	1	
15	9DQV-191003-4000	DECAL, DRIVE WARNING	1	
16	HH4V-192002-1000	WARNING LABEL, DRIVER AGE	1	
17	HH4V-192003-1000	TIRE PRESSURE AND LOAD INSTRUCTION LABEL	1	
18	9RHV-191001-1000	INSTRUCTION LABEL, GEAR OPERATION	1	FRENCH
19	9AWV-190101-2E00	HANDLEBAR TAG	1	



1

MANUFACTURED BY: ZHEJIANG CFMOTO POWER CO., LTD.  
 MODEL: \_\_\_\_\_  
 DISPLACEMENT: XXX mL  
 VIN: XXXXXXXXXXXXXXXX  
 MADE IN CHINA

2

**WARNING**

Improper tire pressure or overloading can cause loss of control. Loss of control can result in severe injury or death.

- Cold tire pressure:  
 Front: 5.0 psi (35 kPa)  
 Rear: 5.0 psi (35 kPa)
- Maximum weight capacity: 155 lbs. (70.5kg)

HH4V-190003-1000 US 218

6

**NOTICE**

**F N R**

- ENSURE SHIFT GEARS UNDER VEHICLE IN STILL AND AT IDLE.

90QV-190001-1000 US22

7

**NOTICE**

Check engine oil every 500 kilometers (310 miles)  
 Vérifier le niveau d'huile moteur tous les 500 kilomètres (310 miles)

9DQV-190014-3200 EU201

4

**WARNING**

**UNDER 10**

Operation of this ATV by children under the age of 10 increases the risk of severe injury or death.  
 Adult supervision required for children under age 16.  
 NEVER permit children under age 10 to operate this ATV.

HH4V-190002-1000 US 219

3

**WARNING**

**NEVER ride as a passenger.**  
 Passengers can cause a loss of control, resulting in SEVERE INJURY or DEATH.

9DQV-190004-4000 US221

8

**WARNING!**

This vehicle is not certified to comply with the Australian Design Rules and may not be registered for normal on-road use.

90QV-190003-4200 AU221

5

**WARNING**

Improper ATV use can result in SEVERE INJURY or DEATH.

ALWAYS USE AN APPROVED HELMET AND PROTECTIVE GEAR. NEVER USE ON PUBLIC ROADS. NEVER CARRY PASSENGERS. NEVER USE WITH DRUGS OR ALCOHOL.

**NEVER** operate:

- without proper training or instruction.
- at speeds too fast for your skills or the conditions.
- on public roads - a collision can occur with another vehicle.
- with a passenger - passengers affect balance and steering and increase risk of losing control.

**ALWAYS:**

- use proper riding techniques to avoid vehicle overturns on hills and rough terrain and in turns.
- avoid paved surfaces - pavement may seriously affect handling and control.

LOCATE AND READ OWNER'S MANUAL. FOLLOW ALL INSTRUCTIONS AND WARNINGS.

9DQV-190008-4000 US221

11

**Certification of Compliance**  
 ZHEJIANG CFMOTO POWER CO., LTD. certifies that this ATV complies with the American National Standard for Four-Wheel All-Terrain Vehicle ANSI/SVIA 1-2017 and is subject to an approved ATV Action Plan submitted by ZHEJIANG CFMOTO POWER CO., LTD. which is on file with the U.S. Consumer Product Safety Commission.

ZHEJIANG CFMOTO POWER CO., LTD.

HH4V-191002-1000 AU22B

9

**WARNING**

**RISK of ROLLOVER** even on flat terrain. ROLLOVERS could result in DEATH or SERIOUS INJURY.  
 AVOID sudden sharp turns  
 AVOID steep inclines  
 AVOID riding across slopes

90QV-191004-4200 AU221

10

**Stability Test Result**

**43.8°**

**COMPARE VEHICLES**  
 Quad bikes with higher numbers are more stable  
 ASK YOUR DEALER FOR ADVICE

MOJO MOTORCYCLES PTY LTD  
 Model(s): CF118AT10

When tested to the quad bike safety standard, this is the minimum angle this quad bike tipped sideways on to two wheels. The above result should be used for comparative purposes only.  
 Factors, such as uneven terrain, speed, loadings, accessories, modifications and rider position can affect a quad bike's stability.  
 Read the operator's manual for safe riding practices.

THIS HANG TAG IS NOT TO BE REMOVED BEFORE SALE

90QV-191002-1000 AU22

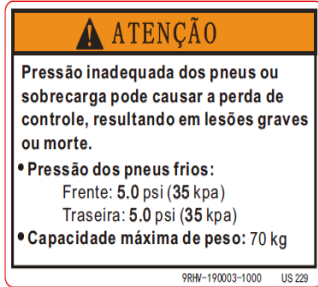
## F19-1-E-V1 WARNING DECAL(AU)

Item No.	Parts Number	Parts Name(EN)	Qty	Specification
01	9GQ0-190003	VEHICLE PLATE_2020	1	
02	HH4V-190003-1000	INSTRUCTION LABEL, TIRE PRESSURE&LOAD	1	
03	9DQV-190004-4000	WARNING DECAL, PASSENGER	1	
04	HH4V-190002-1000	WARNING LABEL, DRIVER AGE	1	
05	9DQV-190008-4000	DECAL, DRIVE WARNING	1	
06	9RHV-190001-1000	INSTRUCTION LABEL, GEAR OPERATION	1	
07	9DQV-190014-3200	WARNING DECAL, ENGINE OIL	1	
08	9DQV-190003-4200	WARNING LABEL, SAFETY	1	AU
09	9DQV-190004-4200	ROLL-OVER WARNING DECAL	1	
10	9RHV-191003-1000	ROLL-OVER WARNING HANG TAG	1	
11	HH4V-191002-1000	DECLARATION DECAL	1	

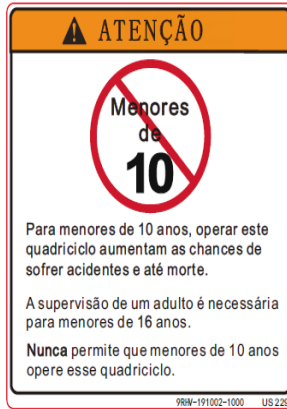
1



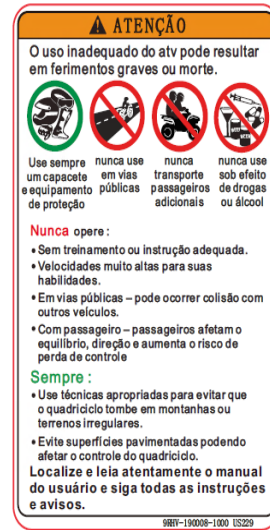
2



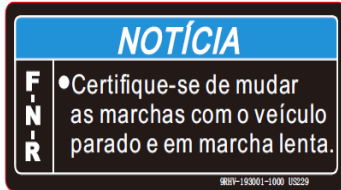
4



5



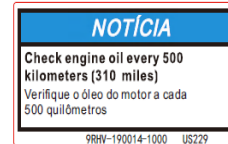
6



3



7



## F19-1-F-V1 WARNING DECAL(BRAZIL)

Item No.	Parts Number	Parts Name(EN)	Qty	Specification
01	9GQ0-190003	VEHICLE PLATE_2020	1	
02	9RHV-190003-1000	TIRE PRESSURE AND LOAD INSTRUCTION DECAL	1	
03	9RHV-190004-1000	WARNING DECAL, PASSENGER	1	
04	9RHV-191002-1000	WARNING DECAL, DRIVERS AGE	1	
05	9RHV-190008-1000	DECAL, DRIVE WARNING	1	
06	9RHV-193001-1000	INSTRUCTION LABEL, GEAR OPERATION	1	
07	9RHV-190014-1000	WARNING LABEL,ENGINE OIL	1	

1

MANUFACTURED BY: ZHEJIANG CFMOTO POWER CO., LTD.  
 MODEL:  
 DISPLACEMENT: XXXX mL  
 VIN: XXXXXXXXXXXXXXXX  
 MADE IN CHINA

2

**WARNING**

Improper tire pressure or overloading can cause loss of control. Loss of control can result in severe injury or death.

- Cold tire pressure:  
 Front: 5.0 psi ( 35 kPa)  
 Rear: 5.0 psi ( 35 kPa)
- Maximum weight capacity: 155 lbs. (70.5kg)

HH4V-190003-1000 US218

6

**NOTICE**

**F N R**

- ENSURE SHIFT GEARS UNDER VEHICLE IN STILL AND AT IDLE.

99V-19001-1000 AU221

4

**WARNING**

**UNDER 10**

Operation of this ATV by children under the age of 10 increases the risk of severe injury or death.

Adult supervision required for children under age 16.

NEVER permit children under age 10 to operate this ATV.

HH4V-19002-1000 US219

3

**WARNING**

**NEVER** ride as a passenger. Passengers can cause a loss of control, resulting in SEVERE INJURY or DEATH.

9DQV-190004-4000 US221

8

**WARNING!**

This vehicle is not certified to comply with the Australian Design Rules and may not be registered for normal on-road use.

99V-19003-4200 AU220

5

**WARNING**

Improper ATV use can result in SEVERE INJURY or DEATH.

ALWAYS USE AN APPROVED HELMET AND PROTECTIVE GEAR. NEVER USE ON PUBLIC ROADS. NEVER CARRY PASSENGERS. NEVER USE WITH DRUGS OR ALCOHOL.

**NEVER** operate:

- without proper training or instruction.
- at speeds too fast for your skills or the conditions.
- on public roads - a collision can occur with another vehicle.
- with a passenger - passengers affect balance and steering and increase risk of losing control.

**ALWAYS:**

- use proper riding techniques to avoid vehicle overturns on hills and rough terrain and in turns.
- avoid paved surfaces - pavement may seriously affect handling and control.

LOCATE AND READ OWNER'S MANUAL. FOLLOW ALL INSTRUCTIONS AND WARNINGS.

9DQV-190008-4000 US221

7

**Certification of Compliance**

ZHEJIANG CFMOTO POWER CO., LTD. certifies that this ATV complies with the American National Standard for Four-Wheel All-Terrain Vehicle ANSI/SVIA 1-2017 and is subject to an approved ATV Action Plan submitted by ZHEJIANG CFMOTO POWER CO., LTD. which is on file with the U.S. Consumer Product Safety Commission.

ZHEJIANG CFMOTO POWER CO., LTD.

HH4V-191002-1000 AU220

9

**WARNING**

**RISK OF ROLLOVER** even on flat terrain ROLLOVERS could result in DEATH or SERIOUS INJURY

AVOID sudden sharp turns  
 AVOID steep inclines  
 AVOID riding across slopes

99V-19004-4200 AU221

10

**Stability Test Result**

**43.8°**

**COMPARE VEHICLES**  
 Quad bikes with higher numbers are more stable  
**ASK YOUR DEALER FOR ADVICE**

MOJO MOTORCYCLES PTY LTD  
 Model(s): CF16AT10

When tested to the quad bike safety standard, this is the minimum angle the quad bike tipped sideways on to two wheels. The above result should be used for comparative purposes only.

Factors, such as uneven terrain, speed, loadings, accessories, modifications and rider position can effect a quad bike's stability.

Read the operators manual for safe riding practices.

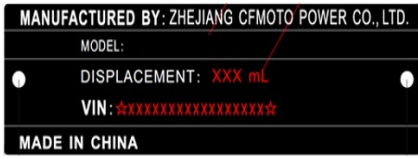
**THIS HANG TAG IS NOT TO BE REMOVED BEFORE SALE.**

9RHV-191003-1000 AU220

## F19-1-E-V2 WARNING DECAL (AU)

Item No.	Parts Number	Parts Name(EN)	Qty	Specification
01	9GQ0-190003	VEHICLE PLATE_2020	1	
02	HH4V-190003-1000	INSTRUCTION LABEL, TIRE PRESSURE&LOAD	1	
03	9DQV-190004-4000	WARNING DECAL, PASSENGER	1	
04	HH4V-190002-1000	WARNING LABEL, DRIVER AGE	1	
05	9DQV-190008-4000	DECAL, DRIVE WARNING	1	
06	9RHV-190001-1000	INSTRUCTION LABEL, GEAR OPERATION	1	
07	HH4V-191002-1000	DECLARATION DECAL	1	
08	9DQV-190003-4200	WARNING LABEL, SAFETY	1	AU
09	9DQV-190004-4200	ROLL-OVER WARNING DECAL	1	
10	9RHV-191003-1000	ROLL-OVER WARNING HANG TAG	1	

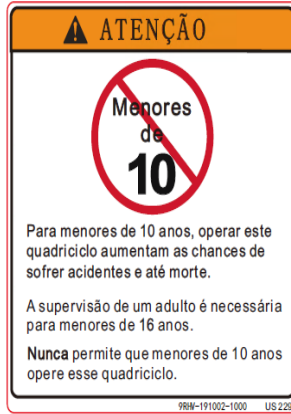
1



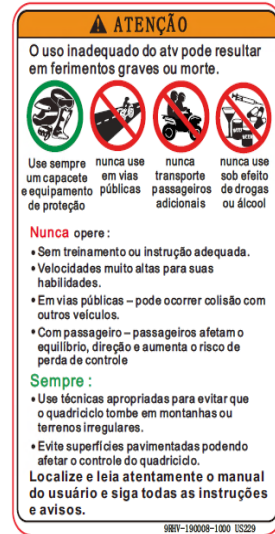
2



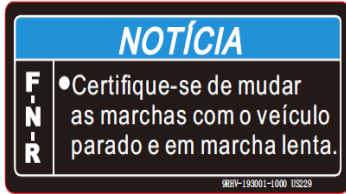
4



5



6

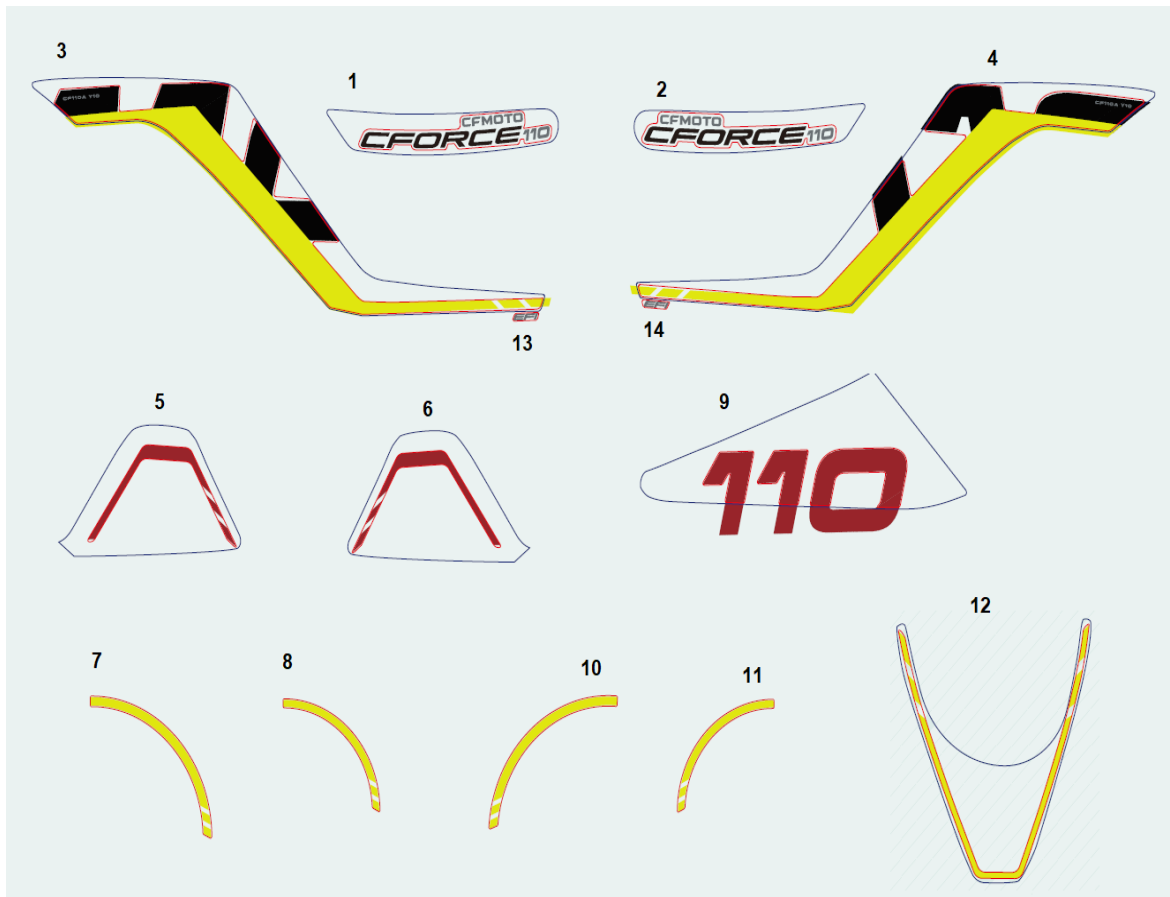


3



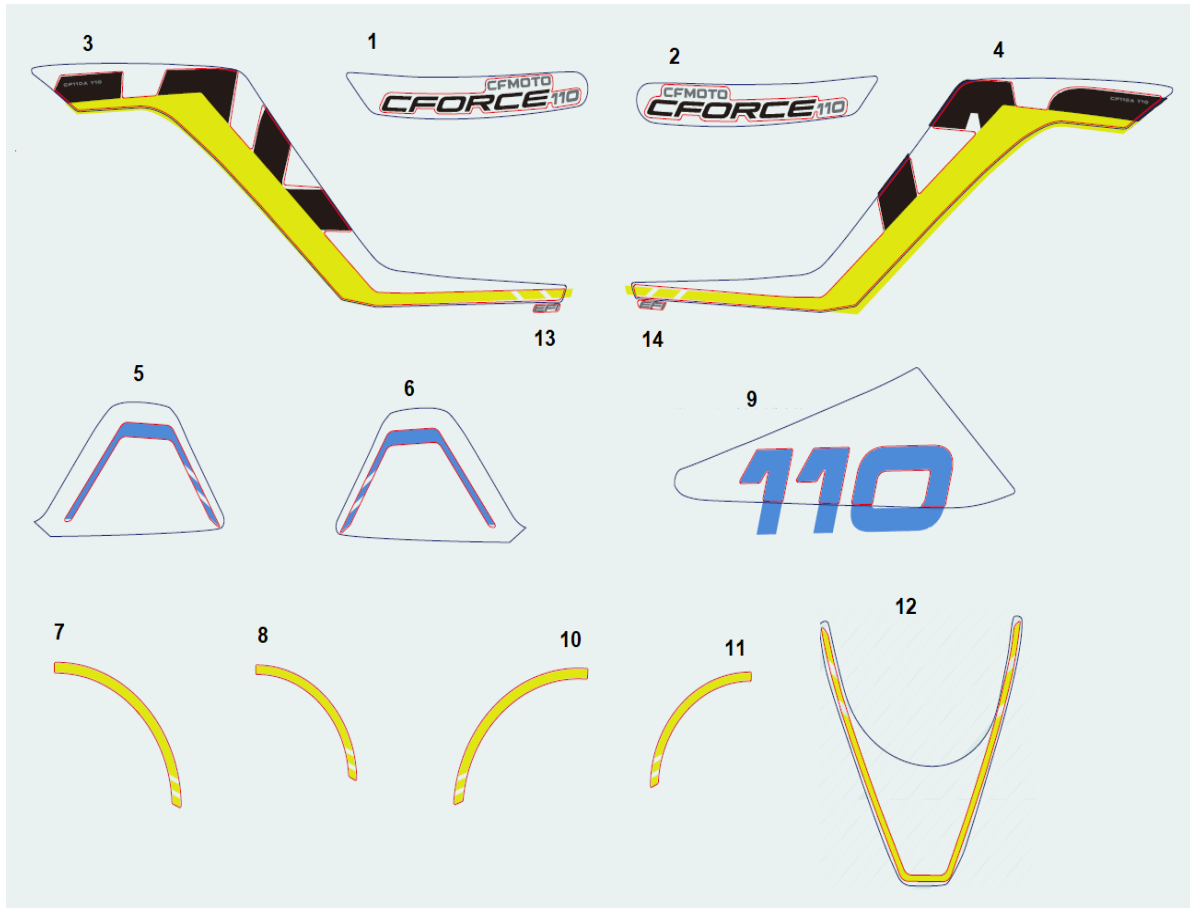
### F19-1-F-V2 WARNING DECAL(BRAZIL)

Item No.	Parts Number	Parts Name(EN)	Qty	Specification
01	9GQ0-190003	VEHICLE PLATE_2020	1	
02	9RHV-190003-1000	TIRE PRESSURE AND LOAD INSTRUCTION DECAL	1	
03	9RHV-190004-1000	WARNING DECAL, PASSENGER	1	
04	9RHV-191002-1000	WARNING DECAL, DRIVERS AGE	1	
05	9RHV-190008-1000	DECAL, DRIVE WARNING	1	
06	9RHV-193001-1000	INSTRUCTION LABEL, GEAR OPERATION	1	



### F19-2-A DECAL KITS (ROCKET RED)

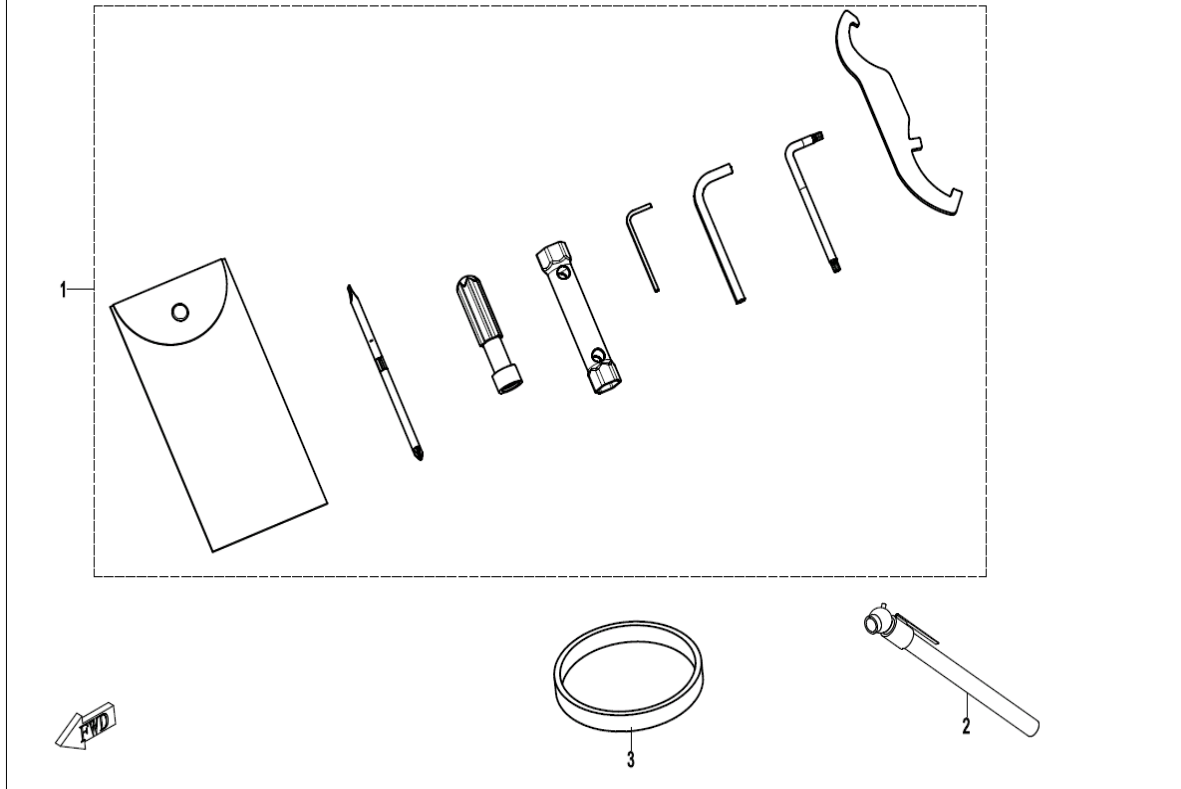
Item No.	Parts Number	Parts Name(EN)	Qty	Specification
01	9RHV-190101-1000-10	DECAL 1, LH SIDE COVER DECO PLATE	1	
02	9RHV-190102-1000-10	DECAL 1, RH SIDE COVER DECO PLATE	1	
03	9RHV-190103-1000-10	DECAL 2, LH SIDE COVER DECO PLATE	1	
04	9RHV-190104-1000-10	DECAL 2, RH SIDE COVER DECO PLATE	1	
05	9RHV-190105-1000-10	DECAL, LH REAR FENDER	1	
06	9RHV-190106-1000-10	DECAL, RH REAR FENDER	1	
07	9RHV-190107-1000-10	DECAL, LH FRONT RIM	1	
08	9RHV-190108-1000-10	DECAL, LH REAR RIM	1	
09	9RHV-190109-1000-10	DECAL, FRONT FENDER	1	
10	9RHV-190111-1000-10	DECAL, RH FRONT RIM	1	
11	9RHV-190112-1000-10	DECAL, RH REAR RIM	1	
12	9RHV-190113-1000-10	DECAL, FUEL TANK FRONT GUARD	1	
13	9RHV-190115-1000-10	DECAL, LH EFI	1	
14	9RHV-190116-1000-10	DECAL, RH EFI	1	
15	9RHV-190100-1000-10	DECAL ASSY	1	



### F19-2-B DECAL KITS (BAJA BLUE)

Item No.	Parts Number	Parts Name(EN)	Qty	Specification
01	9RHV-190101-1000-10	DECAL 1, LH SIDE COVER DECO PLATE	1	
02	9RHV-190102-1000-10	DECAL 1, RH SIDE COVER DECO PLATE	1	
03	9RHV-190103-1000-10	DECAL 2, LH SIDE COVER DECO PLATE	1	
04	9RHV-190104-1000-10	DECAL 2, RH SIDE COVER DECO PLATE	1	
05	9RHV-190105-1000-11	DECAL, LH REAR FENDER	1	
06	9RHV-190106-1000-11	DECAL, RH REAR FENDER	1	
07	9RHV-190107-1000-10	DECAL, LH FRONT RIM	1	
08	9RHV-190108-1000-10	DECAL, LH REAR RIM	1	
09	9RHV-190109-1000-11	DECAL, FRONT FENDER	1	
10	9RHV-190111-1000-10	DECAL, RH FRONT RIM	1	
11	9RHV-190112-1000-10	DECAL, RH REAR RIM	1	
12	9RHV-190113-1000-10	DECAL, FUEL TANK FRONT GUARD	1	
13	9RHV-190115-1000-10	DECAL, LH EFI	1	
14	9RHV-190116-1000-10	DECAL, RH EFI	1	
15	9RHV-190100-1000-11	DECAL ASSY	1	

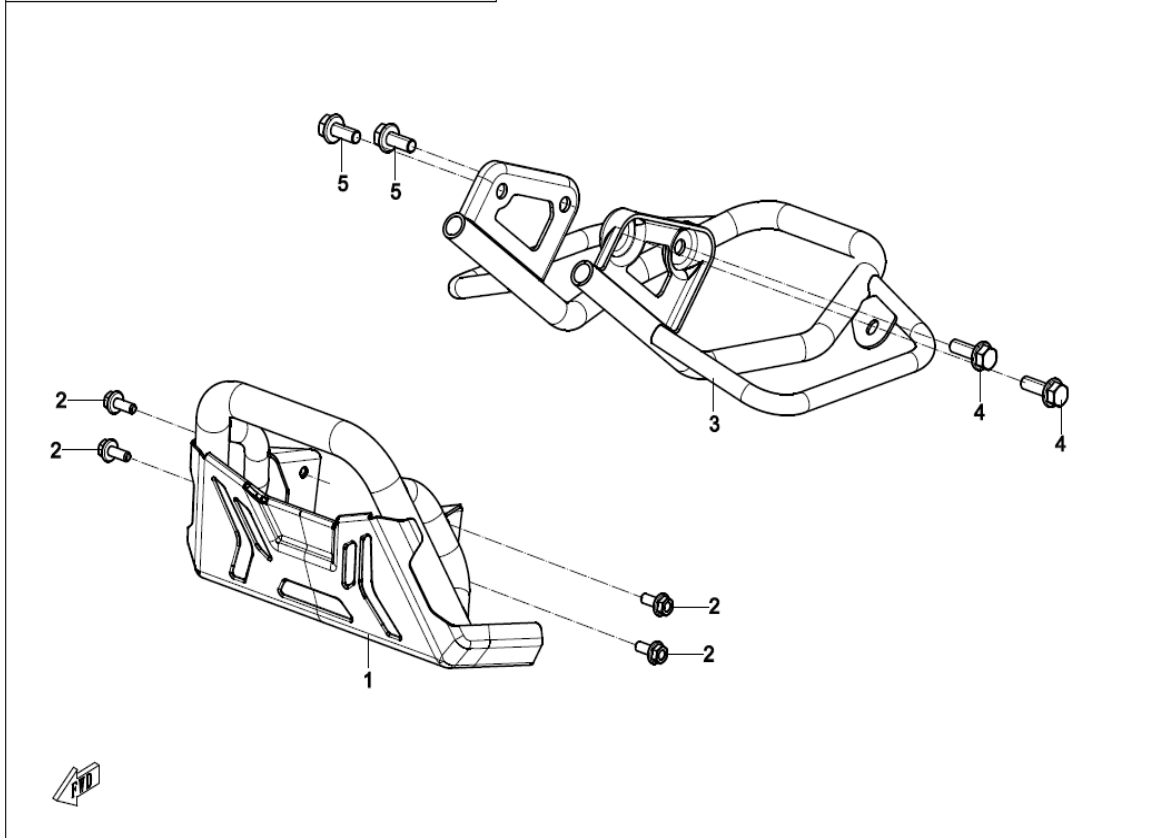
随车工具/TOOLS



F20 TOOLS

Item No.	Parts Number	Parts Name(EN)	Qty	Specification
01	9RHV-200100-1000	VEHICLE TOOLS	1	
02	TFQ002	PENCIL TIRE PRESSURE GAUGE	1	
03	9RHV-200200-1000	FIXING BAND	1	

保险杠/BUMPER

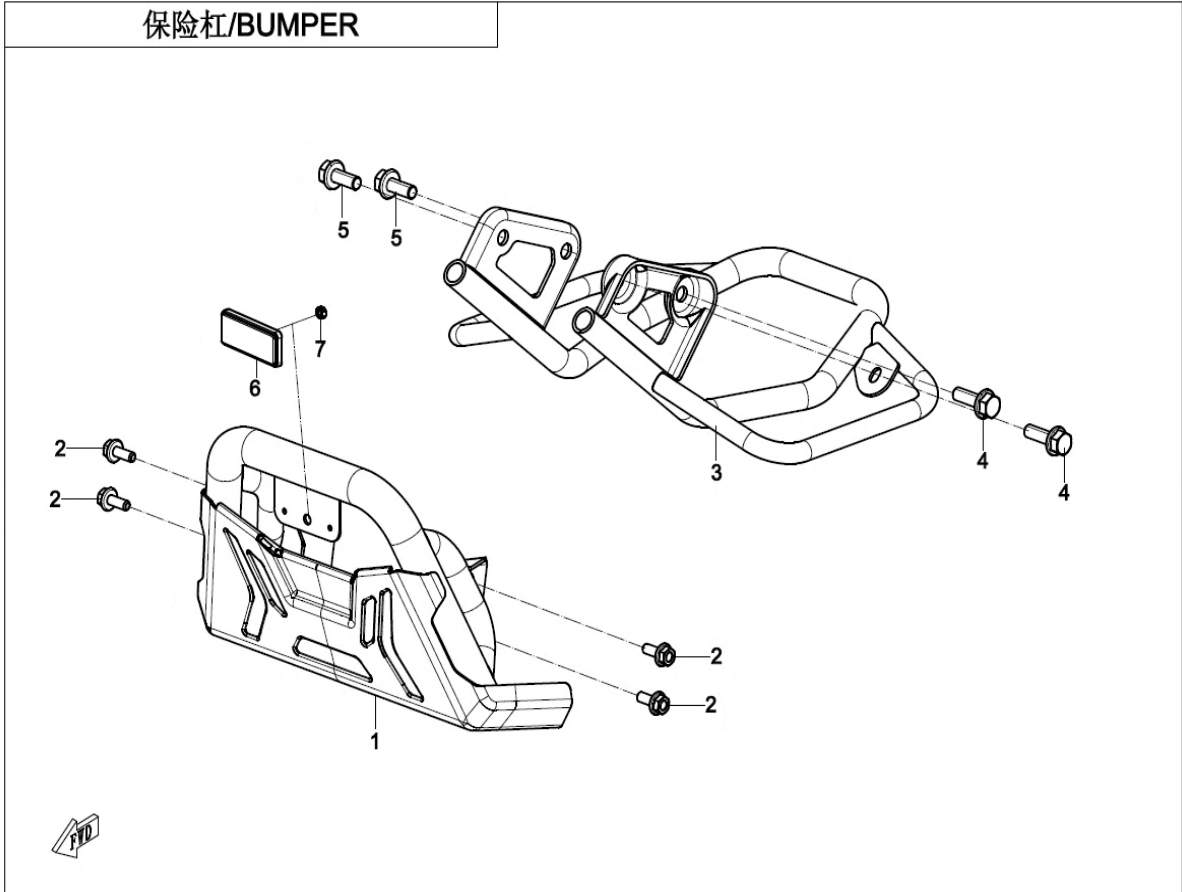


F23-A BUMPER

Item No.	Parts Number	Parts Name(EN)	Qty	Specification
01	9RHV-230100-1000	BUMPER	1	
02	30006-060012810	BOLT	4	M8x16
03	9RHV-230200-1000	REAR BUMPER	1	
04	30006-080025810	BOLT	2	M8x25
05	30006-080016810	BOLT M6x16	2	M6x16



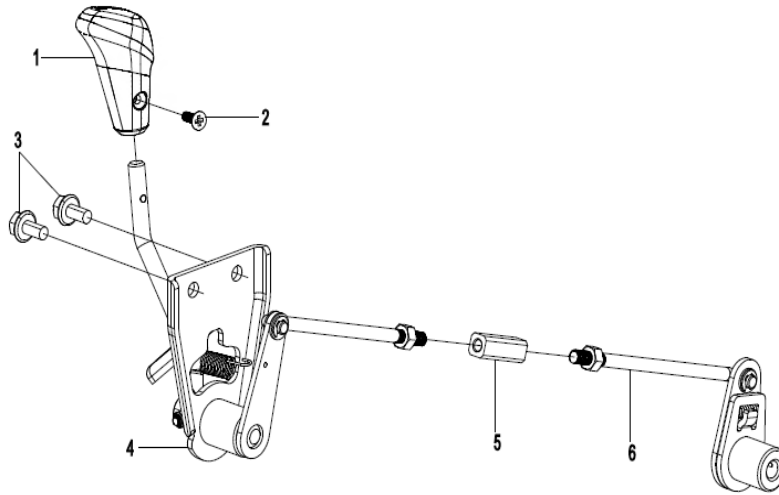
保险杠/BUMPER



F23-B BUMPER (WITH FRONT REFLECTOR)

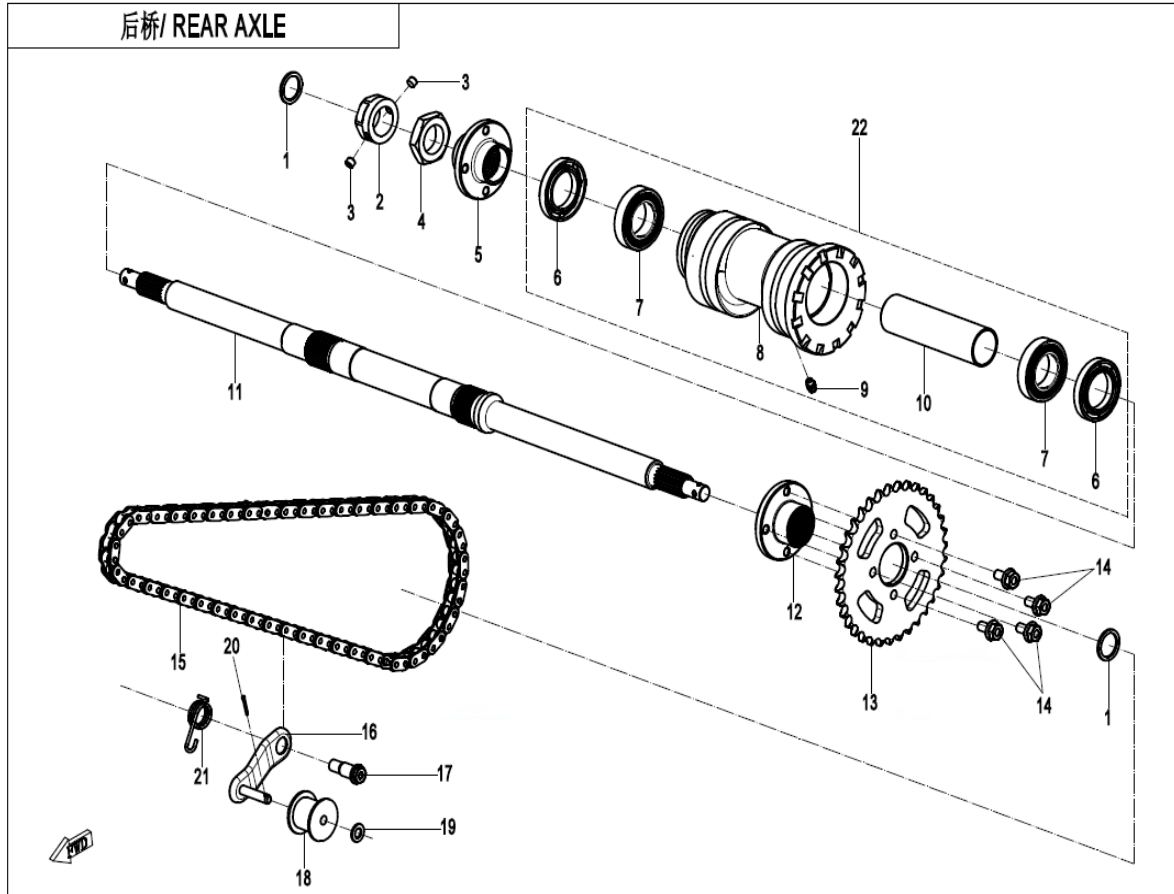
Item No.	Parts Number	Parts Name(EN)	Qty	Specification
01	9RHV-230100-3000	BUMPER ASSY	1	
02	30006-060012810	BOLT	4	M8x16
03	9RHV-230200-1000	REAR BUMPER	1	
04	30006-080025810	BOLT	2	M8x25
05	30006-080016810	BOLT M6x16	2	M6x16
06	9RHV-230910-3000	FRONT REFLECTOR	1	
07	30204-050810	NUT M5	1	M5

换挡机构/GEAR SHIFTING



F32 GEAR SHIFTING

Item No.	Parts Number	Parts Name(EN)	Qty	Specification
1	9RHV-321010-1000	GEARSHIFT BALL HEAD	1	
2	30004-040008450	BOLT M4×8	1	
3	30006-060012810	BOLT M6x12	2	M6x12
4	9RHV-321000-1000	GEARSHIFT ASSY	1	
5	9RHV-322000-1000	GEARSHIFT LEVER THREAD SLEEVE	1	
6	9RHV-323000-1000	GEARSHIFT ASSY	1	



### F33 REAR AXLE

Item No.	Parts Number	Parts Name(EN)	Qty	Specification
1	9RHV-330108-1000	LIMIT WASHER	2	
2	9RHV-330104-1000	LOCK NUT 2	1	
3	30123-050006810	SCREW	2	
4	9RHV-330102-1000	LOCK NUT 1	1	
5	9RHV-330105-1000	BRAKE DISC BRACKET	1	
6	30500-035800N	OIL SEAL	2	FB35x55x8
7	9RHV-330150-1000-21	DEEP GROOVE BALL BEARING 6006-2RS/P63	2	
8	9RHV-330106-1000	ECCENTRIC SHAFT	1	
9	9RHV-330150-1000-20	OIL NOZZLE	1	
10	9RHV-330101-1000	INNER SPACER	1	
11	9RHV-330103-1000	CORE SHAFT, REAR GEAR CASE	1	
12	9RHV-330107-1000	SPROCKET BRACKET	1	
13	9RHV-332001-1000	BIG SPROCKET	1	
14	30023-080016810	BOLT	4	M8x16
15	3120938	DRIVE CHAIN	1	
16	9RHV-332110-1000	TENSIONER BRACKET	1	
17	A000-030006	BOLT, SIDE STAND	1	
18	HH4V-332101-1000	TENSIONER	1	
19	30306-080112	WASHER	1	8
20	30903-0201610	COTTER PIN	1	2.0x16
21	9RHV-332102-1000	TENSIONER SPRING	1	
22	9RHV-330150-1000	ECCENTRIC SLEEVE	1	



# Youth ATV

## Owner's Manual

READ THIS  
MANUAL  
CAREFULLY

It contains important  
safety information.

Guardians should ensure that the rider can  
stably hold the handlebar and step on pedals.  
Passenger under 10 are prohibited.

### F38-B OWNER'S MANUAL (INTERNATIONAL)

Item No.	Parts Number	Parts Name(EN)	Qty	Specification
01	9RHV-380101-1000-12	OWNERS MANUAL	1	ENGLISH



# Youth ATV

## Ownre's Manual

**READ THIS  
MANUAL  
CAREFULLY**

It contains important  
safety information

Guardians should ensure that the rider can  
stably hold the handlebar and step on pedals.  
Passenger under 10 are prohibited.

### F38-C OWNER'S MANUAL (CE)

Item No.	Parts Number	Parts Name(EN)	Qty	Specification
01	9RHV-380101-3100-12	OWNERS MANUAL	1	CE ENGLISH



# Youth ATV

## Ownre's Manual

**READ THIS  
MANUAL  
CAREFULLY**

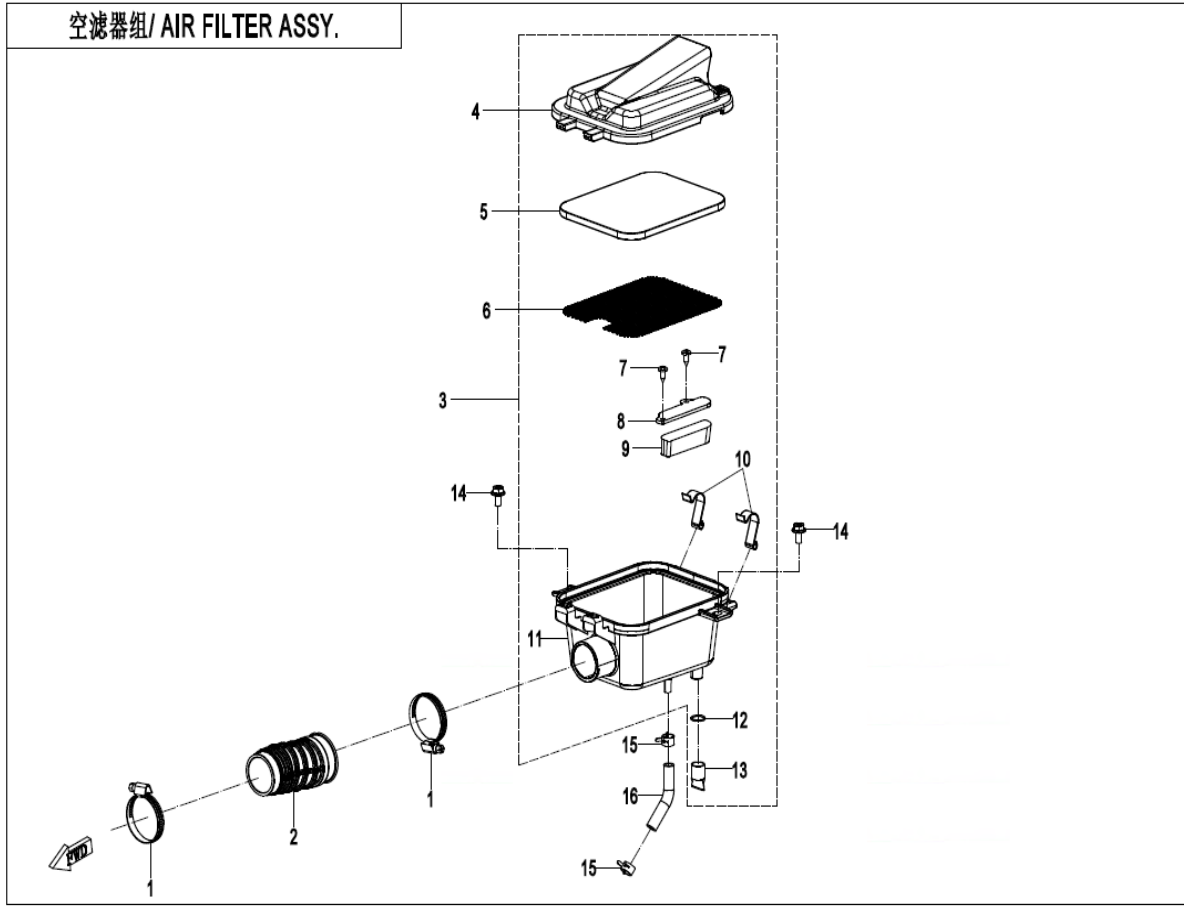
It contains important  
safety information

Guardians should ensure that the rider can  
stably hold the handlebar and step on pedals.  
Passenger under 10 are prohibited.

### F38-D OWNER'S MANUAL (NA)

Item No.	Parts Number	Parts Name(EN)	Qty	Specification
1	9RHV-380101-3000-13	OWNERS MANUAL	1	NORTH AMERICA

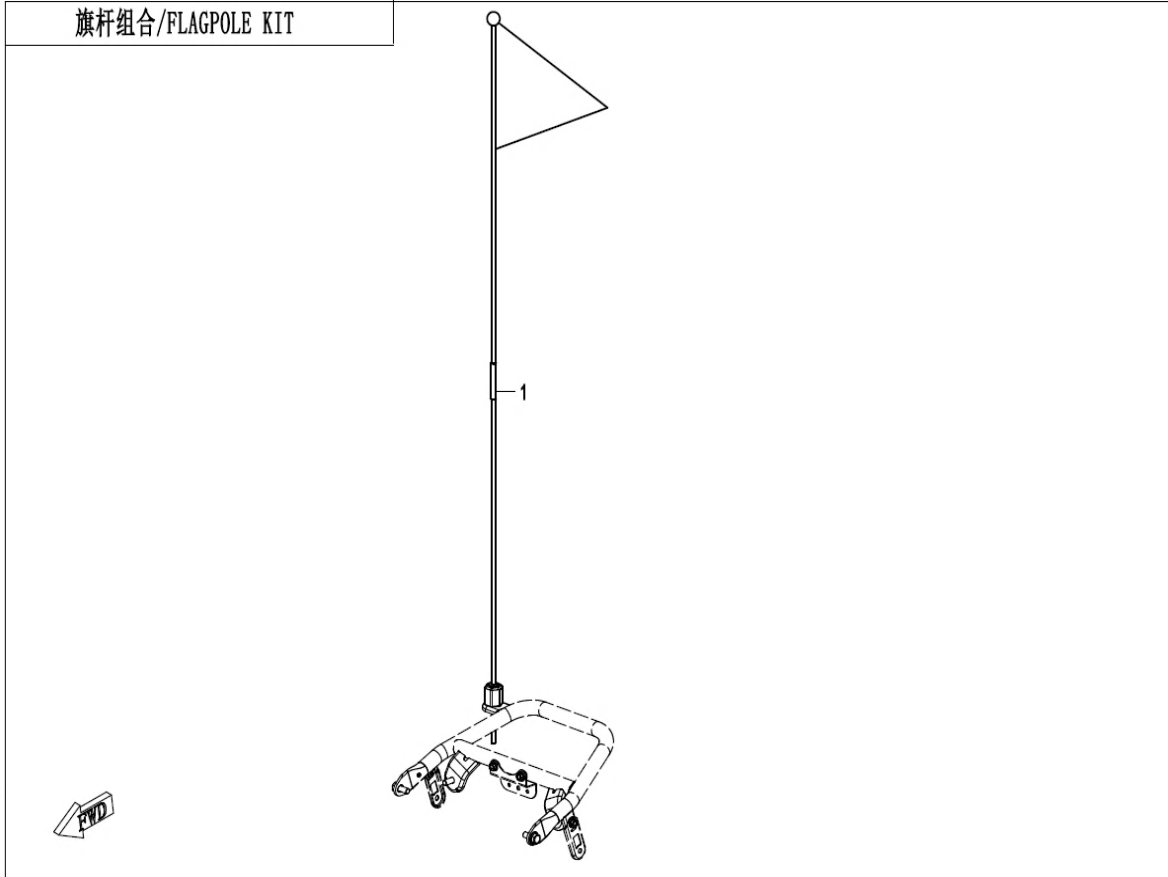
空滤器组/ AIR FILTER ASSY.



## F41 AIR FILTER

Item No.	Parts Number	Parts Name(EN)	Qty	Specification
1	30603-050000	CLAMP D50	2	D50
2	0UHV-111400-2000	AIR EXHAUST PIPE, AIR FILTER	1	
3	0UHV-111000-1000	AIR FILTER	1	
4	0UHV-111010-1000	AIR FILTER COVER	1	
5	0UHV-111020-1000	ELEMENT, AIR FILTER	1	
6	0UHV-111030-1000	WIRE FILTER, AIR FILTER	1	
7	30110-420130010	SCREW	2	ST4.2x13
8	0UHV-111060-1000	RESSURE PLATE, AIR FILTER ELEMEN	1	
9	0UHV-111070-1000	ELEMENT, AIR FILTER	1	
10	0UHV-111040-1000	STEEL BUCKLE	2	
11	0UHV-111050-1000	AIR FILTER HOUSING	1	
12	0UHV-111000-1000-21	CLAMP	1	
13	0UHV-111000-1000-20	OVERFLOW HOSE	1	
14	30006-060016810	BOLT M6x16	2	M6x16
15	30601-210530	CLAMP B10.5	2	B10.6
16	0UHV-025005-1000	EXHAUST PIPE	1	

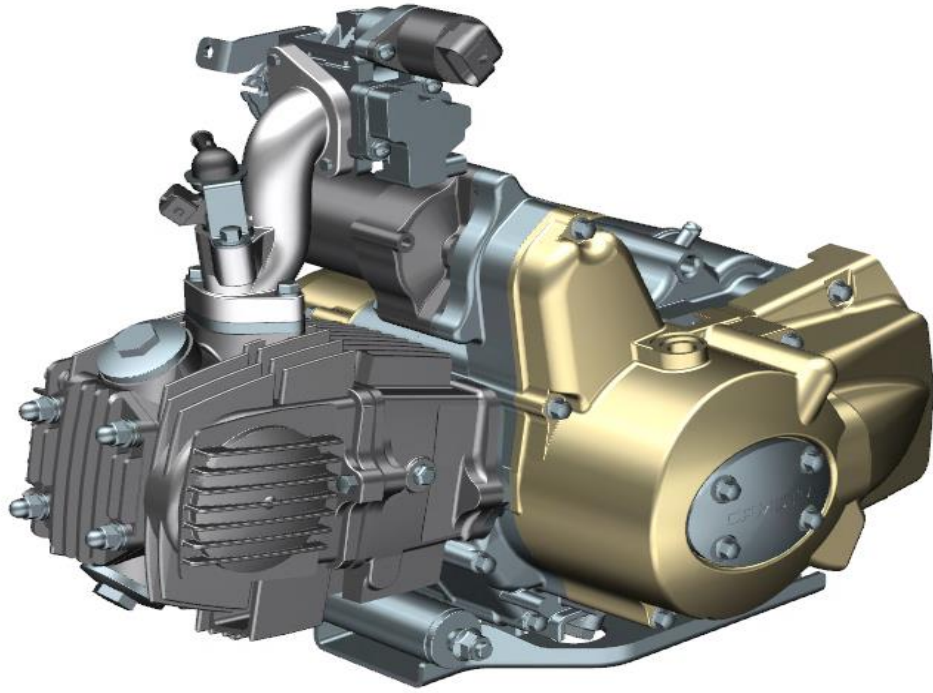
旗杆组合/FLAGPOLE KIT



### F80 FLAGPOLE KIT

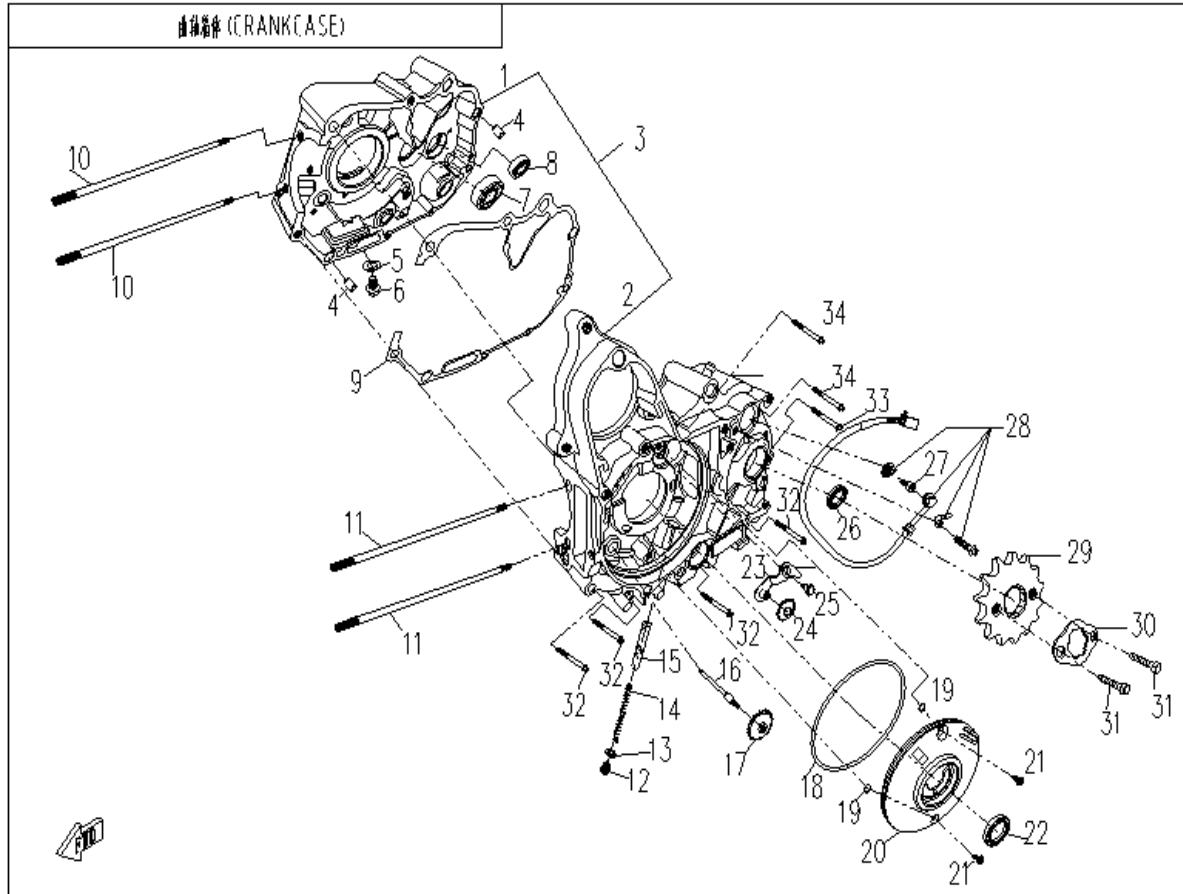
Item No.	Parts Number	Parts Name(EN)	Qty	Specification
01	HH40-801100-1000	FLAGPOLE KIT	1	





## E00 1P52YH-2 ENGINE

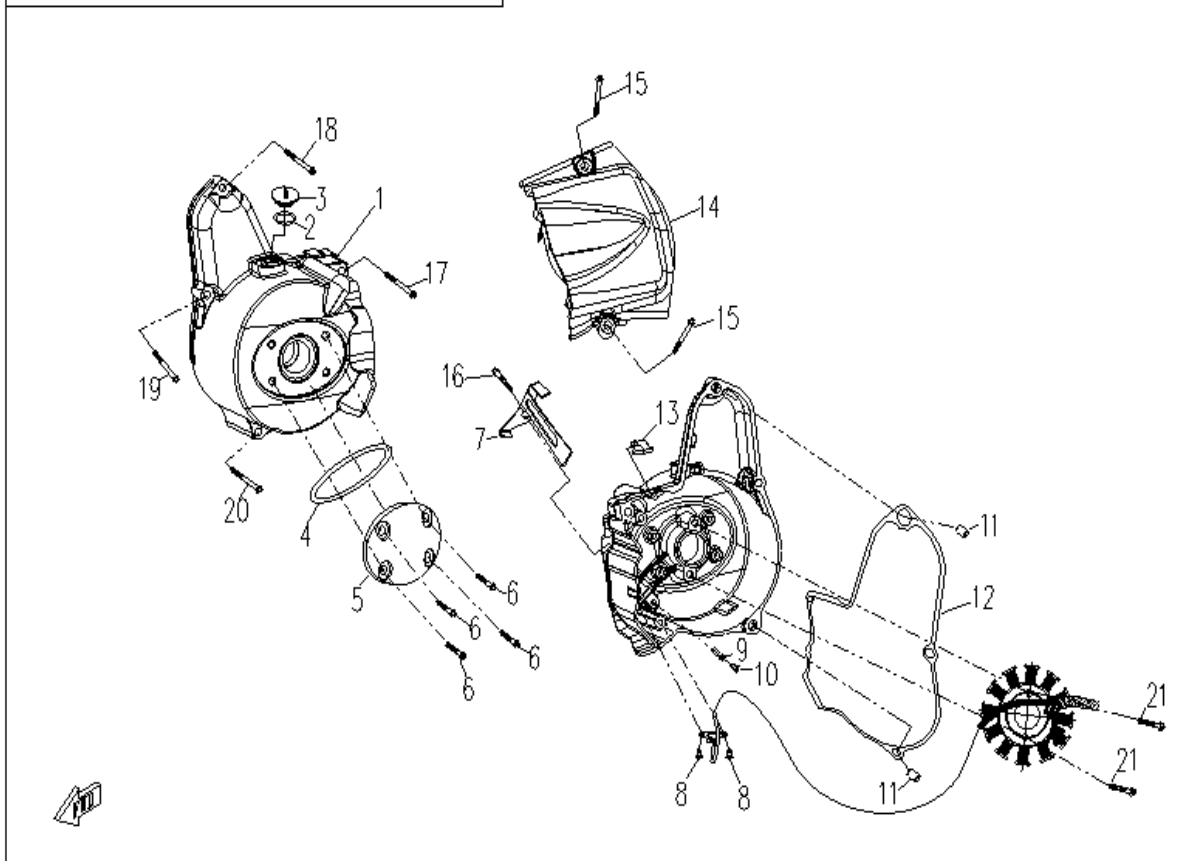
Item No.	Parts Number	Parts Name(EN)	Qty	Specification
01	0UHV-000000-2000	ENGINE(1P52YH-2)	1	



### E01-1 CRANKCASE

Item No.	Parts Number	Parts Name(EN)	Qty	Specification
1	L-110080477-0001	RH CRANKCASE	1	
2	L-110030662-0001	LH CRANKCASE	1	
3	L-500270580-0002	CRANKCASE ASSY	1	
4	L-380600001-0001	DOWEL PIN	2	Q/LX G 8.18@A TYPE@d=10@L=14
5	L-380450018-0003	FLAT WASHER	1	ID=12@OD=20@THICKNESS 2
6	L-110260003-0006	SEAL SCREW PLUG	1	24A0@M12×1.5@BLUE-WHITE ZINC-PLATE
7	L-380630002-0001	BEARING	1	GB/T 276@6203
8	L-380630033-0001	BEARING	1	GB/T 276@6201/Z2
9	L-110100055-0001	GASKET, CRANKCASE	1	
10	L-110250011-0001	STUD B	2	28A0@M6×196
11	L-110240014-0001	STUD A	2	28A0@M6×204
12	L-110260004-0004	SEAL SCREW PLUG	1	31A0@M14×1.5@BLUE-WHITE ZINC-PLATE
13	L-380450054-0001	FLAT WASHER	1	ID=14@OD=20@THICKNESS 2
14	L-381150030-0001	PRESS SPRING	1	
15	L-141080001-0001	TENSION ROD, CHAIN	1	
16	L-150130001-0001	SPROCKET SHAFT, OIL PUMP	1	
17	L-150150001-0001	OIL PUMP DRIVE WHEEL	1	
18	L-380840055-0001	SEAL RING	1	D=107@d=2.0
19	L-380840682-0001	SEAL RING	2	D=5.7@d=1.9
20	L-110310006-0001	COVER	1	
21	L-380220010-0001	BOLT	2	GB/T 819.1@M6@L=16@COLOR ZINC-PLATED
22	L-380650054-0001	OIL SEAL	1	
23	L-141160001-0001	TENSION ARM, CHAIN	1	
24	L-141210001-0001	TENSION WHEEL, CHAIN	1	
25	L-141200001-0001	CORE SHAFT, TENSION ARM	1	
26	L-380650061-0001	OIL SEAL	1	
27	L-380190005-0002	INNER HEX BOLT	1	GB/T 70.1@M6@L=16@COLOR ZINC-PLATED
28	L-270650121-0001	GEAR DISPLAY SWITCH	1	
29	L-191600016-0001	DRIVE SPROCKET, COUNTERSHAFT	1	
30	L-191610002-0001	COUNTERSHAFT DRIVE SPROCKET FIXING	1	
31	L-380070004-0001	HEX BOLT	2	M6@L=8@COLOR ZINC-PLATED
32	L-380140057-0005	HEX FLANGE BOLT	4	24A0@M6@L=65@BLUE-WHITE ZINC-PLATE
33	L-380140020-0003	HEX FLANGE BOLT	1	24A0@M6@L=50@BLUE-WHITE ZINC-PLATE
34	L-380140032-0005	HEX FLANGE BOLT	2	24A0@M6@L=60@BLUE-WHITE ZINC-PLATE

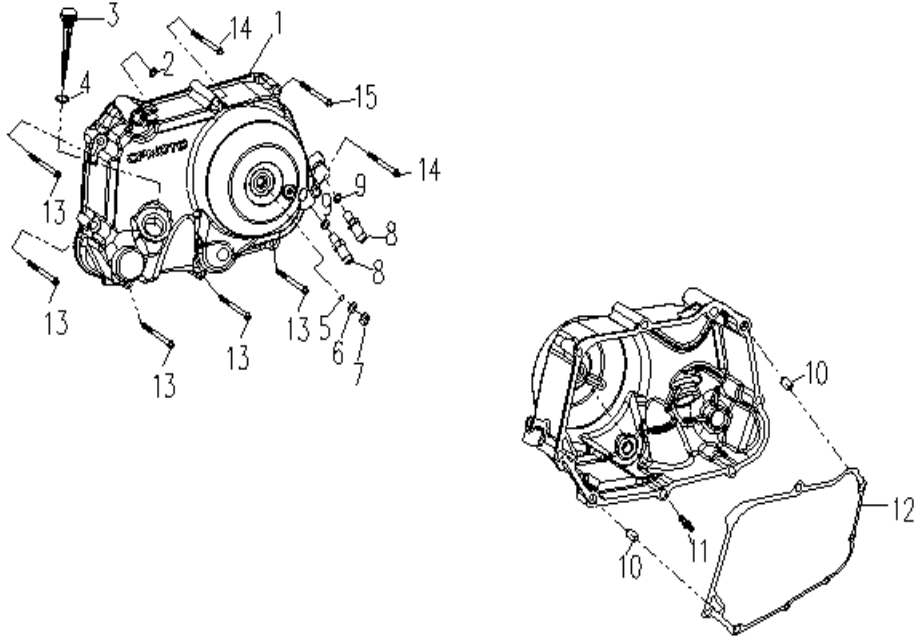
### LEFT CRANKCASE COVER



### E01-2 LEFT CRANKCASE COVER

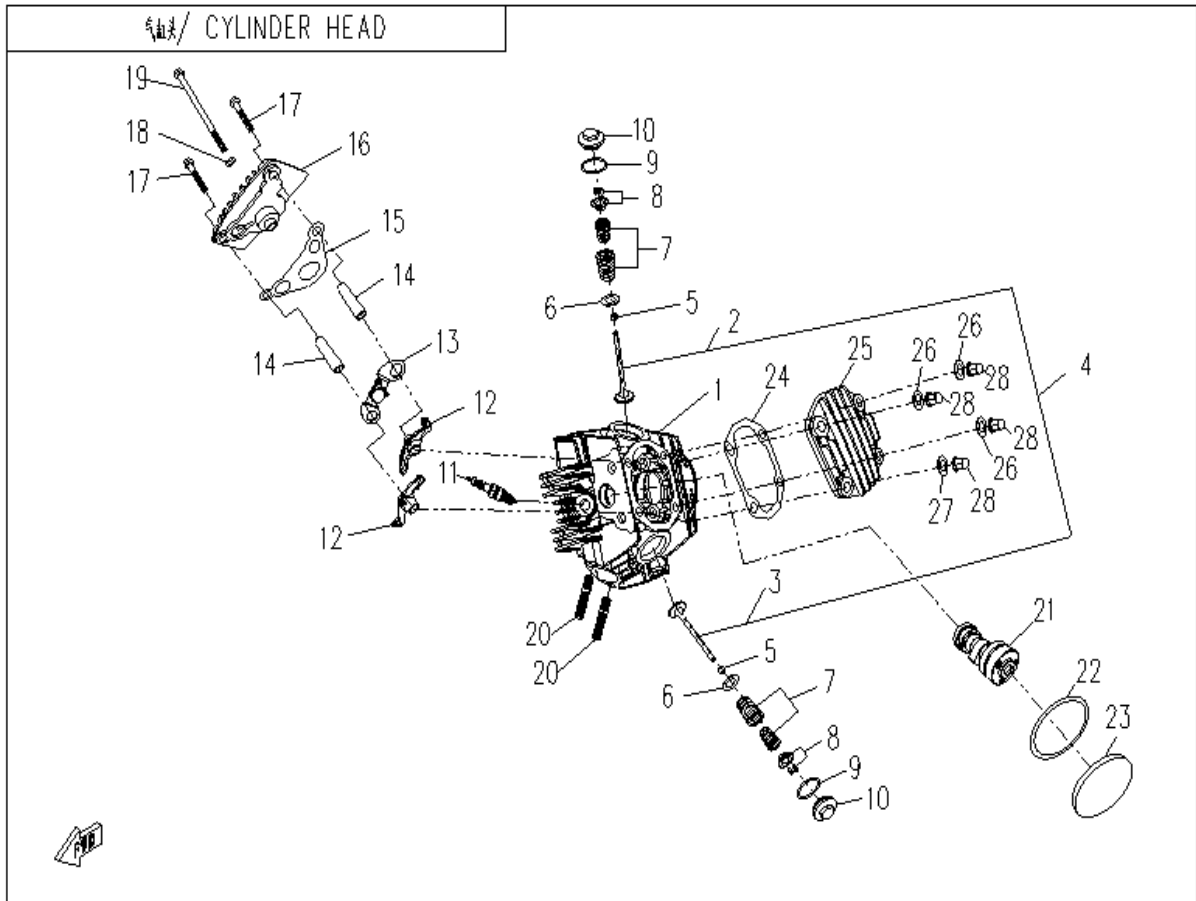
Item No.	Parts Number	Parts Name(EN)	Qty	Specification
1	L-110400026-0043	LH FRONT COVER	1	
2	L-380840026-0001	SEAL RING	1	D=13.8@d=2.5
3	L-110440001-0060	PLUG, INSPECTION HOLE	1	
4	L-380840005-0001	SEAL RING	1	D=27.4@d=2.4
5	L-110430002-3449	LH DECO COVER	1	
6	L-380140026-0006	HEX FLANGE BOLT	4	24A0@M6@L=12@BLUE-WHITE ZINC-PLATE
7	L-110480043-0001	PRESS PLATE	1	
8	L-380200006-0005	BOLT	2	GB/T 818@M5@L=12@BLUE-WHITE ZINC-PLATED
9	L-110480005-0001	PRESS PLATE	1	
10	L-380200060-0003	BOLT	1	GB/T 818@M5@L=6@BLUE-WHITE ZINC-PLATED
11	L-380600012-0001	DOWEL PIN	2	Q/LX G 8.18@A TYPE@d=8@L=12
12	L-110420022-0001	GASKET, LH FRONT COVER	1	
13	L-110500004-0001	RUBBER PLUG	1	
14	L-110520911-0002	LH REAR COVER	1	
15	L-380140017-0005	HEX FLANGE BOLT	2	24A0@M6@L=28@BLUE-WHITE ZINC-PLATE
16	L-380140002-0002	HEX FLANGE BOLT	1	M6@L=16@COLOR ZINC-PLATED
17	L-380140020-0003	HEX FLANGE BOLT	1	24A0@M6@L=50@BLUE-WHITE ZINC-PLATE
18	L-380140068-0004	HEX FLANGE BOLT	1	24A0@M6@L=32@BLUE-WHITE ZINC-PLATE
19	L-380140017-0005	HEX FLANGE BOLT	1	24A0@M6@L=28@BLUE-WHITE ZINC-PLATE
20	L-380140147-0005	HEX FLANGE BOLT	1	24A0@M6@L=70@BLUE-WHITE ZINC-PLATE
21	L-380140016-0002	HEX FLANGE BOLT	2	M6@L=25@COLOR ZINC-PLATED

RIGHT CRANKCASE COVER



E01-3 RIGHT CRANKCASE COVER

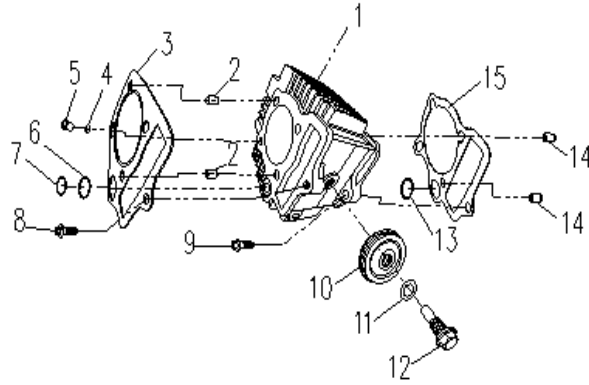
Item No.	Parts Number	Parts Name(EN)	Qty	Specification
1	L-110601001-0002	RH CRANKCASE COVER	1	
2	L-380650946-0001	OIL SEAL	1	
3	L-110700007-0003	OIL DIPSTICK	1	
4	L-380840006-0001	SEAL RING	1	D=18@d=3-3.5
5	L-380840064-0001	SEAL RING	1	D=7.5@d=1.8
6	L-380450154-0001	FLAT WASHER	1	ID=8@OD=14@THICKNESS 2.5
7	L-380340005-0005	NUT	1	GB/T 6170@M8@BLUE-WHITE ZINC-PLATED
8	L-380780351-0001	JOINT	2	
9	L-380450101-0001	FLAT WASHER	2	ID=8@OD=14@THICKNESS 1
10	L-380600012-0001	DOWEL PIN	2	Q/LX G 8.18@A TYPE@d=8@L=12
11	L-190890005-0002	ADJUSTING BOLT, CLUTCH CLEARANCE	1	31AC@L=40@BLUE-WH
12	L-110620032-0001	GASKET, RH CRANKCASE	1	
13	L-380140019-0006	HEX FLANGE BOLT	5	24A0@M6@L=40@BLUE-WHITE ZINC-PLATE
14	L-380140059-0005	HEX FLANGE BOLT	2	24A0@M6@L=80@BLUE-WHITE ZINC-PLATE
15	L-380140057-0005	HEX FLANGE BOLT	1	24A0@M6@L=65@BLUE-WHITE ZINC-PLATE



### E02-1 CYLINDER HEAD

Item No.	Parts Number	Parts Name (EN)	Qty	Specification
1	L-120080928-0004	CYLINDER HEAD	1	
2	L-140300081-0001	INTAKE VALVE	1	
3	L-140310083-0001	EXHAUST VALVE	1	
4	L-500550072-0001	VALVE ASSY	1	
5	L-140400002-0001	OIL DRIP PAN	2	
6	L-140370002-0001	VALVE OUTER SPRING SEAT	2	
7	L-140330010-0001	VALVE SPRING ASSY	2	
8	L-500730002-0001	CLIP ASSY, VALVE SPRING SEAT	2	
9	L-380840132-0001	SEAL RING	2	D=30.8@d=3.2
10	L-120280003-0018	VALVE COVER	2	
11	L-270960072-0001	SPARK PLUG	1	
12	L-140450003-0001	VALVE SWING ARM ASSY	2	
13	L-140200001-0001	STOPPER PLATE, CYLINDER HEAD	1	
14	L-140510002-0001	VALVE SWING ARM SHAFT	2	
15	L-120370003-0001	GASKET, RH SIDE COVER, CYLINDER HEAD	1	
16	L-120350004-0020	RH SIDE COVER, CYLINDER HEAD	1	
17	L-380140021-0006	HEX FLANGE BOLT	2	24A0@M6@L=22@BLUE-WHITE ZINC-PLATE
18	L-380450021-0001	FLAT WASHER	1	ID=6@OD=13@THICKNESS 2
19	L-380140066-0005	HEX FLANGE BOLT	1	A TAPE@M6@L=110@BLUE-WHITE ZINC-PL
20	L-380180005-0004	STUD	2	24A0@M6@TOTAL LENGTH=40@EXPOSED LENGTH=25@BLU
21	L-140020004-0001	CAMSHAFT ASSY	1	
22	L-120310006-0001	GASKET, LH SIDE COVER, CYLINDER HEAD	1	
23	L-120300002-0010	LH SIDE COVER, CYLINDER HEAD	1	
24	L-120250010-0001	GASKET, CYLINDER HEAD	1	
25	L-120230007-0020	COVER, CYLINDER HEAD	1	
26	L-380540017-0001	CIRCLIP	3	
27	L-380450053-0001	FLAT WASHER	1	ID=6@OD=13@THICKNESS 2
28	L-380330018-0004	NUT	4	B TYPE@M6@H=14@BLUE-WHITE ZINC-PLATED

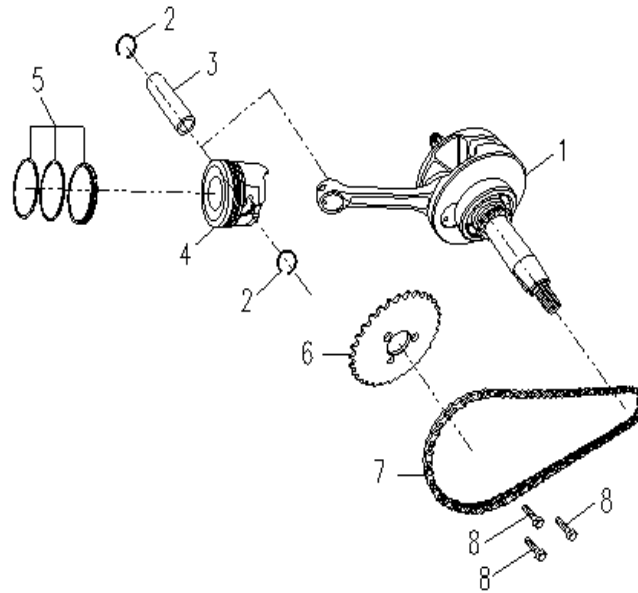
气缸/ CYLINDER BODY



E02-2 CYLINDER BOD

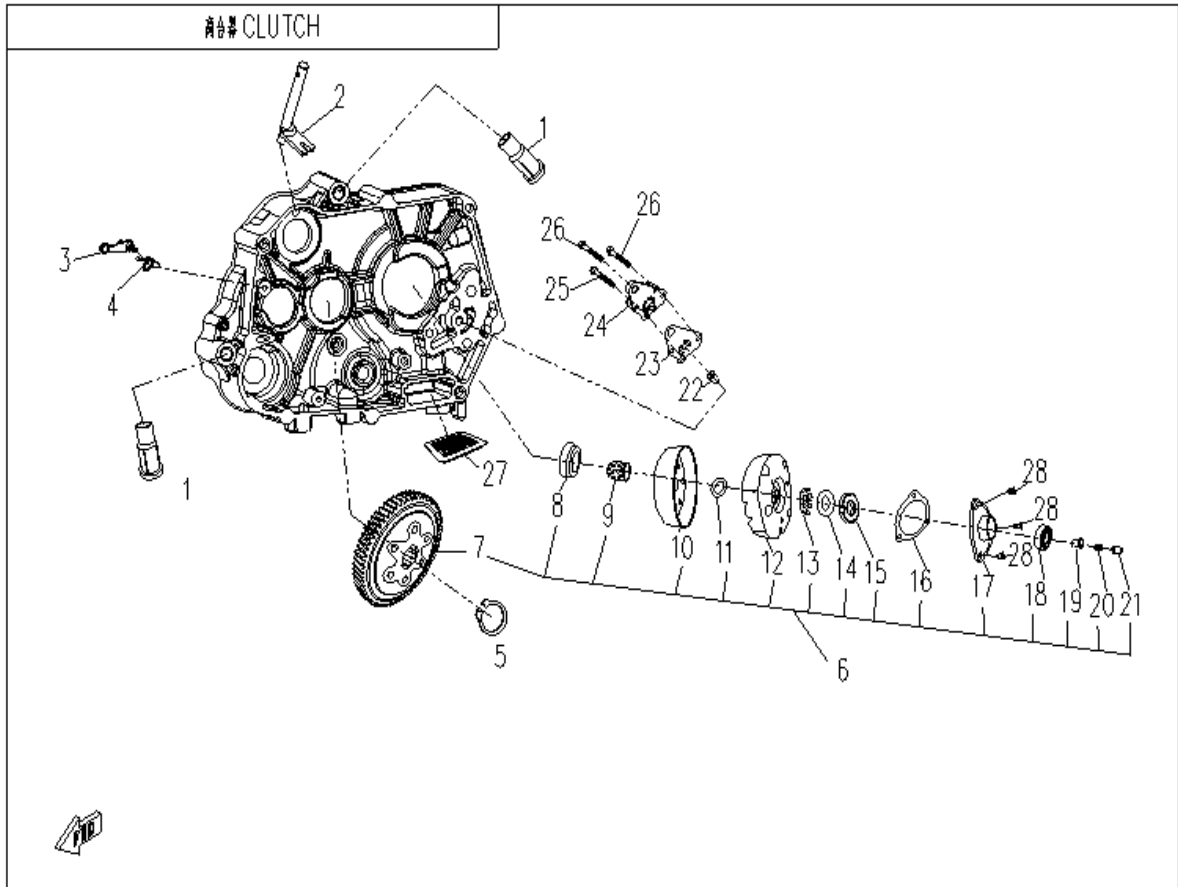
Item No.	Parts Number	Parts Name(EN)	Qty	Specification
1	L-120020007-0001	CYLINDER BODY	1	
2	L-380600002-0001	DOWEL PIN	2	Q/LX G 8.18@A TYPE@d=8@L=14
3	L-120150057-0001	GASKET,CYLINDER HEAD	1	
4	L-380840047-0001	SEAL RING	1	D=11.7@d=1.5
5	L-380820090-0001	BUSHING	1	31A0@OD=8@ID=7.2@L=10
6	L-380840045-0001	SEAL RING	1	D=18.5@d=2.4
7	L-380820089-0001	BUSHING	1	31A0@OD=14.8@ID=11.5@L=1.8
8	L-380040003-0004	HEX BOLT	1	M6@L=23@BLUE-WHITE ZINC-PLATED
9	L-380040011-0001	HEX BOLT	1	M6@L=20@BLUE-WHITE ZINC-PLATED
10	L-141240001-0001	GUIDE WHEEL, CHAIN	1	
11	L-380450056-0001	FLAT WASHER	1	ID=8@OD=14@THICKNESS 1.5
12	L-141270001-0005	PIN SHAFT, GUIDE WHEEL	1	
13	L-380840046-0001	SEAL RING	1	D=15.7@d=2.4
14	L-380600012-0001	DOWEL PIN	2	Q/LX G 8.18@A TYPE@d=8@L=12
15	L-120050044-0001	GASKET,CYLINDER BODY	1	

※※/※※PISTON/CRANKSHAFT COMP



### E04 PISTON & CRANKSHAFT COMP

Item No.	Parts Number	Parts Name(EN)	Qty	Specification
1	L-130140005-0001	CRANKSHAFT ASSY	1	
2	L-380560006-0001	CIRCLIP	2	
3	L-130060004-0001	PISTON PIN	1	
4	L-130030152-0001	PISTON	1	
5	L-130070019-0001	PISTON RING ASSY	1	
6	L-140580002-0001	TIMING DRIVEN SPROCKET	1	
7	L-140610001-0001	TIMING CHAIN	1	
8	L-140590001-0002	TIMING BOLT	3	M5×12

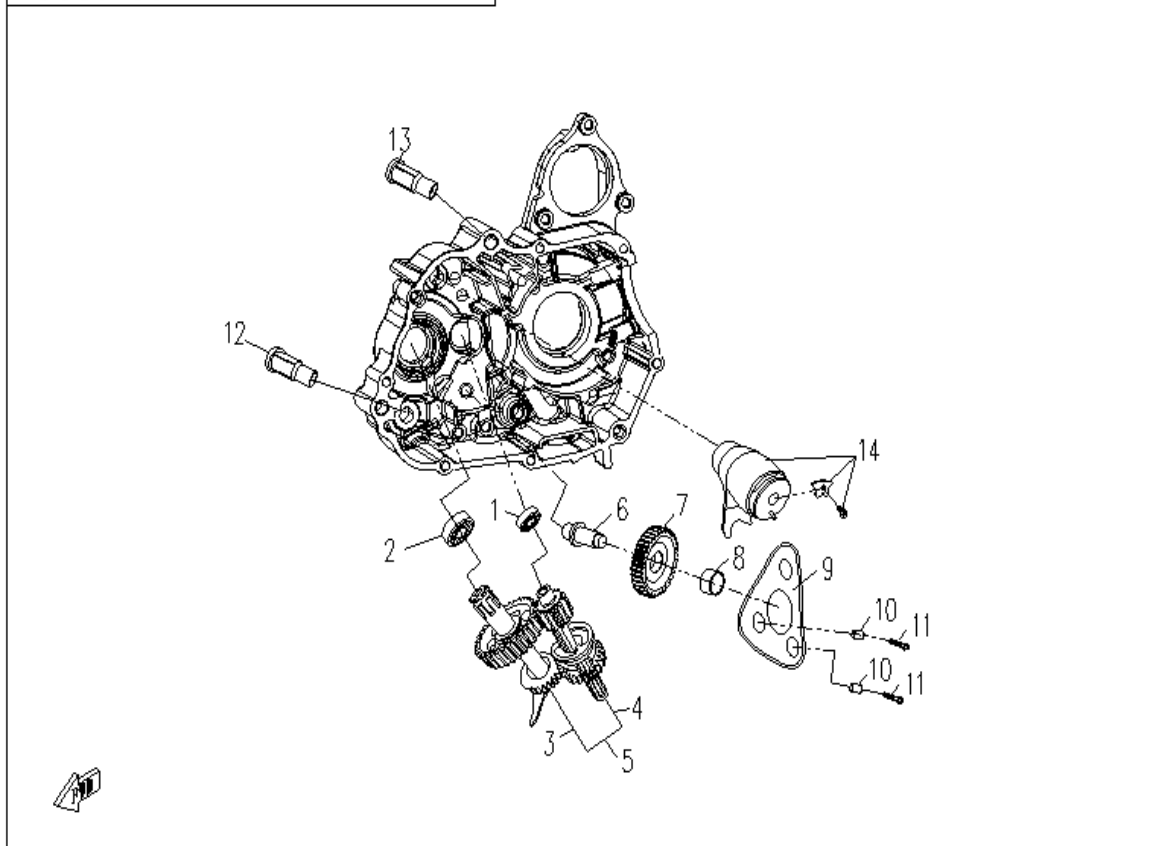


### E05 CLUTCH

Item No.	Parts Number	Parts Name(EN)	Qty	Specification
1	L-110290001-0001	DAMPER	2	
2	L-192330089-0001	GEARSHIFT SHAFT	1	
3	L-192190004-0001	STOPPER PLATE	1	
4	L-381160028-0001	TORSTON SPRING	1	
5	L-380570004-0001	CIRCLIP	1	d=15.5@THICKNESS 1.2
6	L-500280450-0001	CLUTCH ASSY	1	
7	L-190360016-0001	PRIMARY DRIVEN GEAR	1	
8	L-380820076-0001	BUSHING	1	31A0@OD=26@ID=17@L=8.5
9	L-380820077-0001	BUSHING	1	31A0@OD=21@ID=17@L=20.6
10	L-190100018-0001	PRIMARY CLUTCH HOUSING	1	
11	L-380451541-0001	PLAIN WASHER	1	ID=17@OD=32@THICKNESS 2
12	L-190180021-0001	PRIMARY CLUTCH SHOE ASSY	1	
13	L-194090003-0001	NUT WASHER, CLUTCH	1	
14	L-380480002-0001	WASHER	1	
15	L-380810006-0001	NUT	1	
16	L-190310008-0001	CLUTCH COVER GASKET	1	
17	L-190300009-0001	PRIMARY CLUTCH COVER	1	
18	L-380630024-0001	BEARING	1	
19	L-150430002-0001	OIL TUBE	1	
20	L-381150032-0001	SPRING	1	
21	L-150520002-0001	OIL TUBE	1	
22	L-380820093-0001	BUSHING	1	31A0@OD=9@ID=5.5@L=14
23	L-150140001-0001	GASKET, OIL PUMP	1	
24	L-150010071-0001	OIL PUMP ASSY	1	
25	L-380200021-0001	BOLT	1	GB/T 818@M6@L=22@COLOR ZINC-PLATED
26	L-380200015-0001	BOLT	2	GB/T 818@M6@L=16@COLOR ZINC-PLATED
27	L-150290002-0001	OIL STRAINER	1	
28	L-380200014-0004	SCREW	3	



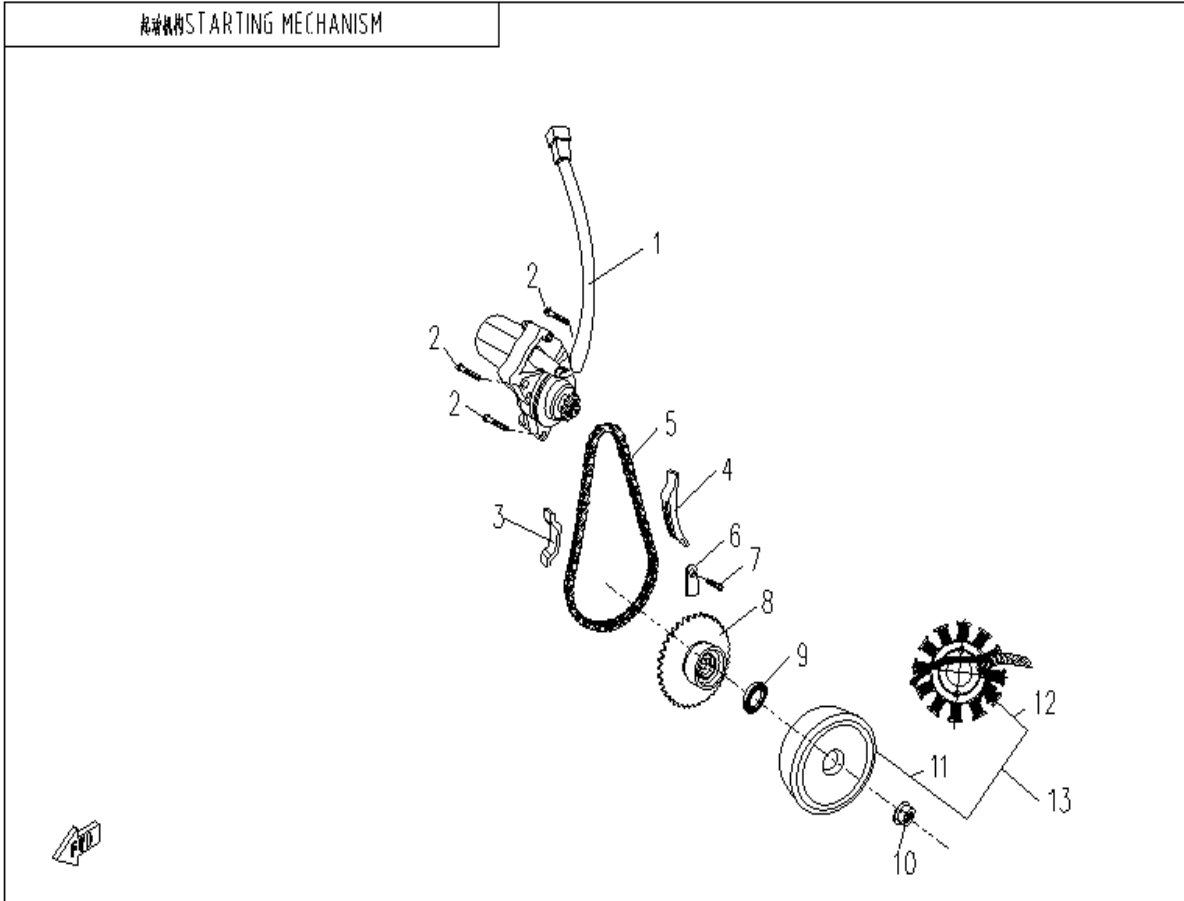
换挡变速系统 / TRANSMISSION SYSTEM



E06 TRANSMISSION SYSTEM

Item No.	Parts Number	Parts Name(EN)	Qty	Specification
1	L-380630013-0001	BEARING	1	GB/T 276@6001
2	L-380630002-0001	BEARING	1	GB/T 276@6203
3	L-191390078-0001	COUNTERSHAFT	1	
4	L-191250028-0001	MAIN SHAFT ASSY	1	
5	L-500290076-0001	MAIN SHAFT, COOUNTER SHAFT ASSY	1	
6	L-191830001-0001	IDEL GEAR SHAFT	1	
7	L-191770002-0001	REVERSE DRIVE WHEEL	1	
8	L-380820624-0001	BUSHING	1	
9	L-191820001-0001	PRESS PLATE, IDEL GEAR	1	
10	L-380600012-0001	DOWEL PIN	2	Q/LX G 8.18@A TYPE@d=8@L=12
11	L-380140015-0006	HEX FLANGE BOLT	2	24A0@M6@L=20@BLUE-WHITE ZINC-PLATE
12	L-110290001-0001	DAMPER	1	
13	L-110290004-0001	DAMPER	1	
14	L-192060132-0001	SHIFT DRUM ASSY	1	

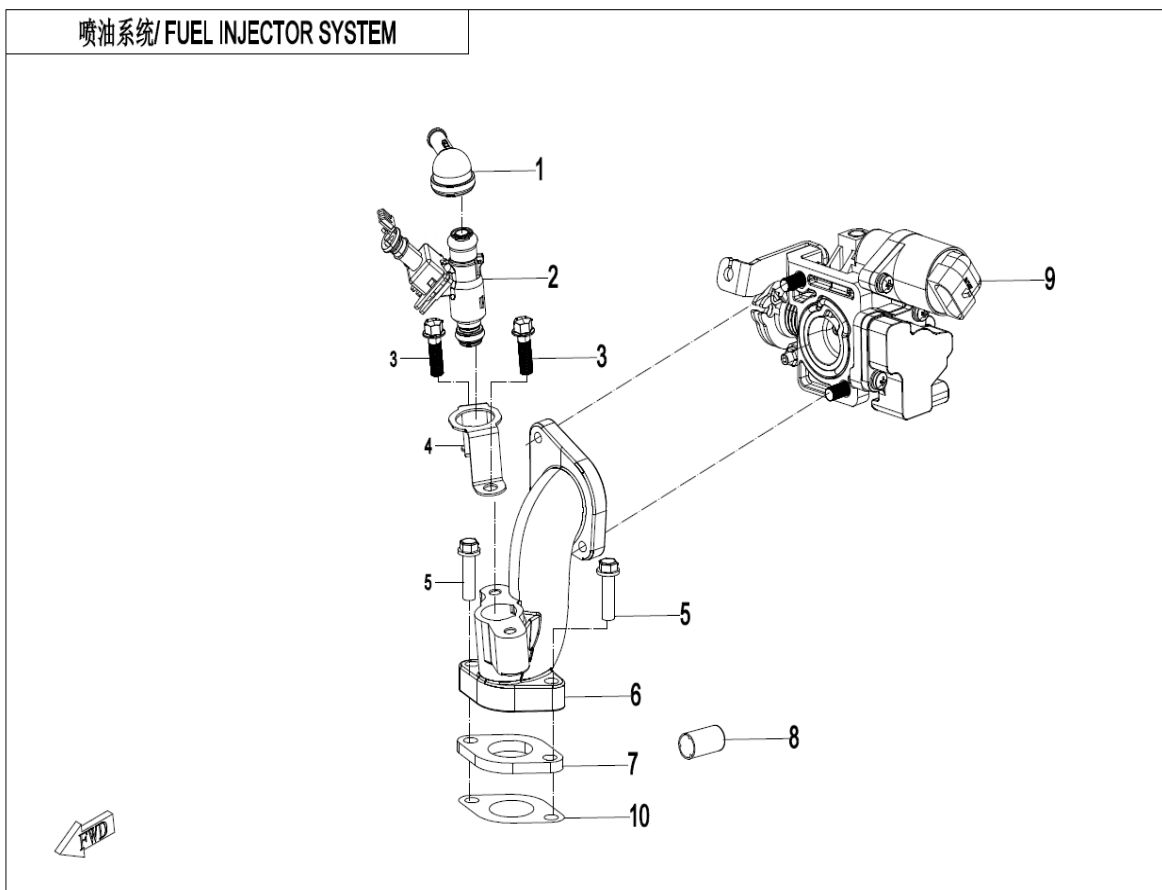
起动机 STARTING MECHANISM



E09 STARTING MECHANISM

Item No.	Parts Number	Parts Name(EN)	Qty	Specification
1	L-270350033-0015	STARTER MOTOR ASSY	1	
2	L-380140017-0005	HEX FLANGE BOLT	3	24A0@M6@L=28@BLUE-WHITE ZINC-PLATE
3	L-140910001-0001	TENSION PLATE, CHAIN	1	
4	L-141000001-0001	CHAIN GUIDE	1	
5	L-193270001-0001	STARTER CHAIN	1	
6	L-193290001-0001	PRESS PLATE,DRIVEN PULLEY,ELECTRIC START	1	
7	L-380140026-0003	HEX FLANGE BOLT	1	M6@L=12@COLOR ZINC-PLATED
8	L-193170022-0001	DRIVEN PULLEY ASSY, ELECTRIC START	1	
9	L-380650056-0001	OIL SEAL	1	31A0@d=18.9@D=30@b=5
10	L-380370011-0001	NUT	1	31A0@M10×1.25@OLOR ZINC-PLATED
11	L-270020585-0001	MAGNETO ROTOR ASSY	1	
12	L-270100341-0005	MAGNETO STATOR ASSY	1	
13	L-270010491-0005	MAGNETO ASSY	1	

喷油系统/ FUEL INJECTOR SYSTEM



### E17 FUEL INJECTION SYSTEM

Item No.	Parts Number	Parts Name(EN)	Qty	Specification
1	0UHV-170010-2000	CAP, FUEL INJECTOR	1	
2	0UHV-171000-2000	FUEL INJECTOR	4	
3	30006-060012810	BOLT M6x12	2	M6x12
4	0UHV-170020-2000	BRACKET, FUEL INJECTOR CAP	1	
5	30006-080012810	BOLT M8x12	2	M8x12
6	0UHV-201001-2000	MAIN AIR INLET PIPE	1	
7	0UHV-201004-2000	HEAT INSULATOR, AIR INLET PIPE	1	
8	0UHV-170100-2000	TANK TEMP. SENSOR	1	
9	0UHV-173000-2000	THROTTLE BODY	1	
10	L-170430035-0001	GASKET, CARBURETOR	1	