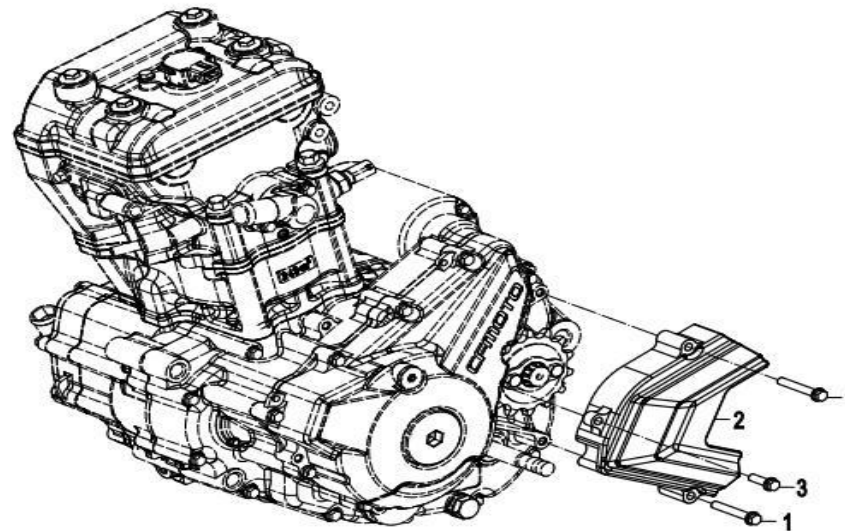


## F00 ENGINE FITTINGS

Item No.	Parts Number	Parts Name(EN)	Qty	Specification
01	0010-013009-0010	BOLT M6x40	2	M6x40
02	0DM0-014100	REAR COVER ASSY, LH	1	
03	0010-023010-0010	BOLT M6x20	1	M6x20

### ENGINE FITTINGS

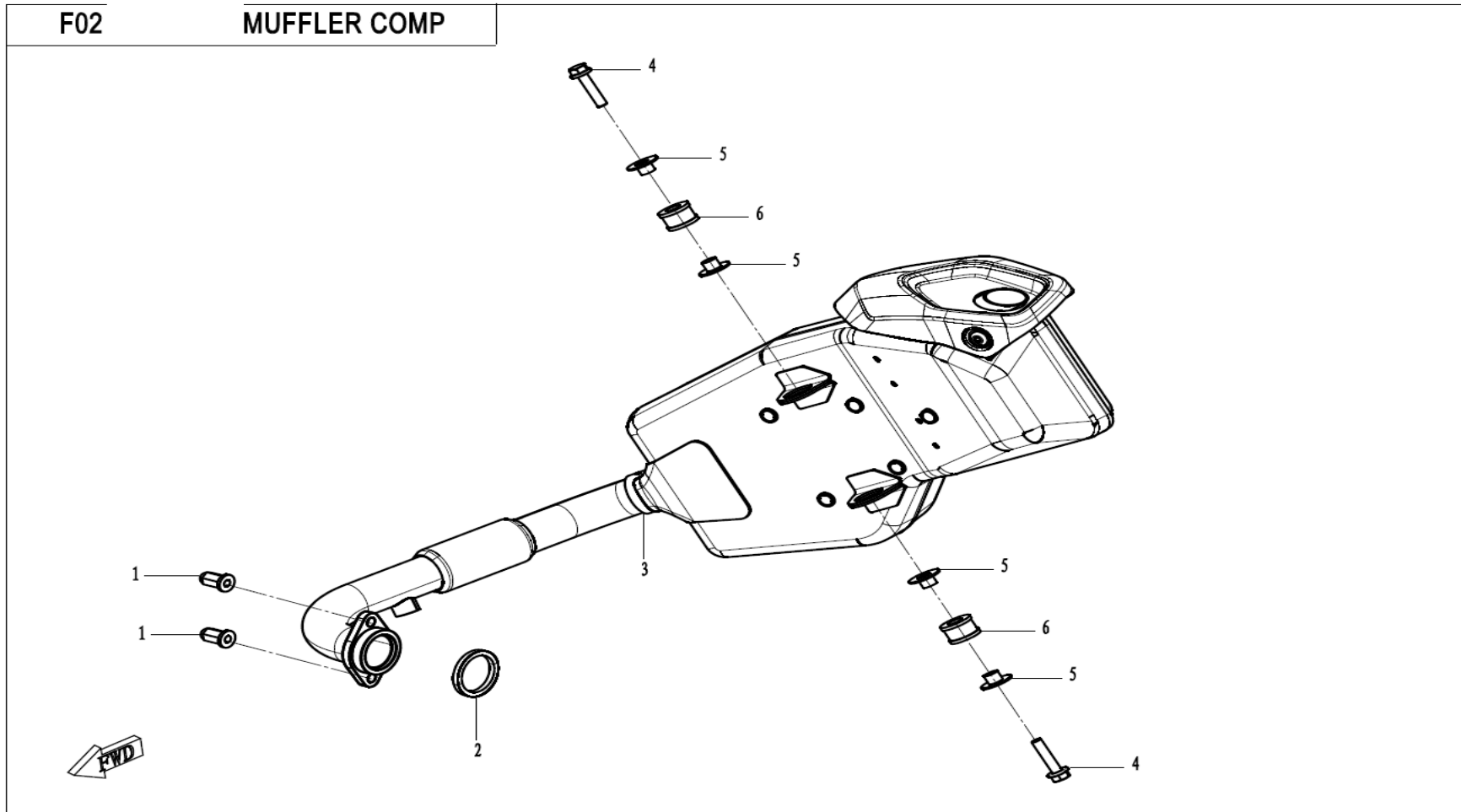


## F01 LOCK KIT

Item No.	Parts Number	Parts Name(EN)	Qty	Specification
01	6GUV-011000-6002	LOCK KIT	1	
02	30102-050012810	SCREW M5x12	2	M5x12
03	30006-060016810	BOLT M6x16	2	M6x16
04	6KJ0-010001	BOLT	2	
05	6KMV-010010-C000	CABLE, SEAT	1	
06	30102-050008900	INNER HEX SCREW M5x8	2	M5x8
07	30102-050025900	INNER HEX SCREW M5x25	3	M5x25
08	6KMV-011020-B001	KEY	2	

## F02 MUFFLER

Item No.	Parts Number	Parts Name(EN)	Qty	Specification
01	8010-020001	NUT M8, MUFFLER JOINT	2	M8
02	6KM0-020010	SEAL WASHER, EXHAUST PORT	1	
03	6KMV-021000-C200	MUFFLER ASSY	1	
04	30006-080035810	BOLT M8x35	2	M8x35
05	A000-020005	BUSHING	4	
06	A000-020004	DAMPER, MUFFLER	2	

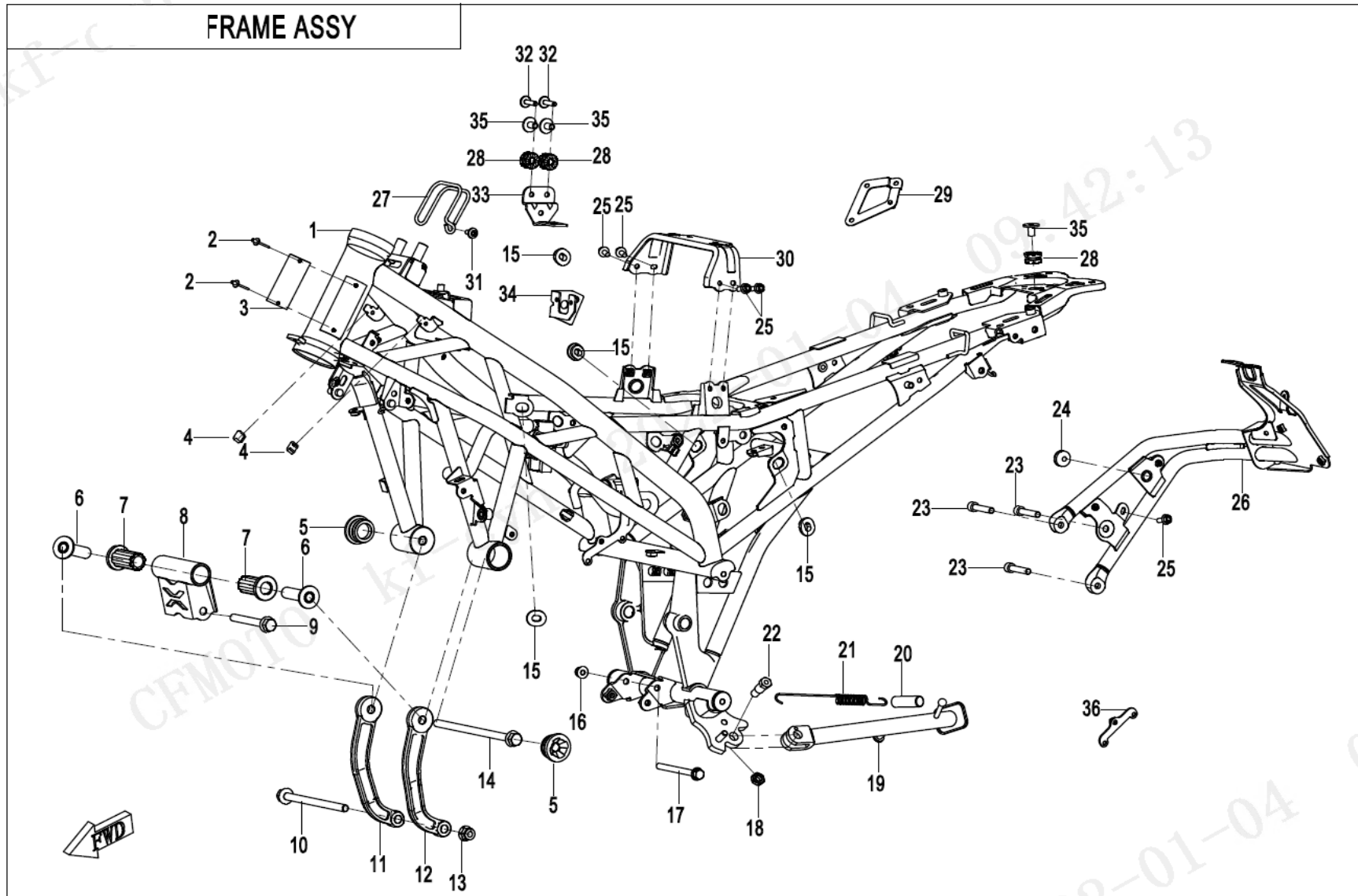


## F03 FRAME

Item No.	Parts Number	Parts Name(EN)	Qty	Specification
01	6KMV-031000-C000-01-0BY00	MAIN FRAME ASSY	1	NANO BLACK
02	30902-0400820	BLIND RIVET	2	4x8
03	6KMV-190011-C200	VEHICLE PLATE	1	
04	6GU#-021005-6000	GUARD RUBBER SLEEVE	2	
05	6GU#-140097-6000	FRONT DECO CLASP, FRAME	2	
06	6KMV-030030-2000	T-TYPE BUSHING ASSY	2	
07	6KMV-030003-2000	FRONT DAMPING RUBBER, ENGINE	2	
08	6KMV-030010-2000	FRONT CONNECTING BRACKET, ENGINE	1	
09	30006-102080810	BOLT M10x1.25x80	1	M10x1.25x80
10	30006-102140810	BOLT M10x1.25x140	1	M10x1.25x140
11	6KMV-030002-2000	RH BRACKET, ENGINE	1	
12	6KMV-030001-2000	LH BRACKET, ENGINE	1	
13	30204-102810	NUT M10x1.25	1	M10x1.25
14	30006-102180810	BOLT M10x1.25x180	1	M10x1.25x180
15	8080-040064	DAMPER, FRONT FENDER	1	
16	30204-080810	NUT M8	1	M8
17	30006-080090810	BOLT M8x90	1	M8x90
18	30208-102010	NUT M10x1.25	1	M10x1.25
19	6KMV-030200-B000-0BP00	SIDE BRACKET ASSY	1	
20	A000-030004	SPRING COLLAR, SIDE STAND	1	
21	6KMV-030060-C000	SPRING KIT, SIDE STAND	1	
22	A000-030006	BOLT, SIDE STAND	1	
23	30102-080020870	SCREW M8x20	3	
24	A000-040302	RUBBER DAMPER	1	
25	30006-060012810	BOLT M6x12	5	M6x12
26	6KMV-030300-C000-0BY00	BRACKET, REAR FENDER	1	NANO BLACK
27	6KMV-030005-C000	WIRE CLIP, FRAME	1	
28	5020-031001	RUBBER SLEEVE, FRONT LICENSE BRACKET	3	
29	6KMV-030050-C000	BRACKET, REGULATOR	1	NANO BLACK
30	6KMV-030020-C000	REAR BRACKET, FUEL TANK	1	NANO BLACK
31	6WWW-046702-5000	INNER HEX SCREW M6x12	1	
32	6WWW-047002-5000	INNER HEX SCREW M6x25	2	
33	6KM0-030040-0B200	ABS BRACKET	1	MATTE BLACK



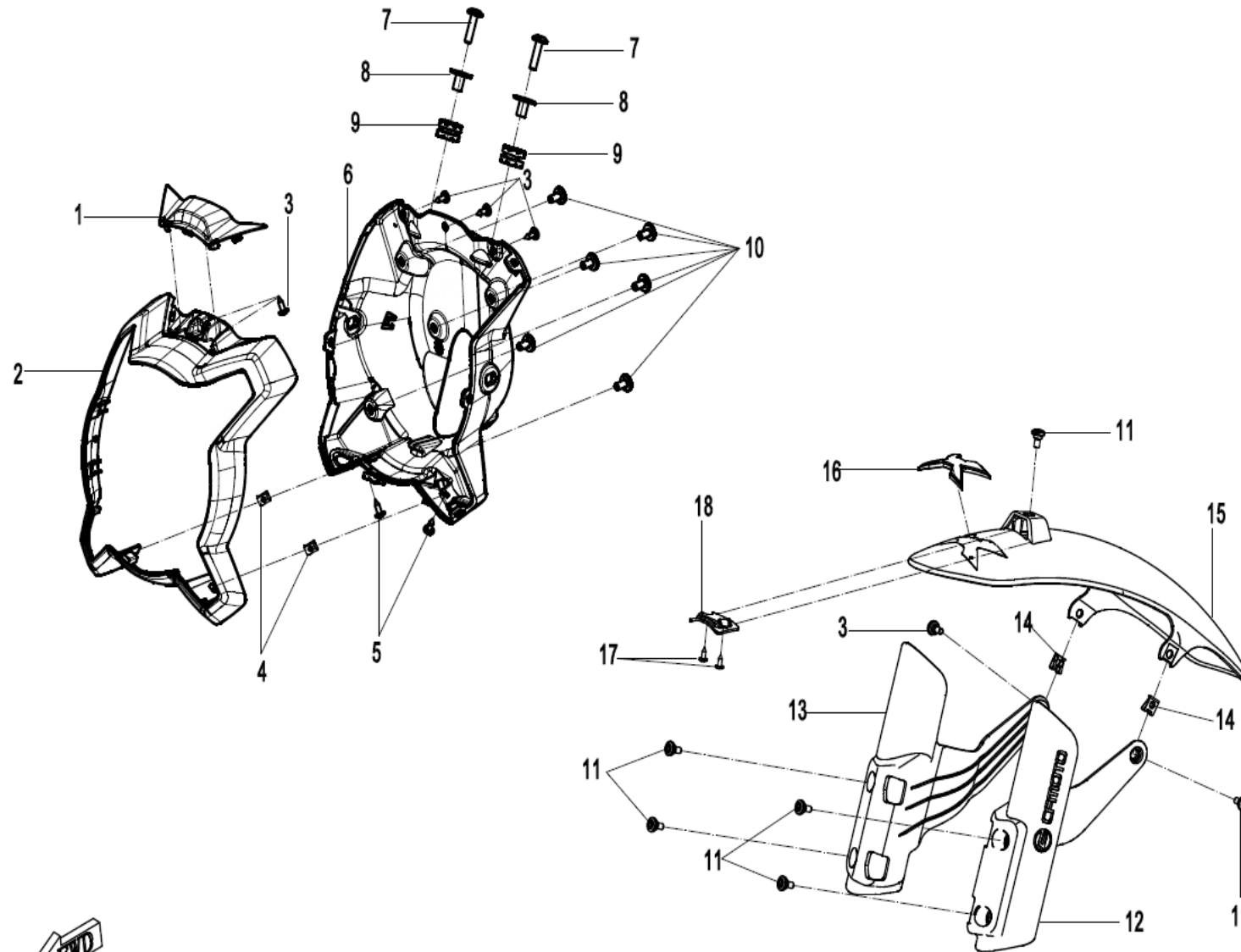
34	6KMV-030010-9001-0BP00	BRACKET, AIS VALVE	1	
35	6KMV-000202-C000	T-BUSHING KIT	3	
36	6KM0-030030-0B200	BRACKET, CANISTER	1	MATTE BLACK



## F04-1 PLASTICS I

Item No.	Parts Number	Parts Name(EN)	Qty	Specification
01	6KMV-040201-C000-0BM00	UPPER DECO PLATE, HEADLIGHT	1	
02	6KMV-040202-C000-0BU00	FRONT GUARD, HEADLIGHT	1	
03	30110-420130070	SELF-TAPPING SCREW ST4.2x13-C-H	5	ST4.2x13-C-H
04	8010-000002	CLAMP ST4.2	2	ST4.2
05	30110-421130010	SELF-TAPPING SCREW ST4.2x13	2	ST4.2x13
06	6KMV-040203-C000	FRONT GUARD, HEADLIGHT	1	
07	6WWV-047002-5000	INNER HEX SCREW M6x25	2	
08	6GU#-000202-6000	T SHAPE BUSHING KIT	2	
09	5020-031001	RUBBER SLEEVE, FRONT LICENSE BRACKET	2	
10	6WWV-046702-5000	INNER HEX SCREW M6x12	6	
11	6WWV-046502-5000	STEPPED SCREW M5	7	
12	6KMV-050702-C000	LH DECO GUARD, FRONT SHOCK ABSORBER	1	
13	6KMV-050703-C000	RH DECO GUARD, FRONT SHOCK ABSORBER	1	
14	6KM#-040081-8000-M1	NUT CLIP M5	2	
15	6GUV-040005-6001-0ET00	FRONT FENDER	1	MIDNIGHT BLUE
15	6GUV-040005-6001-0VP00	FRONT FENDER	1	MATTE PAINTED ULTRA SILVER
16	6GUV-190004-6000	DECAL, FENDER	1	
17	30110-420130070	SELF-TAPPING SCREW ST4.2x13-C-H	3	ST4.2x13-C-H
18	6GU#-040057-6000	COVER, FRONT FENDER	1	

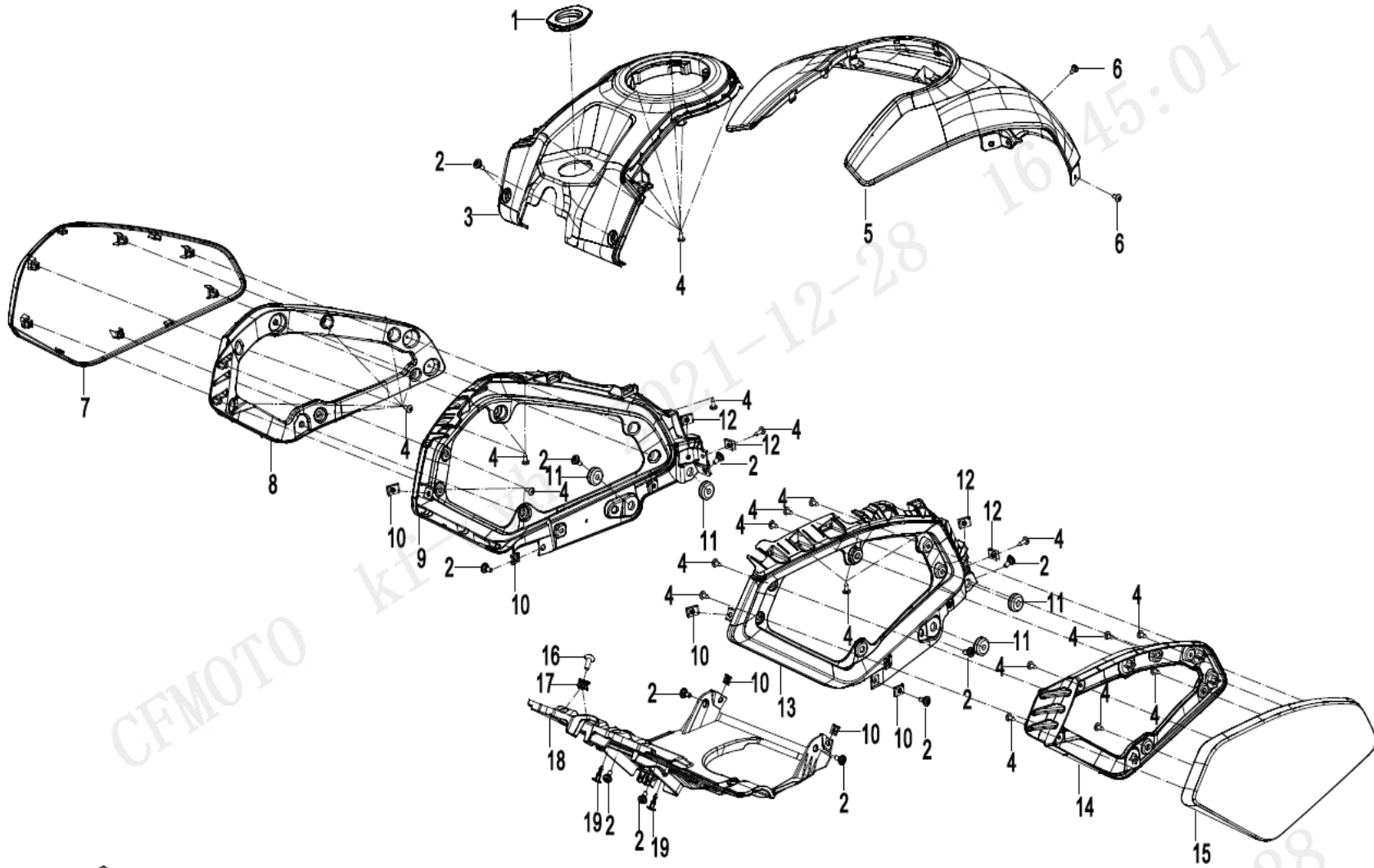
# PLASTICS I



## F04-2 PLASTICS II

Item No.	Parts Number	Parts Name(EN)	Qty	Specification
01	6KMV-040410-C000	DECO RING, POWER LOCK	1	
02	6WWV-046502-5000	STEPPED SCREW M5	10	
03	6KMV-040401-C000	GUARD, FUEL TANK FILLER	1	
04	30110-421130010	SELF-TAPPING SCREW ST4.2x13	36	ST4.2x13
05	6KMV-040402-C000-0VE00	UPPER PANEL, FUEL TANK	1	
05	6KMV-040402-C000-0BM00	UPPER PANEL, FUEL TANK	1	
06	30110-480130010	SELF-TAPPING SCREW ST4.8x13	2	ST4.8x13
07	6KMV-040405-C000-0VE00	RH OUTER PANEL, FUEL TANK	1	
07	6KMV-040405-C000-0BM00	RH OUTER PANEL, FUEL TANK	1	
08	6KMV-040407-C000	RH VENTILATION PLATE, FUEL TANK	1	
09	6KMV-040403-C000-0VR00	RH INNER PANEL, FUEL TANK	1	
09	6KMV-040403-C000-0G700	RH INNER PANEL, FUEL TANK	1	
10	6KM#-040081-8000-M1	NUT CLIP M5	6	
11	6KM#-040302-8000	DAMPING RUBBER SLEEVE	4	
12	8010-000002	CLAMP ST4.2	4	ST4.2
13	6KMV-040404-C000-0VR00	LH INNER PANEL, FUEL TANK	1	
13	6KMV-040404-C000-0G700	LH INNER PANEL, FUEL TANK	1	
14	6KMV-040408-C000	LH VENTILATION PLATE, FUEL TANK	1	
15	6KMV-040406-C000-0VE00	LH OUTER PANEL, FUEL TANK	1	
15	6KMV-040406-C000-0BM00	LH OUTER PANEL, FUEL TANK	1	
16	6WWV-046702-5000	INNER HEX SCREW M6x12	2	
17	A000-040302	RUBBER DAMPER	2	
18	6KMV-040409-C000	LOWER PANEL, FUEL TANK	1	
19	8080-041130	PLASTIC SCREW	2	

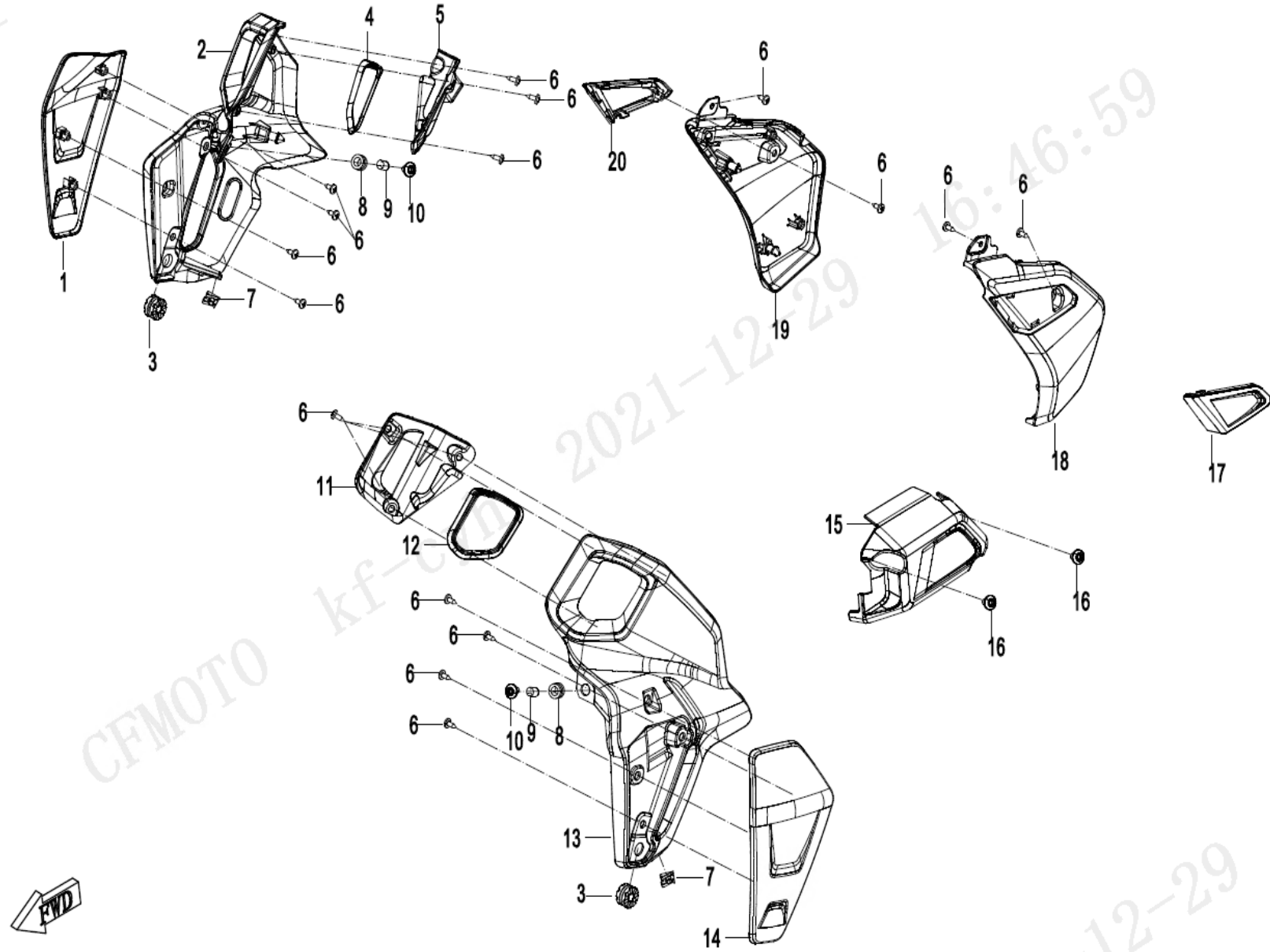
# PLASTICS II



### F04-3 PLASTICS III

Item No.	Parts Number	Parts Name(EN)	Qty	Specification
01	6KMV-040503-C000-0VR00	RH OUTER PANEL, RESERVOIR TANK	1	
02	6KMV-040501-C000	RH INNER PANEL, RESERVOIR TANK	1	
03	5020-031001	RUBBER SLEEVE, FRONT LICENSE BRACKET	2	
04	6KMV-040505-C000-0BY00	RH DECO NET, RESERVOIR TANK	1	NANO BLACK
04	6KMV-040505-C000	RH DECO NET, RESERVOIR TANK	1	
05	6KMV-040507-C000	VISOR, RESERVOIR TANK RH DECO NET	1	
06	30110-421130010	SELF-TAPPING SCREW ST4.2x13	20	ST4.2x13
07	8030-040800-00001	NUT CLIP M6	2	M6
08	6KM#-040302-8000	DAMPING RUBBER SLEEVE	2	
09	6090-040303	BUSHING	2	
10	6WWW-046702-5000	INNER HEX SCREW M6x12	2	
11	6KMV-040508-C000	VISOR, RESERVOIR TANK LH DECO NET	1	
12	6KMV-040506-C000-0BY00	LH DECO NET, RESERVOIR TANK	1	NANO BLACK
13	6KMV-040502-C000	LH INNER PANEL, RESERVOIR TANK	1	
14	6KMV-040504-C000-0VR00	LH OUTER PANEL, RESERVOIR TANK	1	
15	6KMV-041101-C000	DECO COVER, CANISTER	1	
16	6WWW-046602-5000	INNER HEX STEPPED SCREW M6x14	2	
17	6KMV-040608-C000	PRESS PLATE, LH DECO PLATE	1	
17	6KMV-040606-C000		1	
18	6KMV-040602-C000-0BU00	LH DECO PLATE	1	
19	6KMV-040601-C000-0BU00	RH DECO PLATE	1	
20	6KMV-040607-C000	PRESS PLATE, RH DECO PLATE	1	
20	6KMV-040605-C000		1	

# PLASTICS III

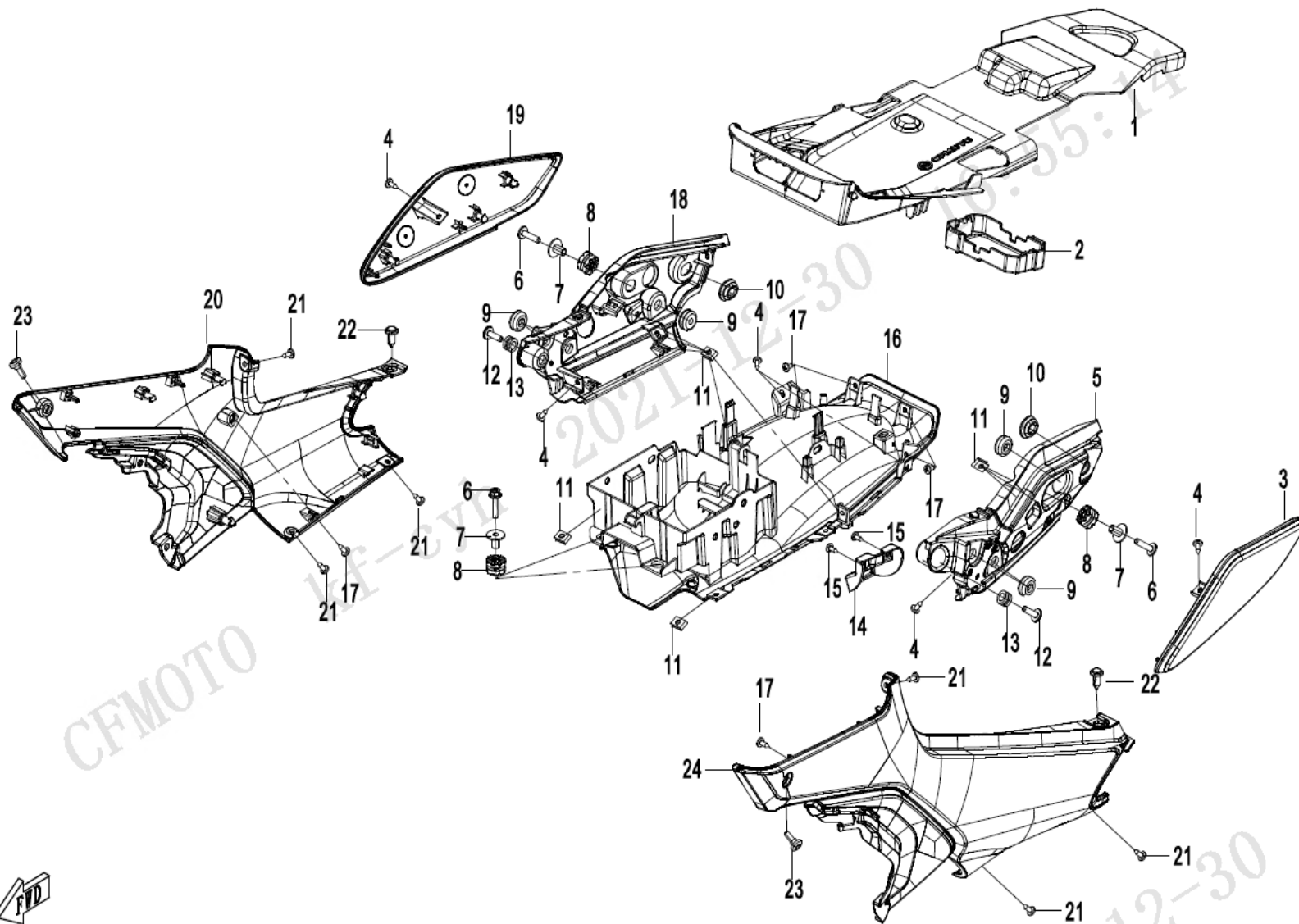


## F04-4 PLASTICS IV

Item No.	Parts Number	Parts Name(EN)	Qty	Specification
01	6KMV-041105-C000	LOWER GUARD, SEAT	1	
02	6KMV-041104-C000	GUARD, FUSE BOX	1	
03	6KMV-040704-C000-OVR00	LH DECO GUARD, TAIL LIGHT	1	
04	30110-480130010	SELF-TAPPING SCREW ST4.8x13	6	ST4.8x13
05	6KMV-040702-C000	LH PANEL, TAIL LIGHT	1	
06	6WWW-047002-5000	INNER HEX SCREW M6x25	4	
07	6GU#-000202-6000	T SHAPE BUSHING KIT	4	
08	5020-031001	RUBBER SLEEVE, FRONT LICENSE BRACKET	4	
09	A000-040302	RUBBER DAMPER	6	
10	8080-040064	DAMPER, FRONT FENDER	2	
11	8010-000002	CLAMP ST4.2	8	ST4.2
12	6WWW-046702-5000	INNER HEX SCREW M6x12	2	
13	6KM#-040302-8000	DAMPING RUBBER SLEEVE	2	
14	6KMV-040706-C000	LOCK SEAT, SEAT LOCK	1	
15	30110-421130010	SELF-TAPPING SCREW ST4.2x13	2	ST4.2x13
16	6KMV-040705-C000	REAR SKID PLATE	1	
17	30110-420130070	SELF-TAPPING SCREW ST4.2x13-C-H	6	ST4.2x13-C-H
18	6KMV-040701-C000	RH PANEL, TAIL LIGHT	1	
19	6KMV-040703-C000-OVR00	RH DECO GUARD, TAIL LIGHT	1	
20	6KMV-040603-C000	RH PANEL	1	
21	30110-480160070	SELF-TAPPING SCREW	6	
22	9060-040310	PLASTIC CLIPS	2	
23	6WWW-046502-5000	STEPPED SCREW M5	2	
24	6KMV-040604-C000	LH PANEL	1	



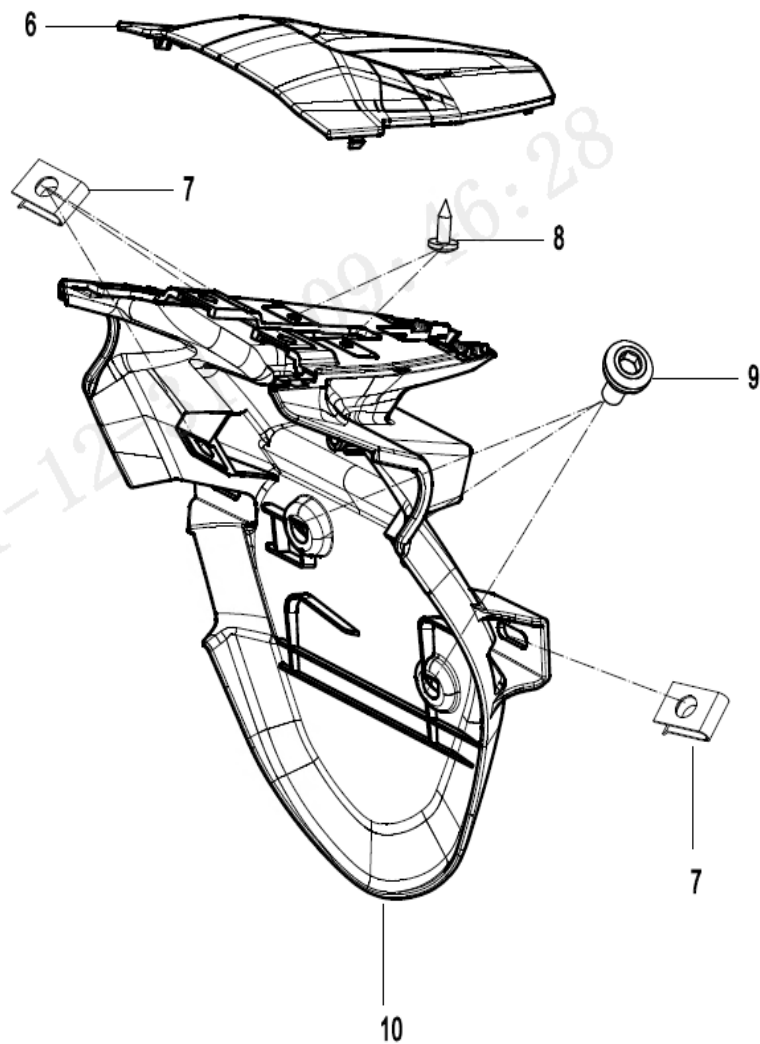
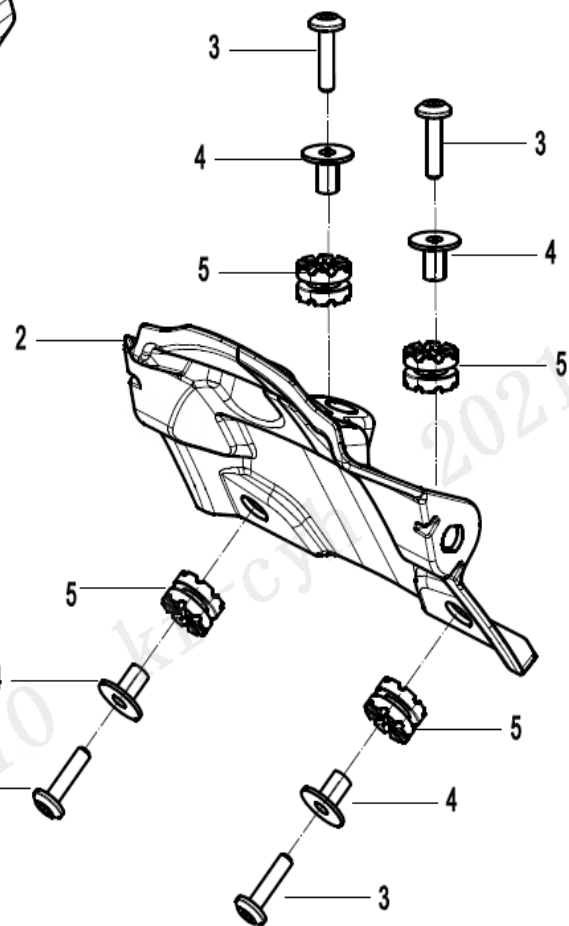
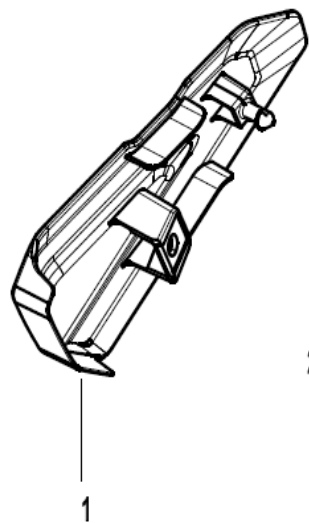
# PLASTICS IV



## F04-5 PLASTICS V

Item No.	Parts Number	Parts Name(EN)	Qty	Specification
01	6KMV-041103-C000	DECO PLATE, REAR FENDER BRACKET	1	
02	6KMV-040804-C000	LINER PLATE, REAR LICENSE LIGHT	1	
03	6WWV-047002-5000	INNER HEX SCREW M6x25	4	
04	6GU#-000202-6000	T SHAPE BUSHING KIT	4	
05	5020-031001	RUBBER SLEEVE, FRONT LICENSE BRACKET	4	
06	6KMV-040803-C000	BRACKET, REAR LICENSE LIGHT	1	
07	8030-040800-00001	NUT CLIP M6	4	M6
08	30110-420095010	SELF-TAPPING SCREW ST4.2x9.5	2	ST4.2x9.5
09	6WWV-046602-5000	INNER HEX STEPPED SCREW M6x14	3	
10	6KMV-040805-C000	SUPPORTER, REAR LICENSE LIGHT	1	

# PLASTICS VI



## F05 FRONT SUSPENSION

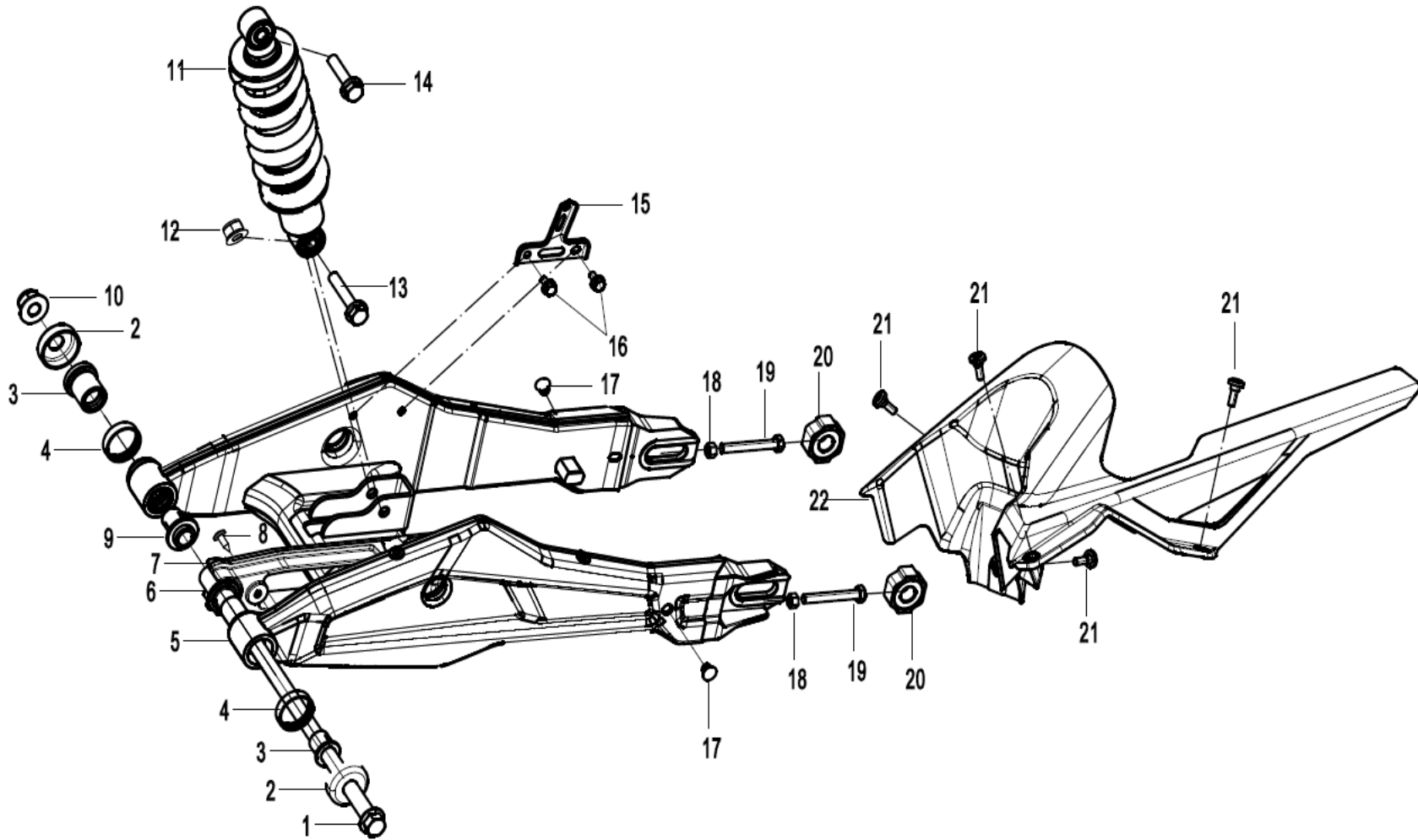
Item No.	Parts Number	Parts Name(EN)	Qty	Specification
01	30102-080025870	INNER HEX SCREW M8×25	4	M8×25
02	6GU#-050001-6000	PRESS COVER, HANDLEBAR	1	
03	6KMV-100050-C001	RH SUPPORTER, HANDLEBAR	1	
04	6KMV-100040-C001	LH SUPPORTER, HANDLEBAR	1	
05	30102-060016870	SCREW M6x16	2	
06	6KJ0-050005	WASHER	4	
07	6KJ0-050004	DAMPER RUBBER, UPPER TRIPLE CLAMP	4	
08	6KJ0-050006	LINER, UPPER TRIPLE CLAMP	2	
09	30204-102810	NUT M10x1.25	2	M10x1.25
10	6NTA-050003	LOCK SCREW, UPPER TRIPLE CLAMP	1	
11	A000-050004	WASHER	1	5
12	6KMV-050001-C000	UPPER TRIPLE CLAMP	1	
13	30102-080030810	SCREW M8x30	6	M8x30
14	6KMV-050110-C000	UPPER BRACKET, HEADLIGHT	1	NANO BLACK
15	6WWV-046702-5000	INNER HEX SCREW M6x12	4	
16	A000-050007	LOCK NUT 2	1	
17	A000-050008	WASHER	1	5
18	A000-050006	LOCK NUT 1	1	
19	A000-050009	DUST CAP, UPPER RETAINER	1	
20	A000-050100-10000	STEERING BEARING ASSY	2	
21	A000-050400	ANTI-DUST CAP, LOWER RETAINING RING	1	
22	6KJ0-050300-0BP00	FORNT FORK AND LOWER TRIPLE CLAMP ASSY	1	MAUD SPIRIT BLACK
23	6KMV-050100-C000-M1	FRONT LH SHOCK ABSORBER	1	
24	6KMV-050200-C000-M1	FRONT RH SHOCK ABSORBER	1	
25	6KJV-160920-8001-M1	FRONT SIDE REFLECTOR	2	
26	6KMV-050020-C000-0BY00	BRACKET, FRONT FENDER	1	NANO BLACK
27	A000-050011	RUBBER PLUG 2	1	
28	5020-031001	RUBBER SLEEVE, FRONT LICENSE BRACKET	2	
29	6KMV-050310-C000	LOWER BRACKET, HEADLIGHT	1	NANO BLACK



## F06 REAR SUSPENSION

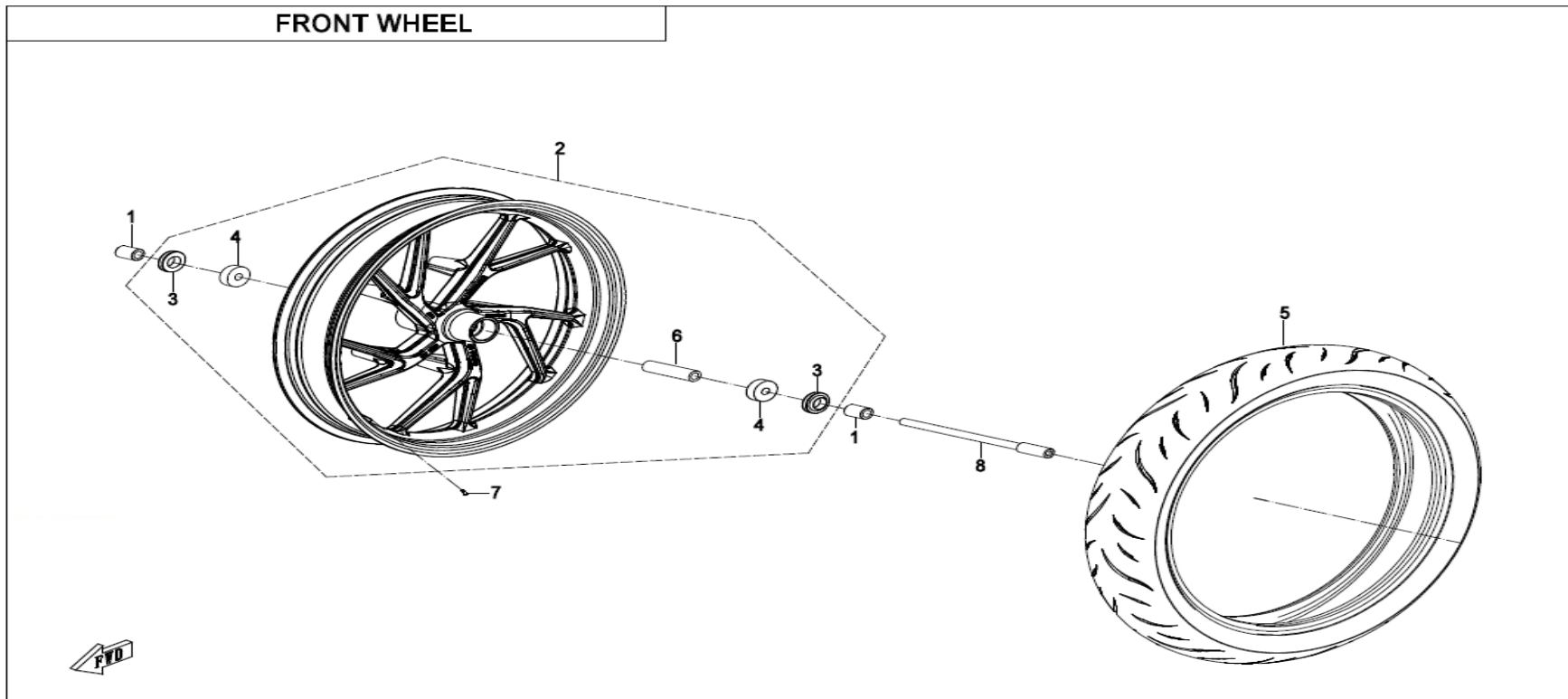
Item No.	Parts Number	Parts Name(EN)	Qty	Specification
01	6KMV-060001-C000	REAR FORK SHAFT	1	
02	6KMV-060010-C000	DUST-PROOF CAP, REAR SWING ARM	2	
03	6100-060008	OUTER BUSHING, REAR SWING ARM	2	
04	6090-060005	ANTI-DUST RING	2	
05	6KMV-060300-C000-0BY00	REAR FORK ASSY	1	NANO BLACK
06	6KMV-060003-C000	LH INNER BUSHING, REAR FORK	1	
07	6KM0-060201	CHAIN GUIDE	1	
08	8030-040020-1000	SCREW M6x17.5	1	M6x17.5 ARMY GREEN
09	6KMV-060004-C000	RH INNER BUSHING, REAR FORK	1	
10	30204-143810	NUT M14x1.5	1	M14x1.5
11	6KMV-060100-C001-M1	REAR SHOCK ABSORBER	1	
12	30204-102810	NUT M10x1.25	1	M10x1.25
13	30006-102050810	BOLT M10x1.25x50	1	M10x1.25x50
14	30006-102045810	BOLT M10x1.25x45	1	M10x1.25x45
15	6KM0-060410	FIXING BRACKET, REAR FENDER	1	
16	30006-060012810	BOLT M6x12	2	M6x12
17	6KM#-100002-8000	RUBBER PLUG, CLUTCH LEVER	2	
18	30200-080810	NUT M8	2	M8
19	30004-080060810	BOLT M8x60	2	M8x60
20	6KMV-060002-C000-0BY00	ADJUSTING BLOCK	2	NANO BLACK
21	6WVV-046602-5000	INNER HEX STEPPED SCREW M6x14	4	
22	6KMV-040801-C000	SPROCKET GUARD	1	

# REAR SUSPENSION ASSY



## F07 FRONT WHEEL

Item No.	Parts Number	Parts Name(EN)	Qty	Specification
01	6KJ0-070002	COLLAR, FRONT WHEEL AXLE	2	
02	6KMV-070100-B000-10	FRONT RIM ASSY	1	
03	6KJ0-070024	OIL SEAL	2	
04	30400-01281	BEARING	2	6301-2RS
05	30705-1747	GB/T2983_DOT 17F M1F 002_E-mark_E4-75R-0013834_3C_F000501	1	
06	6KM#-070103-6001	MIDDLE SPACER, FRONT RIM	1	
07	5190-070030-1000	VALVE, INFLATION	1	
08	6KJ0-070001-10000	AXLE, FRONT WHEEL	1	



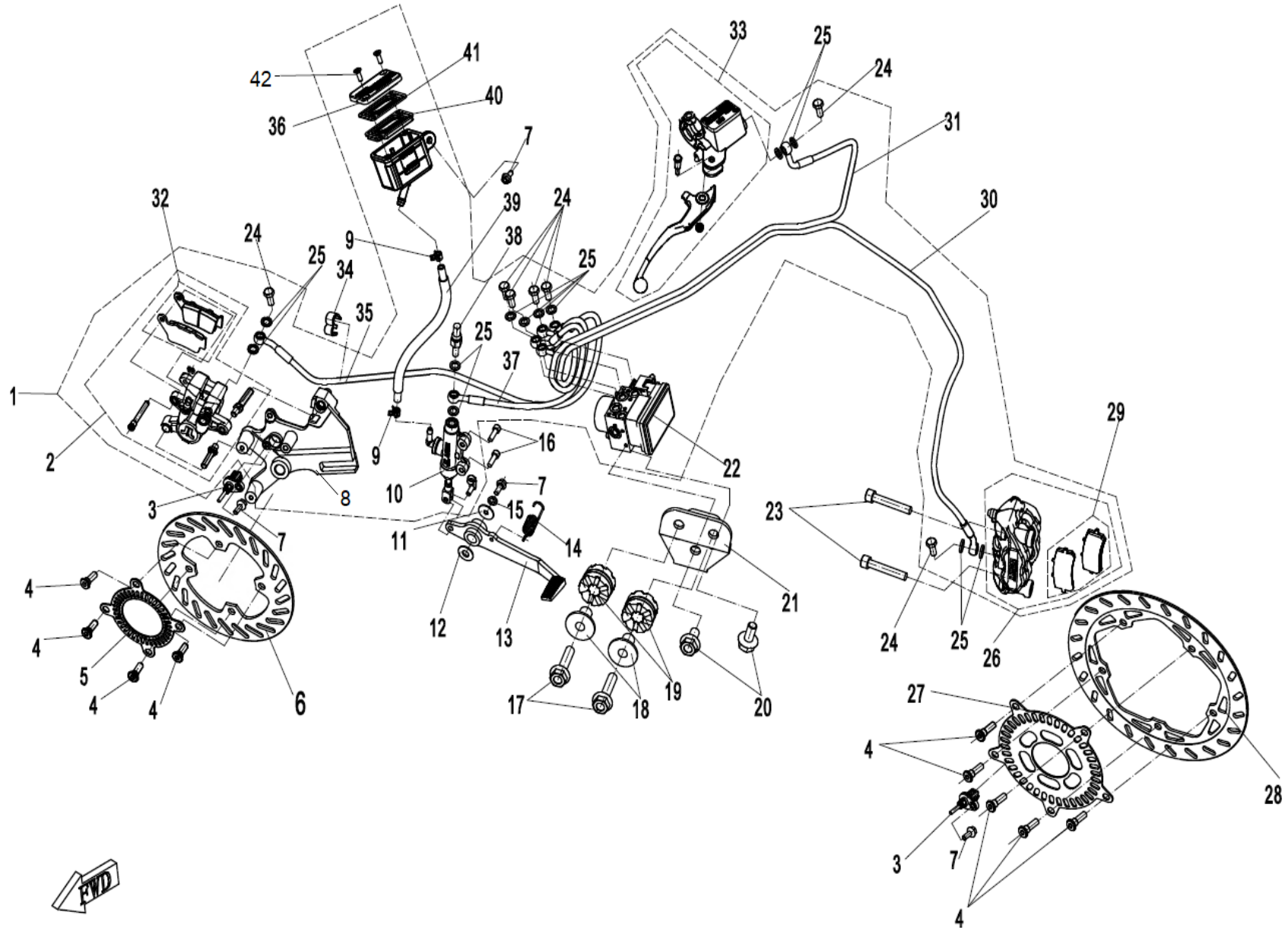


## F08 MAB BRAKE ASSY

Item No.	Parts Number	Parts Name(EN)	Qty	Specification
01	6KMV-081000-C000-M1	MAB HYDRAULIC BRAKE ASSY	1	
02	6KMV-091100-C000-M1	REAR BRAKE CALIPER	1	
03	6KMV-080004-8500-M1	SPEED SENSOR	2	
04	6KJ0-080005	BOLT, FRONT BRAKE DISC	9	
05	6NTG-080009	REAR GEAR RING	1	
06	6KJ0-080002-10000	REAR BRAKE DISC	1	
07	30006-060016810	BOLT M6x16	3	M6x16
08	6KMV-091100-C000-20	MOUNTING PLATE	1	
09	A000-080213-2000	CLIP	2	
10	6KM0-091200-30000	MASTER CYLINDER, REAR BRAKE	1	
11	A000-080006-10000	WASHER 1	1	
12	A000-080007-10000	WASHER 2	1	
13	6KMV-082001-C000	REAR BRAKE PEDAL	1	
14	6KMV-080005-C000	RETURN SPRING	1	
15	30303-060112	WASHER	1	6
16	30102-060022810	SCREW M6x22	2	M6x22
17	30006-060025810	BOLT M6x25	2	M6x25
18	5020-031002	RUBBER SLEEVE LINER, FRONT LICENSE BRACKET	2	
19	5020-031001	RUBBER SLEEVE, FRONT LICENSE BRACKET	2	
20	30006-060012810	BOLT M6x12	2	M6x12
21	6KM0-030040-0B200	ABS BRACKET	1	MATTE BLACK
22	6KMV-081500-C000	MAB EXECUTION UNIT	1	
23	30102-102060810	SCREW M10x1.25x60	2	M10x1.25x60
24	6KM#-080103-8101	BOLT, FUEL PIPE	7	
25	6KM#-081000-8100-20	REATAINER	16	
26	6KM#-081200-8100	FRONT BRAKE CALIPER ASSY	1	
27	6KJ0-080004	INDUCTION PLATE, COUNTER	1	
28	6KJ0-080001-20000	FRONT BRAKE DISC	1	
29	6KM#-0812A0-8100	FRONT BRAKE PAD ASSY	1	
30	6KM#-081020-6001	FLUID OUTLET PIPE, FRONT CALIPER	1	
31	6KM#-081010-6001	FLUID INLET PIPE, FRONT CALIPER	1	
32	6KM#-0911A0-8100	REAR BRAKE PAD ASSY	1	
33	6KMV-081400-C000-M1	REAR BRAKE MASTER CYLINDER	1	

34	6KM#-080002-8000	RUBBER OIL HOSE CLIP	3	
35	6KM#-081040-6002	OIL OUTLET HOSE, REAR BRAKE CALIPER	1	
36	6KM0-091201-20000	CAP, FLUID RESERVOIR	1	
37	6KM#-081030-6001	FLUID OUTLET PIPE, REAR CALIPER	1	
38	6KMV-081700-C000-M1	HYDRAULIC SENSOR SWITCH	1	
39	6KM0-091220-30000	BRAKE FLUID RESERVOIR HOSE	1	
40	6KM0-091203-20000	SEALING GASKET, FLUID RESERVOIR	1	
41	6KM0-091202-20000	SEALING LINER, FLUID RESERVOIR	1	
42	A000-080229-2000	SCREW, FLUID RESERVOIR CAP	2	

# HYDRAULIC BRAKE ASSY



## F10 STEERING SYSTEM

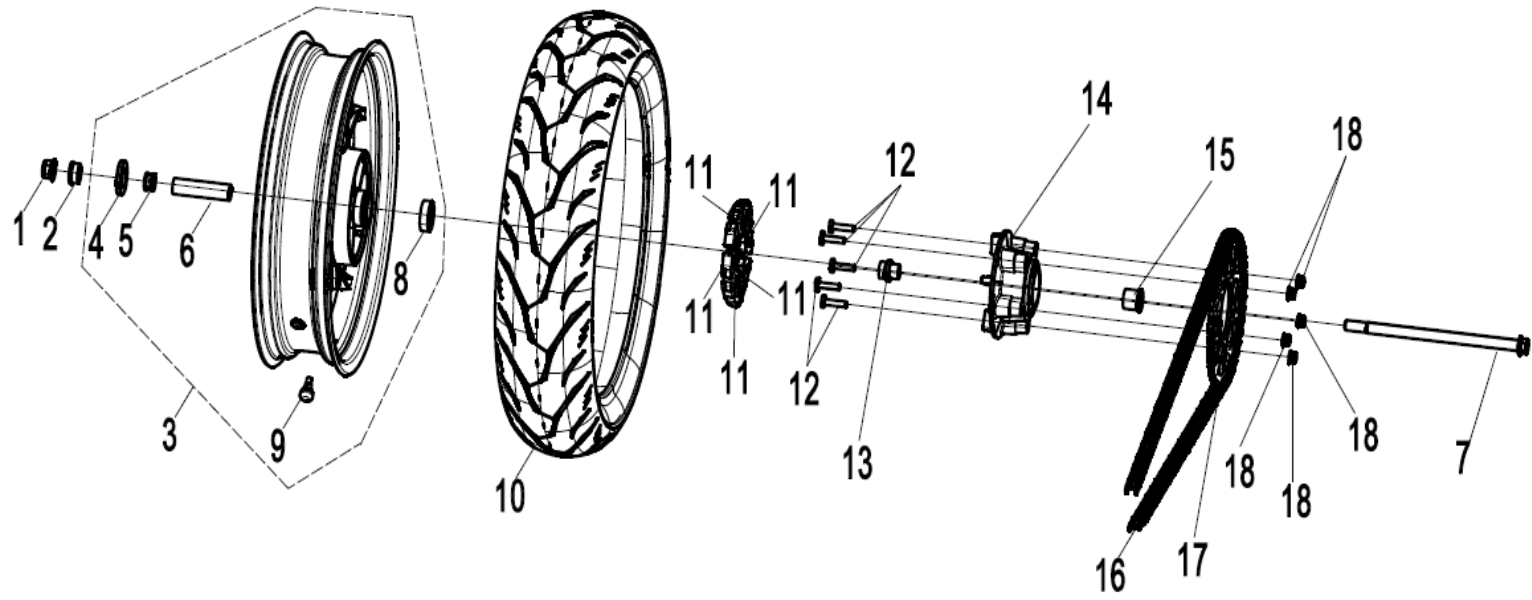
Item No.	Parts Number	Parts Name(EN)	Qty	Specification
01	6KMV-100301-B000	BALANCING WEIGHT	2	
02	A000-100010-20000	RH HAND GRIP ASSY	1	
03	6KMV-167000-C000	HANDLEBAR SWITCH ASSY, RH	1	
04	6KMV-100500-C000	ADJUSTABLE THROTTLE CABLE	1	
05	6KMV-100400-C000	THROTTLE CABLE	1	
06	A000-050015	WIRE CLIP, FRONT BRAKE FLUID HOSE	1	
07	6KMV-100101-C001	HANDLEBAR PIPE	1	
07	6KMV-100102-C001	HANDLEBAR PIPE	1	
08	6KMV-100600-C000	CLUTCH CABLE	1	
09	30105-040012470	SCREW 4.8	1	
10	6KMV-166000-C000	HANDLEBAR SWITCH ASSY, LH	1	
11	6FI3-100301	CLUTCH LEVER	1	ABS
12	6FI3-100300-10000	CLUTCH LEVER ASSY	1	
13	A000-100001-10000	LH HAND GRIP	1	



## F11 REAR WHEEL

Item No.	Parts Number	Parts Name(EN)	Qty	Specification
01	30204-143810	NUT M14x1.5	1	M14x1.5
02	6KJ0-110001-10000	RH SHAFT SLEEVE, REAR WHEEL	1	
03	6KMV-110100-C000	REAR RIM ASSY	1	
04	30500-027800N	OIL SEAL	1	FB27x47x7
05	30400-01583	BEARING	1	6302-2RS
06	6KM#-110103-6001	MIDDLE SPACER, REAR RIM	1	
07	6KJ0-110005-20000	REAR WHEEL SHAFT	1	
08	30400-01580	BEARING	1	6202-2RS
09	5190-070030-1000	VALVE, INFLATION	1	
10	30705-1756	TIRE	1	
11	6KM0-110004	RUBBER DAMPER, SPROCKET SOCKET	5	
12	6KJ0-110003	BOLT	5	
13	6KM0-110003-10000	BUSHING, SPROCKET SOCKET	1	
14	6KM0-110200-10000	SPROCKET SOCKET	1	
15	6KM0-110002-10000	SHAFT SLEEVE, REAR WHEEL	1	
16	3120910	CHAIN	1	
17	6KMV-110006-C000	REAR SPROCKET	1	
18	30204-080810	NUT M8	5	M8

# REAR WHEEL ASSY

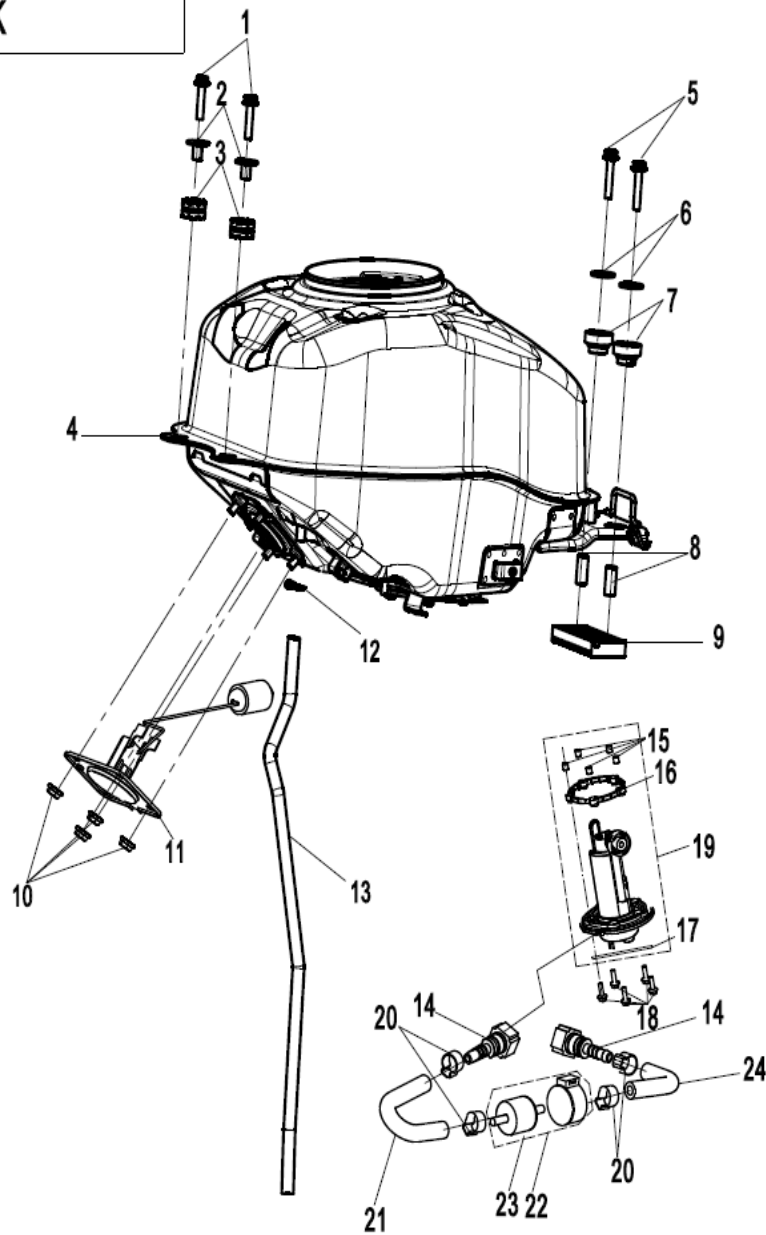


## F12 FUEL TANK

Item No.	Parts Number	Parts Name(EN)	Qty	Specification
01	30006-060025810	BOLT M6x25	2	M6x25
02	6KM0-120010	T-TYPE BUSHING ASSY	2	
03	5020-031001	RUBBER SLEEVE, FRONT LICENSE BRACKET	2	
04	6KMV-121000-C000	FUEL TANK ASSY	1	
05	30006-060035810	BOLT M6x35	2	M6x35
06	30301-060412	WASHER	2	6
07	6NQ#-120004-6000	CUSHION RUBBER WAHSER	2	
08	6NQ#-120002-6000	MOUNTING BUSHING	2	
09	6NQ#-120003-6000	RUBBER DAMPER BLOCK	1	
10	30202-060110	NUT M6	4	M6
11	6KMV-170200-C000-M1	FUEL LEVEL SENSOR	1	
12	30601-111010	CLAMP A11	1	A11
13	6KMV-120001-C000	BREATHER HOSE, FUEL TANK	1	
14	6KJ0-120330-10000	QUICK JOINT	2	
15	6KJ0-150903	BUSHING	5	
16	6KJ0-150902	SEAL WASHER, TOP COVER	1	
17	6KJ0-150901	LOCK PAD, TOP COVER	1	
18	30006-050020810	BOLT M5x20	5	M5x20
19	6KJV-150900-8001	FUEL PUMP ASSY	1	
20	6070-120400	CLAMP Dia 14.5A	4	Dia14.5
21	6KM0-120210	HIGH-PRESSURE FUEL HOSE, I	1	
22	6090-120220	FUEL FILTER ASSY, EFI	1	
23	805A-120004	FUEL FILTER, EFI	1	
24	6KM0-120220	HIGH-PRESSURE FUEL HOSE,II	1	



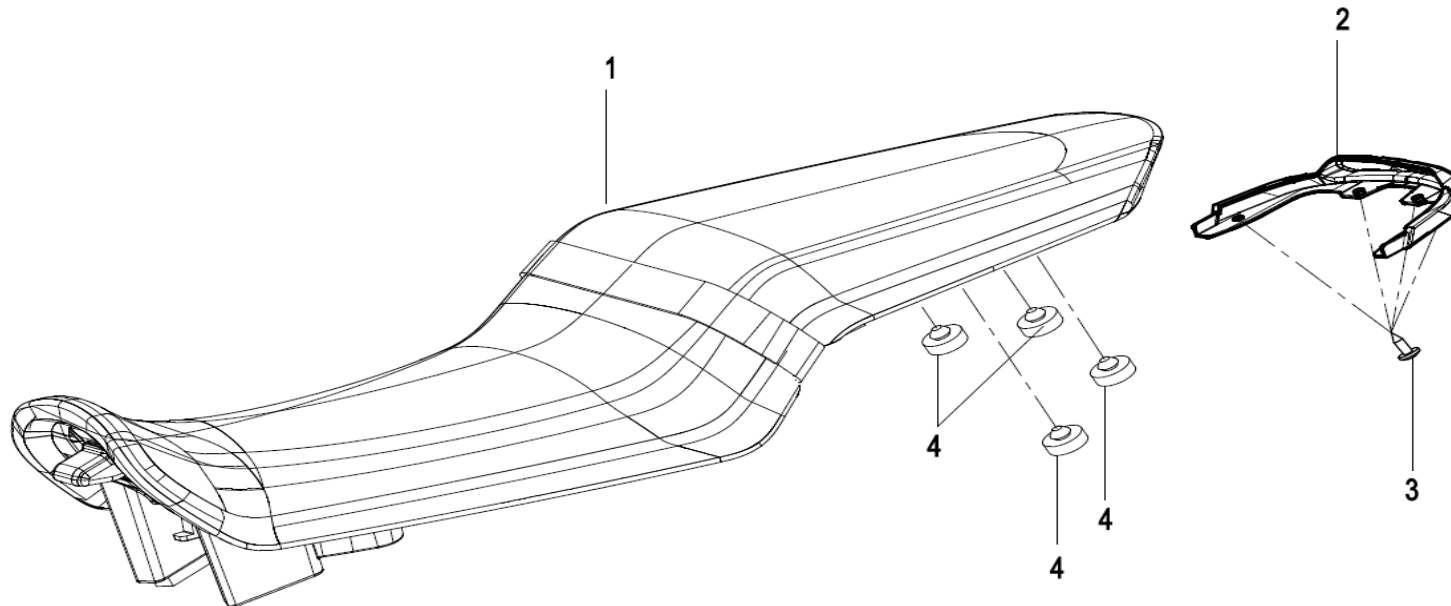
# FUEL TANK



# F13 SEAT

Item No.	Parts Number	Parts Name(EN)	Qty	Specification
01	6KMV-130100-C001	SEAT	1	
02	6KMV-041102-C000-0DD00	REAR DECO STRAP, SEAT	1	
03	30110-420095010	SELF-TAPPING SCREW ST4.2x9.5	4	ST4.2x9.5
04	6KM0-130205	RUBBER	4	

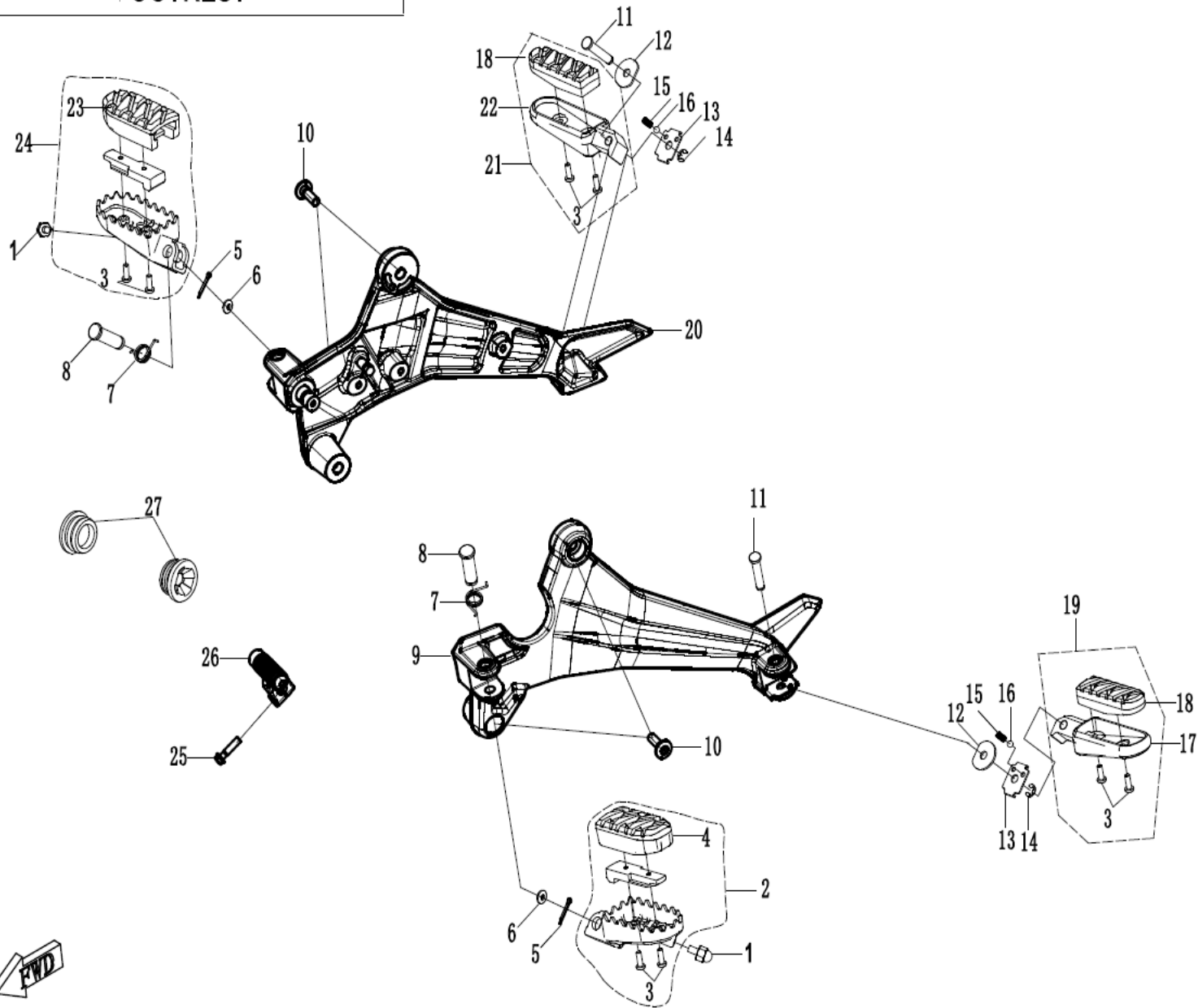
F13 SEAT ASSY



## F14 FOOTREST

Item No.	Parts Number	Parts Name(EN)	Qty	Specification
01	6GU#-140202-6000	LIMIT BOLT	2	
02	6GUV-140220-6002	LH FRONT FOOTREST SEAT	1	
03	30105-050014470	SCREW	8	
04	6GU#-140205-6000	LH FRONT FOOTREST RUBBER	1	
05	30903-0322210	COTTER PIN	2	3.2x22
06	30300-100112	WASHER	2	
07	A000-140103-20000	SPRING	2	
08	6WWV-140141-5000	PIN SHAFT	2	
09	6KMV-140600-C000	BRACKET, LH FOOTREST	1	
10	6GU#-140201-6000	BOLT M8x25	4	
11	A000-140142	PIN SHAFT Dia 8	2	Dia 8
12	A000-140106	LOCATING GASKET 2	2	
13	A000-140104	LOCATING GASKET 1	2	
14	30802-00603	CIRCLIP 6	2	6
15	5190-037813	SPRING	2	
16	5190-037814	STEEL BALL	2	
17	6GU#-140041-6000-0BP00	LH REAR FOOTREST BOARD	1	MAUD SPIRIT BLACK
18	6GU#-140080-6000	RUBBER, REAR FOOTREST BOARD	2	
19	6GU#-1400A0-6000-0BP00	RUBBER, LH REAR FOOTREST BOARD	1	MAUD SPIRIT BLACK
20	6KMV-140700-C000	BRACKET, RH FOOTREST	1	
21	6GU#-1400B0-6000-0BP00	RUBBER, RH REAR FOOTREST BOARD	1	MAUD SPIRIT BLACK
22	6GU#-140051-6000-0BP00	RH REAR FOOTREST BOARD	1	MAUD SPIRIT BLACK
23	6GU#-140206-6000	RH FRONT FOOTREST RUBBER	1	
24	6WWV-140300-5000	RH FRONT FOOTREST SEAT ASSY	1	
25	0010-021017-0010	BOLT M6x25	1	M6x25
26	6KMV-141000-C001	GEARSHIFT ASSY	1	
27	6GU#-140097-6000	FRONT DECO CLASP, FRAME	2	

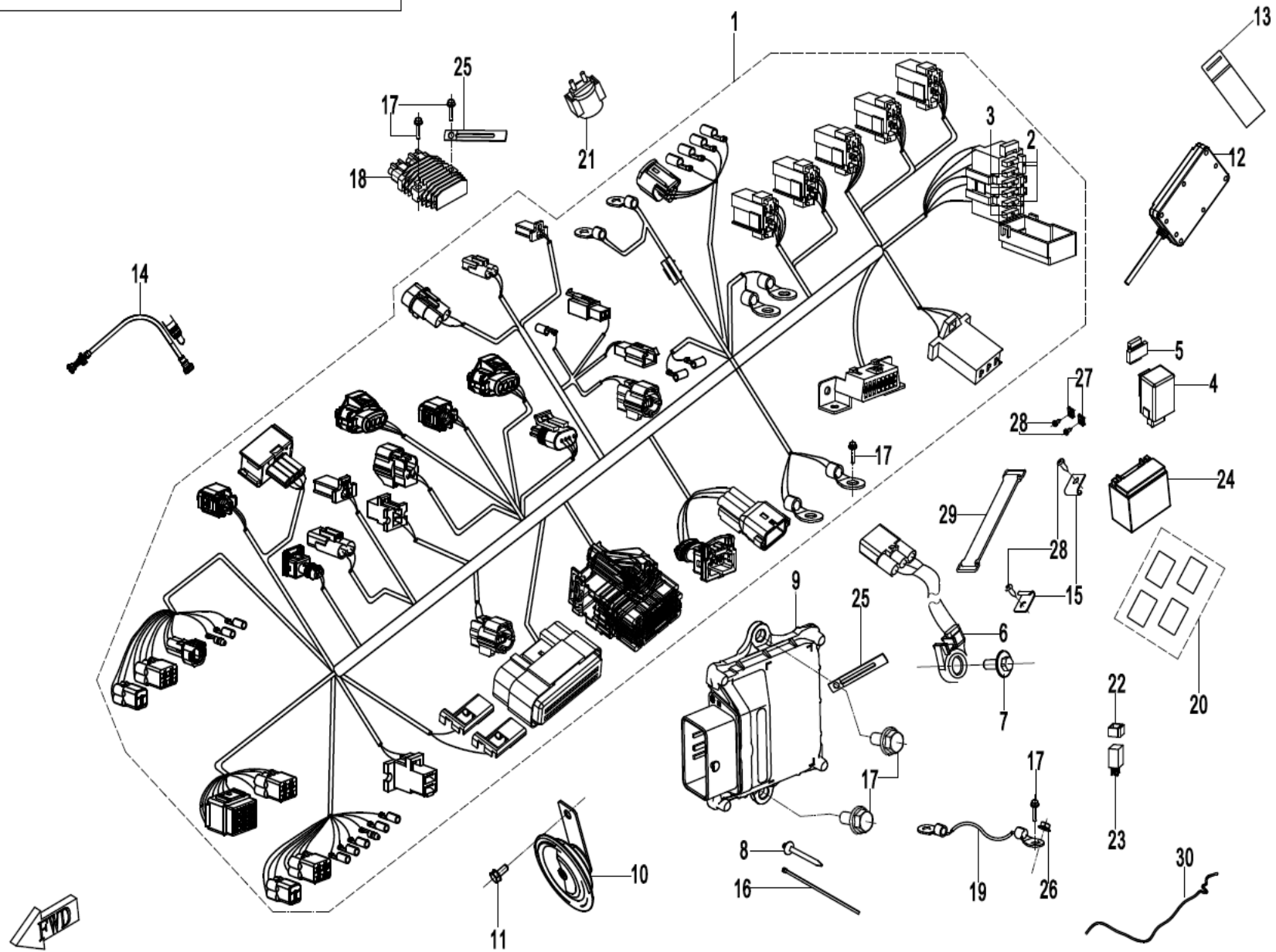
# FOOTREST



## F15 ELECTRIC SYSTEM

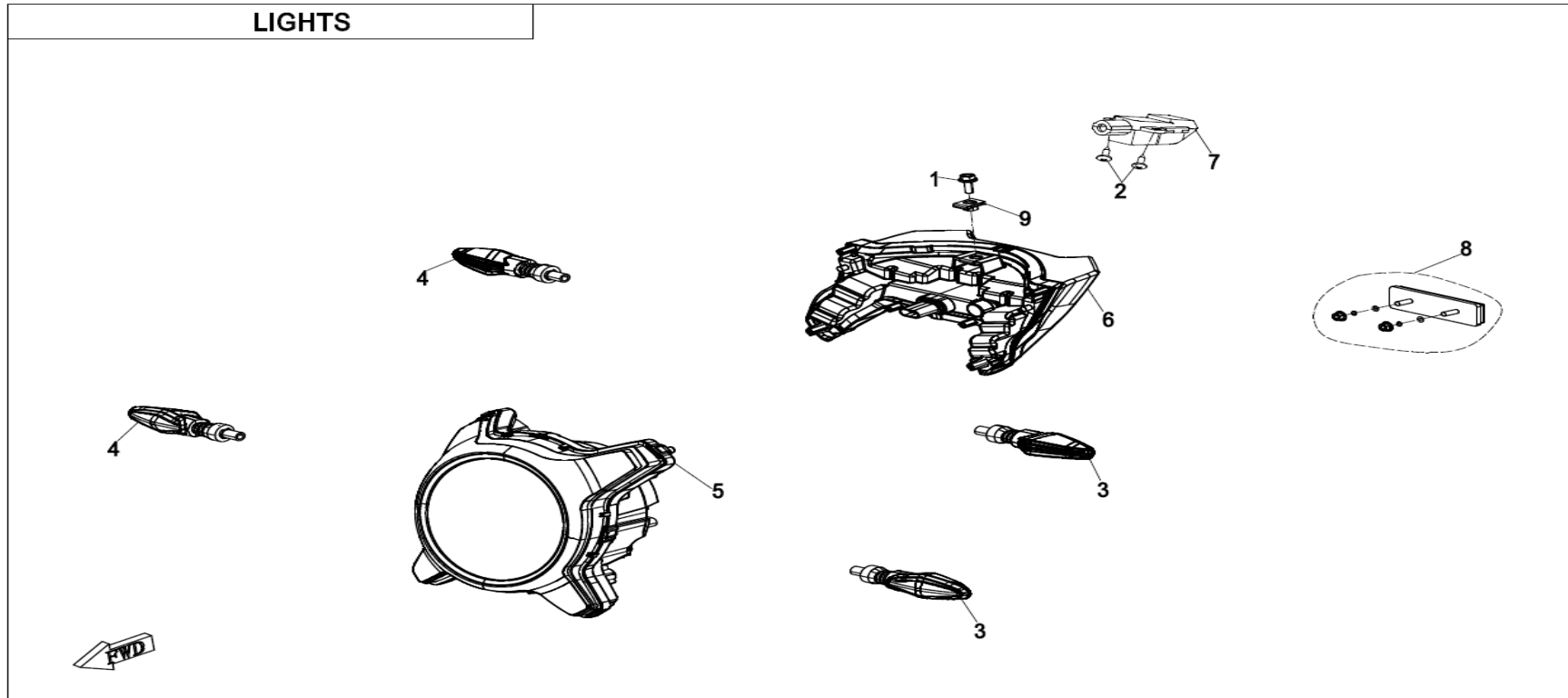
Item No.	Parts Number	Parts Name(EN)	Qty	Specification
01	6KMV-150100-C200	MAIN CABLE	1	
02	806A-151302	FUSE 10A	3	10A
03	806A-151305	FUSE 15A	6	15A
04	6KM0-150340	FLASHER	1	
05	6100-150500	RUBBER SLEEVE, FLASHER	1	
06	6KMV-151200-8500	SWITCH SIDE STAND	1	
07	8010-090005	BOLT M6x16	1	M6x16
08	7030-150005	TIE BAND	5	
09	6KMV-001000-B400	ECU ASSY	1	
10	KNL0-150600	HORN	1	
11	30006-080016870	BOLT	1	
12	6GUV-151800-7100-M1	INTELLIGENT CONTROLLER	1	
12	6GUV-151800-6800-M1	T-BOX	1	
12	6GUV-151800-6900-M1	T-BOX	1	
12	6GUV-151800-7300-M1	T-BOX	1	
12	6GUV-151800-7500-M1	T-BOX	1	
13	6KMV-150901-B001	RUBBER RING, T-BOX	2	
14	6KMV-176000-8400	OXYGEN SENSOR	1	
15	A000-030005	TIE BAND BRACKET, TOOLS KIT	1	
16	8010-150003	TIE BAND	13	5x250
17	30006-060012810	BOLT M6x12	3	M6x12
18	6KJC-177000-8000	REGULATOR	1	
19	6KMV-150020-C000	POSITIVE/NEGATIVE CABLE, START MOTOR	1	
20	9010-120008	SPONGE PAD, FUEL TANK	6	
21	6KJ0-150500	RELAY, STARTER	1	
22	9010-150002	AUXILIARY RELAY	5	
23	5BY4-150330	AUXILIARY RELAY	5	
24	31020902	BATTERY	1	
25	0180-014010	WIRE CLAMP	2	
26	30202-060110	NUT M6	1	M6
27	8080-000002	CLIP NUT ST4.8	2	ST4.8
28	30110-481130010	SELF-TAPPING SCREW ST4.8x13	4	ST4.8x13
29	1080-150700	TIE BAND, BATTERY	1	
30	6GU#-150400-6001	AUXILIARY CABLE, LICENSE LIGHT	1	

# ELECTRIC SYSTEM



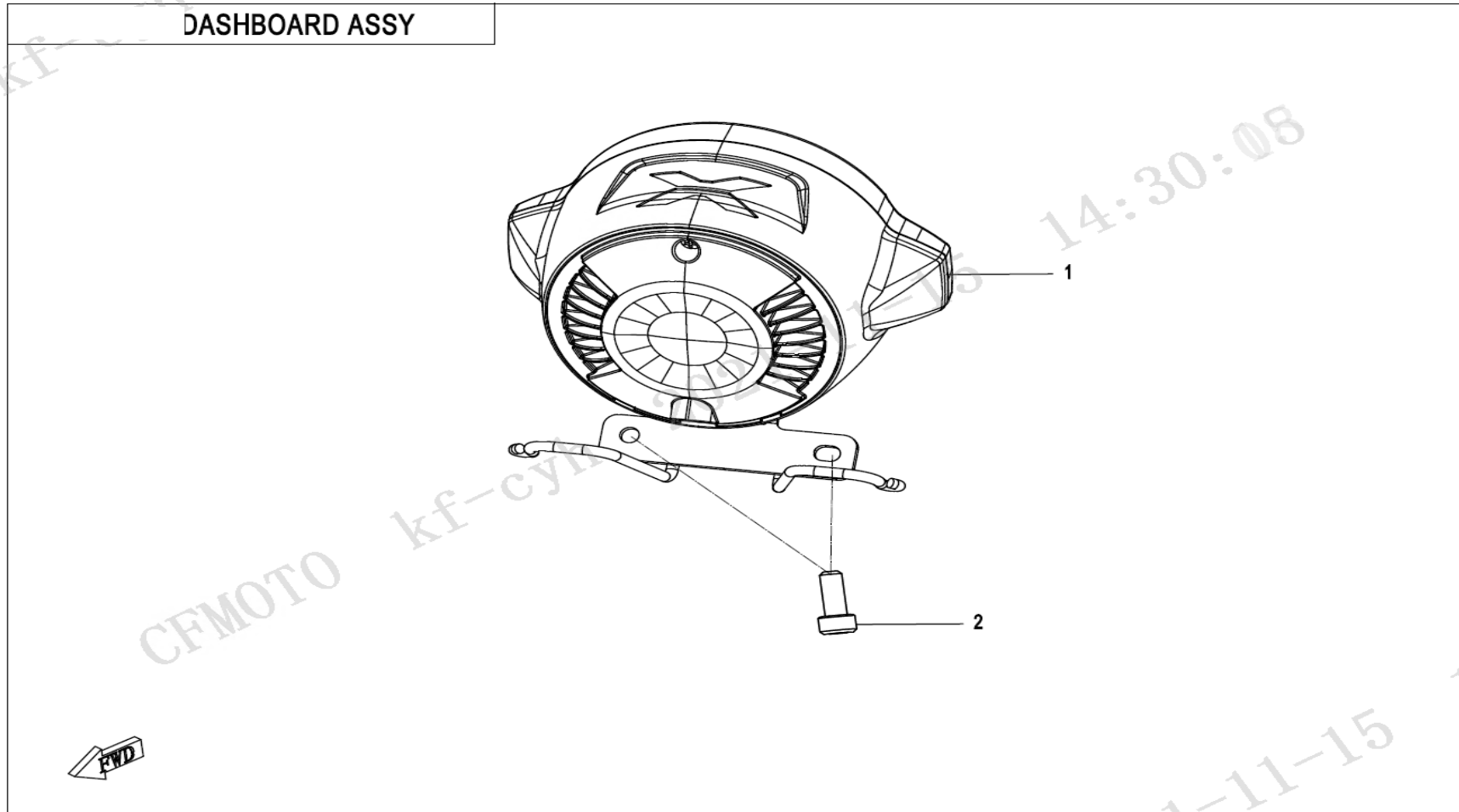
## F16 LIGHTS

Item No.	Parts Number	Parts Name(EN)	Qty	Specification
01	30006-060025870	BOLT M6x25	1	M6x25
02	30110-350095010	SELF-TAPPING SCREW ST3.5x9.5	2	ST3.5x9.5
03	6GU#-160410-6002	LH FRONT TURN LIGHT	2	
04	6GU#-160420-6002	RH FRONT TURN LIGHT	2	
05	6KMV-160110-C000	HEADLIGHT	1	
05	6GUV-160110-7001	HEADLIGHT	1	
06	6GUV-162100-6002	TAIL LIGHT	1	
07	6FIV-160600-6601	HEADLIGHT	1	
08	6KM0-160230	REAR REFLECTOR	1	
09	8030-040800-00001	NUT CLIP M6	1	M6



# F17 DASHBOARD

Item No.	Parts Number	Parts Name(EN)	Qty	Specification
01	6KMV-171010-C300	LCD DSAHBOARD	1	
02	30006-080012810	BOLT M8x12	2	M8x12

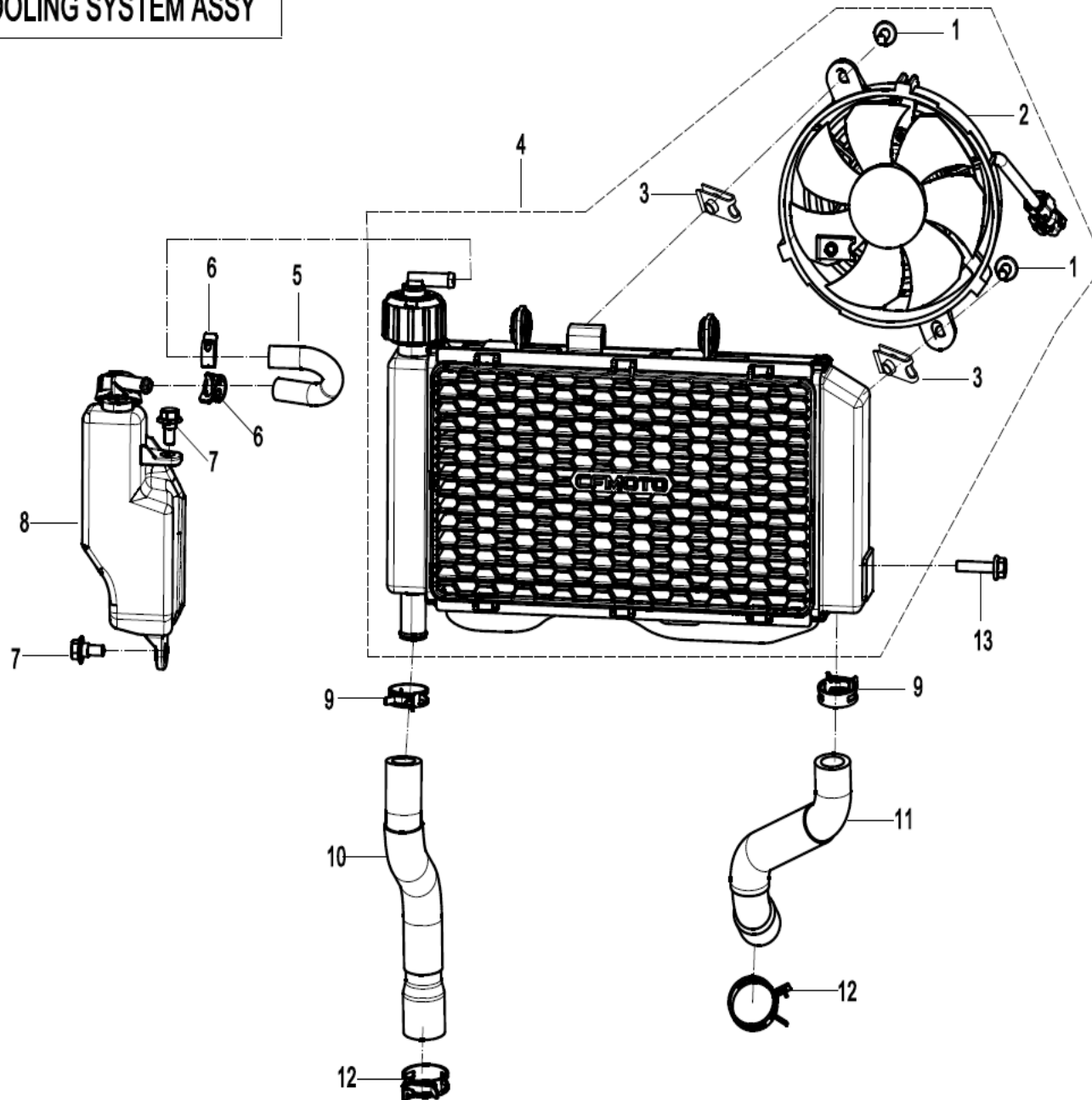




## F18 COOLING SYSTEM

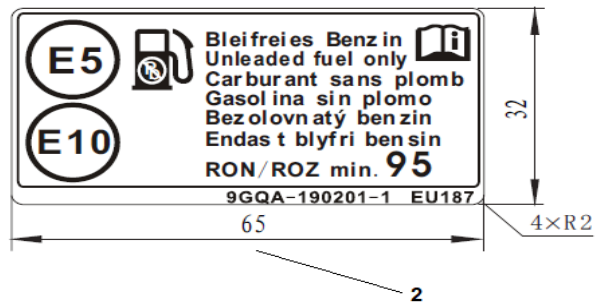
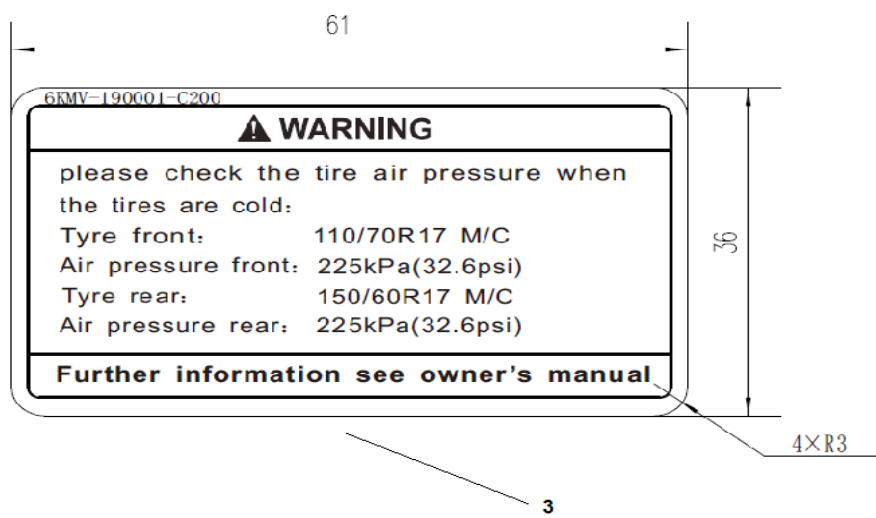
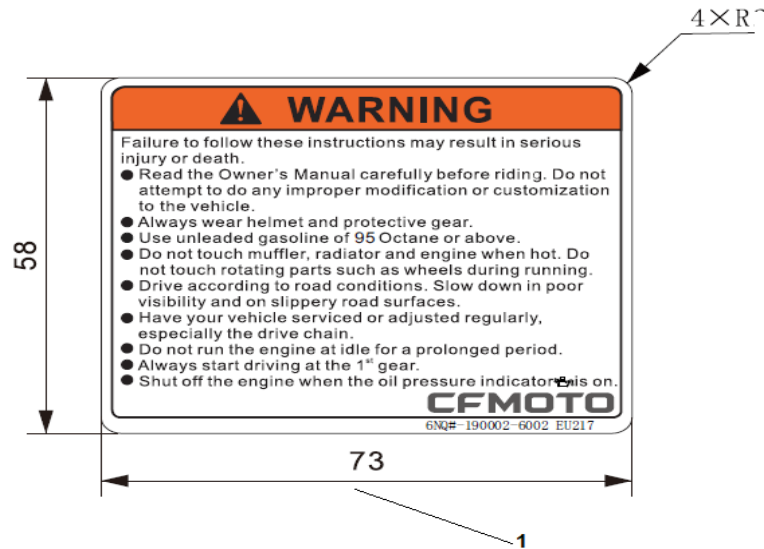
Item No.	Parts Number	Parts Name(EN)	Qty	Specification
01	30004-060016130	BOLT M6x16	2	M6x16
02	6KMV-181200-6002	FAN MOTOR ASSY	1	
03	8030-040800-00001	NUT CLIP M6	2	M6
04	6KMV-181000-C000	RADIATOR FAN ASSY	1	
05	6KMV-180004-C000	CONNECTING PIPE, RESERVOIR TANK	1	
06	30601-212570	CLAMP	2	
07	5HY#-040001-1000	BOLT M6x14	2	
08	6KMV-180200-C000	RESERVOIR TANK ASSY	1	
09	6100-180001	CLAMP B24	2	
10	6KMO-180002	WATER OUTLET HOSE, RADIATOR	1	
11	6KMO-180001	WATER INLET HOSE, RADIATOR	1	
12	6KMO-180004	CLAMP B28	2	
13	30006-060025810	BOLT M6x25	1	M6x25

# COOLING SYSTEM ASSY



# F19-1 WARNING DECAL

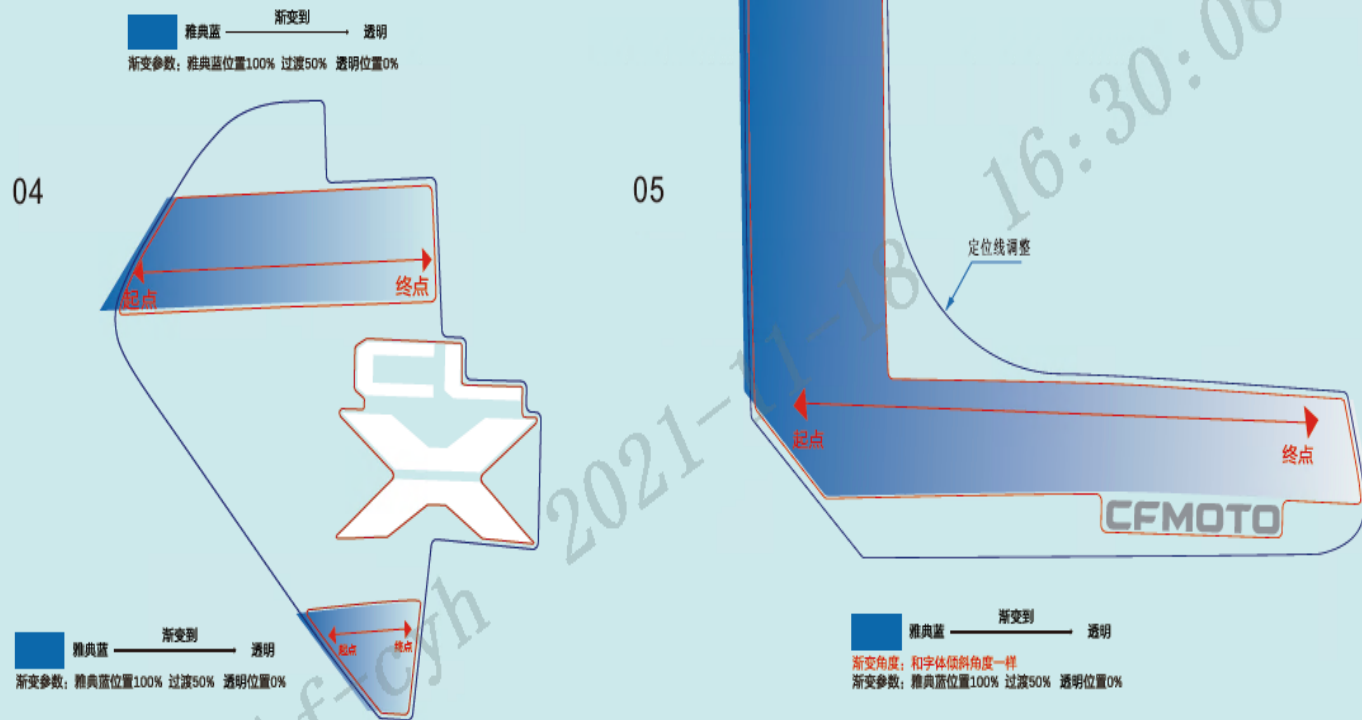
Item No.	Parts Number	Parts Name(EN)	Qty
1	6NQ#-190002-6002	INSTRUCTION LABEL, SAFETY WARNING	1
2	9GQA-190201-10000	WARNING LABEL, FUEL FILLING PORT	1
3	6KMV-190001-C200	INSTRUCTION LABEL, TIRE PRESSURE	1



## F19-2-A DECAL(NEBULA BLACK)

Item No.	Parts Number	Parts Name(EN)	Qty	Specification
01	6KMV-190101-C000-11	DECAL 1, FUEL TANK RH PANEL	1	
02	6KMV-190102-C000-11	DECAL 2, FUEL TANK RH PANEL	1	
03	6KMV-190103-C000-11	DECAL 3, FUEL TANK RH PANEL	1	
04	6KMV-190104-C000-11	DECAL 1, FUEL TANK LH PANEL	1	
05	6KMV-190105-C000-11	DECAL 2, FUEL TANK LH PANEL	1	
06	6KMV-190106-C000-11	RH DECAL, FRONT RIM	1	
07	6KMV-190107-C000-11	LH DECAL, FRONT RIM	1	
08	6KMV-190108-C000-11	RH DECAL, REAR RIM	1	
09	6KMV-190109-C000-11	LH DECAL, REAR RIM	1	
10	6KMV-190111-C000-11	DECAL, TAIL LIGHT RH DECO GUARD	1	
11	6KMV-190112-C000-11	DECAL, TAIL LIGHT LH DECO GUARD	1	
12	6KMV-190113-C000-10	ABS DECAL	2	

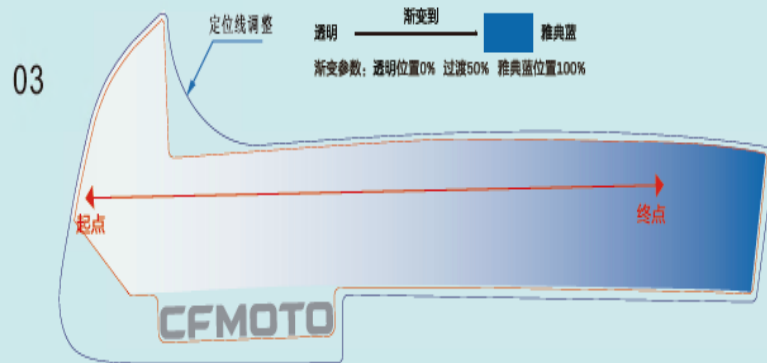
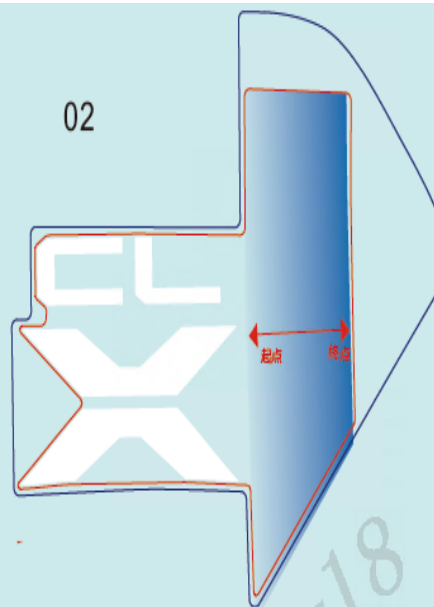
工件：油箱左外护板，外贴  
颜色星光黑，亮光面，材料ABS



特殊说明：序号5贴花处于人体接触区域，有耐磨需求。

序号	图号	名称	尺寸	数量	材料	表面效果	粘接弧度	粘接表面基材	粘接表面处理	备注
04	6KMV-190104-C000-11	油箱左护板贴花 I	152*146	1	3M 2008透明材料或PVC透明材料	亮光光油	3D大弧度	ABS	烤漆	
05	6KMV-190105-C000-11	油箱左护板贴花 II	223*159	1	PVC透明材料	亮光光油	3D小弧度	ABS	烤漆	有耐磨需求，采用正面印刷+覆膜工艺

工件：油箱右外护板，外贴  
颜色星光黑，亮光面，材料ABS



定位线调整  
透明 — 渐变到 — 雅典蓝  
渐变参数：透明位置0% 过渡50% 雅典蓝位置100%

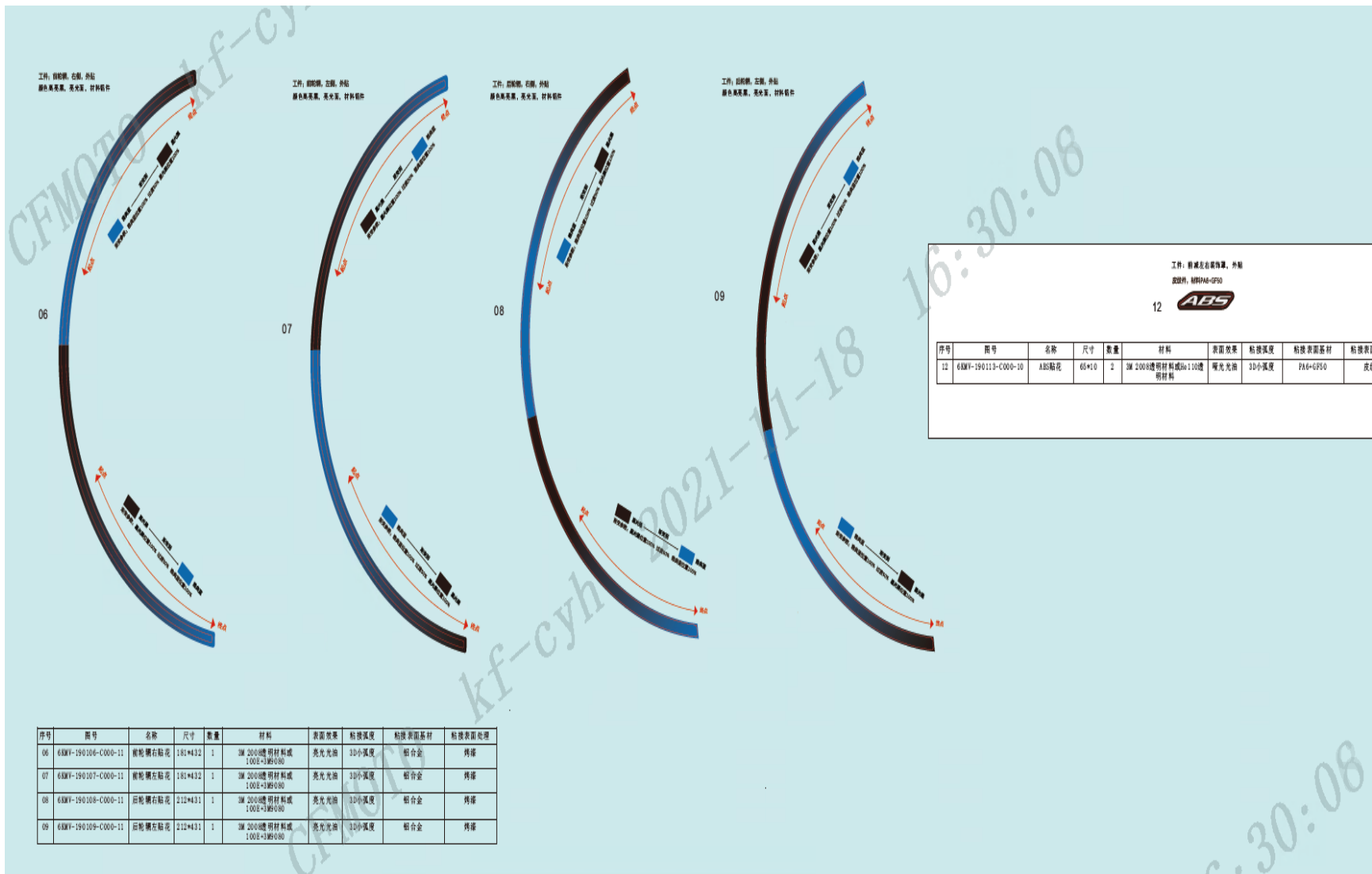
透明 — 渐变到 — 雅典蓝  
渐变角度：和字体倾斜角度一样  
渐变参数：透明位置0% 过渡50% 雅典蓝位置100%

透明 — 渐变到 — 雅典蓝  
渐变角度：和字体倾斜角度一样  
渐变参数：透明位置0% 过渡50% 雅典蓝位置100%

特殊说明：序号3贴花处于人体接触区域，有耐磨需求。

序号	图号	名称	尺寸	数量	材料	表面效果	粘接弧度	粘接表面基材	粘接表面处理	备注
01	6KMV-190101-C000-11	油箱右护板贴花 I	128*30	1	3M 2008透明材料或PVC透明材料	亮光光油	3D小弧度	ABS	烤漆	
02	6KMV-190102-C000-11	油箱右护板贴花 II	123*125	1	3M 2008透明材料或PVC透明材料	亮光光油	3D大弧度	ABS	烤漆	
03	6KMV-190103-C000-11	油箱右护板贴花 III	253*80	1	PVC透明材料	亮光光油	3D小弧度	ABS	烤漆	有耐磨需求，采用正面印刷+覆膜工艺





工作: 胶贴, 右侧, 外贴  
颜色: 高光黑, 亮水蓝, 材料颜色

工作: 胶贴, 左侧, 外贴  
颜色: 高光黑, 亮水蓝, 材料颜色

工作: 胶贴, 右侧, 外贴  
颜色: 高光黑, 亮水蓝, 材料颜色

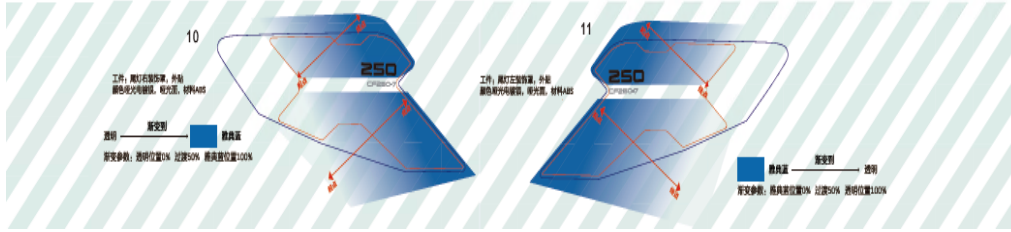
工作: 胶贴, 左侧, 外贴  
颜色: 高光黑, 亮水蓝, 材料颜色

工作: 磨减及在磨得薄, 外贴  
材料: 材料PA6-GF30



序号	图号	名称	尺寸	数量	材料	表面效果	粘接弧度	粘接表面基材	粘接表面处理
06	6KW-190106-C000-11	前灯罩右贴花	181*432	1	3M 2008透明材料或100E-3胶0.80	亮光光油	3D小弧度	铝合金	烤漆
07	6KW-190107-C000-11	前灯罩左贴花	181*432	1	3M 2008透明材料或100E-3胶0.80	亮光光油	3D小弧度	铝合金	烤漆
08	6KW-190108-C000-11	后灯罩右贴花	212*431	1	3M 2008透明材料或100E-3胶0.80	亮光光油	3D小弧度	铝合金	烤漆
09	6KW-190109-C000-11	后灯罩左贴花	212*431	1	3M 2008透明材料或100E-3胶0.80	亮光光油	3D小弧度	铝合金	烤漆

序号	图号	名称	尺寸	数量	材料	表面效果	粘接弧度	粘接表面基材	粘接表面处理
12	6KW-190113-C000-10	ABS贴花	65*10	2	3M 2008透明材料或100透明材料	亮光光油	3D小弧度	PA6-GF30	夜光



工作: 胶灯罩拆薄, 外贴  
颜色: 亮水蓝电镜色, 亮水蓝, 材料PA65

工作: 胶灯罩拆薄, 外贴  
颜色: 亮水蓝电镜色, 亮水蓝, 材料PA65

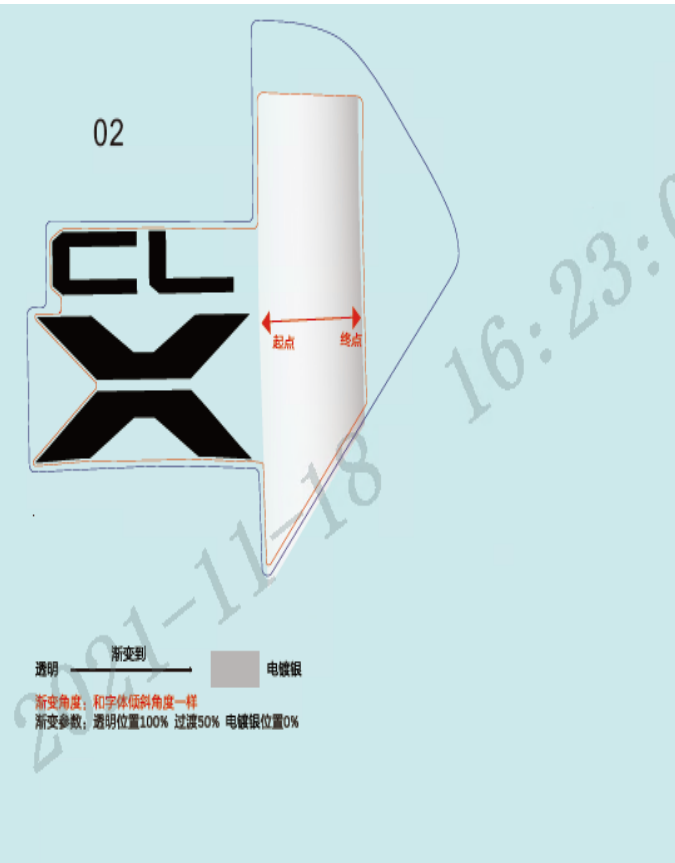
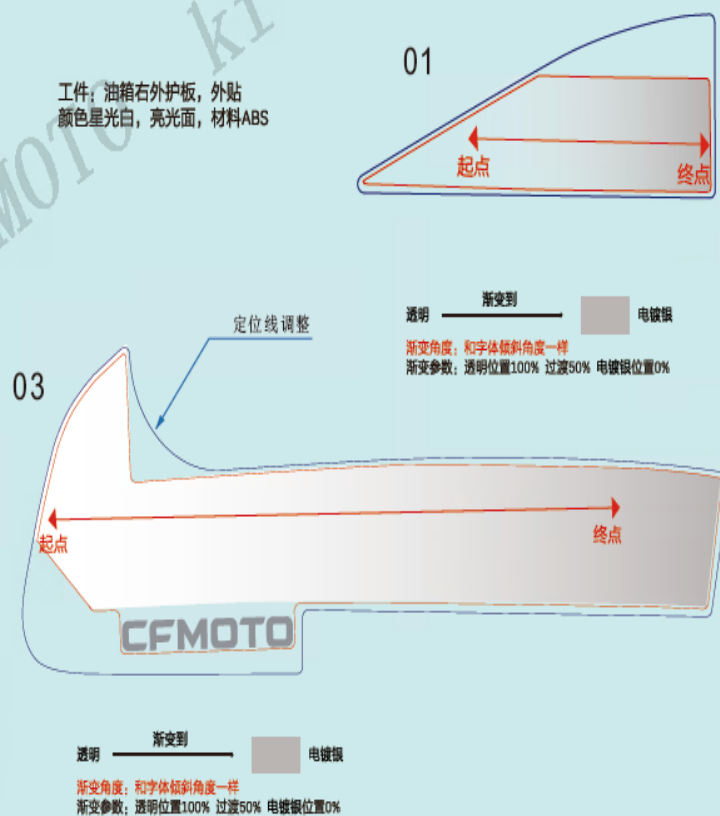
序号	图号	名称	尺寸	数量	材料	表面效果	粘接弧度	粘接表面基材	粘接表面处理
10	6KW-190111-C000-11	尾灯右置物罩贴花	184*80	1	3M 2008透明材料或VQ透明材料	亮光光油	3D大弧度	ABS	烤漆, 亮水蓝电镜色
11	6KW-190112-C000-11	尾灯左置物罩贴花	184*80	1	3M 2008透明材料或VQ透明材料	亮光光油	3D小弧度	ABS	烤漆, 亮水蓝电镜色



## F19-2-B DECAL(NEBULA WHITE)

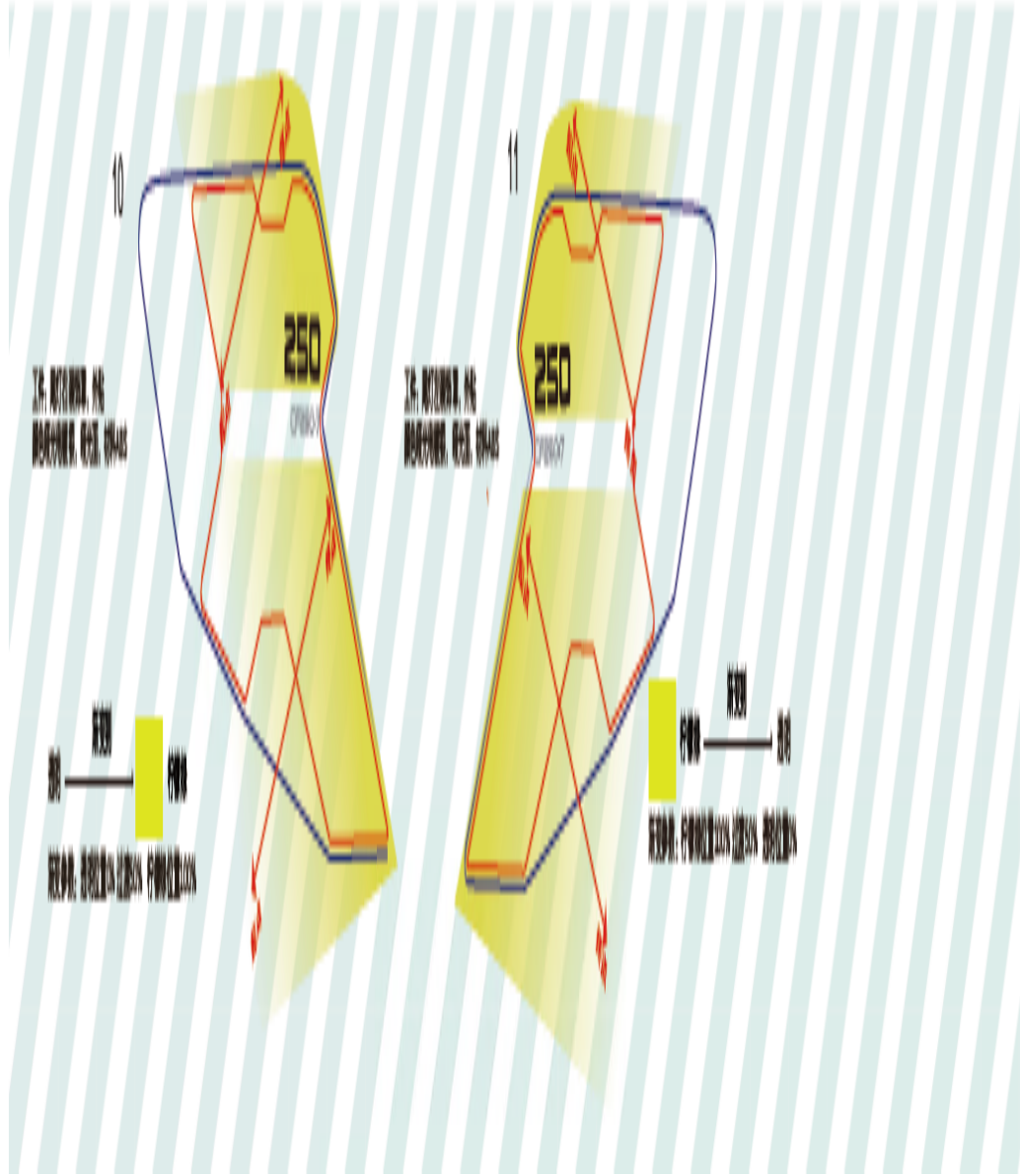
Item No.	Parts Number	Parts Name(EN)	Qty	Specification
01	6KMV-190101-C000-10	DECAL 1, FUEL TANK RH PANEL	1	
02	6KMV-190102-C000-10	DECAL 2, FUEL TANK RH PANEL	1	
03	6KMV-190103-C000-10	DECAL 3, FUEL TANK RH PANEL	1	
04	6KMV-190104-C000-10	DECAL 1, FUEL TANK LH PANEL	1	
05	6KMV-190105-C000-10	DECAL 2, FUEL TANK LH PANEL	1	
06	6KMV-190106-C000-10	RH DECAL, FRONT RIM	1	
07	6KMV-190107-C000-10	LH DECAL, FRONT RIM	1	
08	6KMV-190108-C000-10	RH DECAL, REAR RIM	1	
09	6KMV-190109-C000-10	LH DECAL, REAR RIM	1	
10	6KMV-190111-C000-10	DECAL, TAIL LIGHT RH DECO GUARD	1	
11	6KMV-190112-C000-10	DECAL, TAIL LIGHT LH DECO GUARD	1	
12	6KMV-190113-C000-10	ABS DECAL	2	

工件：油箱右外护板，外贴  
颜色星光白，亮光面，材料ABS



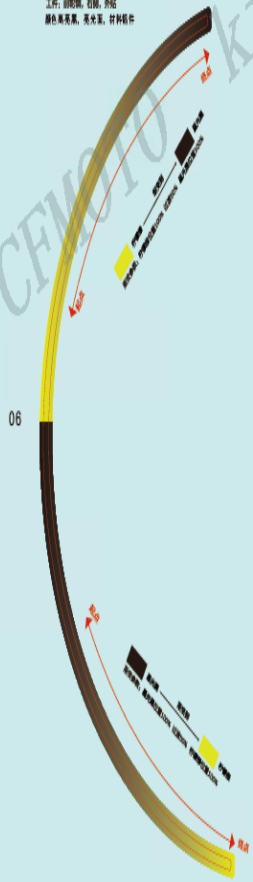
特殊说明：序号3贴花处于人体接触区域，有耐磨需求。

序号	图号	名称	尺寸	数量	材料	表面效果	粘接弧度	粘接表面基材	粘接表面处理	备注
01	6KMV-190101-C000-10	油箱右护板贴花I	128*30	1	3M 2008透明材料或PVC透明材料	亮光光油	3D小弧度	ABS	烤漆	
02	6KMV-190102-C000-10	油箱右护板贴花II	123*125	1	3M 2008透明材料或PVC透明材料	亮光光油	3D大弧度	ABS	烤漆	
03	6KMV-190103-C000-10	油箱右护板贴花III	253*80	1	PVC透明材料	亮光光油	3D小弧度	ABS	烤漆	有耐磨需求，采用正面印刷+覆膜工艺

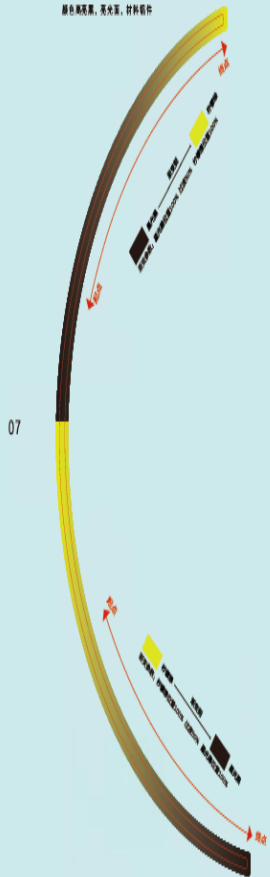


序号	型号	名称	尺寸	数量	材料	使用效果	结构图例	结构图备注	结构图处理
10	16KW-15011-C00-10	筒灯右置物架底座	184*60	1	3M 2000透明材料或PC透明材料	筒灯光效	3D效果图	AS	外置筒灯光电暖色
11	16KW-15012-C00-10	筒灯左置物架底座	184*60	1	3M 2000透明材料或PC透明材料	筒灯光效	3D效果图	AS	外置筒灯光电暖色

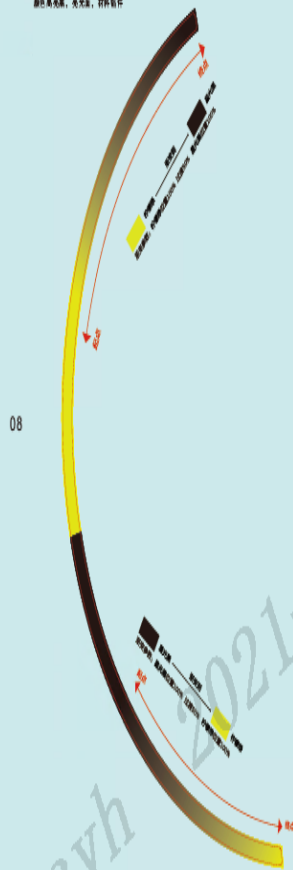
工件: 前轮圈, 右侧, 外胎  
颜色效果: 亮水蓝, 材料零件



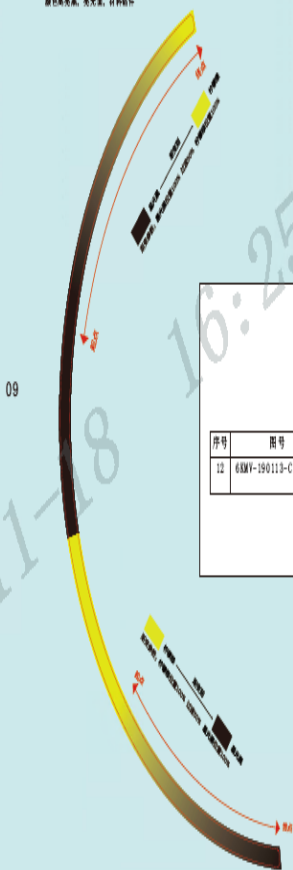
工件: 前轮圈, 左侧, 外胎  
颜色效果: 亮水蓝, 材料零件



工件: 后轮圈, 右侧, 外胎  
颜色效果: 亮水蓝, 亮水蓝, 材料零件



工件: 后轮圈, 左侧, 外胎  
颜色效果: 亮水蓝, 亮水蓝, 材料零件



工件: 前减左右侧饰罩, 冲制

设计: MIPM-GFSO

12



序号	图号	名称	尺寸	数量	材料	表面效果	粘接弧度	粘接表面基材	粘接表面处理
12	6XMF-190112-C000-10	ABS黏花	68*10	2	3M 180mm透明材料制成100透明材料	亮光油	20小弧度	PA6-GFSO	烤漆

序号	图号	名称	尺寸	数量	材料	表面效果	粘接弧度	粘接表面基材	粘接表面处理
06	6XMF-190106-C000-10	前轮圈右黏花	181*432	1	3M 2008透明材料制成1008-3M9030	亮光油	20小弧度	铝合金	烤漆
07	6XMF-190107-C000-10	前轮圈左黏花	181*432	1	3M 2008透明材料制成1008-3M9030	亮光油	20小弧度	铝合金	烤漆
08	6XMF-190108-C000-10	后轮圈右黏花	212*431	1	3M 2008透明材料制成1008-3M9030	亮光油	20小弧度	铝合金	烤漆
09	6XMF-190109-C000-10	后轮圈左黏花	212*431	1	3M 2008透明材料制成1008-3M9030	亮光油	20小弧度	铝合金	烤漆

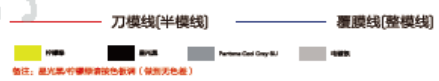
cyh

# CF250-7 贴花

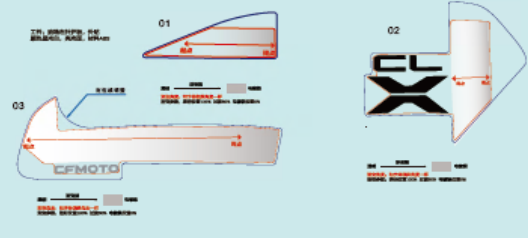
星光白配色

6KMV-190100-C000-10 个性贴花总成

贴花底材图例  
(仅适用于白底贴, 其他底材材料以图备注)  
透明亮光  
透明哑光



特殊说明: 图底表格内的材料为常用推荐材料, 允许使用其他满足使用要求或性能与推荐材料相当的替代材料。

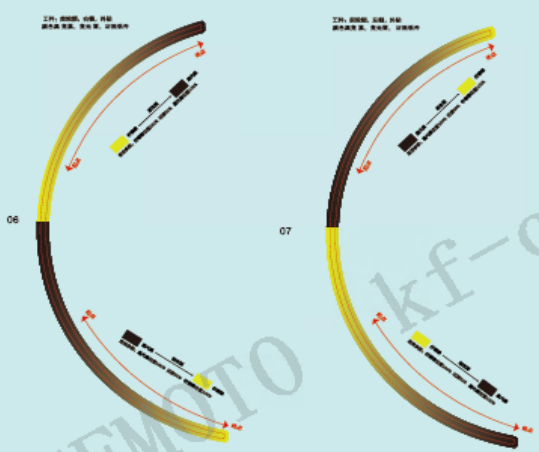


特殊说明: 序号03贴花处千人标接触区域, 有耐刮要求。

特殊说明: 序号05贴花处千人标接触区域, 有耐刮要求。

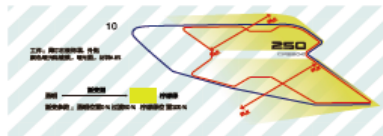
序号	图号	名称	尺寸	数量	材料	表面处理	胶卷厚度	胶卷厚度基材	胶卷厚度公差	备注
01	6KMV-190100-C000-01	侧盖左字模贴总汇	222*96	1	2# 244透明材料+UV透明材料	星光白漆	245	背漆		
02	6KMV-190100-C000-02	侧盖右字模贴总汇	102*121	1	2# 244透明材料+UV透明材料	星光白漆	245	背漆		
03	6KMV-190100-C000-03	侧盖左字模贴总汇	222*96	1	PVC透明材料	星光白漆	245	背漆	有耐刮要求, 需在工厂进行耐刮测试。	

序号	图号	名称	尺寸	数量	材料	表面处理	胶卷厚度	胶卷厚度基材	胶卷厚度公差	备注
04	6KMV-190100-C000-04	侧盖左字模贴总汇	102*121	1	2# 244透明材料+UV透明材料	星光白漆	245	背漆		
05	6KMV-190100-C000-05	侧盖右字模贴总汇	222*96	1	PVC透明材料	星光白漆	245	背漆	有耐刮要求, 需在工厂进行耐刮测试。	



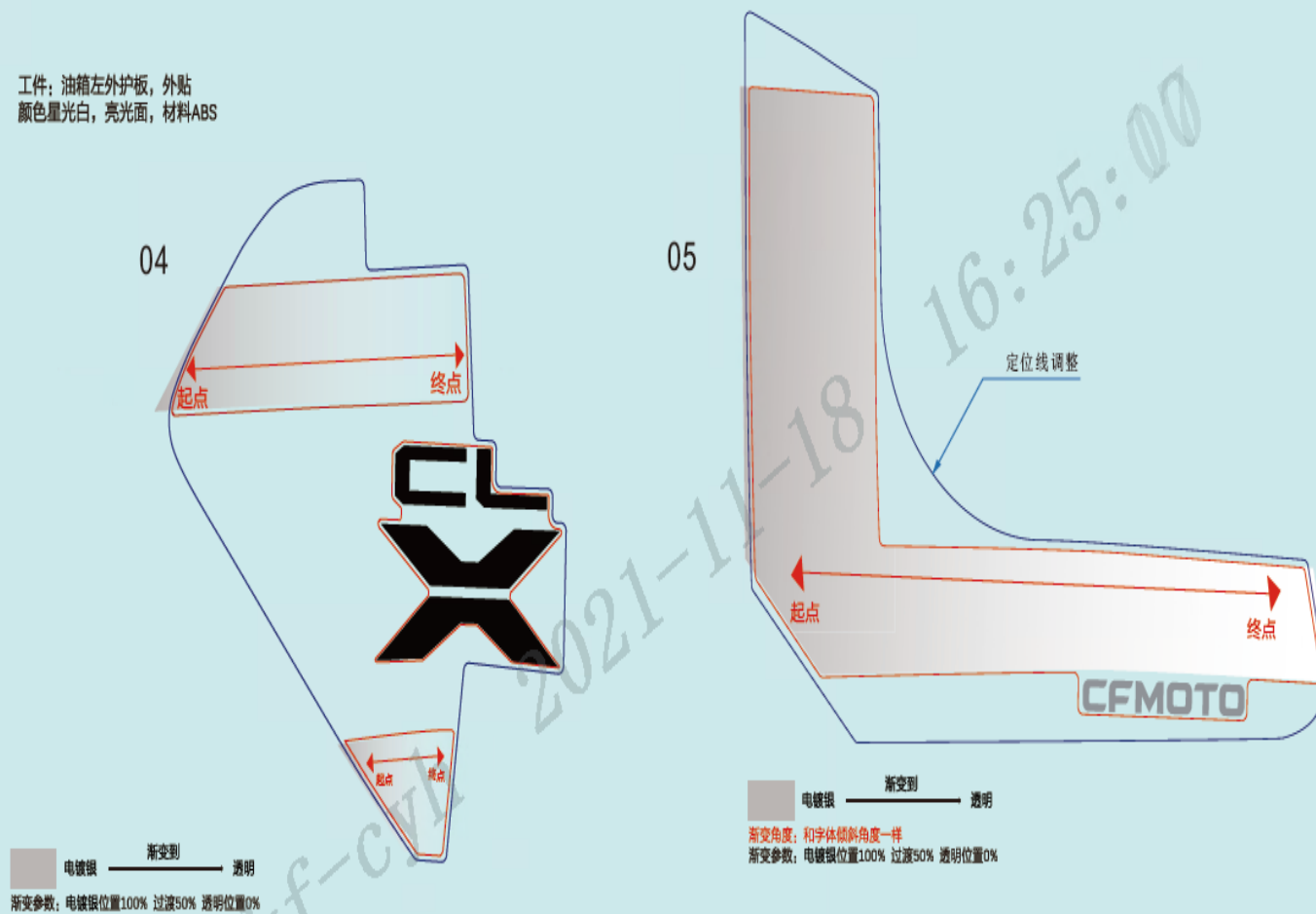
序号	图号	名称	尺寸	数量	材料	表面处理	胶卷厚度	胶卷厚度基材	胶卷厚度公差	备注
12	6KMV-190100-C000-12	侧盖左字模贴总汇	482*110	1	2# 244透明材料+UV透明材料	星光白漆	245	背漆	744-4716	有胶

序号	图号	名称	尺寸	数量	材料	表面处理	胶卷厚度	胶卷厚度基材	胶卷厚度公差	备注
16	6KMV-190100-C000-16	侧盖左字模贴总汇	181*132	1	2# 244透明材料+UV透明材料	星光白漆	245	背漆		
17	6KMV-190100-C000-17	侧盖左字模贴总汇	181*132	1	2# 244透明材料+UV透明材料	星光白漆	245	背漆		
18	6KMV-190100-C000-18	侧盖左字模贴总汇	212*143	1	2# 244透明材料+UV透明材料	星光白漆	245	背漆		
19	6KMV-190100-C000-19	侧盖左字模贴总汇	212*143	1	2# 244透明材料+UV透明材料	星光白漆	245	背漆		



序号	图号	名称	尺寸	数量	材料	表面处理	胶卷厚度	胶卷厚度基材	胶卷厚度公差	备注
10	6KMV-190100-C000-10	侧盖左字模贴总汇	181*132	1	2# 244透明材料+UV透明材料	星光白漆	245	背漆		
11	6KMV-190100-C000-11	侧盖左字模贴总汇	181*132	1	2# 244透明材料+UV透明材料	星光白漆	245	背漆		

工件：油箱左外护板，外贴  
颜色星光白，亮光面，材料ABS

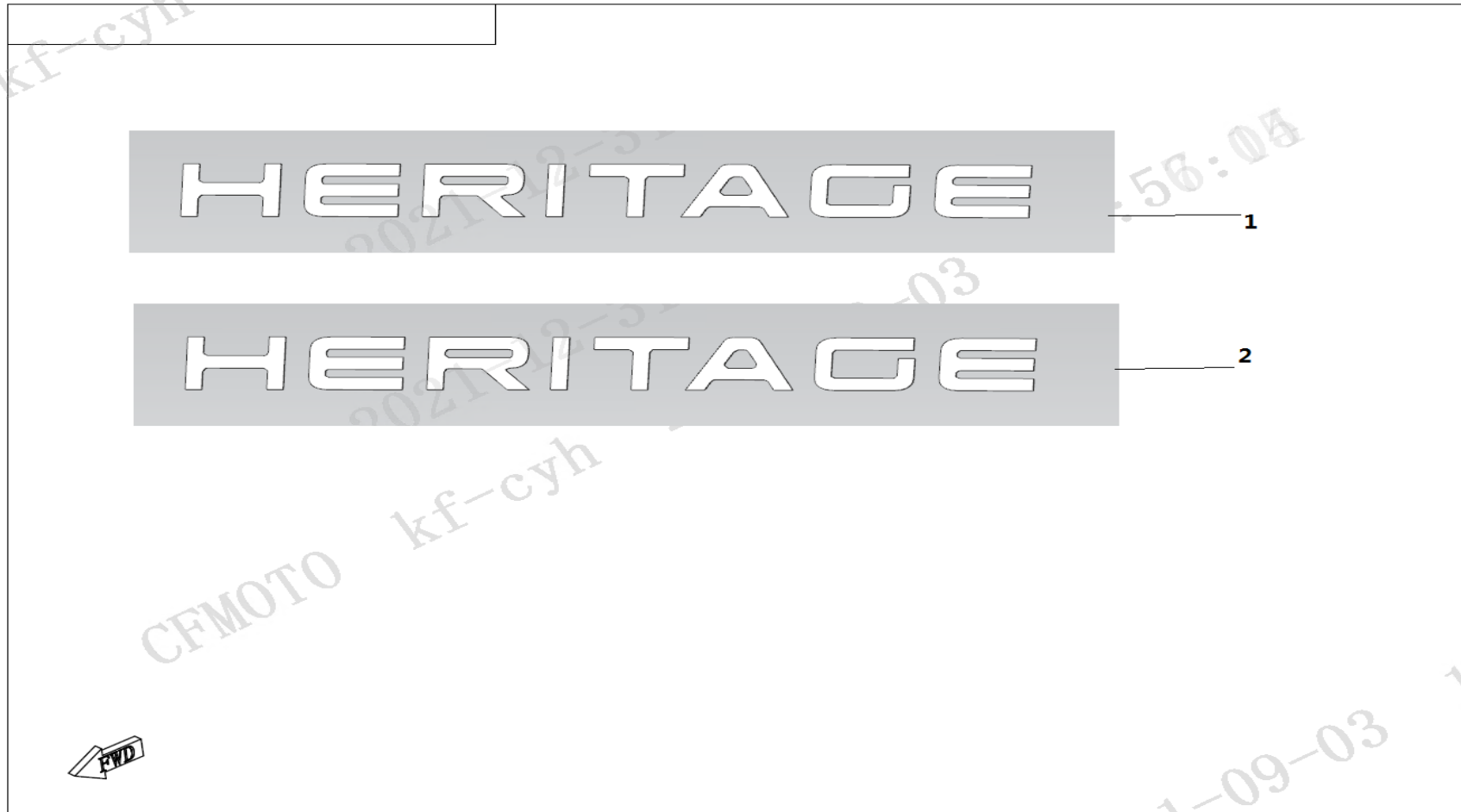


特殊说明：序号5贴花处于人体接触区域，有耐磨需求。

序号	图号	名称	尺寸	数量	材料	表面效果	粘接弧度	粘接表面基材	粘接表面处理	备注
04	6KMV-190104-C000-10	油箱左护板贴花 I	152*146	1	3M 2008透明材料或PVC透明材料	亮光光油	3D大弧度	ABS	烤漆	
05	6KMV-190105-C000-10	油箱左护板贴花 II	223*159	1	PVC透明材料	亮光光油	3D小弧度	ABS	烤漆	有耐磨需求，采用正面印刷+覆膜工艺

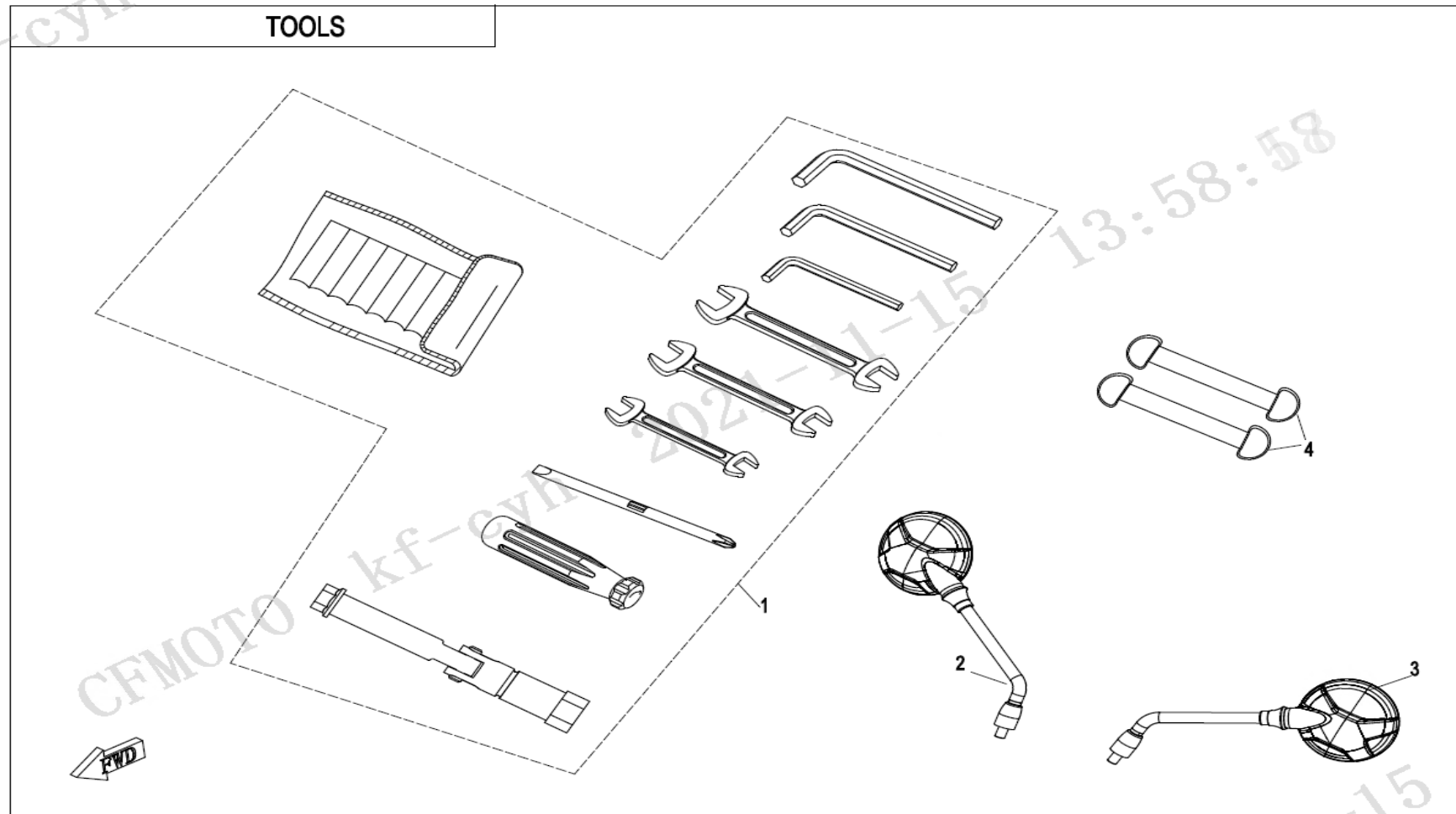
## F19-3-B BEACON, DECO PLATE(NEBULA WHITE)

Item No.	Parts Number	Parts Name(EN)	Qty	Specification
01	6KMV-190001-C100	LH BEACON, DECO PLATE	1	
02	6KMV-190002-C100	RH BEACON, DECO PLATE	1	



## F20 TOOLS

Item No.	Parts Number	Parts Name(EN)	Qty	Specification
01	6KMV-200100-C000	TOOL KIT	1	
02	6KMV-200300-C000	RH REAR VIEW MIRROR ASSY	1	
03	6KMV-200200-C000	LH REAR VIEW MIRROR ASSY	1	
04	8010-000012	TIE BAND ASSY	2	

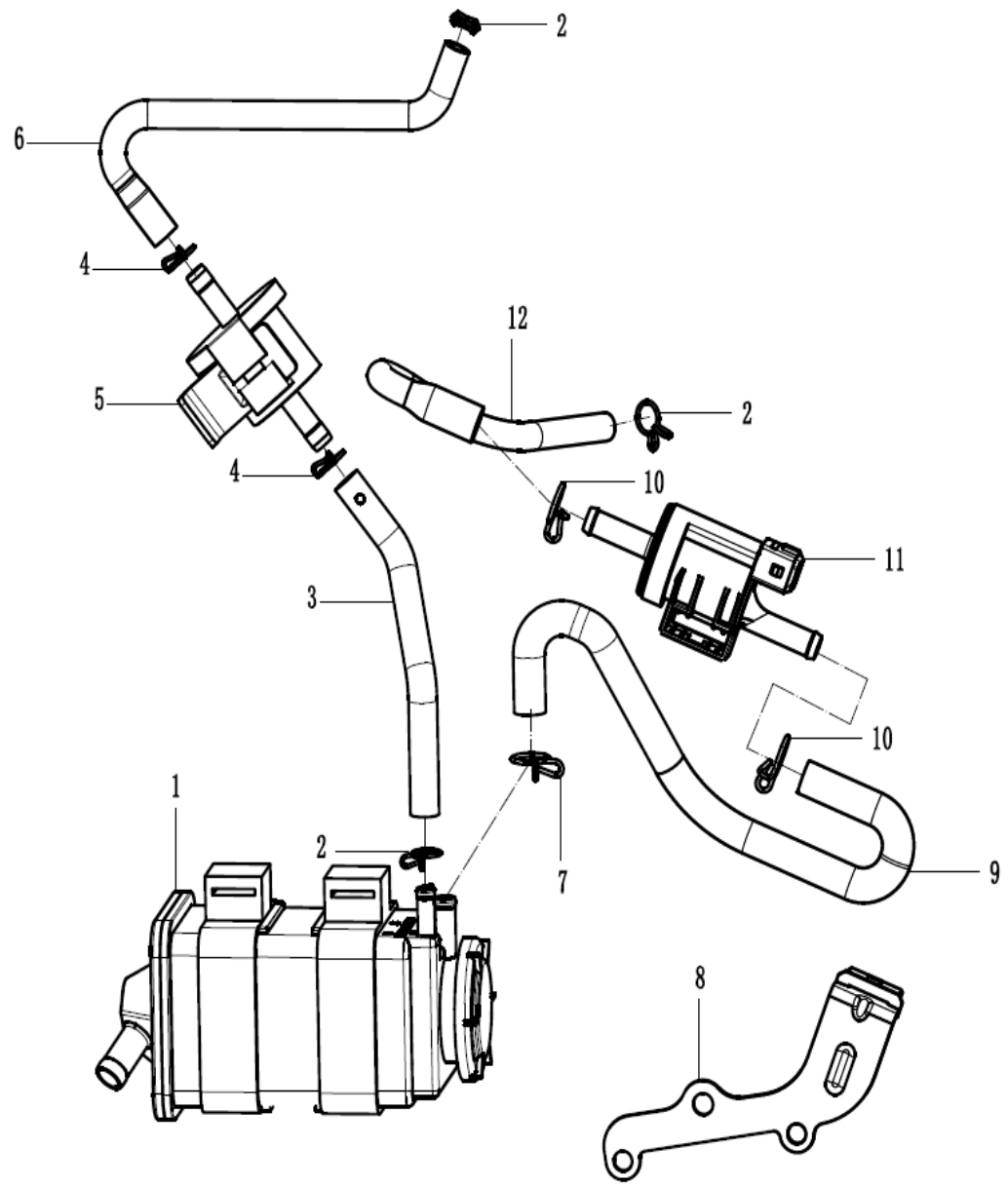




## F36 FUEL VAPORIZATION SYSTEM

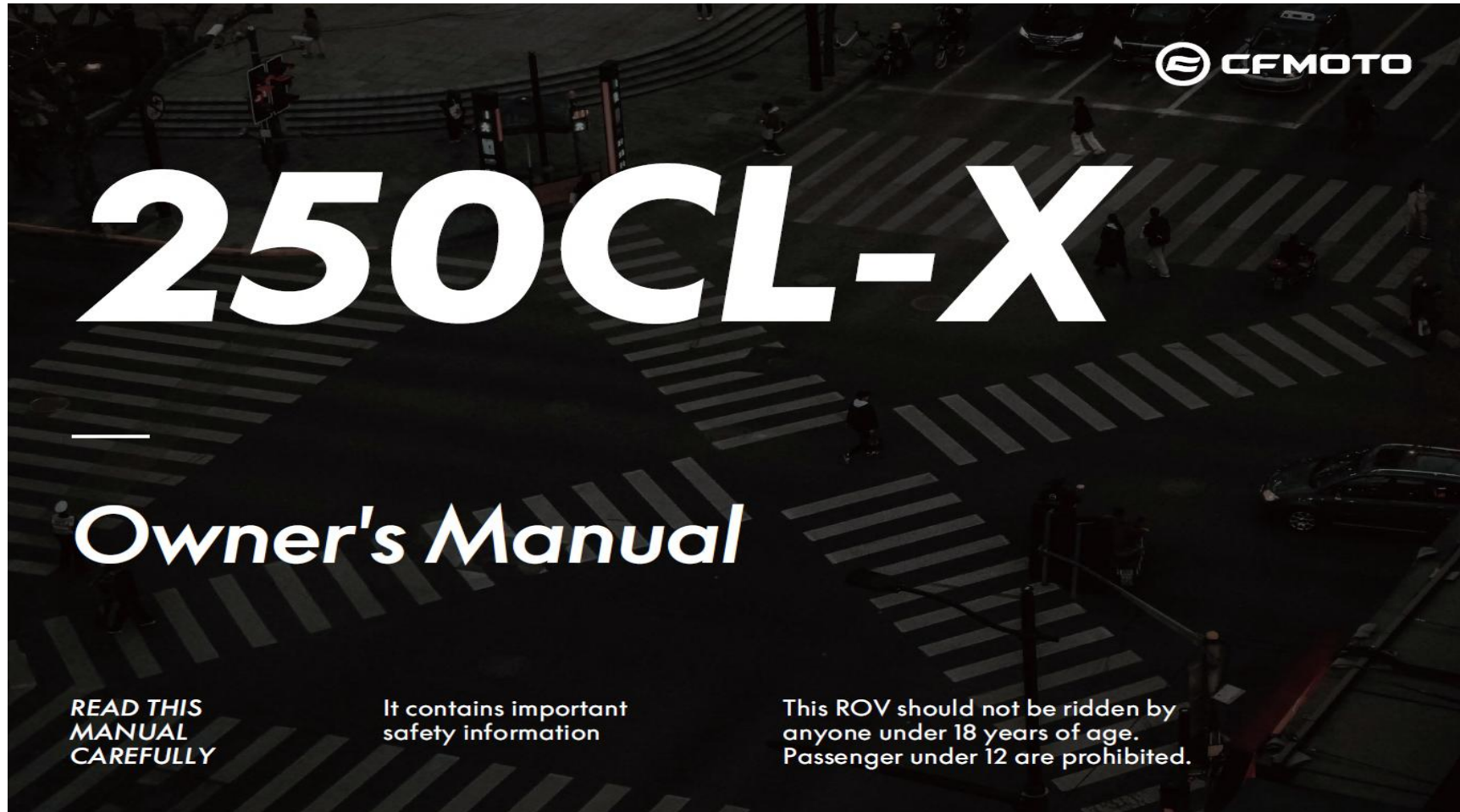
Item No.	Parts Number	Parts Name(EN)	Qty	Specification
01	6NT1-360200	CANISTER	1	
02	30601-109010	JOINT, HEAT TRANSMIT PIPE	3	
03	6KMV-360002-C000	FUEL VAPOR ADSORPTION HOSE 2	1	
04	30601-110010	CLAMP A10	2	A10
05	9GQ0-360100	TWO-WAY VALVE	1	
06	6KMV-360001-C000	FUEL VAPOR ADSORPTION HOSE 1	1	
07	30601-111010	CLAMP A11	1	A11
08	6KMV-030030-9000	BRACKET, SOLENOID VALVE	1	
09	6KMV-360001-9000	FUEL VAPOR HOSE 3	1	
10	30601-112010	CLAMP A12	2	A12
11	1F30-172000	CANISTER MAGNETIC VALVE	1	
12	6KMV-360002-9000	FUEL VAPOR HOSE 4	1	

# FUEL EVAPORATION SYSTEM



## F38 OWNER\`S MANUAL (EU 5)

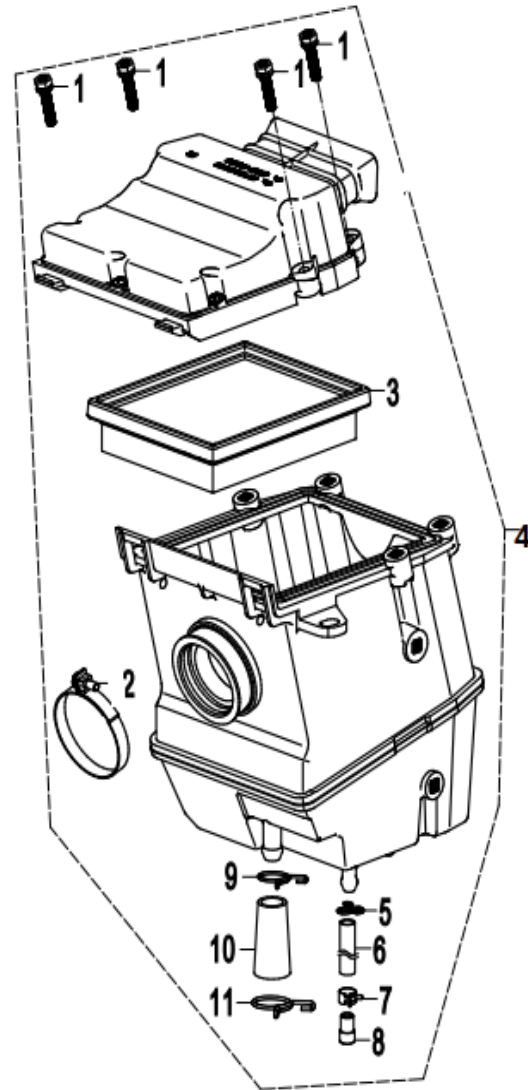
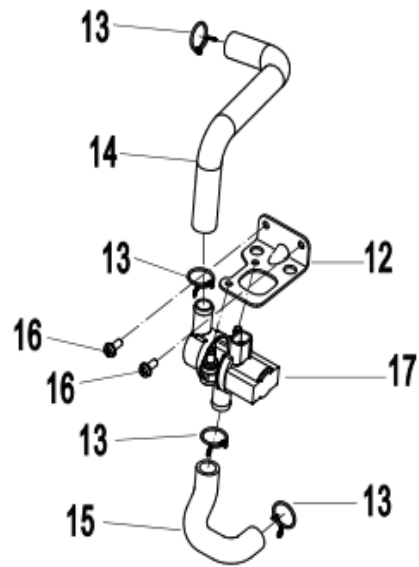
Item No.	Parts Number	Parts Name(EN)	Qty	Specification
01	6KMV-380101-C200-12	FOLDOUT, OWNERS MANUAL	1	



## F41 AIR FILTER

Item No.	Parts Number	Parts Name(EN)	Qty	Specification
01	30114-060025470	SCREW ASSY M6x25	4	M6x25
02	ODM0-110200	CLAMP ASSY	1	
03	ODM0-110100	AIR FILTER ASSY	1	
04	ODNA-110000-10001	AIR FILTER ASSY	1	
05	30601-110010	CLAMP A10	1	A10
06	ODM0-110010-10000	OIL STORAGE HOSE	1	
07	30601-210530	CLAMP B10.5	1	B10.6
08	ODM0-110012	PLUG, OIL STORAGE HOSE	1	
09	30601-116520	CLAMP A16.5	1	
10	ODM0-110009	BREATHER HOSE	1	
11	30601-120030	CLAMP A20	1	A20
12	OHU0-110010	BRACKET, SECONDARY GULP VALVE	1	
13	30601-118010	CLAMP A18	4	
14	OHU0-110002-10000	AIR OUTLET PIPE, GULP VALVE	1	
15	OHU0-110001-10000	AIR INLET PIPE, GULP VALVE	1	
16	30112-050012410	SCREW ASSY M5x12	2	M5x12
17	OHU0-179000	GULP VLAVE	1	

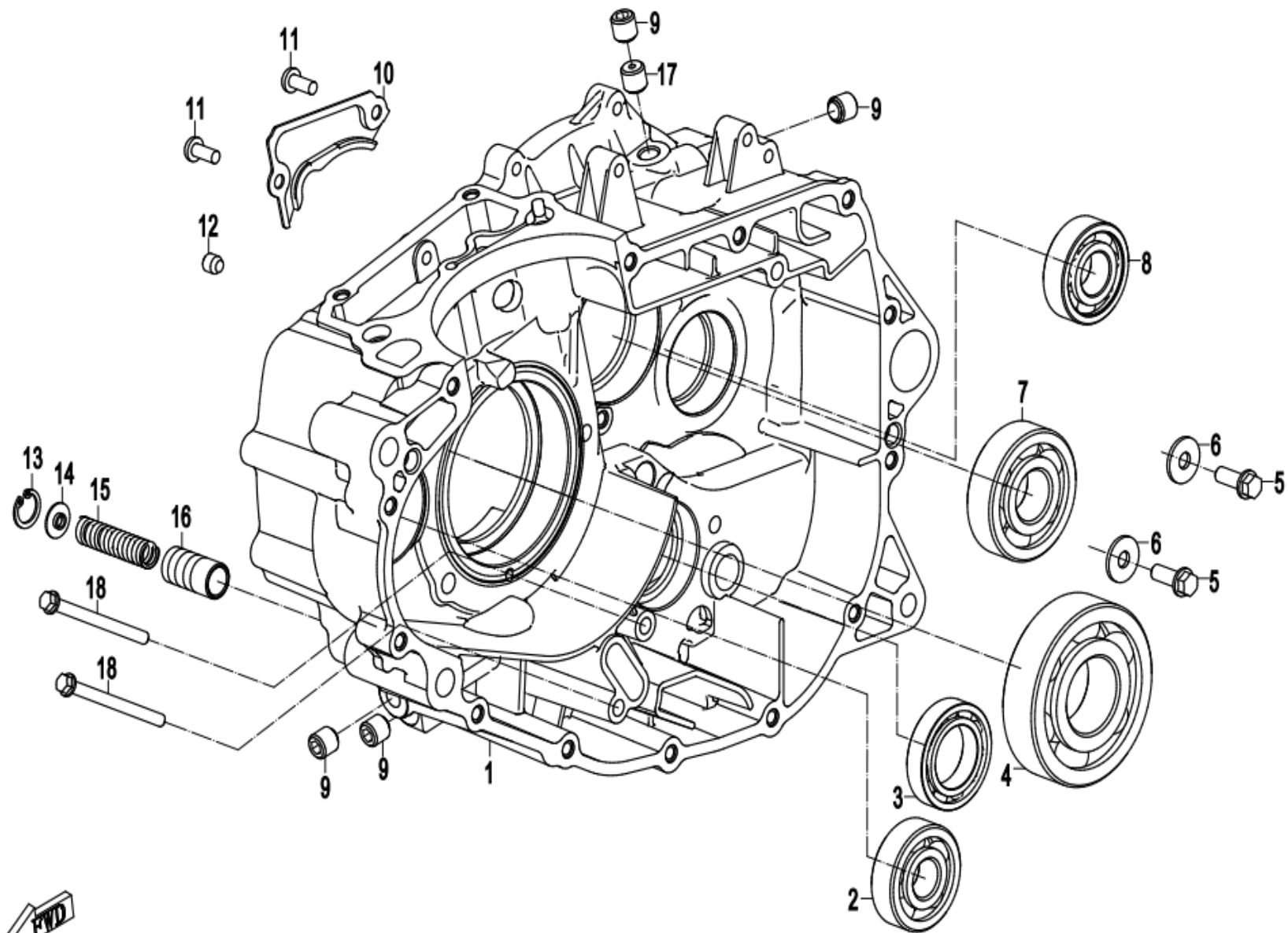
# AIR FILTER



## E01-1 RIGHT CRANKCASE

Item No.	Parts Number	Parts Name(EN)	Qty	Specification
01	ODM0-012010-0BP03	RH CRANKCASE ASSY	1	
01	ODM0-012010-2BP00	RH CRANKCASE ASSY	1	
02	30499-01507	BEARING	1	
03	30499-02506	BEARING	1	
04	30499-03001	BEARING	1	
05	0010-090005-0010	BOLT M6x16	2	M6x16
06	30305-060112	WASHER	2	6
07	30499-02005	BEARING	1	
08	30499-01701	BEARING	1	
09	01A0-012010-00001	SCREW	4	
10	ODM0-012001	VENTILATED COVER PLATE	1	
11	30105-050012890	SCREW M5x12	2	M5x12
12	0A70-013004	PLUG	1	
13	30800-01405	CIRCLIP FOR HOLE 14	1	14
14	0800-073004	SPRING SEAT, RELIEF VALVE	1	
15	01A0-012007	SPRING, RELIEF VALVE	1	
16	ODM0-012003	CORE, RELIEF VALVE	1	
17	ODM0-012002	RESTRICTION PLUG	1	
18	0020-011018-0010	BOLT M6x70	2	M6x70
18	0020-011018-00001	BOLT	1	

# RIGHT CRANKCASE

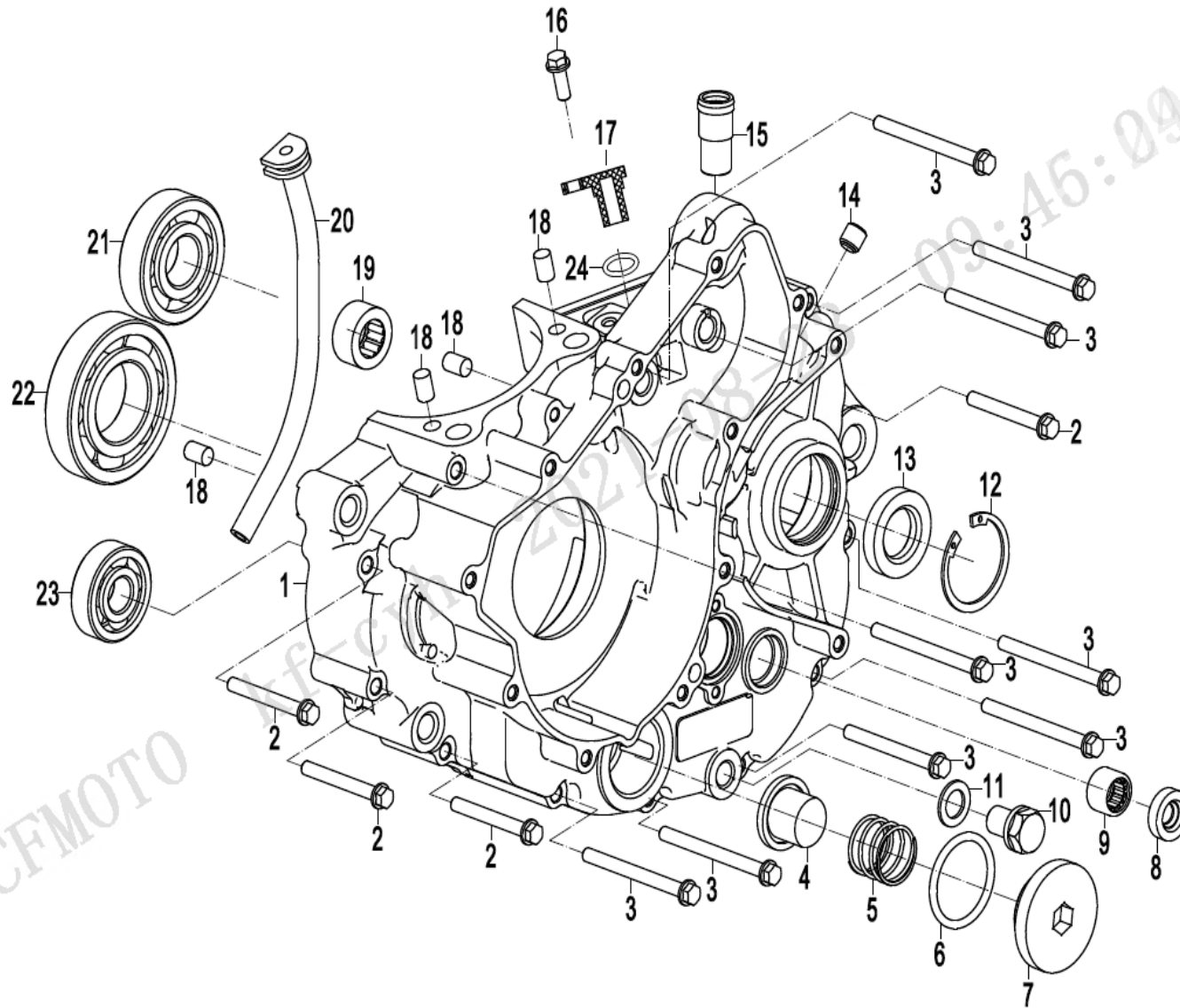


## E01-2 LEFT CRANKCASE

Item No.	Parts Number	Parts Name(EN)	Qty	Specification
01	ODM0-011010-0BP03	LH CRANKCASE	1	
01	ODM0-011010-2BP00	LH CRANKCASE ASSY	1	
02	0010-013010-0010	BOLT M6x50	4	M6x50
03	0020-011018-0010	BOLT M6x70	9	M6x70
03	0020-011018-00001	BOLT	9	
04	ODM0-011030	OIL STRAINER	1	
05	01A0-012009	SCREEN SPRING	1	
06	01A0-012003	O-SEAL RING 35x3.5	1	35x3.5
07	01A0-012002-0HB00	STRAINER COVER	1	
08	0700-065220	OIL SEAL 13x22x5.5	1	13x22x5.5
09	30403-01300	NEEDLE BEARING HK1312	1	HK1312
10	0180-011500	DRAIN BOLT, MAGNETIC M12X1.5	1	M12x1.5
11	0010-021014	WASHER 12	1	12
12	30800-04005	CIRCLIP FOR HOLE	1	
13	ODM0-011007	OIL SEAL 22x38x7	1	
14	01A0-012010-00001	SCREW	1	
15	0700-011103	PIPE BREATHER	1	
16	0010-090005-0010	BOLT M6x16	1	M6x16
17	ODM0-011060	PLUG, SPEED SENSOR	1	
18	30410-00800	ROLLER	4	
19	ODM0-011050	BEARING 17x27x13	1	
20	ODM0-011005	OIL RETURN PIPE,ENGINE	1	
21	30499-02201	BEARING	1	
22	30499-03501	BEARING	1	
23	30499-01507	BEARING	1	
24	ODM0-011006	O-SEAL RING 13x2	1	



# LEFT CRANKCASE ASSY

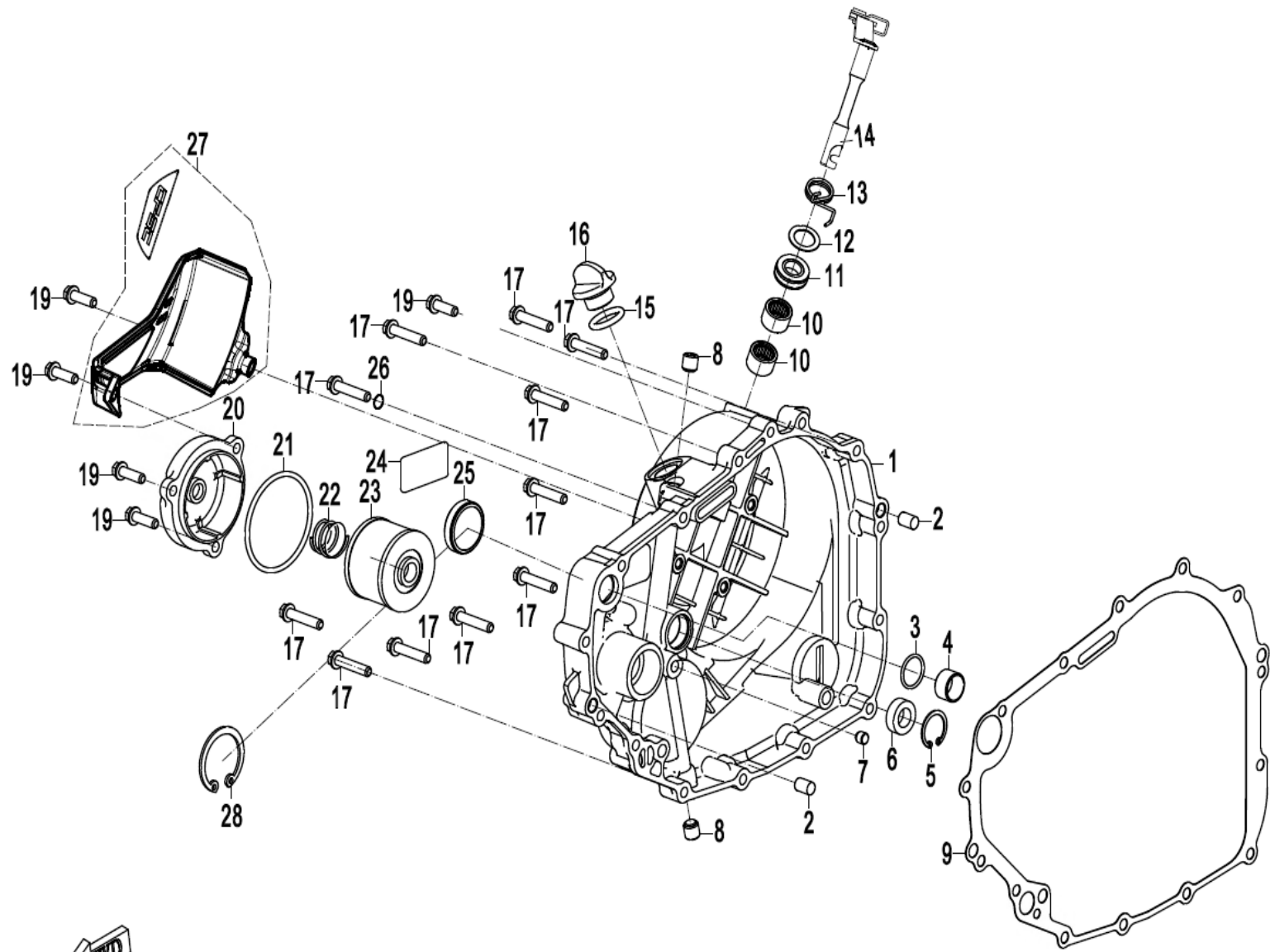


2023-08-23 09:46:09

## E01-3 RIGHT SIDE COVER(SLIPPING CLUTCH)

Item No.	Parts Number	Parts Name(EN)	Qty	Specification
01	ODMB-013005-1HB01	RH SIDE COVER	1	SILVER GREY
02	30410-00800	ROLLER	2	
03	30502-018000F	O-RING	1	
04	ODM0-013002	WATER PIPE	1	
05	30800-02205	CIRCLIP FOR HOLE	1	22
06	ODM0-013007	OIL SEAL,CRANKCASE	1	
07	0A70-013004	PLUG	1	
08	01A0-012010-00001	SCREW	2	
09	ODM0-013001-00001	GASKET, RH SIDE COVER	1	
10	30403-01200	NEEDLE BEARING HK1210	2	HK1210
11	0010-080009	OIL SEAL 12x20x5	1	12x20x5
12	0700-013007-10000	WASHER 12.5x18.5x0.6	1	
12	0700-013007	WASHER 12.5x18.5x0.6	1	12.5x18.5x0.6
13	0700-013006-10000	RETURN SPRING, CLUTCH LEVER	1	
14	ODMB-013300-00003	CLUTCH CONTROL SHAFT ASSY	1	
15	0110-013030	O-SEAL RING 18x3.55	1	18x3.55
16	0700-013008	PLUG, OIL FILLING	1	
17	0010-060012-0010	BOLT M6x30	11	M6x30
19	0010-023010-0010	BOLT M6x20	5	M6x20
20	ODM0-013003-0HB01	STRAINER COVER	1	
21	30502-057000F	O-RING 57x3	1	57x3
22	ODM0-013009	SPRING, FILTER ELEMENT	1	
23	ODM0-013200	OIL FILTER ASSY, ENGINE	1	
24	ODM0-013008	INSTRUCTION LABEL, OIL FILLING	1	
24	ODM0-013008-10000	INSTRUCTION LABEL, OIL FILLING	1	
25	0700-013100-00001	VIEWER, OIL LEVEL	1	
26	0700-012201	O-SEAL RING 5x2	1	5x2
27	ODMB-019000	DECO COVER	1	
28	OHU0-013009	RETAINER	1	

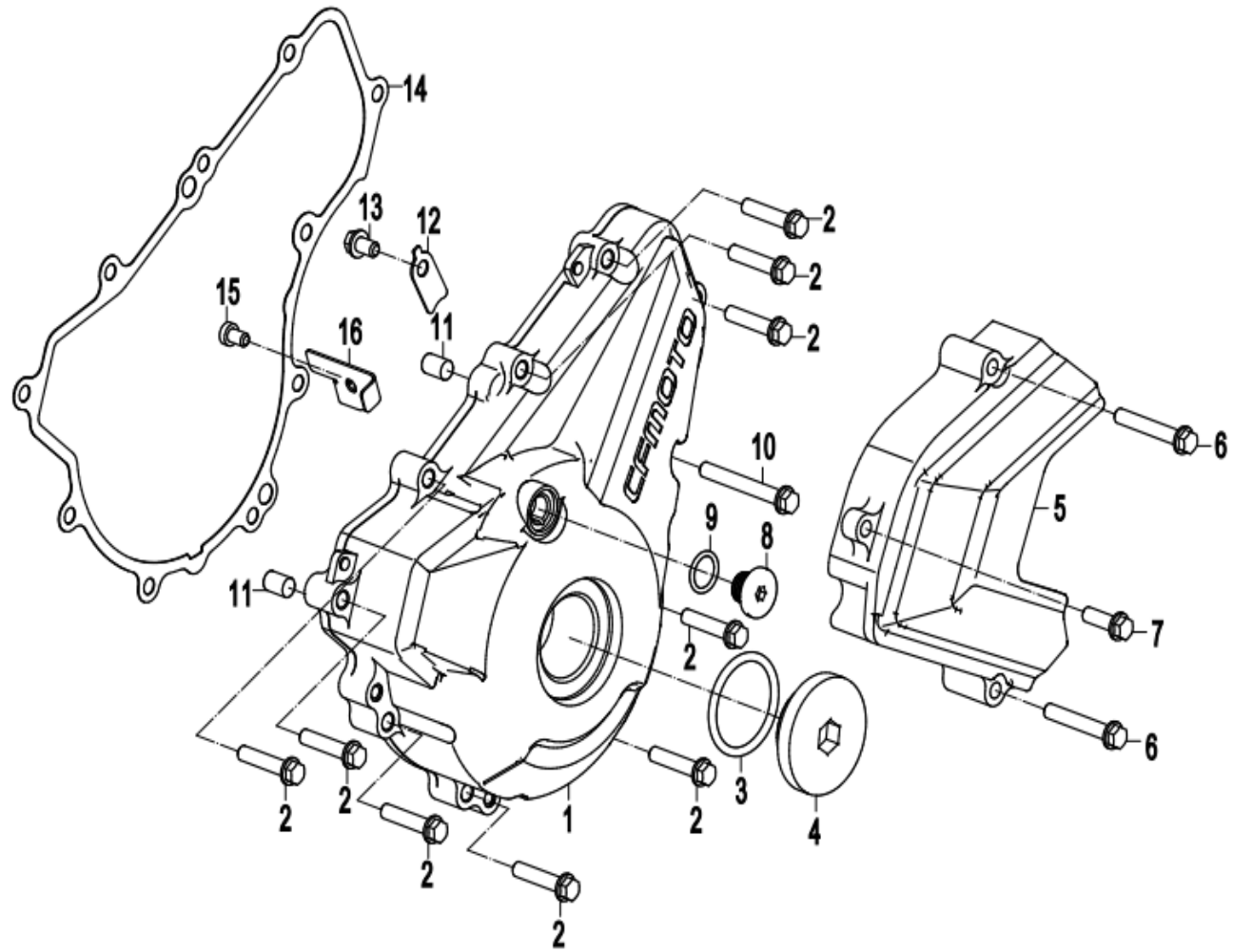
# RIGHT SIDE COVER ASSY



## E01-4 LEFT SIDE COVER

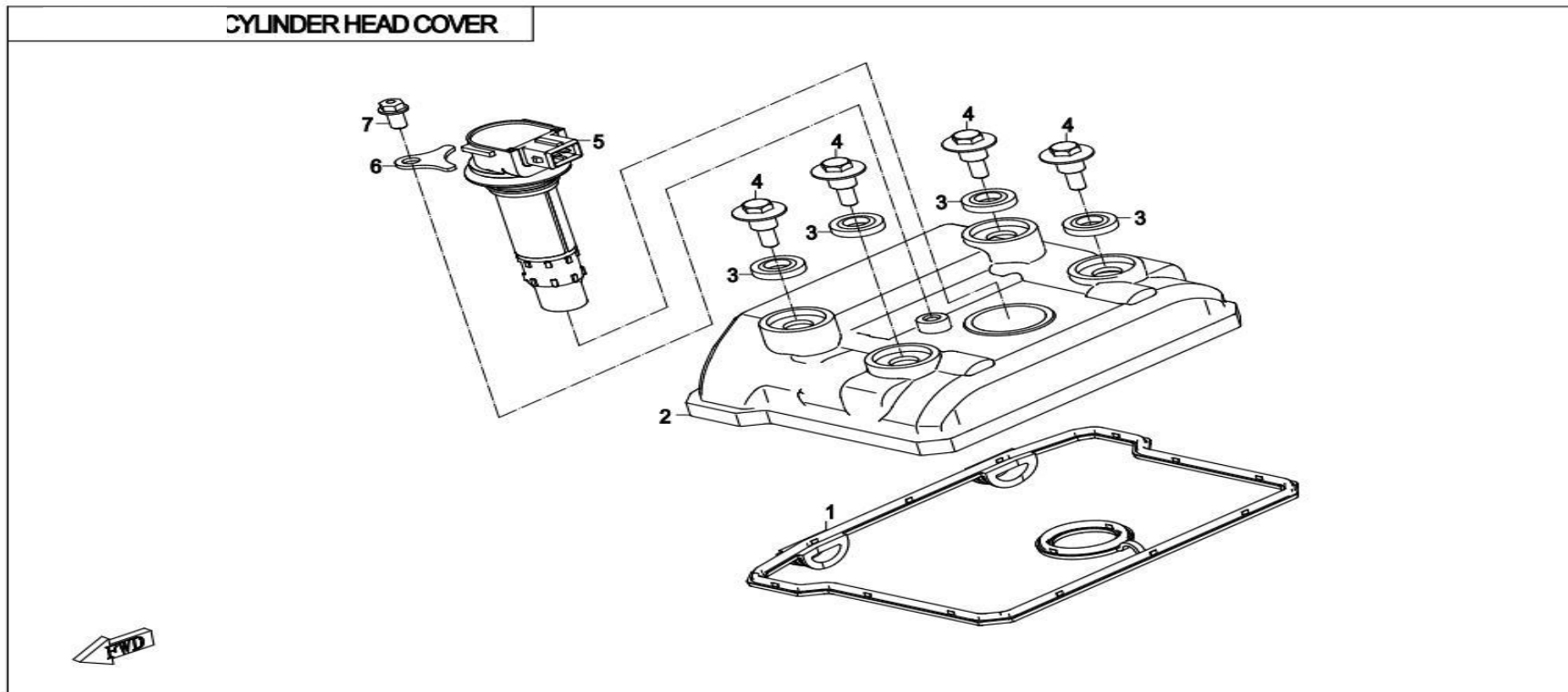
Item No.	Parts Number	Parts Name(EN)	Qty	Specification
01	0DMB-014002-0HB00	LH SIDE COVER	1	VELOCITY GREY
02	0010-060012-0010	BOLT M6x30	9	M6x30
03	01A0-012003	O-SEAL RING 35x3.5	1	35x3.5
04	01A0-012002-0HB00	STRAINER COVER	1	
05	0DM0-014100	REAR COVER ASSY, LH	1	
06	0010-013009-0010	BOLT M6x40	2	M6x40
07	0010-023010-0010	BOLT M6x20	1	M6x20
08	0DM0-014003	VIEWING HOLE, TIMING INSPECTION	1	
09	01A0-013005	O-SEAL RING 13x2	1	13x2
10	0010-013010-0010	BOLT M6x50	1	M6x50
11	30410-00800	ROLLER	2	
12	0DM0-014004	FIXING PAD, HARNESS	1	
13	0010-080010-0010	BOLT M6x10	1	M6x10
14	0DM0-014001-00001	GASKET, LH SIDE COVER	1	
15	30102-050012810	SCREW M5x12	1	M5x12
16	0A80-014005	WIRE CLAMP	1	

# LEFT SIDE COVER



## E02-1 CYLINDER HEAD COVER

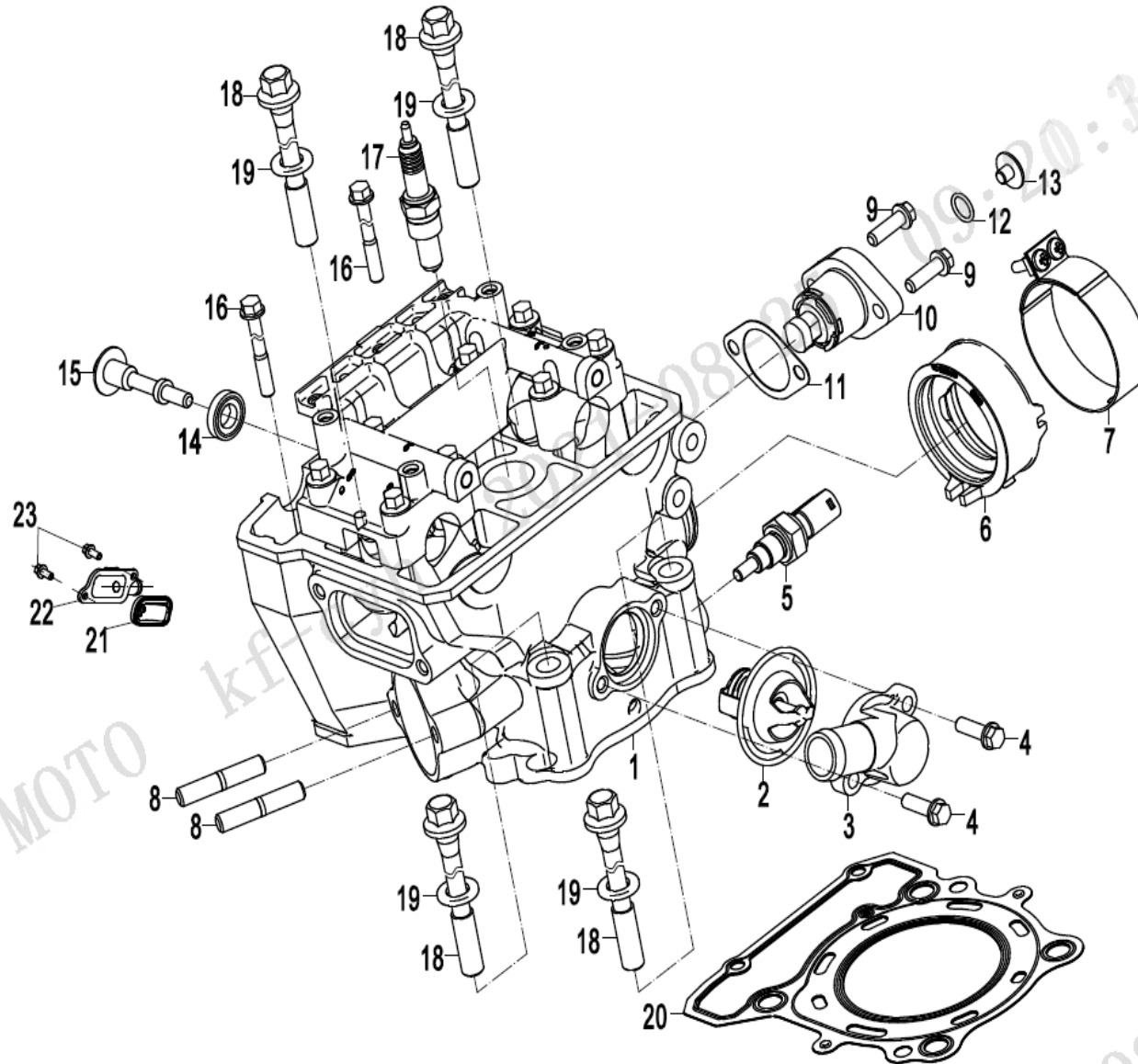
Item No.	Parts Number	Parts Name(EN)	Qty	Specification
01	ODM0-021100	SEAL RING ASSY, CYLINDER HEAD COVER	1	
02	ODM0-021001-0HB00	CYLINDER HEAD COVER	1	
03	0700-021200	SEAL RING, CYLINDER HEAD COVER BOLT	4	
04	0700-021003-00001	BOLT, CYLINDER HEAD COVER	4	
05	ODM0-178000	IGNITION COIL	1	
06	ODM0-021002	PRESS PLATE	1	
07	0010-021019-0010	BOLT M6x12	1	M6x12



## E02-2 CYLINDER COVER

Item No.	Parts Number	Parts Name(EN)	Qty	Specification
01	ODMC-022200-1BP00	CYLINDER HEAD	1	
02	ODM0-022400	THERMOSTAT ASSY	1	
04	0010-023010-0010	BOLT M6x20	2	M6x20
04	ODM0-022005-0BP00	THERMOSTAT CAP	1	
05	018B-022810	WATER TEMPERATURE SENSOR	1	
06	ODM0-022006	CONNECTING PIPE, THROTTLE BODY	1	
07	ODM0-022300	CLAMP, CONNECTING PIPE	1	
08	0180-022003-00001	STUD M8x42	4	
09	0010-080013-0010	BOLT M6x22	2	M6x22
10	ODM0-024500-10000	TENSIONER ASSY	1	
11	ODM0-024011	SEALING GASKET, TENSIONER	1	
12	0060-022001	O-SEAL RING 10x1.6	1	
13	0JYA-023001-00001	HEX FLANGE BOLT M6x6	1	
14	0700-021200	SEAL RING, CYLINDER HEAD COVER BOLT	1	
15	ODM0-022008-00001	DAMPING BOLT, CYLINDER HEAD	1	
16	0010-011016-00001	BOLT	2	
17	0700-170200	SPARK PLUG	1	
18	0700-012013-00001	BOLT M5x12	4	M5x12
19	0700-022016	WASHER 10.5x19x2.3	4	10.5x19x2.3
20	ODM0-022100	GASKET KIT, CYLINDER HEAD	1	
21	1F30-026100-10000	SPRING VALVE ASSY	1	
22	1F30-026001-2BP00	SPRING VALVE CAP	1	
23	0010-090005-0010	BOLT M6x16	2	M6x16

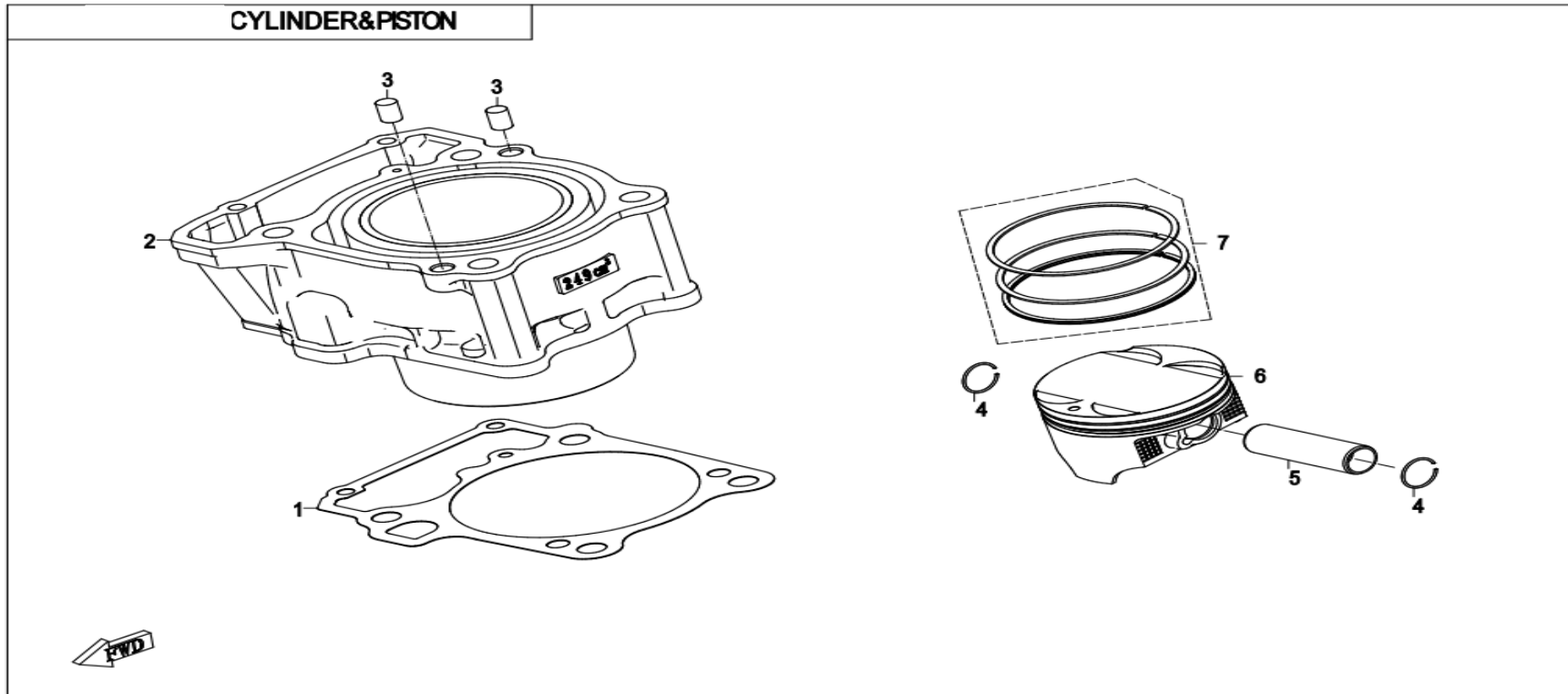
# CYLINDER HEAD ASSY





## E02-3 CYLINDER & PISTON

Item No.	Parts Number	Parts Name(EN)	Qty	Specification
01	ODM0-023001-10000	SEAL GASKET, CYLINDER	1	
02	ODM0-023100-00011	CYLINDER ASSY	1	
02	ODM0-023100-00021	CYLINDER ASSY	1	
03	30410-00800	ROLLER	2	
04	0110-040006-0050	CIRCLIP, PISTON PIN	2	
05	ODM0-040008	PISTON PIN	1	
06	ODM0-040007-00021	PISTON	1	
06	ODM0-040007-00011	PISTON	1	
07	ODM0-040100	PISTON RING ASSY	1	

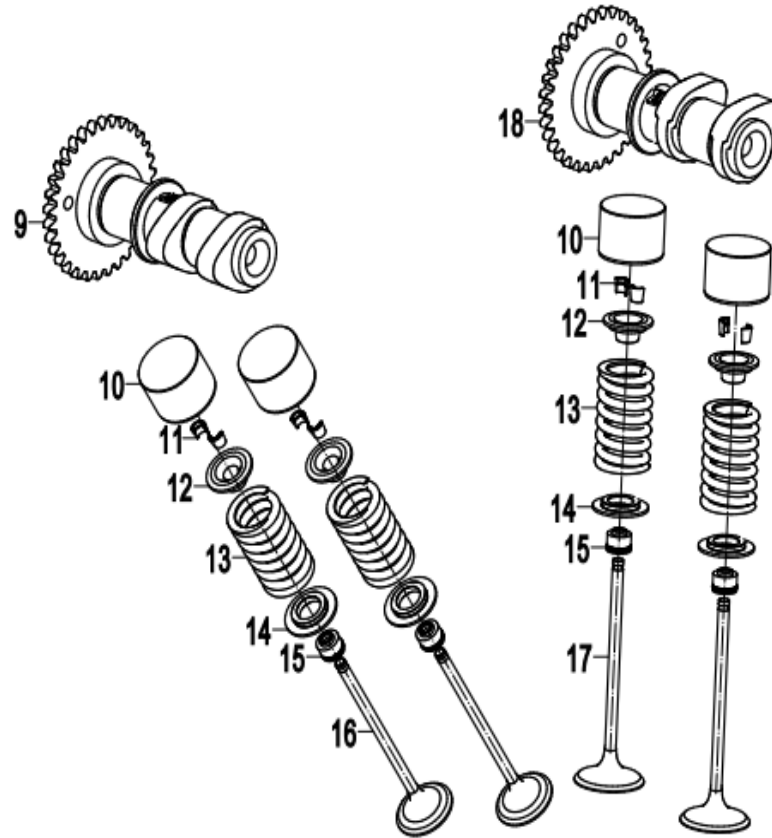
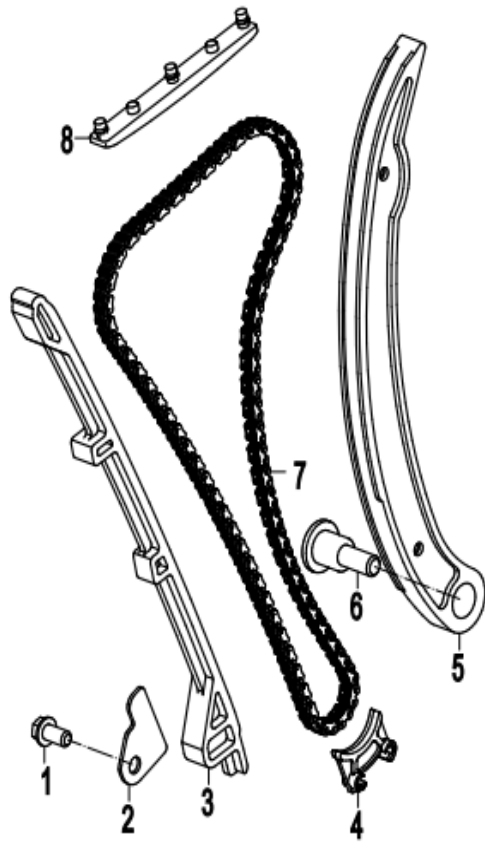


## E02-4 CAMSHAFT

Item No.	Parts Number	Parts Name(EN)	Qty	Specification
01	0010-021019-0010	BOLT M6x12	1	M6x12
02	0DM0-024002	STOPPER, CHAIN GUIDE	1	
03	0DM0-024008	CHAIN GUIDE	1	
04	0DM0-024009	CHAIN GUARD	1	
05	0DMB-024002	TENSIONER PLATE	1	
06	0DMB-024001	THREADED SHAFT PIN	1	
07	0DM0-024300	TIMING CHAIN	1	
08	0DM0-024005	CHAIN GUIDE BLOCK	1	
09	0DM0-024200-10000	CAMSHAFT, AIR EXHAUST	1	
10	0700-022005	TAPPET	4	
10	0700-022005-0090	TAPPET	4	t=3.38
10	0700-022005-0100	TAPPET	4	t=3.40
10	0700-022005-0110	TAPPET	4	t=3.42
10	0700-022005-0120	TAPPET	4	t=3.44
10	0700-022005-0130	TAPPET	4	t=3.46
10	0700-022005-0140	TAPPET	4	t=3.48
10	0700-022005-0150	TAPPET	4	t=3.50
10	0700-022005-0160	TAPPET	4	t=3.52
10	0700-022005-0170	TAPPET	4	t=3.54
10	0700-022005-0180	TAPPET	4	t=3.56
10	0700-022005-0190	TAPPET	4	t=3.58
10	0700-022005-0200	TAPPET	4	t=3.60
10	0700-022005-0210	TAPPET	4	t=3.62
10	0700-022005-0220	TAPPET	4	t=3.64
10	0700-022005-0230	TAPPET	4	t=3.66
10	0700-022005-0240	TAPPET	4	t=3.68
10	0700-022005-0250	TAPPET	4	t=3.70
10	0700-022005-0260	TAPPET	4	t=3.72
10	0700-022005-0270	TAPPET	4	t=3.74
10	0700-022005-0280	TAPPET	4	t=3.76
10	0700-022005-0290	TAPPET	4	t=3.78
10	0700-022005-0300	TAPPET	4	t=3.80
10	0700-022005-0310	TAPPET	4	t=3.82

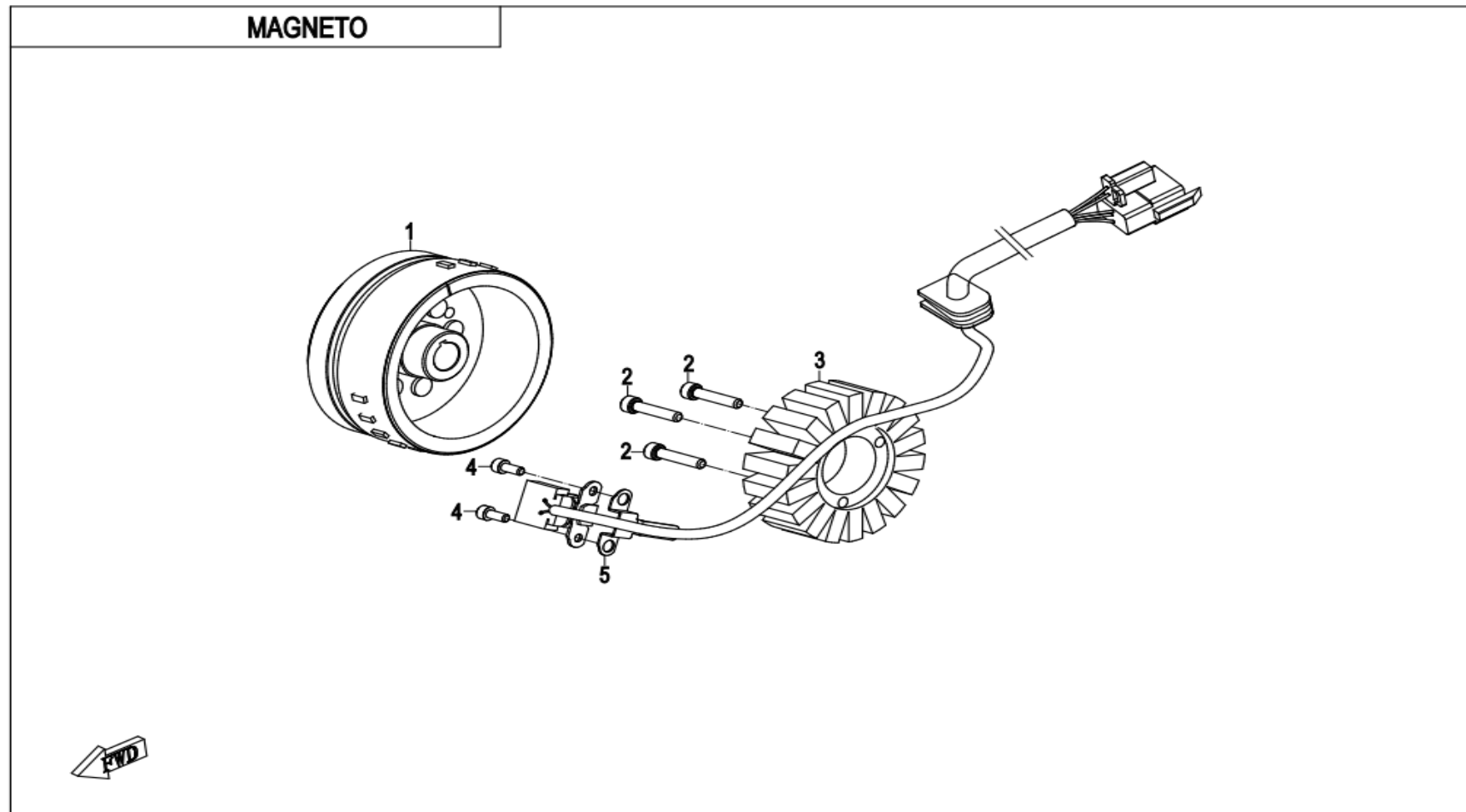
10	0700-022005-0320	TAPPET	4	t=3.84
10	0700-022005-0330	TAPPET	4	t=3.86
10	0700-022005-0340	TAPPET	4	t=3.88
10	0700-022005-0350	TAPPET	4	t=3.90
10	0700-022005-0360	TAPPET	4	t=3.92
10	0700-022005-0370	TAPPET	4	t=3.94
10	0700-022005-0380	TAPPET	4	t=3.96
10	0700-022005-0390	TAPPET	4	t=3.98
10	0700-022005-0400	TAPPET	4	t=4.00
10	0700-022005-0410	TAPPET	4	t=4.02
10	0700-022005-0420	TAPPET	4	t=4.04
10	0700-022005-0430	TAPPET	4	t=4.06
10	0700-022005-0440	TAPPET	4	t=4.08
10	0700-022005-0450	TAPPET	4	t=4.10
10	0700-022005-0460	TAPPET	4	t=4.12
10	0700-022005-0470	TAPPET	4	t=4.14
10	0700-022005-0480	TAPPET	4	t=4.16
10	0700-022005-0490	TAPPET	4	t=4.18
10	0700-022005-0500	TAPPET	4	t=4.20
10	0700-022005-0510	TAPPET	4	t=4.22
10	0700-022005-0520	TAPPET	4	t=4.28
10	0700-022005-0530	TAPPET	4	t=4.24
10	0700-022005-0540	TAPPET	4	t=4.26
11	0700-022004	LOCK CLIP, VALVE	8	
12	0700-022003	UPPER SEAT, VALVE SPRING	4	
13	0700-022007-10000	SPRING, VALVE	4	HANG ZHOU SPRING
14	0700-022006	LOWER SEAT, VALVE SPRING	4	
15	0700-022400-1000	SEAL RING, VALVE STEM	4	
16	ODM0-022002-00001	AIR EXHAUST VALVE	2	
17	ODM0-022001-00001	AIR INTAKE VALVE	2	
18	ODM0-024100-10000	CAMSHAFT, AIR INTAKE	1	

# CAMSHAFT



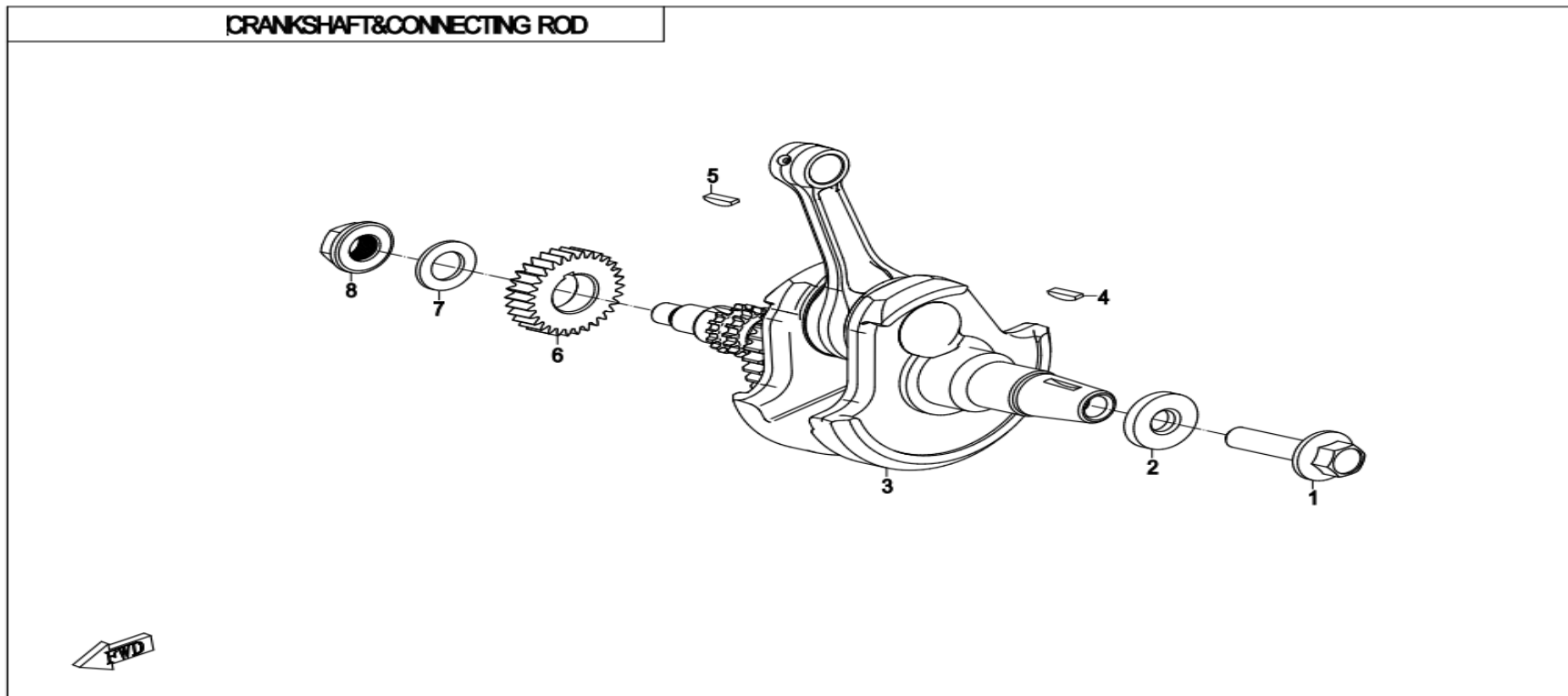
## E03 MAGNETO

Item No.	Parts Number	Parts Name(EN)	Qty	Specification
01	ODM0-031000-10000	MAGNETO ROTOR ASSY.	1	
02	0060-030003-00001	INNER HEX BOLT	3	
03	ODMV-032000-0001	MAGNETO STATOR ASSY	1	
04	30102-050012810	SCREW M5x12	2	M5x12
05	ODM0-030001	CABLE FIX BRACKET, TRIGGER	1	



## E04 CRANKSHAFT&CONNECTING ROD

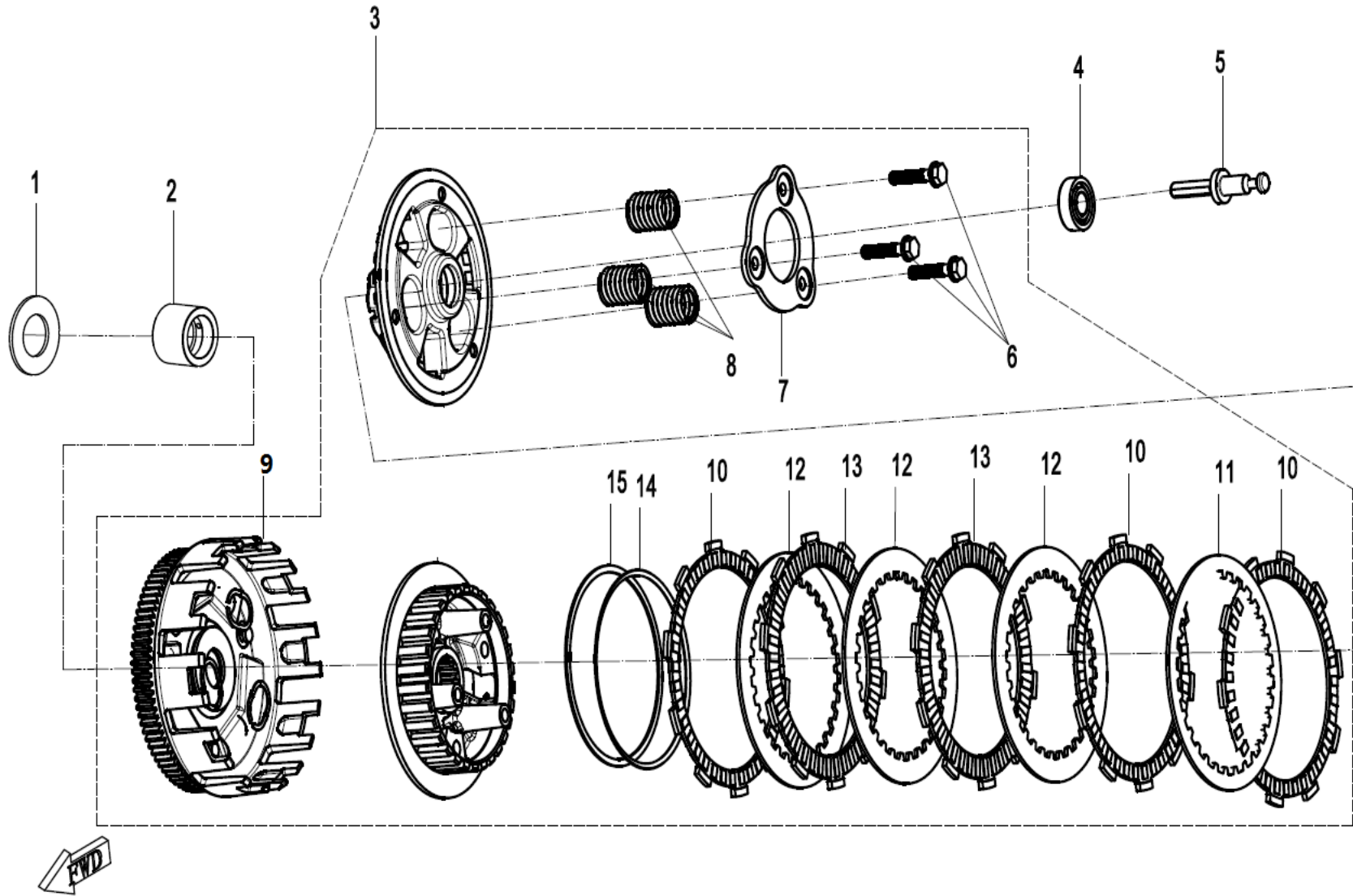
Item No.	Parts Number	Parts Name(EN)	Qty	Specification
01	0700-040001-20000	BOLT M12x1.25x45	1	
02	0700-040002-00001	WASHER 12.5x33x5	1	12.5x33x5
03	ODM0-041000-00014	CRANKSHAFT ASSEMBLY	1	A GROUP
03	ODM0-041000-00024	CRANKSHAFT ASSEMBLY	1	B GROUP
04	0010-040006	WOODRUFF KEY	1	
05	ODM0-040009	WOODRUFF KEY	1	
06	ODM0-040002	OUTPUT GEAR	1	
07	ODM0-040003	CIRCLIP16	1	
08	0110-040001-00002	NUT	1	



## E05-A CLUTCH(SLIPPING CLUTCH )

Item No.	Parts Number	Parts Name(EN)	Qty	Specification
01	ODM0-050004	WASHER 20x37x2	1	
02	ODM0-050003	COLLAR	1	
03	ODMB-051000	CLUTCH SUB ASSY.	1	
04	30400-01207	ROLLER BEARING	1	
05	ODMB-050001	TIE-ROD	1	
06	ODMB-051208	BOLT M6x30	3	
07	ODMB-051209	PRESS SPRING PLATE	1	
08	ODMB-051202	PRESS SPRING	3	
09	ODMB-051100	PRIMARY DRIVEN GEAR ASSY	1	
10	ODMB-051220	FRICTION DISC 2	3	
11	ODMB-051205	DRIVEN DISC 1	1	
12	ODMB-051207	DRIVEN DISC 2	3	
13	ODMB-051210	FRICTION DISC 1	2	
14	ODMB-051204	BELLEVILLE SPRING	1	
15	ODMB-051203	BELLEVILLE SEAT	1	

# CLUTCH ASSY

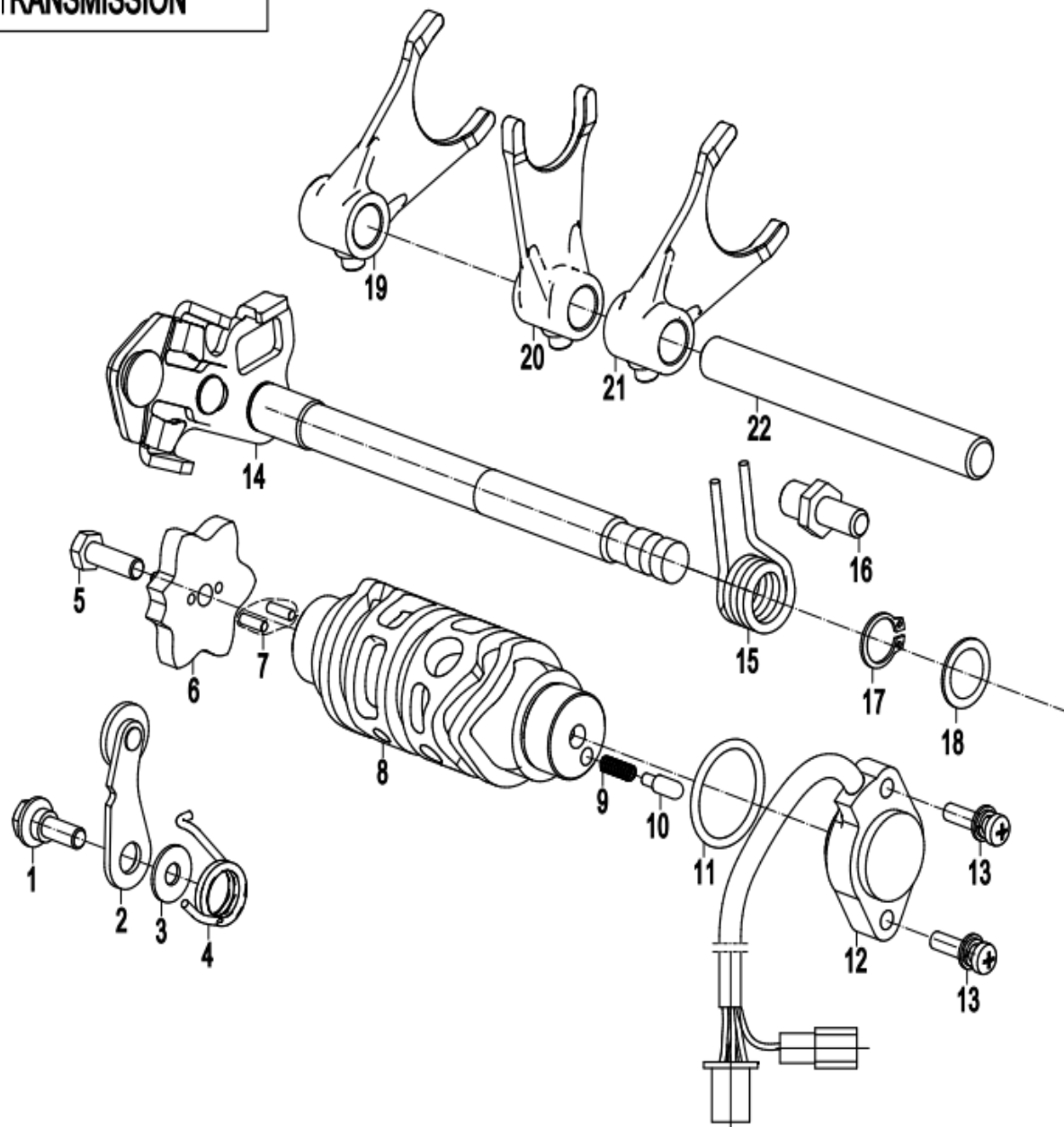




## E06-1 TRANSMISSION

Item No.	Parts Number	Parts Name(EN)	Qty	Specification
01	0A70-065001-00001	BOLT, GEARSHIFT CAM	1	
01	0A70-065001	BOLT, CAM	1	M6
02	ODM0-065100-00001	SWING ARM, GEARSHIFT	1	
03	0700-064001	WASHER 6.3x16.3x1.2	1	6.3x16.3x1.2
04	ODM0-065001	SPRING, SWING ARM, GEARSHIFT	1	
05	30004-060016110	BOLT M6x16	1	M6x16
06	ODM0-064002	CAM, GEARSHIFT DRUM	1	
07	30406-00303	NEEDLE BEARING	2	
08	ODM0-064001-00001	SHIFT DRUM	1	
09	0A70-064003	SPRING	2	
10	0A70-064004	CONTACTOR, GEAR SWITCH	2	
11	0A70-060014	O-RING 26.2x2.4	1	26.2x2.4
12	0A8V-066000-1001	GEAR POSITION SENSOR	1	
13	30116-050020410	SCREW ASSY M5x20	2	M5x20
14	ODM0-063100-00001	GEARSHIFT ROD ASSY	1	
15	ODM0-063001	RETURN SPRING, GEARSHIFT	1	
16	ODM0-063002-00001	SHIFT POSITION SPRING PIN	1	
17	30801-01405	CIRCLIPS FOR SHAFT14	1	14
18	ODM0-063003	WASHER 14x20x1	1	
19	ODM0-060006	SHIFT FORK, RH	1	
20	ODM0-060005	SHIFT FORK, MID	1	
21	ODM0-060004	SHIFT FORK, LH	1	
22	ODM0-060003	FORK SHAFT	1	

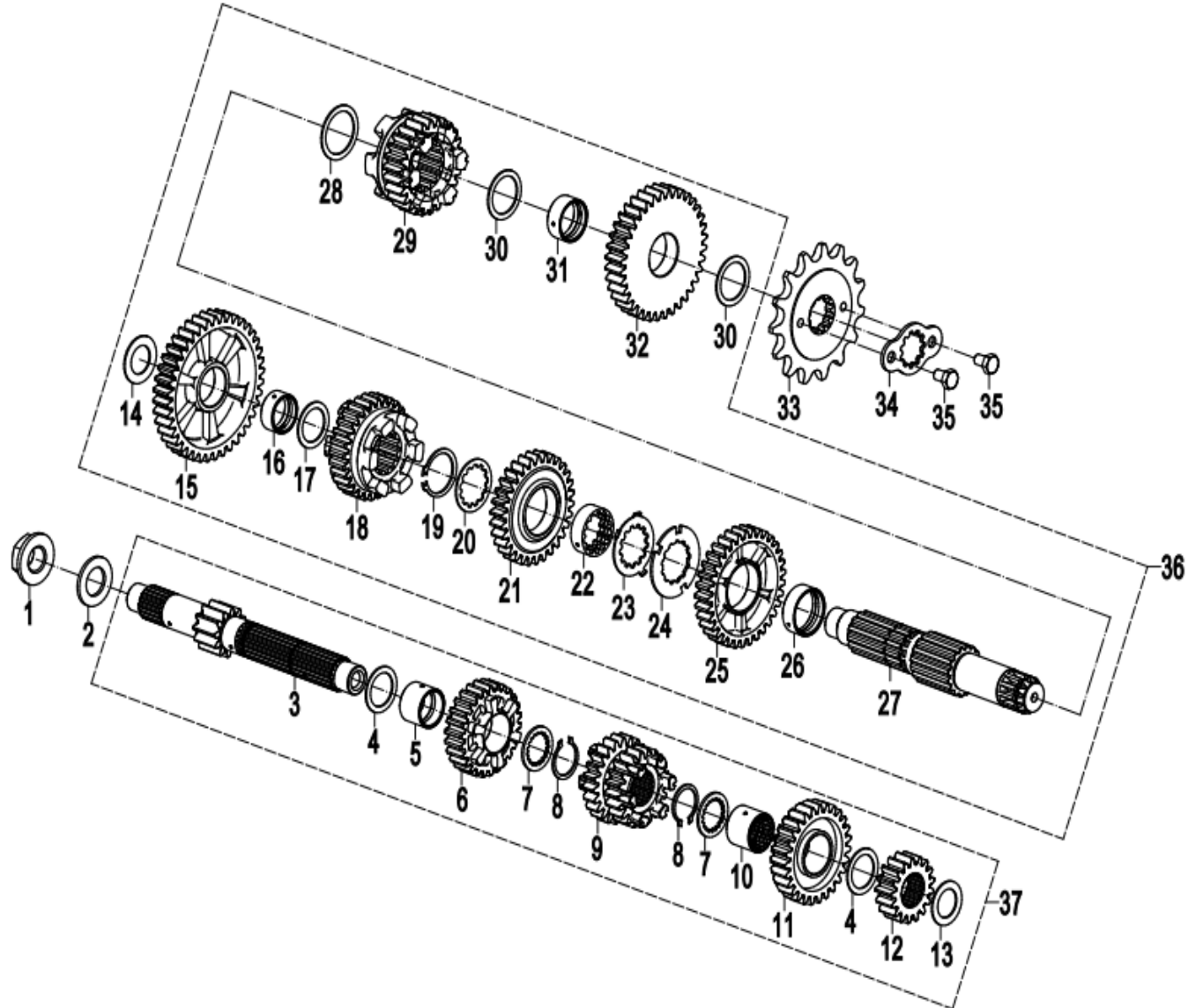
# TRANSMISSION



## E06-2 TRANSMISSION(2)

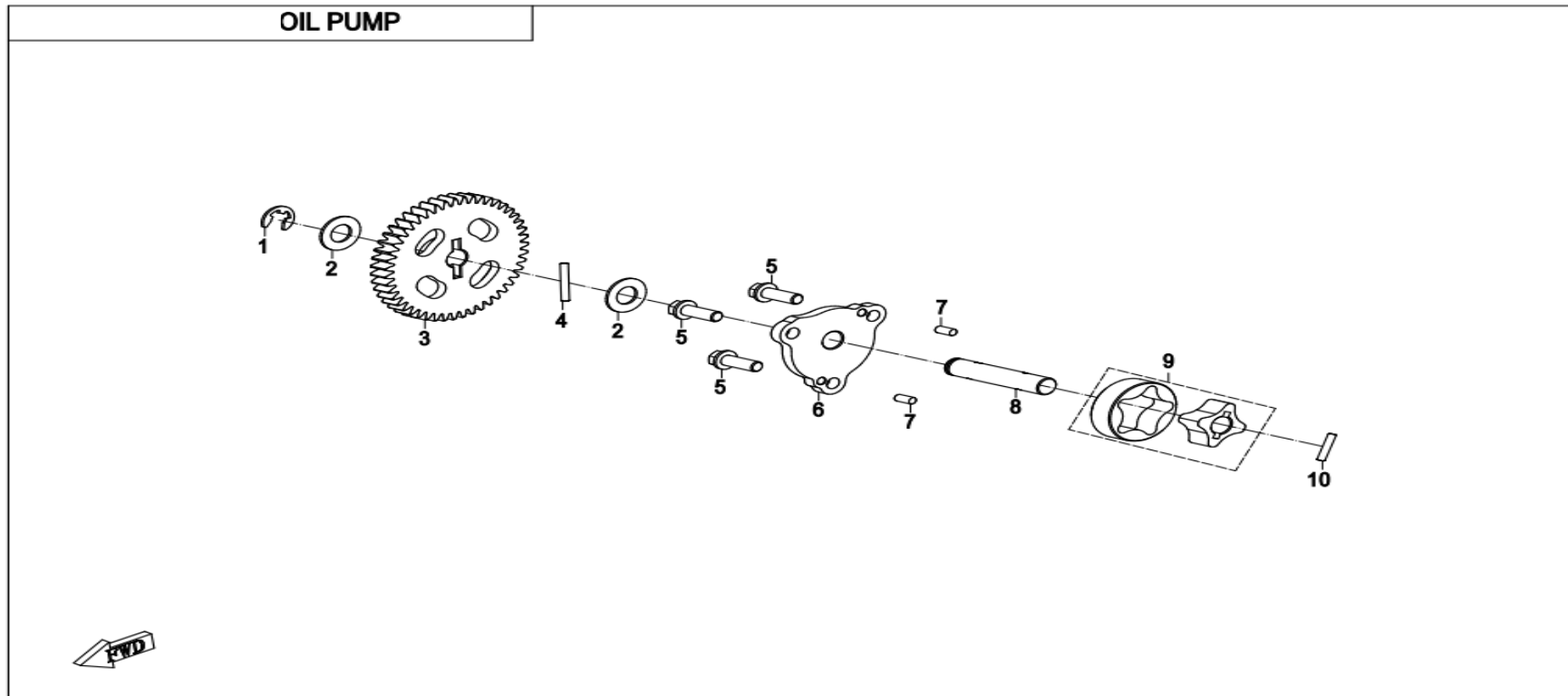
Item No.	Parts Number	Parts Name(EN)	Qty	Specification
01	0110-040001-00002	NUT	1	
02	ODM0-040003	CIRCLIP16	2	
03	ODM0-061001	DRIVE SHAFT	1	
04	ODM0-061006	WASHER 20x27x1	2	
05	ODM0-061007	BUSHING 20x23x17.2	1	
06	ODM0-061004	DRIVE GEAR	1	26
07	ODM0-061008	SPLINE WASHER 20x26x1.6	2	
08	ODM0-061012	CIRCLIPS FOR SHAFT 20	2	
09	ODM0-061003	DRIVE GEAR	1	
10	ODM0-061009	SPLINE SLEEVE 23	1	
11	ODM0-061005	DRIVE GEAR	1	27
12	ODM0-061002	DRIVE GEAR	1	17
13	ODM0-061011	WASHER 17x26x1	1	
14	ODM0-062021	LOCK WASHER 17x28x1	1	
15	ODM0-062002	DRIVEN GEAR	1	
16	ODM0-062019	BUSHING 20x23x10.5	1	
17	ODM0-062018	WASHER 20	1	
18	ODM0-062006	DRIVEN GEAR	1	
19	ODM0-062017	CIRCLIPS FOR SHAFT 25	1	
20	ODM0-062016	SPLINE WASHER 25x31x1	1	
21	ODM0-062005	DRIBEN GEAR	1	
22	ODM0-062015	SPLINE SLEEVE 25x10	1	
23	ODM0-062014	LOCK WASHER 25	1	
24	ODM0-062013	SPLINE WASHER 25x42x1.6	1	
25	ODM0-062004	DRIVEN GEAR	1	33
26	ODM0-062012	BUSHING 25x28x10	1	
27	ODM0-062001	SECONDARYSHAFT	1	
28	ODM0-062011	WASHER 25x32x1	1	
29	ODM0-062007	DRIVEN GEAR	1	
30	ODM0-062008	WASHER 22x29x1	2	
31	ODM0-062009	BUSHING 22x25x11	1	
32	ODM0-062003	DRIVEN GEAR	1	36
33	ODM0-060001-00001	DRIVE SPROCKET	1	
34	ODM0-060002	GUARD, SPROKET	1	
35	30004-060010850	BOLT M6x10	2	M6x10
36	ODM0-062000	COUNTERSHAFT ASSY	1	
37	ODM0-061000	MAIN SHAFT ASSY	1	

# TRANSMISSION



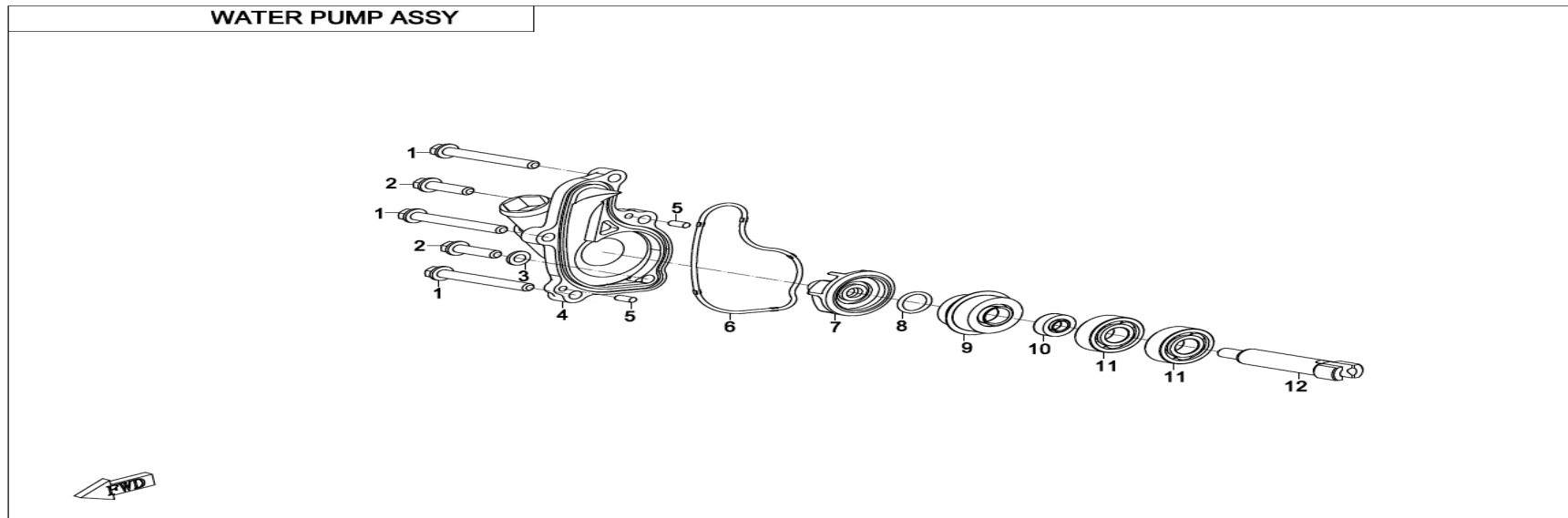
# E07 OIL PUMP

Item No.	Parts Number	Parts Name(EN)	Qty	Specification
01	30802-00805	SPLIT WASHER	1	8
02	0800-011005	WASHER 10	2	10
03	ODM0-070003	GEAR, OIL PUMP	1	
04	30406-00300	ROLLER NEEDLE	1	P3x21.8
05	0010-090005-0010	BOLT M6x16	3	M6x16
06	ODM0-070002	COVER, OIL PUMP	1	
07	30406-00401	ROLLER NEEDLE P4x7.8	2	P4x7.8
08	ODM0-070001	SHAFT,OIL PUMP	1	
09	ODM0-070100	ROTOR ASSY, OIL PUMP	1	
10	30406-00304	ROLLER NEEDLE	1	



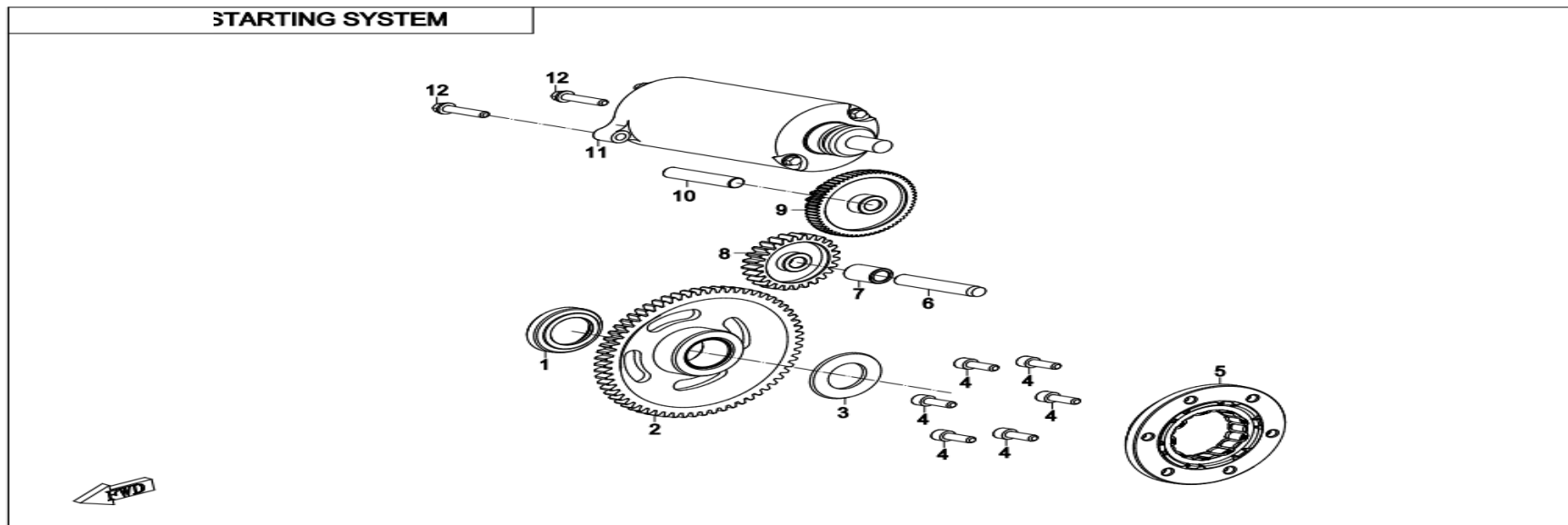
## E08 WATER PUMP

Item No.	Parts Number	Parts Name(EN)	Qty	Specification
01	0180-013208-0010	BOLT M6x45	3	M6x45
02	0010-023010-0010	BOLT M6x20	2	M6x20
03	0010-060009	WASHER 6	1	6
04	ODM0-080100-0H700	WATER PUMP COVER ASSY	1	SILVER GREY
05	30406-00401	ROLLER NEEDLE P4x7.8	2	P4x7.8
06	ODM0-080003	SEAL RING, WATER PUMP COVER	1	
07	ODM0-080002	IMPELLER, WATER PUMP	1	
08	01A0-013005	O-SEAL RING 13x2	1	13x2
09	OJWA-081000	WATER SEAL ASSY	1	
10	0010-080009	OIL SEAL 12x20x5	1	12x20x5
11	30400-01207	ROLLER BEARING	2	
12	ODM0-080001-00001	SHAFT, WATER PUMP	1	



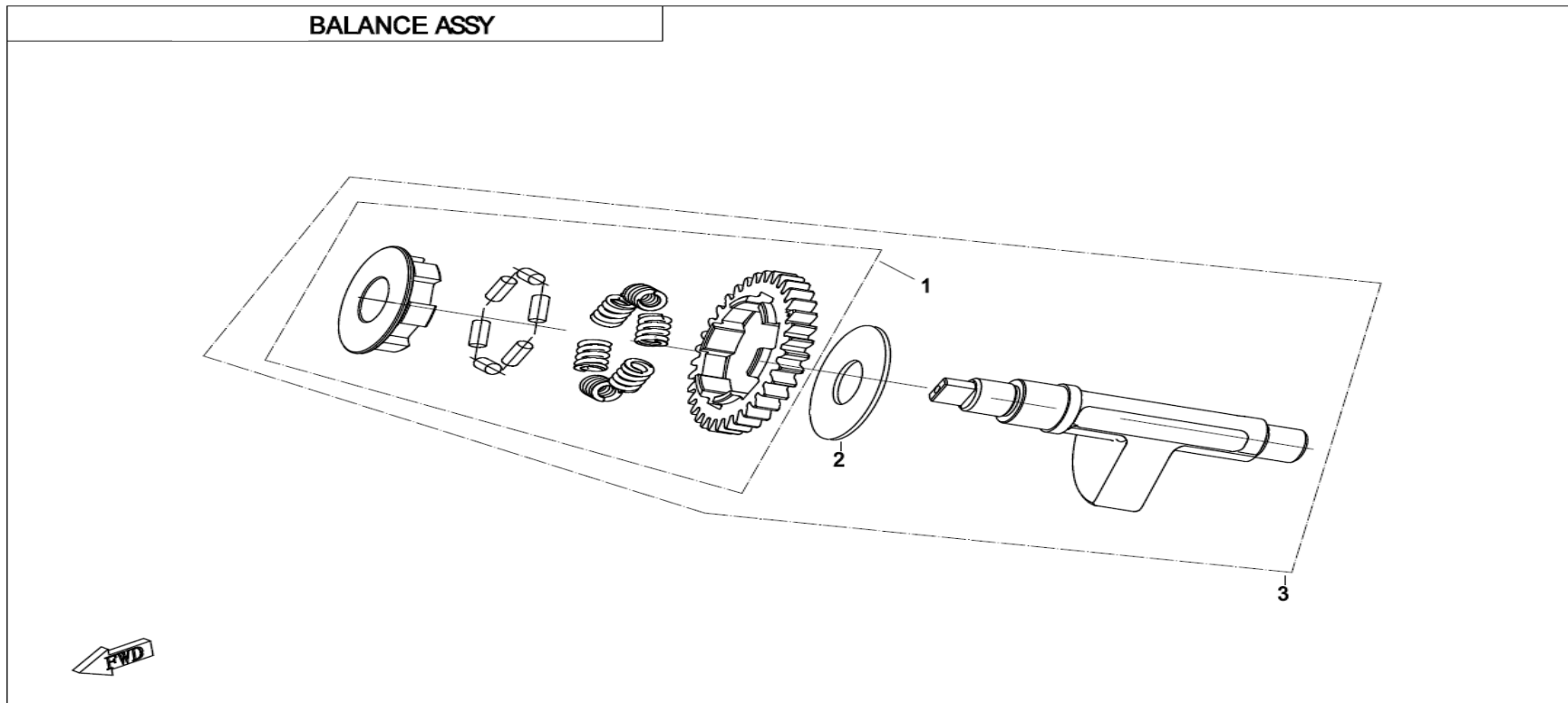
## E09 STARTING SYSTEM

Item No.	Parts Number	Parts Name(EN)	Qty	Specification
01	ODM0-090007	SPACER RING	1	
02	ODM0-092000-00001	GEAR ASSY, STARTING MOTOR	1	
03	ODM0-090001	WASHER 27x44x1	1	
04	30102-060016810	SCREW	6	
05	ODM0-091000	OVERRIDING CLUTCH	1	
06	0800-011202	SHAFT, BREATHER	1	
07	ODM0-090004	BUSHING, MIDDLE GEAR	1	
08	ODM0-090002-00001	STARTING GEAR	1	
09	ODM0-090006	DUAL GEAR	1	
10	ODM0-090005	AXLE, DUAL GEAR	1	
11	ODM0-093000	STARTING MOTOR	1	
12	0010-021017-0010	BOLT M6x25	2	M6x25



## E16 BALANCER SHAFT

Item No.	Parts Number	Parts Name(EN)	Qty	Specification
01	ODM0-162000-00010	DRIVEN GEAR ASSY, BALANCER SHAFT	1	A GROUP
01	ODM0-162000-00020	DRIVEN GEAR ASSY, BALANCER SHAFT	1	B GROUP
02	ODM0-160002	WASHER 20x5x1.5	1	
03	ODM0-160000-10010	BALANCER SHAFT ASSY	1	A GROUP
03	ODM0-160000-10020	BALANCER SHAFT ASSY	1	B GROUP





## E17 THROTTLE&INJECTOR

Item No.	Parts Number	Parts Name(EN)	Qty	Specification
01	ODM#-170030-1100	THROTTLE BODY ASSY	1	
02	ODN0-171000	FUEL INJECTOR	1	
03	ODM0-173002	CIRCLIP	1	
04	ODM0-173001	INJECTOR CAP	1	
05	0700-012013-00002	BOLT	1	
06	ODM0-022300	CLAMP, CONNECTING PIPE	1	
07	ODM0-022006	CONNECTING PIPE, THROTTLE BODY	1	

