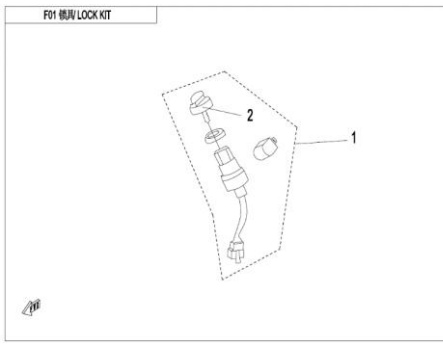
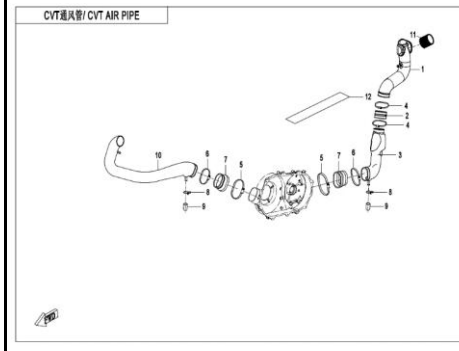
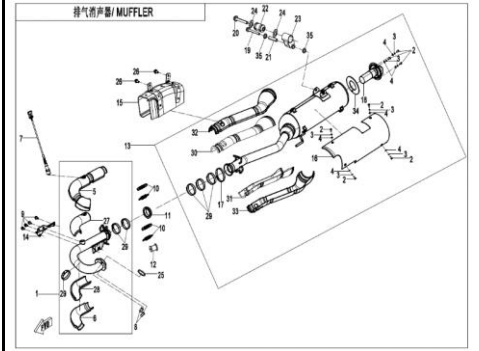
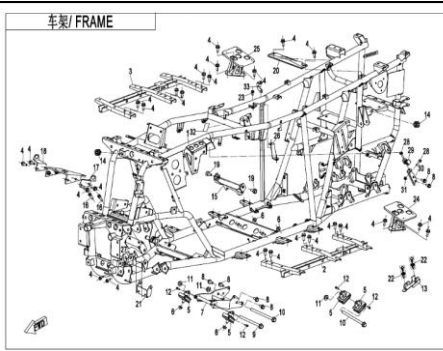
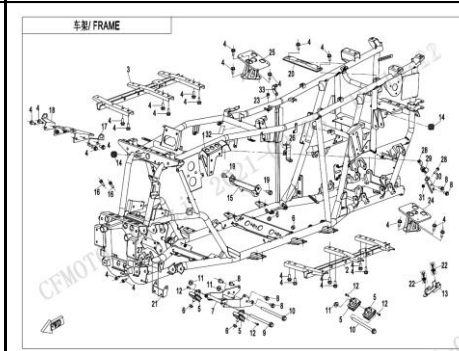
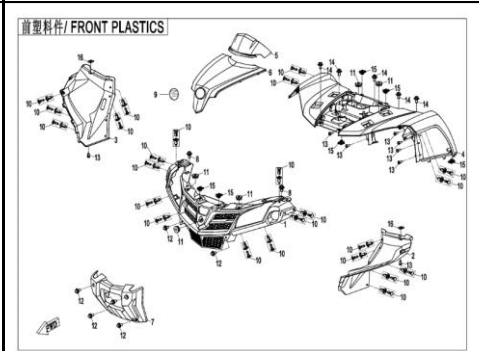
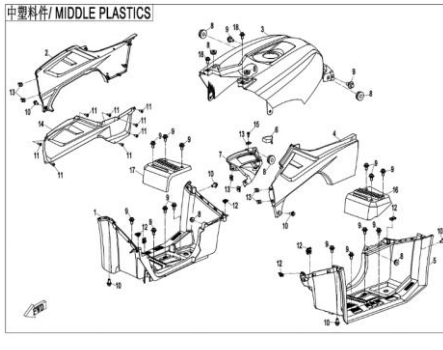
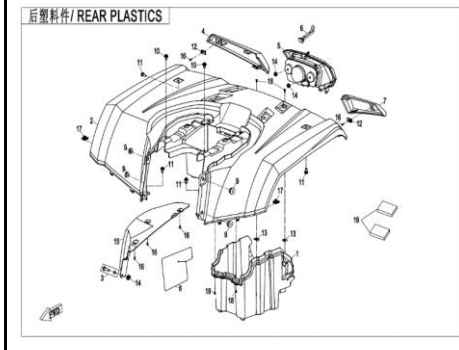
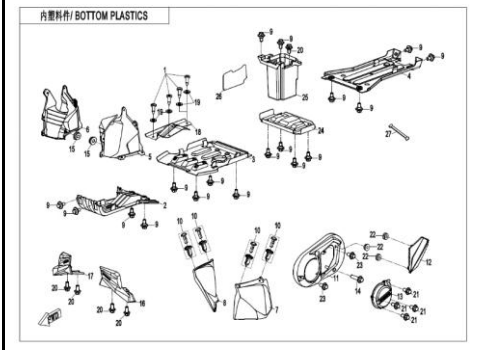
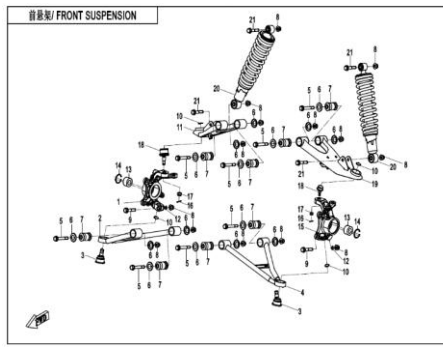
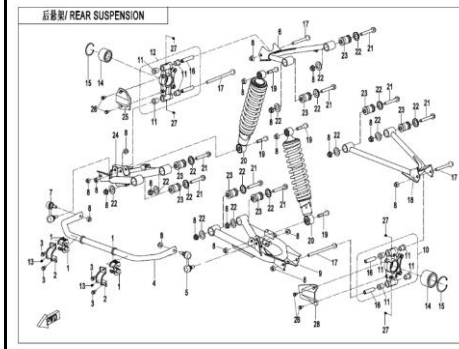
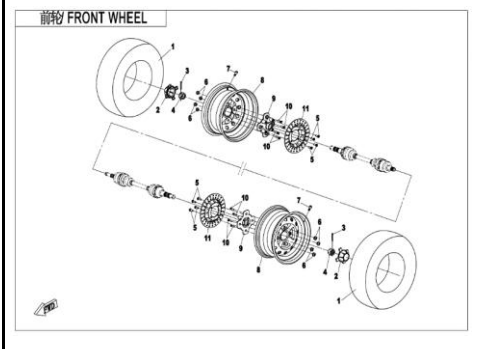


CONTENTS—FRAME GROUP

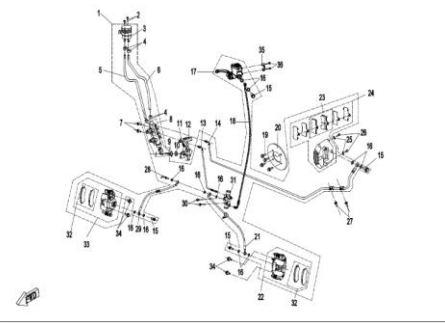
<p>F01</p> <p>LOCK KIT</p>  <p>F01 锁具/LOCK KIT</p>	<p>E01-1</p> <p>LEFT CRANKCASE ASSY</p>  <p>CVT通风管/ CVT AIR PIPE</p>	<p>F02-V3</p> <p>MUFFLER</p>  <p>排气消声器/ MUFFLER</p>
<p>F03-V4</p> <p>FRAME</p>  <p>车架/ FRAME</p>	<p>F03-V5</p> <p>FRAME</p>  <p>车架/ FRAME</p>	<p>F04-1</p> <p>FRONT PLASTICS</p>  <p>前塑料件/ FRONT PLASTICS</p>
<p>F04-2</p> <p>MIDDLE PLASTICS</p>  <p>中塑料件/ MIDDLE PLASTICS</p>	<p>F04-3</p> <p>REAR PLASTICS</p>  <p>后塑料件/ REAR PLASTICS</p>	<p>F04-4-V4</p> <p>BOTTOM PLASTICS</p>  <p>内塑料件/ BOTTOM PLASTICS</p>
<p>F05-B-V2</p> <p>FRONT SUSPENSION (NA)</p>  <p>前悬架/ FRONT SUSPENSION</p>	<p>F06-V5</p> <p>REAR SUSPENSION</p>  <p>后悬架/ REAR SUSPENSION</p>	<p>F07-V2</p> <p>FRONT WHEEL</p>  <p>前轮/ FRONT WHEEL</p>

CONTENTS—FRAME GROUP

F08-1-C-V3

BRAKE SYSTEM

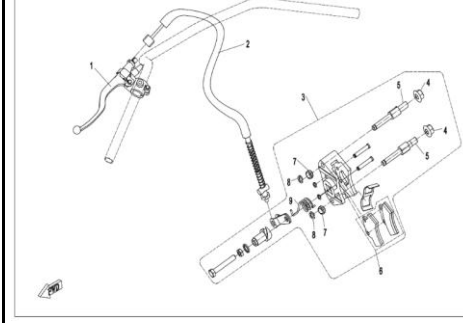
制动系统/ BRAKE SYSTEM



E01-1

LEFT CRANKCASE ASSY

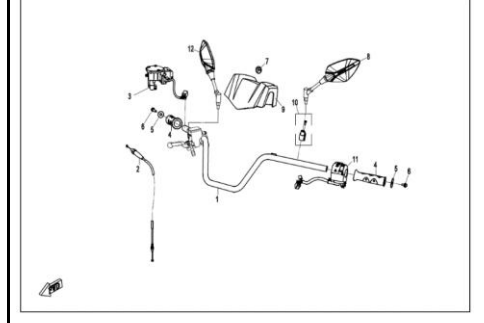
F08-2 驻车系统/ PARKING SYSTEM



F10-1-A-V2

HANDLEBAR (4WD)

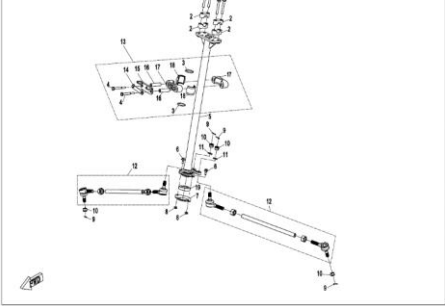
方向把/ HANDLEBAR



F10-2-A

STEERING SYSTEM

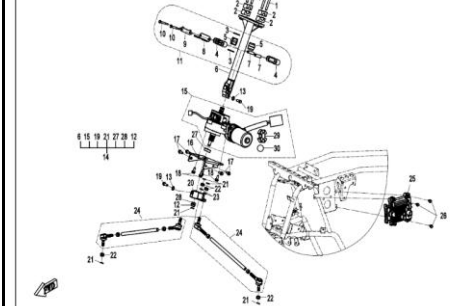
F10-2-A 转向系统/ STEERING SYSTEM



F10-2-B-V3

STEERING SYSTEM(EPS)

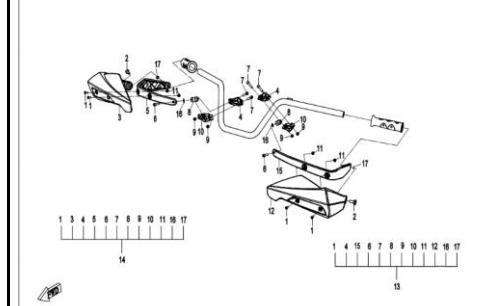
转向系统(EPS) STEERING SYSTEM(EPS)



F10-3-V3

HAND GUARD

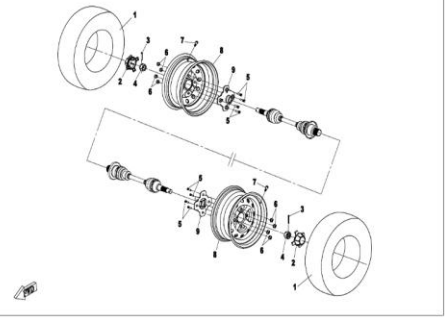
手把护罩/ HAND GUARD



F11-V2

REAR WHEEL

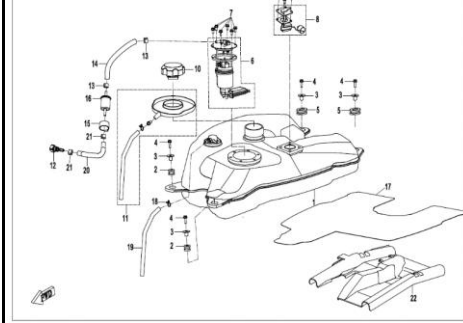
后轮/ REAR WHEEL



F12-V2

FUEL TANK

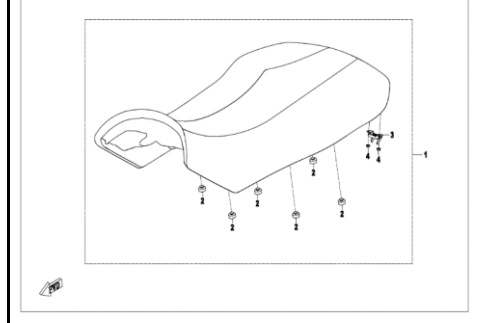
油箱/ FUEL TANK



F13

SEAT

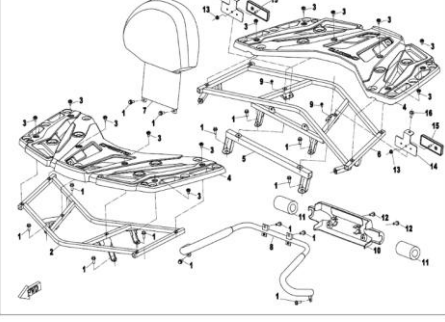
F13 座椅/ SEAT



F14-A

RACK (PLASTIC)

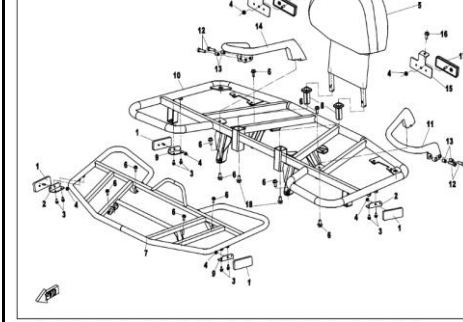
F14-A 塑料/ RACK



F14-B-V2

RACK (STEEL)

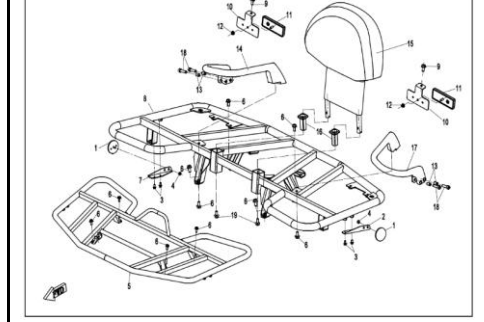
钢制/ RACK



F14-C

RACK (STEEL,CANADA)

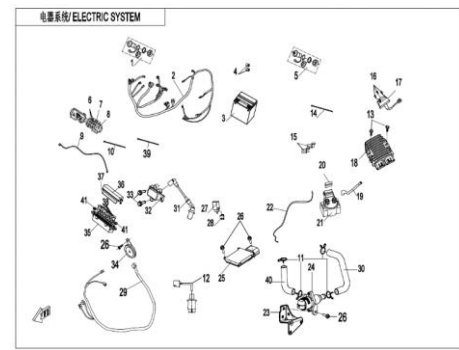
塑料/ RACK



CONTENTS—FRAME GROUP

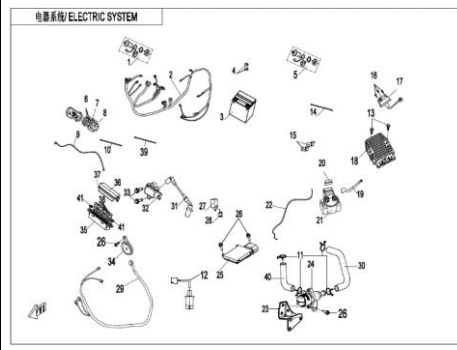
F15-1-A-V3

ELECTRIC SYSTEM



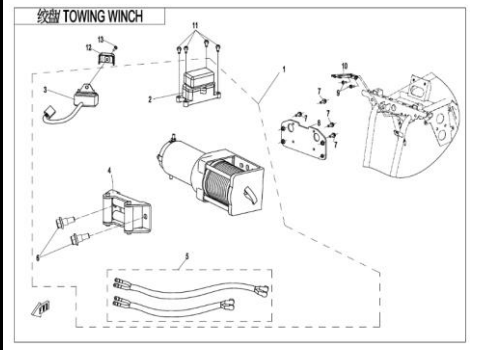
E01-1

LEFT CRANKCASE ASSY



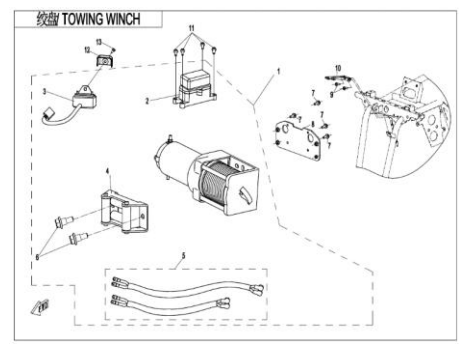
F15-2-A-V2

TOWING WINCH(LIANDA)



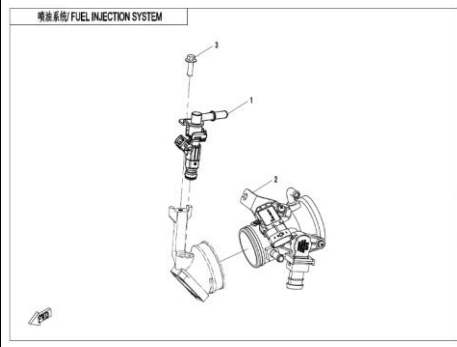
F15-2-B

TOWING WINCH(NOVA)



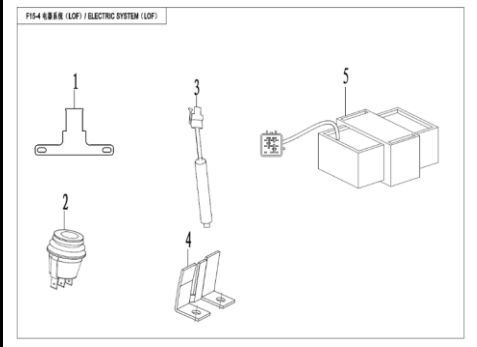
F15-3-V2

FUEL INJECTION SYSTEM



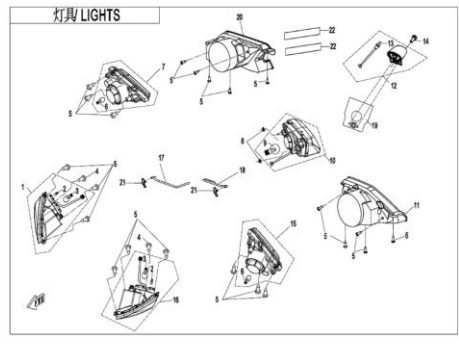
F15-4

ELECTRIC SYSTEM (LOF)



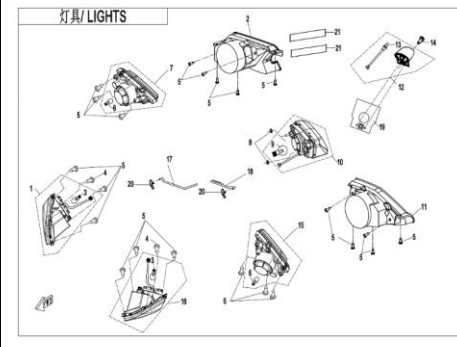
F16-A

LIGHTS



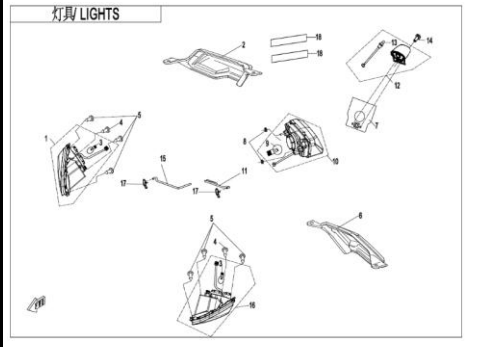
F16-B

LIGHTS (USA)



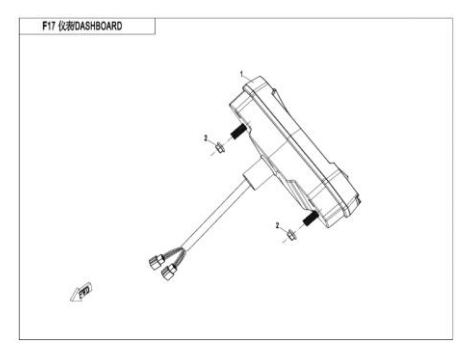
F16-C

LIGHTS (USA, WITHOUT TURN LIGHT)



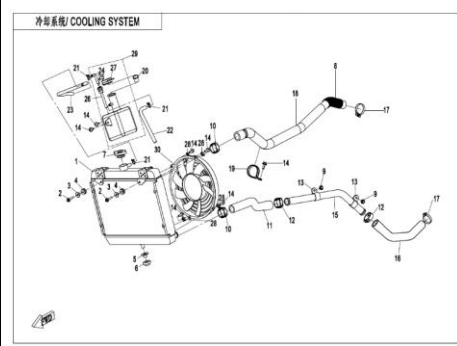
F17

DASHBOARD



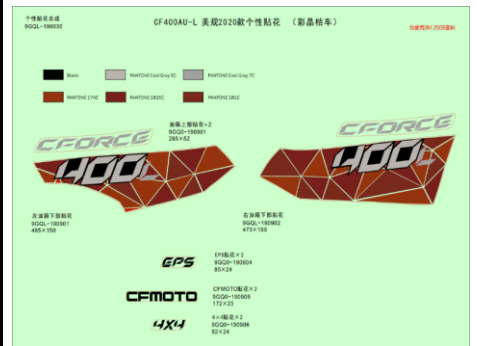
F18-V3

COOLING SYSTEM



F19-1-A

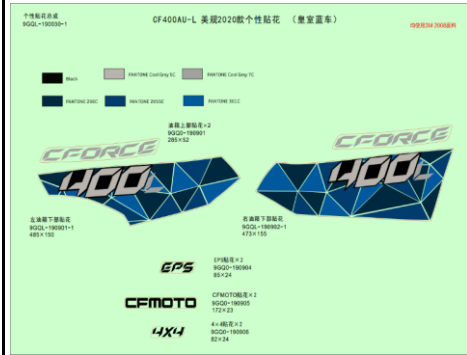
DECAL KITS (NA&2022, CRYSTAL ORANGE)



CONTENTS-FRAME GROUP

F19-1-B

DECALKITS(NA&2022,ROYAL BLUE)



E01-1

LEFT CRANKCASE ASSY



19-1-E

DECAL KITS(INT&2022 LAVA ORANGE)



F19-1-F

DECAL KITS(INT&2022 INJECTED PEARL BLUE)



F19-1-G

DECAL KITS(INT&2022 INJECTED PEARL BLACK)



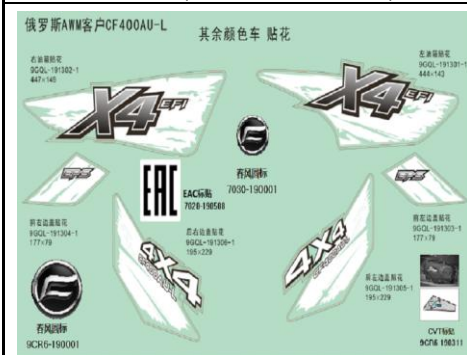
F19-1-H

DECAL KITS(INT&2022 TRUE TIMBER CAMO)



F19-1-I

DECAL KITS(RUSSIA, OTHER COLORS)



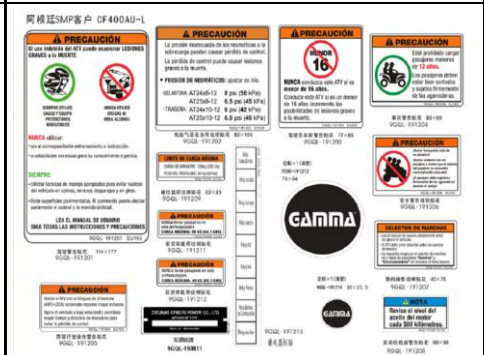
F19-1-J

DECAL KITS (RUSSIA, BLACK)



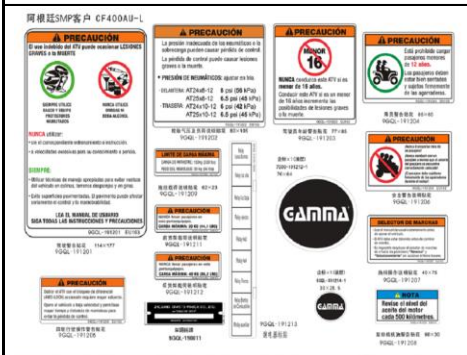
F19-2-A

WARNING DECAL (ARGENTINA)



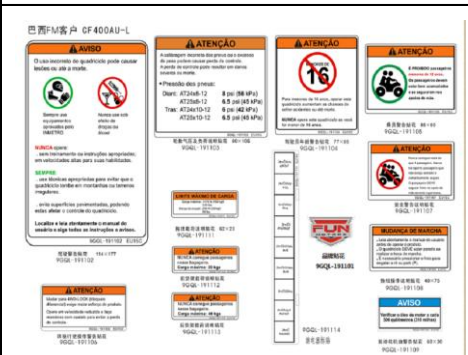
F19-2-B

WARNING DECAL (ARGENTINA)



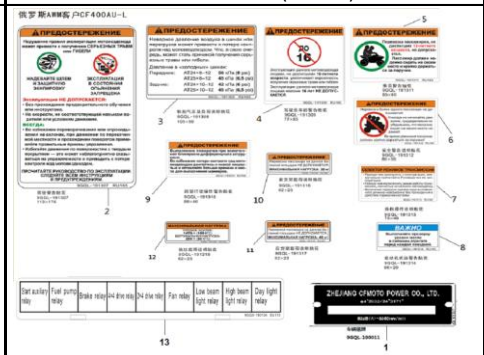
F19-2-C

WARNING DECAL (BRAZIL)



F19-2-D

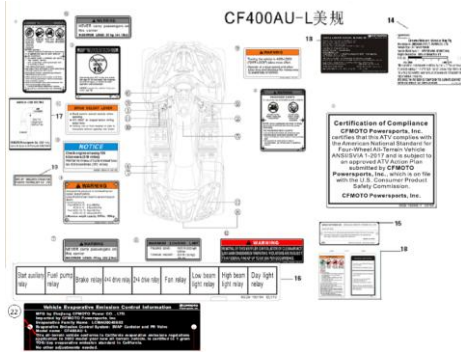
WARNING DECAL(RUSSIA)



CONTENTS—FRAME GROUP

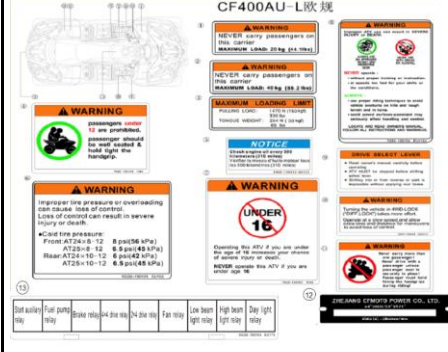
F19-2-E-V3

WARNING DECAL(NA)



E01-1

LEFT CRANKCASE ASSY



F19-2-G

EEPS DECAL



F19-2-H

WARNING DECAL(CMI, FRENCH)



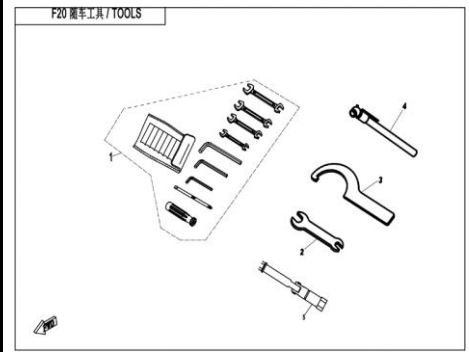
F19-2-I

WARNING DECAL(Brazil)



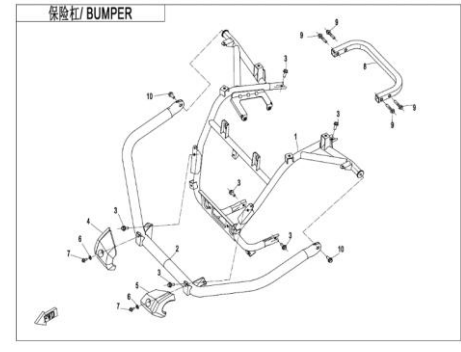
F20-V2

TOOLS



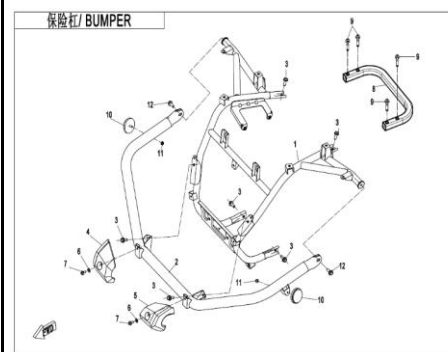
F23-A

BUMPER



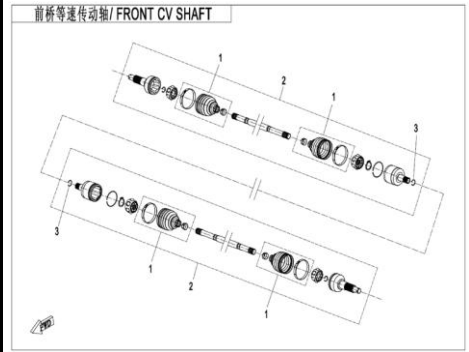
F23-B-V2

BUMPER(ONLY FOR CANADA)



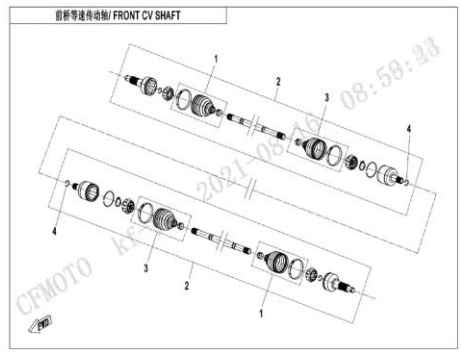
F27-A-V2

FRONT CV SHAFT(ODM)



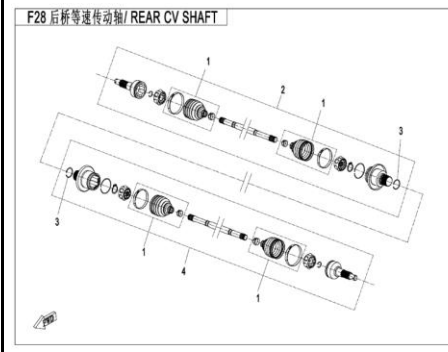
F27-B

FRONT CV SHAFT(SPS)



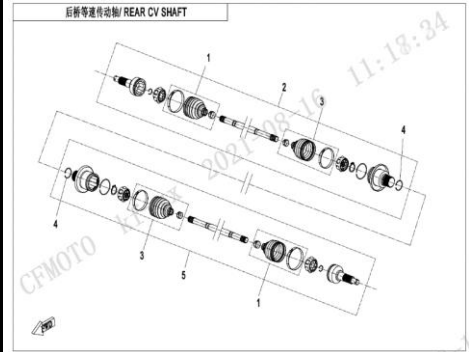
F28-A-V2

REAR CV SHAFT(ODM)



F28-B

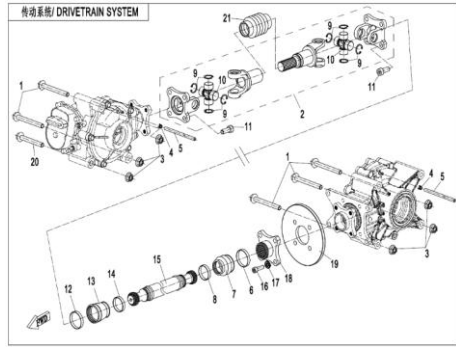
REAR CV SHAFT(SPS)



CONTENTS—FRAME GROUP

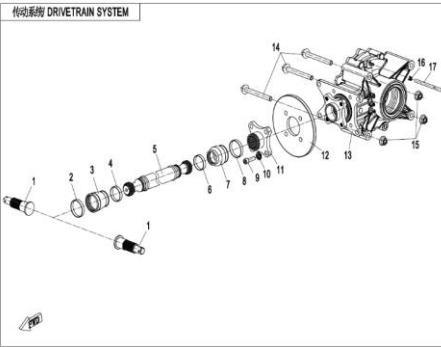
F30-A-V2

DRIVETRAIN SYSTEM



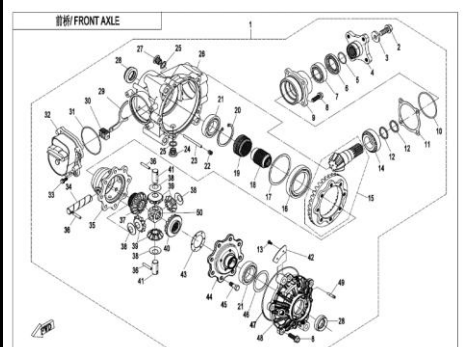
E01-1

LEFT CRANKCASE ASSY



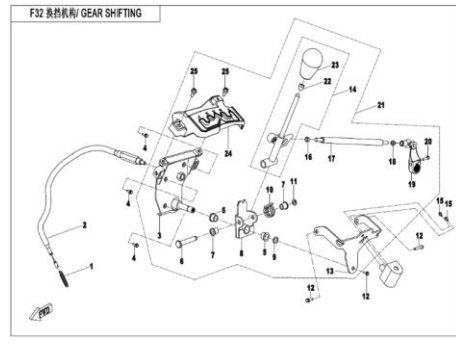
F31-V4

FRONT AXLE



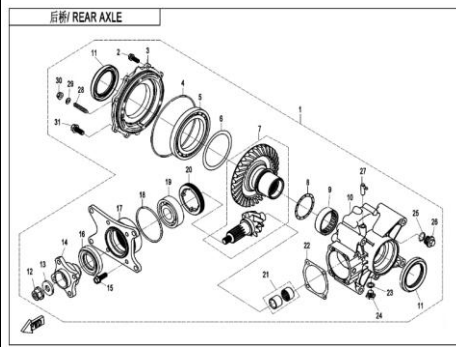
F32

GEAR SHIFTING



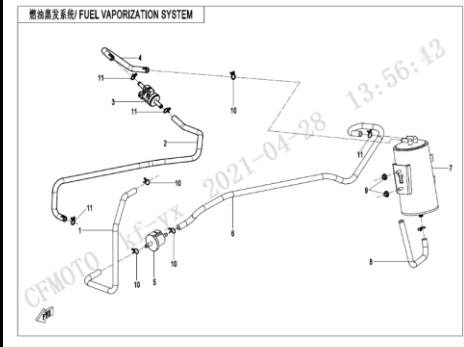
F33-V2

REAR AXLE



F36-V2

FUEL VAPORIZATION SYSTEM



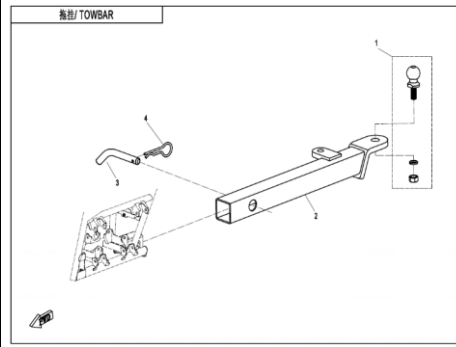
F38

OWNER'S MANUAL



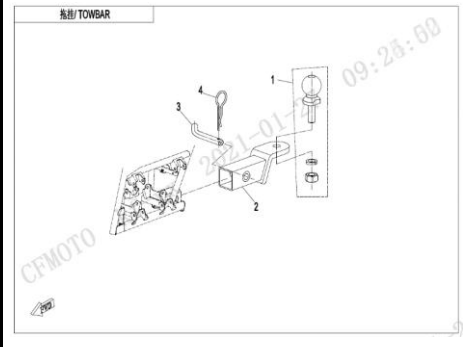
F40-A-V2

TOWBAR(LONG, PIN SHAFT CONNECTION)



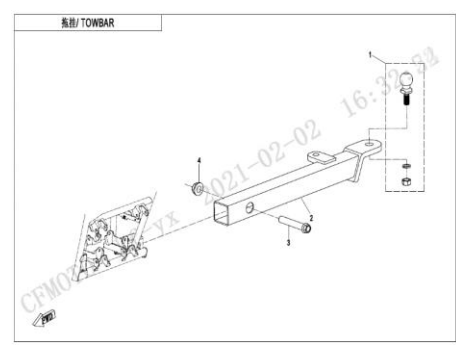
F40-B

TOWBAR(SHORT, PIN SHAFT CONNECTION)



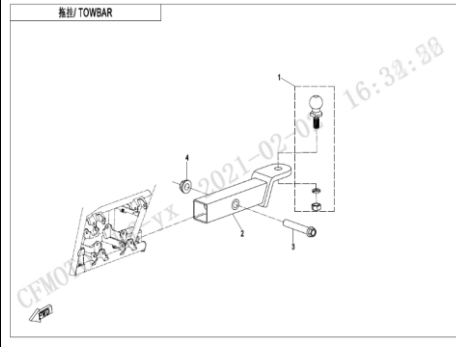
F40-C

TOWBAR(LONG, BLOT CONNECTION)



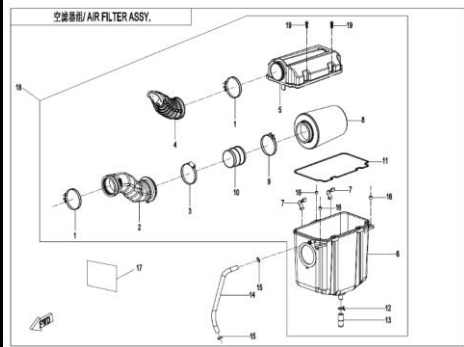
F40-D

TOWBAR(SHORT, BLOT CONNECTION)

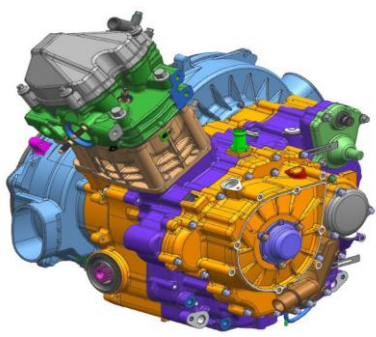
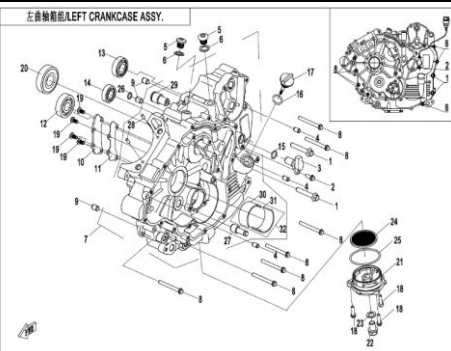
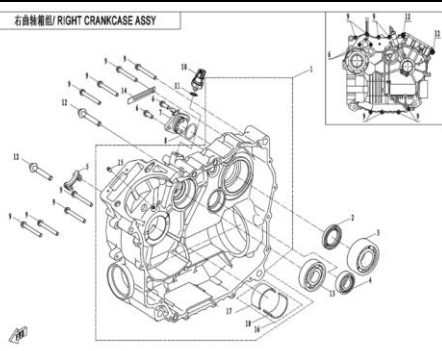
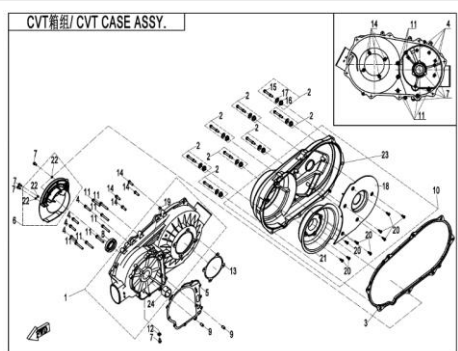
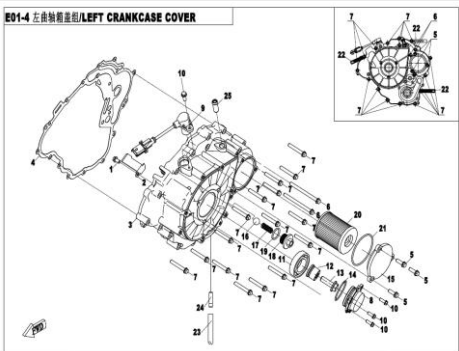
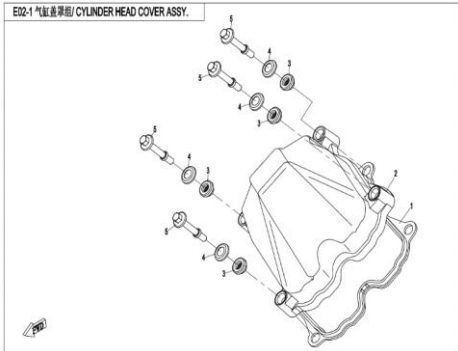
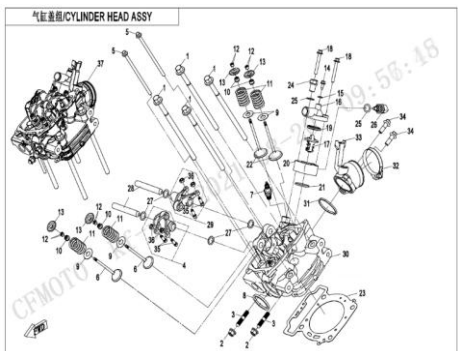
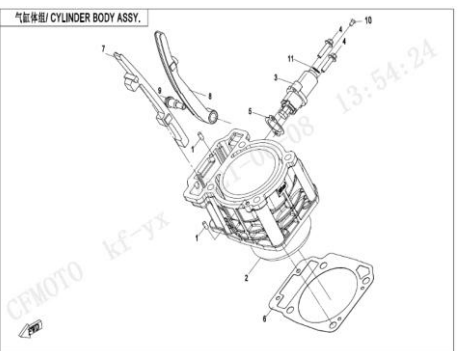
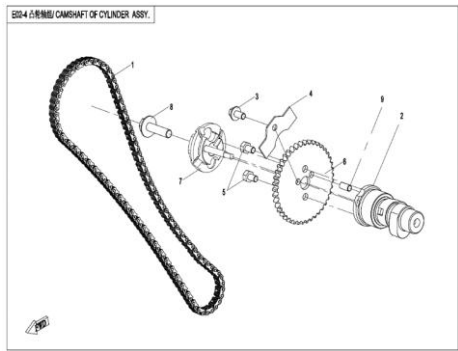
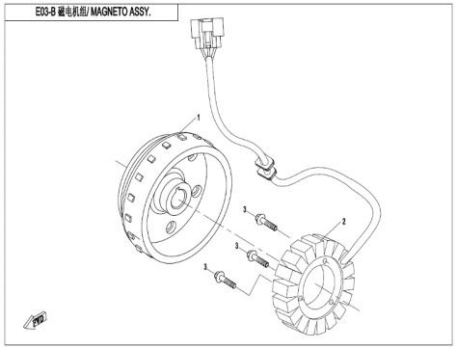
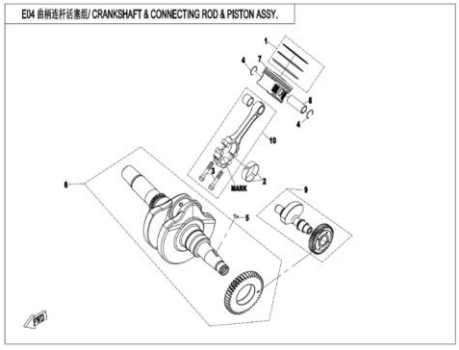
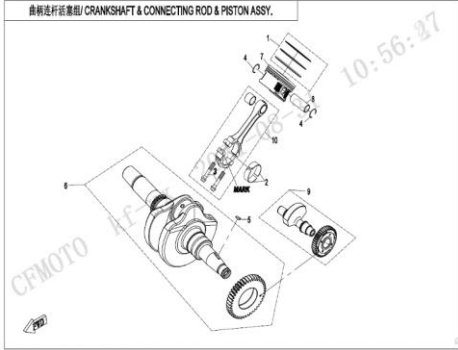


F41-V3

AIR FILTER ASSY.

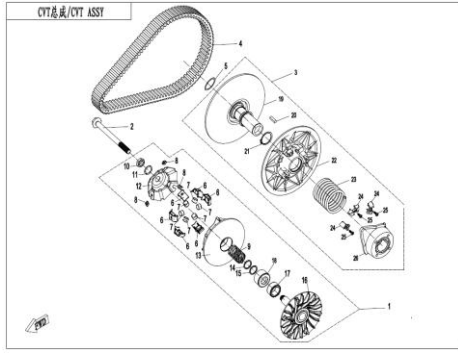


CONTENTS—ENGINE GROUP

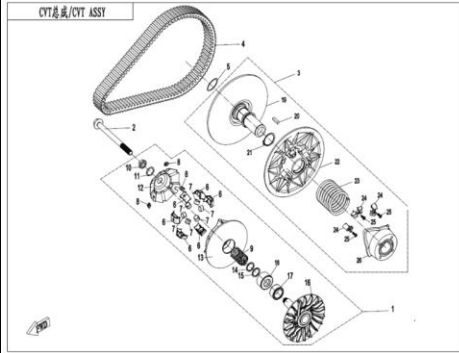
<p>E00</p> <p style="text-align: center;">191Q ENGINE</p> 	<p>E01-1</p> <p style="text-align: center;">LEFT CRANKCASE ASSY</p> <p style="text-align: center;">左曲轴箱盖/LEFT CRANKCASE ASSY.</p> 	<p>E01-2</p> <p style="text-align: center;">RIGHT CRANKCASE ASSY</p> <p style="text-align: center;">右曲轴箱盖/ RIGHT CRANKCASE ASSY</p> 
<p>E01-3</p> <p style="text-align: center;">CVT CASE ASSY.</p> <p style="text-align: center;">CVT箱盖/ CVT CASE ASSY.</p> 	<p>E01-4</p> <p style="text-align: center;">LEFT CRANKCASE COVER ASSY</p> <p style="text-align: center;">E01-4 左曲轴箱盖盖/LEFT CRANKCASE COVER</p> 	<p>E02-1</p> <p style="text-align: center;">CYLINDER HEAD COVER ASSY</p> <p style="text-align: center;">E02-1 气缸盖罩/ CYLINDER HEAD COVER ASSY.</p> 
<p>E02-2-A-V2</p> <p style="text-align: center;">CYLINDER HEAD ASSY</p> <p style="text-align: center;">气缸盖组/ CYLINDER HEAD ASSY</p> 	<p>E02-3-V2</p> <p style="text-align: center;">CYLINDER BODY ASSY.</p> <p style="text-align: center;">气缸体组/ CYLINDER BODY ASSY.</p> 	<p>E02-4</p> <p style="text-align: center;">CAMSHAFT OF CYLINDER ASSY</p> <p style="text-align: center;">E02-4 凸轮轴组/ CAMSHAFT OF CYLINDER ASSY.</p> 
<p>E03-B</p> <p style="text-align: center;">MAGNETO STATOR ASSY(HIGH POWER)</p> <p style="text-align: center;">E03-B 磁电机组/ MAGNETO ASSY.</p> 	<p>E04-V2</p> <p style="text-align: center;">CRANKSHAFT&CONNECTING ROD&PISTON ASSY</p> <p style="text-align: center;">E04 曲柄连杆活塞组/ CRANKSHAFT & CONNECTING ROD & PISTON ASSY.</p> 	<p>E04-V3</p> <p style="text-align: center;">CRANKSHAFT&CONNECTING ROD&PISTON ASSY</p> <p style="text-align: center;">曲柄连杆活塞组/ CRANKSHAFT & CONNECTING ROD & PISTON ASSY.</p> 

CONTENTS—ENGINE GROUP

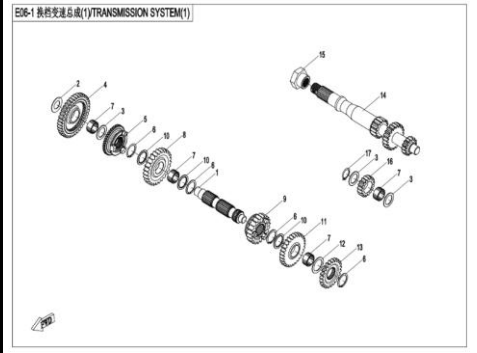
E05-A-V3
LUTCH & CVT ASSY.(18g WEIGHT ROLLER)



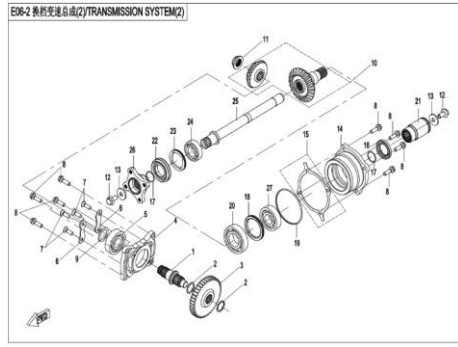
E05-B-V3
CLUTCH & CVT ASSY.(16g WEIGHT ROLLER)



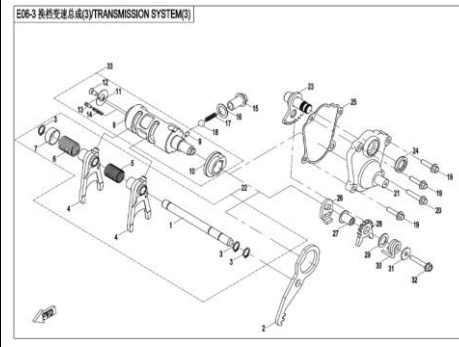
E06-1
TRANSMISSION SYSTEM (1)



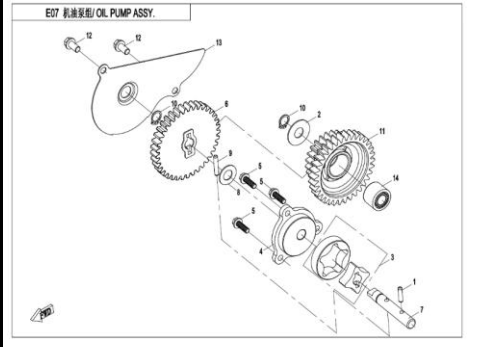
E06-2
RANSMISSION SYSTEM (2)



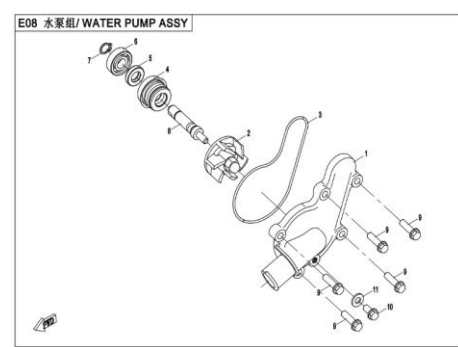
E06-3
TRANSMISSION SYSTEM (3)



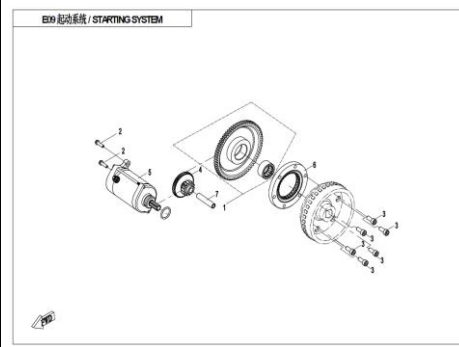
E07
OIL PUMP ASSY



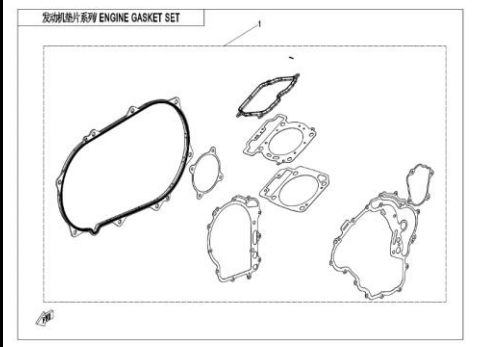
E08
WATER PUMP ASSY



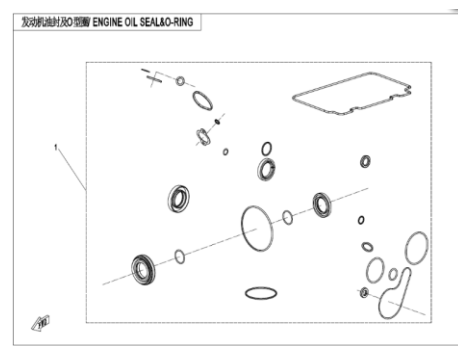
E09
STATER MOTOR



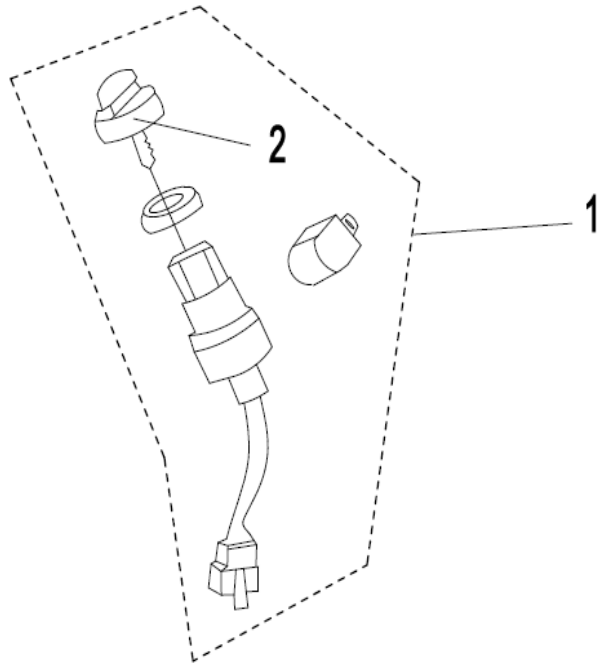
E29
ENGINE GASKET KIT



E30
ENGINE OIL SEAL & O-RING



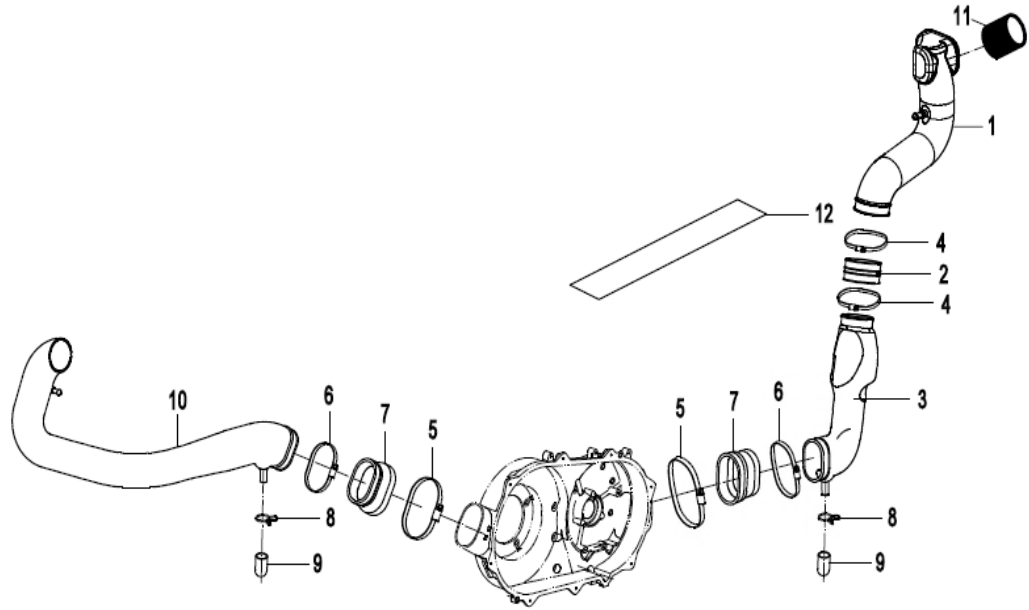
F01 锁具 LOCK KIT



F01 锁具 LOCK KIT

Item No.	Parts Number	Parts Name(EN)	Qty	Specification
01	9GQ0-010100	LOCK KIT	1	
02	9010-013010-0MP0	KEY	1	BLANK

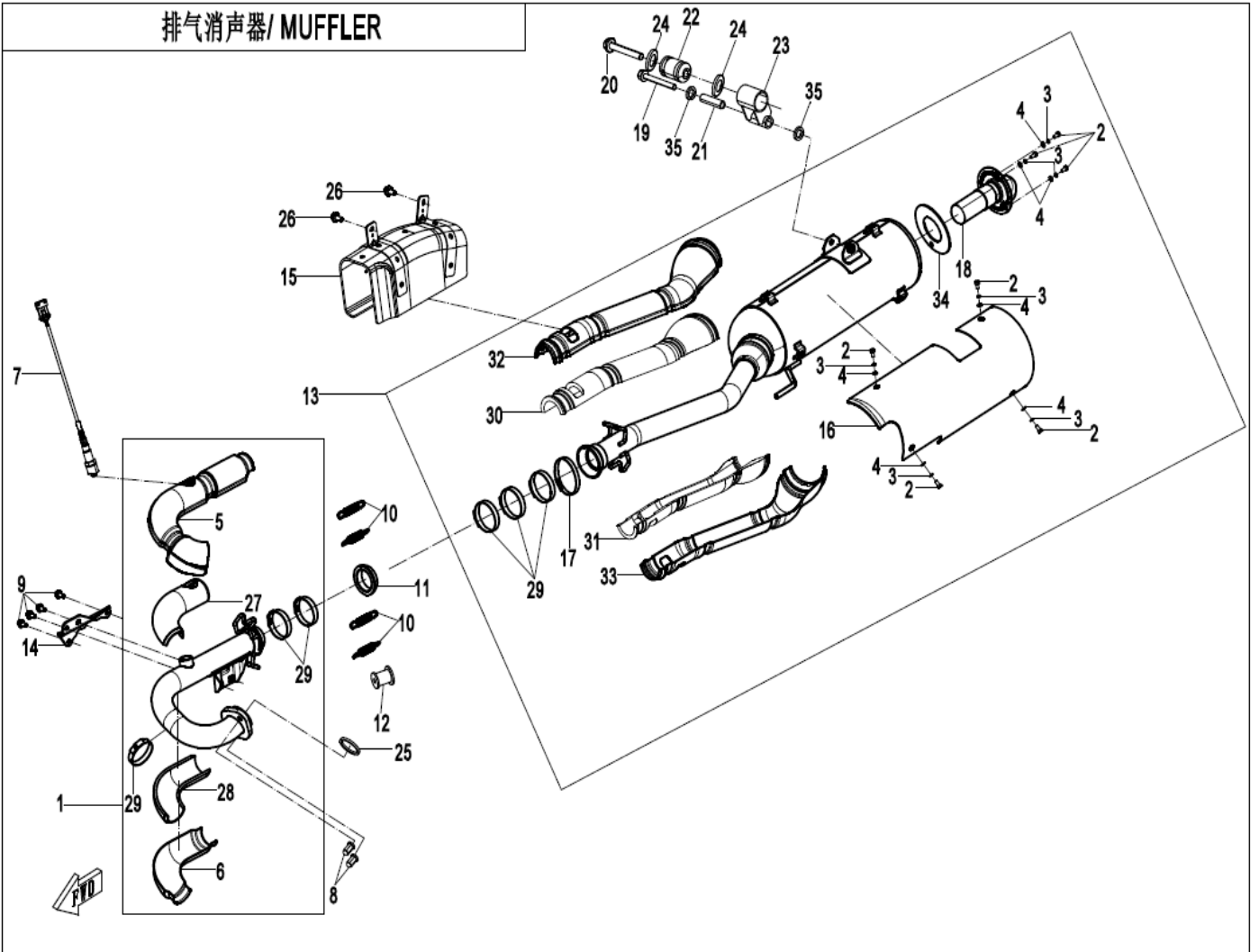
CVT通风管/ CVT AIR PIPE



F00-V2 CVT通风管 CVT AIR PIPE

Item No.	Parts Number	Parts Name(EN)	Qty	Specification
01	9GQ0-000201-10000	FRONT PART, CVT INLET PIPE	1	
02	9GQ0-000205	JOINT 2, AIR INLET PIPE, CVT	1	
03	9GQ0-000206	REAR AIR OUTLET PIPE, CVT	1	
04	9010-020007	A-TYPE SCREW CLAMP	2	50-70
05	9010-000105	A-TYPE SCREW CLAMP 78-101	2	78-101
06	9030-000109	SCREW CLAMP, A-TYPE	2	70~90
07	9GQ0-000203	JOINT, CVT AIR INLET PIPE	2	
08	30601-117010	CLAMP A17	2	A17
09	0180-110005	OIL STORAGE HOSE	2	
10	9GQL-000202	AIR OUTLET PIPE, CVT	1	
11	9GQ0-000204	PRE FILTER	1	
12	TFQ004	SCROLL PAPER, HEAT INSULATION	1	50*0.062

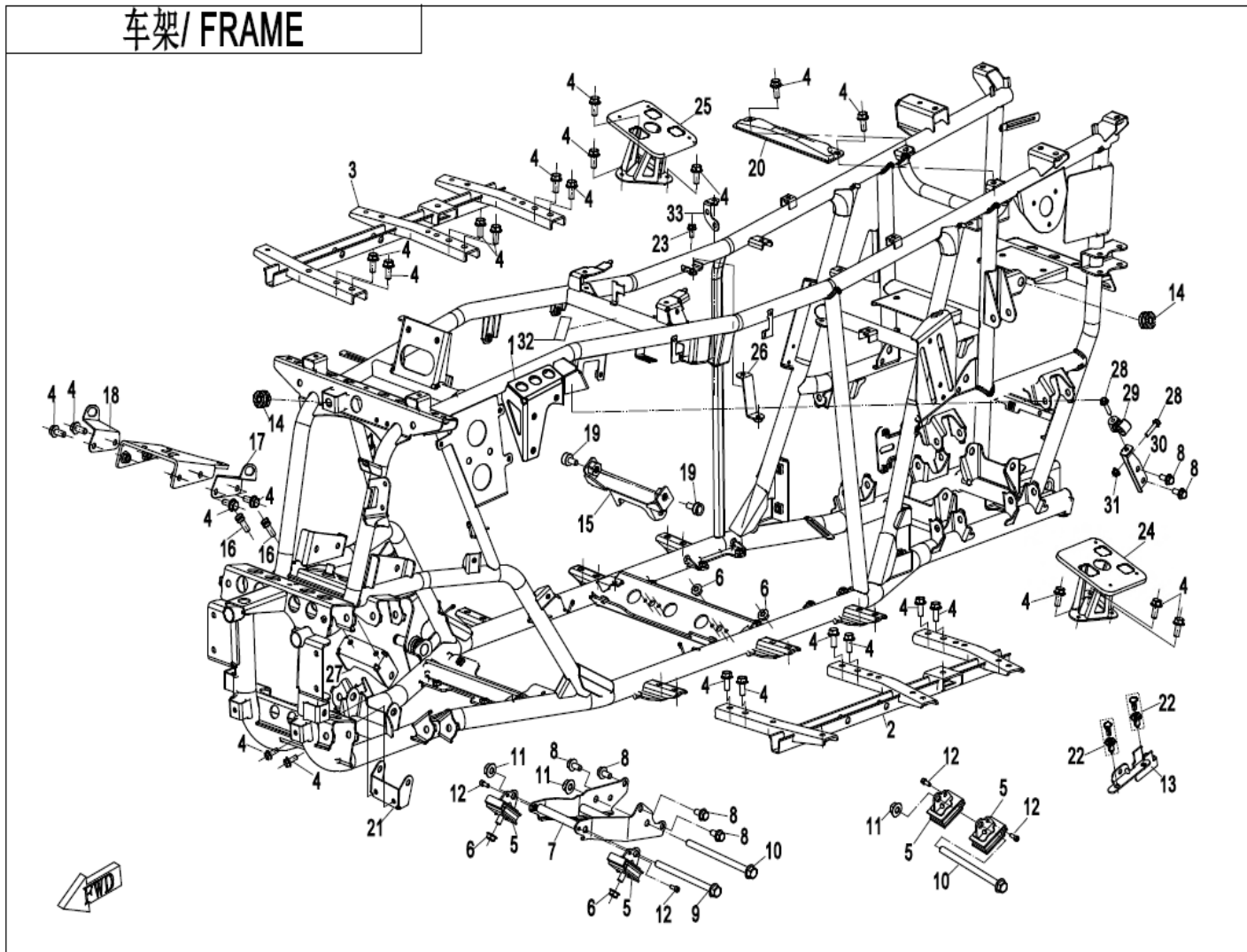
排气消声器/ MUFFLER



F02-V3 排气消声器 MUFFLER

Item No.	Parts Number	Parts Name(EN)	Qty	Specification
01	9GQ0-021100-10000	EXHAUST PIPE ASSY	1	
02	30000-060012700		7	
03	30303-060900	WASHER	7	6
04	30306-060800	WASHER 6	7	6
05	9DS#-021101-6000	UPPER HEAT INSULATOR, FRONT EXHAUST PIPE	1	
06	9DS#-021102-6000	LOWER HEAT INSULATOR, FRONT EXHAUST PIPE	1	
07	0HU0-176000	OXYGEN SENSOR	1	
07	018B-176000	OXYGEN SENSOR	1	
08	8010-020001	NUT M8, MUFFLER JOINT	2	M8
09	30006-060016810	BOLT M6x16	4	M6x16
10	9CR6-020002-00001	DRAG SPRING, MUFFLER	4	
11	9AWA-021003-00001	SMALL GRAPHITE RING	1	
12	9GQ0-020002	RUBBER BUSHING, MUFFLER	1	
13	9GQL-021200-30001	MUFFLER BODY ASSY	1	
14	9GQ0-020001-00002	SUPPORT PLATE, FRONT EXHAUST PIPE	1	
15	9GQ0-020010	SPRING HEAT INSULATION PLATE ASSY	1	
16	9GQ0-021201-10000	HEAT INSULATOR, MUFFLER BODY	1	
17	9030-000109	SCREW CLAMP, A-TYPE	1	70~90
18	9GQ0-021320	SPARK ARRESTOR	1	
19	30006-080065810	BOLT M8x65	1	M8x65
20	30006-102070810	BOLT M10x1.25x70	1	M10x1.25x70
21	7020-020001	LINER, MUFFLER	1	
22	9010-050500	CUSHION SLEEVE	1	
23	9CR6-020020	MOUNT ASSY, MUFFLER	1	
24	9010-050003	CAP, CUSHION SLEEVE	2	
25	0800-022300	BUSHING, EXHAUST PIPE	1	
26	30006-060012810	BOLT M6x12	2	M6x12
27	9DS#-021100-6000-20	UPPER HEAT INSULATOR	1	
28	9DS#-021100-6000-21	LOWER HEAT INSULATOR	1	
29	7030-021305	SCREW CLAMP, A-TYPE	6	
30	9GQL-021204	UPPER HEAT INSULATOR	1	
31	9GQL-021205	LOWER HEAT INSULATOR	1	
32	9GQL-021201	UPPER HEAT INSULATOR, RAER EXHAUST PIPE	1	
33	9GQL-021203	LOWER HEAT INSULATOR, RAER EXHAUST PIPE	1	
34	9DS#-021001-6000	SEAL GASKET, GRAPHITE	1	
35	9CR6-020003	WIRE WASHER	2	

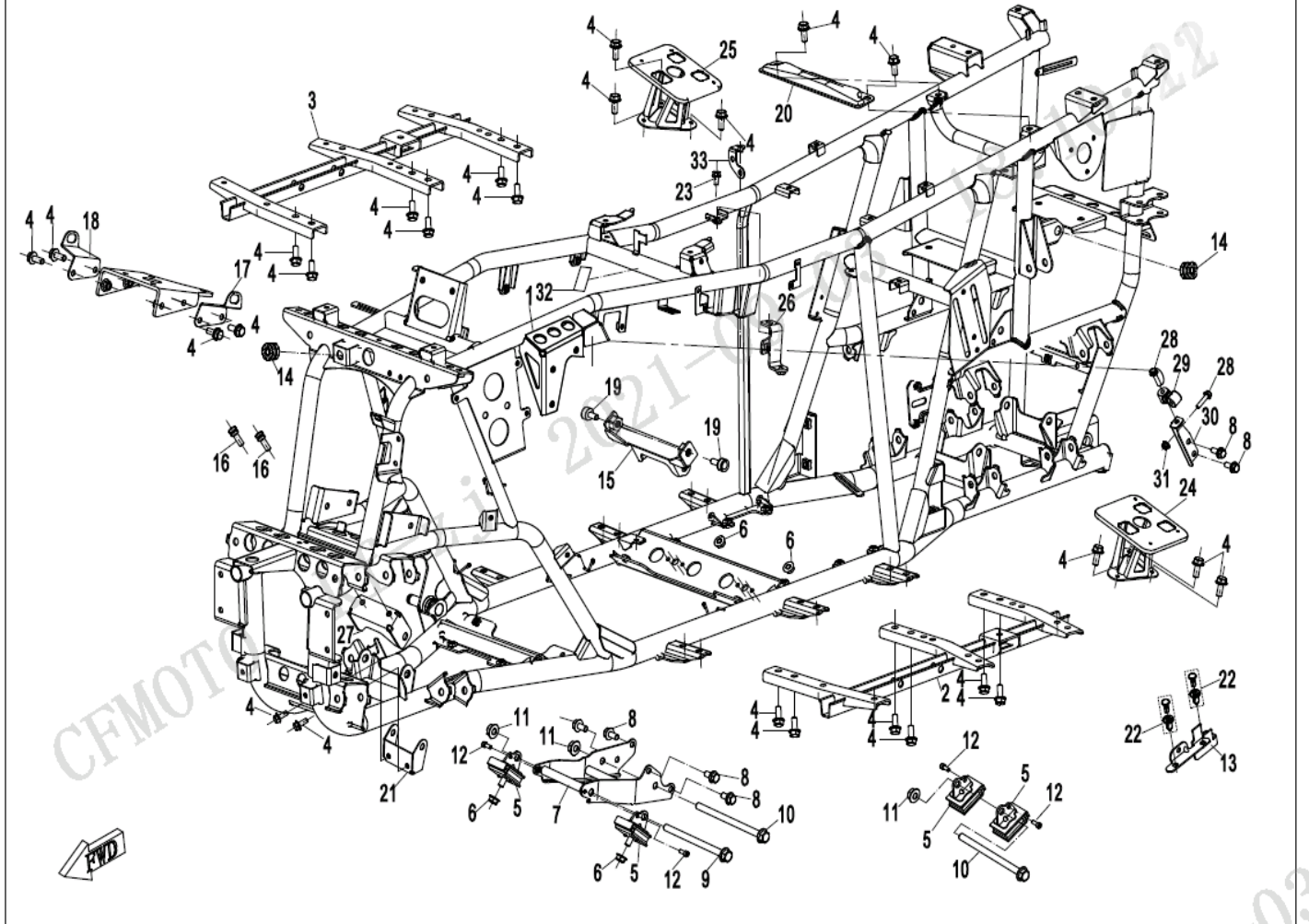
车架/ FRAME



F03-V4 车架 FRAME

Item No.	Parts Number	Parts Name(EN)	Qty	Specification
01	9GQL-031000-A0000	FRAME ASSY	1	
01	9GQL-031000-B0000	FRAME ASSY	1	
02	9GQL-039100	FOOT PEDAL, LH	1	
03	9GQL-039200	FOOT PEDAL, RH	1	
04	30006-080020810	BOLT M8x20	26	M8x20
05	401B-000200-10000	DAMPER	4	
06	30204-102810	NUT M10x1.25	4	M10x1.25
07	9CR6-001100-20000	FRONT BRACKET, ENGINE	1	
08	30006-103020810	BOLT M10x20	6	M10x20
09	30006-122170810	BOLT M12x1.25x170	1	M12x1.25x170
10	30006-122180810	BOLT M12x1.25x180	2	M12x1.25x180
11	30204-122810	NUT M12x1.25	3	M12x1.25
12	30102-060012810	SCREW	4	
13	9GQA-030020	BRACKET ASSY, ECU	1	
14	5020-031001	RUBBER SLEEVE, FRONT LICENSE BRACKET	2	
15	9GQ0-030070-10000	UPPER LINK SEAT, REAR GEAR CASE	1	
16	30102-080020810	SCREW M8x20	2	M8x20
17	9GQ0-030004	BRACKET, LH INNER FENDER	1	
18	9GQ0-030005	BRACKET, INNER FENDER(RH)	1	
19	30102-102020810	SCREW M10x1.25x20	2	M10x1.25x20
20	9GQ0-030010-10000	FIXING BRACKET,SEAT	1	
21	9GQ0-030110	LOWER BRACKET,FRONT GEAR CASE	1	
22	9060-040310	PLASTIC CLIPS	2	
23	30006-060012810	BOLT M6x12	1	M6x12
24	9GQL-039300	LH BRACKET, FOOT PEDAL	1	
25	9GQL-039400	RH BRACKET, FOOT PEDAL	1	
26	9GQ0-030080	LINKING BRACKET, AIR FILTER	1	
27	9GQ0-030050-10000	UPPER BRACKET, FRONT GEAR CASE	1	
28	30006-080035810	BOLT M8x35	2	M8x35
29	7020-000160	CONNECTING PARTS, ENGINE UPPER BRACKET	1	
30	9GQ0-030120	SIDE SUPPORT ASSY	1	
31	30204-080810	NUT M8	1	M8
32	6NQ0-190005	GLUE FILM, REAR FORK	1	
33	9GQ0-030131	LOCK PLATE, WIRE	1	

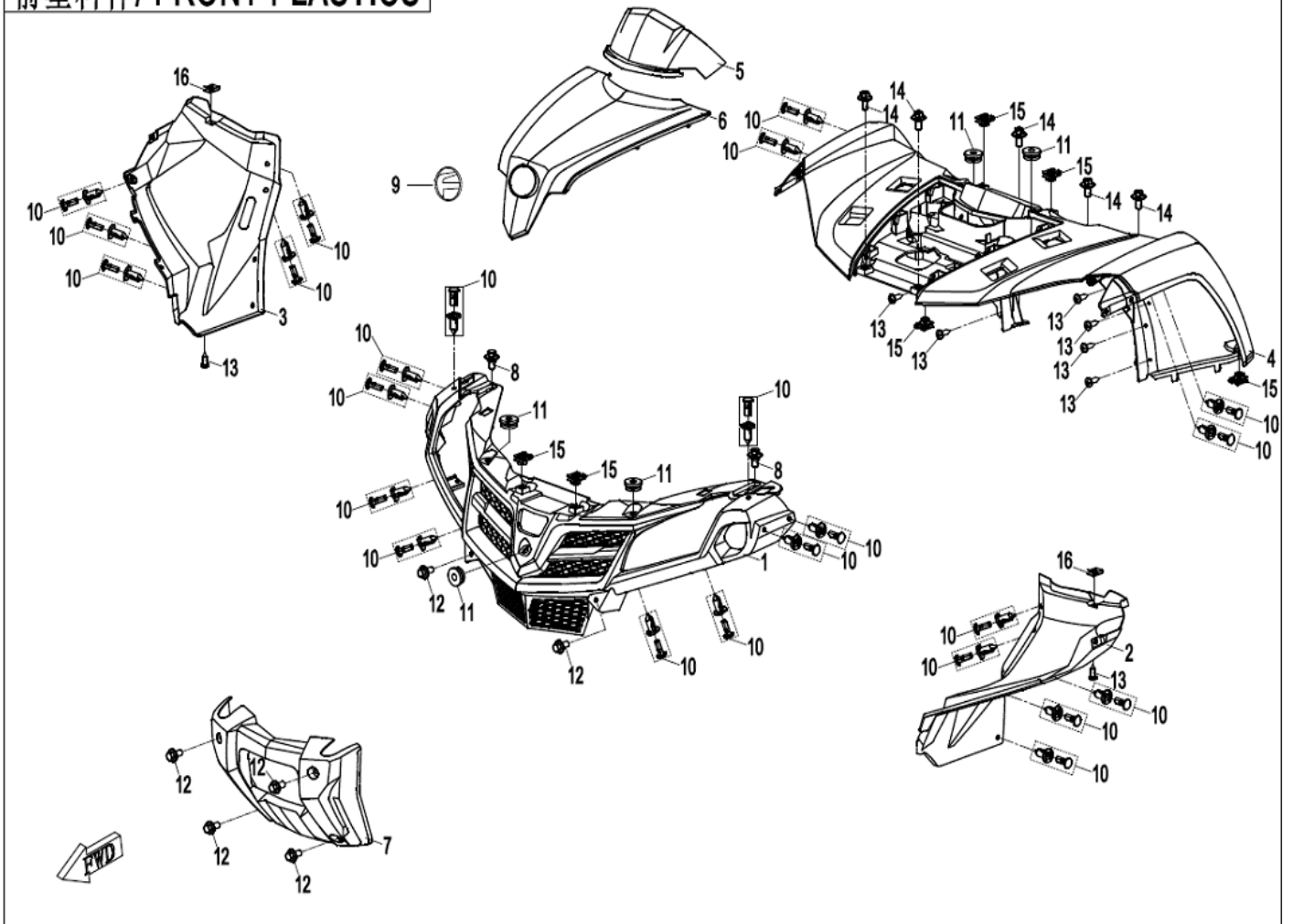
车架/ FRAME



F03-V5 车架 FRAME

Item No.	Parts Number	Parts Name(EN)	Qty	Specification
01	9GQL-031000-A0000	FRAME ASSY	1	
01	9GQL-031000-B0000	FRAME ASSY	1	
02	9GQL-039100	FOOT PEDAL, LH	1	
03	9GQL-039200	FOOT PEDAL, RH	1	
04	30006-080020810	BOLT M8x20	26	M8x20
05	401B-000200-10000	DAMPER	4	
06	30204-102810	NUT M10x1.25	4	M10x1.25
07	9CR6-001100-20000	FRONT BRACKET, ENGINE	1	
08	30006-103020810	BOLT M10x20	6	M10x20
09	30006-122170810	BOLT M12x1.25x170	1	M12x1.25x170
10	30006-122180810	BOLT M12x1.25x180	2	M12x1.25x180
11	30204-122810	NUT M12x1.25	3	M12x1.25
12	30102-060012810	SCREW	4	
13	9GQA-030020	BRACKET ASSY, ECU	1	
14	5020-031001	RUBBER SLEEVE, FRONT LICENSE BRACKET	2	
15	9GQ0-030070-10000	UPPER LINK SEAT, REAR GEAR CASE	1	
16	30102-080020810	SCREW M8x20	2	M8x20
17	9GQ0-030004	BRACKET, LH INNER FENDER	1	
18	9GQ0-030005	BRACKET, INNER FENDER(RH)	1	
19	30102-102020810	SCREW M10x1.25x20	2	M10x1.25x20
20	9GQ0-030010-10000	FIXING BRACKET, SEAT	1	
21	9GQ0-030110	LOWER BRACKET, FRONT GEAR CASE	1	
22	9060-040310	PLASTIC CLIPS	2	
23	30006-060012810	BOLT M6x12	1	M6x12
24	9GQL-039300	LH BRACKET, FOOT PEDAL	1	
25	9GQL-039400	RH BRACKET, FOOT PEDAL	1	
26	9GQV-030080-1400	BRACKET, AIR FILTER	1	
27	9GQ0-030050-10000	UPPER BRACKET, FRONT GEAR CASE	1	
28	30006-080035810	BOLT M8x35	2	M8x35
29	7020-000160	CONNECTING PARTS, ENGINE UPPER BRACKET	1	
30	9GQ0-030120	SIDE SUPPORT ASSY	1	
31	30204-080810	NUT M8	1	M8
32	6NQ0-190005	GLUE FILM, REAR FORK	1	
33	9GQ0-030131	LOCK PLATE, WIRE	1	

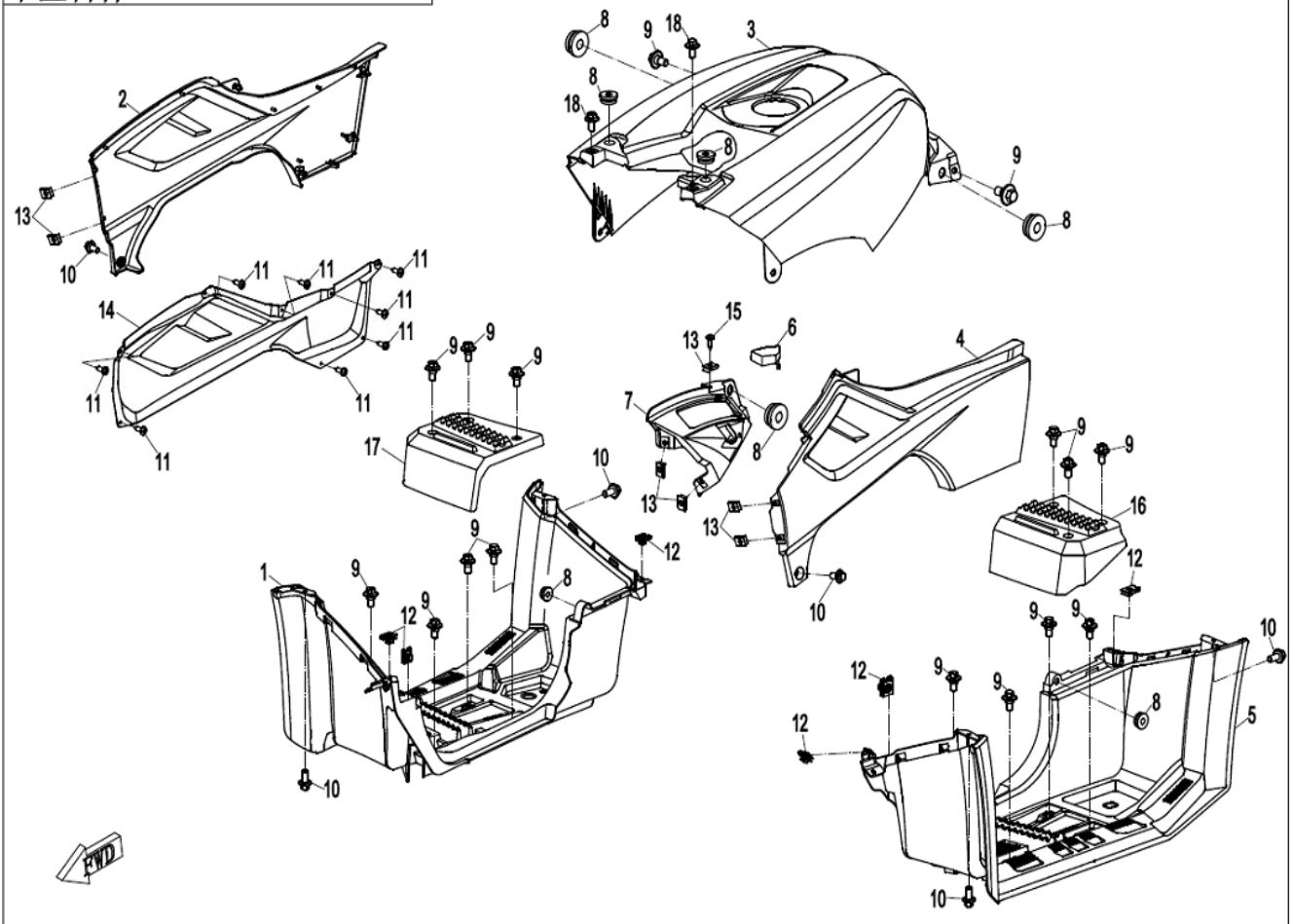
前塑料件/ FRONT PLASTICS



F04-1 前塑料件 FRONT PLASTICS

Item No.	Parts Number	Parts Name(EN)	Qty	Specification
01	9GQ0-041011	FRONT COVER, HEADLIGHT	1	
02	9GQ0-041013	GUARD, LH HEADLIGHT	1	
03	9GQ0-041014	GUARD, RH HEADLIGHT	1	
04	9GQ0-041021-0RE00	FRONT FENDER	1	TRUE TIMBER CAMO
04	9GQ0-041021-0YD00	FRONT FENDER	1	LAVA ORANGE
04	9GQ0-041021-0BM00	FRONT FENDER	1	NEBULA BLACK
04	9GQ0-041021-0EC00	FRONT FENDER	1	NEW ROYAL BLUE
04	9GQ0-041021-0P500	FRONT FENDER	1	INJECTED PEARL BLUE
04	9GQ0-041021-0P600	FRONT FENDER	1	INJECTED PEARL BLACK
05	9GQ0-041022-0YD00	DASHBOARD GUARD	1	LAVA ORANGE
05	9GQ0-041022-0BM00	COVER,DASHBOARD	1	NEBULA BLACK
05	9GQ0-041022-0EC00	COVER,DASHBOARD	1	NEW ROYAL BLUE
05	9GQ0-041022-0RE00	COVER, DASHBOARD	1	TRUE TIMBER CAMO
05	9GQ0-041022-0P500	COVER, DASHBOARD	1	INJECTED PEARL BLUE
05	9GQ0-041022-0P600	COVER, DASHBOARD	1	INJECTED PEARL BLACK
06	9GQV-041023-1000-0RE00	FRONT TOP COVER	1	TRUE TIMBER CAMO
06	9GQV-041023-1000-0YD00	FRONT TOP COVER	1	LAVA ORANGE
06	9GQV-041023-1000-0BM00	FRONT TOP COVER	1	NEBULA BLACK
06	9GQV-041023-1000-0EC00	FRONT TOP COVER	1	NEW ROYAL BLUE
06	9GQV-041023-1000-0P500	FRONT TOP COVER	1	INJECTED PEARL BLUE
06	9GQV-041023-1000-0P600	FRONT TOP COVER	1	IINJECTED PEARL BLACK
07	9GQ0-041041	FRONT LOWER GUARD	1	
08	8010-000005	BOLT M6x17	2	M6x17
09	7030-190001	CFMOTO LOGO	1	BIG
10	9060-040310	PLASTIC CLIPS	24	
11	0180-015003	RUBBER SLEEVE	5	
12	8010-000004	BOLT M6x14	6	M6x14
13	30110-480160010	SELF-TAPPING SCREW ST4.8x16	8	ST4.8x16
14	30006-060016810	BOLT M6x16	5	M6x16
15	8030-040800	NUT CLIP M6	6	M6
16	5020-040049	CLAMP ST4.8	2	ST4.8

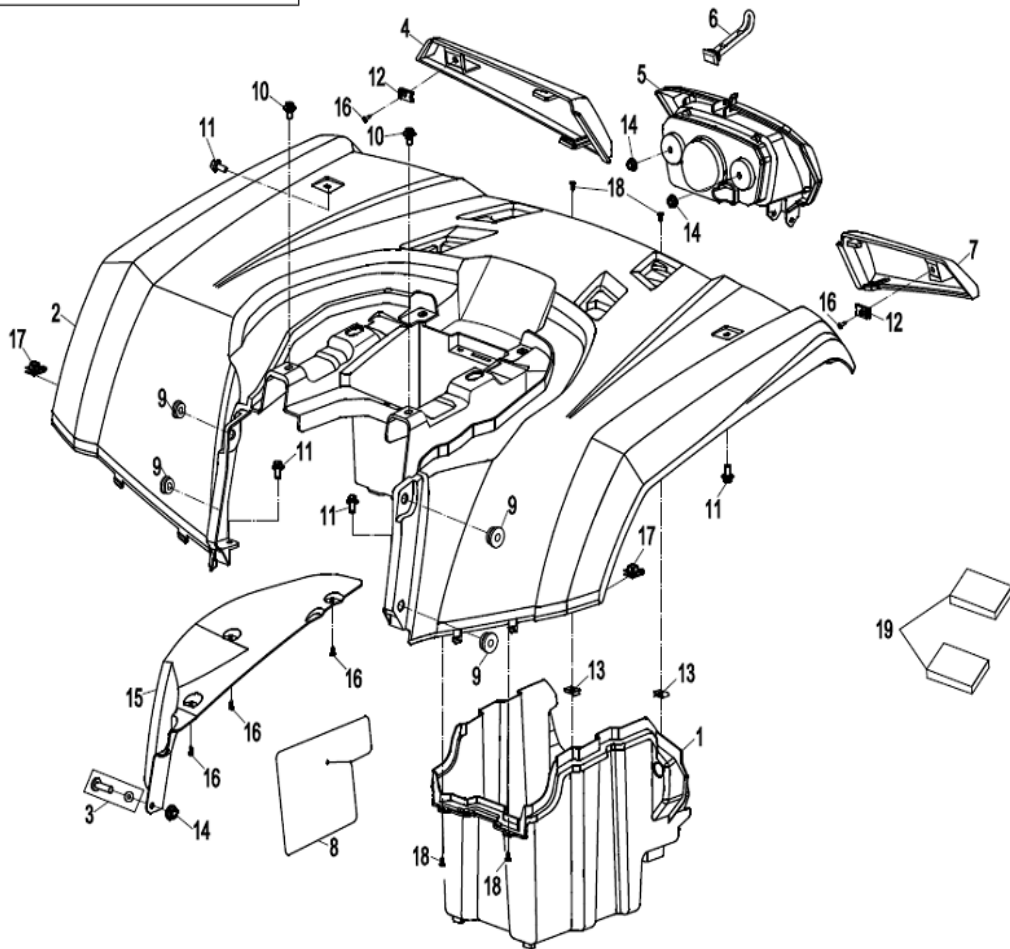
中塑料件/ MIDDLE PLASTICS



F04-2 MIDDLE PLASTICS

No.	Parts Number	Parts Name(EN)	Qty	Specification
01	9GQL-042032	FOOT PEDAL, RH	1	
02	9GQV-042022-2000-0EC00	RH SIDE COVER	1	NEW ROYAL BLUE
02	9GQV-042022-2000-0BM00	RH SIDE COVER	1	NEBULA BLACK
02	9GQV-042022-2000-0YD00	RH SIDE COVER	1	LAVA ORANGE
02	9GQV-042022-2000-0RE00	RH SIDE COVER	1	TRUE TIMBER CAMO
02	9GQV-042022-2000-0P500	RH SIDE COVER	1	INJECTED PEARL BLUE
02	9GQV-042022-2000-0P600	RH SIDE COVER	1	INJECTED PEARL BLACK
03	9GQ0-042011-0BM00	UPPER PANEL, FUEL TANK	1	NEBULA BLACK
03	9GQ0-042011-0EC00	UPPER PANEL, FUEL TANK	1	NEW ROYAL BLUE
03	9GQ0-042011-0YD00	UPPER PANEL, FUEL TANK	1	LAVA ORANGE
03	9GQ0-042011-0RE00	UPPER PANEL, FUEL TANK	1	TRUE TIMBER CAMO
03	9GQ0-042011-0P500	UPPER PANEL, FUEL TANK	1	INJECTED PEARL BLUE
03	9GQ0-042011-0P600	UPPER PANEL, FUEL TANK	1	INJECTED PEARL BLACK
04	9GQL-042021-0EC00	SIDE COVER,LH	1	NEW ROYAL BLUE
04	9GQL-042021-0YD00	LH SIDE COVER	1	LAVA ORANGE
04	9GQL-042021-0BM00	SIDE COVER, LH	1	NEBULA BLACK
04	9GQL-042021-0RE00	LH SIDE COVER	1	TRUE TIMBER CAMO
04	9GQL-042021-0P500	SIDE COVER, LH	1	INJECTED PEARL BLUE
04	9GQL-042021-0P600	SIDE COVER, LH	1	INJECTED PEARL BLACK
05	9GQL-042031	FOOT PEDAL, LH	1	
06	9GQ0-042025	COVER, LOCK	1	
07	9GQ0-042023-0EC00	DECO COVER,GEARSHIFT	1	NEW ROYAL BLUE
07	9GQ0-042023-0BM00	DECO COVER,GEARSHIFT	1	NEBULA BLACK
07	9GQ0-042023-0YD00	DECO COVER, GEARSHIFT	1	LAVA ORANGE
07	9GQ0-042023-0RE00	DECO COVER, GEARSHIFT	1	TRUE TIMBER CAMO
07	9GQ0-042023-0P500	DECO COVER, GEARSHIFT	1	INJECTED PEARL BLUE
07	9GQ0-042023-0P600	DECO COVER, GEARSHIFT	1	INJECTED PEARL BLACK
08	0180-015003	RUBBER SLEEVE	7	
09	8010-000004	BOLT M6x14	16	M6x14
10	30006-060016810	BOLT M6x16	6	M6x16
11	30110-420130010	SELF-TAPPING SCREW ST4.2x13	8	ST4.2x13
12	8030-040800	NUT CLIP M6	6	M6
13	5020-040049	CLAMP ST4.8	7	ST4.8
14	9GQL-042027	HEAT INSULATOR, RH SIDE COVER	1	
15	30110-480160010	SELF-TAPPING SCREW ST4.8x16	1	ST4.8x16
16	9GQL-042033	FOOTREST, LH	1	
17	9GQL-042034	FOOTREST, RH	1	
18	30006-060020810	BOLT M6x20	2	M6x20

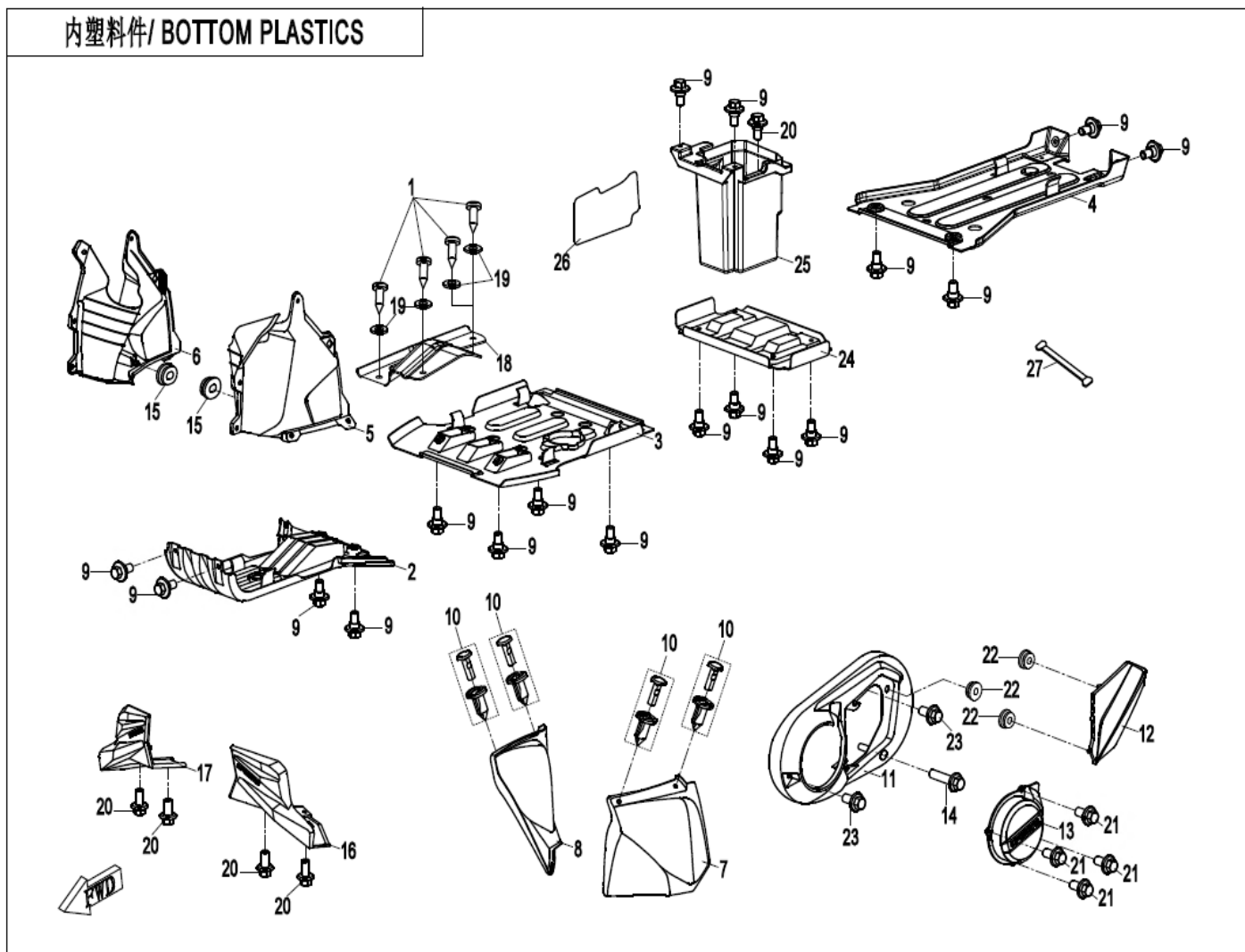
后塑料件/ REAR PLASTICS



F04-3 REAR PLASTICS

Item No.	Parts Number	Parts Name(EN)	Qty	Specification
01	9GQ0-043022	REAR TAIL BOX	1	
02	9GQV-043021-7400-0YD00	REAR FENDER	1	LAVA ORANGE
02	9GQV-043021-7400-0RE00	REAR FENDER	1	TRUE TIMBER CAMO
02	9GQV-043021-7400-0BM00	REAR FENDER	1	NEBULA BLACK
02	9GQV-043021-7400-0EC00	REAR FENDER	1	NEW ROYAL BLUE
02	9GQV-043021-7400-0P500	REAR FENDER	1	INJECTED PEARL BLUE
02	9GQV-043021-7400-0P600	REAR FENDER	1	INJECTED PEARL BLACK
03	30112-060012410	SCREW ASSY M6x12	1	M6x12
04	9GQ0-043026	RH REAR DECO PLATE	1	
05	9GQ0-043011	PLATE, TAIL LIGHT	1	
06	7020-040315	BAND, FUEL TANK FILLER COVER	1	
07	9GQ0-043025	LH REAR DECO PLATE	1	
08	9GQ0-043028	SMALL HEAT-INSULATED PAPER	1	
09	0180-015003	RUBBER SLEEVE	4	
10	8010-000004	BOLT M6x14	2	M6x14
11	30006-060016810	BOLT M6x16	4	M6x16
12	8010-000002	CLAMP ST4.2	2	ST4.2
13	5020-040049	CLAMP ST4.8	2	ST4.8
14	30204-060810	NUT M6	3	M6
15	9GQ0-043032	HEAT INSULATOR, REAR FENDER	1	
15	9GQV-043032-7400	HEAT INSULATOR, REAR FENDER	1	
16	30110-420130010	SELF-TAPPING SCREW ST4.2x13	5	ST4.2x13
17	8030-040800-00001	NUT CLIP M6	2	M6
18	30110-480160010	SELF-TAPPING SCREW ST4.8x16	4	ST4.8x16
19	4020-040402	SPONGE, FRONT TOP COVER	2	

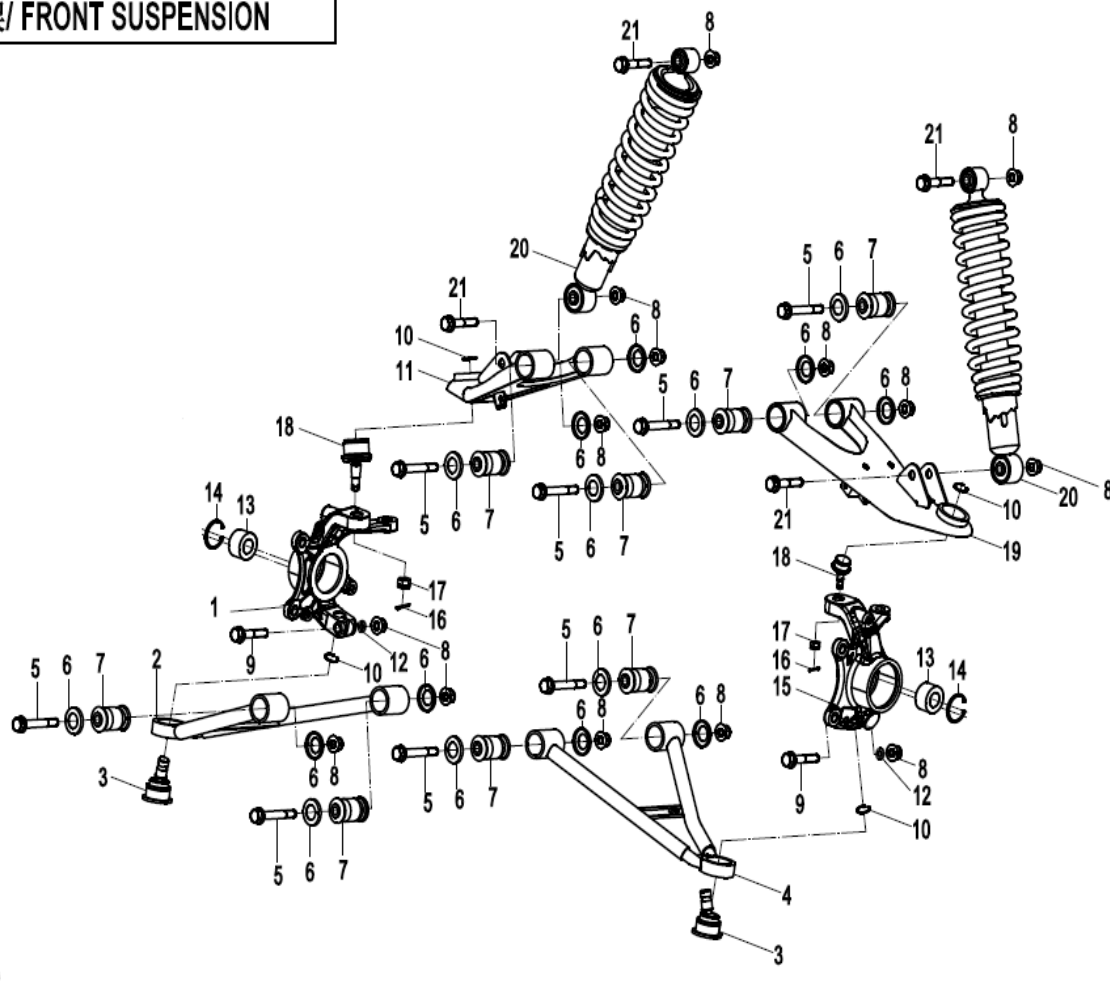
内塑料件/ BOTTOM PLASTICS



F04-4-V4 BOTTOM PLASTICS

Item No.	Parts Number	Parts Name(EN)	Qty	Specification
01	30902-0401320	BLIND RIVET	4	4x13
02	9GQ0-044021	FRONT PANEL, ENGINE	1	
03	9GQ0-044022	MIDDLE PANEL, ENGINE	1	
04	9GQ0-044023-10000	REAR PANEL, ENGINE	1	
05	9GQ0-044031	FRONT UPPER INNER FENDER, LH	1	
06	9GQ0-044032	FRONT UPPER INNER FENDER, RH	1	
07	9GQ0-044033-10000	FRONT LOWER INNER FENDER,LH	1	
08	9GQ0-044034-10000	FRONT LOWER INNER FENDER,RH	1	
09	8010-000004	BOLT M6x14	18	M6x14
10	9060-040310	PLASTIC CLIPS	4	
11	9CR6-044051-10000	LH COVER, ENGINE	1	
12	9CR6-044052	CAP, OIL FILLER	1	
12	9CRV-044052-2400	CAP, OIL FILLER	1	
13	9CR6-044053	DECO COVER, MANUAL START	1	
14	30006-060050810	BOLT M6x50	1	M6x50
15	7020-040209	FIXING RUBBER BUSHING	2	
16	9GQ0-044041	PANEL, LH FRONT SUSPENSION	1	
17	9GQ0-044042	PANEL, FRONT SUSPENSION(RH)	1	
18	9GQ0-044051-20000	LOWER HEAT INSULATOR,FUEL TANK	1	
19	30306-040142	WASHER	4	4
20	30006-060012810	BOLT M6x12	5	M6x12
21	0010-021019-0010	BOLT M6x12	4	M6x12
22	0180-015003	RUBBER SLEEVE	3	
23	30006-060016810	BOLT M6x16	2	M6x16
24	9GQL-044024	BASE PLATE (EX)	1	
25	9GQL-044025-10000	TOOL BOX	1	
26	9GQL-044061	HEAT INSULATION PAPER, TOOL BOX	1	
27	9GQ0-040910	TIE BAND, BATTERY	1	

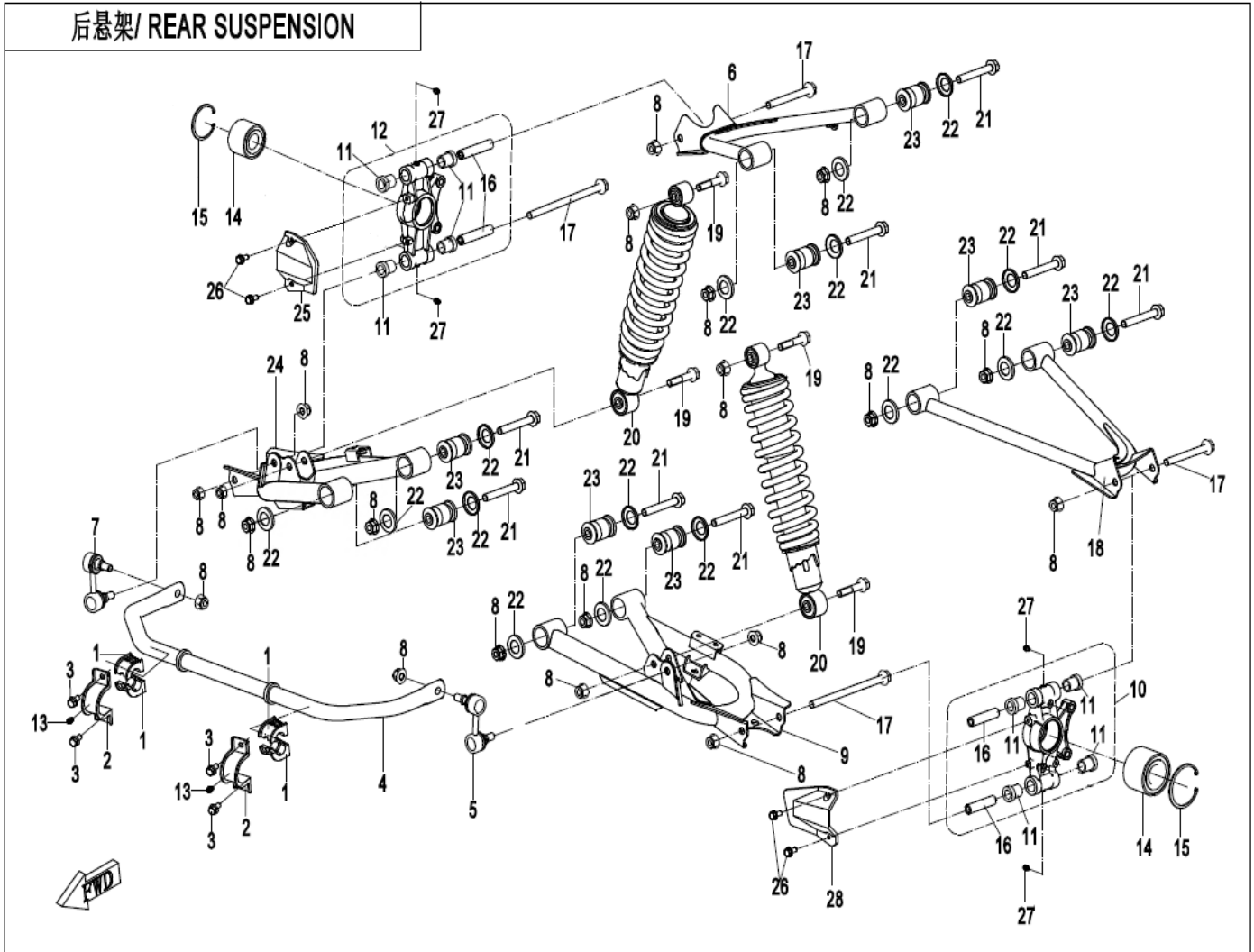
前悬架/ FRONT SUSPENSION



F05-B-V2 FRONT SUSPENSION(NA)

Item No.	Parts Number	Parts Name(EN)	Qty	Specification
01	9GQA-050801-10000	STEERING KNUCKLE, RH	1	
02	9GQ0-050410	FRONT LOWER SWING ARM, RH	1	
03	9010-050800-20000	LOWER BALL PIN ASSY.	2	
04	9GQ0-050210	FRONT LOWER SWING ARM, LH	1	
05	30006-102070810	BOLT M10x1.25x70	8	M10x1.25x70
06	9010-050003	CAP, CUSHION SLEEVE	16	
07	9010-050500	CUSHION SLEEVE	8	
08	30204-102810	NUT M10x1.25	14	M10x1.25
09	30006-102050810	BOLT M10x1.25x50	2	M10x1.25x50
10	30801-03405	CIRCLIPS FOR SHAFT 34	4	34
11	9GQ0-050310-10000	FRONT RH UPPER SWING ARM	1	
12	9010-300002	WASHER Dia 10	2	Dia 10
13	9GQ0-050710	BEARING, HUB	2	
14	30800-05505	CIRCLIP FOR HOLE 55	2	55
15	9GQA-050701-10000	STEERING KNUCKLE, LH	1	
16	30903-0201610	COTTER PIN	2	2.0x16
17	30207-102810	NUT M10x1.25	2	M10x1.25
18	9010-050700-1000	TOP BALL PIN	2	CCVI
19	9GQ0-050110-10000	FRONT LH UPPER SWING ARM	1	
20	9GQ0-050500	FRONT SHOCK ABSORBER	2	
21	30006-102055810	BOLT M10x1.25x55	4	M10x1.25x55

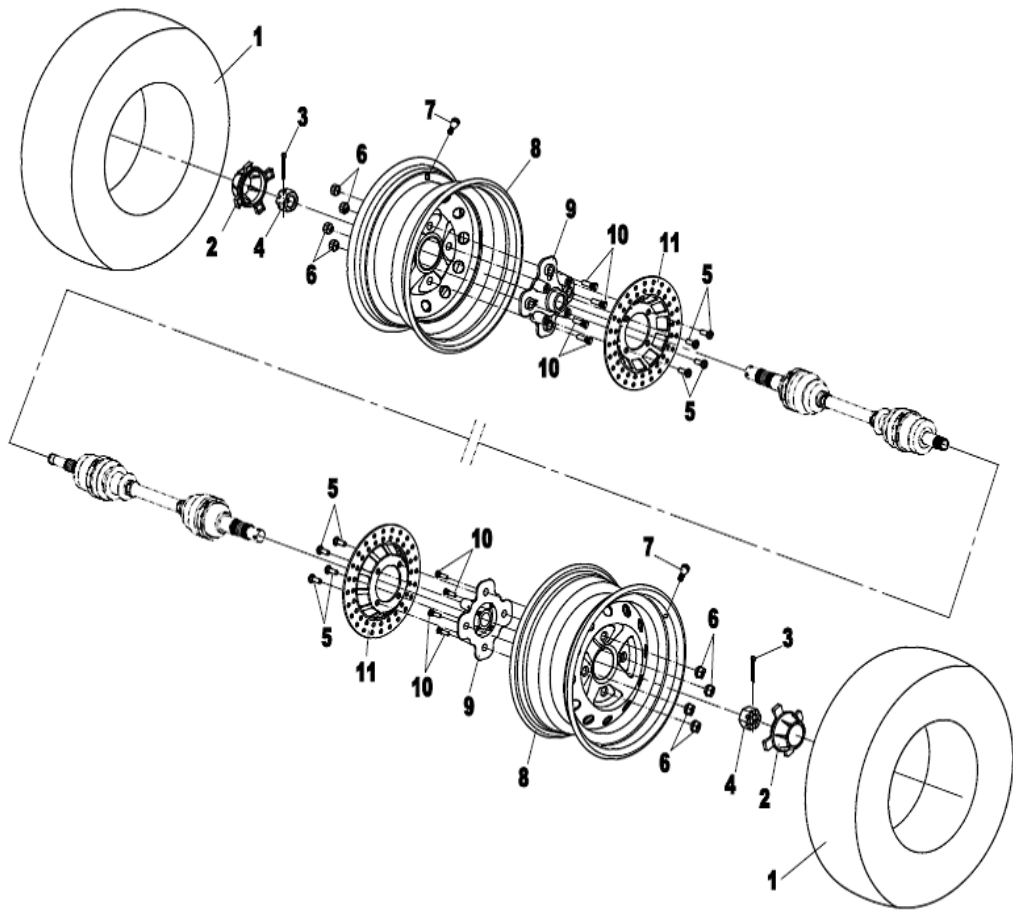
后悬架/ REAR SUSPENSION



F06-V5 REAR SUSPENSION

Item No.	Parts Number	Parts Name(EN)	Qty	Specification
01	9GQ0-060003	SUPPORTER, SWAY BAR	4	
02	9GQ0-060601-00001	COVER, SWAY BAR	2	
03	30006-080016810	BOLT M8x16	4	M8x16
04	9GQ0-060610-10000	REAR SWAY BAR ASSY	1	
05	9010-060700-20000	BALL PIN, LH	1	CCVI
06	9GQ0-060310	REAR UPPER SWING ARM, RH	1	
07	9010-060800-20000	BALL PIN, RH	1	CCVI
08	30204-102810	NUT M10x1.25	20	M10x1.25
09	9GQ0-060210-00002	REAR LOWER SWING ARM,LH	1	
10	7020-0607A0	LH REAR BEARING CARRIER ASSY,	1	
11	9060-050003	SHORT BUSHING, SWING ARM	8	
12	7020-0608A0	RH REAR BEARING CARRIER ASSY	1	
13	3120100	GREASE ZERK	2	
14	9GQ0-050710	BEARING, HUB	2	
15	30800-05505	CIRCLIP FOR HOLE 55	2	55
16	7020-060702-00001	MIDDLE SPACER, REAR BEARING CARRIER	4	
17	30006-102100810	BOLT M10x1.25x100	4	M10x1.25x100
18	9GQ0-060110	REAR UPPER SWING ARM, LH	1	
19	30006-102055810	BOLT M10x1.25x55	4	M10x1.25x55
20	9GQ0-060500	REAR SHOCK ABSORBER	2	
21	30006-102070810	BOLT M10x1.25x70	8	M10x1.25x70
22	9010-050003	CAP, CUSHION SLEEVE	16	
23	9010-050500	CUSHION SLEEVE	8	
24	9GQ0-060410-00002	REAR LOWER SWING ARM,RH	1	
25	9GQ0-044046	RH FENDER, REAR SUSPENSION	1	
26	30006-060016810	BOLT M6x16	4	M6x16
27	3121400	GREASE NOZZLE	4	90 DEGREE
28	9GQ0-044045	LH FENDER, REAR SUSPENSION	1	

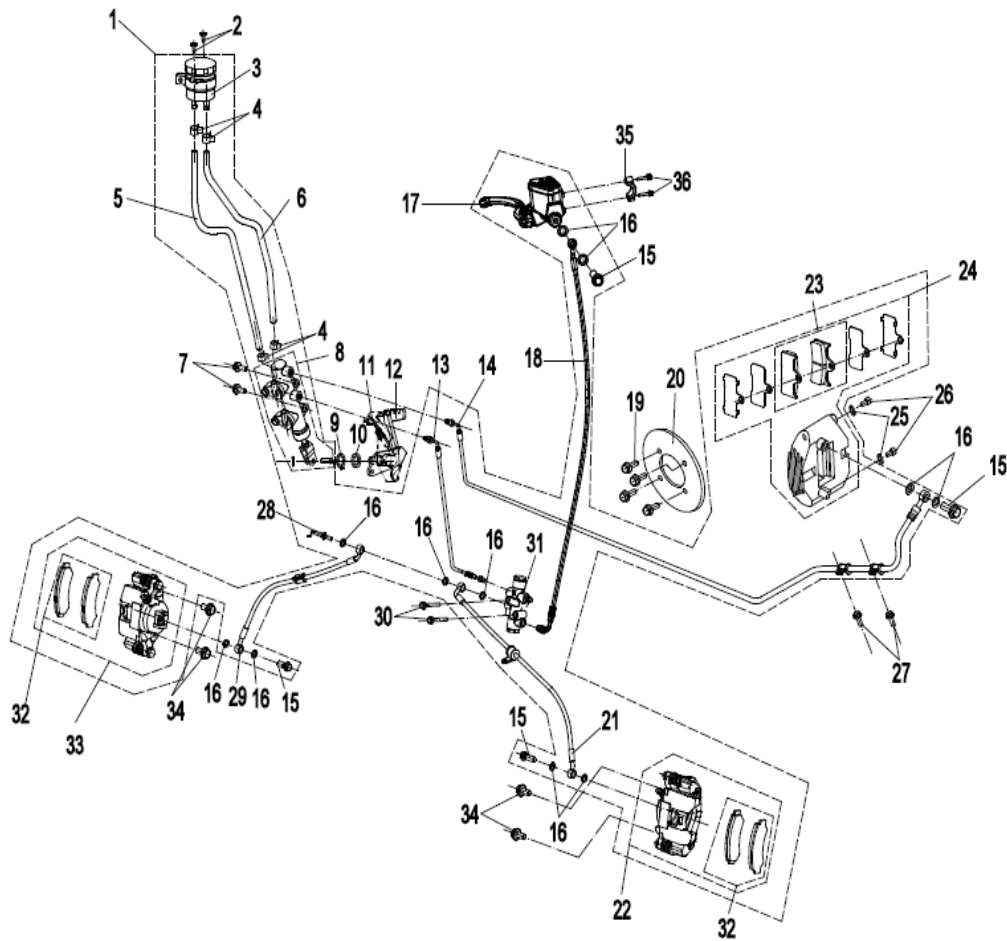
前轮 FRONT WHEEL



F07-V2 FRONT WHEEL

Item No.	Parts Number	Parts Name(EN)	Qty	Specification
01	30703-1241	TIRE	2	24x8-12 45J, EPA
01	30703-1230	FRONT TIRE, ATV	2	25x8-12, MAXXIS, OFF-ROAD
01	30703-1204	FRONT TIRE, ATV	2	25x8.0-12, INNOVA TIRE, OFF-ROAD, USA(DOT)
01	30703-1205	FRONT TIRE, ATV	2	25x8.0-12, INNOVA TIRE, OFF-ROAD, EURO(E11)
02	7020-070101-1000	DECO COVER, ALUMINUM RIM	2	WITH CF LOGO
02	9010-040028-1000	DECO COVER, STEEL RIM	2	FOR 12" STEEL WHEEL
03	30903-0403610	COTTER PIN	2	40x36
04	5HY0-110001	HEX FLANGE NUT	2	
05	A000-080001	SCREW	8	
06	9010-070002-A000	MOUNTING NUT, RIM	8	CHROME PLATED
06	9010-070002	MOUNTING NUT, RIM	8	ARMY GREEN
07	5190-070030-1000	VALVE, INFLATION	2	
08	9030-070100-20000	FRONT RIM	2	12"@MATTE BLACK@ALUM RIM
08	9010-070100-20000	FRONT RIM	2	12 IN, DOUBLE CROSS ALUM WHEEL, SUPPLIERS:Chiping xinf
08	9010-070100-B000	FRONT RIM	2	12", STEEL RIM, BLACK PAINT
08	9010-070100-2B200	FRONT RIM	2	12 IN, DOUBLE CROSS ALUM WHEEL, MATTE BLACK
09	9GQV-070001-1400	FRONT WHEEL BRACKET	2	
10	9010-070201	BOLT, FRONT WHEEL BRACKET	8	
11	7020-080001	FRONT BRAKE DISC	2	
11	9010-080001-1000	FRONT BRAKE DISC	2	RUS
11	7020-080003-00001	FRONT BRAKE DISC	2	

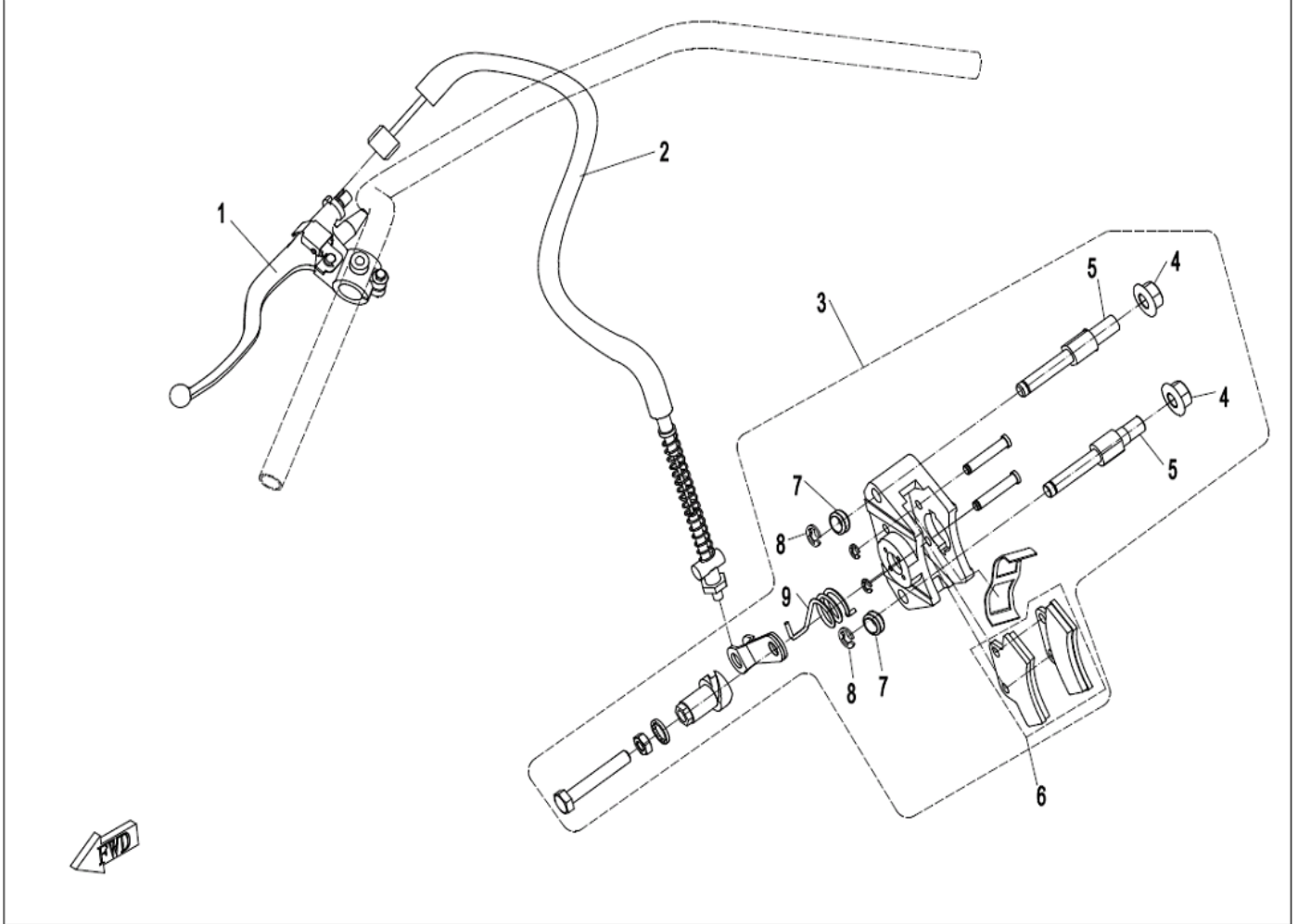
制动系统/ BRAKE SYSTEM



F08-1-C-V3 BRAKE SYSTEM

Item No.	Parts Number	Parts Name(EN)	Qty	Specification
01	9GQ0-081000-50000	HYDRAULIC BRAKE ASSY	1	
02	30110-480160010	SELF-TAPPING SCREW ST4.8x16	2	ST4.8x16
03	9GQ0-080110	FLUID RESERVOIR	1	
04	9010-080405	CLAMP	4	
05	9GQ0-080101	FLUID RESERVOIR HOSE 1	1	
06	9GQ0-080102	FLUID RESERVOIR HOSE 2	1	
07	30006-080025810	BOLT	2	M8x25
08	9CRB-081010-00001	MASTER CYLINDER	1	
09	30801-01405	CIRCLIPS FOR SHAFT14	1	14
10	30304-140430	WASHER	1	14
11	9GQ0-080202	RETURN SPRING, BRAKE PEDAL	1	
12	9GQ0-080210-10000	PEDAL, BRAKE	1	
13	9GQA-080150-10000	FRONT BRAKE FLUID HOSE	1	
14	9GQS-081010-10000	REAR BRAKE FLUID HOSE	1	
15	7020-081004	BANJO BOLT	4	
16	901B-080102	WASHER	11	80
17	9AY0-081200	MASTER CYLINDER ASSY, RH HAND BRAKE	1	
18	9AY0-081010	BRAKE FLUID HOSE, LH HAND BRAKE	1	
19	7020-100001	BOLT M8x22	4	M8x22
20	7020-080002	REAR BRAKE DISC	1	FOUR HOLES INSTEAD OF SIX HOLES OF INSTALLATION STRUCTURE
21	9GQA-080110-10000	LH FRONT BRAKE FLUID HOSE	1	
22	9CR3-081100-10000	FRONT BRAKE CALIPER ASSY, LH	1	
23	9CR3-0813A0	REAR BRAKE PAD ASSY	1	
24	9GQS-081100-10000	REAR BRAKE CALIPER ASSY	1	
25	30300-100112	WASHER	2	
26	30102-102020810	SCREW M10x1.25x20	2	M10x1.25x20
27	30006-060016810	BOLT M6x16	2	M6x16
28	7020-080010	HYDRAULIC INDUCTION SWITCH	1	ORDINARY
29	9GQA-080120-10000	RH FRONT BRAKE FLUID HOSE	1	
30	30006-060045810	BOLT M6x45	2	M6x45
31	7020-081070	HYDRAULIC DISTRIBUTION VALVE	1	
32	7020-0810B0	FRONT BRAKE PAD ASSY	2	
33	9CR3-081200-10000	FRONT BRAKE CALIPER ASSY, RH	1	
34	30006-102020810	BOLT M10x1.25x20	4	M10x1.25x20
35	9AY0-080005	PRESS CAP, HAND BRAKE MASTER CYLINDER	1	
36	30006-060022810	BOLT M6x22	2	M6x22

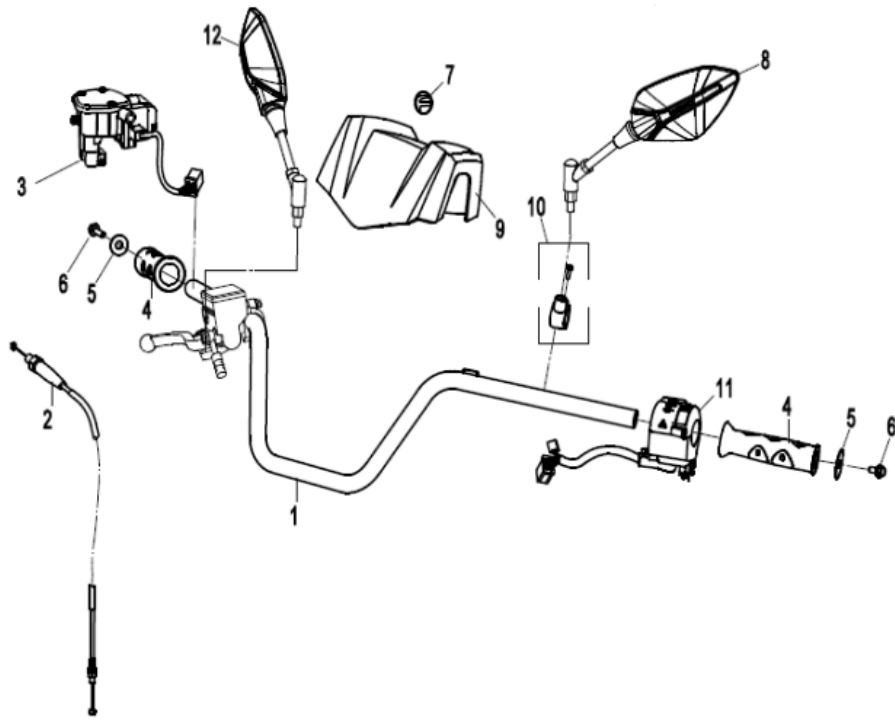
F08-2 驻车系统/ PARKING SYSTEM



F08-2 PARKING SYSTEM

Item No.	Parts Number	Parts Name(EN)	Qty	Specification
01	9CR6-080200-10000	PARKING LEVER, REAR BRAKE	1	
02	9GQL-080300	PARKING CABLE, REAR BRAKE	1	
03	9GQ0-080200	PARKING BRAKE	1	
04	30204-102810	NUT M10x1.25	2	M10x1.25
05	7000-082107	MAIN SLIDING SHAFT	2	
06	7000-0821A0	BRAKE PAD ASSY	1	
07	7000-082108	RUBBER SLEEVE, UPPER SLIDING SHAFT	2	
08	30802-00605	CIRCLIP 6	2	6
09	7000-082103	RETURN SPRING	1	

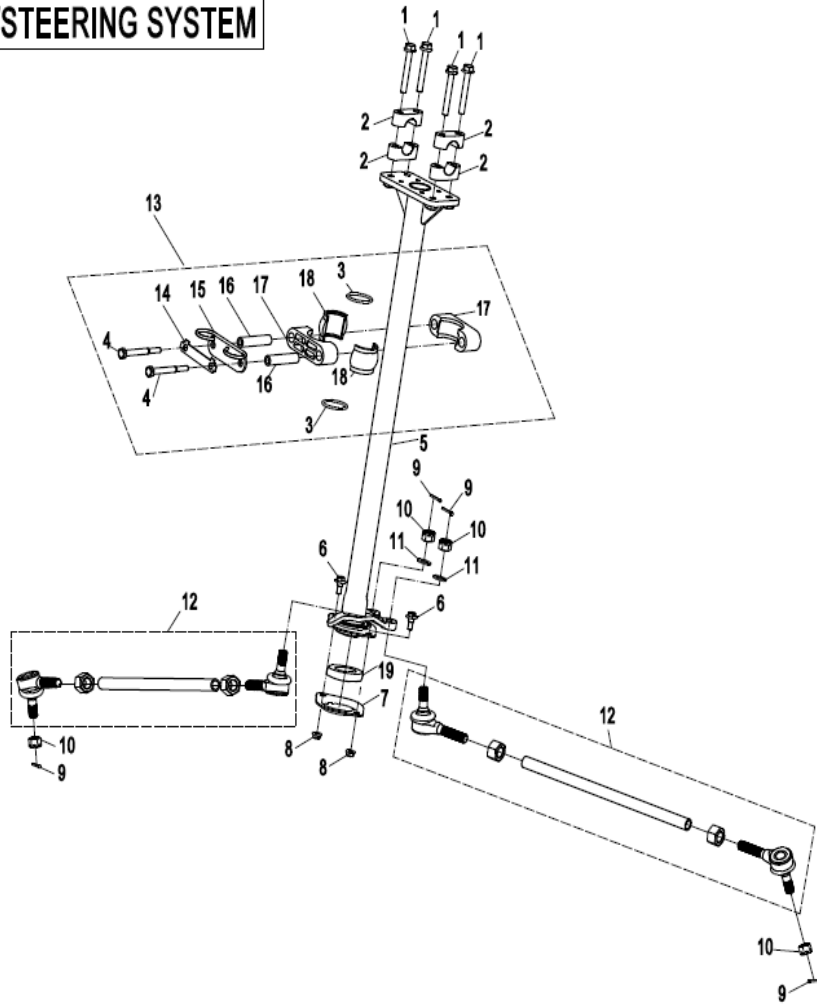
方向把/ HANDLEBAR



F10-1-A-V2 HANDLEBAR (4WD)

Item No.	Parts Number	Parts Name(EN)	Qty	Specification
01	9CR6-101100-10000	HANDLEBAR ASSY	1	
02	9GQ0-105000	THROTTLE CABLE	1	
03	9GQ0-160700-00002	HANDLEBAR SWITCH ASSY, RH	1	
03	9GQ0-160700-10002	HANDLEBAR SWITCH ASSY, RH	1	NA
04	8060-100001	LH HAND GRIP	2	
05	9010-020187	GASKET, MUFFLER	2	
06	30121-080020870	SCREW M8x20	2	
07	9CR6-190001	CFMOTO LOGO	1	SMALL
08	9AY0-200200	REAR VIEW MIRROR ASSY, LH	1	
09	9CR6-101001	TOP COVER, HANDLEBAR	1	
10	9CR6-080400	MOUNTING SEAT, REAR VIEW MIRROR	1	
11	9CR6-160600	HANDLEBAR SWITCH, LH	1	DAY RUNNING LIGHT
11	905B-160600-20001	HANDLEBAR SWITCH, LH	1	
11	9DR7-160600-00001	HANDLEBAR SWITCH ASSY, LH	1	
12	9AY0-200300	REAR VIEW MIRROR ASSY, RH	1	

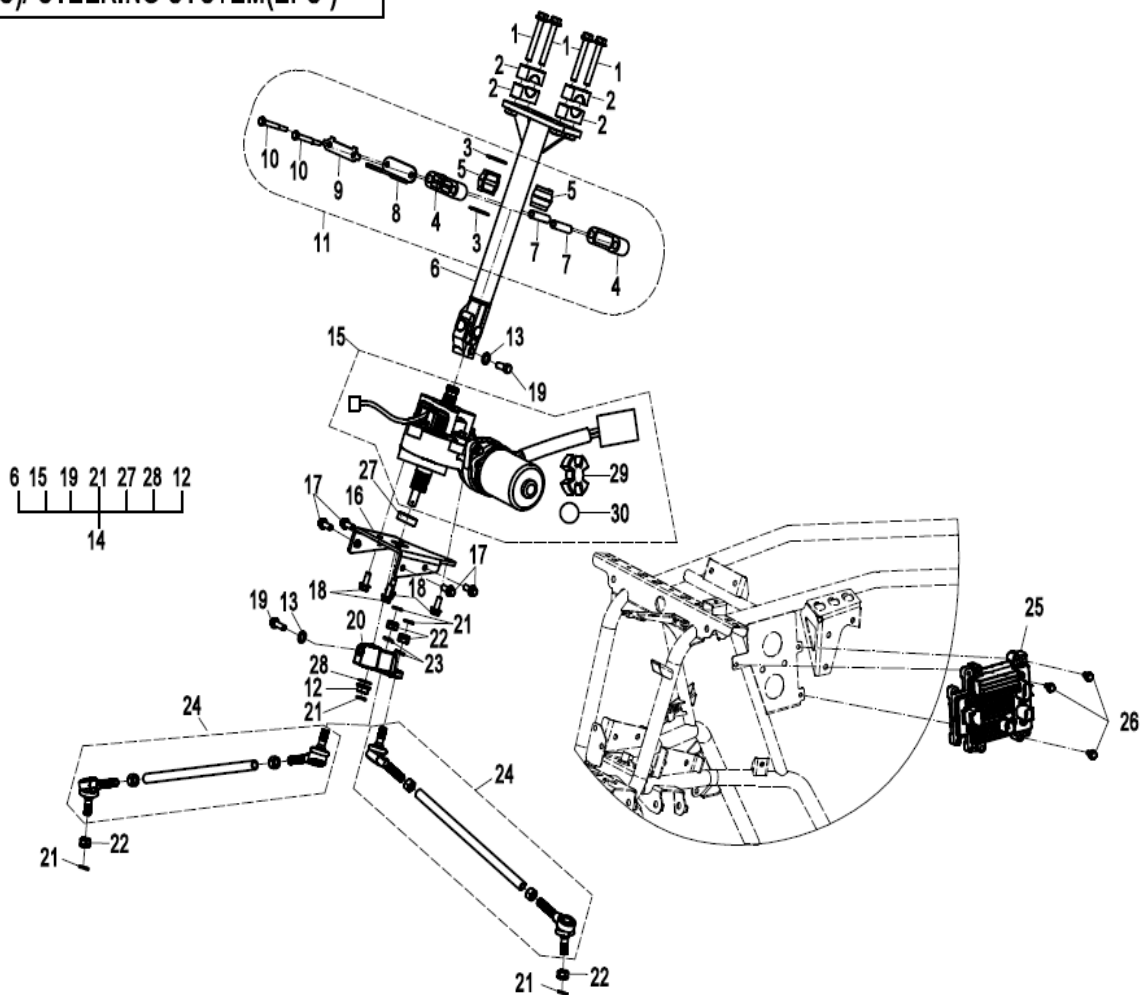
F10-2-A 转向系统STEERING SYSTEM



F10-2-A TEERING SYSTEM

Item No.	Parts Number	Parts Name(EN)	Qty	Specification
01	30006-080055810	BOLT M8x55	4	M8x55
02	9010-030006	ALUM. COVER, HANDLEBAR	4	
03	30502-032800N	O-RING	2	32x1.8
04	30003-080075810	BOLT M8x75	2	M8x75
05	9GQ0-102100	STEERING STEM ASSY	1	
06	7020-100001	BOLT M8x22	2	M8x22
07	7020-100301-10000	SEAT, STEERING SHAFT	1	
08	30204-080810	NUT M8	2	M8
09	30903-0201610	COTTER PIN	4	2.0x16
10	9010-100002	1-TYPE NUT	4	M10x1.25
11	30306-100112	WASHER	2	10
12	9GQ0-100530-10000	STEERING ROD	2	SOMIC
12	9GQ0-100530	STEERING ROD	2	CCVI
13	7020-1006A0	BUSHING, STEERING SHAFT	1	
14	7020-100603	LOCKING PIECE	1	
15	7020-100610-10000	LINKING PLATE ASSY	1	
16	7020-100604-00001	BUSHING	2	
17	7020-100601-00001	OUTER BUSHING, STEERING SHAFT SPHERICAL	2	
18	7020-100602	INNER BUSHING, STEERING SHAFT SPHERICAL	2	
19	7020-100600	BEARING, OUTER SPHERICAL	1	205

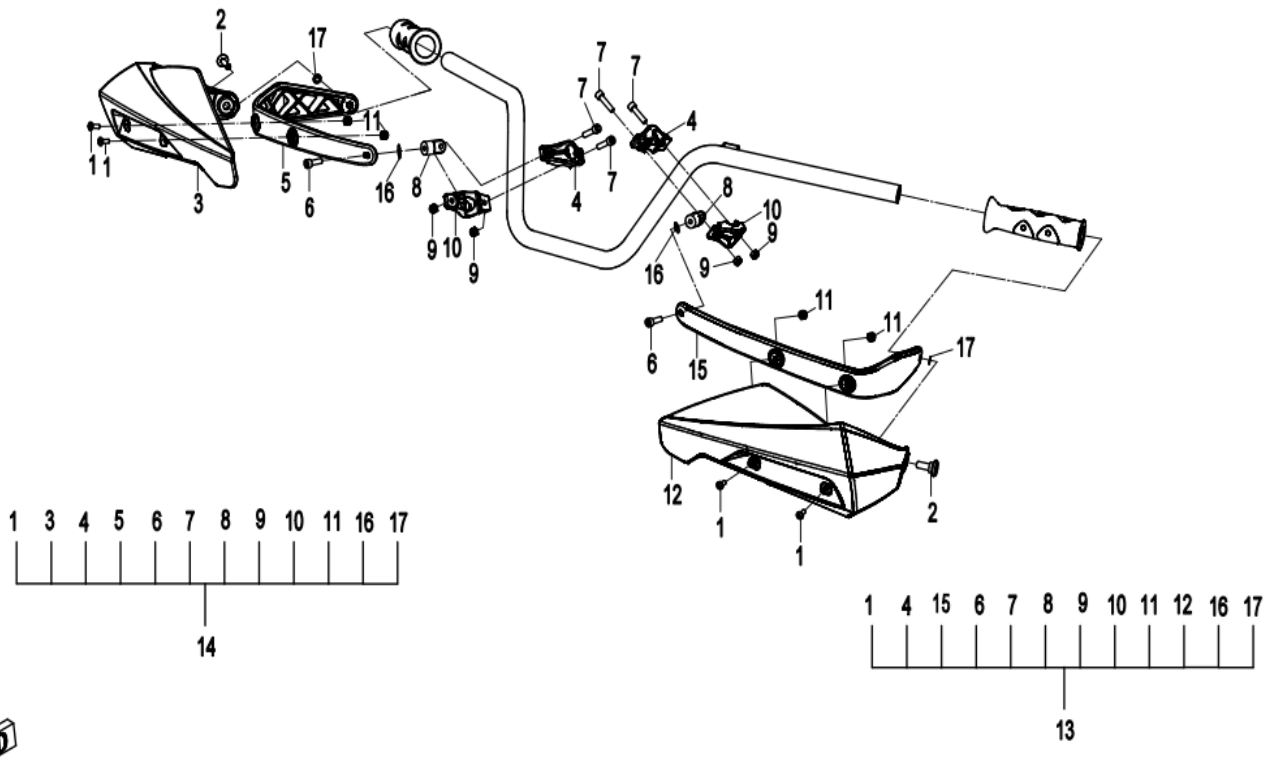
转向系统(EPS)/ STEERING SYSTEM(EPS)



F10-2-B-V3 STEERING SYSTEM(EPS)

Item No.	Parts Number	Parts Name(EN)	Qty	Specification
01	30006-080060810	BOLT M8x60	4	M8x60
02	9010-030006	ALUM. COVER, HANDLEBAR	4	
03	30502-032800N	O-RING	2	32x1.8
04	7020-100601-00001	OUTER BUSHING, STEERING SHAFT SPHERICAL	2	
05	7020-100602	INNER BUSHING, STEERING SHAFT SPHERICAL	2	
06	9GQ0-100320-10000	STEERING SHAFT, EPS	1	
07	7020-100604-00001	BUSHING	2	
08	7020-100610-10000	LINKING PLATE ASSY	1	
09	7020-100603	LOCKING PIECE	1	
10	30003-080075810	BOLT M8x75	2	M8x75
11	7020-1006A0	BUSHING, STEERING SHAFT	1	
12	30204-122810	NUT M12x1.25	1	M12x1.25
13	30303-080110	WASHER	2	8
14	9GQ0-106000-20000	STEERING SYSTEM, EPS	1	
15	9CR6-103300-30000		1	
16	9GQ0-030040-10000	EPS MOUNTING PLATE ASSY	1	
17	30006-080020810	BOLT M8x20	4	M8x20
18	30006-103020810	BOLT M10x20	4	M10x20
19	9CR6-102003	BOLT M8x35	2	M8x35
20	9GQ0-100302-20000	EPS STEERING ARM	1	
21	30903-0201610	COTTER PIN	5	2.0x16
22	9010-100002	1-TYPE NUT	4	M10x1.25
23	30306-100112	WASHER	2	10
24	9GQ0-100530-10000	STEERING ROD	2	SOMIC
24	9GQ0-100530	STEERING ROD	2	CCVI
25	9CR6-150810-10000	EPS CONTROLLER ASSY	1	
26	30006-060030810	BOLT M6x30	3	M6x30
27	9CR6-103003	SPLINE SLEEVE	1	
28	30306-120112	WASHER	1	12
29	9CR6-103301	RUBBER DAMPER	1	
30	30504-065800N	O-RING	1	

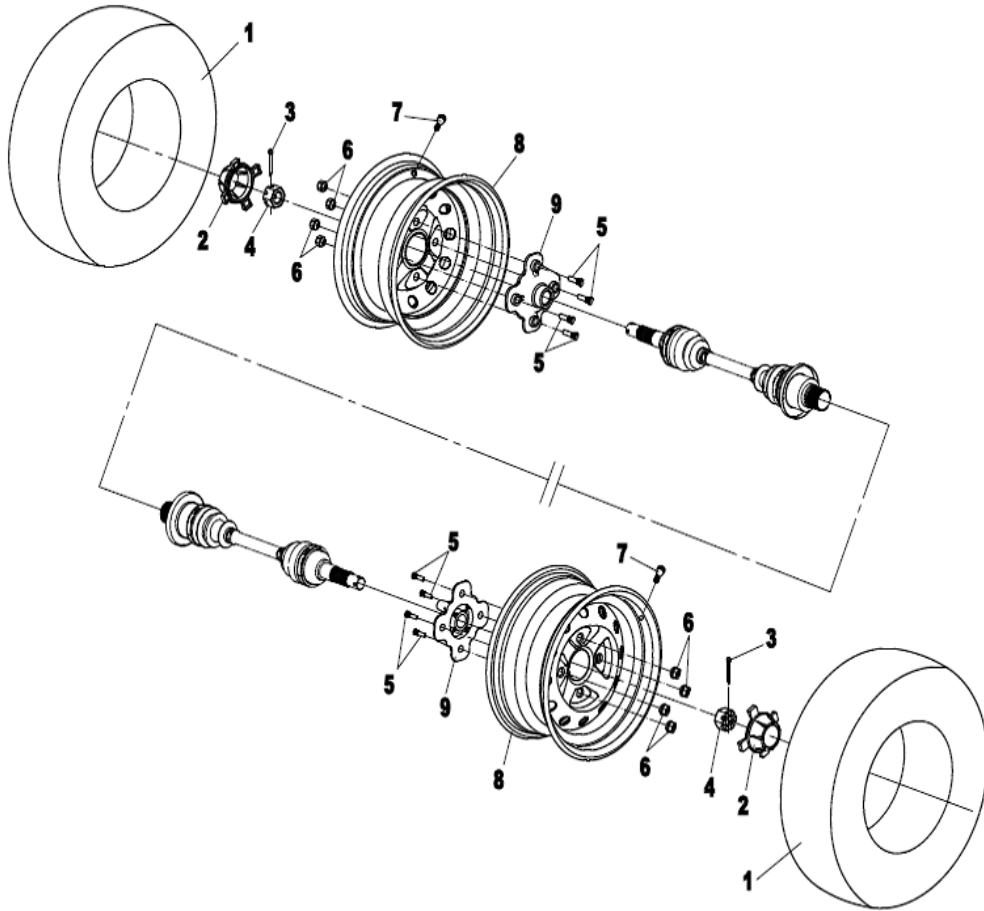
手把护罩/ HAND GUARD



F10-3-V3 HAND GUARD

Item No.	Parts Number	Parts Name(EN)	Qty	Specification
01	A010-120003	BOLT M6x16	4	M6x16
02	A000-080001	SCREW	2	
03	9CR6-101221-10000	HAND GUARD, RH	1	
04	9CR6-101202-10000	SEAT, BRACKET	2	
05	9CR6-101222-10000	HANDGUARD LEVER, RH	1	
06	A000-040703	INNER HEX SCREW	2	M6x20
07	30102-060022810	SCREW M6x22	4	M6x22
08	9CR6-101203-10000	CONNECTOR, BRACKET	2	
09	30224-060800	NUT	4	
10	9CR6-101204-10000	PRESS COVER, BRACKET	2	
11	30206-060570	NUT	4	
12	9CR6-101211-10000	HAND GUARD, LH	1	
13	9CR6-101210-20000	LH HAND GUARD ASSY	1	
14	9CR6-101220-20000	RH HAND GUARD ASSY	1	
15	9CR6-101212-20000	HANDGUARD LEVER, LH	1	
16	30305-060112	WASHER	2	6
17	30305-080112	WASHER	2	8

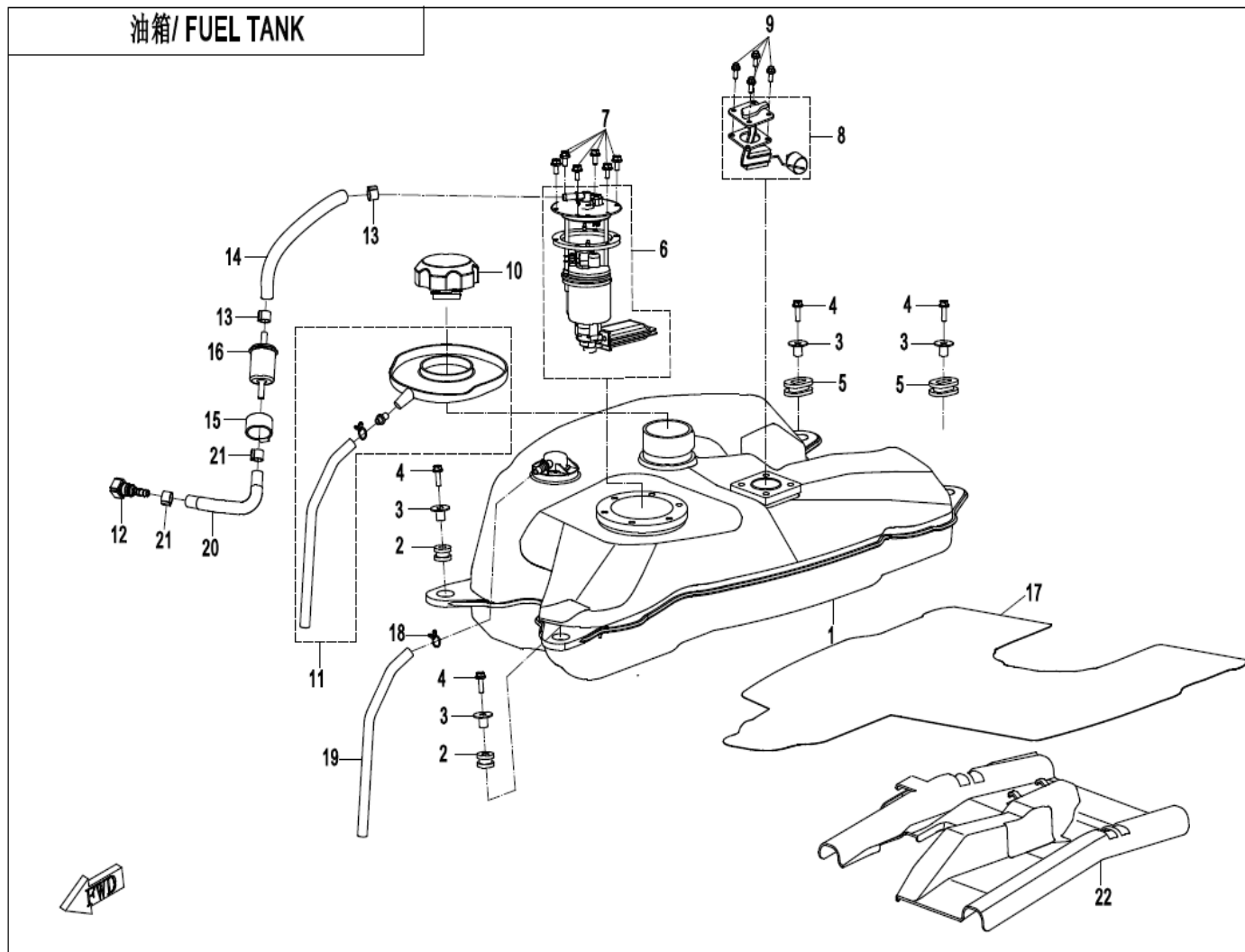
后轮 REAR WHEEL



F11-V2 REAR WHEEL

Item No.	Parts Number	Parts Name(EN)	Qty	Specification
01	30703-1242	TIRE	2	24x10-12 52J, EPA
01	30703-1213	REAR TIRE, ATV	2	25x10.0-12, INNOVA TIRE, OFF-ROAD, USA(DOT)
01	30703-1214	REAR TIRE, ATV	2	25x10.0-12, INNOVA TIRE, OFF-ROAD, EURO(E11)
01	30703-1231	REAR TIRE, ATV	2	25x10-12, MAXXIS, OFF-ROAD
02	7020-070101-1000	DECO COVER, ALUMINUM RIM	2	WITH CF LOGO
02	9010-040028-1000	DECO COVER, STEEL RIM	2	FOR 12" STEEL WHEEL
03	30903-0403610	COTTER PIN	2	40x36
04	5HY0-110001	HEX FLANGE NUT	2	
05	9010-070201	BOLT, FRONT WHEEL BRACKET	8	
06	9010-070002-A000	MOUNTING NUT, RIM	8	CHROME PLATED
06	9010-070002	MOUNTING NUT, RIM	8	ARMY GREEN
07	5190-070030-1000	VALVE, INFLATION	2	
08	9030-110100-20000	REAR RIM	2	CHIPING;MATTE BLACK;12"
08	9010-110100-20000	REAR RIM	2	12 IN, ALUM. RIM, SUPPLIERS:Chiping xinf
08	9010-110100-2B200	REAR RIM	2	12 IN, ALUM RIM, MATTE BLACK, ONLY FOR GOES, SUPPLIERS:Chiping xinf
08	7020-110100-1B000	REAR RIM	2	12 IN, STEEL RIM, BLACK
09	9010-110001-1000	MOUNTING BRACKET, REAR WHEEL	2	EXTENDED SPLINE

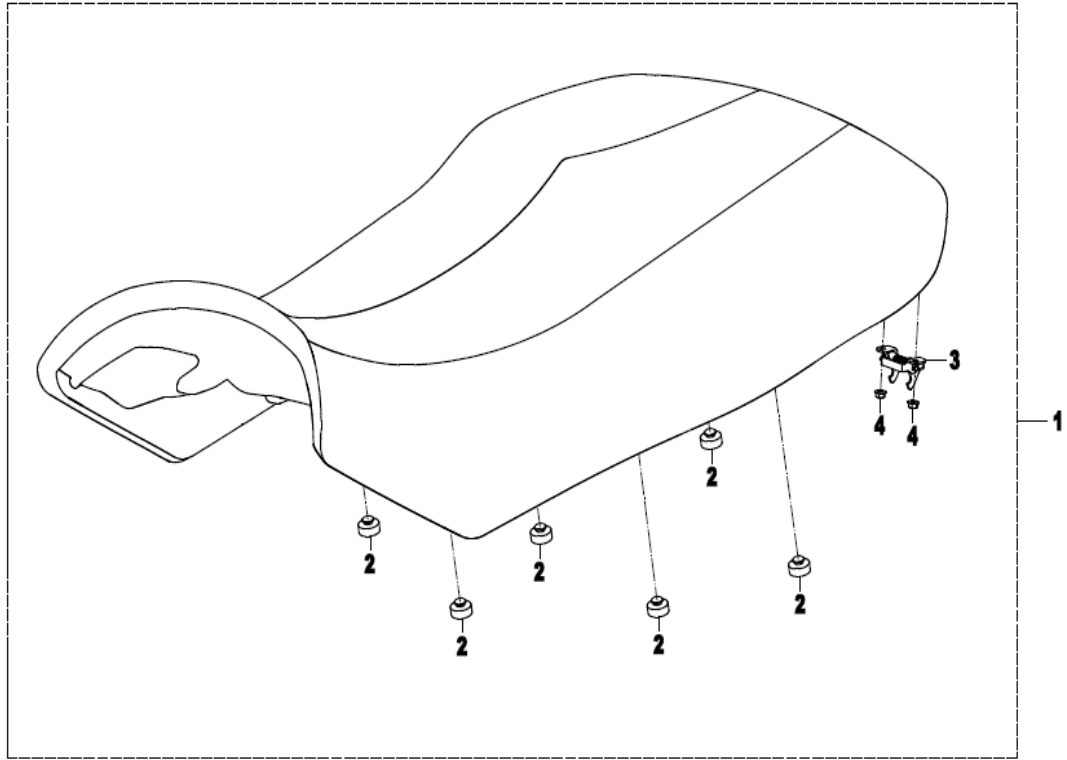
油箱/ FUEL TANK



F12-V2 FUEL TANK

Item No.	Parts Number	Parts Name(EN)	Qty	Specification
01	9GQ0-120100-30000	FUEL TANK, PLASTIC	1	
02	9010-120007	REAR CUSHION SLEEVE, FUEL TANK	2	
03	9010-120310	RUBBER LINER, FUEL TANK	4	
04	30006-060030810	BOLT M6x30	4	M6x30
05	9010-120006	FRONT RUBBER SLEEVE, FUEL TANK	2	
06	901F-150900-10000	FUEL PUMP	1	
07	30006-050014810	BOLT M5x14	6	M5x14
08	9GQ0-170200	FUEL LEVEL SENSOR	1	
09	30006-060010810	BOLT M6x10	4	GB5789 M6x10 TRIVALENT CHROMIUM 8.8
10	9CR6-120300	CAP, FUEL TANK	1	
11	9GQ0-120300	FUEL PAN	1	
12	6KJ0-120330-10000	QUICK JOINT	1	
13	6070-120400	CLAMP Dia 14.5A	2	Dia14.5
14	7020-120230-1000	HIGH-PRESSURE FUEL HOSE ASSY 3	1	
15	6090-120221	RUBBER SLEEVE, FUEL FILTER, EFI	1	
16	805A-120004	FUEL FILTER, EFI	1	
17	9GQ0-120010	HEAT INSULATOR, FUEL TANK	1	
18	30601-113010	CLAMP A13	1	A13
19	9CR6-120001	BREATHER HOSE, FUEL TANK	1	
20	9GQ#-120230-1000	HIGH-PRESSURE FUEL HOSE ASSY 3	1	
21	7020-120006	CLAMP Dia 16.6	2	
22	9GQ0-044011-20000	LOWER PANEL, FUEL TANK	1	

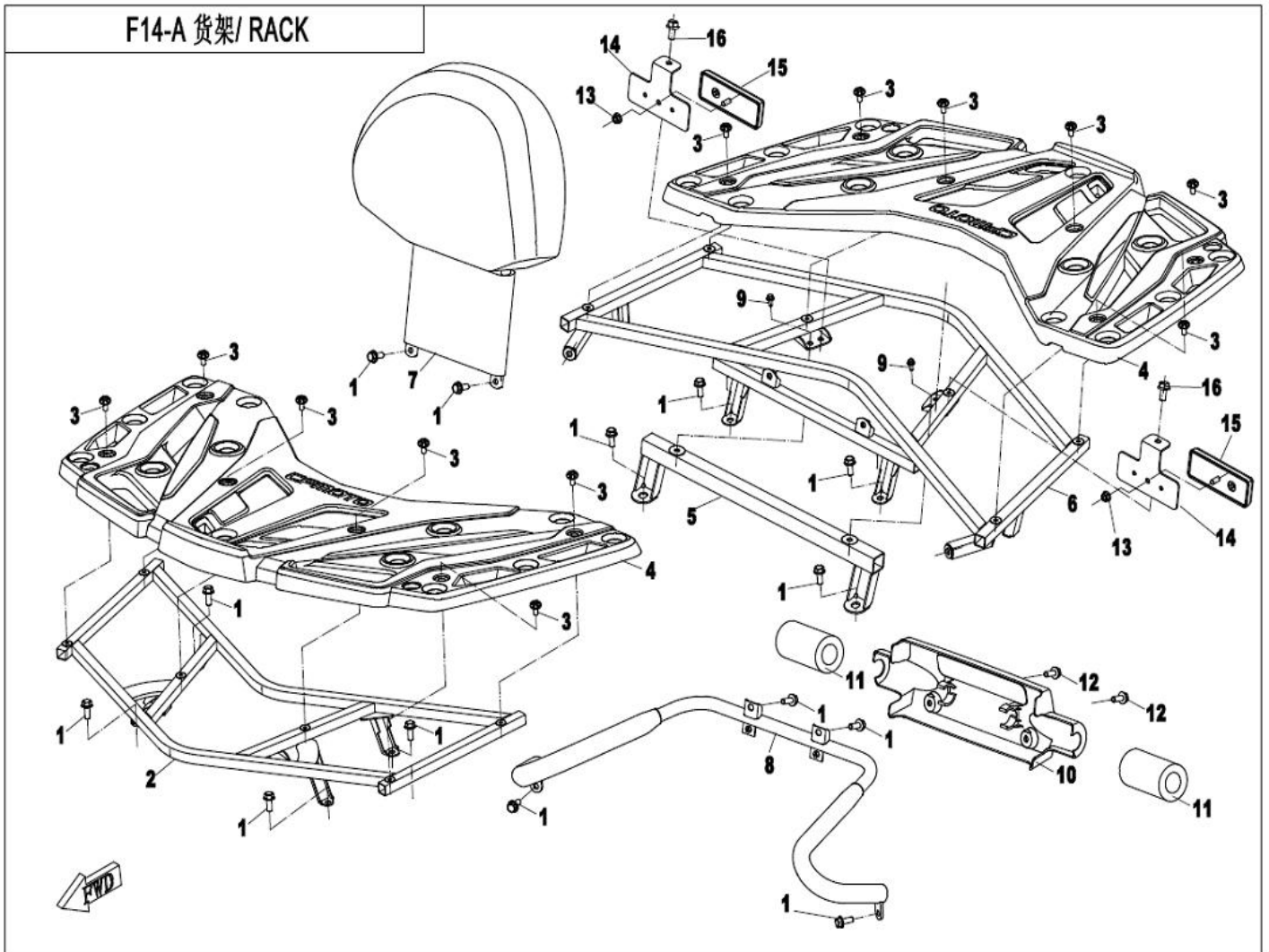
F13 座墊 SEAT



F13 座墊 SEAT

Item No.	Parts Number	Parts Name(EN)	Qty	Specification
01	9QL-130000	SEAT ASSY	1	
02	8030-130211	CUSHION RUBBER WAHSER	6	
03	9010-130110	HOOK, FRONT SEAT	1	
04	30204-060810	NUT M6	2	M6

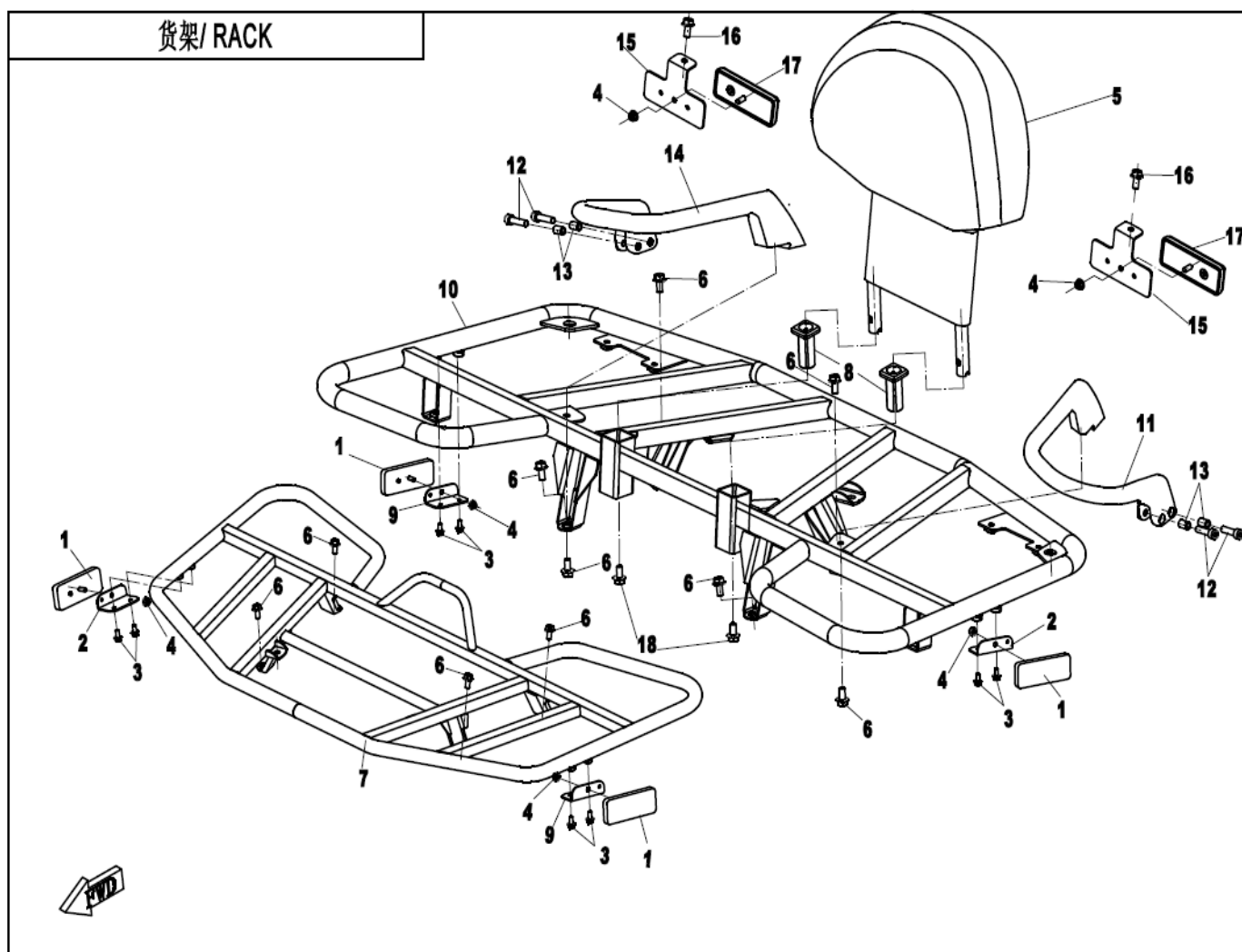
F14-A 货架/ RACK



F14-A RACK (PLASTIC)

Item No.	Parts Number	Parts Name(EN)	Qty	Specification
01	30006-080016810	BOLT M8x16	14	M8x16
02	9GQ0-140100-20000	FRONT RACK ASSY	1	
03	8030-040020	SCREW, SPEAKER COVER	12	
04	9CR6-140001	COVER, RACK	2	
05	9GQ0-140220-10000	CPNNECTING BRACKET	1	
06	9GQ0-140200-20000	REAR RACK ASSY	1	
07	9CR6-140300	BACKREST ASSY	1	
08	9CR6-140400	ARMREST ASSY	1	
09	30006-080020810	BOLT M8x20	4	M8x20
10	9CR6-044061	DECO CAP, BACKREST	1	
11	9CR6-044062	SLEEVE, ARMREST	2	
12	30006-060016810	BOLT M6x16	2	M6x16
13	30202-050110	NUT M5	2	M5
14	9GQ0-030001	BRACKET, REAR REFLECTOR	2	
15	5190-160230	REAR REFLECTOR	2	RECTANGLE, RED
16	30006-060012810	BOLT M6x12	2	M6x12

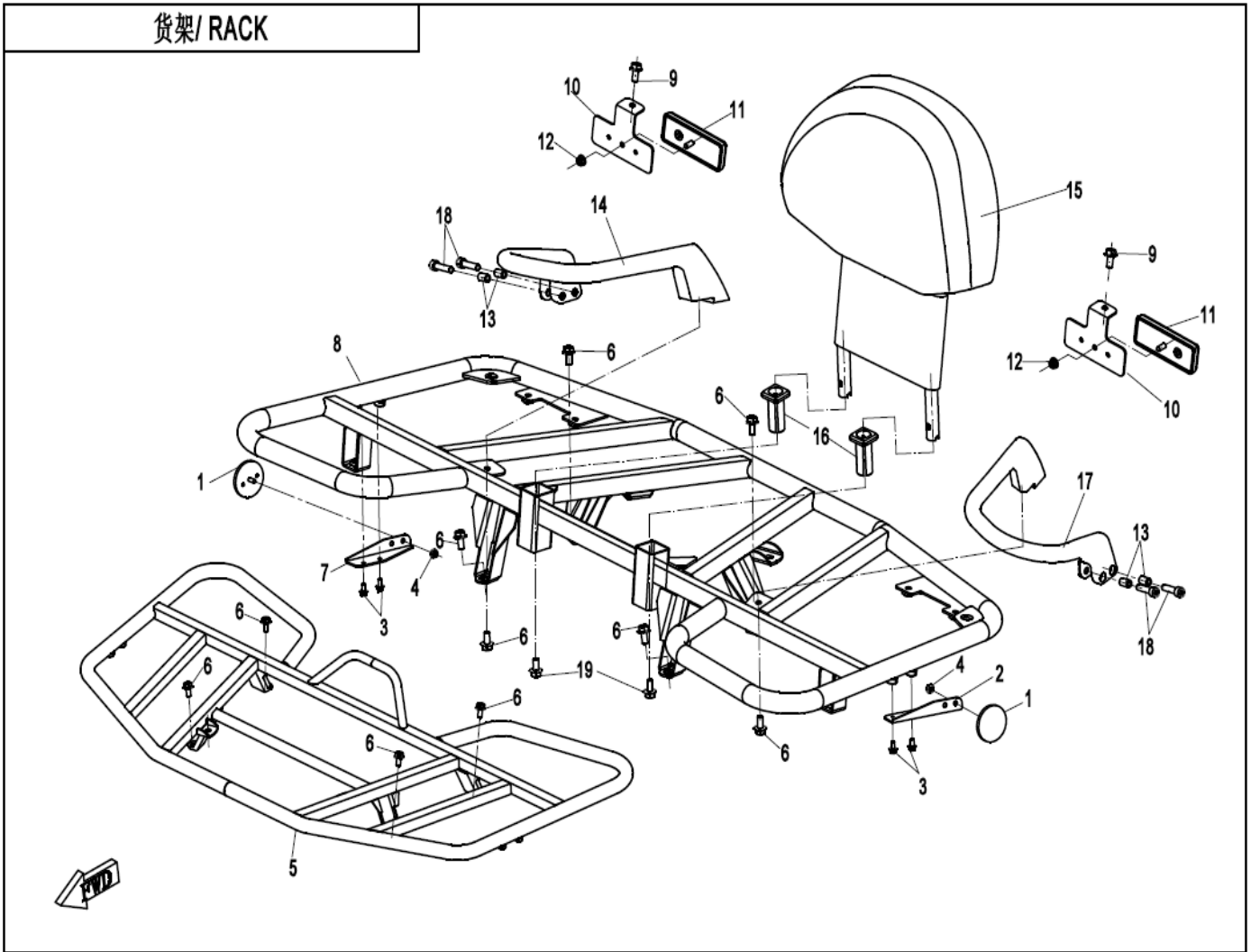
货架/RACK



F14-B-V2 RACK (STEEL)

Item No.	Parts Number	Parts Name(EN)	Qty	Specification
01	5HYV-160920-2501-M1	FRONT SIDE REFLECTOR	4	
02	9050-160501	LH BRACKET, SIDE REFLECTOR	2	
03	30006-050012810	BOLT M5x12	8	M5x12
04	30202-050110	NUT M5	6	M5
05	9CR6-141300-10000	BACKREST ASSY	1	
06	30006-080016810	BOLT M8x16	10	M8x16
07	9GQ0-141000	FRONT RACK ASSY	1	
08	9CR6-141001	SLEEVE, BACKREST	2	
09	9050-160502	RH BRACKET, SIDE REFLECTOR	2	
10	9GQL-142000-30000	REAR RACK	1	
11	4020-140600-10000	ARMREST, LH	1	
12	30102-080035810	SCREW M8x35	4	M8x35
13	9010-040808-10000	BUSHING	4	
14	4020-140700-10000	ARMREST, RH	1	
15	9GQ0-030001	BRACKET, REAR REFLECTOR	2	
16	30006-060012810	BOLT M6x12	2	M6x12
17	5190-160230	REAR REFLECTOR	2	RECTANGLE, RED
18	30006-060016810	BOLT M6x16	2	M6x16

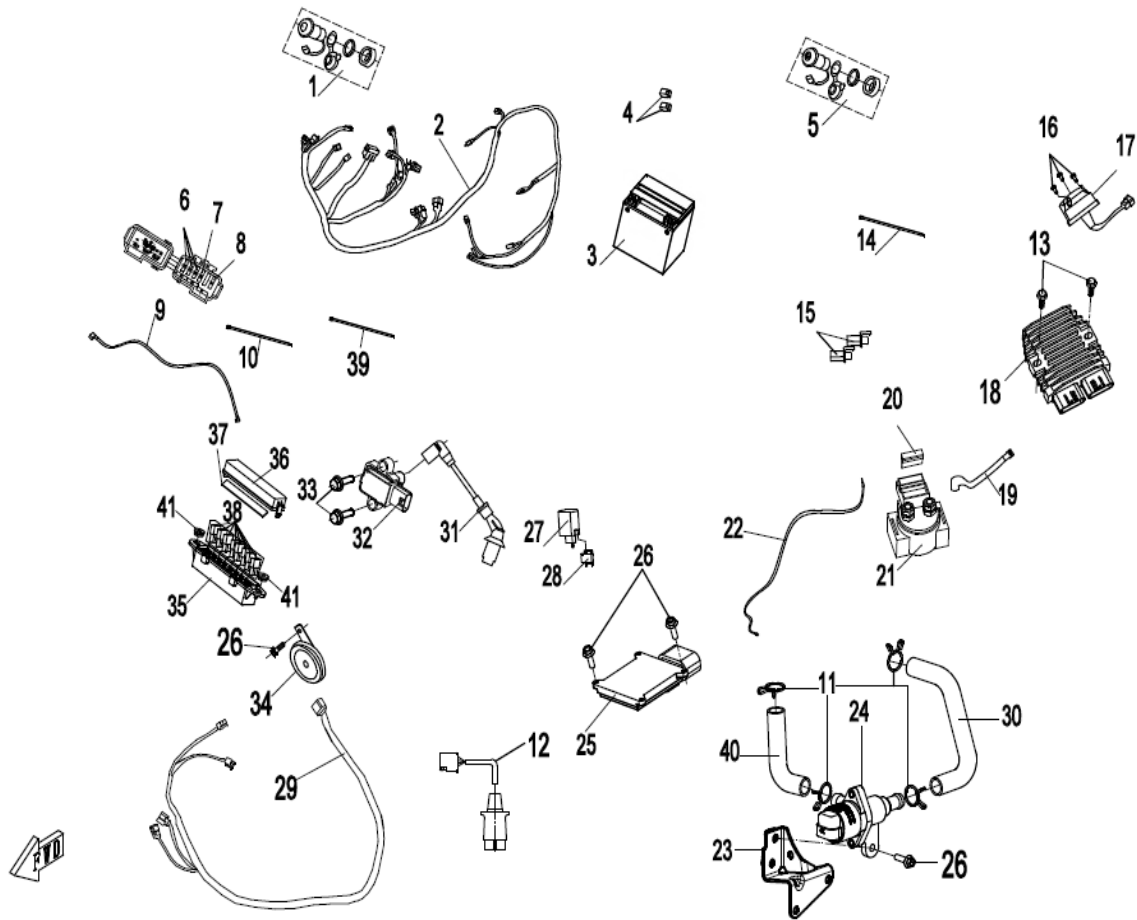
货架/ RACK



F14-C RACK (STEEL,CANADA)

Item No.	Parts Number	Parts Name(EN)	Qty	Specification
01	9GQV-160930-1401-M1	REAR SIDE REFLECTOR	2	
02	9GQ0-143101	BRACKET, LH REAR REFLECTOR	1	
03	30006-050012810	BOLT M5x12	4	M5x12
04	30202-060110	NUT M6	2	M6
05	9GQ0-141000	FRONT RACK ASSY	1	
06	30006-080016810	BOLT M8x16	10	M8x16
07	9GQ0-143201	BRACKET, RH REAR REFLECTOR	1	
08	9GQL-142000-30000	REAR RACK	1	
09	30006-060012810	BOLT M6x12	2	M6x12
10	9GQ0-030001	BRACKET, REAR REFLECTOR	2	
11	9GQV-160910-2401-M1	REAR REFLECTOR	2	
12	30202-050110	NUT M5	2	M5
13	9010-040808-10000	BUSHING	4	
14	4020-140700-10000	ARMREST, RH	1	
15	9CR6-141300-10000	BACKREST ASSY	1	
16	9CR6-141001	SLEEVE, BACKREST	2	
17	4020-140600-10000	ARMREST, LH	1	
18	30102-080035810	SCREW M8x35	4	M8x35
19	30006-060016810	BOLT M6x16	2	M6x16

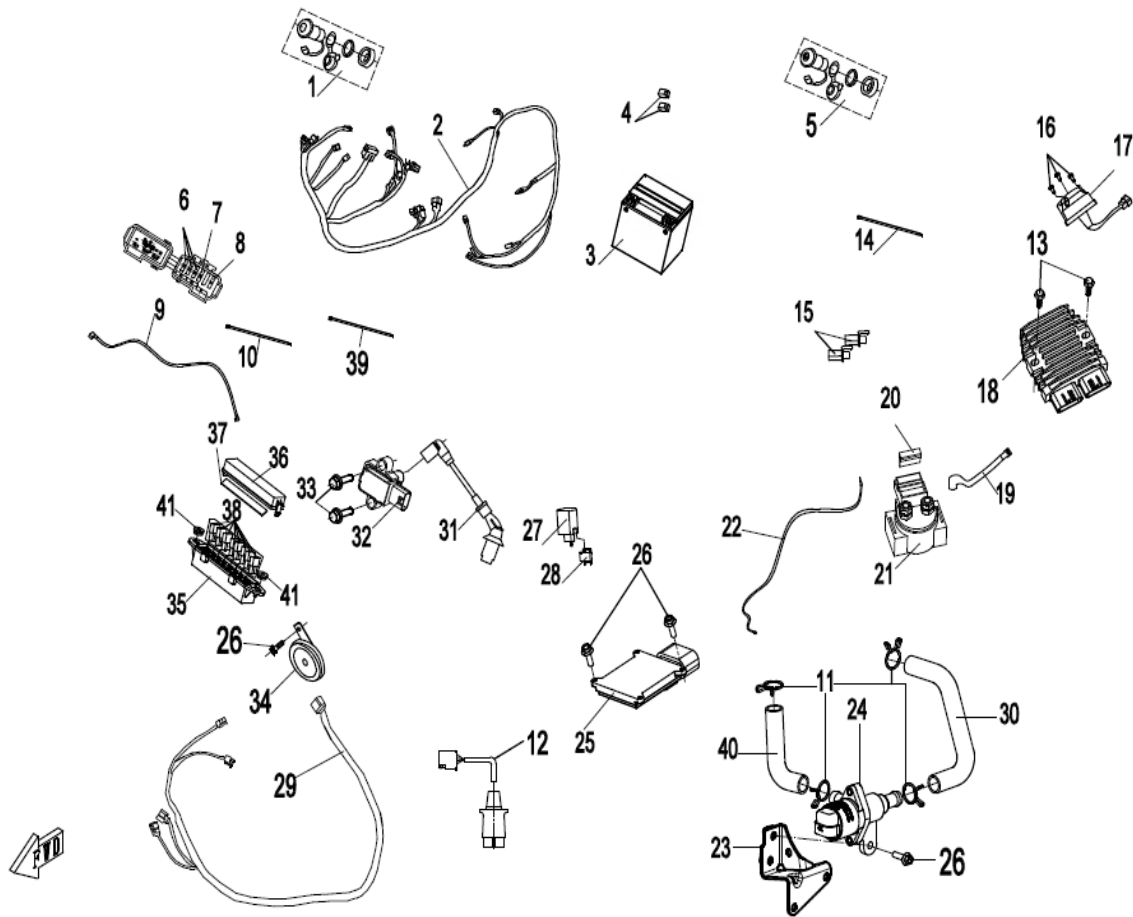
电器系统/ ELECTRIC SYSTEM



F15-1-A-V3 ELECTRIC SYSTEM

Item No.	Parts Number	Parts Name(EN)	Qty	Specification
01	9GQ0-150500-10000	OUTPUT SEAT,POWER	1	
02	9CR7-150100-30001	MAIN CABLE	1	
02	9CR7-150100-40000	MAIN CABLE	1	
03	31023004	BATTERY	1	DYNAVOLT,12V30Ah
04	905B-150103	PLUG, PDA	2	
05	9GQ0-150600-10000	OUTPUT SEAT, USB	1	
06	806A-151303	FUSE	4	15A
07	806A-151302	FUSE 10A	1	10A
08	8080-151301	FUSE 5A	1	5A
09	9GQL-150230-10000	NEGATIVE WIRE,BATTERY	1	
10	8010-150003	TIE BAND	12	5x250
11	30601-118010	CLAMP A18	4	
12	9010-151020	ADAPTOR SEAT, TRAILER POWER	1	
13	30006-060030810	BOLT M6x30	2	M6x30
14	9010-150004	TIE BAND	6	
15	6090-150500	DIODE, STARTER	2	
16	30105-050030410	SCREW M5x30	3	M5x30
17	7020-150800	POWER SOCKET, TRAILER	1	ORDINARY
17	9010-151010-1000	POWER SOCKET, TRAILER	1	LOF
18	01AA-177000	REGULATOR	1	330W
18	0800-177000-10000	REGULATOR	1	HIGH POWER, CHINESE
19	9GQL-150210-10000	POSITIVE WIRE,BATTERY	1	
20	7020-150111	CHIP-TYPE FUSE 30A	1	30A
21	9CR6-150310	STARTER RELAY	1	
22	9GQ0-150220	CABLE, STARTING MOTOR	1	
23	9GQA-030010-20000	BRACKET, STEPPER MOTOR	1	
24	0GQ0-175000	STEPPER MOTOR	1	
25	0GQ0-174000-90000	ECU ASSY	1	
25	9GQ#-001000-1500	ECU ASSY	1	
26	30006-060016810	BOLT M6x16	4	M6x16
27	8010-151000	FLASHER	1	
28	8010-150002	CUSHION WASHER, FLASHER	1	
29	9GQ0-150120	ADAPTOR CABLE, FOG LIGHT	1	LINK CABLE, FOG LIGHT
30	9GQA-001001	INLET PIPE, STEPPER MOTOR SEAT	1	
31	0GRB-178000	HIGH-TENSION CABLE	1	
32	018B-178000	IGNITION COIL	1	
33	30006-060025810	BOLT M6x25	2	M6x25
34	5020-150700	ELECTRIC HORN	1	
35	7020-040411	RELAY BOX	1	
36	7020-040412-10000	COVER,RELAY BOX	1	
37	7020-040414	RUBBER WASHER, RELAY BOX COVER	1	
38	9010-150350	AUXILIARY RELAY	9	
39	0000-000014	TIE BAND	9	
40	9GQA-001002	EXHAUST PIPE, STEPPER MOTOR SEAT	1	
41	0180-015003	RUBBER SLEEVE	2	

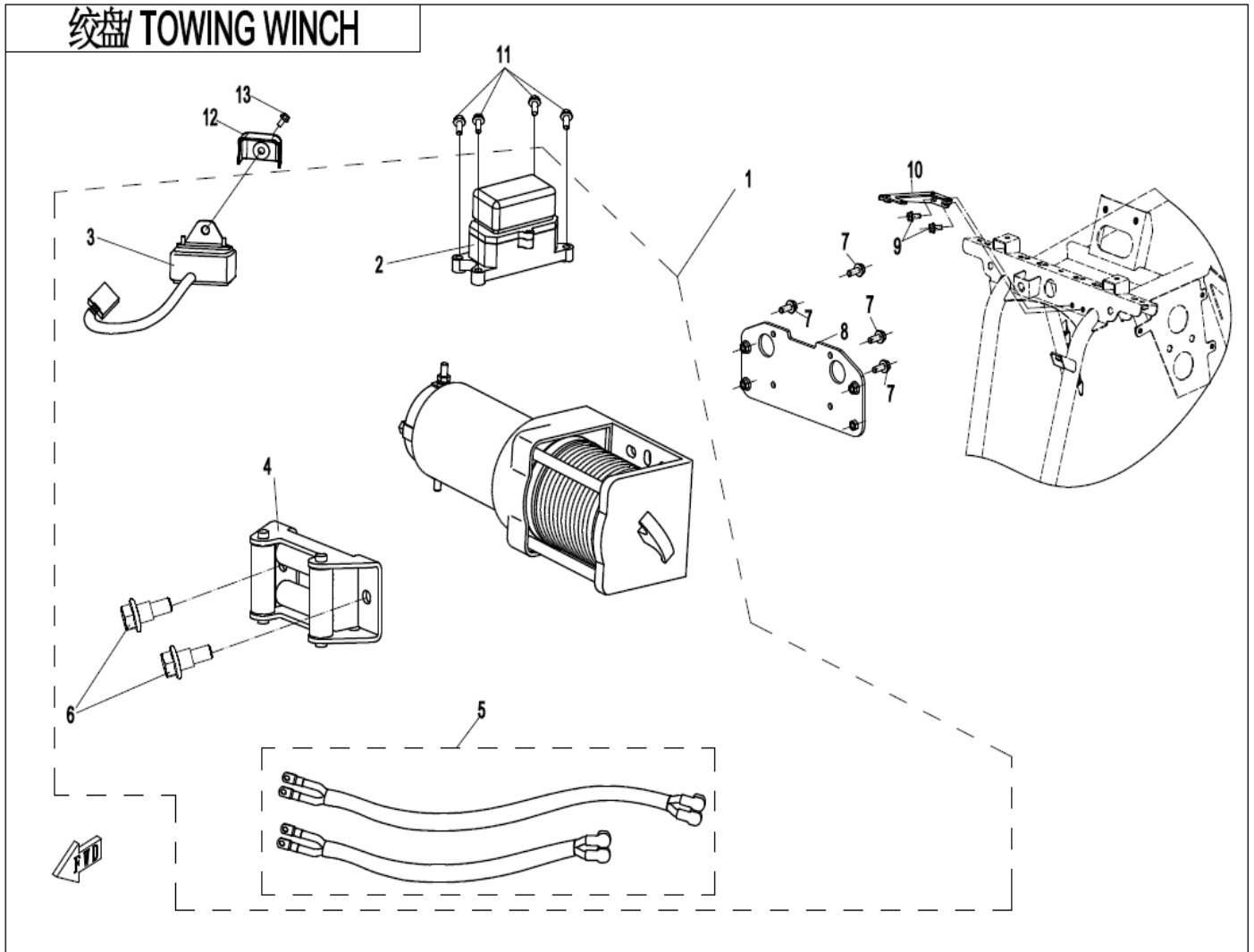
电器系统/ ELECTRIC SYSTEM



F15-1-B ELECTRIC SYSTEM(FOR BRAZIL ONLY)

Item No.	Parts Number	Parts Name(EN)	Qty	Specification
01	9GQ0-150500-10000	OUTPUT SEAT,POWER	1	
02	9CR7-150100-20001	MAIN CABLE	1	
02	9CR7-150100-20002	MAIN CABLE	1	
03	31023004	BATTERY	1	DYNAVOLT,12V30Ah
04	905B-150103	PLUG, PDA	2	
05	9GQ0-150600-10000	OUTPUT SEAT, USB	1	
06	806A-151303	FUSE	4	15A
07	806A-151302	FUSE 10A	1	10A
08	8080-151301	FUSE 5A	1	5A
09	9GQL-150230-10000	NEGATIVE WIRE,BATTERY	1	
10	8010-150003	TIE BAND	12	5x250
11	30601-118010	CLAMP A18	4	
12	9010-151020	ADAPTOR SEAT, TRAILER POWER	1	
13	30006-060030810	BOLT M6x30	2	M6x30
14	9010-150004	TIE BAND	6	
15	6090-150500	DIODE, STARTER	2	
16	30105-050030410	SCREW M5x30	3	M5x30
17	7020-150800	POWER SOCKET, TRAILER	1	ORDINARY
17	9010-151010-1000	POWER SOCKET, TRAILER	1	LOF
18	01AA-177000	REGULATOR	1	330W
18	0800-177000-10000	REGULATOR	1	HIGH POWER, CHINESE
19	9GQL-150210-10000	POSITIVE WIRE,BATTERY	1	
20	7020-150111	CHIP-TYPE FUSE 30A	1	30A
21	9CR6-150310	STARTER RELAY	1	
22	9GQ0-150220	CABLE, STARTING MOTOR	1	
23	9GQA-030010-20000	BRACKET, STEPPER MOTOR	1	
24	0GQ0-175000	STEPPER MOTOR	1	
25	0GQ0-174000-A0000	ECU ASSY	1	
26	30006-060016810	BOLT M6x16	4	M6x16
27	8010-151000	FLASHER	1	
28	8010-150002	CUSHION WASHER, FLASHER	1	
29	9GQ0-150120	ADAPTOR CABLE, FOG LIGHT	1	LINK CABLE, FOG LIGHT
30	9GQA-001001	INLET PIPE, STEPPER MOTOR SEAT	1	
31	0GRB-178000	HIGH-TENSION CABLE	1	
32	018B-178000	IGNITION COIL	1	
33	30006-060022810	BOLT M6x22	2	M6x22
34	5020-150700	ELECTRIC HORN	1	
35	7020-040411	RELAY BOX	1	
36	7020-040412-10000	COVER,RELAY BOX	1	
37	7020-040414	RUBBER WASHER, RELAY BOX COVER	1	
38	9010-150350	AUXILIARY RELAY	9	
39	0000-000014	TIE BAND	9	
40	9GQA-001002	EXHAUST PIPE, STEPPER MOTOR SEAT	1	
41	0180-015003	RUBBER SLEEVE	2	

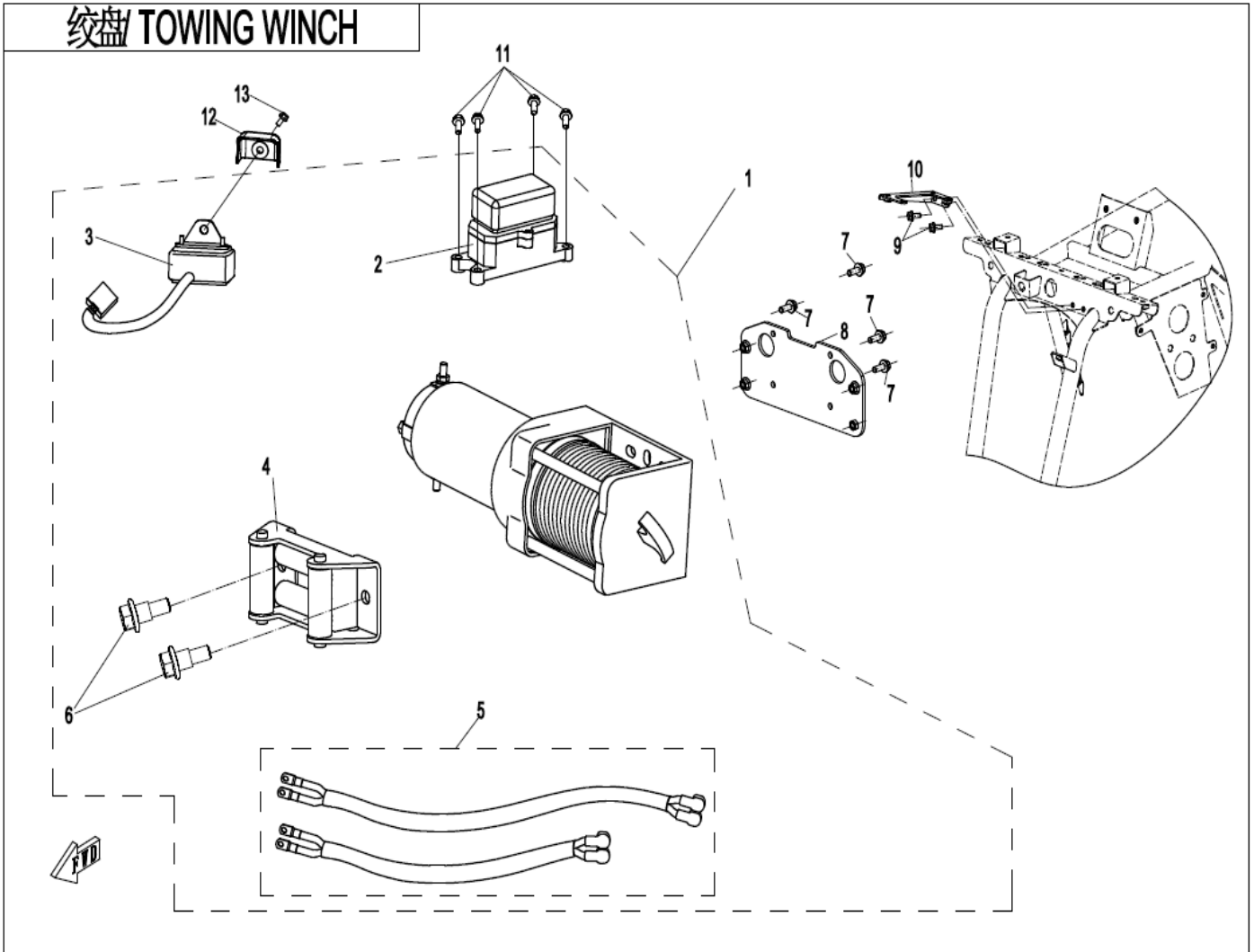
绞盘 TOWING WINCH



F15-2-A-V2 TOWING WINCH(LIANDA)

Item No.	Parts Number	Parts Name(EN)	Qty	Specification
01	9GQL-150700-10001	WINCH ASSY.	1	2500lbs
02	9010-150720-4000	CONTROL RELAY	1	LIANDA
03	7020-150710	SWITCH, WINCH	1	
04	9030-150730	CABLE PULLEY	1	
05	9GQL-150730-00001	WINCH CABLE	1	
06	30004-100025810	BOLT M10x25	2	M10x25
07	30006-080020810	BOLT M8x20	4	M8x20
08	9GQ0-030090	INSTALLING BRACKET, WINCH	1	
09	30006-060012810	BOLT M6x12	2	M6x12
10	9GQ0-030020	BRACKET, WINCH RELAY	1	
11	30006-060025810	BOLT M6x25	4	M6x25
12	9CR6-101002	DECO COVER, WINCH SWITCH	1	
13	6KM#-040702-8000	INNER HEX SCREW M6x12	1	

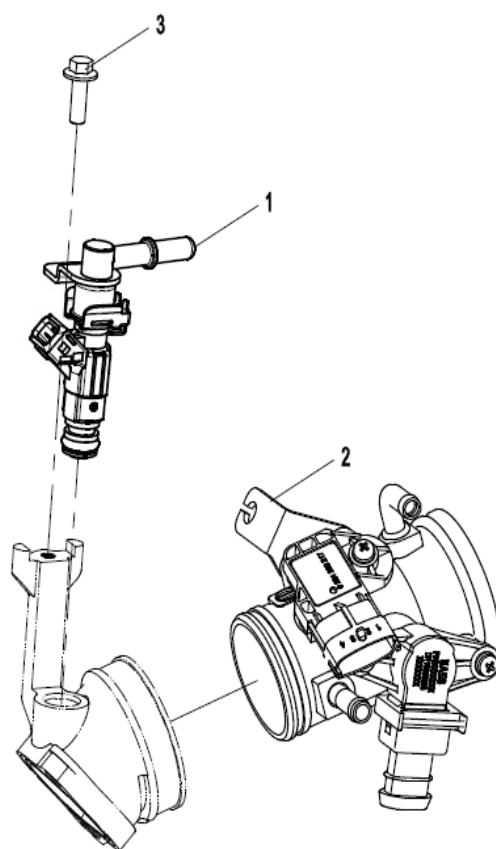
绞盘 TOWING WINCH



F15-2-B TOWING WINCH(NOVA)

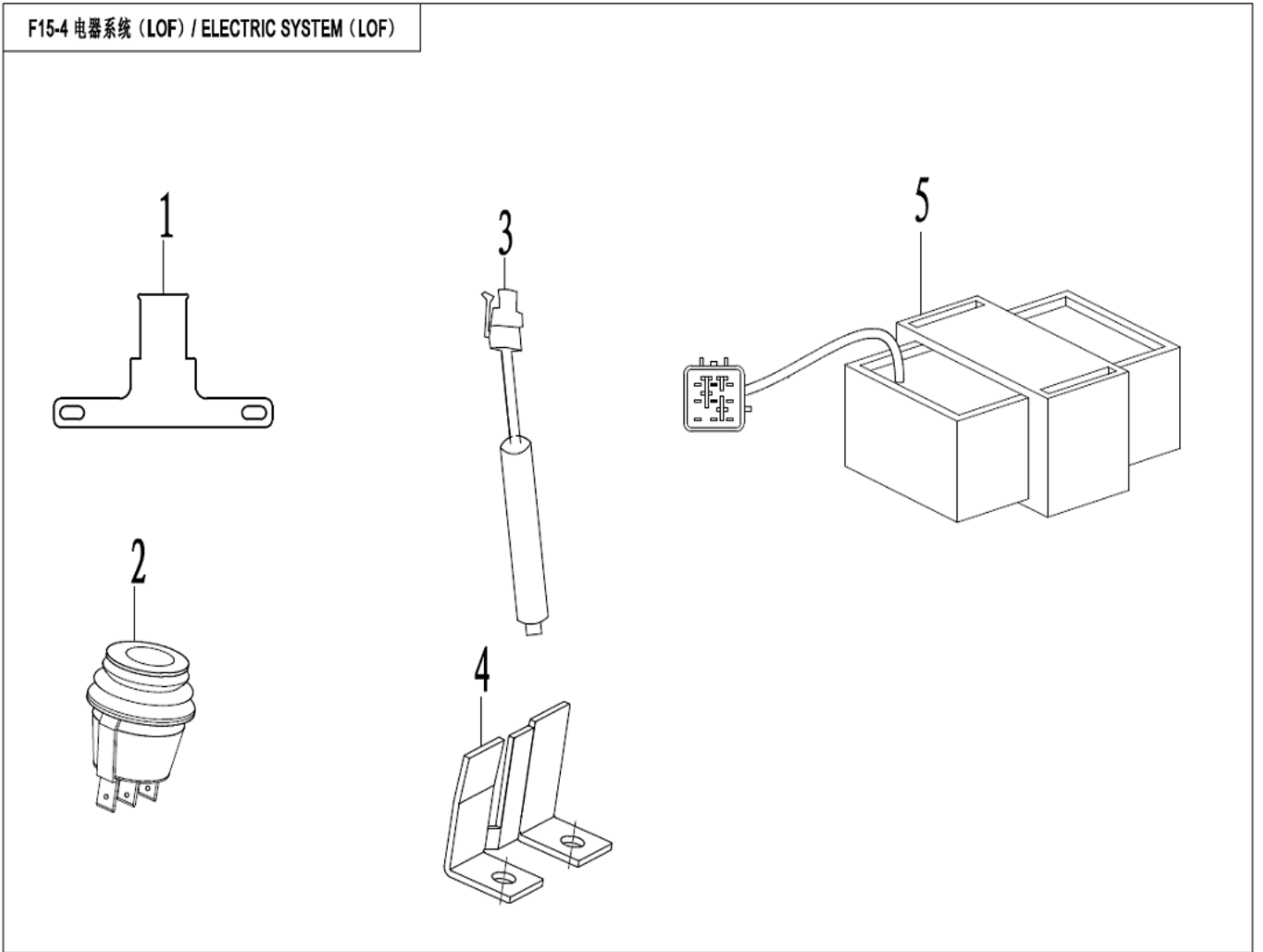
Item No.	Parts Number	Parts Name(EN)	Qty	Specification
01	9GQL-150700-10001	WINCH ASSY.	1	2500Lbs
02	9010-150720-80000	CONTROL RELAY	1	
03	7020-150710-30000	WINCH CONTROL SWITCH	1	
04	9030-150730-20000	CABLE PULLEY	1	
05	9GQL-150730-10001	WINCH CABLE	1	
06	30004-100025810	BOLT M10x25	2	M10x25
07	30006-080020810	BOLT M8x20	4	M8x20
08	9GQ0-030090	INSTALLING BRACKET, WINCH	1	
09	30006-060012810	BOLT M6x12	2	M6x12
10	9GQ0-030020	BRACKET, WINCH RELAY	1	
11	30006-060025810	BOLT M6x25	4	M6x25
12	9CR6-101002	DECO COVER, WINCH SWITCH	1	
13	A000-040702	INNER HEX SCREW M6x12	1	M6x12

喷油系统/ FUEL INJECTION SYSTEM



F15-3-V2 FUEL INJECTION SYSTEM

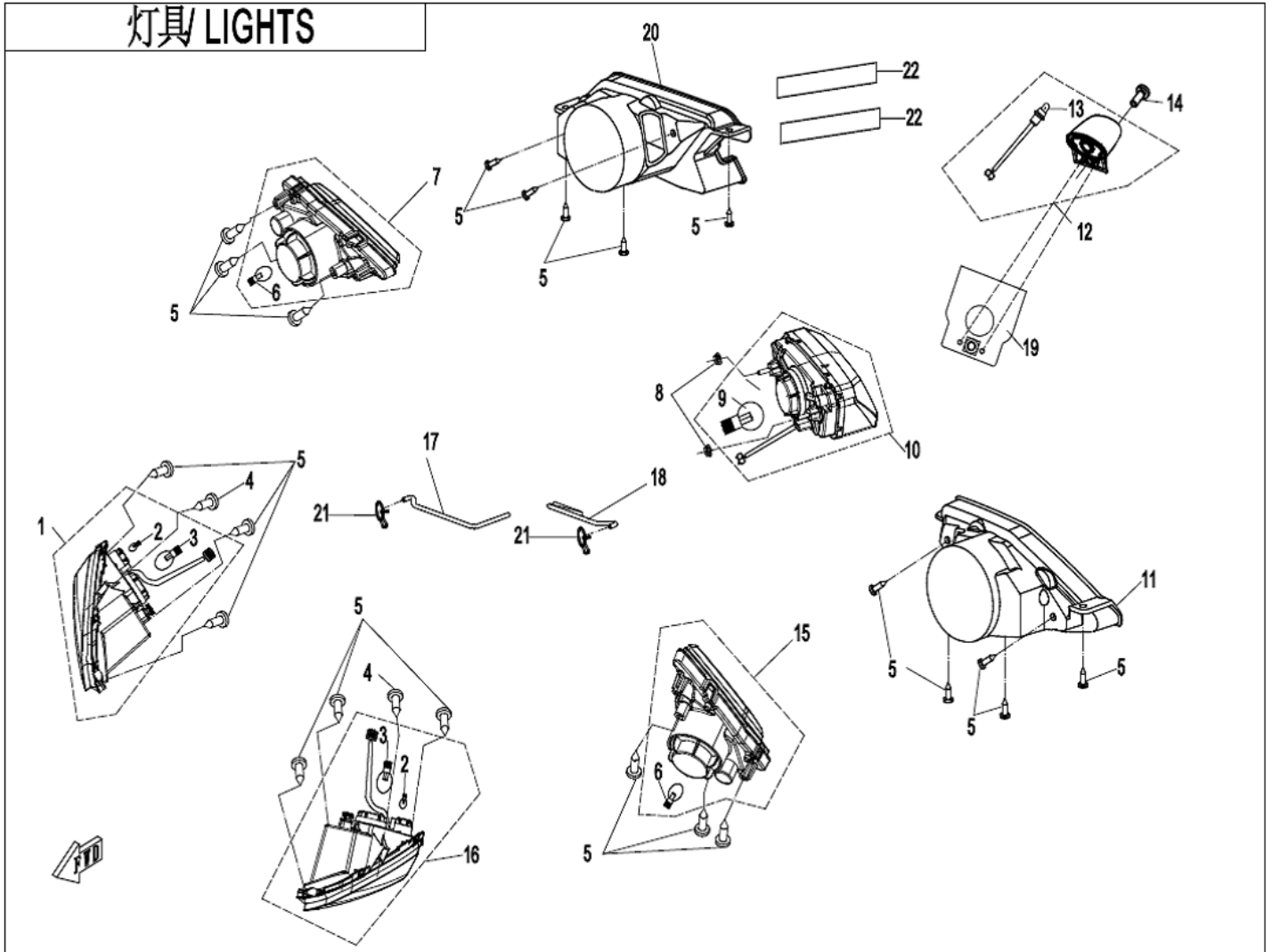
Item No.	Parts Number	Parts Name(EN)	Qty	Specification
01	OGQ0-172000-10000	FUEL RAIL ASSY	1	
01	OGQ#-172000-1100	FUEL PIPE ASSY	1	
02	OGQ0-173000	THROTTLE BODY	1	LIMITED POWER
02	OGQ0-173000-10000	THROTTLE BODY	1	FULL POWER
03	0110-090008-0030	BOLT M6x14	1	M6x14



F15-4 ELECTRIC SYSTEM (LOF)

Item No.	Parts Number	Parts Name(EN)	Qty	Specification
01	9010-030013	BRACKET, FLASHER MODULE	1	
02	9030-160810	SWITCH ASSY, FOG LIGHT	1	
03	4020-160603	INDICATOR	1	
04	7030-160001	BRACKET, FUSE BOX	1	
05	7030-160602	CONTROL UNIT, TRAILER TURN LIGHT	1	

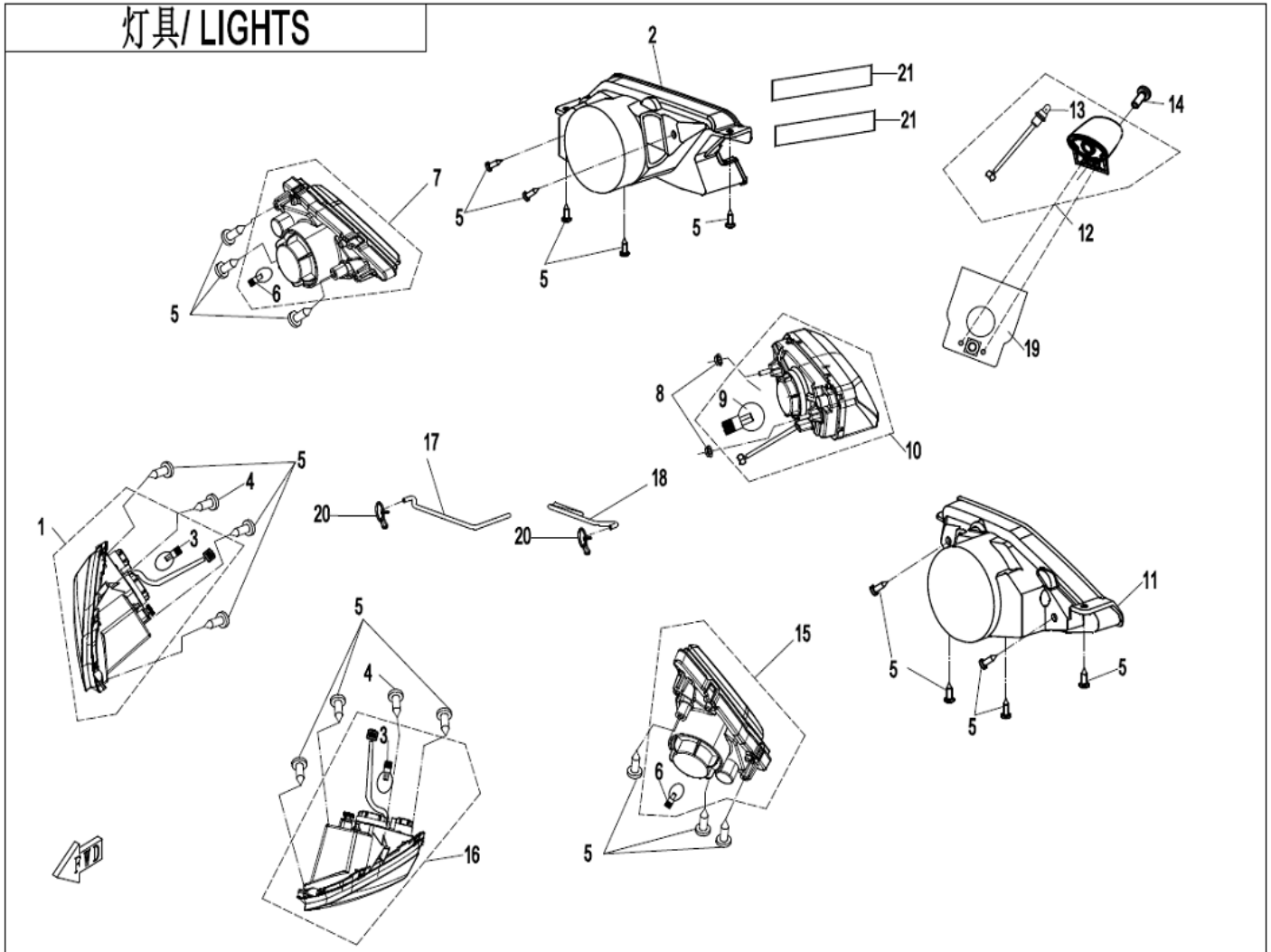
灯具 LIGHTS



F16-A LIGHTS

Item No.	Parts Number	Parts Name(EN)	Qty	Specification
01	9GQ0-160200-00001	RH HEADLIGHT ASSY	1	
02	9GQ0-160120	BULB	2	
03	3112003	BULB	2	HS1 12V 35/35 Px43t
04	30110-480130010	SELF-TAPPING SCREW ST4.8x13	2	ST4.8x13
05	30110-420160010	SELF-TAPPING SCREW ST4.2x16	22	ST4.2x16
06	3112015	BULB	2	R10W 12V 10W BA15s(BA15d)
07	9GQ0-160420	REAR TURN LIGHT, RH	1	
08	30202-060110	NUT M6	2	M6
09	3112004	BULB	1	12V P21/5W 21/5W BAY15d
10	9GQ0-160310	TAIL LIGHT	1	
11	9GQ0-043023	REAR TURN LIGHT COVER, LH	1	
12	9020-160410	LICENSE LIGHT	1	
13	3112017	BULB	1	W5W 12V 5W W2.1x9.5d
14	30105-050012410	SCREW M5x12	1	M5x12
15	9GQ0-160410	REAR TURN LIGHT, LH	1	
16	9GQ0-160100-00001	LH HEADLIGHT ASSY	1	
17	7030-160412	RH BREATHER HOSE, HEADLIGHT	1	
18	7030-160411	LH BREATHER HOSE, HEADLIGHT	1	
19	9GQ0-160050	BRACKET ASSY, REAR LICENSE LIGHT	1	
20	9GQ0-043024	REAR TURN LIGHT COVER, RH	1	
21	30601-112010	CLAMP A12	2	A12
22	0180-014010	WIRE CLAMP	2	

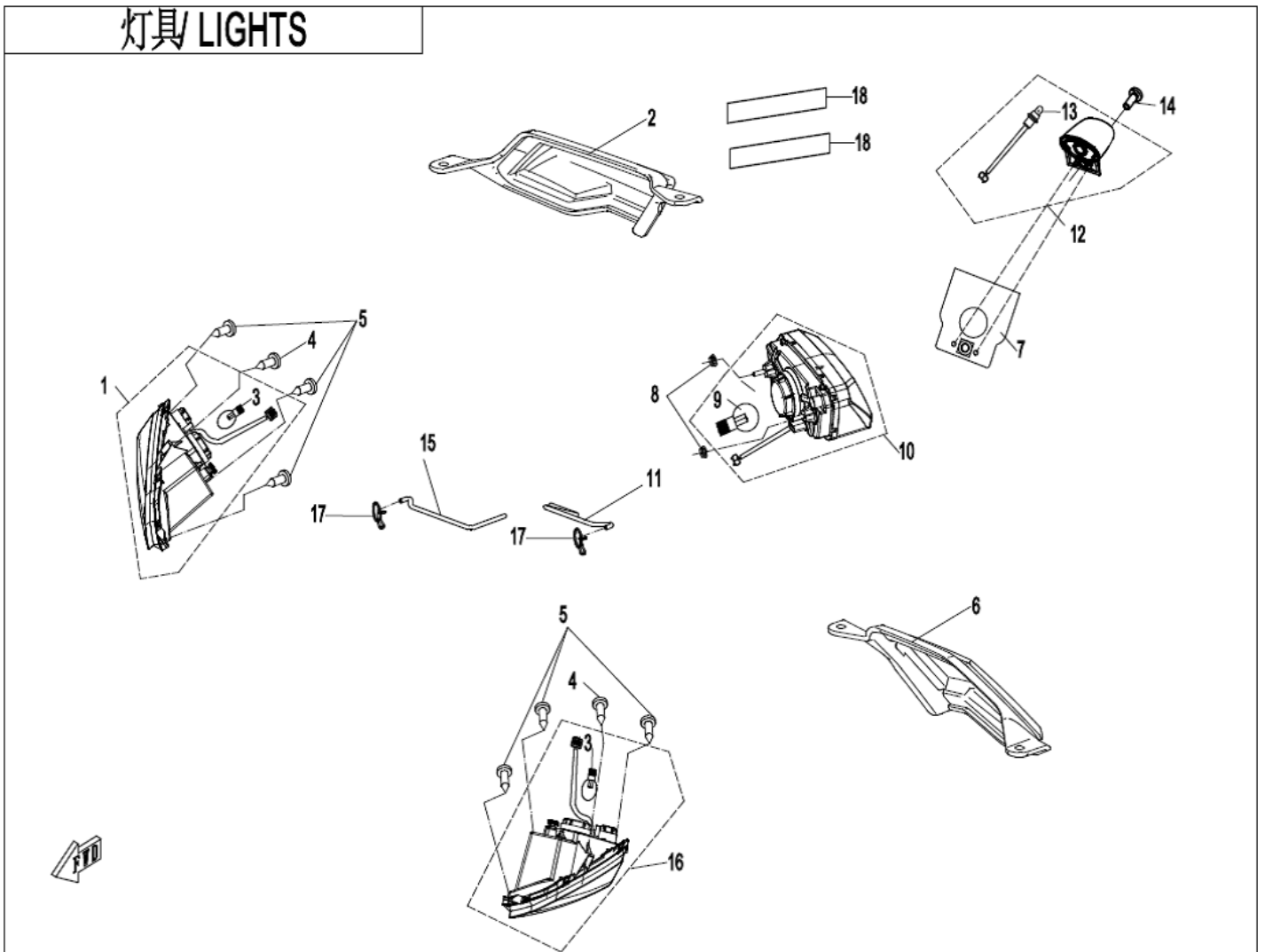
灯具/ LIGHTS



F16-B LIGHTS (USA)

Item No.	Parts Number	Parts Name(EN)	Qty	Specification
01	9GQ0-160200-10001	RH HEADLIGHT ASSY	1	
02	9GQ0-043024	REAR TURN LIGHT COVER, RH	1	
03	3112003	BULB	2	HS1 12V 35/35 Px43t
04	30110-480130010	SELF-TAPPING SCREW ST4.8x13	2	ST4.8x13
05	30110-420160010	SELF-TAPPING SCREW ST4.2x16	22	ST4.2x16
06	3112015	BULB	2	R10W 12V 10W BA15s(BA15d)
07	9GQ0-160420	REAR TURN LIGHT, RH	1	
08	30202-060110	NUT M6	2	M6
09	3112004	BULB	1	12V P21/5W 21/5W BAY15d
10	9GQ0-160310	TAIL LIGHT	1	
11	9GQ0-043023	REAR TURN LIGHT COVER, LH	1	
12	9020-160410	LICENSE LIGHT	1	
13	3112017	BULB	1	W5W 12V 5W W2.1x9.5d
14	30105-050012410	SCREW M5x12	1	M5x12
15	9GQ0-160410	REAR TURN LIGHT, LH	1	
16	9GQ0-160100-10001	LH HEADLIGHT ASSY	1	
17	7030-160412	RH BREATHER HOSE, HEADLIGHT	1	
18	7030-160411	LH BREATHER HOSE, HEADLIGHT	1	
19	9GQ0-160050	BRACKET ASSY, REAR LICENSE LIGHT	1	
20	30601-112010	CLAMP A12	2	A12
21	0180-014010	WIRE CLAMP	2	

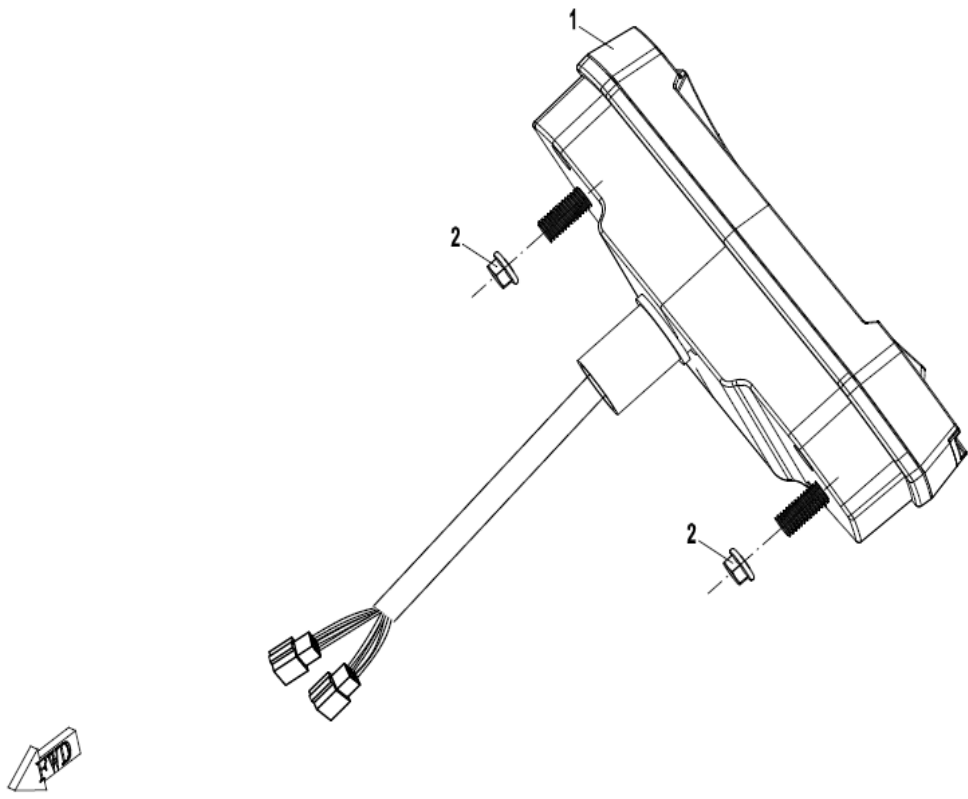
灯具 LIGHTS



F16-C LIGHTS (USA, WITHOUT TURN LIGHT)

Item No.	Parts Number	Parts Name(EN)	Qty	Specification
01	9GQ0-160200-10001	RH HEADLIGHT ASSY	1	
02	9GQ0-043031	DECO COVER, RH TURN LIGHT	1	
03	3112003	BULB	2	HS1 12V 35/35 Px43t
04	30110-480130010	SELF-TAPPING SCREW ST4.8x13	2	ST4.8x13
05	30110-420160010	SELF-TAPPING SCREW ST4.2x16	6	ST4.2x16
06	9GQ0-043029	DECO COVER, LH TURN LIGHT	1	
07	9GQ0-160050	BRACKET ASSY, REAR LICENSE LIGHT	1	
08	30202-060110	NUT M6	2	M6
09	3112004	BULB	1	12V P21/5W 21/5W BAY15d
10	9GQ0-160310	TAIL LIGHT	1	
11	7030-160411	LH BREATHER HOSE, HEADLIGHT	1	
12	9020-160410	LICENSE LIGHT	1	
13	3112017	BULB	1	W5W 12V 5W W2.1x9.5d
14	30105-050012410	SCREW M5x12	1	M5x12
15	7030-160412	RH BREATHER HOSE, HEADLIGHT	1	
16	9GQ0-160100-10001	LH HEADLIGHT ASSY	1	
17	30601-112010	CLAMP A12	2	A12
18	0180-014010	WIRE CLAMP	2	

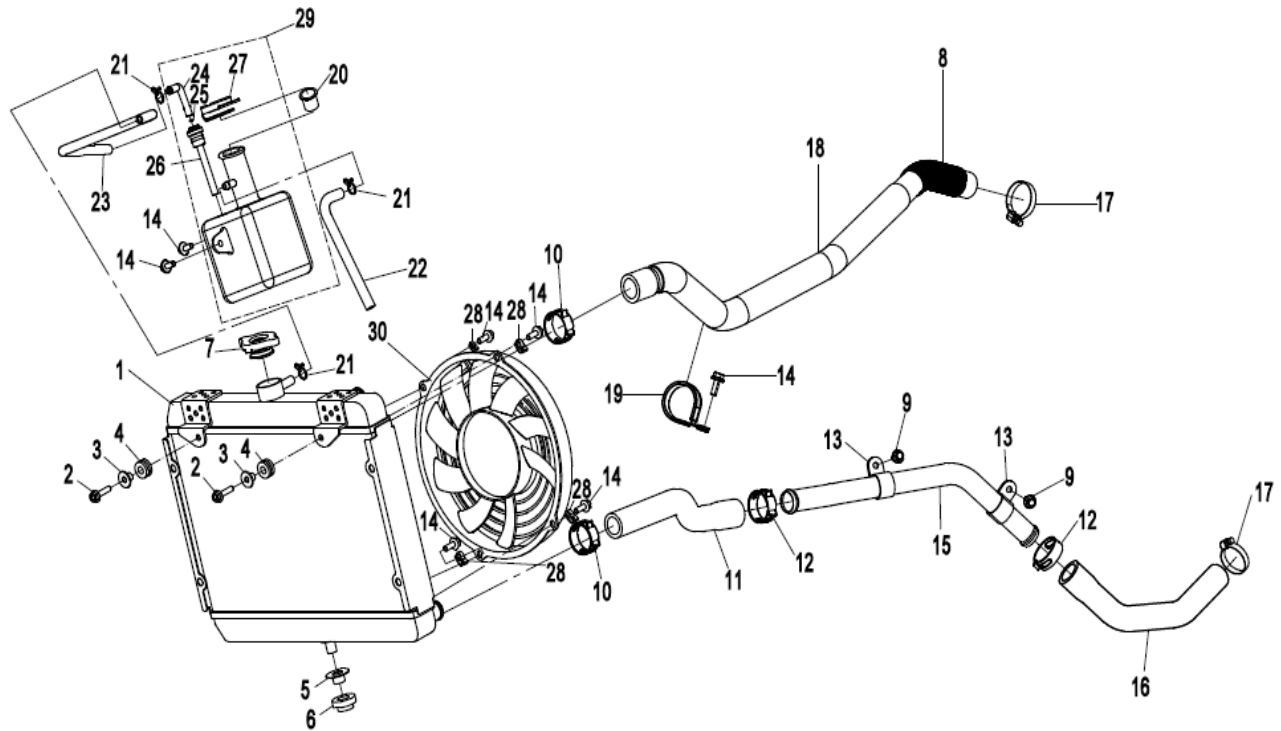
F17 仪表/DASHBOARD



F17 DASHBOARD

Item No.	Parts Number	Parts Name(EN)	Qty	Specification
01	9GQ0-170110-00002	LCD DASHBOARD	1	
02	30202-060110	NUT M6	2	M6

冷却系统/ COOLING SYSTEM



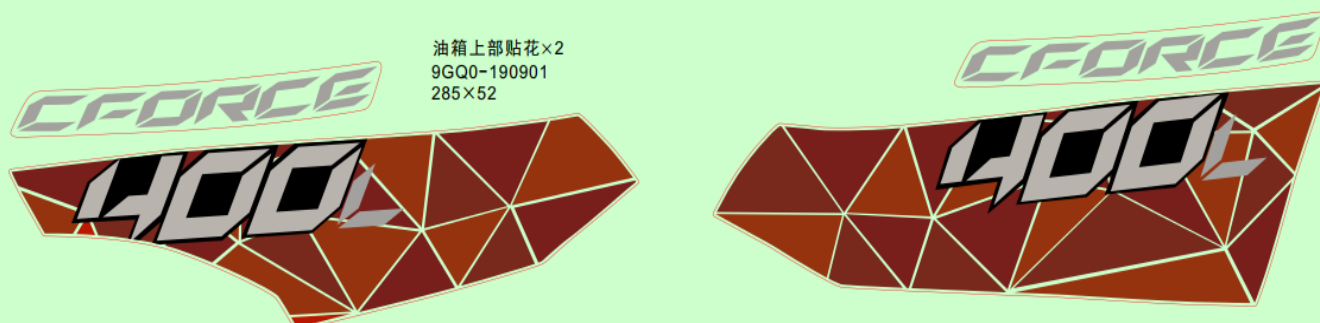
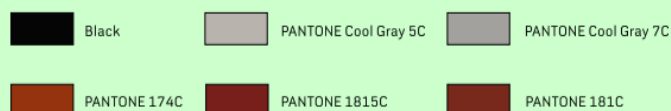
F18-V3 COOLING SYSTEM

Item No.	Parts Number	Parts Name(EN)	Qty	Specification
01	9GQA-180100	RADIATOR ASSY	1	
02	30006-060025810	BOLT M6x25	2	M6x25
03	5020-031002	RUBBER SLEEVE LINER, FRONT LICENSE BRACKET	2	
04	9010-030047	RUBBER CUSHION WASHER	2	
05	9010-180010	STEEL SLEEVE, RADIATOR	1	
06	9010-180004	RUBBER SLEEVE, RADIATOR	1	
07	9010-180300	CAP, WATER FILLER	1	
08	0110-023009	JACKET, WATER HOSE	1	
09	30006-060012810	BOLT M6x12	2	M6x12
10	A000-180006	CLAMP B30	2	B30
11	9GQ0-180006	WATER OUTLET HOSE, RADIATOR	1	
12	7000-180007	STEEL BAND CLAMP 34	2	WHITE
12	7000-180007-00001	STEEL BAND CLAMP 34	2	
13	9GQ0-180007	CLIP, WATER HOSE	2	
14	30006-060016810	BOLT M6x16	7	M6x16
15	9GQ0-180001	WATER INLET PIPE, ENGINE	1	
16	9GQ0-180005	WATER INLET PIPE, ENGINE	1	
17	9010-180007	CLAMP, WATER HOSE	2	
18	9GQ0-180011	WATER INLET PIPE, RADIATOR	1	
19	9AWA-180020	CLIP, WATER HOSE	1	
20	9060-180903	GASKET, RESERVOIR	1	
21	30601-112010	CLAMP A12	3	A12
22	9GQ0-180009	WATER HOSE, RESERVOIR TANK	1	
23	9GQ0-180008	OVERFLOW HOSE, RADIATOR	1	
24	8030-180302	JOINT	1	
25	30601-113010	CLAMP A13	1	A13
26	8010-180028	HOSE, RESERVOIR TANK	1	
27	8010-180023	CAP, RESERVOIR TANK	1	
28	9030-180071	ADAPTOR, CLIP	4	
29	9GQ0-180900	RESERVOIR TANK ASSY	1	
30	9010-180200-3000	FAN&MOTOR	1	

个性贴花总成
9GQL-190030

CF400AU-L 美规2020款个性贴花 (彩晶桔车)

均使用3M 2008面料



油箱上部贴花×2
9GQ0-190901
285×52

左油箱下部贴花
9GQL-190901
485×150

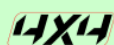
右油箱下部贴花
9GQL-190902
473×155



EPS贴花×2
9GQ0-190904
85×24



CFMOTO贴花×2
9GQ0-190905
172×23



4×4贴花×2
9GQ0-190906
82×24

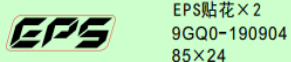
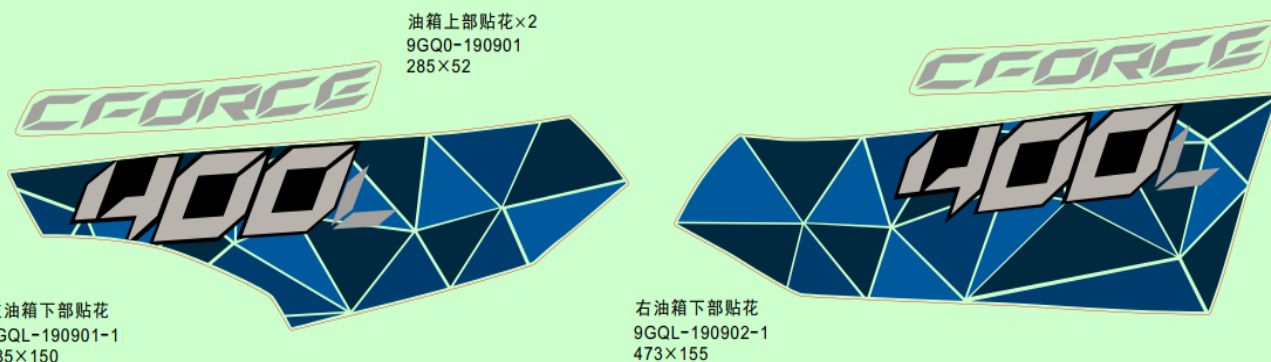
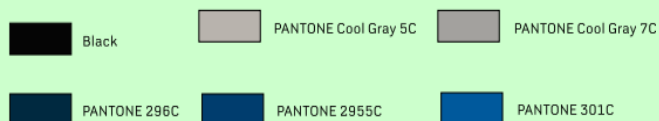
F19-1-A DECAL KITS(NA&2022,CRYSTAL ORANGE)

Item No.	Parts Number	Parts Name(EN)	Qty	Specification
01	9GQL-190030	DECAL ASSY.	1	
02	9GQ0-190901	UPPER DECAL , FUEL TANK	2	
03	9GQL-190901	LH LOWER DECAL, FUEL TANK	1	
04	9GQL-190902	RH LOWER DECAL, FUEL TANK	1	
05	9GQ0-190904	EPS DECAL	2	
06	9GQ0-190905	CFMOTO STICKER	2	
07	9GQ0-190906	4x4 DECAL	2	

个性贴花总成
9GQL-190030-1

CF400AU-L 美规2020款个性贴花 (皇室蓝车)

均使用3M 2008面料



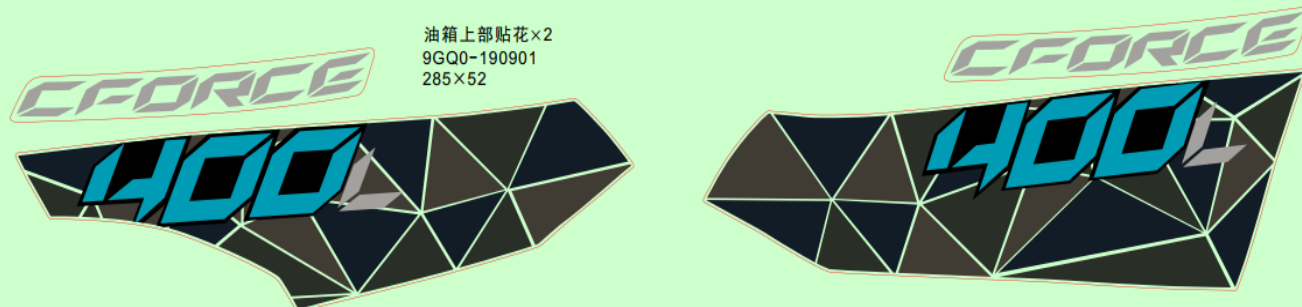
F19-1-B DECALKITS(NA&2022,ROYAL BLUE)

Item No.	Parts Number	Parts Name(EN)	Qty	Specification
01	9GQL-190030-10000	DECAL ASSY.	1	
02	9GQ0-190901	UPPER DECAL , FUEL TANK	2	
03	9GQL-190901-10000	LOWER DECAL , FUEL TANK(LH)	1	
04	9GQL-190902-10000	LOWER DECAL , FUEL TANK(RH)	1	
05	9GQ0-190904	EPS DECAL	2	
06	9GQ0-190905	CFMOTO STICKER	2	
07	9GQ0-190906	4x4 DECAL	2	

个性贴花总成
9GQL-190030-2

CF400AU-L 美规2020款个性贴花 (星光黑车)

均使用3M 2008面料



油箱上部贴花×2
9GQ0-190901
285×52

左油箱下部贴花
9GQL-190901-2
485×150

右油箱下部贴花
9GQL-190902-2
473×155

EPS贴花×2
9GQ0-190904-2
85×24

CFMOTO贴花×2
9GQ0-190905-2
172×23

4×4贴花×2
9GQ0-190906-2
82×24

F19-1-C DECAL KITS (NA&2022,NEBULA BLACK)

Item No.	Parts Number	Parts Name(EN)	Qty	Specification
01	9GQL-190030-20000	DECAL ASSY.	1	
02	9GQ0-190901	UPPER DECAL , FUEL TANK	2	
03	9GQL-190901-20000	LOWER DECAL , FUEL TANK(LH)	1	
04	9GQL-190902-20000	LOWER DECAL , FUEL TANK(RH)	1	
05	9GQ0-190904-20000	EPS DECAL	2	
06	9GQ0-190905-20000	CFMOTO STICKER	2	
07	9GQ0-190906-20000	4x4 DECAL	2	

CF400AU-L 欧规2021款个性贴花 (火焰橙车)

材料:未注材料为普通透明PVC,表面亮光光油.

刀模线

Pantone 151 C
 Black
 Pantone Silver C+银粉

左油箱贴花
9GQ0-191301
343×117



右油箱贴花
9GQ0-191302
433×124



Pantone Cool Gray 7 C
 Pantone Cool Gray 11 C
 Black

EFI

EFI贴花×2
9GQ0-191306
69×17

CFMOTO

CFMOTO贴花×2
9GQ0-191305
172×24

CVT贴花
9GQ0-191309
141×58
材料:PET



EPS

EPS贴花×2
9GQ0-191307
55×11

CFORCE

商品名贴花×2
9GQ0-191303
269×31

渐变

 Pantone Cool Gray 11 C Pantone Cool Gray 7 C

4X4

4×4贴花×2
9GQ0-191308
80×16

450L

排量贴花×2
9GQB-190301
151×23

无法规国牌版选装(二选一)

400L

排量贴花×2
9GQL-191401
151×23

CF400AU-L-E

CF400ATR-2L-B

CF400ATR-2L-E

CF400AU-B

CF400AU-L

型号贴花×2
9GQB-190302
75×5
欧五状态

型号贴花×2
9GQ2-190401
75×5
欧规167 T3a状态

型号贴花×2
9GQ2-190402
75×5
欧规167 T3a状态

型号贴花×2
9GQB-190304
75×5
欧规LoF状态

型号贴花×2
9GQL-191402
75×5
无法规状态

F19-1-E DECAL KITS(INTERNATIONAL&2022 LAVA ORANGE)

Item No.	Parts Number	Parts Name(EN)	Qty	Specification
01	9GQ0-1901B0	DECAL ASSY	1	
02	9GQ0-191301	LH DECAL, FUEL TANK	1	
03	9GQ0-191302	RH DECAL, FUEL TANK	1	
04	9GQ0-191303	COMMERCIAL NAME DECAL	2	
05	9GQL-191401	DISPLACEMENT DECAL	2	
06	9GQB-190301	MODEL DECAL	2	
07	9GQ0-191305	CFMOTO DECAL	2	
08	9GQ0-191306	EFI DECAL	2	
09	9GQ0-191307	EPS DECAL	2	
10	9GQ0-191308	4X4 DECAL	2	
11	9GQ0-191309	CVT DECAL	1	
12	9GQL-191402	MODEL DECAL	2	

材料:未注材料为普通透明PVC,表面亮光光油.

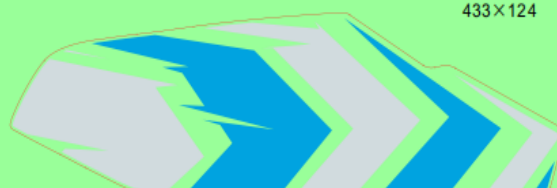
刀模线

Pantone 299 C Black Pantone Silver C+银粉

左油箱贴花
9GQ0-191301-1
343×117



右油箱贴花
9GQ0-191302-1
433×124



Pantone Cool Gray 7 C Pantone Cool Gray 11 C Black

EFI

EFI贴花×2
9GQ0-191306
69×17

CFMOTO

CFMOTO贴花×2
9GQ0-191305
172×24

CVT贴花
9GQ0-191309
141×58
材料:PET



EPS

EPS贴花×2
9GQ0-191307
55×11

CFORCE

商品名贴花×2
9GQ0-191303
269×31

渐变
Pantone Cool Gray 11 C Pantone Cool Gray 7 C

4X4

4×4贴花×2
9GQ0-191308
80×16

450L

排量贴花×2
9GQB-190301
151×23

无法规范排版选项(二线一)

400L

排量贴花×2
9GQL-191401
151×23

CF400AU-L

CF400ATR-2L

CF400ATR-2L

CF400AU-B

CF400AU-L

型号贴花×2
9GQB-190302
75×5
欧五状态

型号贴花×2
9GQ2-190401
75×5
欧规167 T3a状态

型号贴花×2
9GQ2-190402
75×5
欧规167 T3a状态

型号贴花×2
9GQB-190304
75×5
欧规LOF状态

型号贴花×2
9GQL-191402
75×5
无法规状态

F19-1-F DECAL KITS(INTERNATIONAL&2022 INJECTED PEARL BLUE)

Item No.	Parts Number	Parts Name(EN)	Qty	Specification
01	9GQ0-1901B0-10000	DECAL ASSY	1	
02	9GQ0-191301-10000	LH DECAL, FUEL TANK	1	
03	9GQ0-191302-10000	RH DECAL, FUEL TANK	1	
04	9GQ0-191303	COMMERCIAL NAME DECAL	2	
05	9GQL-191401	DISPLACEMENT DECAL	2	
06	9GQB-190301	MODEL DECAL	2	
07	9GQ0-191305	CFMOTO DECAL	2	
08	9GQ0-191306	EFI DECAL	2	
09	9GQ0-191307	EPS DECAL	2	
10	9GQ0-191308	4X4 DECAL	2	
11	9GQ0-191309	CVT DECAL	1	
12	9GQL-191402	MODEL DECAL	2	

CF400AU-L 欧规2021款个性贴花 (珠光粉色母黑车)

材料:未注材料为普通光白PVC,表面亮光光油.

刀模线



左油箱贴花
9GQ0-191301-2
343×117



右油箱贴花
9GQ0-191302-2
433×124



Pantone Cool Gray 7 C Pantone Cool Gray 11 C Black



EFI贴花×2
9GQ0-191306-2
69×17



CFMOTO贴花×2
9GQ0-191305-2
172×24

CVT贴花
9GQ0-191309
141×58
材料:PET



EPS贴花×2
9GQ0-191307-2
55×11



商品名贴花×2
9GQ0-191303-2
269×31

渐变
Pantone Cool Gray 11 C Pantone Cool Gray 7 C



4×4贴花×2
9GQ0-191308-2
80×16



排量贴花×2
9GQB-190301-2
151×23



型号贴花×2
9GQB-190302-2
75×5
欧五状态



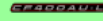
型号贴花×2
9GQ2-190401-2
75×5
欧规167 T3a状态



型号贴花×2
9GQ2-190402-2
75×5
欧规167 T3a状态



型号贴花×2
9GQB-190304-2
75×5
欧规Lof状态



型号贴花×2
9GQL-191402-2
75×5
无法规状态

无法规国际版选装(二选一)



排量贴花×2
9GQL-191401-2
151×23

F19-1-G DECAL KITS(INTERNATIONAL&2022 INJECTED PEARL BLACK)

Item No.	Parts Number	Parts Name(EN)	Qty	Specification
01	9GQ0-1901B0-20000	DECAL ASSY	1	
02	9GQ0-191301-20000	LH DECAL, FUEL TANK	1	
03	9GQ0-191302-20000	RH DECAL, FUEL TANK	1	
04	9GQ0-191303-20000	COMMERCIAL NAME DECAL	2	
05	9GQL-191401-20000	DISPLACEMENT DECAL	2	
06	9GQB-190301-20000	MODEL DECAL	2	
07	9GQ0-191305-20000	CFMOTO DECAL	2	
08	9GQ0-191306-20000	EFI DECAL	2	
09	9GQ0-191307-20000	EPS DECAL	2	
10	9GQ0-191308-20000	4X4 DECAL	2	
11	9GQ0-191309	CVT DECAL	1	
12	9GQL-191402-20000	MODEL DECAL	2	

CF400AU-L 欧规2021款个性贴花 (猎装枫叶迷彩车)

材料:未注材料为普通透明PVC,表面哑光光油.

刀模线

Pantone Black 4 C

Pantone 402 C

Pantone Cool Gray 7 C

Pantone Cool Gray 11 C

Black

EFI

EFI贴花×2
9GQ0-191306-3
69×17

CFMOTO

CFMOTO贴花×2
9GQ0-191305-3
172×24

CVT贴花
9GQ0-191309
141×58
材料: PET



EPS

EPS贴花×2
9GQ0-191307-3
55×11

CFORCE

商品名贴花×2
9GQ0-191303-3
269×31

渐变
Pantone Cool Gray 11 C Pantone Cool Gray 7 C

4X4

4×4贴花×2
9GQ0-191308-3
80×16

450L

无法规国际版选装(二选一)

排量贴花×2
9GQB-190301-3
151×23

400L

排量贴花×2
9GQL-191401-3
151×23

CF400AU-LP

CF400ATR-2L

CF400ATR-2L

CF400AU-B

CF400AU-L

型号贴花×2
9GQB-190302-3
75×5
欧五状态

型号贴花×2
9GQ2-190401-3
75×5
欧规167 T3b状态

型号贴花×2
9GQ2-190402-3
75×5
欧规167 T3a状态

型号贴花×2
9GQB-190304-3
75×5
欧规LOF状态

型号贴花×2
9GQL-191402-3
75×5
无法规状态

F19-1-H DECAL KITS(INTERNATIONAL&2022 TRUE TIMBER CAMO)

Item No.	Parts Number	Parts Name(EN)	Qty	Specification
01	9GQ0-1901B0-30000	DECAL ASSY	1	
02	9GQ0-191309	CVT DECAL	1	
03	9GQL-191402-30000	MODEL DECAL	2	
04	9GQ0-191303-30000	COMMERCIAL NAME DECAL	2	
05	9GQL-191401-30000	DISPLACEMENT DECAL	2	
06	9GQB-190301-30000	MODEL DECAL	2	
07	9GQ0-191305-30000	CFMOTO DECAL	2	
08	9GQ0-191306-30000	EFI DECAL	2	
09	9GQ0-191307-30000	EPS DECAL	2	
10	9GQ0-191308-30000	4X4 DECAL	2	

俄罗斯AWM客户CF400AU-L

其余颜色车 贴花



F19-1-I DECAL KITS(RUSSIA, OTHER COLORS)

Item No.	Parts Number	Parts Name(EN)	Qty	Specification
01	9GQL-191301-10000	LH DECAL, FUEL TANK	1	
02	9GQL-191302-10000	RH DECAL 1, FUEL TANK	1	
03	9GQL-191303-10000	DECAL1, FRONT LH SIDE COVER	1	
04	9GQL-191304-10000	DECAL1, FRONT RH SIDE COVER	1	
05	9GQL-191305-10000	DECAL1, REAR LH SIDE COVER	1	
06	9GQL-191306-10000	DECAL1, REAR RH SIDE COVER	1	
07	9CR6-190001	CFMOTO LOGO	1	SMALL
08	9CR6-190311	CVT LABEL	1	
09	7020-190508	EAC LABEL	1	EAC LABEL
10	7030-190001	CFMOTO LOGO	1	BIG

俄罗斯AWM客户CF400AU-L


黑色车贴花



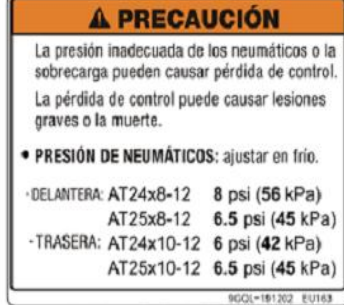
F19-1-J DECAL KITS (RUSSIA, BLACK)

Item No.	Parts Number	Parts Name(EN)	Qty	Specification
01	9GQL-191301	LH DECAL, FUEL TANK	1	
02	9GQL-191302	RH DECAL, FUEL TANK	1	
03	9GQL-191303	DECAL, FRONT LH SIDE COVER	1	
04	9GQL-191304	DECAL, FRONT RH SIDE COVER	1	
05	9GQL-191305	DECAL, REAR LH SIDE COVER	1	
06	9GQL-191306	DECAL, REAR RH SIDE COVER	1	
07	9CR6-190001	CFMOTO LOGO	1	SMALL
08	9CR6-190311	CVT LABEL	1	
09	7020-190507	EAC LABEL	1	EAC LABEL
10	7030-190001	CFMOTO LOGO	1	BIG


阿根廷SMP客户 CF400AU-L




驾驶警告贴花 114×177
9GQL-191201




轮胎气压及负荷说明贴花 80×105
9GQL-191202




驾驶员年龄警告贴花 77×85
9GQL-191203




乘员警告贴花 85×60
9GQL-191204




四驱行驶操作警告贴花
9GQL-191205




前货架载说明贴花
9GQL-191211




安全警告说明贴花
9GQL-191206




发动机机油警告贴花 60×30
9GQL-191208




拖挂载说明贴花 62×23
9GQL-191209



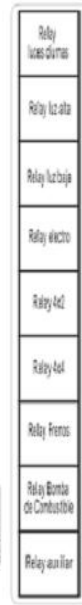
换挡操作说明贴花 40×75
9GQL-191207




后货架载说明贴花
9GQL-191212




安全警告说明贴花
9GQL-191206




继电器标识
9GQL-191213



企标×1(注塑)
7000-191212
76×64



企标×1(注塑)
9GQL-191214 30×25.5



车辆铭牌
9GQL-190011

F19-2-A WARNING DECAL (ARGENTINA)

Item No.	Parts Number	Parts Name(EN)	Qty	Specification
01	9GQL-190011	VIN PLATE	1	VIN PLATE
02	9GQL-191201	DECAL, DRIVE WARNING	1	
03	9GQL-191202	INSTRUCTION DECAL, TIRE PRESSURE AND LOAD	1	
04	9GQL-191203	WARNING DECAL, DRIVERS AGE	1	
05	9GQL-191204	WARNING DECAL, PASSENGER	1	
06	9GQL-191205	WARNING LABEL, 4WD OPERATION	1	
07	9GQL-191206	DECAL, SAFETY WARNING	1	
08	9GQL-191207	INSTRUCTION LABEL, GEAR SHIFT	1	
09	9GQL-191208	WARNING DECAL, ENGINE OIL	1	
10	9GQL-191209	INSTRUCTION LABEL, TOWING LOAD	1	
11	9GQL-191211	INSTRUCTION LABEL, FRONT RACK LOAD	1	
12	9GQL-191212	INSTRUCTION DECAL, REAR RACK LOAD	1	INSTRUCTION DECAL, REAR RACK LOAD
13	9GQL-191213	LABEL, RELAY	1	
14	9GQL-191214	CF LOGO	1	
15	7000-191212	CF LOGO	1	
16	30902-0401320	BLIND RIVET	4	4x13

阿根廷SMP客户 CF400AU-L

PRECAUCIÓN
El uso indebido del ATV puede ocasionar LESIONES GRAVES o la MUERTE.

SIEMPRE UTILICE CASCO Y EQUIPO PROTECTORES HABILITADOS

NUNCA UTILICE DROGAS NI BEBA ALCOHOL

NUNCA utilizar:
• sin el correspondiente entrenamiento o instrucción.
• a velocidades excesivas para su conocimiento o pericia.

SIEMPRE:
• Utilizar técnicas de manejo apropiadas para evitar vuelcos del vehículo en colinas, terrenos desparejos y en giros.
• Evite superficies pavimentadas. El pavimento puede afectar seriamente el control y la maniobrabilidad.

LEA EL MANUAL DE USUARIO SIGA TODAS LAS INSTRUCCIONES Y PRECAUCIONES

9GQL-191201 EU163

驾驶员警告贴花 114×177
9GQL-191201

PRECAUCIÓN
La presión inadecuada de los neumáticos o la sobrecarga pueden causar pérdida de control. La pérdida de control puede causar lesiones graves o la muerte.

• **PRESIÓN DE NEUMÁTICOS:** ajustar en frío.

• DELANTERA: AT24x8-12 8 psi (56 kPa)
AT25x8-12 6.5 psi (45 kPa)

• TRASERA: AT24x10-12 6 psi (42 kPa)
AT25x10-12 6.5 psi (45 kPa)

9GQL-191202 EU163

轮胎气压及负荷说明贴花 80×105
9GQL-191202

PRECAUCIÓN

NUNCA conduzca este ATV si es menor de 16 años. Conducir este ATV si es menor de 16 años incrementa las posibilidades de lesiones graves o la muerte.

9GQL-191203 EU163

驾驶员年龄警告贴花 77×85
9GQL-191203

PRECAUCIÓN

Está prohibido cargar pasajeros menores de 12 años. Los pasajeros deben estar bien sentados y sujetos firmemente de las agarraderas.

9GQL-191204 EU163

乘员警告贴花 85×60
9GQL-191204

PRECAUCIÓN

Nunca transportar más de un pasajero. Nunca conducir con un pasajero a menos que el asiento del pasajero se encuentre correctamente colocado. El pasajero debe sujetarse firmemente de las agarraderas durante el manejo.

9GQL-191205 EU163

安全警告说明贴花
9GQL-191206

PRECAUCIÓN

NUNCA llevar pasajeros en este portaequipajes. CARGA MÁXIMA: 20 KG (44,1 LBS)

9GQL-191211 EU163

前货架载有说明贴花
9GQL-191211

PRECAUCIÓN

NUNCA llevar pasajeros en este portaequipajes. CARGA MÁXIMA: 40 KG (88,2 LBS)

9GQL-191212 EU163

后货架载有说明贴花
9GQL-191212

PRECAUCIÓN

Dablar el ATV con el bloqueo de diferencial (4WD-LOCK) accionado requiere mayor esfuerzo. Opere el vehículo a baja velocidad y permítase mayor tiempo y distancia de maniobras para evitar la pérdida de control.

9GQL-191205 EU163

四驱行驶操作警告贴花
9GQL-191205

车辆铭牌
9GQL-190011

继电器标识
9GQL-191213

金标×1 (清塑)
7000-191212-1
76×64

金标×1 (清塑)
9GQL-191214-1
30×25.5

SELECTOR DE MARCHAS

• Lea el manual de usuario atentamente antes de operar el vehículo.
• El ATV debe estar detenido antes de cambiar de marcha.
• Es imposible desplazar el selector de marchas de o hacia las posiciones "Reversa" y "Estacionamiento" sin accionar el freno trasero.

9GQL-191207 EU163

换挡操作说明贴花 40×75
9GQL-191207

NOTA

Revise el nivel del aceite del motor cada 500 kilómetros.

9GQL-191208 EU163

发动机机油警告贴花 60×30
9GQL-191208

F19-2-B WARNING DECAL (ARGENTINA)

Item No.	Parts Number	Parts Name(EN)	Qty	Specification
01	9GQL-190011	VIN PLATE	1	VIN PLATE
02	9GQL-191201	DECAL, DRIVE WARNING	1	
03	9GQL-191202	INSTRUCTION DECAL, TIRE PRESSURE AND LOAD	1	
04	9GQL-191203	WARNING DECAL, DRIVERS AGE	1	
05	9GQL-191204	WARNING DECAL, PASSENGER	1	
06	9GQL-191205	WARNING LABEL, 4WD OPERATION	1	
07	9GQL-191206	DECAL, SAFETY WARNING	1	
08	9GQL-191207	INSTRUCTION LABEL, GEAR SHIFT	1	
09	9GQL-191208	WARNING DECAL, ENGINE OIL	1	
10	9GQL-191209	INSTRUCTION LABEL, TOWING LOAD	1	
11	9GQL-191211	INSTRUCTION LABEL, FRONT RACK LOAD	1	
12	9GQL-191212	INSTRUCTION DECAL, REAR RACK LOAD	1	INSTRUCTION DECAL, REAR RACK LOAD
13	9GQL-191213	LABEL, RELAY	1	
14	9GQL-191214-10000	CFMOTO LOGO	1	
15	7000-191212-10000	CORPORATE LOGO	1	74.5*62
16	30902-0401320	BLIND RIVET	4	4x13

巴西FM客户 CF400AU-L

AVISO

O uso incorreto do quadriciclo pode causar lesões ou até a morte.



Sempre use equipamentos aprovados pelo INMETRO



Nunca use sob efeito de drogas ou álcool

NUNCA opere:
- sem treinamento ou instruções apropriadas; em velocidades altas para suas habilidades.

SEMPRE:
- use técnicas apropriadas para evitar que o quadriciclo tombe em montanhas ou terrenos irregulares.
- evite superfícies pavimentadas, podendo estas afetar o controle do quadriciclo.

Localize e leia atentamente o manual do usuário e siga todas as instruções e avisos.

9GQL-191102 EU15C

驾驶警告贴花 114×177
9GQL-191102

ATENÇÃO

Mudar para 4WD-LOCK (bloqueio diferencial) exige maior esforço do produto. Opere em velocidade reduzida e faça manobras com cautela para evitar a perda de controle.

9GQL-191106 EU15C

四驱行驶操作警告贴花
9GQL-191106

ATENÇÃO

A calibragem incorreta dos pneus ou o excesso de peso podem causar perda de controle. A perda de controle pode resultar em danos severos ou morte.

• Pressão dos pneus:

Diant: AT24x8-12 8 psi (56 kPa)
AT25x8-12 6.5 psi (45 kPa)
Tras: AT24x10-12 6 psi (42 kPa)
AT25x10-12 6.5 psi (45 kPa)

9GQL-191103 EU15C

轮胎气压及负荷说明贴花 80×105
9GQL-191103

LIMITE MÁXIMO DE CARGA

Carga máxima: 1470 N (150 kg)
330 lbs
Carga do encape: 294 N (30 kg)
66 lbs

9GQL-191111 EU15C

拖挂载荷说明贴花 82×23
9GQL-191111

ATENÇÃO

NUNCA carregue passageiros nesse bagageiro.
Carga máxima: 20 kgs

9GQL-191112 EU15C

前货架载荷说明贴花
9GQL-191112

ATENÇÃO

NUNCA carregue passageiros nesse bagageiro.
Carga máxima: 40 kgs

9GQL-191113 EU15C

后货架载荷说明贴花
9GQL-191113

ATENÇÃO

MAIORES DE 16

Para menores de 16 anos, operar este quadriciclo aumentam as chances de sofrer acidentes ou até morte.

NUNCA opere este quadriciclo se você for menor de 16 anos.

9GQL-191104 EU15C

驾驶员年龄警告贴花 77×85
9GQL-191104

9GQL-191114 EU15C

2x=C5000 4x=2f
2x=C5000 4x=3
2x=C5000 4x=4
2x=C5000 4x=5
2x=C5000 4x=6
2x=C5000 4x=7
2x=C5000 4x=8



继电器贴花
9GQL-191114

ATENÇÃO

É PROIBIDO passageiros menores de 12 anos. Os passageiros devem estar bem acomodados e os segurarem nos apoios de mão.

9GQL-191105 EU15C

乘员警告贴花 85×60
9GQL-191105

ATENÇÃO

Nunca carregue mais do que 1 passageiro. Nunca transporte passageiro que não esteja sentado e completamente seguro. O passageiro DEVE segurar firme no apoio de mão durante o percurso.

9GQL-191107 EU15C

安全警告说明贴花
9GQL-191107

MUDANÇA DE MARCHA

• Leia atentamente o manual do usuário antes de operar o produto.
• O quadriciclo DEVE estar parado ao realizar a troca de marcha.
• É necessário pressionar o freio para engatar a ré ou park (P).

9GQL-191108 EU15C

换挡操作说明贴花 40×75
9GQL-191108

AVISO

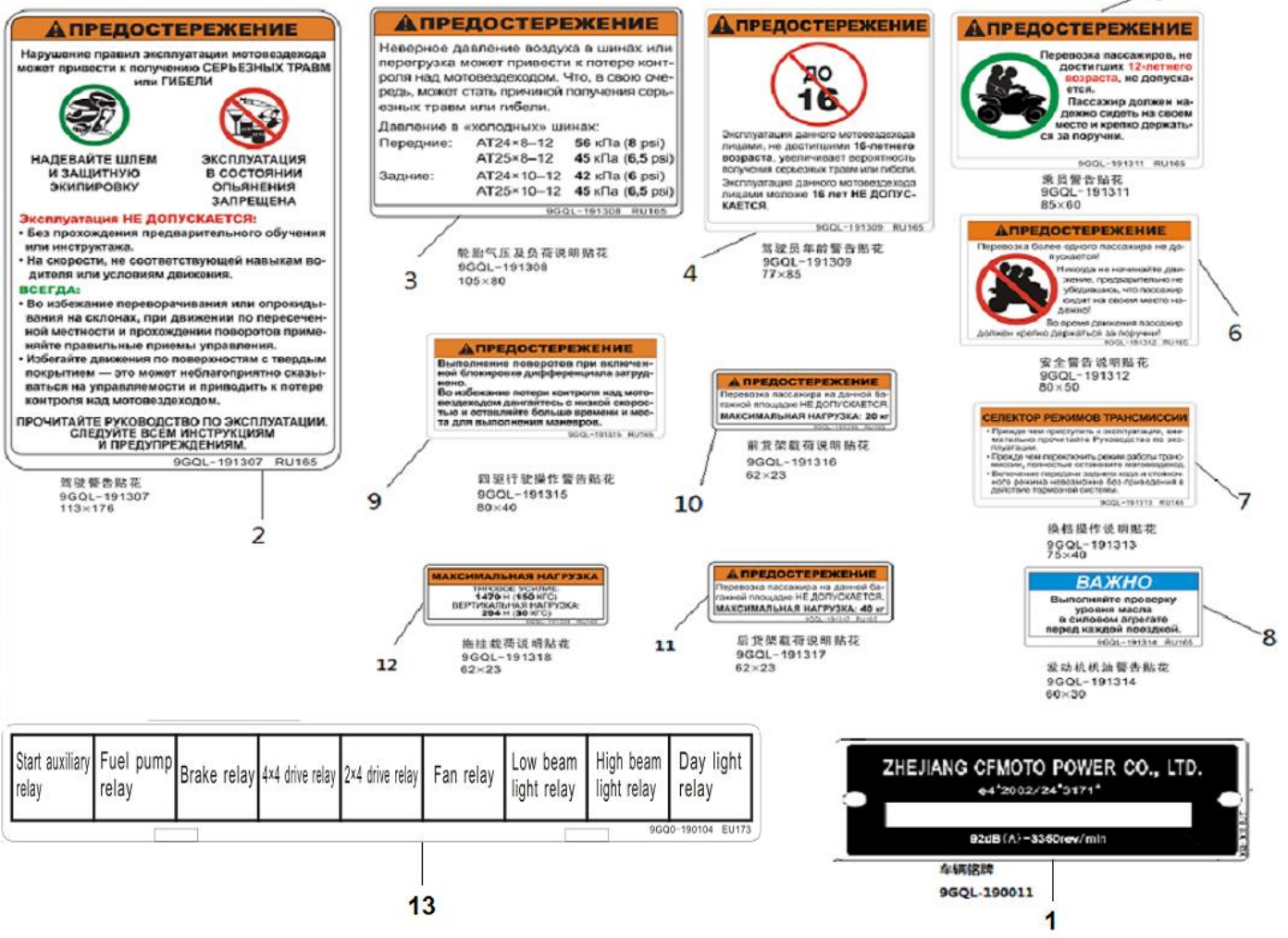
Verificar o óleo do motor a cada 500 quilômetros (310 milhas)

9GQL-191109 EU15C

发动机机油警告贴花 60×30
9GQL-191109

F19-2-C WARNING DECAL (BRAZIL)

Item No.	Parts Number	Parts Name(EN)	Qty	Specification
01	9GQL-191101	BRAND DECAL	1	
02	9GQL-191102	DECAL, DRIVE WARNING	1	
03	9GQL-191103	INSTRUCTION DECAL, TIRE PRESSURE AND LOAD	1	
04	9GQL-191104	WARNING DECAL, DRIVERS AGE	1	
05	9GQL-191105	WARNING DECAL, PASSENGER	1	
06	9GQL-191106	WARNING LABEL, 4WD OPERATION	1	
07	9GQL-191107	DECAL, SAFETY WARNING	1	
08	9GQL-191108	INSTRUCTION LABEL, GEAR SHIFT	1	
09	9GQL-191109	WARNING DECAL, ENGINE OIL	1	
10	9GQL-191111	INSTRUCTION LABEL, TOWING LOAD	1	
11	9GQL-191112	INSTRUCTION LABEL, FRONT RACK LOAD	1	
12	9GQL-191113	INSTRUCTION DECAL, REAR RACK LOAD	1	
13	9GQL-191114	LABEL, RELAY	1	

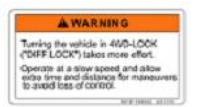
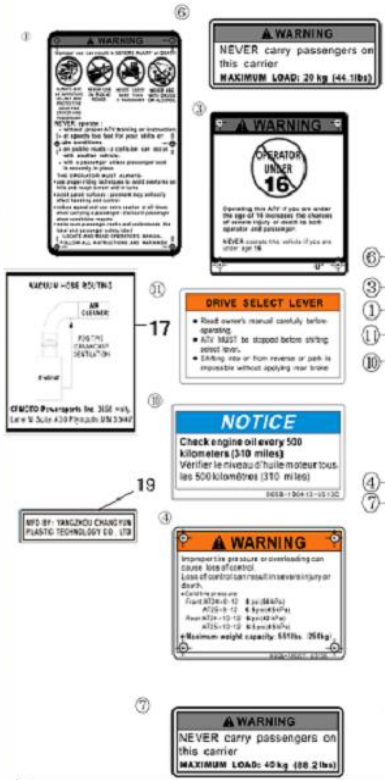
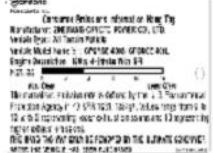


F19-2-D WARNING DECAL(RUSSIA)

Item No.	Parts Number	Parts Name(EN)	Qty	Specification
01	9GQL-190011	VIN PLATE	1	VIN PLATE
02	9GQL-191307	DRIVE WARNING LABEL	1	
03	9GQL-191308	INSTRUCTION LABEL, TIRE PRESSURE AND LOAD	1	
04	9GQL-191309	WARNING LABEL, DRIVER AGE	1	
05	9GQL-191311	WARNING LABEL, PASSENGER	1	
06	9GQL-191312	DECAL, SAFETY WARNING	1	
07	9GQL-191313	INSTRUCTION DECAL, GEAR SHIFT	1	
08	9GQL-191314	WARNING DECAL, ENGINE OIL	1	
09	9GQL-191315	WARNING LABEL, 4WD OPERATION	1	
10	9GQL-191316	INSTRUCTION LABEL, FRONT RACK	1	
11	9GQL-191317	INSTRUCTION LABEL, REAR RACK	1	
12	9GQL-191318	INSTRUCTION DECAL, TOWING LOAD	1	
13	9GQ0-190104	LABEL, RELAY	1	
14	30902-0401320	BLIND RIVET	4	4x13

CF400AU-L美规

14



Certification of Compliance
CFMOTO Powersports, Inc.
 certifies that this ATV complies with the American National Standard for Four-Wheel All-Terrain Vehicle ANSI/SVIA 1-2017 and is subject to an approved ATV Action Plan submitted by **CFMOTO Powersports, Inc.**, which is on file with the U.S. Consumer Product Safety Commission.
CFMOTO Powersports, Inc.
 9058-190408-1 US13C



Start auxiliary relay	Fuel pump relay	Brake relay	4x4 drive relay	2x4 drive relay	Fan relay	Low beam light relay	High beam light relay	Day light relay
-----------------------	-----------------	-------------	-----------------	-----------------	-----------	----------------------	-----------------------	-----------------

9GQ0-190104 EU173

Vehicle Evaporative Emission Control Information
 MFG by Zhejiang CFMOTO Power CO., LTD.
 Imported by CFMOTO Powersports, Inc.
 Evaporative Family Name: LCMAU0040E02
 Evaporative Emission Control System: EVAP Canister and PR Valve
 Model name: CF400AU-L
 This all-terrain vehicle conforms to California evaporative emissions regulations application to 2020 model-year new all-terrain vehicle, is certified to 1 gram TOG/day evaporative emission standard in California.
 No other adjustments needed.

F19-2-E-V3 WARNING DECAL(NA)

Item No.	Parts Number	Parts Name(EN)	Qty	Specification
01	905C-190401	WARNING PLATE, DRIVING	1	
02	905C-190402	WARNING LABEL, PASSENGER	1	
03	905C-190403	WARNING PLATE, DRIVERS AGE	1	
04	9GQ0-190201	INSTRUCTION PLATE, TIRE PRESSURE AND LOAD	1	INSTRUCTION PLATE, TIRE PRESSURE AND LOAD
05	905B-190408-10000	DECLARATION DECAL	1	
06	7020-190304	INSTRUCTION LABEL, FRONT RACK LOAD	1	
07	7020-190305	INSTRUCTION DECAL, REAR RACK LOAD	1	
08	905B-190411	INSTRUCTION LABEL, TOWING LOAD	1	
09	9010-190002	WARNING LABEL, 4WD OPERATION	1	
10	905B-190413	WARNING DECAL, ENGINE OIL	1	
11	9010-190013	INSTRUCTION LABEL, GEAR SHIFT	1	
12	9CR6-190204	DECAL, EMISSION CONTROL	1	EPA
13	9GQ0-190202-50000	EPA	1	2020@49 STATES
13	9GQ0-190202-70000	EPA	1	2020@50 STATES
14	9GQ0-190203	HANDLEBAR TAG	1	
15	9010-190015	VIN PLATE	1	NA
15	7020-191312	VIN PLATE	1	CANADA
16	9GQ0-190104	LABEL, RELAY	1	
17	905B-190412	LABEL, EXHAUST GAS RECYCLING DRAWING	1	
18	905C-190405-US13C	ANSI TAG	1	ANSI TAG
19	905B-190503	DECAL, FUEL TANK	1	
20	30306-040112	WASHER	4	4
21	30902-0401320	BLIND RIVET	4	4x13
22	9GQA-190003	EVAP PLATE	1	2020@50 STATES

CF400AU-L欧规

1 **WARNING**
NEVER carry passengers on this carrier
MAXIMUM LOAD: 20 kg (44.1 lbs)

2 **WARNING**
NEVER carry passengers on this carrier
MAXIMUM LOAD: 40 kg (88.2 lbs)

3 **MAXIMUM LOADING LIMIT**
PULLING LOAD: 1470 N (150 kgf)
330 lbs
TONGUE WEIGHT: 294 N (30 kgf)
66 lbs

4 **WARNING**
passengers **under 12** are prohibited.
passenger should be well seated & hold tight the handgrip.
7020-190303-1164

5 **NOTICE**
Check engine oil every 500 kilometers (310 miles)
Vérifier le niveau d'huile moteur tous les 500 kilomètres (310 miles)
905B-190413-0513C

6 **WARNING**
Improper tire pressure or overloading can cause loss of control. Loss of control can result in severe injury or death.
●Cold tire pressure:
Front:AT24×8-12 8 psi(56 kPa)
AT25×8-12 6.5 psi(45 kPa)
Rear:AT24×10-12 6 psi(42 kPa)
AT25×10-12 6.5 psi(45 kPa)
9GQ0-190101 EU*54

7 **WARNING**
UNDER 16
Operating this ATV if you are under the age of 16 increases your chance of severe injury or death.
NEVER operate this ATV if you are under age 16
7020-190101 9104

8 **WARNING**
Improper ATV use can result in SEVERE INJURY or DEATH.
ALWAYS USE AN APPROVED HELMET AND PROTECTIVE GEAR
NEVER USE WITH DRUGS OR ALCOHOL
NEVER operate :
• without proper training or instruction.
• at speeds too fast for your skills or the conditions.
ALWAYS :
• use proper riding techniques to avoid vehicle overturns on hills and rough terrain and in turns.
• avoid paved surfaces-pavement may seriously affect handling and control.
LOCATE AND READ OWNER'S MANUAL. FOLLOW ALL INSTRUCTIONS AND WARNINGS.
7020-190104 EU1104

9 **DRIVE SELECT LEVER**
• Read owner's manual carefully before operating.
• ATV **MUST** be stopped before shifting select lever.
• Shifting into or from reverse or park is impossible without applying rear brake

10 **WARNING**
Turning the vehicle in 4WD-LOCK ("DIFF.LOCK") takes more effort.
Operate at a slow speed and allow extra time and distance for maneuvers to avoid loss of control.
9010-190002-051313

11 **WARNING**
Never carry more than one passenger!
Never drive with a passenger unless passenger seat is securely in place!
Passenger must hold firmly the handgrips during riding!

12 ZHEJIANG CFMOTO POWER CO., LTD.
"4"5802/24"3471"
9054 (A) -030104/0104

13

Start auxiliary relay	Fuel pump relay	Brake relay	4x4 drive relay	2x4 drive relay	Fan relay	Low beam light relay	High beam light relay	Day light relay
-----------------------	-----------------	-------------	-----------------	-----------------	-----------	----------------------	-----------------------	-----------------

9GQ0-190104 EU173

F19-2-F WARNING DECAL (EURO)

Item No.	Parts Number	Parts Name(EN)	Qty	Specification
01	7020-190304	INSTRUCTION LABEL, FRONT RACK LOAD	1	
02	7020-190305	INSTRUCTION DECAL, REAR RACK LOAD	1	
03	905B-190411	INSTRUCTION LABEL, TOWING LOAD	1	
04	7020-190103	WARNING DECAL, PASSENGER	1	
05	905B-190413	WARNING DECAL, ENGINE OIL	1	
06	9GQ0-190101	INSTRUCTION DECAL, TIRE PRESSURE AND LOAD	1	
07	7020-190101	WARNING DECAL, DRIVERS AGE	1	
08	7020-190104	DECAL, DRIVE WARNING	1	
09	9010-190013	INSTRUCTION LABEL, GEAR SHIFT	1	
10	9010-190002	WARNING LABEL, 4WD OPERATION	1	
11	901A-190014	DECAL, SAFETY WARNING	1	
12	9GQL-190011	VIN PLATE	1	VIN PLATE
13	9GQ0-190104	LABEL, RELAY	1	
14	30902-0401320	BLIND RIVET	3	4x13



EPS贴花×2

77×22

7020-191005

F19-2-G EEPS DECAL

Item No.	Parts Number	Parts Name(EN)	Qty	Specification
01	7020-191005	EPS DECAL	1	

⚠️ WARNING!/AVERTISSEMENT!

THIS VEHICLE IS AN ALL-TERRAIN VEHICLE AND IS NOT INTENDED FOR USE ON PUBLIC HIGHWAYS.

CE VÉHICULE EST UN VÉHICULE TOUT-TERRAIN ET N'EST PAS DESTINÉ À ÊTRE UTILISÉ SUR LES CHEMINS PUBLICS.

7020-191313 US171


F19-2-H WARNING DECAL(CMI, FRENCH)

Item No.	Parts Number	Parts Name(EN)	Qty	Specification
01	7020-191313	WARNING LABEL, FRENCH	1	


巴西FM客户 CF400AU-L

AVISO

O uso incorreto do quadriciclo pode causar lesões ou até a morte.



Sempre use equipamentos aprovados pelo INMETRO



Nunca use sob efeito de drogas ou álcool

NUNCA opere:
 . sem treinamento ou instruções apropriadas; em velocidades altas para suas habilidades.

SEMPRE:
 . use técnicas apropriadas para evitar que o quadriciclo tombe em montanhas ou terrenos irregulares.
 . evite superfícies pavimentadas, podendo estas afetar o controle do quadriciclo.

Localize e leia atentamente o manual do usuário e siga todas as instruções e avisos.

9GQL-191102 EU15C

驾驶警告贴花 114×177
9GQL-191102

ATENÇÃO

Mudar para 4WD-LOCK (bloqueio diferencial) exige maior esforço do produto. Opere em velocidade reduzida e faça manobras com cautela para evitar a perda de controle.

9GQL-191106 EU15C

四驱行驶操作警告贴花
9GQL-191106

ATENÇÃO

A calibragem incorreta dos pneus ou o excesso de peso podem causar perda de controle. A perda de controle pode resultar em danos severos ou morte.

• Pressão dos pneus:

Diant: AT24x8-12 8 psi (56 kPa)
 AT25x8-12 6.5 psi (45 kPa)
 Tras: AT24x10-12 6 psi (42 kPa)
 AT25x10-12 6.5 psi (45 kPa)

9GQL-191103 EU15C

轮胎气压及负荷说明贴花 80×105
9GQL-191103

LIMITE MÁXIMO DE CARGA

Carga máxima: 1470 N (150 kgf)
 330 lbs
 Carga do engate: 294 N (30 kgf)
 66 lbs

9GQL-191111 EU15C

拖挂载荷说明贴花 62×23
9GQL-191111

ATENÇÃO

NUNCA carregue passageiros nesse bagageiro.
Carga máxima: 20 kgs

9GQL-191112 EU15C

前货架载荷说明贴花
9GQL-191112

ATENÇÃO

NUNCA carregue passageiros nesse bagageiro.
Carga máxima: 40 kgs

9GQL-191113 EU15C

后货架载荷说明贴花
9GQL-191113

ATENÇÃO

MINORES DE 16

Para menores de 16 anos, operar este quadriciclo aumentam as chances de sofrer acidentes ou até morte.

NUNCA opere este quadriciclo se você for menor de 16 anos.

9GQL-191104 EU15C

驾驶员年龄警告贴花 77×85
9GQL-191104

品牌贴花
9GQL-191101
60×50



CFMOTO DA AMAZÔNIA INDÚSTRIA E COMÉRCIO DE VEÍCULOS LTDA.
 CNPJ 29.401.549/0001-70 INDÚSTRIA BRASILEIRA
 CFMOTO CFORCE 450S/L

☆XXXXXXXXXXXXXXXXXX☆

PRODUZIDO NO PÓLO INDUSTRIAL DE MANAUS
 CONHEÇA A AMAZÔNIA

9GQV-190011-1500

车辆铭牌 9GQV-190011-1500

ATENÇÃO

É PROIBIDO passageiros menores de 12 anos. Os passageiros devem estar bem acomodados e se segurarem nos apoios de mão.

9GQL-191105 EU15C

乘员警告贴花 85×60
9GQL-191105

ATENÇÃO

Nunca carregue mais do que 1 passageiro. Nunca transporte passageiro que não esteja sentado e completamente seguro. O passageiro DEVE segurar firme no apoio de mão durante o percurso.

9GQL-191107 EU15C

安全警告说明贴花
9GQL-191107

MUDANÇA DE MARCHA

. Leia atentamente o manual do usuário antes de operar o produto.
 . O quadriciclo DEVE estar parado ao realizar a troca de marcha.
 . É necessário pressionar o freio para engatar a ré ou park (P).

9GQL-191108 EU15C

换挡操作说明贴花 40×75
9GQL-191108

AVISO

Verificar o óleo do motor a cada 500 quilômetros (310 milhas)

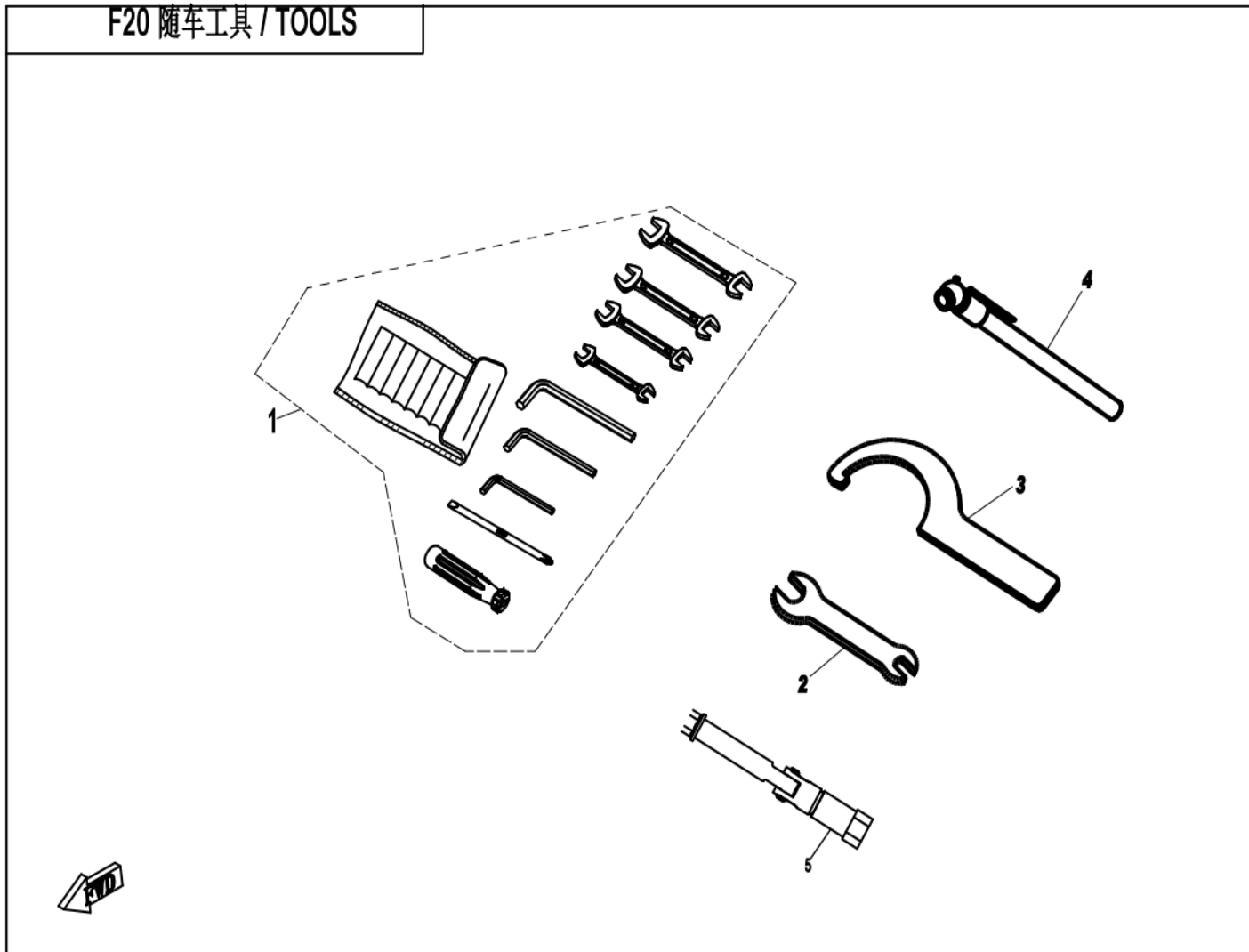
9GQL-191109 EU15C

发动机机油警告贴花 60×30
9GQL-191109

F19-2-I WARNING DECAL(Brazil)

Item No.	Parts Number	Parts Name(EN)	Qty	Specification
01	9GQL-191101	BRAND DECAL	4	
02	9GQL-191102	DECAL, DRIVE WARNING	1	
03	9GQL-191103	INSTRUCTION DECAL, TIRE PRESSURE AND LOAD	1	
04	9GQL-191104	WARNING DECAL, DRIVERS AGE	1	
05	9GQL-191105	WARNING DECAL, PASSENGER	1	
06	9GQL-191106	WARNING LABEL, 4WD OPERATION	1	
07	9GQL-191107	DECAL, SAFETY WARNING	1	
08	9GQL-191108	INSTRUCTION LABEL, GEAR SHIFT	1	
09	9GQL-191109	WARNING DECAL, ENGINE OIL	1	
10	9GQL-191111	INSTRUCTION LABEL, TOWING LOAD	1	
11	9GQL-191112	INSTRUCTION LABEL, FRONT RACK LOAD	1	
12	9GQL-191113	INSTRUCTION DECAL, REAR RACK LOAD	1	
13	9GQV-190011-1500	VEHICLE PLATE	1	

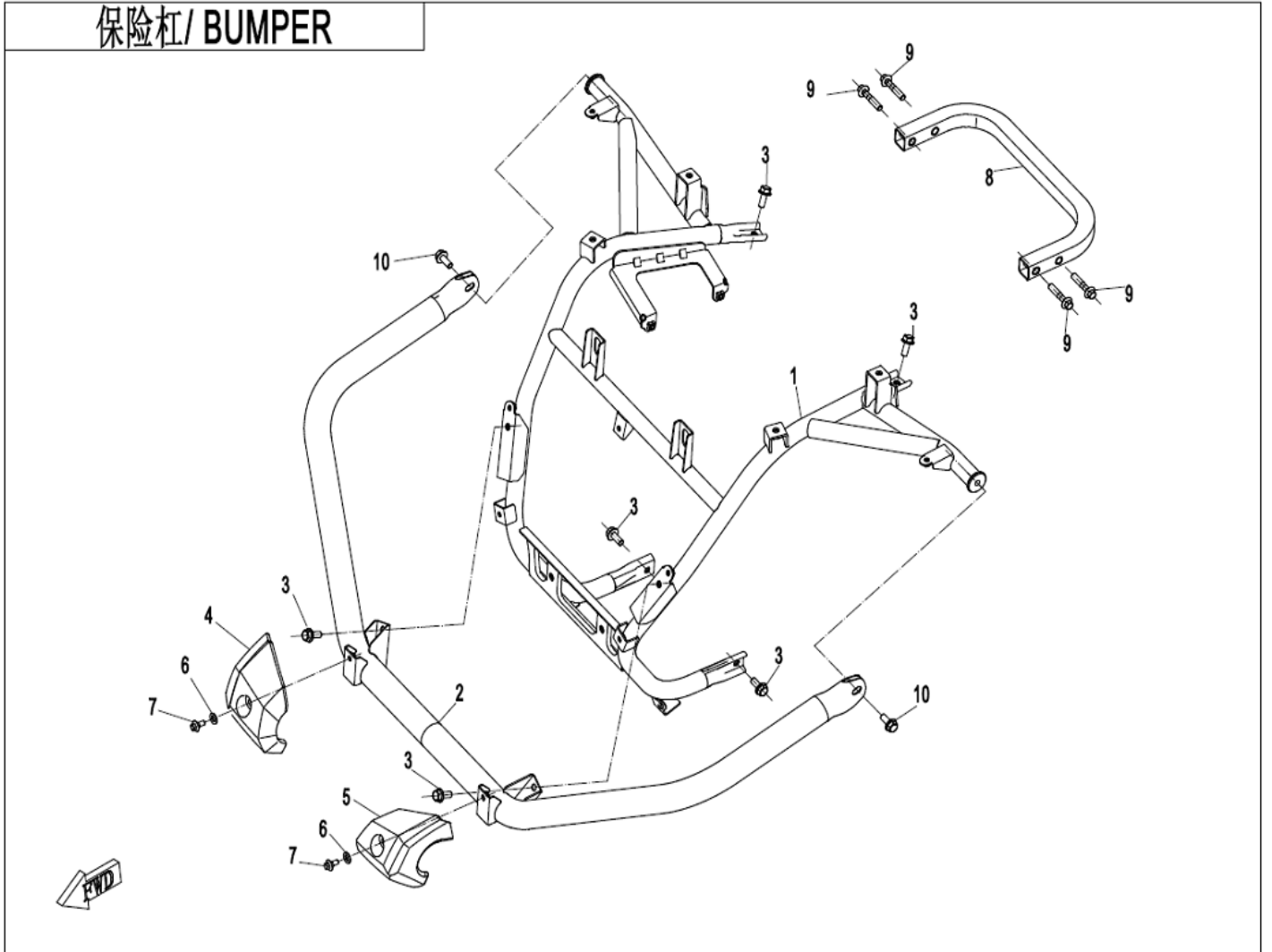
F20 随车工具 / TOOLS



F20-V2 TOOLS

Item No.	Parts Number	Parts Name(EN)	Qty	Specification
01	7000-200100	TOOLS	1	
02	9010-203002	SHIFTING WRENCH	1	
03	9010-203001	ADJUSTING WRENCH, SHOCK ABSORBER	1	
04	TFQ002	TIRE PRESSURE PEN	1	
05	A000-200310	WRENCH, SPARK PLUG	1	

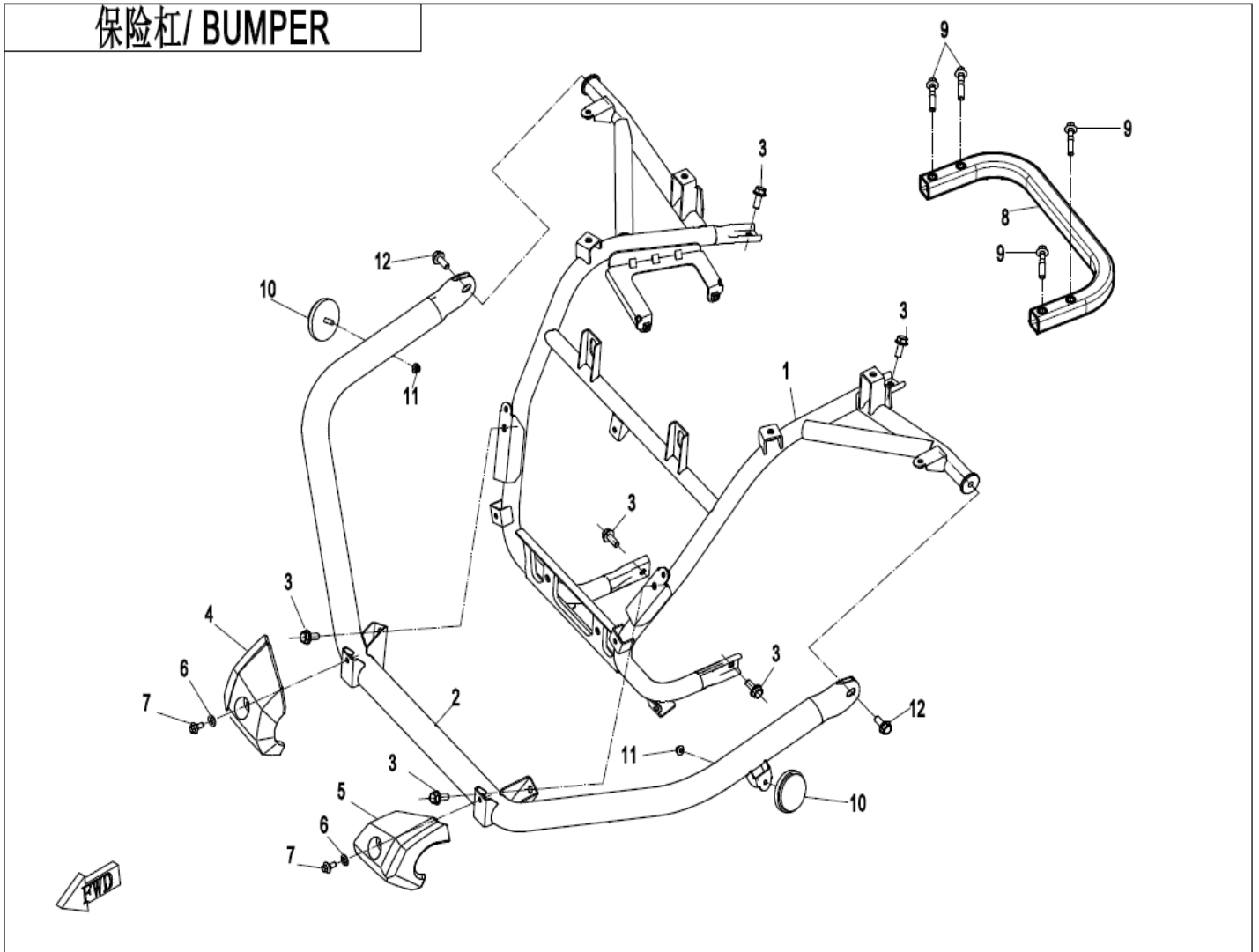
保险杠/ BUMPER



F23-A BUMPER

Item No.	Parts Number	Parts Name(EN)	Qty	Specification
01	9GQV-033000-1500	FRONT BRACKET ASSY	1	
02	9GQ0-231000-00001	FRONT BUMPER ASSY	1	
03	30006-080016810	BOLT M8x16	6	M8x16
04	9GQ0-041043-10000	RH DAMPER	1	
05	9GQ0-041042-10000	LH DAMPER	1	
06	30306-100110	WASHER	2	10
07	8010-000004	BOLT M6x14	2	M6x14
08	9GQ0-232000-20000	REAR BUMPER ASSY	1	
09	30006-080040810	BOLT M8x40	4	M8x40
10	30006-080020810	BOLT M8x20	2	M8x20

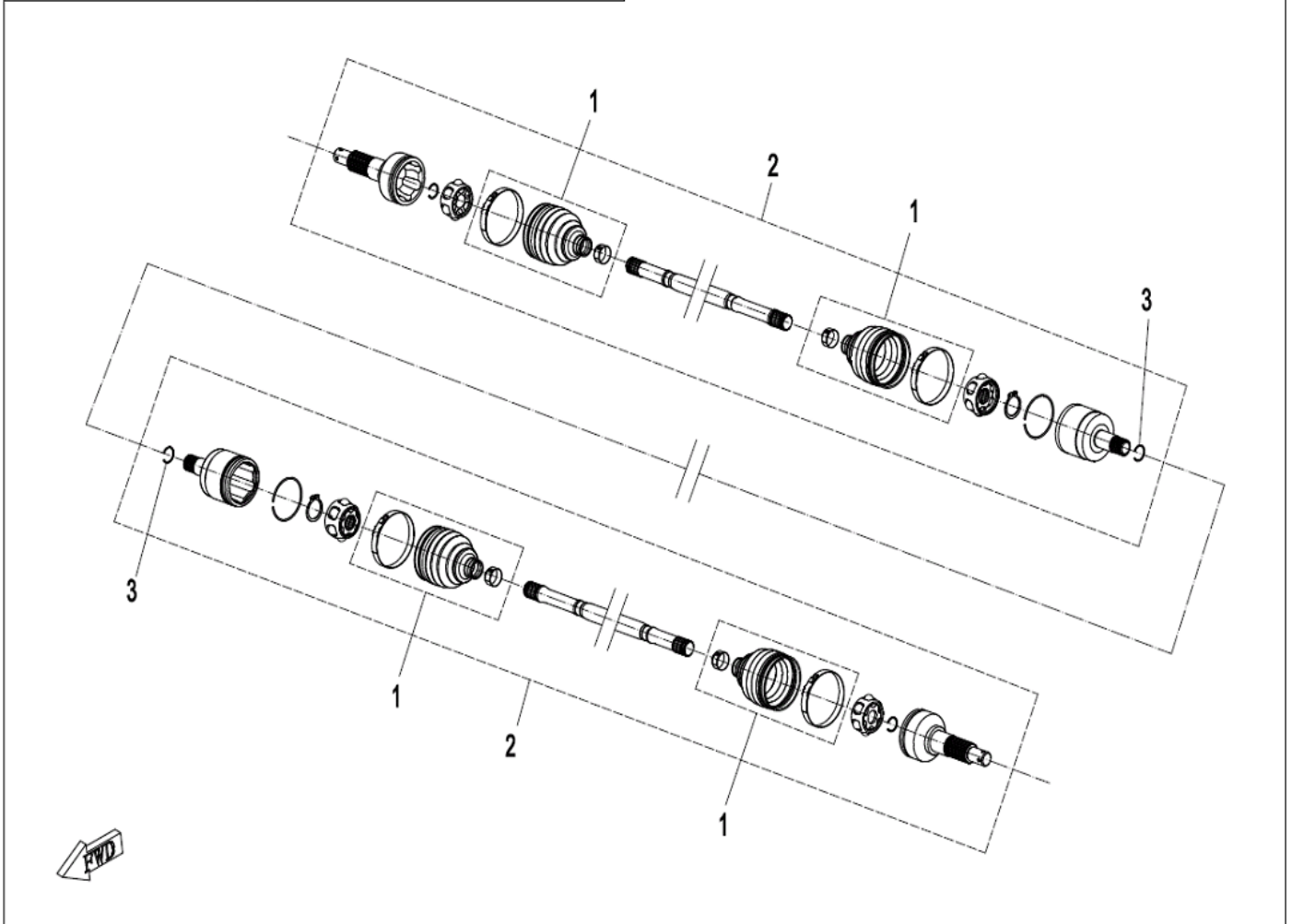
保险杠/ BUMPER



F23-B-V2 BUMPER(ONLY FOR CANADA)

Item No.	Parts Number	Parts Name(EN)	Qty	Specification
01	9GQV-033000-1500	FRONT BRACKET ASSY	1	
02	9GQ0-231000-10000	FRONT BUMPER	1	PLASTIC POWDER
03	30006-080016810	BOLT M8x16	6	M8x16
04	9GQ0-041043-10000	RH DAMPER	1	
05	9GQ0-041042-10000	LH DAMPER	1	
06	30306-100110	WASHER	2	10
07	8010-000004	BOLT M6x14	2	M6x14
08	9GQ0-232000-20000	REAR BUMPER ASSY	1	
09	30006-080040810	BOLT M8x40	4	M8x40
10	9GQV-160920-1401-M1	FRONT SIDE REFLECTOR	2	
11	30204-060810	NUT M6	2	M6
12	30006-080020810	BOLT M8x20	2	M8x20

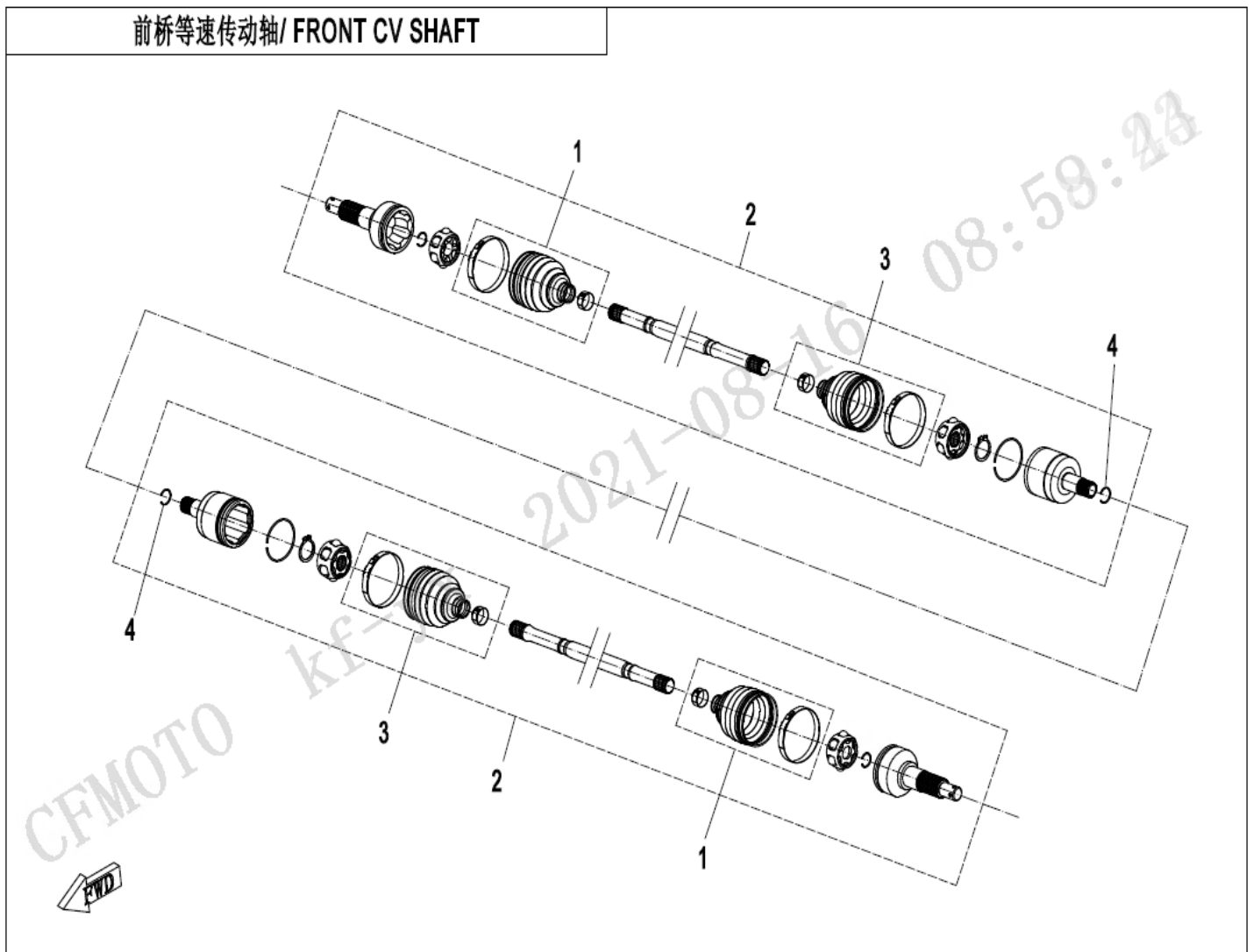
前桥等速传动轴 / FRONT CV SHAFT



F27-A-V2 FRONT CV SHAFT(ODM)

Item No.	Parts Number	Parts Name(EN)	Qty	Specification
*	9GQA-2703A0	FRONT CV DRIVE SHAFT KIT	2	ODM
01	9GQ0-280150	DUST BOOT KIT, FIXED END	4	
02	9GQA-270300	FRONT CV DRIVE SHAFT	2	
03	9010-270203-00001	WIRE CIRCLIP	2	

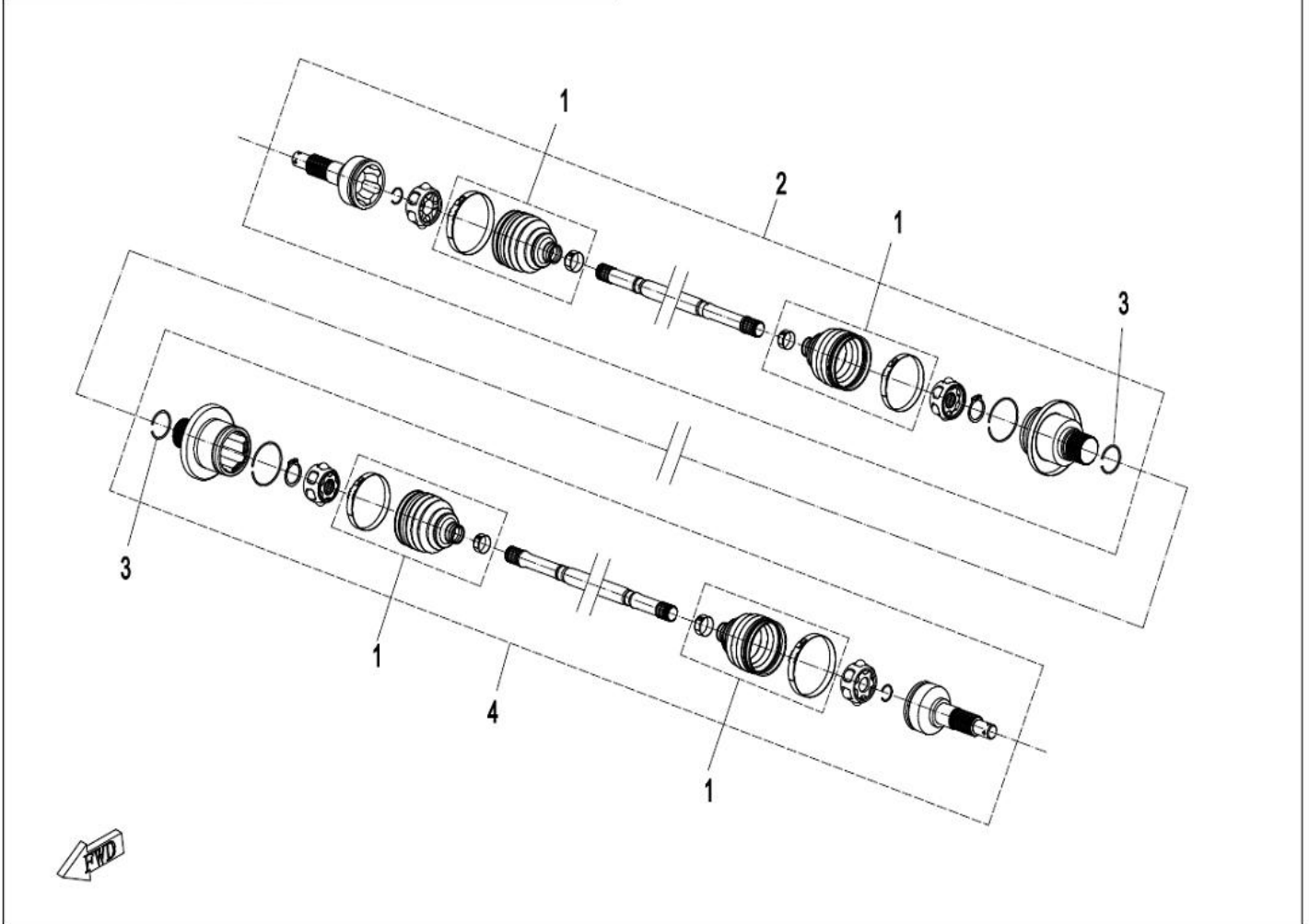
前桥等速传动轴/ FRONT CV SHAFT



F27-B FRONT CV SHAFT(SPS)

Item No.	Parts Number	Parts Name(EN)	Qty	Specification
01	9GQV-2703A0	DUST BOOT KIT	2	
02	9GQV-270300-1400-M2	FRONT CV DRIVE SHAFT	2	
03	9GQV-2703B0	DUST BOOT KIT	2	
04	9010-270203-00001	WIRE CIRCLIP	2	

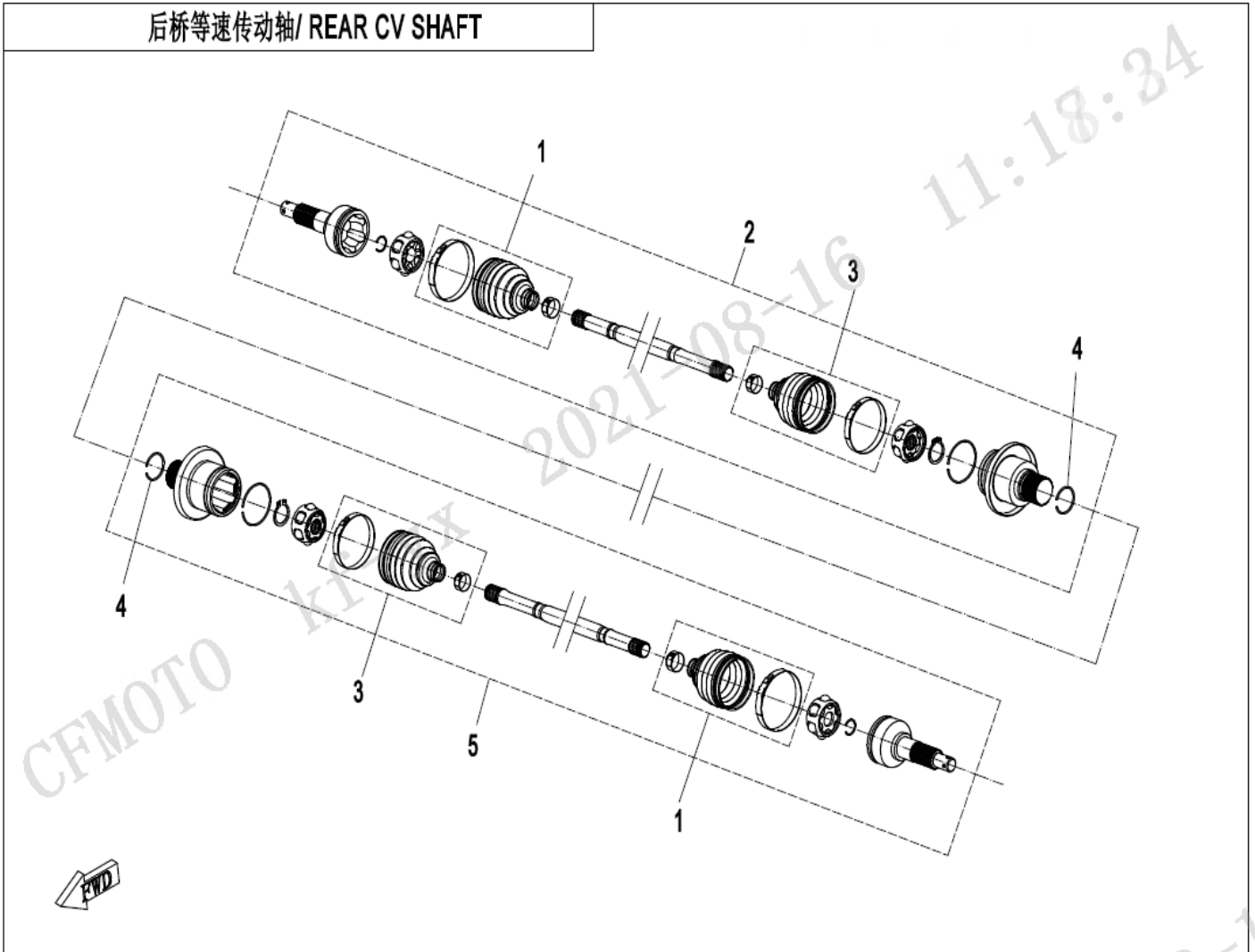
F28 后桥等速传动轴/ REAR CV SHAFT



F28-A-V2 REAR CV SHAFT(ODM)

Item No.	Parts Number	Parts Name(EN)	Qty	Specification
*	9GQS-2801A0	FRONT CV DRIVE SHAFT KIT, LH	1	ODM
*	9GQS-2802A0	FRONT CV DRIVE SHAFT KIT, RH	1	ODM
01	9GQ0-280150	DUST BOOT KIT, FIXED END	4	
02	9GQS-280200	REAR CV DRIVE SHAFT, RH	1	
03	9010-280102-00001	WIRE CIRCLIP	2	
04	9GQS-280100	REAR CV DRIVE SHAFT, LH	1	

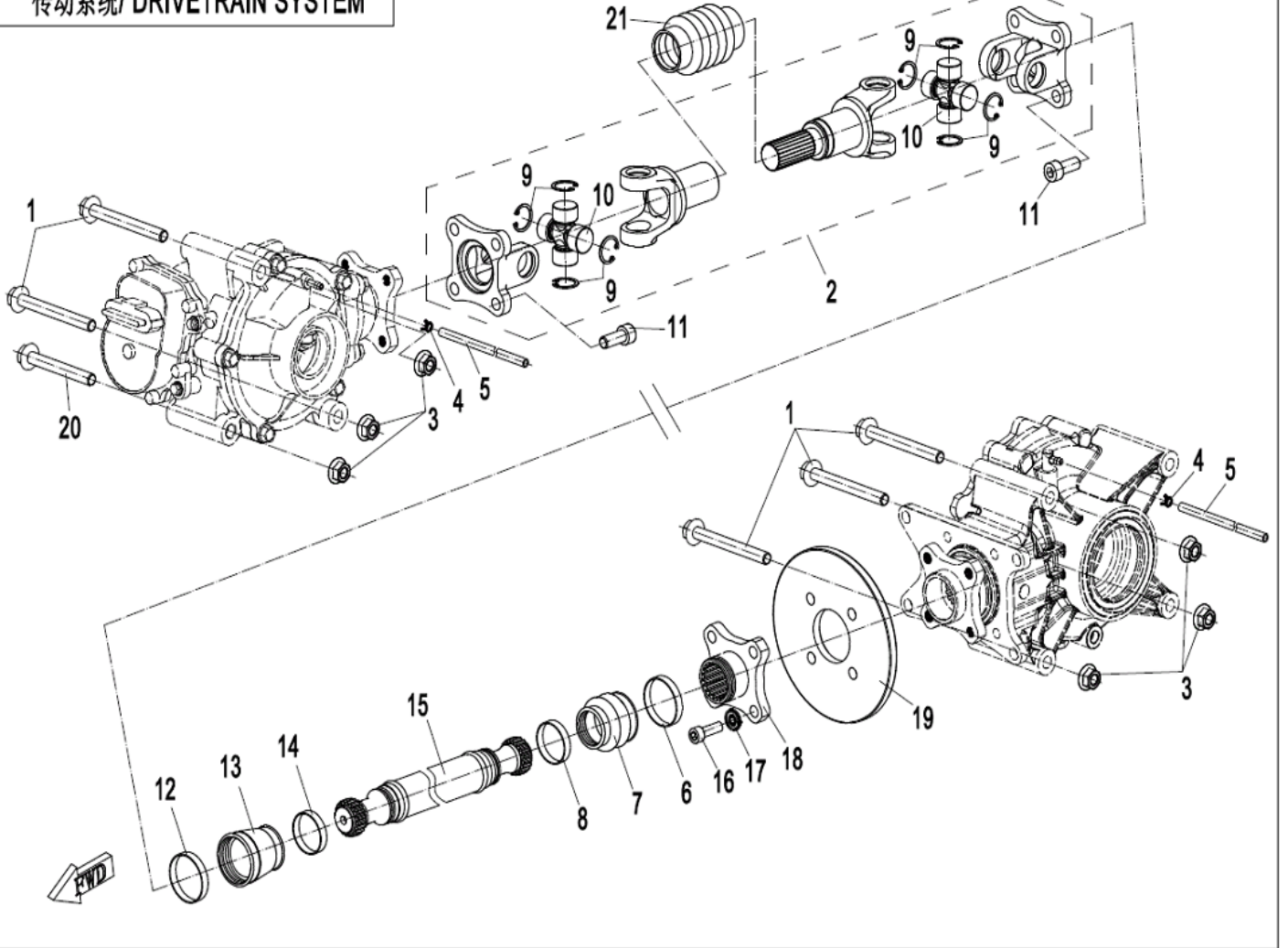
后桥等速传动轴/ REAR CV SHAFT



F28-B REAR CV SHAFT(SPS)

Item No.	Parts Number	Parts Name(EN)	Qty	Specification
01	9GQV-2703A0	DUST BOOT KIT	2	
02	9GQV-280100-1400-M2	REAR CV DRIVE SHAFT, LH	1	
03	9GQV-2703B0	DUST BOOT KIT	2	
04	9010-280102-00001	WIRE CIRCLIP	2	
05	9GQV-280200-1400-M2	REAR CV DRIVE SHAFT, RH	1	

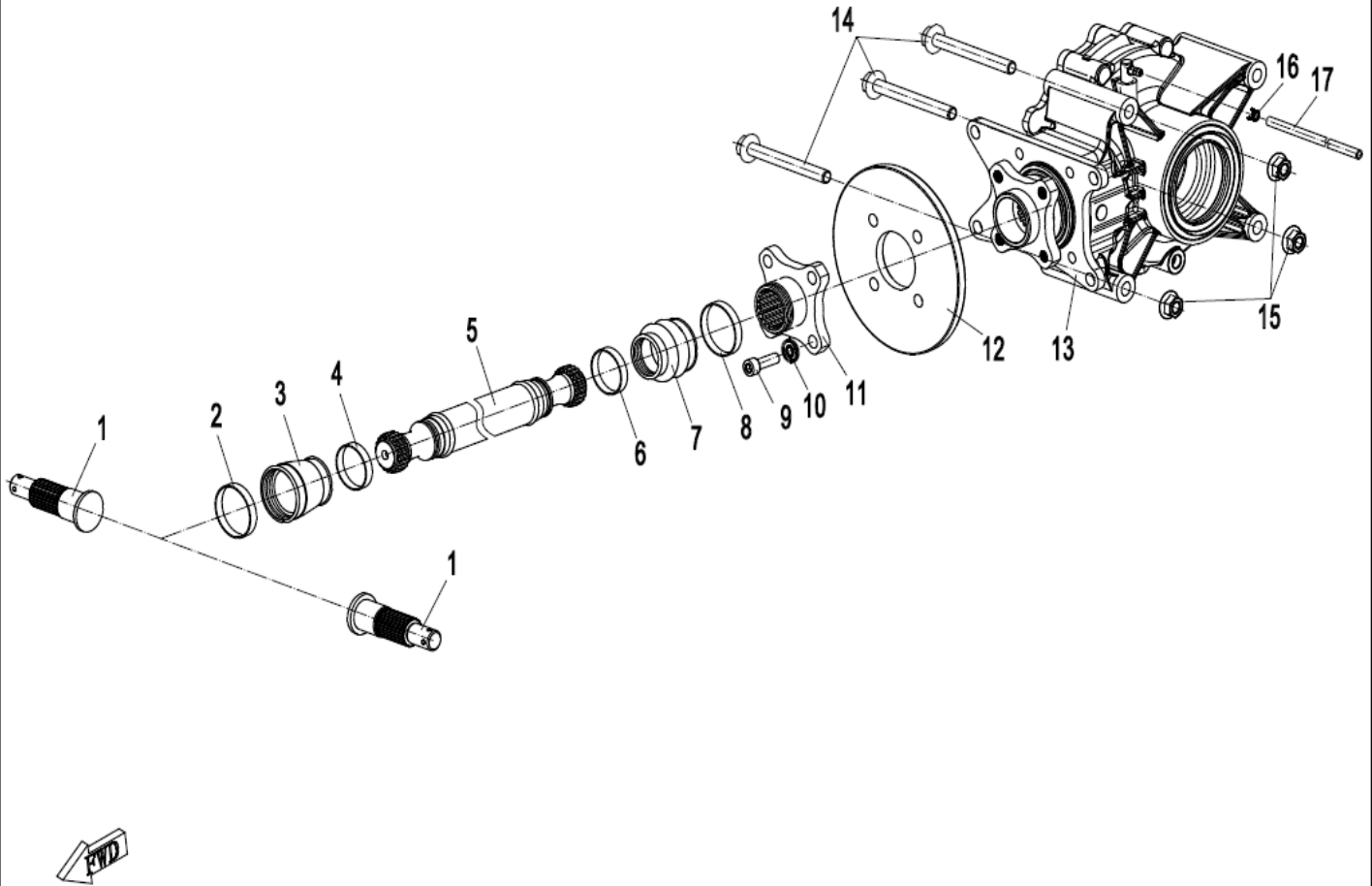
传动系统/ DRIVETRAIN SYSTEM



F30-A-V2 DRIVETRAIN SYSTEM

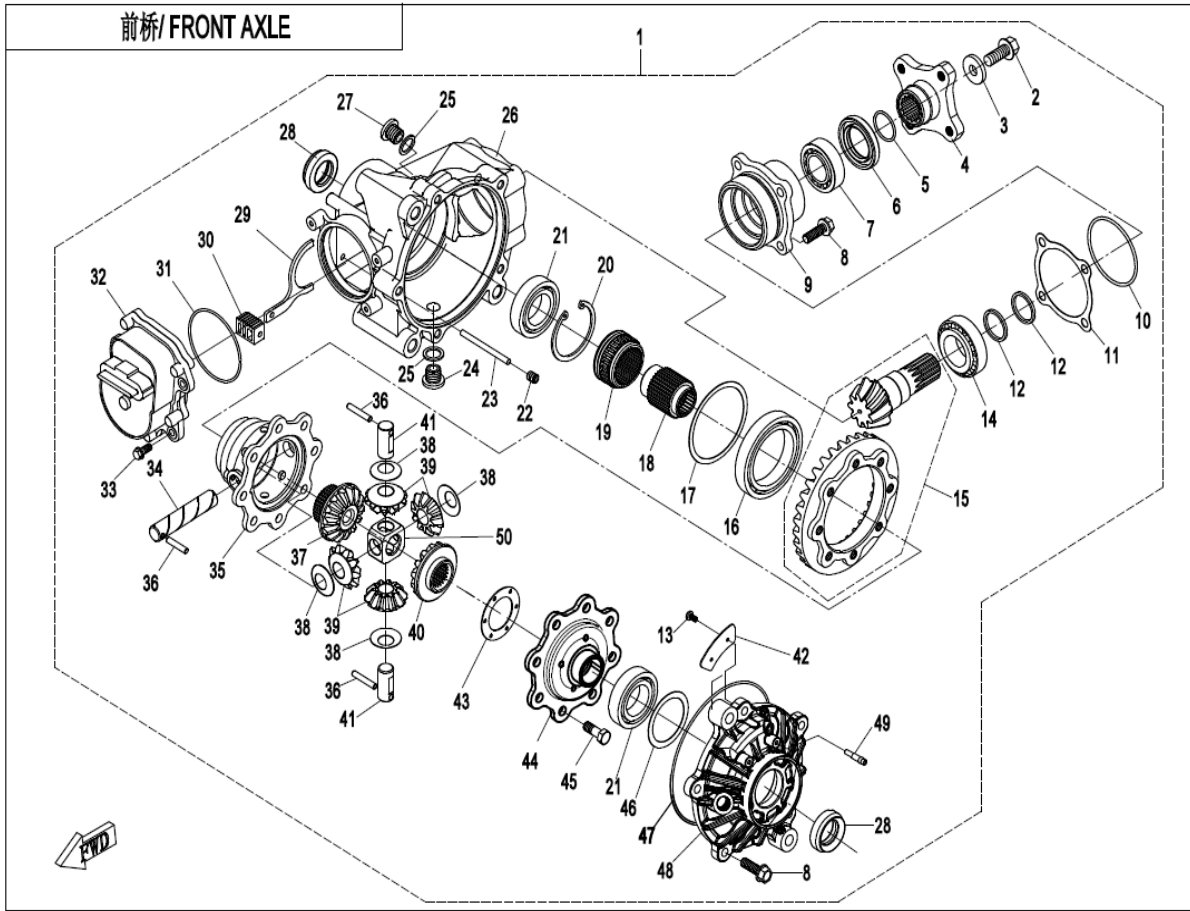
Item No.	Parts Number	Parts Name(EN)	Qty	Specification
01	30006-102110110	BOLT M10x1.25x110	5	M10x1.25x110
02	9GQ0-290200-00001	FRONT DRIVE SHAFT	1	
03	30204-102810	NUT M10x1.25	6	M10x1.25
04	30601-108010	CLAMP A8	2	A8
05	9010-310001	BREATHER HOSE, FRONT GEAR CASE	2	
06	9CR6-300202	BIG CLAMP	1	
07	9CR6-300203-10000	DUST BOOT	1	
08	9CR6-300204	SMALL CLAMP	1	
09	30800-02205	CIRCLIP FOR HOLE	8	22
10	9GQ0-290210	CROSS SHAFT, UNIVERSAL JOINT	2	
11	30102-102025810	SCREW M10x1.25x25	8	M10x1.25x25
12	9GQ0-290104	BIG CLAMP	1	
13	9GQ0-290103-10000	DUST BOOT	1	
14	9GQ0-290102	SMALL CLAMP	1	
15	9CRB-300110	REAR CORE SHAFT	1	
16	9010-300001	BOLT M10x1.25x30	4	M10x1.25x30
17	9010-300002	WASHER Dia 10	4	Dia 10
18	9CR6-300206-10000	DRIVE SLEEVE, REAR GEAR CASE	1	
19	7020-080002	REAR BRAKE DISC	1	FOUR HOLES INSTEAD OF SIX HOLES OF INSTALLATION STRUCTURE
20	30006-102090810	BOLT M10x1.25x90	1	M10x1.25x90
21	7000-290001	DUST BOOT	1	
21	700V-290001-1700	DUST BOOT	1	

传动系统 DRIVETRAIN SYSTEM



F30-B-V2 DRIVETRAIN SYSTEM(2WD)

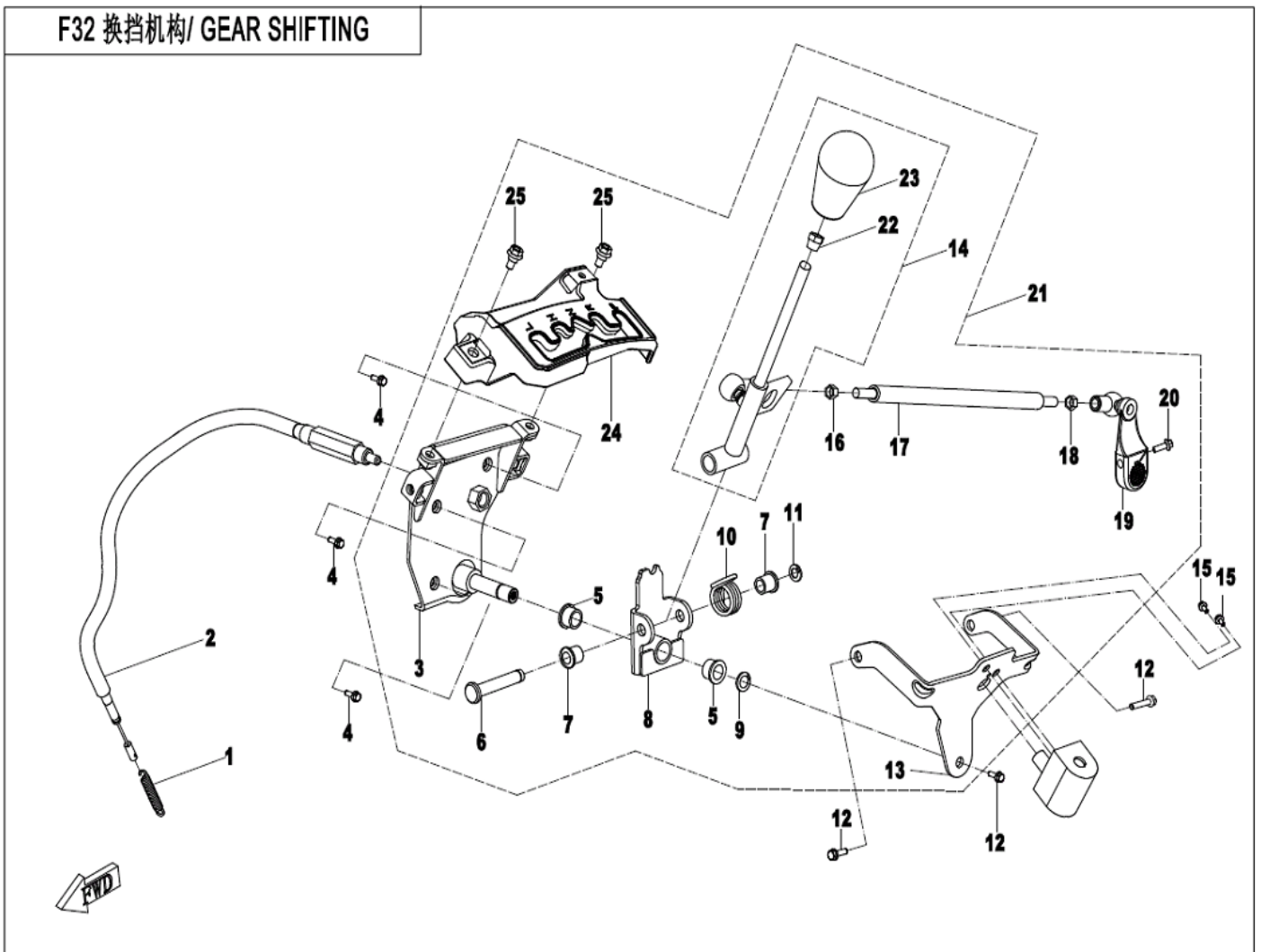
Item No.	Parts Number	Parts Name(EN)	Qty	Specification
01	9GQS-270301	FRONT WHEEL SHAFT, 2WD	2	
02	9GQ0-290104	BIG CLAMP	1	
03	9GQ0-290103-10000	DUST BOOT	1	
04	9GQ0-290102	SMALL CLAMP	1	
05	9CRB-300110	REAR CORE SHAFT	1	
06	9CR6-300204	SMALL CLAMP	1	
07	700V-290001-1700	DUST BOOT	1	
08	9CR6-300202	BIG CLAMP	1	
09	9010-300001	BOLT M10x1.25x30	4	M10x1.25x30
10	9010-300002	WASHER Dia 10	4	Dia 10
11	9CR6-300206-10000	DRIVE SLEEVE, REAR GEAR CASE	1	
12	7020-080002	REAR BRAKE DISC	1	FOUR HOLES INSTEAD OF SIX HOLES OF INSTALLATION STRUCTURE
13	Q520-330000	REAR GEAR CASE ASSY	1	
13	Q520-330000-00001	REAR GEAR CASE ASSY	1	
14	30006-102110110	BOLT M10x1.25x110	3	M10x1.25x110
15	30204-102810	NUT M10x1.25	3	M10x1.25
16	30601-108010	CLAMP A8	1	A8
17	9010-310001	BREATHER HOSE, FRONT GEAR CASE	1	



F31-V4 前桥 FRONT AXLE

Item No.	Parts Number	Parts Name(EN)	Qty	Specification
01	Q830-310000-30002	FRONT GEAR CASE ASSY	1	
02	0GR0-062203	BOLT M10x1.25x20	1	M10x1.25x20
03	0GR0-062204	WASHER 10x27.5x4	1	10x27.5x4
04	Q850-331002	COUPLER	1	
05	0800-062205	O-SEAL RING 25x2	1	25x2
06	0800-062204	OIL SEAL 35x50x7	1	35x50x7
07	30409-02500	BEARING	1	33005(25x47x17)
08	0110-060011-0010	BOLT M8x28	9	M8x28
09	Q830-311002-00001	BEARING SEAT	1	
10	Q830-310006-10000	O-RING 55x2.5	1	55x2.5
11	Q830-310023-00100	ADJUSTING WASHER T=0.20	1	T=0.20
11	Q830-310023-00200	ADJUSTING WASHER T=0.30	1	T=0.30
12	Q830-311003-00100	ADJUSTING WASHER 32x25.4 T=2.10	2	T=2.10
12	Q830-311003-00200	ADJUSTING WASHER 32x25.4 T=2.20	2	T=2.20
12	Q830-311003-00300	ADJUSTING WASHER 32x25.4 T=2.30	2	T=2.30
12	Q830-311003-00400	ADJUSTING WASHER 32x25.4 T=2.40	2	T=2.40
12	Q830-311003-00500	ADJUSTING WASHER 32x25.4 T=2.42	2	T=2.42
12	Q830-311003-00600	ADJUSTING WASHER 32x25.4 T=2.44	2	T=2.44
12	Q830-311003-00700	ADJUSTING WASHER 32x25.4 T=2.46	2	T=2.46
12	Q830-311003-00800	ADJUSTING WASHER 32x25.4 T=2.48	2	T=2.48
12	Q830-311003-00900	ADJUSTING WASHER 32x25.4 T=2.50	2	T=2.50
12	Q830-311003-01000	ADJUSTING WASHER 32x25.4 T=2.60	2	T=2.60
12	Q830-311003-01100	ADJUSTING WASHER 32x25.4 T=2.70	2	T=2.70
12	Q830-311003-01200	ADJUSTING WASHER 32x25.4 T=2.80	2	T=2.80
12	Q830-311003-01300	ADJUSTING WASHER 32x25.4 T=2.90	2	T=2.90
12	Q830-311003-01400	ADJUSTING WASHER 32x25.4 T=3.00	2	T=3.00
13	30105-040008410	SCREW M4x8	2	M4x8
14	30409-03000	BEARING	1	32006(30x55x17)
15	Q830-3100B0	BEVEL GEAR ASSY, FRONT GEAR CASE	1	
16	30400-05500	BEARING	1	61911(55x80x13)
17	Q830-310015-00100	ADJUSTING WASHER 79.5x68 T=0.10	1	T=0.10
17	Q830-310015-00200	ADJUSTING WASHER 79.5x68 T=0.20	1	T=0.20
17	Q830-310015-00300	ADJUSTING WASHER 79.5x68 T=0.30	1	T=0.30
17	Q830-310015-00400	ADJUSTING WASHER 79.5x68 T=0.40	1	T=0.40
17	Q830-310015-00500	ADJUSTING WASHER 79.5x68 T=0.50	1	T=0.50
17	Q830-310015-00600	ADJUSTING WASHER 79.5x68 T=1.00	1	T=1.00
18	Q830-310014	DRIVE CLUTCH COVER	1	
19	Q830-310013	SPLINE BUSHING	1	
20	30800-05505	CIRCLIP FOR HOLE 55	1	55
21	30400-03001	BEARING 30x55x13	2	6006
22	30130-080010810	SCREW M8x10	1	M8x10
23	Q830-310003	PIN SHAFT	1	
24	0180-332100	OIL DRAIN BOLT M14x1.25x12, MAGNETIC	1	M14x1.25x12
25	0180-011006	GASKET 14	2	14
26	Q830-310007-20000	FRONT GEAR CASE	1	
27	0180-021008-0010	BOLT M14x1.25x12	1	M14x1.25x12
28	0180-311001	OIL SEAL 24x38x8	2	24x38x8
29	Q830-310005	SHIFT FORK	1	
30	Q830-310004	RACK	1	
31	Q830-310012-10000	O-RING 67.5x2	1	
32	Q830-314000	MOTOR ASSY, FRONT GEAR CASE	1	
33	0010-023008-0010	BOLT M6x18	3	M6x18
34	0180-313002-10000	CENTER GEAR SHAFT, DIFFERENTIAL	1	
35	Q830-313003-10000	FRONT DIFFERENTIAL CASE	1	
36	30906-0503000	PIN	3	5x30
37	Q830-313004	GEAR, CV SHAFT	1	
38	0181-313011	WEARING RING	4	
39	0180-313003-00004	CENTRAL GEAR, DIFFERENTIAL	4	SURFACE PEENING TREATMENT, THE INNER HOLE TOLERANCE INCREASING
40	0180-313006-00001	DRIVEN GEAR, DIFFERENTIAL	1	
41	Q800-313001	PLANET GEAR SHAFT, SHORT	2	
42	Q830-310022	OIL GUARD	1	
43	Q800-313005-00100	GEAR WASHER	1	t=1.00
43	Q800-313005-00200	GEAR WASHER	1	t=1.20
44	Q830-313001-10000	COUPLER	1	
45	9010-290001	BOLT M8x1x22	8	M8x1x22
46	Q830-310009-00100	ADJUSTING WASHER 54.5x43 T=0.10	1	T=0.10
46	Q830-310009-00200	ADJUSTING WASHER 54.5x43 T=0.20	1	T=0.20
46	Q830-310009-00300	ADJUSTING WASHER 54.5x43 T=0.30	1	T=0.30
46	Q830-310009-00400	ADJUSTING WASHER 54.5x43 T=0.40	1	T=0.40
46	Q830-310009-00500	ADJUSTING WASHER 54.5x43 T=0.50	1	T=0.50
46	Q830-310009-00600	ADJUSTING WASHER 54.5x43 T=1.00	1	T=1.00
47	Q830-310011	O-SEAL RING 130x2	1	
48	Q830-310008-10000	FRONT GEAR CASE COVER	1	
49	0180-311004-0020	JOINT, BREATHER HOSE	1	
50	Q820-333008	CROSS BUSHING	1	

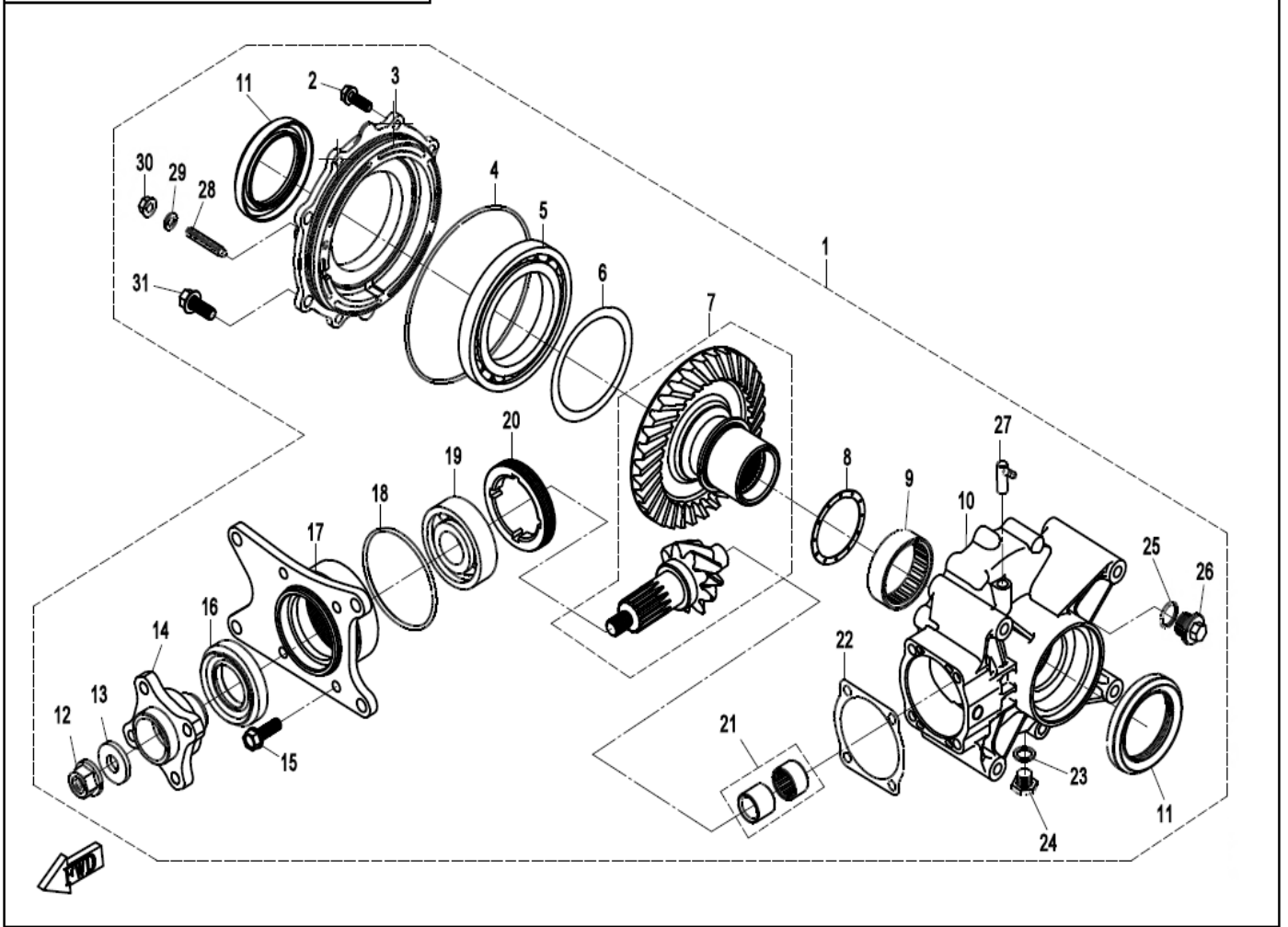
F32 换挡机构/ GEAR SHIFTING



F32 GEAR SHIFTING

Item No.	Parts Number	Parts Name(EN)	Qty	Specification
01	9010-080202	GEARSHIFT SPRING	1	
02	9GQ0-320400	CABLE, PARKING LOCK	1	
03	9GQ0-321100-10000	BASE PLATE, GEAR SHIFT	1	
04	30006-080016810	BOLT M8x16	3	M8x16
05	9CR6-321003	BUSHING, ARM	2	
06	9CR6-321001-00001	PIN SHAFT, GEARSHIFT LEVER	1	
07	9010-320009	NYLON BUSHING	2	
08	9CR6-321200	GEARSHIFT ARM ASSY	1	
09	30802-00805	SPLIT WASHER	1	8
10	9CR6-321002	SPRING, GEARSHIFT LEVER	1	
11	30802-00605	CIRCLIP 6	1	6
12	30006-060016810	BOLT M6x16	3	M6x16
13	9GQ0-321003	FIXING PLATE, LOCK	1	
14	9GQ0-321300	GEARSHIFT LEVER ASSY	1	
15	30107-060012410	SCREW M6x12	2	M6x12
16	30200-060810	NUT M6	1	M6
17	9GQ0-321004	GEARSHIFT ROD	1	
18	30200-06081L	NUT M6	1	M6, LEFT-HAND THREAD
19	9010-320200-2000	ROCKER, GEARSHIFT	1	
20	0010-080013-0010	BOLT M6x22	1	M6x22
21	9GQ0-321000	GEARSHIFT ASSY	1	
21	9GQ0-321000-10000	GEARSHIFT ASSY	1	
22	9CR6-321301	LOCK NUT, GEARSHIFT	1	M8
23	9CR6-321320	KNOB, GEARSHIFT	1	
24	9GQ0-321001	LIMITATOR, GEARSHIFT LEVER	1	
25	8010-000004	BOLT M6x14	2	M6x14

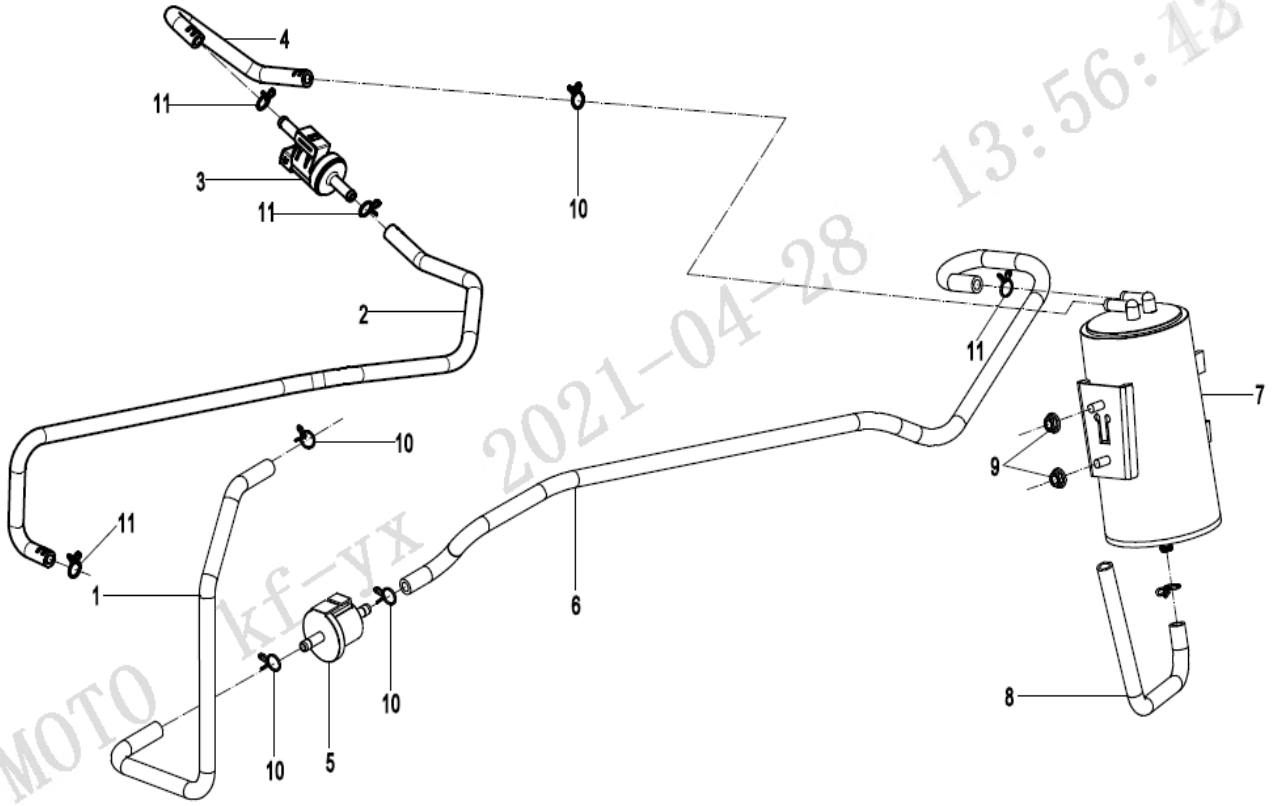
后桥/ REAR AXLE



F33-V2 REAR AXLE

Item No.	Parts Number	Parts Name(EN)	Qty	Specification
01	Q520-330000-00001	REAR GEAR CASE ASSY	1	
02	30008-080025810	BOLT M8x25	6	M8x25
03	0180-334001-0080	RH COVER, REAR GEAR CASE CASE	1	
04	0180-334002	O-SEAL RING 151x3	1	151x3
05	30499-08500	BEARING	1	16017
06	0180-330002-0001	ADJUST GASKET 2	1	ADJUSTING WASHER 100x86x0.3
06	0180-330002-0002	ADJUST GASKET 2	1	ADJUSTING WASHER 100x86x0.4
06	0180-330002	ADJUST GASKET 2	1	ADJUSTING WASHER 100x86x0.2
07	0180-330010-00001	BEVEL GEAR ASSY, REAR GEAR CASE	1	
08	0180-330001	ADJUST GASKET 1	1	ADJUSTING WASHER(1)1.0
08	0180-330001-0001	ADJUST GASKET 1	1	ADJUSTING WASHER(1)1.2
08	0180-330001-0002	ADJUST GASKET 1	1	ADJUSTING WASHER(1)1.4
08	0180-330001-0003	ADJUST GASKET 1	1	ADJUSTING WASHER(1)1.6
08	0180-330001-0004	ADJUST GASKET 1	1	ADJUSTING WASHER(1)1.8
09	30404-05500	NEEDLE BEARING	1	55BTM6720A
10	Q520-332001-00002	REAR GEAR CASE	1	
11	0180-334003	OIL SEAL SD465x90x9NS	2	SD465x90x9NS
12	0180-331009-0020	NUT M12x1.25	1	M12x1.25
13	0180-331008-0050	GASKET 12.5x30x4	1	12.5x30x4
14	Q520-331006	COUPLER, REAR GEAR CASE	1	
15	30008-080035810	BOLT SET M8x35	4	M8x35
16	0180-331007	OIL SEAL 35x61x9(14)	1	35x61x9(14)
17	0180-331005	BEVEL GEAR BEARING HOUSING	1	
18	0180-331004	O-SEAL RING 64.5x3	1	64.5x3
19	30499-02501	BEARING	1	25
20	0180-331003	BEARING RETAINER	1	
21	30403-01700	NEEDLE BEARING	1	NA5903(17x30x18)
22	0180-330003-0001	ADJUST GASKET	1	ADJUST GASKET 0.6
22	0180-330003	ADJUST GASKET	1	ADJUST GASKET 0.5
22	0180-330003-0002	ADJUST GASKET	1	ADJUST GASKET 0.4
23	0180-011006	GASKET 14	1	14
24	0180-332100	OIL DRAIN BOLT M14x1.25x12, MAGNETIC	1	M14x1.25x12
25	0180-332004	O-SEAL RING 19x2.5	1	19x2.5
26	0180-332003-0010	BOLT M20x1.5x12	1	M20x1.5x12
27	0180-332006	PIPE JOINT	1	
28	0180-334005-0010	INNER HEX SCREW M8x45	1	M8x45
29	0180-334004	GASKET 8.2x15x1.5	1	8.2x15x1.5
30	0180-334006-0010	NUT M8	1	M8
31	0180-330004-0010	BOLT M10x1.25x25	1	M10x1.25x25

燃油蒸发系统/ FUEL VAPORIZATION SYSTEM



F36-V2 FUEL VAPORIZATION SYSTEM

Item No.	Parts Number	Parts Name(EN)	Qty	Specification
01	9CR7-360005	FUEL VAPOR HOSE I	1	
02	9DQV-360004-6001	FUEL VAPOR DESORPTION HOSE 2	1	
03	1F30-172000	CANISTER MAGNETIC VALVE	1	
04	9DQV-360003-6001	FUEL VAPOR DESORPTION HOSE 1	1	
05	9GQ0-360100	TWO-WAY VALVE	1	
06	9DQ#-360002-6000	FUEL VAPOR ADSORPTION HOSE 2	1	
07	9AWA-360200	CANISTER	1	
08	A000-360006	AIR PIPE, CANISTER	1	
09	30202-060110	NUT M6	2	M6
10	30601-111010	CLAMP A11	4	A11
11	30601-112010	CLAMP A12	4	A12

CFORCE400

 **CFMOTO**

CF400AU CF400AU-L
OWNER'S MANUAL

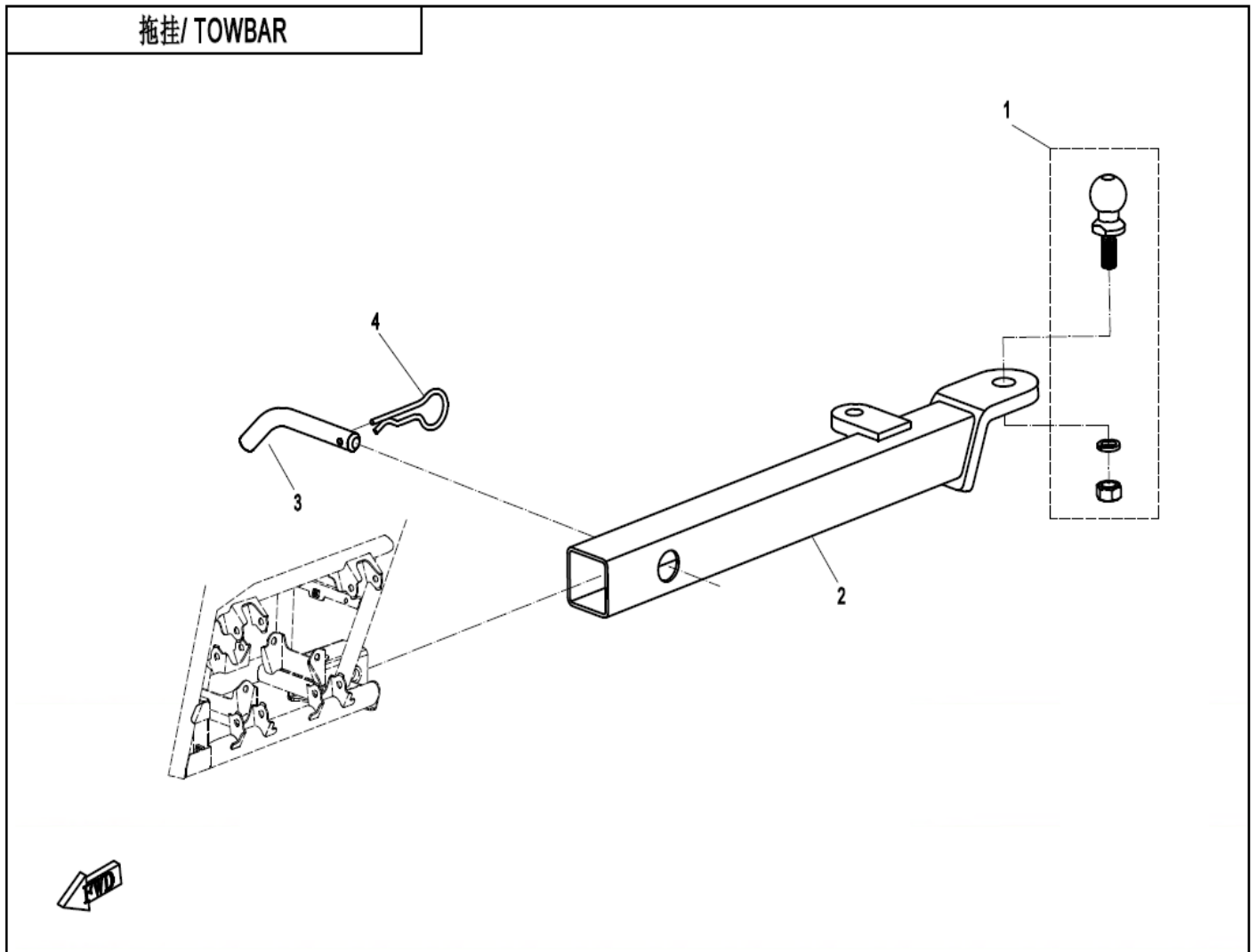
READ THIS MANUAL CAREFULLY
It contains important safety information

This ATV should not be ridden by anyone under 16
years of age. Passenger under 12 are prohibited.
This ATV is an off-road vehicle.

F38 OWNER'S MANUAL

Item No.	Parts Number	Parts Name(EN)	Qty	Specification
01	9GQV-380101-2500-14	OWNERS MANUAL	1	
01	9GQ0-380102	OWNERS MANUAL	1	EURO
01	9GQS-380104	OWNERS MANUAL	1	FOR FRANCE
01	9GQV-380101-2400-13	OWNERS MANUAL	1	
01	9GQV-380101-1500-11	OWNERS MANUAL	1	

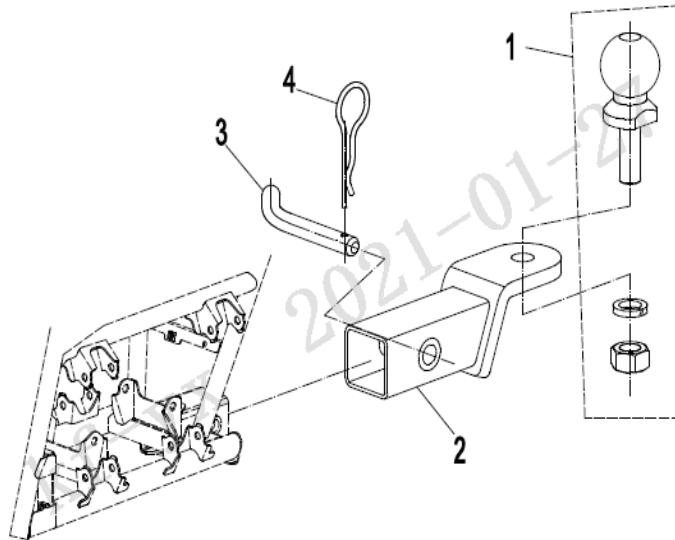
拖挂/TOWBAR



F40-A-V2 TOWBAR(LONG, PIN SHAFT CONNECTION)

Item No.	Parts Number	Parts Name(EN)	Qty	Specification
01	5BW1-401310	HITCH BALL	1	
01	5BW1-401310-10000	TOWING HITCHBALL	1	
02	5BW1-401200-20000	TOWING TUBE	1	
03	9010-400103	PIN SHAFT	1	
04	9010-400102-10000	COTTER PIN,BRACKET	1	

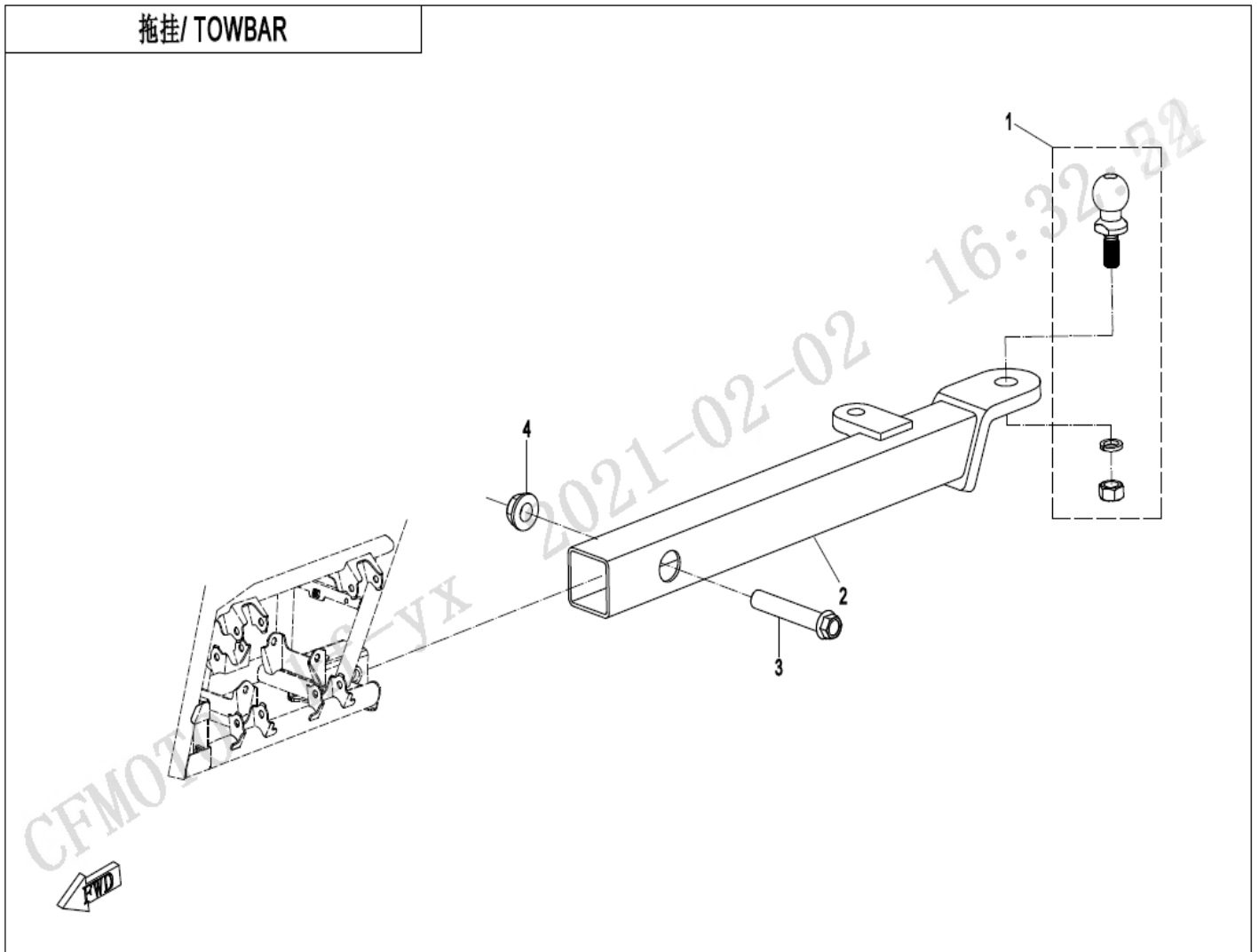
拖挂/TOWBAR



F40-B TOWBAR(SHORT, PIN SHAFT CONNECTION)

Item No.	Parts Number	Parts Name(EN)	Qty	Specification
01	5BW1-401310	HITCH BALL	1	
01	5BW1-401310-10000	TOWING HITCHBALL	1	
02	7000-400120	TUBE, TRAILER	1	
03	9010-400103	PIN SHAFT	1	
04	9010-400102-10000	COTTER PIN,BRACKET	1	

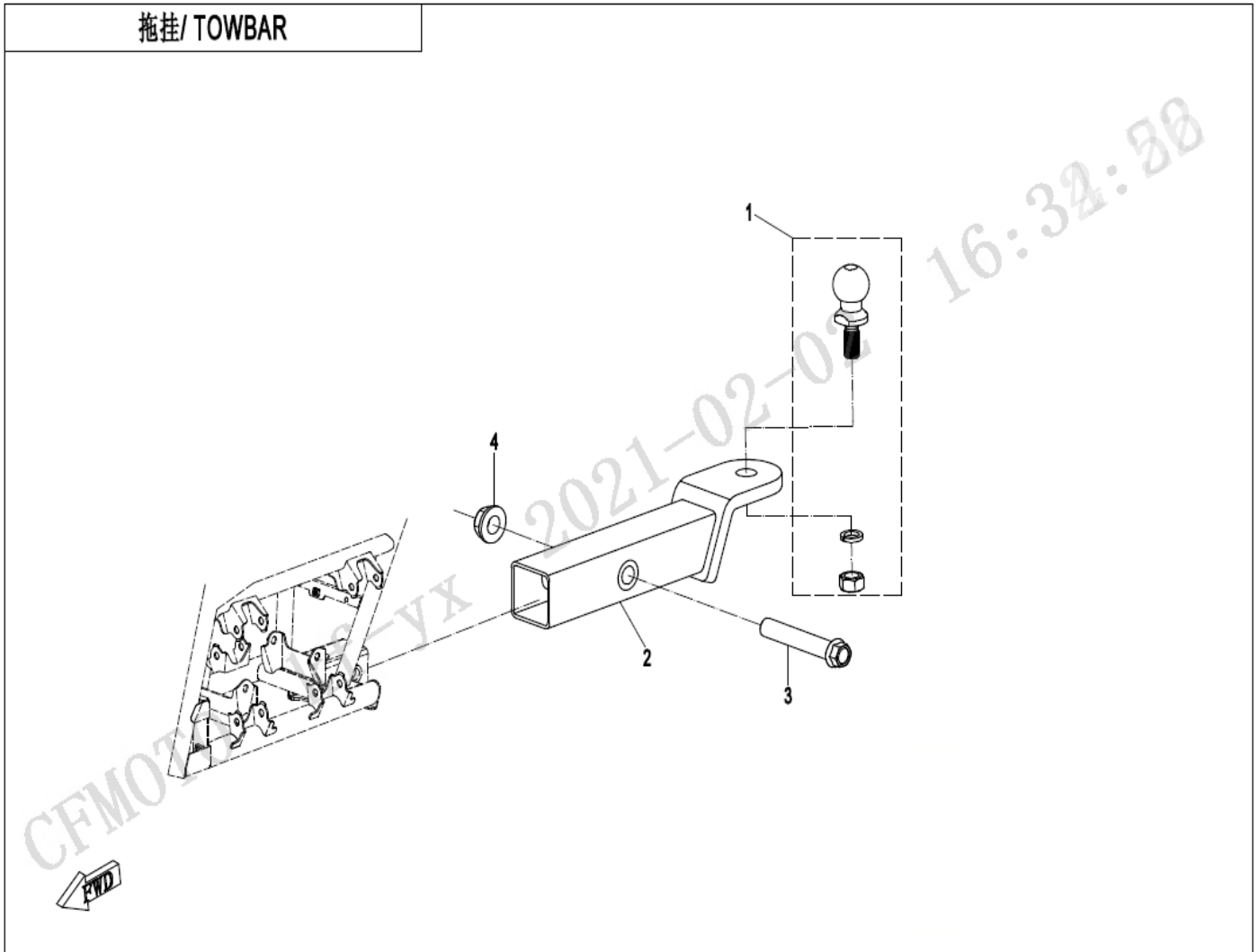
拖挂/ TOWBAR



F40-C TOWBAR(LONG, BLOT CONNECTION)

Item No.	Parts Number	Parts Name(EN)	Qty	Specification
01	5BW1-401310	HITCH BALL	1	
01	5BW1-401310-10000	TOWING HITCHBALL	1	
02	5BW1-401200-20000	TOWING TUBE	1	
03	5BW1-401106	BOLT, TOWING	1	
04	30218-163860	NUT M16x1.5	1	M16x1.5

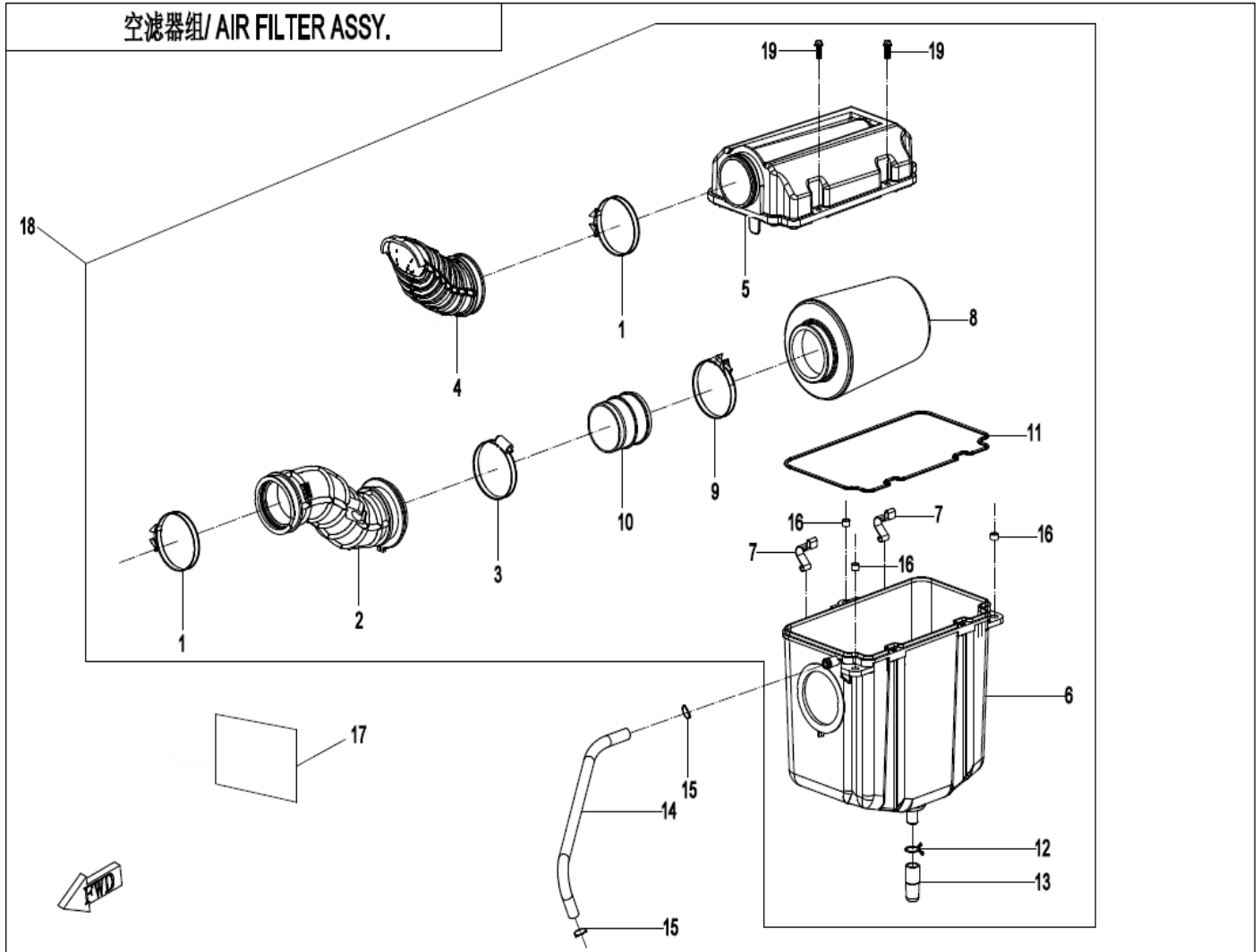
拖挂/TOWBAR



F40-D TOWBAR(SHORT, BLOT CONNECTION)

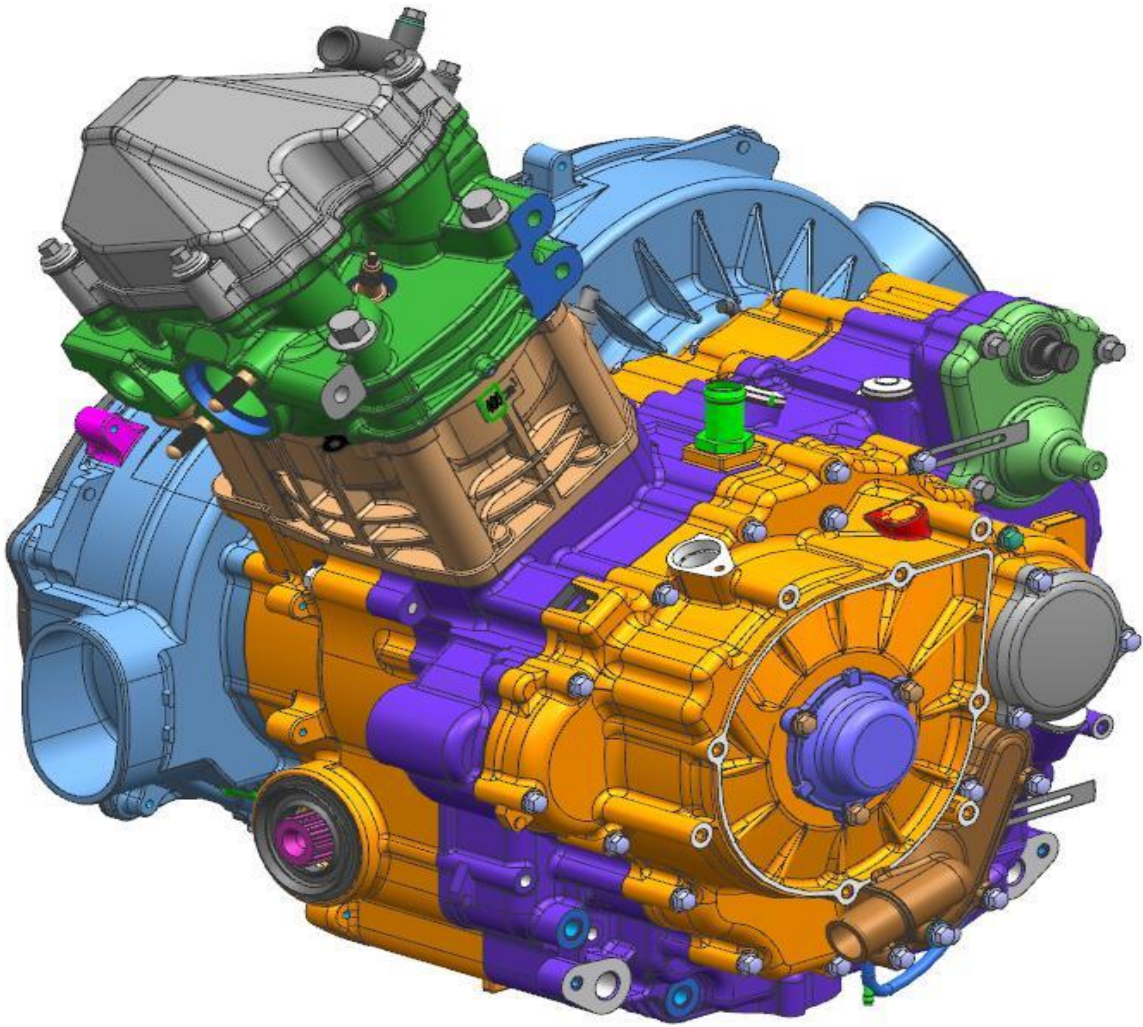
Item No.	Parts Number	Parts Name(EN)	Qty	Specification
01	5BW1-401310	HITCH BALL	1	
01	5BW1-401310-10000	TOWING HITCHBALL	1	
02	7000-400120	TUBE, TRAILER	1	
03	5BW1-401106	BOLT, TOWING	1	
04	30218-163860	NUT M16x1.5	1	M16x1.5

空滤器组/ AIR FILTER ASSY.



F41-V3 AIR FILTER ASSY.

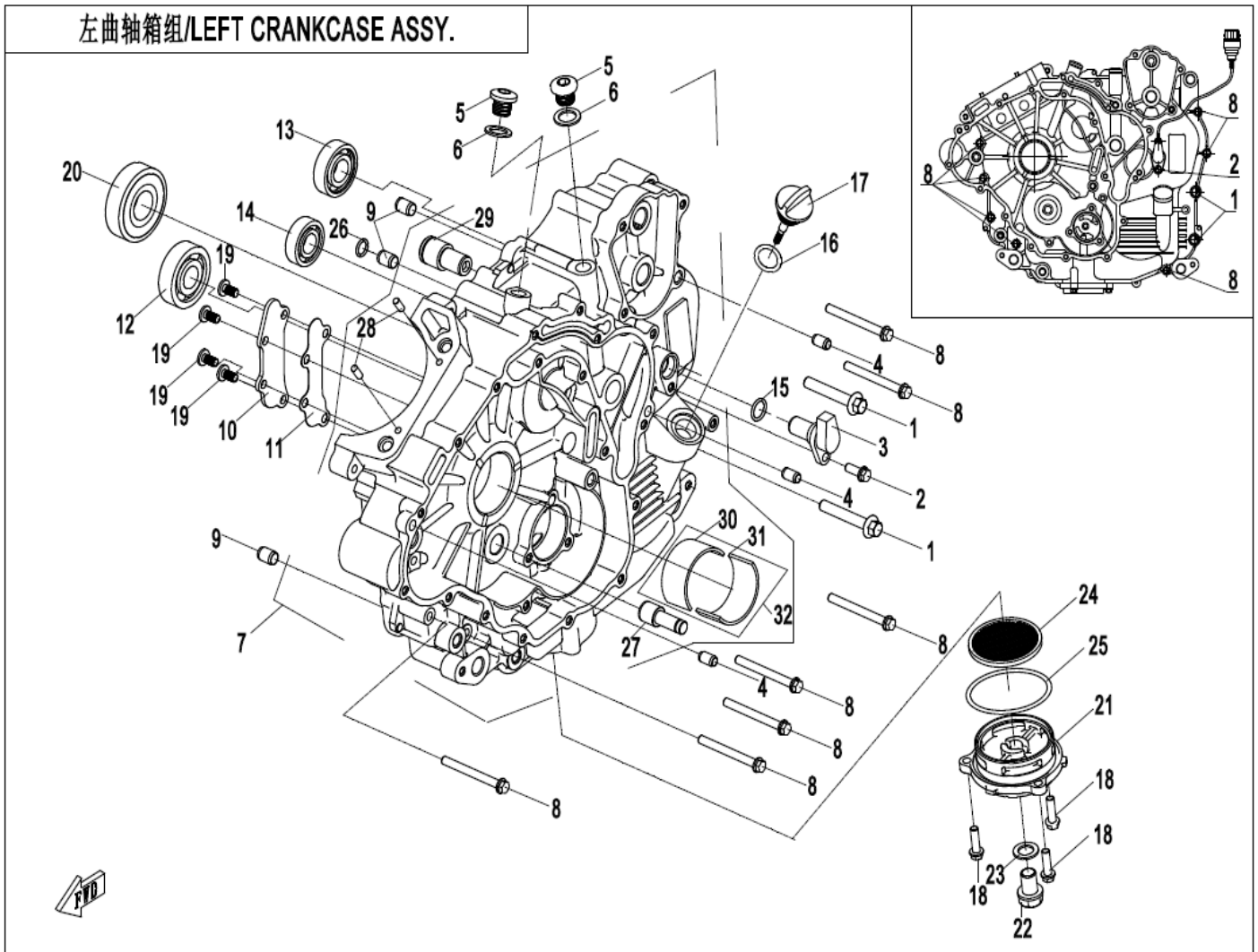
Item No.	Parts Number	Parts Name(EN)	Qty	Specification
01	01A0-110003	CLAMP 67	2	
02	0GQ0-110005-10000	AIR OUTLET PIPE	1	
03	0GR0-110008	CLAMP	1	
04	0GR0-110003	PIPE, AIR INTAKE	1	
05	0GR0-110002-20000	UPPER HOUSING, AIR FILTER	1	
06	0GR0-110001-20010	LOWER HOUSING, AIR FILTER	1	TJZHONGXIANG
06	0GR0-110001-20020	LOWER HOUSING, AIR FILTER	1	HENGBO
07	0180-110003	CLASP	2	
08	0800-112000-20000	FILTER ELEMENT	1	WITH BLUE SPONGE,MANUFACTURER:ZhongXiang
09	0120-110001	CLAMP 64	1	64
10	0GR0-110004	CONNECT PIPE, FILER ELEMENT	1	
11	0GR0-110006	SEAL RING, AIR FILTER	1	
12	30601-117010	CLAMP A17	1	A17
13	0180-110005	OIL STORAGE HOSE	1	
14	0GR0-110007-30000	BREATHER HOSE, CRANKCASE	1	
15	30601-114010	CLAMP A14	2	A14
16	0GR0-110009	BUSHING	3	
17	9CR6-042027	HEAT INSULATOR, AIR FILTER	1	
18	0GQ0-111000-10001	AIR FILTER SUB ASSY	1	
19	0010-030002-0020	BOLT M5x16	2	M5x16



E00 191Q ENGINE

Item No.	Parts Number	Parts Name(EN)	Qty	Specification
01	0GQ0-BLB000-0840	191Q LONG BLOCK	1	SUMITOMO PLUG
01	0GQ0-ALB000-0840	191Q LONG BLOCK	1	STANDARD PLUG

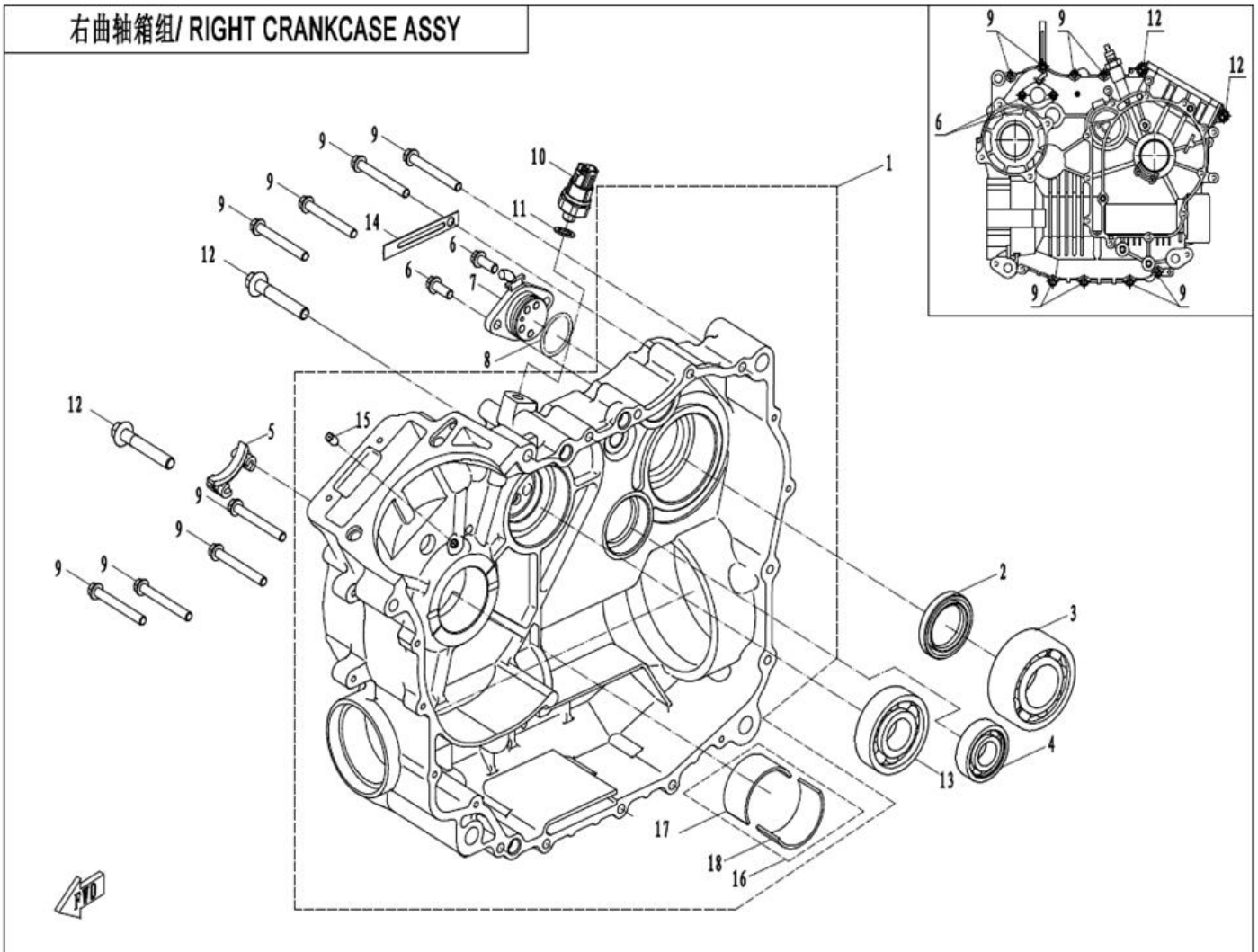
左曲轴箱组/LEFT CRANKCASE ASSY.



E01-1 LEFT CRANKCASE ASSY

Item No.	Parts Number	Parts Name(EN)	Qty	Specification
01	0040-012006-0010	BOLT M8x50	2	M8X50
02	0010-090005-0010	BOLT M6x16	1	M6x16
03	0GR0-011020	SPEED SENSOR	1	
04	0010-080008	DOWEL PIN Dia 8x14	3	Dia 8x14
05	0GR0-011003	BOLT M14x1.5x12	2	M14x1.5x12
06	0180-011006	GASKET 14	2	14
07	0GR0-011100-00001	LH CRANKCASE ASSY	1	
08	0010-011017-0010	BOLT M6x60	7	M6x60
09	0010-021005	DOWEL PIN Dia 10x14	3	Dia 10x14
10	0GR0-011002	OIL RAIL COVER PLATE	1	
11	0GR0-011004	PAPER WASHER, OIL RAIL	1	
12	30499-01700	BEARING	1	17
13	30400-01704	BEARING	1	17
14	30499-01500	BEARING	1	6202
15	01A0-013005	O-SEAL RING 13x2	1	13x2
16	0110-013030	O-SEAL RING 18x3.55	1	18x3.55
17	0GR0-011005	DIPSTICK, ENGINE OIL	1	
18	0010-023010-0010	BOLT M6x20	3	M6x20
19	30105-060012410	SCREW M6x12	4	M6x12
20	30400-02201	BEARING	1	
21	0GR0-011001	PLATE, OIL STRAINER	1	
22	0110-013005-00001	DRAIN SCREW PLUG M12x1.5x15	1	
23	0010-021014	WASHER 12	1	12
24	0GR0-011010	OIL STRAINER	1	
25	0800-014003	O-SEAL RING 63x2.5	1	63x2.5
26	30502-010000N	O-RING	1	10x1.8
27	0GR0-011102	DUAL GEAR SHAFT, OIL PUMP	1	
28	30406-00500	ROLLER NEEDLE P5x11.8	2	P5x11.8
29	0GR0-011103	INTERMEDIATE GEAR SHAFT, REVERS	1	
30	0800-011102-00011	PLAIN BEARING 1	1	RED@THIN
30	0800-011102-00021	PLAIN BEARING 1	1	BLUE@THICK
31	0800-011103-00011	PLAIN BEARING 2	1	RED@THIN
31	0800-011103-00021	PLAIN BEARING 2	1	BLUE@THICK
32	0800-0111A0-00001	PLAIN BEARING KIT, MAIN SHAFT	1	RED
32	0800-0111B0-00001	PLAIN BEARING KIT, MAIN SHAFT	1	BLUE

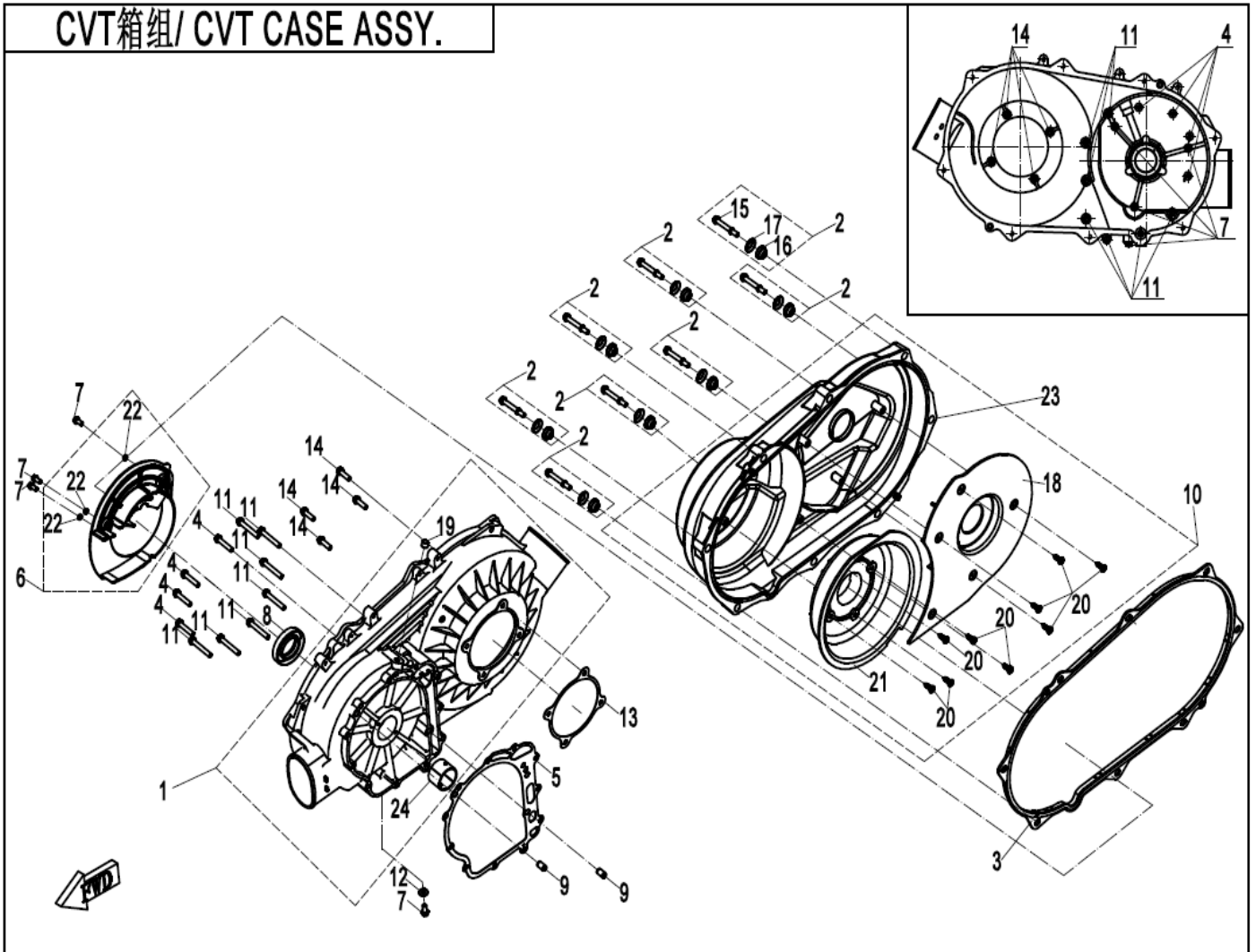
右曲轴箱组/ RIGHT CRANKCASE ASSY



E01-2 RIGHT CRANKCASE ASSY

Item No.	Parts Number	Parts Name(EN)	Qty	Specification
01	0GR0-012100-10001	RH CRANKCASE ASSY	1	
02	0180-012006-00001	OIL SEAL 30X45X8	1	
03	30499-03000	BEARING	1	5206
04	30400-01704	BEARING	1	17
05	0800-011007	CHAIN GUARD	1	
06	0010-090005-0010	BOLT M6x16	2	M6x16
07	0800-012200	GEAR SENSOR ASSY	1	ORDINARY
07	0800-012200-1000	GEAR SENSOR ASSY	1	SUMITOMO PLUG
08	0180-023002	O-SEAL RING 24x2.5	1	24x2.5
09	0010-013010-0010	BOLT M6x50	8	M6x50
10	0800-012400	OIL PRESSURE SWITCH	1	
11	0010-060010	WASHER 10	1	10
12	0040-012006-0010	BOLT M8x50	2	M8X50
13	30400-02201	BEARING	1	
14	0180-014010	WIRE CLAMP	1	
15	01A0-011003	NOZZLE	1	
16	0800-0111A0-00001	PLAIN BEARING KIT, MAIN SHAFT	1	RED
16	0800-0111B0-00001	PLAIN BEARING KIT, MAIN SHAFT	1	BLUE
17	0800-011102-00011	PLAIN BEARING 1	1	RED@THIN
17	0800-011102-00021	PLAIN BEARING 1	1	BLUE@THICK
18	0800-011103-00011	PLAIN BEARING 2	1	RED@THIN
18	0800-011103-00021	PLAIN BEARING 2	1	BLUE@THICK

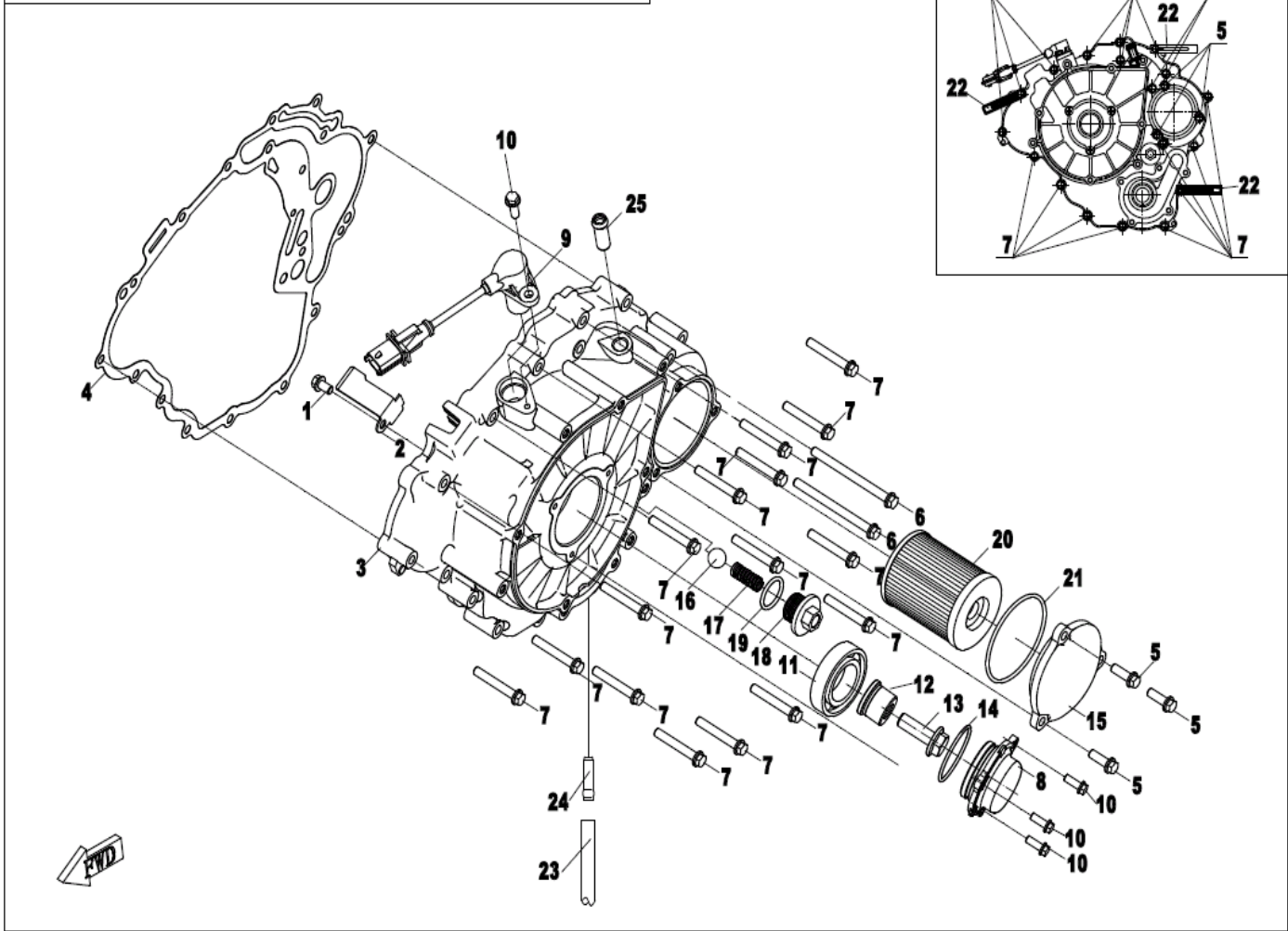
CVT箱组/ CVT CASE ASSY.



E01-3 VT CASE ASSY.

Item No.	Parts Number	Parts Name(EN)	Qty	Specification
01	0GR0-013100-10002	CVT CASE ASSY	1	
02	0800-021100-10000	BOLT ASSY. CYLINDER HEAD COVER	8	
03	0GR0-013003	SEAL RING, CVT COVER	1	
04	0010-060012-0010	BOLT M6x30	4	M6x30
05	0GR0-013001-20000	STEEL GASKET, CVT CASE	1	
06	0GR0-013010	CVT WIND GUARD ASSY	1	
07	0010-021019-0010	BOLT M6x12	4	M6x12
08	0JY0-013103	OIL SEAL 32X55X10	1	32X55X10
09	0010-080008	DOWEL PIN Dia 8x14	2	Dia 8x14
10	0GR0-013300-10000	COVER, CVT CASE	1	GOES
10	0GR0-013300-20000	COVER, CVT CASE	1	
11	0010-013009-0010	BOLT M6x40	7	M6x40
12	0010-060009	WASHER 6	1	6
13	0800-012002	GASKET(2), CVT CASE	1	
14	0010-023010-0010	BOLT M6x20	4	M6x20
15	0800-021101-10001	BOLT, CYLINDER HEAD COVER	8	
16	0800-021102	RUBBER WASHER	8	
17	0800-021103	CAP, RUBBER WASHER	8	
18	0GR0-013302	REAR HEAT INSULATION COVER	1	
19	01A0-012010-00001	SCREW	1	
20	30110-480160010	SELF-TAPPING SCREW ST4.8x16	9	ST4.8x16
21	0GR0-013301	FRONT HEAT INSULATION COVER	1	GOES
21	0GR0-013301-20000	FRONT HEAT INSULATION GUARD	1	
22	0GR0-013012	BUSHING	3	
23	0GR0-013002-10000	COVER, CVT CASE	1	GOES
23	0GR0-013002-20000	COVER, CVT CASE	1	
24	0JY0-013102-00011	PLAIN BEARING, CVT	2	RED
24	0JY0-013102-00021	PLAIN BEARING, CVT	2	BLUE

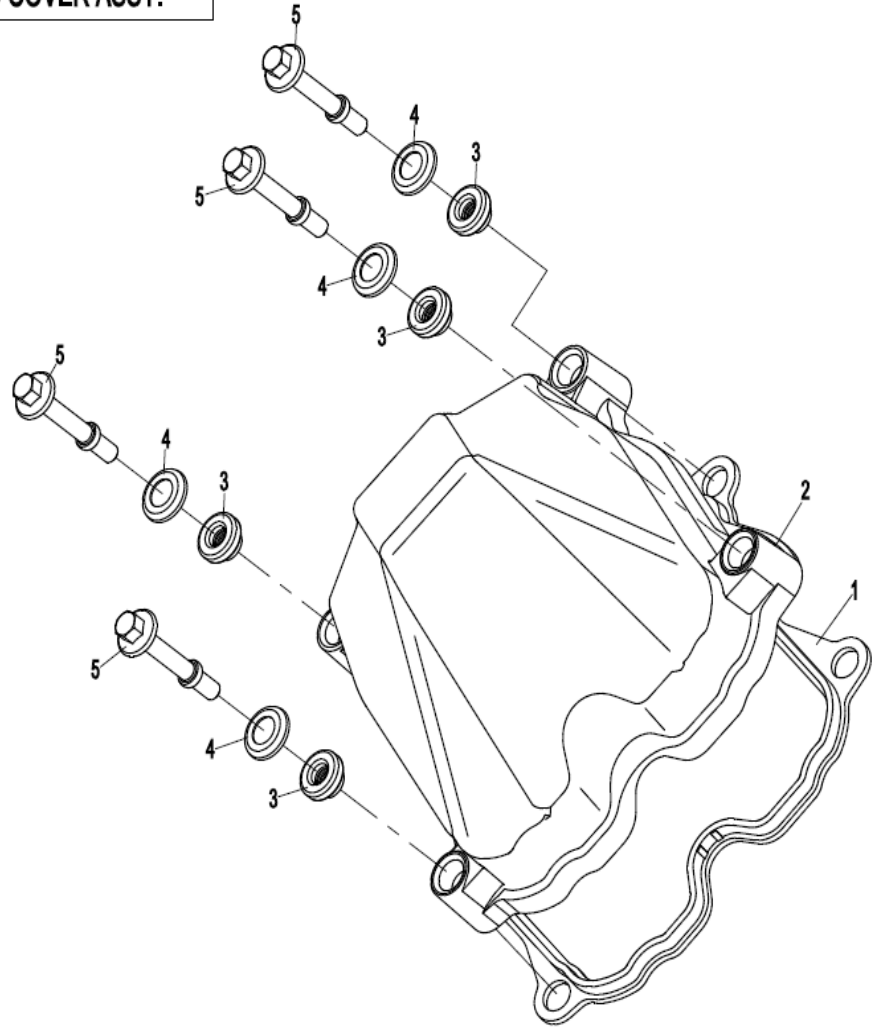
E01-4 左曲轴箱盖组/LEFT CRANKCASE COVER



E01-4 LEFT CRANKCASE COVER ASSY

Item No.	Parts Number	Parts Name(EN)	Qty	Specification
01	0010-080010-0010	BOLT M6x10	1	M6x10
02	0GR0-014005	PLATE	1	
03	0GR0-014001-10000	CRANKCASE COVER, LH	1	
04	0GR0-014002-10000	STEEL GASKET, LH CRANKCASE COVER	1	
05	0010-023008-0010	BOLT M6x18	3	M6x18
06	0A70-011005-00001	BOLT M6x75	2	
07	0010-013009-0010	BOLT M6x40	16	M6x40
08	0GRA-014001	PLUG	1	SUZUKI RED
09	0800-014100	RPM SENSOR	1	ORDINARY
10	0010-090005-0010	BOLT M6x16	4	M6x16
11	30400-02800	BEARING	1	
12	0800-014008	SLEEVE, TIGHTENING	1	
13	0800-014009-00001	BOLT M12x1.25x35	1	M12x1.25x35
14	0GRA-014003	O-SEAL RING 48x2.5	1	
15	0800-014002-00001	FILTER COVER	1	
16	3120015	STEEL BALL	1	
17	0700-012603-1000	SPRING, RELIEF VALVE	1	
18	0GR0-014003	SCREW PLUG, RELIEF VALVE	1	
19	0180-332004	O-SEAL RING 19x2.5	1	19x2.5
20	0800-011300-0004	OIL FILTER ELEMENT	1	
21	0800-014003	O-SEAL RING 63x2.5	1	63x2.5
22	0180-014010	WIRE CLAMP	3	
23	0800-014013	OVERFLOW HOSE	1	
24	01A0-022102	PIPE JOINT	1	
25	0010-013006-0010	JOINT, BREATHER HOSE	1	

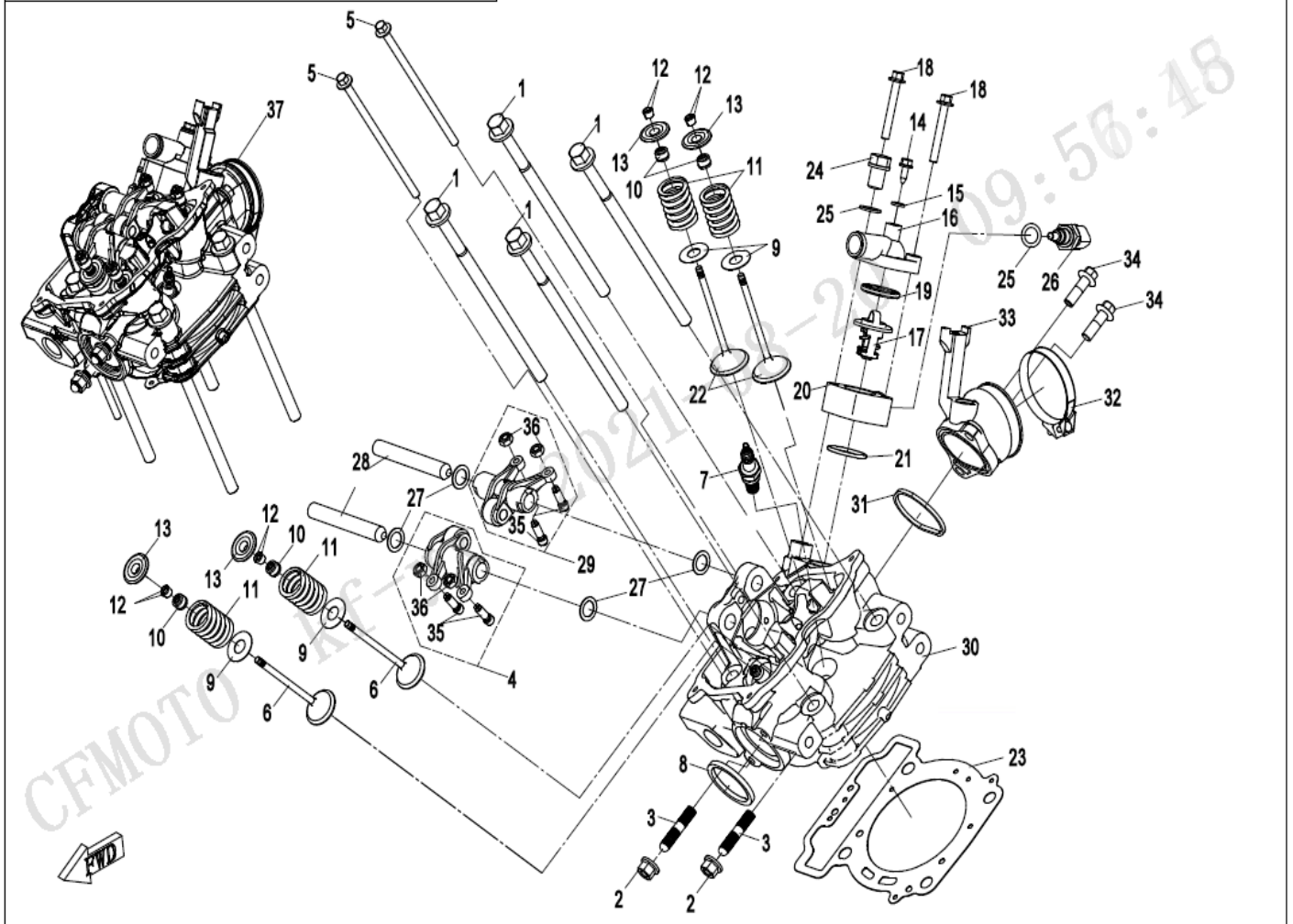
E02-1 气缸盖罩组/ CYLINDER HEAD COVER ASSY.



E02-1 CYLINDER HEAD COVER ASSY

Item No.	Parts Number	Parts Name(EN)	Qty	Specification
01	0800-021002-00001	SEAL RING, CYLINDER HEAD COVER	1	
02	0800-021001	CYLINDER HEAD COVER	1	
03	0800-021102-10000	RUBBER WASHER	4	
04	0800-021103	CAP, RUBBER WASHER	4	
05	0800-021101-10001	BOLT, CYLINDER HEAD COVER	4	

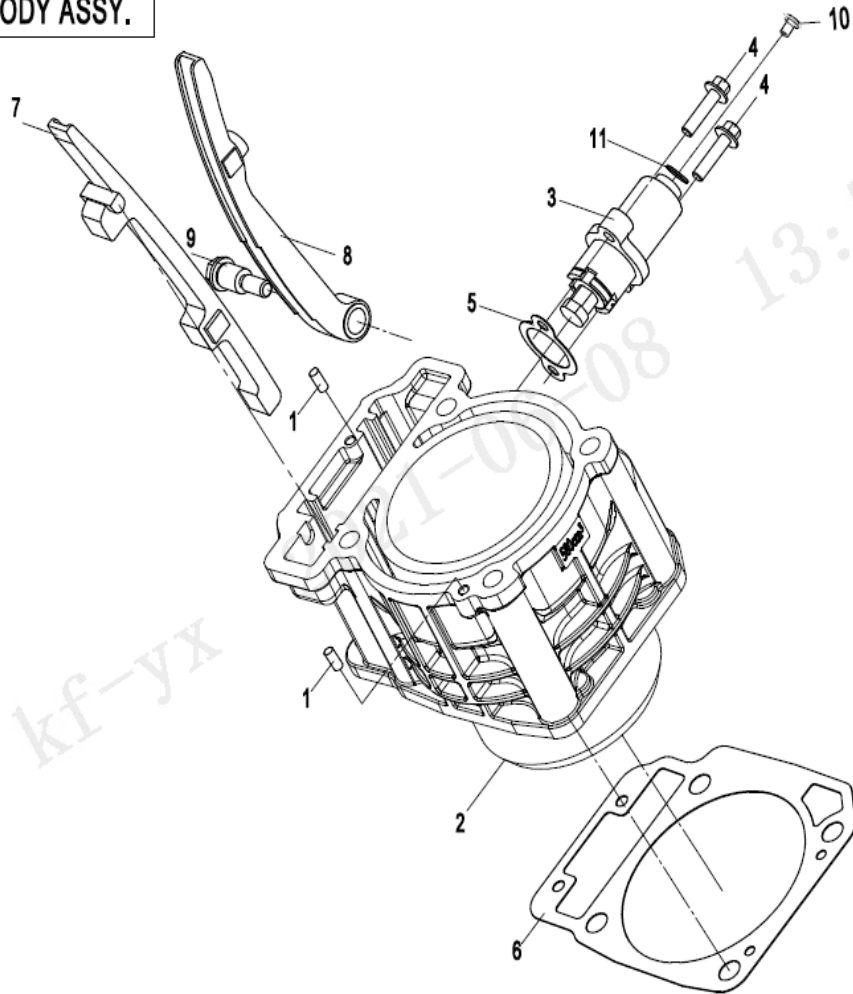
气缸盖组/CYLINDER HEAD ASSY



E02-2-A-V2 CYLINDER HEAD ASSY

Item No.	Parts Number	Parts Name(EN)	Qty	Specification
01	0700-022014-10001	BOLT M10x176, CYLINDER HEAD	4	M10x176
02	8010-020001	NUT M8, MUFFLER JOINT	2	M8
03	0180-022003-00001	STUD M8x42	2	
04	0800-022600-20000	ROCKER ARM ASSY, AIR EXHAUST	1	
05	0GQ0-022001-00001	BOLT M6x120	2	M6x120
06	0800-022005	VALVE, EXHAUST	2	
07	0800-022800	SPARK PLUG	1	
08	0800-022300	BUSHING, EXHAUST PIPE	1	
09	0800-022008	LOWER SEAT, VALVE SPRING	4	
10	0010-022500-10000	SEAL RING, VALVE STEM	4	
11	0800-022006-10000	VALVE SPRING	4	
12	0800-022016	LOCK CLIP, VALVE	8	
13	0800-022007	UPPER SEAT, VALVE SPRING	4	
14	30132-550160030	SCREW ST5.5x16	1	ST5.5x16
15	0800-022011	WASHER 5.3x11x1.5	1	5.3x11x1.5
16	0800-022013-10000	THERMOSTAT CAP	1	
17	0800-022700	THERMOSTAT	1	
18	0180-013208-0010	BOLT M6x45	2	M6x45
19	0010-022802	SEAL RING	1	
20	0GR0-022003	SEAT, THERMOSTAT	1	
21	30502-028000N	O-RING	1	28x2.65
22	0800-022004	VALVE, INTAKE	2	
23	0800-022200-00002	GASKET, CYLINDER HEAD	1	
24	0800-022015-00001	SCREW PLUG M12x1.5	1	
25	0800-022014	WASHER 12.2x18x1.5	2	12.2x18x1.5
26	018B-022810	WATER TEMPERATURE SENSOR	1	
27	0800-022002	WASHER 12.3x18.5x0.5	4	12.3x18.5x0.5
28	0800-022001	ROCKER ARM SHAFT	2	
29	0800-022500-20000	ROCKER ARM ASSY, AIR INTAKE	1	
30	0JY0-022100-10001	CYLINDER HEAD	1	
31	0800-025002	SEAL RING, MANIFOLD	1	
32	01A0-110005	CLAMP 57	1	
33	0GR0-022900	INJECTOR SEAT	1	
34	0130-011114-0010	BOLT M8x25	2	M8x25
35	0800-022510	ADJUST SCREW, VALVE CLEARANCE	4	
36	0800-022506	ADJUST NUT, VALVE CLEARANCE	4	
37	0GQ0-0220A0	CYLINDER HEAD ASSY	1	

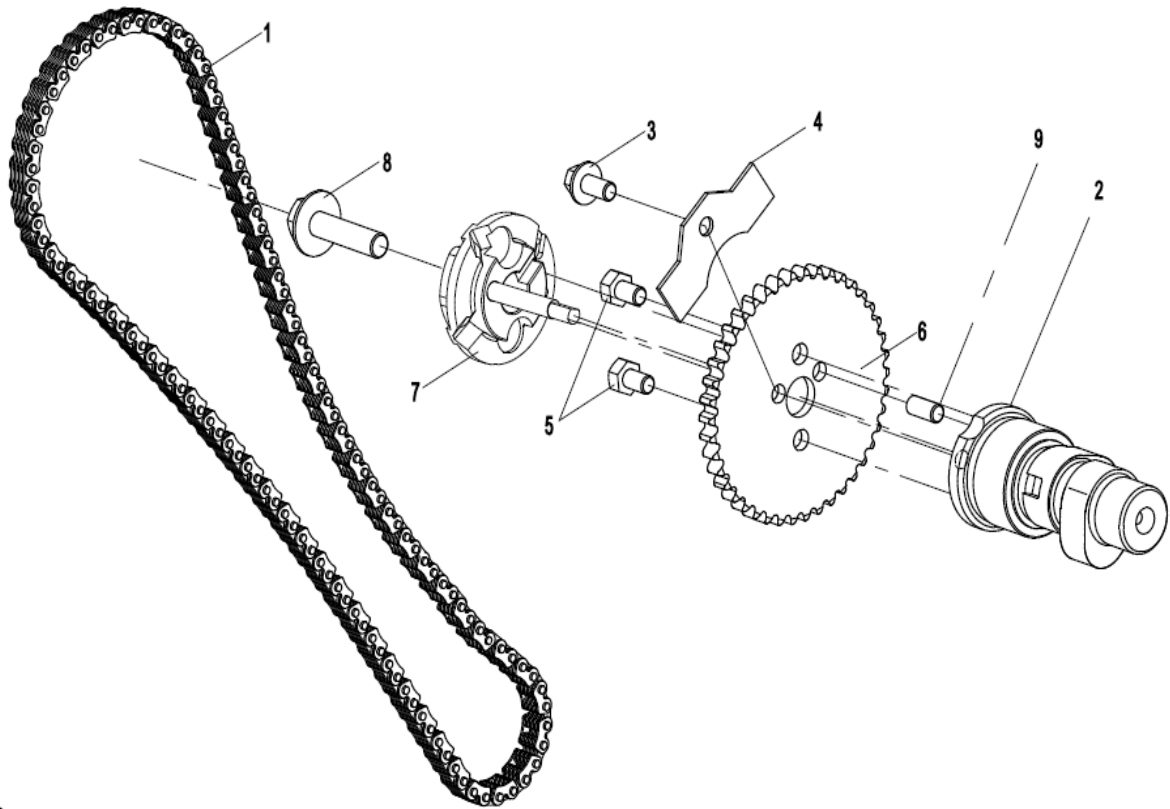
气缸体组/ CYLINDER BODY ASSY.



E02-3-V2 CYLINDER BODY ASSY.

Item No.	Parts Number	Parts Name(EN)	Qty	Specification
01	30406-00500	ROLLER NEEDLE P5x11.8	2	P5x11.8
02	0GQ0-023100-10010	CYLINDER BODY ASSY	1	GROUP 1
02	0GQ0-023100-10020	CYLINDER BODY ASSY	1	GROUP 2
03	0GS0-023200-00001	TENSIONER ASSY	1	
04	0010-021017-0010	BOLT M6x25	2	M6x25
05	0180-023003	GASKET, TENSIONER	1	
06	0GR0-023001	GASKET, CYLINDER BODY	1	
07	0GR0-023300	UPPERGUIDE, CHAIN	1	
08	0GR0-023200	TENSION PLATE	1	
09	0700-024008-00001	PIN SHAFT	1	
10	0JYA-023001-00001	HEX FLANGE BOLT M6x6	1	
11	0700-011202	O-SEAL RING 8.2x1.90	1	8.2x1.90

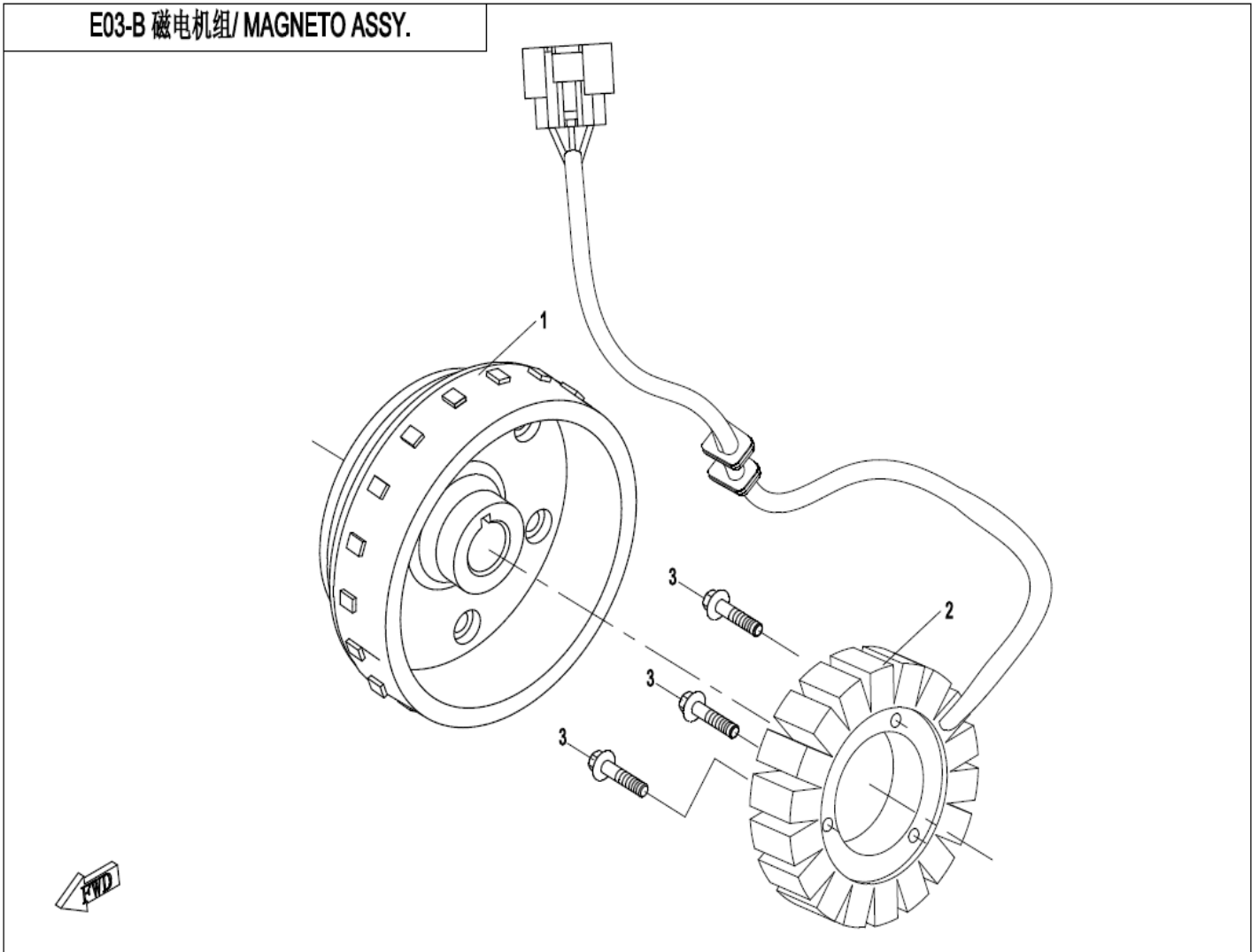
E02-4 凸轮轴组/ CAMSHAFT OF CYLINDER ASSY.



E02-4 CAMSHAFT OF CYLINDER ASSY

Item No.	Parts Number	Parts Name(EN)	Qty	Specification
01	0800-024100	TIMING CHAIN	1	
02	0GR0-024001	CAMSHAFT	1	
03	0010-021019-0010	BOLT M6x12	1	M6x12
04	0800-024004-10000	HOLDING STRIP, CAMSHAFT	1	
05	30004-060010130	BOLT M6x10	2	M6x10
06	0GR0-024002	TIMING DRIVEN SPROCKET	1	
07	0GR0-024200-10000	STARTER DECOMPRESSOER	1	
08	0GR0-024003-00001	BOLT M8x32	1	M8x32
09	0800-024002	DOWEL PIN, SPROCKET	1	

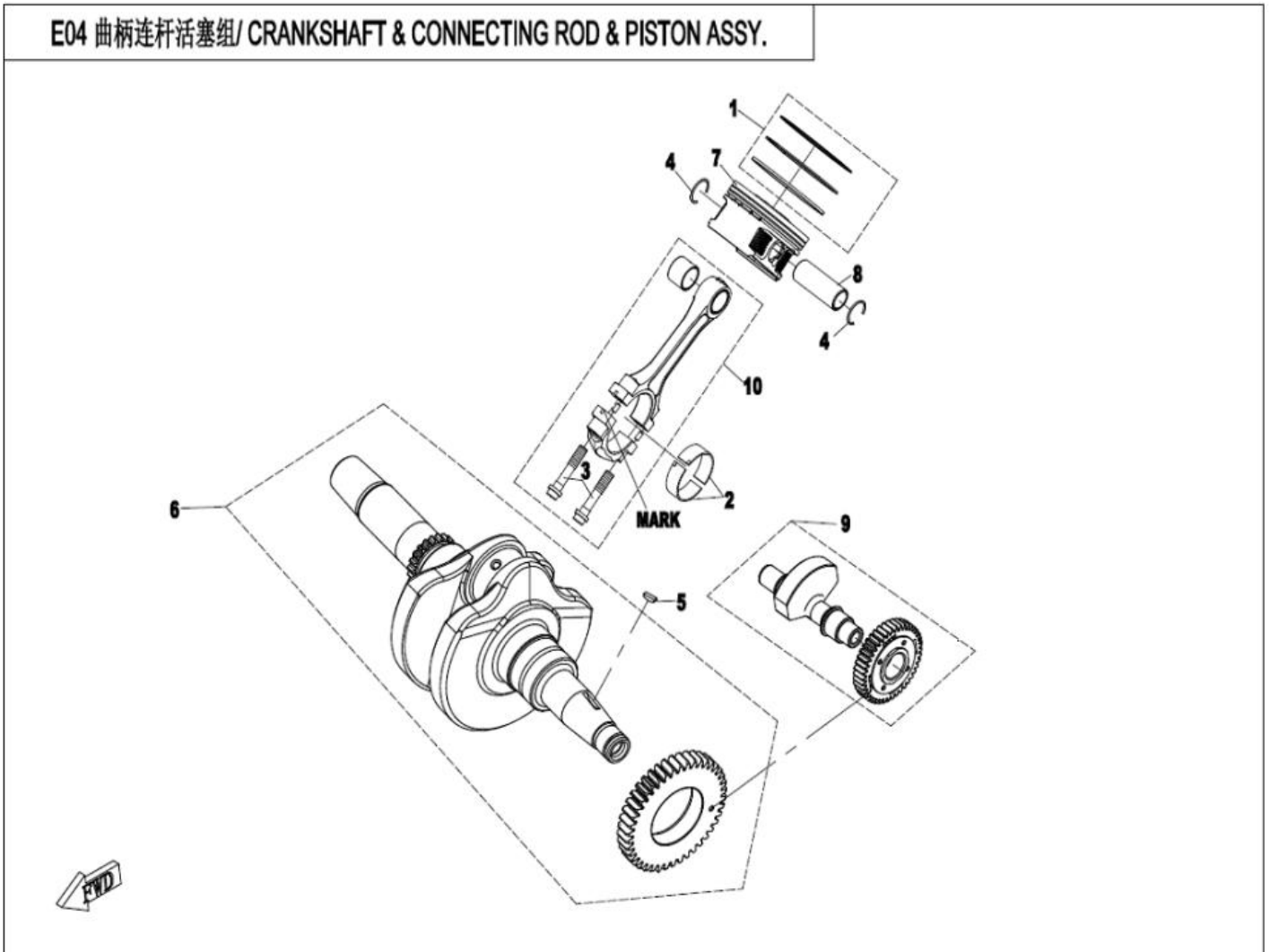
E03-B 磁电机组/ MAGNETO ASSY.



E03-B MAGNETO STATOR ASSY(HIGH POWER)

Item No.	Parts Number	Parts Name(EN)	Qty	Specification
01	0GR0-031000-1000	MAGNETO ROTOR	1	HIGH-POWER, PRODUCED BY LANG FANG KE SEN
02	0GRB-032000-10000	MAGNETO STATOR	1	HIGH POWER, LONGER LINE
02	0GRB-032000-30000	MAGNETO STATOR	1	HIGH POWER, GOES
03	0180-030001-00001	SCREW M6x30	3	

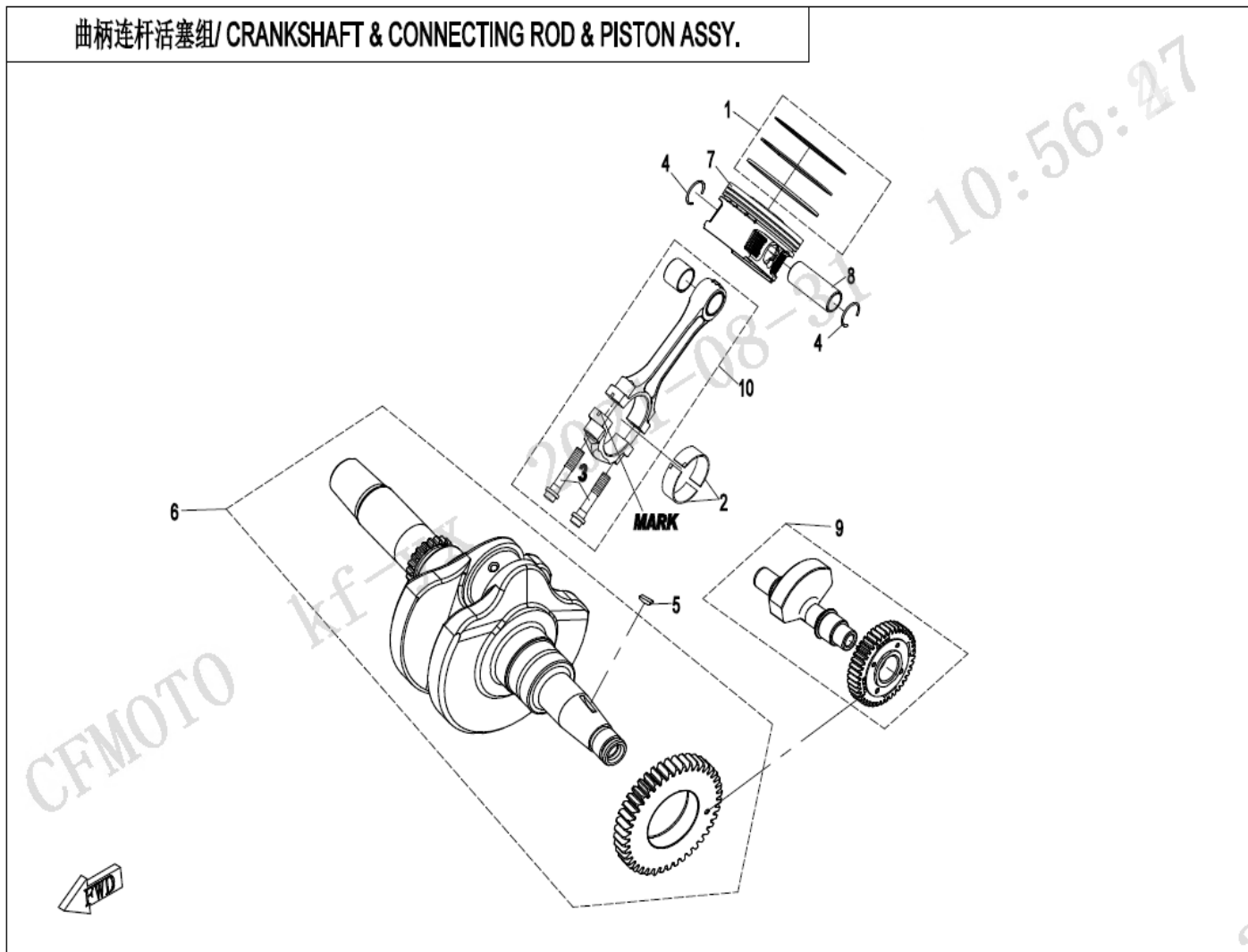
E04 曲柄连杆活塞组/ CRANKSHAFT & CONNECTING ROD & PISTON ASSY.



E04-V2 CRANKSHAFT & CONNECTING ROD & PISTON ASSY

Item No.	Parts Number	Parts Name(EN)	Qty	Specification
01	0800-0400A0	PISTON RING ASSY	1	SUPPLIERS:DY
01	0JYA-0400B0	PISTON RING ASSY	1	SUPPLIERS:ATG
02	0800-040006-00012	PLAIN BEARING, CONNECTING ROD	2	RED@THIN
02	0800-040006-00032	PLAIN BEARING, CONNECTING ROD	2	YELLOW@THICK
02	0800-040006-00022	PLAIN BEARING, CONNECTING ROD	2	BLACK@MIDDLE
03	0800-042004	BOLT, CONNECTING ROD	2	
04	0800-040005	CIRCLIP, PISTON PIN	2	
05	0180-040007	WOODRUFF KEY	1	
06	0GQ0-041100-00012	CRANKSHAFT ASSY	1	MARK A@MATCHED WITH MARK B BALANCER SHAFT ASSY
06	0GQ0-041100-00022	CRANKSHAFT ASSY	1	MARK B@MATCHED WITH MARK A BALANCER SHAFT ASSY
07	0800-040001-20011	PISTON	1	GROUP 1
07	0800-040001-20021	PISTON	1	GROUP 2
08	0800-040002	PISTON PIN	1	
09	0GQ0-160000-00021	BALANCER SHAFT ASSY	1	MARK B@MATCHED WITH MARK A CRANKSHAFT ASSY
09	0GQ0-160000-00011	BALANCER SHAFT ASSY	1	MARK A@MATCHED WITH MARK B CRANKSHAFT ASSY
10	0800-042000-00011	CONNECTING ROD ASSY	1	MARK 1
10	0800-042000-00021	CONNECTING ROD ASSY	1	MARK 2

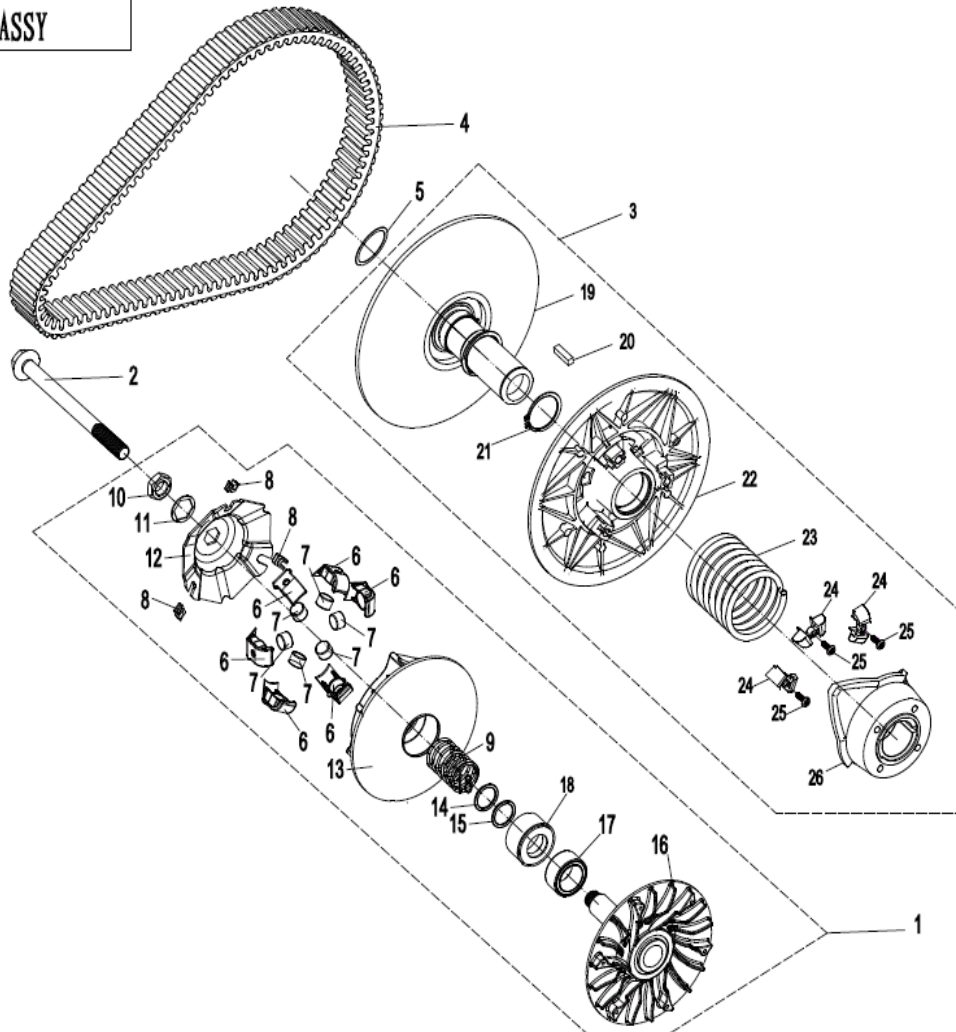
曲柄连杆活塞组/ CRANKSHAFT & CONNECTING ROD & PISTON ASSY.



E04-V3 CRANKSHAFT & CONNECTING ROD & PISTON ASSY

Item No.	Parts Number	Parts Name(EN)	Qty	Specification
01	0800-0400A0	PISTON RING ASSY	1	SUPPLIERS:DY
01	0JYA-0400B0	PISTON RING ASSY	1	SUPPLIERS:ATG
02	0800-040006-00012	PLAIN BEARING, CONNECTING ROD	2	RED@THIN
02	0800-040006-00032	PLAIN BEARING, CONNECTING ROD	2	YELLOW@THICK
02	0800-040006-00022	PLAIN BEARING, CONNECTING ROD	2	BLACK@MIDDLE
03	0GQ0-041202	BOLT, CONNECTING ROD	2	
04	0800-040005	CIRCLIP, PISTON PIN	2	
05	0180-040007	WOODRUFF KEY	1	
06	0GQ0-041100-00012	CRANKSHAFT ASSY	1	MARK A@MATCHED WITH MARK B BALANCER SHAFT ASSY
06	0GQ0-041100-00022	CRANKSHAFT ASSY	1	MARK B@MATCHED WITH MARK A BALANCER SHAFT ASSY
07	0800-040001-20011	PISTON	1	GROUP 1
07	0800-040001-20021	PISTON	1	GROUP 2
07	0800-040001-20012	PISTON	1	MARK1
07	0800-040001-20022	PISTON	1	MARK 2
08	0800-040002	PISTON PIN	1	
09	0GQ0-160000-00021	BALANCER SHAFT ASSY	1	MARK B@MATCHED WITH MARK A CRANKSHAFT ASSY
09	0GQ0-160000-00011	BALANCER SHAFT ASSY	1	MARK A@MATCHED WITH MARK B CRANKSHAFT ASSY
10	0GQ0-041200-00021	CONNECTING ROD ASSY	1	MARK 2
10	0GQ0-041200-00011	CONNECTING ROD ASSY	1	MARK 1

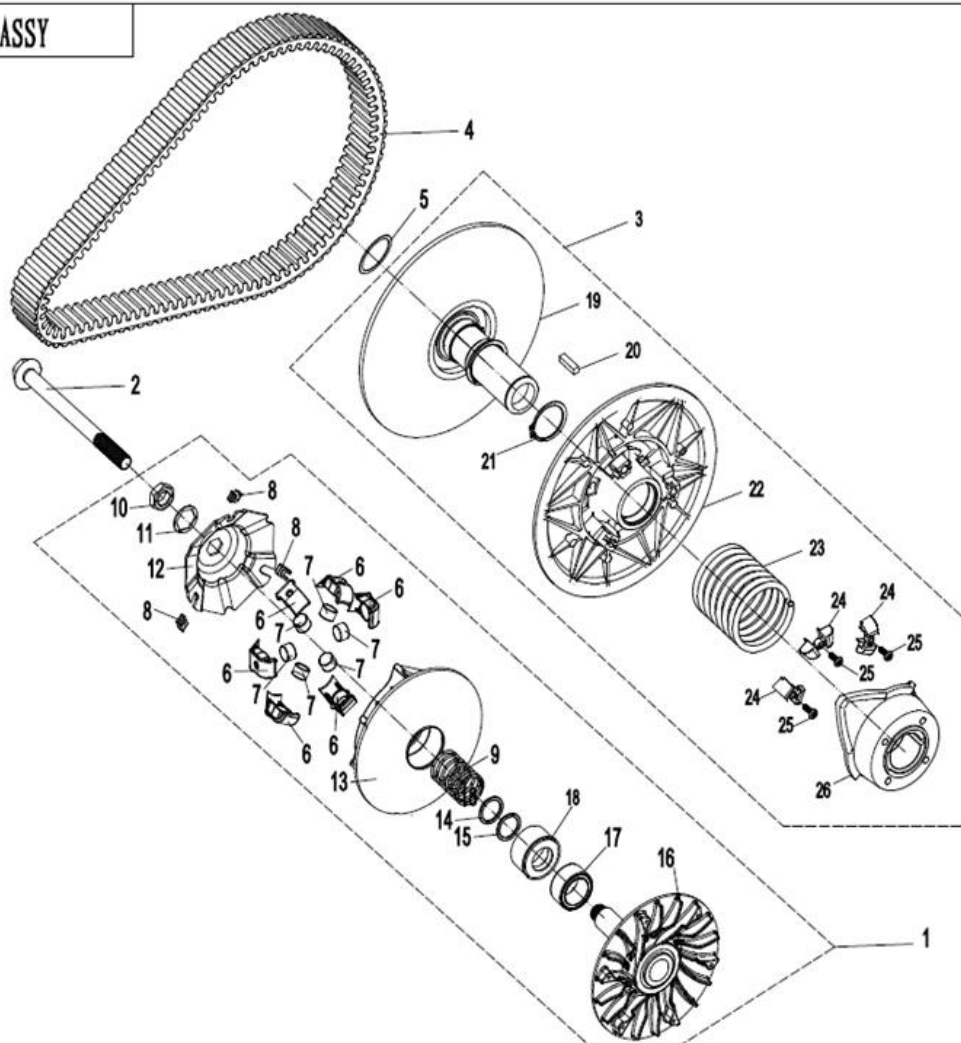
CVT总成/CVT ASSY



E05-A-V3 LUTCH & CVT ASSY.(18g WEIGHT ROLLER)

Item No.	Parts Number	Parts Name(EN)	Qty	Specification
01	0GRB-051000-10070	DRIVE PULLEY ASSY	1	18g WEIGHT ROLLER
02	OJY0-050001-00001	BOLT, DRIVE PULLEY	1	
03	OGR0-052000	DRIVEN PULLEY	1	
04	0180-055000-0003	DRIVE BELT	1	BANDO
04	0180-055000-0004	DRIVE BELT	1	MITSUBOSHI
04	0180-055000-0005	DRIVE BELT	1	CARLISLE
05	OGR0-050001-00001	ADJUSTING WASHER	1	
06	OGR0-051005	NYLON PROTECTOR, WEIGHT ROLLER	6	CVtech
07	OGR0-051004-50000	WEIGHT ROLLER	6	
08	OGR0-051006	NYLON SLIDER	3	
09	OGR0-051003-40000	SPRING, DRIVE PULLEY	1	
10	OJYA-051013-10001	NUT, DRIVE PULLEY	1	
11	OGR0-051007	HEXAGONAL BORE WASHER	1	
12	OGR0-051002-00001	RAMP PLATE	1	
13	OGR0-051100	PRIMARY LOOSE PULLEY ASSY	1	
14	OGR0-051011	STEEL WASHER	1	CVtech
15	OGR0-051009-10000	NYLON WASHER	1	
16	OGR0-051200-10011	PRIMARY TIGHT PULLEY ASSY	1	
17	OGR0-051300	OVERRIDING CLUTCH	1	
18	OGR0-051001	SPRING SEAT	1	CVtech
19	OGR0-052100	DRIVEN FIXED PULLEY ASSY	1	CVtech
20	OGR0-052003	TAPER KEY	1	CVtech
21	OGR0-052004	CIRCLIP	1	CVtech
22	OGR0-052200	DRIVEN SLIDING PULLEY ASSY	1	
23	OGR0-052001	SPRING, DRIVEN PULLEY	1	CVtech
24	OGR0-052005	NYLON BLOCK	3	CVtech
25	OGR0-052006	SCREW	3	CVtech
26	OGR0-052002	CAM PLATE	1	CVtech

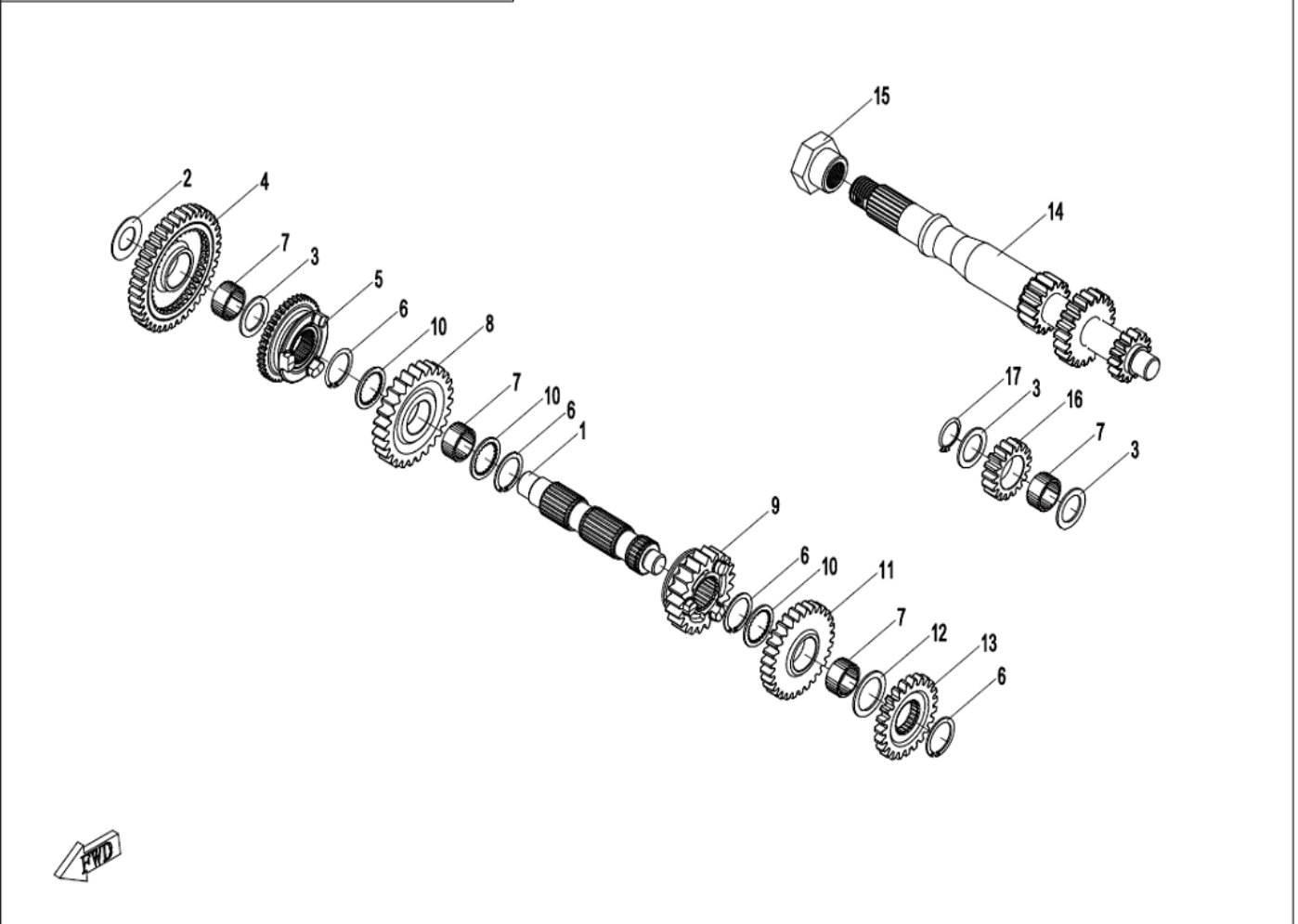
CVT总成/CVT ASSY



E05-B-V3 CLUTCH & CVT ASSY.(16g WEIGHT ROLLER)

Item No.	Parts Number	Parts Name(EN)	Qty	Specification
01	0GRB-051000-10030	DRIVE PULLEY ASSY	1	
02	OJY0-050001-00001	BOLT, DRIVE PULLEY	1	
03	OGR0-052000	DRIVEN PULLEY	1	
04	0180-055000-0004	DRIVE BELT	1	MITSUBOSHI
04	0180-055000-0003	DRIVE BELT	1	BANDO
04	0180-055000-0005	DRIVE BELT	1	CARLISLE
05	OGR0-050001-00001	ADJUSTING WASHER	1	
06	OGR0-051005	NYLON PROTECTOR, WEIGHT ROLLER	6	CVtech
07	OGR0-051004-20000	WEIGHT ROLLER	6	16g
08	OGR0-051006	NYLON SLIDER	3	
09	OGR0-051003-20000	SPRING, DRIVE PULLEY	1	ORDINARY
10	OJYA-051013-10001	NUT, DRIVE PULLEY	1	
11	OGR0-051007	HEXAGONAL BORE WASHER	1	
12	OGR0-051002-00001	RAMP PLATE	1	
13	OGR0-051100	PRIMARY LOOSE PULLEY ASSY	1	
14	OGR0-051011	STEEL WASHER	1	CVtech
15	OGR0-051009-10000	NYLON WASHER	1	
16	OGR0-051200-10011	PRIMARY TIGHT PULLEY ASSY	1	
17	OGR0-051300	OVERRIDING CLUTCH	1	
18	OGR0-051001	SPRING SEAT	1	CVtech
19	OGR0-052100	DRIVEN FIXED PULLEY ASSY	1	CVtech
20	OGR0-052003	TAPER KEY	1	CVtech
21	OGR0-052004	CIRCLIP	1	CVtech
22	OGR0-052200	DRIVEN SLIDING PULLEY ASSY	1	
23	OGR0-052001	SPRING, DRIVEN PULLEY	1	CVtech
24	OGR0-052005	NYLON BLOCK	3	CVtech
25	OGR0-052006	SCREW	3	CVtech
26	OGR0-052002	CAM PLATE	1	CVtech

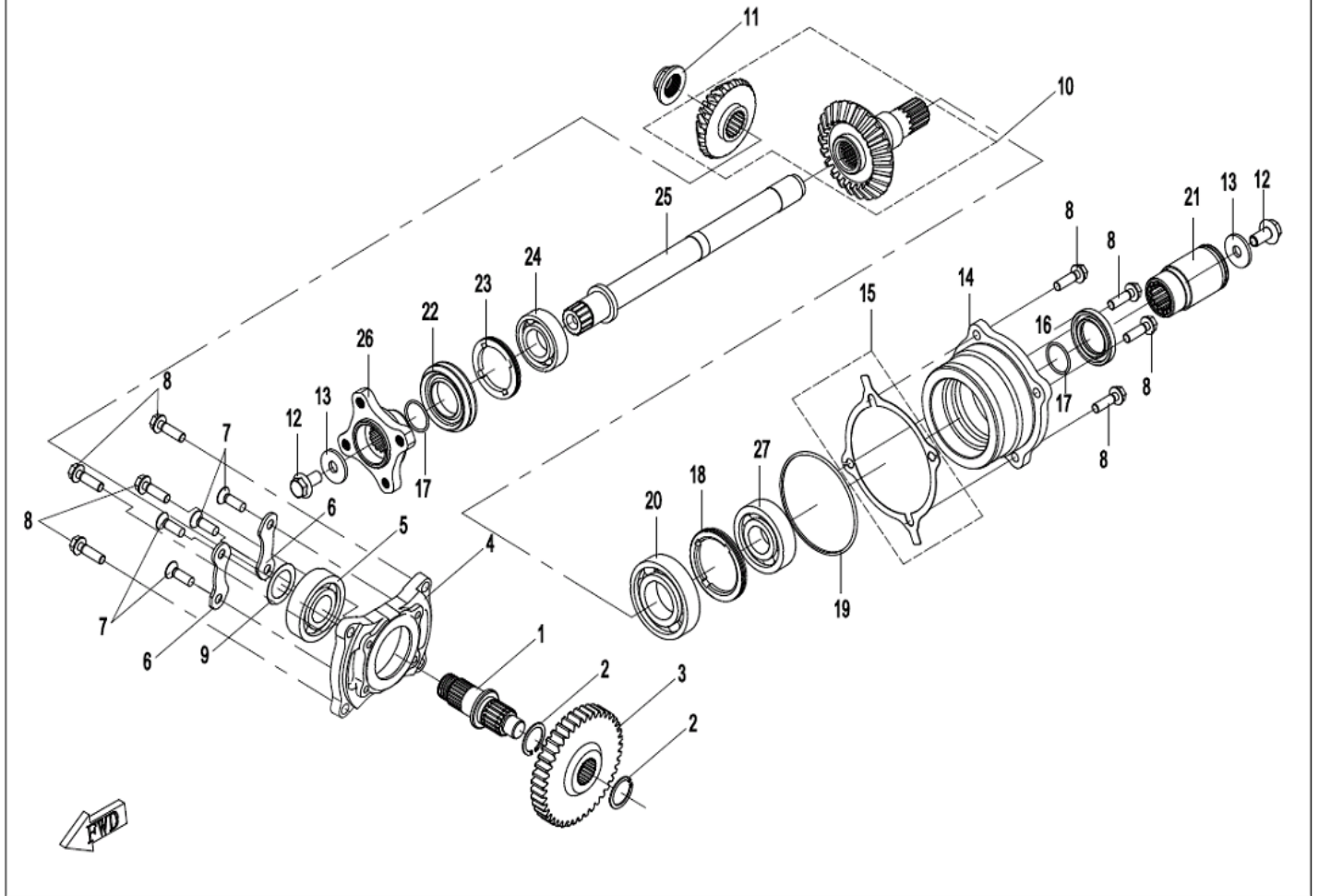
E06-1 换档变速总成(1)/TRANSMISSION SYSTEM(1)



E06-1 TRANSMISSION SYSTEM (1)

Item No.	Parts Number	Parts Name(EN)	Qty	Specification
01	0GR0-061001	SECONDARY SHAFT, DRIVE	1	
02	0800-061002	WASHER 17.5x32x1	1	17.5x32x1
03	0180-061012	GASKET 20.5x30x1.5	3	20.5x30x1.5
04	0GR0-061200	DRIVEN GEAR, LOW RANGE	1	
05	0GR0-061006-10000	SLIDE GEAR	1	
06	0180-061007-0050	CIRCLIP 25	4	25
07	0GR0-060100	NEEDLE BEARING 20x25x12	4	20X25X12
08	0GR0-061005	GEAR, HIGHRANGE	1	
09	0GR0-061004-00001	OUTPUT DRIVE GEAR	1	
10	0GR0-061008	WASHER	3	
11	0GR0-061003	GEAR, REVERSE	1	
12	0GR0-061009-00001	WASHER 25x34x1.5	1	25x34x1.5
13	0GR0-061002	GEAR, PARKING	1	
14	0GR0-060001	MAIN SHAFT	1	
15	0JY0-060001-00001	NUT, MAIN DRIVE SHAFT	1	
16	0GR0-060002	REVERSE GEAR	1	
17	30801-02005	CIRCLIPS FOR SHAFT 20	1	20

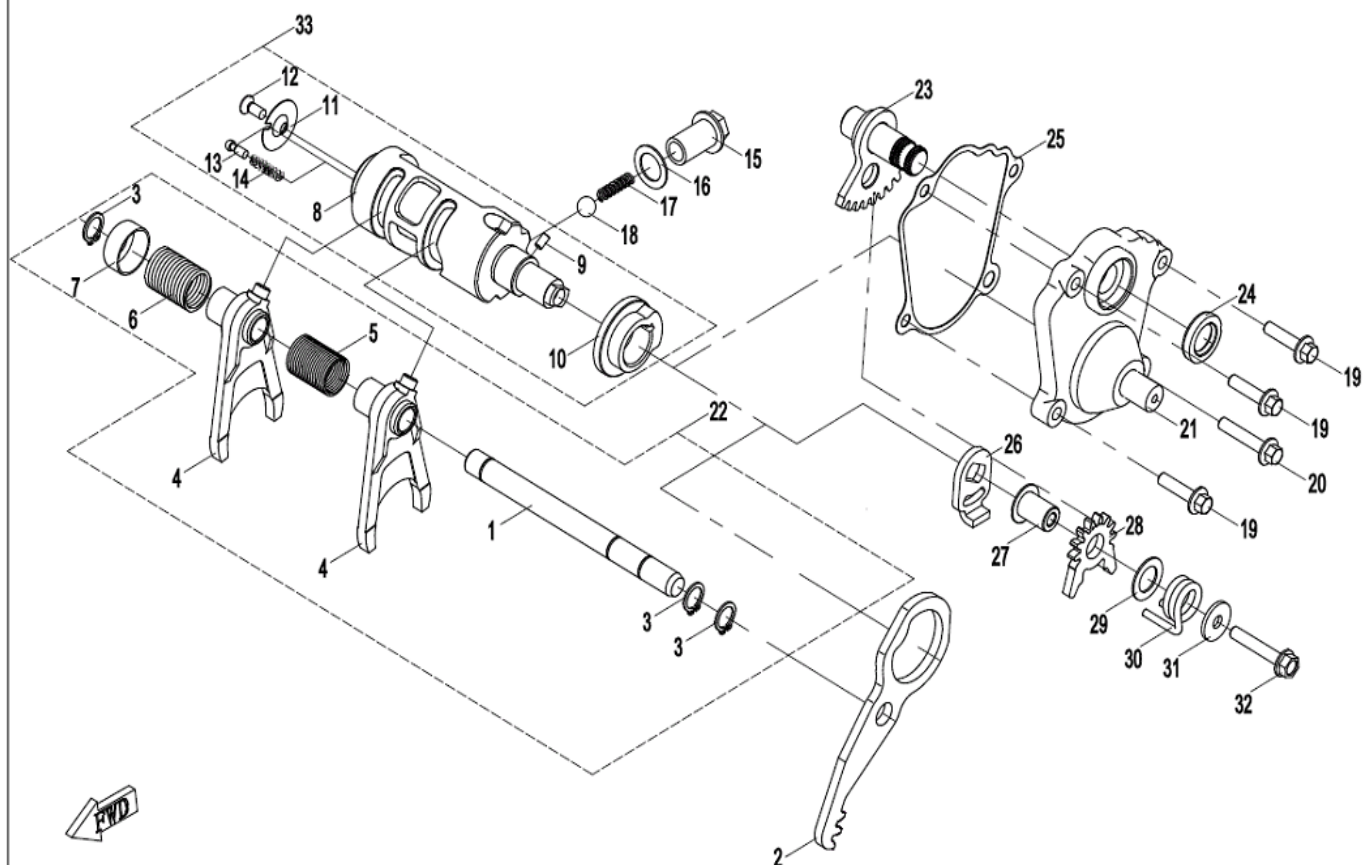
E06-2 换挡变速总成(2)/TRANSMISSION SYSTEM(2)



E06-2 RANSMISSION SYSTEM(2)

Item No.	Parts Number	Parts Name(EN)	Qty	Specification
01	0180-062101	DRIVE BEVEL GEAR SHAFT	1	
02	0180-061007-0050	CIRCLIP 25	2	25
03	0180-062102-00001	OUTPUT DRIVEN GEAR	1	
04	0180-062103-10000	BEARING SEAT, DRIVE BEVEL GEAR	1	
05	30499-02501	BEARING	1	25
06	0180-062104-0010	LIMITATOR, BEARING	2	
07	30124-080025810	SCREW M8x25	4	M8x25
08	0JYA-062104	BOLT M8x28	8	M8x28
09	0180-062105-0004	ADJUSTING WASHER, DRIVE SHAFT GEAR	1	t=0.35
09	0180-062105-0003	ADJUSTING WASHER, DRIVE SHAFT GEAR	1	t=0.3
09	0180-062105-0002	ADJUSTING GASKET, DRIVE BEVEL GEAR T=0.25	1	T=0.25
09	0180-062105-0001	ADJUSTING GASKET, DRIVE BEVEL GEAR T=0.2	1	T=0.2
09	0180-062105	ADJUSTING GASKET, DRIVE BEVEL GEAR T=0.15	1	T=0.15
10	0GR0-0622A0-10001	BEVEL GEAR ASSY	1	
11	0180-062107-00001	LOCK NUT, BEVEL GEAR	1	
12	0JWA-060002-00001	LOCK NUT, BEVEL GEAR	2	
13	0GR0-062204	WASHER 10x27.5x4	2	10x27.5x4
14	0800-062202-10001	DRIVEN BEVEL GEAR BEARING SEAT	1	
15	0800-062203-0004	ADJUSTING GASKET, DRIVEN BEVEL GEAR T=0.5	1	T=0.5
15	0800-062203-0003	ADJUSTING GASKET, DRIVEN BEVEL GEAR T=0.4	1	T=0.4
15	0800-062203-0002	ADJUSTING GASKET, DRIVEN BEVEL GEAR T=0.3	1	T=0.3
15	0800-062203-0001	ADJUSTING GASKET, DRIVEN BEVEL GEAR T=0.2	1	T=0.2
15	0800-062203	ADJUSTING GASKET, DRIVEN BEVEL GEAR T=0.1	1	T=0.1
16	0800-062204	OIL SEAL 35x50x7	1	35x50x7
17	0800-062205	O-SEAL RING 25x2	2	25x2
18	0800-062206	STOPPER NUT, BEARING	1	
19	0180-062205	O-SEAL RING 88x2.5	1	88x2.5
20	30400-03500	BEARING	1	35
21	9CR6-300201-10000	DRIVE SLEEVE, ENGINE	1	
22	0JWA-062302	OIL SEAL 35x61x9(14)	1	35x61x9
23	0180-060008	BEARING RETAINER, FRONT OUTPUT SHAFT	1	
24	30400-02501	BEARING	1	25
25	0GR0-062301-10001	FRONT OUTPUT SHAFT ASSY	1	
26	0GR0-060003	COUPLER	1	
27	30400-02502	BEARING	1	CHINA

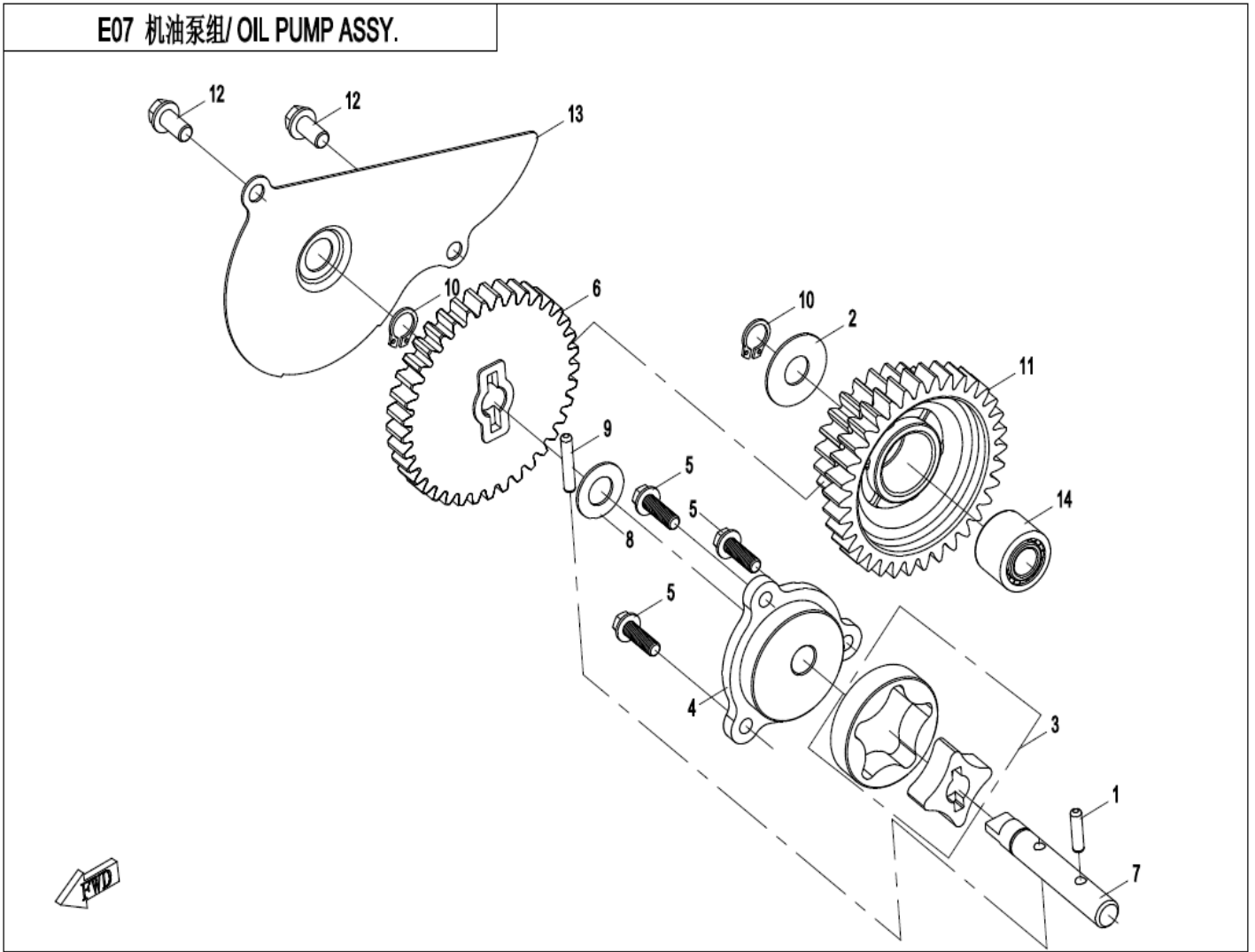
E06-3 换挡变速总成(3)/TRANSMISSION SYSTEM(3)



E06-3 TRANSMISSION SYSTEM (3)

Item No.	Parts Number	Parts Name(EN)	Qty	Specification
01	0800-063002	SHAFT, SHIFT FORK	1	
02	0GRO-063002	SWING ARM, PARKING	1	
03	30801-01205	CIRCLIPS FOR SHAFT12	3	12
04	0GRO-063001	SHIFT FORK	2	
05	0180-063003-0050	FORK SPRING, THIN	1	
06	0180-063005-0050	FORK SPRING, THICK	1	
07	0180-063006-0010	SPRING SEAT	1	
08	0GRO-064001	SHIFT DRUM	1	
09	0800-064002	PIN SHAFT	1	
10	0GRO-064002	CAM, PARKING	1	
11	0180-064001-0010	LIMIT GASKET	1	
12	0180-064002-00001	LOCK SCREW T25	1	
13	0180-064003-0050	GEAR CONTACTOR	1	
14	0180-064004-0050	SPRING, GEAR CONTACTOR	1	
15	0180-068001-00100	HOLLOW BOLT M14x1.5	1	M14x1.5
16	0180-068002	GASKET 14.4x22x1	1	14.4x22x1
17	0180-068003-0050	SPRING, LIMIT	1	
18	3120003	STEEL BALL3/8	1	3/8"
19	0010-021017-0010	BOLT M6x25	3	M6x25
20	0010-080012-0010	BOLT M6x32	1	M6x32
21	0800-065001-20000	GEARSHIFT COVER	1	
22	0GRO-0630A0	SHIFT FORK ASSY	1	
23	0180-065100-10001	SHIFT DRIVE SECTOR GEAR	1	
23	0180-065100-10002	DRIVE SECTOR GEAR	1	
24	0180-065002	OIL SEAL SD15x25x5	1	SD15x25x5
25	0GRO-065003	METAL GASKET, SECTOR GEAR	1	
26	0180-065201-0010	WASHER, DRIVEN SECTOR GEAR	1	
27	0180-065202-0050	SHAFT, DRIVEN SECTOR GEAR	1	
28	0180-065203	DRIVEN SECTOR GEAR	1	
29	0180-065204-0050	GASKET 13.5x22x1	1	13.5x22x1
30	0180-065205-0010	TORSION SPRING, DRIVEN SECTOR GEAR	1	
31	0180-065206-00001	WASHER 6.2x22x2	1	
32	0010-013008-0010	BOLT M6x35	1	M6x35
33	0GRO-064000	SHIFT DRUM ASSY	1	

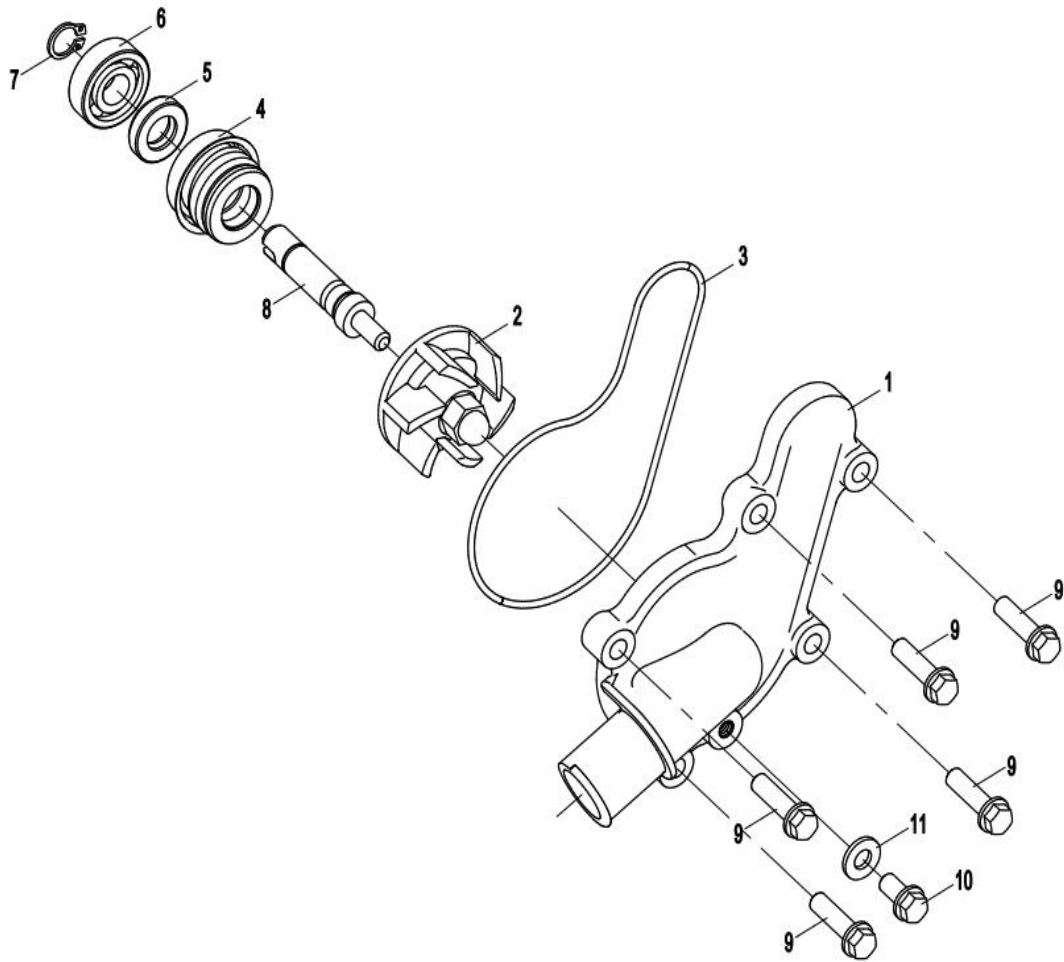
E07 机油泵组/OIL PUMP ASSY.



E07 OIL PUMP ASSY

Item No.	Parts Number	Parts Name(EN)	Qty	Specification
01	30406-00400	ROLLER NEEDLE P4x15.8	1	P4x15.8
02	0A80-050004	WASHER	1	
03	0GR0-0700A0	ROTOR ASSY, OIL PUMP	1	
04	0800-070003	COVER, OIL PUMP	1	
05	0010-030002-0020	BOLT M5x16	3	M5x16
06	0GR0-070004	DRIVE GEAR, OIL PUMP	1	
07	0GR0-070003	SHAFT, OIL PUMP	1	
08	0800-011005	WASHER 10	1	10
09	30406-00402	ROLLER NEEDLE P4x21.8	1	P4x21.8
10	30801-01005	CIRCLIPS FOR SHAFT10	2	10
11	0GR0-070005	DUAL GEAR, OIL PUMP	1	
12	0010-021019-0010	BOLT M6x12	2	M6x12
13	0GR0-070006	OIL GUARD	1	
14	0GR0-070100	NEEDLE BEARING 10x22x16	1	10X22X16

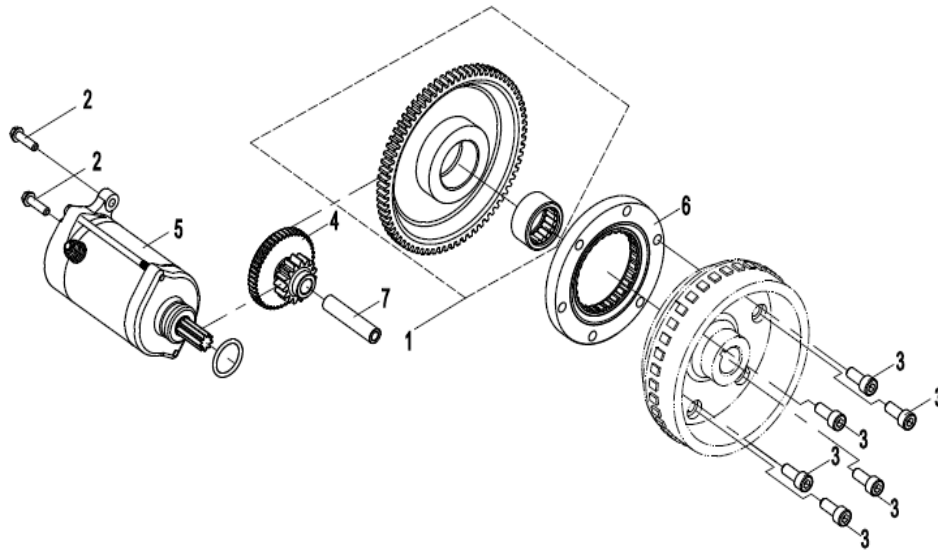
E08 水泵组/ WATER PUMP ASSY



E08 WATER PUMP ASSY

Item No.	Parts Number	Parts Name(EN)	Qty	Specification
01	0GR0-080001	WATER PUMP COVER	1	
02	0180-081001-00001	IMPELLER, WATER PUMP.	1	
03	0GR0-080002	SEAL RING, WATER PUMP	1	
04	0700-081200	WATER SEAL ASSY	1	
05	0110-080005	OIL SEAL 10x20x5	1	10x20x5
06	30400-01000	BEARING	1	6000
07	30801-01005	CIRCLIPS FOR SHAFT10	1	10
08	0180-081004-0050	WATER PUMP SHAFT	1	
09	0010-080013-0010	BOLT M6x22	5	M6x22
10	0010-021019-0010	BOLT M6x12	1	M6x12
11	0010-060009	WASHER 6	1	6

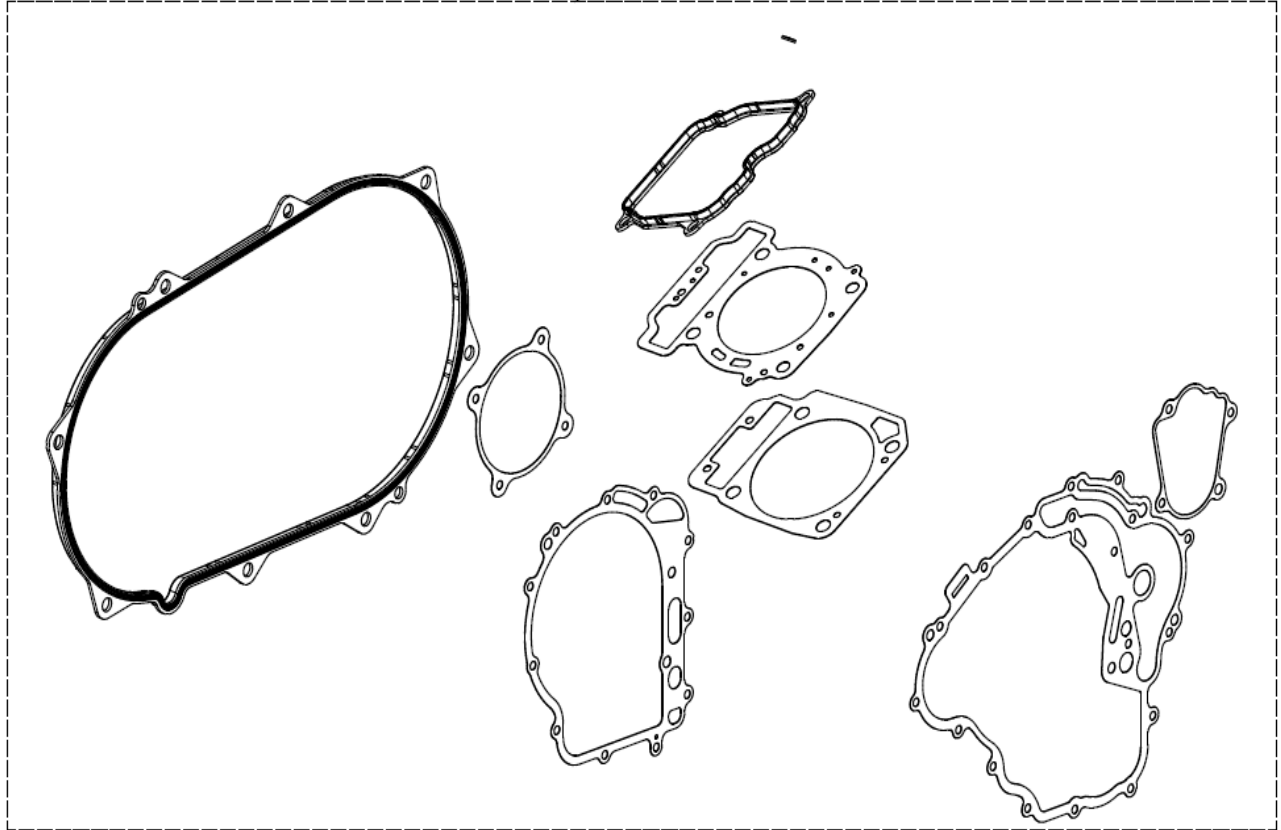
E09 启动系统 / STARTING SYSTEM



E09 STATER MOTOR

Item No.	Parts Number	Parts Name(EN)	Qty	Specification
01	0180-0910A0	DRIVEN GEAR ASSY, STARTER	1	
01	0180-0910A0-00001	DRIVEN GEAR ASSY	1	
02	0010-080013-0010	BOLT M6x22	2	M6x22
03	30102-080020810	SCREW M8x20	6	M8x20
04	0GR0-091002	STARTER DUAL GEAR	1	
05	0GR0-091100	STARTING MOTOR	1	
05	0GSV-093000-1100	START MOTOR	1	
06	0180-091200	OVERRIDING CLUTCH	1	
07	0180-091006	AXLE, DUAL GEAR	1	

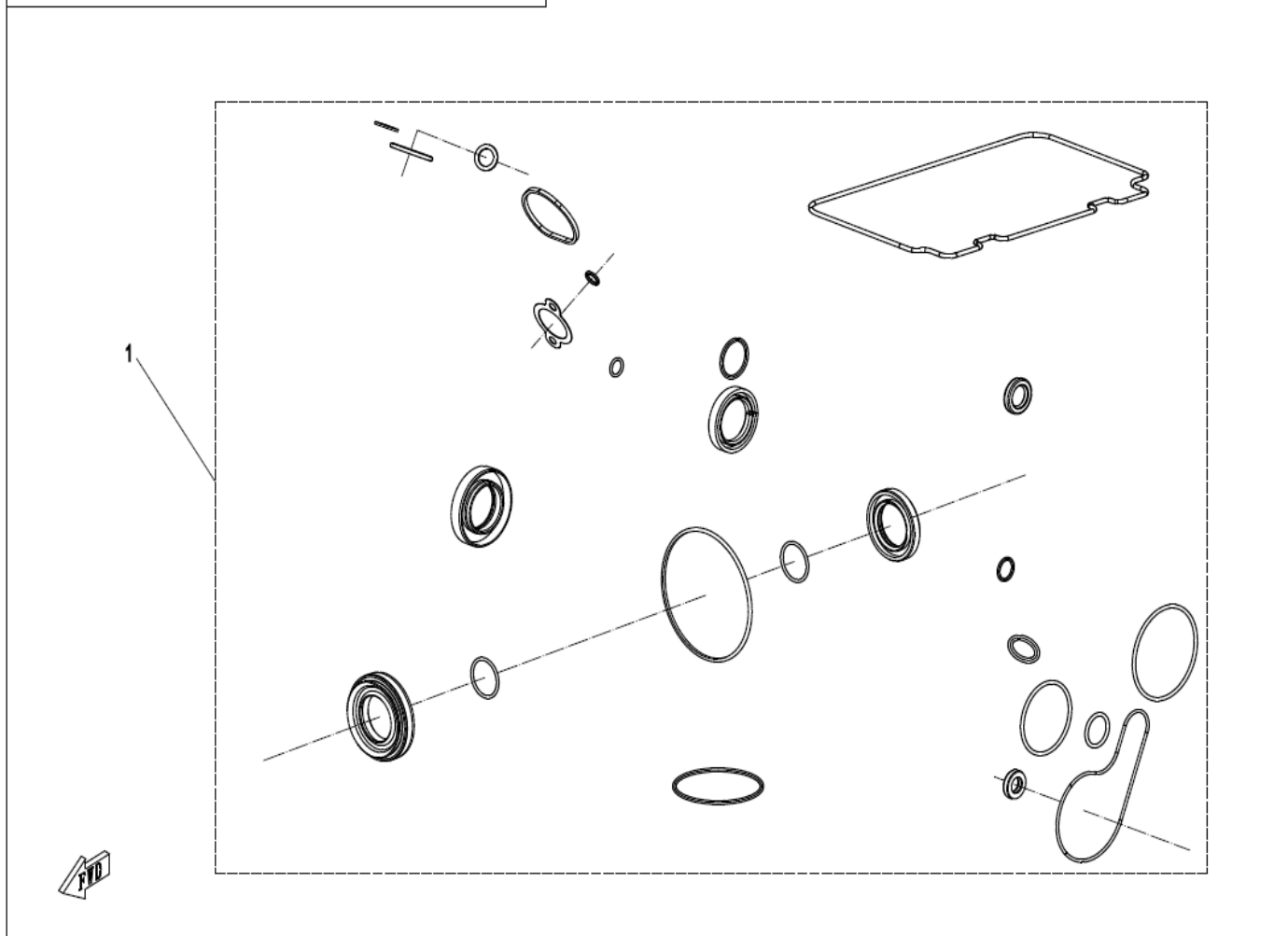
发动机垫片系列 ENGINE GASKET SET



E29 ENGINE GASKET KIT

Item No.	Parts Number	Parts Name(EN)	Qty	Specification
01	OGS0-0000A0-00001	GASKET KIT, ENGINE	1	

发动机油封及O型圈/ ENGINE OIL SEAL&O-RING



E30 ENGINE OIL SEAL &O-RING

Item No.	Parts Number	Parts Name(EN)	Qty	Specification
01	0GS0-0000A1	OIL SEAL & O-SEAL RING KIT, ENGINE	1	