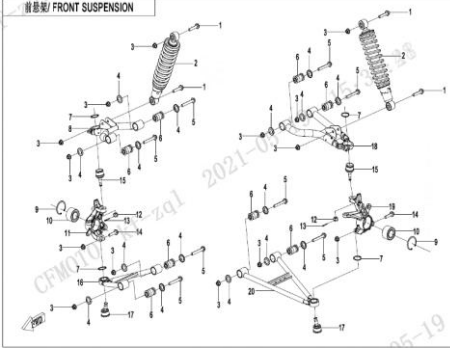
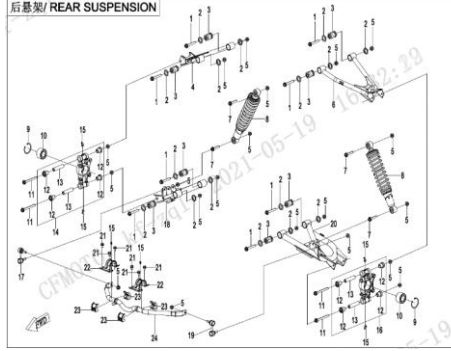
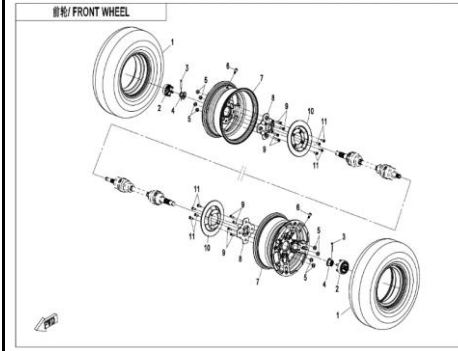
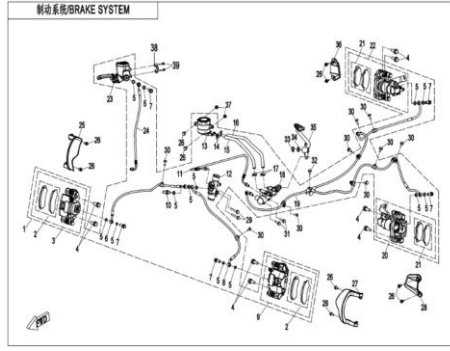
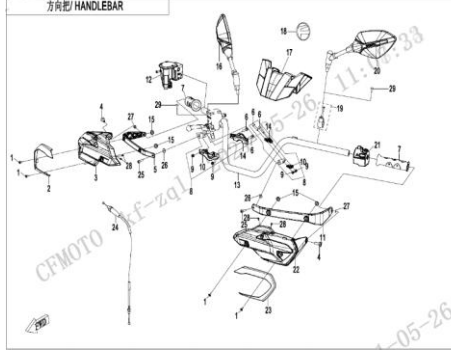
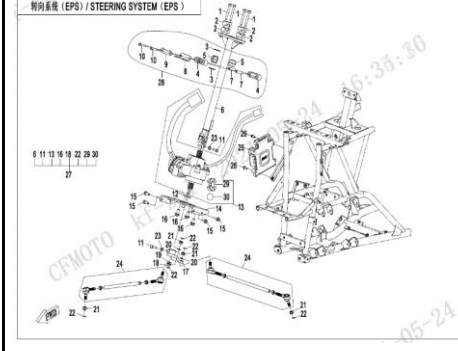
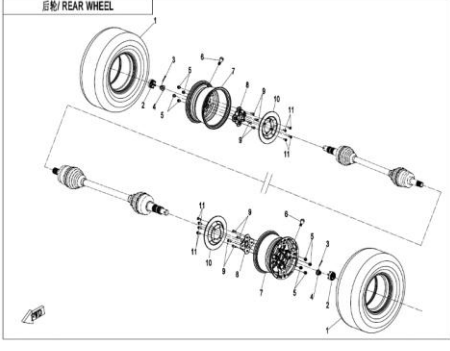
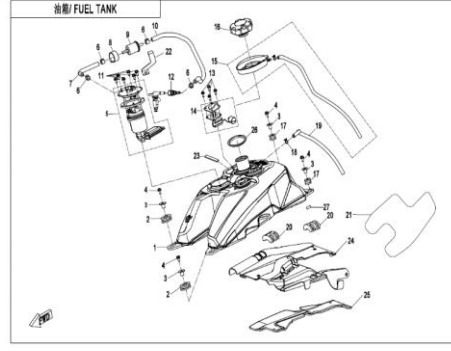
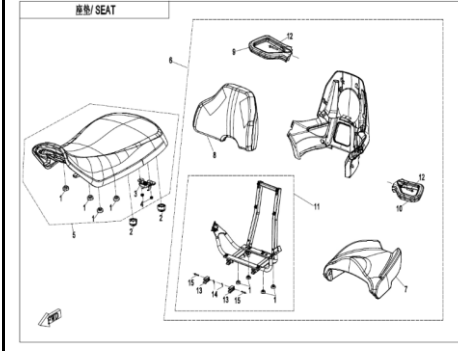
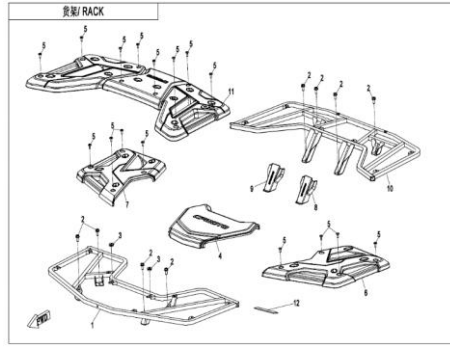
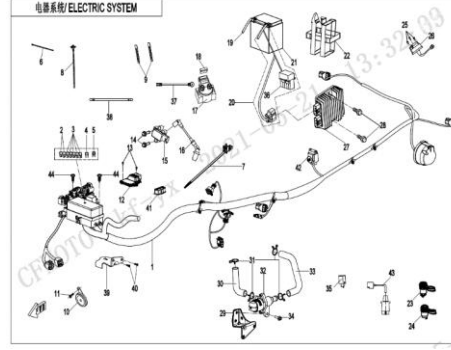
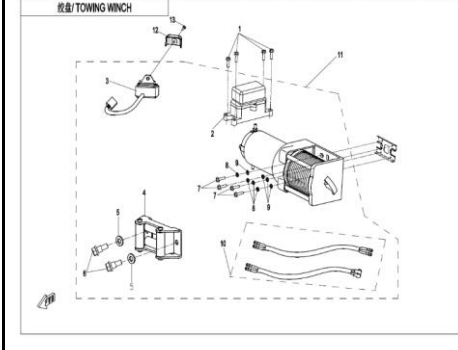


# CONTENTS—FRAME GROUP

|   |  |   |
|---|--|---|
| <p><b>F05</b></p> <p style="text-align: center;"><b>FRONT SUSPENSION</b></p> <p style="text-align: center;">前悬架/ FRONT SUSPENSION</p>  | <p><b>F06</b></p> <p style="text-align: center;"><b>REAR SUSPENSION</b></p> <p style="text-align: center;">后悬架/ REAR SUSPENSION</p>                | <p><b>F07</b></p> <p style="text-align: center;"><b>FRONT WHEEL</b></p> <p style="text-align: center;">前轮/ FRONT WHEEL</p>                                     |
| <p><b>F08-C</b></p> <p style="text-align: center;"><b>BRAKE SYSTEM</b></p> <p style="text-align: center;">制动系统/ BRAKE SYSTEM</p>       | <p><b>F10-1-V3</b></p> <p style="text-align: center;"><b>HANDLEBAR</b></p> <p style="text-align: center;">方向把/ HANDLEBAR</p>                       | <p><b>F10-2-B-V2</b></p> <p style="text-align: center;"><b>STEERING SYSTEM(EPS)</b></p> <p style="text-align: center;">转向系统 (EPS) / STEERING SYSTEM (EPS)</p>  |
| <p><b>F11</b></p> <p style="text-align: center;"><b>REAR WHEEL</b></p> <p style="text-align: center;">后轮/ REAR WHEEL</p>             | <p><b>F12-V2</b></p> <p style="text-align: center;"><b>FUEL TANK</b></p> <p style="text-align: center;">油箱/ FUEL TANK</p>                        | <p><b>F13</b></p> <p style="text-align: center;"><b>SEAT</b></p> <p style="text-align: center;">座椅/ SEAT</p>   |
| <p><b>F14-V2</b></p> <p style="text-align: center;"><b>RACK</b></p> <p style="text-align: center;">货架/ RACK</p>                      | <p><b>F15-1-A-V3</b></p> <p style="text-align: center;"><b>ELECTRIC SYSTEM(NA)</b></p> <p style="text-align: center;">电源系统/ ELECTRIC SYSTEM</p>  | <p><b>F15-2</b></p> <p style="text-align: center;"><b>TOWING WINCH</b></p> <p style="text-align: center;">绞盘/ TOWING WINCH</p>                               |

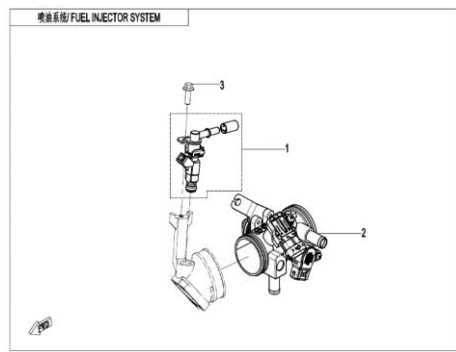
# CONTENTS—FRAME GROUP

|   |  |   |
|---|--|---|
| <p><b>F00</b></p> <p style="text-align: center;"><b>CVT AIR PIPE&amp;SIDE COVER</b></p>                 | <p><b>F01-A-V2</b></p> <p style="text-align: center;"><b>LOCK KIT(WITH GEARSHIFT LOCK)</b></p> | <p><b>F02-A</b></p> <p style="text-align: center;"><b>MUFFLER(NA)</b></p>     |
| <p><b>F03-V3</b></p> <p style="text-align: center;"><b>FRAME</b></p>                                    | <p><b>F04-1-V2</b></p> <p style="text-align: center;"><b>FRONT PLASTICS</b></p>                | <p><b>F04-2</b></p> <p style="text-align: center;"><b>FRONT PLASTICS</b></p>  |
| <p><b>F04-3-A-V3</b></p> <p style="text-align: center;"><b>MIDDLE PLASTICS(WITH GEARSHIFT LOCK)</b></p> | <p><b>F04-4-V2</b></p> <p style="text-align: center;"><b>MIDDLE PLASTICS</b></p>               | <p><b>F04-5</b></p> <p style="text-align: center;"><b>REAR PLASTICS</b></p>   |
| <p><b>F04-6</b></p> <p style="text-align: center;"><b>REAR PLASTICS</b></p>                             | <p><b>F04-7-V2</b></p> <p style="text-align: center;"><b>BOTTOM PLASTICS</b></p>               | <p><b>F04-8</b></p> <p style="text-align: center;"><b>BOTTOM PLASTICS</b></p> |

# CONTENTS-FRAME GROUP

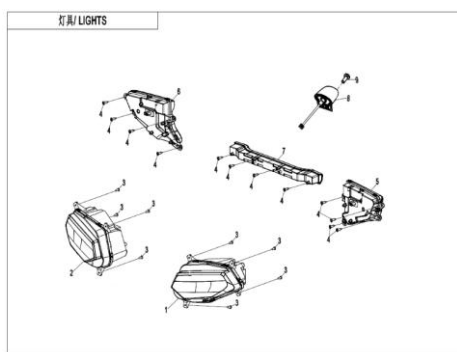
F15-3-V2

## FUEL INJECTION SYSTEM



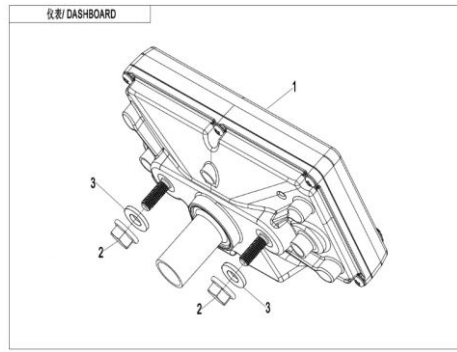
F16

## LIGHTS



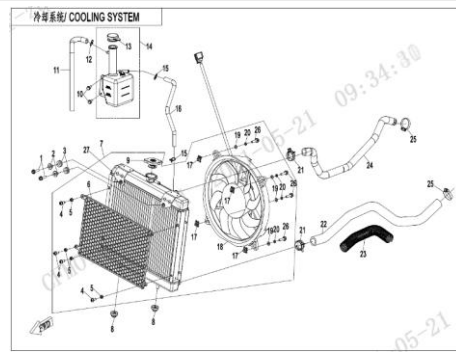
F17

## DASHBOARD



F18-1-V2

## COOLING SYSTEM



F19-1-A

## DECAL KITS(FROCE RED)



F19-1-B

## DECAL KITS(VELOCITY GREY)



F19-1-C

## DECAL KITS(NUBULA WHITE)



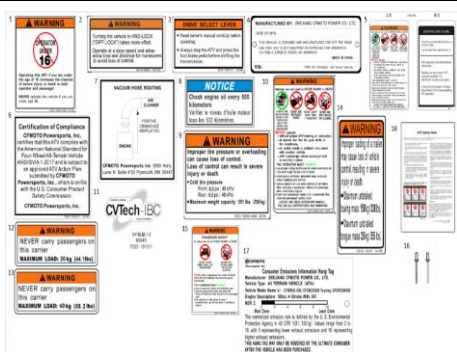
F19-1-D

## DECAL KITS(TT CAMO)



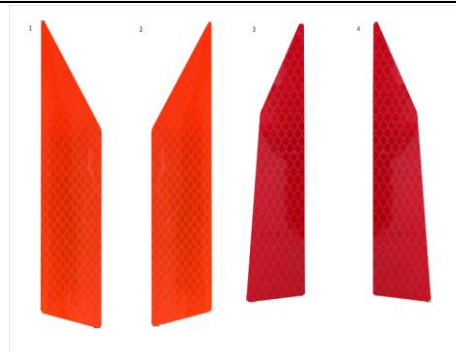
F19-2-A-V2

## WARNING DECAL(NA)



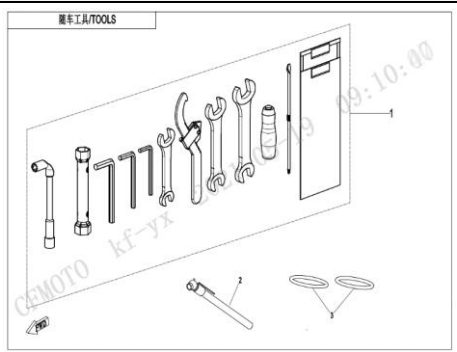
F19-3

## REFLECT FILM



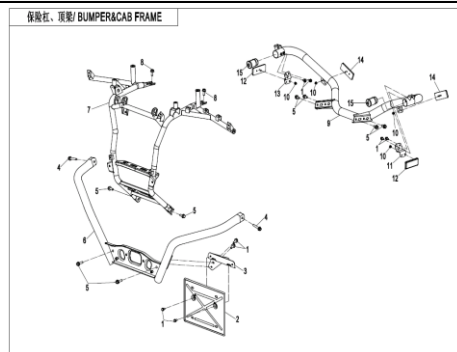
F20-V2

## TOOLS

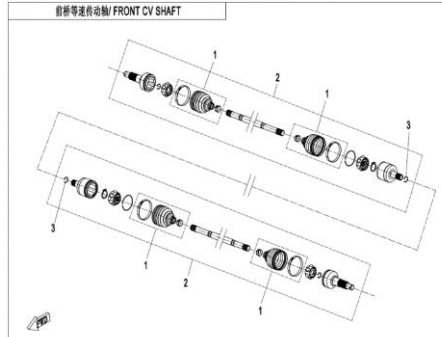
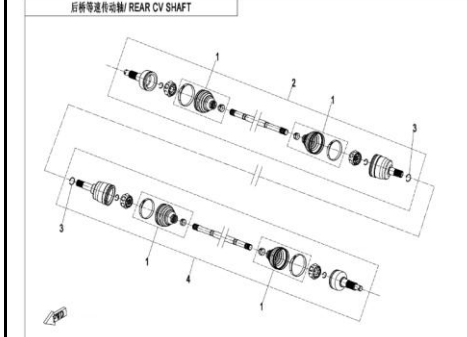
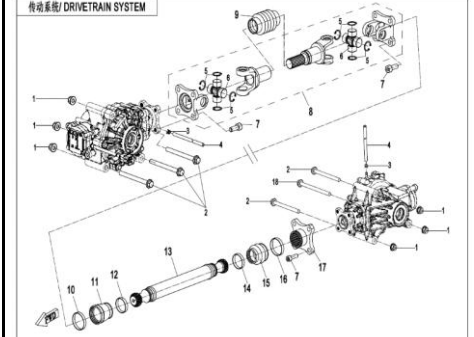
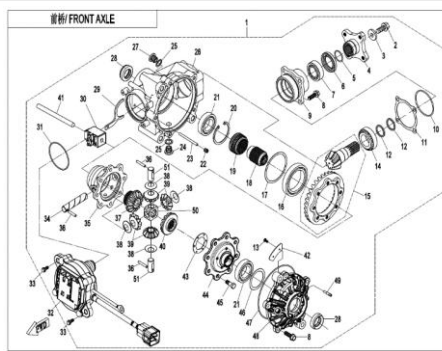
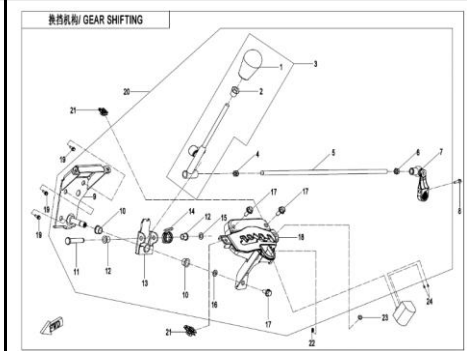
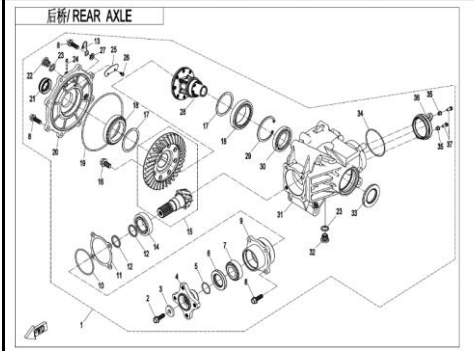
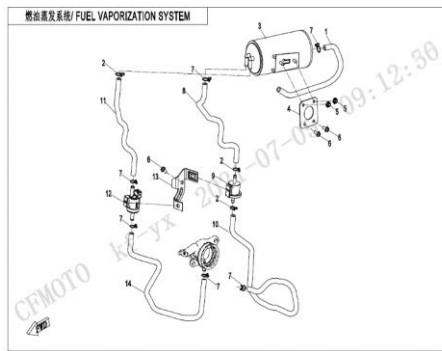

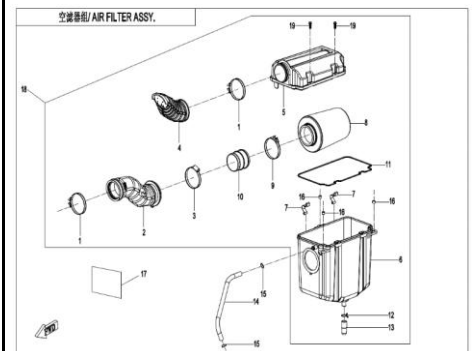


F23-V2

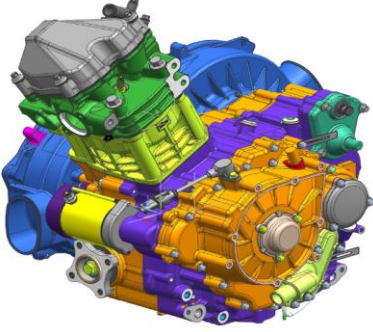
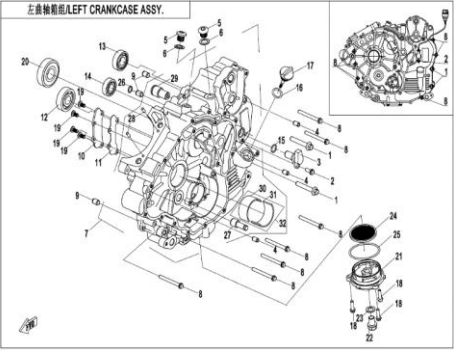
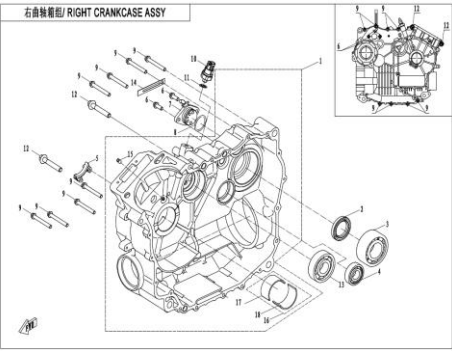
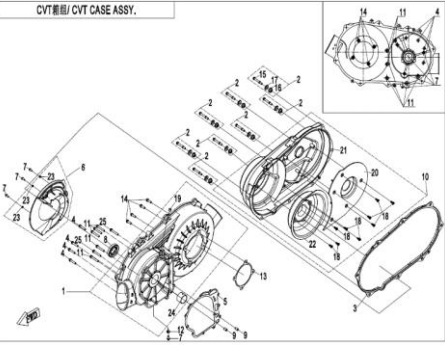
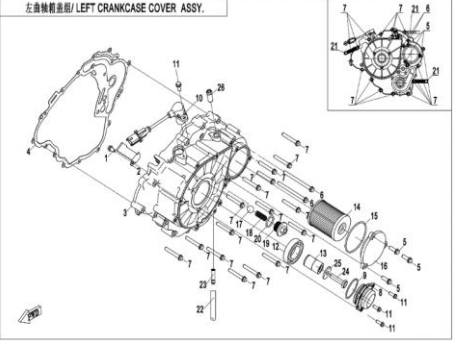
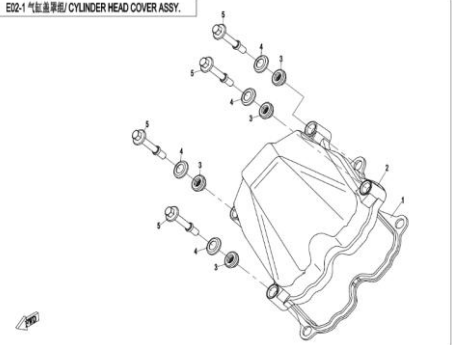
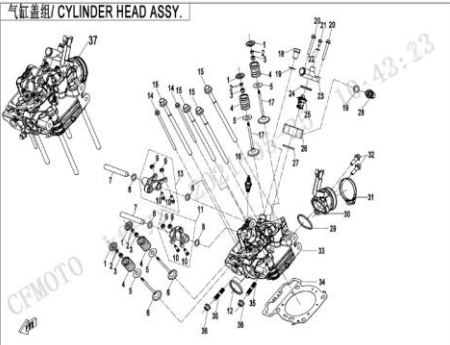
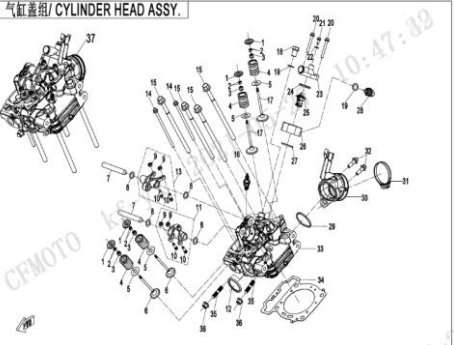
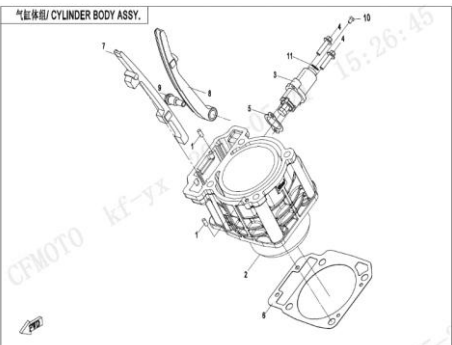
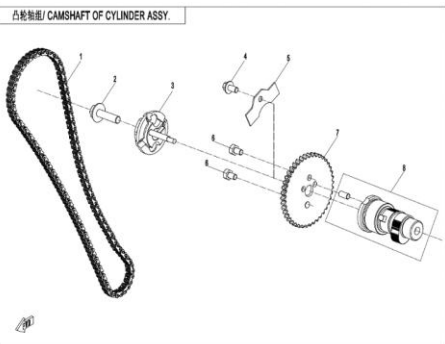
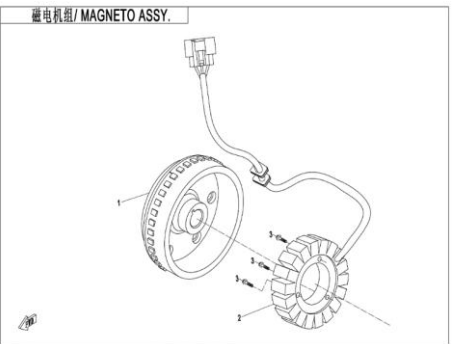
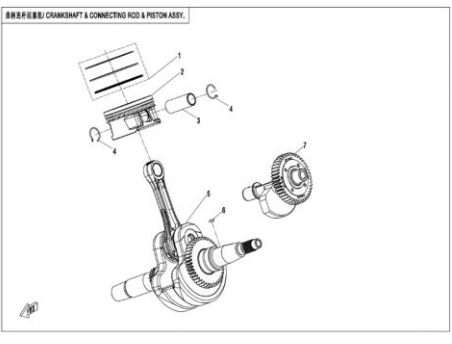
## BUMPER & CAB FRAME



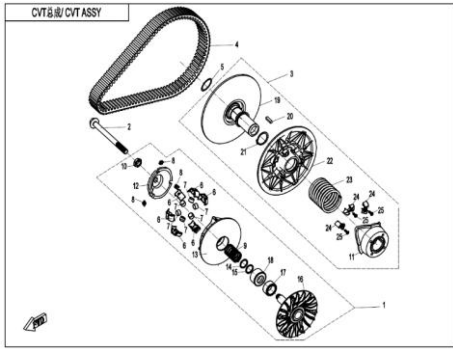
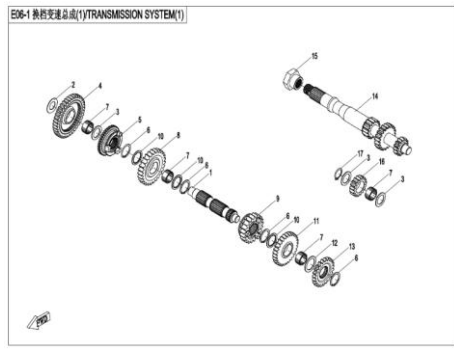
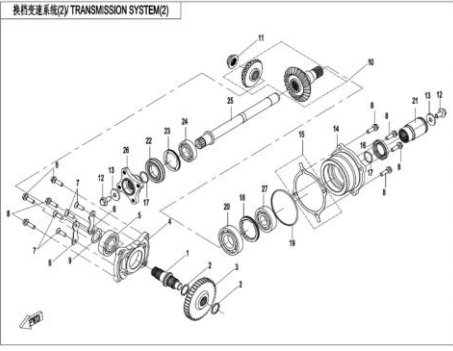
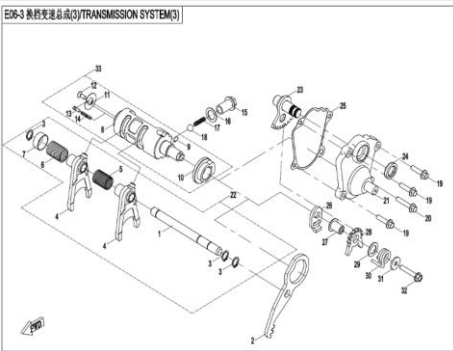
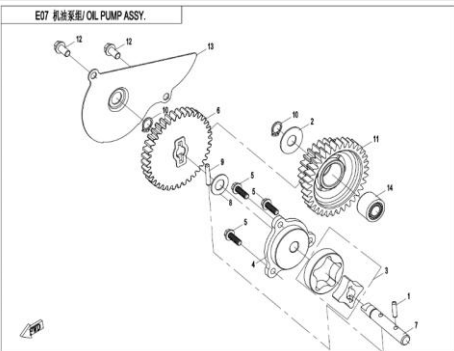
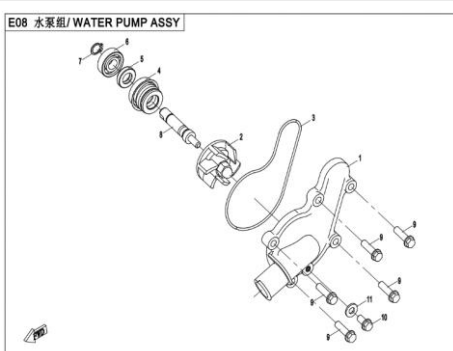
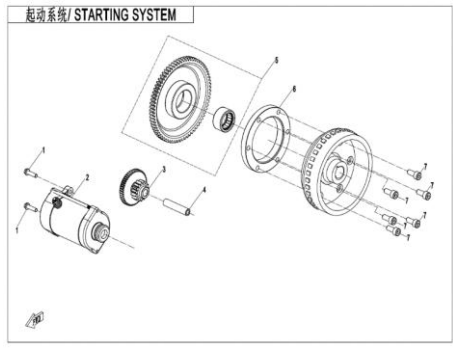
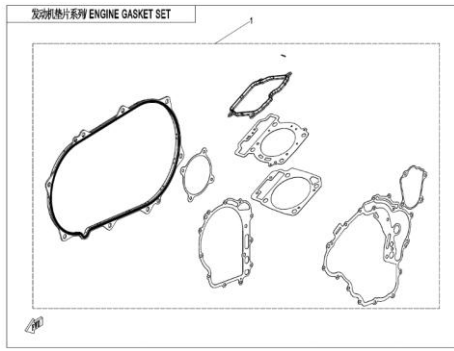
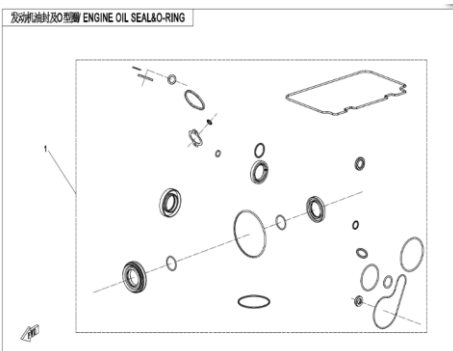
# CONTENTS—FRAME GROUP

|   |   |   |
|---|---|---|
| <p><b>F27</b></p> <p>FRONT CV SHAFT</p> <p>前桥等速传动轴/ FRONT CV SHAFT</p>                       | <p><b>F28</b></p> <p>REAR CV SHAFT</p> <p>后桥等速传动轴/ REAR CV SHAFT</p>  | <p><b>F30</b></p> <p>DRIVETRAIN SYSTEM</p> <p>传动系统/ DRIVETRAIN SYSTEM</p>  |
| <p><b>F31-V2</b></p> <p>F31-V2</p> <p>前桥/ FRONT AXLE</p>                                     | <p><b>F32</b></p> <p>GEAR SHIFTING</p> <p>换挡机构/ GEAR SHIFTING</p>     | <p><b>F33-A</b></p> <p>REAR AXLE(NA)</p> <p>后桥/ REAR AXLE</p>              |
| <p><b>F36</b></p> <p>FUEL VAPORIZATION SYSTEM</p> <p>燃油蒸发系统/ FUEL VAPORIZATION SYSTEM</p>  | <p><b>F38</b></p> <p>OWNER'S MANUAL(NA)</p>                         | <p><b>F41</b></p> <p>AIR FILTER ASSY.</p> <p>空滤器/ AIR FILTER ASSY.</p>   |
| <p>CFMOTO Key 2024-07-09 09:12:50</p>   |   |   |

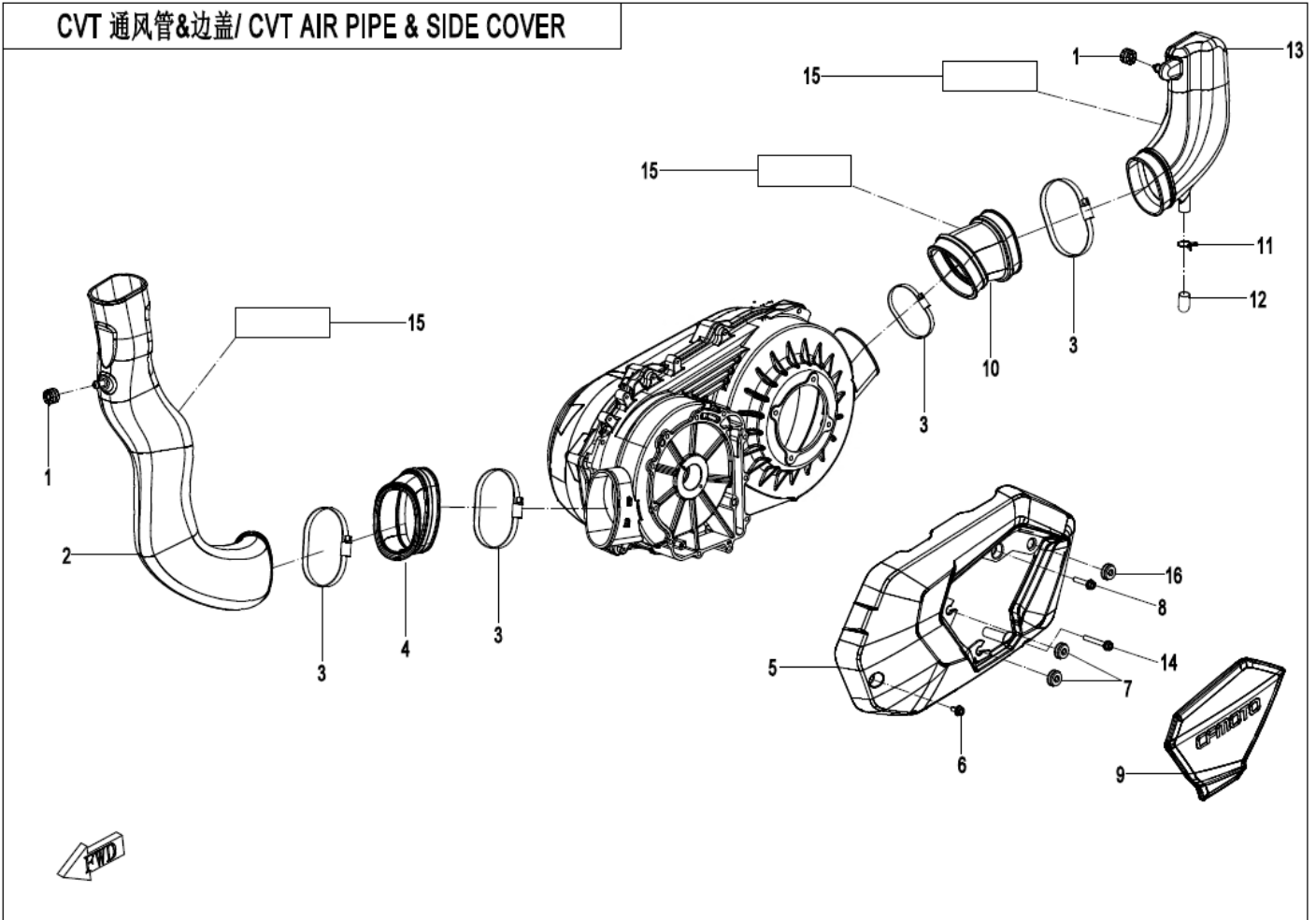
# CONTENTS—ENGINE GROUP

|  |  |  |
|--|--|--|
| <p><b>E00</b></p> <p style="text-align: center;"><b>191S ENGINE</b></p>   | <p><b>E01-1</b></p> <p style="text-align: center;"><b>LEFT CRANKCASE ASSY</b></p> <p>左曲轴箱组/LEFT CRANKCASE ASSY.</p>                | <p><b>E01-2-V2</b></p> <p style="text-align: center;"><b>RIGHT CRANKCASE ASSY</b></p> <p>右曲轴箱组/RIGHT CRANKCASE ASSY.</p>    |
| <p><b>E01-3</b></p> <p style="text-align: center;"><b>CVT CASE ASSY.</b></p> <p>CVT 箱体/ CVT CASE ASSY.</p>                          | <p><b>E01-4</b></p> <p style="text-align: center;"><b>LEFT CRANKCASE COVER ASSY.</b></p> <p>左曲轴箱盖组/LEFT CRANKCASE COVER ASSY.</p>  | <p><b>E02-1</b></p> <p style="text-align: center;"><b>CYLINDER HEAD COVER ASSY</b></p> <p>E02-1 气缸盖罩组/ CYLINDER HEAD COVER ASSY.</p>    |
| <p><b>E02-2-A</b></p> <p style="text-align: center;"><b>CYLINDER HEAD ASSY</b></p> <p>气缸盖组/ CYLINDER HEAD ASSY.</p>               | <p><b>E02-2-B</b></p> <p style="text-align: center;"><b>CYLINDER HEAD ASSY</b></p> <p>气缸盖组/ CYLINDER HEAD ASSY.</p>              | <p><b>E02-3-V2</b></p> <p style="text-align: center;"><b>CYLINDER BODY ASSY.</b></p> <p>气缸体组/ CYLINDER BODY ASSY.</p>   |
| <p><b>E02-4</b></p> <p style="text-align: center;"><b>CAMSHAFT OF CYLINDER ASSY.</b></p> <p>凸轮轴组/ CAMSHAFT OF CYLINDER ASSY.</p>  | <p><b>E03-B</b></p> <p style="text-align: center;"><b>MAGNETO ASSY.</b></p> <p>磁电机组/ MAGNETO ASSY.</p>                           | <p><b>E04-B-V2</b></p> <p style="text-align: center;"><b>CRANKSHAFT &amp; CONN ROD &amp; PISTON ASSY.</b></p> <p>曲轴连杆组/ CRANKSHAFT &amp; CONNECTING ROD &amp; PISTON ASSY.</p>  |

# CONTENTS—ENGINE GROUP

|   |   |  |
|---|---|--|
| <p><b>E05-V2</b></p> <p style="text-align: center;"><b>CLUTCH &amp; CVT ASSY.</b></p>  | <p><b>E06-1</b></p> <p style="text-align: center;"><b>TRANSMISSION SYSTEM(1)</b></p>  | <p><b>E06-2</b></p> <p style="text-align: center;"><b>TRANSMISSION SYSTEM(2)</b></p>        |
| <p><b>E06-3</b></p> <p style="text-align: center;"><b>TRANSMISSION SYSTEM(3)</b></p>   | <p><b>E07</b></p> <p style="text-align: center;"><b>OIL PUMP ASSY</b></p>             | <p><b>E08</b></p> <p style="text-align: center;"><b>WATER PUMP ASSY</b></p>                 |
| <p><b>E09</b></p> <p style="text-align: center;"><b>STARTING SYSTEM</b></p>          | <p><b>E29</b></p> <p style="text-align: center;"><b>ENGINE GASKET KIT</b></p>       | <p><b>E30</b></p> <p style="text-align: center;"><b>ENGINE OIL SEAL &amp; O-RING</b></p>  |
|   |   |  |
|   |   |  |

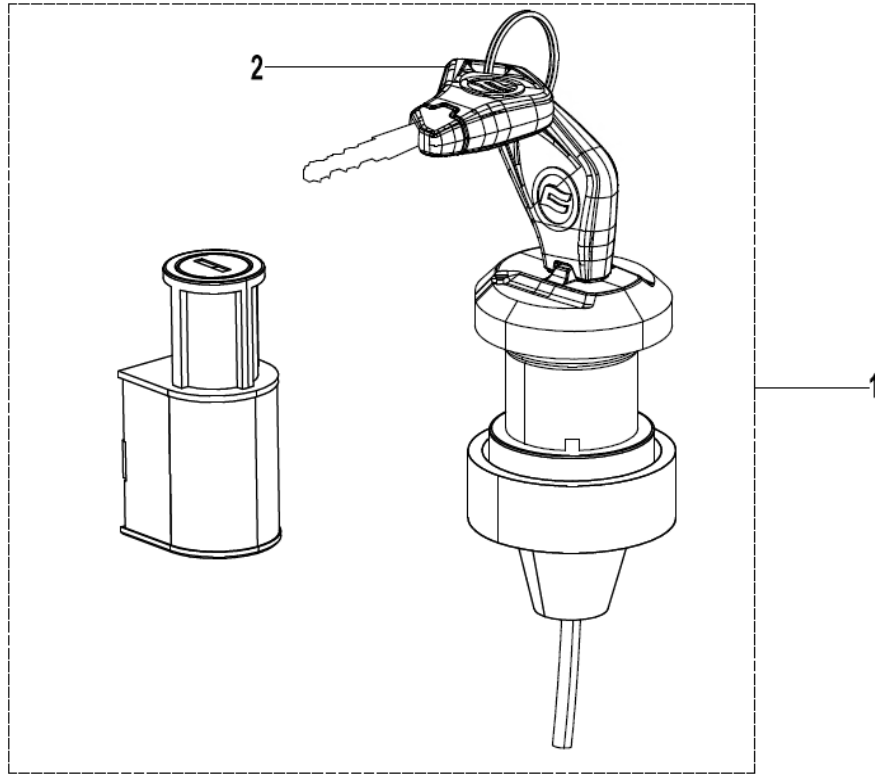
CVT 通风管&边盖/ CVT AIR PIPE & SIDE COVER



F00 CVT AIR PIPE&SIDE COVER

| Item No. | Parts Number     | Parts Name(EN)                       | Qty | Specification |
|----------|------------------|--------------------------------------|-----|---------------|
| 01       | 5020-031001      | RUBBER SLEEVE, FRONT LICENSE BRACKET | 2   |               |
| 02       | 9DS#-001002-6000 | AIR INLET PIPE, CVT                  | 1   |               |
| 03       | 9010-000105      | A-TYPE SCREW CLAMP 78-101            | 4   | 78-101        |
| 04       | 9DS#-001001-6000 | JOINT, CVT AIR INLET PIPE            | 1   |               |
| 05       | 9DS#-044051-6002 | LH COVER, ENGINE                     | 1   |               |
| 05       | 9DSV-044051-6003 | LH COVER, ENGINE                     | 1   |               |
| 06       | 30006-060012870  | BOLT M6x12                           | 1   | M6x12         |
| 07       | 5BY0-040010      | RUBBER SLEEVE                        | 2   |               |
| 08       | 30006-060030870  | BOLT M6x30                           | 1   | M6x30         |
| 09       | 9DSV-044052-6K00 | CAP, OIL FILLER                      | 1   |               |
| 10       | 9CS#-001004-6400 | CONNECTOR ,CVT AIR OUTLET PIPE       | 1   |               |
| 11       | 30601-117010     | CLAMP A17                            | 1   | A17           |
| 12       | 0180-110005      | OIL STORAGE HOSE                     | 1   |               |
| 13       | 9CS#-001003-6400 | AIR OUTLET PIPE, CVT                 | 1   |               |
| 14       | 30006-060055870  | BOLT M6x55                           | 1   | M6x55         |
| 15       | TFQ004           | SCROLL PAPER, HEAT INSULATION        | 3   | 50*0.062      |
| 16       | A000-040302      | RUBBER DAMPER                        | 1   |               |

锁具/ LOCK KIT

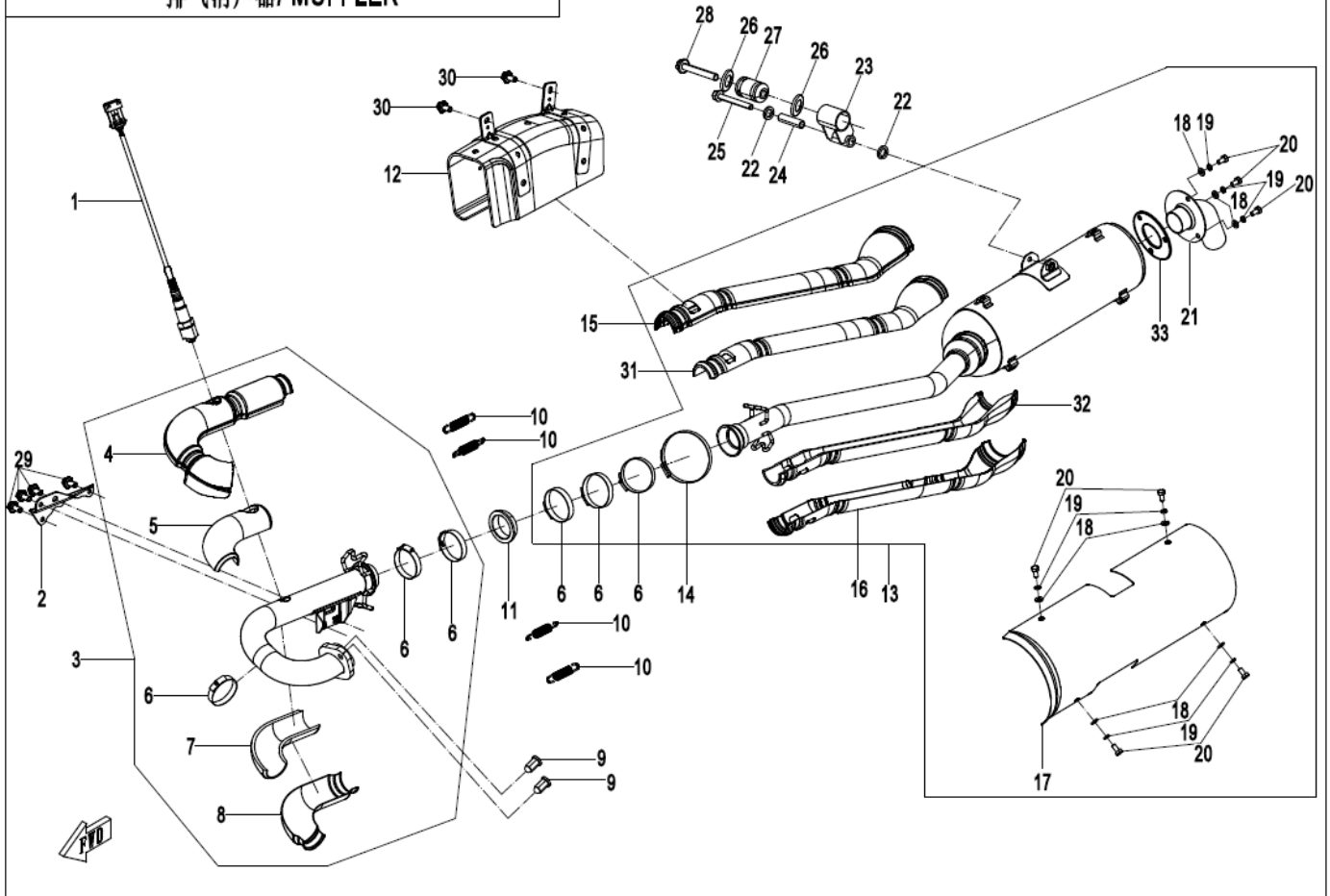


F01-A-V2 LOCK KIT(WITH GEARSHIFT LOCK)

| Item No. | Parts Number           | Parts Name(EN) | Qty | Specification |
|----------|------------------------|----------------|-----|---------------|
| 01       | 9DSV-011000-7200       | LOCK KIT       | 1   |               |
| 02       | 9DSV-011070-6000-0MP00 | KEY KIT        | 1   |               |



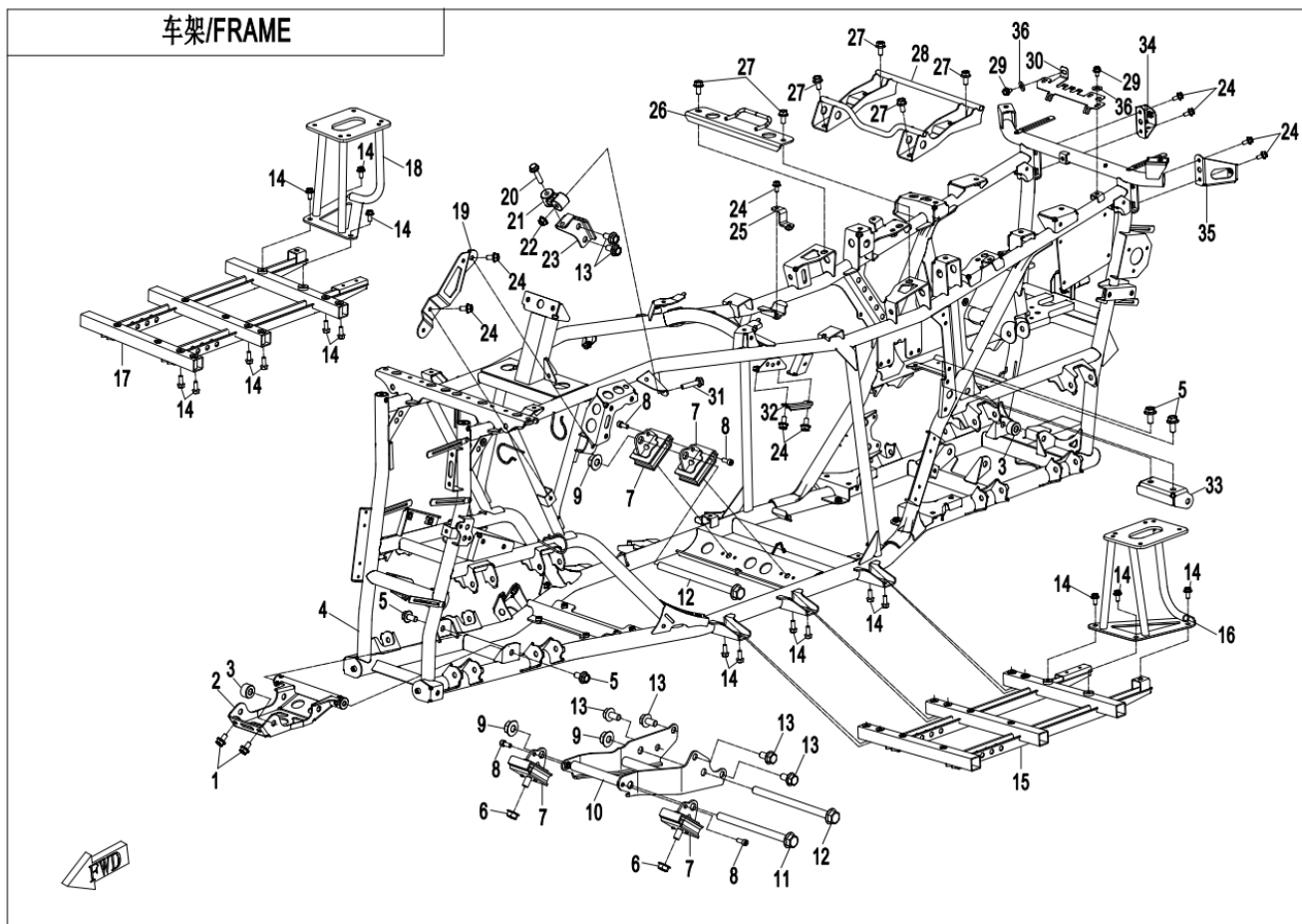
排气消声器/ MUFFLER



F02-A MUFFLER(NA)

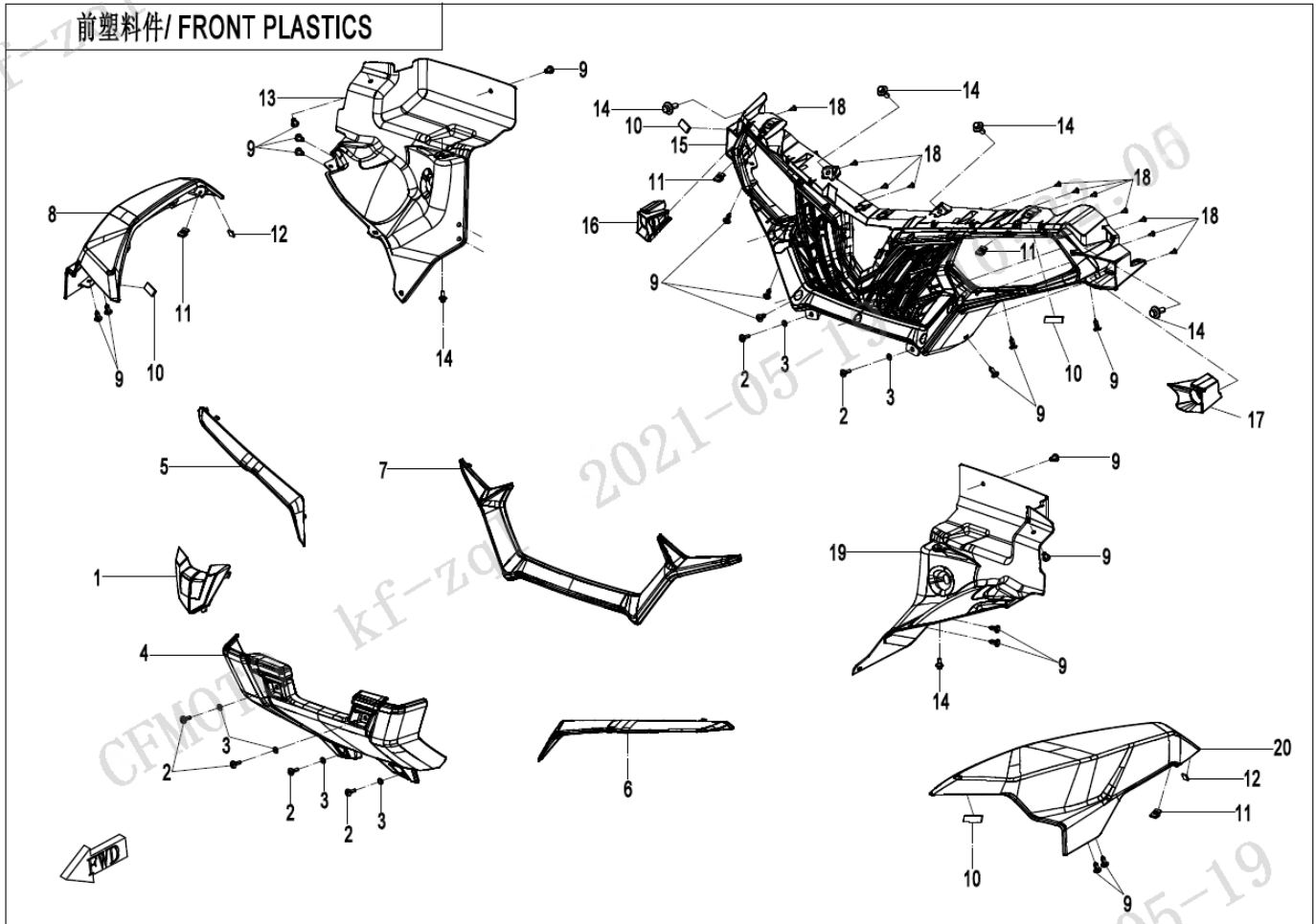
| Item No. | Parts Number        | Parts Name(EN)                           | Qty | Specification |
|----------|---------------------|--|-----|---------------|
| 01       | OHU0-176000         | OXYGEN SENSOR                            | 1   |               |
| 02       | 9GQ0-020001-00002   | SUPPORT PLATE, FRONT EXHAUST PIPE        | 1   |               |
| 03       | 9DS#-021100-6000    | EXHAUST PIPE ASSY                        | 1   |               |
| 04       | 9DS#-021101-6000    | UPPER HEAT INSULATOR, FRONT EXHAUST PIPE | 1   |               |
| 05       | 9DS#-021100-6000-20 | UPPER HEAT INSULATOR                     | 1   |               |
| 06       | 7030-021305         | SCREW CLAMP, A-TYPE                      | 6   |               |
| 07       | 9DS#-021100-6000-21 | LOWER HEAT INSULATOR                     | 1   |               |
| 08       | 9DS#-021102-6000    | LOWER HEAT INSULATOR, FRONT EXHAUST PIPE | 1   |               |
| 09       | 8010-020001         | NUT M8, MUFFLER JOINT                    | 2   | M8            |
| 10       | 9CR6-020002-00001   | DRAG SPRING, MUFFLER                     | 4   |               |
| 11       | 9AWA-021003-00001   | SMALL GRAPHITE RING                      | 1   |               |
| 12       | 9DS#-020010-6000    | HEAT INSULATOR ASSY, SPRING              | 1   |               |
| 13       | 9CS#-021200-6401    | MUFFLER ASSY                             | 1   |               |
| 14       | 9030-000109         | SCREW CLAMP, A-TYPE                      | 1   | 70~90         |
| 15       | 9CS#-021201-6600    | UPPER HEAT INSULATOR, EXHAUST PIPE       | 1   |               |
| 16       | 9CS#-021202-6600    | LOWER HEAT INSULATOR, EXHAUST PIPE       | 1   |               |
| 17       | 9CR6-021203         | HEAT INSULATOR, MUFFLER BODY             | 1   |               |
| 18       | 30306-060800        | WASHER 6                                 | 7   | 6             |
| 19       | 30303-060900        | WASHER                                   | 7   | 6             |
| 20       | 30000-060010700     | BOLT M6x10                               | 7   | M6x10         |
| 21       | 7020-021320-10000   | SPARK ARRESTOR                           | 1   |               |
| 22       | 9CR6-020003         | WIRE WASHER                              | 2   |               |
| 23       | 9CR6-020020         | MOUNT ASSY, MUFFLER                      | 1   |               |
| 24       | 7020-020001         | LINER, MUFFLER                           | 1   |               |
| 25       | 30006-080065810     | BOLT M8x65                               | 1   | M8x65         |
| 26       | 9010-050003         | CAP, CUSHION SLEEVE                      | 2   |               |
| 27       | 9010-050500         | CUSHION SLEEVE                           | 1   |               |
| 28       | 30006-102070810     | BOLT M10x1.25x70                         | 1   | M10x1.25x70   |
| 29       | 30006-060016810     | BOLT M6x16                               | 4   | M6x16         |
| 30       | 30006-060012810     | BOLT M6x12                               | 2   | M6x12         |
| 31       | 9CS#-021200-6400-20 | UPPER HEAT INSULATOR                     | 1   |               |
| 32       | 9CS#-021200-6400-21 | LOWER HEAT INSULATOR                     | 1   |               |
| 33       | 9DS#-021001-6000    | SEAL GASKET, GRAPHITE                    | 1   |               |

车架/FRAME



| Item No. | Parts Number        | Parts Name(EN)                          | Qty | Specification                       |
|----------|---------------------|---|-----|-------------------------------------|
| 01       | 30006-080014810     | BOLT M8x14                              | 2   | M8x14                               |
| 02       | 9DS#-030100-6001    | BRACKET, FRONT GEAR CASE                | 1   |                                     |
| 03       | 9AWA-030002         | BUSHING, FRONT GEAR CASE                | 2   |                                     |
| 04       | 9CSV-031000-6K00-01 | FRAME ASSY                              | 1   |                                     |
| 05       | 30006-102020810     | BOLT M10x1.25x20                        | 4   | M10x1.25x20                         |
| 06       | 30204-102810        | NUT M10x1.25                            | 2   | M10x1.25                            |
| 07       | 401B-000200-10000   | DAMPER                                  | 4   |                                     |
| 08       | 30102-060016810     | SCREW                                   | 4   |                                     |
| 09       | 30204-122810        | NUT M12x1.25                            | 3   | M12x1.25                            |
| 10       | 9CR6-001100-20000   | FRONT BRACKET, ENGINE                   | 1   |                                     |
| 11       | 30006-122170810     | BOLT M12x1.25x170                       | 1   | M12x1.25x170                        |
| 12       | 30006-122180810     | BOLT M12x1.25x180                       | 2   | M12x1.25x180                        |
| 13       | 30006-103020810     | BOLT M10x20                             | 6   | M10x20                              |
| 14       | 30006-080020810     | BOLT M8x20                              | 18  | M8x20                               |
| 15       | 9CS#-030300-6401    | BRACKET, LH FOOTREST                    | 1   |                                     |
| 16       | 9CS#-030500-6400    | BRACKET, LH PEDAL                       | 1   |                                     |
| 17       | 9CS#-030400-6401    | BRACKET, RH FOOTREST                    | 1   |                                     |
| 18       | 9CS#-030600-6400    | BRACKET, RH PEDAL                       | 1   |                                     |
| 19       | 9DS#-030070-6000    | BRACKET, EPS CONTROLLER                 | 1   |                                     |
| 20       | 30006-080035810     | BOLT M8x35                              | 1   | M8x35                               |
| 21       | 7020-000160         | CONNECTING PARTS, ENGINE UPPER BRACKET  | 1   |                                     |
| 22       | 30204-080810        | NUT M8                                  | 1   | M8                                  |
| 23       | 9DS#-030040-6001    | UPPER BRACKET, ENGINE                   | 1   |                                     |
| 24       | 30006-060012810     | BOLT M6x12                              | 9   | M6x12                               |
| 25       | 9DR8-035070-20000   | CONNECTING BRACKET, AIR FILTER          | 1   | ELECTROPHORESIS BLACK               |
| 26       | 9DS#-030020-6000    | BRACKET, FRONT SEAT                     | 1   |                                     |
| 27       | 30006-080016810     | BOLT M8x16                              | 6   | M8x16                               |
| 28       | 9CS#-030100-6400    | BRACKET, REAR SEAT                      | 1   |                                     |
| 29       | 30006-060010810     | BOLT M6x10                              | 2   | GB5789 M6x10 TRIVALENT CHROMIUM 8.8 |
| 30       | 9DSV-030081-6K00    | LOCKING PLATE 4, WIRE CONNECTOR         | 1   |                                     |
| 31       | 30006-080040810     | BOLT M8x40                              | 1   | M8x40                               |
| 32       | 9DS#-030091-6000    | PRESSING PLATE III, WIRE CONNNECTOR     | 1   |                                     |
| 33       | 9CRB-030010         | SUSPENSION BRACKET ASSY, REAR GEAR CASE | 1   |                                     |
| 34       | 9DS#-030504-6000    | RH BRACKET, REAR TRUNK                  | 1   |                                     |
| 35       | 9DS#-030503-6000    | LH BRACKET, REAR TRUNK                  | 1   |                                     |
| 36       | 30305-060112        | WASHER                                  | 2   | 6                                   |

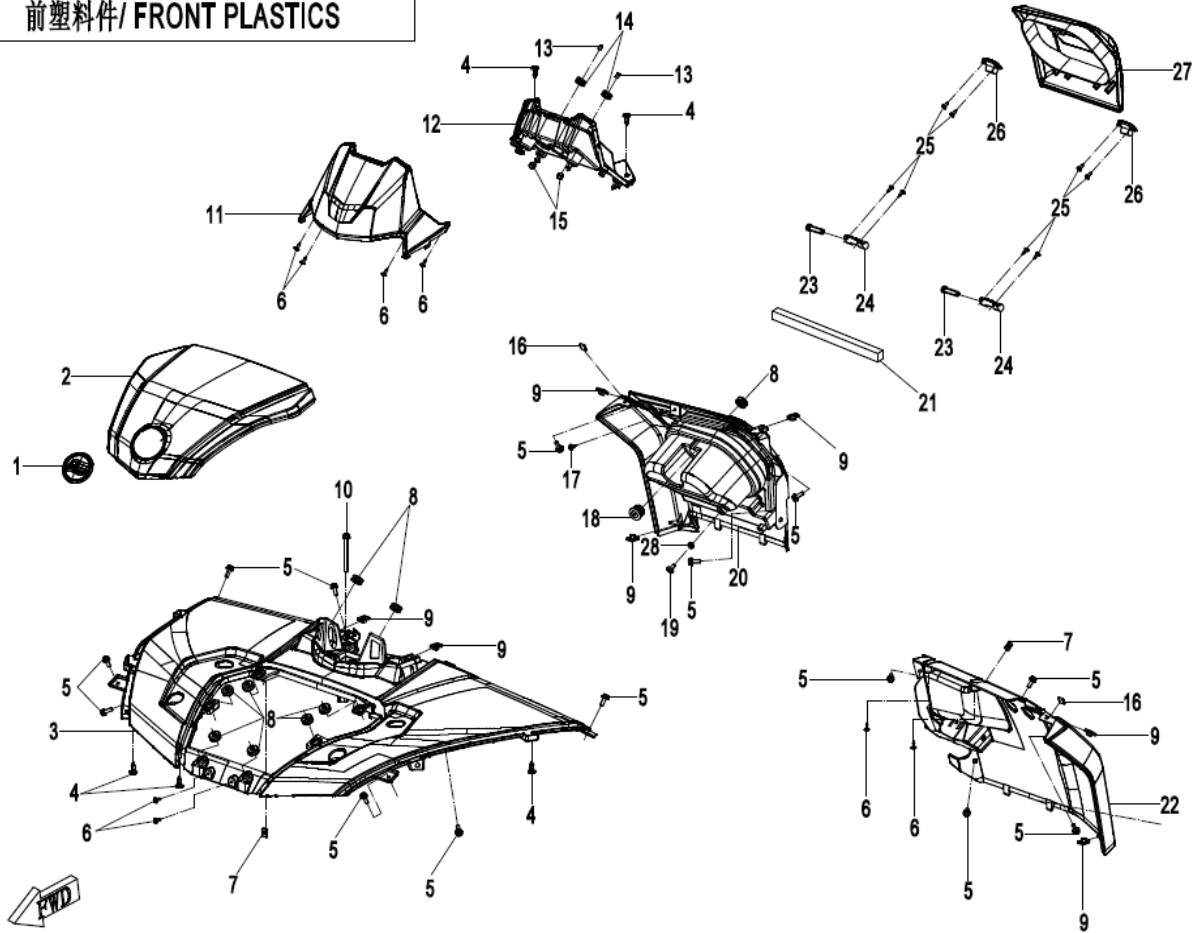
前塑料件/ FRONT PLASTICS



F04-1-V2 FRONT PLASTICS

| Item No. | Parts Number           | Parts Name(EN)              | Qty | Specification    |
|----------|------------------------|-----------------------------|-----|------------------|
| 01       | 9DS#-041019-6001       | FRONT SERVICE COVER         | 1   |                  |
| 02       | 6NQ#-000205-6001       | MOUNTING SCREW, CHAIN GUARD | 6   |                  |
| 03       | 6NTG-050002            | NYLON GASKET Dia 8          | 6   |                  |
| 04       | 9DS#-041041-6001       | FRONT LOWER FENDER          | 1   |                  |
| 05       | 9DS#-041016-6000-0BM00 | FRONT RH DECO STRIP         | 1   |                  |
| 06       | 9DS#-041015-6000-0BM00 | FRONT LH DECO STRIP         | 1   |                  |
| 07       | 9DS#-041012-6000-0VE00 | FRONT DECO PLATE            | 1   | NEBULA WHITE     |
| 07       | 9DS#-041012-6000-0RH00 | FRONT DECO PLATE            | 1   | FROCE RED        |
| 07       | 9DS#-041012-6000-0RE00 | FRONT DECO PLATE            | 1   | TRUE TIMBER CAMO |
| 07       | 9DS#-041012-6000-0HC00 | FRONT DECO PLATE            | 1   | VELOCITY GREY    |
| 08       | 9DS#-041032-6001       | FRONT RH SIDE STRIP         | 1   |                  |
| 09       | 9060-040310            | PLASTIC CLIPS               | 18  |                  |
| 10       | 9DS#-041510-6000       | CLASP ASSY                  | 4   |                  |
| 11       | 8030-040800-00001      | NUT CLIP M6                 | 4   | M6               |
| 12       | 6NT1-041510            | BUCKLE ASSY                 | 2   |                  |
| 13       | 9DSV-041014-6K00       | GUARD, RH HEADLIGHT         | 1   |                  |
| 13       | 9DSV-041014-6K01       | GUARD, RH HEADLIGHT         | 1   |                  |
| 14       | 8010-000004            | BOLT M6x14                  | 6   | M6x14            |
| 15       | 9DS#-041011-6001       | HEADLIGHT PANEL             | 1   |                  |
| 16       | 9DS#-042084-6000       | RH DECO PLUG, FRONT BUMPER  | 1   |                  |
| 17       | 9DS#-042083-6000       | LH DECO PLUG, FRONT BUMPER  | 1   |                  |
| 18       | 30110-420130010        | SELF-TAPPING SCREW ST4.2x13 | 11  | ST4.2x13         |
| 19       | 9DSV-041013-6K00       | GUARD, LH HEADLIGHT         | 1   |                  |
| 19       | 9DSV-041013-6K01       | GUARD, LH HEADLIGHT         | 1   |                  |
| 20       | 9DS#-041031-6001       | FRONT LH SIDE STRIP         | 1   |                  |

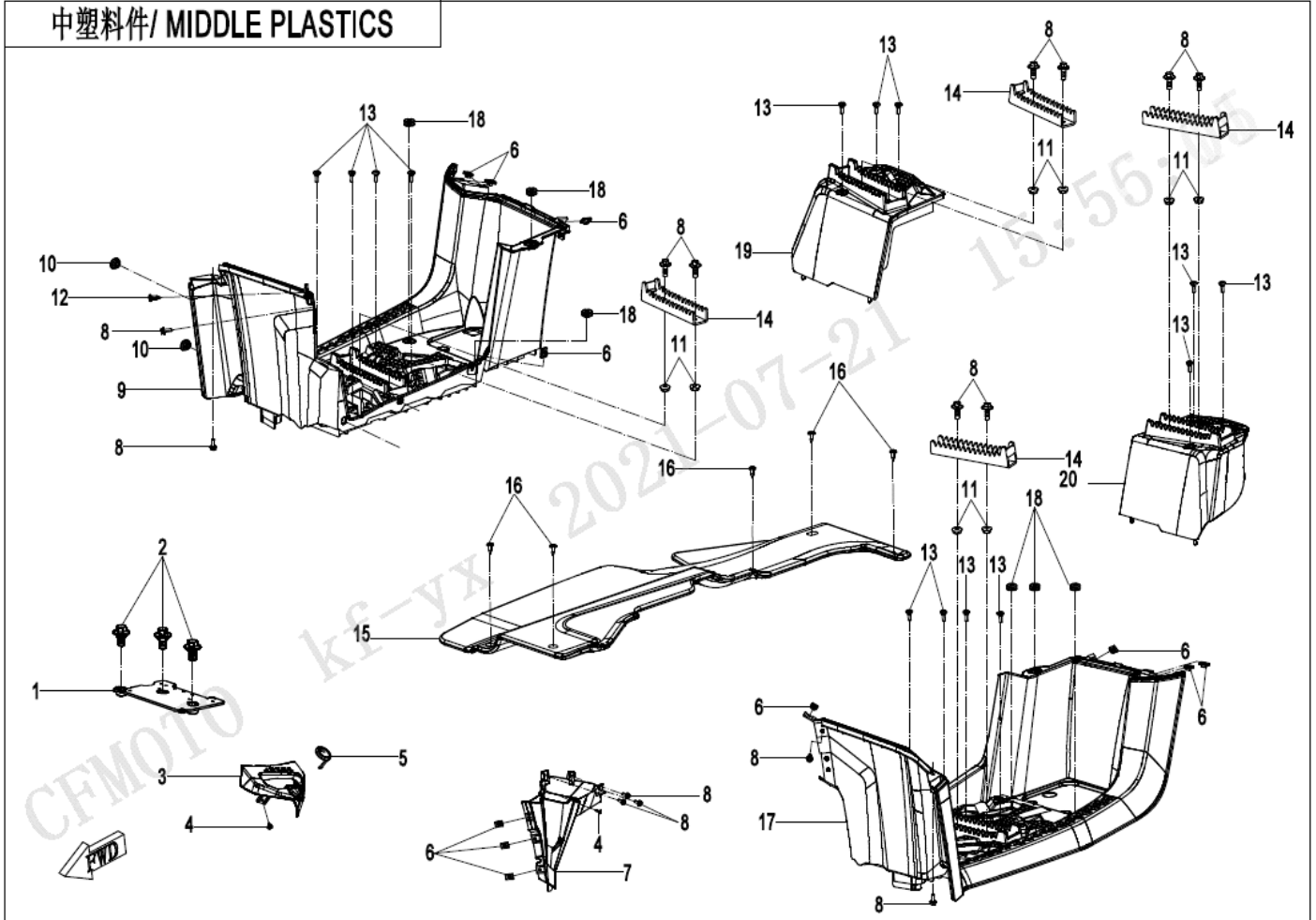
前塑料件/ FRONT PLASTICS



F04-2 FRONT PLASTICS

| Item No. | Parts Number           | Parts Name(EN)                        | Qty | Specification    |
|----------|------------------------|---------------------------------------|-----|------------------|
| 01       | 5ASV-190001-6000       | CFMOTO LOGO                           | 1   |                  |
| 02       | 9DSV-041024-6K00-0VE00 | FRONT TOP COVER                       | 1   | NEBULA WHITE     |
| 02       | 9DSV-041024-6K00-0RH00 | FRONT TOP COVER                       | 1   | FROCE RED        |
| 02       | 9DSV-041024-6K00-0RE00 | FRONT TOP COVER                       | 1   | TRUE TIMBER CAMO |
| 02       | 9DSV-041024-6K00-0HC00 | FRONT TOP COVER                       | 1   | VELOCITY GREY    |
| 03       | 9DSV-041021-6K00-0VE00 | FRONT FENDER                          | 1   | NEBULA WHITE     |
| 03       | 9DSV-041021-6K00-0RH00 | FRONT FENDER                          | 1   | FROCE RED        |
| 03       | 9DSV-041021-6K00-0RE00 | FRONT FENDER                          | 1   | TRUE TIMBER CAMO |
| 03       | 9DSV-041021-6K00-0HC00 | FRONT FENDER                          | 1   | VELOCITY GREY    |
| 04       | 9060-040310            | PLASTIC CLIPS                         | 5   |                  |
| 05       | 30006-060016810        | BOLT M6x16                            | 14  | M6x16            |
| 06       | 30110-420130010        | SELF-TAPPING SCREW ST4.2x13           | 8   | ST4.2x13         |
| 07       | 8010-000002            | CLAMP ST4.2                           | 2   | ST4.2            |
| 08       | A000-040302            | RUBBER DAMPER                         | 9   |                  |
| 09       | 8030-040800-00001      | NUT CLIP M6                           | 7   | M6               |
| 10       | 30006-060070810        | BOLT M6x70                            | 1   | M6x70            |
| 11       | 9DS#-041023-6001       | DECO PLATE, DASHBOARD COVER           | 1   |                  |
| 12       | 9DS#-041022-6001       | DASHBOARD COVER                       | 1   |                  |
| 13       | 6090-040303            | BUSHING                               | 2   |                  |
| 14       | 6090-040302            | RUBBER DAMPER                         | 2   |                  |
| 15       | 30202-060110           | NUT M6                                | 2   | M6               |
| 16       | 6NT1-041510            | BUCKLE ASSY                           | 2   |                  |
| 17       | 30110-480130010        | SELF-TAPPING SCREW ST4.8x13           | 1   | ST4.8x13         |
| 18       | 6KJ0-030503            | RUBBER PLUG                           | 1   |                  |
| 19       | 6KM#-040702-8000       | INNER HEX SCREW M6x12                 | 1   |                  |
| 20       | 9DS#-041035-6001       | TRUNK                                 | 1   |                  |
| 21       | 9DS#-043065-6001       | WATER-PROOF STRAP, FRONT STORAGE CASE | 1   |                  |
| 22       | 9DS#-041033-6002       | FRONT LH GUARD                        | 1   |                  |
| 23       | 9030-040013            | HINGE SHAFT, TRUNK                    | 2   |                  |
| 24       | 9030-040014            | COVER, HINGE SHAFT                    | 2   |                  |
| 25       | 30110-420160010        | SELF-TAPPING SCREW ST4.2x16           | 8   | ST4.2x16         |
| 26       | 9030-040012            | HINGE SEAT, TRUNK                     | 2   |                  |
| 27       | 9DS#-041036-6000       | COVER, FRONT TRUNK                    | 1   |                  |
| 28       | 30303-080112           | WASHER                                | 1   | 8                |

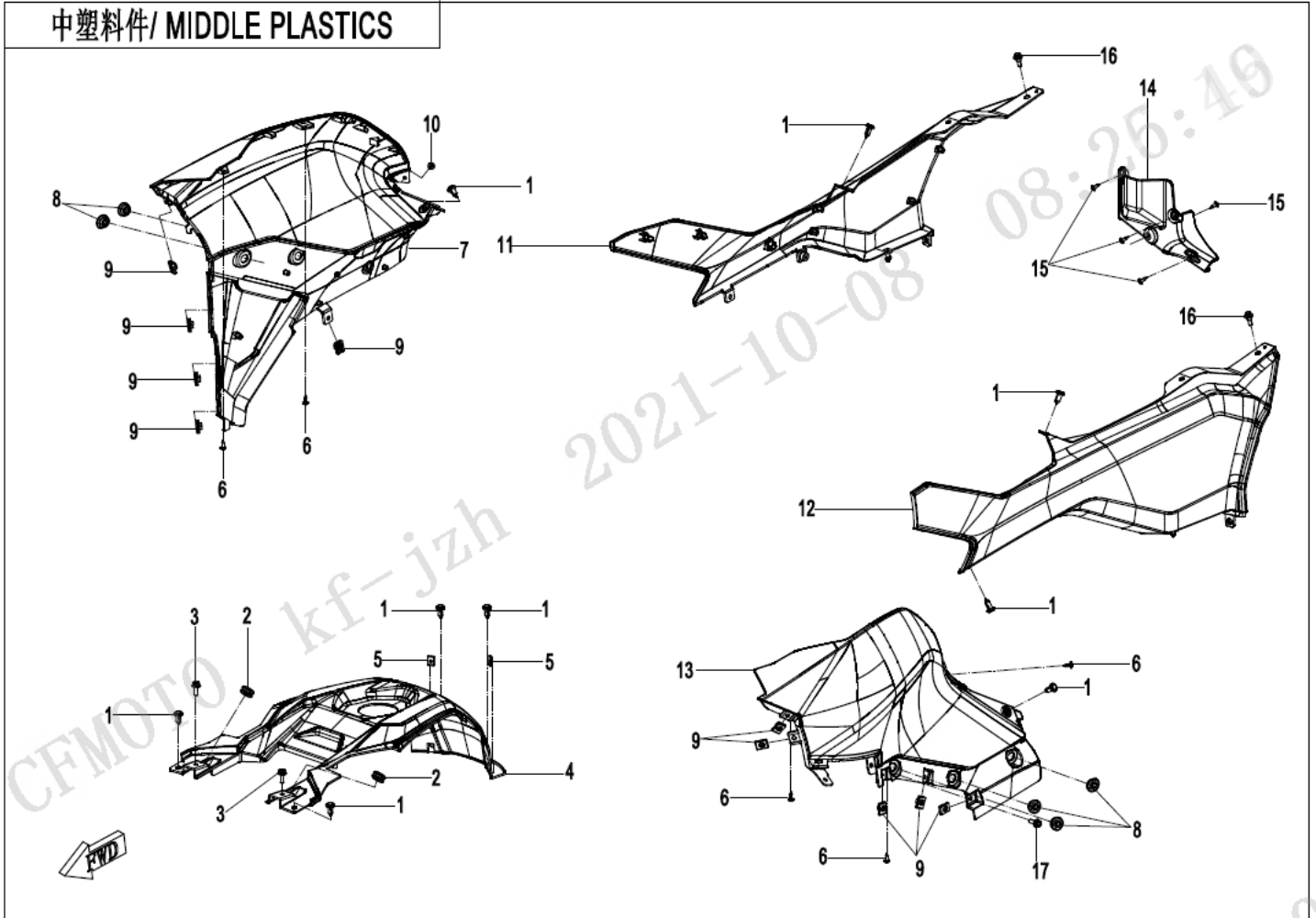
中塑料件/ MIDDLE PLASTICS



F04-3-A-V3 MIDDLE PLASTICS(WITH GEARSHIFT LOCK)

| Item No. | Parts Number      | Parts Name(EN)                        | Qty | Specification |
|----------|-------------------|---------------------------------------|-----|---------------|
| 01       | 9DSV-042078-6K00  | ECU BRACKET                           | 1   |               |
| 02       | 8010-000004       | BOLT M6x14                            | 3   | M6x14         |
| 03       | 9DSV-042023-6001  | GEARSHIFT COVER                       | 1   |               |
| 04       | 30110-420130010   | SELF-TAPPING SCREW ST4.2x13           | 2   | ST4.2x13      |
| 05       | 9DSV-042027-6000  | LOCK COVER                            | 1   |               |
| 06       | 8030-040800-00001 | NUT CLIP M6                           | 11  | M6            |
| 07       | 9DSV-042061-6002  | LH LOWER SIDE COVER                   | 1   |               |
| 08       | 30006-060016870   | BOLT M6x16                            | 13  | M6x16         |
| 09       | 9CSV-042071-6403  | RH FOOT PEDAL                         | 1   |               |
| 10       | 8080-040064       | DAMPER, FRONT FENDER                  | 2   |               |
| 11       | 30204-060810      | NUT M6                                | 8   | M6            |
| 12       | 9060-040310       | PLASTIC CLIPS                         | 1   |               |
| 13       | 5HY#-040001-1000  | BOLT M6x14                            | 14  |               |
| 14       | 9CR6-042040-20000 | ANTISKID TEETH ASSY.                  | 4   |               |
| 15       | 9DS#-042079-6001  | HEAT INSULATOR, FUEL TANK LOWER PANEL | 1   |               |
| 16       | 30110-420095010   | SELF-TAPPING SCREW ST4.2x9.5          | 5   | ST4.2x9.5     |
| 17       | 9CS#-042069-6402  | LH PEDAL, LONG MODEL                  | 1   |               |
| 18       | A000-040302       | RUBBER DAMPER                         | 6   |               |
| 19       | 9CS#-042074-6401  | BLOCK, RH FOOTREST                    | 1   |               |
| 20       | 9CS#-042073-6401  | BLOCK, LH FOOTREST                    | 1   |               |

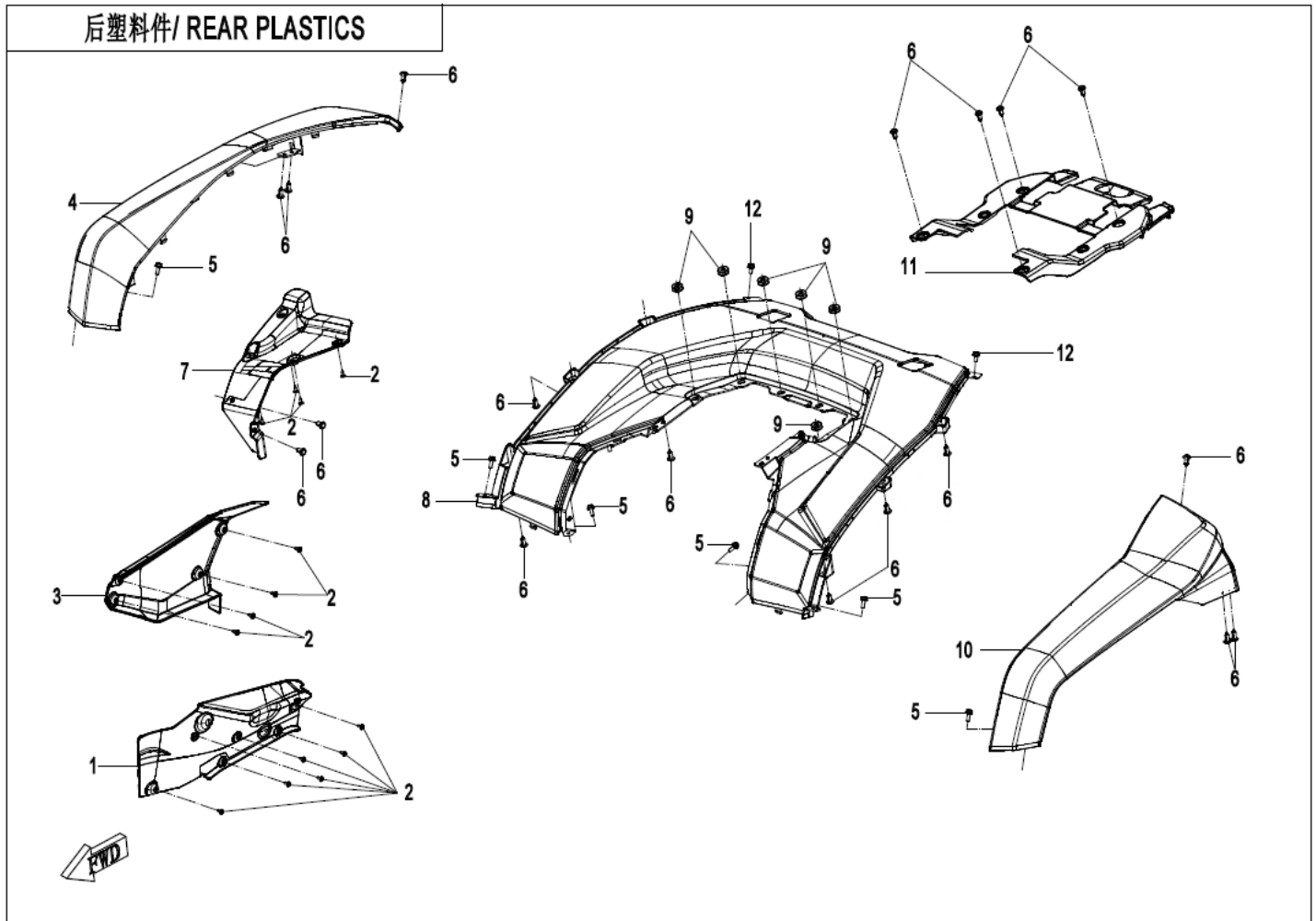
中塑料件/ MIDDLE PLASTICS



F04-4-V2 MIDDLE PLASTICS

| Item No. | Parts Number           | Parts Name(EN)                       | Qty | Specification     |
|----------|------------------------|--------------------------------------|-----|-------------------|
| 01       | 9060-040310            | PLASTIC CLIPS                        | 9   |                   |
| 02       | A000-040302            | RUBBER DAMPER                        | 2   |                   |
| 03       | 30006-060016810        | BOLT M6x16                           | 2   | M6x16             |
| 04       | 9DS#-042011-6002       | UPPER COVER, FUEL TANK               | 1   |                   |
| 05       | 8010-000002            | CLAMP ST4.2                          | 2   | ST4.2             |
| 06       | 30110-420130010        | SELF-TAPPING SCREW ST4.2x13          | 5   | ST4.2x13          |
| 07       | 9DS#-042022-6001-0VE00 | RH SIDE COVER                        | 1   | NEBULA WHITE      |
| 07       | 9DS#-042022-6001-0RH00 | RH SIDE COVER                        | 1   | FROCE RED         |
| 07       | 9DS#-042022-6001-0RE00 | RH SIDE COVER                        | 1   | TRUE TIMBER CAMO  |
| 07       | 9DS#-042022-6001-0HC00 | RH SIDE COVER                        | 1   | VELOCITY GREY     |
| 08       | 8080-040064            | DAMPER, FRONT FENDER                 | 5   |                   |
| 09       | 8030-040800-00001      | NUT CLIP M6                          | 10  | M6                |
| 10       | 30110-420130010        | SELF-TAPPING SCREW ST4.2x13          | 1   | ST4.2x13          |
| 11       | 9CS#-042068-6401-0BU00 | DECO PLATE, RH SIDE COVER            | 1   | MIST SILVER BLACK |
| 11       | 9CS#-042068-6401-0RE00 | RH SIDE COVER DECO PLATE, LONG MODEL | 1   | TRUE TIMBER CAMO  |
| 12       | 9CS#-042067-6400-0BU00 | DECO PLATE, LH SIDE COVER            | 1   | MIST SILVER BLACK |
| 12       | 9CS#-042067-6400-0RE00 | DECO PLATE, LH SIDE COVER            | 1   | TRUE TIMBER CAMO  |
| 13       | 9DS#-042021-6000-0VE00 | LH SIDE COVER                        | 1   | NEBULA WHITE      |
| 13       | 9DS#-042021-6000-0RH00 | LH SIDE COVER                        | 1   | FROCE RED         |
| 13       | 9DS#-042021-6000-0RE00 | LH SIDE COVER                        | 1   | TRUE TIMBER CAMO  |
| 13       | 9DS#-042021-6000-0HC00 | LH SIDE COVER                        | 1   | VELOCITY GREY     |
| 14       | 9DS#-042077-6001       | HEAT INSULATOR, TAIL LIGHT           | 1   |                   |
| 15       | 30110-421130010        | SELF-TAPPING SCREW ST4.2x13          | 4   | ST4.2x13          |
| 16       | 8010-000005            | BOLT M6x17                           | 2   | M6x17             |
| 17       | 30006-060012810        | BOLT M6x12                           | 1   | M6x12             |

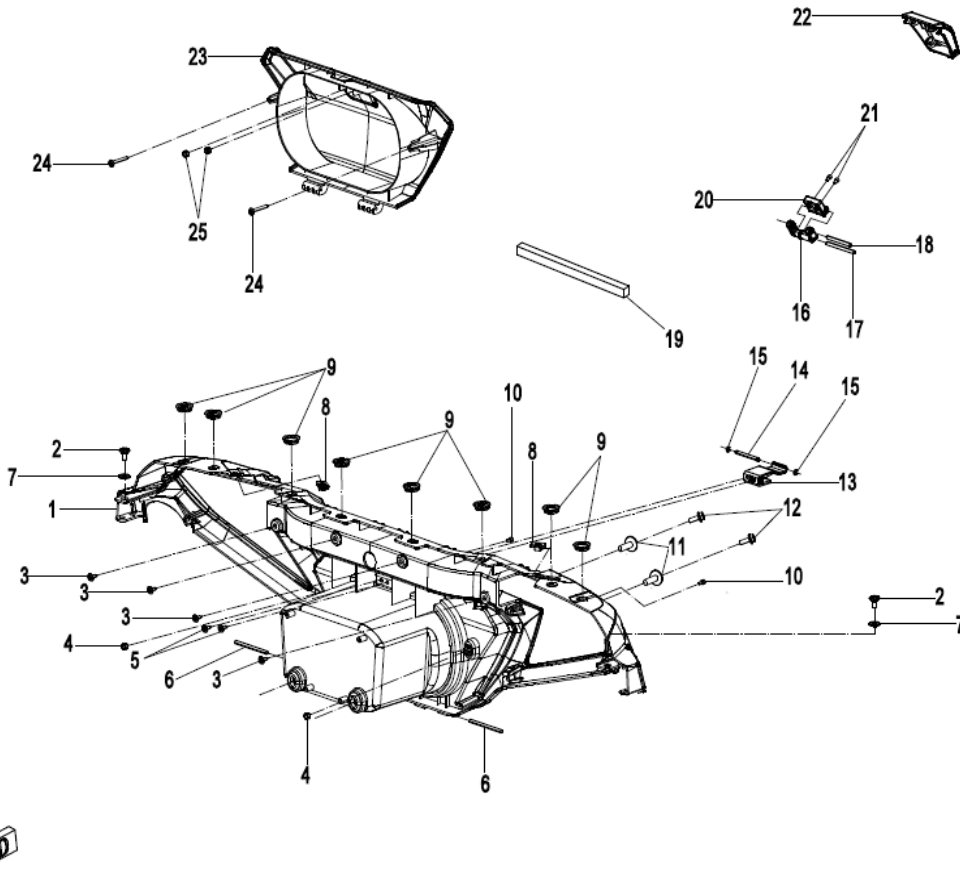
后塑料件/ REAR PLASTICS



F04-5 REAR PLASTICS

| Item No. | Parts Number           | Parts Name(EN)                           | Qty | Specification    |
|----------|------------------------|--|-----|------------------|
| 01       | 9DS#-043066-6001       | HEAT INSULATOR, RH SIDE COVER            | 1   |                  |
| 02       | 30110-421130010        | SELF-TAPPING SCREW ST4.2x13              | 14  | ST4.2x13         |
| 03       | 9CS#-042076-6401       | HEAT INSULATOR, RH SIDE COVER DECO PLATE | 1   |                  |
| 04       | 9DS#-043032-6001       | REAR RH FENDER                           | 1   |                  |
| 05       | 6NQ#-000204-6001       | BOLT, M6X16                              | 6   | M6x16            |
| 06       | 9060-040310            | PLASTIC CLIPS                            | 18  |                  |
| 07       | 9DS#-043068-6001       | HEAT INSULATOR, REAR FENDER              | 1   |                  |
| 08       | 9DS#-043021-6001-0VE00 | REAR FENDER                              | 1   | NEBULA WHITE     |
| 08       | 9DS#-043021-6001-0RH00 | REAR FENDER                              | 1   | FROCE RED        |
| 08       | 9DS#-043021-6001-0RE00 | REAR FENDER                              | 1   | TRUE TIMBER CAMO |
| 08       | 9DS#-043021-6001-0HC00 | REAR FENDER                              | 1   | VELOCITY GREY    |
| 09       | A000-040302            | RUBBER DAMPER                            | 6   |                  |
| 10       | 9DS#-043031-6001       | REAR LH FENDER                           | 1   |                  |
| 11       | 9CS#-042072-6401       | UPPER COVER, REAR FENDER                 | 1   |                  |
| 12       | 30006-060012810        | BOLT M6x12                               | 2   | M6x12            |

后塑料件/ REAR PLASTICS

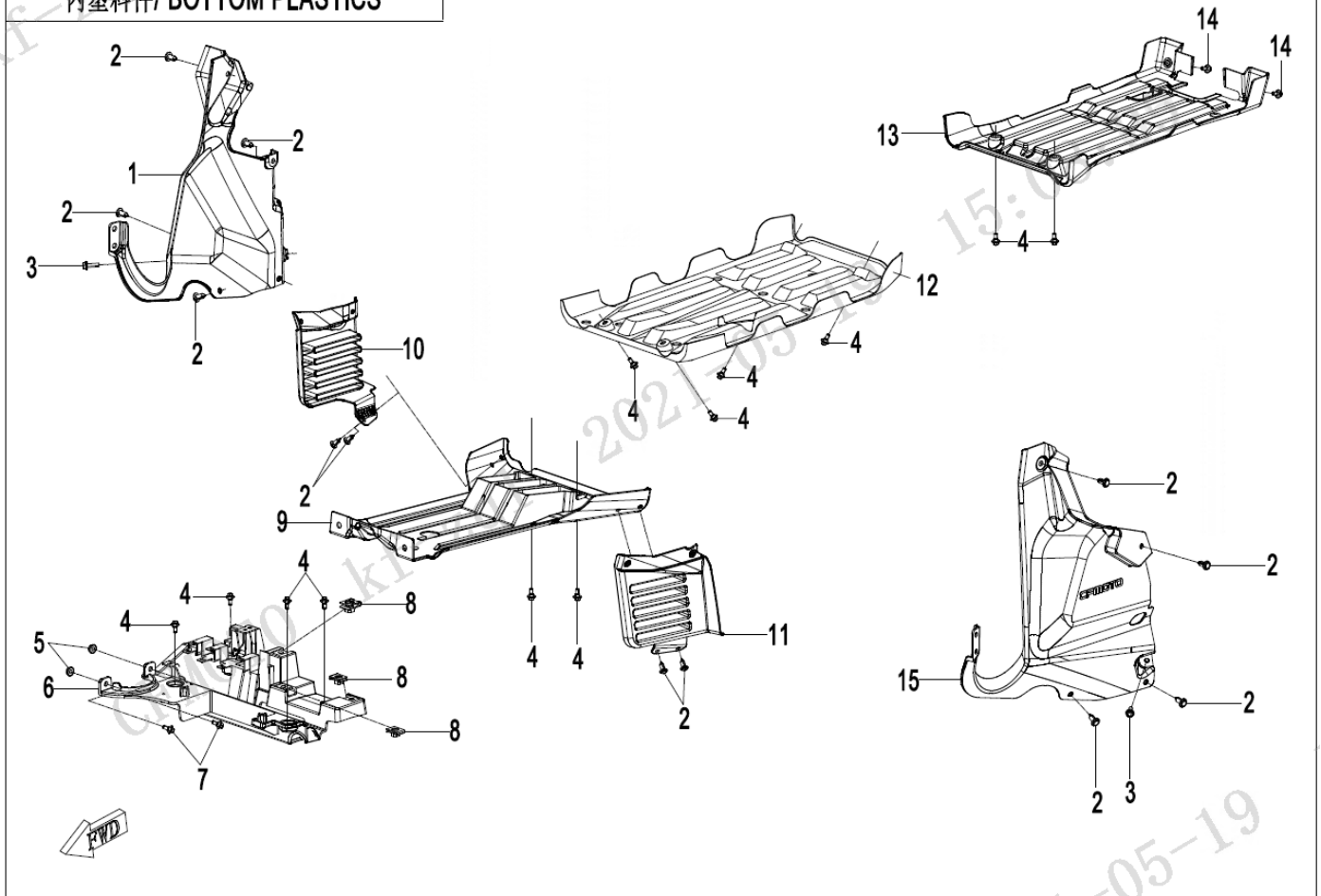


F04-6 REAR PLASTICS

| Item No. | Parts Number      | Parts Name(EN)                       | Qty | Specification      |
|----------|-------------------|--------------------------------------|-----|--------------------|
| 01       | 9DS#-043011-6001  | TAIL LIGHT PANEL                     | 1   |                    |
| 02       | 8030-040020-1000  | SCREW M6x17.5                        | 2   | M6x17.5 ARMY GREEN |
| 03       | 30110-420130010   | SELF-TAPPING SCREW ST4.2x13          | 4   | ST4.2x13           |
| 04       | 30204-050810      | NUT M5                               | 2   | M5                 |
| 05       | 30110-480130010   | SELF-TAPPING SCREW ST4.8x13          | 2   | ST4.8x13           |
| 06       | 6L30-220023       | MAIN SHAFT, SIDE BOX                 | 2   |                    |
| 07       | 6NTG-050002       | NYLON GASKET Dia 8                   | 2   |                    |
| 08       | 8030-040800-00001 | NUT CLIP M6                          | 2   | M6                 |
| 09       | 8080-040064       | DAMPER, FRONT FENDER                 | 8   |                    |
| 10       | 6NTG-049060       | MAGNETIC BOLT ASSY I                 | 2   |                    |
| 11       | 9010-160102       | WASHER, HEADLIGHT                    | 2   |                    |
| 12       | 6NQ#-000204-6001  | BOLT, M6X16                          | 2   | M6x16              |
| 13       | 9DS#-044061-6001  | HOOK LOCK, TAIL BOX                  | 1   |                    |
| 14       | 9DS#-044062-6000  | LOCK PIN, TAIL BOX                   | 1   |                    |
| 15       | 30802-00303       | COTTER CIRCLIP 3                     | 2   |                    |
| 16       | A010-220032       | ROD SEAT                             | 1   |                    |
| 17       | A010-220037       | LONG SHAFT ROD                       | 1   |                    |
| 18       | A010-220036       | SHORT SHAFT ROD                      | 1   |                    |
| 19       | 9DS#-044063-6001  | WATER-PROOF STRAP, REAR STORAGE CASE | 1   |                    |
| 20       | A010-220033       | LOCK SEAT                            | 1   |                    |
| 21       | 30105-040016410   | SCREW M4x16                          | 2   | M4x16              |
| 22       | 9DSV-044059-6K00  | LOCK CATCH, TAIL BOX                 | 1   |                    |
| 23       | 9DSV-043012-6K00  | REAR TRUNK COVER                     | 1   |                    |
| 24       | 30110-420160010   | SELF-TAPPING SCREW ST4.2x16          | 2   | ST4.2x16           |
| 25       | 30200-040810      | NUT M4                               | 2   | M4                 |



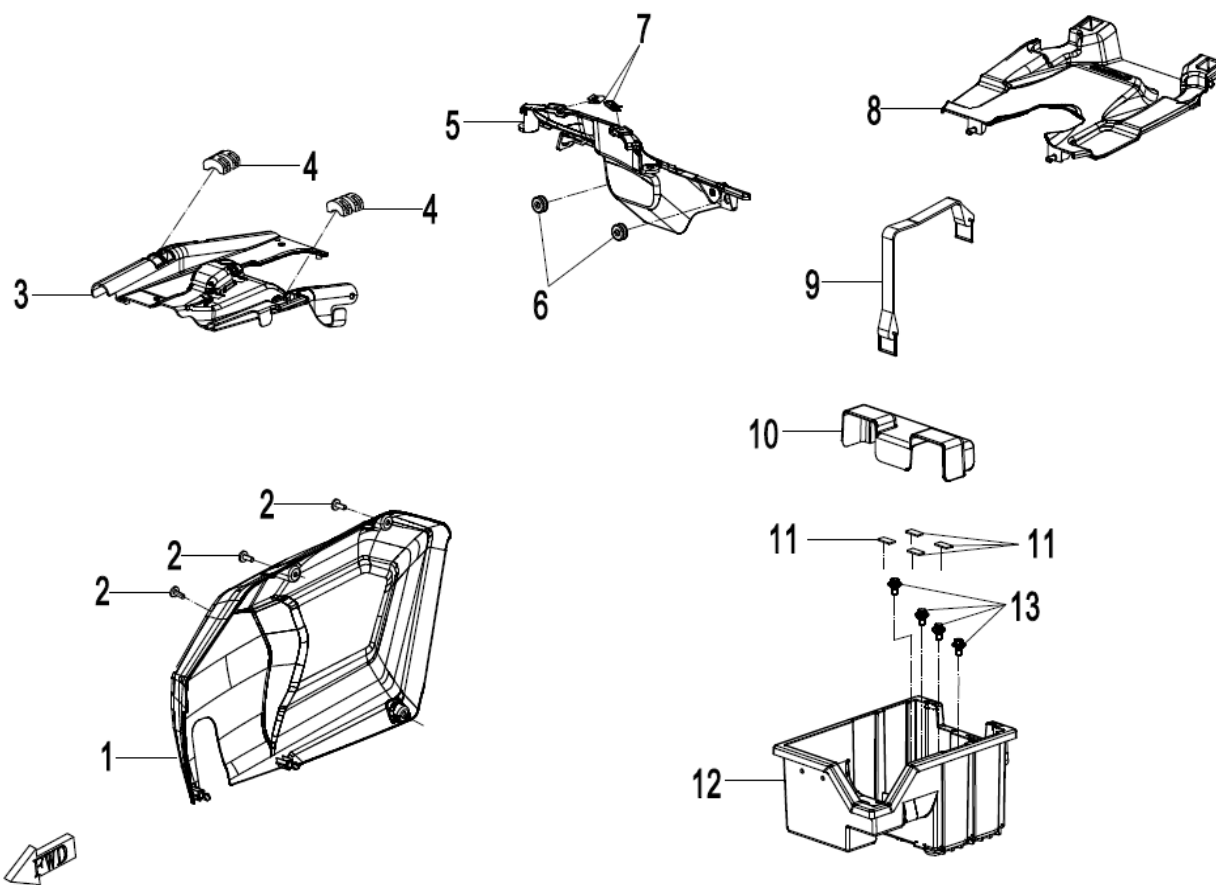
内塑料件/ BOTTOM PLASTICS



F04-7-V2 BOTTOM PLASTICS

| Item No. | Parts Number      | Parts Name(EN)                   | Qty | Specification |
|----------|-------------------|----------------------------------|-----|---------------|
| 01       | 9DSV-044012-6K00  | FRONT RH INNER FEDNER            | 1   |               |
| 02       | 9060-040310       | PLASTIC CLIPS                    | 12  |               |
| 03       | 30006-060020870   | BOLT M6x20                       | 2   | M6x20         |
| 04       | 8010-000004       | BOLT M6x14                       | 12  | M6x14         |
| 05       | 30202-060110      | NUT M6                           | 2   | M6            |
| 06       | 9DSV-044054-6K00  | MOUNTING PLATE, ELECTRICAL PARTS | 1   |               |
| 07       | 30006-060016810   | BOLT M6x16                       | 2   | M6x16         |
| 08       | 8030-040800-00001 | NUT CLIP M6                      | 3   | M6            |
| 09       | 9DS#-044021-6001  | FRONT PANEL, ENGINE              | 1   |               |
| 10       | 9DS#-042087-6000  | FRONT RH INNER LOWER FENDER      | 1   |               |
| 11       | 9DS#-042086-6000  | FRONT LH INNER LOWER FENDER      | 1   |               |
| 12       | 9CR6-044022-10000 | MIDDLE PANEL, ENGINE             | 1   |               |
| 13       | 9DS#-044023-6001  | REAR PANEL, ENGINE               | 1   |               |
| 14       | 30006-060012810   | BOLT M6x12                       | 2   | M6x12         |
| 15       | 9DSV-044011-6K00  | FRONT LH INNER FEDNER            | 1   |               |

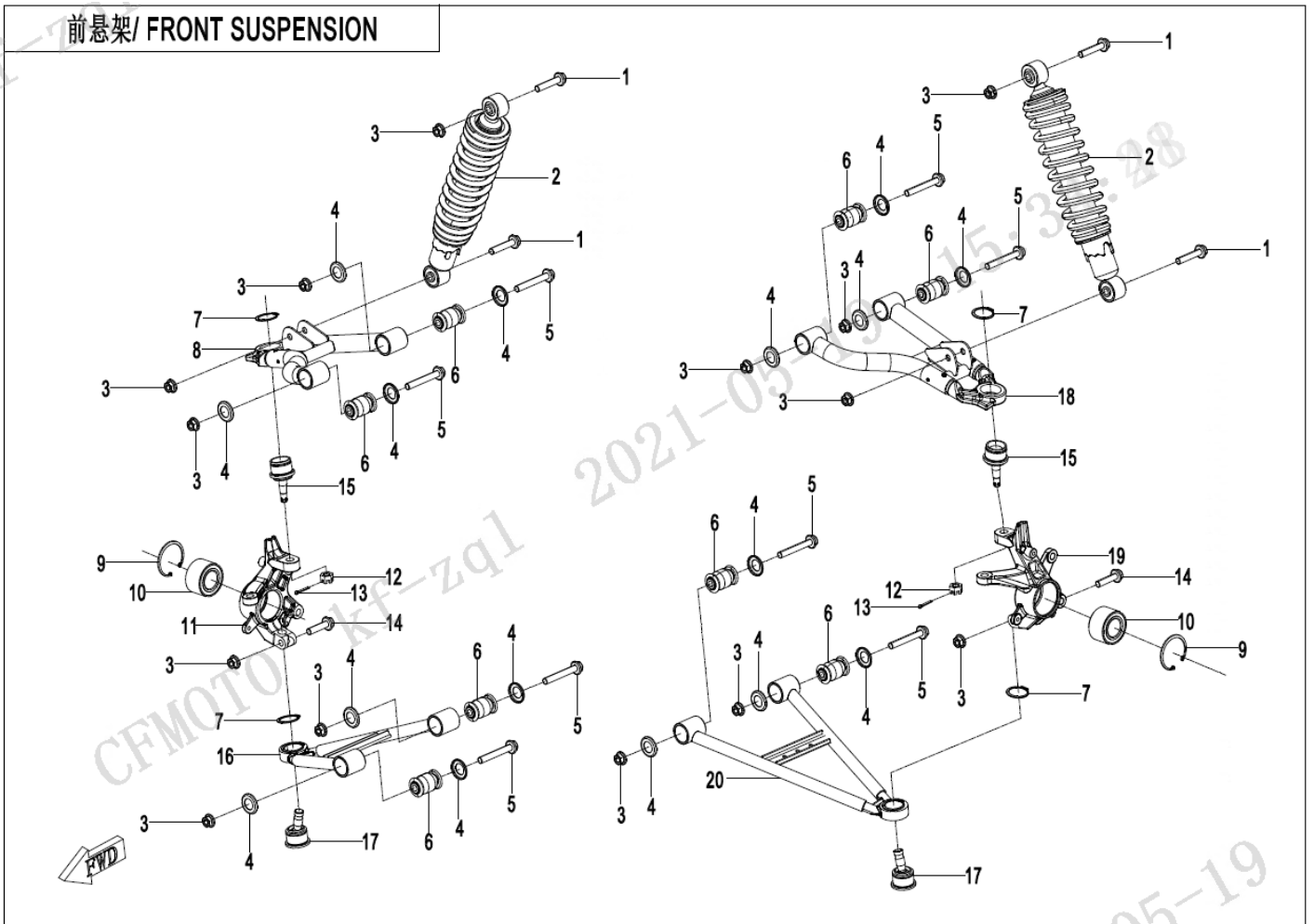
内塑料件/ BOTTOM PLASTICS



### F04-8 BOTTOM PLASTICS

| Item No. | Parts Number     | Parts Name(EN)          | Qty | Specification |
|----------|------------------|-------------------------|-----|---------------|
| 01       | 9DSV-044057-6K00 | CVT SIDE COVER          | 1   |               |
| 02       | 30006-060016870  | BOLT M6x16              | 3   | M6x16         |
| 03       | 9DSV-044049-6002 | LOWER PANLE, FUEL TANK  | 1   |               |
| 04       | 9010-120005      | CUSHION MAT, FUEL TANK  | 2   |               |
| 05       | 9DS#-044058-6002 | VISOR, AIR FILTER       | 1   |               |
| 06       | A000-040302      | RUBBER DAMPER           | 2   |               |
| 07       | 8010-000002      | CLAMP ST4.2             | 2   | ST4.2         |
| 08       | 9DSV-044053-6K00 | UPPER PANEL, AIR FILTER | 1   |               |
| 09       | 9CR6-044030      | BRACKET, TIE BAND       | 1   |               |
| 10       | 9CR6-043027      | BATTERY COVER           | 1   |               |
| 11       | 9010-120008      | SPONGE PAD, FUEL TANK   | 4   |               |
| 12       | 9DS#-044055-6001 | BATTERY BOX             | 1   |               |
| 13       | 8010-000004      | BOLT M6x14              | 4   | M6x14         |

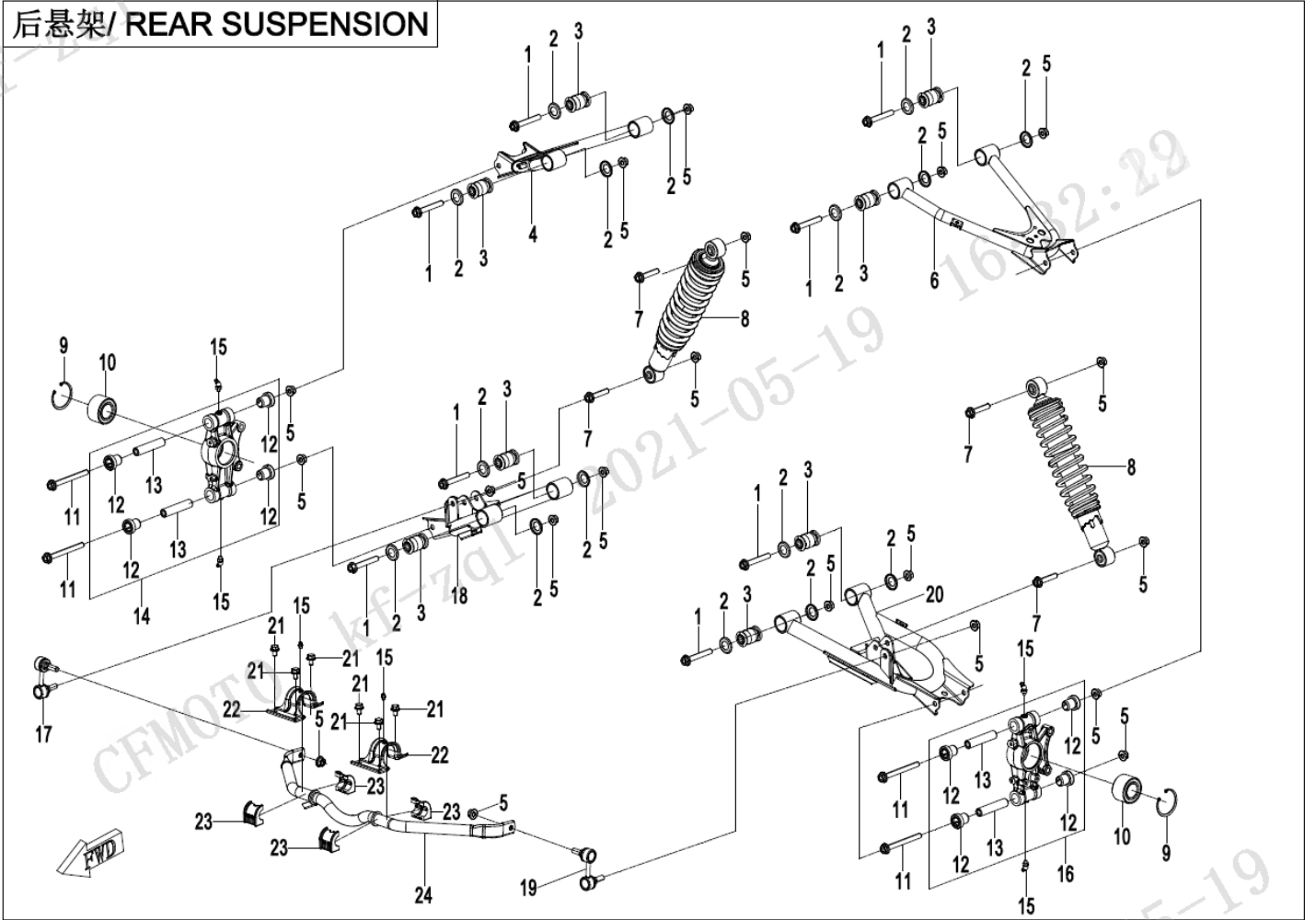
前悬架/ FRONT SUSPENSION



F05 FRONT SUSPENSION

| Item No. | Parts Number      | Parts Name(EN)             | Qty | Specification |
|----------|-------------------|----------------------------|-----|---------------|
| 01       | 30006-102055810   | BOLT M10x1.25x55           | 4   | M10x1.25x55   |
| 02       | 9DS#-050600-6000  | FRONT SHOCK ABSORBER ASSY. | 2   |               |
| 03       | 30204-102810      | NUT M10x1.25               | 14  | M10x1.25      |
| 04       | 9DSV-050900-6K00  | CAP, CUSHION SLEEVE        | 16  |               |
| 05       | 30006-102070810   | BOLT M10x1.25x70           | 8   | M10x1.25x70   |
| 06       | 9010-050500       | CUSHION SLEEVE             | 8   |               |
| 07       | 30801-03405       | CIRCLIPS FOR SHAFT 34      | 4   | 34            |
| 08       | 9DSV-050310-6K00  | FRONT RH UPPER SWING ARM   | 1   |               |
| 09       | 30800-05505       | CIRCLIP FOR HOLE 55        | 2   | 55            |
| 10       | 9GQ0-050710       | BEARING, HUB               | 2   |               |
| 11       | 9DSV-050801-6K00  | RH STEERING KNUCKLE        | 1   |               |
| 12       | 9010-100002       | 1-TYPE NUT                 | 2   | M10x1.25      |
| 13       | 30903-0201610     | COTTER PIN                 | 2   | 2.0x16        |
| 14       | 30006-102045810   | BOLT M10x1.25x45           | 2   | M10x1.25x45   |
| 15       | 9010-050700-1000  | TOP BALL PIN               | 2   | CCVI          |
| 16       | 9DSV-050410-6K00  | FRONT RH LOWER SWING ARM   | 1   |               |
| 17       | 9010-050800-20000 | LOWER BALL PIN ASSY.       | 2   |               |
| 18       | 9DSV-050110-6K00  | FRONT LH UPPER SWING ARM   | 1   |               |
| 19       | 9DSV-050701-6K00  | LH STEERING KNUCKLE        | 1   |               |
| 20       | 9DSV-050210-6K00  | FRONT LH LOWER SWING ARM   | 1   |               |

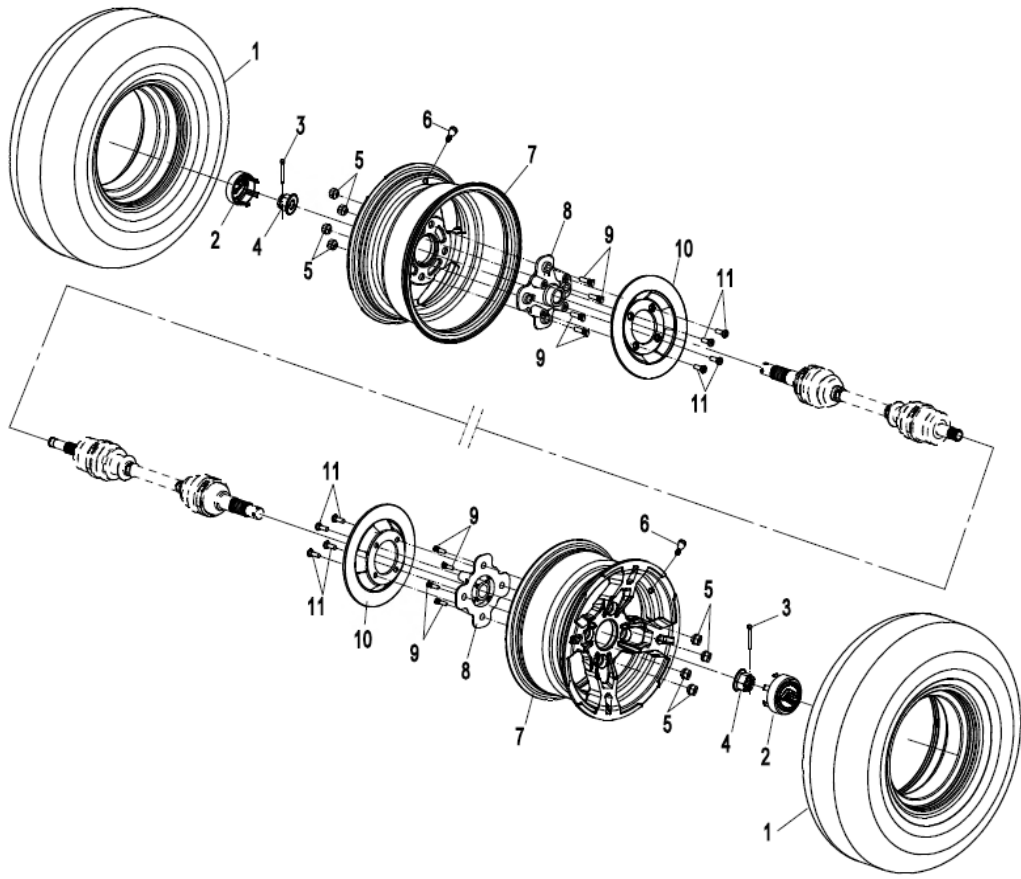
# 后悬架/ REAR SUSPENSION



## F06 REAR SUSPENSION

| Item No. | Parts Number      | Parts Name(EN)                      | Qty | Specification |
|----------|-------------------|-------------------------------------|-----|---------------|
| 01       | 30006-102070810   | BOLT M10x1.25x70                    | 8   | M10x1.25x70   |
| 02       | 9DSV-050900-6K00  | CAP, CUSHION SLEEVE                 | 16  |               |
| 03       | 9010-050500       | CUSHION SLEEVE                      | 8   |               |
| 04       | 9DSV-060310-6K00  | REAR RH UPPER SWING ARM             | 1   |               |
| 05       | 30204-102810      | NUT M10x1.25                        | 20  | M10x1.25      |
| 06       | 9DSV-060110-6K00  | REAR LH UPPER SWING ARM             | 1   |               |
| 07       | 30006-102055810   | BOLT M10x1.25x55                    | 4   | M10x1.25x55   |
| 08       | 9DS#-060600-6000  | REAR SHOCK ABSORBER ASSY.           | 2   |               |
| 09       | 30800-05505       | CIRCLIP FOR HOLE 55                 | 2   | 55            |
| 10       | 9GQ0-050710       | BEARING, HUB                        | 2   |               |
| 11       | 30006-102100810   | BOLT M10x1.25x100                   | 4   | M10x1.25x100  |
| 12       | 9060-050003       | SHORT BUSHING, SWING ARM            | 8   |               |
| 13       | 7020-060702-00001 | MIDDLE SPACER, REAR BEARING CARRIER | 4   |               |
| 14       | 7020-0608A0       | RH REAR BEARING CARRIER ASSY        | 1   |               |
| 15       | 3120100           | GREASE ZERK                         | 6   |               |
| 16       | 7020-0607A0       | LH REAR BEARING CARRIER ASSY,       | 1   |               |
| 17       | 9010-060800-20000 | BALL PIN, RH                        | 1   | CCVI          |
| 18       | 9DSV-060410-6K00  | REAR RH LOWER SWING ARM             | 1   |               |
| 19       | 9010-060700-20000 | BALL PIN, LH                        | 1   | CCVI          |
| 20       | 9DSV-060210-6K00  | REAR LH LOWER SWING ARM             | 1   |               |
| 21       | 30006-080012810   | BOLT M8x12                          | 6   | M8x12         |
| 22       | 9DS#-060601-6001  | PRESS COVER, SWAY BAR               | 2   |               |
| 23       | 9GQ0-060003       | SUPPORTER, SWAY BAR                 | 4   |               |
| 24       | 9010-060500       | SWAY BAR                            | 1   |               |

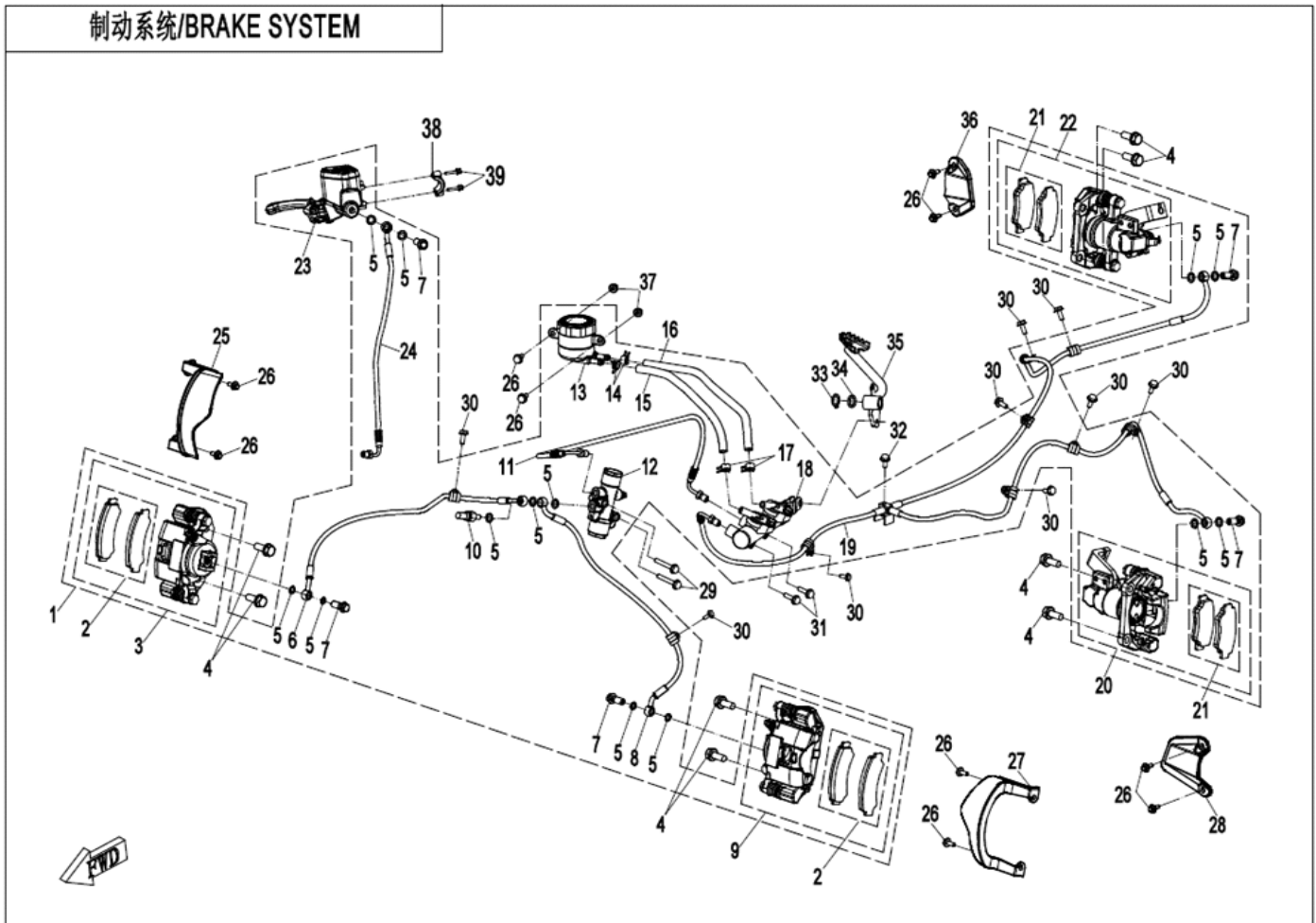
前轮/ FRONT WHEEL



F07 FRONT WHEEL

| Item No. | Parts Number        | Parts Name(EN)            | Qty | Specification                              |
|----------|---------------------|---------------------------|-----|--|
| 01       | 30703-1204          | FRONT TIRE, ATV           | 2   | 25x8.0-12, INNOVA TIRE, OFF-ROAD, USA(DOT) |
| 02       | 5ASV-070101-6001    | DECO COVER, RIM           | 2   |  |
| 03       | 30903-0403610       | COTTER PIN                | 2   | 40x36                                      |
| 04       | 5HY0-110001         | HEX FLANGE NUT            | 2   |  |
| 05       | 9010-070002-A000    | MOUNTING NUT, RIM         | 8   | CHROME PLATED                              |
| 06       | 5190-070030-1000    | VALVE, INFLATION          | 2   |  |
| 07       | 5AS0-070100-6000-11 | FRONT RIM                 | 2   | MATTE BLACK                                |
| 07       | 5AS0-070100-6002    | FRONT RIM                 | 2   | MATTE BLACK@REFLECTIVE                     |
| 08       | 9GQV-070001-1400    | FRONT WHEEL BRACKET       | 2   |  |
| 09       | 9010-070201         | BOLT, FRONT WHEEL BRACKET | 8   |  |
| 10       | 7020-080003-00001   | FRONT BRAKE DISC          | 2   |  |
| 11       | A000-080001         | SCREW                     | 8   |  |

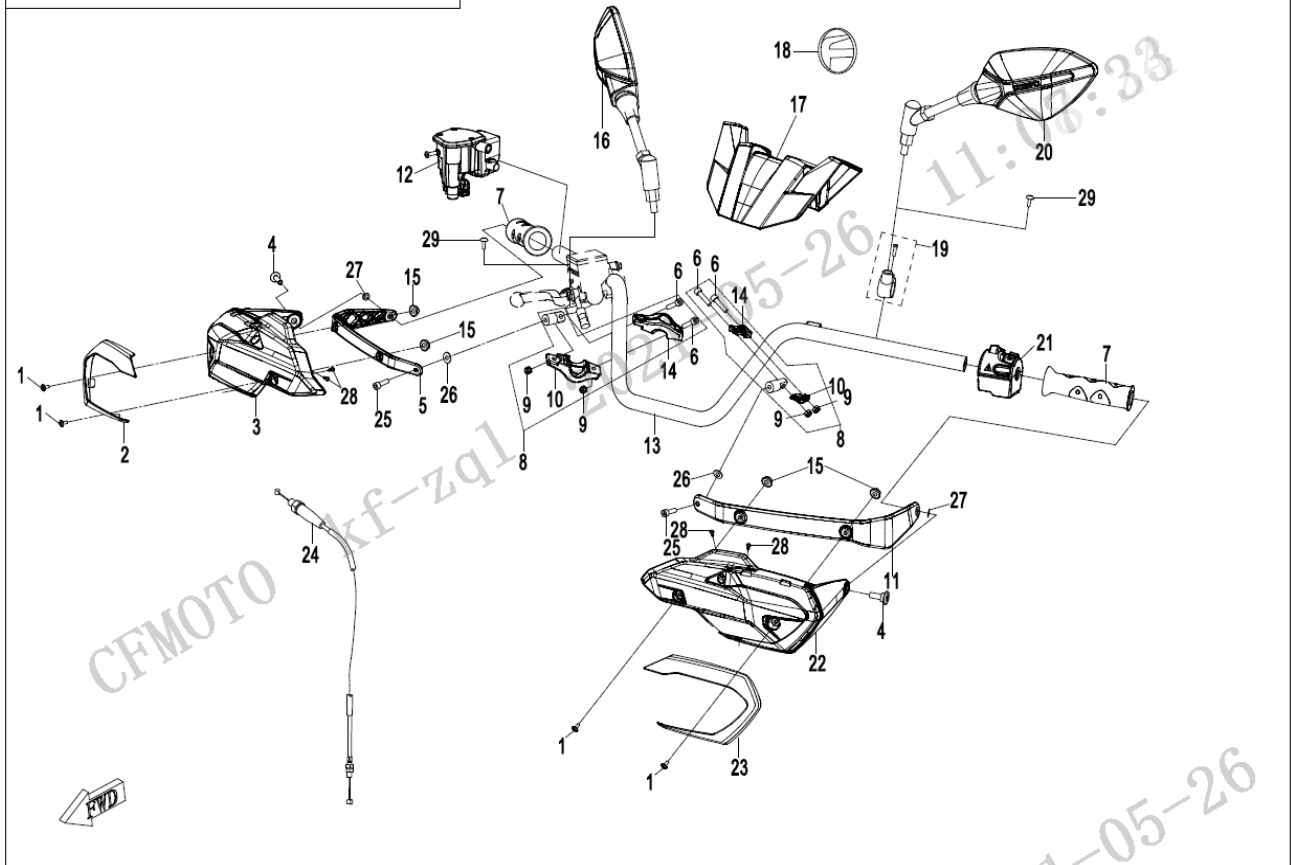
制动系统/BRAKE SYSTEM



F08-C BRAKE SYSTEM

| Item No. | Parts Number      | Parts Name(EN)                        | Qty | Specification |
|----------|-------------------|---------------------------------------|-----|---------------|
| 01       | 9CSV-081000-6K00  | HYDRAULIC BRAKE ASSY                  | 1   |               |
| 02       | 7020-0810B0       | FRONT BRAKE PAD ASSY                  | 2   |               |
| 03       | 9CR3-081200-10000 | FRONT BRAKE CALIPER ASSY, RH          | 1   |               |
| 04       | 30006-102030810   | BOLT M10x1.25x30                      | 8   | M10x1.25x30   |
| 05       | 901B-080102       | WASHER                                | 13  | 80            |
| 06       | 9DS#-081020-6000  | RH FRONT BRAKE FLUID HOSE             | 1   |               |
| 07       | 7020-081004       | BANJO BOLT                            | 5   |               |
| 08       | 9DS#-081010-6000  | LH FRONT BRAKE FLUID HOSE             | 1   |               |
| 09       | 9CR3-081100-10000 | FRONT BRAKE CALIPER ASSY, LH          | 1   |               |
| 10       | 7020-080010-40000 | HYDRAULIC INDUCTIVE SWITCH            | 1   |               |
| 11       | 9DS#-081040-6000  | FRONT BRAKE FLUID HOSE                | 1   |               |
| 12       | 7020-081070       | HYDRAULIC DISTRIBUTION VALVE          | 1   |               |
| 13       | 7020-080150-1000  | FLUID RESERVOIR                       | 1   |               |
| 14       | 9010-080405       | CLAMP                                 | 2   |               |
| 15       | 9CR6-081002       | FLUID RESERVOIR HOSE 2                | 1   |               |
| 16       | 9CR6-081001       | FLUID RESERVOIR HOSE 1                | 1   |               |
| 17       | 7020-081002       | PIPE CLIP, MASTER CYLINDER            | 2   |               |
| 18       | 9CRB-081010       | MASTER CYLINDER                       | 1   |               |
| 19       | 9CS#-081030-6401  | REAR BRAKE FLUID HOSE                 | 1   |               |
| 20       | 9DS#-082050-6000  | REAR LH BRAKE CALIPER                 | 1   |               |
| 21       | 7020-0810A0       | REAR BRAKE PAD ASSY                   | 2   |               |
| 22       | 9DS#-082060-6000  | REAR RH BRAKE CALIPER                 | 1   |               |
| 23       | 9AY0-081200       | MASTER CYLINDER ASSY, RH HAND BRAKE   | 1   |               |
| 24       | 9AY0-081010       | BRAKE FLUID HOSE, LH HAND BRAKE       | 1   |               |
| 25       | 9DS#-080002-6001  | GUARD, FRONT RH CV JOINT              | 1   |               |
| 26       | 8010-000004       | BOLT M6x14                            | 10  | M6x14         |
| 27       | 9DS#-080001-6001  | GUARD, FRONT LH CV JOINT              | 1   |               |
| 28       | 9DS#-080003-6001  | GUARD, REAR LH CV JOINT               | 1   |               |
| 29       | 30006-060045810   | BOLT M6x45                            | 2   | M6x45         |
| 30       | 30006-060016810   | BOLT M6x16                            | 9   | M6x16         |
| 31       | 30006-080025810   | BOLT                                  | 2   | M8x25         |
| 32       | 30006-060025810   | BOLT M6x25                            | 1   | M6x25         |
| 33       | 30801-01405       | CIRCLIPS FOR SHAFT14                  | 1   | 14            |
| 34       | 30306-140112      | WASHER                                | 1   | 14            |
| 35       | 9CRB-080100       | PEDAL, BRAKE                          | 1   |               |
| 36       | 9DS#-080004-6001  | GUARD, REAR RH CV JOINT               | 1   |               |
| 37       | 30204-060810      | NUT M6                                | 2   | M6            |
| 38       | 9AY0-080005       | PRESS CAP, HAND BRAKE MASTER CYLINDER | 1   |               |
| 39       | 30102-060020870   | INNER HEX SCREW M6x20                 | 2   | M6x20         |

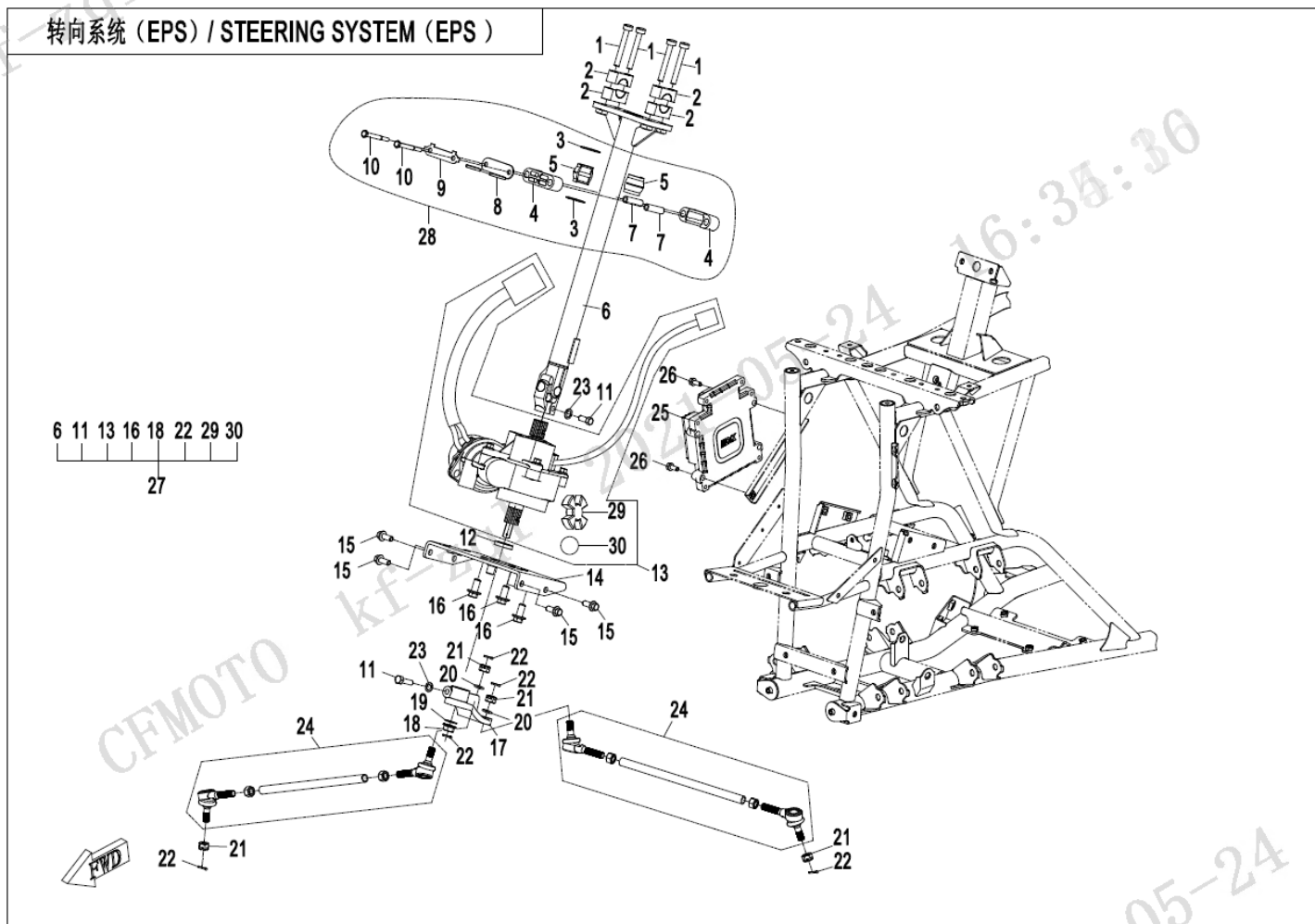
方向把/ HANDLEBAR



F10-1-V3 HANDLEBAR

| Item No. | Parts Number           | Parts Name(EN)                  | Qty | Specification           |
|----------|------------------------|---------------------------------|-----|-------------------------|
| 01       | 6NQ#-000206-6001       | INNER HEX SCREW M6x16           | 4   | M6x16                   |
| 02       | 9AWA-101302-0VE00      | DECO PLATE, RH HAND GUARD       | 1   | NEBULA WHITE            |
| 02       | 9AWA-101302-0RH00      | DECO PLATE, RH HAND GUARD       | 1   | FROCE RED               |
| 02       | 9AWA-101302-0RE00      | DECO PLATE, RH HAND GUARD       | 1   | TRUE TIMBER CAMO        |
| 02       | 9AWA-101302-0HC00      | DECO PLATE, RH HAND GUARD       | 1   | VELOCITY GREY           |
| 03       | 9AWA-101301-10000      | HAND GUARD, RH                  | 1   |                         |
| 04       | A000-080001            | SCREW                           | 2   |                         |
| 05       | 9AWA-101303-10000      | HANDGUARD LEVER, RH             | 1   |                         |
| 06       | 30102-060022810        | SCREW M6x22                     | 4   | M6x22                   |
| 07       | 8060-100001            | LH HAND GRIP                    | 2   |                         |
| 08       | 9AWA-101230-10000      | BRACKET ASSY                    | 2   |                         |
| 09       | 30224-060810           | NUT M6                          | 4   |                         |
| 10       | 9CR6-101204-10000      | PRESS COVER, BRACKET            | 2   |                         |
| 11       | 9AWA-101203-20000      | HANDGUARD LEVER, LH             | 1   |                         |
| 12       | 9DSV-160340-6002       | 2WD/4WD SWITCH ASSY             | 1   |                         |
| 13       | 9DSV-101100-6K00-0BU00 | HANDLEBAR ASSY                  | 1   | SCRUB MIST SILVER BLACK |
| 14       | 9CR6-101202-10000      | SEAT, BRACKET                   | 2   |                         |
| 15       | 30206-060570           | NUT                             | 4   |                         |
| 16       | 9AY0-200300            | REAR VIEW MIRROR ASSY, RH       | 1   |                         |
| 17       | 9DSV-101001-6K00       | UPPER GUARD, HANDLEBAR          | 1   |                         |
| 18       | 9AWV-190001-2E00       | CFMOTO STICKER                  | 1   |                         |
| 19       | 9CR6-080400            | MOUNTING SEAT, REAR VIEW MIRROR | 1   |                         |
| 20       | 9AY0-200200            | REAR VIEW MIRROR ASSY, LH       | 1   |                         |
| 21       | 9DSV-166000-6R00       | LH HANDLEBAR SWITCH ASSY        | 1   |                         |
| 21       | 9DSV-166000-6R01       | LH HANDLEBAR SWITCH ASSY        | 1   |                         |
| 22       | 9AWA-101201-10000      | HAND GUARD, LH                  | 1   |                         |
| 23       | 9AWA-101202-0VE00      | DECO PLATE, LH HAND GUARD       | 1   | NEBULA WHITE            |
| 23       | 9AWA-101202-0RH00      | DECO PLATE, LH HAND GUARD       | 1   | FROCE RED               |
| 23       | 9AWA-101202-0RE00      | DECO PLATE, LH HAND GUARD       | 1   | TRUE TIMBER CAMO        |
| 23       | 9AWA-101202-0HC00      | DECO PLATE, LH HAND GUARD       | 1   | VELOCITY GREY           |
| 24       | 9CR6-105000            | THROTTLE CABLE                  | 1   |                         |
| 25       | 6NQ#-000203-6001       | INNER HEX SCREW M6x20           | 2   | M6x20                   |
| 26       | 30305-060112           | WASHER                          | 2   | 6                       |
| 27       | 30305-080112           | WASHER                          | 2   | 8                       |
| 28       | 30110-420095010        | SELF-TAPPING SCREW ST4.2x9.5    | 4   | ST4.2x9.5               |
| 29       | 9010-080004            | M8 RUBBER PLUG                  | 2   |                         |

转向系统 (EPS) / STEERING SYSTEM (EPS)

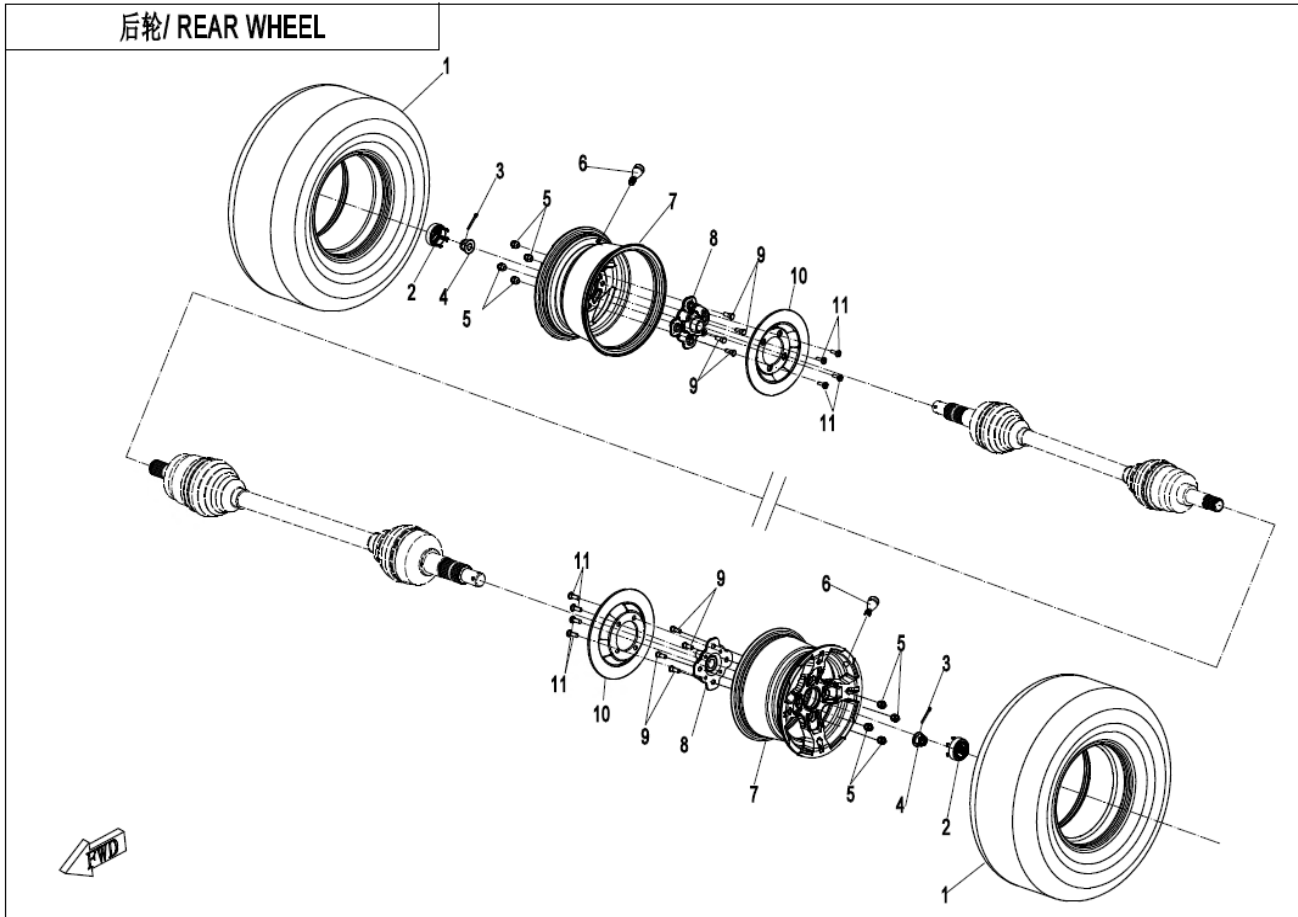


F10-2-B-V2 STEERING SYSTEM(EPS)

| Item No. | Parts Number      | Parts Name(EN)                          | Qty | Specification |
|----------|-------------------|---|-----|---------------|
| 01       | 30102-080045810   | INNER HEX SCREW M8x45                   | 4   | M8x45         |
| 02       | 9DSV-100001-6K00  | HANDLEBAR BLOCK                         | 4   |               |
| 03       | 30502-032800N     | O-RING                                  | 2   | 32x1.8        |
| 04       | 7020-100601-00001 | OUTER BUSHING, STEERING SHAFT SPHERICAL | 2   |               |
| 05       | 7020-100602       | INNER BUSHING, STEERING SHAFT SPHERICAL | 2   |               |
| 06       | 9DSV-102100-6R00  | EPS STEERING STEM ASSY                  | 1   |               |
| 07       | 7020-100604-00001 | BUSHING                                 | 2   |               |
| 08       | 7020-100610-10000 | LINKING PLATE ASSY                      | 1   |               |
| 09       | 7020-100603       | LOCKING PIECE                           | 1   |               |
| 10       | 30003-080075810   | BOLT M8x75                              | 2   | M8x75         |
| 11       | 9CR6-102003       | BOLT M8x35                              | 2   | M8x35         |
| 12       | 9CR6-103003       | SPLINE SLEEVE                           | 1   |               |
| 13       | 9DS#-103300-6000  | EPS DRIVER                              | 1   |               |
| 14       | 9CR6-102200       | PLATE, STEERING STEM                    | 1   |               |
| 15       | 30006-080025810   | BOLT                                    | 4   | M8x25         |
| 16       | 30006-103020810   | BOLT M10x20                             | 3   | M10x20        |
| 17       | 9CR6-102001       | STEERING ARM                            | 1   |               |
| 18       | 30204-122810      | NUT M12x1.25                            | 1   | M12x1.25      |
| 19       | 30306-120112      | WASHER                                  | 1   | 12            |
| 20       | 30306-100112      | WASHER                                  | 2   | 10            |
| 21       | 9010-100002       | 1-TYPE NUT                              | 4   | M10x1.25      |
| 22       | 30903-0252610     | COTTER PIN                              | 5   | 2.5x26        |
| 23       | 30303-080112      | WASHER                                  | 2   | 8             |
| 24       | 9DS#-104100-6000  | STEERING ROD                            | 2   |               |
| 25       | 9DS#-150810-6100  | EPS CONTROLLER                          | 1   |               |
| 26       | 30006-060030810   | BOLT M6x30                              | 2   | M6x30         |
| 27       | 9CR6-106000-20000 | EPS SYSTEM ASSY                         | 1   |               |
| 28       | 7020-1006A0       | BUSHING, STEERING SHAFT                 | 1   |               |
| 29       | 9CR6-103301       | RUBBER DAMPER                           | 1   |               |
| 30       | 30504-065800N     | O-RING                                  | 1   |               |



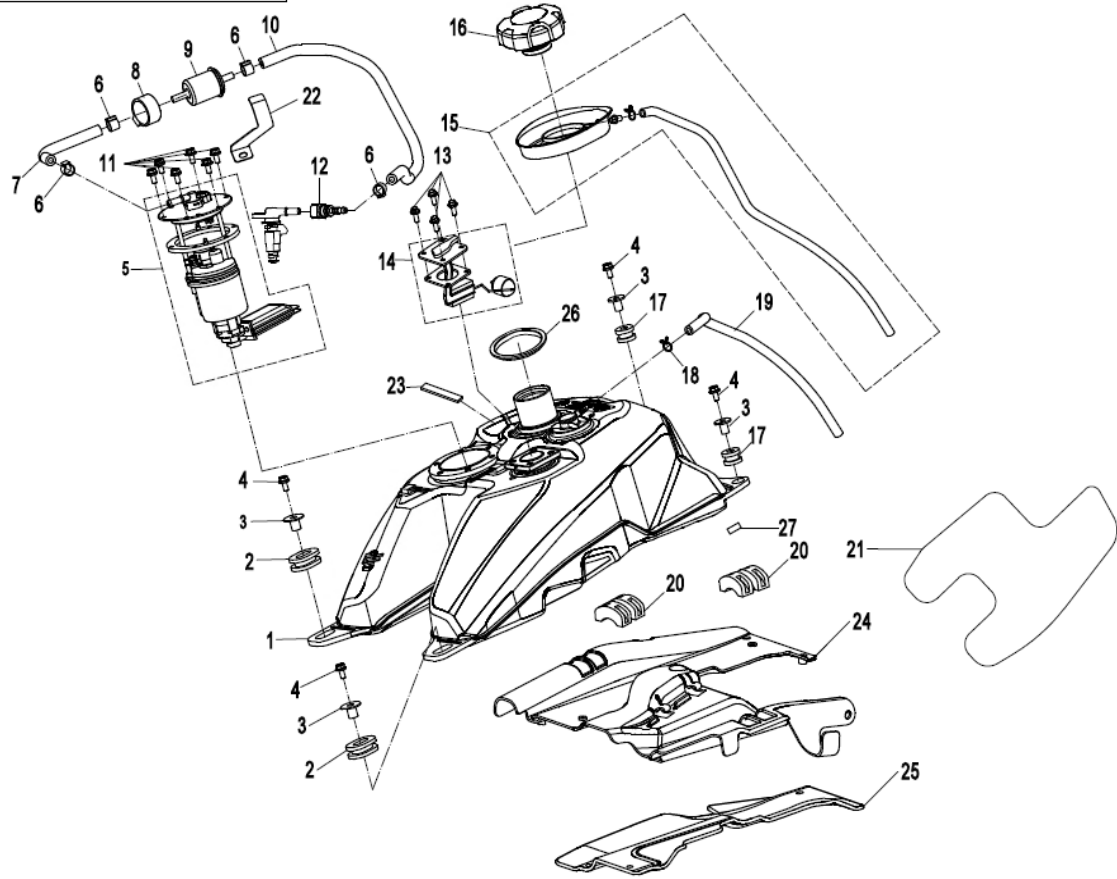
后轮/ REAR WHEEL



F11 REAR WHEEL

| Item No. | Parts Number        | Parts Name(EN)            | Qty | Specification                               |
|----------|---------------------|---------------------------|-----|---|
| 01       | 30703-1213          | REAR TIRE, ATV            | 2   | 25x10.0-12, INNOVA TIRE, OFF-ROAD, USA(DOT) |
| 02       | 5ASV-070101-6001    | DECO COVER, RIM           | 2   |   |
| 03       | 30903-0403610       | COTTER PIN                | 2   | 40x36                                       |
| 04       | 5HY0-110001         | HEX FLANGE NUT            | 2   |   |
| 05       | 9010-070002-A000    | MOUNTING NUT, RIM         | 8   | CHROME PLATED                               |
| 06       | 5190-070030-1000    | VALVE, INFLATION          | 2   |   |
| 07       | 5AS0-110100-6000-11 | REAR RIM                  | 2   | MATTE BLACK                                 |
| 07       | 5AS0-110100-6002    | REAR RIM                  | 2   | MATTE BLACK@REFLECTIVE                      |
| 08       | 9AWV-110001-2B00    | REAR WHEEL BRACKET        | 2   |   |
| 09       | 9010-070201         | BOLT, FRONT WHEEL BRACKET | 8   |   |
| 10       | 7020-080004-00001   | REAR BRAKE DISC           | 2   |   |
| 11       | A000-080001         | SCREW                     | 8   |   |

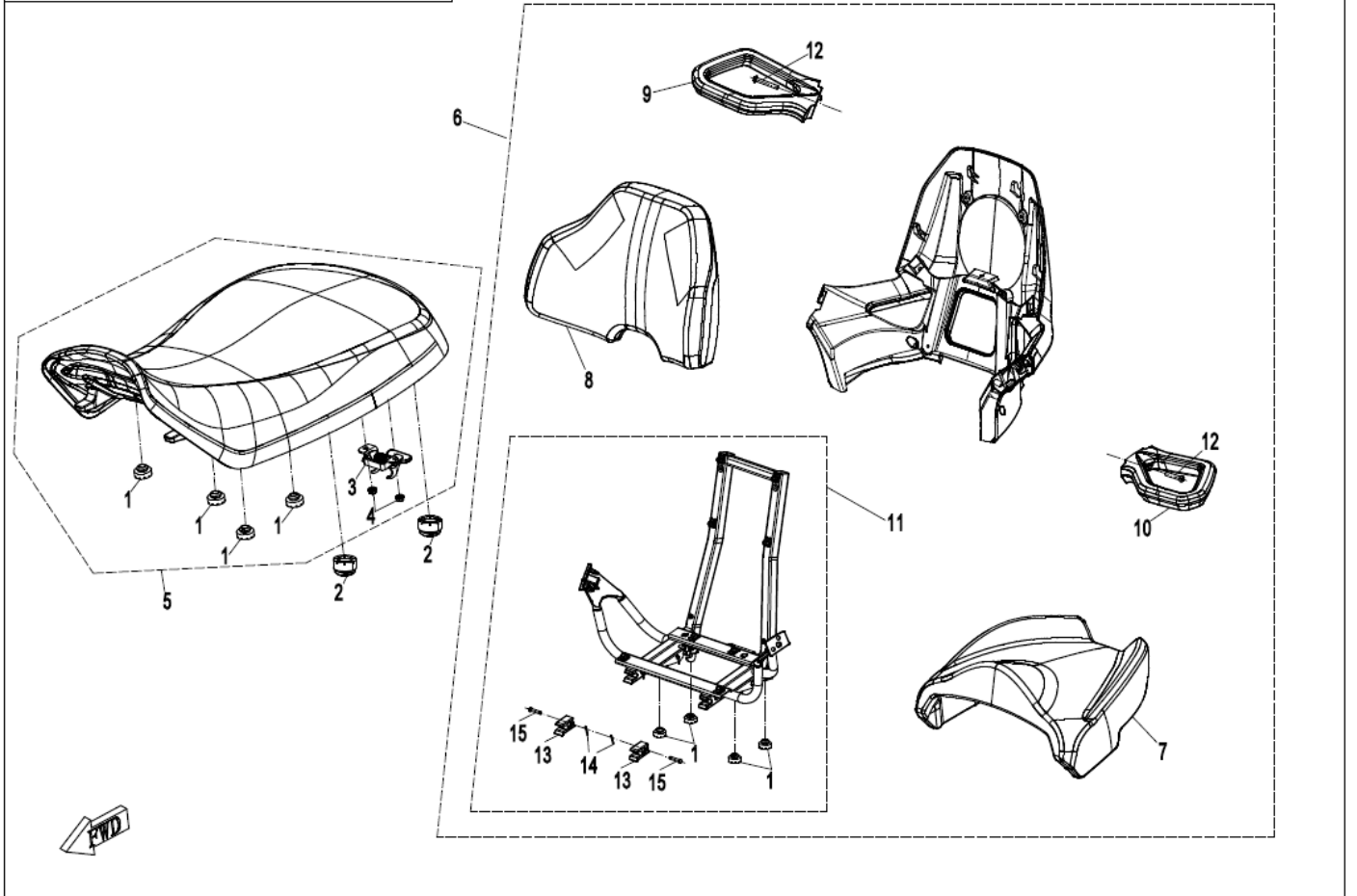
油箱/ FUEL TANK



F12-V2 FUEL TANK

| Item No. | Parts Number      | Parts Name(EN)                        | Qty | Specification                       |
|----------|-------------------|---------------------------------------|-----|-------------------------------------|
| 01       | 9CR6-120100-20000 | FUEL TANK                             | 1   |                                     |
| 02       | 9010-120006       | FRONT RUBBER SLEEVE, FUEL TANK        | 2   |                                     |
| 03       | 9010-120310       | RUBBER LINER, FUEL TANK               | 4   |                                     |
| 04       | 30006-060030810   | BOLT M6x30                            | 4   | M6x30                               |
| 05       | 901F-150900-10000 | FUEL PUMP                             | 1   |                                     |
| 06       | 7020-120006       | CLAMP Dia 16.6                        | 4   |                                     |
| 07       | 9CR6-120210-00001 | HIGH-PRESSURE FUEL HOSE ASSY 1        | 1   |                                     |
| 08       | 6090-120221       | RUBBER SLEEVE, FUEL FILTER, EFI       | 1   |                                     |
| 09       | 805A-120004       | FUEL FILTER, EFI                      | 1   |                                     |
| 10       | 9DS#-120220-6000  | HIGH-PRESSURE FUEL HOSE ASSY 2        | 1   |                                     |
| 11       | 30006-050014810   | BOLT M5x14                            | 6   | M5x14                               |
| 12       | 6KJ0-120330-10000 | QUICK JOINT                           | 1   |                                     |
| 13       | 30006-060010810   | BOLT M6x10                            | 4   | GB5789 M6x10 TRIVALENT CHROMIUM 8.8 |
| 14       | 9CR6-170200-20000 | FUEL LEVEL SENSOR                     | 1   |                                     |
| 15       | 9CR6-120200-00001 | FUEL PAN                              | 1   |                                     |
| 15       | 9DSV-120200-6800  | FUEL PAN ASSY                         | 1   |                                     |
| 16       | 9DS#-120300-6000  | CAP, FUEL TANK                        | 1   |                                     |
| 17       | 9010-120007       | REAR CUSHION SLEEVE, FUEL TANK        | 2   |                                     |
| 18       | 30601-113010      | CLAMP A13                             | 1   | A13                                 |
| 19       | 9CR6-120001       | BREATHER HOSE, FUEL TANK              | 1   |                                     |
| 20       | 9010-120005       | CUSHION MAT, FUEL TANK                | 2   |                                     |
| 21       | 9010-120601-10000 | HEAT INSULATOR, FUEL TANK             | 1   |                                     |
| 22       | 9CR6-120002-00001 | PLATE, FUEL FILTER                    | 1   |                                     |
| 23       | 4020-040202       | SPONGE, FRONT VENTILATION PLATE       | 1   |                                     |
| 24       | 9DSV-044049-6002  | LOWER PANLE, FUEL TANK                | 1   |                                     |
| 25       | 9DS#-042079-6001  | HEAT INSULATOR, FUEL TANK LOWER PANEL | 1   |                                     |
| 26       | 9AW#-120002-2500  | RUBBER, FUEL TANK FILLER              | 1   |                                     |
| 27       | 6NQ0-190005       | GLUE FILM, REAR FORK                  | 1   |                                     |

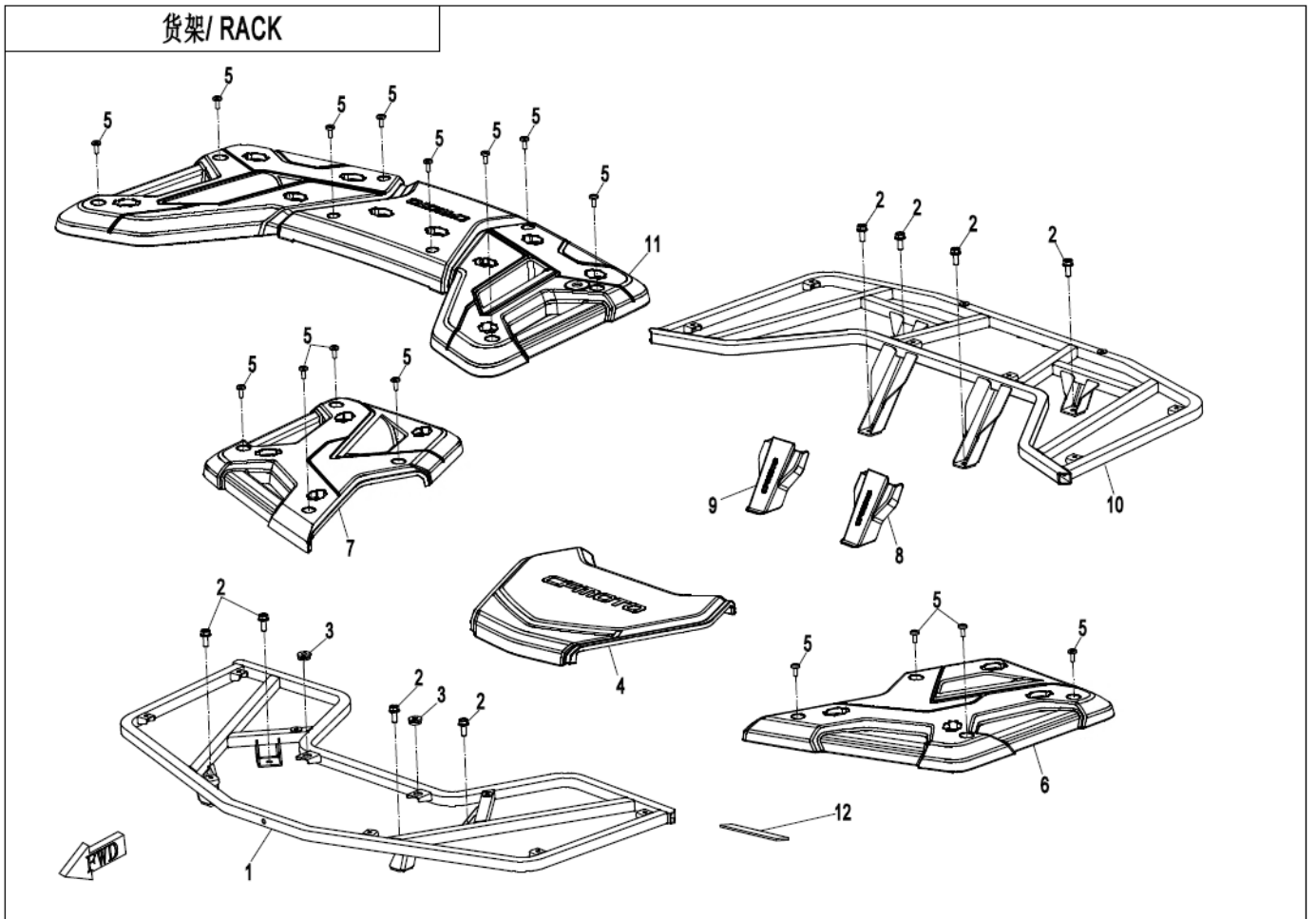
座墊/ SEAT



F13 SEAT

| Item No. | Parts Number        | Parts Name(EN)         | Qty | Specification |
|----------|---------------------|------------------------|-----|---------------|
| 01       | 9AWA-132334-10000   | RUBBER MAT             | 8   |               |
| 02       | 7020-130001         | RUBBER SLEEVE, SEAT    | 2   |               |
| 03       | 9DS#-130110-6000    | SEAT HOOK ASSY         | 1   |               |
| 04       | 30202-060110        | NUT M6                 | 2   | M6            |
| 05       | 9DSV-131000-6002    | FRONT SEAT             | 1   |               |
| 06       | 9AWV-132000-2E00    | REAR SEAT ASSY         | 1   |               |
| 07       | 9AWV-132000-2E00-20 | REAR SEAT ASSY         | 1   |               |
| 08       | 9AWV-132000-2E00-21 | REAR BACKREST ASSY     | 1   |               |
| 09       | 9AWA-132500-10000   | RH ARMREST             | 1   |               |
| 10       | 9AWA-132400-10000   | LH ARMREST             | 1   |               |
| 11       | 9AWA-132300-10000   | REAR SEAT BRACKET ASSY | 1   |               |
| 12       | 30121-100045170     | SCREW M10x45           | 2   | M10x45        |
| 13       | 9AWA-132333         | LIMIT BLOCK            | 2   |               |
| 14       | 30903-0161610       | COTTER PIN             | 2   | 16x16         |
| 15       | 30904-0603010       | PIN SHAFT              | 2   | 60x30         |

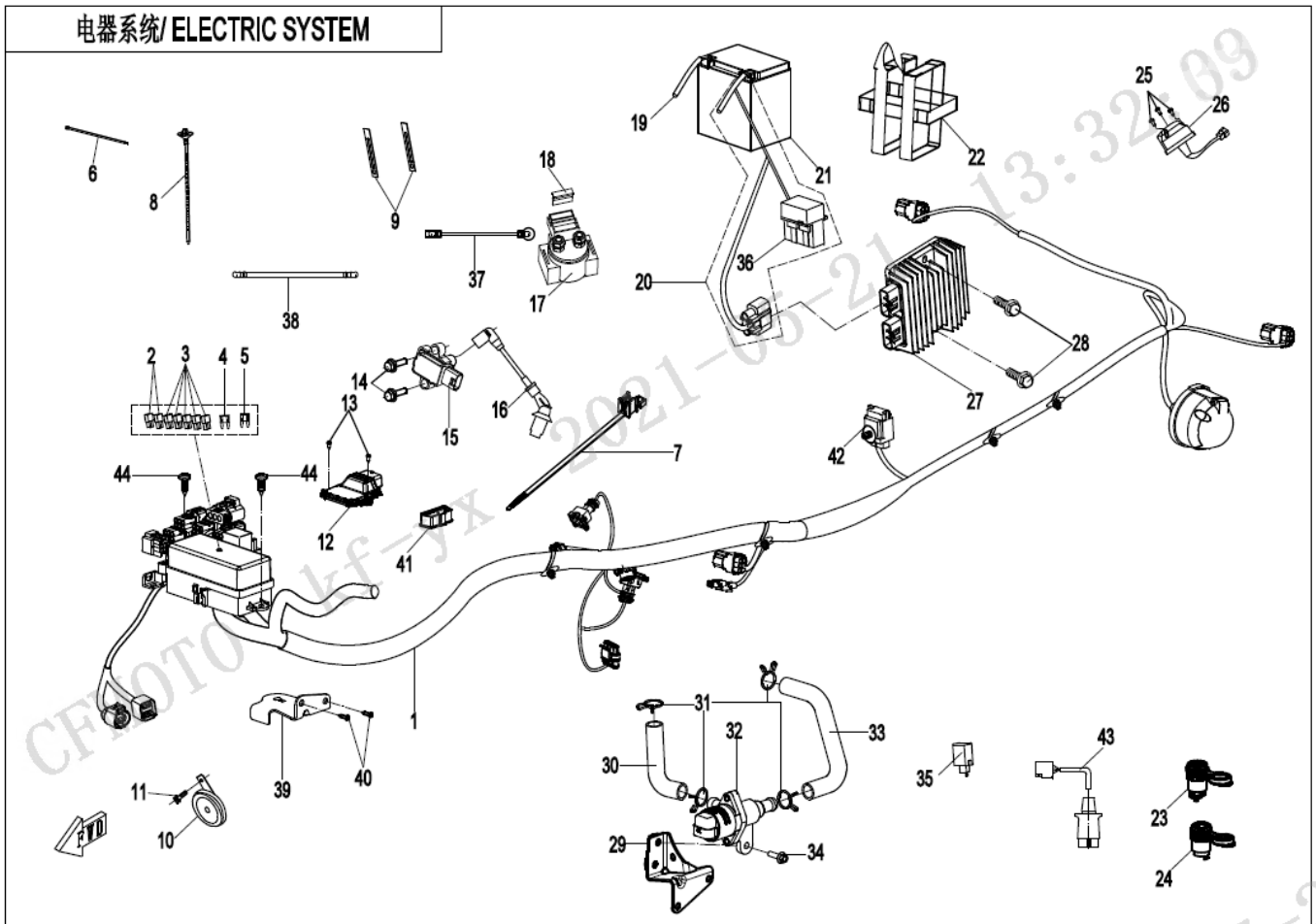
货架/ RACK



### F14-V2 RACK

| Item No. | Parts Number     | Parts Name(EN)                   | Qty | Specification |
|----------|------------------|----------------------------------|-----|---------------|
| 01       | 9DS#-141000-6001 | FRONT RACK                       | 1   |               |
| 02       | 30006-080020810  | BOLT M8x20                       | 8   | M8x20         |
| 03       | 5BY0-040010      | RUBBER SLEEVE                    | 2   |               |
| 04       | 9DSV-140015-6K00 | COVER, FRONT MIDDLE RACK         | 1   |               |
| 05       | 6NQ#-000206-6001 | INNER HEX SCREW M6x16            | 16  | M6x16         |
| 06       | 9DS#-140011-6001 | FRONT LH RACK COVER              | 1   |               |
| 07       | 9DS#-140012-6001 | FRONT RH RACK COVER              | 1   |               |
| 08       | 9DSV-042081-6K00 | LH DECO COVER, REAR RACK BRACKET | 1   |               |
| 09       | 9DSV-042082-6K00 | RH DECO COVER, REAR RACK BRACKET | 1   |               |
| 10       | 9DSV-142000-6002 | REAR RACK ASSY                   | 1   |               |
| 11       | 9DSV-140013-6K00 | COVER, REAR RACK                 | 1   |               |
| 12       | 9060-038129      | SPONGE STRIP 1, HEAT INSULATOR   | 1   |               |

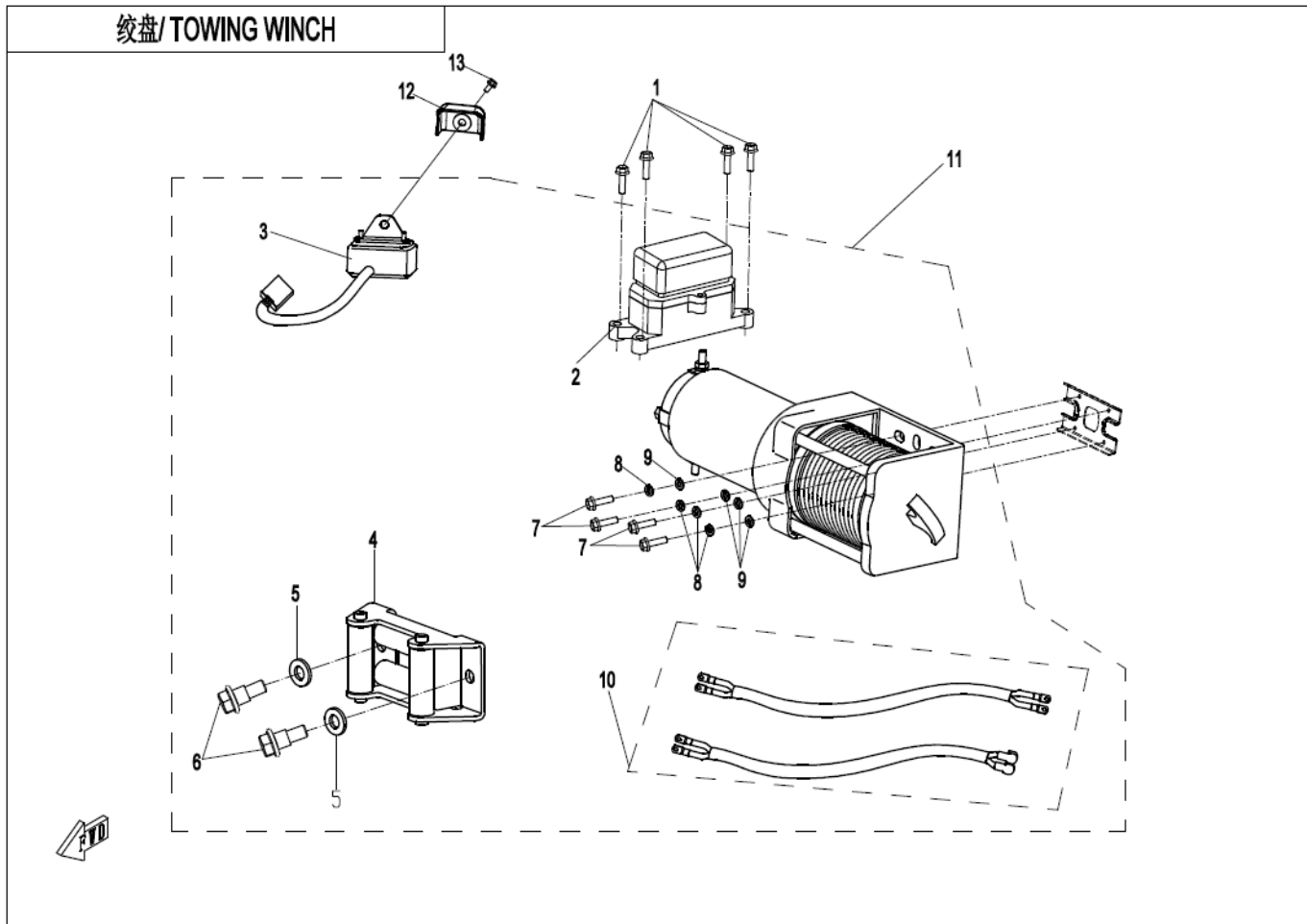
电器系统/ ELECTRIC SYSTEM



F15-1-A-V3 ELECTRIC SYSTEM(NA)

| Item No. | Parts Number        | Parts Name(EN)                   | Qty | Specification    |
|----------|---------------------|----------------------------------|-----|------------------|
| 01       | 9CSV-150100-6R00    | MAIN CABLE                       | 1   |                  |
| 02       | 9010-150350         | AUXILIARY RELAY                  | 2   |                  |
| 03       | 5BY4-150330         | AUXILIARY RELAY                  | 5   |                  |
| 04       | 806A-151305         | FUSE 15A                         | 7   | 15A              |
| 05       | 806A-151302         | FUSE 10A                         | 4   | 10A              |
| 06       | 8010-150003         | TIE BAND                         | 6   | 5x250            |
| 07       | 9DS#-150009-6100-M1 | TIE BAND ZDG4.7x194              | 1   |                  |
| 08       | 7030-150005         | TIE BAND                         | 7   |                  |
| 09       | 0180-014010         | WIRE CLAMP                       | 2   |                  |
| 10       | 5020-150700         | ELECTRIC HORN                    | 1   |                  |
| 11       | 30006-080014810     | BOLT M8x14                       | 1   | M8x14            |
| 12       | 9DS#-001000-6000    | ECU ASSY                         | 1   |                  |
| 13       | 30105-060016410     | SCREW M6x16                      | 2   | M6x16            |
| 14       | 30006-060025810     | BOLT M6x25                       | 2   | M6x25            |
| 15       | 018B-178000         | IGNITION COIL                    | 1   |                  |
| 16       | 0GR0-178000         | HIGH-TENSION CABLE               | 1   |                  |
| 16       | 0GR0-178000-10000   | HIGH VOLTAGE CABLE               | 1   |                  |
| 17       | 9CR6-150310         | STARTER RELAY                    | 1   |                  |
| 18       | 5BY4-151301         | 30A FUSE                         | 2   |                  |
| 19       | 9DS#-150210-6000    | NEGATIVE WIRE, BATTERY           | 1   |                  |
| 20       | 9DS#-150230-6002    | POSITIVE WIRE, BATTERY           | 1   |                  |
| 21       | 31023004            | BATTERY                          | 1   | DYNAVOLT,12V30Ah |
| 22       | 9060-152100         | BELT, BATTERY                    | 1   |                  |
| 23       | 9DSV-150600-6R00    | USB OUTLET SOCKET ASSY           | 1   |                  |
| 23       | 9DSV-150600-6R01    | USB OUTLET SOCKET ASSY           | 1   |                  |
| 24       | 9DSV-150500-6R00    | POWER OUTLET SOCKET ASSY         | 1   |                  |
| 24       | 9DSV-150500-6R01    | POWER OUTLET SOCKET ASSY         | 1   |                  |
| 25       | 30105-050030410     | SCREW M5x30                      | 3   | M5x30            |
| 26       | 7020-150800         | POWER SOCKET, TRAILER            | 1   | ORDINARY         |
| 27       | 0800-177000-30000   | REGULATOR                        | 1   | 600W             |
| 28       | 30006-060030810     | BOLT M6x30                       | 2   | M6x30            |
| 29       | 9GQA-030010-20000   | BRACKET, STEPPER MOTOR           | 1   |                  |
| 30       | 9GQA-001002         | EXHAUST PIPE, STEPPER MOTOR SEAT | 1   |                  |
| 31       | 30601-118010        | CLAMP A18                        | 4   |                  |
| 32       | 0GQ0-175000         | STEPPER MOTOR                    | 1   |                  |
| 33       | 9GQA-001001         | INLET PIPE, STEPPER MOTOR SEAT   | 1   |                  |
| 34       | 30006-060016810     | BOLT M6x16                       | 1   | M6x16            |
| 35       | 9DS#-150340-6001    | FLASHER                          | 1   |                  |
| 36       | CFC#-150008-4500    | FUSE 50A                         | 1   |                  |
| 37       | 9CS#-150220-6701    | CABLE, STARTER MOTOR             | 1   |                  |
| 38       | 9CS#-150250-6700    | NEGATIVE CABLE, STARTER MOTOR    | 1   |                  |
| 39       | 9DS#-030501-6000    | MOUNTING PLATE,FUSE BOX          | 1   |                  |
| 40       | 30110-420130010     | SELF-TAPPING SCREW ST4.2x13      | 2   | ST4.2x13         |
| 41       | 5BY0-150304         | CAP, DIAGNOSIS CONNECTOR         | 1   |                  |
| 42       | 9CR6-103501         | FUSE 40A                         | 2   | 40A              |
| 43       | 9010-151020-20000   | ADAPTOR SEAT, TRAILER POWER      | 1   |                  |
| 44       | 30110-480160010     | SELF-TAPPING SCREW ST4.8x16      | 2   | ST4.8x16         |

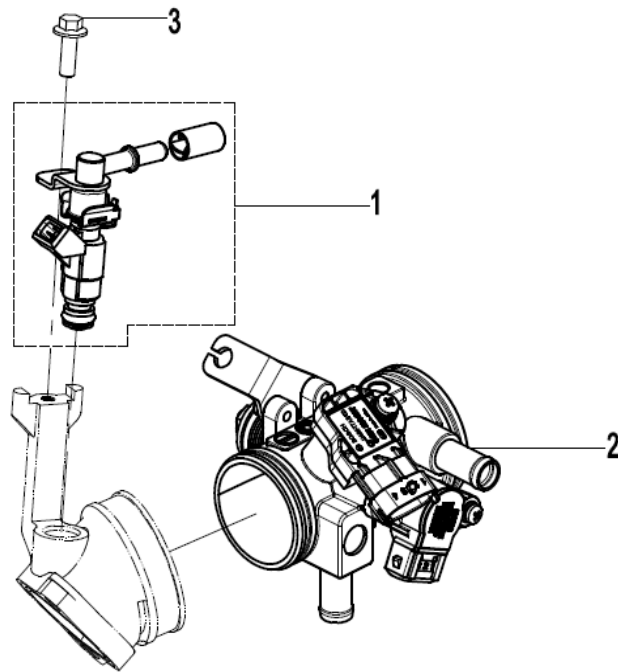
绞盘/TOWING WINCH



F15-2 TOWING WINCH

| Item No. | Parts Number     | Parts Name(EN)           | Qty | Specification |
|----------|------------------|--------------------------|-----|---------------|
| 01       | 30006-060020810  | BOLT M6x20               | 4   | M6x20         |
| 02       | 9010-150720-4000 | CONTROL RELAY            | 1   | LIANDA        |
| 03       | 7020-150710      | SWITCH, WINCH            | 1   |               |
| 04       | 9030-150730      | CABLE PULLEY             | 1   |               |
| 05       | 30303-100112     | WASHER                   | 2   |               |
| 06       | 30004-100025810  | BOLT M10x25              | 2   | M10x25        |
| 07       | 30006-080020810  | BOLT M8x20               | 4   | M8x20         |
| 08       | 30304-080420     | WASHER                   | 4   |               |
| 09       | 30303-080112     | WASHER                   | 4   | 8             |
| 10       | 9CS#-150760-6401 | CABLE, WINCH             | 1   |               |
| 11       | 9CS#-150700-6401 | WINCH ASSY.              | 1   | 3000Lbs       |
| 12       | 9CR6-101002      | DECO COVER, WINCH SWITCH | 1   |               |
| 13       | A000-040702      | INNER HEX SCREW M6x12    | 1   | M6x12         |

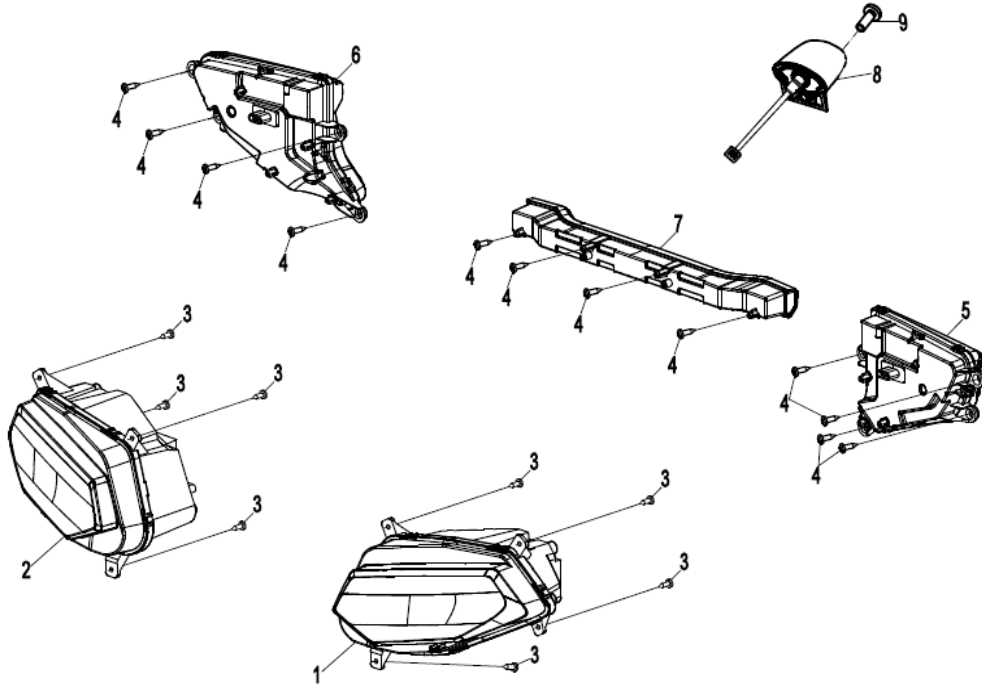
喷油系统/ FUEL INJECTOR SYSTEM



F15-3-V2 FUEL INJECTION SYSTEM

| Item No. | Parts Number      | Parts Name(EN) | Qty | Specification |
|----------|-------------------|----------------|-----|---------------|
| 01       | OGS0-172000-20000 | FUEL RAIL ASSY | 1   |               |
| 01       | OGS#-172000-1000  | FUEL PIPE ASSY | 1   |               |
| 02       | OGQ0-173000-20000 | THROTTLE BODY  | 1   | FULL POWER    |
| 03       | 0110-090008-0030  | BOLT M6x14     | 1   | M6x14         |

灯具/ LIGHTS

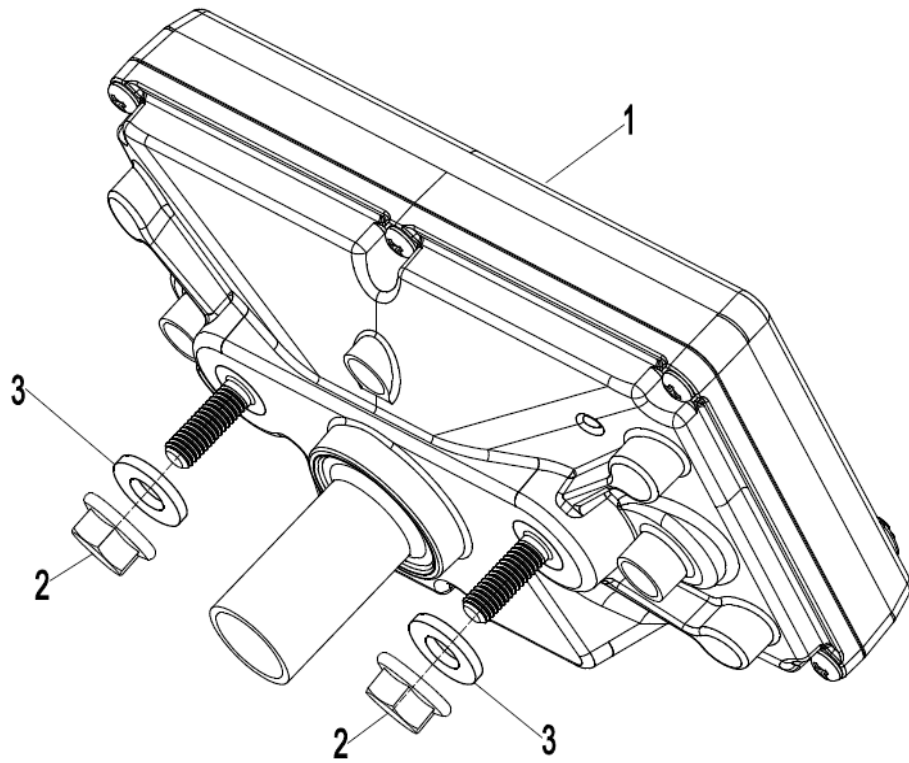


F16 LIGHTS

| Item No. | Parts Number     | Parts Name(EN)              | Qty | Specification |
|----------|------------------|-----------------------------|-----|---------------|
| 01       | 9DS#-160110-6202 | LH HEADLIGHT                | 1   |               |
| 01       | 9DSV-160110-6203 | LH HEADLIGHT                | 1   |               |
| 02       | 9DS#-160120-6202 | RH HEADLIGHT                | 1   |               |
| 02       | 9DSV-160120-6203 | RH HEADLIGHT                | 1   |               |
| 03       | 30110-480160010  | SELF-TAPPING SCREW ST4.8x16 | 8   | ST4.8x16      |
| 04       | 30132-480130030  | SELF-TAPPING SCREW ST4.8x13 | 12  | ST4.8x13      |
| 05       | 9DS#-160210-6001 | LH TAIL LIGHT               | 1   | NA            |
| 06       | 9DS#-160220-6001 | RH TAIL LIGHT               | 1   | NA            |
| 07       | 9DS#-160230-6001 | POSITION LIGHT              | 1   |               |
| 08       | 9AWA-161400      | T3 LICENSE LIGHT            | 1   | SUMITOMO PLUG |
| 09       | 30105-050012410  | SCREW M5x12                 | 1   | M5x12         |



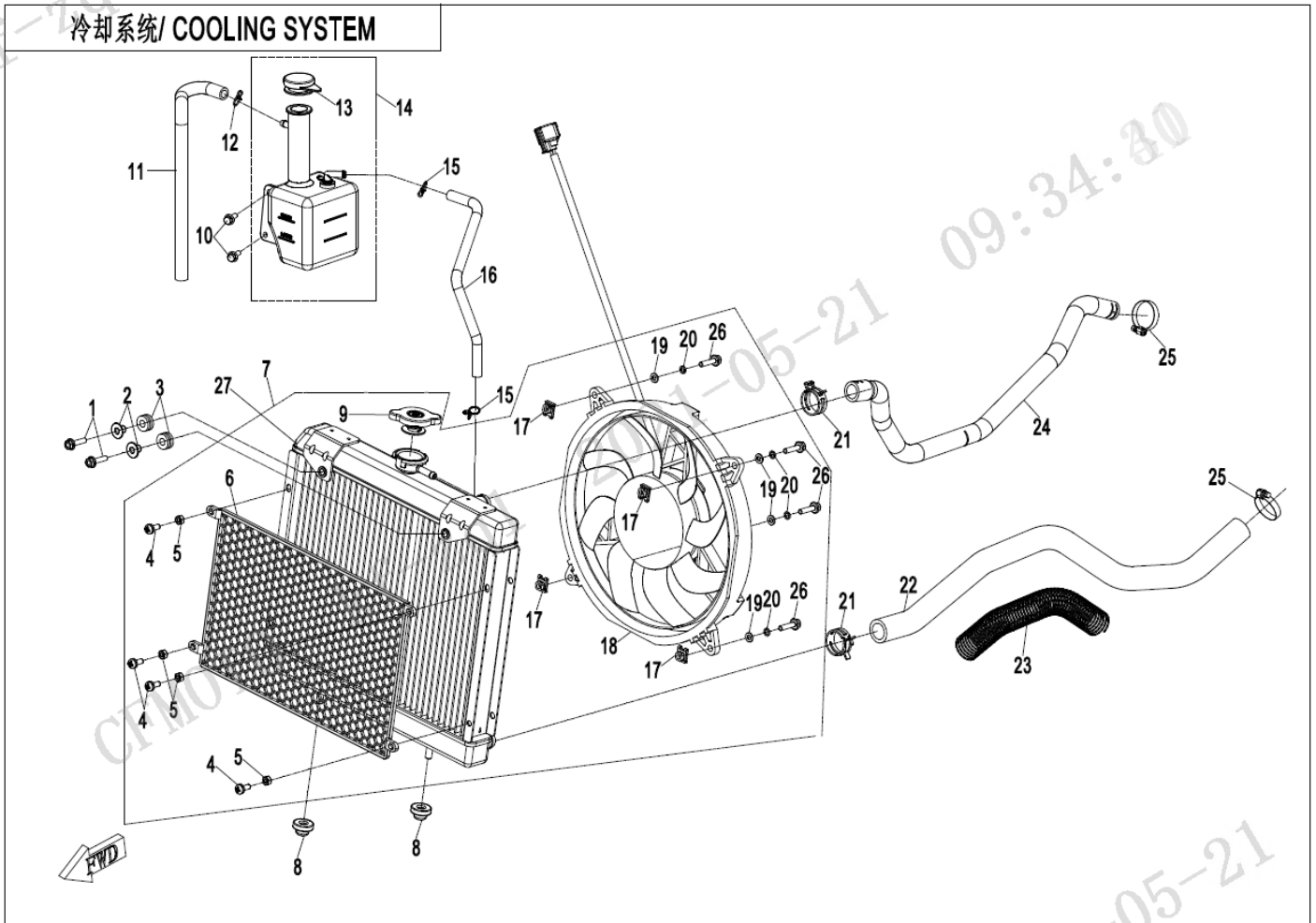
仪表/ DASHBOARD



F17 DASHBOARD

| Item No. | Parts Number     | Parts Name(EN) | Qty | Specification |
|----------|------------------|----------------|-----|---------------|
| 01       | 9DS#-170100-6302 | LCD DASHBOARD  | 1   |               |
| 02       | 30202-060110     | NUT M6         | 2   | M6            |
| 03       | 0A70-052002      | WASHER 10x20x1 | 2   | 10x20x1       |

冷却系统/ COOLING SYSTEM



F18-1-V2 COOLING SYSTEM

| Item No. | Parts Number      | Parts Name(EN)                  | Qty | Specification |
|----------|-------------------|---------------------------------|-----|---------------|
| 01       | 30006-060025810   | BOLT M6x25                      | 2   | M6x25         |
| 02       | 9060-180029       | RUBBER CUSHION TUBE, RADIATOR   | 2   |               |
| 03       | 9060-180027       | RUBBER CUSHION, RADIATOR        | 2   |               |
| 04       | 30112-060016410   | SCREW ASSY M6x16                | 4   | M6x16         |
| 05       | 30200-060810      | NUT M6                          | 4   | M6            |
| 06       | 9010-180006-20000 | DECO COVER                      | 1   |               |
| 07       | 9DSV-181000-6K00  | RADIATOR ASSY                   | 1   |               |
| 08       | 9060-180026       | PIN RUBBER CAP, RADIATOR        | 2   |               |
| 09       | 8010-180024       | CAP, WATER FILLER               | 1   |               |
| 10       | 30006-060016810   | BOLT M6x16                      | 2   | M6x16         |
| 11       | 9DSV-180004-6K00  | OVERFLOW HOSE, RESERVOIR        | 1   |               |
| 12       | 30601-111010      | CLAMP A11                       | 1   | A11           |
| 13       | 8010-180023       | CAP, RESERVOIR TANK             | 1   |               |
| 14       | 9AWA-180010       | RESERVOIR WATER TANK            | 1   |               |
| 15       | 30601-113010      | CLAMP A13                       | 2   | A13           |
| 16       | 9DSV-180003-6K00  | CONNECTING PIPE, RESERVOIR TANK | 1   |               |
| 17       | 8030-040800-00001 | NUT CLIP M6                     | 4   | M6            |
| 18       | 9DSV-181200-6K00  | FAN MOTOR ASSY                  | 1   |               |
| 19       | 30306-060112      | WASHER                          | 4   | 6             |
| 20       | 30303-060112      | WASHER                          | 4   | 6             |
| 21       | A000-180006       | CLAMP B30                       | 2   | B30           |
| 22       | 9CR6-180002       | WATER OUTLET HOSE, RADIATOR     | 1   |               |
| 23       | 0180-023005-0050  | JACKET, WATER HOSE              | 1   |               |
| 24       | 9DSV-180001-6K00  | WATER INLET PIPE, RADIATOR      | 1   |               |
| 25       | 9010-180007       | CLAMP, WATER HOSE               | 2   |               |
| 26       | 30006-060022810   | BOLT M6x22                      | 4   | M6x22         |
| 27       | 9DS#-181100-6001  | RADIATOR                        | 1   |               |

个性贴花总成

CF600AU-3L 美规状态 赤焰红车用

180% (加深) 赤焰红      赤焰红      Black      Pantone Silver C+银粉

左排量贴花

9DSV-190402-6K00-10  
353×70  
材料:透明PVC  
表面亮光光油



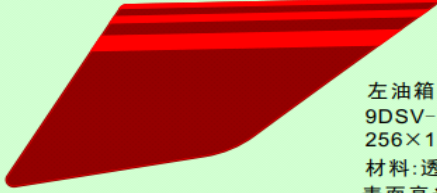
右排量贴花

9DSV-190403-6K00-10  
376×73  
材料:透明PVC  
表面亮光光油



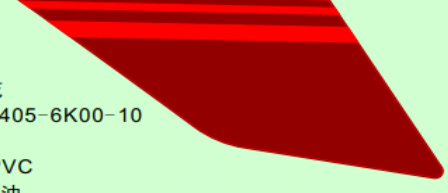
左油箱贴花

9DSV-190404-6K00-10  
256×122  
材料:透明PVC  
表面亮光光油



右油箱贴花

9DSV-190405-6K00-10  
256×122  
材料:透明PVC  
表面亮光光油



商品名贴花×2  
9DSV-190401-6K00-10  
334×33  
材料:透明PVC  
表面亮光光油



CFMOTO贴花×2  
9DS#-190209-6800-10  
176×28  
材料:3M3690光白  
表面哑光光油



CVT贴花

9DS#-190212-6800-10  
89×48  
材料:3M3690光白  
表面哑光光油



TOURING贴花×2  
9CSV-190406-6K00-10  
104×12  
材料:透明PVC  
表面亮光光油



4×4贴花×2  
9DS#-190211-6800-10  
84×20  
材料:3M3690光白  
表面哑光光油



EPS贴花×2  
9GQ0-191307  
55×11  
材料:透明PVC  
表面亮光光油



EBS贴花  
9DS#-190215-6800-10  
50×13  
材料:3M3690光白  
表面哑光光油

F19-1-A DECAL KITS(FROCE RED)

| Item No. | Parts Number        | Parts Name(EN)        | Qty | Specification |
|----------|---------------------|-----------------------|-----|---------------|
| 01       | 9CSV-1902A0         | DECAL ASSY            | 1   |               |
| 02       | 9DSV-190401-6K00-10 | COMMERCIAL NAME DECAL | 2   |               |
| 03       | 9DSV-190402-6K00-10 | LH DISPLACEMENT DECAL | 1   |               |
| 04       | 9DSV-190403-6K00-10 | RH DISPLACEMENT DECAL | 1   |               |
| 05       | 9DSV-190404-6K00-10 | LH DECAL, FUEL TANK   | 1   |               |
| 06       | 9DSV-190405-6K00-10 | RH DECAL, FUEL TANK   | 1   |               |
| 07       | 9CSV-190406-6K00-10 | TOURING DECAL         | 2   |               |
| 08       | 9GQ0-191307         | EPS DECAL             | 2   |               |
| 09       | 9DS#-190215-6800-10 | EBS DECAL             | 1   |               |
| 10       | 9DS#-190211-6800-10 | 4X4 DECAL             | 2   |               |
| 11       | 9DS#-190209-6800-10 | CFMOTO DECAL          | 2   |               |
| 12       | 9DS#-190212-6800-10 | CVT DECAL             | 1   |               |

个性贴花总成

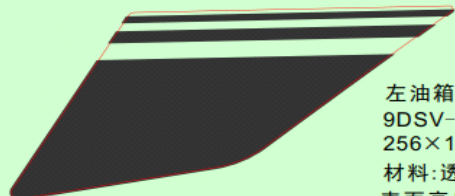
CF600AU-3L 美规状态 速感灰车用

180% (加深) 速感灰      Black      Pantone Silver C+银粉

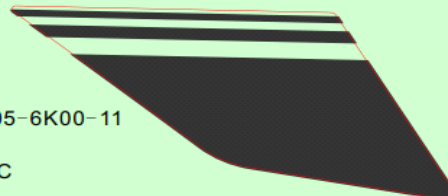
左排量贴花  
9DSV-190402-6K00-11  
353×70  
材料:透明PVC  
表面亮光光油

刀模线

右排量贴花  
9DSV-190403-6K00-11  
376×73  
材料:透明PVC  
表面亮光光油



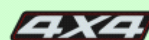
左油箱贴花  
9DSV-190404-6K00-11  
256×122  
材料:透明PVC  
表面亮光光油



右油箱贴花  
9DSV-190405-6K00-11  
256×122  
材料:透明PVC  
表面亮光光油



商品名贴花×2  
9DSV-190401-6K00-10  
334×33  
材料:透明PVC  
表面亮光光油



4×4贴花×2  
9DS#-190211-6800-10  
84×20  
材料:3M3690光白  
表面哑光光油



EPS贴花×2  
9GQ0-191307  
55×11  
材料:透明PVC  
表面亮光光油



CFMOTO贴花×2  
9DS#-190209-6800-10  
176×28  
材料:3M3690光白  
表面哑光光油



TOURING贴花×2  
9CSV-190406-6K00-10  
104×12  
材料:透明PVC  
表面亮光光油



EBS贴花  
9DS#-190215-6800-10  
50×13  
材料:3M3690光白  
表面哑光光油

CVT贴花  
9DS#-190212-6800-10  
89×48  
材料:3M3690光白  
表面哑光光油



F19-1-B DECAL KITS(VELOCITY GREY)

| Item No. | Parts Number        | Parts Name(EN)        | Qty | Specification |
|----------|---------------------|-----------------------|-----|---------------|
| 01       | 9CSV-1902A0-10000   | DECAL ASSY            | 1   |               |
| 02       | 9DSV-190401-6K00-10 | COMMERCIAL NAME DECAL | 2   |               |
| 03       | 9DSV-190402-6K00-11 | LH DISPLACEMENT DECAL | 1   |               |
| 04       | 9DSV-190403-6K00-11 | RH DISPLACEMENT DECAL | 1   |               |
| 05       | 9DSV-190404-6K00-11 | LH DECAL, FUEL TANK   | 1   |               |
| 06       | 9DSV-190405-6K00-11 | RH DECAL, FUEL TANK   | 1   |               |
| 07       | 9CSV-190406-6K00-10 | TOURING DECAL         | 2   |               |
| 08       | 9GQ0-191307         | EPS DECAL             | 2   |               |
| 09       | 9DS#-190215-6800-10 | EBS DECAL             | 1   |               |
| 10       | 9DS#-190211-6800-10 | 4X4 DECAL             | 2   |               |
| 11       | 9DS#-190209-6800-10 | CFMOTO DECAL          | 2   |               |
| 12       | 9DS#-190212-6800-10 | CVT DECAL             | 1   |               |

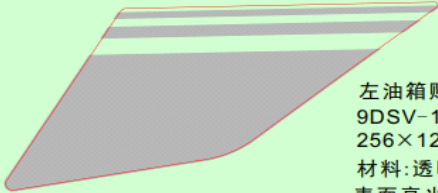
个性贴花总成

CF600AU-3L 美规状态 星光白车用

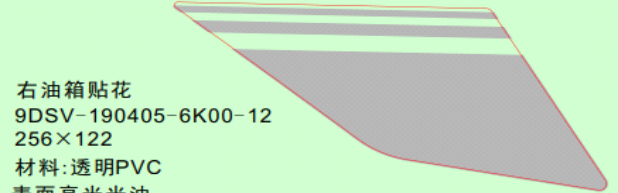
电光银 Black Pantone Silver C+银粉

左排量贴花  
9DSV-190402-6K00-12  
353×70  
材料:透明PVC  
表面亮光光油

右排量贴花  
9DSV-190403-6K00-12  
376×73  
材料:透明PVC  
表面亮光光油



左油箱贴花  
9DSV-190404-6K00-12  
256×122  
材料:透明PVC  
表面亮光光油



右油箱贴花  
9DSV-190405-6K00-12  
256×122  
材料:透明PVC  
表面亮光光油



商品名贴花×2  
9DSV-190401-6K00-10  
334×33  
材料:透明PVC  
表面亮光光油



CFMOTO贴花×2  
9DS#-190209-6800-10  
176×28  
材料:3M3690光白  
表面哑光光油

CVT贴花  
9DS#-190212-6800-10  
89×48  
材料:3M3690光白  
表面哑光光油



TOURING贴花×2  
9CSV-190406-6K00-10  
104×12  
材料:透明PVC  
表面亮光光油



4×4贴花×2  
9DS#-190211-6800-10  
84×20  
材料:3M3690光白  
表面哑光光油



EPS贴花×2  
9GQ0-191307  
55×11  
材料:透明PVC  
表面亮光光油



EBS贴花  
9DS#-190215-6800-10  
50×13  
材料:3M3690光白  
表面哑光光油

F19-1-C DECAL KITS(NUBULA WHITE)

| Item No. | Parts Number        | Parts Name(EN)        | Qty | Specification |
|----------|---------------------|-----------------------|-----|---------------|
| 01       | 9CSV-1902A0-20000   | DECAL ASSY            | 1   |               |
| 02       | 9DSV-190401-6K00-10 | COMMERCIAL NAME DECAL | 2   |               |
| 03       | 9DSV-190402-6K00-12 | LH DISPLACEMENT DECAL | 1   |               |
| 04       | 9DSV-190403-6K00-12 | RH DISPLACEMENT DECAL | 1   |               |
| 05       | 9DSV-190404-6K00-12 | LH DECAL, FUEL TANK   | 1   |               |
| 06       | 9DSV-190405-6K00-12 | RH DECAL, FUEL TANK   | 1   |               |
| 07       | 9CSV-190406-6K00-10 | TOURING DECAL         | 2   |               |
| 08       | 9GQ0-191307         | EPS DECAL             | 2   |               |
| 09       | 9DS#-190215-6800-10 | EBS DECAL             | 1   |               |
| 10       | 9DS#-190211-6800-10 | 4X4 DECAL             | 2   |               |
| 11       | 9DS#-190209-6800-10 | CFMOTO DECAL          | 2   |               |
| 12       | 9DS#-190212-6800-10 | CVT DECAL             | 1   |               |

个性贴花总成

CF600AU-3L 美规状态 猎装枫叶迷彩车用

Pantone Black 4 C
  Pantone 402 C
  Pantone Silver C+银粉
  Pantone 402C

刀模线  
 定位线

左排量贴花  
 9DSV-190402-6K00-13  
 353×70  
 材料:透明PVC  
 表面哑光光油

右排量贴花  
 9DSV-190403-6K00-13  
 376×73  
 材料:透明PVC  
 表面哑光光油



商品名贴花×2  
 9DSV-190401-6K00-13  
 334×33  
 材料:透明PVC  
 表面哑光光油



4×4贴花×2  
 9DS#-190211-6800-11  
 84×20  
 材料:3M3690光白  
 表面哑光光油



EPS贴花×2  
 9GQ0-191307-3  
 55×11  
 材料:透明PVC  
 表面哑光光油



CFMOTO贴花×2  
 9DS#-190209-6800-11  
 176×28  
 材料:3M3690光白  
 表面哑光光油



TOURING贴花×2  
 9CSV-190406-6K00-13  
 104×12  
 材料:透明PVC  
 表面哑光光油



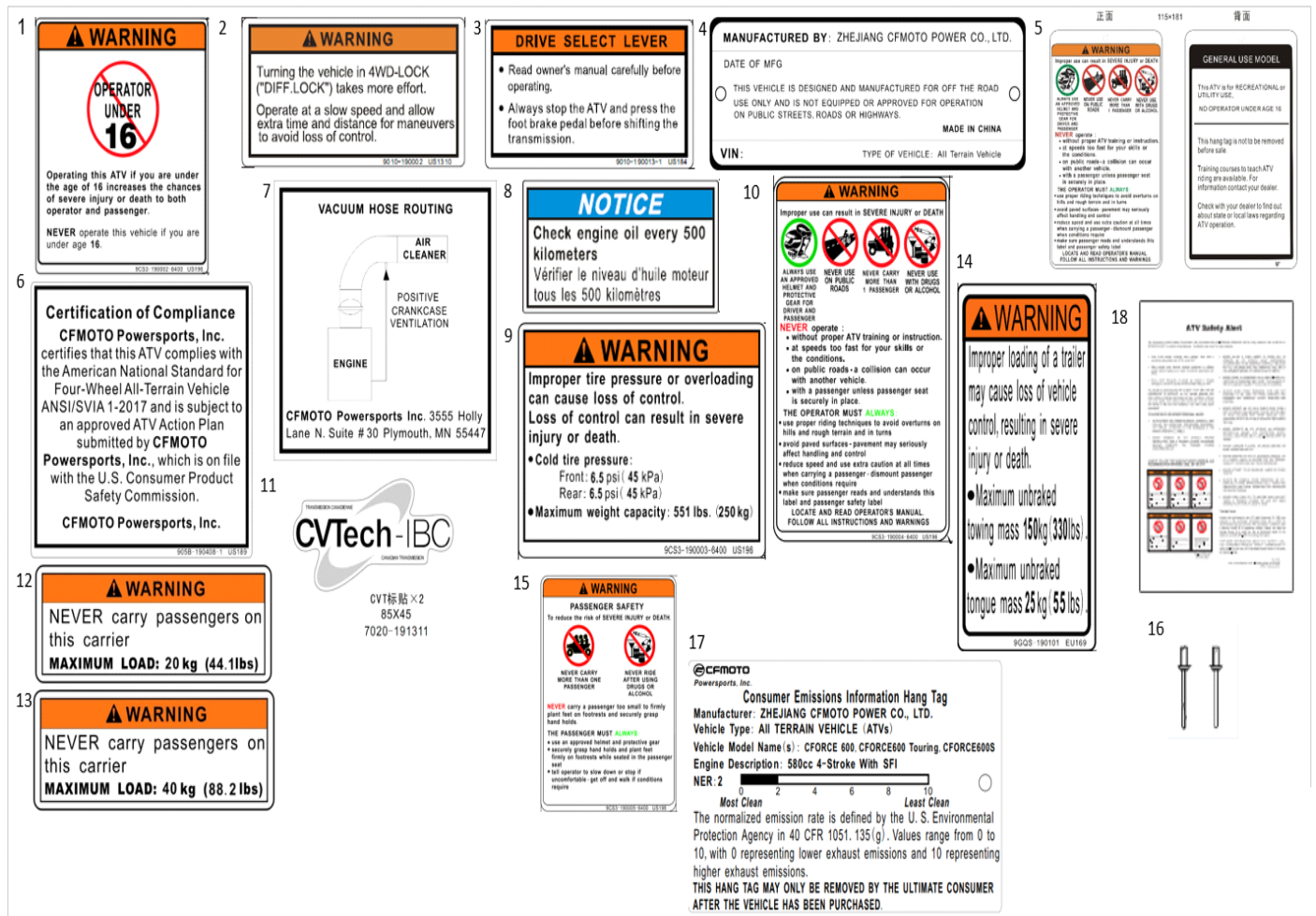
EBS贴花  
 9DS#-190215-6800-10  
 50×13  
 材料:3M3690光白  
 表面哑光光油

CVT贴花  
 9DS#-190212-6800-10  
 89×48  
 材料:3M3690光白  
 表面哑光光油



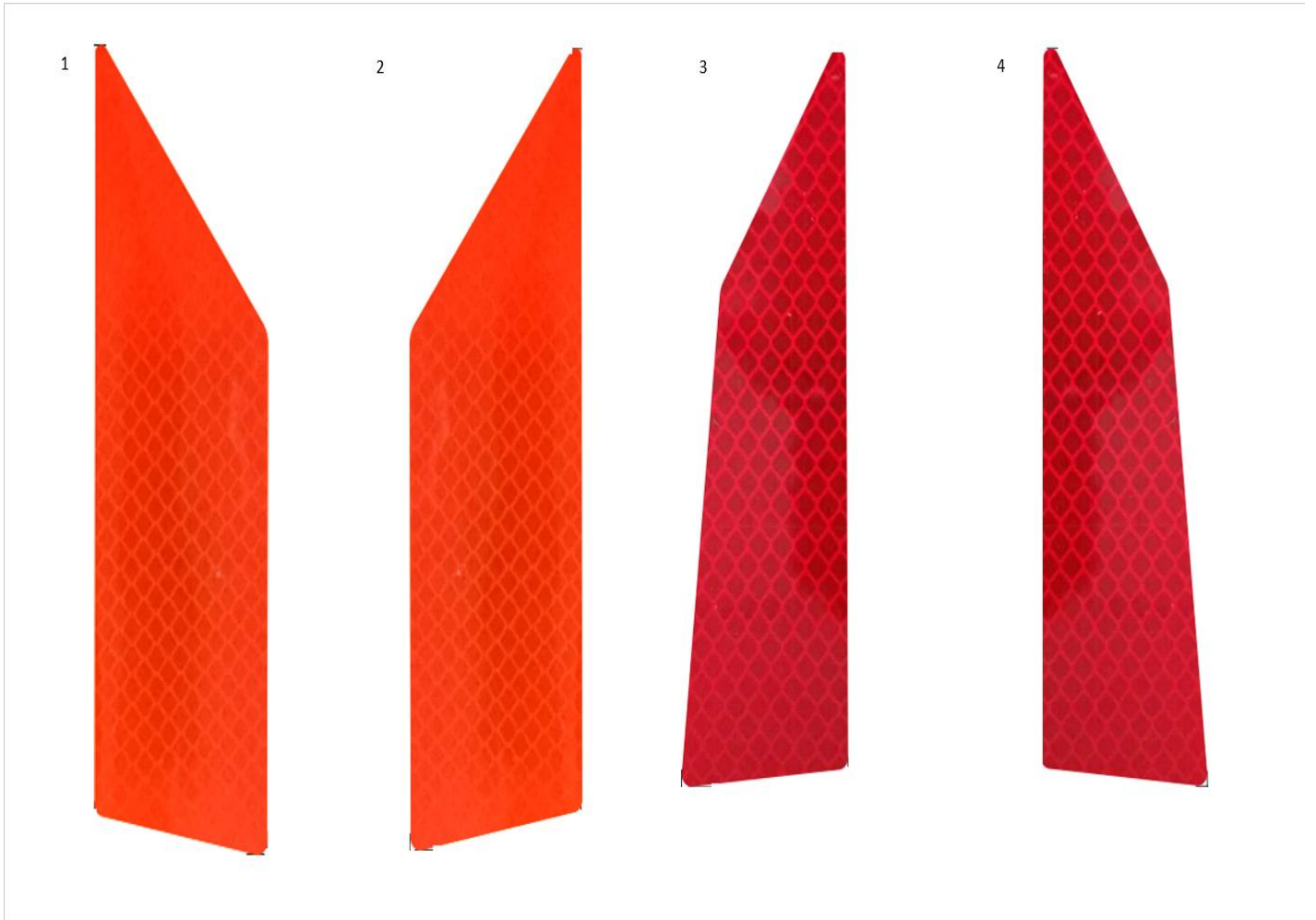
F19-1-D DECAL KITS(TT CAMO)

| Item No. | Parts Number        | Parts Name(EN)        | Qty | Specification |
|----------|---------------------|-----------------------|-----|---------------|
| 01       | 9CSV-1902A0-30000   | DECAL ASSY            | 1   |               |
| 02       | 9DSV-190401-6K00-13 | COMMERCIAL NAME DECAL | 2   |               |
| 03       | 9DSV-190402-6K00-13 | LH DISPLACEMENT DECAL | 1   |               |
| 04       | 9DSV-190403-6K00-13 | RH DISPLACEMENT DECAL | 1   |               |
| 05       | 9CSV-190406-6K00-13 | TOURING DECAL         | 2   |               |
| 06       | 9GQ0-191307-30000   | EPS DECAL             | 2   |               |
| 07       | 9DS#-190215-6800-10 | EBS DECAL             | 1   |               |
| 08       | 9DS#-190211-6800-11 | 4X4 DECAL             | 2   |               |
| 09       | 9DS#-190209-6800-11 | CFMOTO DECAL          | 2   |               |
| 10       | 9DS#-190212-6800-10 | CVT DECAL             | 1   |               |



## F19-2-A-V2 WARNING DECAL(NA)

| Item No. | Parts Number        | Parts Name(EN)                            | Qty | Specification |
|----------|---------------------|---|-----|---------------|
| 01       | 9CS#-190002-6400    | WARNING DECAL, DRIVER'S AGE               | 1   |               |
| 02       | 9010-190002         | WARNING LABEL, 4WD OPERATION              | 1   |               |
| 03       | 9010-190013-10000   | INSTRUCTION LABEL, GEAR SHIFT             | 1   |               |
| 04       | 9010-190015         | VIN PLATE                                 | 1   | NA            |
| 05       | 905C-190405-US13C   | ANSI TAG                                  | 1   | ANSI TAG      |
| 06       | 905B-190408-10000   | DECLARATION DECAL                         | 1   |               |
| 07       | 905B-190412         | LABEL, EXHAUST GAS RECYCLING DRAWING      | 1   |               |
| 08       | 905B-190413         | WARNING DECAL, ENGINE OIL                 | 1   |               |
| 09       | 9CS#-190003-6400    | INSTRUCTION DECAL, TIRE PRESSURE AND LOAD | 1   |               |
| 10       | 9CS#-190004-6400    | DECAL, DRIVE WARNING                      | 1   |               |
| 11       | 9DS#-190212-6800-10 | CVT DECAL                                 | 1   |               |
| 12       | 7020-190304         | INSTRUCTION LABEL, FRONT RACK LOAD        | 1   |               |
| 13       | 7020-190305         | INSTRUCTION DECAL, REAR RACK LOAD         | 1   |               |
| 14       | 9GQS-190101         | DECAL, TOWING LOAD                        | 1   |               |
| 15       | 9CS#-190005-6400    | WARNING DECAL, PASSENGER                  | 1   |               |
| 16       | 30902-0401320       | BLIND RIVET                               | 2   | 4x13          |
| 17       | 9DSV-190003-3100    | HANDLEBAR TAG                             | 1   |               |
| 18       | 9010-380107         | ATV SAFETY LABEL                          | 1   |               |

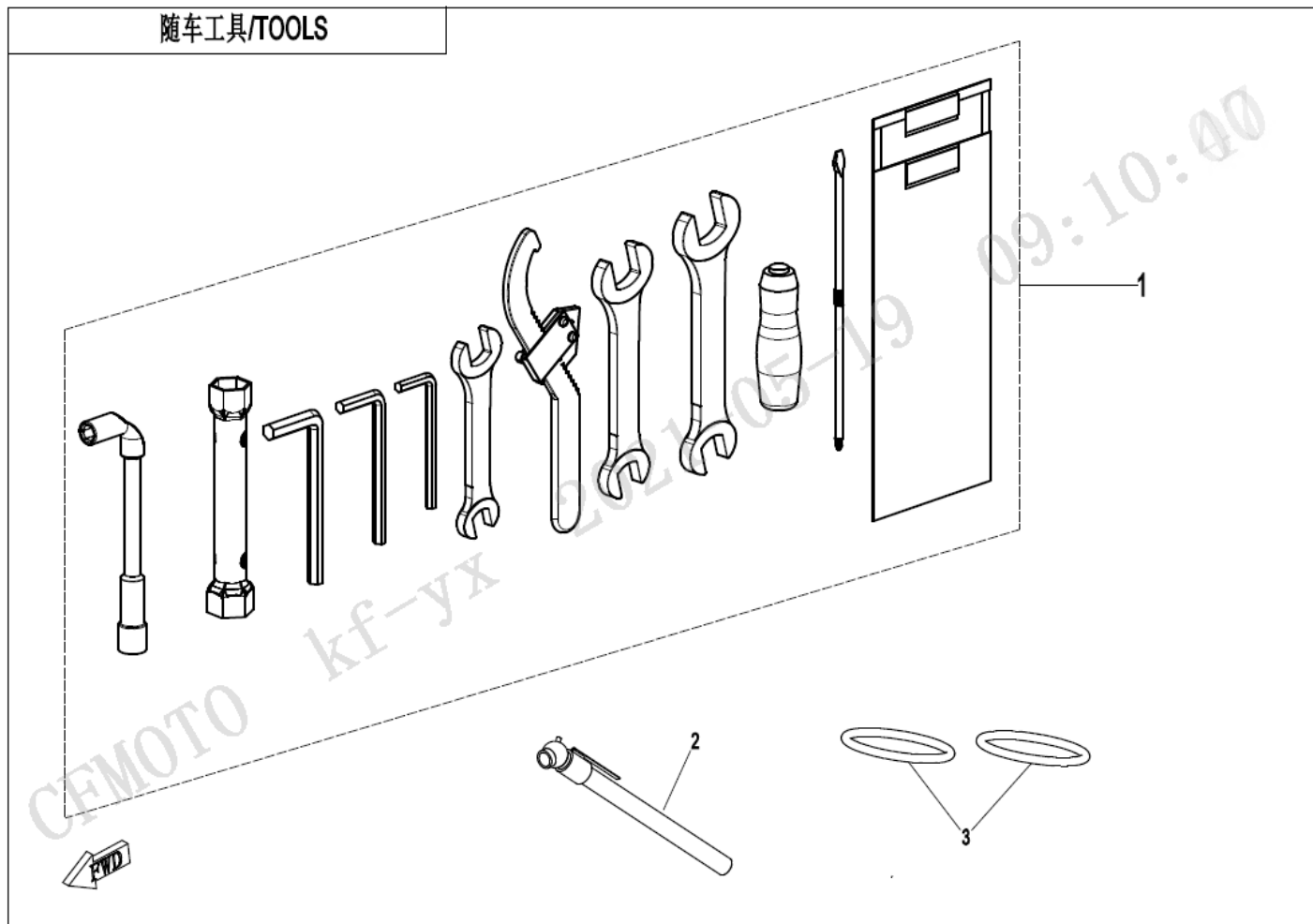


### F19-3 REFLECT FILM

| Item No. | Parts Number     | Parts Name(EN)     | Qty | Specification |
|----------|------------------|--------------------|-----|---------------|
| 01       | 9DS#-190006-6000 | FRONT LH REFLECTOR | 1   |               |
| 02       | 9DS#-190007-6000 | FRONT RH REFLECTOR | 1   |               |
| 03       | 9DS#-190008-6000 | REAR LH REFLECTOR  | 1   |               |
| 04       | 9DS#-190009-6000 | REAR RH REFLECTOR  | 1   |               |



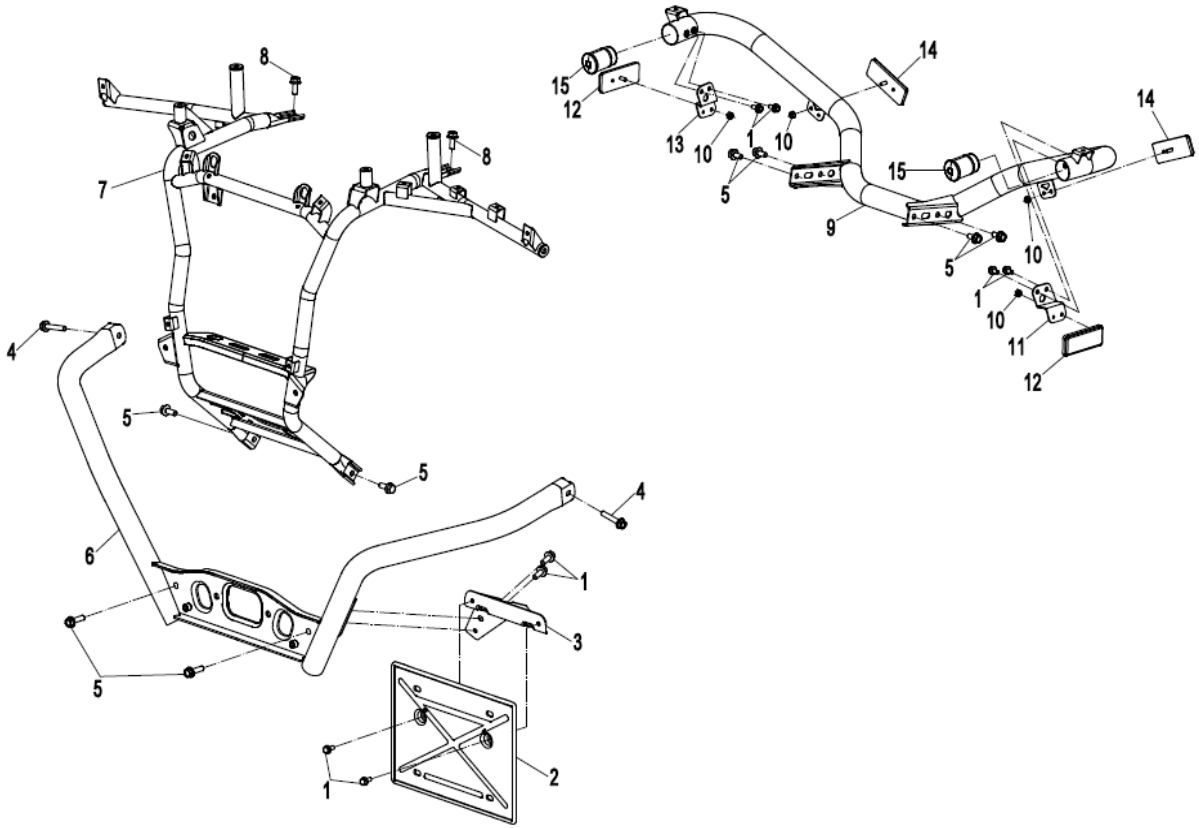
随车工具/TOOLS



F20-V2 TOOLS

| Item No. | Parts Number     | Parts Name(EN)      | Qty | Specification |
|----------|------------------|---------------------|-----|---------------|
| 01       | 9AWV-200100-2E00 | TOOL KIT            | 1   |               |
| 02       | TFQ002           | TIRE PRESSURE PEN   | 1   |               |
| 03       | 6100-200001      | TIE BAND, TOOLS KIT | 2   |               |

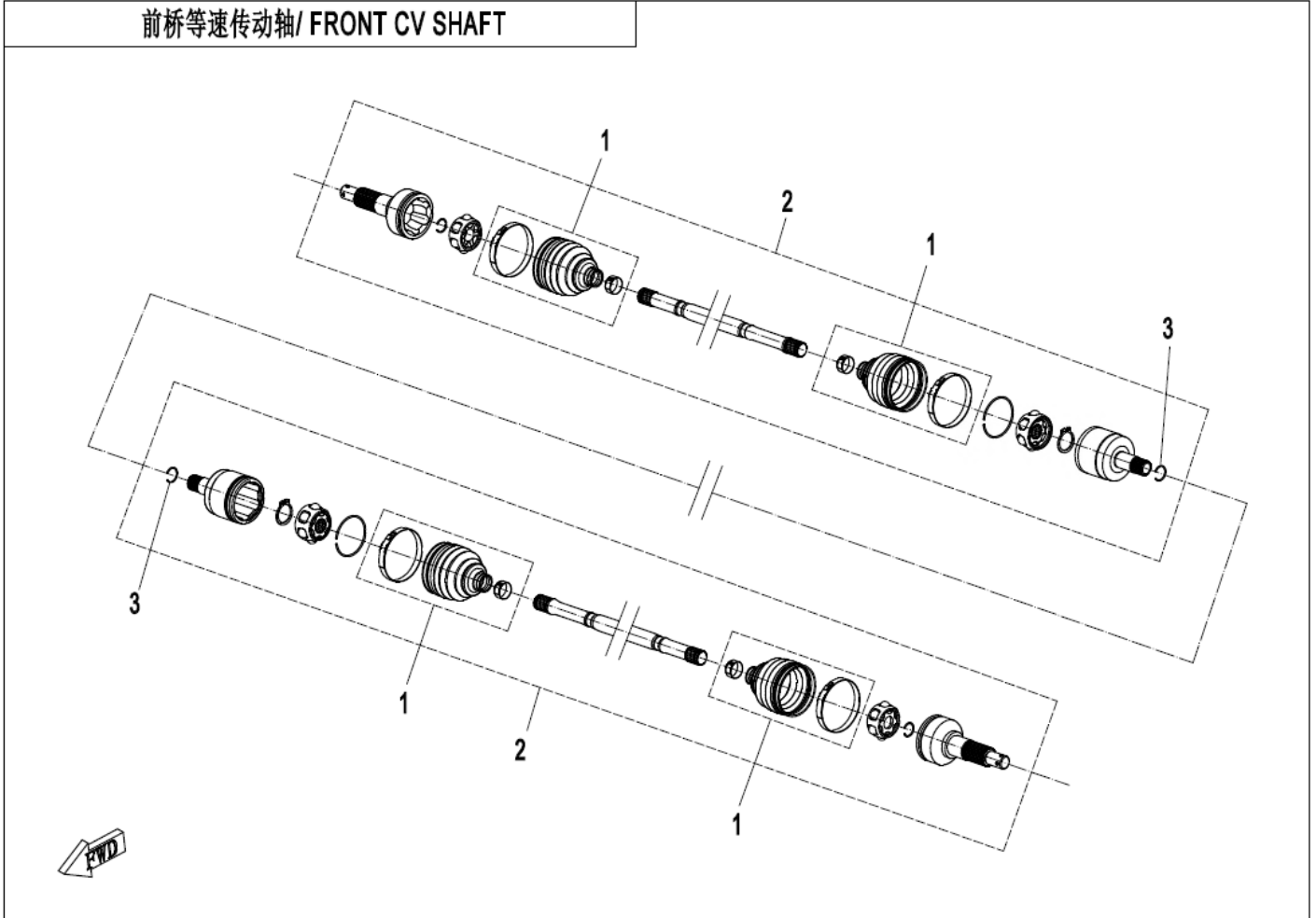
保险杠、顶梁/ BUMPER&CAB FRAME



F23-V2 BUMPER & CAB FRAME

| Item No. | Parts Number        | Parts Name(EN)             | Qty | Specification     |
|----------|---------------------|----------------------------|-----|-------------------|
| 01       | 30006-060012810     | BOLT M6x12                 | 8   | M6x12             |
| 02       | 7000-044601         | BASE PLATE, FRONT LICENSE  | 1   |                   |
| 03       | 9DS#-230010-6000    | BRACKET, FRONT LICENSE     | 1   |                   |
| 04       | 30006-080035810     | BOLT M8x35                 | 2   | M8x35             |
| 05       | 30006-080016810     | BOLT M8x16                 | 8   | M8x16             |
| 06       | 9DS#-232000-6000    | FRONT BUMPER               | 1   |                   |
| 06       | 9DSV-232000-6001    | FRONT BUMPER ASSY          | 1   | MAUD SPIRIT BLACK |
| 07       | 9DSV-231000-6002    | FRONT BRACKET              | 1   |                   |
| 08       | 30006-080020810     | BOLT M8x20                 | 2   | M8x20             |
| 09       | 9DS#-234000-6000    | REAR BUMPER                | 1   |                   |
| 10       | 30202-050110        | NUT M5                     | 4   | M5                |
| 11       | 9DS#-230001-6000    | LH BRACKET, SIDE REFLECTOR | 1   |                   |
| 12       | 5HYV-160920-2501-M1 | FRONT SIDE REFLECTOR       | 2   |                   |
| 13       | 9DS#-230002-6000    | RH BRACKET, SIDE REFLECTOR | 1   |                   |
| 14       | 5190-160230         | REAR REFLECTOR             | 2   | RECTANGLE, RED    |
| 15       | 9DS#-042088-6000    | PLUG, BUMPER               | 2   |                   |

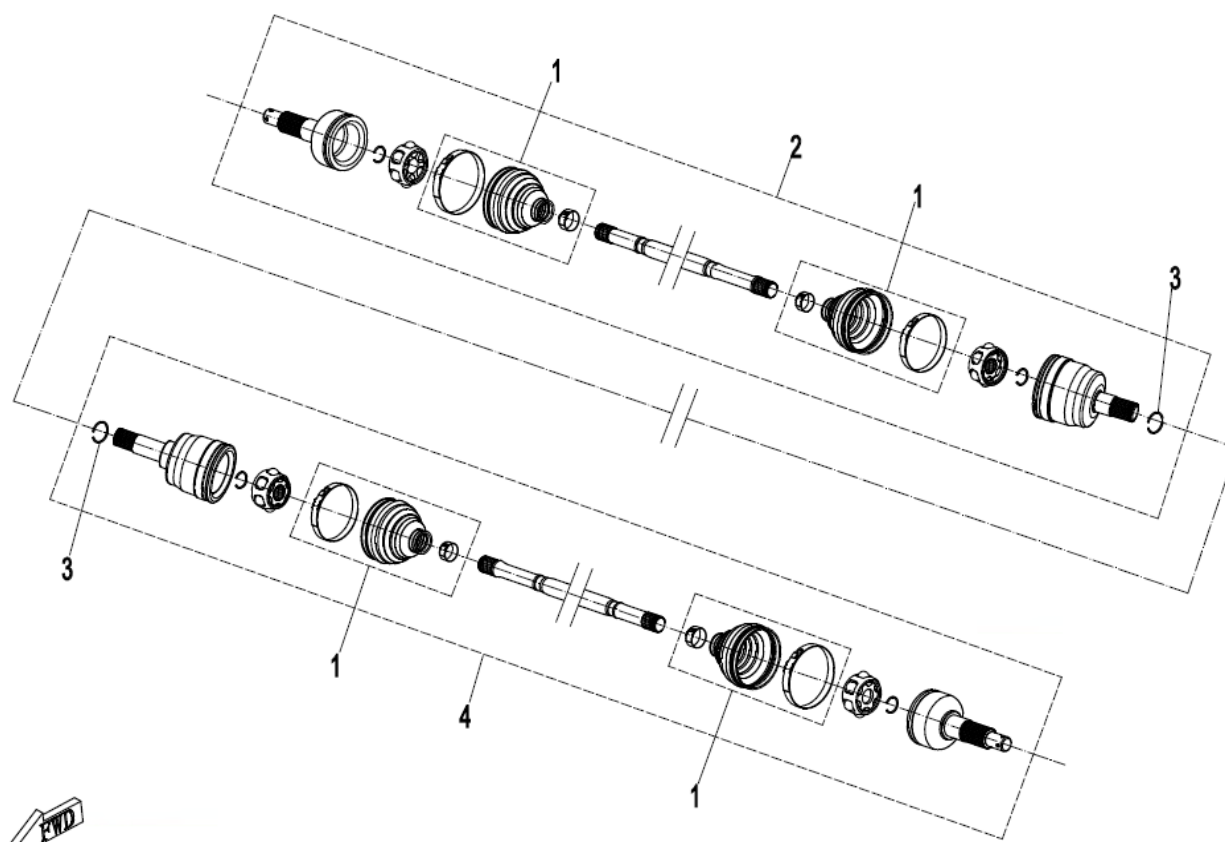
前桥等速传动轴 / FRONT CV SHAFT



F27 FRONT CV SHAFT

| Item No. | Parts Number      | Parts Name(EN)           | Qty | Specification |
|----------|-------------------|--------------------------|-----|---------------|
| 01       | 9GQ0-280150       | DUST BOOT KIT, FIXED END | 4   |               |
| 02       | 9DS#-270300-6000  | FRONT CV DRIVE SHAFT     | 2   |               |
| 03       | 9010-270203-00001 | WIRE CIRCLIP             | 2   |               |

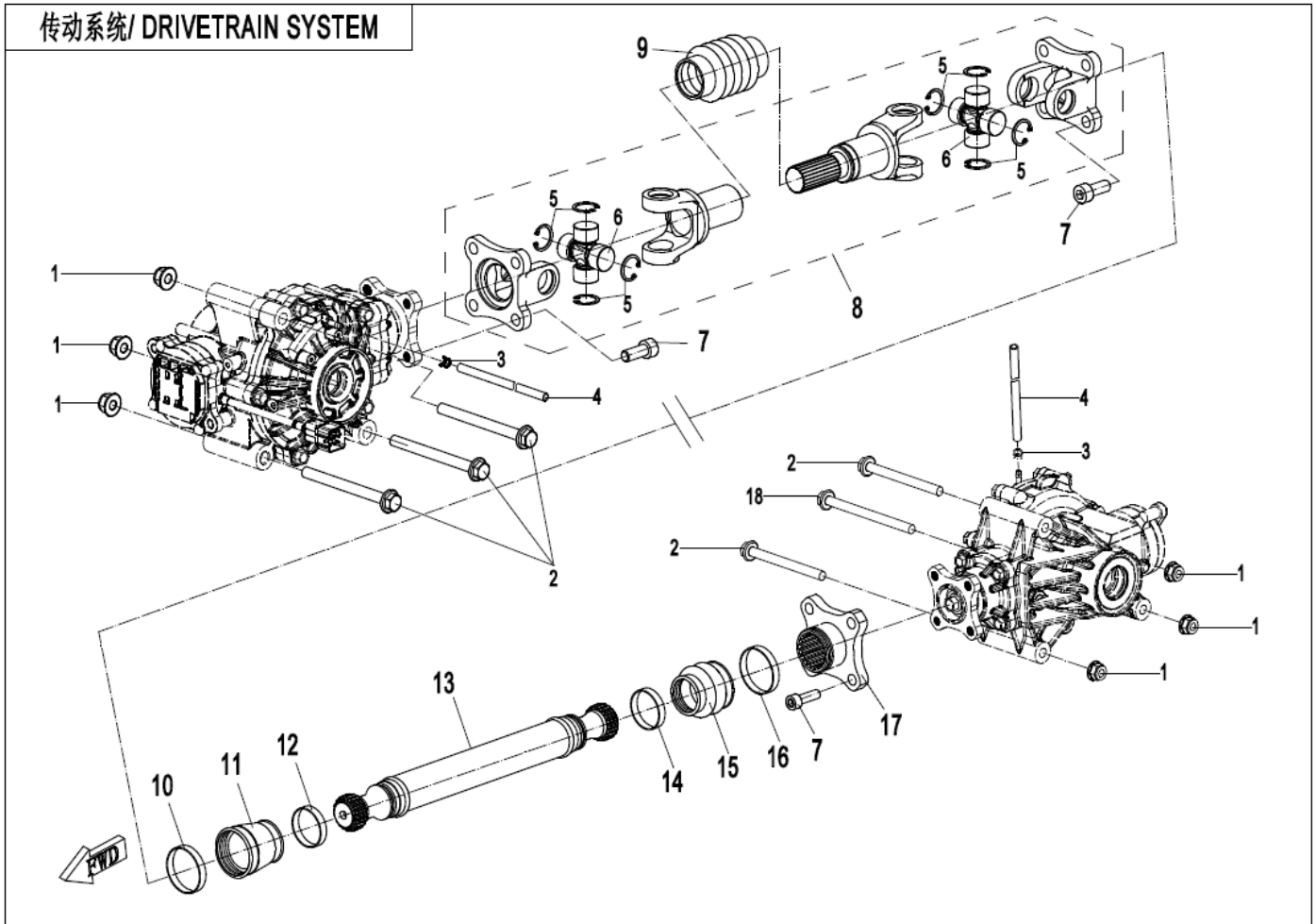
后桥等速传动轴/ REAR CV SHAFT



F28 REAR CV SHAFT

| Item No. | Parts Number      | Parts Name(EN)            | Qty | Specification |
|----------|-------------------|---------------------------|-----|---------------|
| 01       | 7020-280160-50000 | DUST BOOT, REAR FIXED END | 4   | ODM           |
| 02       | 9DS#-280200-6000  | REAR CV DRIVE SHAFT, RH   | 1   |               |
| 03       | 9010-270203-00001 | WIRE CIRCLIP              | 2   |               |
| 04       | 9DS#-280100-6000  | REAR CV DRIVE SHAFT, LH   | 1   |               |

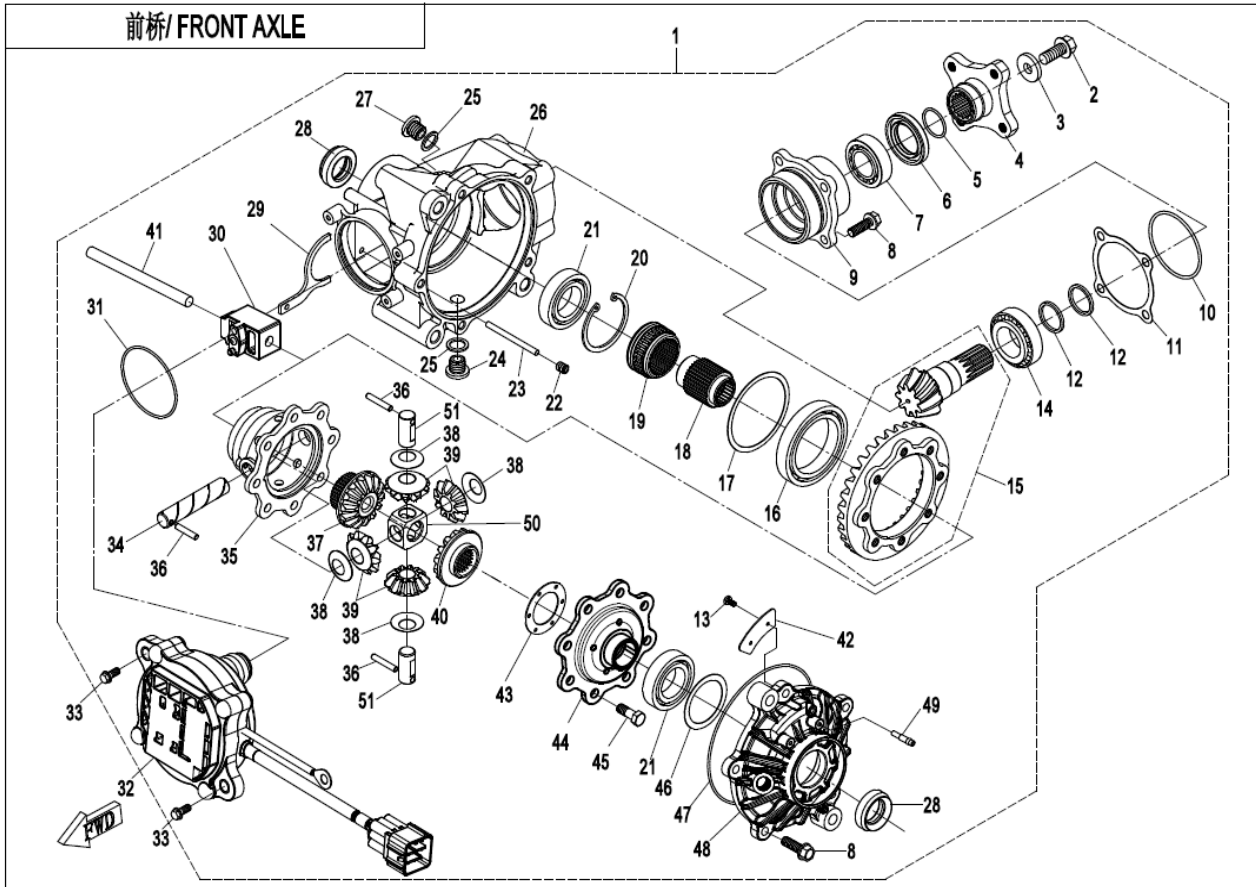
传动系统/ DRIVETRAIN SYSTEM



F30 DRIVETRAIN SYSTEM

| Item No. | Parts Number      | Parts Name(EN)                 | Qty | Specification |
|----------|-------------------|--------------------------------|-----|---------------|
| 01       | 30204-102810      | NUT M10x1.25                   | 6   | M10x1.25      |
| 02       | 30006-102110110   | BOLT M10x1.25x110              | 5   | M10x1.25x110  |
| 03       | 30601-108010      | CLAMP A8                       | 2   | A8            |
| 04       | 9010-310001       | BREATHER HOSE, FRONT GEAR CASE | 2   |               |
| 05       | 30800-02205       | CIRCLIP FOR HOLE               | 8   | 22            |
| 06       | 9GQ0-290210       | CROSS SHAFT, UNIVERSAL JOINT   | 2   |               |
| 07       | 30102-102025810   | SCREW M10x1.25x25              | 12  | M10x1.25x25   |
| 08       | 9DS#-290200-6000  | FRONT DRIVE SHAFT              | 1   |               |
| 09       | 7000-290001       | DUST BOOT                      | 1   |               |
| 09       | 700V-290001-1700  | DUST BOOT                      | 1   |               |
| 10       | 9GQ0-290104       | BIG CLAMP                      | 1   |               |
| 11       | 9GQ0-290103-10000 | DUST BOOT                      | 1   |               |
| 12       | 9GQ0-290102       | SMALL CLAMP                    | 1   |               |
| 13       | 9CRB-300110       | REAR CORE SHAFT                | 1   |               |
| 14       | 9CR6-300204       | SMALL CLAMP                    | 1   |               |
| 15       | 9CR6-300203-10000 | DUST BOOT                      | 1   |               |
| 16       | 9CR6-300202       | BIG CLAMP                      | 1   |               |
| 17       | 9CR6-300206-10000 | DRIVE SLEEVE, REAR GEAR CASE   | 1   |               |
| 18       | 30006-102130810   | BOLT M10x1.25x130              | 1   | M10x1.25x130  |

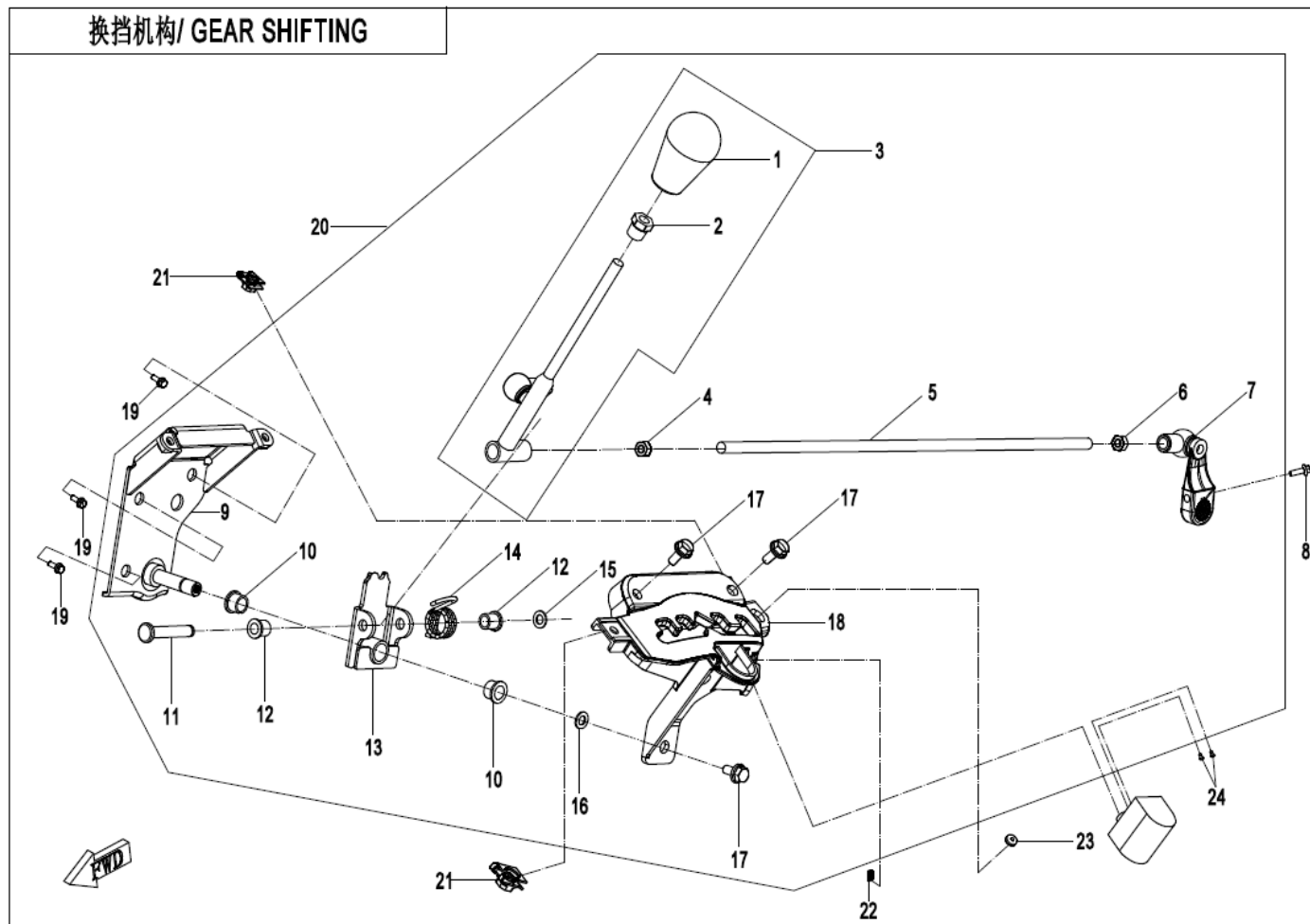
前桥/Front Axle



F31-V2 FRONT AXLE

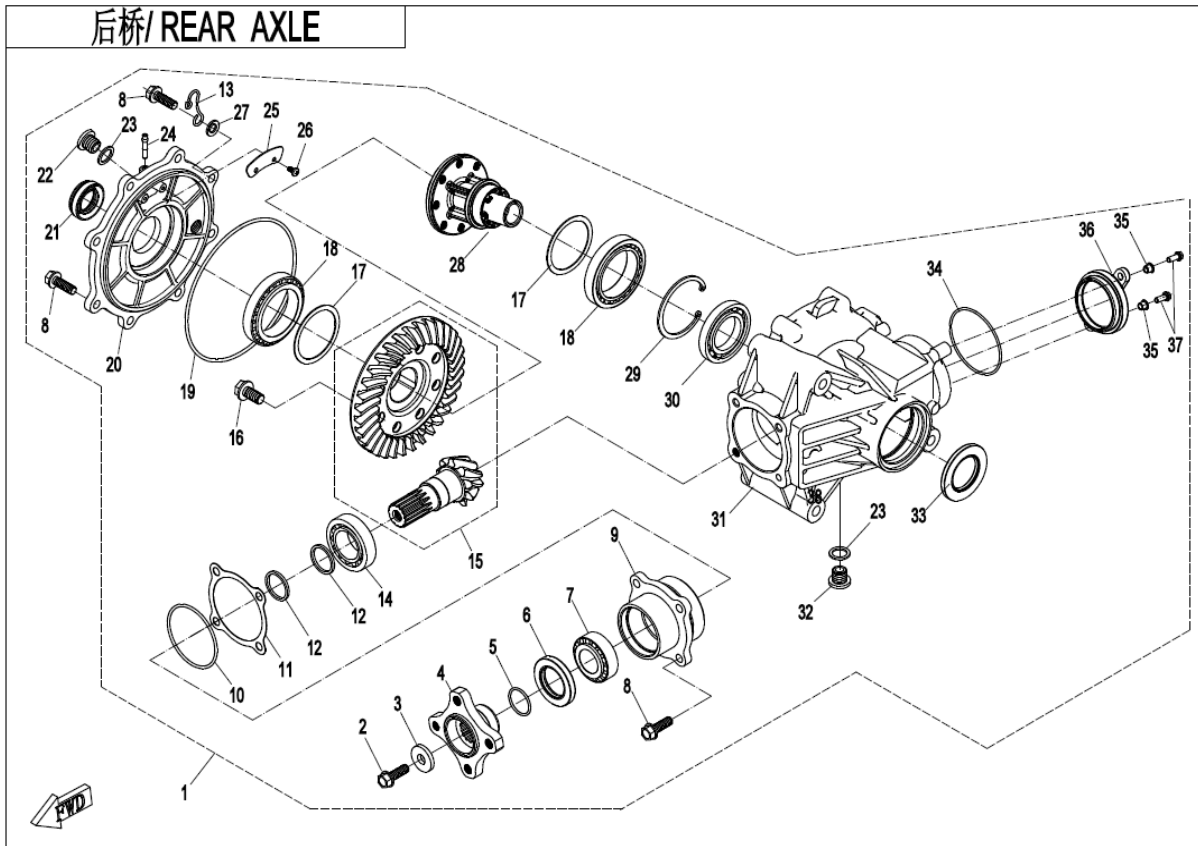
| Item No. | Parts Number      | Parts Name(EN)                       | Qty | Specification  |
|----------|-------------------|--------------------------------------|-----|--|
| 01       | Q830-310000-60000 | FRONT GEAR CASE ASSY                 | 1   |  |
| 02       | 0GR0-062203       | BOLT M10x1.25x20                     | 1   | M10x1.25x20  |
| 03       | 0GR0-062204       | WASHER 10x27.5x4                     | 1   | 10x27.5x4  |
| 04       | Q850-331002       | COUPLER                              | 1   |  |
| 05       | 0800-062205       | O-SEAL RING 25x2                     | 1   | 25x2   |
| 06       | 0800-062204       | OIL SEAL 35x50x7                     | 1   | 35x50x7  |
| 07       | 30409-02500       | BEARING                              | 1   | 33005(25x47x17)  |
| 08       | 0110-060011-0010  | BOLT M8x28                           | 9   | M8x28  |
| 09       | Q830-311002-00001 | BEARING SEAT                         | 1   |  |
| 10       | Q830-310006-10000 | O-RING 55x2.5                        | 1   | 55x2.5   |
| 11       | Q830-310023-00200 | ADJUSTING WASHER T=0.30              | 1   | T=0.30   |
| 11       | Q830-310023-00100 | ADJUSTING WASHER T=0.20              | 1   | T=0.20   |
| 12       | Q830-311003-01400 | ADJUSTING WASHER 32x25.4 T=3.00      | 2   | T=3.00   |
| 12       | Q830-311003-01300 | ADJUSTING WASHER 32x25.4 T=2.90      | 2   | T=2.90   |
| 12       | Q830-311003-01200 | ADJUSTING WASHER 32x25.4 T=2.80      | 2   | T=2.80   |
| 12       | Q830-311003-01100 | ADJUSTING WASHER 32x25.4 T=2.70      | 2   | T=2.70   |
| 12       | Q830-311003-01000 | ADJUSTING WASHER 32x25.4 T=2.60      | 2   | T=2.60   |
| 12       | Q830-311003-00900 | ADJUSTING WASHER 32x25.4 T=2.50      | 2   | T=2.50   |
| 12       | Q830-311003-00800 | ADJUSTING WASHER 32x25.4 T=2.48      | 2   | T=2.48   |
| 12       | Q830-311003-00700 | ADJUSTING WASHER 32x25.4 T=2.46      | 2   | T=2.46   |
| 12       | Q830-311003-00600 | ADJUSTING WASHER 32x25.4 T=2.44      | 2   | T=2.44   |
| 12       | Q830-311003-00500 | ADJUSTING WASHER 32x25.4 T=2.42      | 2   | T=2.42   |
| 12       | Q830-311003-00400 | ADJUSTING WASHER 32x25.4 T=2.40      | 2   | T=2.40   |
| 12       | Q830-311003-00300 | ADJUSTING WASHER 32x25.4 T=2.30      | 2   | T=2.30   |
| 12       | Q830-311003-00200 | ADJUSTING WASHER 32x25.4 T=2.20      | 2   | T=2.20   |
| 12       | Q830-311003-00100 | ADJUSTING WASHER 32x25.4 T=2.10      | 2   | T=2.10   |
| 13       | 30105-040008410   | SCREW M4x8                           | 2   | M4x8   |
| 14       | 30409-03000       | BEARING                              | 1   | 32006(30x55x17)  |
| 15       | Q830-3100B0       | BEVEL GEAR ASSY, FRONT GEAR CASE     | 1   |  |
| 16       | 30400-05500       | BEARING                              | 1   | 61911(55x80x13)  |
| 17       | Q830-310015-00600 | ADJUSTING WASHER 79.5x68 T=1.00      | 1   | T=1.00   |
| 17       | Q830-310015-00500 | ADJUSTING WASHER 79.5x68 T=0.50      | 1   | T=0.50   |
| 17       | Q830-310015-00400 | ADJUSTING WASHER 79.5x68 T=0.40      | 1   | T=0.40   |
| 17       | Q830-310015-00300 | ADJUSTING WASHER 79.5x68 T=0.30      | 1   | T=0.30   |
| 17       | Q830-310015-00200 | ADJUSTING WASHER 79.5x68 T=0.20      | 1   | T=0.20   |
| 17       | Q830-310015-00100 | ADJUSTING WASHER 79.5x68 T=0.10      | 1   | T=0.10   |
| 18       | Q830-310014       | DRIVE CLUTCH COVER                   | 1   |  |
| 19       | Q830-310013       | SPLINE BUSHING                       | 1   |  |
| 20       | 30800-05505       | CIRCLIP FOR HOLE 55                  | 1   | 55   |
| 21       | 30400-03001       | BEARING 30x55x13                     | 2   | 6006   |
| 22       | 30130-080010810   | SCREW M8x10                          | 1   | M8x10  |
| 23       | Q830-310003       | PIN SHAFT                            | 1   |  |
| 24       | 0180-332100       | OIL DRAIN BOLT M14x1.25x12, MAGNETIC | 1   | M14x1.25x12  |
| 25       | 0180-011006       | GASKET 14                            | 2   | 14   |
| 26       | Q830-310007-20000 | FRONT GEAR CASE                      | 1   |  |
| 27       | 0180-021008-0010  | BOLT M14x1.25x12                     | 1   | M14x1.25x12  |
| 28       | 0180-311001       | OIL SEAL 24x38x8                     | 2   | 24x38x8  |
| 29       | Q830-310005-10001 | FORK                                 | 1   |  |
| 30       | Q890-310010       | BLOCK ASSY.                          | 1   |  |
| 31       | Q830-310012-10000 | O-RING 67.5x2                        | 1   |  |
| 32       | Q890-314000-10000 | FRONT GEAR CASE MOTOR ASSY           | 1   |  |
| 33       | 0010-023008-0010  | BOLT M6x18                           | 2   | M6x18  |
| 34       | 0180-313002-10000 | CENTER GEAR SHAFT, DIFFERENTIAL      | 1   |  |
| 35       | Q830-313003-10000 | FRONT DIFFERENTIAL CASE              | 1   |  |
| 36       | 30906-0503000     | PIN                                  | 3   | 5x30   |
| 37       | Q830-313004       | GEAR, CV SHAFT                       | 1   |  |
| 38       | 0181-313011       | WEARING RING                         | 4   |  |
| 39       | 0180-313003-00004 | CENTRAL GEAR, DIFFERENTIAL           | 4   | SURFACE PEENING TREATMENT, THE INNER HOLE TOLERANCE INCREASING |
| 40       | 0180-313006-00001 | DRIVEN GEAR, DIFFERENTIAL            | 1   |  |
| 41       | 30913-0300550     | PIN SHAFT                            | 1   |  |
| 42       | Q830-310022       | OIL GUARD                            | 1   |  |
| 43       | Q800-313005-00100 | GEAR WASHER                          | 1   | t=1.00   |
| 43       | Q800-313005-00200 | GEAR WASHER                          | 1   | t=1.20   |
| 44       | Q830-313001-10000 | COUPLER                              | 1   |  |
| 45       | 9010-290001       | BOLT M8x1x22                         | 8   | M8x1x22  |
| 46       | Q830-310009-00600 | ADJUSTING WASHER 54.5x43 T=1.00      | 1   | T=1.00   |
| 46       | Q830-310009-00500 | ADJUSTING WASHER 54.5x43 T=0.50      | 1   | T=0.50   |
| 46       | Q830-310009-00400 | ADJUSTING WASHER 54.5x43 T=0.40      | 1   | T=0.40   |
| 46       | Q830-310009-00300 | ADJUSTING WASHER 54.5x43 T=0.30      | 1   | T=0.30   |
| 46       | Q830-310009-00200 | ADJUSTING WASHER 54.5x43 T=0.20      | 1   | T=0.20   |
| 46       | Q830-310009-00100 | ADJUSTING WASHER 54.5x43 T=0.10      | 1   | T=0.10   |
| 47       | Q830-310011       | O-SEAL RING 130x2                    | 1   |  |
| 48       | Q830-310008-10000 | FRONT GEAR CASE COVER                | 1   |  |
| 49       | 0180-311004-0020  | JOINT, BREATHER HOSE                 | 1   |  |
| 50       | Q820-333008       | CROSS BUSHING                        | 1   |  |
| 51       | Q800-313001       | PLANET GEAR SHAFT, SHORT             | 2   |  |

换挡机构/ GEAR SHIFTING



F32 GEAR SHIFTING

| Item No. | Parts Number      | Parts Name(EN)             | Qty | Specification        |
|----------|-------------------|----------------------------|-----|----------------------|
| 01       | 9DSV-321110-6K00  | GEARSHIFT BALL HEAD        | 1   |                      |
| 02       | 9CR6-321301       | LOCK NUT, GEARSHIFT        | 1   | M8                   |
| 03       | 9DSV-321100-6K00  | GEARSHIFT LEVER            | 1   |                      |
| 04       | 30200-060810      | NUT M6                     | 1   | M6                   |
| 05       | 9CR6-321004       | ROD, GEARSHIFT             | 1   |                      |
| 06       | 30200-06081L      | NUT M6                     | 1   | M6, LEFT-HAND THREAD |
| 07       | 9010-320200-2000  | ROCKER, GEARSHIFT          | 1   |                      |
| 08       | 0010-080013-0010  | BOLT M6x22                 | 1   | M6x22                |
| 09       | 9DS#-321200-6000  | SHIFT BASE PLATE ASSY      | 1   |                      |
| 10       | 9CR6-321003       | BUSHING, ARM               | 2   |                      |
| 11       | 9CR6-321001-00001 | PIN SHAFT, GEARSHIFT LEVER | 1   |                      |
| 12       | 9010-320009       | NYLON BUSHING              | 2   |                      |
| 13       | 9AWA-321200       | SWING ARM, GEAR SHIFT      | 1   |                      |
| 14       | 9CR6-321002       | SPRING, GEARSHIFT LEVER    | 1   |                      |
| 15       | 30802-00605       | CIRCLIP 6                  | 1   | 6                    |
| 16       | 30802-00805       | SPLIT WASHER               | 1   | 8                    |
| 17       | 8010-000004       | BOLT M6x14                 | 3   | M6x14                |
| 18       | 9DSV-042024-6002  | GEARSHIFT GEAR             | 1   |                      |
| 19       | 30006-080016810   | BOLT M8x16                 | 3   | M8x16                |
| 20       | 9DSV-321000-6K00  | GEARSHIFT ASSY             | 1   |                      |
| 21       | 8030-040800-00001 | NUT CLIP M6                | 2   | M6                   |
| 22       | 8080-000002       | CLIP NUT ST4.8             | 1   | ST4.8                |
| 23       | A000-040302       | RUBBER DAMPER              | 1   |                      |
| 24       | 30107-060012410   | SCREW M6x12                | 2   | M6x12                |

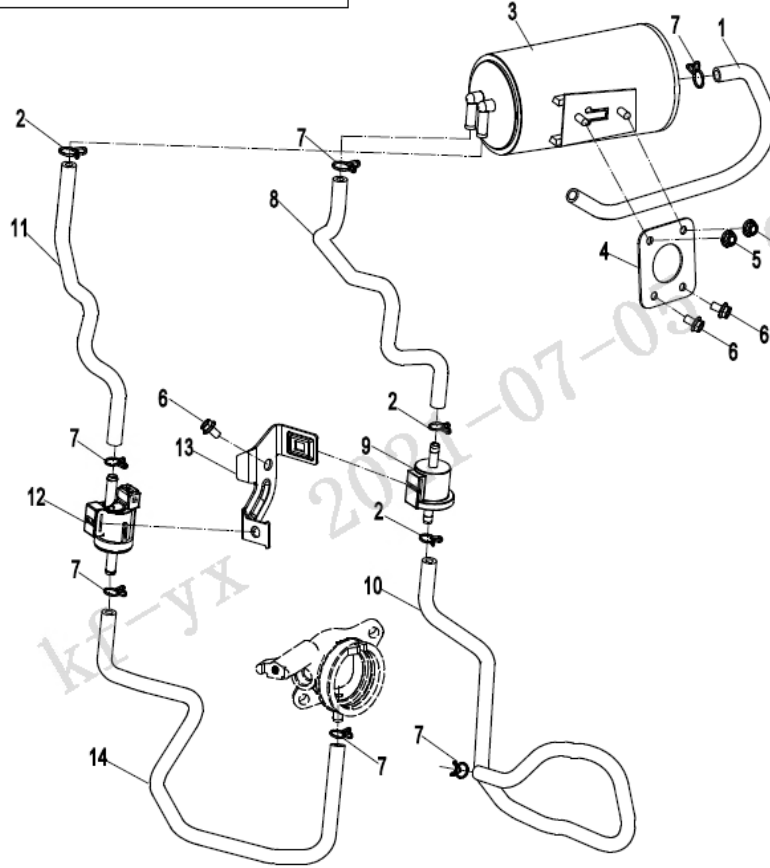


### F33-A REAR AXLE(NA)

| Item No. | Parts Number      | Parts Name(EN)                       | Qty | Specification   |
|----------|-------------------|--------------------------------------|-----|-----------------|
| 01       | Q820-330000-10000 | REAR GEAR CASE ASSY                  | 1   |                 |
| 02       | 0GR0-062203       | BOLT M10x1.25x20                     | 1   | M10x1.25x20     |
| 03       | 0GR0-062204       | WASHER 10x27.5x4                     | 1   | 10x27.5x4       |
| 04       | Q850-331002       | COUPLER                              | 1   |                 |
| 05       | 0800-062205       | O-SEAL RING 25x2                     | 1   | 25x2            |
| 06       | 0800-062204       | OIL SEAL 35x50x7                     | 1   | 35x50x7         |
| 07       | 30409-02500       | BEARING                              | 1   | 33005(25x47x17) |
| 08       | 0110-060011-0010  | BOLT M8x28                           | 12  | M8x28           |
| 09       | Q830-311002-00001 | BEARING SEAT                         | 1   |                 |
| 10       | Q830-310006-10000 | O-RING 55x2.5                        | 1   | 55x2.5          |
| 11       | Q830-310023-00100 | ADJUSTING WASHER T=0.20              | 1   | T=0.20          |
| 11       | Q830-310023-00200 | ADJUSTING WASHER T=0.30              | 1   | T=0.30          |
| 12       | Q830-311003-00400 | ADJUSTING WASHER 32x25.4 T=2.40      | 2   | T=2.40          |
| 12       | Q830-311003-00500 | ADJUSTING WASHER 32x25.4 T=2.42      | 2   | T=2.42          |
| 12       | Q830-311003-00600 | ADJUSTING WASHER 32x25.4 T=2.44      | 2   | T=2.44          |
| 12       | Q830-311003-00700 | ADJUSTING WASHER 32x25.4 T=2.46      | 2   | T=2.46          |
| 12       | Q830-311003-00800 | ADJUSTING WASHER 32x25.4 T=2.48      | 2   | T=2.48          |
| 12       | Q830-311003-00900 | ADJUSTING WASHER 32x25.4 T=2.50      | 2   | T=2.50          |
| 12       | Q830-311003-01000 | ADJUSTING WASHER 32x25.4 T=2.60      | 2   | T=2.60          |
| 12       | Q830-311003-01100 | ADJUSTING WASHER 32x25.4 T=2.70      | 2   | T=2.70          |
| 12       | Q830-311003-01200 | ADJUSTING WASHER 32x25.4 T=2.80      | 2   | T=2.80          |
| 12       | Q830-311003-01300 | ADJUSTING WASHER 32x25.4 T=2.90      | 2   | T=2.90          |
| 12       | Q830-311003-01400 | ADJUSTING WASHER 32x25.4 T=3.00      | 2   | T=3.00          |
| 12       | Q830-311003-00100 | ADJUSTING WASHER 32x25.4 T=2.10      | 2   | T=2.10          |
| 12       | Q830-311003-00200 | ADJUSTING WASHER 32x25.4 T=2.20      | 2   | T=2.20          |
| 12       | Q830-311003-00300 | ADJUSTING WASHER 32x25.4 T=2.30      | 2   | T=2.30          |
| 13       | 9CRB-082001       | CLIP, RH REAR PARKING CABLE          | 1   |                 |
| 14       | 30409-03000       | BEARING                              | 1   | 32006(30x55x17) |
| 15       | Q820-3300B0       | BEVEL GEAR ASSY, REAR GEAR CASE      | 1   |                 |
| 16       | 0181-313100-0010  | BOLT M10x1.25x22                     | 8   | M10x1.25x22     |
| 17       | Q820-330003-00100 | ADJUSTING WASHER 61x50.5 T=0.10      | 2   | T=0.10          |
| 17       | Q820-330003-00200 | ADJUSTING WASHER 61x50.5 T=0.30      | 2   | T=0.30          |
| 17       | Q820-330003-00300 | ADJUSTING WASHER 61x50.5 T=0.50      | 2   | T=0.50          |
| 17       | Q820-330003-00400 | ADJUSTING WASHER 61x50.5 T=0.90      | 2   | T=0.90          |
| 17       | Q820-330003-00500 | ADJUSTING WASHER 61x50.5 T=0.92      | 2   | T=0.92          |
| 17       | Q820-330003-00600 | ADJUSTING WASHER 61x50.5 T=0.94      | 2   | T=0.94          |
| 17       | Q820-330003-00700 | ADJUSTING WASHER 61x50.5 T=0.96      | 2   | T=0.96          |
| 17       | Q820-330003-00800 | ADJUSTING WASHER 61x50.5 T=0.98      | 2   | T=0.98          |
| 17       | Q820-330003-00900 | ADJUSTING WASHER 61x50.5 T=1.00      | 2   | T=1.00          |
| 18       | 30409-05000       | BEARING                              | 2   |                 |
| 19       | 0180-310005       | O-SEAL RING 141x2.4                  | 1   | 141x2.4         |
| 20       | Q820-330002       | REAR GEAR CASE COVER                 | 1   |                 |
| 21       | 0180-311001       | OIL SEAL 24x38x8                     | 1   | 24x38x8         |
| 22       | 0180-021008-0010  | BOLT M14x1.25x12                     | 1   | M14x1.25x12     |
| 23       | 0180-011006       | GASKET 14                            | 2   | 14              |
| 24       | 0180-311004-0020  | JOINT, BREATHER HOSE                 | 1   |                 |
| 25       | Q820-330007-10000 | OIL BAFFLE                           | 1   |                 |
| 26       | 30105-040008410   | SCREW M4x8                           | 2   | M4x8            |
| 27       | 30306-080112      | WASHER                               | 1   | 8               |
| 28       | Q820-330008       | MOUNTING SEAT                        | 1   |                 |
| 29       | 30800-06200       | CIRCLIP FOR HOLE 62                  | 1   | 62              |
| 30       | 30400-03501       | BEARING                              | 1   | 16007           |
| 31       | Q820-330001-00001 | REAR GEAR CASE                       | 1   |                 |
| 32       | 0180-332100       | OIL DRAIN BOLT M14x1.25x12, MAGNETIC | 1   | M14x1.25x12     |
| 33       | 0120-061000       | OIL SEAL 35x58x5                     | 1   | 35x58x5         |
| 34       | Q830-310012-10000 | O-RING 67.5x2                        | 1   |                 |
| 35       | 018A-180001       | SLEEVE                               | 2   |                 |
| 36       | Q820-330009       | PLUG, MOTOR                          | 1   |                 |
| 37       | 0010-023008-0010  | BOLT M6x18                           | 2   | M6x18           |



燃油蒸发系统/ FUEL VAPORIZATION SYSTEM



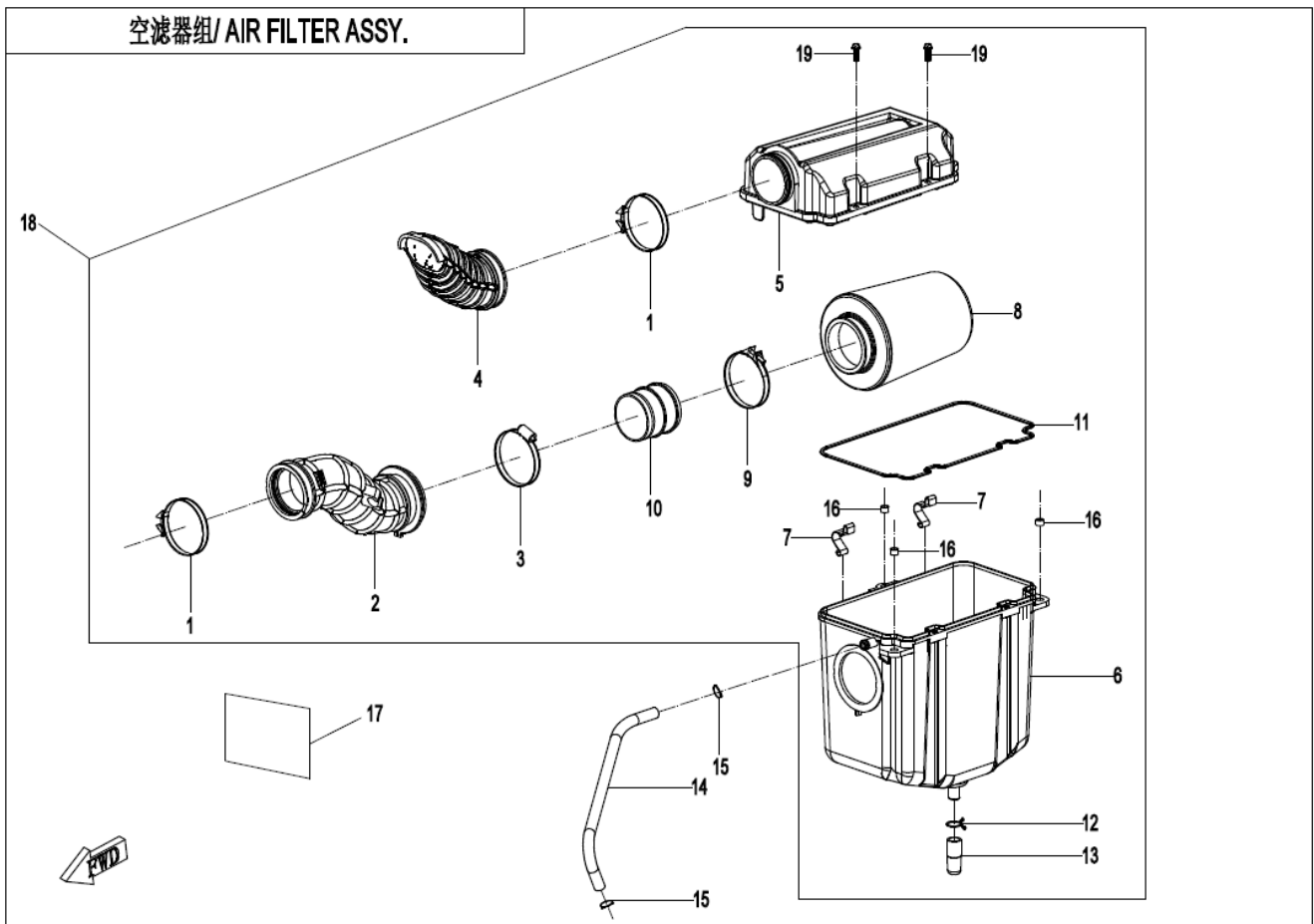
F36 FUEL VAPORIZATION SYSTEM

| Item No. | Parts Number     | Parts Name(EN)               | Qty | Specification |
|----------|------------------|------------------------------|-----|---------------|
| 01       | A000-360006      | AIR PIPE, CANISTER           | 1   |               |
| 02       | 30601-111010     | CLAMP A11                    | 3   | A11           |
| 03       | 9AWA-360200      | CANISTER                     | 1   |               |
| 04       | 9AWA-030008      | CANISTER BRACKET             | 1   |               |
| 05       | 30202-060110     | NUT M6                       | 2   | M6            |
| 06       | 30006-060012810  | BOLT M6x12                   | 3   | M6x12         |
| 07       | 30601-112010     | CLAMP A12                    | 6   | A12           |
| 08       | 9DS#-360001-6000 | FUEL VAPOR ADSORPTION HOSE I | 1   |               |
| 09       | 9GQ0-360100      | TWO-WAY VALVE                | 1   |               |
| 10       | 9DSV-360002-6K00 | FUEL VAPOR ADSORPTION HOSE 2 | 1   |               |
| 11       | 9DSV-360003-6K00 | FUEL VAPOR DESORPTION HOSE 1 | 1   |               |
| 12       | 1F30-172000      | CANISTER MAGNETIC VALVE      | 1   |               |
| 13       | 9DS#-030061-6000 | BRACKET, MAGNETIC VALVE      | 1   |               |
| 14       | 9DSV-360004-6K00 | FUEL VAPOR DESORPTION HOSE 2 | 1   |               |



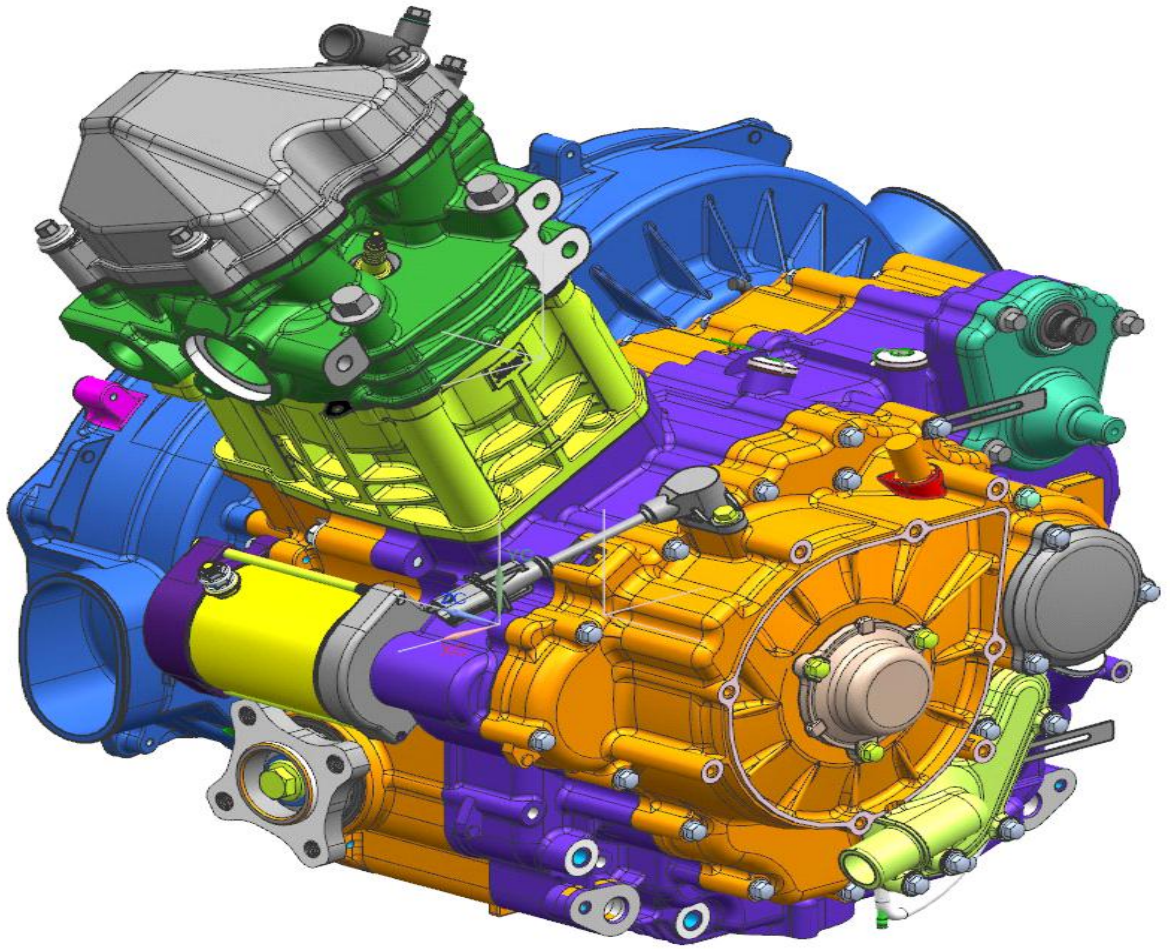
### F38 OWNER'S MANUAL(NA)

| Item No. | Parts Number        | Parts Name(EN) | Qty | Specification |
|----------|---------------------|----------------|-----|---------------|
| 01       | 9DSV-380101-6R00-13 | OWNERS MANUAL  | 1   |               |



### F41 AIR FILTER ASSY.

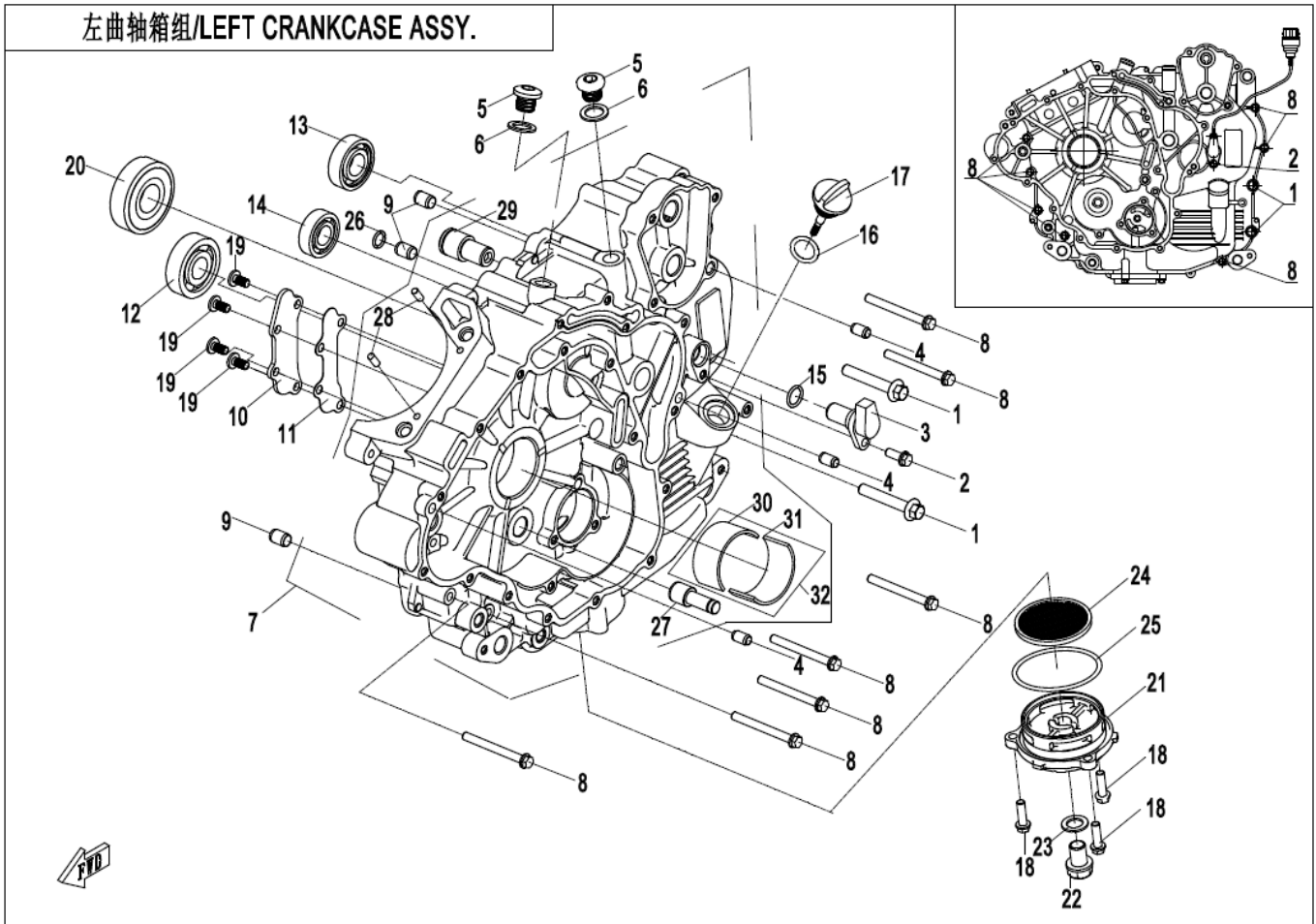
| Item No. | Parts Number      | Parts Name(EN)              | Qty | Specification                         |
|----------|-------------------|-----------------------------|-----|---------------------------------------|
| 01       | 01A0-110003       | CLAMP 67                    | 2   |                                       |
| 02       | 0GS0-110001-10000 | AIR OUTLET PIPE             | 1   |                                       |
| 03       | 0GR0-110008       | CLAMP                       | 1   |                                       |
| 04       | 0GR0-110003       | PIPE, AIR INTAKE            | 1   |                                       |
| 05       | 0GS0-110002       | UPPER HOUSING, AIR FILTER   | 1   |                                       |
| 06       | 0GR0-110001-20020 | LOWER HOUSING, AIR FILTER   | 1   | HENGBO                                |
| 07       | 0180-110003       | CLASP                       | 2   |                                       |
| 08       | 0800-112000-20010 | FILTER ELEMENT              | 1   | WITH BLACK SPONGE,MANUFACTURER:HENGBO |
| 09       | 0120-110001       | CLAMP 64                    | 1   | 64                                    |
| 10       | 0GR0-110004       | CONNECT PIPE, FILER ELEMENT | 1   |                                       |
| 11       | 0GR0-110006       | SEAL RING, AIR FILTER       | 1   |                                       |
| 12       | 30601-117010      | CLAMP A17                   | 1   | A17                                   |
| 13       | 0180-110005       | OIL STORAGE HOSE            | 1   |                                       |
| 14       | 0GR0-110007-30000 | BREATHER HOSE, CRANKCASE    | 1   |                                       |
| 15       | 30601-114010      | CLAMP A14                   | 2   | A14                                   |
| 16       | 0GR0-110009       | BUSHING                     | 3   |                                       |
| 17       | 9CR6-042027       | HEAT INSULATOR, AIR FILTER  | 1   |                                       |
| 18       | 0GS0-111000-10001 | AIR FILTER SUB ASSY         | 1   |                                       |
| 19       | 0010-030002-0020  | BOLT M5x16                  | 2   | M5x16                                 |



## E00 191S ENGINE

| Item No. | Parts Number     | Parts Name(EN)  | Qty | Specification         |
|----------|------------------|-----------------|-----|-----------------------|
| 01       | 0GS0-ELB000-0840 | 191S LONG BLOCK | 1   | ORDINARY@600W MAGNETO |

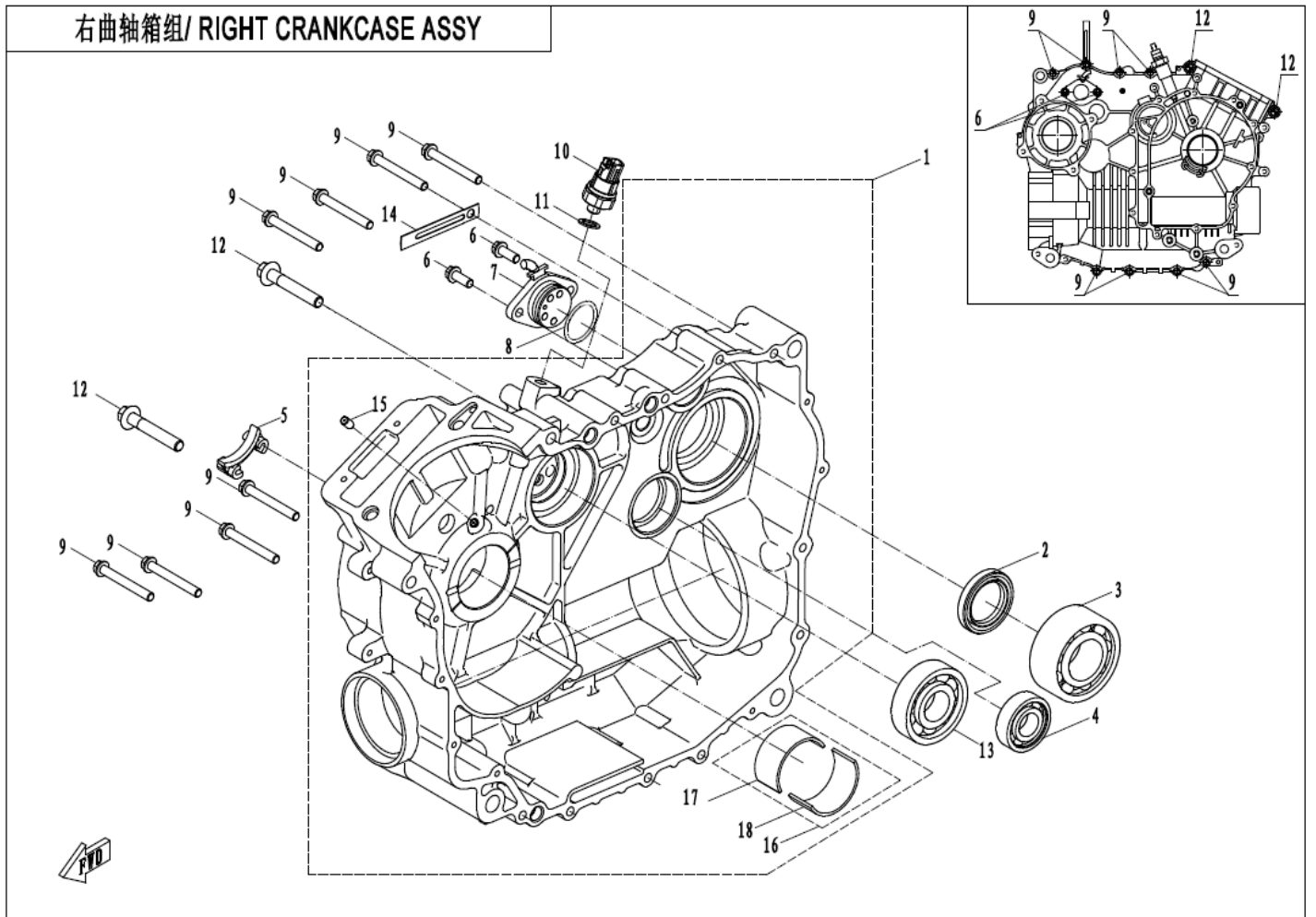
左曲轴箱组/LEFT CRANKCASE ASSY.



E01-1 LEFT CRANKCASE ASSY

| Item No. | Parts Number      | Parts Name(EN)                   | Qty | Specification |
|----------|-------------------|----------------------------------|-----|---------------|
| 01       | 0040-012006-0010  | BOLT M8x50                       | 2   | M8X50         |
| 02       | 0010-090005-0010  | BOLT M6x16                       | 1   | M6x16         |
| 03       | 0GR0-011020       | SPEED SENSOR                     | 1   |               |
| 04       | 0010-080008       | DOWEL PIN Dia 8x14               | 3   | Dia 8x14      |
| 05       | 0GR0-011003       | BOLT M14x1.5x12                  | 2   | M14x1.5x12    |
| 06       | 0180-011006       | GASKET 14                        | 2   | 14            |
| 07       | 0GR0-011100-00001 | LH CRANKCASE ASSY                | 1   |               |
| 08       | 0010-011017-0010  | BOLT M6x60                       | 7   | M6x60         |
| 09       | 0010-021005       | DOWEL PIN Dia 10x14              | 3   | Dia 10x14     |
| 10       | 0GR0-011002       | OIL RAIL COVER PLATE             | 1   |               |
| 11       | 0GR0-011004       | PAPER WASHER, OIL RAIL           | 1   |               |
| 12       | 30499-01700       | BEARING                          | 1   | 17            |
| 13       | 30400-01704       | BEARING                          | 1   | 17            |
| 14       | 30499-01500       | BEARING                          | 1   | 6202          |
| 15       | 01A0-013005       | O-SEAL RING 13x2                 | 1   | 13x2          |
| 16       | 0110-013030       | O-SEAL RING 18x3.55              | 1   | 18x3.55       |
| 17       | 0GR0-011005       | DIPSTICK, ENGINE OIL             | 1   |               |
| 18       | 0010-023010-0010  | BOLT M6x20                       | 3   | M6x20         |
| 19       | 30105-060012410   | SCREW M6x12                      | 4   | M6x12         |
| 20       | 30400-02201       | BEARING                          | 1   |               |
| 21       | 0GR0-011001       | PLATE, OIL STRAINER              | 1   |               |
| 22       | 0110-013005-00001 | DRAIN SCREW PLUG M12x1.5x15      | 1   |               |
| 23       | 0010-021014       | WASHER 12                        | 1   | 12            |
| 24       | 0GR0-011010       | OIL STRAINER                     | 1   |               |
| 25       | 0800-014003       | O-SEAL RING 63x2.5               | 1   | 63x2.5        |
| 26       | 30502-010000N     | O-RING                           | 1   | 10x1.8        |
| 27       | 0GR0-011102       | DUAL GEAR SHAFT, OIL PUMP        | 1   |               |
| 28       | 30406-00500       | ROLLER NEEDLE P5x11.8            | 2   | P5x11.8       |
| 29       | 0GR0-011103       | INTERMEDIATE GEAR SHAFT, REVERSE | 1   |               |
| 30       | 0800-011102-00011 | PLAIN BEARING 1                  | 1   | RED@THIN      |
| 30       | 0800-011102-00021 | PLAIN BEARING 1                  | 1   | BLUE@THICK    |
| 31       | 0800-011103-00011 | PLAIN BEARING 2                  | 1   | RED@THIN      |
| 31       | 0800-011103-00021 | PLAIN BEARING 2                  | 1   | BLUE@THICK    |
| 32       | 0800-0111A0-00001 | PLAIN BEARING KIT, MAIN SHAFT    | 1   | RED           |
| 32       | 0800-0111B0-00001 | PLAIN BEARING KIT, MAIN SHAFT    | 1   | BLUE          |

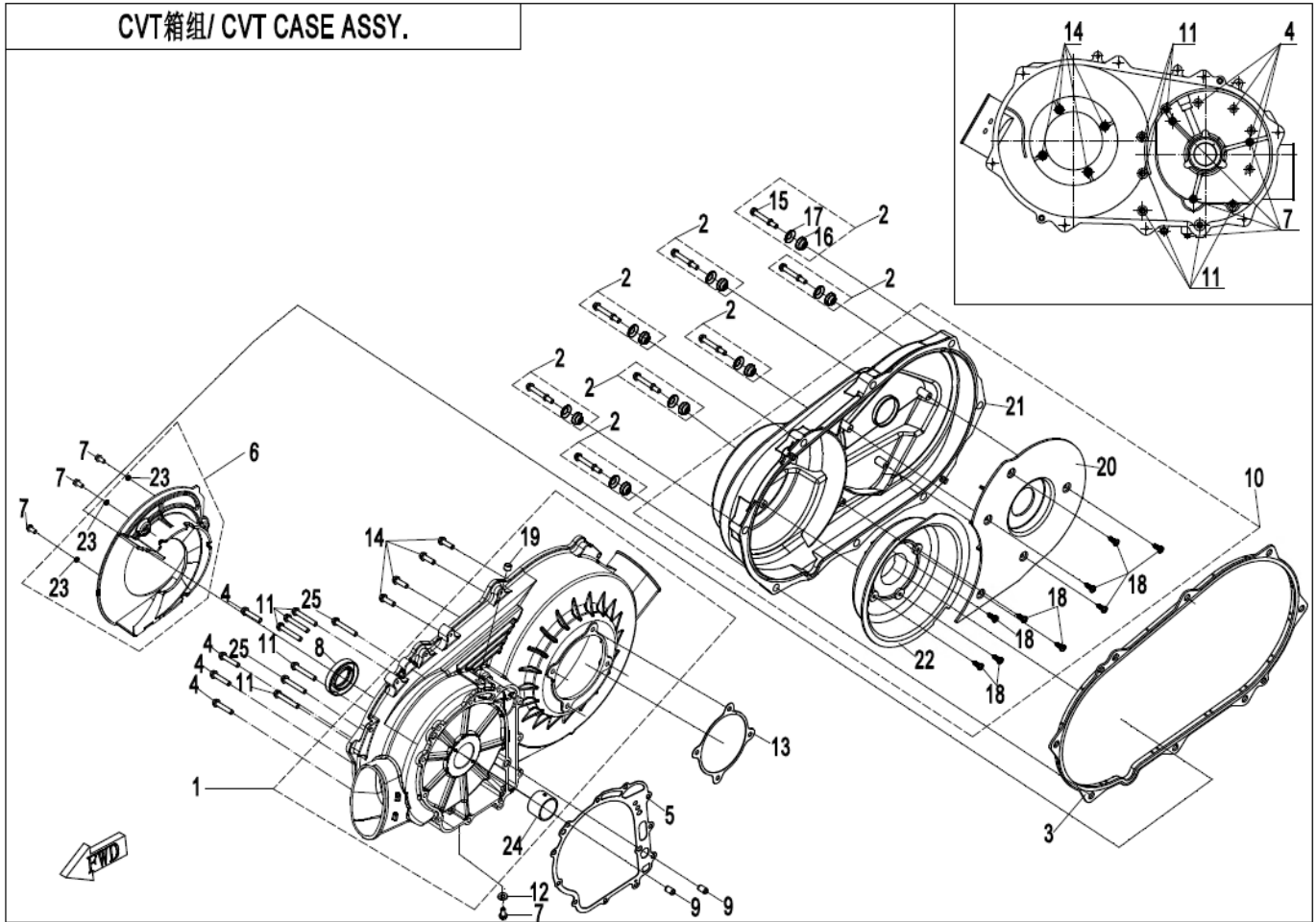
右曲轴箱组/ RIGHT CRANKCASE ASSY



E01-2-V2 RIGHT CRANKCASE ASSY

| Item No. | Parts Number      | Parts Name(EN)                | Qty | Specification |
|----------|-------------------|-------------------------------|-----|---------------|
| 01       | 0GR0-012100-10001 | RH CRANKCASE ASSY             | 1   |               |
| 02       | 0180-012006-00001 | OIL SEAL 30X45X8              | 1   |               |
| 03       | 30499-03000       | BEARING                       | 1   | 5206          |
| 04       | 30400-01704       | BEARING                       | 1   | 17            |
| 05       | 0800-011007       | CHAIN GUARD                   | 1   |               |
| 06       | 0010-090005-0010  | BOLT M6x16                    | 2   | M6x16         |
| 07       | 0800-012200       | GEAR SENSOR ASSY              | 1   | ORDINARY      |
| 08       | 0180-023002       | O-SEAL RING 24x2.5            | 1   | 24x2.5        |
| 09       | 0010-013010-0010  | BOLT M6x50                    | 8   | M6x50         |
| 10       | 0800-012400       | OIL PRESSURE SWITCH           | 1   |               |
| 11       | 0010-060010       | WASHER 10                     | 1   | 10            |
| 12       | 0040-012006-0010  | BOLT M8x50                    | 2   | M8X50         |
| 13       | 30400-02201       | BEARING                       | 1   |               |
| 14       | 0180-014010       | WIRE CLAMP                    | 1   |               |
| 15       | 01A0-011003       | NOZZLE                        | 1   |               |
| 16       | 0800-0111A0-00001 | PLAIN BEARING KIT, MAIN SHAFT | 1   | RED           |
| 16       | 0800-0111B0-00001 | PLAIN BEARING KIT, MAIN SHAFT | 1   | BLUE          |
| 17       | 0800-011102-00011 | PLAIN BEARING 1               | 1   | RED@THIN      |
| 17       | 0800-011102-00021 | PLAIN BEARING 1               | 2   | BLUE@THICK    |
| 18       | 0800-011103-00011 | PLAIN BEARING 2               | 1   | RED@THIN      |
| 18       | 0800-011103-00021 | PLAIN BEARING 2               | 2   | BLUE@THICK    |

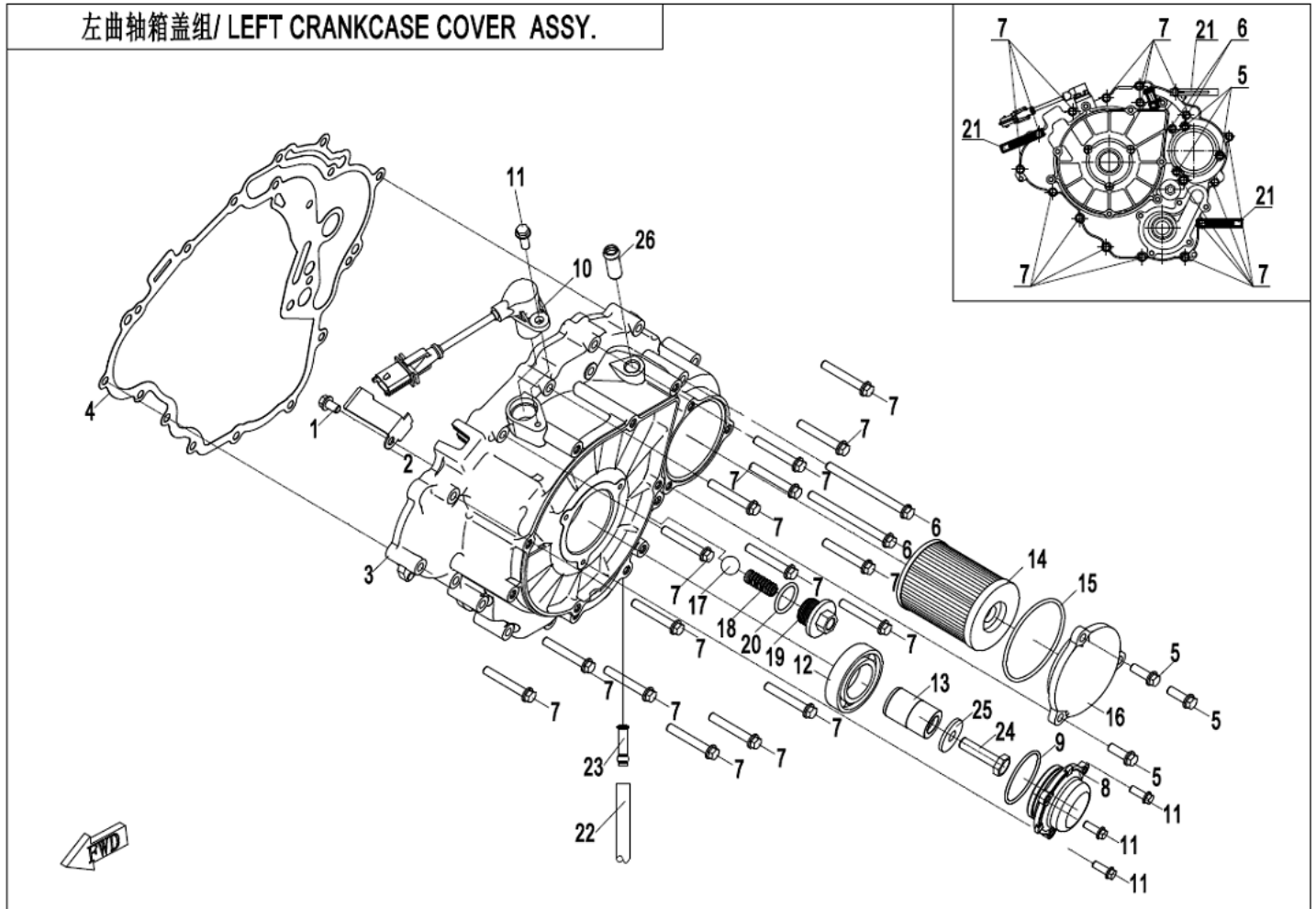
CVT箱组/ CVT CASE ASSY.



E01-3 CVT CASE ASSY.

| Item No. | Parts Number      | Parts Name(EN)                 | Qty | Specification |
|----------|-------------------|--------------------------------|-----|---------------|
| 01       | OGS0-013100-10010 | CVT CASE ASSY                  | 1   | MARK A        |
| 01       | OGS0-013100-10020 | CVT CASE ASSY                  | 1   |               |
| 02       | 0800-021100-10000 | BOLT ASSY. CYLINDER HEAD COVER | 8   |               |
| 03       | 0GR0-013003       | SEAL RING, CVT COVER           | 1   |               |
| 04       | 0010-022020-00001 | BOLT M6x22                     | 4   | M6x22         |
| 05       | 0GR0-013001-20000 | STEEL GASKET, CVT CASE         | 1   |               |
| 06       | OGS0-013010       | AIR DEFLECTOR                  | 1   |               |
| 07       | 0010-021019-0010  | BOLT M6x12                     | 4   | M6x12         |
| 08       | OJY0-013103       | OIL SEAL 32X55X10              | 1   | 32X55X10      |
| 09       | 0010-080008       | DOWEL PIN Dia 8x14             | 2   | Dia 8x14      |
| 10       | 0GR0-013300-20000 | COVER, CVT CASE                | 1   |               |
| 11       | 0010-013009-0010  | BOLT M6x40                     | 5   | M6x40         |
| 12       | 0010-060009       | WASHER 6                       | 1   | 6             |
| 13       | 0800-012002       | GASKET(2), CVT CASE            | 1   |               |
| 14       | 0010-023010-0010  | BOLT M6x20                     | 4   | M6x20         |
| 15       | 0800-021101-10001 | BOLT, CYLINDER HEAD COVER      | 8   |               |
| 16       | 0800-021102-10000 | RUBBER WASHER                  | 8   |               |
| 17       | 0800-021103       | CAP, RUBBER WASHER             | 8   |               |
| 18       | 30110-480160010   | SELF-TAPPING SCREW ST4.8x16    | 9   | ST4.8x16      |
| 19       | 01A0-012010-00001 | SCREW                          | 1   |               |
| 20       | 0GR0-013302       | REAR HEAT INSULATION COVER     | 1   |               |
| 21       | 0GR0-013002-20000 | COVER, CVT CASE                | 1   |               |
| 22       | 0GR0-013301-20000 | FRONT HEAT INSULATION GUARD    | 1   |               |
| 23       | 0GR0-013012       | BUSHING                        | 3   |               |
| 24       | OJY0-013102-00011 | PLAIN BEARING, CVT             | 2   | RED           |
| 24       | OJY0-013102-00021 | PLAIN BEARING, CVT             | 2   | BLUE          |
| 25       | 0010-080012-0010  | BOLT M6x32                     | 2   | M6x32         |

左曲轴箱盖组/ LEFT CRANKCASE COVER ASSY.

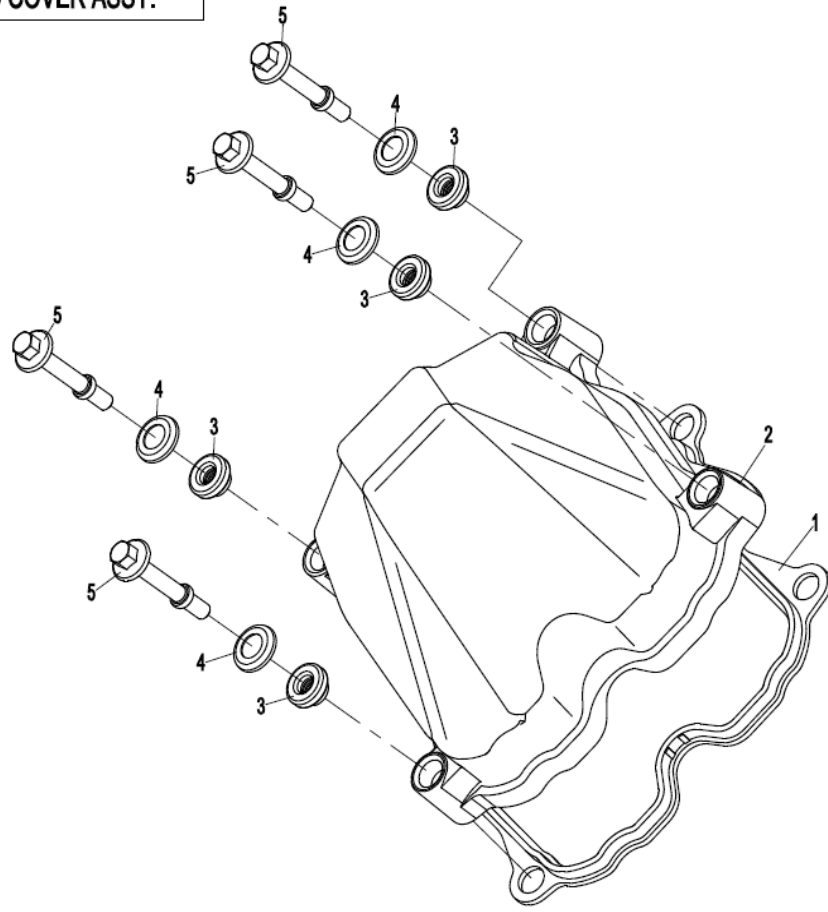


E01-4 LEFT CRANKCASE COVER ASSY.

| Item No. | Parts Number      | Parts Name(EN)                   | Qty | Specification |
|----------|-------------------|----------------------------------|-----|---------------|
| 01       | 0010-080010-0010  | BOLT M6x10                       | 1   | M6x10         |
| 02       | 0GR0-014005       | PLATE                            | 1   |               |
| 03       | 0GR0-014001-10000 | CRANKCASE COVER, LH              | 1   |               |
| 04       | 0GR0-014002-10000 | STEEL GASKET, LH CRANKCASE COVER | 1   |               |
| 05       | 0010-023008-0010  | BOLT M6x18                       | 3   | M6x18         |
| 06       | 0A70-011005-00001 | BOLT M6x75                       | 2   |               |
| 07       | 0010-013009-0010  | BOLT M6x40                       | 16  | M6x40         |
| 08       | 0GRA-014001       | PLUG                             | 1   | SUZUKI RED    |
| 09       | 0GRA-014003       | O-SEAL RING 48x2.5               | 1   |               |
| 10       | 0800-014100       | RPM SENSOR                       | 1   | ORDINARY      |
| 11       | 0010-090005-0010  | BOLT M6x16                       | 4   | M6x16         |
| 12       | 30400-02800       | BEARING                          | 1   |               |
| 13       | 0GRA-014002       | SHAFT SLEEVE                     | 1   |               |
| 14       | 0800-011300-0004  | OIL FILTER ELEMENT               | 1   |               |
| 15       | 0800-014003       | O-SEAL RING 63x2.5               | 1   | 63x2.5        |
| 16       | 0800-014002-00001 | FILTER COVER                     | 1   |               |
| 17       | 3120015           | STEEL BALL                       | 1   |               |
| 18       | 0700-012603-1000  | SPRING, RELIEF VALVE             | 1   |               |
| 19       | 0GR0-014003       | SCREW PLUG, RELIEF VALVE         | 1   |               |
| 20       | 0180-332004       | O-SEAL RING 19x2.5               | 1   | 19x2.5        |
| 21       | 0180-014010       | WIRE CLAMP                       | 3   |               |
| 22       | 0800-014013       | OVERFLOW HOSE                    | 1   |               |
| 23       | 01A0-022102       | PIPE JOINT                       | 1   |               |
| 24       | 0180-092001-00001 | BOLT M10x40                      | 1   |               |
| 25       | 018A-180004       | GASKET 10.2x28x3                 | 1   | 10.2x28x3     |
| 26       | 0010-013006-0010  | JOINT, BREATHER HOSE             | 1   |               |



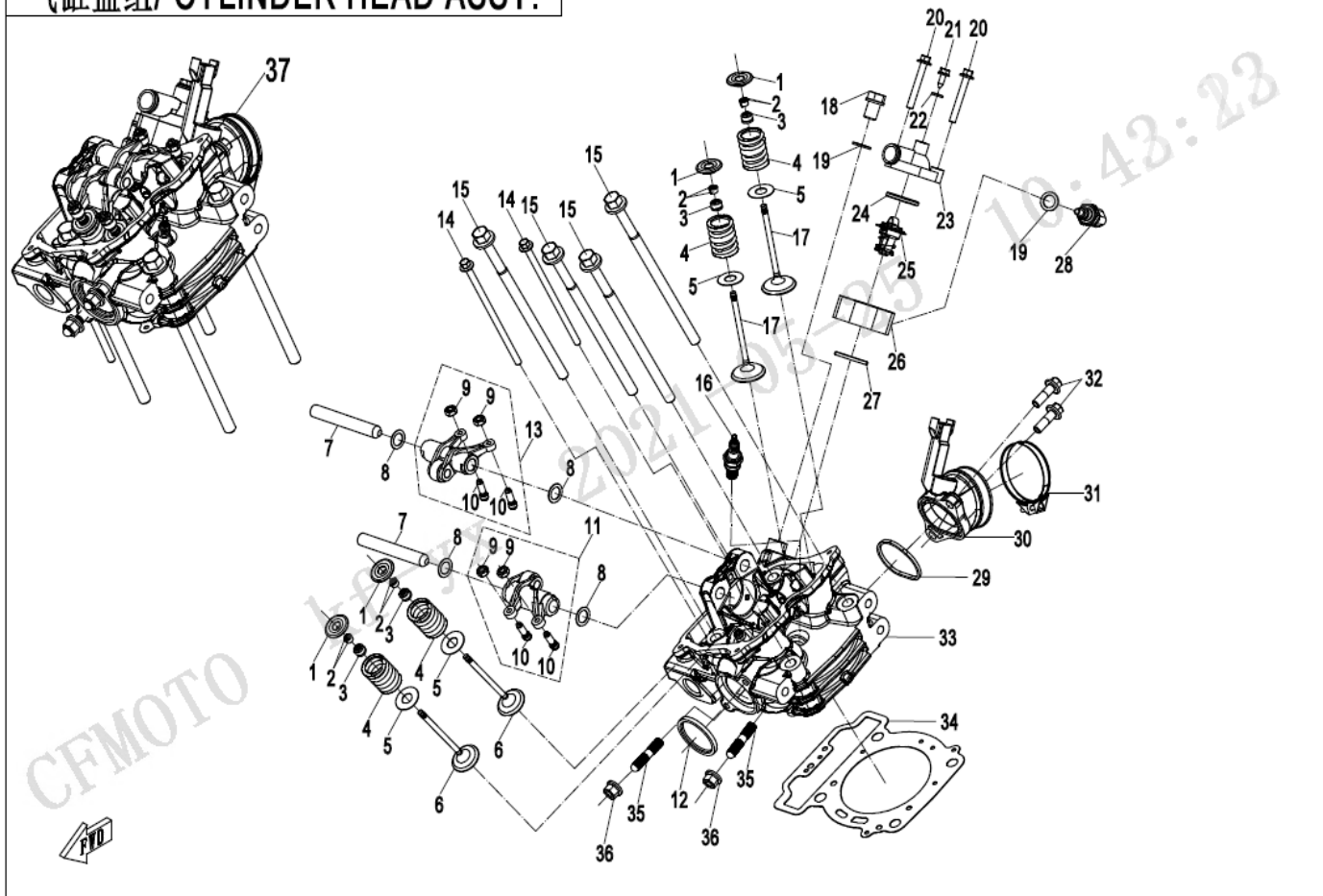
E02-1 气缸盖罩组/ CYLINDER HEAD COVER ASSY.



E02-1 CYLINDER HEAD COVER ASSY

| Item No. | Parts Number      | Parts Name(EN)                 | Qty | Specification |
|----------|-------------------|--------------------------------|-----|---------------|
| 01       | 0800-021002-00001 | SEAL RING, CYLINDER HEAD COVER | 1   |               |
| 02       | 0800-021001       | CYLINDER HEAD COVER            | 1   |               |
| 03       | 0800-021102-10000 | RUBBER WASHER                  | 4   |               |
| 04       | 0800-021103       | CAP, RUBBER WASHER             | 4   |               |
| 05       | 0800-021101-10001 | BOLT, CYLINDER HEAD COVER      | 4   |               |

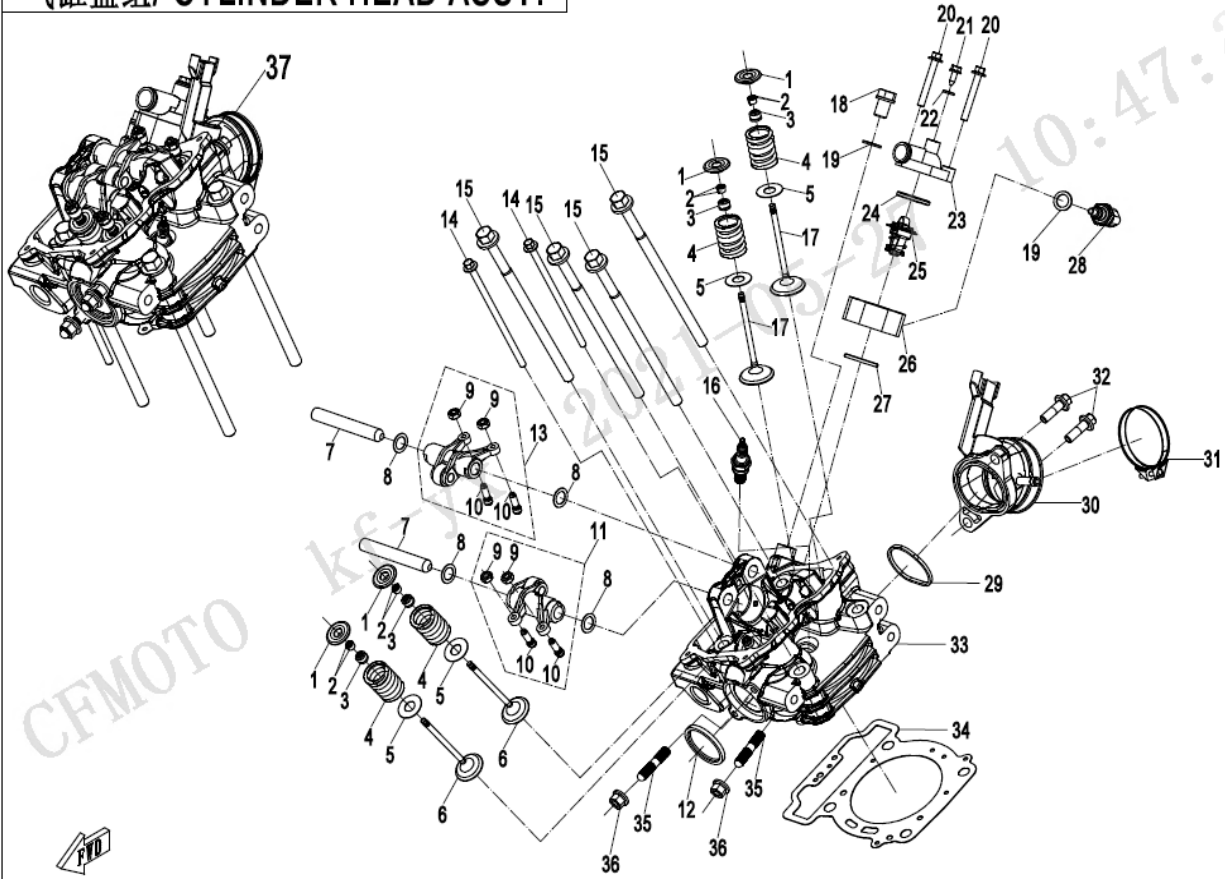
气缸盖组/ CYLINDER HEAD ASSY.



E02-2-A CYLINDER HEAD ASSY.(WITHOUT FUEL VAPORIZATION SYSTEM)

| Item No. | Parts Number      | Parts Name(EN)                | Qty | Specification |
|----------|-------------------|-------------------------------|-----|---------------|
| 01       | 0800-022007       | UPPER SEAT, VALVE SPRING      | 4   |               |
| 02       | 0800-022016       | LOCK CLIP, VALVE              | 8   |               |
| 03       | 0010-022500-10000 | SEAL RING, VALVE STEM         | 4   |               |
| 04       | 0800-022006-10000 | VALVE SPRING                  | 4   |               |
| 05       | 0800-022008       | LOWER SEAT, VALVE SPRING      | 4   |               |
| 06       | 0800-022005       | VALVE, EXHAUST                | 2   |               |
| 07       | 0800-022001       | ROCKER ARM SHAFT              | 2   |               |
| 08       | 0800-022002       | WASHER 12.3x18.5x0.5          | 4   | 12.3x18.5x0.5 |
| 09       | 0800-022506       | ADJUST NUT, VALVE CLEARANCE   | 4   |               |
| 10       | 0800-022510       | ADJUST SCREW, VALVE CLEARANCE | 4   |               |
| 11       | 0800-022600-20000 | ROCKER ARM ASSY, AIR EXHAUST  | 1   |               |
| 12       | 0800-022300       | BUSHING, EXHAUST PIPE         | 1   |               |
| 13       | 0800-022500-20000 | ROCKER ARM ASSY, AIR INTAKE   | 1   |               |
| 14       | 0GR0-022002-00001 | BOLT M6x132                   | 2   | M6x132        |
| 15       | 0GR0-022001-10000 | BOLT,CYLINDER                 | 4   |               |
| 16       | 0800-022800       | SPARK PLUG                    | 1   |               |
| 17       | 0800-022004       | VALVE, INTAKE                 | 2   |               |
| 18       | 0800-022015-00001 | SCREW PLUG M12x1.5            | 1   |               |
| 19       | 0800-022014       | WASHER 12.2x18x1.5            | 2   | 12.2x18x1.5   |
| 20       | 0180-013208-0010  | BOLT M6x45                    | 2   | M6x45         |
| 21       | 30132-550160030   | SCREW ST5.5x16                | 1   | ST5.5x16      |
| 22       | 0800-022011       | WASHER 5.3x11x1.5             | 1   | 5.3x11x1.5    |
| 23       | 0800-022013-10000 | THERMOSTAT CAP                | 1   |               |
| 24       | 0010-022802       | SEAL RING                     | 1   |               |
| 25       | 0800-022700       | THERMOSTAT                    | 1   |               |
| 26       | 0GR0-022003       | SEAT, THERMOSTAT              | 1   |               |
| 27       | 30502-028000N     | O-RING                        | 1   | 28x2.65       |
| 28       | 018B-022810       | WATER TEMPERATURE SENSOR      | 1   |               |
| 29       | 0800-025002       | SEAL RING, MANIFOLD           | 1   |               |
| 30       | 0GR0-022900       | INJECTOR SEAT                 | 1   |               |
| 31       | 01A0-110005       | CLAMP 57                      | 1   |               |
| 32       | 0130-011114-0010  | BOLT M8x25                    | 2   | M8x25         |
| 33       | 0GS0-022100-10001 | CYLINDER HEAD ASSY            | 1   |               |
| 34       | 0800-022200-00002 | GASKET, CYLINDER HEAD         | 1   |               |
| 35       | 0180-022003-00001 | STUD M8x42                    | 2   |               |
| 36       | 0010-011700-0010  | FLANGE NUT M8                 | 2   | M8            |
| 37       | 0GS0-022000-10001 | CYLINDER HEAD SUB ASSY        | 1   |               |

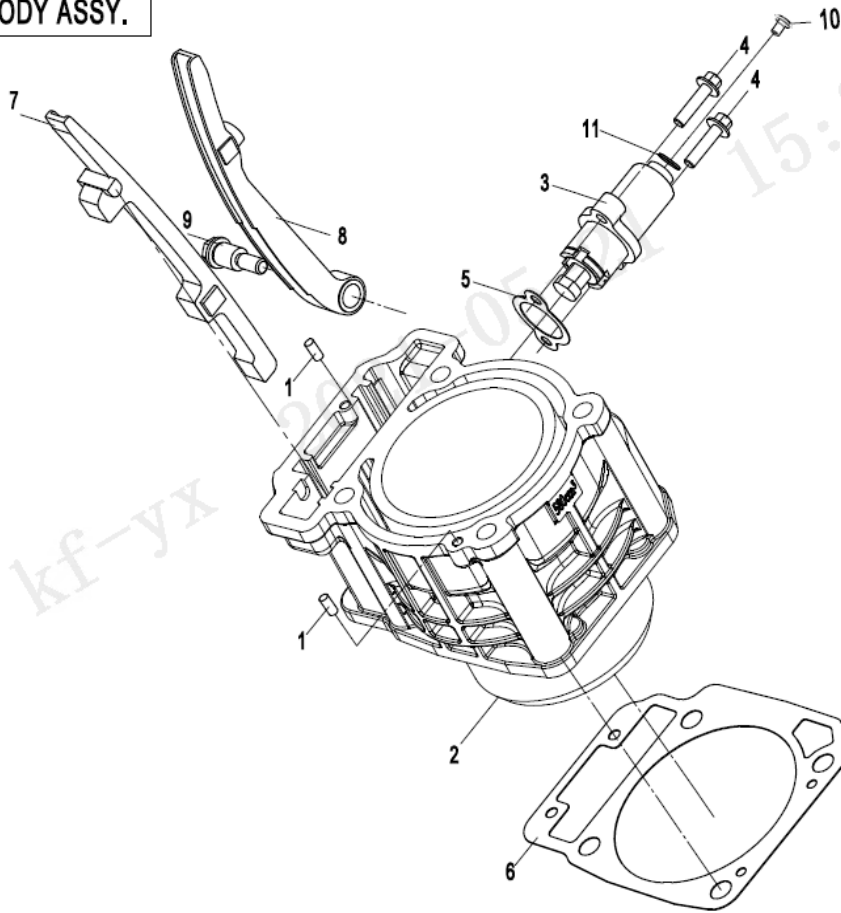
气缸盖组/ CYLINDER HEAD ASSY.



E02-2-B CYLINDER HEAD ASSY.(WITH FUEL VAPORIZATION SYSTEM)

| Item No. | Parts Number      | Parts Name(EN)                | Qty | Specification |
|----------|-------------------|-------------------------------|-----|---------------|
| 01       | 0800-022007       | UPPER SEAT, VALVE SPRING      | 4   |               |
| 02       | 0800-022016       | LOCK CLIP, VALVE              | 8   |               |
| 03       | 0010-022500-10000 | SEAL RING, VALVE STEM         | 4   |               |
| 04       | 0800-022006-10000 | VALVE SPRING                  | 4   |               |
| 05       | 0800-022008       | LOWER SEAT, VALVE SPRING      | 4   |               |
| 06       | 0800-022005       | VALVE, EXHAUST                | 2   |               |
| 07       | 0800-022001       | ROCKER ARM SHAFT              | 2   |               |
| 08       | 0800-022002       | WASHER 12.3x18.5x0.5          | 4   | 12.3x18.5x0.5 |
| 09       | 0800-022506       | ADJUST NUT, VALVE CLEARANCE   | 4   |               |
| 10       | 0800-022510       | ADJUST SCREW, VALVE CLEARANCE | 4   |               |
| 11       | 0800-022600-20000 | ROCKER ARM ASSY, AIR EXHAUST  | 1   |               |
| 12       | 0800-022300       | BUSHING, EXHAUST PIPE         | 1   |               |
| 13       | 0800-022500-20000 | ROCKER ARM ASSY, AIR INTAKE   | 1   |               |
| 14       | 0GR0-022002-00001 | BOLT M6x132                   | 2   | M6x132        |
| 15       | 0GR0-022001-10000 | BOLT,CYLINDER                 | 4   |               |
| 16       | 0800-022800       | SPARK PLUG                    | 1   |               |
| 17       | 0800-022004       | VALVE, INTAKE                 | 2   |               |
| 18       | 0800-022015-00001 | SCREW PLUG M12x1.5            | 1   |               |
| 19       | 0800-022014       | WASHER 12.2x18x1.5            | 2   | 12.2x18x1.5   |
| 20       | 0180-013208-0010  | BOLT M6x45                    | 2   | M6x45         |
| 21       | 30132-550160030   | SCREW ST5.5x16                | 1   | ST5.5x16      |
| 22       | 0800-022011       | WASHER 5.3x11x1.5             | 1   | 5.3x11x1.5    |
| 23       | 0800-022013-10000 | THERMOSTAT CAP                | 1   |               |
| 24       | 0010-022802       | SEAL RING                     | 1   |               |
| 25       | 0800-022700       | THERMOSTAT                    | 1   |               |
| 26       | 0GR0-022003       | SEAT, THERMOSTAT              | 1   |               |
| 27       | 30502-028000N     | O-RING                        | 1   | 28x2.65       |
| 28       | 018B-022810       | WATER TEMPERATURE SENSOR      | 1   |               |
| 29       | 0800-025002       | SEAL RING, MANIFOLD           | 1   |               |
| 30       | 0GR0-022900-10000 | FUEL INJECTOR SEAT            | 1   |               |
| 31       | 01A0-110005       | CLAMP 57                      | 1   |               |
| 32       | 0130-011114-0010  | BOLT M8x25                    | 2   | M8x25         |
| 33       | 0GS0-022100-10001 | CYLINDER HEAD ASSY            | 1   |               |
| 34       | 0800-022200-00002 | GASKET, CYLINDER HEAD         | 1   |               |
| 35       | 0180-022003-00001 | STUD M8x42                    | 2   |               |
| 36       | 0010-011700-0010  | FLANGE NUT M8                 | 2   | M8            |
| 37       | 0GS0-0220A0-10001 | CYLINDER HEAD SUB ASSY        | 1   |               |

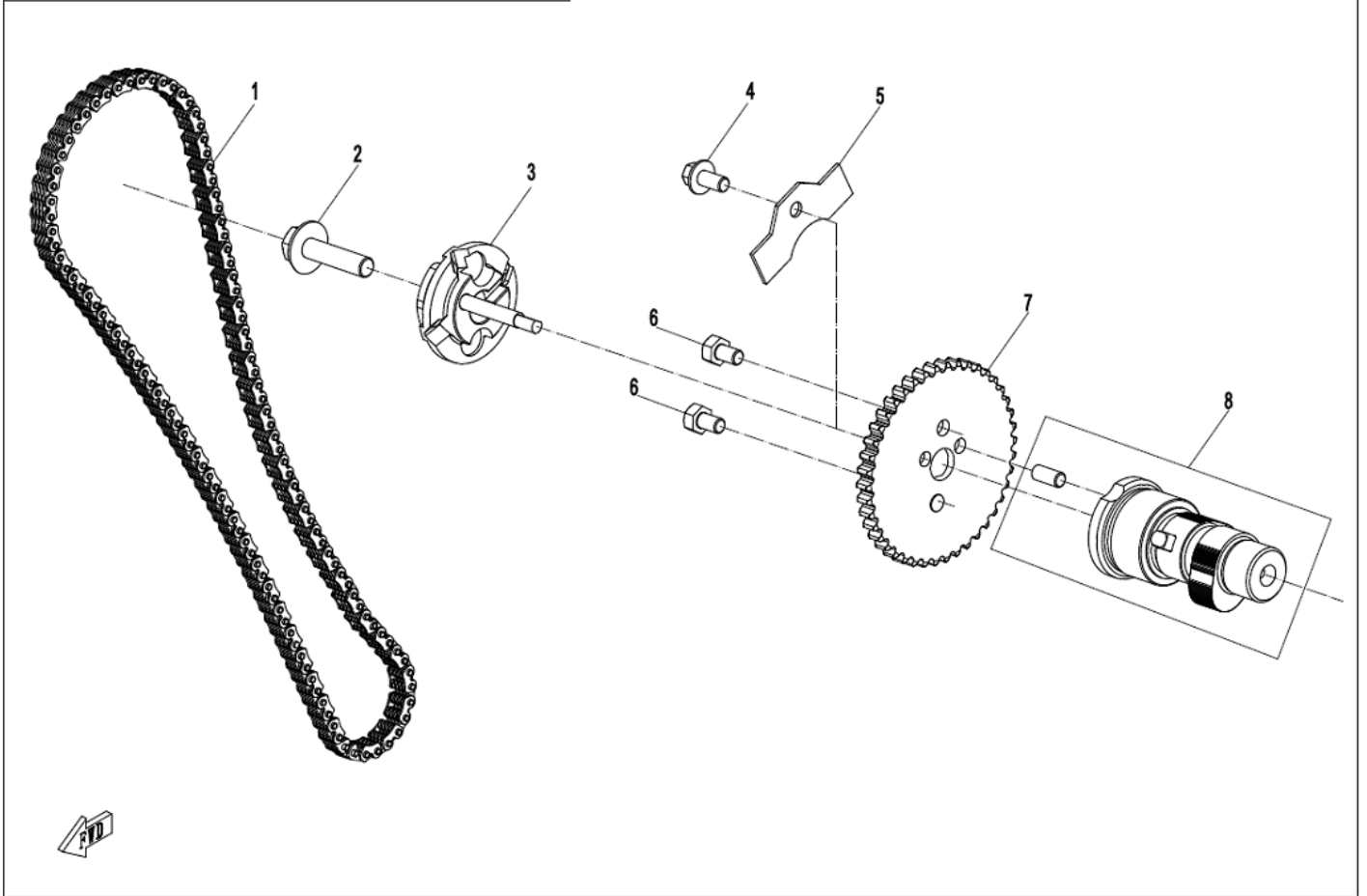
气缸体组/ CYLINDER BODY ASSY.



E02-3-V2 CYLINDER BODY ASSY.

| Item No. | Parts Number      | Parts Name(EN)        | Qty | Specification |
|----------|-------------------|-----------------------|-----|---------------|
| 01       | 30406-00500       | ROLLER NEEDLE P5x11.8 | 2   | P5x11.8       |
| 02       | 0GS0-023100-10010 | CYLINDER BODY ASSY    | 1   | 1 GROUP       |
| 02       | 0GS0-023100-10020 | CYLINDER BODY ASSY    | 1   | 2 GROUP       |
| 03       | 0GS0-023200-00001 | TENSIONER ASSY        | 1   |               |
| 04       | 0010-021017-0010  | BOLT M6x25            | 2   | M6x25         |
| 05       | 0180-023003       | GASKET, TENSIONER     | 1   |               |
| 06       | 0GR0-023001       | GASKET, CYLINDER BODY | 1   |               |
| 07       | 0GR0-023300       | UPPERGUIDE, CHAIN     | 1   |               |
| 08       | 0GR0-023200       | TENSION PLATE         | 1   |               |
| 09       | 0700-024008-00001 | PIN SHAFT             | 1   |               |
| 10       | 0JYA-023001-00001 | HEX FLANGE BOLT M6x6  | 1   |               |
| 11       | 0700-011202       | O-SEAL RING 8.2x1.90  | 1   | 8.2x1.90      |

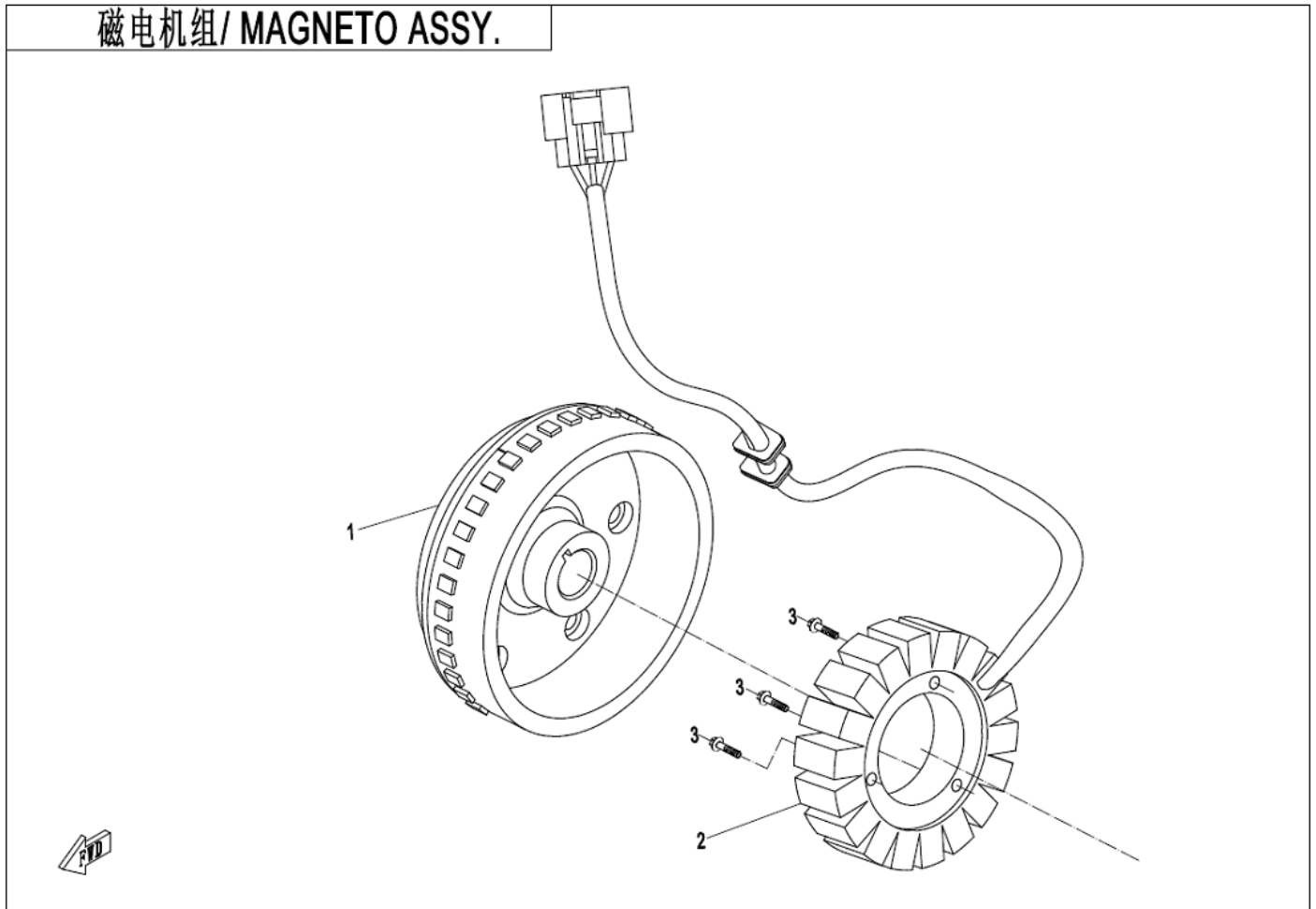
凸轮轴组/ CAMSHAFT OF CYLINDER ASSY.



E02-4 CAMSHAFT OF CYLINDER ASSY.

| Item No. | Parts Number      | Parts Name(EN)          | Qty | Specification |
|----------|-------------------|-------------------------|-----|---------------|
| 01       | 0GR0-024100       | TIMING CHAIN            | 1   |               |
| 02       | 0GR0-024003-00001 | BOLT M8x32              | 1   | M8x32         |
| 03       | 0GR0-024200-10000 | STARTER DECOMPRESSOER   | 1   |               |
| 04       | 0010-021019-0010  | BOLT M6x12              | 1   | M6x12         |
| 05       | 0800-024004-10000 | HOLDING STRIP, CAMSHAFT | 1   |               |
| 06       | 30004-060010130   | BOLT M6x10              | 2   | M6x10         |
| 07       | 0GR0-024002       | TIMING DRIVEN SPROCKET  | 1   |               |
| 08       | 0GS0-0240A0       | CAMSHAFT ASSY           | 1   |               |

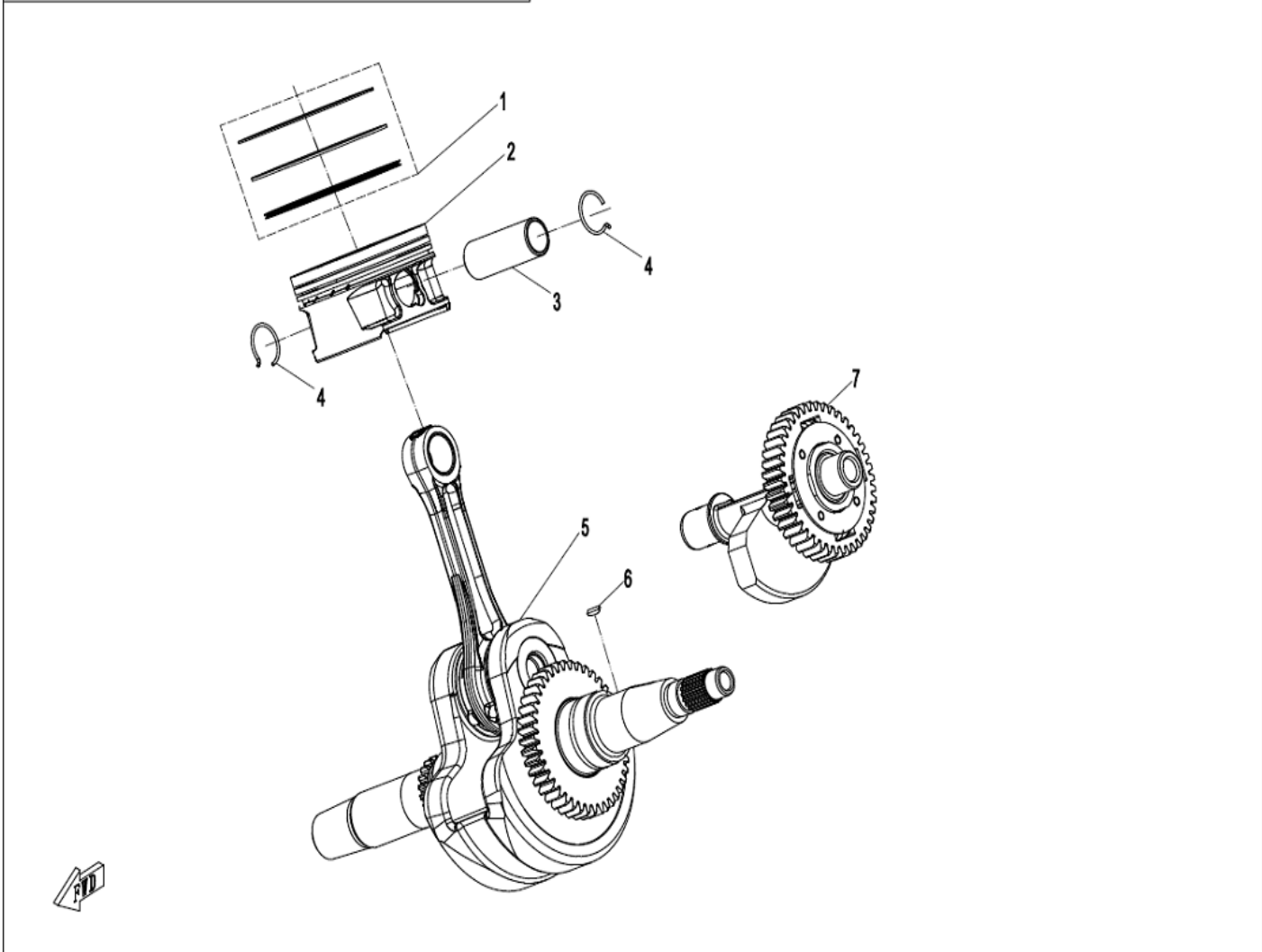
磁机组 / MAGNETO ASSY.



E03-B MAGNETO ASSY.

| Item No. | Parts Number      | Parts Name(EN)       | Qty | Specification |
|----------|-------------------|----------------------|-----|---------------|
| 01       | OGS0-031000-10000 | MAGNETO ROTOR ASSY.  | 1   |               |
| 02       | OGR0-032000-70000 | MAGNETO STATOR ASSY. | 1   |               |
| 02       | OGS0-032000-40000 | MAGNETO STATOR ASSY. | 1   |               |
| 03       | 0180-030001-00001 | SCREW M6x30          | 3   |               |

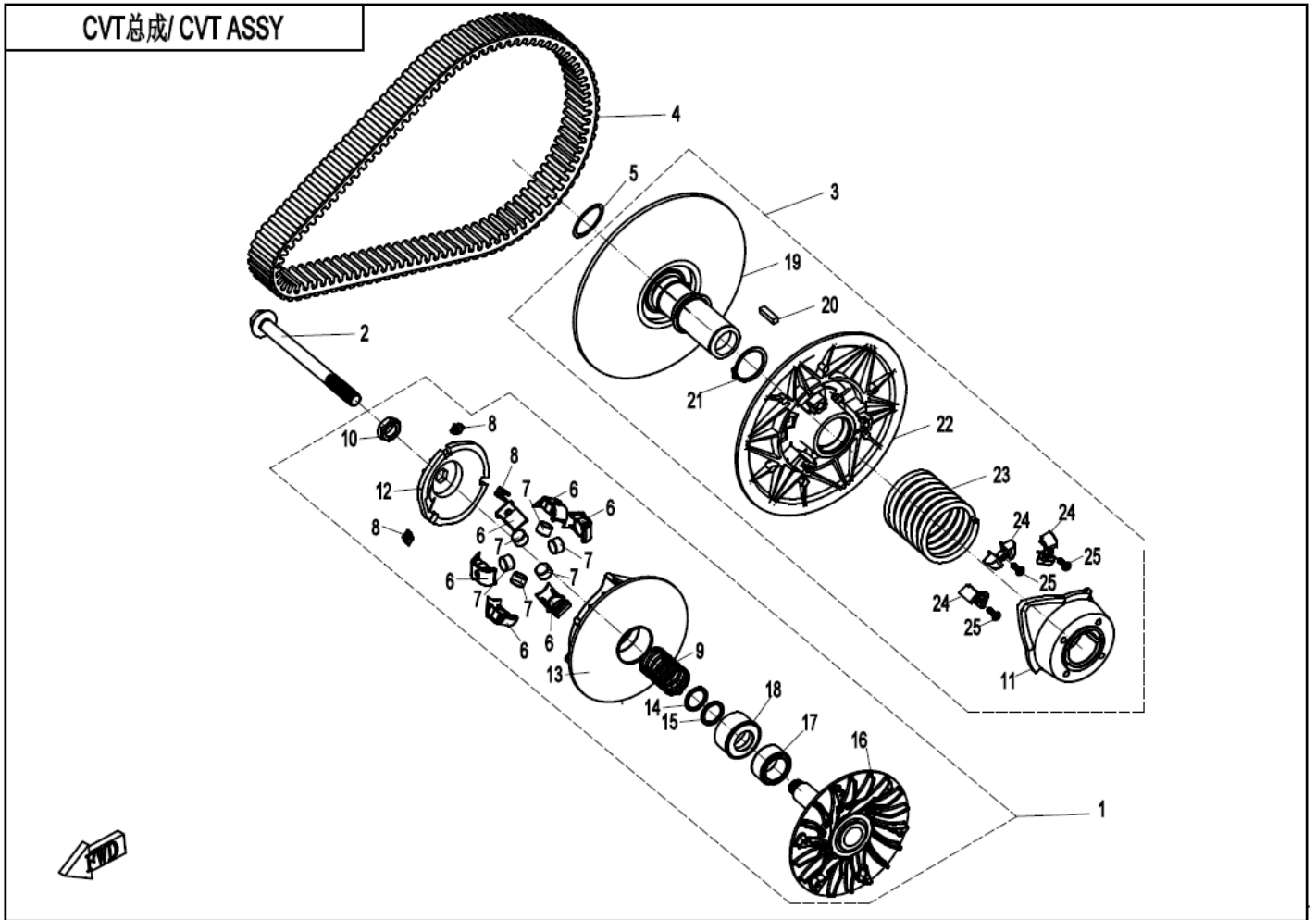
曲柄连杆活塞组 / CRANKSHAFT & CONNECTING ROD & PISTON ASSY.



E04-B-V2 CRANKSHAFT & CONNECTING ROD & PISTON ASSY.

| Item No. | Parts Number      | Parts Name(EN)      | Qty | Specification   |
|----------|-------------------|---------------------|-----|---|
| 01       | 0JYA-0400B0       | PISTON RING ASSY    | 1   | SUPPLIERS:ATG   |
| 02       | 0GS0-040001-00021 | PISTON              | 1   | GROUP 2   |
| 02       | 0GS0-040001-00011 | PISTON              | 1   | GROUP 1   |
| 02       | 0GS0-040001-00012 | PISTON              | 1   | MARK1   |
| 02       | 0GS0-040001-00022 | PISTON              | 1   | MARK 2  |
| 03       | 0800-040002       | PISTON PIN          | 1   |   |
| 04       | 0800-040005       | CIRCLIP, PISTON PIN | 2   |   |
| 05       | 0GS0-041000-30013 | CRANKSHAFT ASSEMBLY | 1   | COPPER BEARING@MARK A@WITH OIL HOLE@MATCHED WITH MARK B BALANCER SHAFT ASSY |
| 06       | 0180-040007       | WOODRUFF KEY        | 1   |   |
| 07       | 0GS0-160000-00021 | BALANCER SHAFT ASSY | 1   | GROUP B@MATCHED WITH MARK A BLANCER SHAFT ASSY                              |

CVT总成/ CVT ASSY

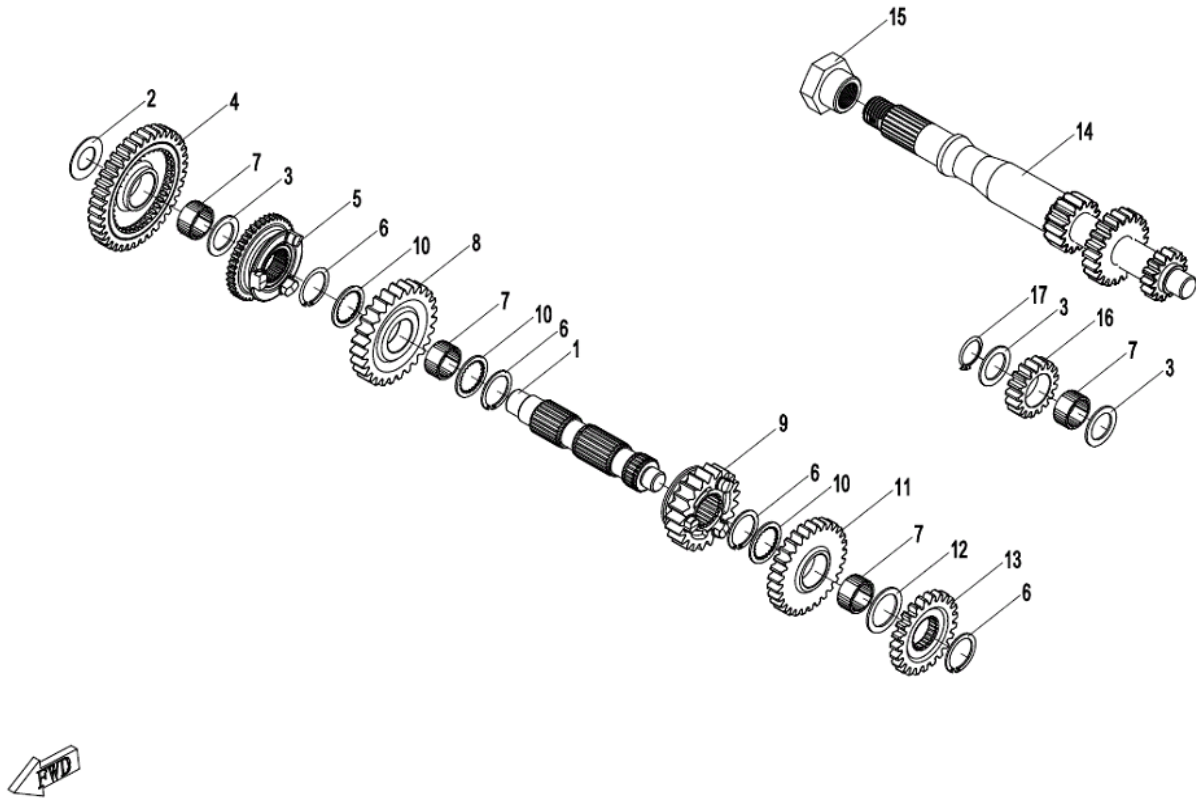


E05-V2 CLUTCH & CVT ASSY.

| Item No. | Parts Number      | Parts Name(EN)                  | Qty | Specification |
|----------|-------------------|---------------------------------|-----|---------------|
| 01       | OGS0-051000-10010 | DRIVE PULLEY ASSY               | 1   |               |
| 02       | OJY0-050001-00001 | BOLT, DRIVE PULLEY              | 1   |               |
| 03       | OGR0-052000       | DRIVEN PULLEY                   | 1   |               |
| 04       | 0180-055000-0004  | DRIVE BELT                      | 1   | MITSUBOSHI    |
| 04       | 0180-055000-0003  | DRIVE BELT                      | 1   | BANDO         |
| 05       | OGR0-050001-00001 | ADJUSTING WASHER                | 1   |               |
| 06       | OGR0-051005       | NYLON PROTECTOR, WEIGHT ROLLER  | 6   | CVtech        |
| 07       | OGS0-051002       | WEIGHT ROLLER                   | 6   | 10g           |
| 08       | OJYA-051004-10000 | NYLON PARTS, THRUST DISC        | 3   |               |
| 09       | OGS0-051001       | SPRING, DRIVE PULLEY            | 1   |               |
| 10       | OJYA-051013-10001 | NUT, DRIVE PULLEY               | 1   |               |
| 11       | OGR0-052002       | CAM PLATE                       | 1   | CVtech        |
| 12       | OJYA-051006-10000 | THRUST COLLAR                   | 1   | CVtech        |
| 13       | OJYA-051100       | MOVING PLATE ASSY, DRIVE PULLEY | 1   | CVtech        |
| 14       | OGR0-051011       | STEEL WASHER                    | 1   | CVtech        |
| 15       | OGR0-051009-10000 | NYLON WASHER                    | 1   |               |
| 16       | OGS0-051200       | DRIVE FIXED PULLEY ASSY         | 1   |               |
| 17       | OGR0-051300       | OVERRIDING CLUTCH               | 1   |               |
| 18       | OGR0-051001       | SPRING SEAT                     | 1   | CVtech        |
| 19       | OGR0-052100       | DRIVEN FIXED PULLEY ASSY        | 1   | CVtech        |
| 20       | OGR0-052003       | TAPER KEY                       | 1   | CVtech        |
| 21       | OGR0-052004       | CIRCLIP                         | 1   | CVtech        |
| 22       | OGR0-052200       | DRIVEN SLIDING PULLEY ASSY      | 1   |               |
| 23       | OGR0-052001       | SPRING, DRIVEN PULLEY           | 1   | CVtech        |
| 24       | OGR0-052005       | NYLON BLOCK                     | 3   | CVtech        |
| 25       | OGR0-052006       | SCREW                           | 3   | CVtech        |



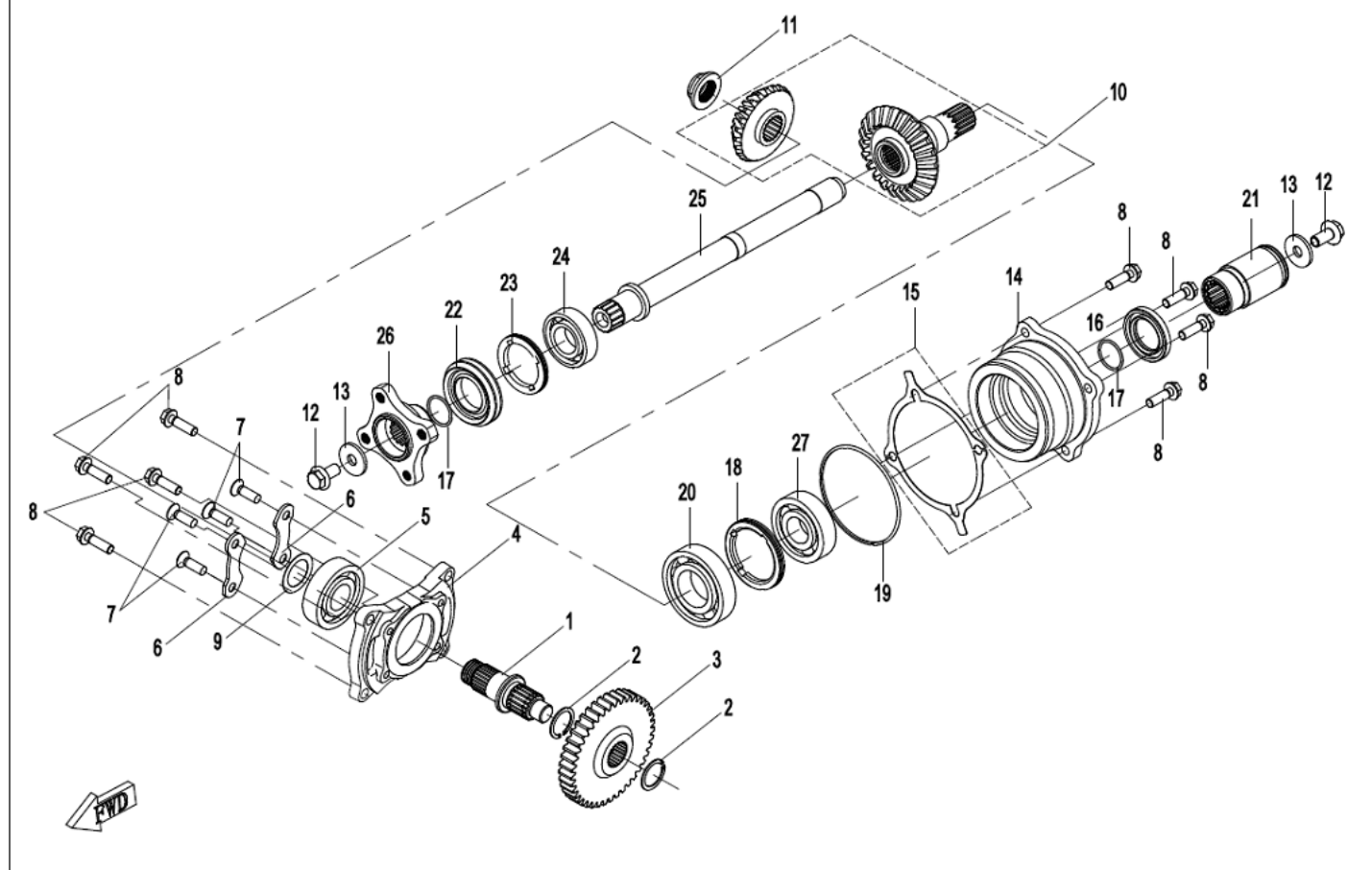
E06-1 换挡变速总成(1)/TRANSMISSION SYSTEM(1)



E06-1 TRANSMISSION SYSTEM(1)

| Item No. | Parts Number      | Parts Name(EN)          | Qty | Specification |
|----------|-------------------|-------------------------|-----|---------------|
| 01       | 0GR0-061001       | SECONDARY SHAFT, DRIVE  | 1   |               |
| 02       | 0800-061002       | WASHER 17.5x32x1        | 1   | 17.5x32x1     |
| 03       | 0180-061012       | GASKET 20.5x30x1.5      | 3   | 20.5x30x1.5   |
| 04       | 0GR0-061200       | DRIVEN GEAR, LOW RANGE  | 1   |               |
| 05       | 0GR0-061006-10000 | SLIDE GEAR              | 1   |               |
| 06       | 0180-061007-0050  | CIRCLIP 25              | 4   | 25            |
| 07       | 0GR0-060100       | NEEDLE BEARING 20x25x12 | 4   | 20X25X12      |
| 08       | 0GR0-061005       | GEAR, HIGHRANGE         | 1   |               |
| 09       | 0GR0-061004-00001 | OUTPUT DRIVE GEAR       | 1   |               |
| 10       | 0GR0-061008       | WASHER                  | 3   |               |
| 11       | 0GR0-061003       | GEAR, REVERSE           | 1   |               |
| 12       | 0GR0-061009-00001 | WASHER 25x34x1.5        | 1   | 25x34x1.5     |
| 13       | 0GR0-061002       | GEAR, PARKING           | 1   |               |
| 14       | 0GR0-060001       | MAIN SHAFT              | 1   |               |
| 15       | OJY0-060001-00001 | NUT, MAIN DRIVE SHAFT   | 1   |               |
| 16       | 0GR0-060002       | REVERSE GEAR            | 1   |               |
| 17       | 30801-02005       | CIRCLIPS FOR SHAFT 20   | 1   | 20            |

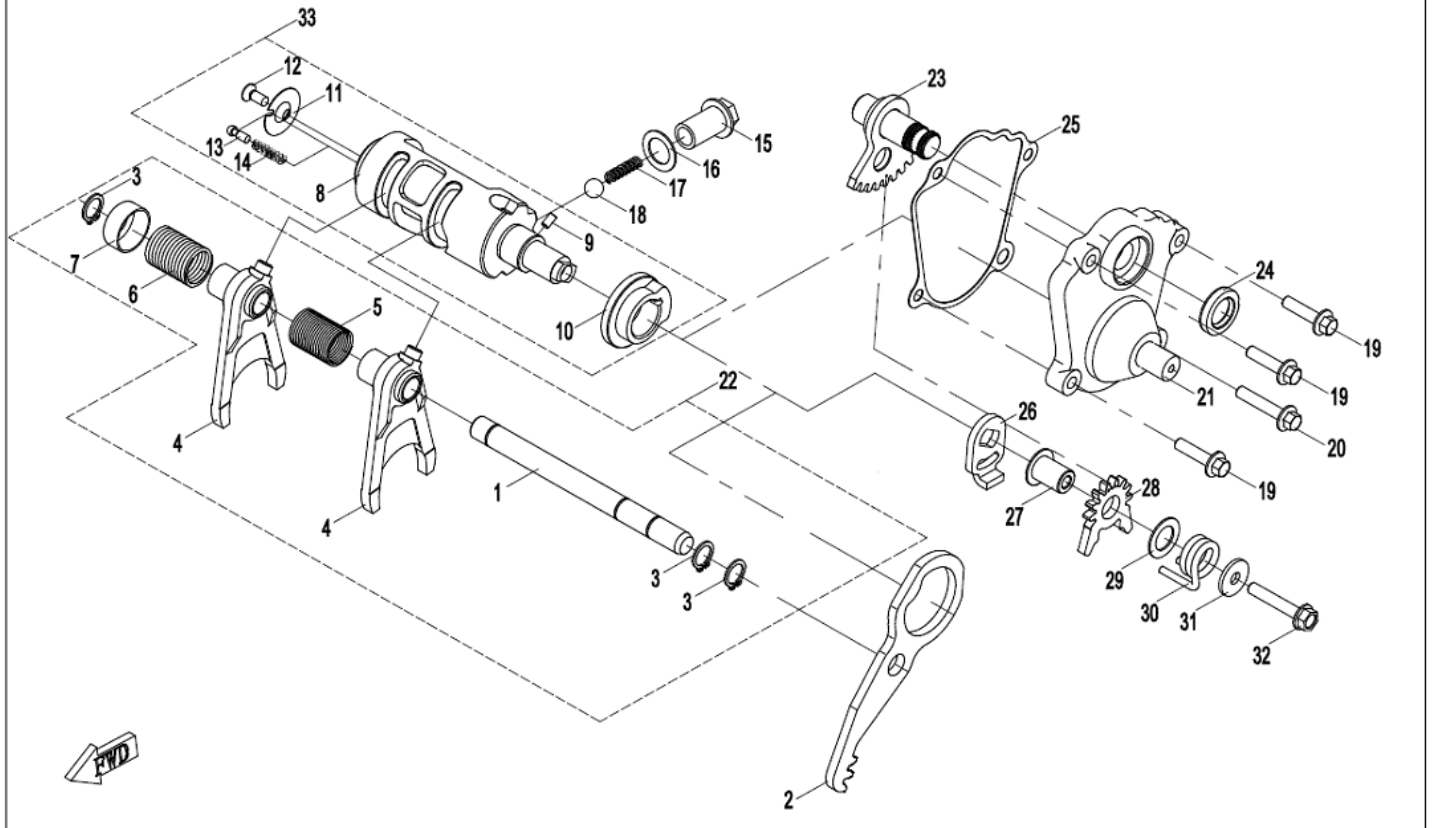
换挡变速系统(2)/ TRANSMISSION SYSTEM(2)



E06-2 TRANSMISSION SYSTEM(2)

| Item No. | Parts Number      | Parts Name(EN)                            | Qty | Specification |
|----------|-------------------|---|-----|---------------|
| 01       | 0180-062101       | DRIVE BEVEL GEAR SHAFT                    | 1   |               |
| 02       | 0180-061007-0050  | CIRCLIP 25                                | 2   | 25            |
| 03       | 0180-062102-00001 | OUTPUT DRIVEN GEAR                        | 1   |               |
| 04       | 0180-062103-10000 | BEARING SEAT, DRIVE BEVEL GEAR            | 1   |               |
| 05       | 30499-02501       | BEARING                                   | 1   | 25            |
| 06       | 0180-062104-0010  | LIMITATOR, BEARING                        | 2   |               |
| 07       | 30124-080025810   | SCREW M8x25                               | 4   | M8x25         |
| 08       | OJYA-062104       | BOLT M8x28                                | 8   | M8x28         |
| 09       | 0180-062105-0004  | ADJUSTING WASHER, DRIVE SHAFT GEAR        | 1   | t=0.35        |
| 09       | 0180-062105-0003  | ADJUSTING WASHER, DRIVE SHAFT GEAR        | 1   | t=0.3         |
| 09       | 0180-062105-0002  | ADJUSTING GASKET, DRIVE BEVEL GEAR T=0.25 | 1   | T=0.25        |
| 09       | 0180-062105-0001  | ADJUSTING GASKET, DRIVE BEVEL GEAR T=0.2  | 1   | T=0.2         |
| 09       | 0180-062105       | ADJUSTING GASKET, DRIVE BEVEL GEAR T=0.15 | 1   | T=0.15        |
| 10       | OGR0-0622A0-10001 | BEVEL GEAR ASSY                           | 1   |               |
| 11       | 0180-062107-00001 | LOCK NUT, BEVEL GEAR                      | 1   |               |
| 12       | OJWA-060002-00001 | LOCK NUT, BEVEL GEAR                      | 2   |               |
| 13       | OGR0-062204       | WASHER 10x27.5x4                          | 2   | 10x27.5x4     |
| 14       | 0800-062202-10001 | DRIVEN BEVEL GEAR BEARING SEAT            | 1   |               |
| 15       | 0800-062203-0004  | ADJUSTING GASKET, DRIVEN BEVEL GEAR T=0.5 | 1   | T=0.5         |
| 15       | 0800-062203-0003  | ADJUSTING GASKET, DRIVEN BEVEL GEAR T=0.4 | 1   | T=0.4         |
| 15       | 0800-062203-0002  | ADJUSTING GASKET, DRIVEN BEVEL GEAR T=0.3 | 1   | T=0.3         |
| 15       | 0800-062203-0001  | ADJUSTING GASKET, DRIVEN BEVEL GEAR T=0.2 | 1   | T=0.2         |
| 15       | 0800-062203       | ADJUSTING GASKET, DRIVEN BEVEL GEAR T=0.1 | 1   | T=0.1         |
| 16       | 0800-062204       | OIL SEAL 35x50x7                          | 1   | 35x50x7       |
| 17       | 0800-062205       | O-SEAL RING 25x2                          | 2   | 25x2          |
| 18       | 0800-062206       | STOPPER NUT, BEARING                      | 1   |               |
| 19       | 0180-062205       | O-SEAL RING 88x2.5                        | 1   | 88x2.5        |
| 20       | 30400-03500       | BEARING                                   | 1   | 35            |
| 21       | 9CR6-300201-10000 | DRIVE SLEEVE, ENGINE                      | 1   |               |
| 22       | OJWA-062302       | OIL SEAL 35x61x9(14)                      | 1   | 35x61x9       |
| 23       | 0180-060008       | BEARING RETAINER, FRONT OUTPUT SHAFT      | 1   |               |
| 24       | 30400-02501       | BEARING                                   | 1   | 25            |
| 25       | OGR0-062301-10001 | FRONT OUTPUT SHAFT ASSY                   | 1   |               |
| 26       | OGR0-060003       | COUPLER                                   | 1   |               |
| 27       | 30400-02502       | BEARING                                   | 1   | CHINA         |

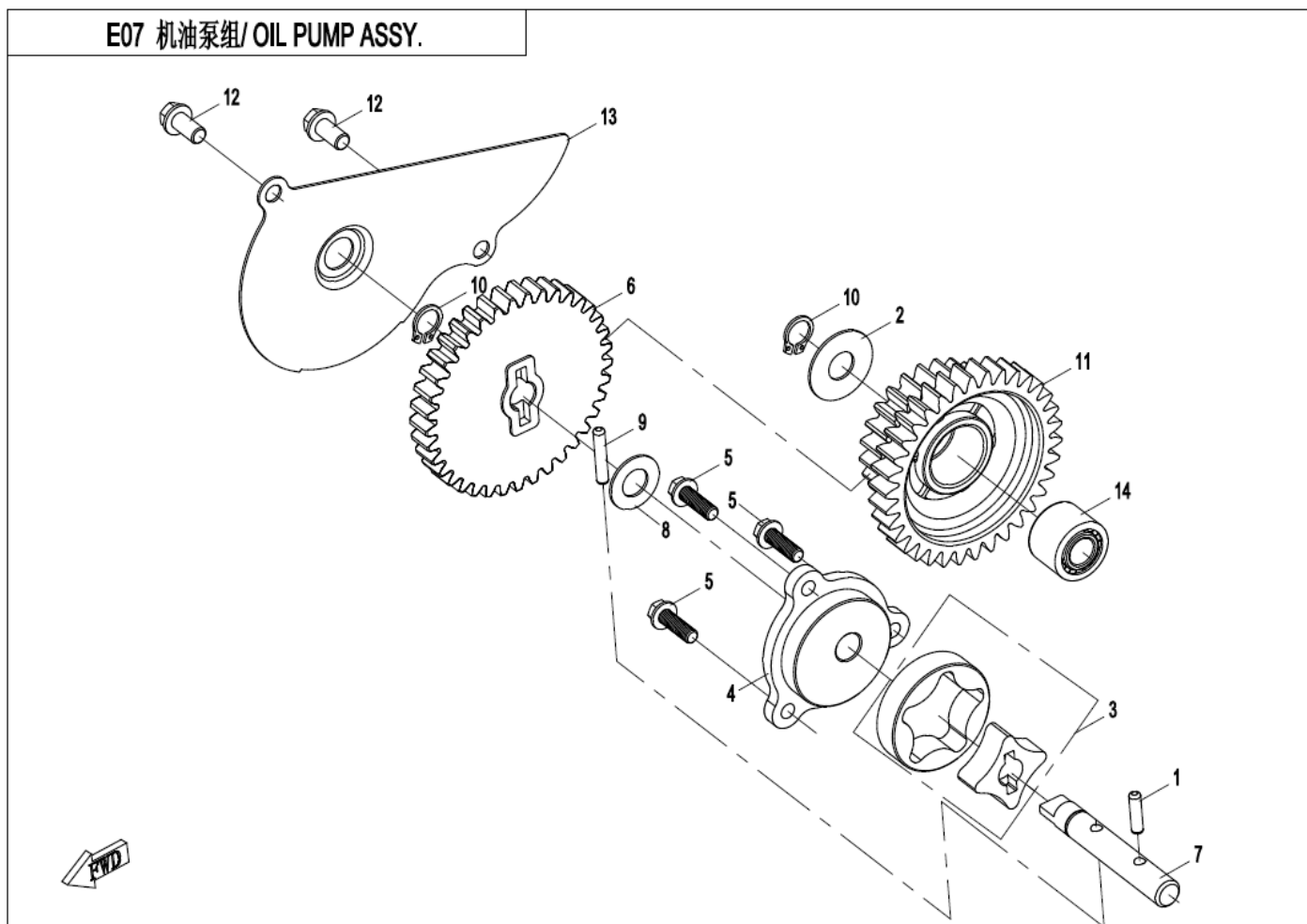
E06-3 换挡变速总成(3)/TRANSMISSION SYSTEM(3)



E06-3 TRANSMISSION SYSTEM(3)

| Item No. | Parts Number      | Parts Name(EN)                     | Qty | Specification |
|----------|-------------------|------------------------------------|-----|---------------|
| 01       | 0800-063002       | SHAFT, SHIFT FORK                  | 1   |               |
| 02       | 0GR0-063002       | SWING ARM, PARKING                 | 1   |               |
| 03       | 30801-01205       | CIRCLIPS FOR SHAFT12               | 3   | 12            |
| 04       | 0GR0-063001       | SHIFT FORK                         | 2   |               |
| 05       | 0180-063003-0050  | FORK SPRING, THIN                  | 1   |               |
| 06       | 0180-063005-0050  | FORK SPRING, THICK                 | 1   |               |
| 07       | 0180-063006-0010  | SPRING SEAT                        | 1   |               |
| 08       | 0GR0-064001       | SHIFT DRUM                         | 1   |               |
| 09       | 0800-064002       | PIN SHAFT                          | 1   |               |
| 10       | 0GR0-064002       | CAM, PARKING                       | 1   |               |
| 11       | 0180-064001-0010  | LIMIT GASKET                       | 1   |               |
| 12       | 0180-064002-00001 | LOCK SCREW T25                     | 1   |               |
| 13       | 0180-064003-0050  | GEAR CONTACTOR                     | 1   |               |
| 14       | 0180-064004-0050  | SPRING, GEAR CONTACTOR             | 1   |               |
| 15       | 0180-068001-00100 | HOLLOW BOLT M14x1.5                | 1   | M14x1.5       |
| 16       | 0180-068002       | GASKET 14.4x22x1                   | 1   | 14.4x22x1     |
| 17       | 0180-068003-0050  | SPRING, LIMIT                      | 1   |               |
| 18       | 3120003           | STEEL BALL3/8                      | 1   | 38"           |
| 19       | 0010-021017-0010  | BOLT M6x25                         | 3   | M6x25         |
| 20       | 0010-080012-0010  | BOLT M6x32                         | 1   | M6x32         |
| 21       | 0800-065001-20000 | GEARSHIFT COVER                    | 1   |               |
| 22       | 0GR0-0630A0       | SHIFT FORK ASSY                    | 1   |               |
| 23       | 0180-065100-10001 | SHIFT DRIVE SECTOR GEAR            | 1   |               |
| 23       | 0180-065100-10002 | DRIVE SECTOR GEAR                  | 1   |               |
| 24       | 0180-065002       | OIL SEAL SD15x25x5                 | 1   | SD15x25x5     |
| 25       | 0GR0-065003       | METAL GASKET, SECTOR GEAR          | 1   |               |
| 26       | 0180-065201-0010  | WASHER, DRIVEN SECTOR GEAR         | 1   |               |
| 27       | 0180-065202-0050  | SHAFT, DRIVEN SECTOR GEAR          | 1   |               |
| 28       | 0180-065203       | DRIVEN SECTOR GEAR                 | 1   |               |
| 29       | 0180-065204-0050  | GASKET 13.5x22x1                   | 1   | 13.5x22x1     |
| 30       | 0180-065205-0010  | TORSION SPRING, DRIVEN SECTOR GEAR | 1   |               |
| 31       | 0180-065206-00001 | WASHER 6.2x22x2                    | 1   |               |
| 32       | 0010-013008-0010  | BOLT M6x35                         | 1   | M6x35         |
| 33       | 0GR0-064000       | SHIFT DRUM ASSY                    | 1   |               |

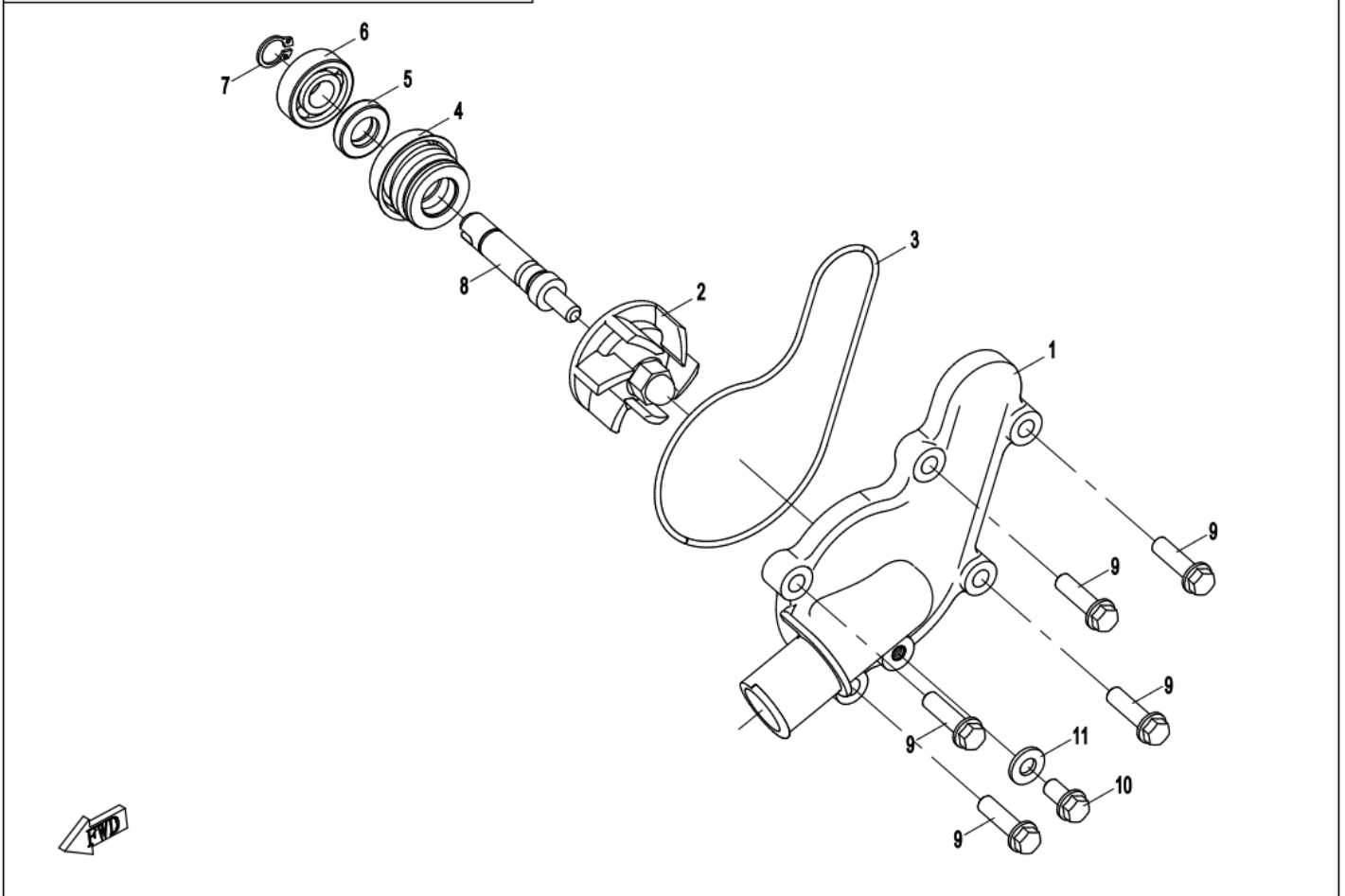
E07 机油泵组/ OIL PUMP ASSY.



### E07 OIL PUMP ASSY

| Item No. | Parts Number     | Parts Name(EN)          | Qty | Specification |
|----------|------------------|-------------------------|-----|---------------|
| 01       | 30406-00400      | ROLLER NEEDLE P4x15.8   | 1   | P4x15.8       |
| 02       | 0A80-050004      | WASHER                  | 1   |               |
| 03       | 0GR0-0700A0      | ROTOR ASSY, OIL PUMP    | 1   |               |
| 04       | 0800-070003      | COVER, OIL PUMP         | 1   |               |
| 05       | 0010-030002-0020 | BOLT M5x16              | 3   | M5x16         |
| 06       | 0GR0-070004      | DRIVE GEAR, OIL PUMP    | 1   |               |
| 07       | 0GR0-070003      | SHAFT, OIL PUMP         | 1   |               |
| 08       | 0800-011005      | WASHER 10               | 1   | 10            |
| 09       | 30406-00402      | ROLLER NEEDLE P4x21.8   | 1   | P4x21.8       |
| 10       | 30801-01005      | CIRCLIPS FOR SHAFT10    | 2   | 10            |
| 11       | 0GR0-070005      | DUAL GEAR, OIL PUMP     | 1   |               |
| 12       | 0010-021019-0010 | BOLT M6x12              | 2   | M6x12         |
| 13       | 0GR0-070006      | OIL GUARD               | 1   |               |
| 14       | 0GR0-070100      | NEEDLE BEARING 10x22x16 | 1   | 10X22X16      |

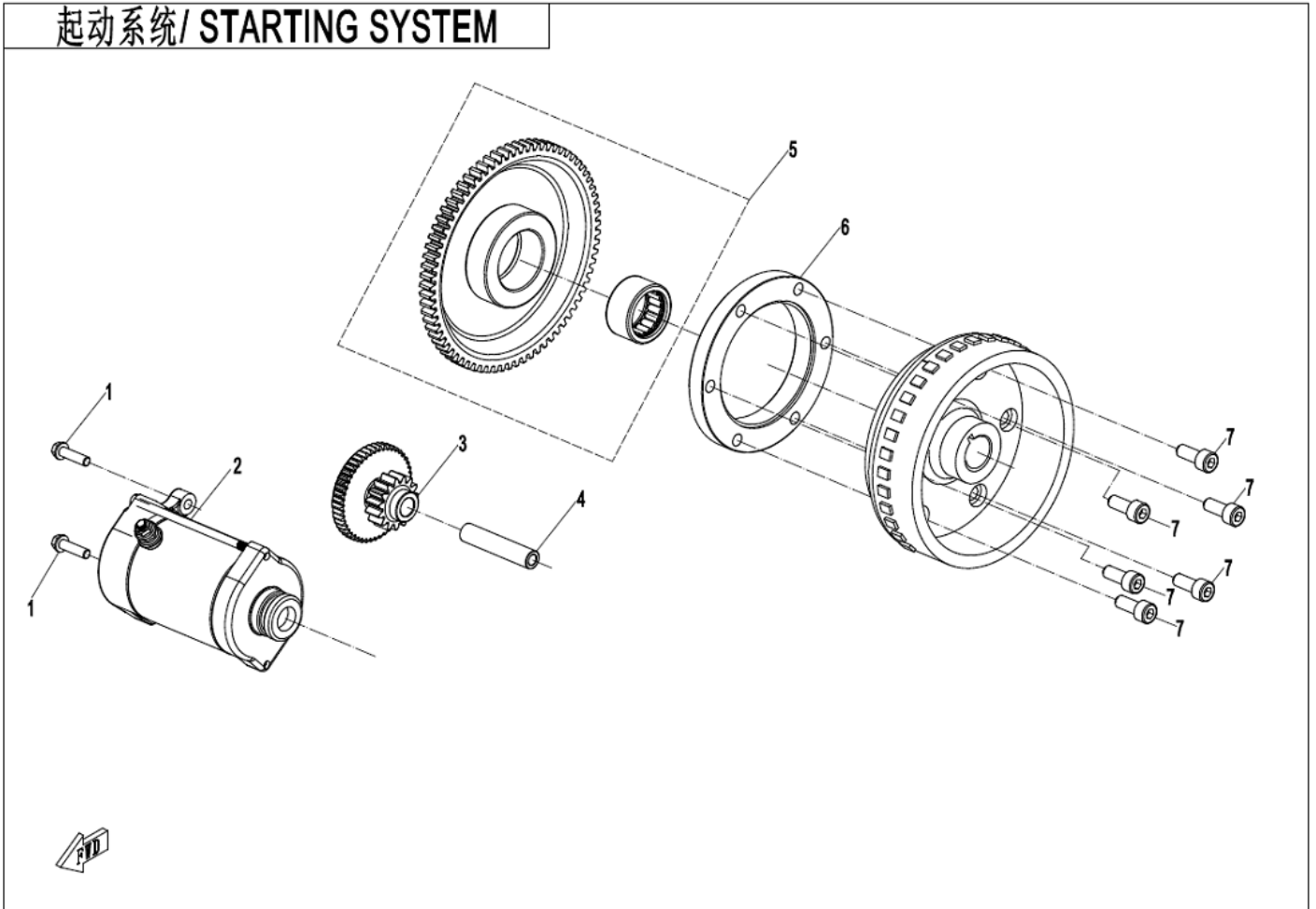
**E08 水泵组/ WATER PUMP ASSY**



**E08 WATER PUMP ASSY**

| Item No. | Parts Number      | Parts Name(EN)        | Qty | Specification |
|----------|-------------------|-----------------------|-----|---------------|
| 01       | 0GR0-080001       | WATER PUMP COVER      | 1   |               |
| 02       | 0GS0-080002-00001 | WATER PUMP IMPELLER   | 1   |               |
| 03       | 0GR0-080002       | SEAL RING, WATER PUMP | 1   |               |
| 04       | 0700-081200       | WATER SEAL ASSY       | 1   |               |
| 05       | 0110-080005       | OIL SEAL 10x20x5      | 1   | 10x20x5       |
| 06       | 30400-01000       | BEARING               | 1   | 6000          |
| 07       | 30801-01005       | CIRCLIPS FOR SHAFT10  | 1   | 10            |
| 08       | 0180-081004-0050  | WATER PUMP SHAFT      | 1   |               |
| 09       | 0010-080013-0010  | BOLT M6x22            | 5   | M6x22         |
| 10       | 0010-021019-0010  | BOLT M6x12            | 1   | M6x12         |
| 11       | 0010-060009       | WASHER 6              | 1   | 6             |

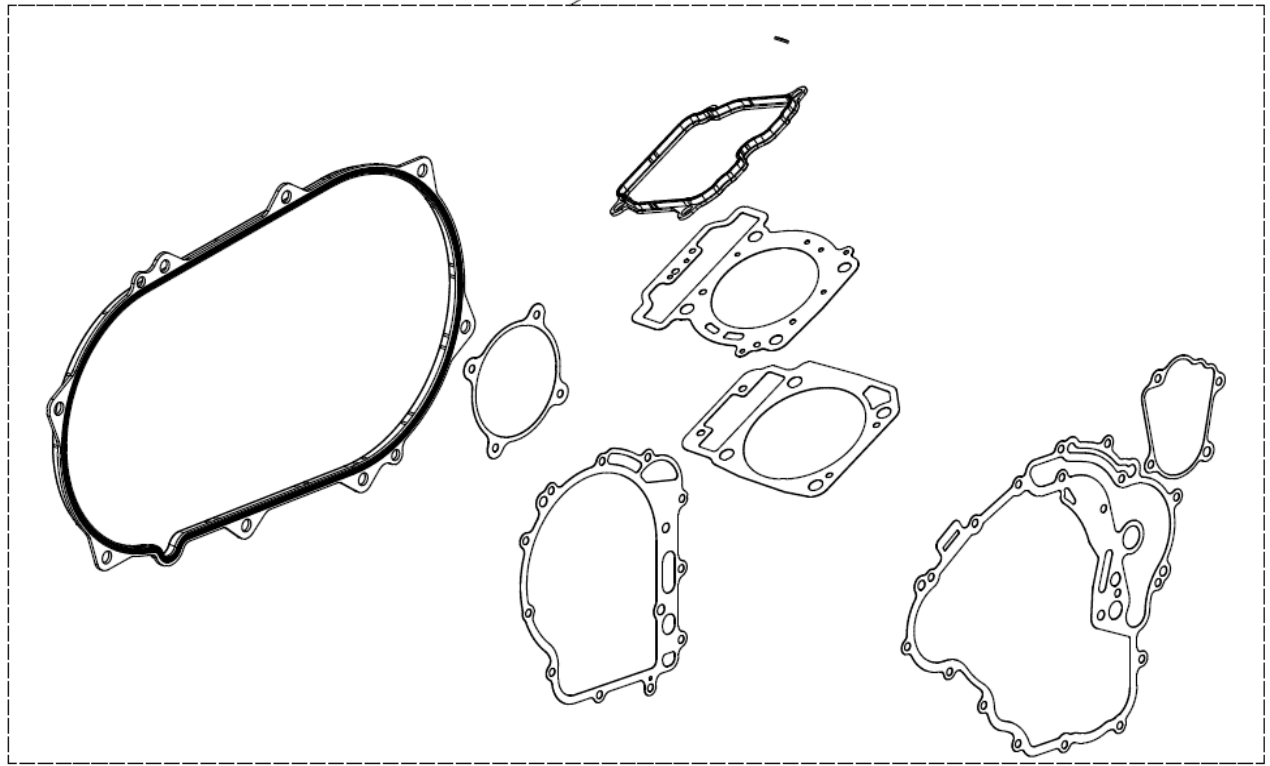
起动系统/ STARTING SYSTEM



E09 STARTING SYSTEM

| Item No. | Parts Number     | Parts Name(EN)           | Qty | Specification |
|----------|------------------|--------------------------|-----|---------------|
| 01       | 0010-080013-0010 | BOLT M6x22               | 2   | M6x22         |
| 02       | 0GR0-091100      | STARTING MOTOR           | 1   |               |
| 02       | 0GSV-093000-1100 | START MOTOR              | 1   |               |
| 03       | 0GR0-091002      | STARTER DUAL GEAR        | 1   |               |
| 04       | 0180-091006      | AXLE, DUAL GEAR          | 1   |               |
| 05       | 0GS0-0910A0      | DRIVEN GEAR ASSY,STARTER | 1   |               |
| 06       | 0180-091200      | OVERRIDING CLUTCH        | 1   |               |
| 07       | 30102-080020810  | SCREW M8x20              | 6   | M8x20         |

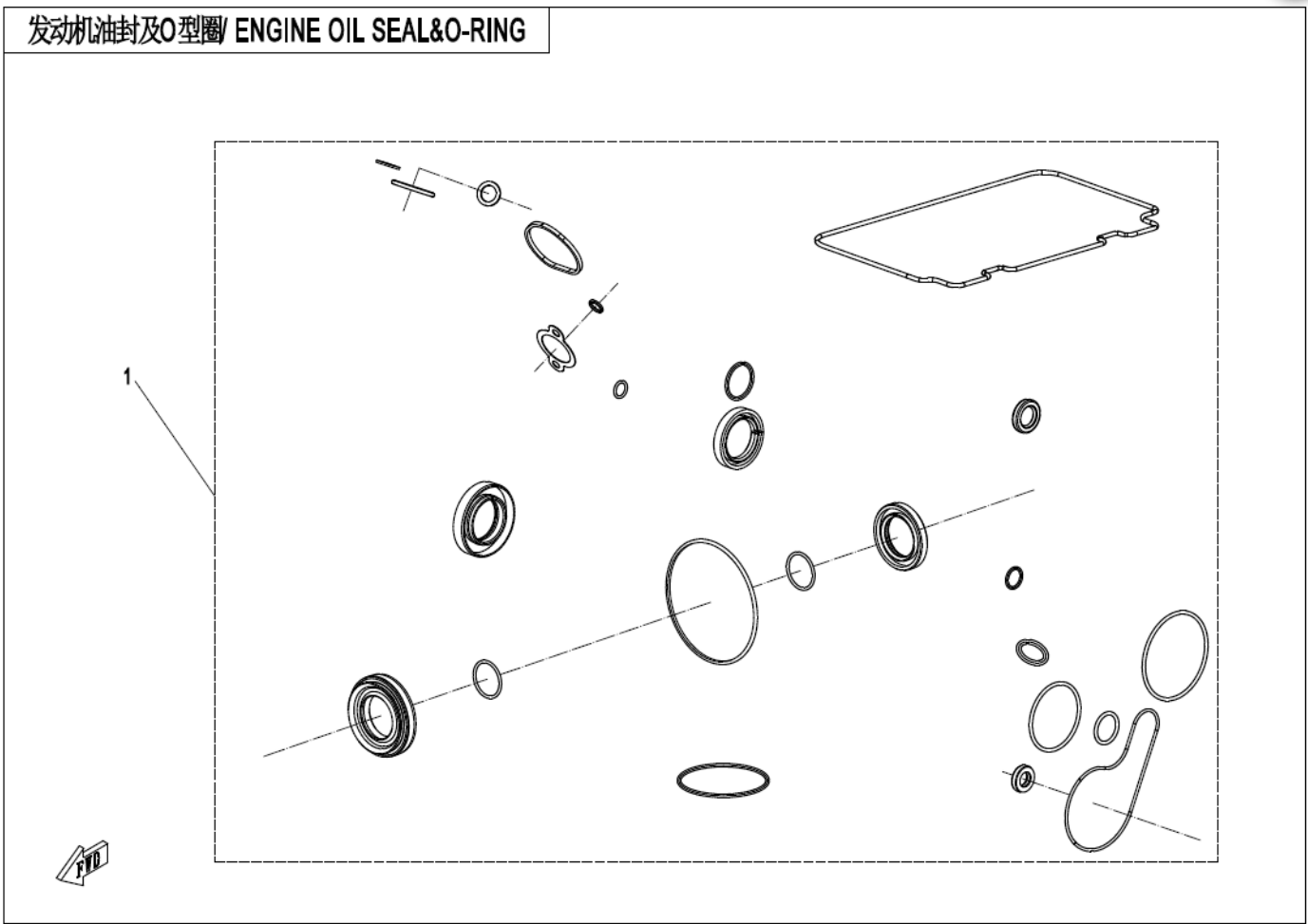
发动机垫片系列 ENGINE GASKET SET



### E29 ENGINE GASKET KIT

| Item No. | Parts Number      | Parts Name(EN)     | Qty | Specification |
|----------|-------------------|--------------------|-----|---------------|
| 01       | 0GS0-0000A0-00001 | GASKET KIT, ENGINE | 1   |               |

发动机油封及O型圈/ ENGINE OIL SEAL&O-RING



E30 ENGINE OIL SEAL &O-RING

| Item No. | Parts Number | Parts Name(EN)                     | Qty | Specification |
|----------|--------------|------------------------------------|-----|---------------|
| 01       | 0GS0-0000A1  | OIL SEAL & O-SEAL RING KIT, ENGINE | 1   |               |