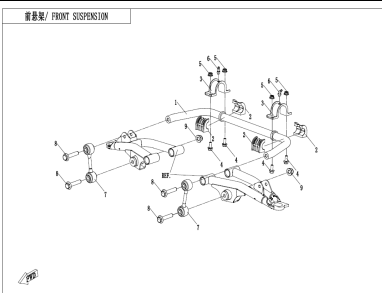
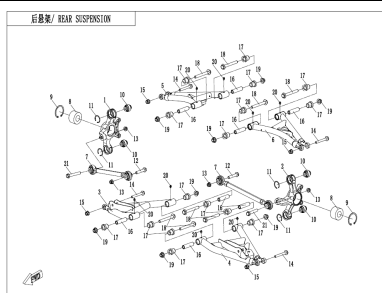
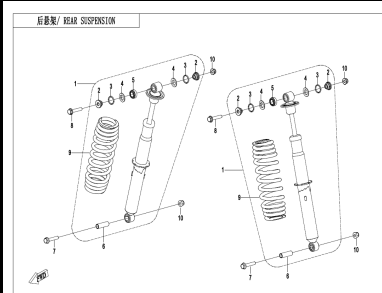
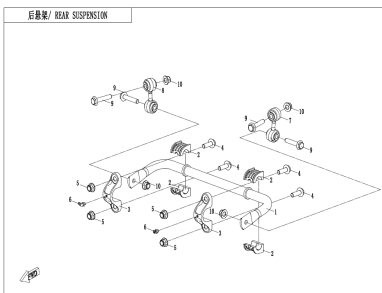
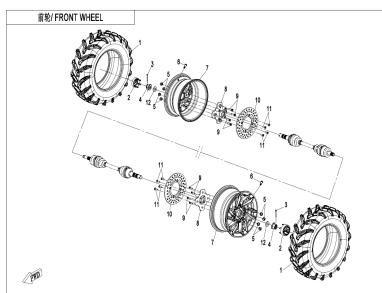
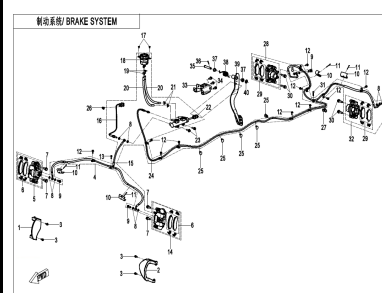
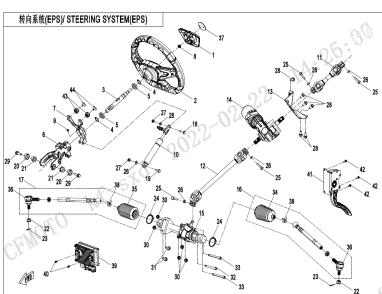
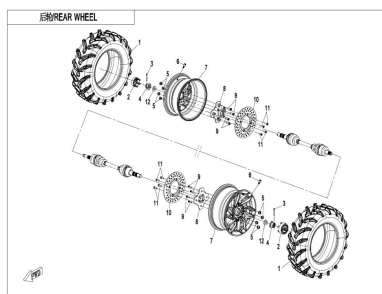
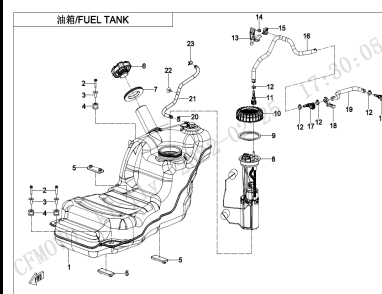
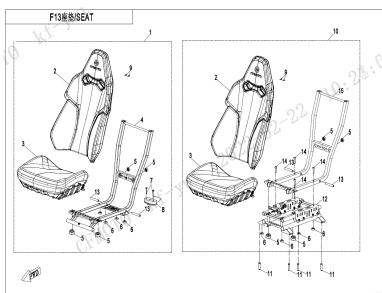
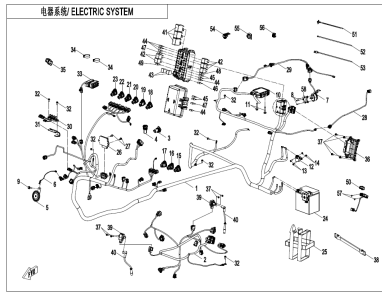
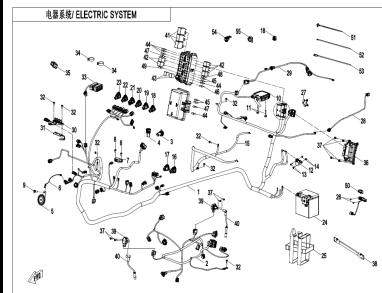


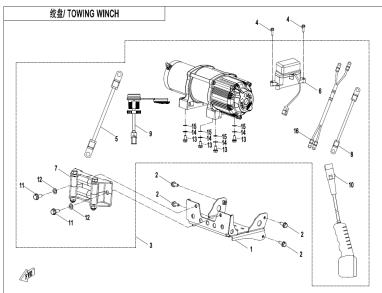
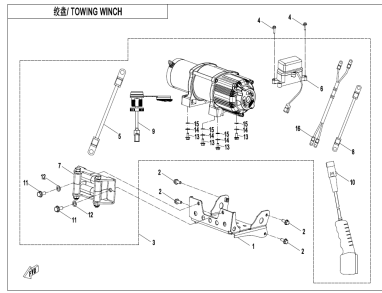
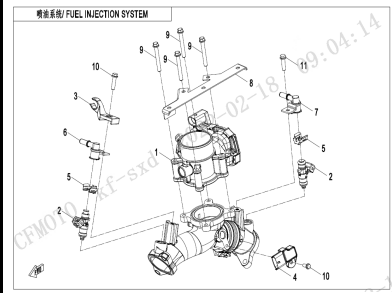
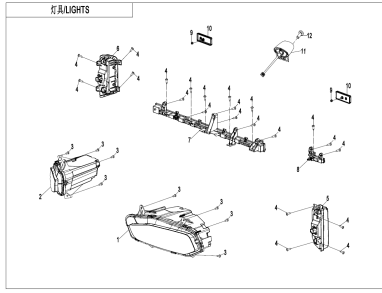
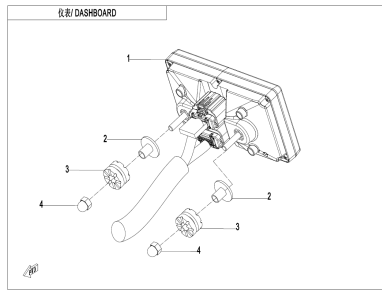
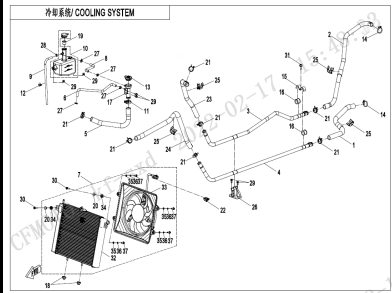
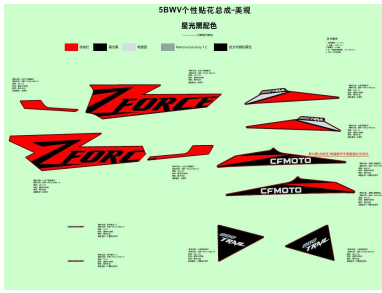
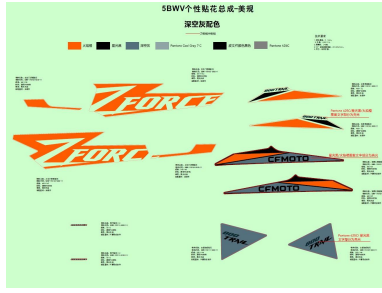
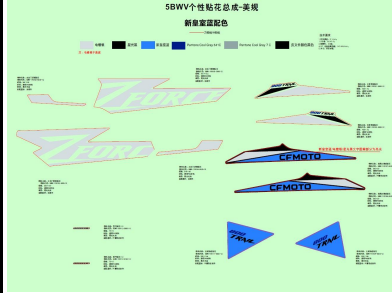
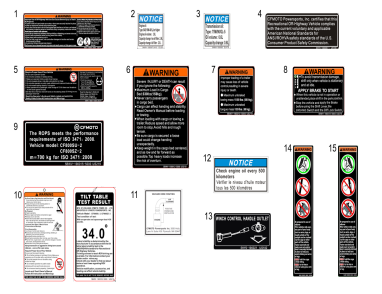

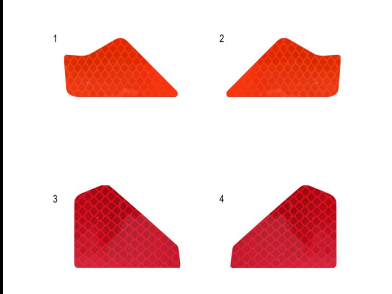
CONTENTS—FRAME GROUP

<p>F00-1</p> <p style="text-align: center;">ENGINE MOUNTING PARTS</p> <p style="font-size: small;">发动机装配图/ENGINE MOUNTING PARTS</p>	<p>F00-2</p> <p style="text-align: center;">CVT AIR PIPE</p> <p style="font-size: small;">CVT进气管/ CVT AIR PIPE</p>	<p>F01</p> <p style="text-align: center;">LOCK KIT</p> <p style="font-size: small;">锁具LOCK KIT</p>
<p>F02</p> <p style="text-align: center;">MUFFLER</p> <p style="font-size: small;">排气消声器/MUFFLER</p>	<p>F03</p> <p style="text-align: center;">FRAME</p> <p style="font-size: small;">车架FRAME</p>	<p>F04-1</p> <p style="text-align: center;">FRONT PLASTICS</p> <p style="font-size: small;">前塑料件/FRONT PLASTICS</p>
<p>F04-3</p> <p style="text-align: center;">MIDDLE PLASTICS</p> <p style="font-size: small;">中塑料件/MIDDLE PLASTICS</p>	<p>F04-4</p> <p style="text-align: center;">MIDDLE PLASTICS</p> <p style="font-size: small;">中塑料件/MIDDLE PLASTICS</p>	<p>F04-5</p> <p style="text-align: center;">REAR PLASTICS</p> <p style="font-size: small;">后塑料件/REAR PLASTICS</p>
<p>F04-6</p> <p style="text-align: center;">BOTTOM PLASTICS</p> <p style="font-size: small;">底塑料件/BOTTOM PLASTICS</p>	<p>F05-1</p> <p style="text-align: center;">FRONT SUSPENSION</p> <p style="font-size: small;">前悬架/FRONT SUSPENSION</p>	<p>F05-2</p> <p style="text-align: center;">FRONT SHOCK ABSORBER</p> <p style="font-size: small;">前减震器/FRONT SHOCK ABSORBER</p>



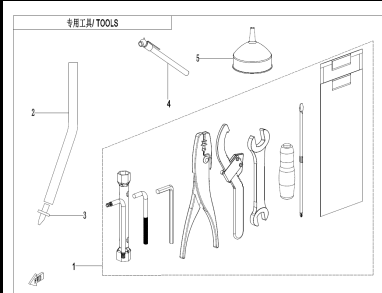
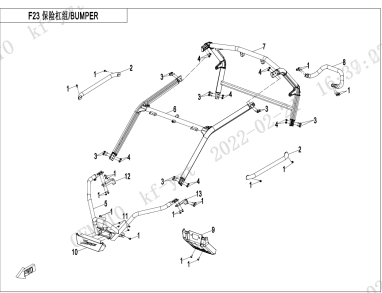
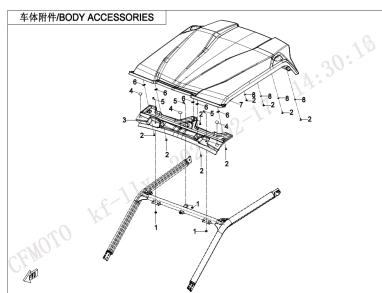
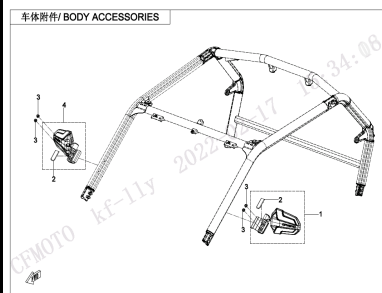
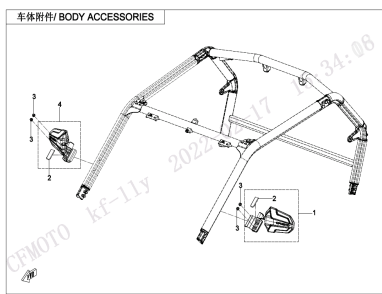
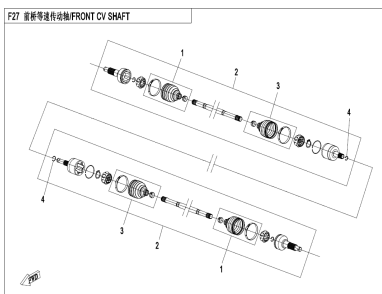
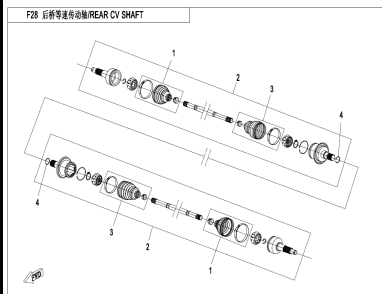
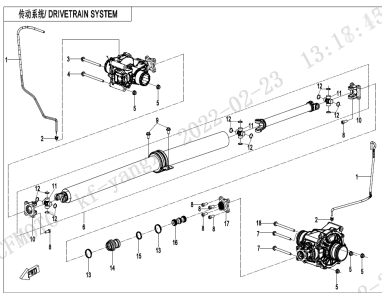
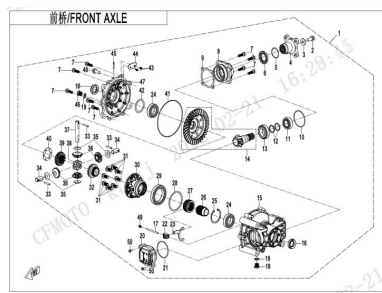
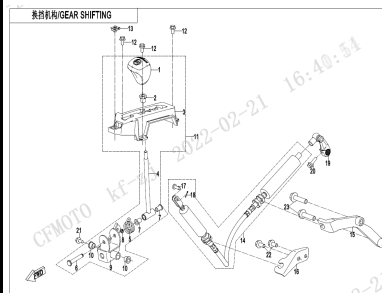
CONTENTS—FRAME GROUP

<p>F05-3</p> <p style="text-align: center;">FRONT SUSPENSION</p> <p style="text-align: center;">前懸架 / FRONT SUSPENSION</p> 	<p>F04-3-V1</p> <p style="text-align: center;">MIDDLE PLASTICS</p> <p style="text-align: center;">后懸架 / REAR SUSPENSION</p> 	<p>F06-2</p> <p style="text-align: center;">REAR SHOCK ABSORBER</p> <p style="text-align: center;">后懸架 / REAR SUSPENSION</p> 
<p>F06-3</p> <p style="text-align: center;">REAR SUSPENSION</p> <p style="text-align: center;">后懸架 / REAR SUSPENSION</p> 	<p>F07</p> <p style="text-align: center;">FRONT WHEEL</p> <p style="text-align: center;">前輪 / FRONT WHEEL</p> 	<p>F08</p> <p style="text-align: center;">BRAKE SYSTEM</p> <p style="text-align: center;">制動系統 / BRAKE SYSTEM</p> 
<p>F10</p> <p style="text-align: center;">STEERING SYSTEM (EPS)</p> <p style="text-align: center;">轉向系統(EPS) / STEERING SYSTEM(EPS)</p> 	<p>F11</p> <p style="text-align: center;">REAR WHEEL</p> <p style="text-align: center;">後輪 / REAR WHEEL</p> 	<p>F12</p> <p style="text-align: center;">FUEL TANK</p> <p style="text-align: center;">油箱 / FUEL TANK</p> 
<p>F13</p> <p style="text-align: center;">SEAT</p> <p style="text-align: center;">F13組裝 / SEAT</p> 	<p>F15-1-V1</p> <p style="text-align: center;">ELECTRIC SYSTEM</p> <p style="text-align: center;">電器系統 / ELECTRIC SYSTEM</p> 	<p>F15-1-V2 E</p> <p style="text-align: center;">ELECTRIC SYSTEM</p> <p style="text-align: center;">電器系統 / ELECTRIC SYSTEM</p> 



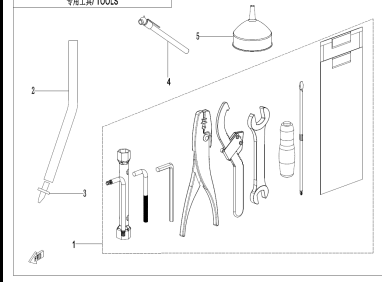
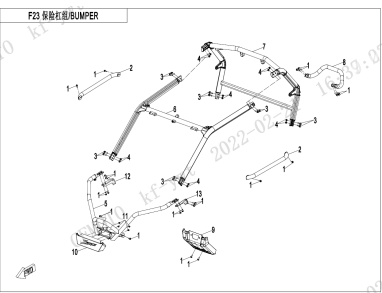
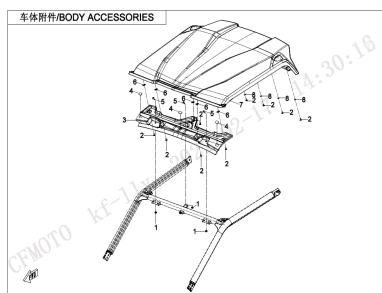
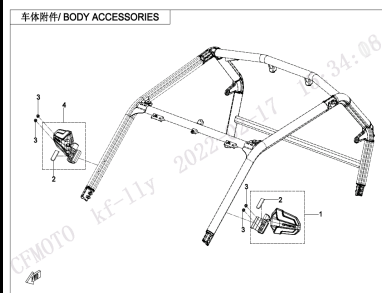
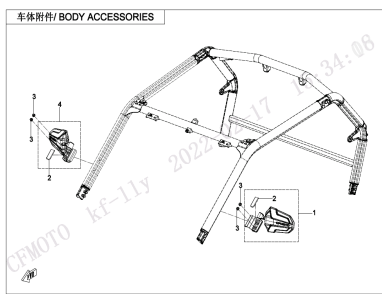
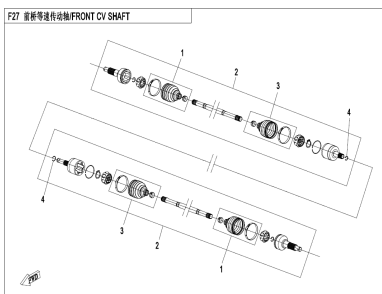
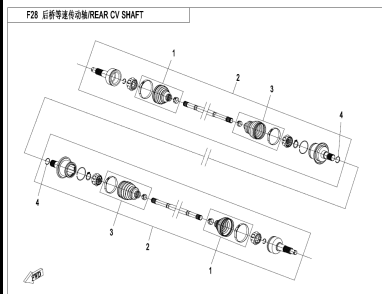
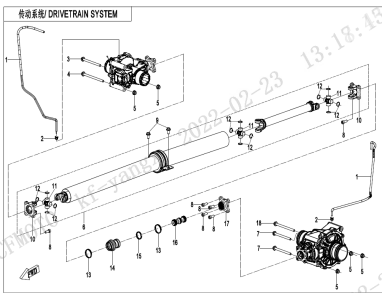
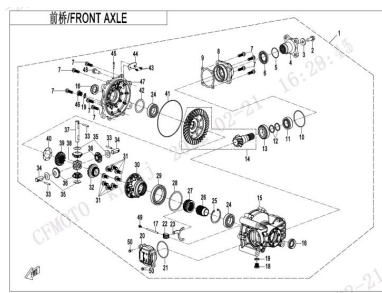
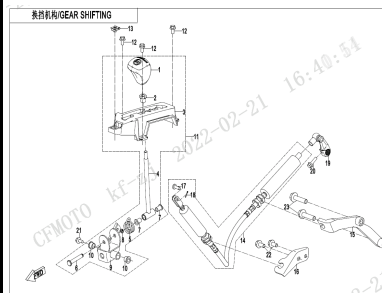
CONTENTS—FRAME GROUP

<p>F15-2-V1</p> <p style="text-align: center;">TOWING WINCH</p> 	<p>F15-2-V2</p> <p style="text-align: center;">TOWING WINCH</p> 	<p>F15-3</p> <p style="text-align: center;">FUEL INJECTION SYSTEM</p> 
<p>F16</p> <p style="text-align: center;">LIGHTS</p> 	<p>F17</p> <p style="text-align: center;">DASHBOARD</p> 	<p>F18</p> <p style="text-align: center;">COOLING SYSTEM</p> 
<p>F19-1-A</p> <p style="text-align: center;">DECAL (NEBULA BLACK)</p> 	<p>F19-1-B DECAL</p> <p style="text-align: center;">(GALAXY GREY)</p> 	<p>F19-1-C</p> <p style="text-align: center;">DECAL (NEW ROYAL BLUE)</p> 
<p>F19-2-A</p> <p style="text-align: center;">WARNING LABEL</p> 	<p>F19-2-B</p> <p style="text-align: center;">WARNING LABEL (CA)</p> 	<p>F13-1-B</p> <p style="text-align: center;">SEAT (HEATING EQUIPMENT)</p> 

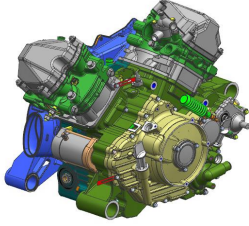
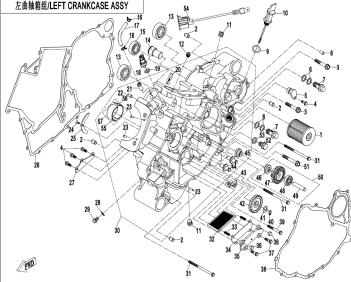
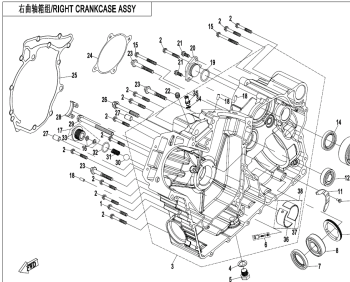
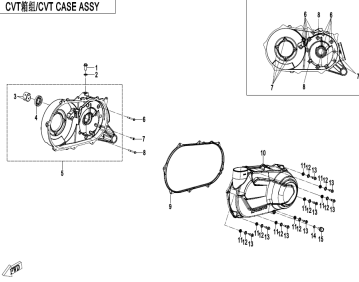
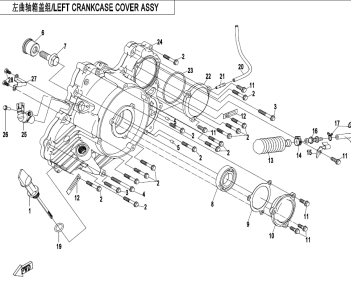
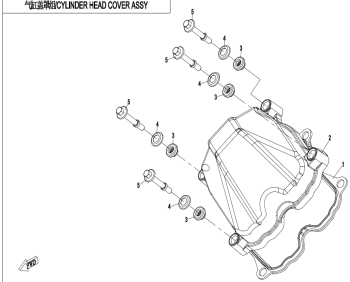
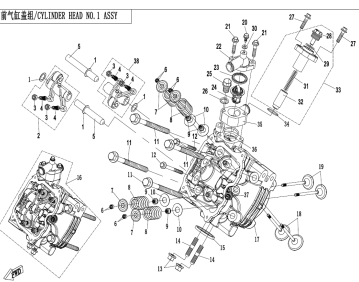
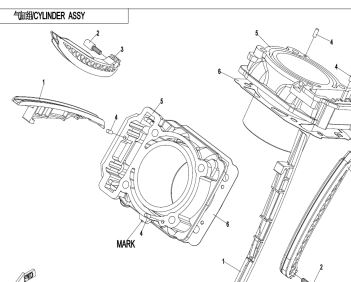
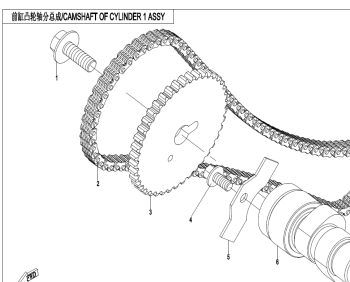
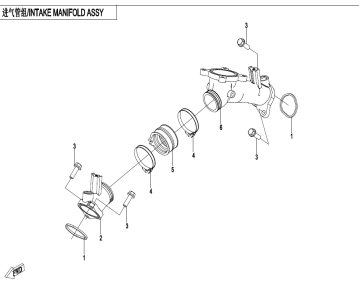
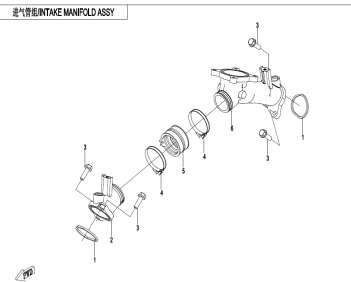
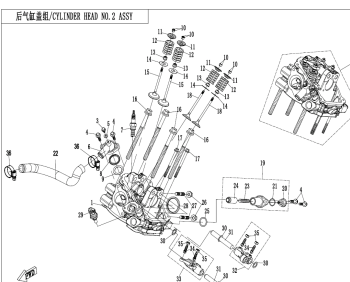
CONTENTS—FRAME GROUP

<p>F19-4-V1</p> <p style="text-align: center;">VEHICLE PLATE</p> 	<p>F19-4-V2</p> <p style="text-align: center;">VEHICLE PLATE</p> 	<p>F20</p> <p style="text-align: center;">TOOLS</p> 
<p>F23</p> <p style="text-align: center;">BUMPER</p> 	<p>F26-1</p> <p style="text-align: center;">BODY ACCESSORIES</p> 	<p>F26-2-V1</p> <p style="text-align: center;">BODY ACCESSORIES</p> 
<p>F26-2-V2</p> <p style="text-align: center;">BODY ACCESSORIES</p> 	<p>F27</p> <p style="text-align: center;">FRONT CV SHAFT</p> 	<p>F28</p> <p style="text-align: center;">REAR CV SHAFT</p> 
<p>F30</p> <p style="text-align: center;">DRIVETRAIN SYSTEM</p> 	<p>F31</p> <p style="text-align: center;">FRONT AXLE</p> 	<p>F32</p> <p style="text-align: center;">GEAR SHIFTING</p> 

CONTENTS—FRAME GROUP

<p>F19-4-V1</p> <p style="text-align: center;">VEHICLE PLATE</p> 	<p>F19-4-V2</p> <p style="text-align: center;">VEHICLE PLATE</p> 	<p>F20</p> <p style="text-align: center;">TOOLS</p> 
<p>F23</p> <p style="text-align: center;">BUMPER</p> 	<p>F26-1</p> <p style="text-align: center;">BODY ACCESSORIES</p> 	<p>F26-2-V1</p> <p style="text-align: center;">BODY ACCESSORIES</p> 
<p>F26-2-V2</p> <p style="text-align: center;">BODY ACCESSORIES</p> 	<p>F27</p> <p style="text-align: center;">FRONT CV SHAFT</p> 	<p>F28</p> <p style="text-align: center;">REAR CV SHAFT</p> 
<p>F30</p> <p style="text-align: center;">DRIVETRAIN SYSTEM</p> 	<p>F31</p> <p style="text-align: center;">FRONT AXLE</p> 	<p>F32</p> <p style="text-align: center;">GEAR SHIFTING</p> 

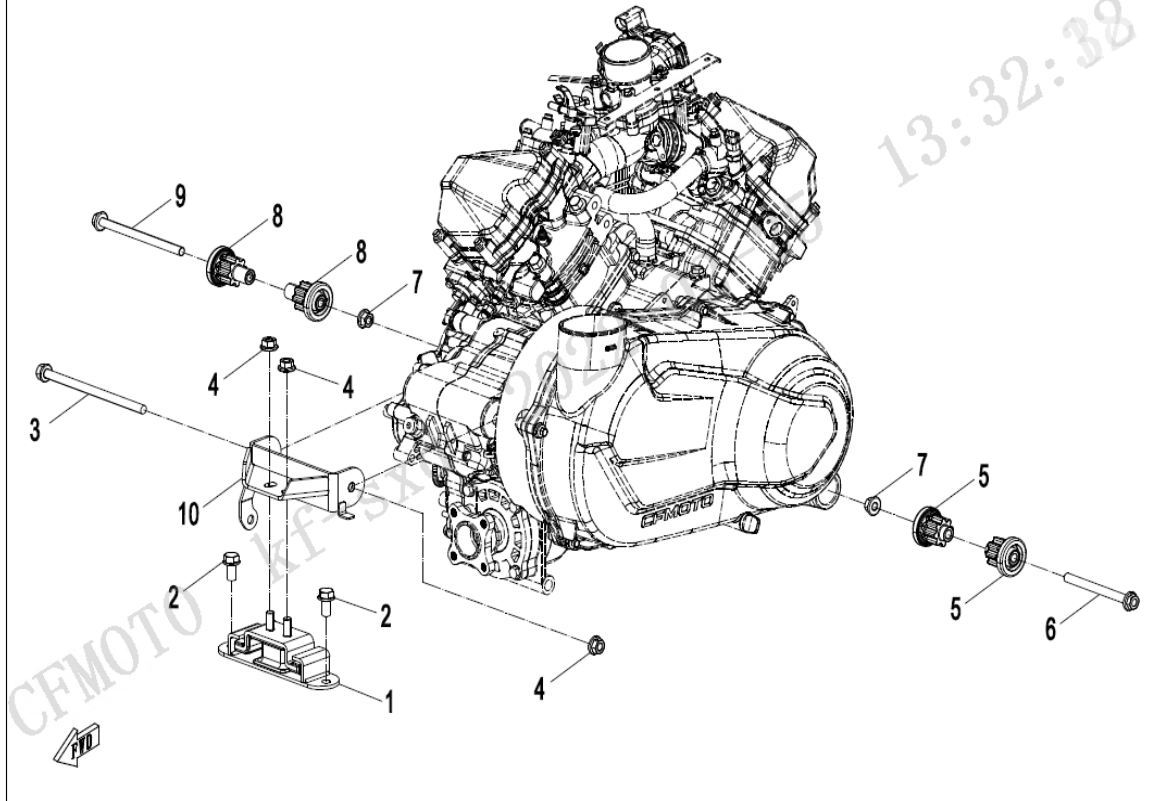
CONTENTS—ENGINE GROUP

<p>E00</p> <p style="text-align: center;">LONG BLOCK</p> 	<p>E01-1</p> <p style="text-align: center;">LEFT CRANKCASE ASSY</p> <p style="text-align: center;">左曲轴箱组/LEFT CRANKCASE ASSY</p> 	<p>E01-2</p> <p style="text-align: center;">RIGHT CRANKCASE ASSY</p> <p style="text-align: center;">右曲轴箱组/RIGHT CRANKCASE ASSY</p> 
<p>E01-3</p> <p style="text-align: center;">CVT CASE ASSY.</p> <p style="text-align: center;">CVT箱体组/ CVT CASE ASSY</p> 	<p>E01-4</p> <p style="text-align: center;">LEFT CRANKCASE COVER ASSY</p> <p style="text-align: center;">左曲轴箱盖组/LEFT CRANKCASE COVER ASSY</p> 	<p>E02-1</p> <p style="text-align: center;">CYLINDER HEAD COVER ASSY</p> <p style="text-align: center;">气缸盖罩组/CYLINDER HEAD COVER ASSY</p> 
<p>E02-2</p> <p style="text-align: center;">CYLINDER HEAD NO.1 ASSY</p> <p style="text-align: center;">气缸盖罩组/CYLINDER HEAD NO.1 ASSY</p> 	<p>E02-3</p> <p style="text-align: center;">CYLINDER BODY ASSY</p> <p style="text-align: center;">气缸缸体组/CYLINDER ASSY</p> 	<p>E02-4</p> <p style="text-align: center;">CAMSHAFT OF CYLINDER 1 ASSY</p> <p style="text-align: center;">气缸盖罩组/CAMSHAFT OF CYLINDER 1 ASSY</p> 
<p>E02-5-A</p> <p style="text-align: center;">INTAKE MANIFOLD ASSY (FOR FUEL VAPO SYSTEM)</p> <p style="text-align: center;">进气管组/INTAKE MANIFOLD ASSY</p> 	<p>E02-5-B</p> <p style="text-align: center;">INTAKE MANIFOLD ASSY (WHITOUT FUEL VAPO SYSTEM)</p> <p style="text-align: center;">进气管组/INTAKE MANIFOLD ASSY</p> 	<p>E02-6</p> <p style="text-align: center;">CYLINDER HEAD NO.2 ASSY</p> <p style="text-align: center;">后气缸盖组/CYLINDER HEAD NO.2 ASSY</p> 

CONTENTS—ENGINE GROUP

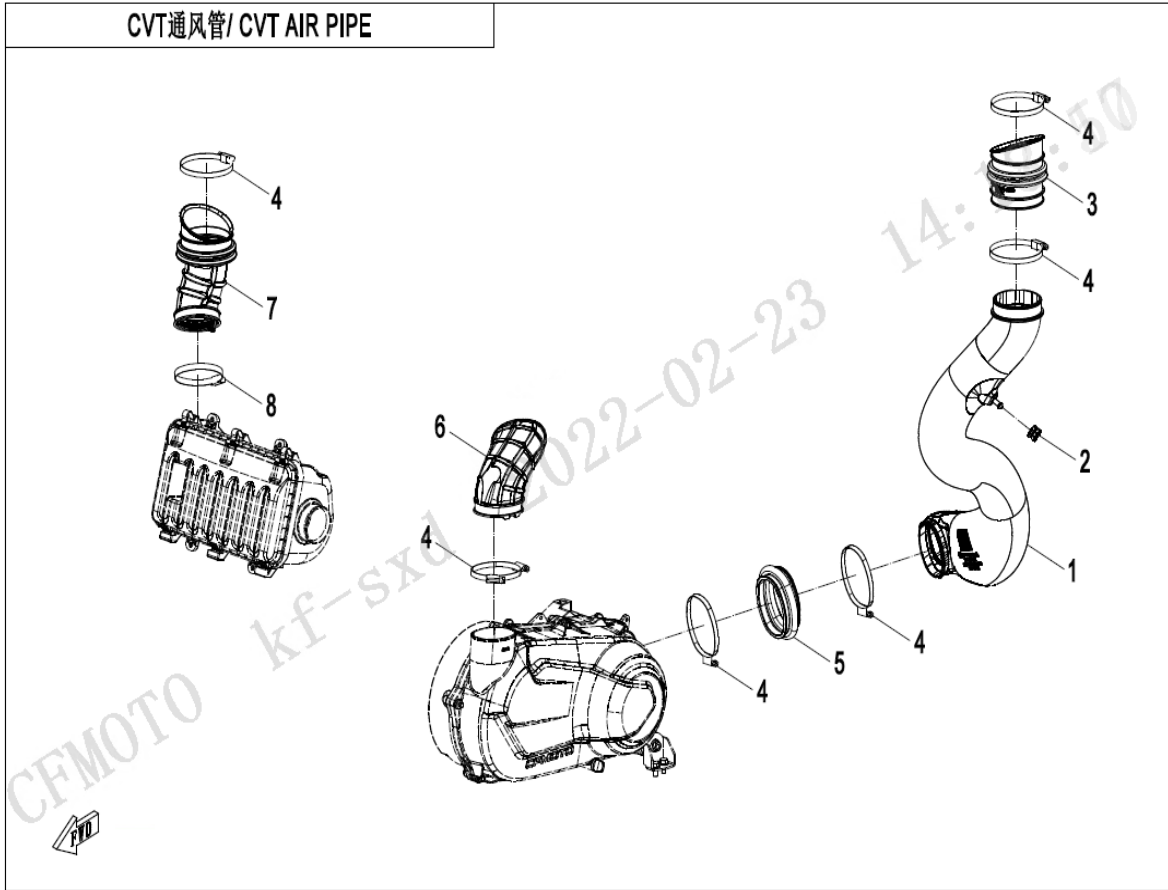
<p>E02-7</p> <p style="text-align: center;">CAMSHAFT OF CYLINDER 2 ASSY</p>	<p>E03</p> <p style="text-align: center;">MAGNETO ASSY.(EPS)</p>	<p>E04</p> <p style="text-align: center;">CRANKSHAFT & CONNECTING ROD & PISTON ASSY</p>
<p>E05</p> <p style="text-align: center;">CVT ASSY</p>	<p>E06-1</p> <p style="text-align: center;">TRANSMISSION SYSTEM(1)</p>	<p>E06-2</p> <p style="text-align: center;">TRANSMISSION SYSTEM(2)</p>
<p>E06-3</p> <p style="text-align: center;">TRANSMISSION SYSTEM(3)</p>	<p>E07-1</p> <p style="text-align: center;">OIL PUMP ASSY</p>	<p>E07-2</p> <p style="text-align: center;">OIL COOLING SYSTEM</p>
<p>E08</p> <p style="text-align: center;">WATER PUMP ASSY.</p>	<p>E09</p> <p style="text-align: center;">STARTING SYSTEM</p>	<p>E29</p> <p style="text-align: center;">ENGINE GASKET SET</p>
<p>E30</p> <p style="text-align: center;">ENGINE OIL SEAL & O-RING SET</p>		

发动机装配组合/ ENGINE MOUNTING PARTS



F00-1 ENGINE MOUNTING PARTS

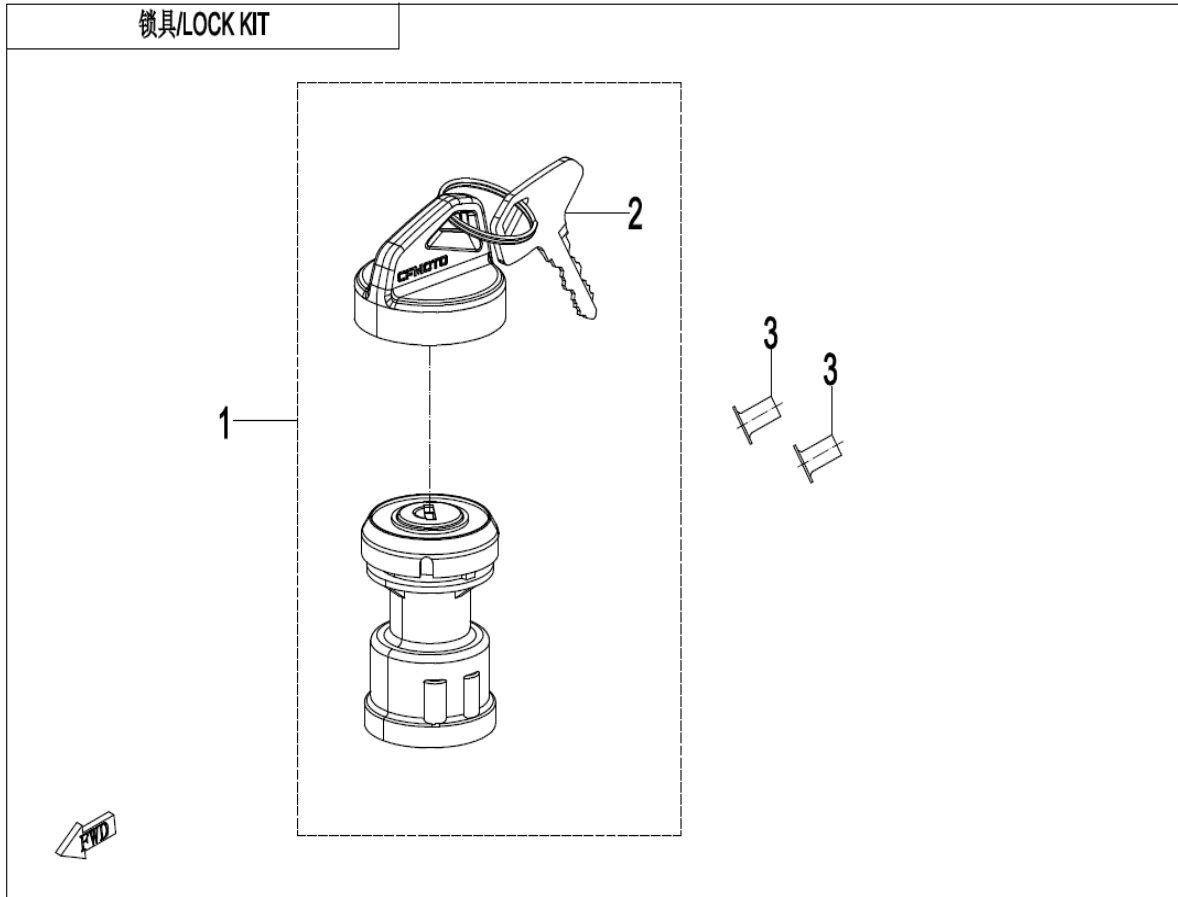
Item No.	Parts Number	Parts Name(EN)	Qty	Specification
01	5BWV-000200-5000	FRONT BRACKET, ENGINE	1	
02	30006-102020810	BOLT M10x1.25x20	2	M10x1.25x20
03	30001-102170110	BOLT M10x1.25x170	1	M10x1.25x170
04	30204-102810	NUT M10x1.25	3	M10x1.25
05	5BWV-000110-5000	LH DAMPING SLEEVE, ENGINE	2	
06	30006-102110110	BOLT M10x1.25x110	1	M10x1.25x110
07	30204-102110	NUT M10x1.25	2	M10x1.25
08	5BWV-000120-5000	RH DAMPING SLEEVE, ENGINE	2	
09	30006-102140810	BOLT M10x1.25x140	1	M10x1.25x140
10	5BWV-030080-5000	FRONT BRACKET, ENGINE	1	



F00-2 CVT AIR PIPE

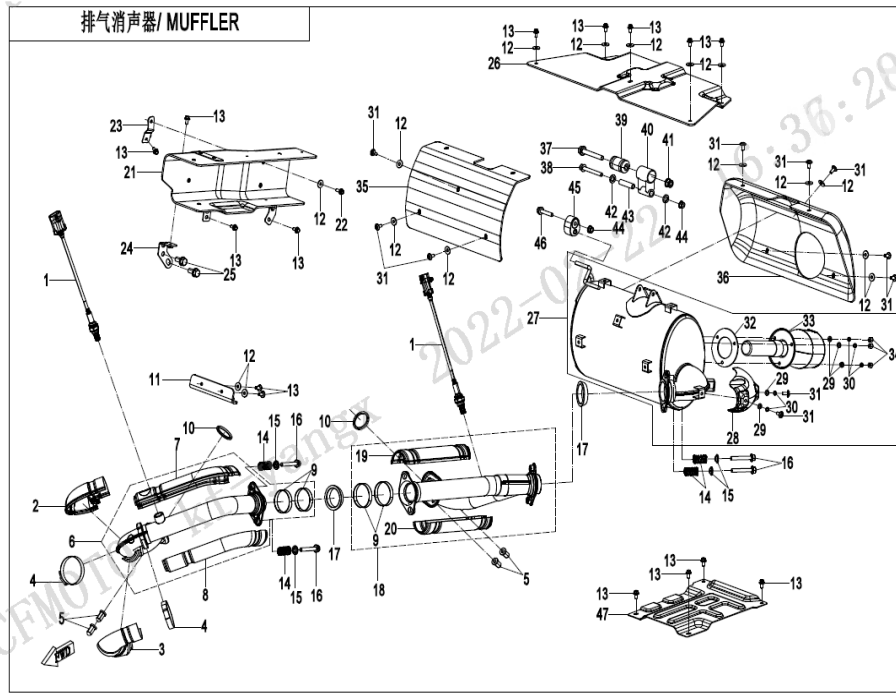
Item No.	Parts Number	Parts Name(EN)	Qty	Specification
01	5BWV-000201-5000	CVT AIR INLET PIPE	1	
02	5020-031001	RUBBER SLEEVE, FRONT LICENSE BRACKET	1	
03	5BWV-002102-5000	JOINT, CVT AIR INLET PIPE	1	
04	9010-000105	A-TYPE SCREW CLAMP 78-101	6	78-101
05	5ASV-002002-6000	AIR INLET PIPE JOINT, CVT	1	
06	5BWV-000202-5000	AIR OUTLET PIPE, CVT	1	
07	5BWV-000205-5000	AIR INLET PIPE, AIR FILTER	1	
08	9010-020007	A-TYPE SCREW CLAMP	1	50-70

锁具/LOCK KIT



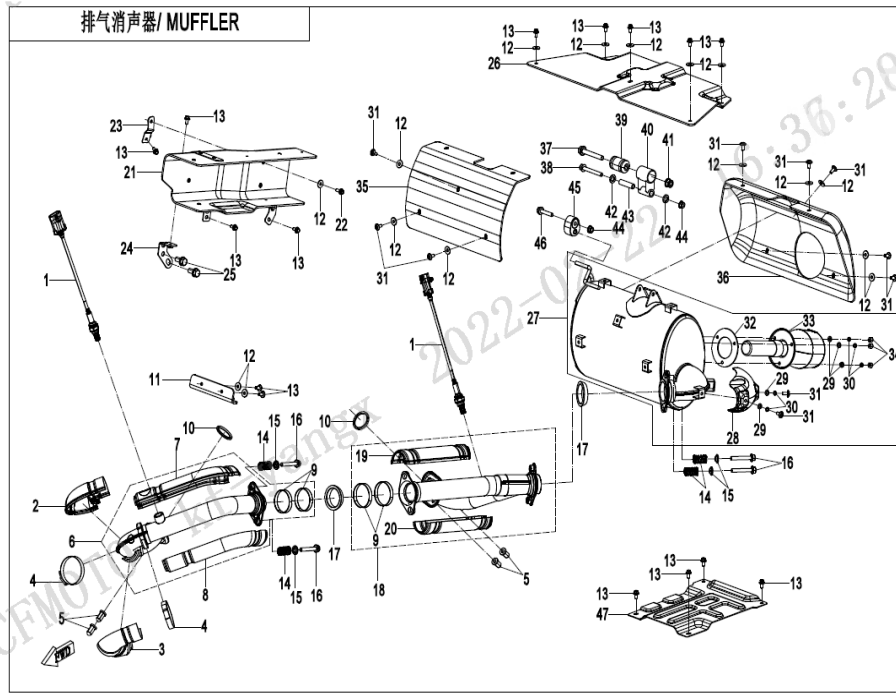
F01 LOCK KIT

Item No.	Parts Number	Parts Name(EN)	Qty	Specification
01	5ASV-011000-6000	LOCK KIT	1	
01	5ASV-011000-6001	LOCK KIT	1	
02	5ASV-011070-6000	BLANK KEY	1	
03	30107-060012410	SCREW M6x12	2	M6x12



F02 MUFFLER

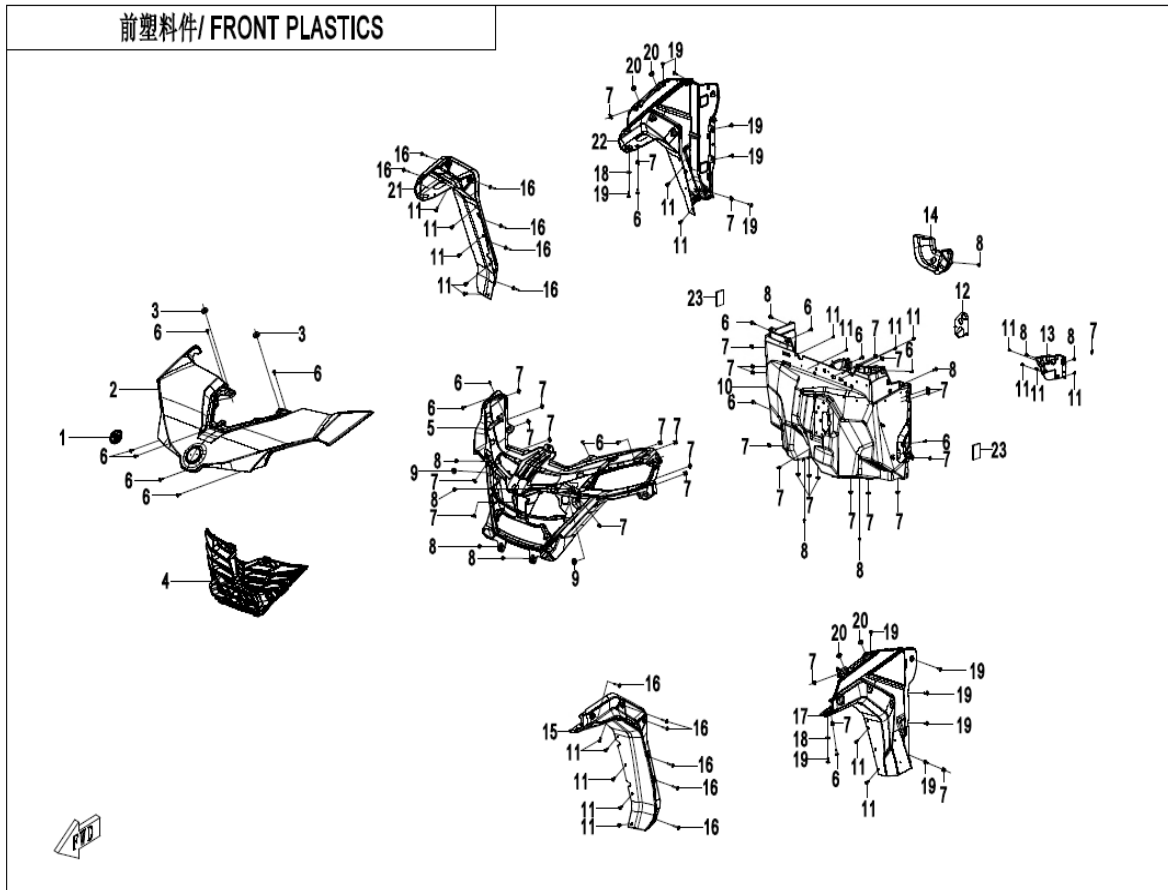
Item No.	Parts Number	Parts Name(EN)	Qty	Specification
1	0HU0-176000	OXYGEN SENSOR	2	
2	5BWV-021103-5000	HEAT INSULATOR 3, FRONT EXHAUST PIPE	1	
3	5BWV-021104-5000	HEAT INSULATOR 4, FRONT EXHAUST PIPE	1	
4	9010-020007	A-TYPE SCREW CLAMP	2	50-70
5	8010-020001	NUT M8, MUFFLER JOINT	4	M8
6	5BWV-021100-5000	FRONT EXHAUST PIPE ASSY	1	
7	5BWV-021101-5000	HEAT INSULATOR 1, FRONT EXHAUST PIPE	1	
8	5BWV-021102-5000	HEAT INSULATOR 2, FRONT EXHAUST PIPE	1	
9	7030-021305	SCREW CLAMP, A-TYPE	4	
10	0800-022300	BUSHING, EXHAUST PIPE	2	
11	5BWV-020009-5000	HEAT INSULATOR, CABLE	1	
12	30309-060900	WASHER	16	
13	30006-060012810	BOLT M6x12	15	M6x12
14	9AWA-021001	SPRING, MUFFLER	4	
15	9AWA-021005	BUSHING	4	
16	9AWA-021002-10000	BOLT M8x55	4	M8x55
17	9AWA-021004-00001	GRAPHITE RING, BIG	2	
17	9AWA-021004-00002	GRAPHITE RING, BIG	2	
18	5BWV-021200-5000	REAR EXHAUST PIPE ASSY	1	
19	5BWV-021201-5000	HEAT INSULATOR 1, REAR EXHAUST PIPE	1	
20	5BWV-021202-5000	HEAT INSULATOR 2, REAR EXHAUST PIPE	1	
21	5BWV-020010-5000	HEAT INSULATOR, EXHAUST PIPE	1	
22	30006-060016810	BOLT M6x16	1	M6x16
23	5BWV-020005-5000	ADAPTER BRACKET 2	1	
24	5BWV-020004-5000	ADAPTER BRACKET 1	1	
25	30006-103020810	BOLT M10x20	2	M10x20
26	5BWV-020003-5000	HEAT INSULATOR, CARGO BOX	1	
27	5BWV-021300-5000	MUFFLER ASSY	1	
27	5BWV-021300-5200	MUFFLER ASSY	1	
28	5BWV-021301-5000	HEAT INSULATOR, MUFFLER	1	
29	30306-060800	WASHER 6	5	6
30	30303-060900	WASHER	5	6
31	A000-040702	INNER HEX SCREW M6x12	10	M6x12
32	5BY2-021001	SEAL GASKET	1	
33	5BWV-021350-5000	SPARK ARRESTER	1	
34	30206-060500	CAP NUT	3	
35	5BWV-020008-5000	REAR HEAT INSULATOR, MUFFLER	1	
36	5BWV-020007-5000	FRONT HEAT INSULATOR, MUFFLER	1	
37	30006-102070810	BOLT M10x1.25x70	1	M10x1.25x70
38	30006-080065810	BOLT	1	M8x65
39	9010-050500	CUSHION SLEEVE	1	
40	9CR6-020020	MOUNT ASSY, MUFFLER	1	
41	30204-102110	NUT M10x1.25	1	M10x1.25
42	9CR6-020003	WIRE WASHER	2	
43	7020-020001	LINER, MUFFLER	1	
44	30204-080810	NUT M8	2	M8
45	5BWV-020006-5000	RUBBER HANGING PART	1	
45	5BWV-020006-5001	RUBBER HANGING PART	1	
46	30006-080040810	BOLT M8x40	1	M8x40
47	5BWV-020002-5000	LOWER HEAT INSULATOR, MUFFLER	1	



F02 MUFFLER

Item No.	Parts Number	Parts Name(EN)	Qty	Specification
1	0HU0-176000	OXYGEN SENSOR	2	
2	5BWV-021103-5000	HEAT INSULATOR 3, FRONT EXHAUST PIPE	1	
3	5BWV-021104-5000	HEAT INSULATOR 4, FRONT EXHAUST PIPE	1	
4	9010-020007	A-TYPE SCREW CLAMP	2	50-70
5	8010-020001	NUT M8, MUFFLER JOINT	4	M8
6	5BWV-021100-5000	FRONT EXHAUST PIPE ASSY	1	
7	5BWV-021101-5000	HEAT INSULATOR 1, FRONT EXHAUST PIPE	1	
8	5BWV-021102-5000	HEAT INSULATOR 2, FRONT EXHAUST PIPE	1	
9	7030-021305	SCREW CLAMP, A-TYPE	4	
10	0800-022300	BUSHING, EXHAUST PIPE	2	
11	5BWV-020009-5000	HEAT INSULATOR, CABLE	1	
12	30309-060900	WASHER	16	
13	30006-060012810	BOLT M6x12	15	M6x12
14	9AWA-021001	SPRING, MUFFLER	4	
15	9AWA-021005	BUSHING	4	
16	9AWA-021002-10000	BOLT M8x55	4	M8x55
17	9AWA-021004-00001	GRAPHITE RING, BIG	2	
17	9AWA-021004-00002	GRAPHITE RING, BIG	2	
18	5BWV-021200-5000	REAR EXHAUST PIPE ASSY	1	
19	5BWV-021201-5000	HEAT INSULATOR 1, REAR EXHAUST PIPE	1	
20	5BWV-021202-5000	HEAT INSULATOR 2, REAR EXHAUST PIPE	1	
21	5BWV-020010-5000	HEAT INSULATOR, EXHAUST PIPE	1	
22	30006-060016810	BOLT M6x16	1	M6x16
23	5BWV-020005-5000	ADAPTER BRACKET 2	1	
24	5BWV-020004-5000	ADAPTER BRACKET 1	1	
25	30006-103020810	BOLT M10x20	2	M10x20
26	5BWV-020003-5000	HEAT INSULATOR, CARGO BOX	1	
27	5BWV-021300-5000	MUFFLER ASSY	1	
27	5BWV-021300-5200	MUFFLER ASSY	1	
28	5BWV-021301-5000	HEAT INSULATOR, MUFFLER	1	
29	30306-060800	WASHER 6	5	6
30	30303-060900	WASHER	5	6
31	A000-040702	INNER HEX SCREW M6x12	10	M6x12
32	5BY2-021001	SEAL GASKET	1	
33	5BWV-021350-5000	SPARK ARRESTER	1	
34	30206-060500	CAP NUT	3	
35	5BWV-020008-5000	REAR HEAT INSULATOR, MUFFLER	1	
36	5BWV-020007-5000	FRONT HEAT INSULATOR, MUFFLER	1	
37	30006-102070810	BOLT M10x1.25x70	1	M10x1.25x70
38	30006-080065810	BOLT	1	M8x65
39	9010-050500	CUSHION SLEEVE	1	
40	9CR6-020020	MOUNT ASSY, MUFFLER	1	
41	30204-102110	NUT M10x1.25	1	M10x1.25
42	9CR6-020003	WIRE WASHER	2	
43	7020-020001	LINER, MUFFLER	1	
44	30204-080810	NUT M8	2	M8
45	5BWV-020006-5000	RUBBER HANGING PART	1	
45	5BWV-020006-5001	RUBBER HANGING PART	1	
46	30006-080040810	BOLT M8x40	1	M8x40
47	5BWV-020002-5000	LOWER HEAT INSULATOR, MUFFLER	1	

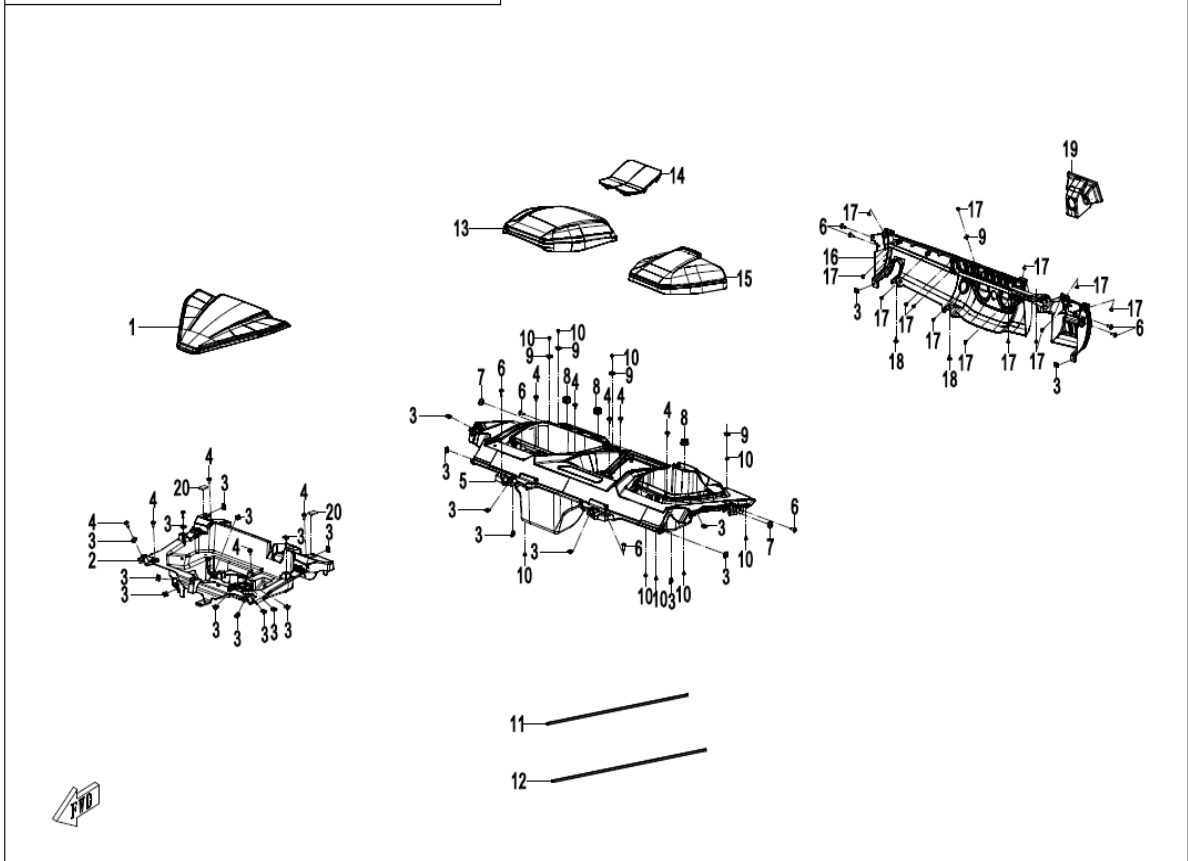
前塑料件/ FRONT PLASTICS



F04-1 FRONT PLASTICS

Item No.	Parts Number	Parts Name(EN)	Qty	Specification
1	5ASV-190001-6000	CFMOTO LOGO	1	
2	5BWV-041041-5000-0BM00	FRONT TOP COVER	1	NEBULA BLACK
2	5BWV-041041-5000-0EC00	FRONT TOP COVER	1	ROYAL BLUE
2	5BWV-041041-5000-0HD00	FRONT TOP COVER	1	GALAXY GREY
3	5HY#-130002-1000	BACKREST DAMPING MAT	2	
4	5BWV-041012-5000	MIDDLE NET	1	
5	5BWV-041021-5000	HEADLIGHT PANEL	1	
6	5BWV-040008-5000	INNER HEX BOLT M6x20	18	M6x20
7	8030-040800-00001	NUT CLIP M6	34	M6
8	5BWV-040001-5000	INNER HEX BOLT M6x14	11	M6x14
9	7020-040209	FIXING RUBBER BUSHING	2	
10	5BWV-043041-5000	FRONT FENDER	1	
10	5BWV-043041-5001	FRONT FENDER	1	
11	9060-040310	PLASTIC CLIPS	22	
12	5BWV-043043-5000	RUBBER PAD, FRONT FENDER	1	
13	5BWV-043042-5000	FRONT FENDER, SMALL	1	
13	5BWV-043042-5001	FRONT FENDER, SMALL	1	
14	5BWV-043044-5100	EPS GUARD	1	
15	5BWV-041061-5000	LH FRONT WIDENED FENDER	1	
16	5BWV-040006-5000	INNER HEX SLEF-TAPPING SCREW ST4.8x40	12	ST4.8x40
17	5BWV-041051-5000	FRONT LH DECO PLATE	1	
18	30301-060470	RETAINER	2	
19	6WVV-046902-5000	INNER HEX SCREW M6x20	12	
20	5BYO-040010	RUBBER SLEEVE	4	
21	5BWV-041062-5000	RH FRONT WIDENED FENDER	1	
22	5BWV-041052-5000	FRONT RH DECO PLATE	1	
23	6KM#-040066-8001	SPONGE STRAP	2	

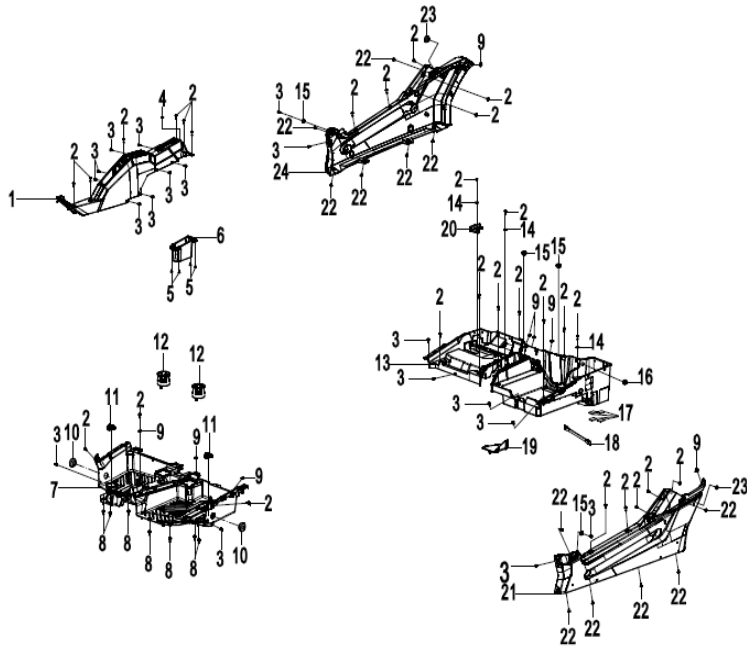
前塑料件/ FRONT PLASTICS



F04-2 FRONT PLASTICS

Item No.	Parts Number	Parts Name(EN)	Qty	Specification
1	5BWV-041032-5000	FRONT SERVICE COVER	1	
2	5BWV-041031-5000	FRONT INNER LOCK PANEL	1	
3	8030-040800-00001	NUT CLIP M6	23	M6
4	5BWV-040001-5000	INNER HEX BOLT M6x14	9	M6x14
5	5BWV-043011-5000	DASHBOARD UPPER BODY	1	
6	5BWV-040008-5000	INNER HEX BOLT M6x20	8	M6x20
7	5BY0-040010	RUBBER SLEEVE	2	
8	5BYV-041033-1000	RUBBER, SERVICE COVER	3	
9	8010-000002	TOOL	5	ST4.2
10	5BWV-040015-5000	INNER HEX SLEF-TAPPING SCREW ST4.8x13	6	ST4.8x13
11	5BWV-043014-5000	SEAT STRAP, DRIVER STORAGE BOX	1	
12	5BWV-043015-5000	SEAT STRAP, PASSENGER STORAGE BOX	1	
13	5BWV-043013-5000	STORAGE BOX COVER, PASSENGER SEAT	1	
14	5BWV-043017-5000	SERVICE COVER, SIWTCH	1	
15	5BWV-043012-5000	STORAGE BOX COVER, DRIVER SEAT	1	
16	5BWV-043031-5000	DASHBOARD LOWER BODY	1	
16	5BWV-043031-5001	DASHBOARD, LOWER	1	
17	5BWV-040015-5000	INNER HEX SLEF-TAPPING SCREW ST4.8x13	14	ST4.8x13
18	5BWV-040001-5000	INNER HEX BOLT M6x14	2	M6x14
19	5BWV-043081-5000	DASHBOARD GUARD	1	
20	6KM#-040066-8000	SPONGE STRAP	2	

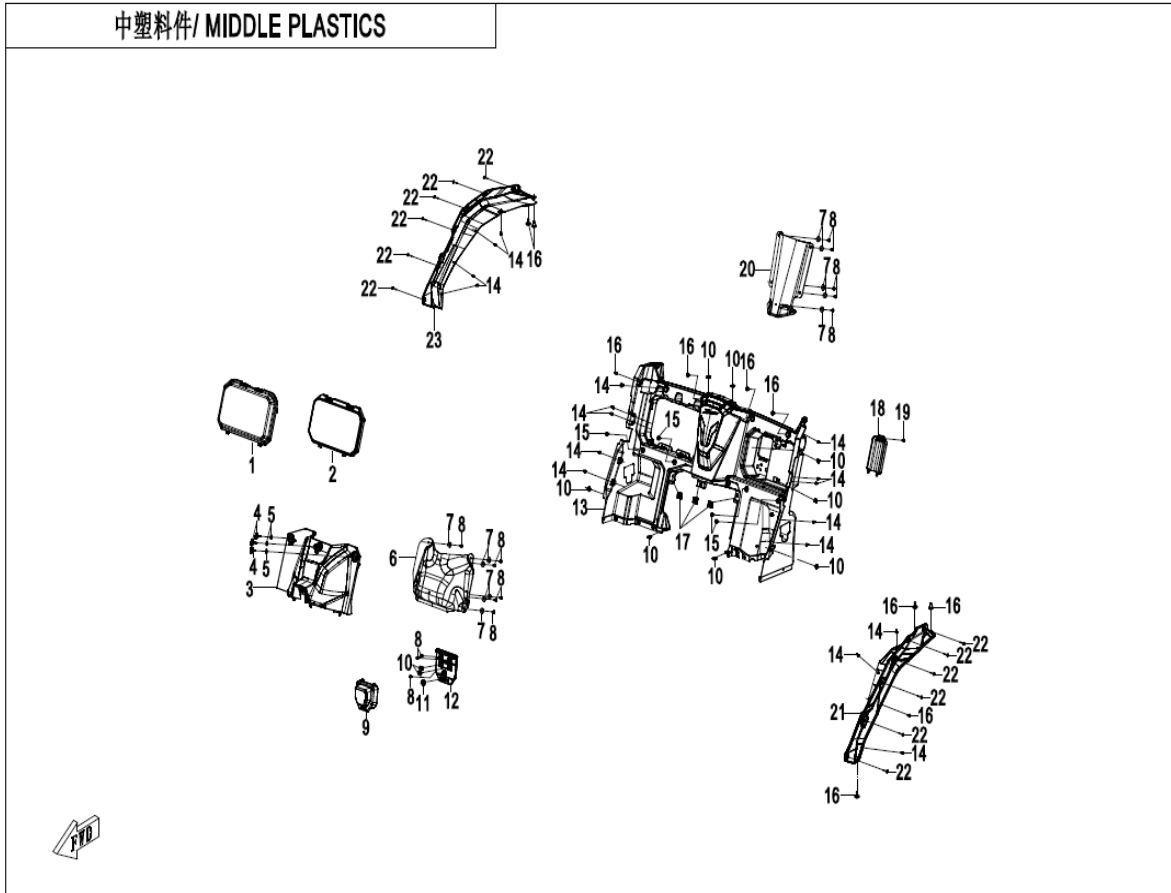
中塑料件/ MIDDLE PLASTICS



F04-3 MIDDLE PLASTICS

Item No.	Parts Number	Parts Name(EN)	Qty	Specification
1	5BWV-042043-5000	MIDDLE COVER	1	
2	5BWV-040008-5000	INNER HEX BOLT M6x20	29	M6x20
3	9060-040310	PLASTIC CLIPS	18	
4	7020-040209	FIXING RUBBER BUSHING	1	
5	5BWV-040016-5000	INNER HEX SLEF-TAPPING SCREW ST4.8x16	4	ST4.8x16
6	5BWV-042044-5000	MIDDLE STORAGE BOX	1	
7	5BWV-043051-5000	PEDAL	1	
8	5BWV-040007-5000	BOLT	7	M6x20
9	8030-040800-00001	NUT CLIP M6	8	M6
10	5BY0-041055	PLUG, FRONT SIDE PANEL	2	
11	5BY0-042032	PLUG, PEDAL	2	
12	5BWV-043055-5000	BUSHING, CUP HOLDER	2	
13	5BWV-043056-5000	GUARD, FUEL TANK	1	
14	30301-060470	RETAINER	4	
15	5BY0-040010	RUBBER SLEEVE	4	
16	5BYV-806114-1000	PLUG	1	
17	9010-120008	FUEL TANK SPONGE	4	
18	7030-040910	TIE BAND, BATTERY	1	
19	5BWV-043053-5000	CAP, GEARSHIFT	1	
20	5BWV-043052-5000	SERVICE COVER, SIDE BUMPER	1	
21	5BWV-042023-5000	LH SIDE PANEL	1	
22	5BWV-040001-5000	INNER HEX BOLT M6x14	12	M6x14
23	7020-040209	FIXING RUBBER BUSHING	2	
24	5BWV-042024-5000	RH SIDE PANEL	1	

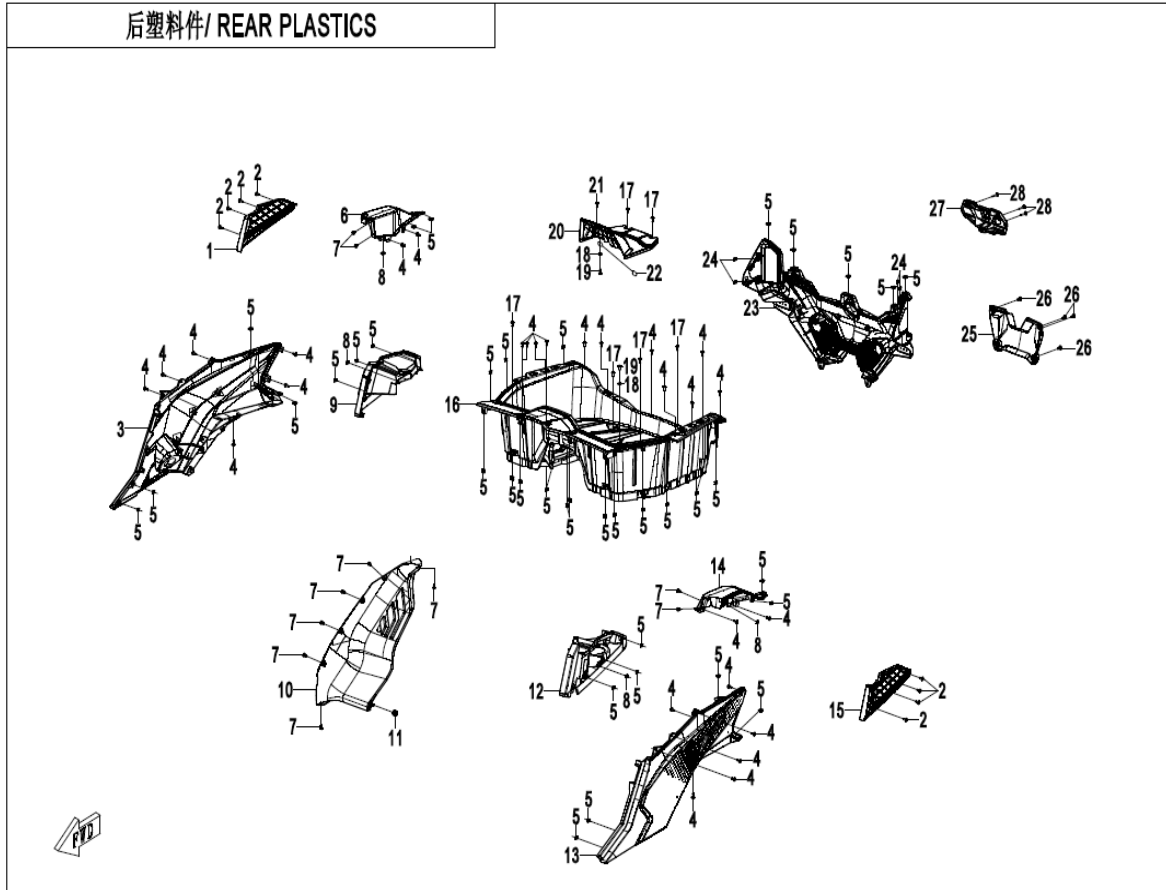
中塑料件/ MIDDLE PLASTICS



F04-4 MIDDLE PLASTICS

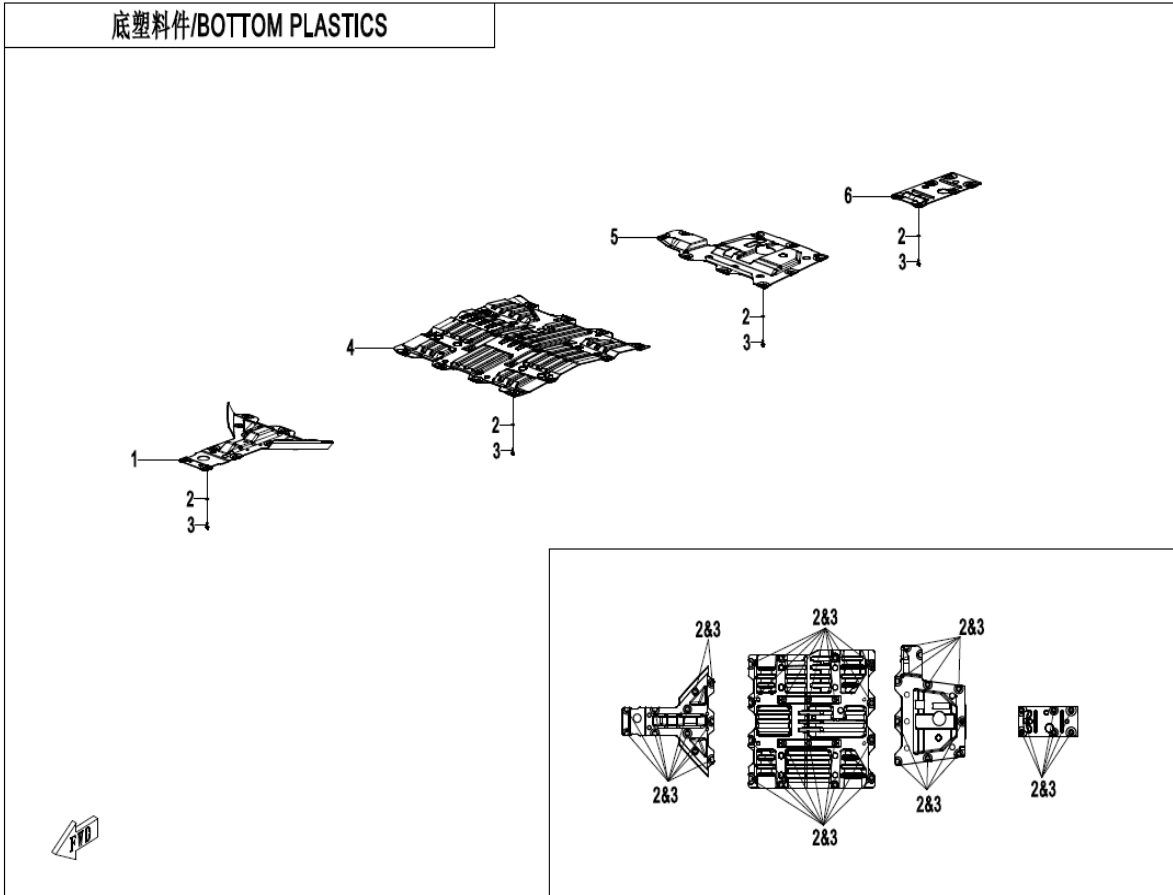
Item No.	Parts Number	Parts Name(EN)	Qty	Specification
1	5BWV-044013-5000	SERVICE COVER, AIR FILTER	1	
2	5BWV-043064-5000	ECU CAP	1	
3	5BWV-042053-5000	FRONT SERVICE COVER, GUARD	1	
4	5BWV-040002-5000	QUICK RELEASE BOLT	3	
5	5BWV-040004-5000	RETAINER	3	
6	5BWV-042055-5000	HEAT INSULATOR, GUARD SERVICE COVER	1	
7	30301-060470	RETAINER	11	
8	5BWV-040016-5000	INNER HEX SLEF-TAPPING SCREW ST4.8x16	14	ST4.8x16
9	5BWV-042058-5000	GUARD, START RELAY	1	
10	8030-040800-00001	NUT CLIP M6	10	M6
11	5BY0-040010	RUBBER SLEEVE	1	
12	5BWV-042059-5000	BRACKET, START RELAY	1	
13	5BWV-042052-5000	REAR GUARD, SEAT	1	
14	9060-040310	PLASTIC CLIPS	17	
15	5BWV-040001-5000	INNER HEX BOLT M6x14	4	M6x14
16	5BWV-040008-5000	INNER HEX BOLT M6x20	9	M6x20
17	5BWV-040003-5000	QUICK RELEASE BUCKLE	3	
18	5BWV-042057-5000	REAR COVER, FUSE BOX	1	
19	5BWV-040016-5000	INNER HEX SLEF-TAPPING SCREW ST4.8x16	1	ST4.8x16
20	5BWV-042056-5000	HEAT INSULATOR, REAR GUARD	1	
21	5BWV-041063-5000	LH REAR WIDENED FENDER	1	
22	5BWV-040006-5000	INNER HEX SLEF-TAPPING SCREW ST4.8x40	12	ST4.8x40
23	5BWV-041064-5000	RH REAR WIDENED FENDER	1	

后塑料件/ REAR PLASTICS



F04-5 REAR PLASTICS

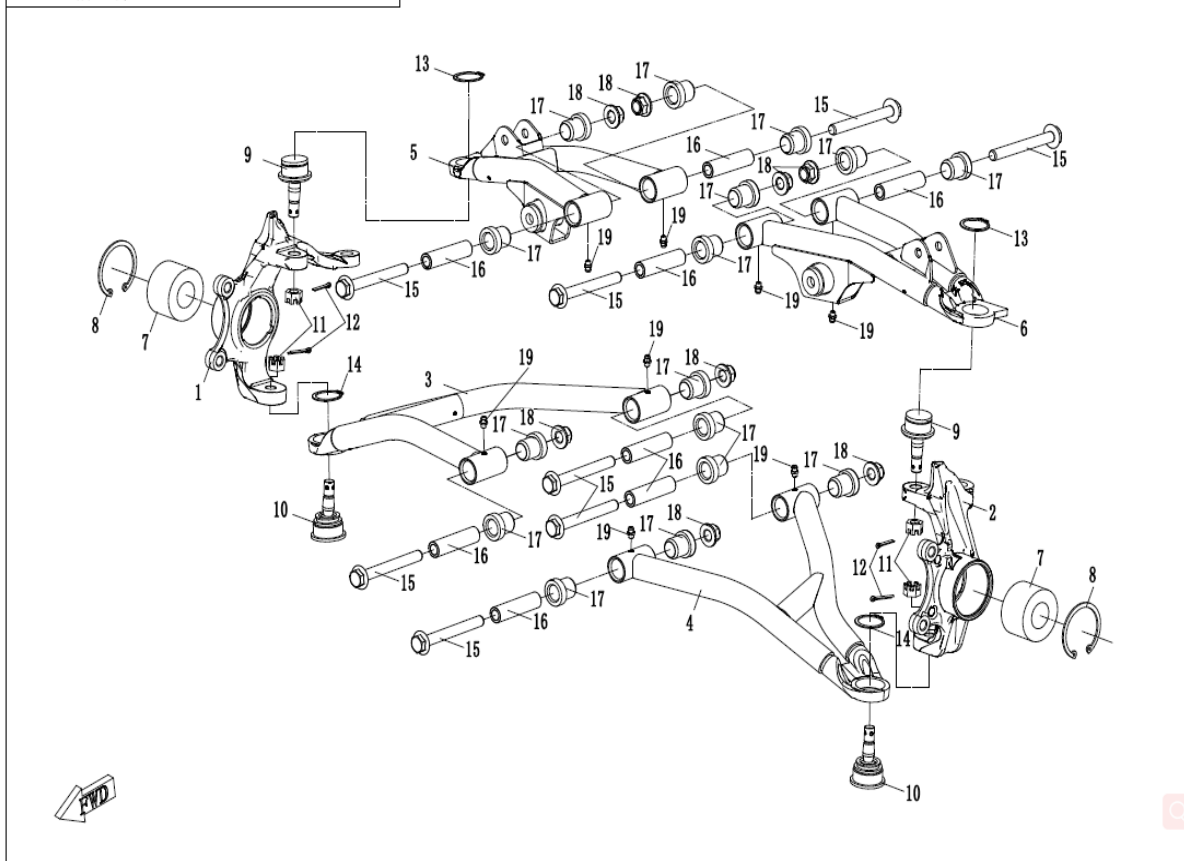
Item No.	Parts Number	Parts Name(EN)	Qty	Specification
1	5BWV-042032-5000	RH FILTER PANEL	1	
2	5BWV-040017-5000	INNER HEX BOLT M5x12	8	M5x12
3	5BWV-223022-5000	RH SIDE PLATE, CARGO BOX	1	
4	5BWV-040008-5000	INNER HEX BOLT M6x20	27	M6x20
5	8030-040800-00001	NUT CLIP M6	40	M6
6	5BWV-223013-5000	RH SIDE COVER, CARGO BOX	1	
7	9060-040310	PLASTIC CLIPS	10	
8	6KM#-040081-8000-M1	NUT CLIP M5	4	
9	5BWV-042028-5000	DEFLECTOR, RH AIR INLET PORT	1	
10	5BWV-042012-5000	RH REAR FENDER	1	
11	5020-031001	RUBBER SLEEVE, FRONT LICENSE BRACKET	1	
12	5BWV-042027-5000	DEFLECTOR, LH AIR INLET PORT	1	
13	5BWV-223021-5000	LH SIDE PLATE, CARGO BOX	1	
14	5BWV-223012-5000	LH SIDE COVER, CARGO BOX	1	
15	5BWV-042031-5000	LH FILTER PANEL	1	
16	5BWV-223011-5000	PLASTIC REAR CARGO BOX	1	
17	5BWV-040009-5000	INNER HEX BOLT M8x50	6	M8x50
18	0700-064001	WASHER	1	6.3x16.3x1.2
19	5BWV-040016-5000	INNER HEX SLEF-TAPPING SCREW ST4.8x16	1	ST4.8x16
20	5BWV-223014-5000	REAR SERVICE COVER	1	
21	5BWV-040001-5000	INNER HEX BOLT M6x14	1	M6x14
22	7030-040010-00001	CABLE, FRONT TOP COVER	1	
23	5BWV-223031-5000	TAIL LIGHT PANEL	1	
24	8080-000002	CLIP NUT ST4.8	4	ST4.8
25	5BWV-223032-5000	REAR LOWER GUARD	1	
26	5BWV-040005-5000	INNER HEX BOLT M6x18	4	M6x18
27	5BWV-223033-5200	BRACKET, REAR LICENSE LIGHT	1	
28	5BWV-040006-5000	INNER HEX SLEF-TAPPING SCREW ST4.8x40	3	ST4.8x40



F04-6 BOTTOM PLASTICS

Item No.	Parts Number	Parts Name(EN)	Qty	Specification
1	5BWV-042061-5000	FRONT SKID PLATE	1	
2	30301-060470	RETAINER	45	
3	5BWV-040007-5000	BOLT	45	M6x20
4	5BWV-042062-5000	MIDDLE SKID PLATE, SMALL	1	
5	5BWV-042063-5000	MIDDLE SKID PLATE, BIG	1	
6	5BWV-042065-5000	REAR SKID PLATE	1	

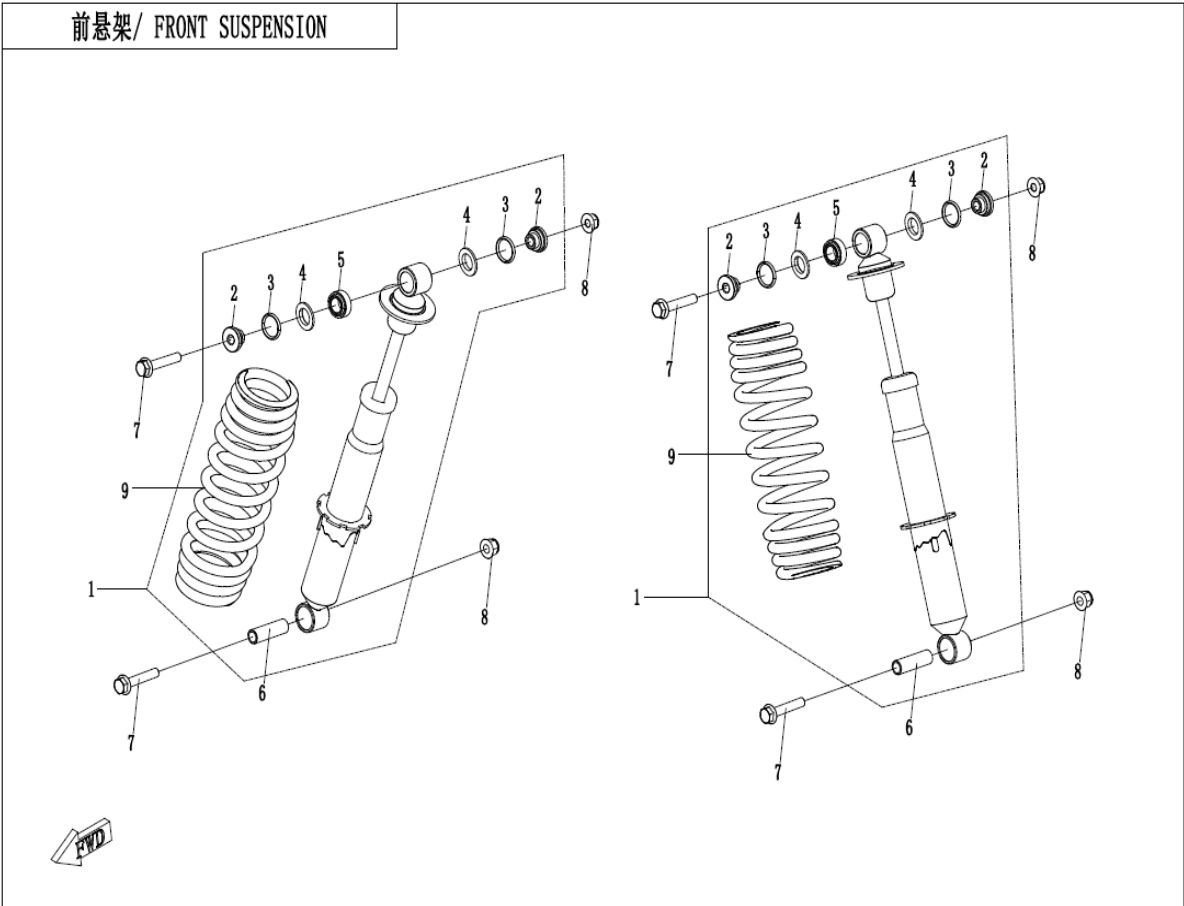
前悬架/ FRONT SUSPENSION



F05-1 FRONT SUSPENSION

Item No.	Parts Number	Parts Name(EN)	Qty	Specification
1	5BWV-050801-5000	RH STEERING KNUCKLE	1	
1	5BWV-050801-5001	STEERING KNUCKLE,RH	1	
2	5BWV-050701-5000	LH STEERING KNUCKLE	1	
2	5BWV-050701-5001	STEERING KNUCKLE,LH	1	
3	5BWV-050410-5000	FRONT RH LOWER SWING ARM ASSY	1	
4	5BWV-050210-5000	FRONT LH LOWER SWING ARM ASSY	1	
5	5BWV-050310-5000	FRONT RH UPPER SWING ARM ASSY	1	
6	5BWV-050110-5000	FRONT LH UPPER SWING ARM ASSY	1	
7	30411-03080	HUB BEARING	2	
8	30800-06005	CIRCLIP FOR HOLE	2	60
9	9030-050600-10000	MAIN PIN ASSY	2	CCVI
10	9060-050900-10000	BALL PIN ASSY	2	CCVI
11	30219-122810	NUT M12x1.25	4	M12x1.25
12	30903-0322210	COTTER PIN	4	3.2x22
13	30801-03205	CIRCLIPS FOR SHAFT	2	32 A-TYPE
14	30801-03405	CIRCLIPS FOR SHAFT	2	34
15	30024-122100110	BOLT	8	
16	5SYV-060201-6000	SHORT MIDDLE SPACER, SWING ARM	8	
17	5SYV-060202-6000	SHORT BUSHING, SWING ARM	16	
18	30204-122810	NUT M12x1.25	8	M12x1.25
19	3120100	OIL CUP	8	

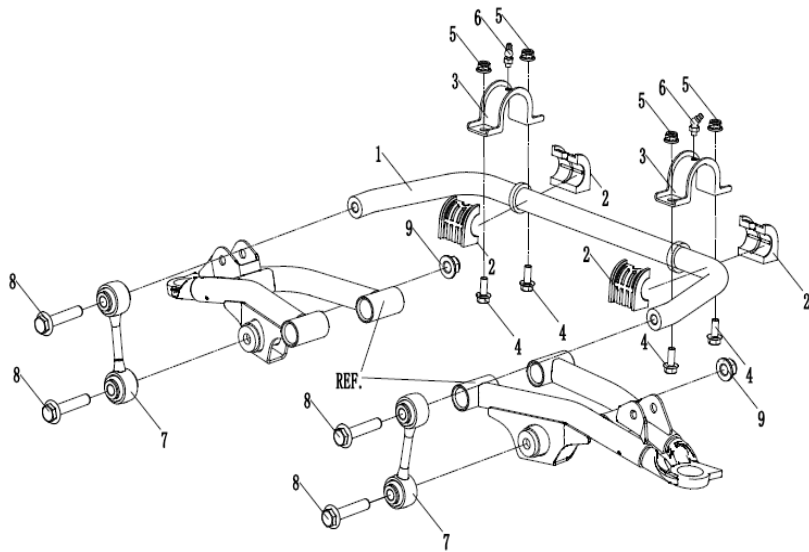
前悬架/ FRONT SUSPENSION



F05-2 FRONT SHOCK ABSORBER

Item No.	Parts Number	Parts Name(EN)	Qty	Specification
1	5BWV-050500-5000	FRONT SHOCK ABSORBER	2	
2	5ASV-050500-6000-42	SPACE RING	4	
3	5BWV-050500-5000-22	O-RING	4	
4	5BWV-050500-5000-23	CIRCLIP	4	
5	9DS#-050600-6000-27	KNUCKLE BEARING	2	
6	9DS#-060600-6000-20	SPACER RING	2	
7	30006-102055110	BOLT	4	
8	30204-102810	NUT M10x1.25	4	M10x1.25
9	5BWV-050500-5000-21	DAMPING SPRING	2	

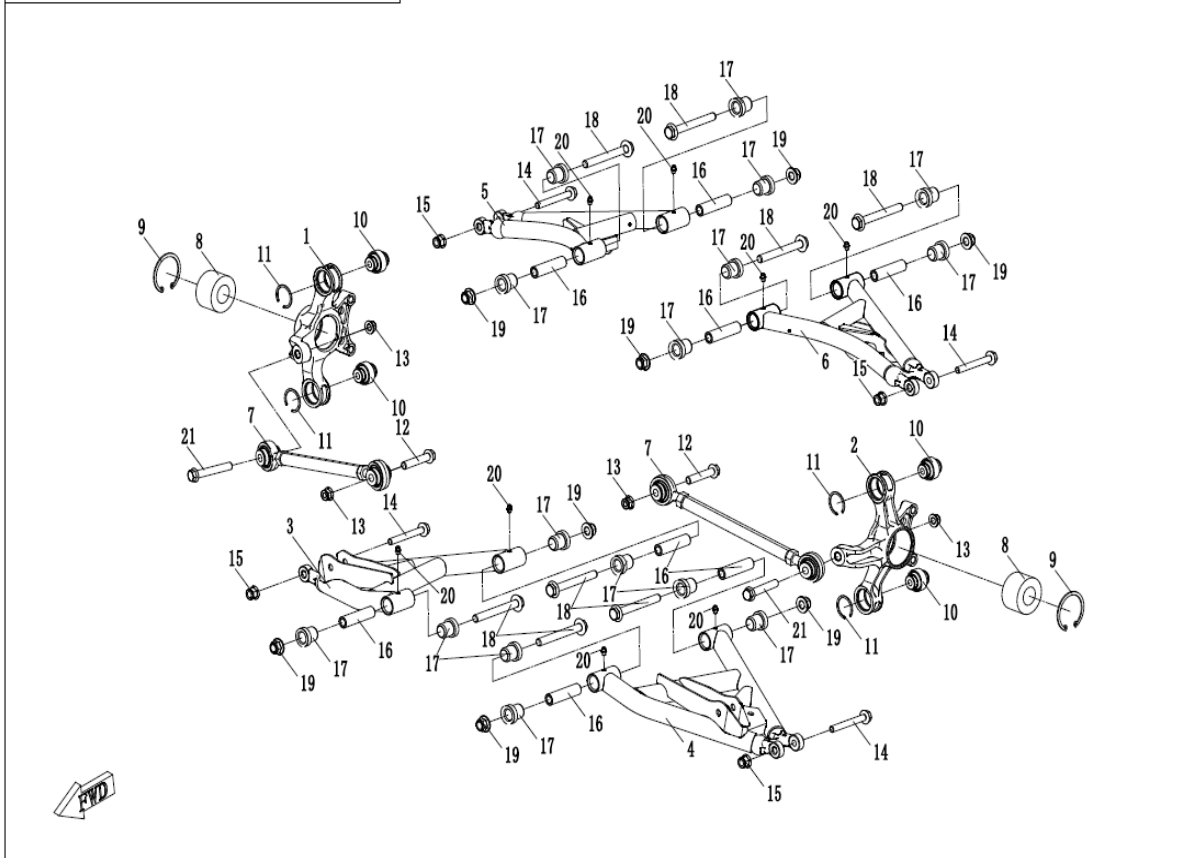
前悬架/ FRONT SUSPENSION



F05-3 FRONT SUSPENSION

Item No.	Parts Number	Parts Name(EN)	Qty	Specification
1	5BWV-050900-5000	FRONT SWAY BAR	1	
2	5BWV-060003-5000	SEAT, SWAY BAR	4	
3	9030-060002	COVER, SWAY BAR	2	
4	30006-080020810	BOLT M8x20	4	M8x20
5	30204-080810	NUT M8	4	M8
6	3121401	OIL CUP	2	45 DEGREE
7	5BWV-050010-5000	BALL PIN, FRONT SWAY BAR	2	
8	30001-122060160	BOLT M10x1.25x60	4	M10x1.25x60
9	30204-122810	NUT M12x1.25	2	M12x1.25

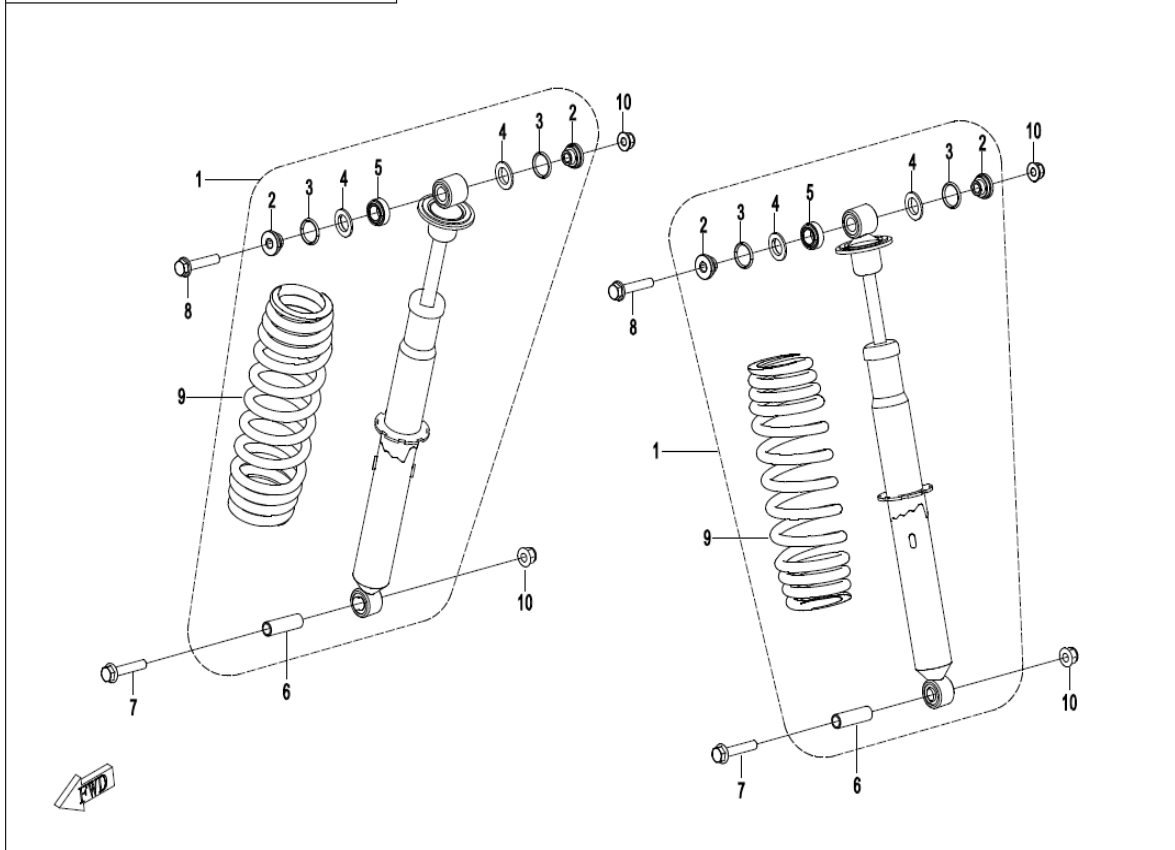
后悬架/ REAR SUSPENSION



F06-1 REAR SUSPENSION

Item No.	Parts Number	Parts Name(EN)	Qty	Specification
1	5BWV-060801-5000	REAR RH BEARING CARRIER	1	
1	5BWV-060801-5001	HOLDER, REAR RH WHEEL SHAFT	1	
2	5BWV-060701-5000	REAR LH BEARING CARRIER	1	
2	5BWV-060701-5001	HOLDER, REAR LH WHEEL SHAFT	1	
3	5BWV-060410-5000	REAR RH LOWER SWING ARM ASSY	1	
4	5BWV-060210-5000	REAR LH LOWER SWING ARM ASSY	1	
5	5BWV-060310-5000	REAR RH UPPER SWING ARM ASSY	1	
6	5BWV-060110-5000	REAR LH UPPER SWING ARM ASSY	1	
7	5BWV-060900-5000	REAR SWING ARM ROD ASSY	2	
8	30411-03080	HUB BEARING	2	
9	30800-06005	CIRCLIP FOR HOLE	2	60
10	5BY0-060120	BEARING, REAR SWING ARM	4	
11	5BY0-060102	BEARING RETAINER, SWING ARM	4	
12	30001-122060160	BOLT M10x1.25x60	2	M10x1.25x60
13	30204-122810	NUT M12x1.25	4	M12x1.25
14	30006-102080110	BOLT	4	
15	30204-102810	NUT M10x1.25	4	M10x1.25
16	5SYV-060201-6000	SHORT MIDDLE SPACER, SWING ARM	8	
17	5SYV-060202-6000	SHORT BUSHING, SWING ARM	16	
18	30024-122100110	BOLT	8	
19	30204-122810	NUT M12x1.25	8	M12x1.25
20	3120100	OIL CUP	8	
21	5BY0-060703	MOUNTING SHAFT, REAR TIE ROD	2	

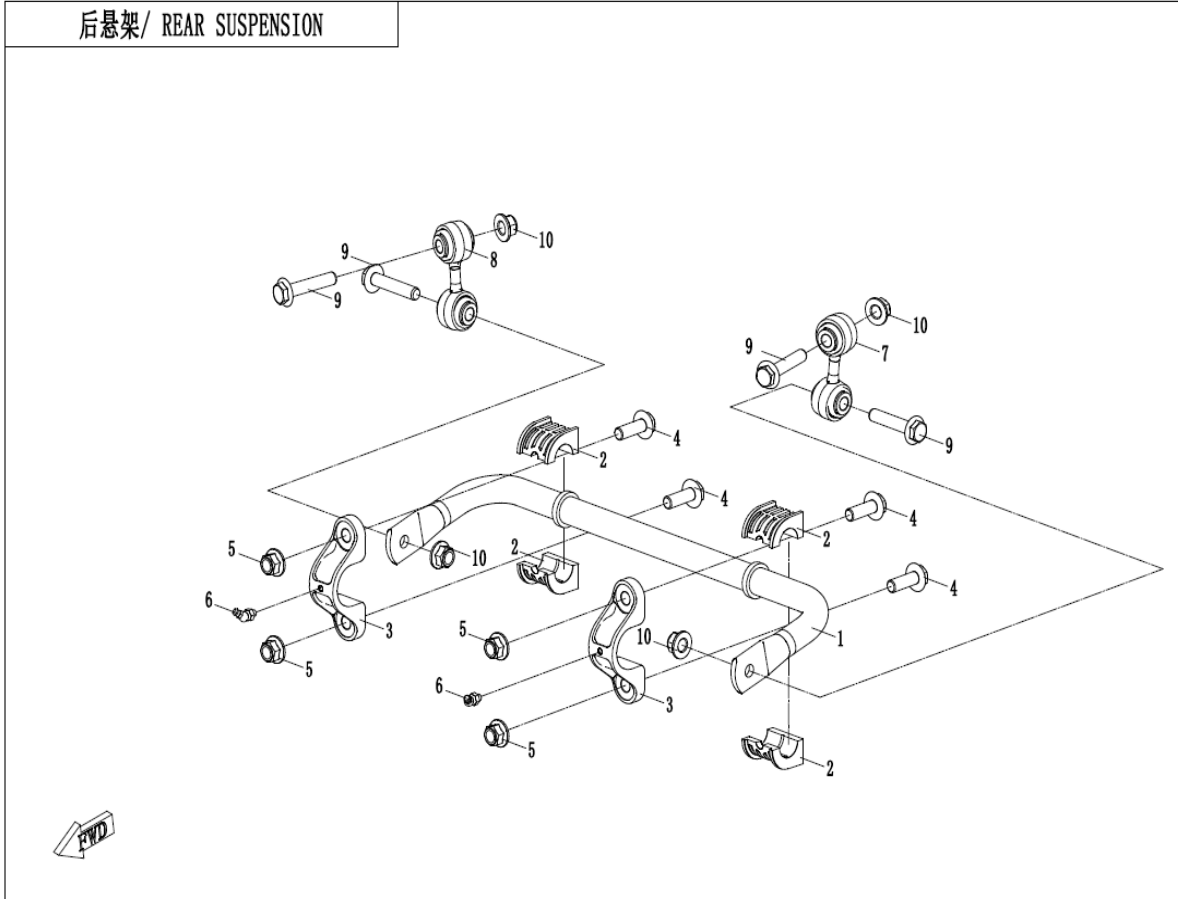
后悬架/ REAR SUSPENSION



F06-2 REAR SHOCK ABSORBER

Item No.	Parts Number	Parts Name(EN)	Qty	Specification
1	5BWV-060600-5000	REAR SHOCK ABSORBER ASSY	2	
2	5ASV-050500-6000-42	SPACE RING	4	
3	5BWV-050500-5000-22	O-RING	4	
4	5BWV-050500-5000-23	CIRCLIP	4	
5	9DS #-050600-6000-27	KNUCKLE BEARING	2	
6	5BWV-060600-5000-22	SPACER RING	2	
7	30006-102055110	BOLT	2	
8	30006-102060110	BOLT	2	
9	5BWV-060600-5000-21	DAMPING SPRING	2	
10	30204-102810	NUT M10x1.25	4	M10x1.25

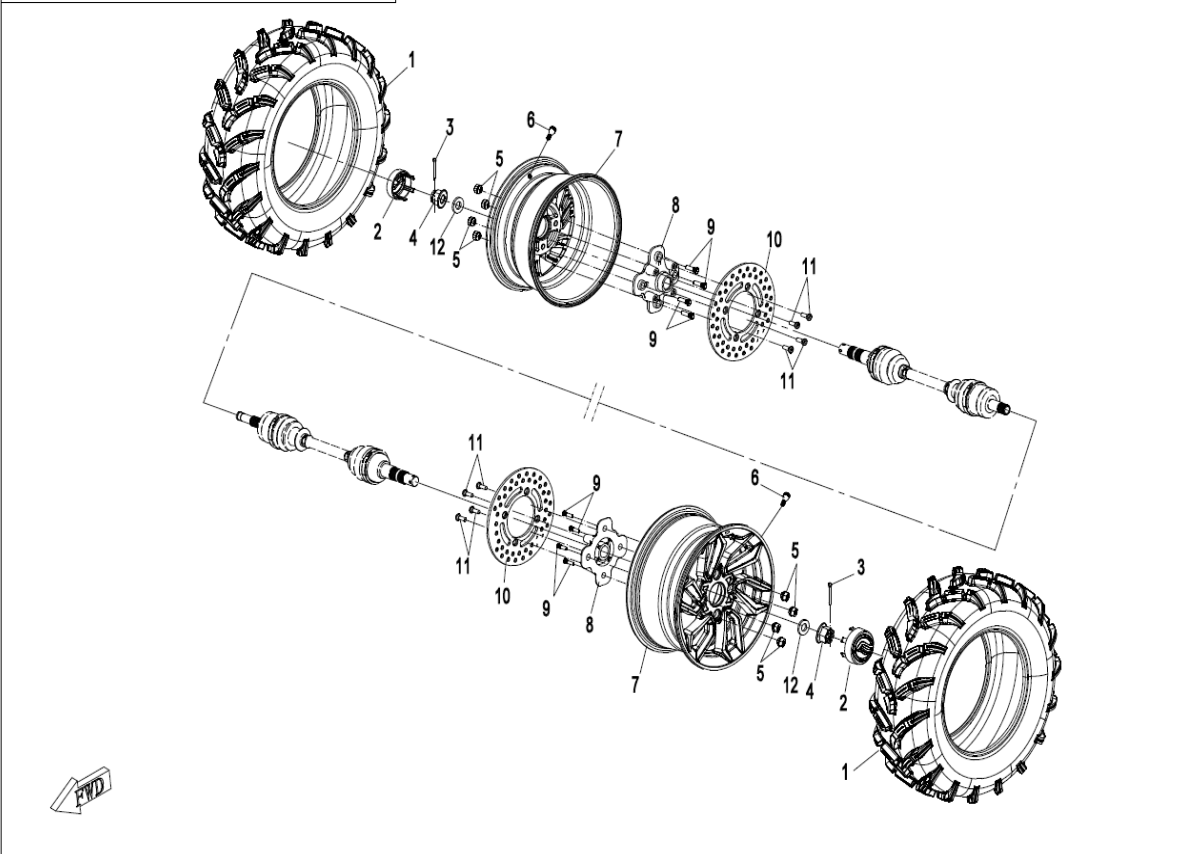
后悬架/ REAR SUSPENSION



F06-3 REAR SUSPENSION

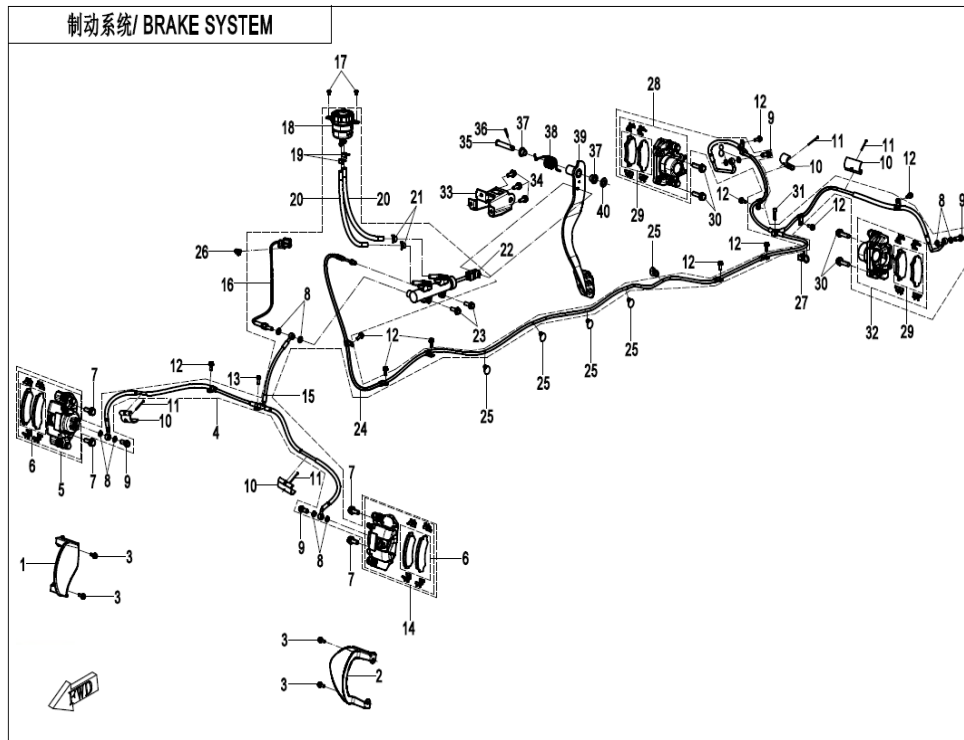
Item No.	Parts Number	Parts Name(EN)	Qty	Specification
1	5BWV-060610-5000	REAR SWAY BAR	1	
2	5BWV-060003-5000	SEAT, SWAY BAR	4	
3	5BWV-060001-5000	PRESS COVER, REAR SWAY BAR	2	
4	0800-014009-00002	BOLT	4	
5	30204-122810	NUT M12x1.25	4	M12x1.25
6	3121401	OIL CUP	2	45 DEGREE
7	5BWV-060510-5000	BALL PIN, REAR LH SWAY BAR	1	
8	5BWV-060530-5000	BALL PIN, REAR RH SWAY BAR	1	
9	30001-122060160	BOLT M10x1.25x60	4	M10x1.25x60
10	30204-122810	NUT M12x1.25	4	M12x1.25

前轮/ FRONT WHEEL



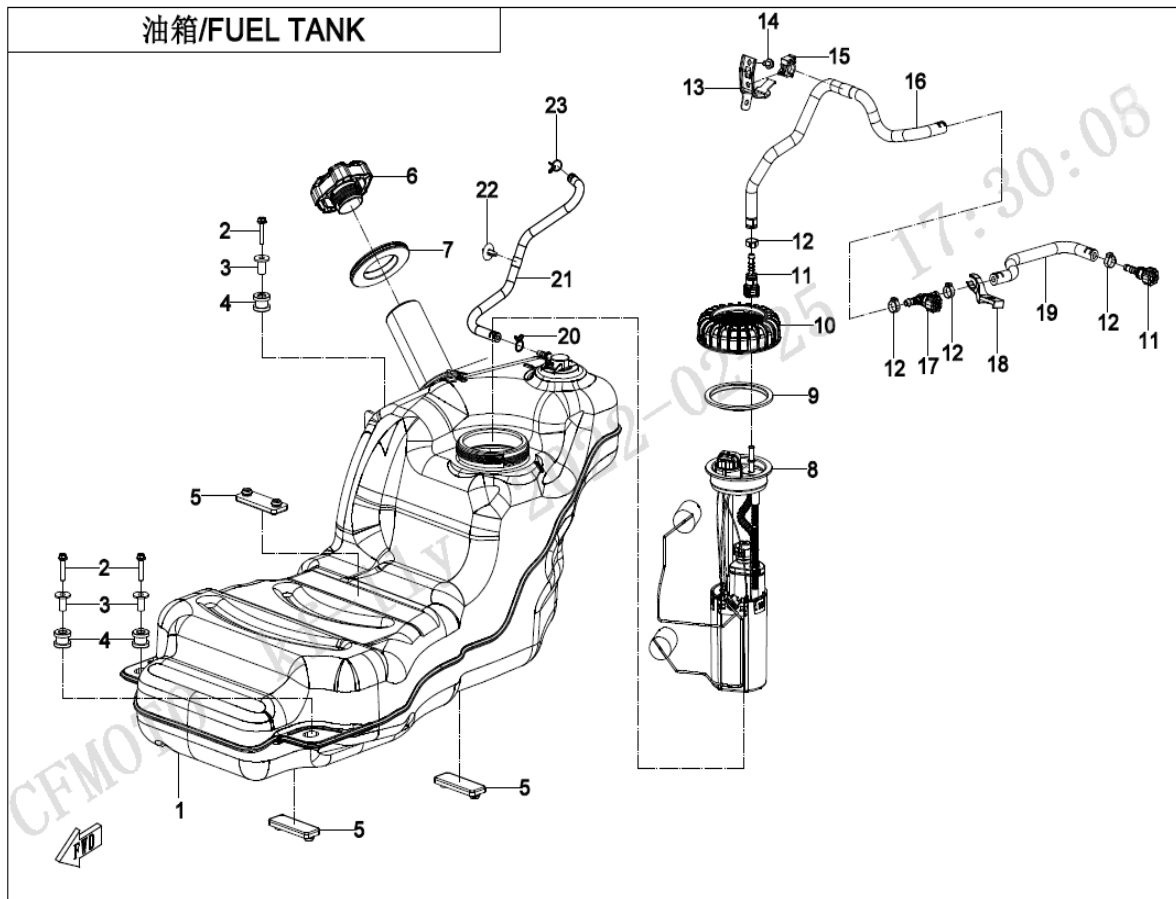
F07 FRONT WHEEL

Item No.	Parts Number	Parts Name(EN)	Qty	Specification
01	30703-1457	TIRE	2	
02	5ASV-070101-6001	DECO COVER, RIM	2	WITH CFMOTO LOGO
03	30903-0403610	COTTER PIN	2	40x36
04	5HY0-110001	HEX FLANGE NUT	2	
05	5HY0-070203	NUT, WHEEL	8	
06	5BYA-070030	INFLATION VALVE	2	
07	5BWV-070100-5100	FRONT RIM	2	
08	5HYV-070001-1400	BRACKET, FRONT WHEEL	2	
09	5HY0-070201	BOLT, WHEEL	8	
10	5HY0-080001	FRONT BRAKE DISC	2	
11	A000-080001	SCREW	8	
12	30306-200112	WASHER	2	



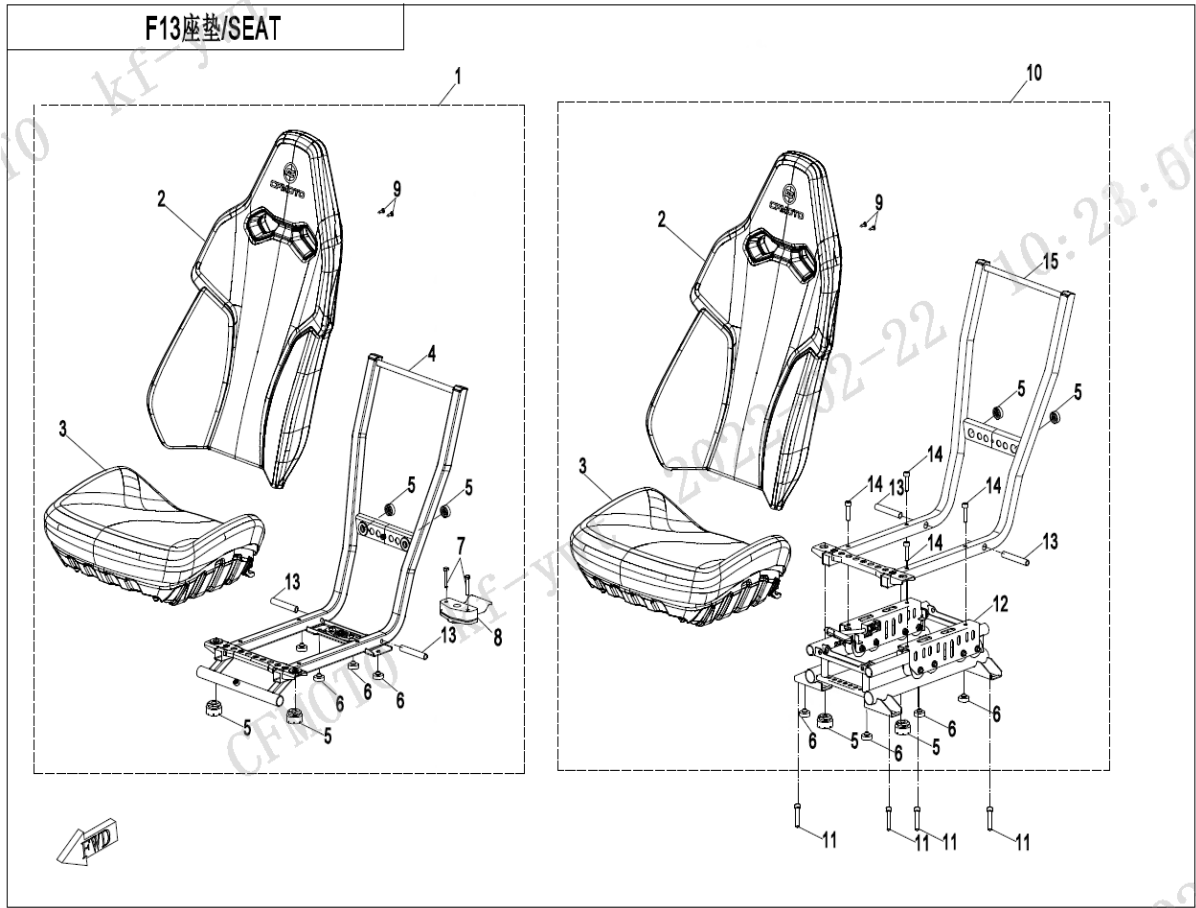
F08 BRAKE SYSTEM

Item No.	Parts Number	Parts Name(EN)	Qty	Specification
1	5BY0-080008	GUARD, FRONT RH BRAKE CALIPER	1	
2	5BY0-080007	GUARD, FRONT LH BRAKE CALIPER	1	
3	8010-000004	BOLT M6x14	4	M6x14
4	5BWV-081000-5000	HYDRAULIC BRAKE ASSY	1	
5	9AWA-081200	FRONT BRAKE CALIPER, RH	1	
6	9AWA-0811A0	BRAKE PAD ASSY	2	
7	30006-102025810	BOLT M10x1.25x25	4	M10x1.25x25
8	901B-080102	WASHER	10	80
9	7020-081004	BANJO BOLT	4	
10	5BY0-080002	PLASTIC CLASP	4	
11	30902-0401320	BLIND RIVET	4	4x13
12	30006-060016810	BOLT M6x16	10	M6x16
13	30102-060016810	SCREW	1	
14	9AWA-081100	FRONT BRAKE CALIPER, LH	1	
15	5BWV-081010-5000	FRONT BRAKE FLUID HOSE	1	
16	5BWV-080010-5000	HYDRAULIC SENSOR SWITCH	1	
17	30110-481130010	SELF-TAPPING SCREW ST4.8x13	2	ST4.8x13
18	9GQ0-080110	FLUID RESERVOIR	1	
19	9010-080405	CLAMP	2	
20	5BY0-081001	FLUID RESERVOIR HOSE 1	2	
21	7020-081002	PIPE CLIP, MASTER CYLINDER	2	
22	5SYV-081100-6000	MASTER CYLINDER	1	
23	30006-080025810	BOLT	2	M8x25
24	5BWV-081020-5000	REAR BRAKE FLUID HOSE	1	
25	7030-150005	TIE BAND	5	
26	CFCV-CCC001-2000-M1	CLIP	1	
27	9DS#-150009-6100-M1	TIE BAND ZDG4.7x194	1	
28	5BWV-081600-5000	REAR BRAKE CALIPER, RH	1	
29	5HY0-0811A0	REAR BRAKE PAD ASSY	2	
30	30006-102035810	BOLT M10x1.25x35	4	M10x1.25x35
31	30102-060025810	SCREW M6x25	1	M6x25
32	5BWV-081500-5000	REAR BRAKE CALIPER, LH	1	
33	5BWV-080011-5000	BRACKET, BRAKE PEDAL	1	
34	30006-080020810	BOLT M8x20	3	M8x20
35	30904-1206540	PIN SHAFT	1	
36	30903-0252610	COTTER PIN	1	2.5x26
37	9060-105002	BUSHING	2	
38	5BWV-080001-5000	RETURN SPRING, FOOT BRAKE	1	
39	5BWV-082000-5000	BRAKE PEDAL ASSY	1	MAUD SPIRIT BLACK
39	5BWV-082000-5001	BRAKE PEDAL ASSY	1	MAUD SPIRIT BLACK
40	30306-120112	WASHER	1	12



F12 FUEL TANK

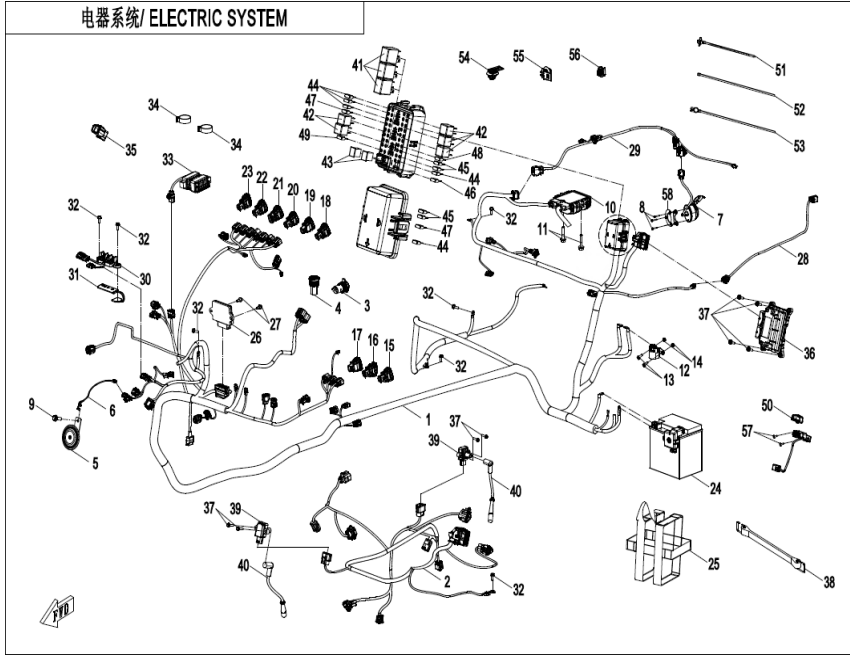
Item No.	Parts Number	Parts Name(EN)	Qty	Specification
01	5BWV-120100-5000	FUEL TANK ASSY	1	
02	30006-060030810	BOLT M6x30	3	M6x30
03	7020-120160	CUSHION LINER, FUEL TANK	3	
04	7020-120103	DAMPER, FUEL TANK	3	
05	9AWA-120001-00001	DAMPER, FUEL TANK	3	
06	9DS#-120300-6000	CAP, FUEL TANK	1	
07	9AW#-120002-2500	RUBBER, FUEL TANK FILLER	1	
08	5BWV-150900-5000	FUEL PUMP ASSY	1	
09	9AWV-120102-2500	SEAL RING, FUEL PUMP	1	
10	9AWV-120101-2500	CAP, FUEL PUMP	1	
11	6KJ0-120330-10000	QUICK JOINT	2	
12	7020-120006	CLAMP Dia 16.6	4	
13	5BWV-120002-5000	BRACKET	1	
14	30006-060010810	BOLT M6x10	1	GB5789 M6x10 TRIVALENT CHROMIUM 8.8
15	A000-100002	CLIP, CLUTCH CABLE	1	
16	5BWV-120210-5000	HIGH-PRESSURE FUEL HOSE ASSY 1	1	
17	9AWA-120010	QUICK T-JOINT	1	
18	0JY#-170005-1500	BRACKET, RH FUEL INJECTOR HOSE	1	
19	5BWV-120220-5000	HIGH-PRESSURE FUEL HOSE	1	
20	30601-113010	CLAMP A13	1	A13
21	5BWV-360005-5200	BREATHER HOSE, FUEL TANK	1	
22	7030-150005	TIE BAND	1	
23	30601-110010	CLAMP A10	1	A10



F13 SEAT

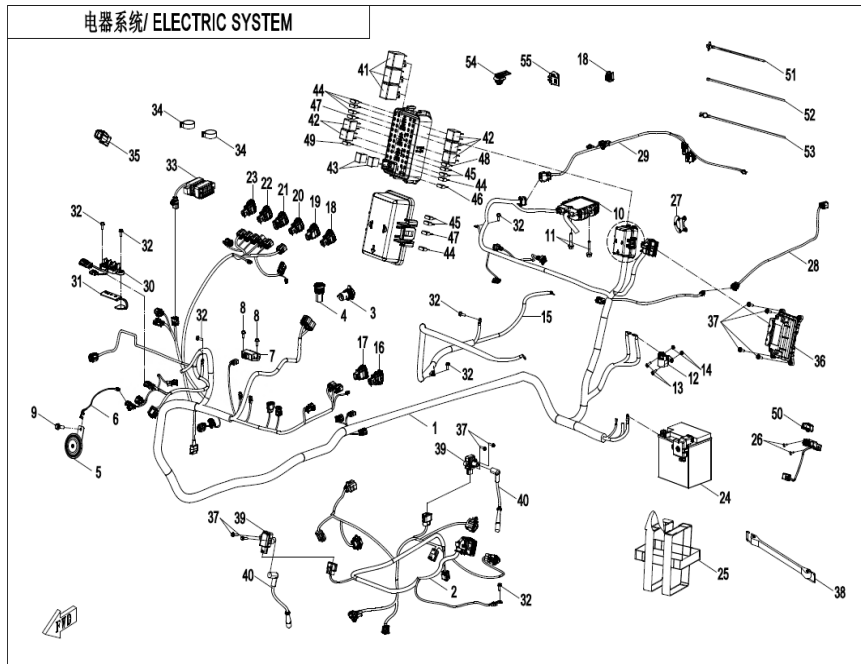
Item No.	Parts Number	Parts Name(EN)	Qty	Specification
01	5BWV-132000-5000	PASSENGER SEAT ASSY	1	
02	5BWV-131600-5000	BACKREST	2	
03	5BWV-131500-5000	SEAT	2	
04	5BWV-132300-5000	FRAME, SUB SEAT	1	
05	5HY#-130002-1000	BACKREST DAMPING MAT	8	
06	6KM0-130205	RUBBER	8	
07	30003-060035810	BOLT	2	
08	5HY0-131140	SEAT LOCK	1	
09	30110-420130070	SELF-TAPPING SCREW ST4.2x13-C-H	4	ST4.2x13-C-H
10	5BWV-131000-5000	DRIVER SEAT ASSY	1	
11	30006-080016810	BOLT	4	M8x16
12	5BWV-131400-5000	ROLLER TRACK	1	
13	5BWV-131000-5000-20	STEM PLUG	4	
14	30102-080035810	SCREW M8x35	4	M8x35
15	5BWV-131300-5000	FRAME, MAIN SEAT	1	

电器系统/ ELECTRIC SYSTEM



F15-1-V1 ELECTRIC SYSTEM

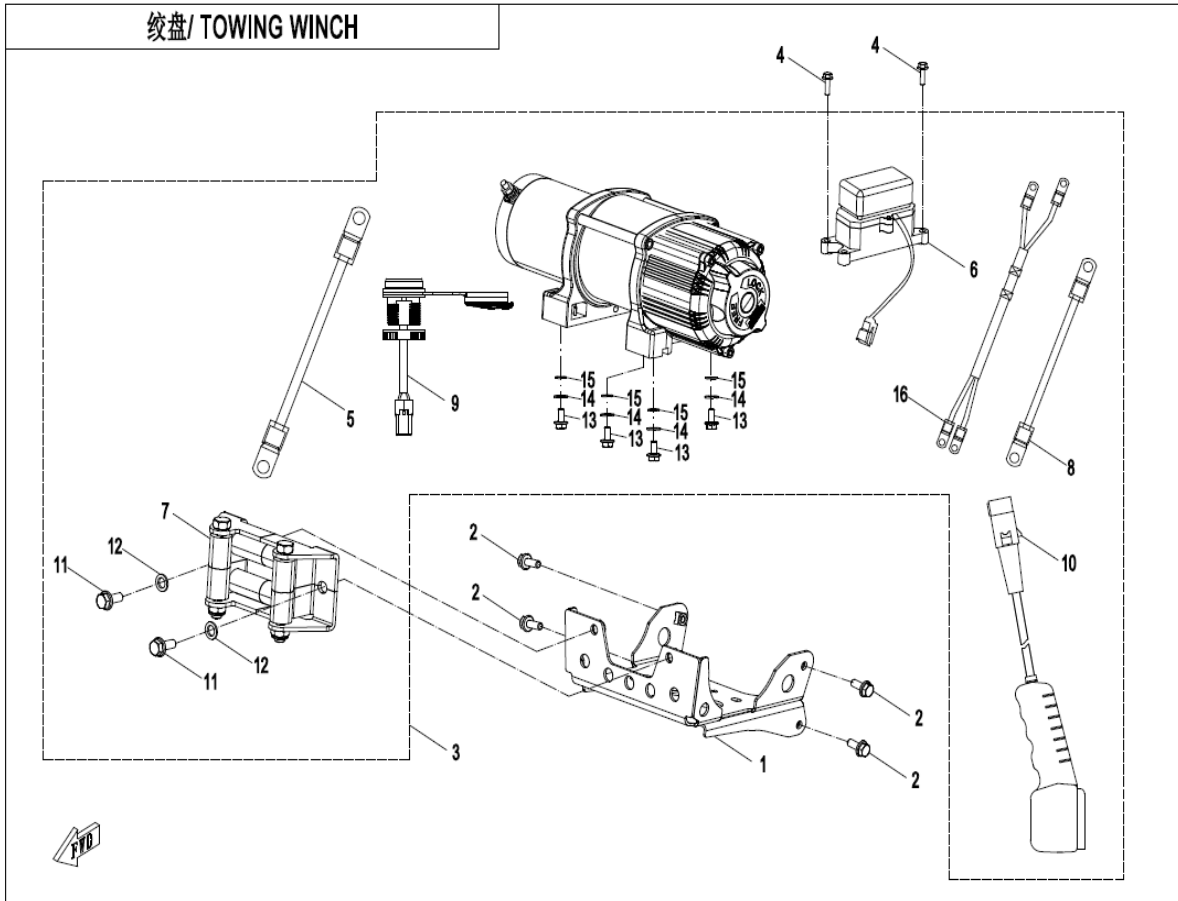
Item No.	Parts Number	Parts Name(EN)	Qty	Specification
01	5BWV-150100-5100	MAIN CABLE	1	
02	5BWV-150200-5100	EFI AUXILIARY CABLE	1	
03	6WWV-150500-5000-10	POWER OUTLET SOCKET	1	
04	6WWV-150600-5000-10	USB OUTLET SOCKET ASSY	1	
05	6060-150600	ELECTRIC HORN	1	
06	5HYV-150191-2900	ADAPTOR CABLE, HORN	1	
07	9DQV-151300-3100	POWER SOCKET, TRAILER	1	
08	30105-050035410	SCREW M5x35	3	M5x35
09	30006-080014810	BOLT M8x14	1	M8x14
10	0800-177000-30000	REGULATOR	1	600W
11	30006-060030810	BOLT M6x30	2	M6x30
12	5270-150500	STARTER RELAY	1	
13	30006-060012810	BOLT M6x12	2	M6x12
14	30200-060810	NUT	2	M6
15	5ASV-169020-6001	ILLUMINATION SWITCH	1	
16	5ASV-169030-6001	DIMMER SWITCH	1	
17	5BWV-151800-5000	MODE SWITCH	1	
18	5ASV-169010-6001	STOP SWITCH	1	
19	5ASV-169050-6001	OVERRIDE SWITCH	1	
20	5ASV-169040-6001	HORN SWITCH	1	
21	5BWV-151700-5000	2WD/4WD SWITCH	1	
22	5ASV-169070-6001	HAZARD SWITCH	1	
23	5ASV-169060-6001	TURN SWITCH	1	
24	31023004	BATTERY	1	DYNAVOLT,12V30Ah
25	9060-152100	BELT, BATTERY	1	
26	5BWV-151900-5000	VEHICLE CONTROL UNIT	1	
27	30006-060020810	BOLT M6x20	2	M6x20
28	5BWV-150182-5100	ADAPTER CABLE, LH TAIL LIGHT	1	
29	5BWV-150183-5100	ADAPTER CABLE, RH TAIL LIGHT	1	
30	5BWV-156905-5000-M1	EXTENSION POWER TERMINAL	1	
31	5BWV-156906-5000-M1	EXTENSION POWER TERMINAL CAP	1	
32	30006-060016810	BOLT M6x16	7	M6x16
33	6NTV-150900-C201-M1	T-BOX	1	
33	9DQV-151800-4001-M1	T-BOX	1	
33	9DQV-151800-4100-M2	T-BOX	1	
33	9DQV-151800-4300-M2	T-BOX	1	
33	6GUJ-151800-6800-M1	T-BOX	1	
33	6GUJ-151800-6900-M1	T-BOX	1	
33	6GUJ-151800-7100-M1	T-BOX	1	
33	6GUJ-151800-7300-M1	T-BOX	1	
33	6GUJ-151800-7500-M1	T-BOX	1	
33	6KMV-150900-B001	T-BOX	1	
33	6NQV-150900-3001-M1	T-BOX	1	
33	6NQV-150900-B101-M1	T-BOX	1	
34	6KMV-150901-B001	RUBBER RING, T-BOX	2	
35	CFCV-156103-2000	T-BOX CONNECTOR PLUG	1	
36	5BWV-001000-5101	ECU ASSY	1	
36	5BWV-001000-5201	ECU ASSY	1	
37	30006-060025810	BOLT	8	M6x25
38	7030-040910	TIE BAND, BATTERY	1	
39	018B-178000	IGNITION COIL	2	
40	0JWV-179000-6000	HIGH-TENSION CABLE	2	
41	9010-150350	AUXILIARY RELAY	3	
42	5BY4-150330	AUXILIARY RELAY	5	
43	5BY0-150302	40A FUSE	2	
44	806A-151302	FUSE 10A	5	10A
45	806A-151305	FUSE 15A	4	15A
46	8010-151301	FUSE 5A	1	5A
47	806A-151307	25A FUSE	2	
48	806A-151306	20A FUSE	1	
49	CFCV-150010-4500	FUSE 2A	1	
50	5BY0-150305	CAP, DIAGNOSIS CONNECTOR	1	
51	7030-150005	TIE BAND	19	
52	8010-150003	TIE	18	5x250
53	9DS#-150009-6100-M1	TIE BAND ZDG4.7x194	4	
54	6GU#-150001-6000-M1	CLASP	3	
55	CFCV-CBC001-2001-M1	CLIP	1	
56	CFCV-CBC005-2000-M1	CLIP	1	
57	30110-420160010	SCREW	2	ST4.2x16
58	5BWV-230520-5000	BRACKET, TRAILER POWER	1	MAUD SPIRIT BLACK



F15-1-V2 ELECTRIC SYSTEM

Item No.	Parts Number	Parts Name(EN)	Qty	Specification
01	5BWV-150100-5101	MAIN CABLE	1	
02	5BWV-150200-5100	EFI AUXILIARY CABLE	1	
03	6WWV-150500-5000-10	POWER OUTLET SOCKET	1	
04	6WWV-150600-5000-10	USB OUTLET SOCKET ASSY	1	
05	6060-150600	ELECTRIC HORN	1	
06	5HYV-150191-2900	ADAPTOR CABLE, HORN	1	
07	5BWV-161000-5200	FLASHER	1	
07	5BWV-161000-5201	FLASHER	1	
08	5BWV-040008-5000	INNER HEX BOLT M6x20	2	M6x20
09	30006-080014810	BOLT M8x14	1	M8x14
10	0800-177000-30000	REGULATOR	1	600W
11	30006-060030810	BOLT M6x30	2	M6x30
12	5270-150500	STARTER RELAY	1	
13	30006-060012810	BOLT M6x12	2	M6x12
14	30200-060810	NUT	2	M6
15	5BWV-150310-5100	STARTER CABLE	1	
16	5ASV-169030-6001	DIMMER SWITCH	1	
17	5BWV-151800-5000	MODE SWITCH	1	
18	CFCV-CBC005-2000-M1	CLIP	1	
19	5ASV-169050-6001	OVERRIDE SWITCH	1	
20	5ASV-169040-6001	HORN SWITCH	1	
21	5BWV-151700-5000	2WD/4WD SWITCH	1	
22	5ASV-169070-6001	HAZARD SWITCH	1	
23	5ASV-169060-6001	TURN SWITCH	1	
24	31023004	BATTERY	1	DYNNAVOLT,12V30Ah
25	9060-152100	BELT, BATTERY	1	
26	30110-420160010	SCREW	2	ST4.2x16
27	5BWV-230520-5000	BRACKET, TRAILER POWER	1	MAUD SPIRIT BLACK
28	5BWV-150182-5100	ADAPTER CABLE, LH TAIL LIGHT	1	
29	5BWV-150183-5101	ADAPTER CABLE, RH TAIL LIGHT	1	
30	5BWV-156905-5000-M1	EXTENSION POWER TERMINAL	1	
31	5BWV-156906-5000-M1	EXTENSION POWER TERMINAL CAP	1	
32	30006-060016810	BOLT M6x16	7	M6x16
33	6NTV-150900-C201-M1	T-BOX	1	
33	9DQV-151800-4001-M1	T-BOX	1	
33	9DQV-151800-4100-M2	T-BOX	1	
33	9DQV-151800-4300-M2	T-BOX	1	
33	6GUV-151800-6800-M1	T-BOX	1	
33	6GUV-151800-6900-M1	T-BOX	1	
33	6GUV-151800-7100-M1	T-BOX	1	
33	6GUV-151800-7300-M1	T-BOX	1	
33	6GUV-151800-7500-M1	T-BOX	1	
33	6KMV-150900-8001	T-BOX	1	AllyTech@South America except for Brazil
33	6NQV-150900-3001-M1	T-BOX	1	AllyTech@Eurasia and Africa and Australia except Turkey
33	6NQV-150900-8101-M1	T-BOX	1	
34	6KMV-150901-8001	RUBBER RING, T-BOX	2	
35	CFCV-156103-2000	T-BOX CONNECTOR PLUG	1	
36	5BWV-001000-5101	ECU ASSY	1	
36	5BWV-001000-5201	ECU ASSY	1	
37	30006-060025810	BOLT	8	M6x25
38	7030-040910	TIE BAND, BATTERY	1	
39	018B-178000	IGNITION COIL	2	
40	0JWV-179000-6000	HIGH-TENSION CABLE	2	
41	9010-150350	AUXILIARY RELAY	3	
42	5BY4-150330	AUXILIARY RELAY	5	
43	5BY0-150302	40A FUSE	2	
44	806A-151302	FUSE 10A	5	10A
45	806A-151305	FUSE 15A	4	15A
46	8010-151301	FUSE 5A	1	5A
47	806A-151307	25A FUSE	2	
48	806A-151306	20A FUSE	1	
49	CFCV-150010-4500	FUSE 2A	1	
50	5BY0-150305	CAP, DIAGNOSIS CONNECTOR	1	
51	7030-150005	TIE BAND	19	
52	8010-150003	TIE	18	5x250
53	9DS#-150009-6100-M1	TIE BAND ZDG4.7x194	4	
54	6GU#-150001-6000-M1	CLASP	3	
55	CFCV-CBC001-2001-M1	CLIP	1	

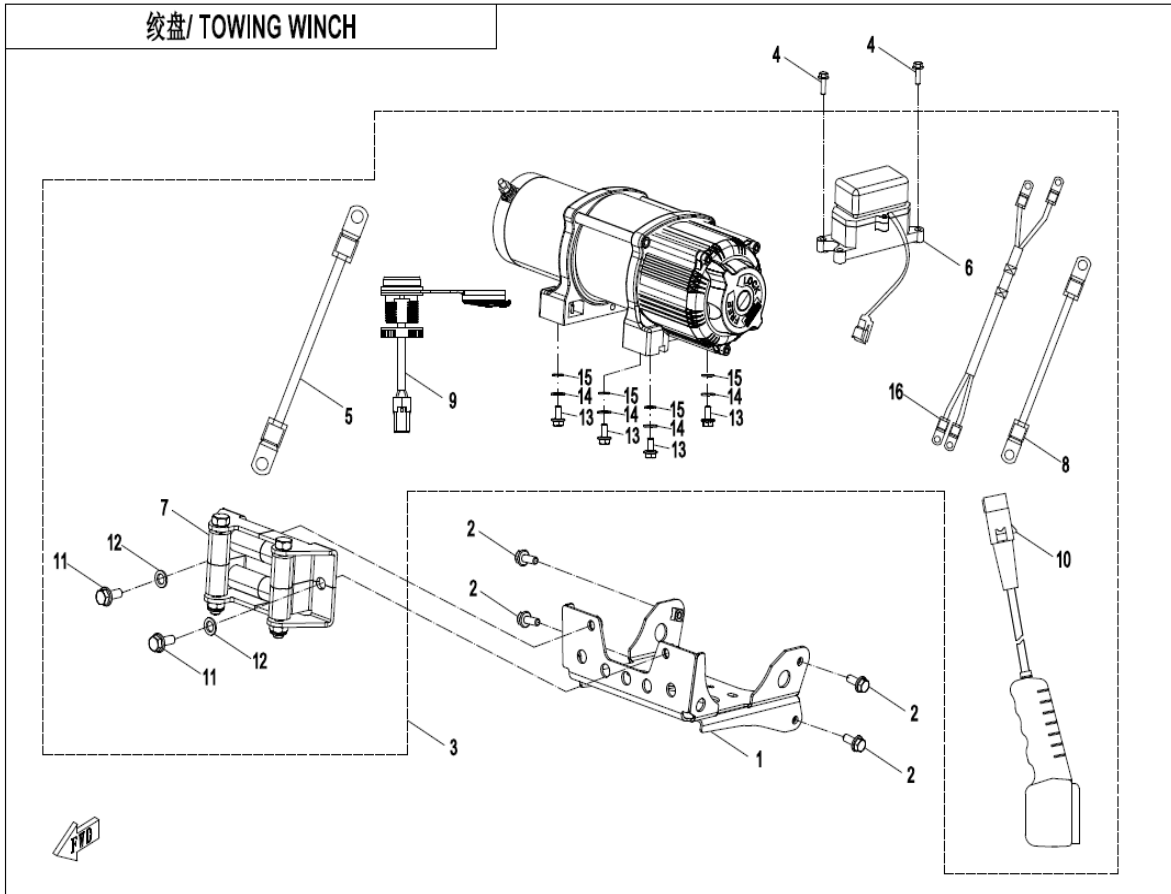
绞盘/ TOWING WINCH



F15-2-V1 TOWING WINCH

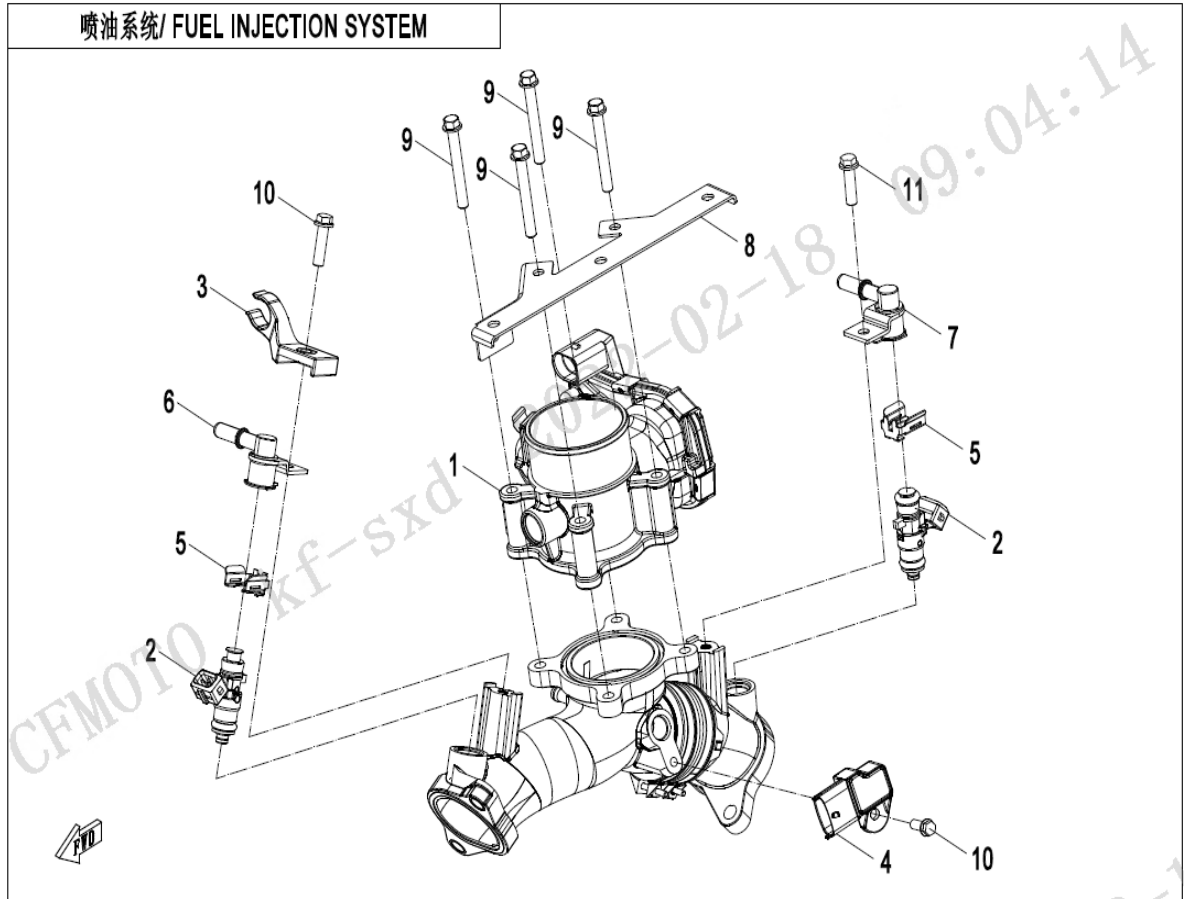
Item No.	Parts Number	Parts Name(EN)	Qty	Specification
01	5BWV-030200-5000	BRACKET, WINCH	1	
02	30006-080020810	BOLT M8x20	4	M8x20
03	5BWV-150700-5001	WINCH ASSY	1	
04	30006-060022810	BOLT	2	@
05	30110-420160010	SCREW	2	ST4.2x16
06	5HYV-150720-1C00	WINCH CONTROL RELAY	1	
07	7030-150790	CABLE PULLEY	1	
08	5HYV-1507A0	REMOTE CONTROLLER, WINCH	1	
09	5BWV-150730-5000	CONTROL SWITCH SEAT, WINCH	1	
10	7030-150770	CONTROL LEVER, WINCH	1	
11	30006-102025810	BOLT M10x1.25x25	2	M10x1.25x25
12	30303-100112	WASHER	2	
13	30006-080025810	BOLT	4	M8x25
14	30303-080112	WASHER	4	8
15	30304-080420	WASHER	4	
16	5BWV-150741-5000	CABLE, WINCH MOTOR	1	
17	5BWV-150743-5000	NEGATIVE CABLE, WINCH POWER	1	

绞盘/ TOWING WINCH



F15-2-V2 TOWING WINCH

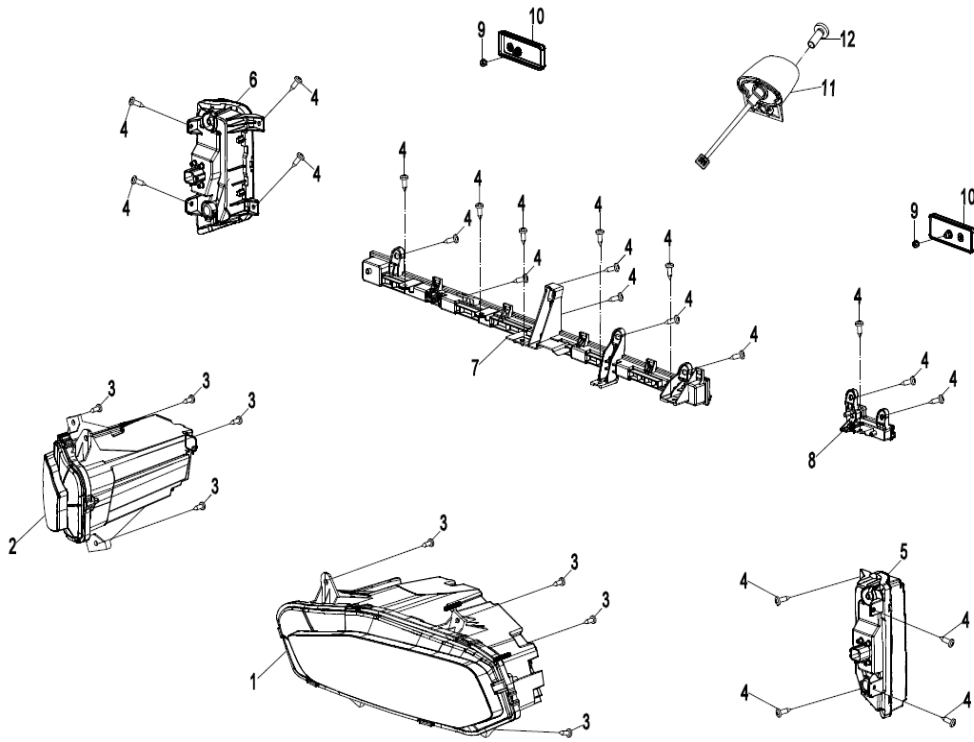
Item No.	Parts Number	Parts Name(EN)	Qty	Specification
01	5BWV-030200-5000	BRACKET, WINCH	1	
02	30006-080020810	BOLT M8x20	4	M8x20
03	5BWV-150700-5001	WINCH ASSY	1	
04	30006-060022810	BOLT	2	@
05	5BWV-150742-5000	WINCH POWER POSITIVE WIRE	1	
06	5HYV-150720-1C00	WINCH CONTROL RELAY	1	
07	7030-150790	CABLE PULLEY	1	
08	5BWV-150743-5000	NEGATIVE CABLE, WINCH POWER	1	
09	5BWV-150730-5000	CONTROL SWITCH SEAT, WINCH	1	
10	7030-150770	CONTROL LEVER, WINCH	1	
11	30006-102025810	BOLT M10x1.25x25	2	M10x1.25x25
12	30303-100112	WASHER	2	
13	30006-080025810	BOLT	4	M8x25
14	30303-080112	WASHER	4	8
15	30304-080420	WASHER	4	
16	5BWV-150741-5000	CABLE, WINCH MOTOR	1	



F15-3 FUEL INJECTION SYSTEM

Item No.	Parts Number	Parts Name(EN)	Qty	Specification
01	0GS0-173000	THROTTLE BODY	1	
02	0GS0-171000-10000	FUEL INJECTOR	2	
03	0JY#-170005-1500	BRACKET, RH FUEL INJECTOR HOSE	1	
04	0JY0-175000	T-MAP	1	
05	0JYA-170001	CLASP	2	
06	0JYA-170010-10000	INJECTOR CAP 1	1	
07	0JYA-170020-10000	INJECTOR CAP 2	1	
08	0JWV-170001-6000	WIRE CLIP 1, ENGINE	1	
09	0010-013010-0010	BOLT M6x50	4	M6x50
10	0010-023010-0010	BOLT M6x20	2	M6x20
11	0010-090005-0010	BOLT M6x16	1	M6x16

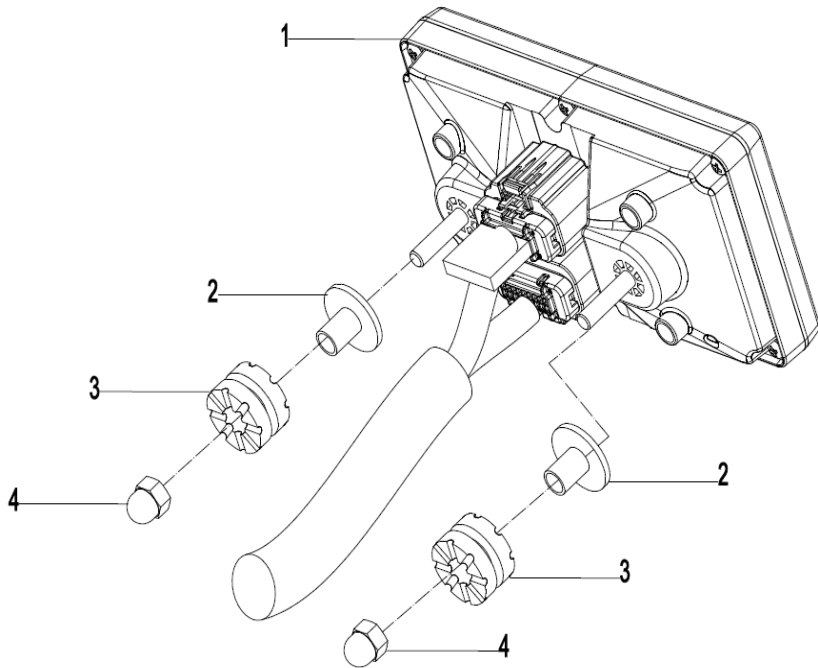
灯具/LIGHTS



F16 LIGHTS

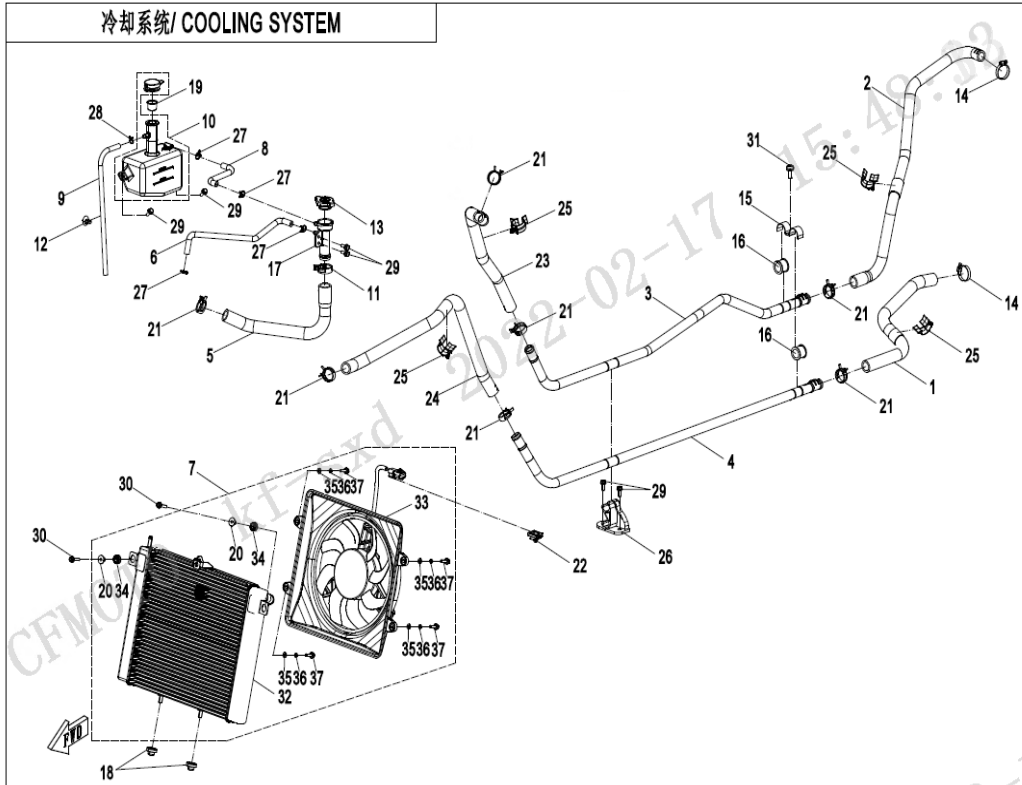
Item No.	Parts Number	Parts Name(EN)	Qty	Specification
01	5BWV-160110-5000	LH HEADLIGHT	1	
02	5BWV-160120-5000	RH HEADLIGHT	1	
03	5BWV-040008-5000	INNER HEX BOLT M6x20	8	M6x20
04	5BWV-040015-5000	INNER HEX SLEF-TAPPING SCREW ST4.8x13	22	ST4.8x13
05	5BWV-160210-5000	LH TAIL LIGHT ASSY	1	NO TURN SIGNAI
05	5BWV-160210-5200	LH TAIL LIGHT ASSY	1	
06	5BWV-160220-5000	RH TAIL LIGHT ASSY	1	NO TURN SIGNAI
06	5BWV-160220-5200	RH TAIL LIGHT ASSY	1	
07	5BWV-160320-5000	DECO PART, DASHBOARD	1	LONG
08	5BWV-160310-5000	DECO PART, DASHBOARD	1	SHORT
09	30202-050110	NUT M5	2	M5
10	5BY0-160450	REFLECTOR	2	
11	9CR6-161400-10000	T3 LICENSE LIGHT	1	
12	30105-050012410	SCREW M5x12	1	M5x12

仪表/ DASHBOARD



F17 DASHBOARD

Item No.	Parts Number	Parts Name(EN)	Qty	Specification
01	5BWV-170100-5000	LCD DASHBOARD	1	
01	5BWV-170100-5001	LCD DASHBOARD	1	
02	5020-031002	RUBBER SLEEVE LINER, FRONT LICENSE BRACKET	2	
03	5020-031001	RUBBER SLEEVE, FRONT LICENSE BRACKET	2	
04	30206-060570	NUT	2	



F18 COOLING SYSTEM

Item No.	Parts Number	Parts Name(EN)	Qty	Specification
01	5BWV-180003-5000	WATER INLET PIPE, ENGINE	1	
02	5BWV-180004-5000	WATER OUTLET PIPE, ENGINE	1	
03	5BWV-180005-5000	WATER INLET PIPE, ALUMINUM	1	
04	5BWV-180006-5000	WATER OUTLET PIPE, ALUMINUM	1	
05	5BWV-180007-5000	JOINT PIPE, WATER FILLER	1	
06	5BWV-180008-5000	OVERFLOW HOSE, RADIATOR	1	
07	5BWV-181000-5000	RADIATOR ASSY	1	
08	5HY0-180003	CONNECTING PIPE, RESERVOIR TANK	1	
09	5HY0-180008	OVERFLOW HOSE, RESERVOIR	1	
10	5HY0-180010	RESERVOIR TANK ASSY	1	
11	7000-180007-00001	STEEL BAND CLAMP 34	1	
12	7030-150005	TIE BAND	1	
13	8010-180024	CAP, WATER FILLER	1	
14	9010-180007	CLAMP, WATER HOSE	2	
15	9030-180006	CLASP, WATER HOSE	1	
16	9030-180009	RUBBER COLLAR, WATER HOSE	2	
17	9060-180025-1000	WATER FILLING PORT	1	
18	9060-180026	PIN RUBBER CAP, RADIATOR	2	
19	9060-180903	GASKET, RESERVOIR	1	
20	9060-180029	RUBBER CUSHION TUBE, RADIATOR	2	
21	A000-180006	CLAMP B30	7	B30
22	CFCV-CAC002-2000-M1	CLIP	1	
23	5BWV-180001-5000	WATER INLET PIPE, RADIATOR	1	
24	5BWV-180002-5000	WATER OUTLET PIPE, RADIATOR	1	
25	5ASV-180008-6000	HOSE CLIP	4	
26	5BWV-043054-5000	BRACKET, WATER PIPE	1	
27	30601-113010	CLAMP A13	4	A13
28	30601-111010	CLAMP A11	1	A11
29	30006-060016810	BOLT M6x16	6	M6x16
30	30006-060025810	BOLT	2	M6x25
31	30112-060016410	SCREW ASSY M6x16	1	M6x16
32	5BWV-181100-5000	RADIATOR	1	
33	5BWV-181200-5000	FAN MOTOR	1	
34	6KM#-181001-8001	DAMPING RUBBER MAT	2	
35	30306-060112	WASHER	4	6
36	30303-060920	WASHER	4	6
37	30006-060020810	BOLT M6x20	4	M6x20

5BWV个性贴花总成-美规

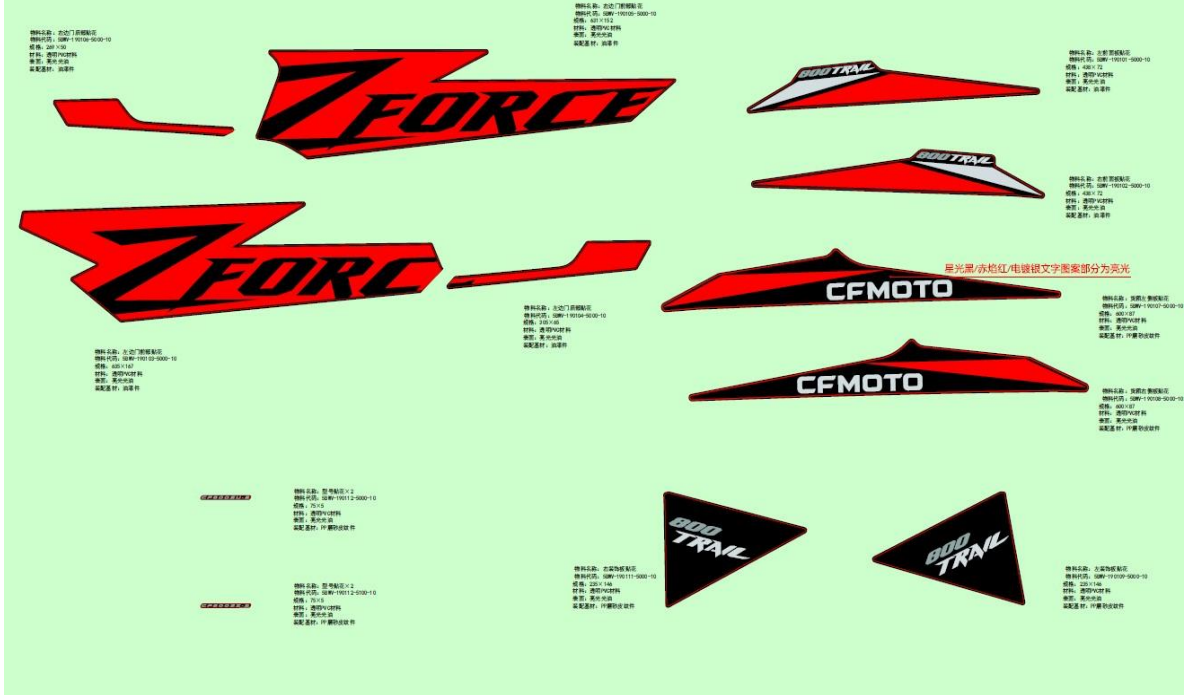
星光黑配色

刀模(半模)

赤焰红
 星光黑
 电镀银
 Pantone Cool Gray 7 C
 皮文件颜色黑色

技术要求

1. 材料要求: G 10000;
2. 颜色: 100% 白;
3. 厚度: 0.15mm;
4. 尺寸: 按图面标注, ±0.40mm;
5. 其它: 按图面。

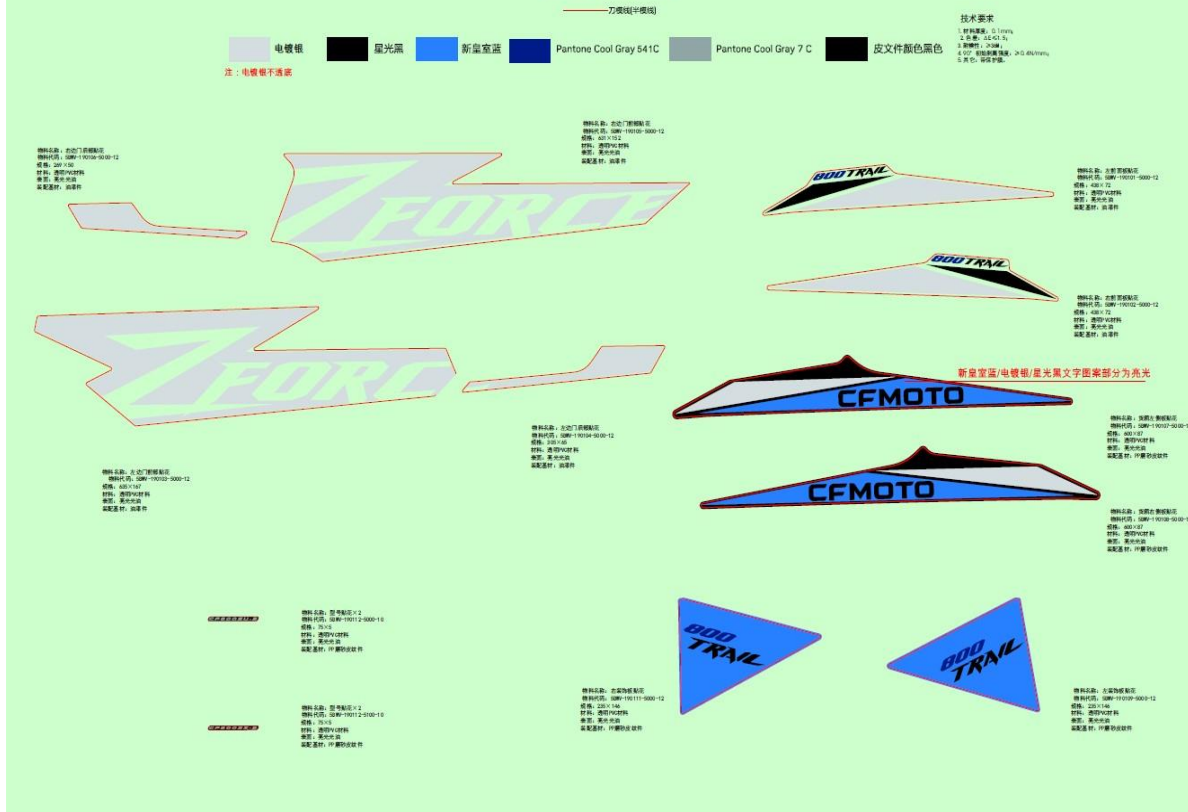


F19-1-A DECAL (NEBULA BLACK)

Item No.	Parts Number	Parts Name(EN)	Qty	Specification
1	5BW2-1902B0	DECAL KIT	1	
2	5BWV-190101-5000-10	DECAL, LH TOP COVER	1	
3	5BWV-190102-5000-10	DECAL, RH TOP COVER	1	
4	5BWV-190103-5000-10	FRONT DECAL, LH SIDE DOOR	1	
5	5BWV-190104-5000-10	REAR DECAL, LH SIDE DOOR	1	
6	5BWV-190105-5000-10	FRONT DECAL, RH SIDE DOOR	1	
7	5BWV-190106-5000-10	REAR DECAL, RH SIDE DOOR	1	
8	5BWV-190107-5000-10	LH SIDE PLATE DECAL,CARGO BOX	1	
9	5BWV-190108-5000-10	RH SIDE PLATE DECAL,CARGO BOX	1	
10	5BWV-190109-5000-10	DECAL, LH DECO PLATE	1	
11	5BWV-190111-5000-10	DECAL, RH DECO PLATE	1	
12	5BWV-190112-5100-10	MODEL DECAL	2	

5BWV个性贴花总成-美规

新皇室蓝配色



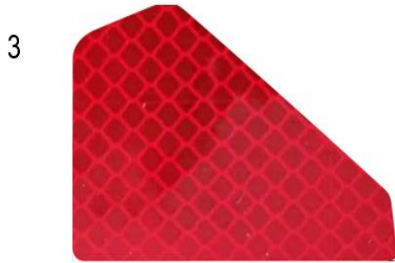
F19-1-C DECAL (NEW ROYAL BLUE)

Item No.	Parts Number	Parts Name(EN)	Qty	Specification
1	5BW2-1902B0-20000	DECAL KIT	1	
2	5BWV-190101-5000-12	DECAL, LH TOP COVER	1	
3	5BWV-190102-5000-12	DECAL, RH TOP COVER	1	
4	5BWV-190103-5000-12	FRONT DECAL, LH SIDE DOOR	1	
5	5BWV-190104-5000-12	REAR DECAL, LH SIDE DOOR	1	
6	5BWV-190105-5000-12	FRONT DECAL, RH SIDE DOOR	1	
7	5BWV-190106-5000-12	REAR DECAL, RH SIDE DOOR	1	
8	5BWV-190107-5000-12	LH SIDE PLATE DECAL,CARGO BOX	1	
9	5BWV-190108-5000-12	RH SIDE PLATE DECAL,CARGO BOX	1	
10	5BWV-190109-5000-12	DECAL, LH DECO PLATE	1	
11	5BWV-190111-5000-12	DECAL, RH DECO PLATE	1	
12	5BWV-190112-5100-10	MODEL DECAL	2	



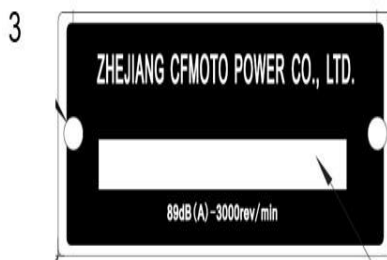
F19-2-A WARNING LABEL

Item No.	Parts Number	Parts Name(EN)	Qty	Specification
1	5BYV-190001-A000	WARNING LABEL, DRIVING	1	
2	9AW#-190007-2410	LABEL, ENGINE OI	1	
3	9AWA-190008	LABEL, GEARCASE OIL	1	
4	5HYO-190009-10000	DECAL,HOMOLOGATION	1	
5	5BWV-190011-5000	WARNING LABEL, SAFETY	1	
6	5BWV-190012-5000	INSTRUCTION LABEL, CARGO BOX LOAD	1	
7	5BWV-190013-5000	INSTRUCTION LABEL, TOWING LOAD	1	
8	5BWV-190014-5000	INSTRUCTION LABEL, GEAR OPERATION	1	
9	5BWV-190015-5000	WARNING LABEL, ANTI-ROLLING BAR	1	
10	5BWV-190016-5000	VEHICLE LEAN TEST TAG	1	
11	905B-190412	LABEL, EXHAUST GAS RECYCLING DRAWING	1	
12	905B-190413	WARNING DECAL, ENGINE OIL	1	
13	5HYO-190021	LABEL, WINCH CONTROL LEVER	1	
14	5ASV-190021-6000	LH WARNING LABEL, ANTI-ROLLING BAR	1	
15	5ASV-190022-6000	RH WARNING LABEL, ANTI-ROLLING BAR	1	



F19- REFLECTOR

Item No.	Parts Number	Parts Name(EN)	Qty	Specification
1	5BWV-190005-5000	LH FRONT REFLECTIVE FILM	1	
2	5BWV-190006-5000	RH FRONT REFLECTIVE FILM	1	
3	5BWV-190007-5000	LH REAR REFLECTIVE FILM	1	
4	5BWV-190008-5000	RH REAR REFLECTIVE FILM	1	



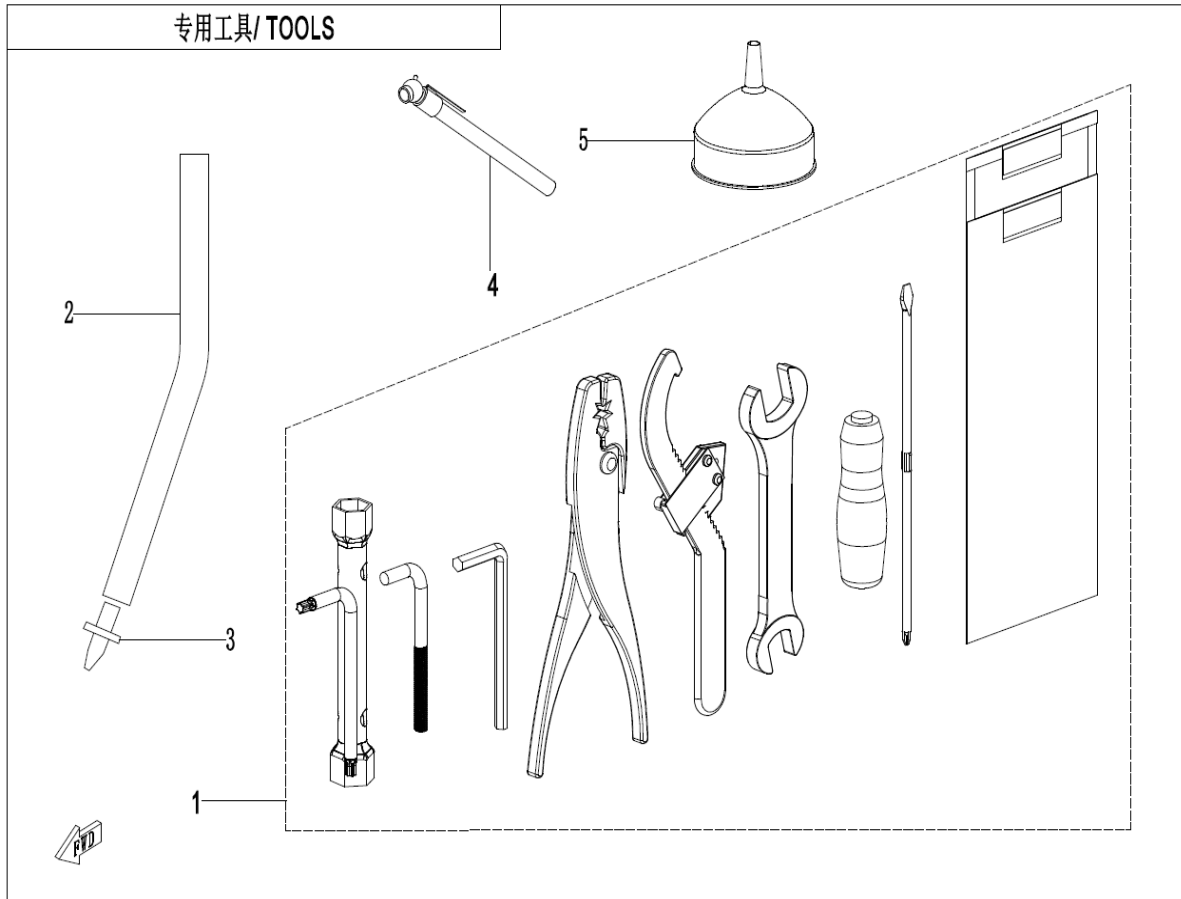
F19-4-V1 VEHICLE PLATE

Item No.	Parts Number	Parts Name(EN)	Qty	Specification
01	5BY#-190011-1000	VEHICLE PLATE	1	
02	5HY0-190011-10000	VIN PLATE	1	
03	703A-190011	VIN PLATE	1	AUSTRALIA
04	9GQ0-190003	VEHICLE PLATE_2020	1	



F19-4-V2 VEHICLE PLATE

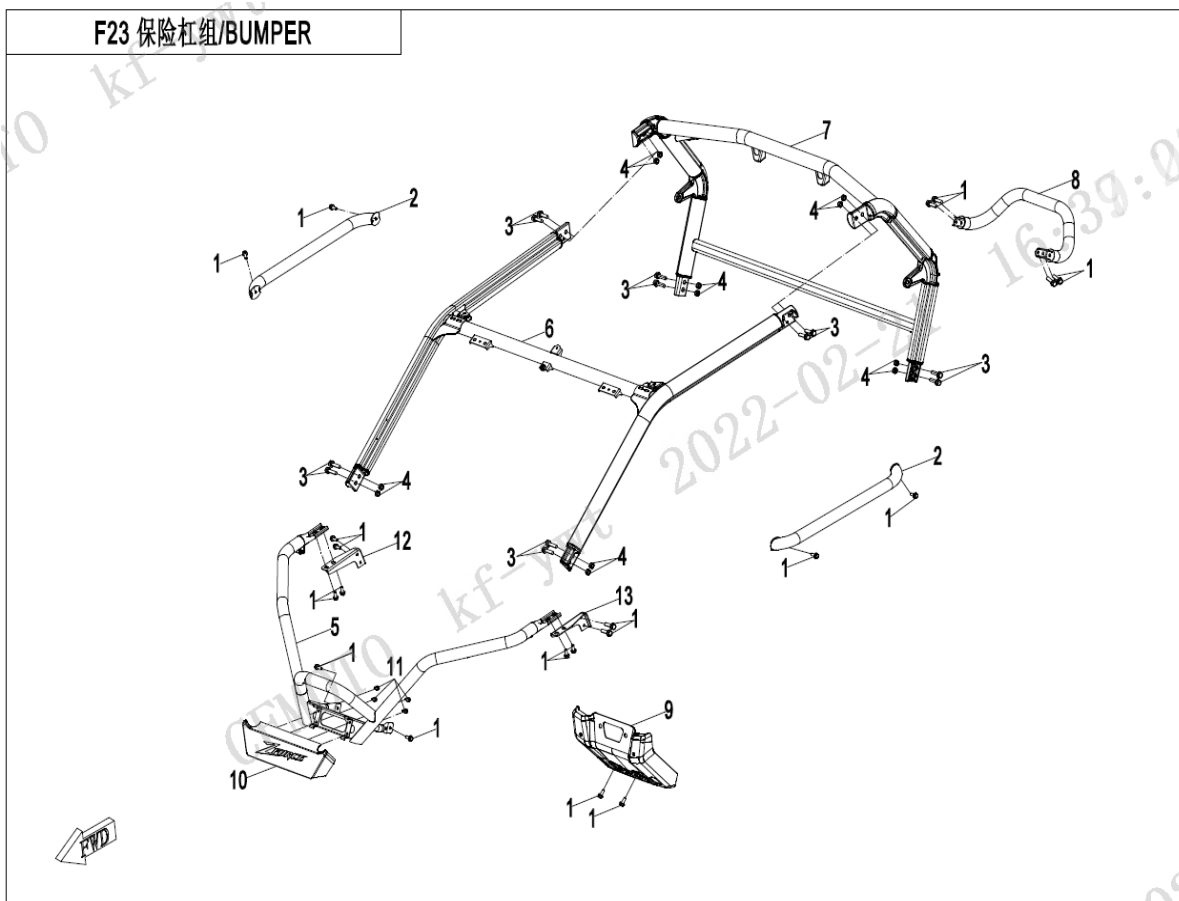
Item No.	Parts Number	Parts Name(EN)	Qty	Specification
01	5BY#-190011-1000	VEHICLE PLATE	1	
02	5HYV-190011-1A00	VIN PLATE	1	CAN UZ
03	703A-190011	VIN PLATE	1	AUSTRALIA
04	9GQ0-190003	VEHICLE PLATE_2020	1	



F20 TOOLS

Item No.	Parts Number	Parts Name(EN)	Qty	Specification
01	5BWV-200100-5000	TOOL KIT	1	
02	703V-200102-1400	FUNNEL EXTENSION HOSE	1	
03	703A-200103	FUNNEL EXTENSION HOSE	1	
04	TFQ002	PENCIL TIRE PRESSURE GAUGE	1	
05	7030-200101	FILLER, ENGINE OIL	1	

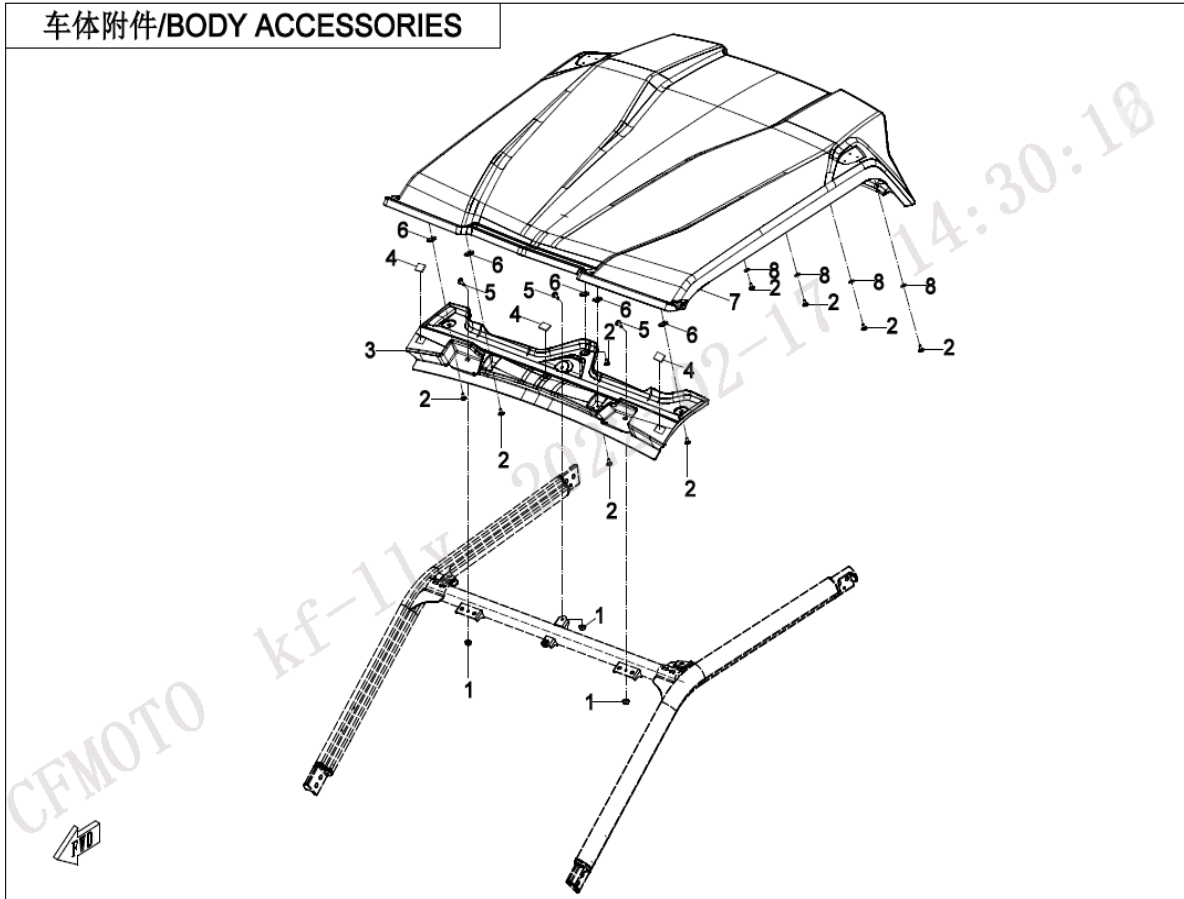
F23 保险杠组/BUMPER



F23 BUMPER

Item No.	Parts Number	Parts Name(EN)	Qty	Specification
1	30006-080020810	BOLT M8x20	20	M8x20
2	5BWV-230330-5000	SIDE BUMPER ASSY	2	MAUD SPIRIT BLACK
3	30006-102035110	BOLT M10x1.25x35	12	M10x1.25x35
4	30225-102810	NUT M10x1.25	12	M10x1.25
5	5BWV-230300-5000	FRONT BUMPER ASSY	1	MAUD SPIRIT BLACK
6	5BWV-230100-5000	FRONT CAB ASSY	1	MAUD SPIRIT BLACK
7	5BWV-230200-5000	REAR CAB ASSY	1	MAUD SPIRIT BLACK
8	5BWV-230350-5000	REAR BUMPER ASSY	1	MAUD SPIRIT BLACK
9	5BWV-230440-5000	WINCH GUARD ASSY	1	
9	5BWV-230440-5001	WINCH GUARD ASSY	1	
10	5BWV-230430-5000	DECO GUARD, FRONT BUMPER	1	
11	30006-060016810	BOLT M6x16	4	M6x16
12	5BWV-230522-5000	RH ADAPTER BRACKET, FRONT BUMPER	1	
13	5BWV-230521-5000	LH ADAPTER BRACKET, FRONT BUMPER	1	

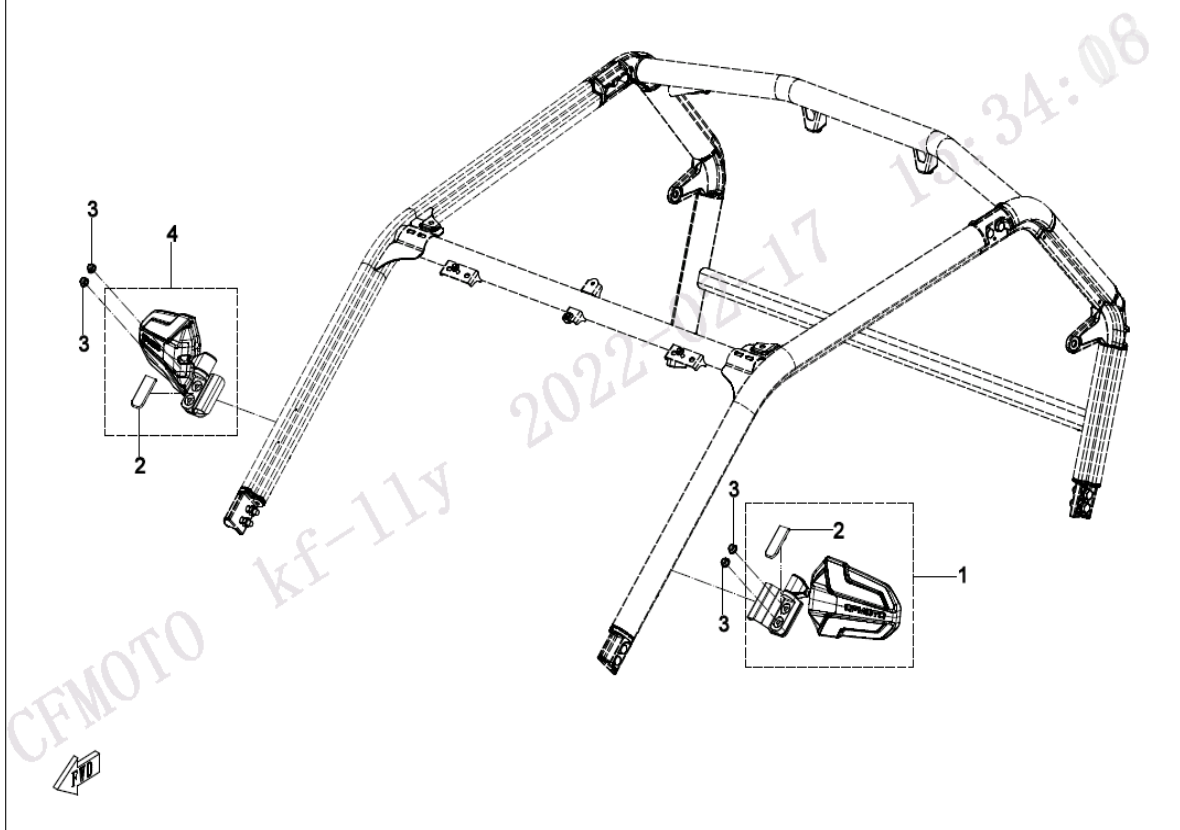
车体附件/BODY ACCESSORIES



F26-1 BODY ACCESSORIES

Item No.	Parts Number	Parts Name(EN)	Qty	Specification
01	30206-060570	NUT	3	
02	5BWV-040008-5000	INNER HEX BOLT M6x20	9	M6x20
03	5BWV-260212-5000	BRACKET, PLASTIC TOP ROOF	1	
04	6KM#-040066-8001	SPONGE STRAP	3	
05	5BWV-040001-5000	INNER HEX BOLT M6x14	3	M6x14
06	8030-040800-00001	NUT CLIP M6	5	M6
07	5BWV-260211-5000	PLASTIC TOP ROOF	1	
08	30301-060470	RETAINER	4	

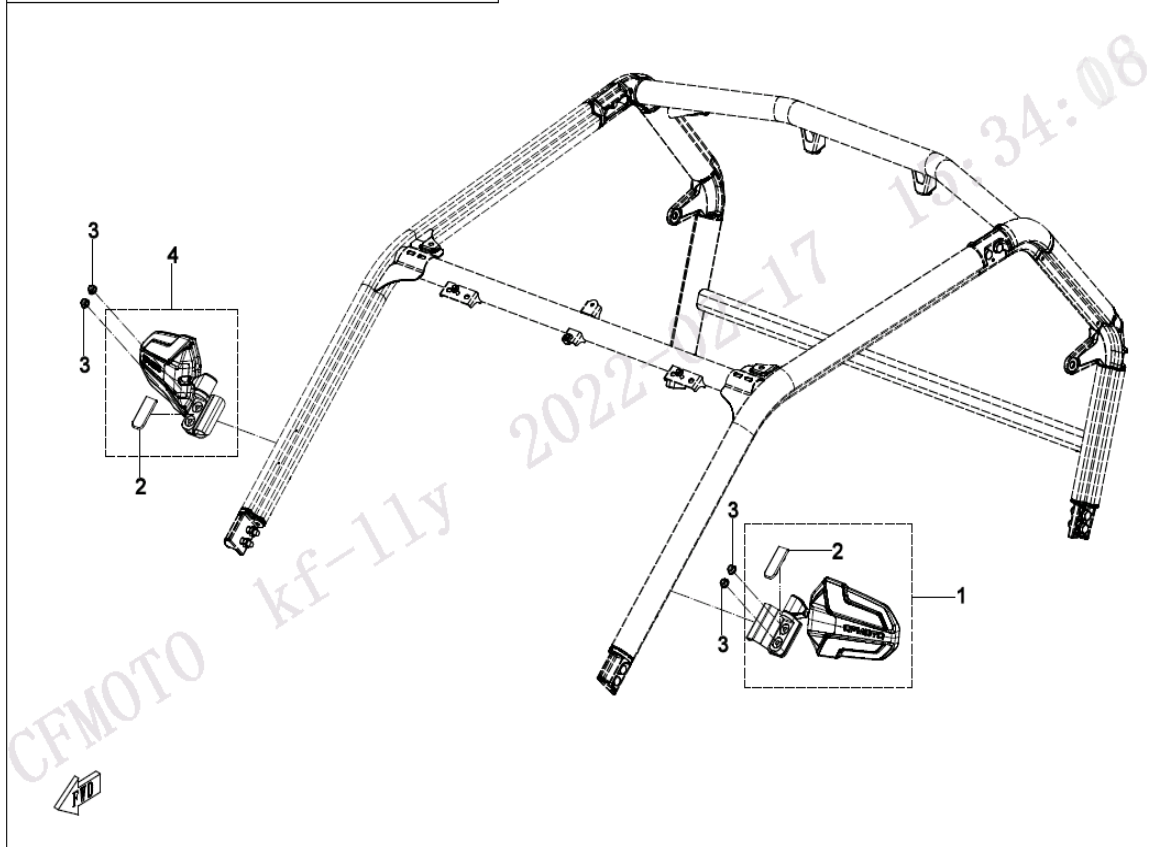
车体附件/ BODY ACCESSORIES



F26-2-V1 BODY ACCESSORIES

Item No.	Parts Number	Parts Name(EN)	Qty	Specification
01	5BWV-260100-5000	LH REAR VIEW MIRROR ASSY	1	
02	5BWV-260110-5000	BOLT PLUG	2	
03	30204-080810	NUT M8	4	M8
04	5BWV-260200-5000	RH REAR VIEW MIRROR ASSY	1	

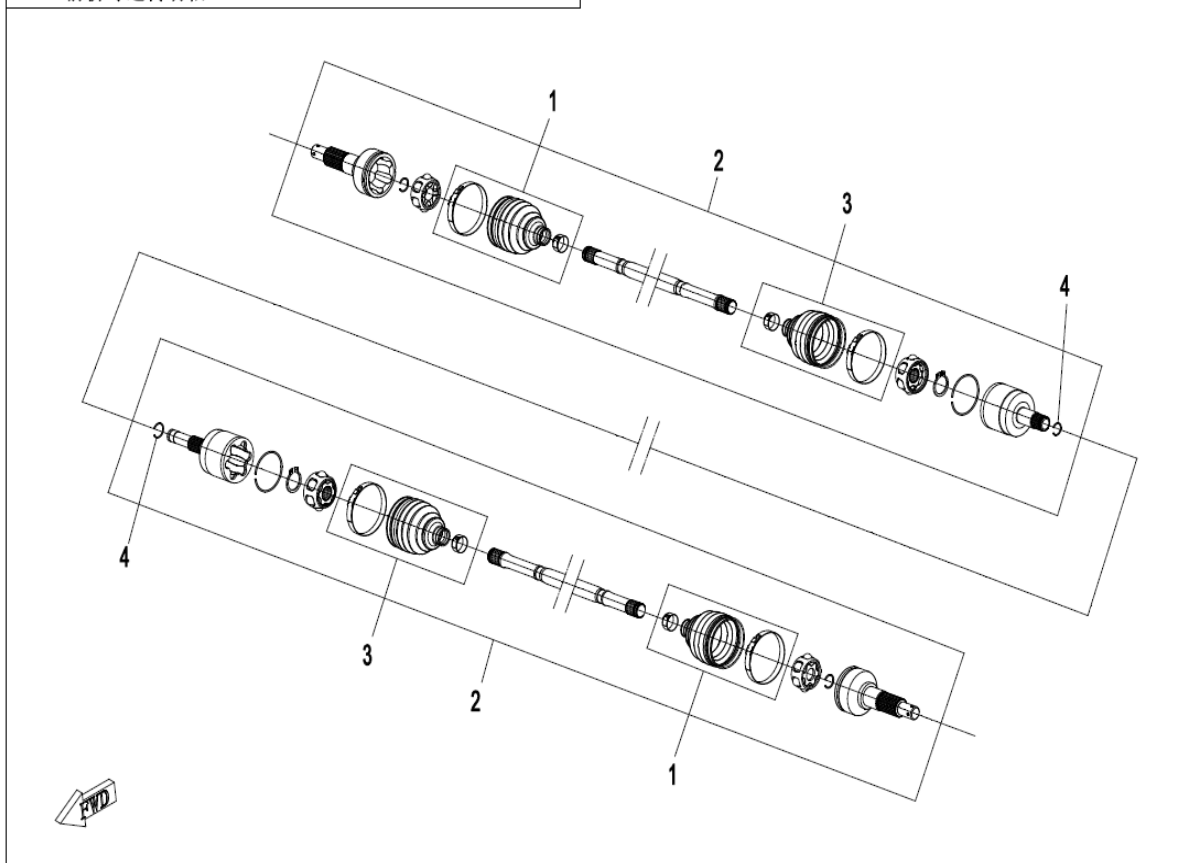
车体附件/ BODY ACCESSORIES



F26-2-V2 BODY ACCESSORIES

Item No.	Parts Number	Parts Name(EN)	Qty	Specification
01	5BWV-260100-5001	LH REAR VIEW MIRROR	1	
02	5BWV-260110-5001	BOLT PLUG	2	
03	30204-080810	NUT M8	4	M8
04	5BWV-260200-5001	RH REAR VIEW MIRROR	1	

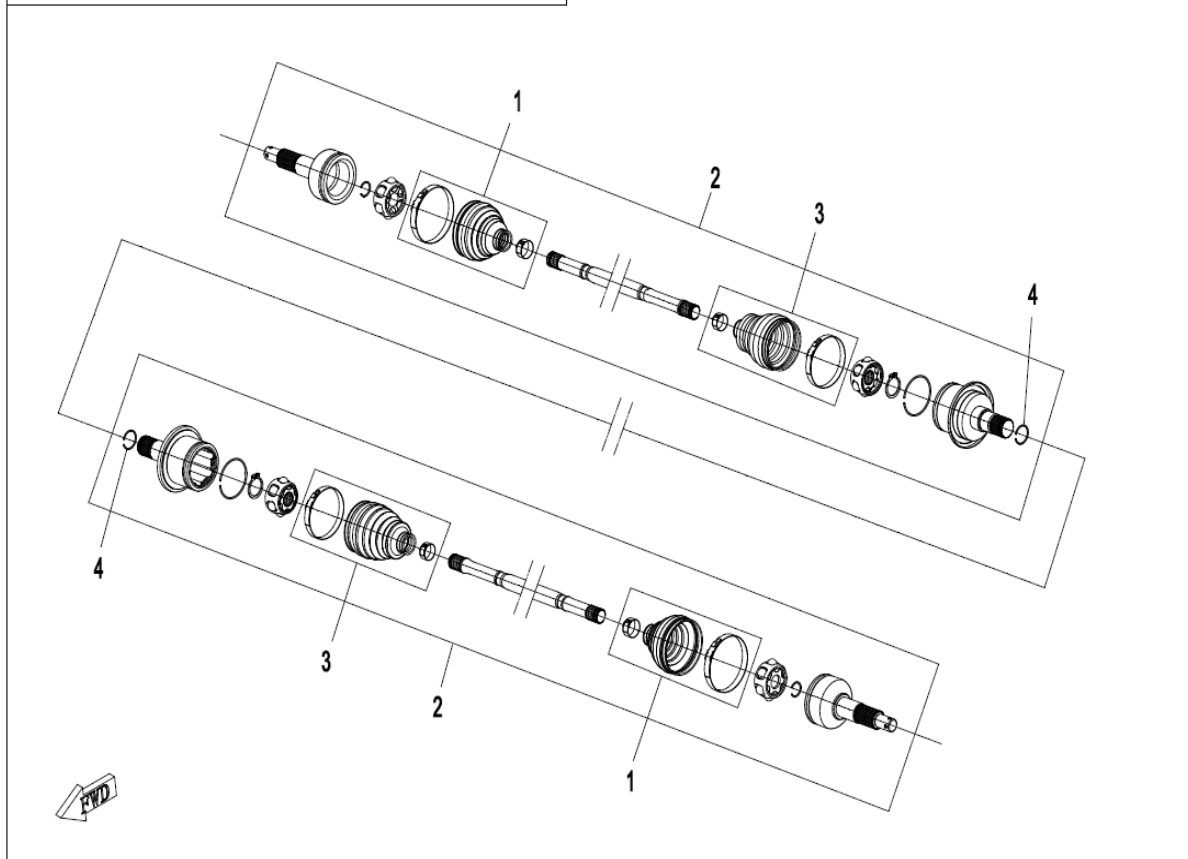
F27 前桥等速传动轴/Front CV Shaft



F27 FRONT CV SHAFT

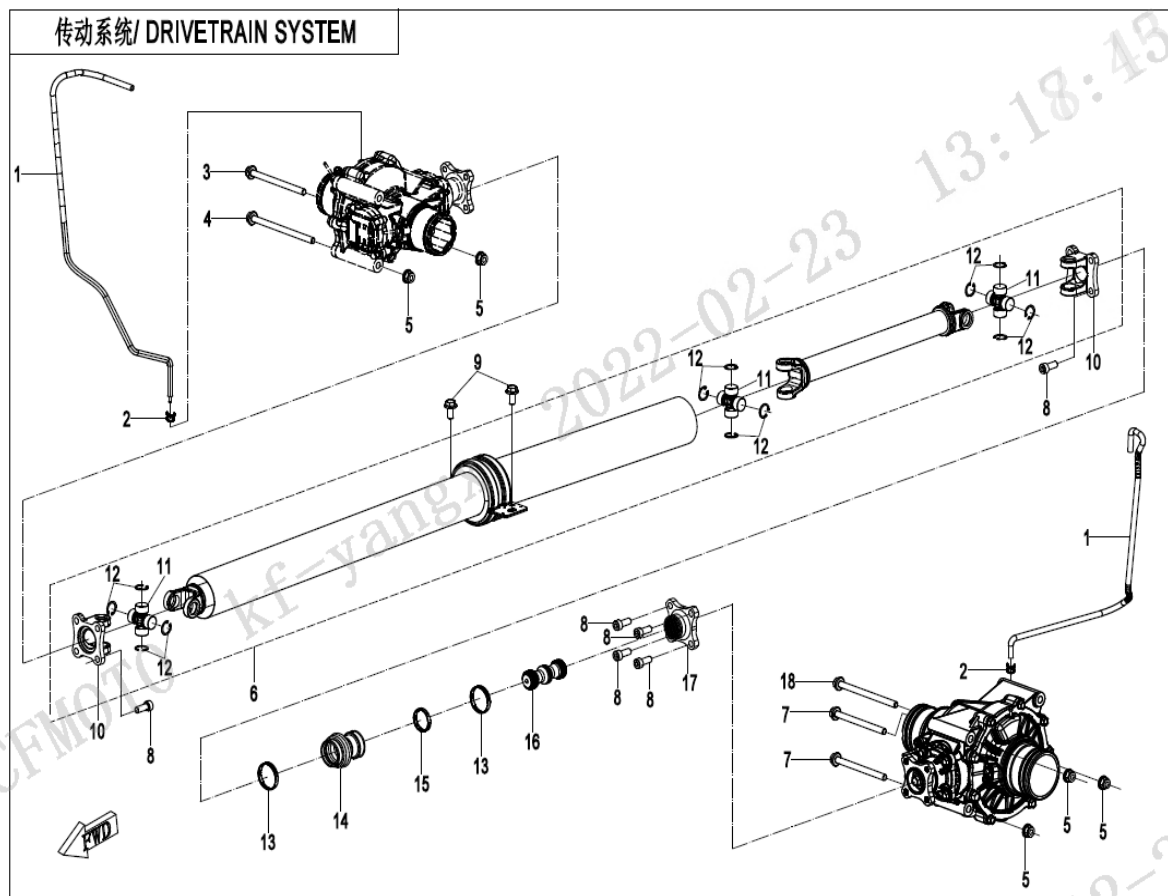
Item No.	Parts Number	Parts Name(EN)	Qty	Specification
01	5HY0-2803A0-10000	DUST BOOT, REAR FIXED END	2	
02	5BWV-270300-5000	FRONT CV DRIVE SHAFT	2	
03	9GQ0-280150	DUST BOOT KIT, FIXED END	2	
04	9010-270203	WIRE CIRCLIP	2	

F28 后桥等速传动轴/REAR CV SHAFT



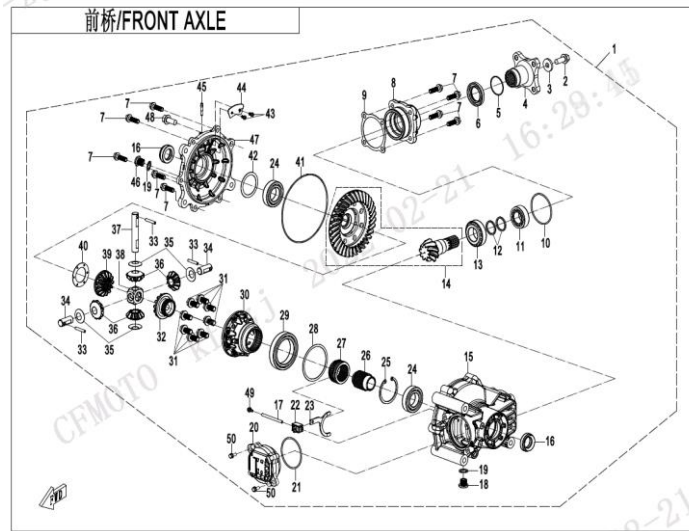
F28 REAR CV SHAFT

Item No.	Parts Number	Parts Name(EN)	Qty	Specification
01	5HY0-2803A0-10000	DUST BOOT, REAR FIXED END	2	
02	5BWV-280300-5000	REAR CV DRIVE SHAFT	2	
03	5HY0-2803B0	DUST BOOT KIT, REAR MOTION JOINT	2	
04	5BWB-280302	CIRCLIP	2	



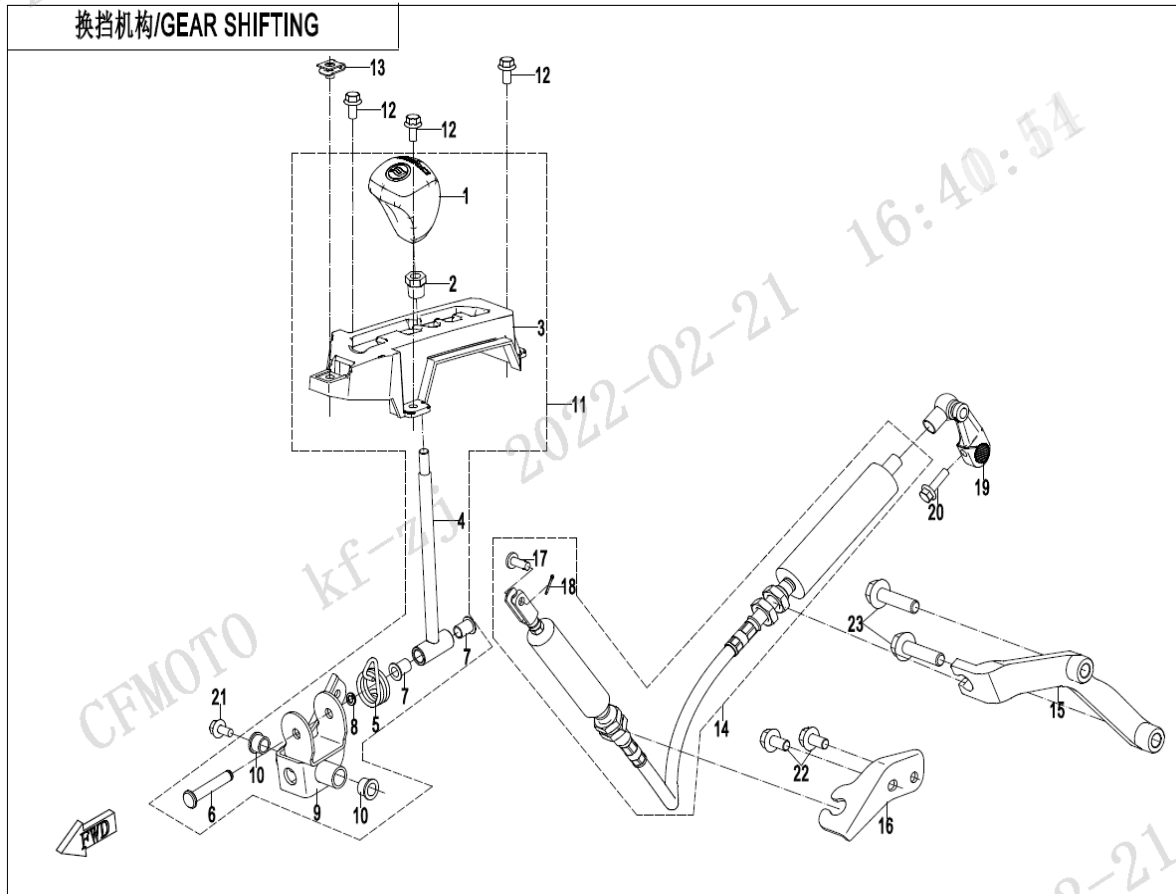
F30 DRIVETRAIN SYSTEM

Item No.	Parts Number	Parts Name(EN)	Qty	Specification
1	9010-310001	BREATHER HOSE, FRONT GEAR CASE	2	
2	30601-108010	CLAMP A8	2	A8
3	30006-102130810	BOLT M10x1.25x130	1	M10x1.25x130
4	30001-102150110	BOLT M10x1.25x150	1	M10x1.25x150
5	30204-102810	NUT M10x1.25	5	M10x1.25
6	5BWV-290100-5000	FRONT DRIVE SHAFT	1	
7	30006-102120810	BOLT M10x1.25x120	2	M10x1.25x120
8	30102-102025810	SCREW M10x1.25x25	12	M10x1.25x25
9	30006-102025810	BOLT M10x1.25x25	2	M10x1.25x25
10	9GQ0-290201	FRONT CONNECTING FLANGE COUPLER	2	
11	9GQ0-290210	CROSS SHAFT, UNIVERSAL JOINT	3	
12	30800-02205	CIRCLIP FOR HOLE	12	22
13	9GQ0-290104	BIG CLAMP	2	
14	5HY0-300102	SEAL BOOT, REAR DRIVE SHAFT	1	
15	9CR6-300204	SMALL CLAMP	1	
16	5HY0-300101	CORE SHAFT, REAR DRIVE SHAFT	1	
17	9CR6-300206-10000	DRIVE SLEEVE, REAR GEAR CASE	1	
18	30006-102140810	BOLT M10x1.25x140	1	M10x1.25x140



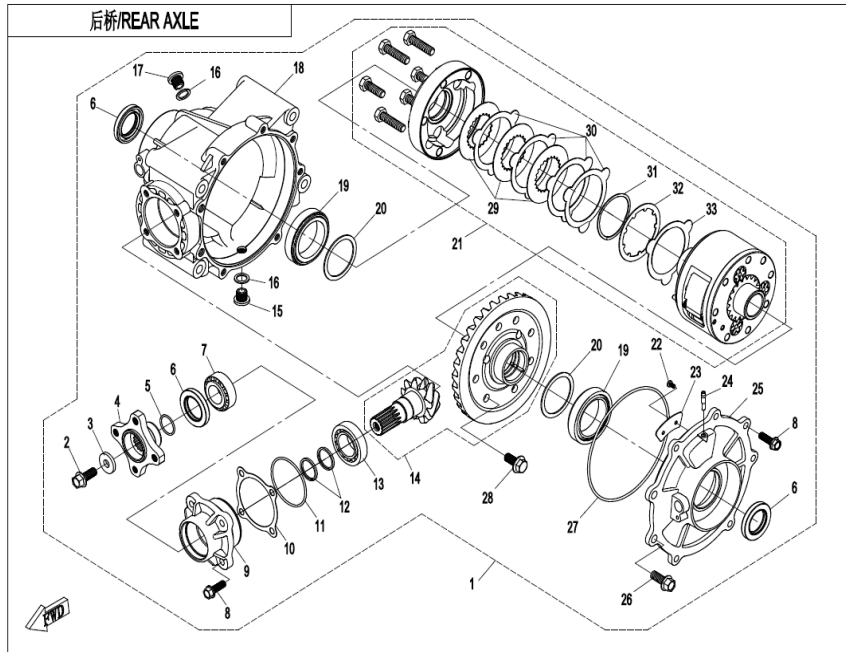
F31 FRONT AXLE

Item No.	Parts Number	Parts Name(EN)	Qty	Specification
1	Q890-310000-20000	FRONT GEAR CASE ASSY	1	
2	Q890-062203	BOLT M10x1.25x20	1	M10x1.25x20
3	Q890-062204	WASHER 10x27.5x4	1	10x27.5x4
4	QJYA-060103	REAR OUTPUT COUPLER	1	
5	0800-062205	O-SEAL RING 25x2	1	25x2
6	0800-062204	OIL SEAL 35x50x7	1	35x50x7
7	0110-060011-0010	BOLT M8x28	9	M8x28
8	Q830-311002-00001	BEARING SEAT	1	
9	Q830-310023-00100	ADJUSTING WASHER T=0.20	1	T=0.20
9	Q830-310023-00200	ADJUSTING WASHER T=0.30	1	T=0.30
10	Q830-310006-10000	O-RING 55x2.5	1	55x2.5
11	30409-02500	BEARING	1	33005(25x47x17)
12	Q830-311003-00100	ADJUSTING WASHER 32x25.4 T=2.10	2	T=2.10
12	Q830-311003-00200	ADJUSTING WASHER 32x25.4 T=2.20	2	T=2.20
12	Q830-311003-00300	ADJUSTING WASHER 32x25.4 T=2.30	2	T=2.30
12	Q830-311003-00400	ADJUSTING WASHER 32x25.4 T=2.40	2	T=2.40
12	Q830-311003-00500	ADJUSTING WASHER 32x25.4 T=2.42	2	T=2.42
12	Q830-311003-00600	ADJUSTING WASHER 32x25.4 T=2.44	2	T=2.44
12	Q830-311003-00700	ADJUSTING WASHER 32x25.4 T=2.46	2	T=2.46
12	Q830-311003-00800	ADJUSTING WASHER 32x25.4 T=2.48	2	T=2.48
12	Q830-311003-00900	ADJUSTING WASHER 32x25.4 T=2.50	2	T=2.50
12	Q830-311003-01000	ADJUSTING WASHER 32x25.4 T=2.60	2	T=2.60
12	Q830-311003-01100	ADJUSTING WASHER 32x25.4 T=2.70	2	T=2.70
12	Q830-311003-01200	ADJUSTING WASHER 32x25.4 T=2.80	2	T=2.80
12	Q830-311003-01300	ADJUSTING WASHER 32x25.4 T=2.90	2	T=2.90
12	Q830-311003-01400	ADJUSTING WASHER 32x25.4 T=3.00	2	T=3.00
13	30409-03000	BEARING	1	32006(30x55x17)
14	Q890-3130A0	BEVEL GEAR, FRONT GEAR CASE	1	
15	Q890-310001	FRONT GEAR CASE	1	
16	0180-311001	OIL SEAL 24x38x8	2	24x38x8
17	Q830-310003	PIN SHAFT	1	
18	0180-332100	OIL DRAIN BOLT M14x1.25x12, MAGNETIC	1	M14x1.25x12
19	0180-011006	GASKET 14	2	14
20	Q890-314000-10000	MOTOR ASSY, FRONT GEAR CASE	1	Kaidi PLUG
21	Q830-310012-10000	O-RING 67.5x2	1	
22	Q890-310010	BLOCK ASSY.	1	
23	Q890-310003	SHIFT FORK	1	
24	30400-03001	BEARING 30x55x13	2	6006
25	30800-05505	CIRCLIP FOR HOLE 55	1	55
26	Q830-310014	DRIVE CLUTCH COVER	1	
27	Q830-310013	SPLINE BUSHING	1	
28	Q830-310015-00100	ADJUSTING WASHER 79.5x68 T=0.10	1	T=0.10
28	Q830-310015-00200	ADJUSTING WASHER 79.5x68 T=0.20	1	T=0.20
28	Q830-310015-00300	ADJUSTING WASHER 79.5x68 T=0.30	1	T=0.30
28	Q830-310015-00400	ADJUSTING WASHER 79.5x68 T=0.40	1	T=0.40
28	Q830-310015-00500	ADJUSTING WASHER 79.5x68 T=0.50	1	T=0.50
28	Q830-310015-00600	ADJUSTING WASHER 79.5x68 T=1.00	1	T=1.00
29	30400-05500	BEARING	1	61911(55x80x13)
30	Q890-313002	DIFFERENTIAL HOUSING	1	
31	0181-313100	BOLT M10x1.25x22	8	
32	Q830-313004	GEAR, CV SHAFT	1	
33	30906-0503000	PIN	3	5x30
34	Q820-333005	PLANET GEAR SHAFT, SHORT	2	
35	0181-313011	WEARING RING	4	
36	0180-313003	CENTER GEAR, DIFFERENTIAL	4	
37	Q820-333006	PLANET GEAR AXLE	1	
38	Q820-333008	CROSS BUSHING	1	
39	0180-313006	DRIVEN GEAR, DIFFERENTIAL	1	
40	Q800-313005-00100	GEAR WASHER	1	t=1.00
40	Q800-313005-00200	GEAR WASHER	1	t=1.20
41	0180-310005	O-SEAL RING 141x2.4	1	141x2.4
42	Q830-310009-00100	ADJUSTING WASHER 54.5x43 T=0.10	1	T=0.10
42	Q830-310009-00200	ADJUSTING WASHER 54.5x43 T=0.20	1	T=0.20
42	Q830-310009-00300	ADJUSTING WASHER 54.5x43 T=0.30	1	T=0.30
42	Q830-310009-00400	ADJUSTING WASHER 54.5x43 T=0.40	1	T=0.40
42	Q830-310009-00500	ADJUSTING WASHER 54.5x43 T=0.50	1	T=0.50
42	Q830-310009-00600	ADJUSTING WASHER 54.5x43 T=1.00	1	T=1.00
43	30105-040008410	SCREW M4x8	2	M4x8
44	Q820-330007-10000	OIL BAFFLE	1	
45	0180-311004-0020	JOINT, BREATHER HOSE	1	
46	0180-021008-0010	BOLT M14x1.25x12	1	M14x1.25x12
47	Q890-310002	FRONT GEAR CASE COVER	1	
48	0180-330004-0010	BOLT M10x1.25x25	1	M10x1.25x25
49	30130-080010820	INNER HEX SCREW M8x10	1	M8x10
50	0010-023008-0010	BOLT M6x18	2	M6x18



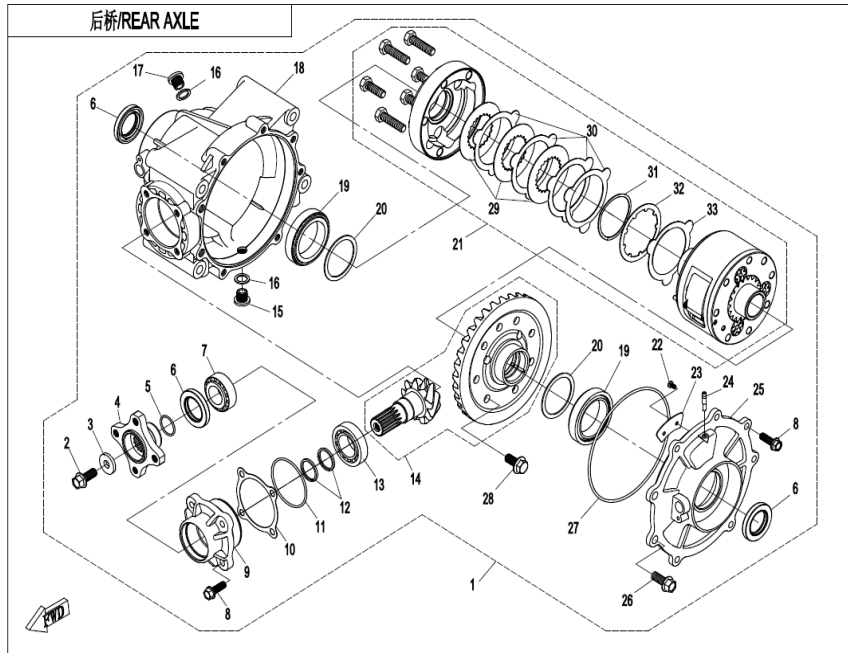
F32 GEAR SHIFTING

Item No.	Parts Number	Parts Name(EN)	Qty	Specification
1	5BWV-321300-5000	GEARSHIFT BALL HEAD	1	
2	9CR6-321301	LOCK NUT, GEARSHIFT	1	M8
3	5BWV-321002-5000	GEARSHIFT LIMIT GUARD	1	
4	5BWV-321100-5000	GEARSHIFT LEVER	1	
5	5HY0-321001	SPRING, GEARSHIFT	1	
6	9CR6-321001	PIN SHAFT, GEARSHIFT LEVER	1	
7	9010-320009	NYLON BUSHING	2	
8	30802-00605	CIRCLIP	1	6
9	5BWV-321200-5000	SWING ARM, GEARSHIFT	1	
10	9CR6-321003	BUSHING, ARM	2	
11	5BWV-321000-5000	GEARSHIFT ASSY	1	
12	30006-060016810	BOLT M6x16	3	M6x16
13	8030-040800-00001	NUT CLIP M6	1	M6
14	5BWV-320100-5000	GEARSHIFT CABLE	1	
15	5BWV-320002-5000	LOWER BRACKET, CABLE	1	
16	5BWV-320001-5000	BRACKET, GEARSHIFT CABLE	1	
17	30904-0601610	PIN SHAFT	1	
18	30903-0161610	COTTER PIN	1	16x16
19	9010-320200-1000	ROCKER, GEARSHIFT	1	
20	0010-022020-00002	BOLT M6x22	1	M6x22
21	30006-060012810	BOLT M6x12	1	M6x12
22	30006-080012810	BOLT M8x12	2	M8x12
23	30006-102040810	BOLT	2	M10x1.25x40



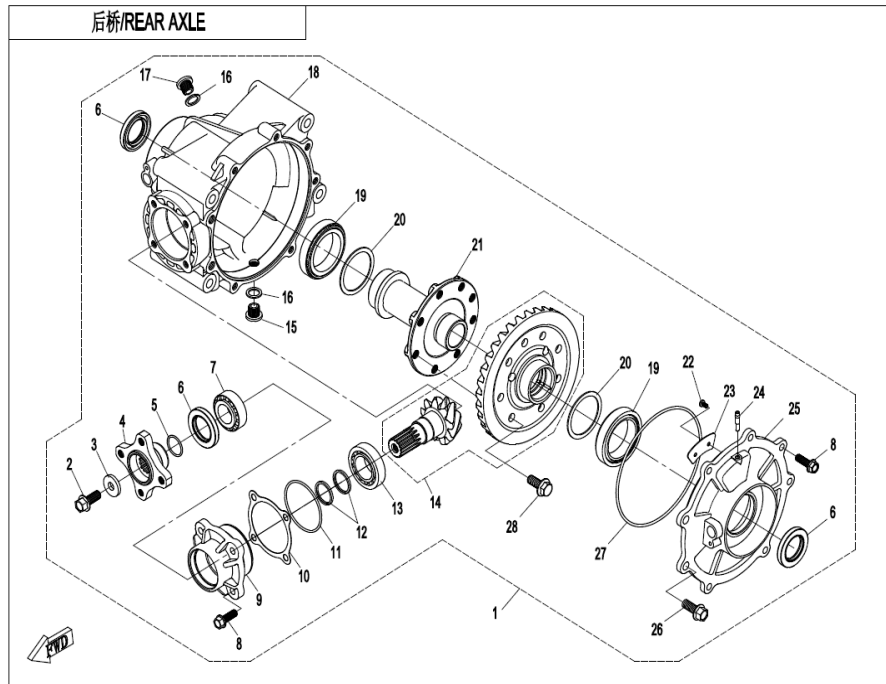
F33-A-V1 REAR AXLE (AUTOMATIC LOCK DIFFERENTIAL)

Item No.	Parts Number	Parts Name(EN)	Qty	Specification
01	Q860-330000-00002	REAR GEAR CASE ASSY	1	
02	0GR0-062203	BOLT M10x1.25x20	1	M10x1.25x20
03	0GR0-062204	WASHER 10x27.5x4	1	10x27.5x4
04	Q850-331002	COUPLER	1	
05	0800-062205	O-SEAL RING 25x2	1	25x2
06	0800-062204	OIL SEAL 35x50x7	3	35x50x7
07	30409-02500	BEARING	1	33005(25x47x17)
08	0110-060011-0010	BOLT M8x28	10	M8x28
09	Q830-311002-00001	BEARING SEAT	1	
10	Q830-310023-00200	ADJUSTING WASHER T=0.30	1	T=0.30
10	Q830-310023-00100	ADJUSTING WASHER T=0.20	1	T=0.20
11	Q830-310006-10000	O-RING 55x2.5	1	55x2.5
12	Q830-311003-01400	ADJUSTING WASHER 32x25.4 T=3.00	2	T=3.00
12	Q830-311003-01300	ADJUSTING WASHER 32x25.4 T=2.90	2	T=2.90
12	Q830-311003-01200	ADJUSTING WASHER 32x25.4 T=2.80	2	T=2.80
12	Q830-311003-01100	ADJUSTING WASHER 32x25.4 T=2.70	2	T=2.70
12	Q830-311003-01000	ADJUSTING WASHER 32x25.4 T=2.60	2	T=2.60
12	Q830-311003-00900	ADJUSTING WASHER 32x25.4 T=2.50	2	T=2.50
12	Q830-311003-00800	ADJUSTING WASHER 32x25.4 T=2.48	2	T=2.48
12	Q830-311003-00700	ADJUSTING WASHER 32x25.4 T=2.46	2	T=2.46
12	Q830-311003-00600	ADJUSTING WASHER 32x25.4 T=2.44	2	T=2.44
12	Q830-311003-00500	ADJUSTING WASHER 32x25.4 T=2.42	2	T=2.42
12	Q830-311003-00400	ADJUSTING WASHER 32x25.4 T=2.40	2	T=2.40
12	Q830-311003-00300	ADJUSTING WASHER 32x25.4 T=2.30	2	T=2.30
12	Q830-311003-00200	ADJUSTING WASHER 32x25.4 T=2.20	2	T=2.20
12	Q830-311003-00100	ADJUSTING WASHER 32x25.4 T=2.10	2	T=2.10
13	30409-03000	BEARING	1	32006(30x55x17)
14	Q860-3300A0-00001	BEVEL GEAR ASSY, REAR GEAR CASE	1	
15	0180-332100	OIL DRAIN BOLT M14x1.25x12, MAGNETIC	1	M14x1.25x12
16	0180-011006	GASKET 14	2	14
17	0180-021008-0010	BOLT M14x1.25x12	1	M14x1.25x12
18	Q860-330001-00002	REAR GEAR CASE	1	
19	30409-05000	BEARING	2	
20	Q820-330003-00900	ADJUSTING WASHER 61x50.5 T=1.00	4	T=1.00
20	Q820-330003-00800	ADJUSTING WASHER 61x50.5 T=0.98	4	T=0.98
20	Q820-330003-00700	ADJUSTING WASHER 61x50.5 T=0.96	4	T=0.96
20	Q820-330003-00600	ADJUSTING WASHER 61x50.5 T=0.94	4	T=0.94
20	Q820-330003-00500	ADJUSTING WASHER 61x50.5 T=0.92	4	T=0.92
20	Q820-330003-00400	ADJUSTING WASHER 61x50.5 T=0.90	4	T=0.90
20	Q820-330003-00300	ADJUSTING WASHER 61x50.5 T=0.50	4	T=0.50
20	Q820-330003-00200	ADJUSTING WASHER 61x50.5 T=0.30	4	T=0.30
20	Q820-330003-00100	ADJUSTING WASHER 61x50.5 T=0.10	4	T=0.10
21	Q860-333100	AUTOMATIC LOCK DIFFERENTIAL ASSY	1	
22	30105-040008410	SCREW M4x8	2	M4x8
23	Q830-310022	OIL GUARD	1	
24	0180-311004-0020	JOINT, BREATHER HOSE	1	
25	Q860-330002-00002	REAR GEAR CASE COVER	1	
26	0180-330004-0010	BOLT M10x1.25x25	2	M10x1.25x25
27	0180-334002	O-SEAL RING 151x3	1	151x3
28	0181-313100-0010	BOLT M10x1.25x22	8	M10x1.25x22
29	Q850-333107	FRICITION DISC, INNER GEAR	3	
30	Q850-333104	FRICITION DISC, OUTER GEAR	4	
31	Q850-333111	GASKET	1	
32	Q850-333108	FRICITION DISC, INNER	1	
33	Q850-333106	POLISHED SECTION, FRICITION DISC	1	



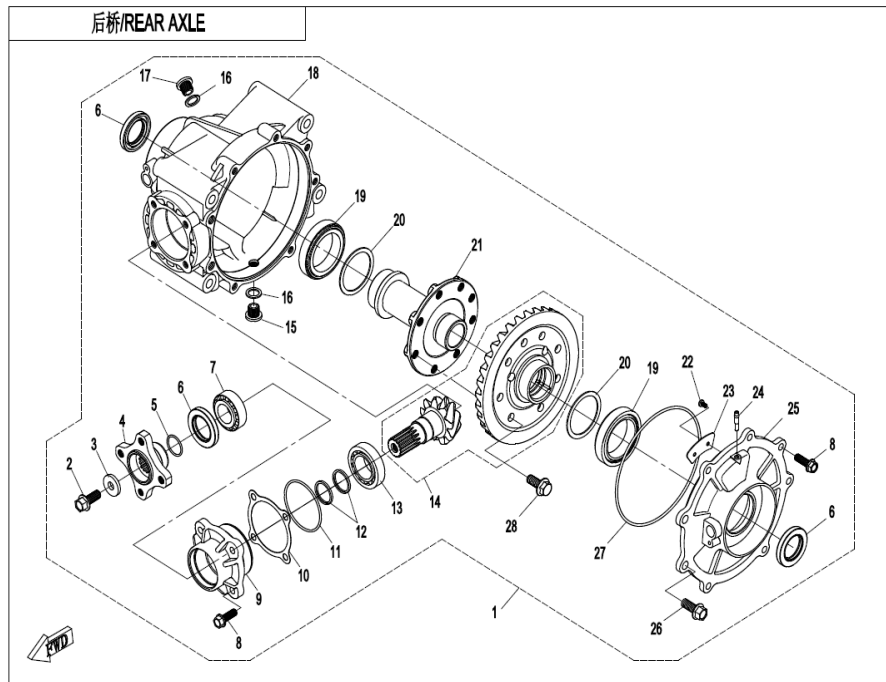
F33-A-V2 REAR AXLE (AUTOMATIC LOCK DIFFERENTIAL)

Item No.	Parts Number	Parts Name(EN)	Qty	Specification
01	Q860-330000-00003	REAR GEAR CASE ASSY	1	
02	Q860-331002	BOLT	1	M12x1.25x25
03	0180-331008-00001	WASHER	1	13x27.5x4
04	Q850-331002	COUPLER	1	
05	0800-062205	O-SEAL RING 25x2	1	25x2
06	0800-062204	OIL SEAL 35x50x7	3	35x50x7
07	30409-02500	BEARING	1	33005(25x47x17)
08	0110-060011-0010	BOLT M8x28	10	M8x28
09	Q830-311002-00001	BEARING SEAT	1	
10	Q830-310023-00200	ADJUSTING WASHER T=0.30	1	T=0.30
10	Q830-310023-00100	ADJUSTING WASHER T=0.20	1	T=0.20
11	Q830-310006-10000	O-RING 55x2.5	1	55x2.5
12	Q830-311003-01400	ADJUSTING WASHER 32x25.4 T=3.00	2	T=3.00
12	Q830-311003-01300	ADJUSTING WASHER 32x25.4 T=2.90	2	T=2.90
12	Q830-311003-01200	ADJUSTING WASHER 32x25.4 T=2.80	2	T=2.80
12	Q830-311003-01100	ADJUSTING WASHER 32x25.4 T=2.70	2	T=2.70
12	Q830-311003-01000	ADJUSTING WASHER 32x25.4 T=2.60	2	T=2.60
12	Q830-311003-00900	ADJUSTING WASHER 32x25.4 T=2.50	2	T=2.50
12	Q830-311003-00800	ADJUSTING WASHER 32x25.4 T=2.48	2	T=2.48
12	Q830-311003-00700	ADJUSTING WASHER 32x25.4 T=2.46	2	T=2.46
12	Q830-311003-00600	ADJUSTING WASHER 32x25.4 T=2.44	2	T=2.44
12	Q830-311003-00500	ADJUSTING WASHER 32x25.4 T=2.42	2	T=2.42
12	Q830-311003-00400	ADJUSTING WASHER 32x25.4 T=2.40	2	T=2.40
12	Q830-311003-00300	ADJUSTING WASHER 32x25.4 T=2.30	2	T=2.30
12	Q830-311003-00200	ADJUSTING WASHER 32x25.4 T=2.20	2	T=2.20
12	Q830-311003-00100	ADJUSTING WASHER 32x25.4 T=2.10	2	T=2.10
13	30409-03000	BEARING	1	32006(30x55x17)
14	Q860-3300A0-00003	BEVEL GEAR ASSY, REAR GEAR CASE	1	
15	0180-332100	OIL DRAIN BOLT M14x1.25x12, MAGNETIC	1	M14x1.25x12
16	0180-011006	GASKET 14	2	14
17	0180-021008-0010	BOLT M14x1.25x12	1	M14x1.25x12
18	Q860-330001-00002	REAR GEAR CASE	1	
19	30409-05000	BEARING	2	
20	Q820-330003-00900	ADJUSTING WASHER 61x50.5 T=1.00	4	T=1.00
20	Q820-330003-00800	ADJUSTING WASHER 61x50.5 T=0.98	4	T=0.98
20	Q820-330003-00700	ADJUSTING WASHER 61x50.5 T=0.96	4	T=0.96
20	Q820-330003-00600	ADJUSTING WASHER 61x50.5 T=0.94	4	T=0.94
20	Q820-330003-00500	ADJUSTING WASHER 61x50.5 T=0.92	4	T=0.92
20	Q820-330003-00400	ADJUSTING WASHER 61x50.5 T=0.90	4	T=0.90
20	Q820-330003-00300	ADJUSTING WASHER 61x50.5 T=0.50	4	T=0.50
20	Q820-330003-00200	ADJUSTING WASHER 61x50.5 T=0.30	4	T=0.30
20	Q820-330003-00100	ADJUSTING WASHER 61x50.5 T=0.10	4	T=0.10
21	Q860-333100	AUTOMATIC LOCK DIFFERENTIAL ASSY	1	
22	30105-040008410	SCREW M4x8	2	M4x8
23	Q830-310022	OIL GUARD	1	
24	0180-311004-0020	JOINT, BREATHER HOSE	1	
25	Q860-330002-00003	REAR GEAR CASE COVER	1	
26	0180-330004-0010	BOLT M10x1.25x25	2	M10x1.25x25
27	0180-334002	O-SEAL RING 151x3	1	151x3
28	0181-313100-0010	BOLT M10x1.25x22	8	M10x1.25x22
29	Q850-333107	FRICITION DISC, INNER GEAR	3	
30	Q850-333104	FRICITION DISC, OUTER GEAR	4	
31	Q850-333111	GASKET	1	
32	Q850-333108	FRICITION DISC, INNER	1	
33	Q850-333106	POLISHED SECTION, FRICITION DISC	1	



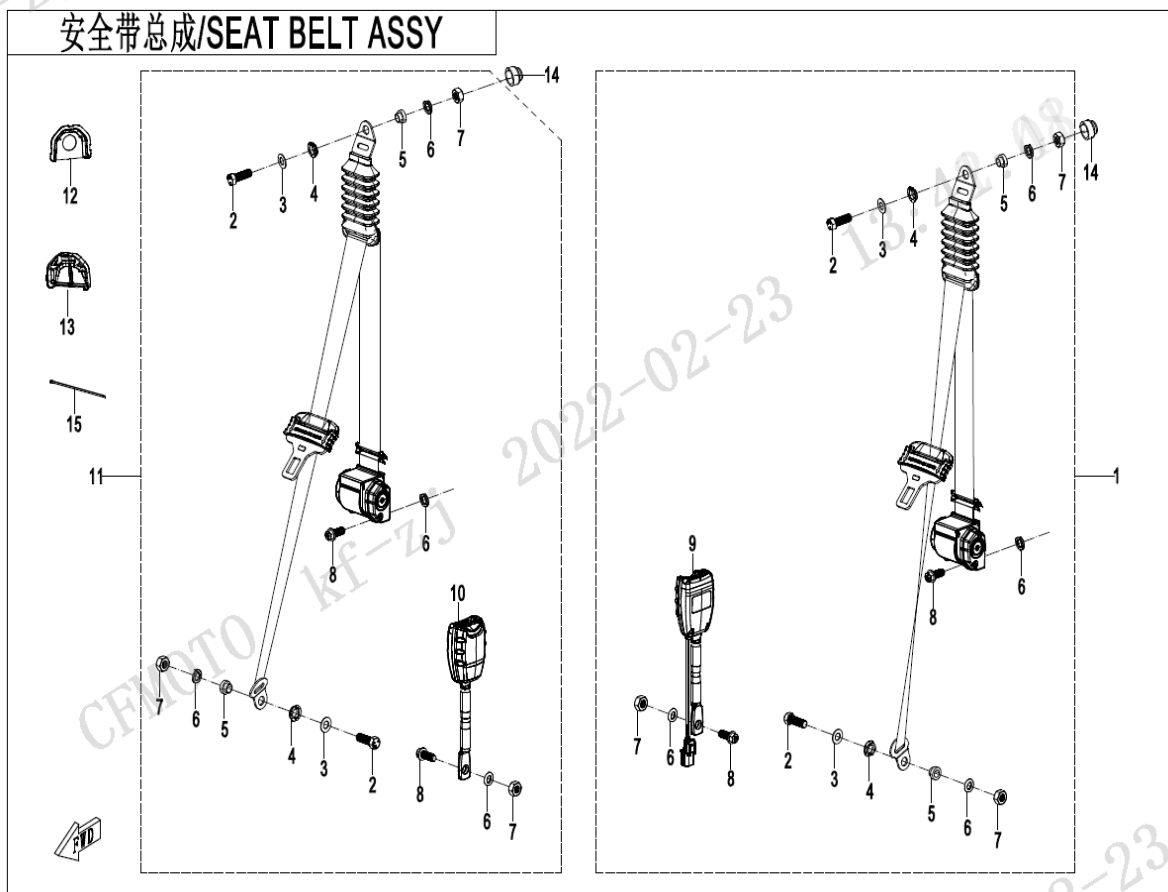
F33-B-V1 REAR AXLE (WITHOUT DIFFERENTIAL)

Item No.	Parts Number	Parts Name(EN)	Qty	Specification
01	Q860-330000-40002	REAR GEAR CASE ASSY	1	
02	0GR0-062203	BOLT M10x1.25x20	1	M10x1.25x20
03	0GR0-062204	WASHER 10x27.5x4	1	10x27.5x4
04	Q850-331002	COUPLER	1	
05	0800-062205	O-SEAL RING 25x2	1	25x2
06	0800-062204	OIL SEAL 35x50x7	3	35x50x7
07	30409-02500	BEARING	1	33005(25x47x17)
08	0110-060011-0010	BOLT M8x28	10	M8x28
09	Q830-311002-00001	BEARING SEAT	1	
10	Q830-310023-00100	ADJUSTING WASHER T=0.20	1	T=0.20
10	Q830-310023-00200	ADJUSTING WASHER T=0.30	1	T=0.30
11	Q830-310006-10000	O-RING 55x2.5	1	55x2.5
12	Q830-311003-00100	ADJUSTING WASHER 32x25.4 T=2.10	2	T=2.10
12	Q830-311003-00200	ADJUSTING WASHER 32x25.4 T=2.20	2	T=2.20
12	Q830-311003-00300	ADJUSTING WASHER 32x25.4 T=2.30	2	T=2.30
12	Q830-311003-00400	ADJUSTING WASHER 32x25.4 T=2.40	2	T=2.40
12	Q830-311003-00500	ADJUSTING WASHER 32x25.4 T=2.42	2	T=2.42
12	Q830-311003-00600	ADJUSTING WASHER 32x25.4 T=2.44	2	T=2.44
12	Q830-311003-00700	ADJUSTING WASHER 32x25.4 T=2.46	2	T=2.46
12	Q830-311003-00800	ADJUSTING WASHER 32x25.4 T=2.48	2	T=2.48
12	Q830-311003-00900	ADJUSTING WASHER 32x25.4 T=2.50	2	T=2.50
12	Q830-311003-01000	ADJUSTING WASHER 32x25.4 T=2.60	2	T=2.60
12	Q830-311003-01100	ADJUSTING WASHER 32x25.4 T=2.70	2	T=2.70
12	Q830-311003-01200	ADJUSTING WASHER 32x25.4 T=2.80	2	T=2.80
12	Q830-311003-01300	ADJUSTING WASHER 32x25.4 T=2.90	2	T=2.90
12	Q830-311003-01400	ADJUSTING WASHER 32x25.4 T=3.00	2	T=3.00
13	30409-03000	BEARING	1	32006(30x55x17)
14	Q860-3300A0-00002	BEVEL GEAR ASSY, REAR GEAR CASE	1	
15	0180-332100	OIL DRAIN BOLT M14x1.25x12, MAGNETIC	1	M14x1.25x12
16	0180-011006	GASKET 14	2	14
17	0180-021008-0010	BOLT M14x1.25x12	1	M14x1.25x12
18	Q860-330001-00002	REAR GEAR CASE	1	
19	30409-05000	BEARING	2	
20	Q820-330003-00100	ADJUSTING WASHER 61x50.5 T=0.10	4	T=0.10
20	Q820-330003-00200	ADJUSTING WASHER 61x50.5 T=0.30	4	T=0.30
20	Q820-330003-00300	ADJUSTING WASHER 61x50.5 T=0.50	4	T=0.50
20	Q820-330003-00400	ADJUSTING WASHER 61x50.5 T=0.90	4	T=0.90
20	Q820-330003-00500	ADJUSTING WASHER 61x50.5 T=0.92	4	T=0.92
20	Q820-330003-00600	ADJUSTING WASHER 61x50.5 T=0.94	4	T=0.94
20	Q820-330003-00700	ADJUSTING WASHER 61x50.5 T=0.96	4	T=0.96
20	Q820-330003-00800	ADJUSTING WASHER 61x50.5 T=0.98	4	T=0.98
20	Q820-330003-00900	ADJUSTING WASHER 61x50.5 T=1.00	4	T=1.00
21	Q850-330003-00001	MOUNTING BASE	1	
22	30105-040008410	SCREW M4x8	2	M4x8
23	Q830-310022	OIL GUARD	1	
24	0180-311004-0020	JOINT, BREATHER HOSE	1	
25	Q860-330002-00002	REAR GEAR CASE COVER	1	
26	0180-330004-0010	BOLT M10x1.25x25	2	M10x1.25x25
27	0180-334002	O-SEAL RING 151x3	1	151x3
28	0181-313100-0010	BOLT M10x1.25x22	8	M10x1.25x22



F33-B-V2 REAR AXLE (WITHOUT DIFFERENTIAL)

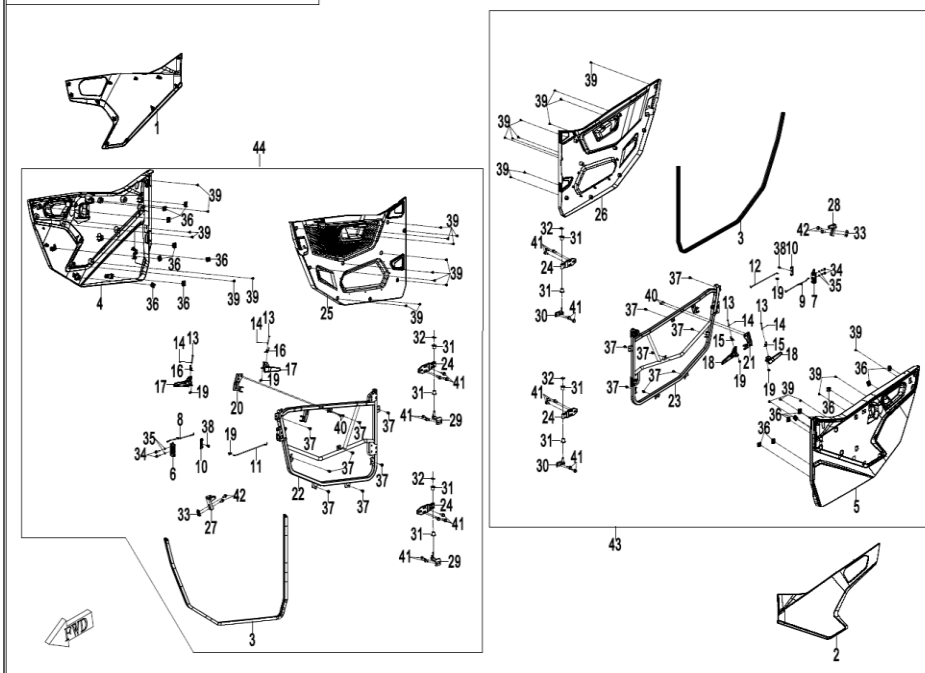
Item No.	Parts Number	Parts Name(EN)	Qty	Specification
01	Q860-330000-40003	REAR GEAR CASE ASSY	1	
02	Q860-331002	BOLT	1	M12x1.25x25
03	0180-331008-00001	WASHER	1	13x27.5x4
04	Q850-331002	COUPLER	1	
05	0800-062205	O-SEAL RING 25x2	1	25x2
06	0800-062204	OIL SEAL 35x50x7	3	35x50x7
07	30409-02500	BEARING	1	33005(25x47x17)
08	0110-060011-0010	BOLT M8x28	10	M8x28
09	Q830-311002-00001	BEARING SEAT	1	
10	Q830-310023-00100	ADJUSTING WASHER T=0.20	1	T=0.20
10	Q830-310023-00200	ADJUSTING WASHER T=0.30	1	T=0.30
11	Q830-310006-10000	O-RING 55x2.5	1	55x2.5
12	Q830-311003-00100	ADJUSTING WASHER 32x25.4 T=2.10	2	T=2.10
12	Q830-311003-00200	ADJUSTING WASHER 32x25.4 T=2.20	2	T=2.20
12	Q830-311003-00300	ADJUSTING WASHER 32x25.4 T=2.30	2	T=2.30
12	Q830-311003-00400	ADJUSTING WASHER 32x25.4 T=2.40	2	T=2.40
12	Q830-311003-00500	ADJUSTING WASHER 32x25.4 T=2.42	2	T=2.42
12	Q830-311003-00600	ADJUSTING WASHER 32x25.4 T=2.44	2	T=2.44
12	Q830-311003-00700	ADJUSTING WASHER 32x25.4 T=2.46	2	T=2.46
12	Q830-311003-00800	ADJUSTING WASHER 32x25.4 T=2.48	2	T=2.48
12	Q830-311003-00900	ADJUSTING WASHER 32x25.4 T=2.50	2	T=2.50
12	Q830-311003-01000	ADJUSTING WASHER 32x25.4 T=2.60	2	T=2.60
12	Q830-311003-01100	ADJUSTING WASHER 32x25.4 T=2.70	2	T=2.70
12	Q830-311003-01200	ADJUSTING WASHER 32x25.4 T=2.80	2	T=2.80
12	Q830-311003-01300	ADJUSTING WASHER 32x25.4 T=2.90	2	T=2.90
12	Q830-311003-01400	ADJUSTING WASHER 32x25.4 T=3.00	2	T=3.00
13	30409-03000	BEARING	1	32006(30x55x17)
14	Q860-3300A0-00003	BEVEL GEAR ASSY, REAR GEAR CASE	1	
15	0180-332100	OIL DRAIN BOLT M14x1.25x12, MAGNETIC	1	M14x1.25x12
16	0180-011006	GASKET 14	2	14
17	0180-021008-0010	BOLT M14x1.25x12	1	M14x1.25x12
18	Q860-330001-00002	REAR GEAR CASE	1	
19	30409-05000	BEARING	2	
20	Q820-330003-00100	ADJUSTING WASHER 61x50.5 T=0.10	4	T=0.10
20	Q820-330003-00200	ADJUSTING WASHER 61x50.5 T=0.30	4	T=0.30
20	Q820-330003-00300	ADJUSTING WASHER 61x50.5 T=0.50	4	T=0.50
20	Q820-330003-00400	ADJUSTING WASHER 61x50.5 T=0.90	4	T=0.90
20	Q820-330003-00500	ADJUSTING WASHER 61x50.5 T=0.92	4	T=0.92
20	Q820-330003-00600	ADJUSTING WASHER 61x50.5 T=0.94	4	T=0.94
20	Q820-330003-00700	ADJUSTING WASHER 61x50.5 T=0.96	4	T=0.96
20	Q820-330003-00800	ADJUSTING WASHER 61x50.5 T=0.98	4	T=0.98
20	Q820-330003-00900	ADJUSTING WASHER 61x50.5 T=1.00	4	T=1.00
21	Q850-330003-00001	MOUNTING BASE	1	
22	30105-040008410	SCREW M4x8	2	M4x8
23	Q830-310022	OIL GUARD	1	
24	0180-311004-0020	JOINT, BREATHER HOSE	1	
25	Q860-330002-00002	REAR GEAR CASE COVER	1	
26	0180-330004-0010	BOLT M10x1.25x25	2	M10x1.25x25
27	0180-334002	O-SEAL RING 151x3	1	151x3
28	0181-313100-0010	BOLT M10x1.25x22	8	M10x1.25x22



F34 3-POINT SEAT BELT

Item No.	Parts Number	Parts Name(EN)	Qty	Specification
1	5BWV-341100-5000	SEAT BELT ASSY, DRIVER	1	
2	5ASV-341100-6200-22	BOLT	4	
3	5ASV-341100-6200-23	WASHER	4	
4	5ASV-341100-6200-28	WASHER	4	"
5	5ASV-341100-6200-27	WASHER	4	"
6	5ASV-341100-6200-26	LOCK WASHER	8	
7	5ASV-341100-6200-25	NUT	6	
8	5ASV-341100-6200-34	BOLT	4	
9	5ASV-341100-6200-35	LH BUCKLE ASSY	1	
10	5ASV-341200-6200-20	RH BUCKLE ASSY	1	
11	5BWV-341200-5000	SEAT BELT ASSY, PASSENGER	1	
12	5BWV-348001-5000	INNER CAP, SEAT BELT	2	
13	5BWV-348002-5000	OUTER CAP, SEAT BELT	2	
14	9060-340001	GUIDE RING PLUG, SEAT BELT	2	
15	8010-150003	TIE	1	5x250

边门/SIDE DOOR



F37 SIDE DOORS

Item No.	Parts Number	Parts Name(EN)	Qty	Specification
1	5BWV-374002-5100-OBM00	DECO PLATE, RH DOOR	1	NEBULA BLACK
1	5BWV-374002-5100-OEC00	DECO PLATE, RH DOOR	1	ROYAL BLUE
1	5BWV-374002-5100-OHD00	DECO PLATE, RH DOOR	1	GALAXY GREY
2	5BWV-372002-5100-OBM00	DECO PLATE, LH DOOR	1	NEBULA BLACK
2	5BWV-372002-5100-OEC00	DECO PLATE, LH DOOR	1	ROYAL BLUE
2	5BWV-372002-5100-OHD00	DECO PLATE, LH DOOR	1	GALAXY GREY
3	5BWV-372040-5100	SEAL STRAP, HALF DOOR	2	
4	5BWV-374003-5100	RH DOOR PLATE	1	
5	5BWV-372003-5100	LH DOOR PLATE	1	
6	5BWV-374060-5100	RH DOOR LOCK KIT	1	
7	5BWV-372060-5100	LH DOOR LOCK KIT	1	
8	5BWV-374050-5100	OUTER ROD, RH	1	
9	5BWV-372050-5100	OUTER ROD, LH	1	
10	5BWV-372009-5100	ADAPTER BRACKET	2	
11	5BWV-374005-5100	INNER ROD, RH	1	
12	5BWV-372005-5100	INNER ROD, LH	1	
13	5HY0-372301	PIN SHAFT	4	
14	30903-0160810	COTTER PIN	4	M16x8
15	5BWV-372007-5100	LH INNER TROSION SPRING	2	
16	5BWV-374007-5100	RH INNER TROSION SPRING	2	
17	5BWV-374401-5100	OUTER HANDLE, RH DOOR	2	
18	5BWV-372401-5100	OUTER HANDLE, LH DOOR	2	
19	5BWV-372011-5100	ROD SLEEVE	6	
20	5BWV-374030-5100	BRACKET, RH BUCKLE	1	
21	5BWV-372030-5100	BRACKET, LH BUCKLE	1	
22	5BWV-374100-5100	RH DOOR FRAME	1	
23	5BWV-372100-5100	LH DOOR FRAME	1	
24	5HY0-372001-10000	UPPER CONNECTING PLATE	4	
25	5BWV-374004-5100	RH DOOR INNER PLATE	1	
26	5BWV-372004-5100	LH DOOR INNER PLATE	1	
27	5BWV-374020-5100	RH LOCK HOOK ASSY	1	
28	5BWV-372020-5100	LH LOCK HOOK ASSY	1	
29	5BWV-374070-5100	RH BRACKET, HINGE	2	
30	5BWV-372070-5100	LH BRACKET, HINGE	2	
31	5HY0-372032-00001	SLEEVE	8	
32	30802-00605	CIRCLIP	4	6
33	5BWV-372080-5100	ADJUSTING SEAT, LOCK HOOK	2	
34	30006-060025810	BOLT	4	M6x25
35	30303-060112	WASHER	4	6
36	8030-040800-00001	NUT CLIP M6	16	M6
37	30006-060012810	BOLT M6x12	16	M6x12
38	8010-000004	BOLT M6x14	2	M6x14
39	5BWV-040016-5000	INNER HEX SLEF-TAPPING SCREW ST4.8x16	32	ST4.8x16
40	30102-060012870	SCREW	4	
41	30006-080020870	BOLT	20	
42	30102-080020870	SCREW	4	
43	5BW2-3720A0	LH SIDE DOOR	1	
44	5BW2-3740A0	RH SIDE DOOR	1	



ZFORCE 800 Trail ZFORCE 950 Trail ZFORCE 950 Sport Owner's Manual

READ THIS
MANUAL
CAREFULLY

It contains important
safety information

This ROV should not be operated by
anyone under 16 years of age.
Passenger under 12 years of age are prohibited.

F38-A-V1 OWNERS MANUAL(NA)

Item No.	Parts Number	Parts Name(EN)	Qty	Specification
01	5BWV-380101-5100-13	OWNERS MANUAL	1	
01	5BWV-380101-5101-13	OWNERS MANUAL	1	



ZFORCE 800 Trail ZFORCE 950 Trail ZFORCE 950 Sport Owner's Manual

READ THIS
MANUAL
CAREFULLY

It contains important
safety information

This ROV should not be operated by
anyone under 16 years of age.
Passenger under 12 years of age are prohibited.

F38-A-V2 OWNERS MANUAL(NA)

Item No.	Parts Number	Parts Name(EN)	Qty	Specification
01	5BYV-380101-7000-13	OWNERS MANUAL	1	NORTH AMERICA



ZFORCE 800 Trail

CF800SU-2/CF800SZ-2

使用说明书

请仔细阅读本手册

此手册包含重要的安全信息

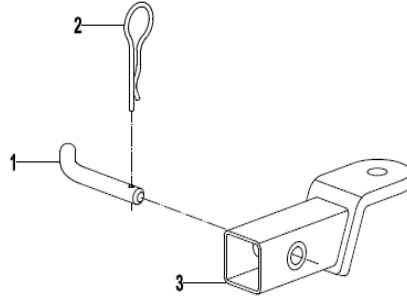
18周岁以下禁止驾驶本车,

12周岁以下禁止乘坐

F38-B OWNERS MANUAL(CHINESE)

Item No.	Parts Number	Parts Name(EN)	Qty	Specification
01	5BWV-380101-5200-11	OWNERS MANUAL	1	

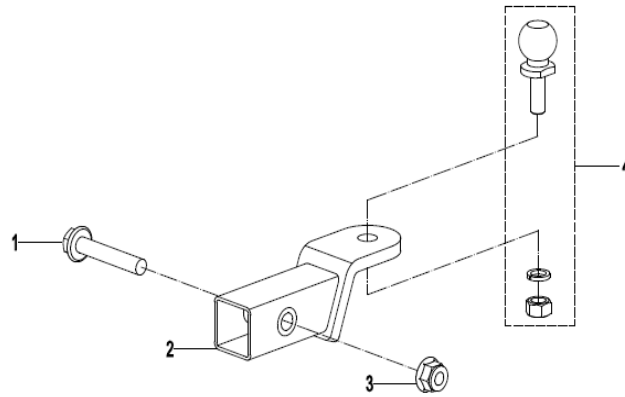
拖挂/TOWBAR



F40-A TOWBAR (PIN CONNECTION)

Item No.	Parts Number	Parts Name(EN)	Qty	Specification
01	9010-400102-10000	COTTER PIN, BRACKET	1	
02	9010-400103	PIN SHAFT, BRACKET	1	
03	7000-400120	TUBE, TRAILER	1	

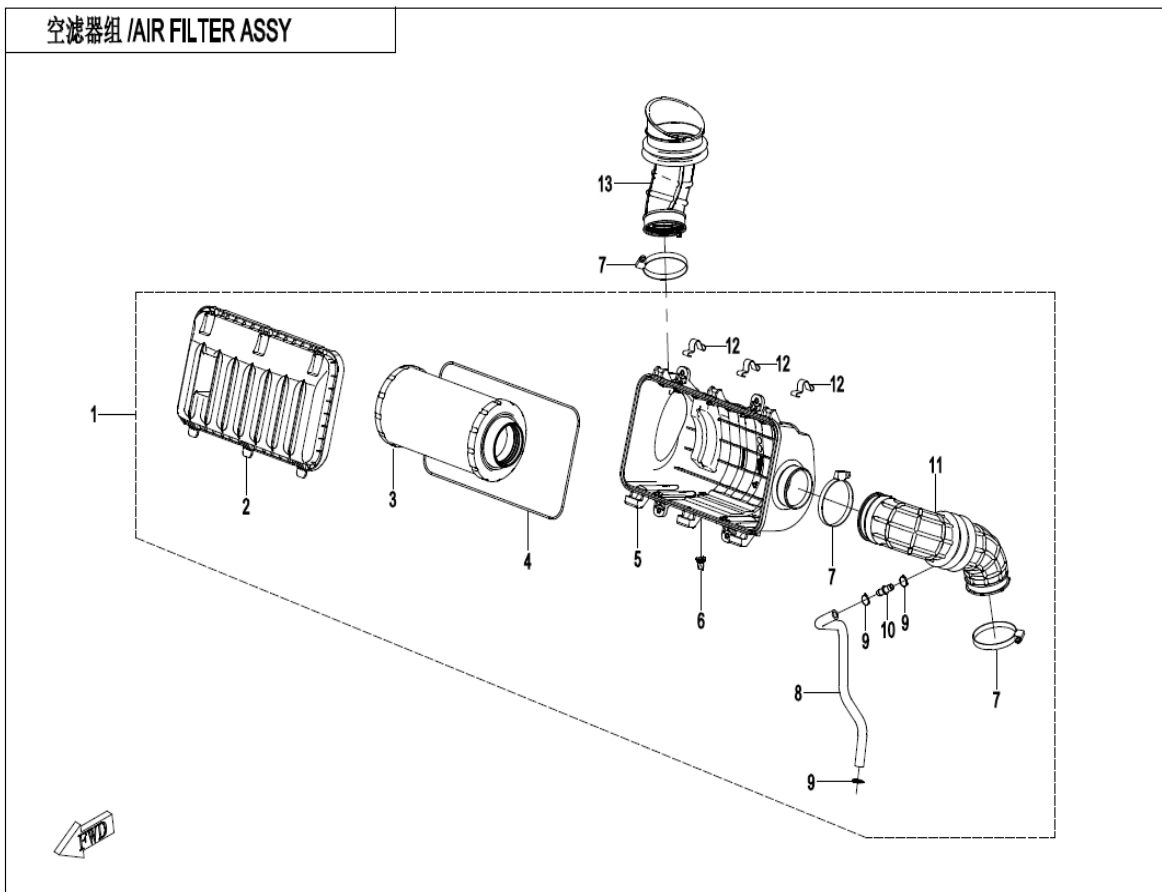
拖挂/TOWBAR



F40-B TOWBAR (BOLT CONNECTION)

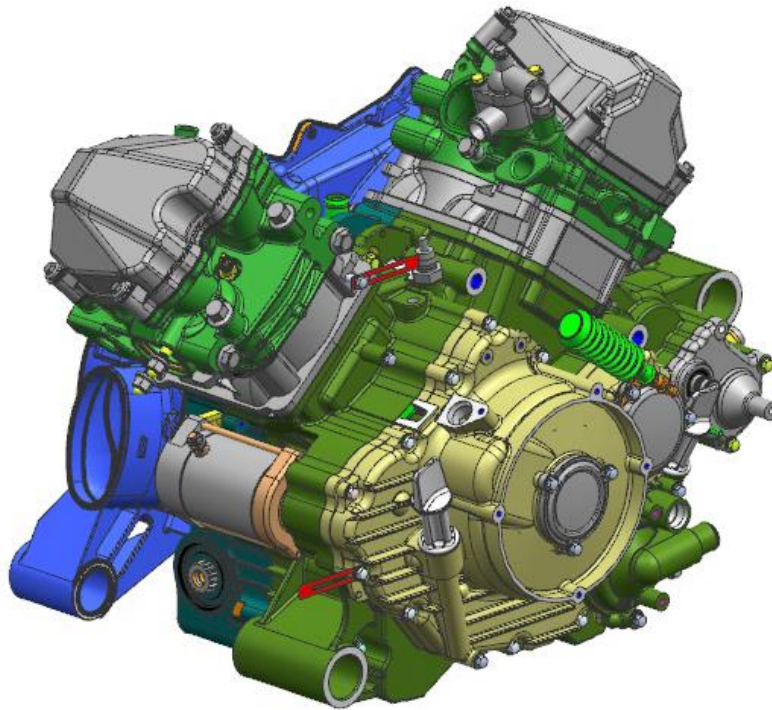
Item No.	Parts Number	Parts Name(EN)	Qty	Specification
01	5BW1-401106	BOLT, TOWING	1	
02	7000-400120	TUBE, TRAILER	1	
03	30218-163860	NUT M16x1.5	1	M16x1.5
04	5BW1-401310-10000	TOWING HITCHBALL	1	50MM
04	9010-204000	TOWING HITCHBALL ASSY	1	1and 7/8"

空滤器组 /AIR FILTER ASSY



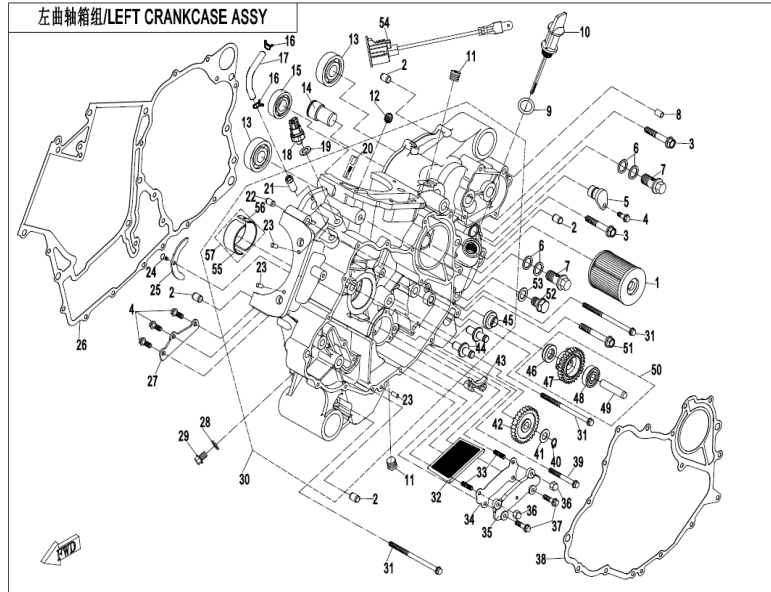
F41 AIR FILTER ASSY

Item No.	Parts Number	Parts Name(EN)	Qty	Specification
1	0JWV-110000-6000	AIR FILTER ASSY	1	
2	0JWV-110002-6000	UPPER HOUSING, AIR FILTER	1	
3	0JWV-112000-6000	FILTER ELEMENT	1	
4	0JWV-110000-6000-22	SEAL RING	1	
5	0JWV-113000-6000	LOWER HOUSING, AIR FILTER	1	
6	0JWV-110000-6000-23	OVERFLOW HOSE	1	
7	9010-020007	A-TYPE SCREW CLAMP	2	50-70
8	0JWV-110003-6000	BREATHER HOSE, CRANKCASE	1	
9	0JWV-110000-6000-20	CLAMP	3	
10	0JWV-110000-6000-21	CONNECTING PIPE	1	
11	0JWV-110001-6000	AIR OUTLET PIPE, AIR FILTER	1	
12	0180-110003	CLASP	3	
13	5BWV-000205-5000	AIR INLET PIPE, AIR FILTER	1	



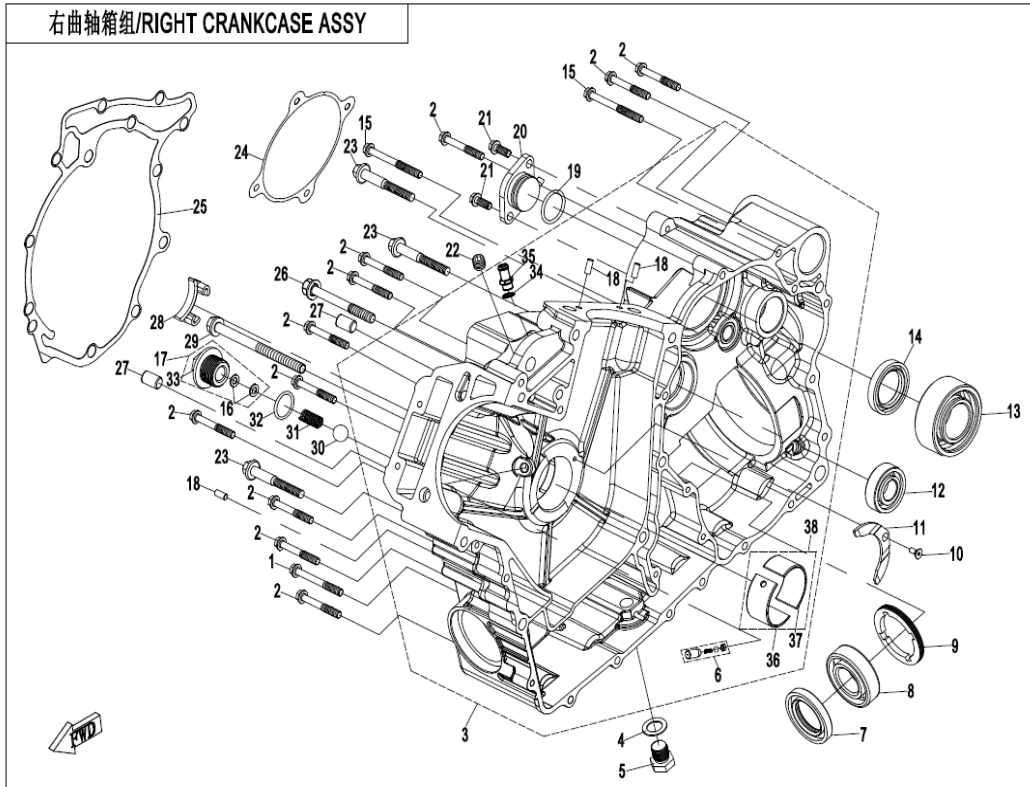
E00 LONG BLOCK LONG BLOCK

Item No.	Parts Number	Parts Name(EN)	Qty	Specification
01	0JWB-ALB000-0840	2V91W-B LONG BLACK	1	Kaidi PLUG



E01-1 LEFT CRANKCASE ASSY

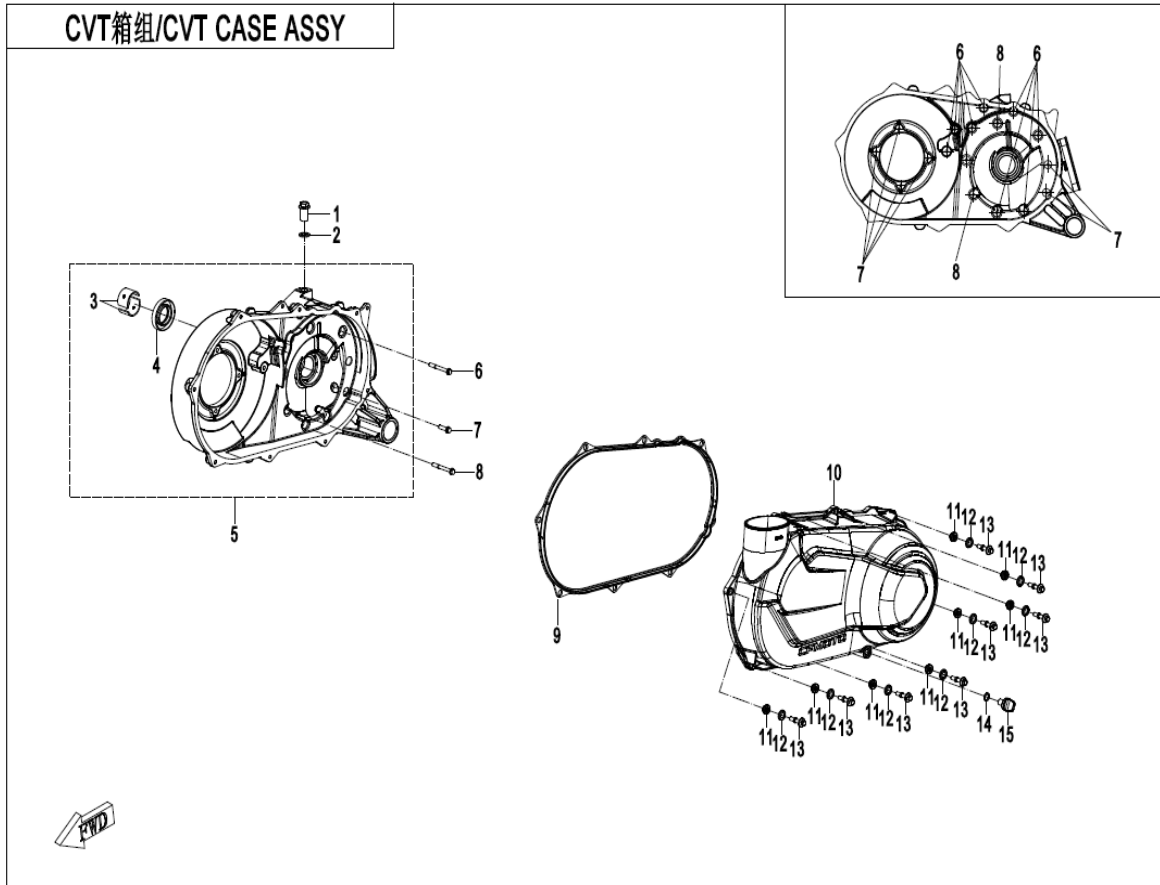
Item No.	Parts Number	Parts Name(EN)	Qty	Specification
01	0800-011300-0004	OIL FILTER ELEMENT	1	
02	0010-021005	DOWEL PIN 10x14	4	10x14
03	0040-012006-0010	BOLT M8x50	2	M8X50
04	0010-090005-0010	BOLT M6x16	4	M6x16
05	0130-011400	PLUG, SEAL	1	
06	0180-011006	GASKET 14	4	14
07	0180-011007-0010	BOLT M14x1.5x32	2	M14x1.5x32
08	0010-080008	DOWEL PIN	1	8X14
09	0110-013030	O-SEAL RING 18x3.55	1	18x3.55
10	0JYA-014004	OIL DIPSTICK	1	
11	0800-011006-00001	SCREW PLUG	1	
12	0800-011013-00001	RESTRICTION PLUG	1	
13	30499-01700	BEARING	2	6303C3@NTN
14	0JWA-060001-10000	GEARSHAFT, REVERSE	1	
15	30400-01704	BEARING	1	17
16	30601-114010	CLAMP A14	2	A14
17	0010-013007	BREATHER HOSE	1	
18	0800-012400	OIL PRESSURE SWITCH	1	
19	0010-060010	WASHER 10	1	10
20	0800-011400	NOZZLE VALVE ASSY	1	
21	0010-013006-0010	JOINT, BREATHER HOSE	1	
22	0700-022018	SOLID PIN 8x14	1	8x14
23	30406-00500	ROLLER NEEDLE P5x11.8	3	P5x11.8
24	30122-040010850	SCREW M4x10	1	M4x10
25	0800-011003	THRUST WASHER, CRANKCASE	1	
26	0JWA-011001-30000	GASKET, CRANKCASE	1	
27	0JWA-011008	INNER PLATE, OIL STRAINER	1	
28	0010-023305	WASHER 8.5	1	8.5
29	0180-332002-0010	BOLT M8x12.5, FLANGE	1	M8x12.5
30	0JWA-011100-20001	LH CRANKCASE ASSY	1	
30	0JWA-0111A1	LH CRANKCASE ASSY	1	
31	0030-011006-0010	BOLT M6x105	3	M6x105
32	0JWA-011009	OIL STRAINER	1	
33	30017-060023420	BOLT M6x23	2	M6x23
33	30017-060022110	BOLT	2	
34	0JWA-011003-10000	OUTER GASKET, STRAINER	1	
35	0JWA-011002	OUTER PLATE, OIL STRAINER	1	
36	30212-060810	CAP-SHAPE BOLT M6	2	M6
37	0010-080013-0010	BOLT M6x22	2	M6x22
38	0JWA-011004-30000	GASKET, LH CRANKCASE COVER	1	
39	0A70-011005-00001	BOLT M6x75	1	
40	30801-01005	CIRCLIPS FOR SHAFT	1	10
41	0800-011005	WASHER 10	1	10
42	0800-011004	IDLE GEAR, BREATHER	1	
43	0800-011007	CHAIN GUARD	1	
44	0800-011104	IDLE GEAR SHAFT, BREATHER	2	
45	0800-011105	SEAT, BREATHER	1	
46	0800-011203	OIL SEAL	1	15x26x6
47	0800-011201	GEAR, BREATHER	1	
48	30400-01003	BEARING	1	10
49	0800-011202	SHAFT, BREATHER	1	
50	0800-011200	BREATHER ASSY	1	
51	0130-011109-0010	BOLT M8x60	1	M8x60
52	0180-011500	DRAIN BOLT, MAGNETIC M12X1.5	1	M12x1.5
53	0010-021014	WASHER 12	1	12
54	0800-012401	ADAPTOR CABLE, OIL PRESSURE SWITCH	1	
55	0800-011102-00021	PLAIN BEARING 1	1	BLUE@THICK
55	0800-011102-00011	PLAIN BEARING 1	1	RED@THIN
56	0800-011103-00011	PLAIN BEARING 2	1	RED@THIN
56	0800-011103-00021	PLAIN BEARING 2	1	BLUE@THICK
57	0800-0111A0-00001	PLAIN BEARING KIT, MAIN SHAFT	1	RED
57	0800-0111B0-00001	PLAIN BEARING KIT, MAIN SHAFT	1	BLUE
57	0800-0111A0	PLAIN BEARING KIT, MAIN SHAFT	1	RED
57	0800-0111B0	PLAIN BEARING KIT, MAIN SHAFT	1	BLUE



E01-2 RIGHT CRANKCASE ASSY

Item No.	Parts Number	Parts Name(EN)	Qty	Specification
01	0010-021018-0010	BOLT M6x55	1	M6x55
02	0180-013208-0010	BOLT M6x45	11	M6x45
03	0JWA-012100-20004	RH CRANKCASE ASSY	1	
03	0JWA-0121A1	RH CRANKCASE ASSY	1	
04	0JWA-012003	SPACER 14.1x22x1	1	14.1x22x1
05	0JWA-012200	OIL DRAIN BOLT M14x1.5	1	M14x1.5
06	0800-011400	NOZZLE VALVE ASSY	1	
07	0010-011002	OIL SEAL	1	25x40x8
08	30400-02501	BEARING	1	25
09	0JWA-012004	MIDDLE BEARING RETAINER, FRONT OUTPUT SHAFT	1	
10	30122-040010850	SCREW M4x10	1	M4x10
11	0800-011003	THRUST WASHER, CRANKCASE	1	
12	30400-01704	BEARING	1	17
13	30499-03000	BEARING	1	5206
14	0180-012006-00001	OIL SEAL 30X45X8	1	30X45X8
15	0A70-011005-00001	BOLT M6x75	2	
16	30304-050440	WASHER	2	
17	0GRO-0140A0	SCREW PLUG,RELIEF VALVE ASSY	1	
18	30406-00500	ROLLER NEEDLE P5x11.8	3	P5x11.8
19	0180-023002	O-SEAL RING 24x2.5	1	24x2.5
20	0800-012200-20000	GEAR SENSOR	1	KAIDI PLUG
21	0010-090005-0010	BOLT M6x16	2	M6x16
22	01A0-012010-00001	SCREW	1	
23	0130-011109-0010	BOLT M8x60	3	M8x60
24	0JWA-012002	GASKET 2, CVT CASE	1	
25	0JWA-012001	GASKET 1, CVT CASE	1	
26	0700-012003-00001	BOLT M8x73	1	M8x73
27	0010-021005	DOWEL PIN 10x14	2	10x14
28	0800-011007	CHAIN GUARD	1	
29	0130-011115-0010	BOLT M8x106	1	M8x106
30	3120015	STEEL BALL	1	
31	0700-012603-1000	SPRING, RELIEF VALVE	1	
32	0180-332004	O-SEAL RING 19x2.5	1	19x2.5
33	0GRO-014003	SCREW PLUG, RELIEF VALVE	1	
34	0010-011008	O-SEAL RING	1	15.8x2.4
35	0JWA-080009-00001	JOINT, WATER PUMP COVER	1	
36	0800-011102-00021	PLAIN BEARING 1	1	BLUE@THICK
36	0800-011102-00011	PLAIN BEARING 1	1	RED@THIN
37	0800-011103-00021	PLAIN BEARING 2	1	BLUE@THICK
37	0800-011103-00011	PLAIN BEARING 2	1	RED@THIN
38	0800-0111A0-00001	PLAIN BEARING KIT, MAIN SHAFT	1	RED
38	0800-0111B0-00001	PLAIN BEARING KIT, MAIN SHAFT	1	BLUE

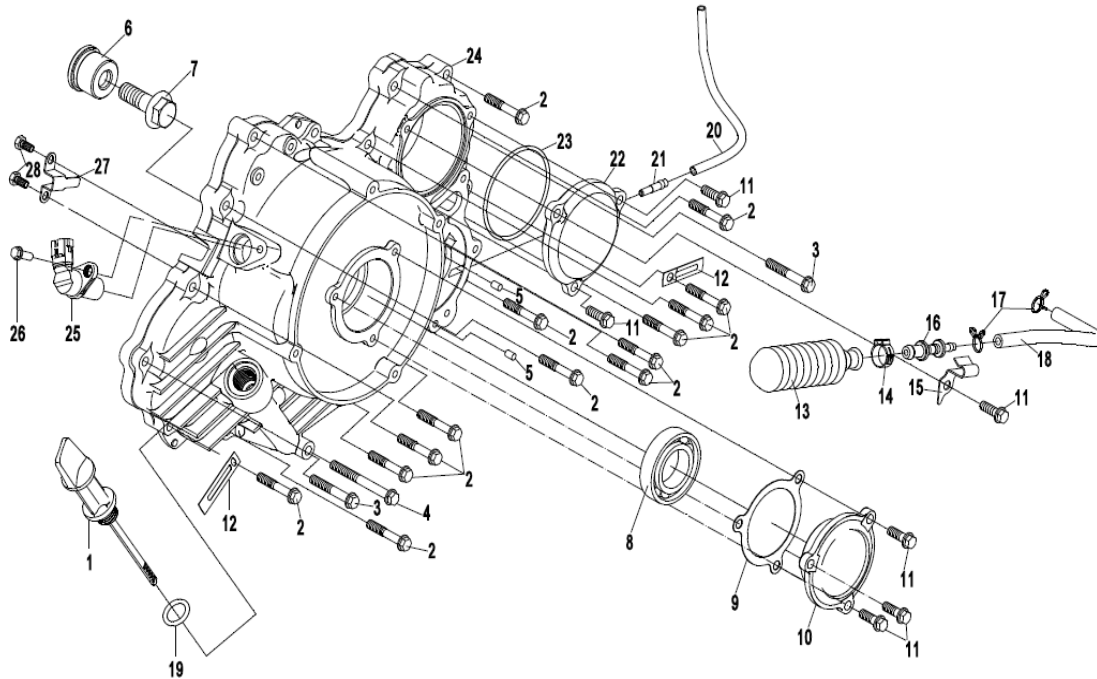
CVT箱组/CVT CASE ASSY



E01-3 CVT CASE ASSY

Item No.	Parts Number	Parts Name(EN)	Qty	Specification
1	0180-068001-00100	HOLLOW BOLT M14x1.5	1	M14x1.5
2	0180-011006	GASKET 14	1	14
3	OJY0-013102-00011	PLAIN BEARING, CVT	2	RED
3	OJY0-013102-00021	PLAIN BEARING, CVT	2	BLUE
4	OJY0-013103	OIL SEAL 32X55X10	1	32X55X10
5	OJWB-0131A0	CVT CASE	1	
6	0010-013010-0010	BOLT M6x50	9	M6x50
7	0010-080013-0010	BOLT M6x22	6	M6x22
8	0010-021018-0010	BOLT M6x55	2	M6x55
9	OJWV-013002-6000	GASKET, CVT COVER	1	
10	OJWV-013201-6000	CVT COVER	1	
11	OJY0-013201-00002	BOLT, CVT CASE COVER	8	
11	OJY0-013201-00003	BOLT, CVT CASE COVER	8	
12	0800-021102	RUBBER WASHER	8	
13	0800-021103	CAP, RUBBER WASHER	8	
14	0700-012701	O-SEAL RING	1	10x2
15	OJWV-013202-6000	DRAIN BOLT	1	

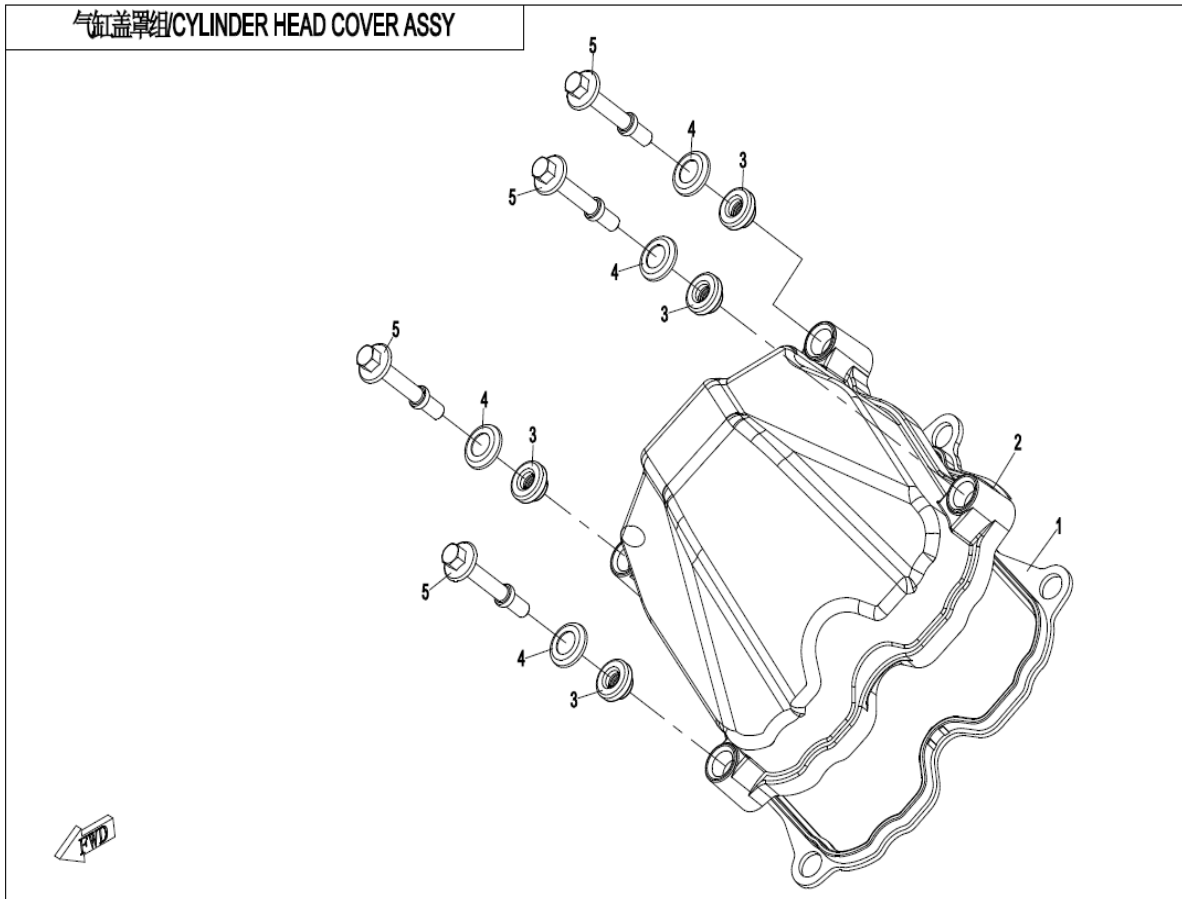
左曲轴箱盖组/LEFT CRANKCASE COVER ASSY



E01-4 LEFT CRANKCASE COVER ASSY

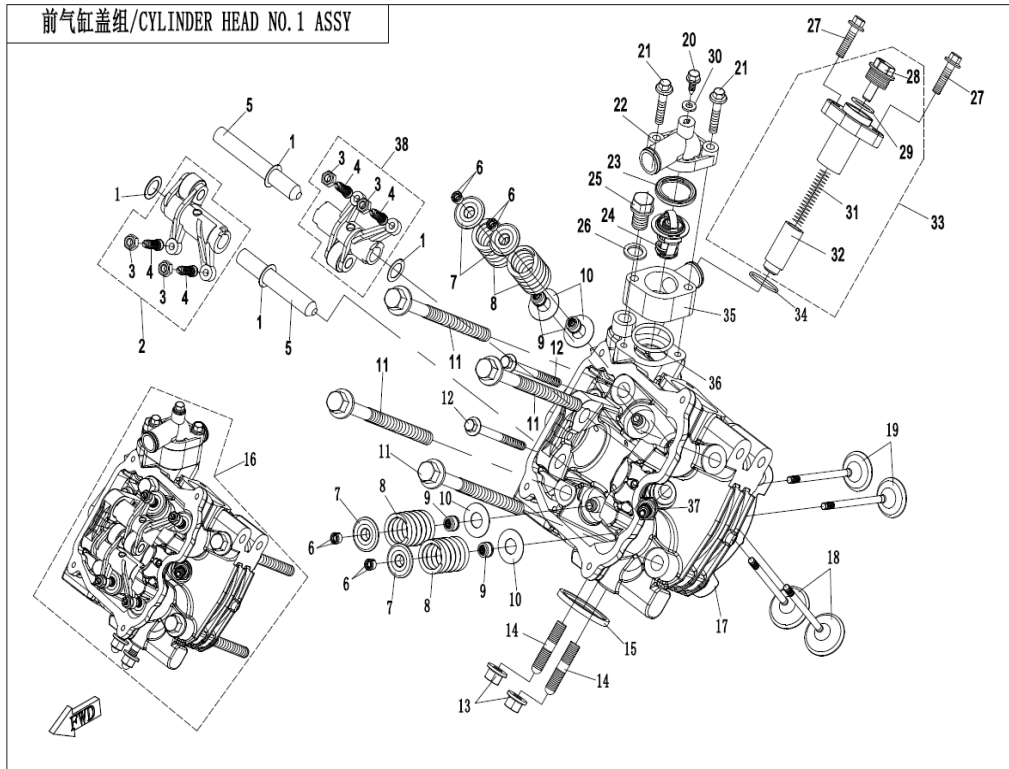
Item No.	Parts Number	Parts Name(EN)	Qty	Specification
01	0JYA-014004	OIL DIPSTICK	1	
02	0010-013008-0010	BOLT M6x35	14	M6x35
03	0010-013009-0010	BOLT M6x40	2	M6x40
04	0010-011017-0010	BOLT M6x60	1	M6x60
05	30406-00500	ROLLER NEEDLE P5x11.8	2	P5x11.8
06	0800-014008	SLEEVE, TIGHTENING	1	
07	0800-014009-00001	BOLT M12x1.25x35	1	M12x1.25x35
08	30400-02800	BEARING	1	
09	0GRA-014003	O-SEAL RING 48x2.5	1	
10	0800-014011-10000	PLUG	1	
11	0010-023008-0010	BOLT M6x18	6	M6x18
12	0180-014010	WIRE CLIP	2	
13	0JWA-014403	AIR BAG	1	
14	6070-120400	CLAMP	1	Dia14.5
15	0JWA-014401	SUPPORTER, AIR BAG	1	
15	0JWA-014401-10000	SUPPORTER, AIR BAG	1	
16	0JWA-014402	JOINT, AIR BAG	1	
17	30601-108010	CLAMP A8	2	A8
18	0JWA-014404	BREATHER HOSE, AIR BAG	1	
19	0110-013030	O-SEAL RING 18x3.55	1	18x3.55
20	0180-080003-10000	HOSE, OVERFILLING	1	
21	0180-311004-0020	JOINT, BREATHER HOSE	1	
22	0800-014002-00001	FILTER COVER	1	
23	0800-014003	O-SEAL RING 63x2.5	1	63x2.5
24	0JWA-014001-10000	LH CRANKCASE COVER	1	
25	0JWV-014100-6000	TRIGGER ASSY	1	
26	0010-090005-0010	BOLT M6x16	1	M6x16
27	0JWA-014003-10000	WIRE CLAMP	1	
28	0180-014004-00100	BOLT, LEAD HOLDER	2	

气缸盖罩组/CYLINDER HEAD COVER ASSY



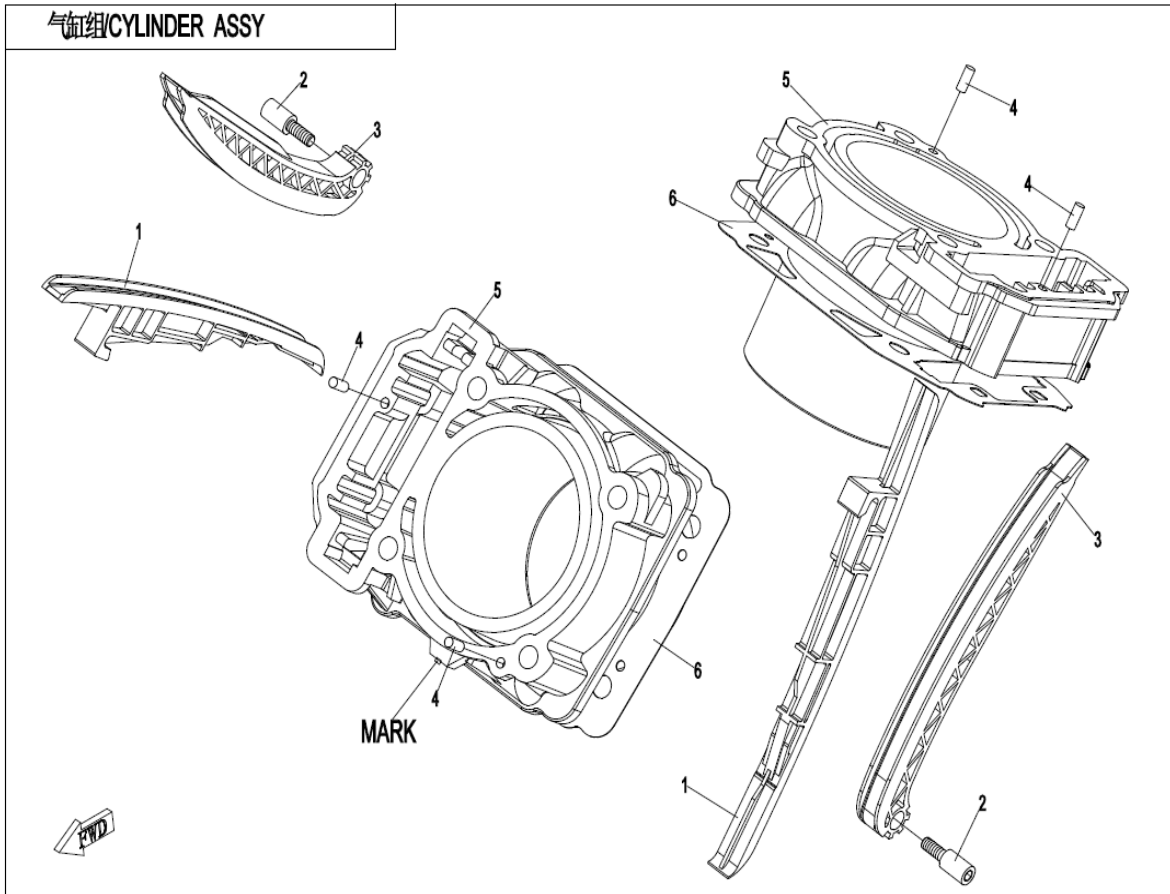
E02-1 CYLINDER HEAD COVER ASSY

Item No.	Parts Number	Parts Name(EN)	Qty	Specification
01	0800-021002-00001	SEAL RING, CYLINDER HEAD COVER	1	
02	0800-021001	CYLINDER HEAD COVER	1	
03	0800-021102-10000	RUBBER WASHER	4	
04	0800-021103	CAP, RUBBER WASHER	4	
05	0800-021101-10001	BOLT, CYLINDER HEAD COVER	4	



E02-2 CYLINDER HEAD NO.1 ASSY

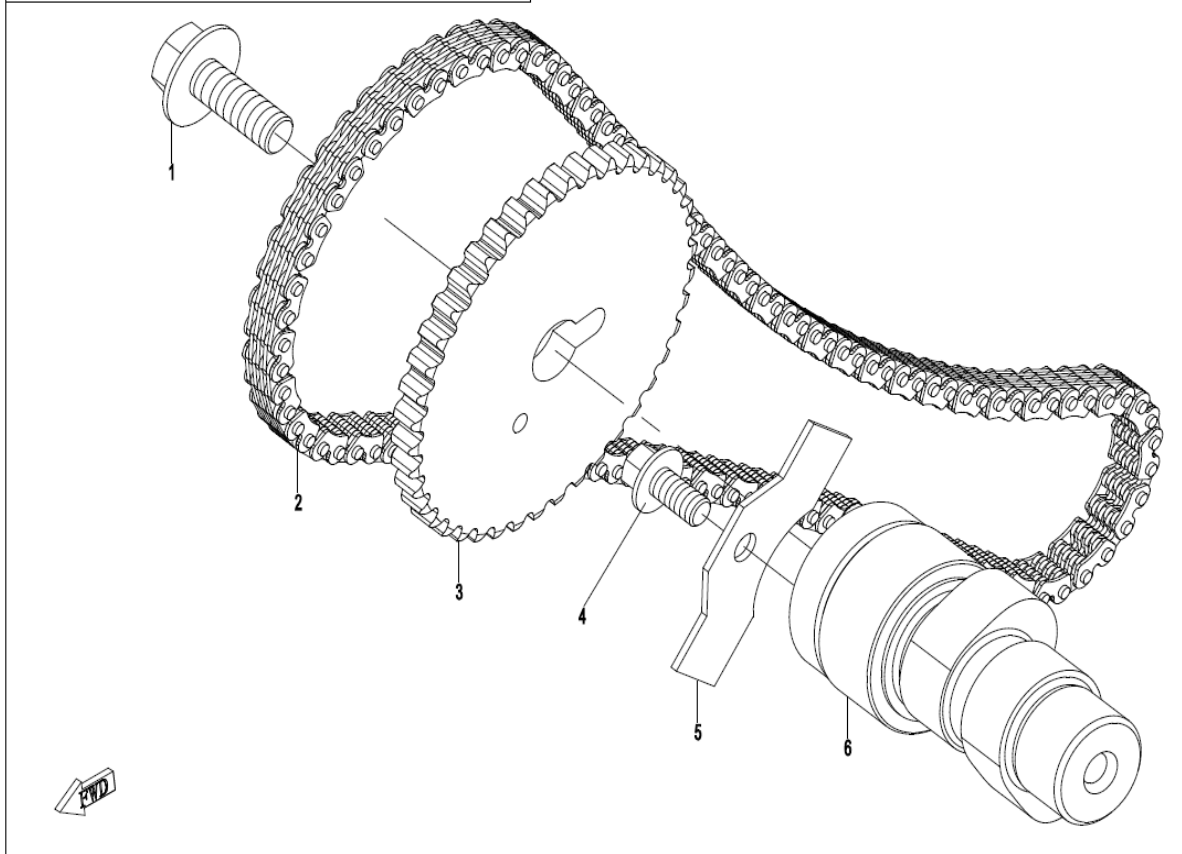
Item No.	Parts Number	Parts Name(EN)	Qty	Specification
01	0800-022002	WASHER	4	12.3x18.5x0.5
02	0800-022600-20000	ROCKER ARM ASSY, AIR EXHAUST	1	
03	0800-022506	ADJUST NUT, VALVE CLEARANCE	4	
04	0800-022510	ADJUST SCREW, VALVE CLEARANCE	4	
05	0800-022001	ROCKER ARM SHAFT	2	
06	0800-022016	LOCK CLIP, VALVE	1	
07	0800-022007	UPPER SEAT, VALVE SPRING	4	
08	0800-022006-10000	SPRING, VALVE	4	
09	0010-022500-10000	SEAL RING, VALVE STEM	1	
10	0800-022008	LOWER SEAT, VALVE SPRING	4	
11	0800-022003-00001	BOLT, CYLINDER	4	
12	0800-022009-00001	BOLT M6x80	2	M6x80
13	0010-011700-0010	FLANGE NUT M8	2	M8
14	0180-022003-00001	STUD	2	
15	0800-022300	BUSHING, EXHAUST PIPE	1	
16	0800-0220A0	FIRST CYLINDER HEAD	1	
17	0800-022200-00002	GASKET, CYLINDER HEAD	1	
18	0800-022004	VALVE, INTAKE	2	
19	0800-022005	VALVE, EXHAUST	2	
20	30132-550160030	SCREW ST5.5x16	1	ST5.5x16
21	0180-013208-0010	BOLT M6x45	2	M6x45
22	0800-022013-10000	THERMOSTAT CAP	1	
23	0010-022802	SEAL RING	1	
24	0800-022700	THERMOSTAT	1	
25	0800-022015-00001	SCREW PLUG M12x1.5	1	
26	0800-022014	WASHER 12.2x18x1.5	1	12.2x18x1.5
27	0010-021017-0010	BOLT M6x25	2	M6x25
28	0800-022402	SCREW PLUG, TENSIONER	1	
29	0800-022407	O-SEAL RING 17x1.45	1	17x1.45
30	0800-022011	WASHER 5.3x11x1.5	1	5.3x11x1.5
31	0800-022405	SPRING, CHAIN TENSIONER	1	
32	0800-022410	PLUNGER, CHAIN TENSIONER	1	
33	0800-022400-10000	TENSIONER	1	
34	0800-022017	SEAL RING, TENSIONER	1	20.8x2.4
35	0800-022012	SEAT, THERMOSTAT	1	
36	30502-028000N	O-RING	1	28x2.65
37	0800-022800	SPARK PLUG	1	
38	0800-022500-20000	ROCKER ARM ASSY, AIR INTAKE	1	



E02-3 CYLINDER BODY

Item No.	Parts Number	Parts Name(EN)	Qty	Specification
01	0800-023004	GUIDE PLATE	2	
02	0800-023001-00002	SCREW, TENSIONER PLATE	2	
03	0800-023003	TENSION PLATE	2	
04	30406-00500	ROLLER NEEDLE P5x11.8	4	P5x11.8
05	0800-023100-0001	CYLINDER BODY	2	GROUP 1
05	0800-023100-0002	CYLINDER BODY	2	GROUP 2
06	0800-023002	GASKET, CYLINDER	2	
06	0800-023002-00001	GASKET, CYLINDER	2	

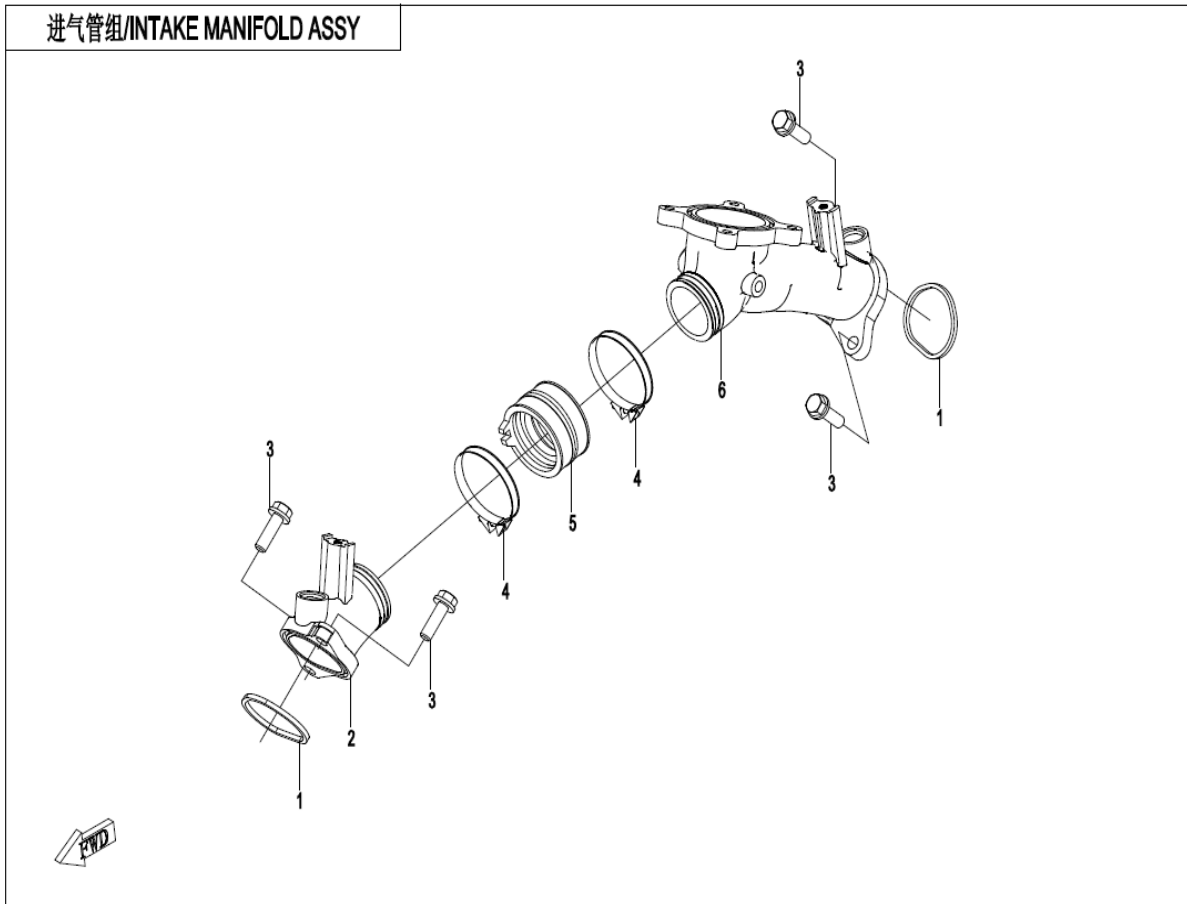
前缸凸轮轴分总成/CAMSHAFT OF CYLINDER 1 ASSY



E02-4 CAMSHAFT OF CYLINDER 1 ASSY

Item No.	Parts Number	Parts Name(EN)	Qty	Specification
01	0800-024003-00001	BOLT, TIMING SPROCKET	1	
02	0800-024100	TIMING CHAIN	1	
03	0800-024006	TIMING SPROCKET	1	
04	0010-021019-0010	BOLT M6x12	1	M6x12
05	0800-024004-10000	HOLDING STRIP, CAMSHAFT	1	
06	OJVV-024010-6000	CAMSHAFT ASSY, FIRST CYLINDER	1	

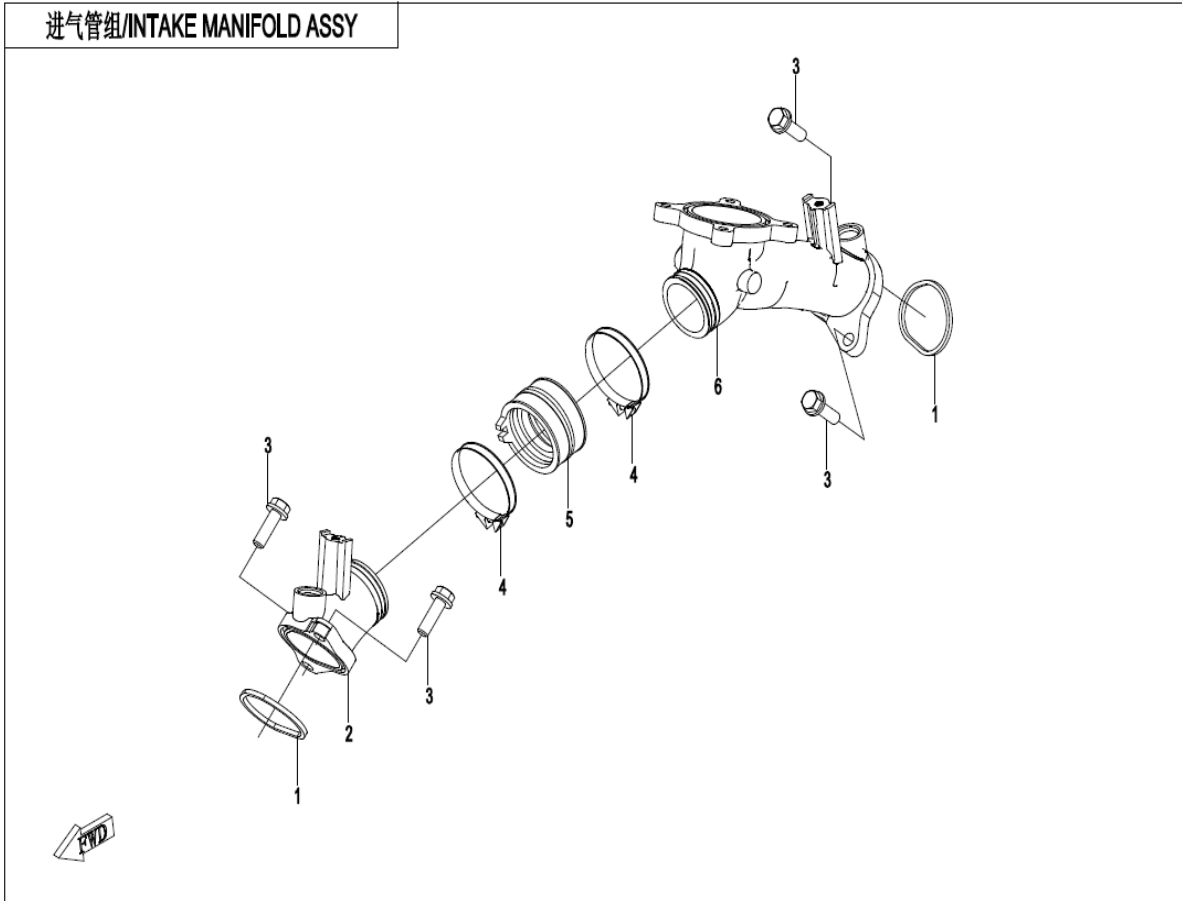
进气管组/INTAKE MANIFOLD ASSY



E02-5-A INTAKE MANIFOLD ASSY (FOR FUEL VAPORIZATION SYSTEM)

Item No.	Parts Number	Parts Name(EN)	Qty	Specification
1	080V-025002-1000	SEAL RING, MANIFOLD	2	
2	0JWD-025003	AUXILIARY AIR INLET MANIFOLD	1	
3	0130-011114-00001	BOLT	4	
4	0120-110003	CLAMP 52	2	
5	0800-025004	JOINT PIPE, AIR INLET PIPE	1	
6	0JWV-025100-6000	MAIN AIR INLET PIPE ASSY	1	

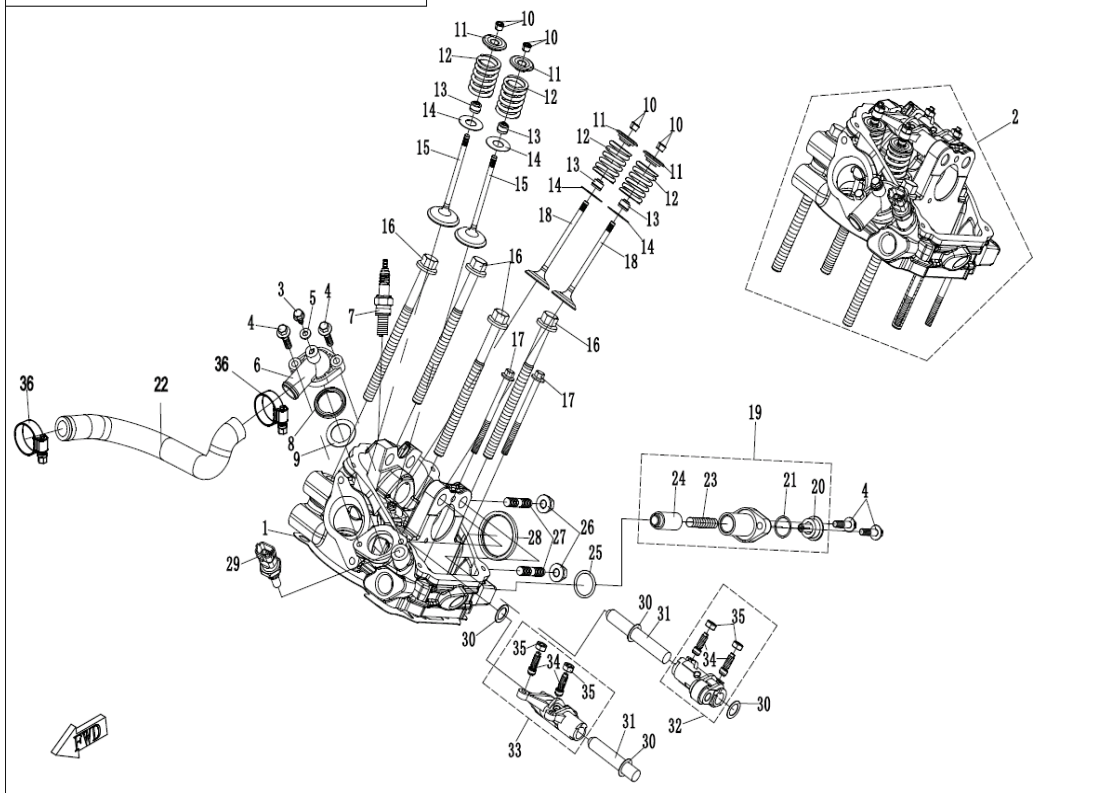
进气管组/INTAKE MANIFOLD ASSY



E02-5-B INTAKE MANIFOLD ASSY (WHITOUT FUEL VAPORIZATION SYSTEM)

Item No.	Parts Number	Parts Name(EN)	Qty	Specification
1	080V-025002-1000	SEAL RING, MANIFOLD	2	
2	0JWD-025003	AUXILIARY AIR INLET MANIFOLD	1	
3	0130-011114-00001	BOLT	4	
4	0120-110003	CLAMP 52	2	
5	0800-025004	JOINT PIPE, AIR INLET PIPE	1	
6	0JWV-025002-6000	MAIN AIR INLET PIPE	1	

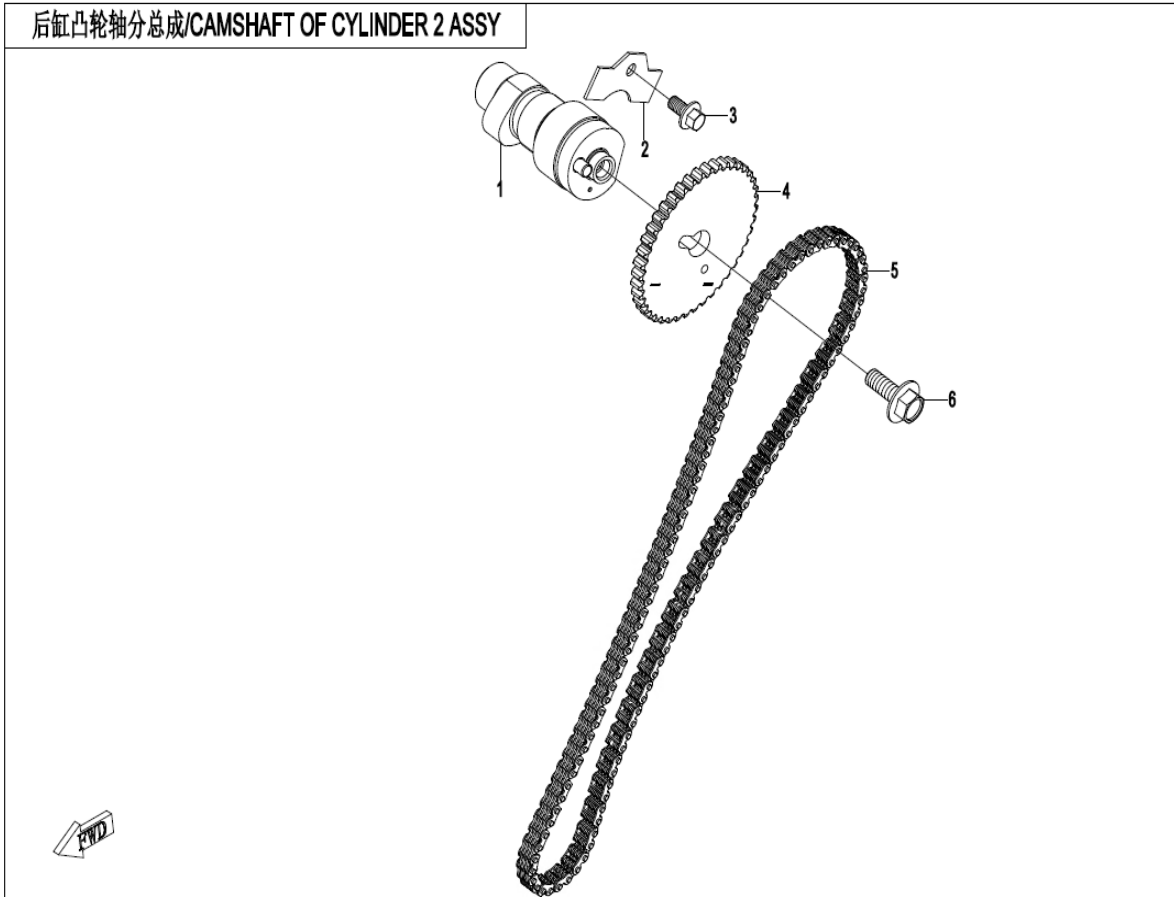
后气缸盖组/CYLINDER HEAD NO.2 ASSY



E02-6 CYLINDER HEAD NO.2 ASSY

Item No.	Parts Number	Parts Name(EN)	Qty	Specification
01	0800-022200-00002	GASKET, CYLINDER HEAD	1	
02	0JWA-0260A0	FIRST CYLINDER HEAD	1	
03	30132-550160030	SCREW ST5.5x16	1	ST5.5x16
04	0010-021017-0010	BOLT M6x25	4	M6x25
05	0800-022011	WASHER 5.3x11x1.5	1	5.3x11x1.5
06	0JWV-026100-6000	THERMOSTAT CAP	1	
07	0800-022800	SPARK PLUG	1	
08	0010-022802	SEAL RING	1	
09	0800-026002	WASHER 20.5x30x0.8	1	20.5x30x0.8
10	0800-022016	LOCK CLIP, VALVE	8	
11	0800-022007	UPPER SEAT, VALVE SPRING	4	
12	0800-022006-10000	SPRING, VALVE	4	
13	0010-022500-10000	SEAL RING, VALVE STEM	1	
14	0800-022008	LOWER SEAT, VALVE SPRING	4	
15	0800-022004	VALVE, INTAKE	2	
16	0800-022003-00001	BOLT, CYLINDER	4	
17	0800-022009-00001	BOLT M6x80	2	M6x80
18	0800-022005	VALVE, EXHAUST	2	
19	0800-022400-10000	TENSIONER	1	
20	0800-022402	SCREW PLUG, TENSIONER	1	
21	0800-022407	O-SEAL RING 17x1.45	1	17x1.45
22	0JYA-026001	CONNECTING PIPE, FRONT & REAR CYLINDER	1	
23	0800-022405	SPRING, CHAIN TENSIONER	1	
24	0800-022410	PLUNGER, CHAIN TENSIONER	1	
25	0800-022017	SEAL RING, TENSIONER	1	20.8x2.4
26	0010-011700-0010	FLANGE NUT M8	2	M8
27	0180-022003-00001	STUD	2	
28	0800-022300	BUSHING, EXHAUST PIPE	1	
29	018B-022810	WATER TEMPERATURE SENSOR	1	
30	0800-022002	WASHER	4	12.3x18.5x0.5
31	0800-022001	ROCKER ARM SHAFT	2	
32	0800-022600-20000	ROCKER ARM ASSY, AIR EXHAUST	1	
33	0800-022500-20000	ROCKER ARM ASSY, AIR INTAKE	1	
34	0800-022510	ADJUST SCREW, VALVE CLEARANCE	4	
35	0800-022506	ADJUST NUT, VALVE CLEARANCE	4	
36	30603-125020	CLAMP D25	2	D25

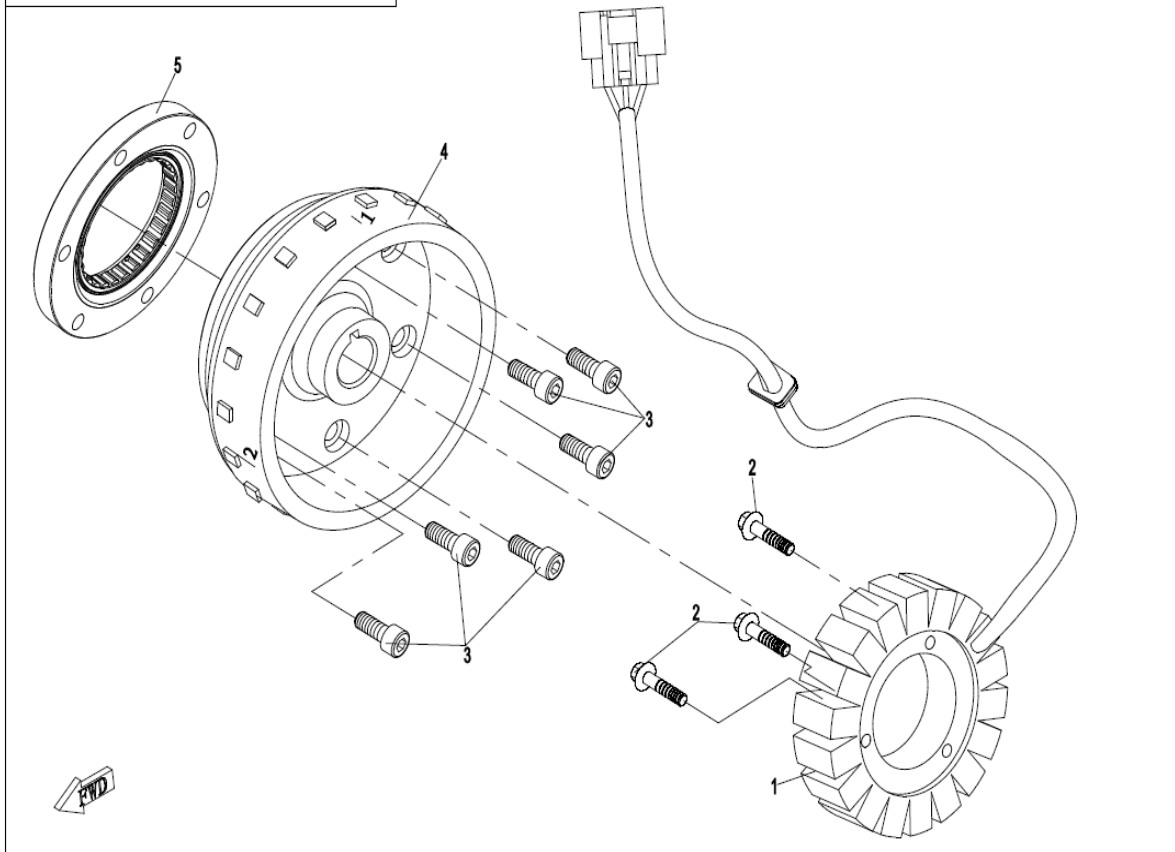
后缸凸轮轴分总成/CAMSHAFT OF CYLINDER 2 ASSY



E02-7 CAMSHAFT OF CYLINDER 2 ASSY

Item No.	Parts Number	Parts Name(EN)	Qty	Specification
01	0JWV-027010-6000	CAMSHAFT ASSY, SECOND CYLINDER	1	
02	0800-024004-10000	HOLDING STRIP, CAMSHAFT	1	
03	0010-021019-0010	BOLT M6x12	1	M6x12
05	0800-024006	TIMING SPROCKET	1	
06	0800-024100	TIMING CHAIN	1	
07	0800-024003-00002	BOLT, TIMING SPROCKET	1	

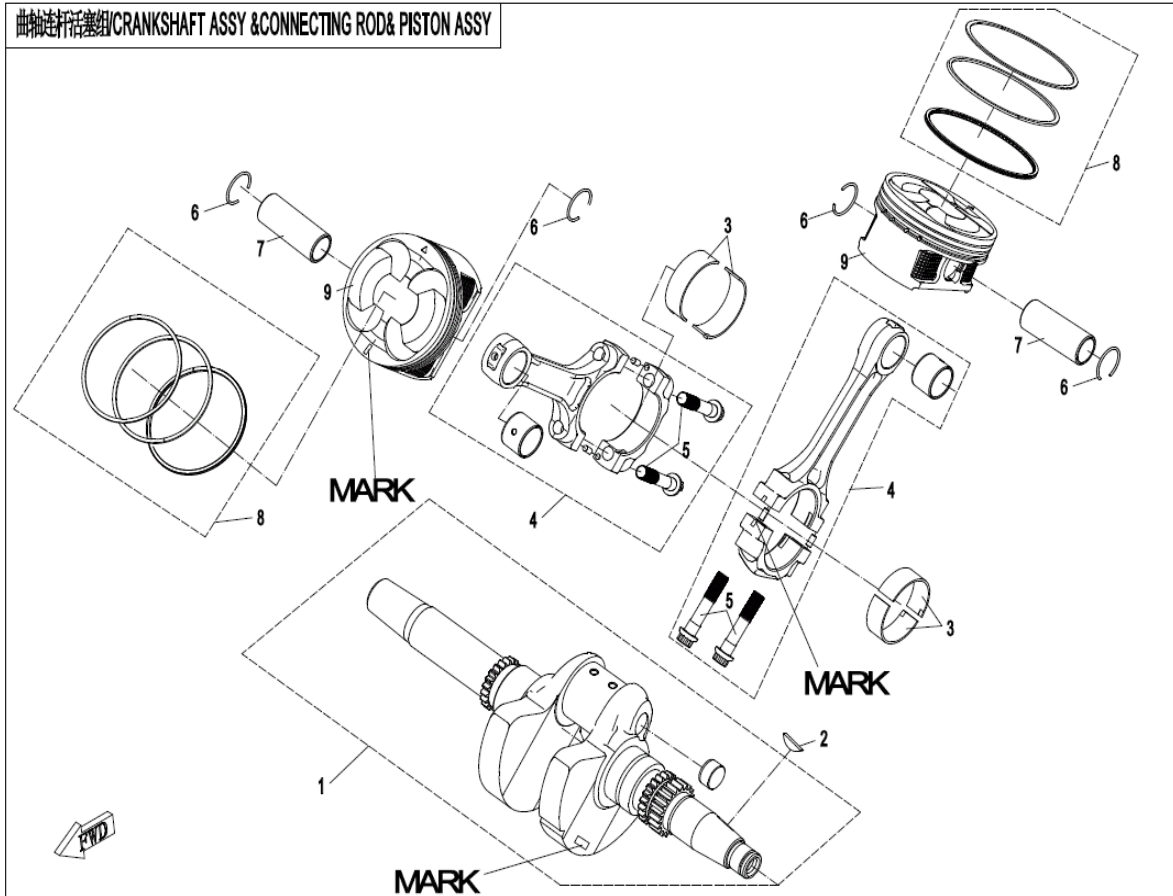
磁电机/MAGNETO ASSY



E03 MAGNETO ASSY.

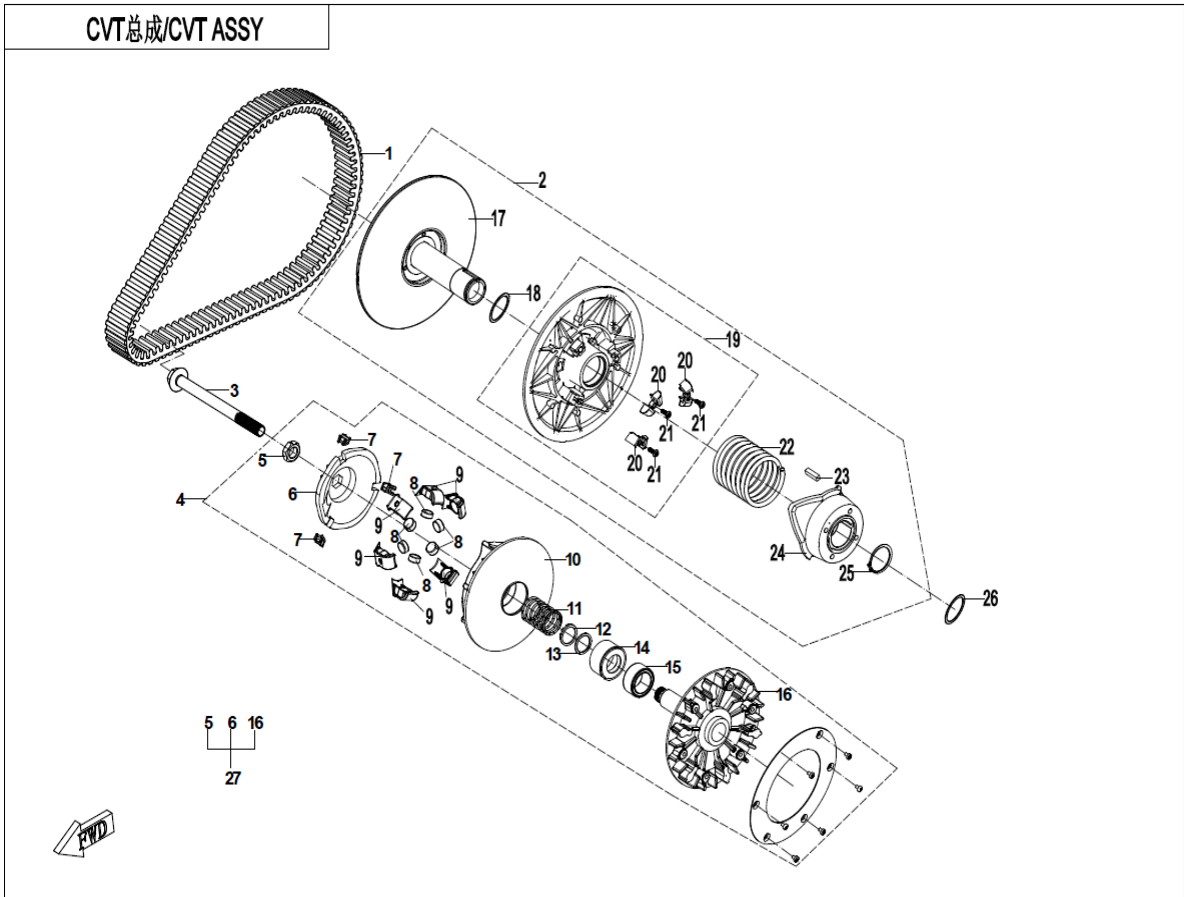
Item No.	Parts Number	Parts Name(EN)	Qty	Specification
01	0800-032000-70000	MAGNETO STATOR ASSY.	1	
02	0800-030001-00001	BOLT M6x35	3	
03	30102-080020810	SCREW M8x20	6	M8x20
04	0JYA-031000-40000	MAGNETO ROTOR ASSY.	1	
05	0180-091200	OVERRIDING CLUTCH	1	

曲轴连杆活塞组/CRANKSHAFT ASSY & CONNECTING ROD & PISTON ASSY



E04 CRANKSHAFT & CONNECTING ROD & PISTON ASSY

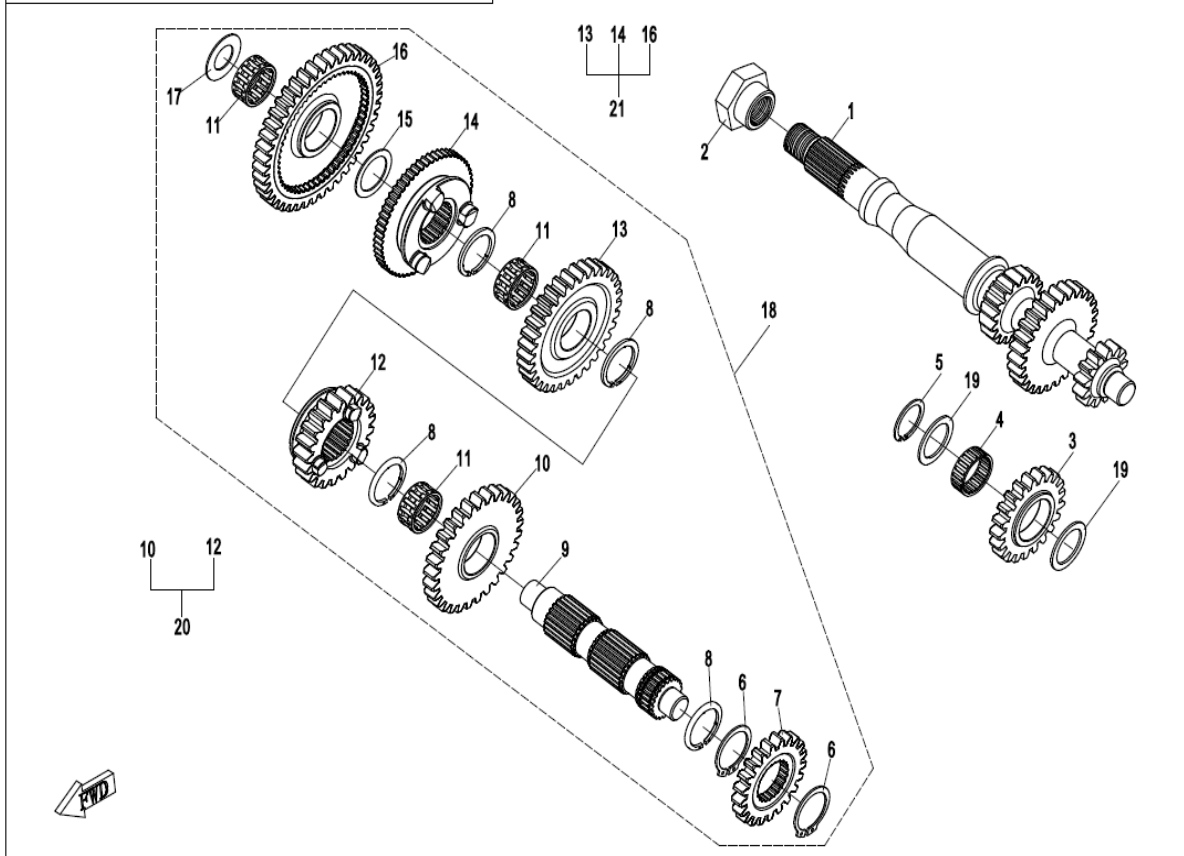
Item No.	Parts Number	Parts Name(EN)	Qty	Specification
01	OJWA-041000-10012	CRANKSHAFT	1	MARK A
01	OJWA-041000-10022	CRANKSHAFT	1	MARK B
01	OJWA-041000-10014	CRANKSHAFT	1	
01	OJWA-041000-10024	CRANKSHAFT	1	
02	0180-040007	WOODRUFF KEY	1	
03	0800-040006-00012	PLAIN BEARING, CONNECTING ROD	4	RED
03	0800-040006-00022	PLAIN BEARING, CONNECTING ROD	4	BLACK
03	0800-040006-00032	PLAIN BEARING, CONNECTING ROD	4	YELLOW
04	0800-042000-00011	CONNECTING ROD ASSY	2	MARK 1
04	0800-042000-00021	CONNECTING ROD ASSY	2	MARK 2
05	0800-042004	BOLT, CONNECTING ROD	4	
06	0800-040005	CIRCLIP, PISTON PIN	4	
07	0800-040002	PISTON PIN	2	
08	0800-0400A0	PISTON RING ASSY	2	SUPPLIERS:DY
09	0800-040001-20012	PISTON	2	MARK1
09	0800-040001-20022	PISTON	2	MARK 2



E05 CVT ASSY

Item No.	Parts Number	Parts Name(EN)	Qty	Specification
01	OJWA-055000-10000	TOOTHED DRIVE BELT	1	
02	OJYA-052000-10000	DRIVEN PULLEY ASSY	1	
03	OJYO-050001-00001	BOLT, DRIVE PULLEY	1	
04	OJYA-051000-20000	DRIVE PULLEY ASSY	1	
05	OJYA-051013-10001	NUT, DRIVE PULLEY	1	
06	OJYA-051006-10000	THRUST COLLAR	1	CVtech
07	OJYA-051004-10000	NYLON PARTS, THRUST DISC	3	
08	OGR0-051004-20000	WEIGHT ROLLER	6	16g
09	OGR0-051005	NYLON PROTECTOR, WEIGHT ROLLER	6	CVtech
10	OJYA-051100	MOVING PLATE ASSY, DRIVE PULLEY	1	CVtech
11	OJYO-051002	SPRING,DRIVE PULLEY	1	CVtech
12	OGR0-051009-10000	NYLON WASHER	1	
13	OGR0-051011	STEEL WASHER	1	CVtech
14	OGR0-051001	SPRING SEAT	1	CVtech
15	OGR0-051400-10000	BEARING	1	
16	OJYA-051200-10000	DRIVE PULLEY STATIONARY SHEAVE	1	
17	OJYA-052100-10000	FIXED SHEAVE, DRIVEN PULLEY	1	
18	OJYD-052001	NYLON WASHER	1	
19	OGR0-0522A0	SLIDING FLANGE ASSY	1	CVtech
20	OGR0-052005	NYLON BLOCK	3	CVtech
21	OGR0-052006	SCREW	3	CVtech
22	OGR0-052001	SPRING, DRIVEN PULLEY	1	CVtech
23	OGR0-052003	TAPER KEY	1	CVtech
24	OGR0-052002	CAM PLATE	1	CVtech
25	OGR0-052004	CIRCLIP	1	CVtech
26	OGR0-050001-00001	ADJUSTING WASHER	1	
27	OJYA-0512A0	THRUST DISC SERVICE KIT	1	

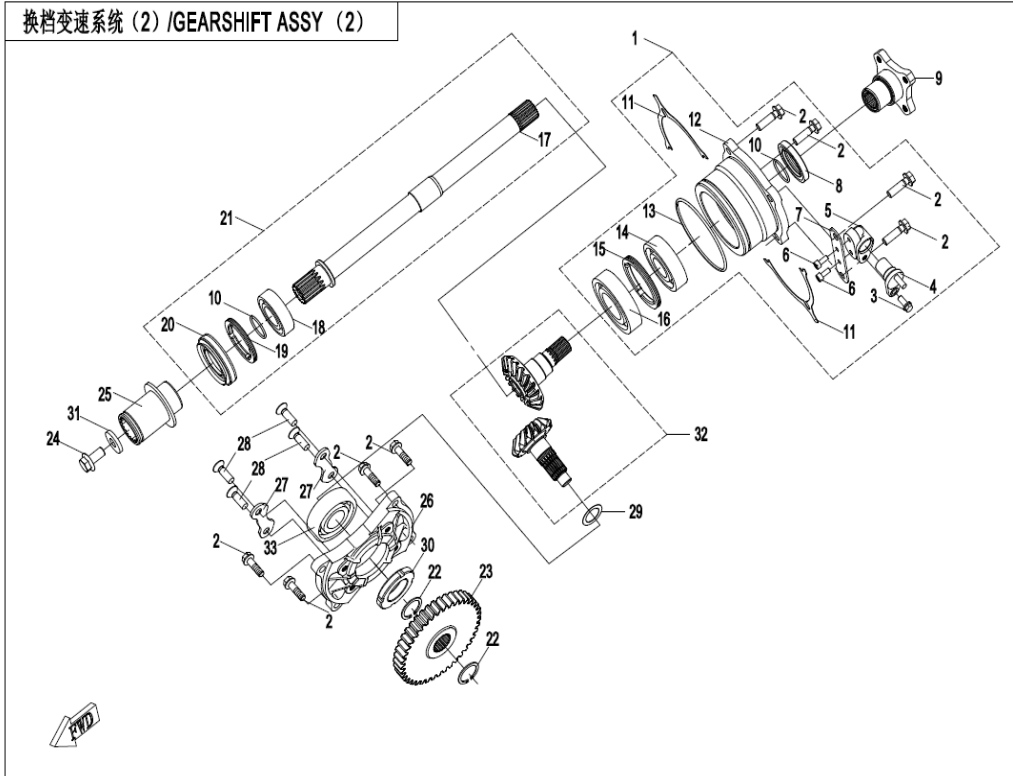
换挡变速系统 (1) / TRANSMISSION SYSTEM (1)



E06-1 TRANSMISSION SYSTEM(1)

Item No.	Parts Number	Parts Name(EN)	Qty	Specification
01	0800-060004-10000	MAIN SHAFT, GEARSHIFT	1	
02	0JYV-060001-4000	NUT, DRIVEN PULLEY	1	
03	0800-060003	INTERMEDIATE GEAR, REVERSE	1	
04	30402-02500	NEEDLE BEARING	1	K25x29x10
05	0180-061007-0050	CIRCLIP 25	1	25
06	30801-02905	CIRCLIPS FOR SHAFT	2	29
07	0800-061009	GEAR, PARKING	1	
08	0800-061007	CIRCLIP 29	4	29
09	0800-061001	DRIVEN SHAFT	1	
11	30402-02402	NEEDLE BEARING	3	24
15	0800-061003	WASHER 24.5x33.5x1	1	24.5x33.5x1
17	0800-061002	WASHER 17.5x32x1	1	17.5x32x1
18	0JWA-061000-30000	GEARSHIFT DRIVEN SHAFT	1	
19	0GR0-061009-00001	WASHER 25x34x1.5	2	25x34x1.5
20	0JWA-0610A0-30000	DRIVEN GEAR ASSY	1	
21	0JWA-0610B0-30000	GEARSHIFT GEAR ASSY	1	

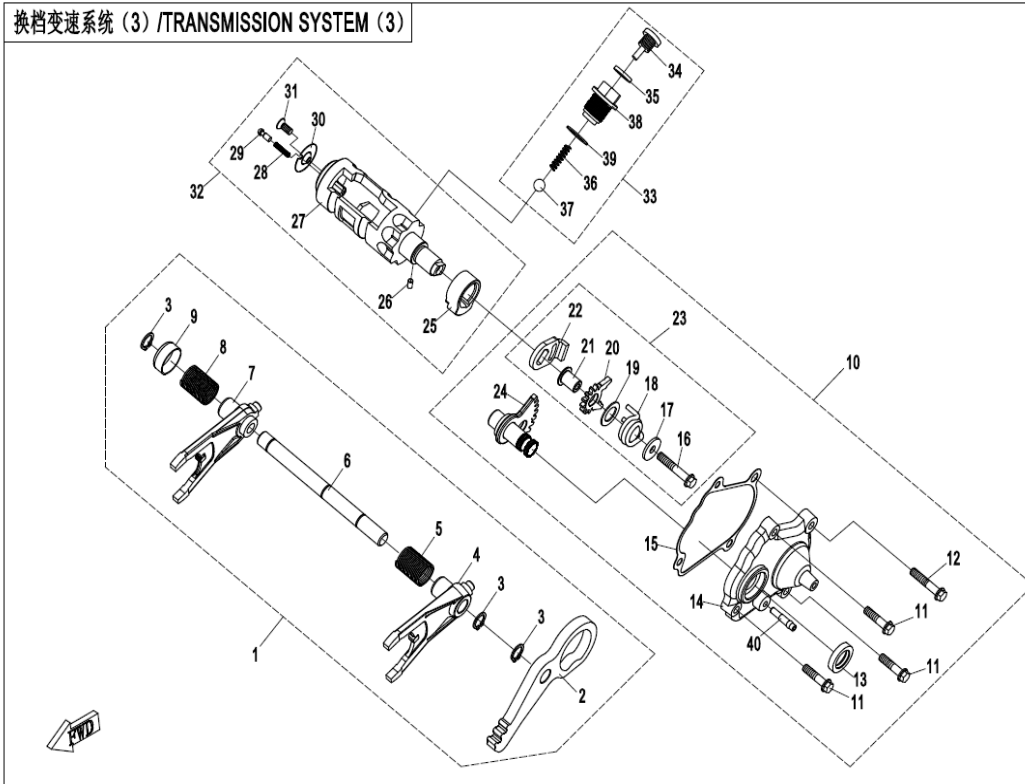
换挡变速系统 (2) /GEARSHIFT ASSY (2)



E06-2 TRANSMISSION SYSTEM(2)

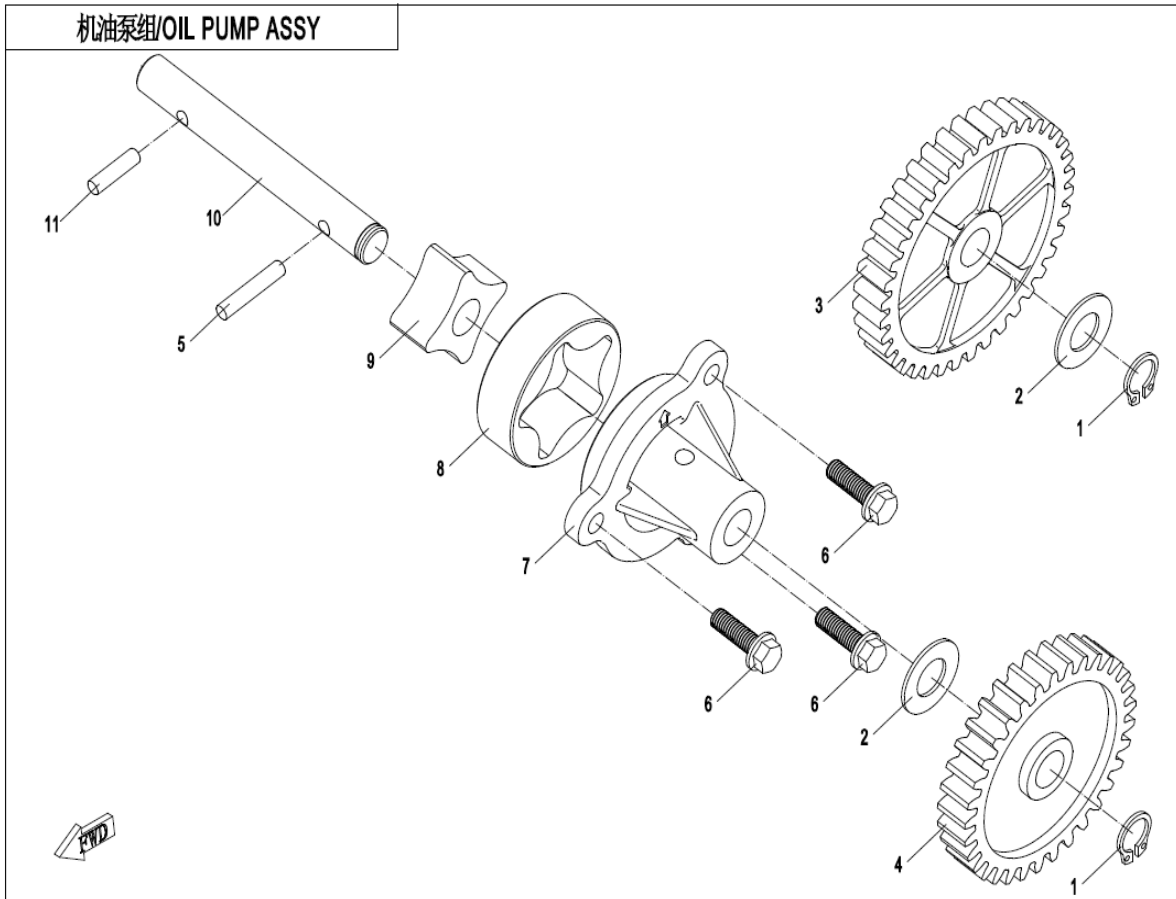
Item No.	Parts Number	Parts Name(EN)	Qty	Specification
01	0800-0622B0-00001	DRIVEN BEVEL GEAR	1	
02	0JYA-062104	BOLT M8x28	8	M8x28
03	30001-060014810	BOLT M6x14	1	M6x14
04	7020-150400	SPEED SENSOR	1	
05	0800-062208	SEAT, SPEED SENSOR	1	
06	30102-050012810	SCREW M5x12	2	M5x12
07	0800-062209	PLATE, SPEED SENSOR	1	
08	0800-062204	OIL SEAL 35x50x7	1	35x50x7
09	0JYA-060100	COUPLER ASSY., REAR TRANSMISSION OUTPUT	1	
10	0800-062205	O-SEAL RING 25x2	2	25x2
11	0800-062203	ADJUSTING GASKET, DRIVEN BEVEL GEAR T=0.1	2	T=0.1
11	0800-062203-0050	ADJUSTING GASKET, DRIVEN BEVEL GEAR T=0.15	2	T=0.15
11	0800-062203-0001	ADJUSTING GASKET, DRIVEN BEVEL GEAR T=0.2	2	T=0.2
11	0800-062203-0002	ADJUSTING GASKET, DRIVEN BEVEL GEAR T=0.3	2	T=0.3
11	0800-062203-0003	ADJUSTING GASKET, DRIVEN BEVEL GEAR T=0.4	2	T=0.4
11	0800-062203-0004	ADJUSTING GASKET, DRIVEN BEVEL GEAR T=0.5	2	T=0.5
12	0800-062202-10001	DRIVEN BEVEL GEAR BEARING SEAT	1	
13	0180-062205	O-SEAL RING 88x2.5	1	88x2.5
14	30499-02501	BEARING	1	6305C3@NTN
15	0800-062206	STOPPER NUT, BEARING	1	
16	30400-03500	BEARING	1	35
17	0JWA-062301-10001	FRONT OUTPUT SHAFT ASSY	1	
18	30400-02501	BEARING	1	25
19	0180-060008	BEARING RETAINER, FRONT OUTPUT SHAFT	1	
20	0JWA-062302	OIL SEAL 35x61x9(14)	1	35x61x9
21	0JWA-062300-10001	FRONT OUTPUT SHAFT ASSY	1	
22	0180-061007-0050	CIRCLIP 25	2	25
23	0800-062102	OUTPUT DRIVEN GEAR	1	
24	0JWA-060002-00001	BOLT M10x1.25x30	1	
25	0GQ0-060100	FRONT OUTPUT BUSHING ASSY	1	
26	0JYA-062103	BEARING SEAT,DRIVE BEVEL GEAR	1	
27	0180-062104-0010	LIMITATOR, BEARING	2	
28	30124-080025810	SCREW M8x25	4	M8x25
29	0JYV-062101-1E00-Q0-00001	ADJUSTING WASHER, DRIVE BEVEL GEAR	1	t=1.400-1.449
29	0JYV-062101-1E00-Q0-00002	ADJUSTING WASHER, DRIVE BEVEL GEAR	1	t=1.450-1.499
29	0JYV-062101-1E00-Q0-00003	ADJUSTING WASHER, DRIVE BEVEL GEAR	1	t=1.500-1.549
29	0JYV-062101-1E00-Q0-00004	ADJUSTING WASHER, DRIVE BEVEL GEAR	1	t=1.550-1.599
29	0JYV-062101-1E00-Q0-00005	ADJUSTING WASHER, DRIVE BEVEL GEAR	1	t=1.600-1.649
30	0JYA-062102-00001	LOCK NUT, BEVEL GEAR	1	M10x1.25x30
31	0GR0-062204	WASHER 10x27.5x4	1	10x27.5x4
32	0JYA-0620A0-1E00	BEVEL GEAR	1	
33	30499-02800	BEARING	1	

换挡变速系统 (3) / TRANSMISSION SYSTEM (3)



E06-3 TRANSMISSION SYSTEM(3)

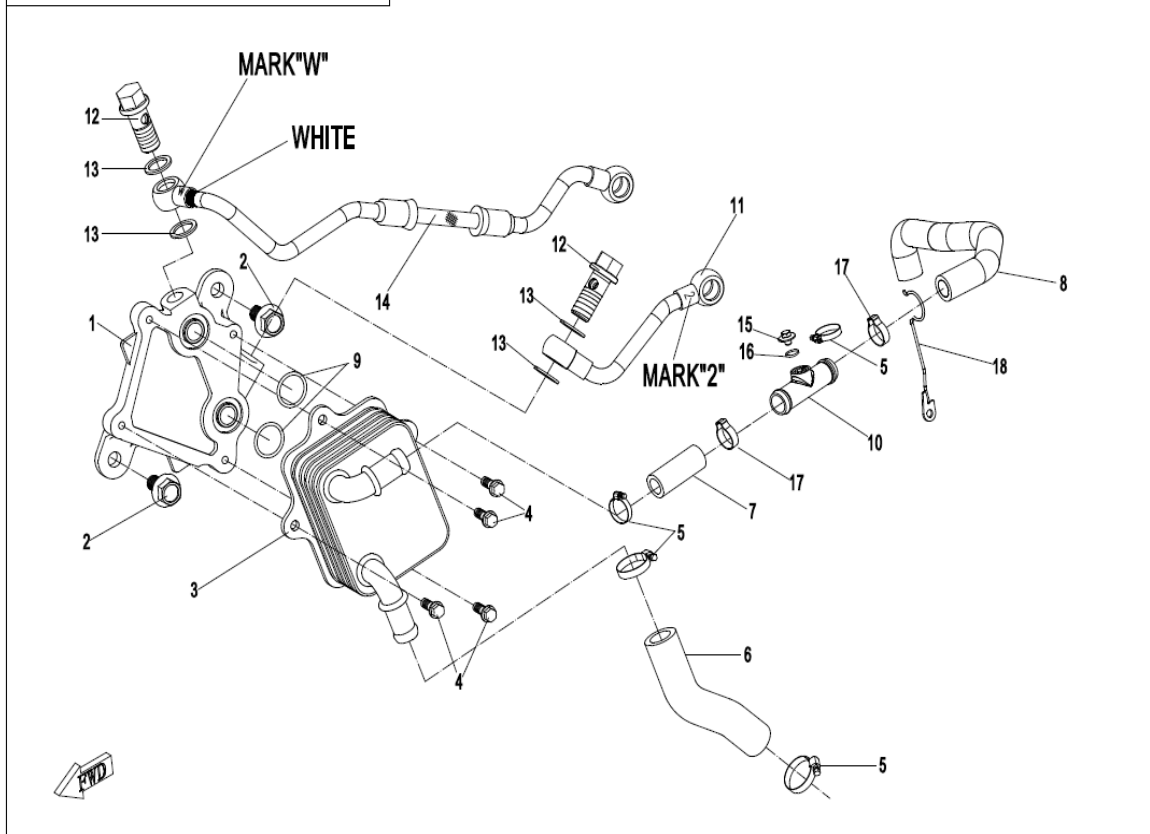
Item No.	Parts Number	Parts Name(EN)	Qty	Specification
01	0800-063000	SHIFT FORK ASSY	1	
02	0800-063001-00001	SWING ARM, PARKING	1	
03	30801-01205	CIRCLIPS FOR SHAFT	3	12
04	0800-063003	SHIFT FORK, LH	1	
05	0180-063003-0050	FORK SPRING, THIN	1	
06	0800-063002	SHAFT, SHIFT FORK	1	
07	0800-063004	SHIFT FORK, RH	1	
08	0180-063005-0050	FORK SPRING, THICK	1	
09	0180-063006-0010	SPRING SEAT	1	
10	OJWA-06500Z-20001	SHIFT SECTOR GEAR	1	
11	0010-021017-0010	BOLT M6x25	3	M6x25
12	0010-080012-0010	BOLT M6x32	1	M6x32
13	0180-065002	OIL SEAL	1	SD15x25x5
14	OJWA-065101-20000	GEARSHIFT COVER	1	
15	OGR0-065003	METAL GASKET, SECTOR GEAR	1	
16	0010-013008-0010	BOLT M6x35	1	M6x35
17	0180-065206-00001	WASHER 6.2x22x2	1	
18	0180-065205-0010	TORSION SPRING, DRIVEN SECTOR GEAR	1	
19	0180-065204-0050	GASKET 13.5x22x1	1	13.5x22x1
20	0180-065203	DRIVEN SECTOR GEAR	1	
21	0180-065202-0050	SHAFT, DRIVEN SECTOR GEAR	1	
22	0180-065201-0010	WASHER, DRIVEN SECTOR GEAR	1	
23	0180-065200	DRIVEN SECTOR GEAR ASSY	1	
24	0180-065100-10002	DRIVE SECTOR GEAR	1	
25	0800-064003	CAM, PARKING	1	
26	0800-064002	PIN SHAFT	1	
27	0800-064001-10000	SHIFT DRUM	1	
28	0180-064004-0050	SPRING, GEAR CONTACTOR	1	
29	0180-064003-0050	GEAR CONTACTOR	1	
30	0180-064001-0010	LIMIT GASKET	1	
31	0180-064002-00001	LOCK SCREW T25	1	
32	0800-064000-10000	DRUM ASSY, GEARSHIFT	1	
33	OJWA-068000	BOLT ASSY SHIFT LIMIT	1	
34	0800-068001-00001	SPRING SEAT, GEARSHIFT LIMIT	1	
35	OJWA-068004	WASHER	1	12.2x18x3
36	0180-068003-0050	SPRING, LIMIT	1	
37	3120003	STEEL BALL	1	38"
38	OJWA-068002	BOLT, GEARSHIFT LIMIT	1	
39	OJWA-068003	WASHER	1	18.2x25x1.5, CUPRUM
40	0180-311004-0020	JOINT, BREATHER HOSE	1	



E07-1 OIL PUMP ASSY

Item No.	Parts Number	Parts Name(EN)	Qty	Specification
01	30801-01005	CIRCLIPS FOR SHAFT	2	10
02	0800-011005	WASHER 10	2	10
03	0800-070006-1000	IDLE GEAR, OIL PUMP	1	
04	0800-070005	GEAR, OIL PUMP	1	
05	30406-00402	ROLLER NEEDLE P4x21.8	1	P4x21.8
06	0010-030002-0020	BOLT M5x16	3	M5x16
07	OJWA-070003	COVER, OIL PUMP	1	
08	0800-070002	OUTER ROTOR, OIL PUMP	1	
09	0800-070001	INNER ROTOR, OIL PUMP	1	
10	OJWA-070004	SHAFT, OIL PUMP	1	
11	30406-00400	ROLLER NEEDLE P4x15.8	1	P4x15.8

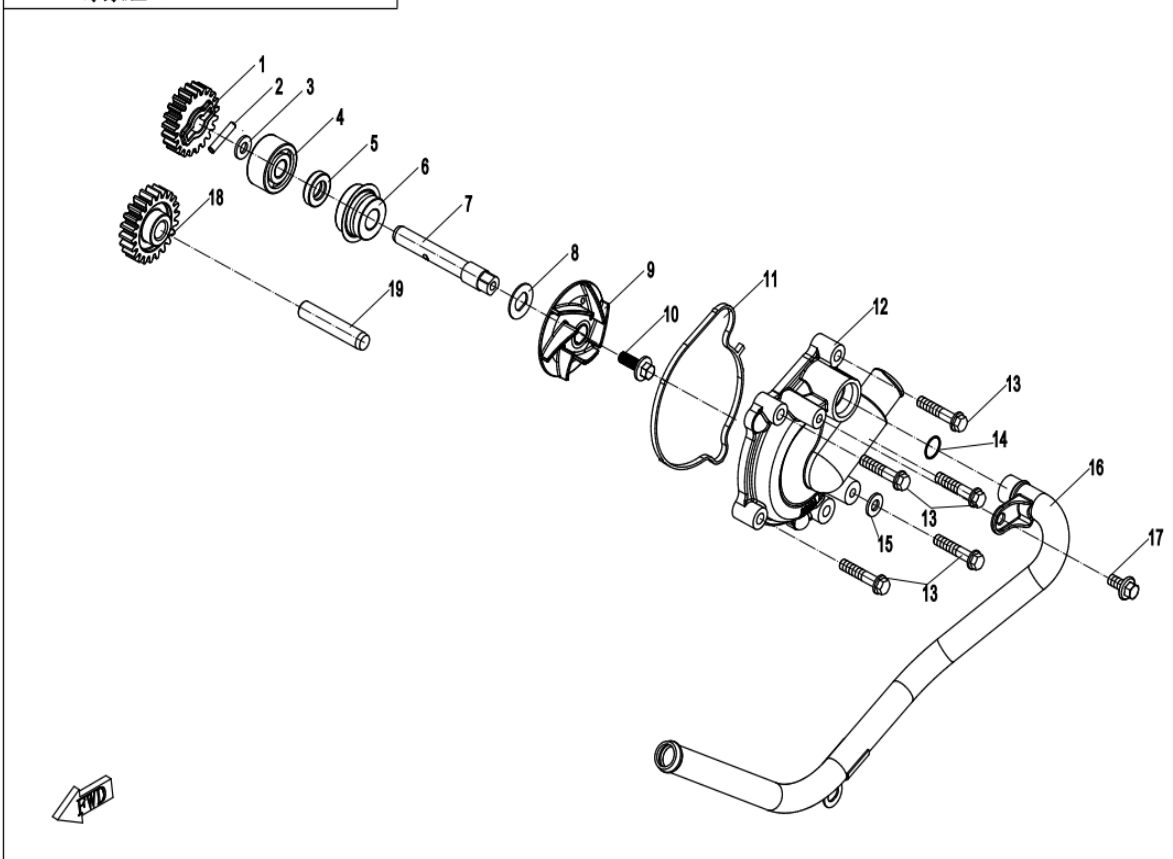
油冷器组/OIL COOLING ASSY



E07-2 OIL COOLING SYSTEM.

Item No.	Parts Number	Parts Name(EN)	Qty	Specification
01	0JWA-071001	BASE SEAT, OIL COOLER	1	
02	30006-103020810	BOLT M10x20	2	M10x20
03	0JWA-071300	OIL COOLER	1	
04	0010-023008-0010	BOLT M6x18	4	M6x18
05	30603-125020	CLAMP D25	4	D25
06	0JWA-071002-10000	WATER INLET HOSE, OIL COOLER	1	
07	0JWA-071007	WATER OUTLET PIPE 1, OIL COOLER	1	
08	0JWA-071008	WATER OUTLET PIPE 2, OIL COOLER	1	
09	30502-017000F	O-RING 17x2.5	2	17x2.5
10	0JYA-071401	WATER OUTLET BIPASS	1	
11	0JWA-071200	OIL OUTLET PIPE, OIL COOLER	1	
12	0180-011007-0010	BOLT M14x1.5x32	2	M14x1.5x32
13	0180-011006	GASKET 14	4	14
14	0JWA-071100	OIL INLET PIPE, OIL COOLER	1	
15	0JYA-023001-00001	HEX FLANGE BOLT M6x6	1	
16	0700-011202	O-SEAL RING	1	8.2x1.90
17	C3H0-073002	CLAMP D25.6	2	
18	0JWA-071400	BRACKET, WATER PIPE	1	

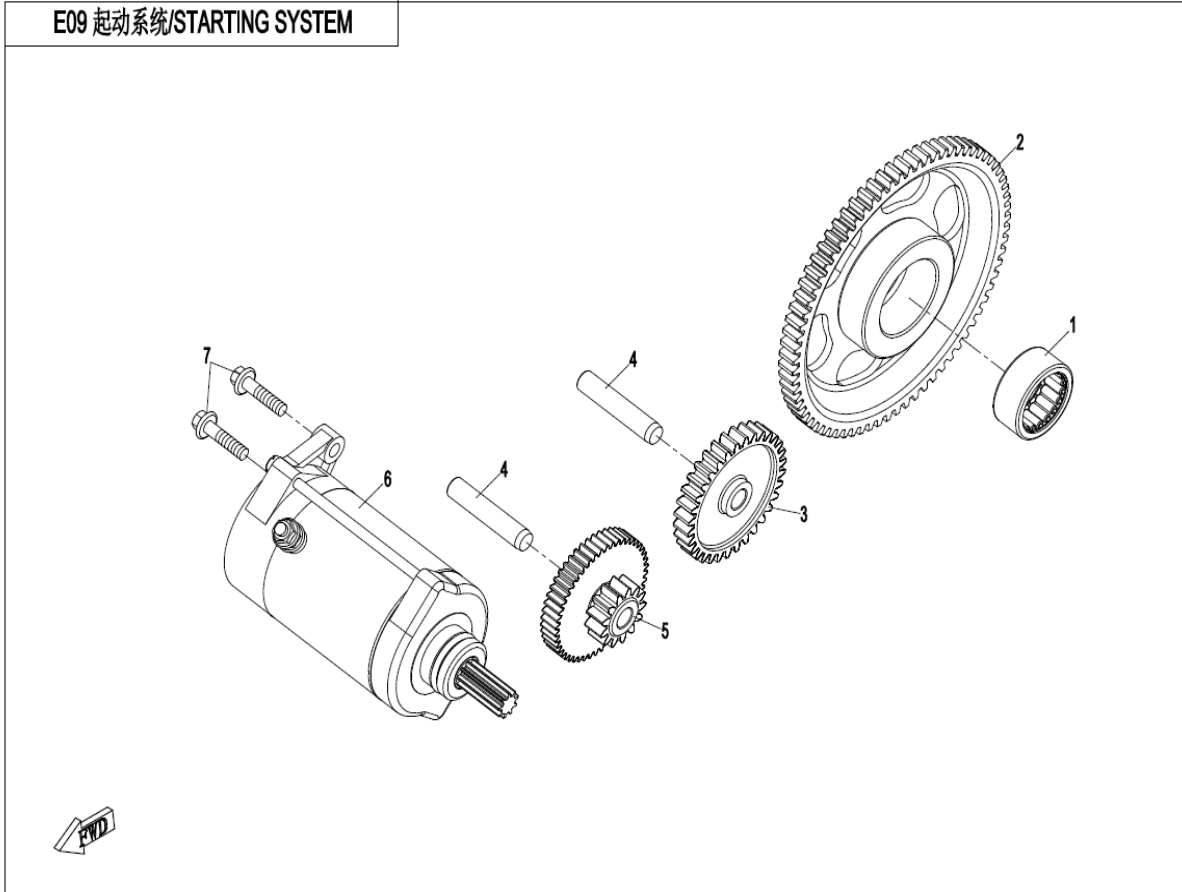
E08 水泵组/WATER PUMP ASSY



E08 WATER PUMP ASSY.

Item No.	Parts Number	Parts Name(EN)	Qty	Specification
01	OJWA-080002	GEAR, WATER PUMP	1	
02	30406-00404	ROLLER NEEDLE	1	
03	0800-011005	WASHER 10	1	10
04	30408-01000	BEARING	1	10
05	0110-080005	OIL SEAL 10x20x5	1	10x20x5
06	OJWA-081000	WATER SEAL ASSY	1	
07	OJWA-080008	WATER PUMP SHAFT	1	
08	OJWA-080005	GASKET, WATER SEAL	1	
09	OJWA-080003	IMPELLER, WATER PUMP	1	
10	OJWA-080007	M6x17	1	M6x17
11	OJWA-080004	SEAL RING, WATER PUMP COVER	1	
12	OJWA-080006-10000	WATER PUMP COVER	1	
13	0010-060012-0010	BOLT M6x30	5	M6x30
14	01A0-013005	O-SEAL RING	1	13x2
15	0010-060009	WASHER 6	1	6
16	OJWA-082000	WATER OUTLET PIPE ASSY., WATER PUMP COVER	1	
17	0010-021019-0010	BOLT M6x12	1	M6x12
18	OJWA-080001	IDLE GEAR, WATER PUMP	1	
19	0800-011202	SHAFT, BREATHER	1	

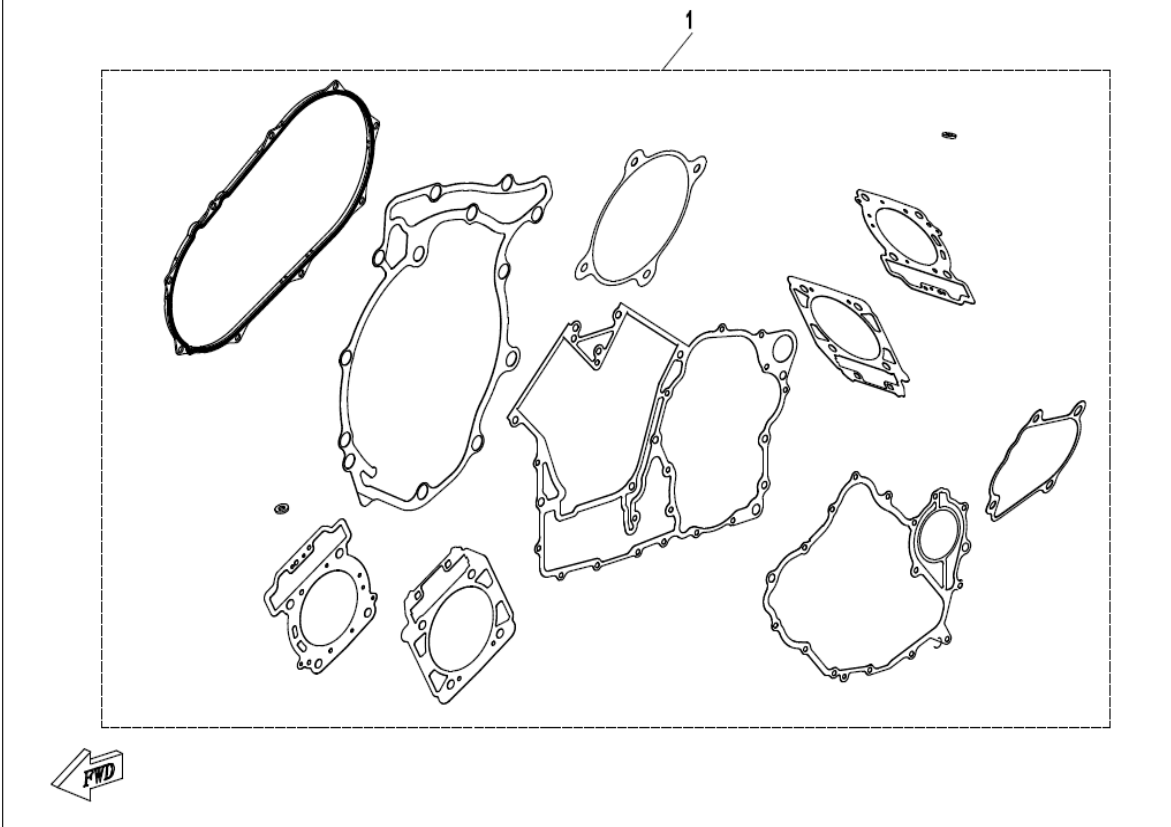
E09 启动系统/STARTING SYSTEM



E09 STARTING SYSTEM

Item No.	Parts Number	Parts Name(EN)	Qty	Specification
01	30401-03000	NEEDLE BEARING	1	30
02	0800-090001-00002	DRIVEN GEAR	1	
03	0800-090002	MIDDLE GEAR	1	
04	0800-011202	SHAFT, BREATHER	2	
05	0800-090003	DUAL GEAR	1	
06	0800-091000	STARTING MOTOR	1	
07	0010-080013-0010	BOLT M6x22	2	M6x22

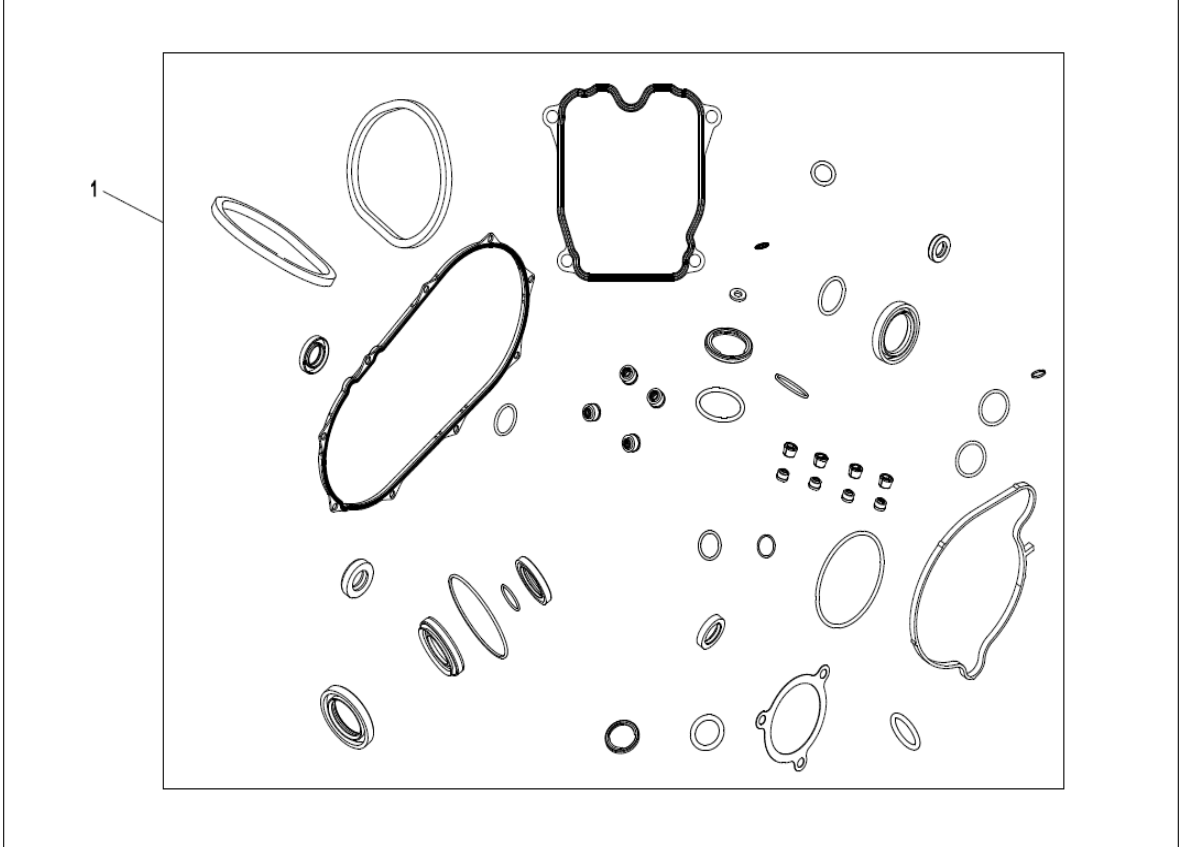
E29 发动机垫片系列 ENGINE GASKET SET



E29 ENGINE GASKET SET

Item No.	Parts Number	Parts Name(EN)	Qty	Specification
01	OJYA-0000A0-00002	ENGINE WASHER KIT	1	

发动机油封及密封圈系列/ENGINE OIL SEAL&O-RING SET



E30 ENGINE OIL SEAL &O-RING

Item No.	Parts Number	Parts Name(EN)	Qty	Specification
01	0JWA-0000A1	ENGINE OIL SEAL AND O-RING	1	