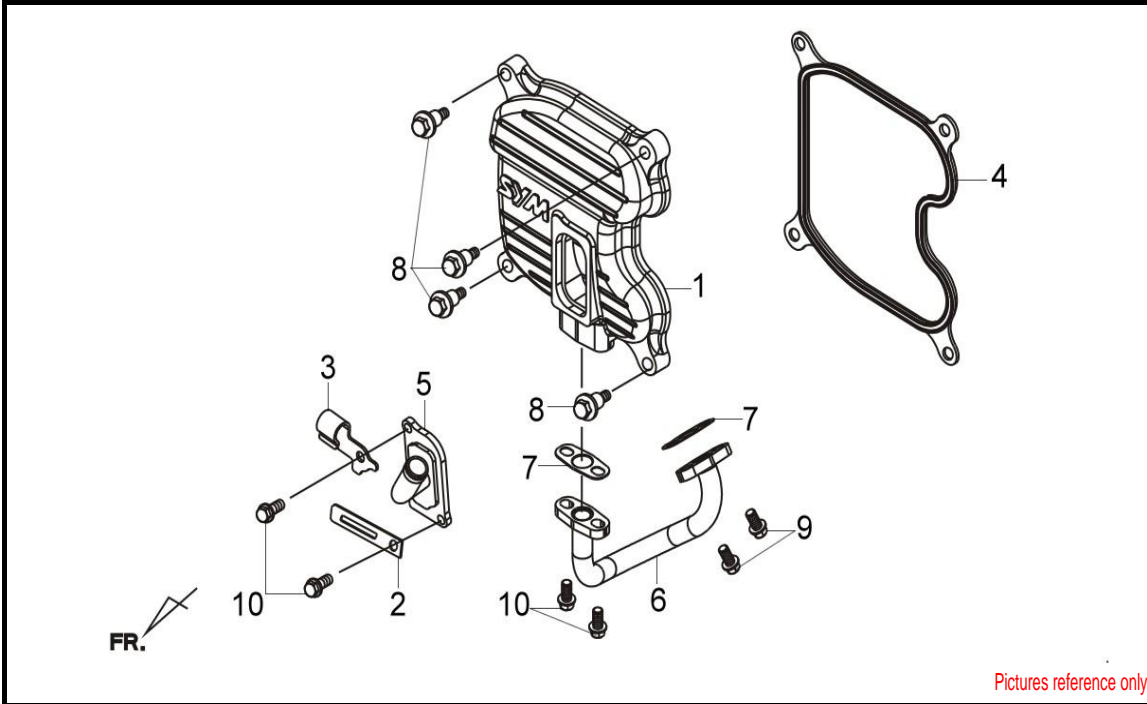


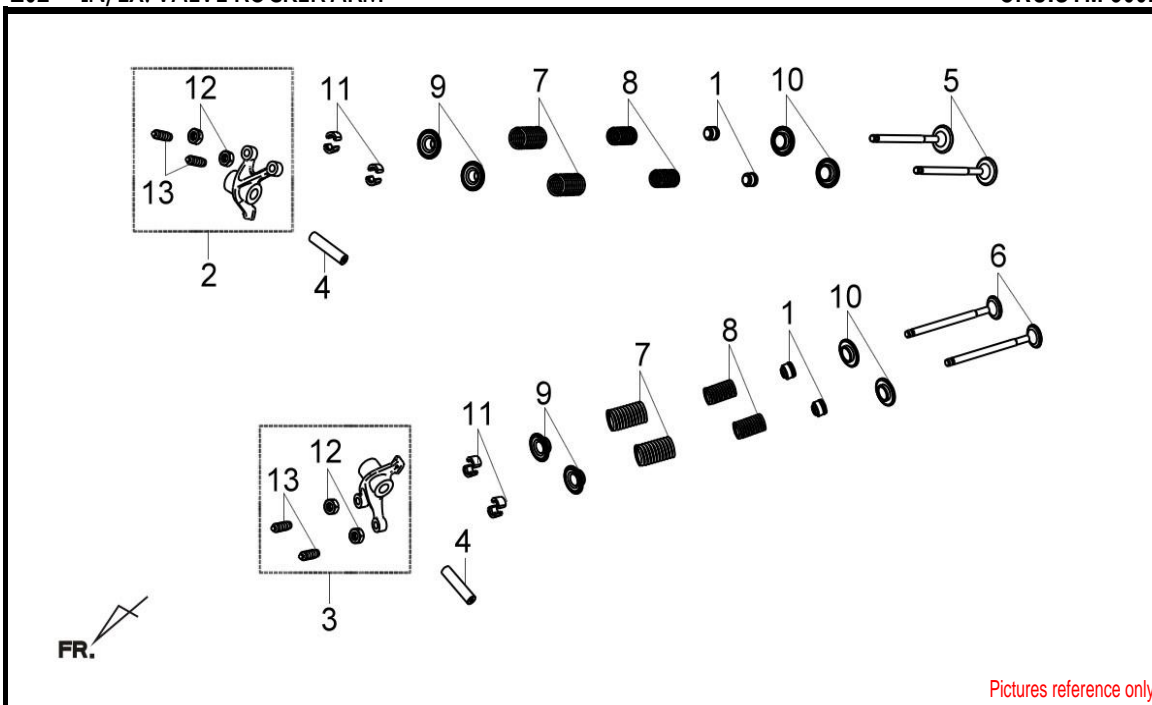
E01 CYLINDER HEAD COVER

CRUISYM 300i



NO	PARTS NUMBER	DESCRIPTION	QTY	EFFECTIVE DATE
1	12301-HMA-000	CYLINDER HEAD COVER	1	
2	12342-X01-000	CLAMP	1	
3	12363-L2E-010	IGNITION COIL CLAMP	1	
4	12391-HMA-000	CYLINDER HEAD COVER GASKE	1	
5	18610-L2E-000	REED VALVE COMP	1	
6	18647-HMA-000	AIR PIPE COMP	1	
7	18654-N14-004	AIR PIPE GASKET	2	
8	90002-HMA-000	CYLINDER HEAD COVER BOLT	4	
9	96001-06014-00	FLANGE BOLT SH 6*14	2	
10	96001-06016-00	FLANGE BOLT SH 6*16	4	

●Please check the color & stripe information according to the color index !

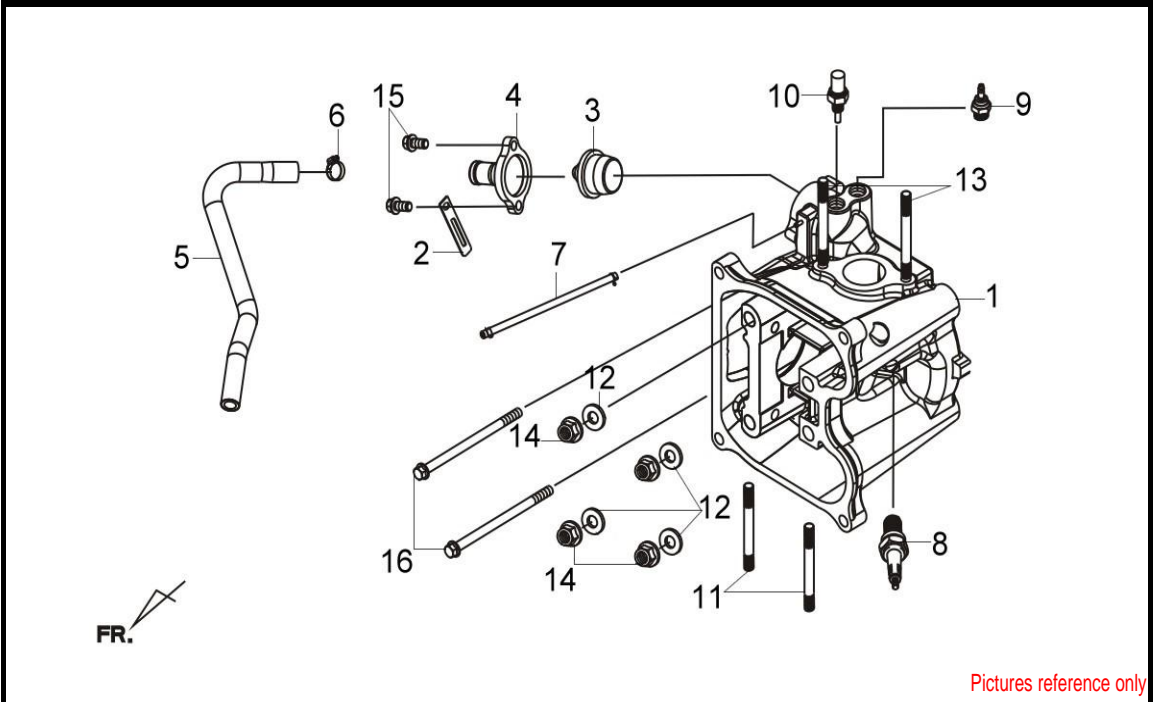


NO	PARTS NUMBER	DESCRIPTION	QTY	EFFECTIVE DATE
1	12209-H6B-900	VALVE STEM SEAL	4	
2	1443A-LEA-000	IN. VALVE ROCKER ARM ASSY	1	
3	1444A-LEA-000	EX. VALVE ROCKER ARM ASSY	1	
4	14451-HMA-000	ROCKER ARM SHAFT	2	
5	14711-HMA-000	INLET VALVE	2	
6	14721-RFS-000	INLET VALVE	2	
7	14751-HMA-000	VALVE OUTER SPG.	4	
8	14761-HMA-000	VALVE INNER SPG.	4	
9	14771-M8Q-000	VALVE SPRING RETAINER	4	
10	14777-KN7-670	VALVE SPRING SEAT	4	
11	14781-M9Q-000-A	VALVE COTTER SET(4PCS/1SET)	2	
12	90012-HLK-000	TAPPET ADJUSTING SCREW	4	
13	90206-HLK-000	TAPPET ADJUSTING NUT	4	

•Please check the color & stripe information according to the color index !

E03 CYLINDER HEAD COMP

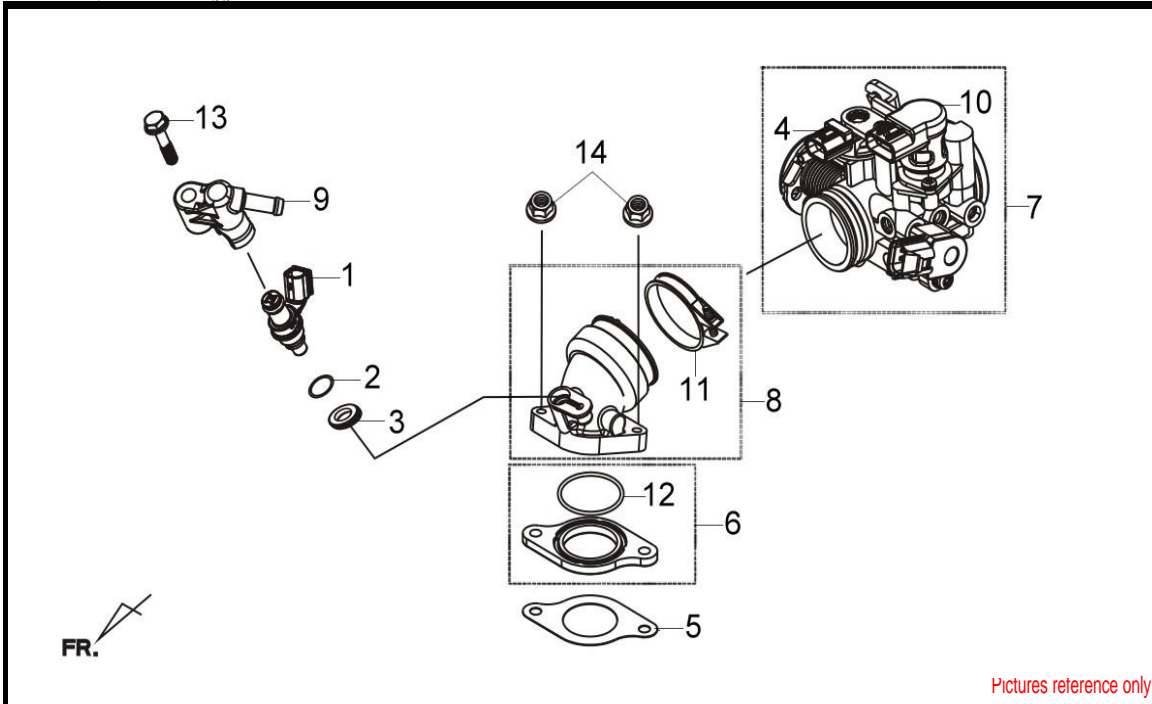
CRUISYM 300i



Pictures reference only

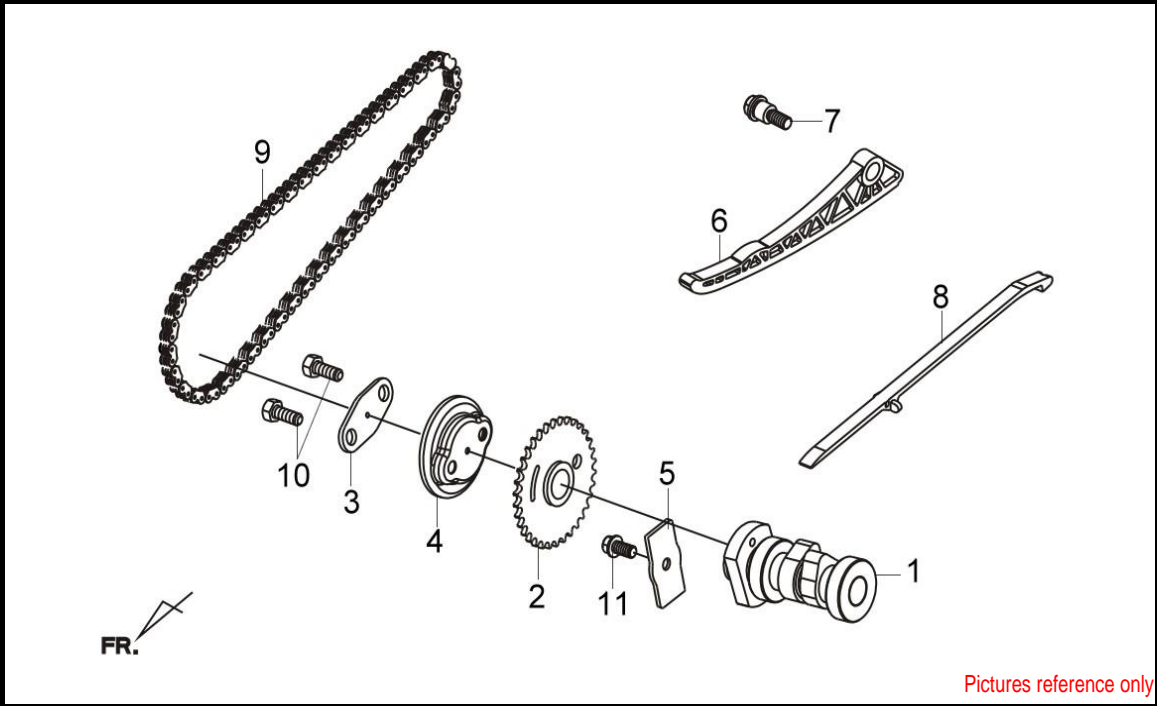
NO	PARTS NUMBER	DESCRIPTION	QTY	EFFECTIVE DATE
1	12200-L3A-010	CYLINDER HEAD COMP	1	
2	12342-X01-000	CLAMP	1	
3	19300-HMA-000	THERMOSTAT ASSY.	1	
4	19315-L3A-010	THERMOSTAT COVER	1	
5	19502-L3A-000	WATER HOSE	1	
6	19505-REA-000	HOSE CLAMP	1	
7	1951A-HMA-010	THERMOSTAT TUBE ASSY	1	
8	1PCR8E	PLUG CR8E	1	
9	37750-PC1-004	THERMO UNIT ASSY	1	
10	37880-HMC-000	TW SENSOR	1	
11	90034-HMA-000	SPECIAL STUD BOLT 8*40	2	
12	90442-HMA-000	SEALING WASHER 10.5mm	4	
13	92900-06028-0B	STUB BOLT 6*28	2	
14	94050-10080	FLANGE NUT 10mm	4	
15	96001-06016-00	FLANGE BOLT SH 6*16	2	
16	96001-06090-00	FLANGE SH BOLT 6*90	2	

•Please check the color & stripe information according to the color index !



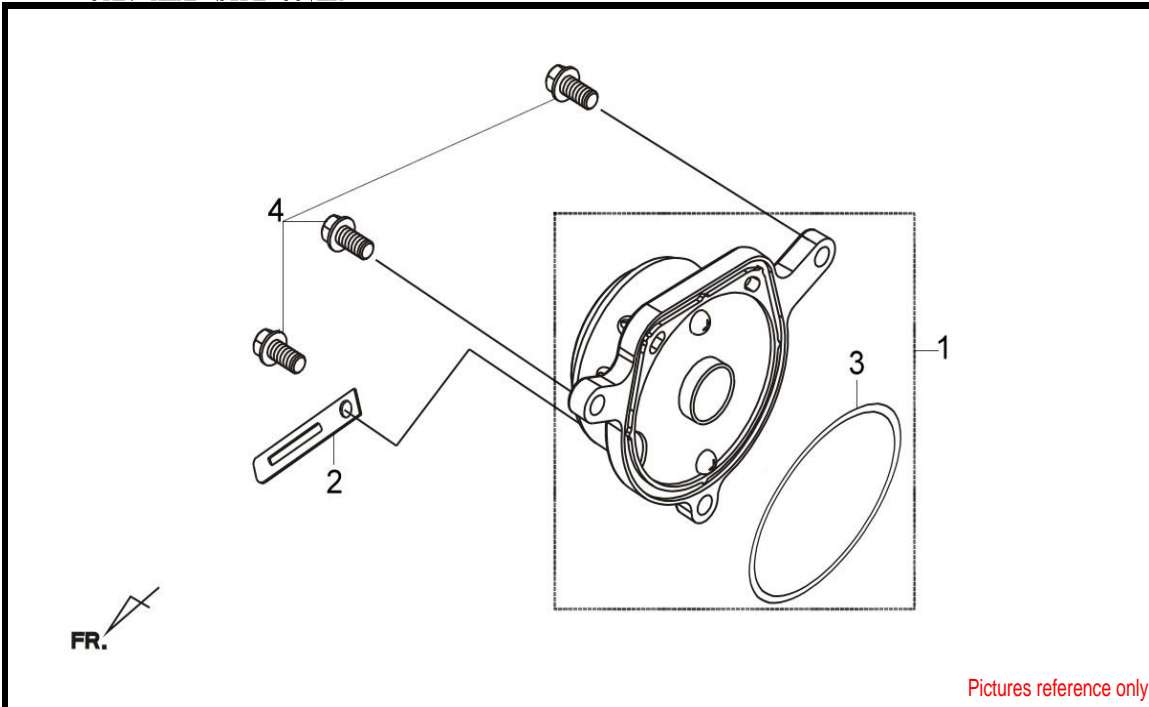
NO	PARTS NUMBER	DESCRIPTION	QTY	EFFECTIVE	
				CTIV	
1	06414-LEF-000	FUEL INJECTOR	1		
2	06415-HNS-000	O-RING	1		
3	06416-HNS-000	SEAL-RING	1		
4	16403-F6K-000	THB.M.A.P.SENSOR SERVICE PARTS	1		
5	16201-HMC-001	CARB. INSULATOR GASKET	1		
6	1621A-HMC-000	CARBURETOR INSULATOR ASSY	1		
7	16401-L3D-000	THROTTLE BODY ASSY	1		
8	1711A-LHF-000	INLET PIPE ASSY.	1		
9	17120-HNS-010	FUEL INJECTOR CUP ASSY	1		
10	3700-A35B-0100	ISC VALVE	1		
11	90653-HMA-000	INLET PIPE BAND 48	1		
12	91308-HMA-000	O-RING 34*2.0	1		
13	92101-06016-0H	HEX BOLT 6*16	1		
14	94050-06000	FLANGE NUT 6mm	2		

•Please check the color & stripe information according to the color index !



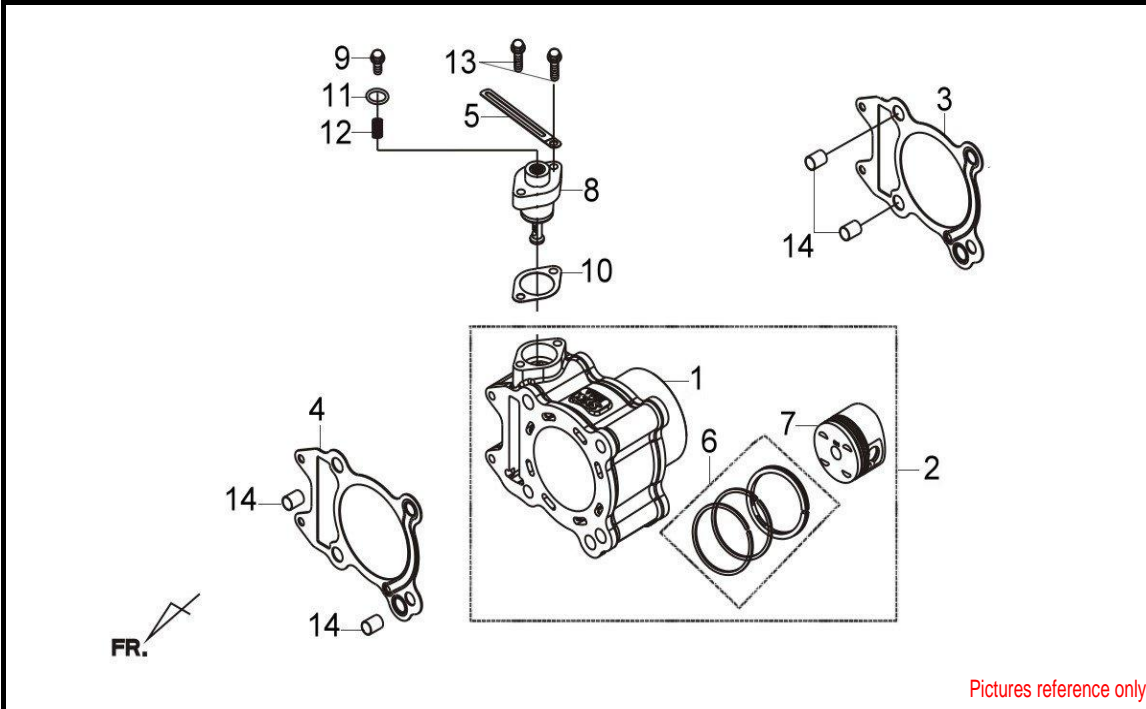
NO	PARTS NUMBER	DESCRIPTION	QTY	EFFECTIVE DATE	
1	14100-RFB-000	CAM SHAFT COMP	1		
2	14105-RFA-000	CAM SPROCKET	1		
3	14105-X01-000	CAM SPROCKET WASHER	1		
4	14108-M36-000	CENTRIFUGAL DISK	1		
5	14457-HMA-000	CAM SHAFT SETTING PLATE1.	1		
6	14510-RFA-000	CAM CHAIN TENSIONER	1		
7	14531-KJ9-000	CAM CHAIN TENSIONERPIVOT	1		
8	14610-BCE-000	CAM CHAIN GUIDE	1		
9	1C14401-RFA-000	CAM CHAIN 92RH2010-100L	1		
10	92101-06016-0H	HEX BOLT 6*16	2		
11	96001-06014-00	FLANGE BOLT SH 6*14	1		

●Please check the color & stripe information according to the color index !



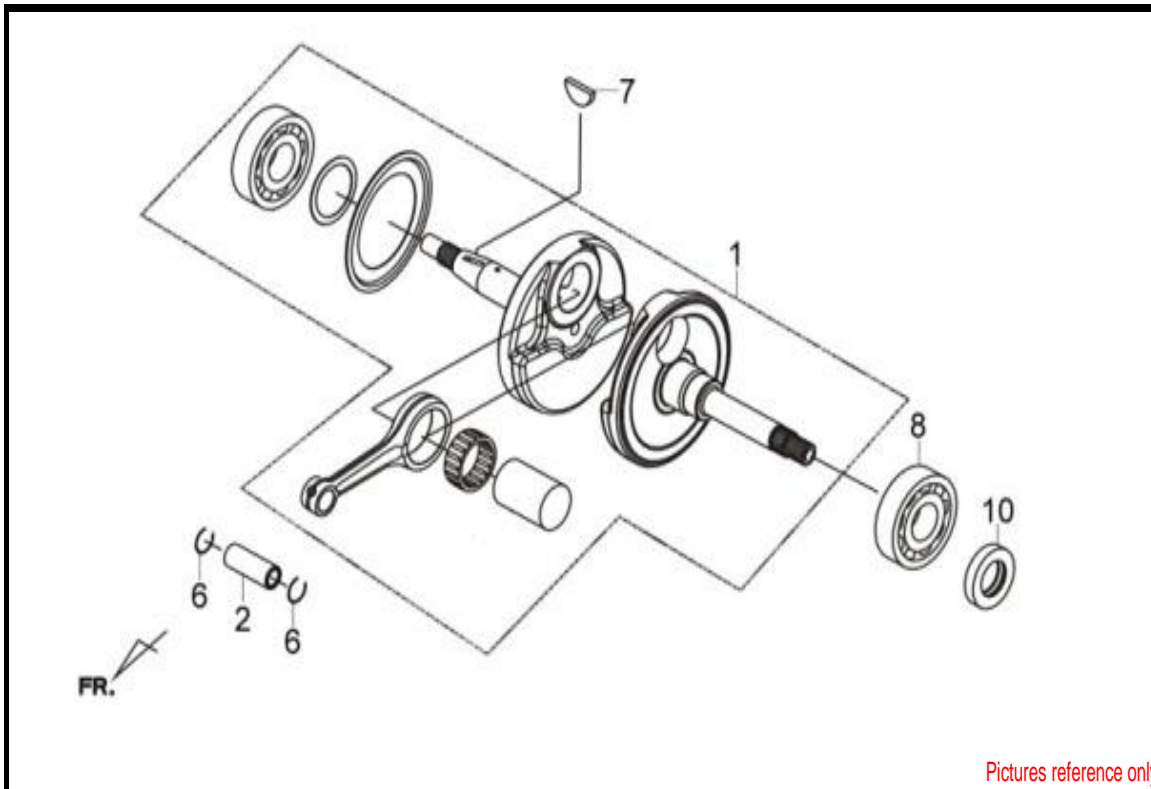
NO	PARTS NUMBER	DESCRIPTION	QTY	EFFECTIVE DATE
1	1231A-L3A-000	CYL. HEAD SIDE COVER ASS	1	
2	12342-X01-000	CLAMP	1	
3	91301-HMA-000	HEAD SIDE COVER O-RING	1	
4	96001-06018-00	FLANGE BOLT SH 6*18	3	

•Please check the color & stripe information according to the color index !



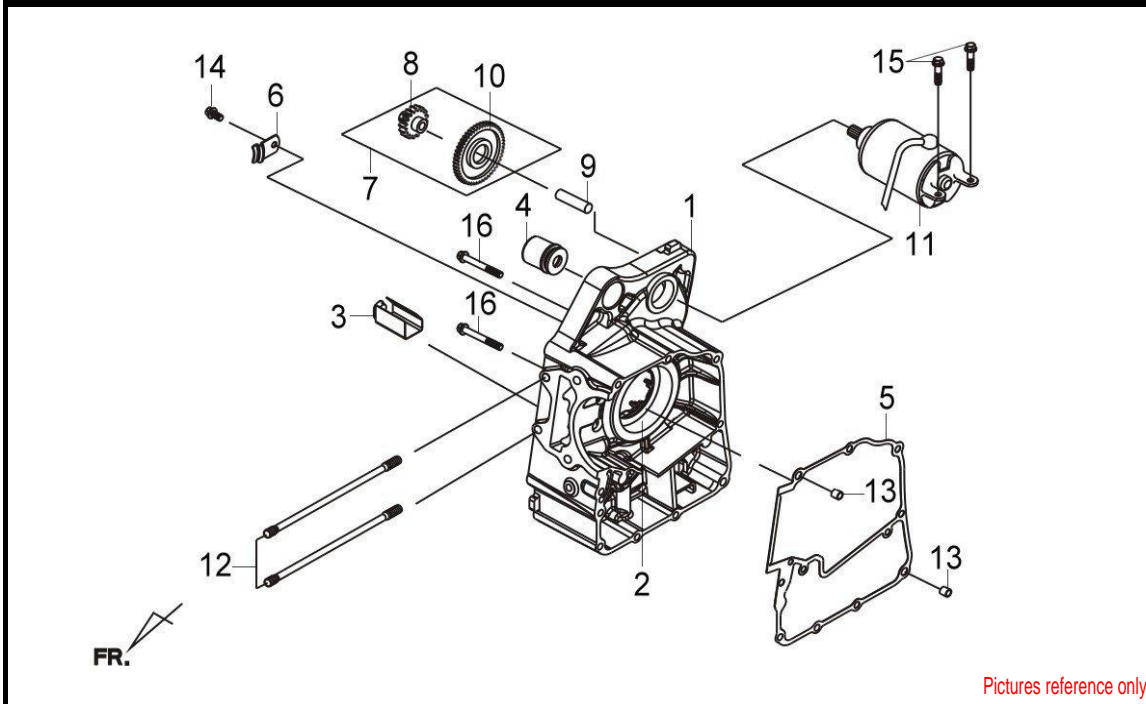
NO	PARTS NUMBER	DESCRIPTION	QTY	EFFECTIVE DATE	
1	12100-RFA-000	CYLINDER COMP	1		
2	12100-L3A-000-A	CYLINDER SET	1		
3	12191-RFA-001	CYLINDER GASKET	1		
4	12251-RFA-000	CYLINDER HEAD GASKET	1		
5	12342-G02-000	CLAMP	1		
6	13010-L3A-000	PISTON RING SET	1		
7	13101-L3A-000	PISTON	1		
8	14520-H6T-000	TENSIONER LIFTER	1		
9	14522-H6T-000	TENSIONER ADJUSTER BOLT	1		
10	14523-M9Q-002	調整器墊片(環保材)	1		
11	14524-H6T-000	O型油環	1		
12	14525-H6T-000	ADJUSTER SPRING	1		
13	90001-RFS-000	FLANGE SHF BOLT 6*22	2		
14	94301-12200	DOWEL PIN 12*20	4		

●Please check the color & stripe information according to the color index !



NO	PARTS NUMBER	DESCRIPTION	QTY	EFFECTIVE DATE
1	13000-L3A-000	CRANK SHAFT COMP	1	
2	13111-HMA-000	PISTON PIN 11*17*50 M2	1	
6	90601-HMA-000	PISTON PIN CLIP 17mm	2	
7	90701-HB6-010	WOODRUFF KEY 25*14*4	1	
8	91001-HMA-000	RADIAL BALL BRG. TMB306	1	
10	91201-HMA-300	OIL SEAL TC27*42*7	1	

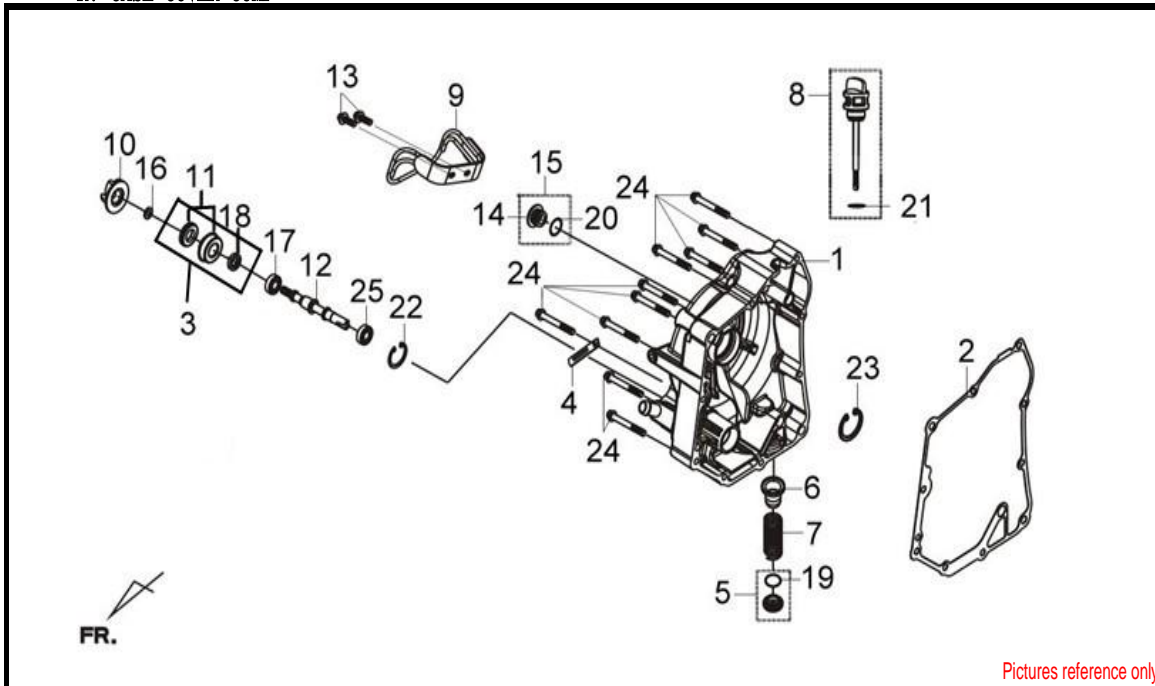
•Please check the color & stripe information according to the color index !



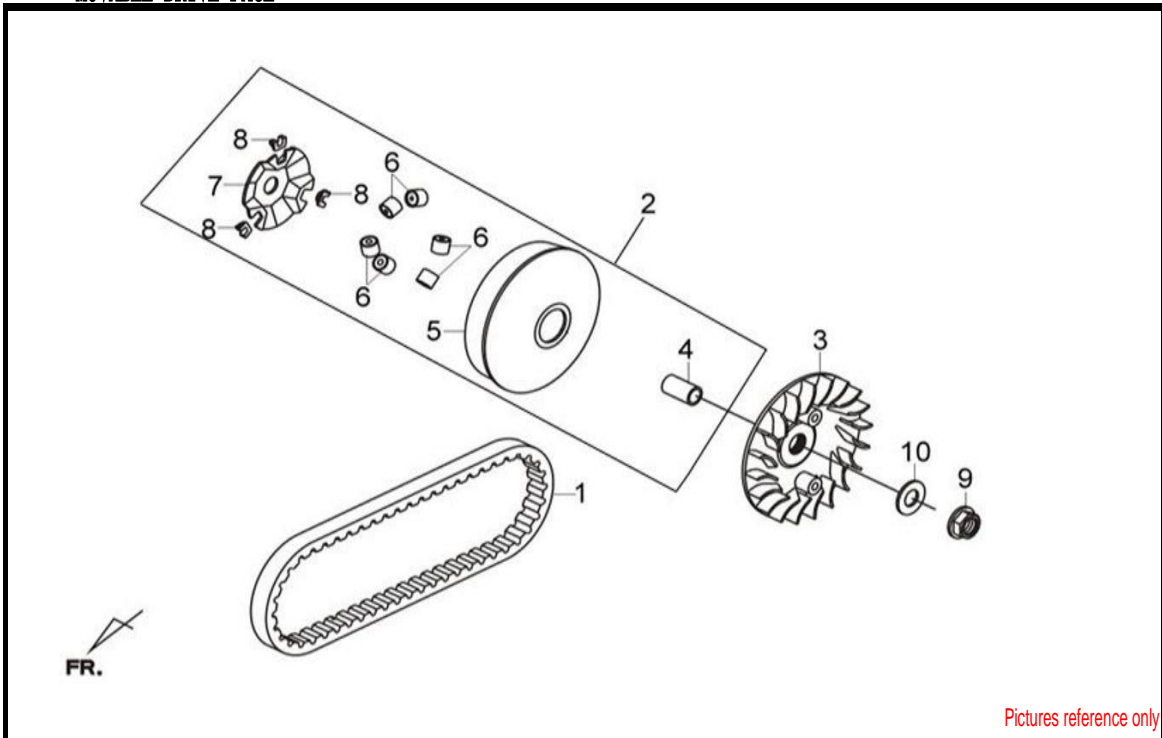
Pictures reference only

NO	PARTS NUMBER	DESCRIPTION	QTY	EFFECTIVE DATE
1	11100-L3A-000	R. CRANK CASE COMP	1	
2	11102-HMA-300	CRANK CASE BUSH 72mm	1	
3	11107-HMA-000	MAGNET PLATE	1	
4	11120-LEA-000	ENGINE HANGER BUSH ASSY	1	
5	11191-L3A-000	CRANK CASE GASKET	1	
6	14151-RFA-000	CAM CHAIN SETTING PLATE	1	
7	28100-HMA-000	STARTER REDUCTION GEAR COMP	1	
8	28101-RB1-000	STAR. REDUCTION GEAR COMP	1	
9	28102-RB1-000	STA. REDUCTION GEAR SHAFT	1	
10	28105-HMA-300	STARTER REDUCTION GEAR B	1	
11	31200-L3D-000	START MOTOR ASSY.	1	
12	90031-HMA-000	CYLINDER STUD BOLT A	2	
13	94301-08140	DOWEL PIN 8*14	2	
14	96001-06012-08	FLANGE BOLT SH 6*12	1	
15	96001-06022-00	FLANGE BOLT SH 6*22	2	
16	96001-06055-00	BOLT FLANGE SH 6*55	2	

●Please check the color & stripe information according to the color index!



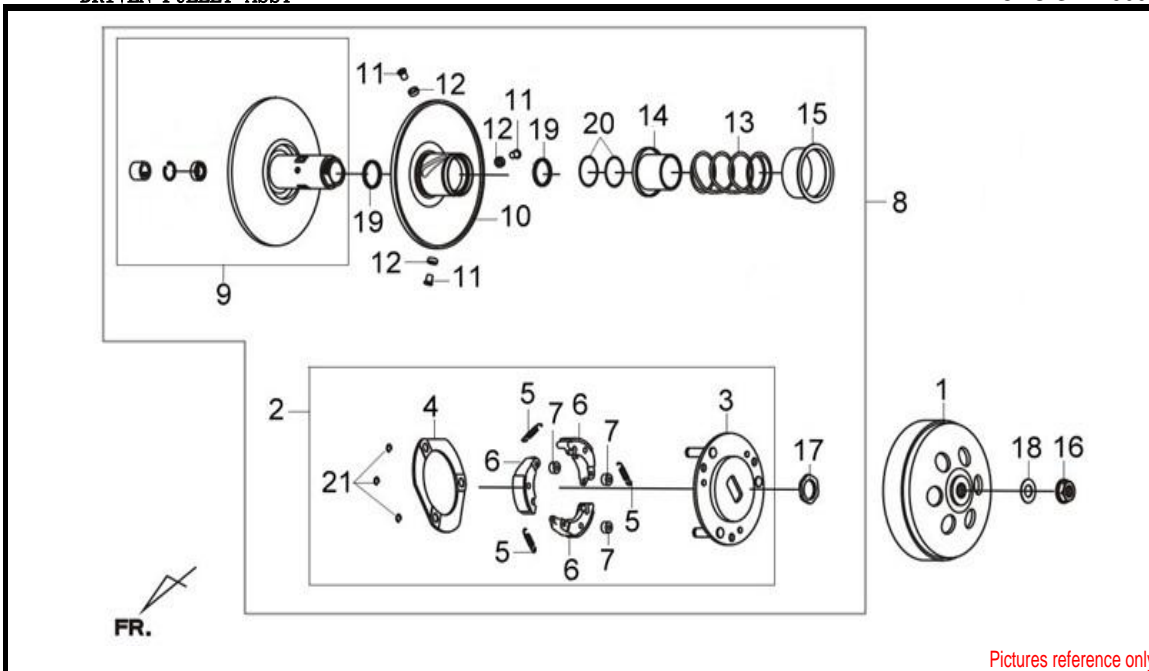
NO	PARTS NUMBER	DESCRIPTION	QTY	EFFECTIVE DATE
1	11330-L3A-000	R. CASE COVER COMP	1	
2	11394-HMA-002	R COVER GASKET	1	
3	19217-H9A-300-A	MECHANICAL SEAL SET	1	
4	12342-X01-000	CLAMP	1	
5	1236A-V02-000	TAPPET ADJ HOLE CAP ASSY.	1	
6	15421-B9D-000	OIL FILTER SCREEN	1	
7	15426-M9Q-000	OIL FILTER SCREW SPG.	1	
8	1565A-LEA-000	OIL LEVEL GAUGE ASSY	1	
9	18241-L3A-000	EXH. PIPE PROTECTOR	1	
10	19215-HLA-000	WATER PUMP IMPELLER	1	
11	19217-H9A-300	MECHANICAL SEAL	1	
12	19231-HMA-000	WATER PUMP SHAFT	1	
13	90003-L3A-000	WASHER BOLT 6*20	2	
14	90084-H9A-000	A. C. GEN. CAP 14mm	1	
15	9008A-H9A-000	A.C.G. CAP ASSY 14mm	1	
16	90423-KJ9-000	WASHER 7.2*13*1.2	1	
17	91001-KJ9-005	RADIAL BALL BRG.6901	1	
18	91205-KF0-003	OIL SEAL 12*20*5	1	
19	91302-M9Q-000	O-RING 30.8mm	1	
20	91303-377-000	O-RING 13.8X2.5	1	
21	91307-M9Q-000	O RING 18X3	1	
22	94520-26000	CIRCLIP IN 26mm	1	
23	94520-32000	IN CIRCLIP 32mm	1	
24	96001-06045-00	FLANGE BOLT SH 6*45	10	
25	96100-60000-00	RADIAL BALL BRG. 6000CM	1	



Pictures reference only

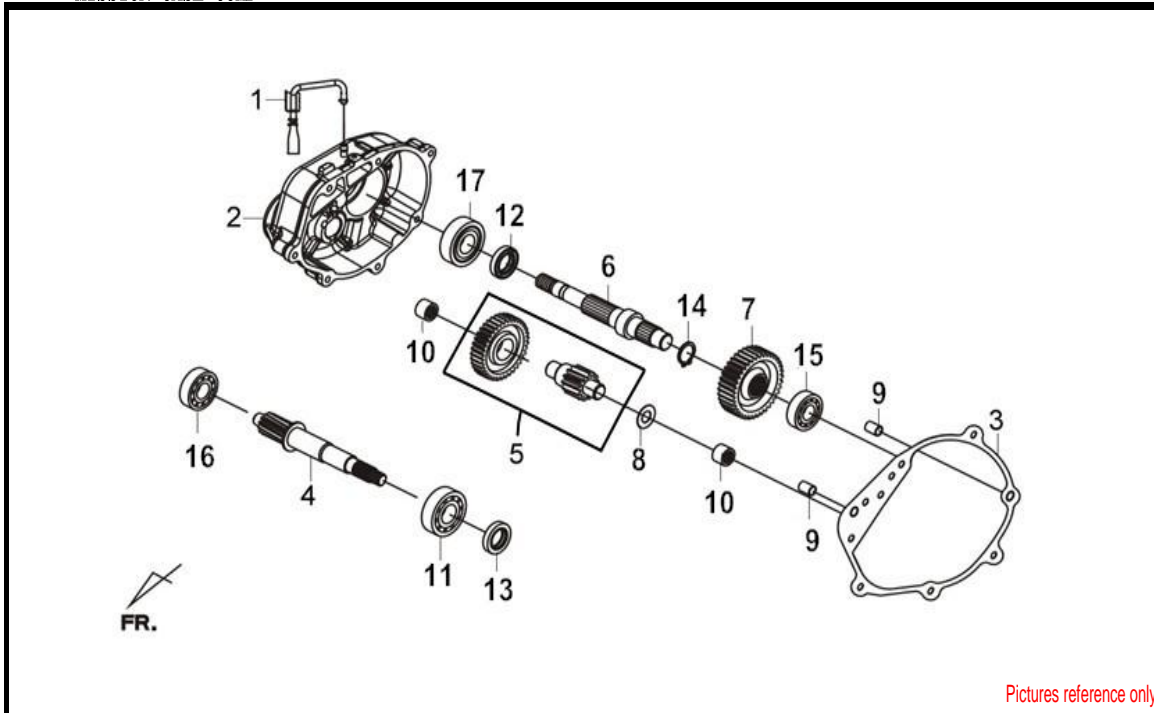
NO	PARTS NUMBER	DESCRIPTION	QTY	EFFECTIVE DATE
1	1B01L3A01	DRIVE BELT 902*23.4*28	1	
2	22000-RB1-000	MOVABLE DRIVE FACE ASSY.	1	
3	22102-HMA-000	DRIVE FACE	1	
4	22105-HMA-000	DRIVE FACE BOSS	1	
5	22110-HMA-000	MOVABLE DRIVE FACE COMP	1	
6	22121-RB1-001-A	WEIGHT ROLLER COMP	1	
7	22131-HMA-000	RAMP PLATE	1	
8	22132-HMA-000-A	SLIDE PIECE SET(3PCS/1SET)	1	
9	90201-KR8-751-M1	FLANGE NUT 14mm	1	
10	90401-KJ9-000	THRUST WASHER 14*28*2	1	

•Please check the color & stripe information according to the color index !



NO	PARTS NUMBER	DESCRIPTION	QTY	EFFECTIVE DATE
1	22101-L2C-000	CLUTCH OUTER	1	
2	22300-L3D-000	DRIVE PLATE ASSY	1	
3	22350-HMA-000	DRIVE PLATE COMP	1	
4	22361-HMA-000	CLUTCH SIDE PLATE	1	
5	22401-HMA-000	CLUTCH SPRING	3	
6	22530-L3D-000-A	CLUTCH WEIGHT(3PCS/SET)	1	
7	22804-HMA-000	CLUTCH DAMPER RUBBER	3	
8	23010-L3D-000	DRIVEN PULLEY ASSY	1	
9	23200-L3A-000	DRIVEN FACE ASSY.	1	
10	23220-HMA-000	MOVABLE DRIVEN FACE COMP.	1	
11	23225-HMA-000	ROLLER GUIDE PIN	4	
12	23226-HMA-000	GUIDE ROLLER	4	
13	23233-HMA-000	DRIVEN FACE SPRING	1	
14	23237-L4A-000	SEAL COLLAR	1	
15	23238-L3A-000	SPRING COLLAR	1	
16	90201-KR8-751-M1	FLANGE NUT 14mm	1	
17	90202-HMA-000	SPECIAL NUT	1	
18	90401-KJ9-000	THRUST WASHER 14*28*2	1	
19	91211-HMA-000	OIL SEAL	2	
20	91305-HMA-000	O-RING 47*2.0	2	
21	94540-08010	E-RING	3	

•Please check the color & stripe information according to the color index!

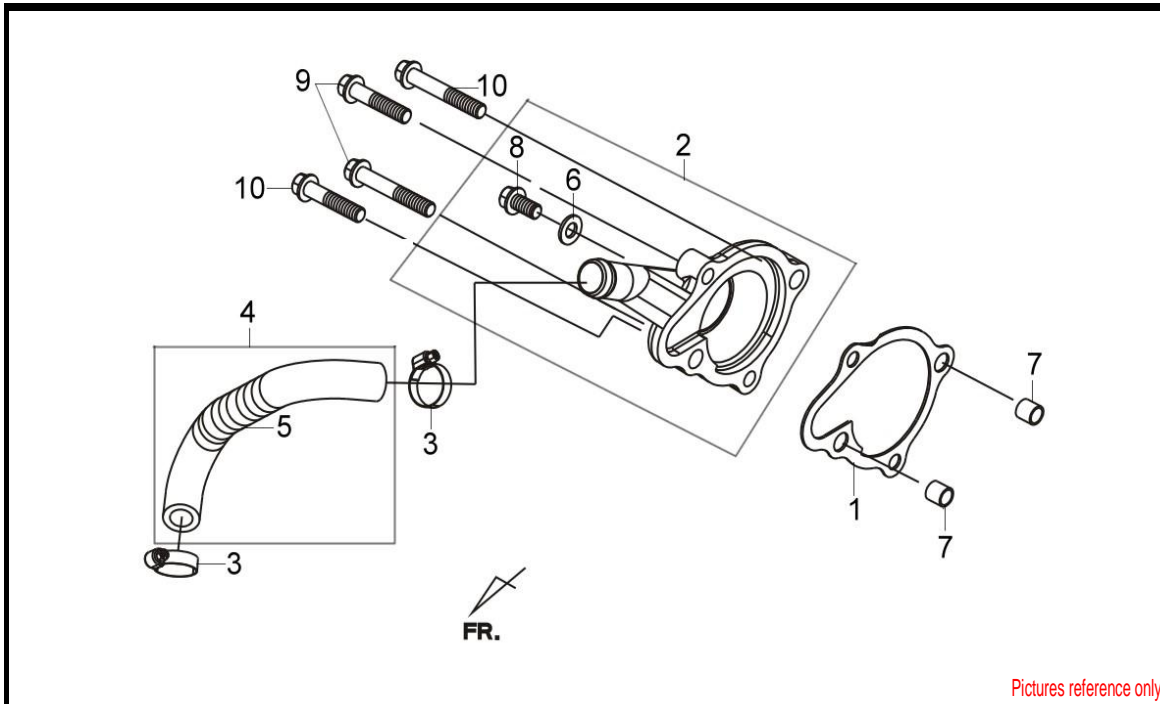


NO	PARTS NUMBER	DESCRIPTION	QTY	EFFECTIVE DATE
1	1122A-HMA-000	MISSION BREATHER TUBE ASSY	1	
2	21200-L3A-000	MISSION CASE COMP	1	
3	21395-L3A-000	MISSION CASE GASKET	1	
4	23411-LEA-000	DRIVE SHAFT	1	
5	23420-L3A-000	COUNTER SHAFT COMP	1	
6	23431-L3A-000	FINAL SHAFT	1	
7	23432-L3A-000	FINAL GEAR	1	
8	90401-HMA-000	THRUST WASHER 15mm	1	
9	90703-M8Q-000	DOWEL PIN 10*14	2	
10	91002-HWA-000-M1	NEEDLE BRG.NK15*23*16	2	
11	91009-HMC-000	BALL RADIAL BRG.CSB205 JR2C3	1	
12	91203-HMA-000	OIL SEAL	1	
13	91204-HMA-000	OIL SEAL 25*40*7	1	
14	94510-25000	EX. CIR CLIP 25mm	1	
15	96100-62050-10	RADIAL BALL BRG. 6205	1	
16	96100-63020-00	RAD.BALL.BRG.6302	1	
17	96150-62050-10	RADIAL BALL BRG. 6205LLU	1	

•Please check the color & stripe information according to the color index !

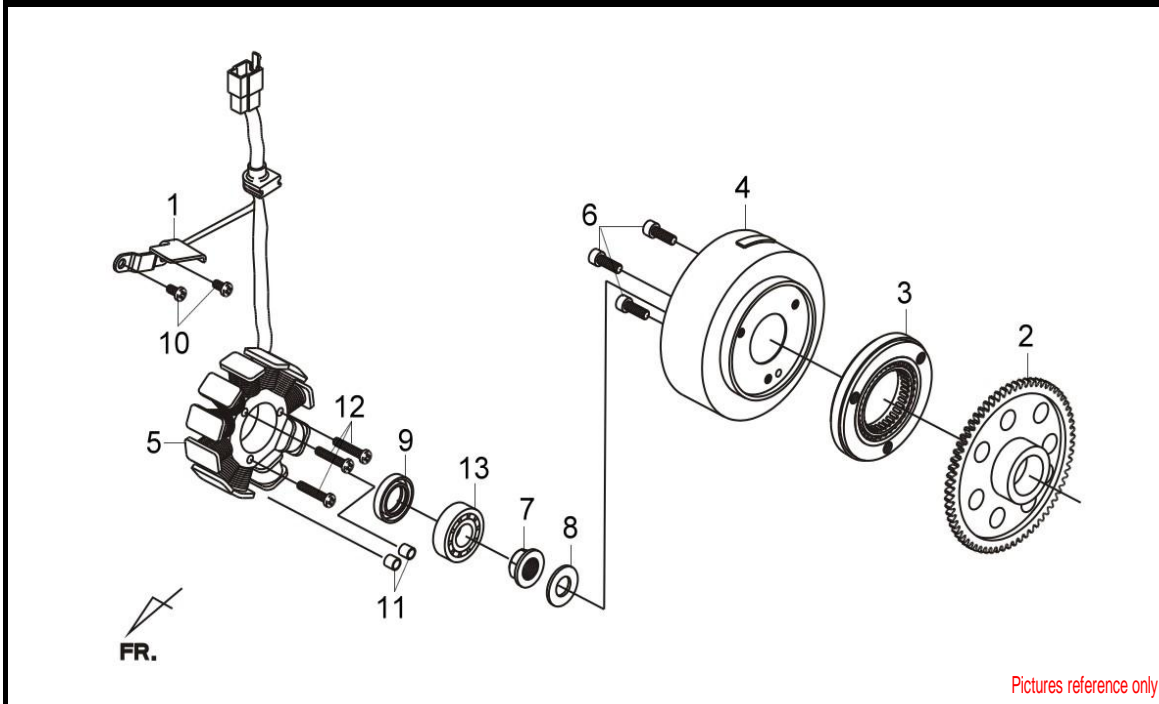
E14 WATER PUMP COVER

CRUISYM 300i



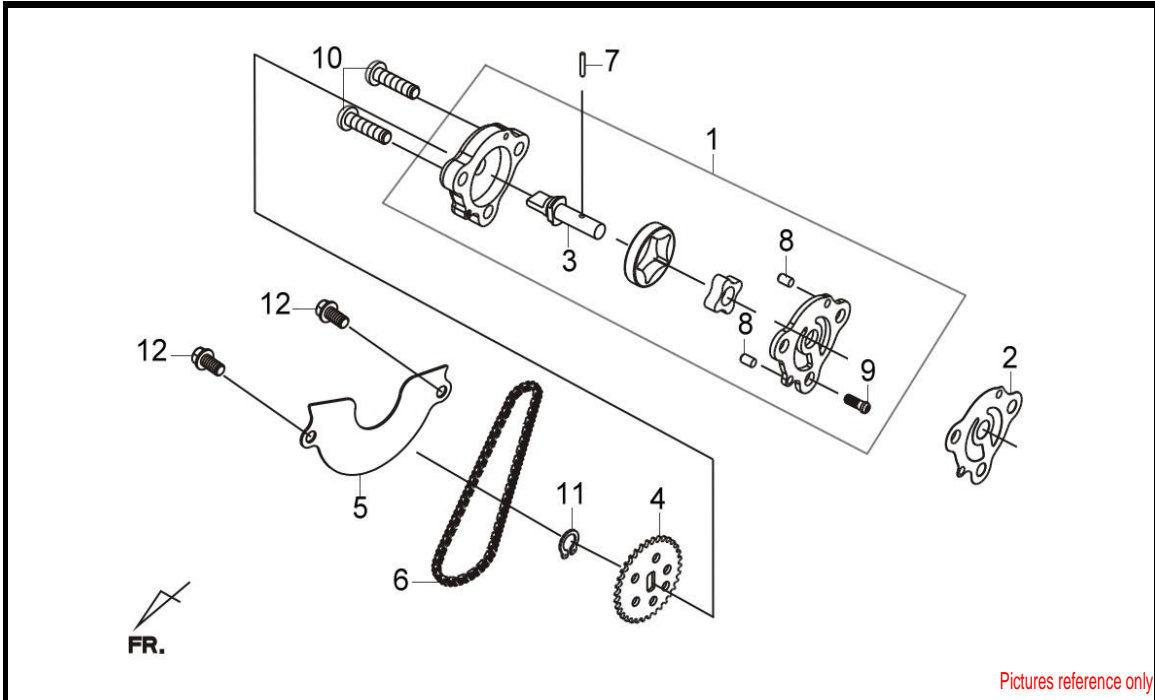
NO	PARTS NUMBER	DESCRIPTION	QTY	EFFECTIVE DATE
1	19229-H9A-002	WATER PUMP GASKET	1	
2	1922A-LEA-000	WATER PUMP COVER ASSY.	1	
3	19505-KS6-700	WATER HOSE CLAMP A	2	
4	1950A-LEA-000	WATER HOSE ASSY	1	
5	19604-H01-000	LH. WATER HOSE GUARD WIRE	1	
6	90478-700-000	WASHER A. 6mm	1	
7	94301-08140	DOWEL PIN 8*14	2	
8	96001-06010-00	SH FLANGE BOLT 6*10	1	
9	96001-06022-00	FLANGE BOLT SH 6*22	2	
10	96001-06032-00	FLANGE BOLT SH 6*32	2	

•Please check the color & stripe information according to the color index !



NO	PARTS NUMBER	DESCRIPTION	QTY	EFFECTIVE DATE
1	15713-HMC-010	OIL BAFFLE PLATE	1	
2	28110-HMA-000	STARTING CLUTCH GEAR COMP	1	
3	2812A-HMA-000	ONE WAY CLUTCH ASSY	1	
4	31110-L3A-000	FLYWHEEL COMP	1	
5	31120-L3A-000	STATOR COMP	1	
6	90157-F3G-000	SOCKET BOLT 8*20	3	
7	90201-KR8-751-M1	FLANGE NUT 14mm	1	
8	90401-KJ9-000	THRUST WASHER 14*28*2	1	
9	91202-HMA-000	OIL SEAL TC12*22*5	1	
10	93500-05016-0A	PAN SCREW 5*16	2	
11	94301-08140	DOWEL PIN 8*14	2	
12	96001-06030-00	FLANGE BOLT SH 6*30	3	
13	96140-62013-10	RADIAL BALL BRG. 6201LUC3	1	

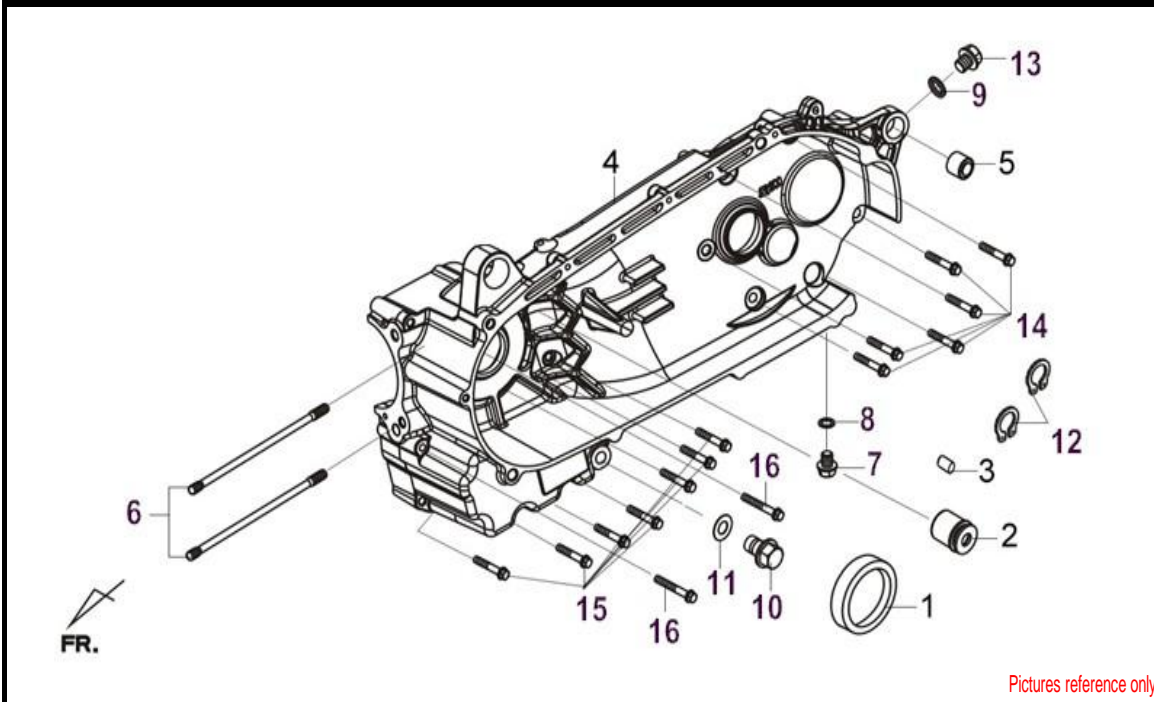
•Please check the color & stripe information according to the color index !



Pictures reference only

NO	PARTS NUMBER	DESCRIPTION	QTY	EFFECTIVE DATE
1	15100-HMA-000	OIL PUMP ASSY.	1	
2	15126-B8A-000	OIL PUMP GASKET	1	
3	15132-HMA-000	OIL PUMP SHAFT	1	
4	15133-HMA-000	OIL PUMP DRIVEN SPROCKET	1	
5	15711-HML-000	OIL SEPARATER	1	
6	1C15141-HMA-000	OIL PUMP CHAIN 92RH2005-48	1	
7	91101-HMA-000	ROLLER 2.5*11.8	1	
8	91103-A3F-000	ROLLER 3*9.8	2	
9	93500-03008-1A	PAN SCREW 3*8	1	
10	93500-06025-0H	PAN SCREW 6*25	2	
11	94510-10000	CIR CLIP 10mm	1	
12	96001-06012-08	FLANGE BOLT SH 6*12	2	

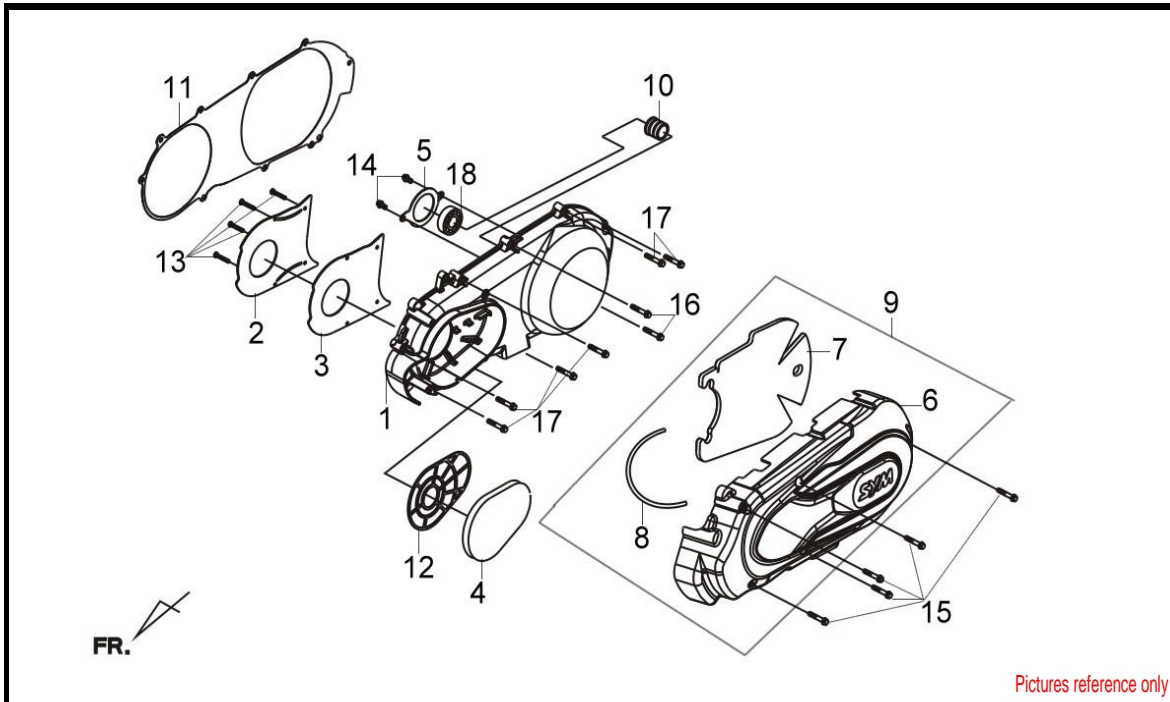
•Please check the color & stripe information according to the color index !



Pictures reference only

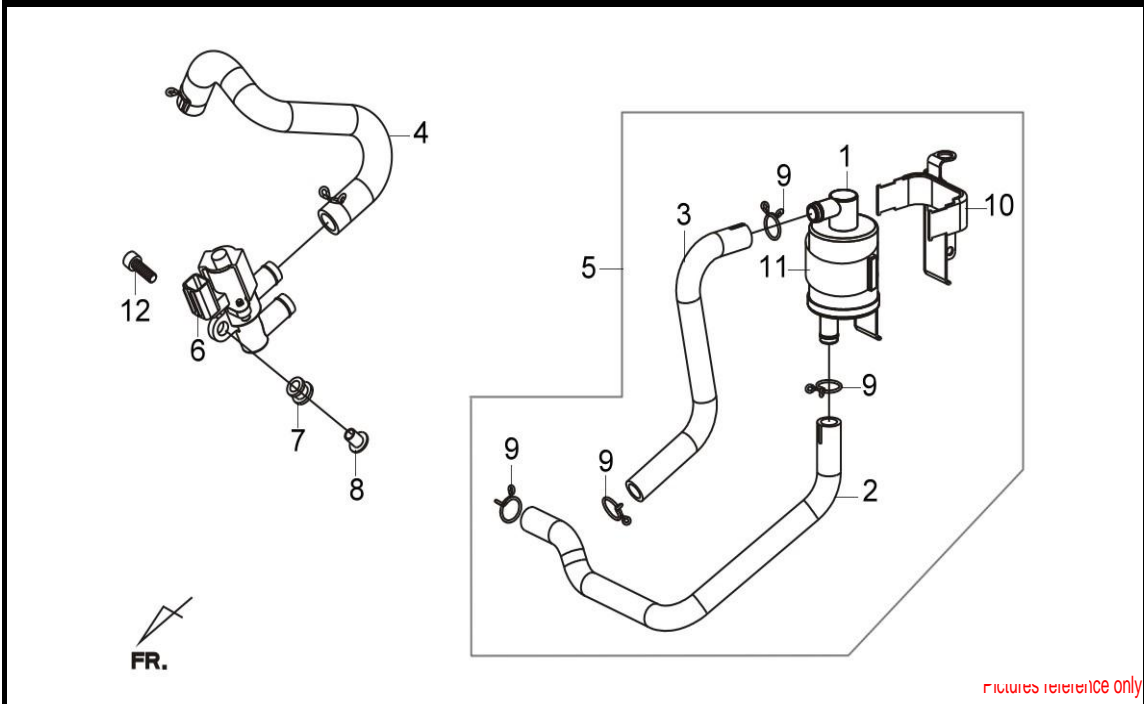
NO	PARTS NUMBER	DESCRIPTION	QTY	EFFECTIVE DATE
1	11102-HMA-300	CRANK CASE BUSH 72mm	1	
2	11120-LEA-000	ENGINE HANGER BUSH ASSY	1	
3	11133-A1A-300	OIL ORIFICE 6*5	1	
4	11200-L3A-000	L CRANK CASE COMP	1	
5	11203-M9Q-300	RR CUSH UND BUSH RUBBER	1	
6	90032-HMA-000	CYLINDER STUD BOLT B	2	
7	90103-M9Q-000	SPECIAL BOLT 8mm	1	
8	90474-M9Q-000	WASHER 8mm	1	
9	90481-M9Q-100	WASHER 8mm	1	
10	92800-12000	DRAIN PLUG BOLT 12mm	1	
11	94109-12000	DRAIN PLUG WASHER 12mm	1	
12	94510-20000	EX. CIR CLIP 20mm	2	
13	95701-10012-08	緣面螺栓(五彩)10*12	1	
14	95801-08050-08	FLANGE BOLT 8*50	6	
15	96001-06050-00	FLANGE BOLT SH 6*50	7	
16	96001-06070-00	FLANGE SH BOLT 6*70	2	

•Please check the color & stripe information according to the color index !



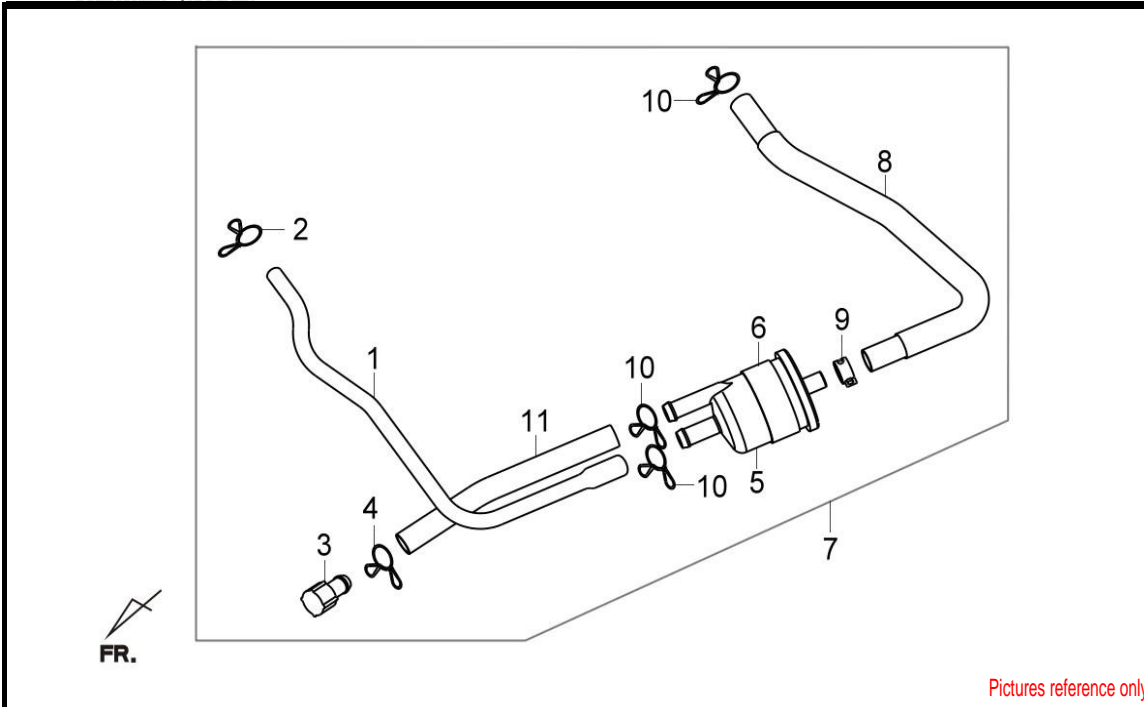
NO	PARTS NUMBER	DESCRIPTION	QTY	EFFECTIVE DATE
1	11341-L3A-000	L CRANK CASE COVER	1	
2	11342-HMA-000	L COVER PLATE	1	
3	11343-HMA-001	L COVER PLATE GASKET	1	
4	11344-HMA-000	L. SIDE CVOER ELEMENT	1	
5	11346-HMA-000	L BEARING SETTING PLATE	1	
6	11351-L3A-008-GYK	L OUTER COVER (GY-7450U/BK-001U)	1	
7	11352-HMA-000	L. OUTER COVER SPONGE	1	
8	11353-HMA-000	L OUTER COVER SEAL	1	
9	1135A-L3A-001-GYK	L OUTER COVER ASSY. (GY-7450U/BK-001U)	1	
10	1137A-HMA-000	BEARING STAY COLLAR ASSY	1	
11	11395-L3A-000	L. CRANK CASE COVER GASKET	1	
12	17221-LEA-000	TRAP COMP	1	
13	93500-05012-0H	PAN SCREW 5X12	5	
14	96001-06012-00	FLANGE BOLT SH 6*12	2	
15	96001-06018-07	SH. FLANGE BOLT 6*18	5	
16	96001-06030-00	FLANGE BOLT SH 6*30	2	
17	96001-06035-00	FLANGE SH BOLT 6*35	6	
18	96150-60060-10	FLANGE SH BOLT 6*35	1	

•Please check the color & stripe information according to the color index !



NO	PARTS NUMBER	DESCRIPTION	QTY	EFFECTIVE DATE
1	17570-HMC-000	A.I.A.C. COMP	1	
2	17571-L3A-000	A.I.A.C. TUBE A	1	
3	17574-L2A-000	A.I.C.V. TUBE B	1	
4	17576-L2A-010	A.I.S.V.-REED VALVE JOINT TUBE	1	
5	1757A-L3A-000	A.I.A.C. ASSY	1	
6	17590-HMC-000	A.I.S.V. ASSY	1	
7	17591-HMC-000	A.I.S.V. RUBBER	1	
8	17592-HMC-000	A.I.S.V. COLLAR	1	
9	18533-M7Q-000	AIR HOSE CLIP 19	4	
10	18659-L2A-000	A.I.C.V. STAY	1	
11	18811-N14-000	A.I.A.C.SETTING BAND	1	
12	93891-05016-07	WASHER SCREW 5*16	1	

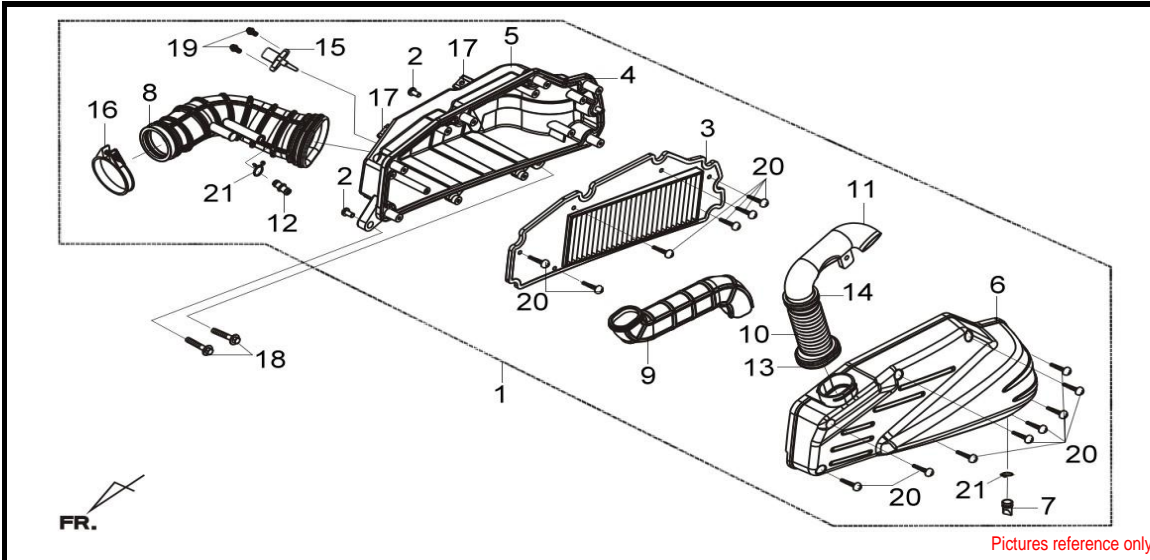
•Please check the color & stripe information according to the color index!



Pictures reference only

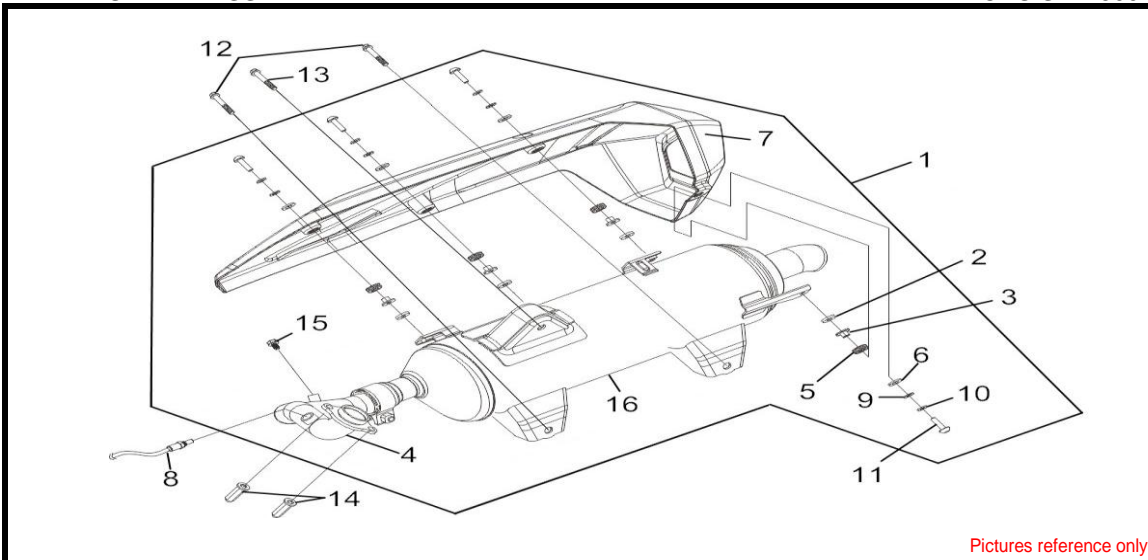
NO	PARTS NUMBER	DESCRIPTION	QTY	EFFECTIVE DATE
1	11211-L3A-000	BREATHER TUBE	1	
2	15772-500-013	TUBE CLIP	1	
3	17370-M9Q-000	BREATHER TUBE PLUG	1	
4	17371-M9Q-000	BREATHER TUBE CLIP	1	
5	17380-H6A-000	BREATHER CHAMBER COMP	1	
6	17385-H6A-000	CHAMBER SETTING BAND	1	
7	1738A-L3A-000	BREATHER CHAMBER ASSY.	1	
8	17562-L2A-000	P.C.V./A.C. TUBE	1	
9	90682-V02-900	TUBE CLAMPER D11.5	1	
10	95002-80000	TUBE CLIP C12	3	
11	95003-23022-10	V TUBE 8*12*220	1	

•Please check the color & stripe information according to the color index !



NO	PARTS NUMBER	DESCRIPTION	QTY	EFFECTIVE DATE
1	17200-LM1-000	AIR/C ASSY.	1	
2	17208-L3A-000	AIR/C SET COLLAR	2	
3	17211-HMA-000	AIR/C ELEMENT COMP	1	
4	17214-HMA-000	AIR/C COVER SEAL	1	
5	17230-L3A-000	AIR/C CASE COMP	1	
6	17231-LM1-000	AIR/C COVER	1	
7	17234-M51-000	AIR CLEANER DRAIN TUBE	1	
8	17253-L3D-000	AIR/C CONNECTING TUBE	1	
9	17255-HMA-000	AIR/INLET DUCT	1	
10	17257-HMA-000	AIR/C DUCT A	1	
11	17258-H9A-000	AIR/C DUCT B	1	
12	17359-M9Q-000	BREATHER TUBE JOINT	1	
13	18362-HMA-000	BAND SILENCR SEAL	1	
14	18362-KA4-700	BAND SILENCR SEAL	1	
15	37830-HMC-000	AIR TEMP SENSOR	1	
16	90652-HMA-000	AIR/C CONN. TUBE BAND 52	1	
17	90305-L3A-000	CLIP NUT 5	2	
18	93404-06040-07	WASHER BOLT 6*40	2	
19	93891-05016-07	WASHER SCREW 5*16	2	
20	93903-25480	TAPPING SCREW 5*20	14	
21	95002-80000	TUBE CLIP C12	3	

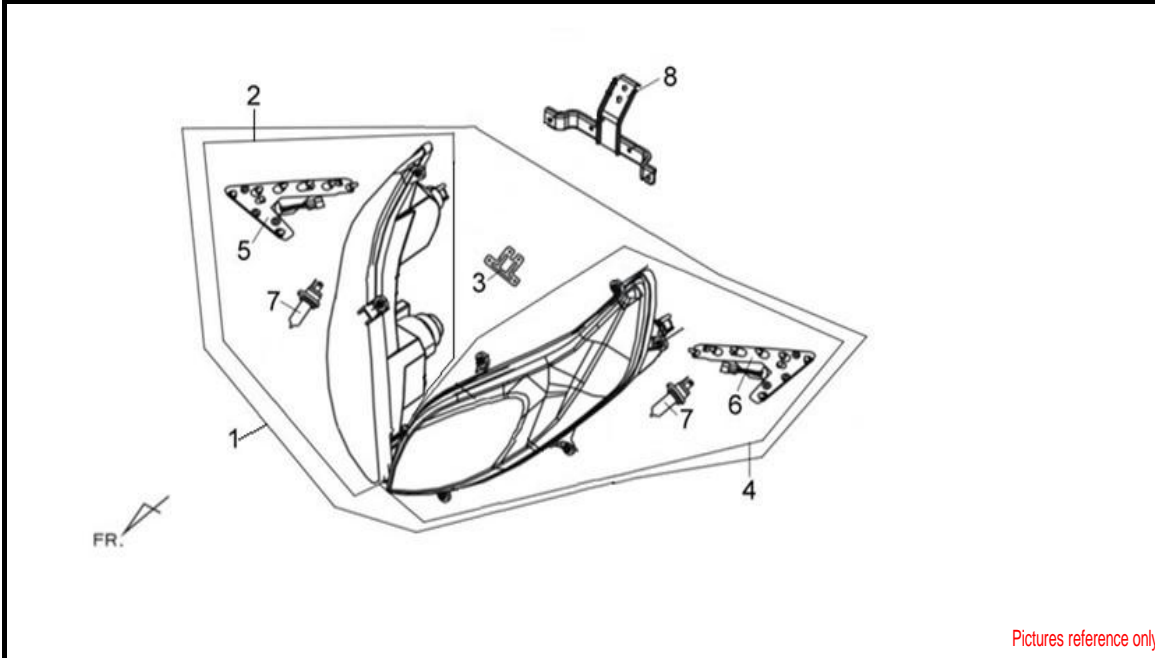
●Please check the color & stripe information according to the color index !



Pictures reference only

NO	PARTS NUMBER	DESCRIPTION	QTY	EFFECTIVE DATE
1	18000-LM1-000	EXH. MUFFLER ASSY. (BK-001U)	1	
2	18292-F3E-000	PROTECTOR PACKING A	4	
3	18295-A1A-000	COLLAR M6	4	
4	18320-L9D-300	EXH. PIPE COMP.	1	
5	18321-L1A-000	PROTECTOR RUBBER	4	
6	18293-F3E-000	PROTECTOR PACKING	4	
7	18318-LM1-000	MUFFLER PROTECTOR	1	
8	37890-LHF-000	O2 SENSOR	1	
9	94101-06700	PLAIN WASHER 6mm	4	
10	94111-06700	SPRING WASHER 6mm	4	
11	90116-L4A-000	SPECIAL BOLT M6*22	4	
12	90002-L3A-000	FLANGE BOLT M10*50	2	
13	90001-L3A-000	FLANGE BOLT M10*60	1	
14	90043-HMA-000	CAP NUT 8mm	2	
15	93401-HKD-000	WASHER BOLT 6*10	1	
16	18310-LM1-300	MUFFLER COMP.	1	

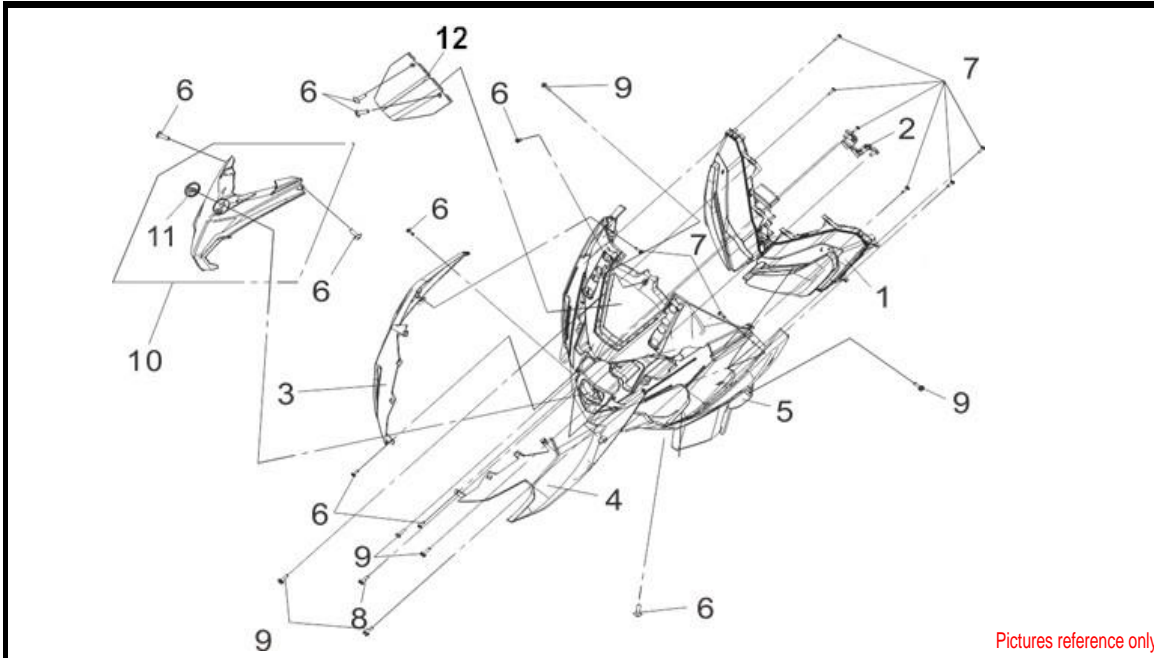
● Please check the color & stripe information according to the color index !



Pictures reference only

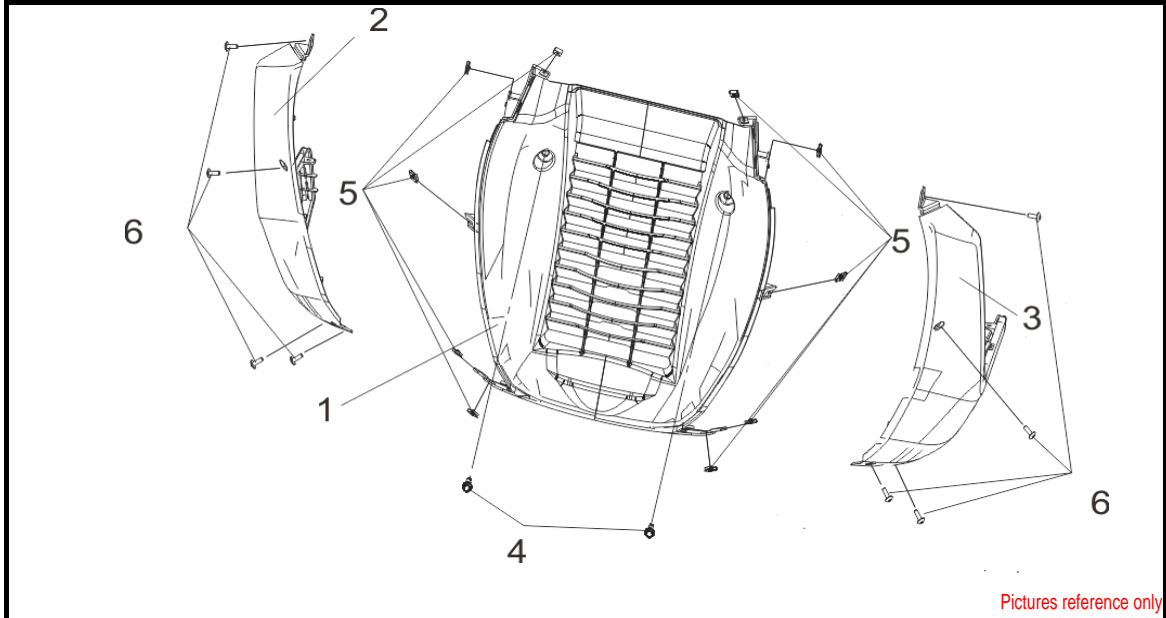
NO	PARTS NUMBER	DESCRIPTION	QTY	EFFECTIVE DATE
1	3310A-LM1-000 / 3310A-LM2-000	HEAD LIGHT ASSY	1	
2	33100-LM1-000	R. HEAD LIGHT	1	
2.1	64304-X01-000	FR. COVER RUBBER	2	
3	33120-L4A-000	HEAD LIGHT PLATE	1	
4	33150-LM1-000	L. HEAD LIGHT ASSY	1	
4.1	64304-X01-000	FR. COVER RUBBER	2	
5	33144-LM1-000	R. POSITION LIGHT LED PCB ASSY	1	
6	33244-LM1-000	L. POSITION LIGHT LED PCB ASSY	1	
7	34901-HWA-000	HEAD LIGHT BULB	2	
8	50310-LM1-000	HEAD LIGHT BRKT	1	

Please check the color & stripe information according to the color index !



NO	PARTS NUMBER	DESCRIPTION	QTY	EFFECTIVE DATE
1	3310A-LM1-000	HEAD LIGHT ASSY	1	
2	50310-LM1-000	HEAD LIGHT BRKT	1	
3	64303-LM1-000-JH	R. FR SIDE COVER BK-001UL	1	
3	64303-LM1-000-IL	R. FR SIDE COVER GY-7450U	1	
3	64303-LM1-000-RT	R. FR SIDE COVER R-010CA	1	
3	64303-LM1-000-QU	R. FR SIDE COVER WH-300P	1	
4	64304-LM1-000-JH	L. FR SIDE COVER BK-001UL	1	
4	64304-LM1-000-IL	L. FR SIDE COVER GY-7450U	1	
4	64304-LM1-000-RT	L. FR SIDE COVER R-010CA	1	
4	64304-LM1-000-QU	L. FR SIDE COVER WH-300P	1	
5	64301-LM1-000-KA	FR COVER BK-001U	1	
6	93903-44480	TAPPING SCREW 4X16	12	
7	93903-35320	TAPPING SCREW 5*16	10	
8	95801-06016-08	FLANGE BOLT 6*16	1	
9	95801-06020-08	FLANGE BOLT 6*20	6	
10	6430C-LM1-000-KB	FR. TOP COVER ASSY. BK-001C	1	
11	87552-L6G-000	SYM LOGO (50 PC)	1	
12	64309-LM1-000	FR. COVER LID (BK-001U)	1	

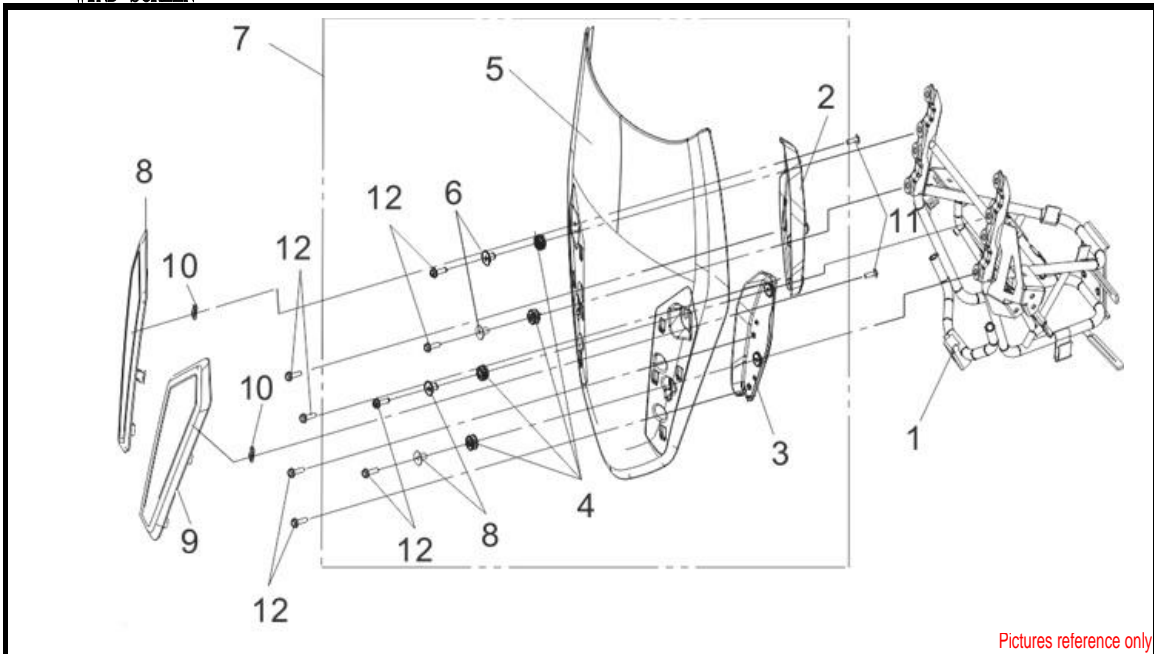
●Please check the color & stripe information according to the color index !



Pictures reference only

NO	PARTS NUMBER	DESCRIPTION	QTY	EFFECTIVE DATE
1	64300-LM1-000	FR. UNDER SPOILER (BK-001U)	1	
2	64305-LM1-000-JH	R. FR. SIDE SPOILER BK-001UL	1	
3	64305-LM1-000-IL	R. FR. SIDE SPOILER GY-7450U	1	
4	64305-LM1-000-RT	R. FR. SIDE SPOILER R-010CA	1	
5	64305-LM1-000-QU	R. FR. SIDE SPOILER WH-300P	1	
6	64306-LM1-000-JH	L. FR. SIDE SPOILER BK-001UL	1	
7	64306-LM1-000-IL	L. FR. SIDE SPOILER GY-7450U	1	
8	64306-LM1-000-RT	L. FR. SIDE SPOILER R-010CA	1	
9	64306-LM1-000-QU	L. FR. SIDE SPOILER WH-300P	1	
10	93404-06012-07	WASHER BOLT 6*12	2	
11	90302-M9Q-800	NUT SPRING 4mm	16	
12	93903-44480	TAPPING SCREW 4*16	3	

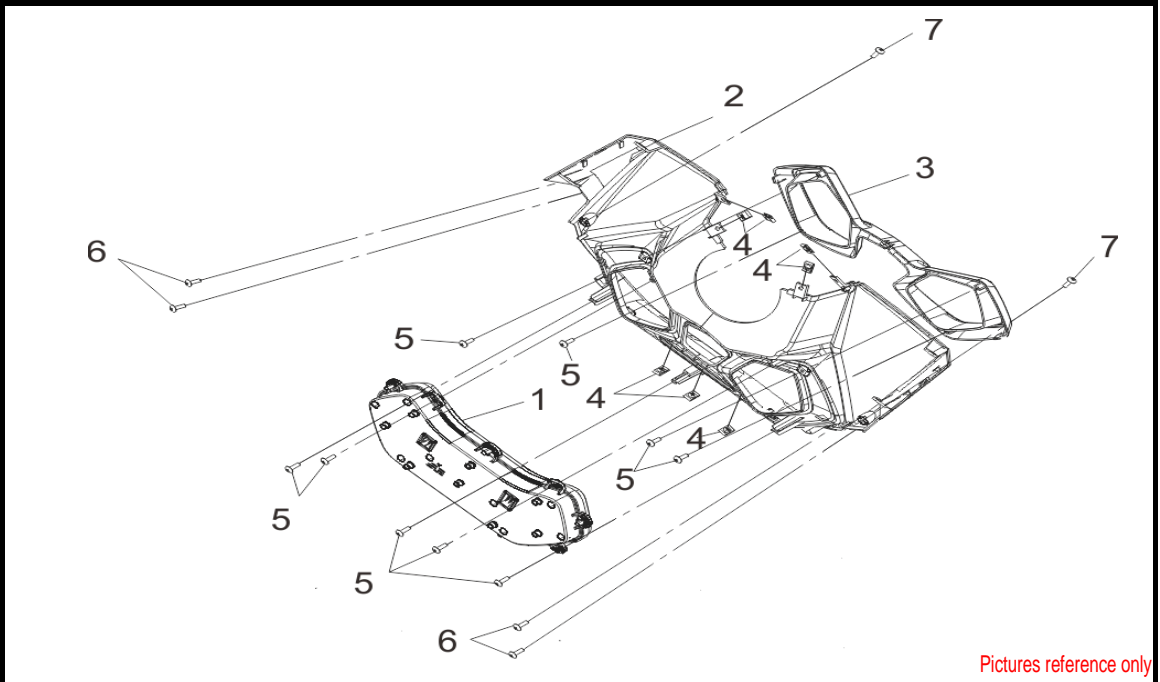
●Please check the color & stripe information according to the color index !



Pictures reference only

NO	PARTS NUMBER	DESCRIPTION	QTY	EFFECTIVE DATE
1	50315-LM1-000	FR. COVER STAY	1	
2	50317-LM1-010	R WIND SCREEN STAY	1	
3	50318-LM1-010	L WIND SCREEN STAY	1	
4	64304-X01-000	FR. COVER RUBBER	4	
5	67100-LM1-010	WIND SCREEN	1	
6	67101-HMA-000	WIND SCREEN COLLAR	2	
7	6710A-LM1-010	WIND SCREEN SET.	1	
7.1	87121-LM1-000	R. WIND SCREEN STRIPE	1	
7.2	87122-LM1-000	L. WIND SCREEN STRIPE	1	
8	67110-LM1-010	R. WIND SCREEN GARNISH (BK-001U)	1	
9	67120-LM1-010	L. WIND SCREEN GARNISH (BK-001U)	1	
10	90302-M9Q-800	NUT SPRING 4mm	2	
11	93903-44480	TAPPING SCREW 4*16	2	
12	95801-06022-07	FLANGE BOLT 6*22	4	

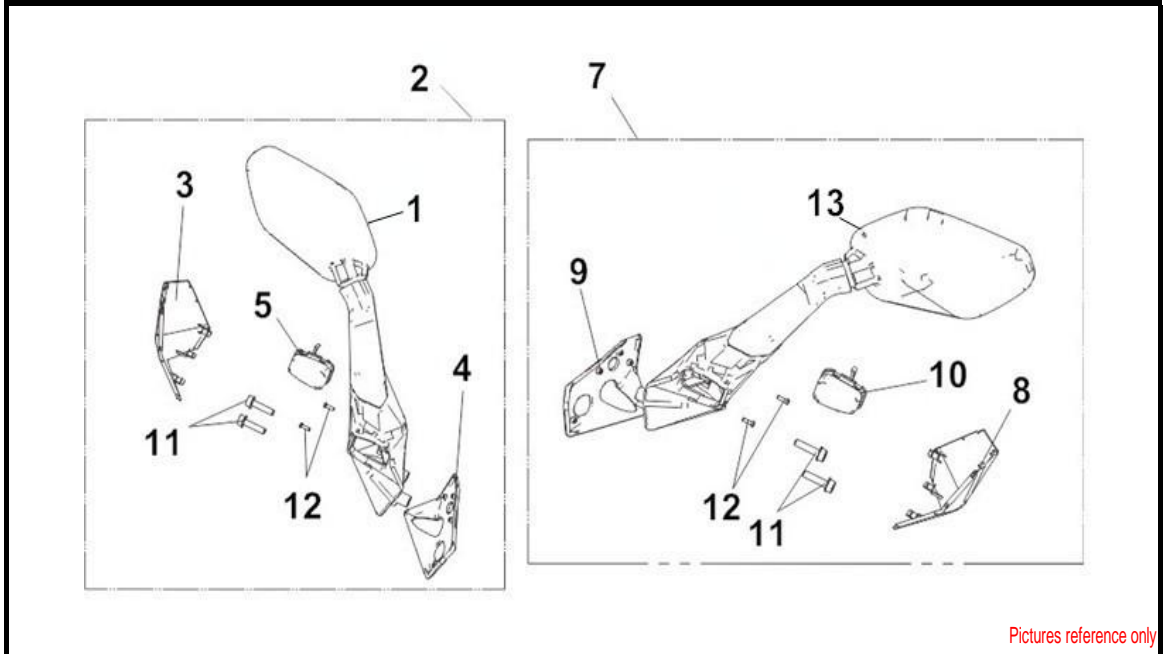
●Please check the color & stripe information according to the color index !



Pictures reference only

NO	PARTS NUMBER	DESCRIPTION	QTY	EFFECTIVE DATE	
1	37200-LM1-000	SPEEDOMETER ASSY.	1		
2	53208-LM1-000	METER PANEL BK-001U	1		
3	53210-LM1-000-OK	METER TRIM (S-011U)	1		
4	90302-M9Q-800	NUT SPRING 4mm	2		
5	93903-35320	TAPPING SCREW 5*16	9		
6	93903-35380	TAPPING SCREW 5*16	6		
7	93903-44480	TAPPING SCREW 4*16	2		

●Please check the color & stripe information according to the color index !

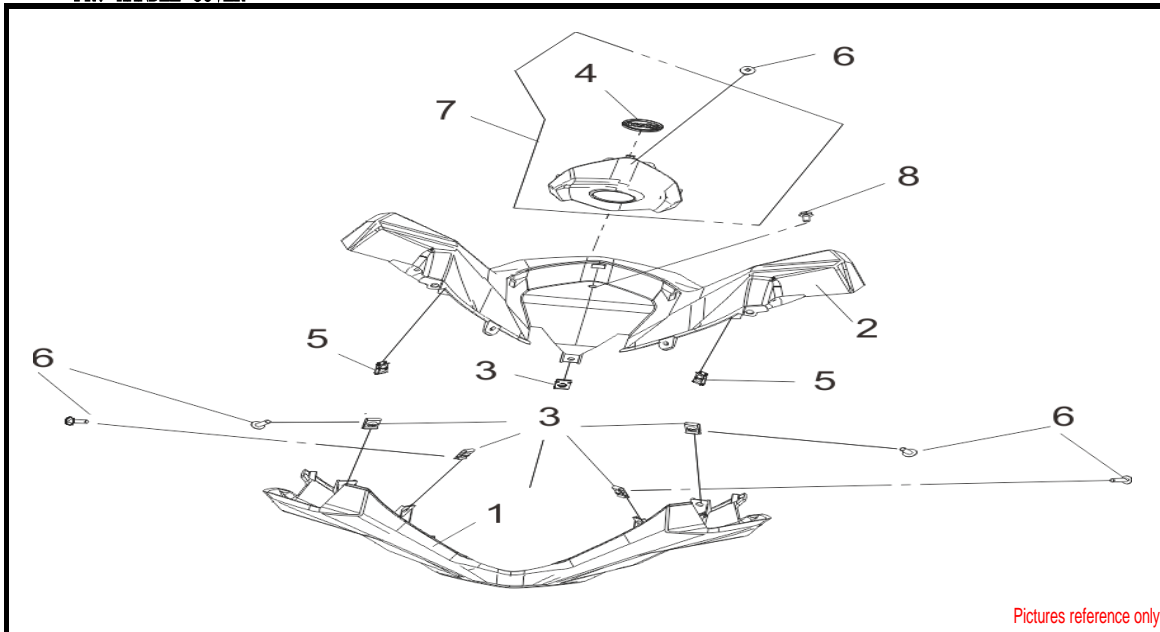


NO	PARTS NUMBER	DESCRIPTION	QTY	EFFECTIVE DATE
1	88115-LM1-000	R. BACK MIRROR ASSY(NO WINKER)	1	
2	88110-LM1-000	R. BACK MIRROR ASSY	1	
3	88111-LM1-000	R. BASE COVER	1	
4	88112-LM1-000	R. PAD	1	
5	33400-LM1-000	R. FR. WINKER LAMP ASSY.	1	
7	88120-LM1-000	L. BACK MIRROR ASSY	1	
8	88121-LM1-000	L. BASE COVER	1	
9	88122-LM1-000	L. PAD	1	
10	33450-LM1-000	L. FR. WINKER LAMP ASSY.	1	
11	93500-03010-1A	PAN SCREW 3*10	2	
12	96700-06025-07	SOCKET BOLT 6*25	2	
13	88125-LM1-000	L. BACK MIRROR ASSY(NO WINKER)	1	

●Please check the color & stripe information according to the color index !

F07 FR. HANDLE COVER

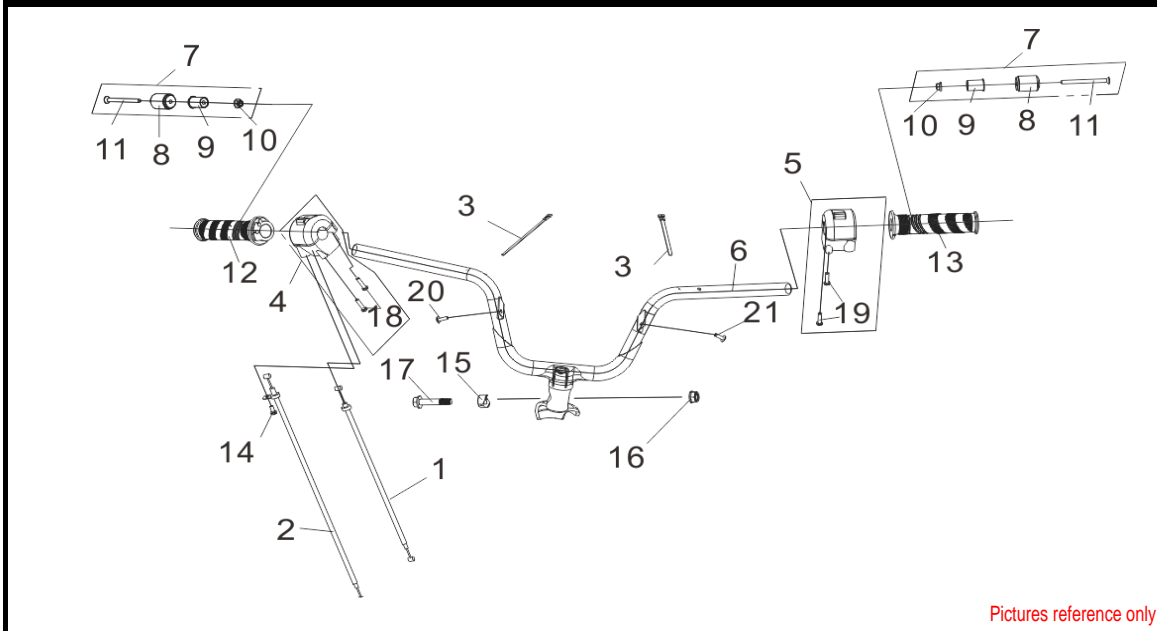
CRUISYM 300i



Pictures reference only

NO	PARTS NUMBER	DESCRIPTION	QTY	EFFECTIVE DATE	
1	53205-LM1-000	FR HANDLE COVER (BK-001C)	1		
2	53206-LM1-000	RR. HANDLE COVER	1		
3	90302-M9Q-800	NUT SPRING 4mm	5		
4	87552-L6G-900	SYM LOGO (40 PC)	1		
5	90308-X04-000	SPECIAL NUT 5mm	2		
6	93903-44480	TAPPING SCREW 4*16	6		
7	5320C-LM1-000-OK	HANDLE COVER MASK ASSY.(S-011U)	1		
8	93894-05016-07	WASHER SCREW	1		

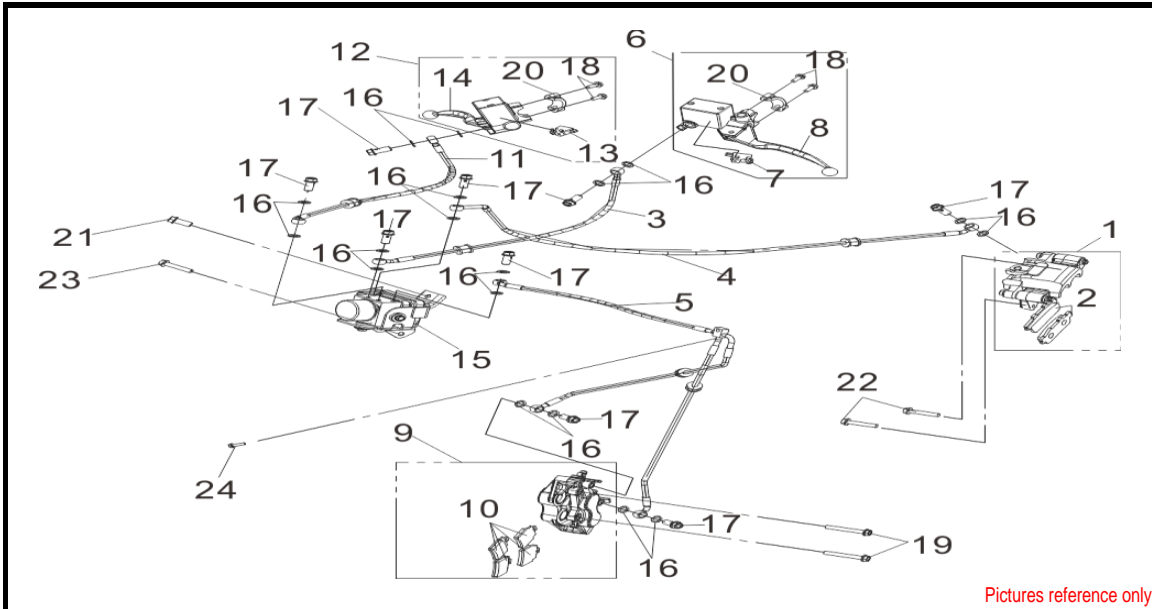
●Please check the color & stripe information according to the color index !



Pictures reference only

NO	PARTS NUMBER	DESCRIPTION	QTY	EFFECTIVE DATE
1	17910-L3A-000	THROT. CABLE COMP A	1	
2	17920-L3A-000	THROT. CABLE COMP B	1	
3	32160-A3A-900	WIRE BAND 200*4.7	2	
4	35150-L4A-000	R. HANDLE SW. ASSY	1	
5	35200-HNL-000	L. HANDLE SW. ASSY	1	
6	53100-LM1-000	STRG. HANDLE COMP	1	
7	53104-N02-000	HANDLE PIPE WT. ASSY.	2	
8	53105-N02-000	HANDLE PIPE WT.	2	
9	53106-N02-000	HANDLE WEIGHT RUBBER	2	
10	53108-N02-000	SPECIAL NUT 6mm	2	
11	90118-N02-000	HNDL. WT. BOLT	2	
12	53140-L4A-003	THROT GRIP COMP BK-001U	1	
13	53166-L4A-004	L HANDLE GRIP BK-001U	1	
14	93891-05012-07	WASHER SCREW 5*12	1	
15	53125-M9Q-000	HANDLE SET COLLAR	1	
16	90304-M9Q-000	NUT U FLANGE 10mm	1	
17	90106-M9Q-000	FLANGE BOLT 10*50	1	
18	93500-05035-0G	PAN SCREW 5*35	2	
19	93500-05025-0G	PAN SCREW 5*25	2	
20	93903-35320	TAPPING SCREW 5*16	1	

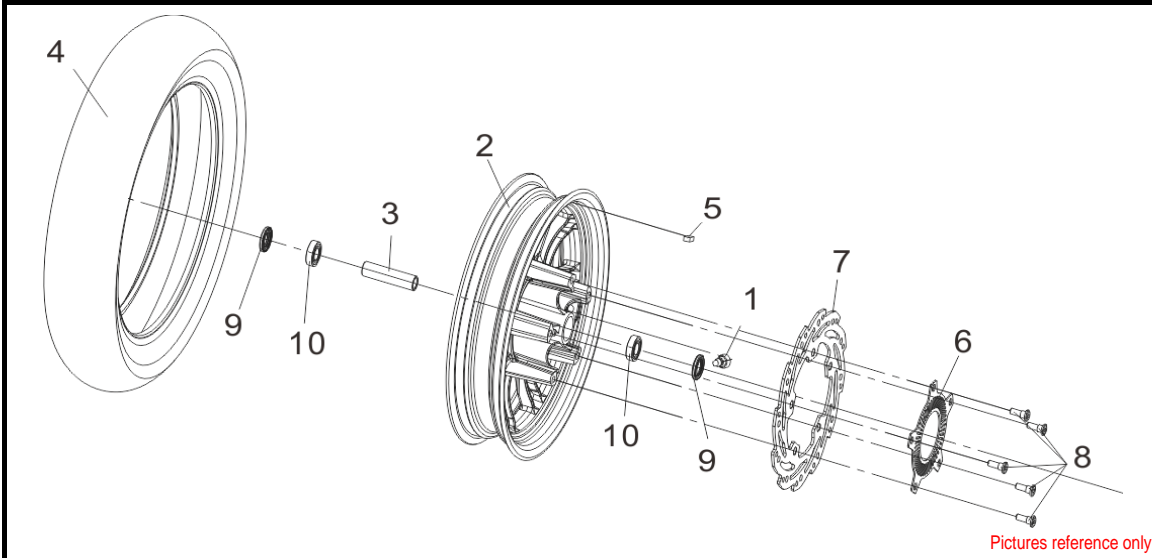
●Please check the color & stripe information according to the color index !



Pictures reference only

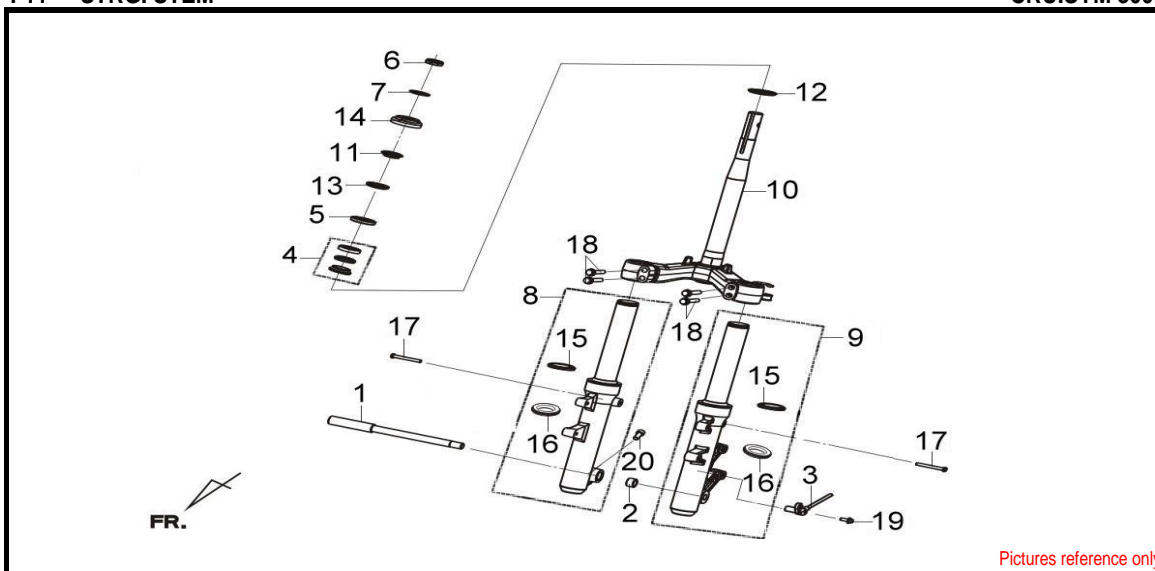
NO	PARTS NUMBER	DESCRIPTION	QTY	EFFECTIVE DATE
1	43100-L3A-010-KB	RR. CALIPER ASSY BK-001C	1	
2	43105-L3A-010-A / 45105-B9A-000	RR. BRAKE PAD COMP A (2PCS/1SET)	1	
3	43311-L3E-000-A1	RR BRAKE HOSE A	1	
4	43312-L3E-000-A1	RR BRAKE HOSE B	1	
5	45127-LM1-000	FR. BRAKE HOSE B	1	
6	43500-L3E-000	RR. M/C ASSY.	1	
7	35350-L6C-000	RR. HANDLE STOP SW.	1	
8	53178-HMA-000	L.HANDLE LEVER	1	
9	45100-L3A-000-KB	FR. CALIPER ASSY BK-001C	1	
10	45105-L3A-000-A	FR. BRAKE PAD SET(4PCS/1SET)	1	
11	45126-L3E-000-A1	FR BRAKE HOSE A	1	
12	45500-L3E-000	FR. M/C ASSY	1	
13	35340-L6C-000	FR. HANDLE STOP SW.	1	
14	53175-HMA-000	R.HANDLE LEVER	1	
15	38730-L3G-000	ABS.HYDRAULIC CIRCUIT UNIT	1	
16	90145-M9Q-000	OIL BOLT 10*22	9	
17	90545-M9Q-000	OIL BOLT WASHER	18	
18	95801-06022-07	FLANGE BOLT 6*22	4	
19	90104-H5K-000	FLANGE BOLT 8*40	2	
20	45517-TFA-000	M/C HOLDER	1	
21	93404-08014-07	FLANGE BOLT 8*14	1	
22	90104-L2A-000	FLANGE BOLT 8*57	2	
23	95801-08060-07	FLANGE BOLT 8*60	1	
24	95801-06020-08	FLANGE BOLT 6*20	1	

●Please check the color & stripe information according to the color index !



NO	PARTS NUMBER	DESCRIPTION	QTY	EFFECTIVE DATE
1	42753-KBN-902	RIM VALVE (MK=419)	1	
2	44601-L9F-000-IF	FR. CAST WHEEL COMP GY-430S	1	
3	44620-L3A-000	FR. AXLE DIST COLLAR	1	
4	44710-LM1-001	FR. TIRE ASSY(120/70-14 55P)	1	
5	44720-H9A-000	BALANCE WEIGHT	1	
6	45120-L3A-000	ABS DETECTIVE DISK	1	
7	45121-L3A-900	FR. BRAKE DISK(S-421S)	1	
8	90105-L3A-000	FRONT DISK BOLT 8*26	5	
9	90754-LEA-000	DUST SEAL 20*35*5.0	1	
10	90912-LEA-000	BEARING 6202(LLU)	1	

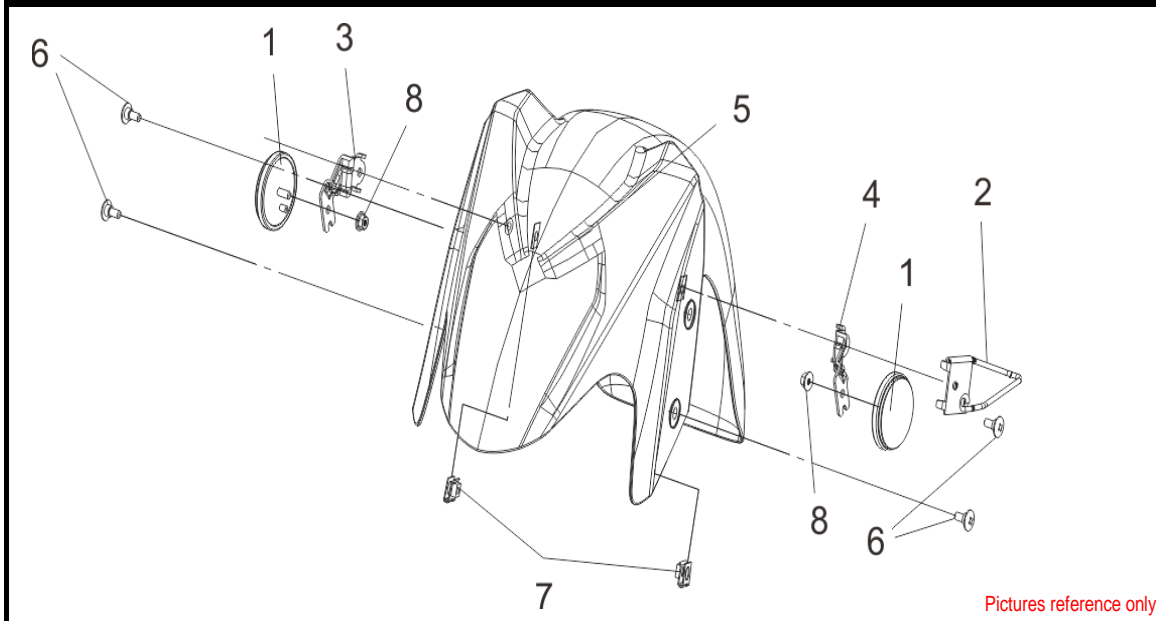
●Please check the color & stripe information according to the color index !



Pictures reference only

NO	PARTS NUMBER	DESCRIPTION	QTY	EFFECTIVE DATE	
1	44301-L3A-000	FR. WHEEL AXLE	1		
2	44311-L3A-000	FR. WHEEL SIDE COLLAR	1		
3	44870-L4C-000	ABS. SPEED SENSOR	1		
4	50300-L4A-000	BALL RACE SET	1		
5	50301-HMA-000	RACE UP STRG BALL	1		
6	50306-M9Q-000	STRG. STEM LOCK NUT(MZ→SY)	1		
7	50308-HMA-000	STRG STEM WASHER	1		
8	51400-L3A-000	R CUSHION ASSY. BK-001C	1		
9	51500-L3A-000	L. CUSHION ASSY(BK-001C)	1		
10	53200-L3E-000	STRG. STEM COMP	1		
11	53211-HMA-000	STRG. UP CONE RACE	1		
12	53214-L4A-000	STRG.DUST SEAL	1		
13	53215-HMA-000	STEEL BALL UP ASSY.	1		
14	53220-HMA-000	STRG HEAD TOP THREAD COMP	1		
15	91255-L3A-000	FR. CUSHION OIL SEAL	2		
16	91256-L3A-000	DUST SEAL	2		
17	93891-06050-07	WASHER SCREW 6*50	2		
18	95801-10040-08	FLANGE BOLT 10*40	4		
19	96001-06012-00	FLANGE BOLT SH 6*12	1		
20	96700-08020-00	SOCKET BOLT 8*20	1		

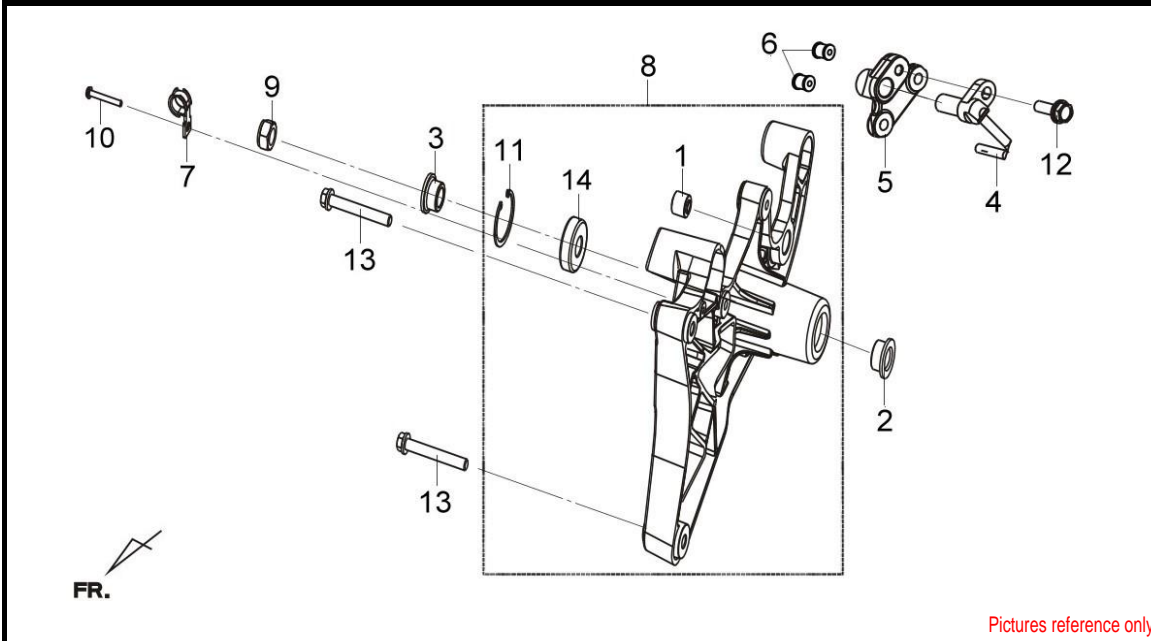
●Please check the color & stripe information according to the color index !



Pictures reference only

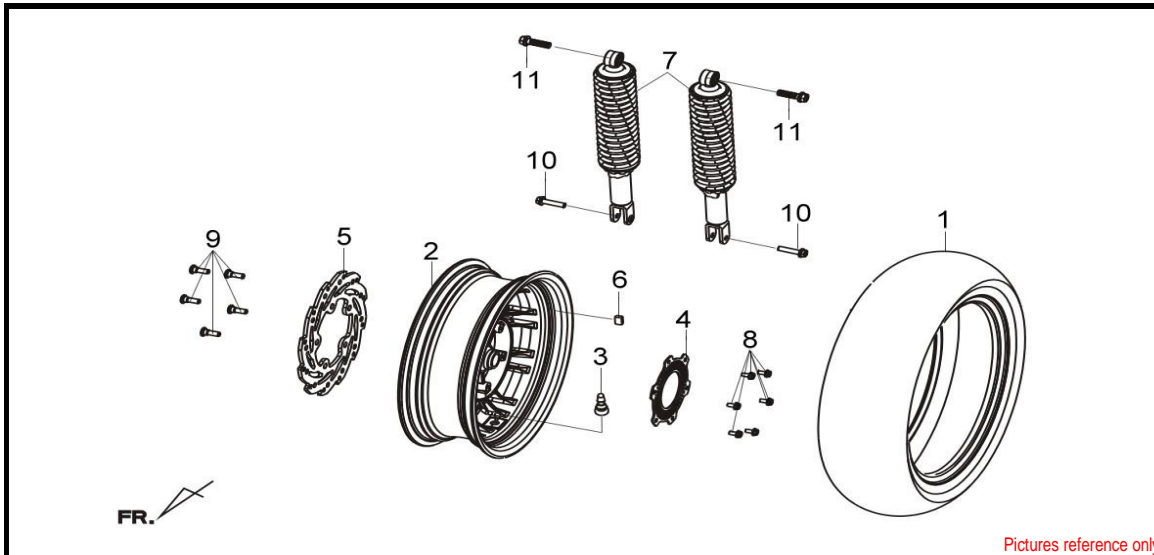
NO	PARTS NUMBER	DESCRIPTION	QTY	EFFECTIVE DATE	
1	33742-F3H-000	SIDE REFLEX REFLCTOR	1		
2	45465-L3E-000	CABLE GUIDE	1		
3	51401-L3D-000	FR. RH. REFLECTOR STAY	1		
4	51501-L31-000	FR. LH. REFLECTOR STAY	1		
5	61100-LM1-000-IL	FR FENDER (GY-7450U)	1		
5	61100-LM1-000-JH	FR FENDER (BK-001UL)	1		
5	61100-LM1-000-QU	FR FENDER (WH-300P)	1		
5	61100-LM1-000-RT	FR FENDER (R-010CA)	1		
6	90164-M9Q-000	SCREW SPECIAL 6mm	4		
7	90305-M9Q-000	CLIP NUT 6mm	2		
8	94050-06070	FLANGE NUT 6mm	2		

●Please check the color & stripe information according to the color index !



NO	PARTS NUMBER	DESCRIPTION	QTY	EFFECTIVE DATE
1	11203-M9Q-300	RR CUSH UND BUSH RUBBER	1	
2	42311-H9A-000	RR. AXLE COLLAR	1	
3	42311-H9A-900	RR. AXLE COLLAR	1	
4	44870-L4C-000	ABS. SPEED SENSOR	1	
5	44871-L4C-000	ABS. SPEED SENSOR BRKT.	1	
6	44910-L4C-000	ABS. RUBBER BUSH	1	
7	45156-LAS-000	FR. BRAKE HOSE CLAMP	1	
8	5210A-L3A-000-IL	RR. FORK ASSY(GY-7450U)	1	
9	90305-M9Q-900	U NUT 16mm	1	
10	93891-05045-07	WASHER SCREW 5X45	1	
11	94524-47000	CIR CLIP IN47	1	
12	95801-06016-07	FLANGE BOLT 6*16	1	
13	95801-10075-07	FLANGE BOLT 10*75	2	

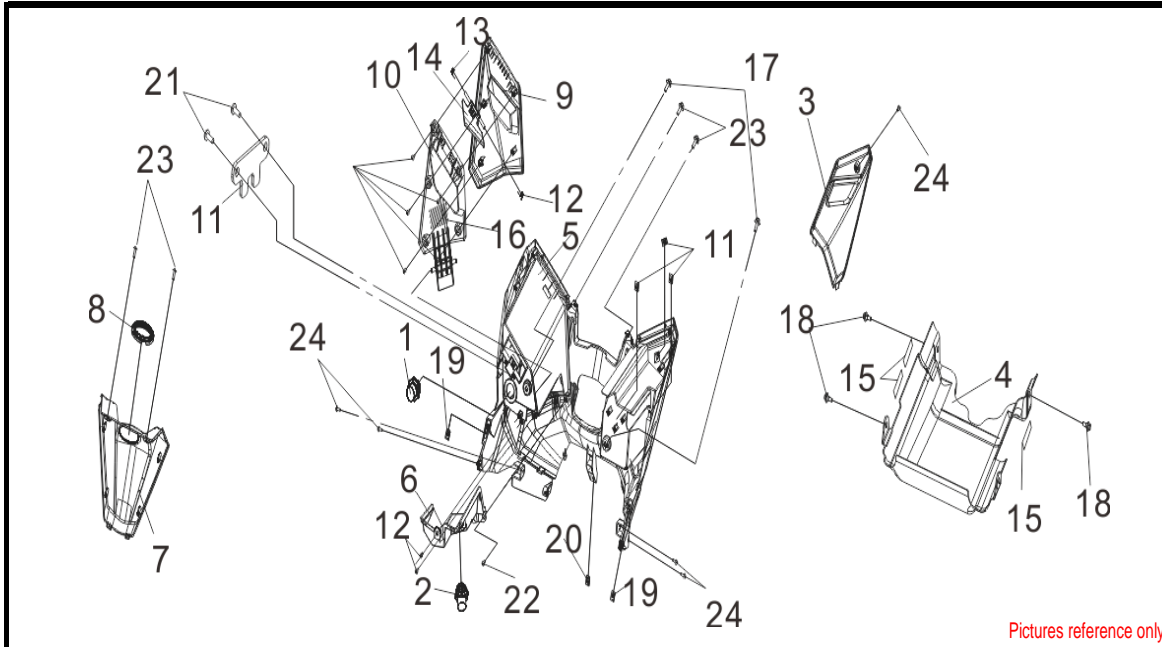
●Please check the color & stripe information according to the color index !



Pictures reference only

NO	PARTS NUMBER	DESCRIPTION	QTY	EFFECTIVE DATE
1	42710-LM1-001	RR. TIRE ASSY(140/60-13 63P)	1	
2	42601-L9F-000-IF	RR. CAST WHEEL COMP GY-430S	1	
3	42753-KBN-902	RIM VALVE (MK=419)	1	
4	43120-L3E-000	RR. ABS DETECTIVE DISK	1	
5	43121-L3A-900	RR. BRAKE DISK(S-421S)	1	
6	44720-H9A-000	BALANCE WEIGHT	1	
7	52400-LM1-000-KB	RR CUSHION ASSY. BK-001C	2	
8	93500-L2F-000	PAN SCREW 6X14	6	
9	90105-KR3-000	FR. DISK BOLT 8*24	5	
10	95801-08035-00	FLANGE BOLT M8X35	2	
11	95801-10040-07	FLANGE BOLT 10*40	2	

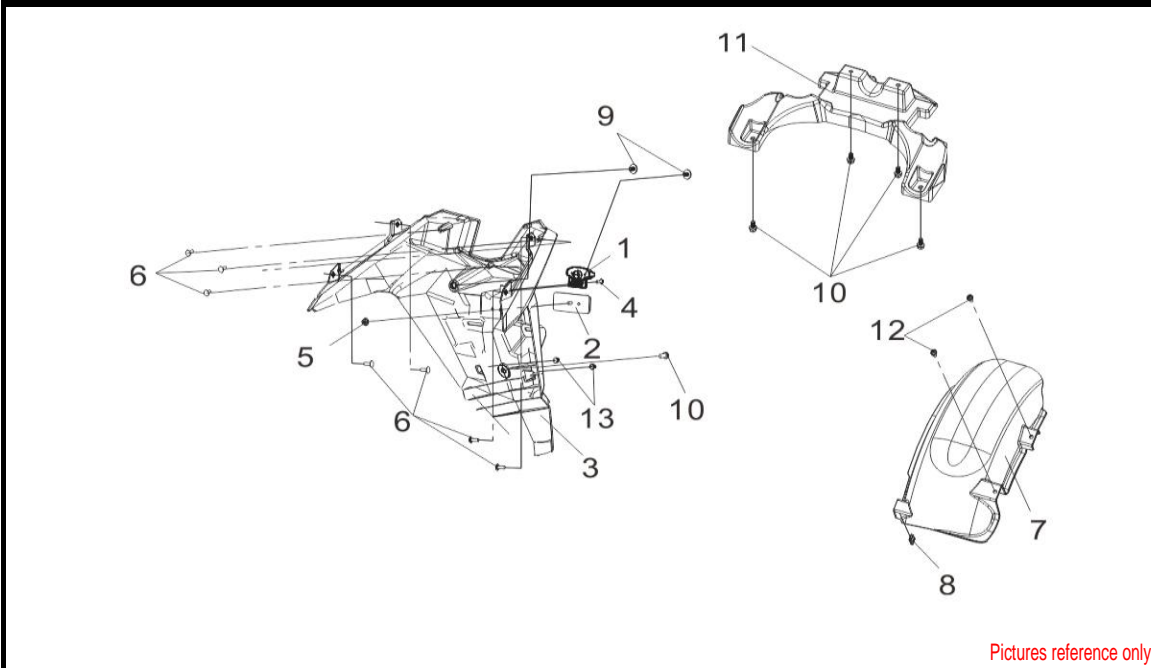
●Please check the color & stripe information according to the color index !



Pictures reference only

NO	PARTS NUMBER	DESCRIPTION	QTY	EFFECTIVE DATE
1	38600-L4A-000	DC. POWER OUTLET ASSY	1	
2	38650-FSA-000-A2	USB CHARGE UNIT (MK=687)	1	
3	50326-LM1-000-IL	BATTERY COVER (GY-7450U)	1	
4	50611-HMA-000	UNDER COVER BK-001U	1	
5	81131-LM1-000	INNER BOX BK-001U	1	
6	81132-LM1-000	INNER BOX USB DOCK (BK-001U)	1	
7	81133-LM1-000	MAIN SW. COVER (BK-001U)	1	
8	81134-LM1-000	KEY SET SHUTTER PACKING	1	
9	81141-LM1-000-IL	INNER BOX LID (GY-7450U)	1	
10	81142-LM1-000	INNER BOX LID STIFFENER (BK-001U)	1	
11	81149-L4A-000	FUES BOX STAY	1	
12	81163-LM1-000	R. COIN BOX LOCK SPRING	1	
13	81164-LM1-000	L. COIN BOX LOCK SPRING	1	
14	81165-LM1-000	INNER COVER LID LOCK (BK-001U)	1	
15	83619-L3F-000	CUSHION RUBBER	3	
16	87503-LM1-000	FUSE BOX OPEN NOTICE STICKER	1	
17	90111-HKD-900	FLANGE BOLT	2	
18	90111-M9Q-800	FLANGE BOLT 6mm	2	
19	90302-M9Q-800	NUT SPRING 4mm	1	
20	90308-X04-000	SPECIAL NUT 5mm	1	
21	93903-34380	TAPPING SCREW 4*12	2	
22	93903-35280	TAPPING SCREW 5*12	1	
23	93903-44480	TAPPING SCREW 4*16	4	
24	93903-45380	TAPPING SCREW 5*16	5	

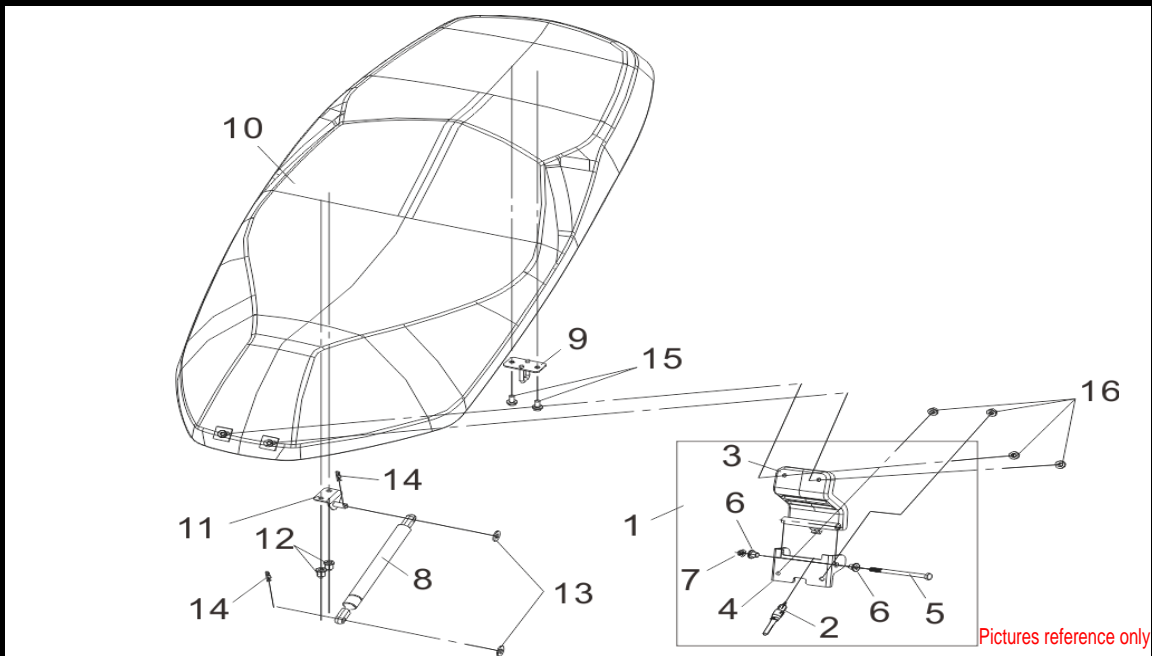
●Please check the color & stripe information according to the color index !



Pictures reference only

NO	PARTS NUMBER	DESCRIPTION	QTY	EFFECTIVE DATE	
1	33740-LEA-010	LICENSE LIGHT ASSY	1		
2	33741-M9A-100	RR. REFLEX REFLECTOR	1		
3	80100-LM1-000	RR. FENDER BK-001U	1		
4	93901-34480	TAPPING SCREW	1		
5	94050-05080	FLANGE NUT 5mm	1		
6	93903-35280	TAPPING SCREW 5*12	6		
7	80106-L3A-000-KA	RR. MUDGUARD(BK-001U)	1		
8	90677-M9Q-000	CLIP NUT M5*0.8	1		
9	90111-L2A-000	FLANGE BOLT 6mm	2		
10	93404-06012-07	WASHER BOLT 6*12	5		
11	80105-LM1-000	RR. INNER FENDER (BK-001U)	1		
12	93894-05016-07	WASHER SCREW	12		
13	90899-422-610	CORN. PLUG	2		

Please check the color & stripe information according to the color index !

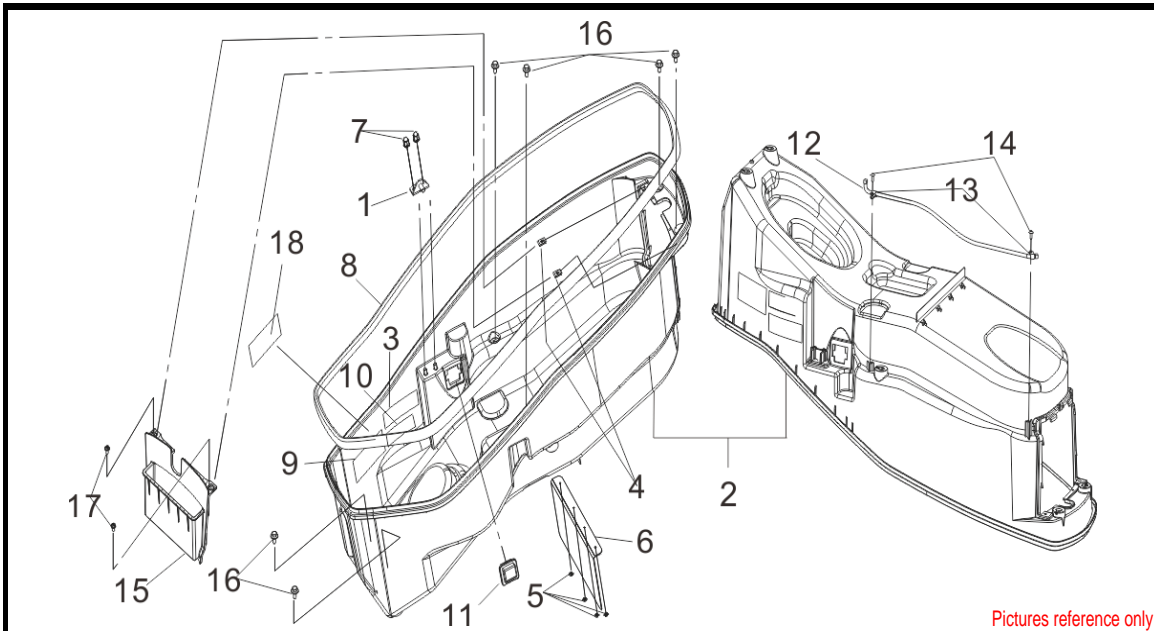


NO	PARTS NUMBER	DESCRIPTION	QTY	EFFECTIVE DATE
1	7711A-LM1-000	SEAT HINGE ASSY	1	
2	35345-L3A-000	SEAT OPEN LAMP SW	1	
3	77111-LM1-000	SEAT HINGE STAY A	1	
4	77112-LM1-000	SEAT HINGE STAY B	1	
5	95801-06110-08	FLANGE BOLT 6*110	1	
6	50757-L3A-000	SEAT HINGE OILES	2	
7	90306-BAA-000	U NUT 6mm	1	
8	74480-L3A-000	OPEN STAY	1	
9	77101-L3A-000	SEAT LOCK BAR	1	
10	77200-LM1-000	DOUBLE SEAT ASSY	1	
11	77202-HMA-100	OPEN STAY BRKT. A	1	
12	90304-M9Q-900	HEX CAP NUT 6mm	2	
13	94101-08800	PLAIN WASHER 8mm	2	
14	94251-08400	LOCK PIN 8mm (LATCH PIN)	2	
15	95801-06012-07	FLANGE BOLT 6*12	2	
16	94050-06080	FLANGE NUT 6mm	4	

●Please check the color & stripe information according to the color index !

F18 LUGGAGE BOX

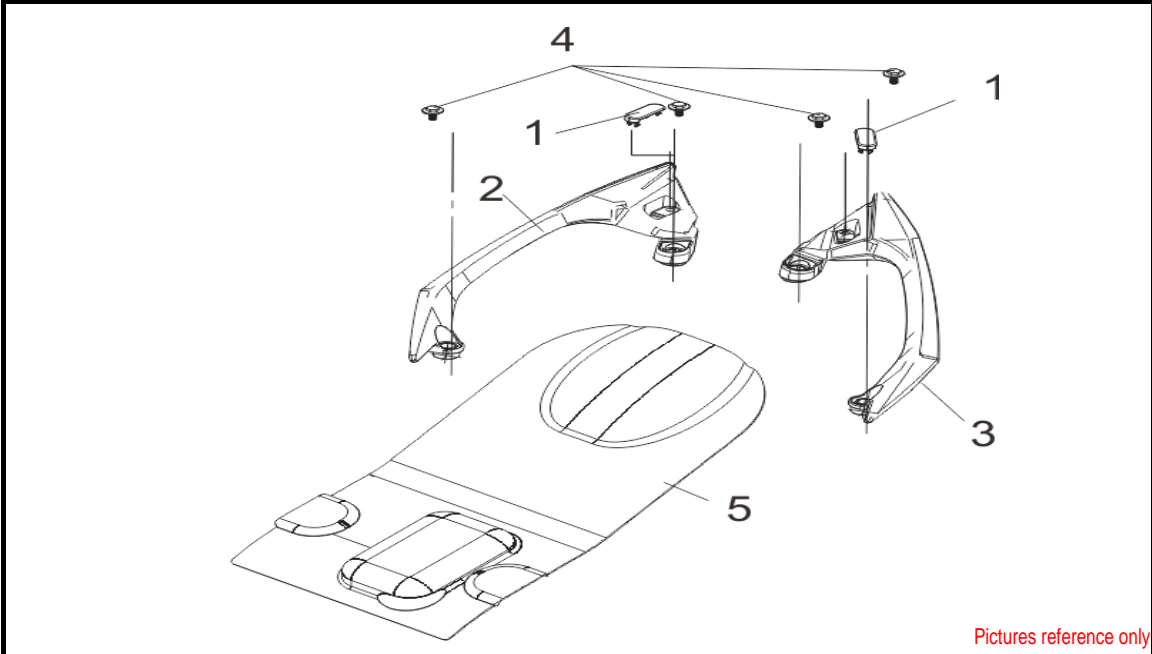
CRUISYM 300i



Pictures reference only

NO	PARTS NUMBER	DESCRIPTION	QTY	EFFECTIVE DATE
1	74481-HMA-100	OPEN STAY BRKT.	1	
2	81250-LM1-000	LUGGAGE BOX	1	
3	87505-L1A-000	TIRE CAUTION MARK	1	
4	90302-M9Q-800	NUT SPRING 4mm	2	
5	90301-GE0-000	CLIP UNT	4	
6	80104-HMA-000	SPLASH GUARD PLATE	1	
7	90304-M9Q-900	HEX CAP NUT 6mm	2	
8	77115-LM1-000	LUGGAGE BOX RRUBBER	1	
9	81219-L1A-000	LUGGAGU BOX CAUTION LABEL	1	
10	87561-L1A-000	DRIVE CAUTION STRIPE	1	
11	35370-M9P-000	LUGGAGE BOX LIGHT ASSY	1	
12	32105-LM1-000	LUGGAGE BOX LIGHT SUB CORD	1	
13	94592-A5W-000	CABLE CLAMP (1/14")	2	
14	93903-34320	TAPPING SCREW 4*12	2	
15	81256-LM1-000	LUGGAGE BOX RR. COVER	1	
16	90111-M9Q-800	FLANGE BOLT 6mm	6	
17	93903-44480	TAPPING SCREW 4*16	2	
18	50189-LM1-000	MANUFACTURER NO. PLATE	1	

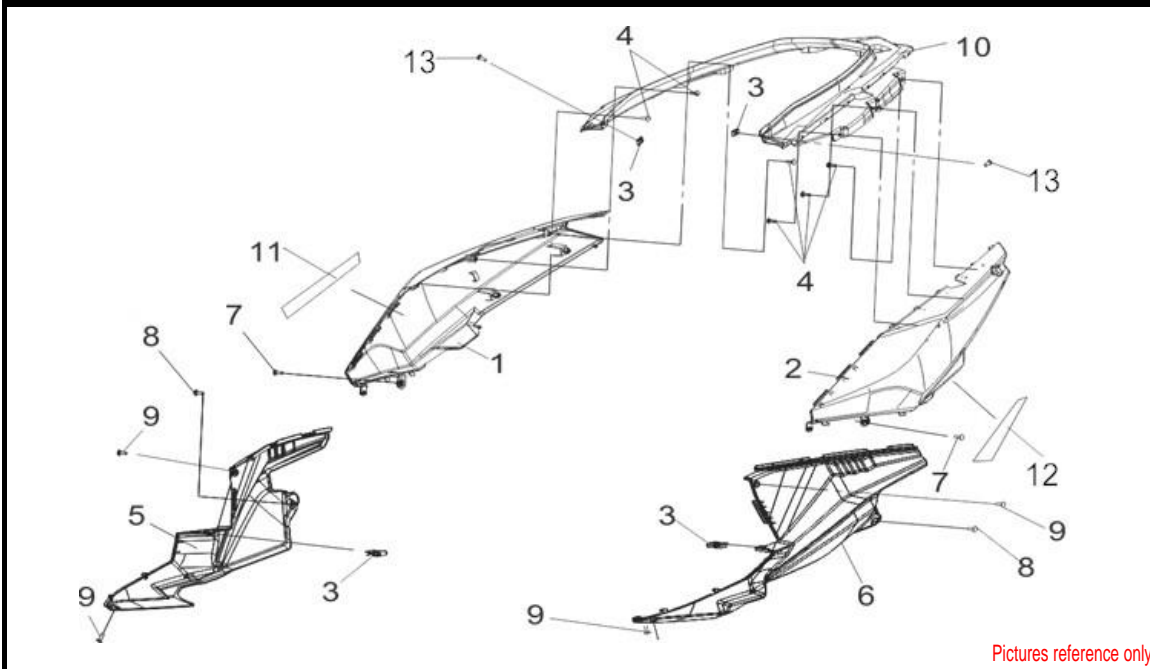
●Please check the color & stripe information according to the color index !



Pictures reference only

NO	PARTS NUMBER	DESCRIPTION	QTY	EFFECTIVE DATE	
1	81300-L1P-000	RR. CARRIER CAP	2		
2	81210-LM1-000-OK	R RR. CARRIER S-011U	1		
2	81210-LM1-000-JD	R RR. CARRIER BK-7C	1		
3	81220-LM1-000-OK	L RR. CARRIER S-011U	1		
3	81220-LM1-000-JD	L RR. CARRIER BK-7C	1		
4	90105-H7A-010	SPECIAL BOLT 8mm	4		
5	83630-L3A-100	LUGGAGE BOX MAT	1		

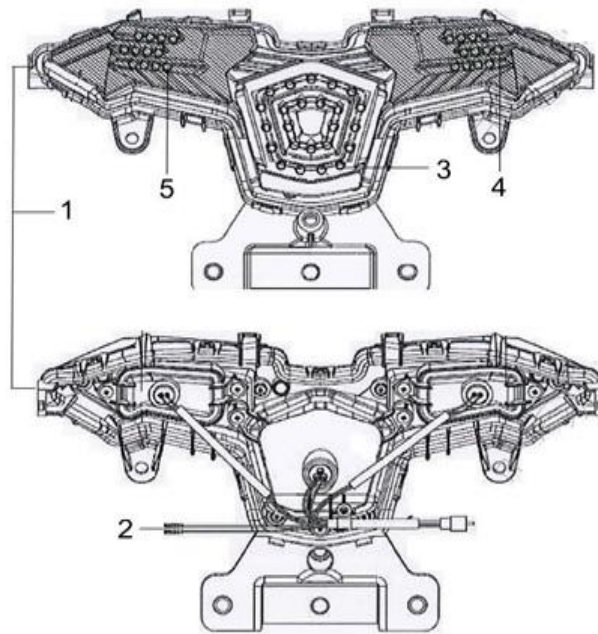
●Please check the color & stripe information according to the color index !



Pictures reference only

NO	PARTS NUMBER	DESCRIPTION	QTY	EFFECTIVE DATE
1	8350G-LM1-000-JH	R. BODY COVER ASSY. BK-001UL	1	
1	8350G-LL1-000-IL	R. BODY COVER ASSY. GY-7450U	1	
1	8350G-LL1-000-RT	R. BODY COVER ASSY. R-010CA	1	
1	8350G-LL1-000-QU	R. BODY COVER ASSY. WH-300P	1	
2	8360G-LM1-000-JH	L. BODY COVER ASSY. BK-001UL	1	
2	8360G-LL1-000-IL	L. BODY COVER ASSY. GY-7450U	1	
2	8360G-LL1-000-RT	L. BODY COVER ASSY. R-010CA	1	
2	8360G-LL1-000-QU	L. BODY COVER ASSY. WH-300P	1	
3	90302-M9Q-800	NUT SPRING 4mm	4	
4	93903-35280	TAPPING SCREW 5*12	1	
5	83520-LM1-000	R. SIDE COVER	1	
6	83620-LM1-000	L. SIDE COVER	1	
7	93401-06014-00	WASHER BOLT 6*14	2	
8	93891-05016-07	WASHER SCREW 5*16	2	
9	93903-44480	TAPPING SCREW 4*16	4	
10	83750-LM1-000-OK	RR. CENTER COVER S-011U	1	
10	83750-LM1-000-JD	RR. CENTER COVER BK-7C	1	
11	87126-LM1-000	R. CRUISYM EMBLEM (MRCR2-@)	1	
11	87126-LL1-000-OK	R. CRUISYM EMBLEM (S-011U)	1	
11	87126-LL1-000-JD	R. CRUISYM EMBLEM (BK-7C)	1	
12	87127-LM1-000	L. CRUISYM EMBLEM (MRCR2-@)	1	
12	87127-LL1-000-OK	L. CRUISYM EMBLEM (S-011U)	1	
12	87127-LL1-000-JD	L. CRUISYM EMBLEM (BK-7C)	1	
13	93903-34380	TAPPING SCREW 4*12	2	

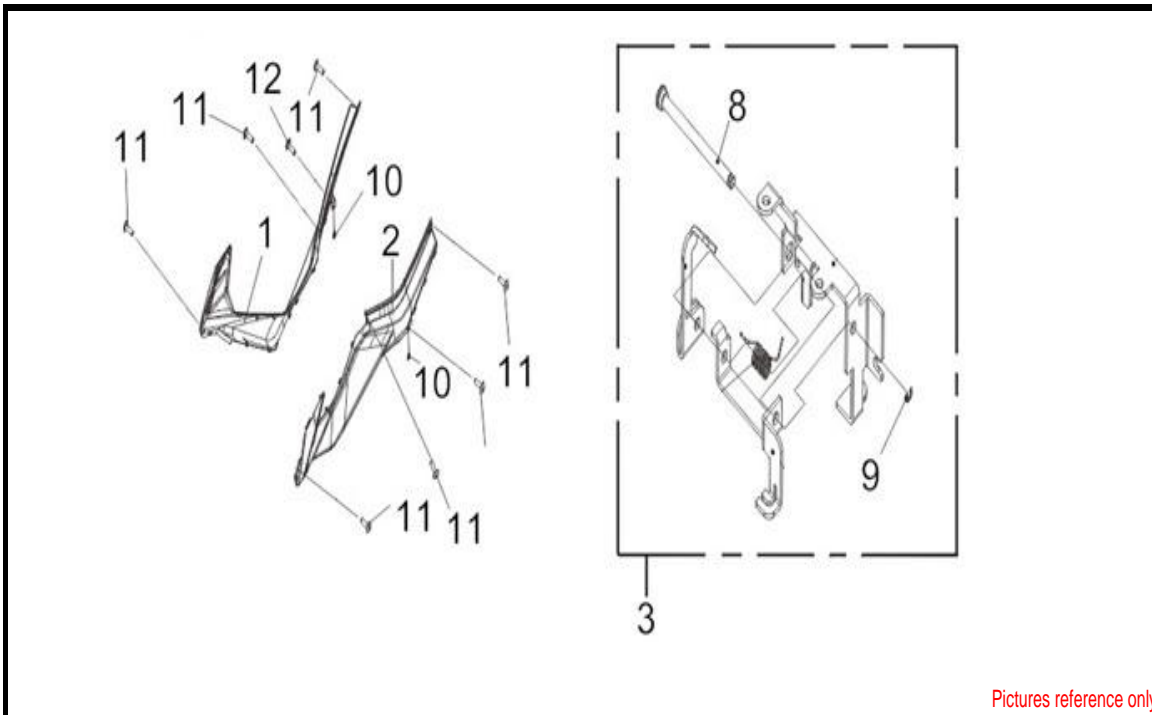
●Please check the color & stripe information according to the color index !



Pictures reference only

NO	PARTS NUMBER	DESCRIPTION	QTY	EFFECTIVE DATE
1	33700-LM1-000	TAIL LIGHT ASSY	1	
1.1	33705-LM1-000	TAIL LIGHT COMP(LENS+BASE)	1	
2	33706-LM1-000	TAIL LIGHT SOCKET COMP	1	
3	33707-LM1-000	TAIL LIGHT LED PCB COMP	1	
4	33604-LM1-000	RR. WINKER LED PCB COMP	1	
5	33654-LM1-000	RL. WINKER LED PCB COMP	1	

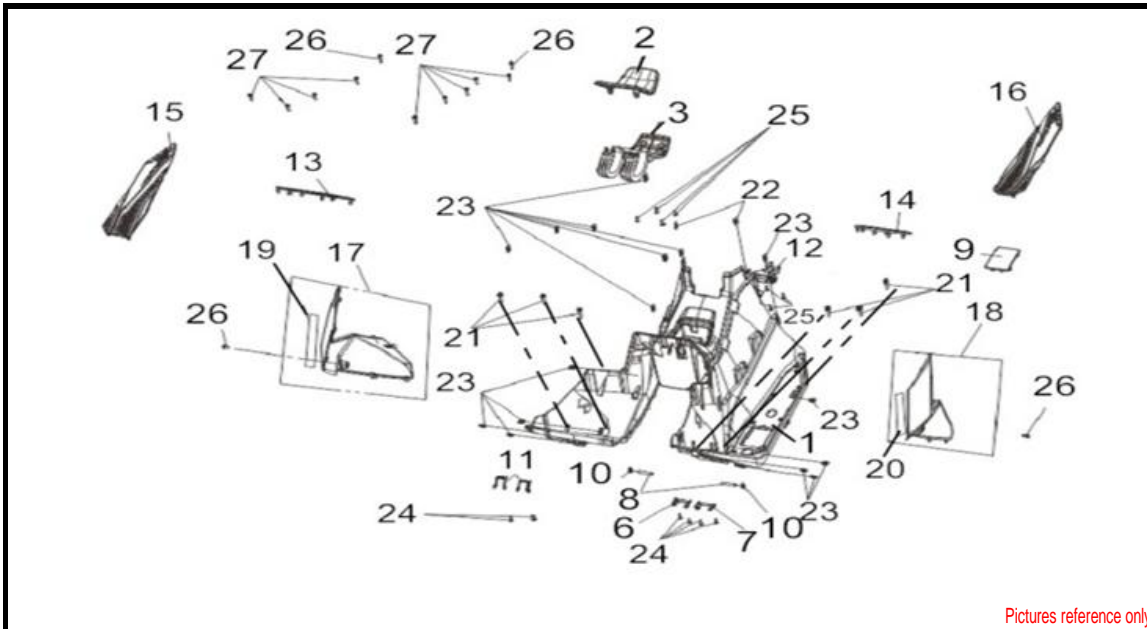
●Please check the color & stripe information according to the color index !



Pictures reference only

NO	PARTS NUMBER	DESCRIPTION	QTY	EFFECTIVE DATE
1	64315-LM1-000-JD	R. FLOOR SIDE COVER(BK-7C)	1	
1	64315-LM1-000-OK	R. FLOOR SIDE COVER(S-011U)	1	
2	64316-LM1-000-JD	L. FLOOR SIDE COVER(BK-7C)	1	
2	64316-LM1-000-OK	L. FLOOR SIDE COVER(S-011U)	1	
3	64320-LM1-000-H1	FUEL LID LOCK ASSY	1	
8	90105-LM1-000	FUEL LID LOCK HINGE	1	
9	90308-X04-000	SPECIAL NUT 5mm	1	
10	94540-04018	E RING 40	2	
11	93903-34380	TAPPING SCREW 4*12	6	
12	93903-45380	TAPPING SCREW 5*16	1	

●Please check the color & stripe information according to the color index !



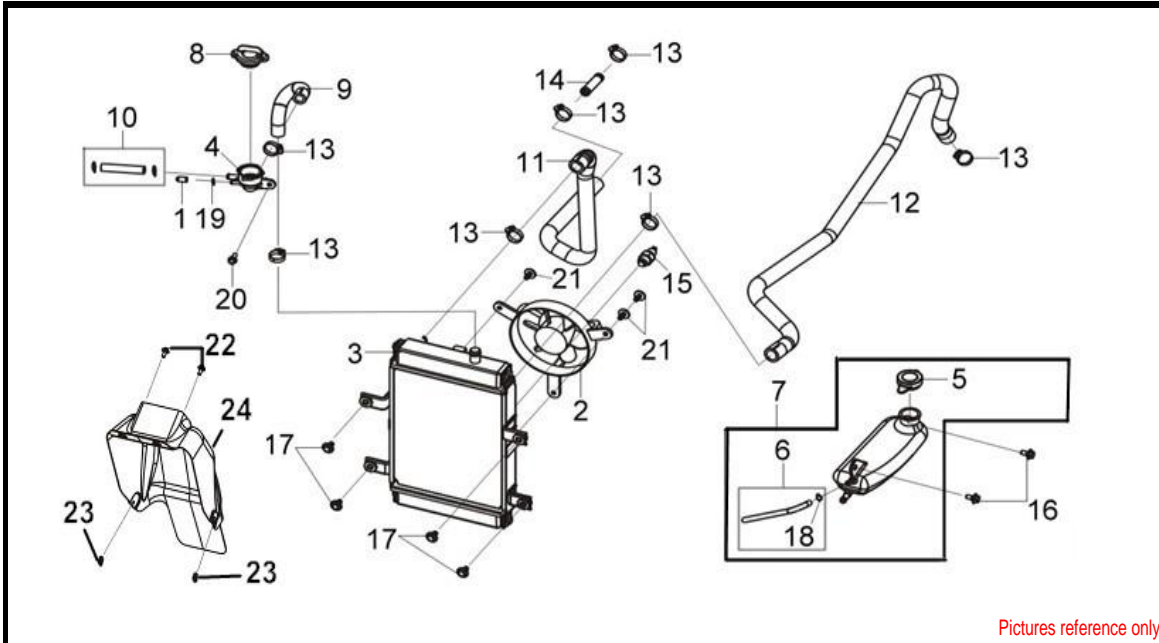
Pictures reference only

NO	PARTS NUMBER	DESCRIPTION	QTY	EFFECTIVE DATE
1	64310-LM1-000	FLOOR PANEL BK-001U	1	
2	64311-LM1-000	FUEL LID BK-001U	1	
3	64312-LM1-000	FLOOR LID STIFFENER (BK-001U)	1	
6	64315-L3A-000	R. LID HINGE STAY	1	
7	64316-L3A-000	L. LID HINGE STAY	1	
8	64317-L3A-000	LID HINGE PIN	2	
9	64318-L3A-000	RES. TANK LID	1	
10	64318-LM1-000	FUEL LID SPRING	2	
11	64319-LM1-000	FUEL STOP SPRING	2	
12	64320-LM1-000-H1	FUEL LID LOCK ASSY	1	
13	64321-LM1-000	R FLOOR MAT A (BK-001U)	1	
14	64322-LM1-000	L FLOOR MAT A (BK-001U)	1	
15	64323-LM1-000	R FLOOR MAT B (BK-001U)	1	
16	64324-LM1-000	L FLOOR MAT B (BK-001U)	1	
17	6431G-LM1-000-KB	R. FLOOR FAINING ASSY TYPE2 (BK-001C)	1	
18	6431H-LM1-000-KB	L. FLOOR FAINING ASSY TYPE2 (BK-001C)	1	
19	87131-LL1-000-T2	R MARK 250 STRIPE(53*9) TYPE2	1	
20	87132-LL1-000-T2	L MARK 250 STRIPE(55*9) TYPE2	1	
21	90111-HKD-900	FLANGE BOLT	6	
22	90302-M9Q-800	NUT SPRING 4mm	2	
23	90308-X04-000	SPECIAL NUT 5mm	16	
24	93903-34320	TAPPING SCREW 4*12	6	
25	93903-35280	TAPPING SCREW 5*12	7	
26	93903-44480	TAPPING SCREW 4*16	4	
27	93903-45380	TAPPING SCREW 5*16	9	

●Please check the color & stripe information according to the color index !

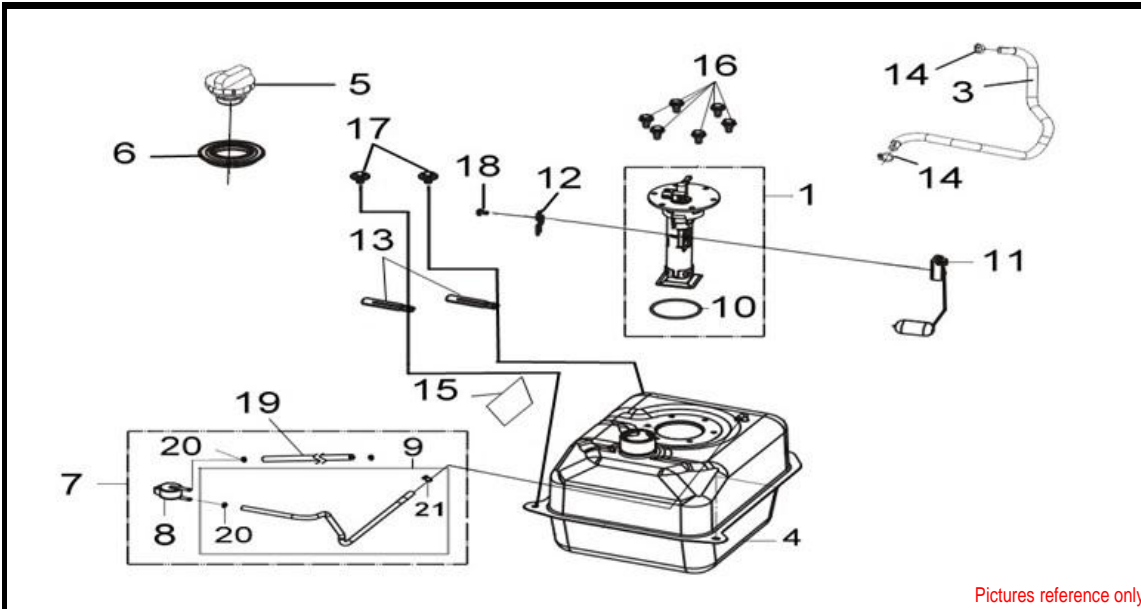
F24 RADIATOR

CRUISYM 300i



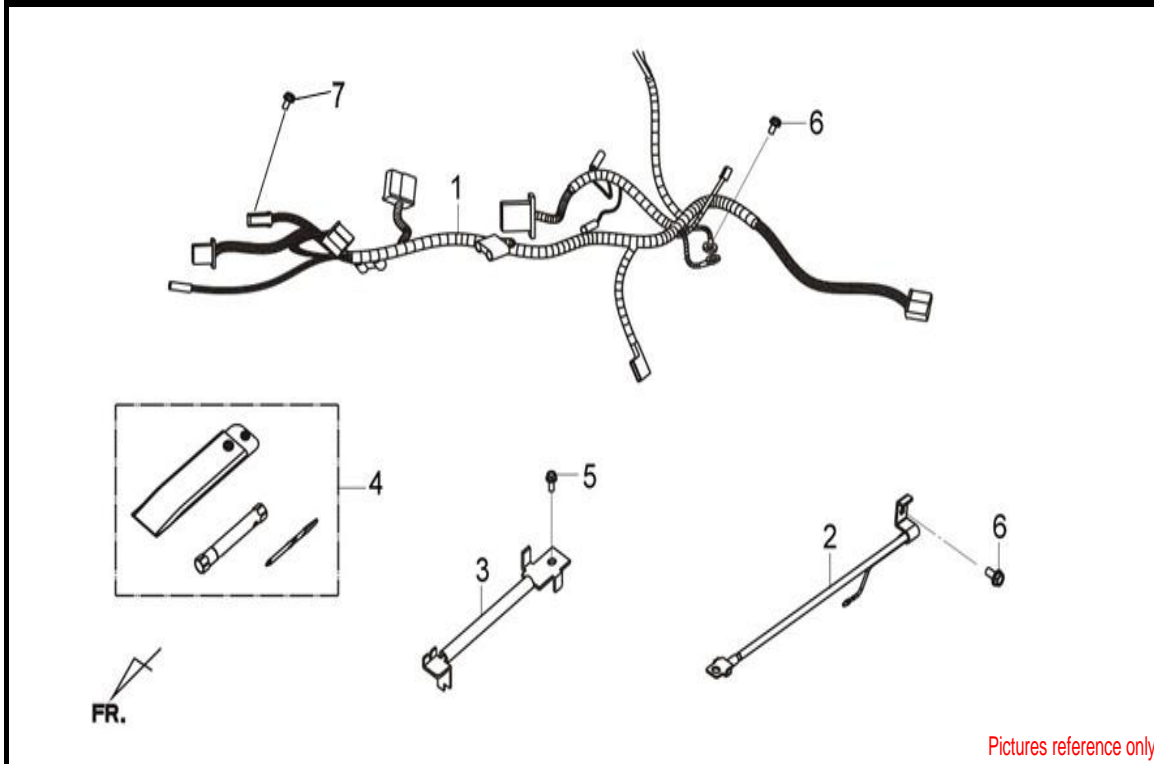
NO	PARTS NUMBER	DESCRIPTION	QTY	EFFECTIVE DATE
1	17236-FWA-000	TUBE PLUG	1	
2	19020-HMA-000	SHROUD ASSY. (MK=609)	1	
3	19010-L3A-000	RADIATOR COMP	1	
4	19039-LVA-000	FILLER NECK	1	
5	19104-M9Q-000	RESERVE TANK CAP	1	
6	19109-L3A-000	RESERVE TANK TUBE	1	
7	1910A-L3A-000	RESERVE TANK ASSY	1	
8	19111-H9A-000	RADIATOR FILLER CAP	1	
9	19125-LM1-000	RADIATOR HOSE A	1	
10	19126-L3A-000	RADIATOR HOSE B	1	
11	19501-L3A-000	RADIATOR INLET WATER HOSE	1	
12	19505-L3A-000	ENG. INLET WATER HOSE	1	
13	19505-KS6-700	WATER HOSE CLAMP A	7	
14	19509-HWA-000	WATER HOSE 2 WAY JOINT	1	
15	37760-HMA-000	THERMO. SW	1	
16	90111-M9Q-800	FLANGE BOLT 6mm	2	
17	93404-06020-08	WASHER BOLT 6*20	4	
18	95002-45000	CLIP ,C8,TUBE	1	
19	95002-40800-08	TUBE CLAMP D8.0	1	
20	95801-06012-08	FLANGE BOLT 6*12	1	
21	93405-06016-07	WASHER BOLT 6*16	3	
22	90111-GJ5-000	BOLT FLANGE 6mm	2	
23	90308-X04-000	SPECIAL NUT 5mm	2	
24	17508-LM1-000	FUEL TANK HEAT GUARD	1	

●Please check the color & stripe information according to the color index !



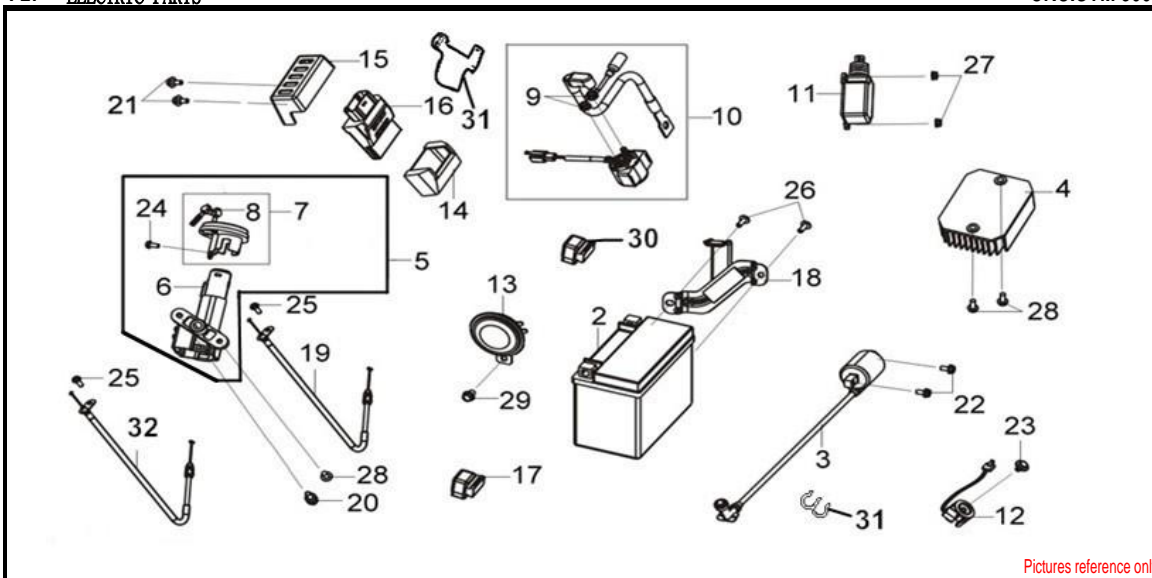
NO	PARTS NUMBER	DESCRIPTION	QTY	EFFECTIVE DATE
1	1670A-HWA-000	FUEL PUMP ASSY	1	
3	16730-L3A-000	FUEL TUBE	1	
4	17500-L3A-010	FUEL TANK	1	
5	1762A-LM2-000	FUEL CAP ASSY	1	
5.1	17620-LM2-000	FUEL FILLER CAP COMP	1	
5.2	17621-LM2-000	FUEL CAP COVER	1	
5.3	93600-03006-0G	FLAT SCREW 3*6	2	
6	17512-L3A-010	PACKING FILLER NECK	1	
7	17580-LA2-000	PACKING FILLER NECK	1	
8	17581-L32-000	FUEL CUT VALVE(SENTEC)	1	
9	17585-L3A-010	TANK-FCV TUBE	1	
10	37801-A5L-000	FUEL FILTER PACKING	1	
11	37800-L3A-010	FUEL UNIT COMP	1	
12	37804-LEA-000	FUEL UNIT STAY	1	
13	32162-H6T-000	CLIP 2 * 100	2	
14	19505-F81-000	HOSE CLAMP	2	
15	83619-F8A-300	SOLID RUBBER	1	
16	90106-LEA-000	FUEL PUMP BOLT	6	
17	93404-06012-07	WASHER BOLT 6*12	2	
18	93903-HGC-000	TAPPING SCREW	1	
19	95001-45220-40	FUEL TUBE 4.5*220	1	
20	95002-02080	TUBE CLIP B8	3	
21	95002-50000	TUBE CLIP C9 5mm	1	

●Please check the color & stripe information according to the color index !



NO	PARTS NUMBER	DESCRIPTION	QTY	EFFECTIVE DATE	
1	32100-LM1-000	WIRE HARNESS	1		
2	32412-L3A-100	EARTH CABLE B	1		
3	32415-LEA-000	EARTH CABLE B	1		
4	89010-M92-000	TOOL SET	1		
5	90110-FYA-000	FLANGE BOLT 6*14	1		
6	95801-06012-07	FLANGE BOLT 6*12	1		

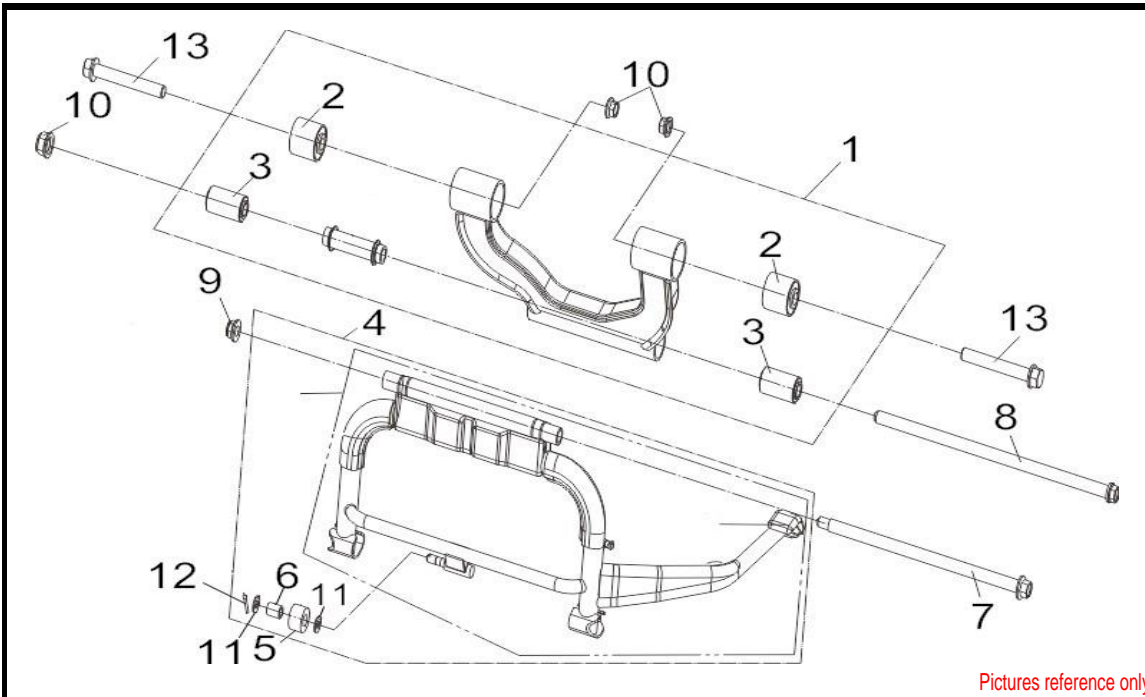
●Please check the color & stripe information according to the color index !



Pictures reference only

NO	PARTS NUMBER	DESCRIPTION	QTY	EFFECTIVE DATE
2	31500-BAB-000-P	BATTERY ASSY(GT12A-BS)	1	
3	3051A-L3A-000	IGN. COIL ASSY	1	
4	31600-L3A-000	REG. REC ASSY.	1	
5	35010-LM1-0002-TW	KEY SET (NO CABLE)	1	
6	35100-LM1-000-TW3	COMB. LOCK SW. ASSY(NO CABLE&SHUTTER)	1	
7	35110-FSA-000(B01~B20)	SHUTTER COMP	1	
8	35111-LM1-000(B01~B20)	KEY COMP	1	
9	35859-M9Q-000	MAG. SW. NUT	2	
10	3585A-L3A-000	START MAG. SW. ASSY	1	
11	35880-HMB-000	LINER MOTOR ASSY.	1	
12	36500-HMA-000-A6	SIDE STAND SW COMP	1	
13	38110-L3A-000	HORN COMP	1	
14	38700-L4A-900	ECU SUSPENSION	1	
15	38701-L3A-000	ECU COVER	1	
16	38700-L4A-900 / 38710-LHF-000-26	ECU SUSPENSION	1	
17	38800-H5B-000	ELECTRIC RELAY UNIT	1	
18	50324-L3A-000	BATTERY BAND	1	
19	77240-LM1-000	SEAT LOCK CABLE	1	
20	96001-06016-00	FLANGE BOLT SH 6*16	1	
21	90111-N01-000	FLANGE BOLT 6mm	2	
22	90112-M9Q-000	FLANGE BOLT 5*22	2	
23	93404-06016-07	BOLT WASHER 6*16	1	
24	93891-05008-08	WASHER SCREW 5*8	1	
25	93892-05012-08	WASHER SCREW 5*12	1	
26	93903-45380	TAPPING SCREW 5*16	2	
27	94050-06080	FLANGE NUT 6mm	2	
28	90085-HHA-900	SELF LOCKING BOLT 6*16	1	
29	95801-08012-08	FLANGE BOLT 8*12	1	
30	3850A-HLA-100-A2	ELEC. RELAY ASSY.(MK=626)	1	
31	80104-LM1-000	R. SPLASH BOARD PLATE	1	
32	77245-LM1-000	FUEL LID LOCK CABLE	1	

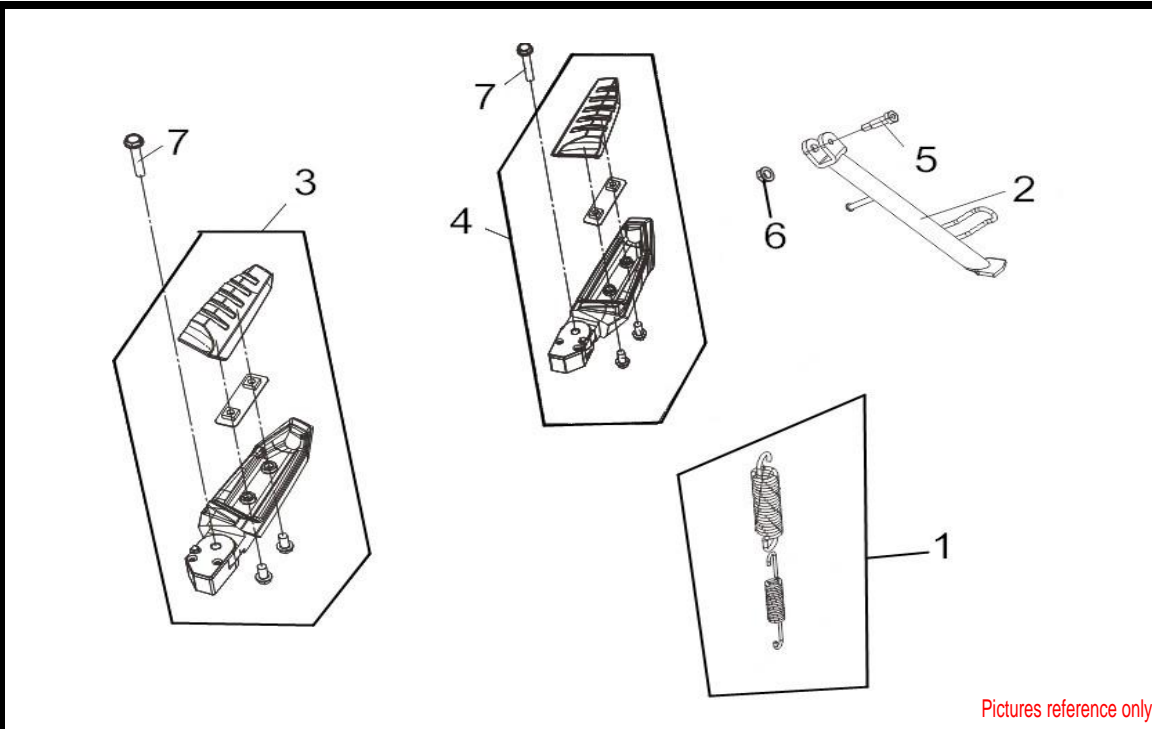
●Please check the color & stripe information according to the color index !



Pictures reference only

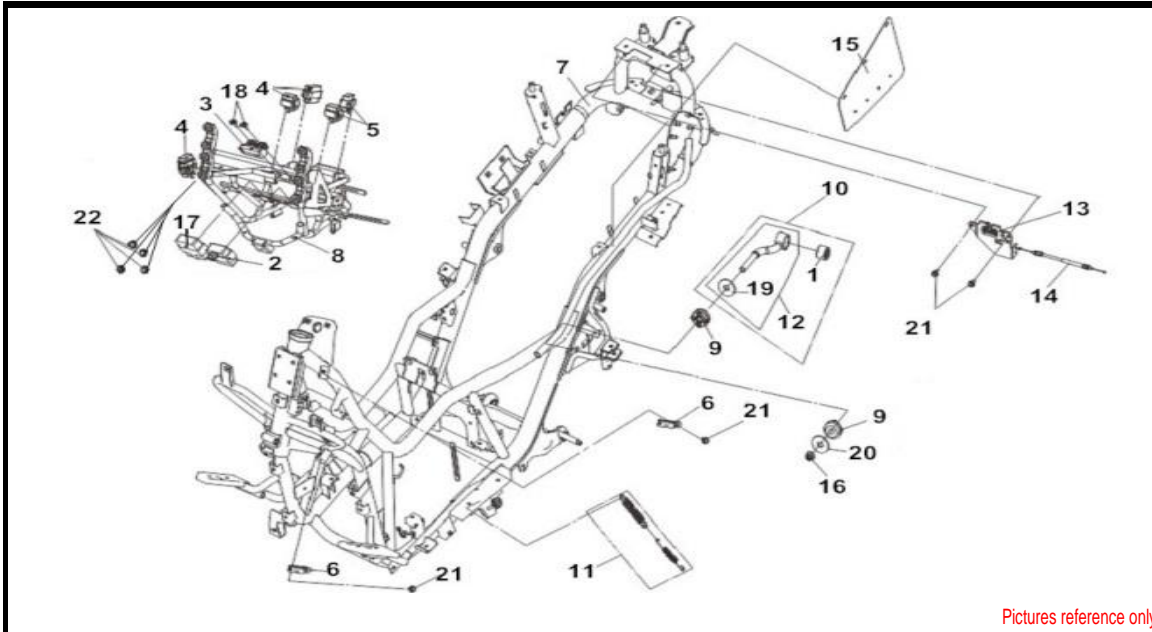
NO	PARTS NUMBER	DESCRIPTION	QTY	EFFECTIVE DATE
1	50350-L3A-000	ENG. HANGER LINK ASSY	1	
2	50353-HHA-000	SWING LOCK BUSH	2	
3	50357-HMA-000	ENG. HANGER BUSH	2	
4	5050A-LM1-000	MAIN STAND ASSY.	1	
5	50505-H3A-000	STAND STOPPER RUBBER	1	
6	50506-H3A-000	STOP RUBBER COLLAR	1	
7	50512-H6B-000	MAIN STAND PIVOT BOLT	1	
8	90107-L3A-000	FLANGE BOLT 12*268	1	
9	90304-M9Q-000	NUT U FLANGE 10mm	1	
10	90306-M9Q-000	SELF LOCK NUT 12mm	3	
11	94102-08800	PLAIN WASHER 8mm	2	
12	94201-25200	PIN SPLIT 2.5*20	1	
13	95801-12095-07	FLANGE BOLT 12*95	2	

●Please check the color & stripe information according to the color index !



NO	PARTS NUMBER	DESCRIPTION	QTY	EFFECTIVE DATE
1	5052A-L3A-020	MAIN STAND SPG.ASSY	1	
2	50530-HMA-100	SIDE STAND COMP	1	
3	5071A-L3A-000-IE	R. STEP BAR SET(GY-820)	1	
4	5071B-L3A-000-IE	L. STEP BAR SET(GY-820)	1	
5	90108-HMA-000	SIDE STAND PIVOT SCREW	1	
6	94030-08080	HEX NUT 8mm	1	
7	95801-06035-07	FLANGE BOLT 6*35	2	

●Please check the color & stripe information according to the color index !



Pictures reference only

NO	PARTS NUMBER	DESCRIPTION	QTY	EFFECTIVE DATE
1	11102-H9A-300	ENG. HANGER RUB. BUSH	1	
2	3043A-REA-000	BATTERY OPEN CONTROL ASSY	1	
3	36100-MMA-100-A1	ROLL OVER SENSOR ASSY (MK=640)	1	
4	3850A-HLA-100-A2	ELEC. RELAY ASSY.(MK=626)	3	
5	3850A-M8Q-000	ELEC RELAY ASSY	2	
6	45156-HMA-000	BRAKE HOSE CLAMP	2	
7	5010N-LM1-000	FRAME BODY COMP SET (BK-001C)	1	
8	50315-LM1-000	FR. COVER STAY	1	
9	50352-L3A-000	STOPPER RUBBER	2	
10	50380-L3A-010	TENSION ROD ASSY.	1	
11	5053A-HMA-000	SIDE STAND SPRING ASSY.	1	
12	50381-L3A-010	TENSION ROD	1	
13	77230-LM1-000	SEAT CATCH ASSY.	1	
14	77241-L3A-000	SEAT LOCK CABLE B	1	
15	80103-HMA-000	L. SPLASH BOARD PLATE	1	
16	90304-M9Q-800	FLANGE U NUT 10mm	1	
17	3872A-LM1-000	HAZARD CONTROL UNIT ASSY.	1	
18	93894-04022-08	WASHER SCREW 4*22	2	
19	94103-L2A-000	PLAIN WASHER 12mm	1	
20	94103-L3A-000	PLAIN WASHER 12mm	1	
21	95801-06012-08	FLANGE BOLT 6*12	4	
22	95801-08018-07	FLANGE BOLT 8*18	4	

●Please check the color & stripe information according to the color index !