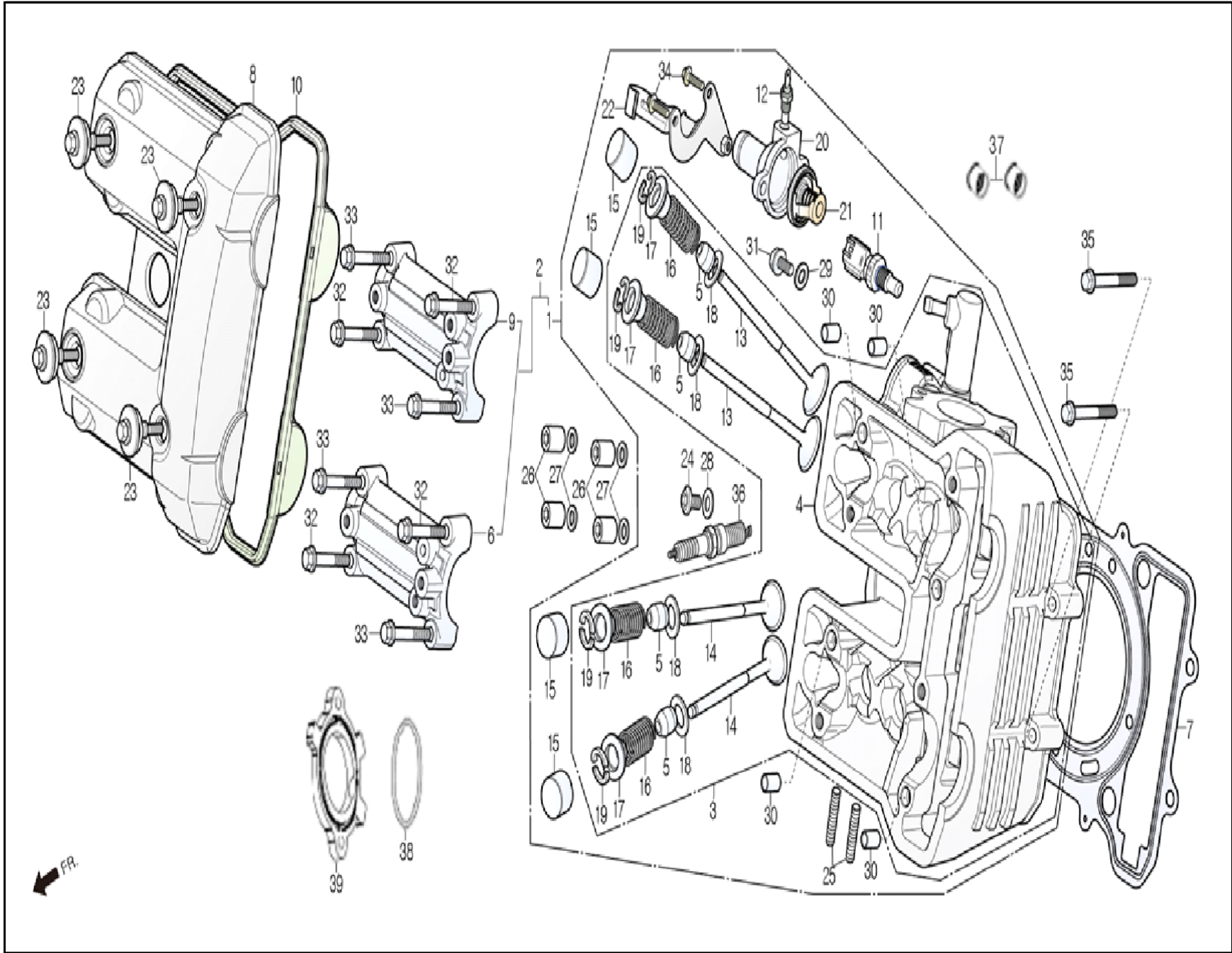


E-01 CYLINDER HEAD

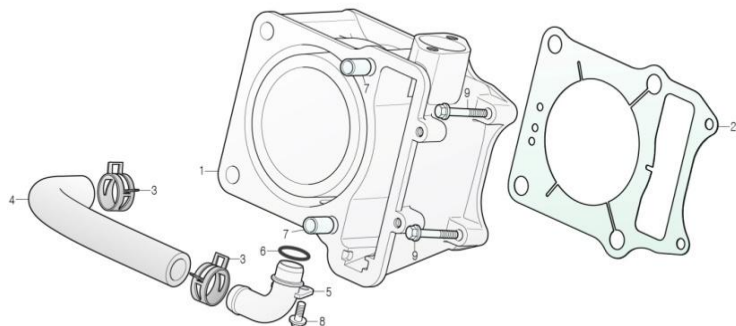
DRACO

NO	PART NO	PART NAME	NO	PART NO	PART NAME
			21	100072761	THERMOSTAT ASS'Y
1	/	HEAD SUB ASS'Y, CYLINDER	22	100081323	STAY COMP., IGNITION COIL
2	100072820-0001	HEAD SET, CYLINDER	23	无编码拆分为下两项	BOLT ASS'Y, SPECIAL, 6x24
3	/	HEAD ASS'Y, CYLINDER		100081322-0001	COVER FASTENING BOLT
4	100072819-0001	HEAD COMP., CYLINDER		100081321	BOLTED SEALING PAD
5	100072818	SEAL, VALVE STEM	24	100077338	BOLT, SOCKET, 10mm
6	100072780	HOLDER, FR.CAM SHAFT	25	100077337	BOLT, STUD, 8x35
7	100072683	GASKET, CYLINDER HEAD	26	100072661	NUT, SPECIAL, 10mm
8	100072774-0002	COVER, CYLINDER HEAD	27	100072827	WASHER, THRUST, 10mm
9	100072779	HOLDER, RR.CAM SHAFT	28	100072830	WASHER, SEALING, 10mm
10	100072773	GASKET, CYLINDER HEAD COVER	29	100084678	WASHER, SEALING, 6.5mm
11	100072744	SENSOR, ENGINE TEMP.	30	100101210	PIN, DOWEL, 8x12
12	100072745	UNIT, WATER TEMP.GAUGE	31	100011260-0005	BOLT, FLANGE, 6x10
13	100072817	VALVE, INLET	32	100011271-0003	BOLT, FLANGE, 6x35
14	100072816	VALVE, EXHAUST	33	100011273-0003	BOLT, FLANGE, 6x40
15	100072781	LIFT, VALVE	34	100055588-0006	BOLT, FLANGE, SH.6x18
16	100072815	SPRING, VALVE	35	100011538-0003	BOLT, FLANGE, SH.6x40
17	100072784	RETAINER, VALVE SPRING	36	100072763	PLUG, SPARK, CR9EH-9
18	100072783	SEAT, VALVE SPRING	37	100715785	rubber cover
19	100072782	COTTER, VALVE	38	100076572	O_Ring,φ43×2
20	100072762-0001	CAP, THERMOSTAT	39	100077332	Insulator Inlet Pipe



E-02 CYLINDER

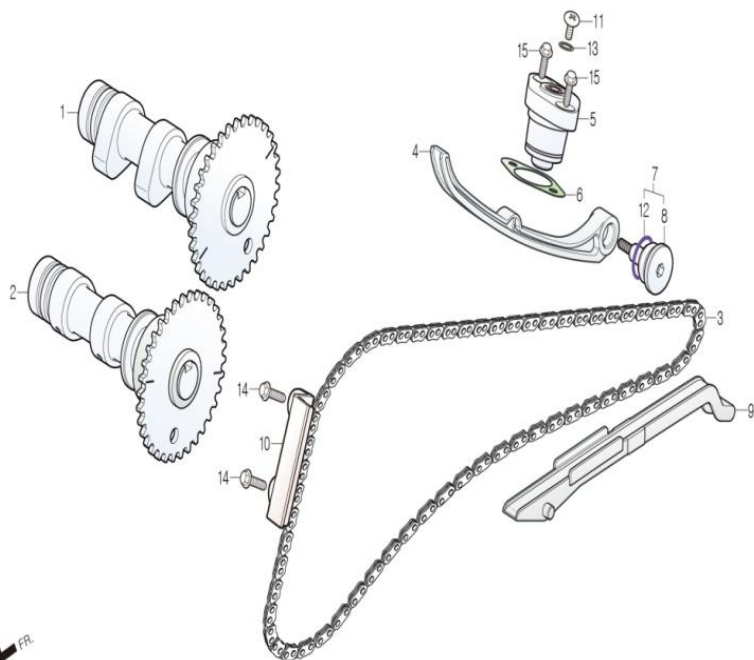
DRACO



NO	PART NO	PART NAME
1	100072775-0002	CYLINDER COMP.
2	100714965	GASKET, CYLINDER
3	100072792	CLIP C23, TUBE
4	100072791	HOSE, WATER INLET
5	100072790	JOINT B, WATER HOSE
6	100072742	O-RING 17x3
7	100098556	PIN, DOWEL, 12x16
8	100055590-0003	BOLT, FLANGE, SH.6x14
9	100011537-0002	BOLT, FLANGE, SH.6x35

E-03 CAM SHAFT TENSIONER

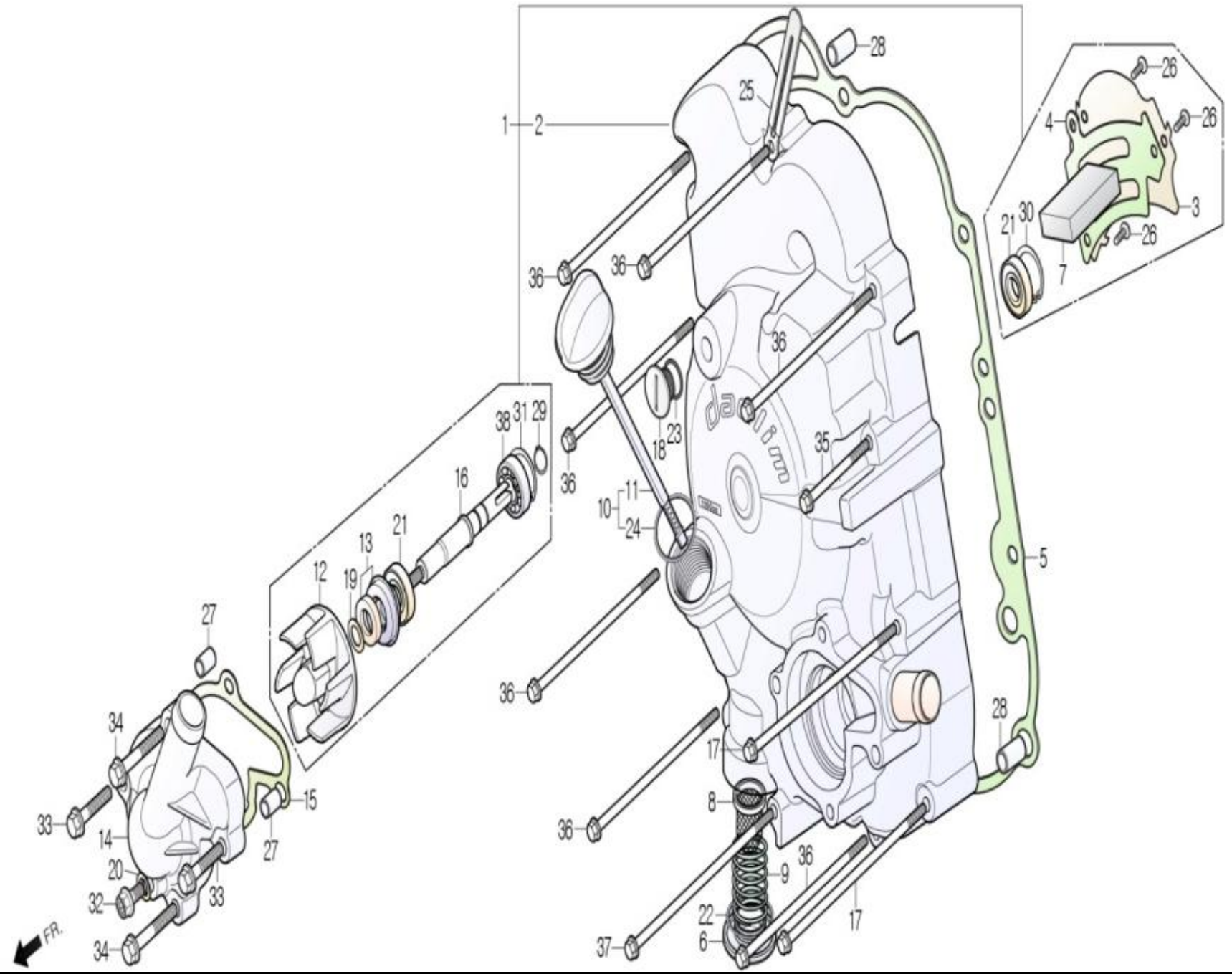
DRACO



NO	PART NO	PART NAME
1	100072777	SHAFT COMP., IN.CAM
2	100072776	SHAFT COMP., EX.CAM
3	100072760	CHAIN,CAM(128L)
4	100072759	TENSIONER, CAM CHAIN
5	100072758	LIFTER ASS'Y, TENSIONER
6	100714966	GASKET, TENSIONER LIFTER
7	无单独编码	PIVOT ASS'Y, CHAIN TENSIONER
8	100072757	PIVOT, CAM CHAIN TENSIONER
9	100072756	GUIDE, CAM CHAIN
10	100072755	GUIDE B, CAM CHAIN
11	无单独编码	SCREW, PAN, 6x6
12	100072747	O-RING 23.2x1.5
13	100072741	O-RING 9.5x1.5
14	100011264-0003	BOLT, FLANGE, 6x16
15	100055589-0006	BOLT, FLANGE, SH.6x16

E-04 RIGHT CRANK CASE C**DRACO**

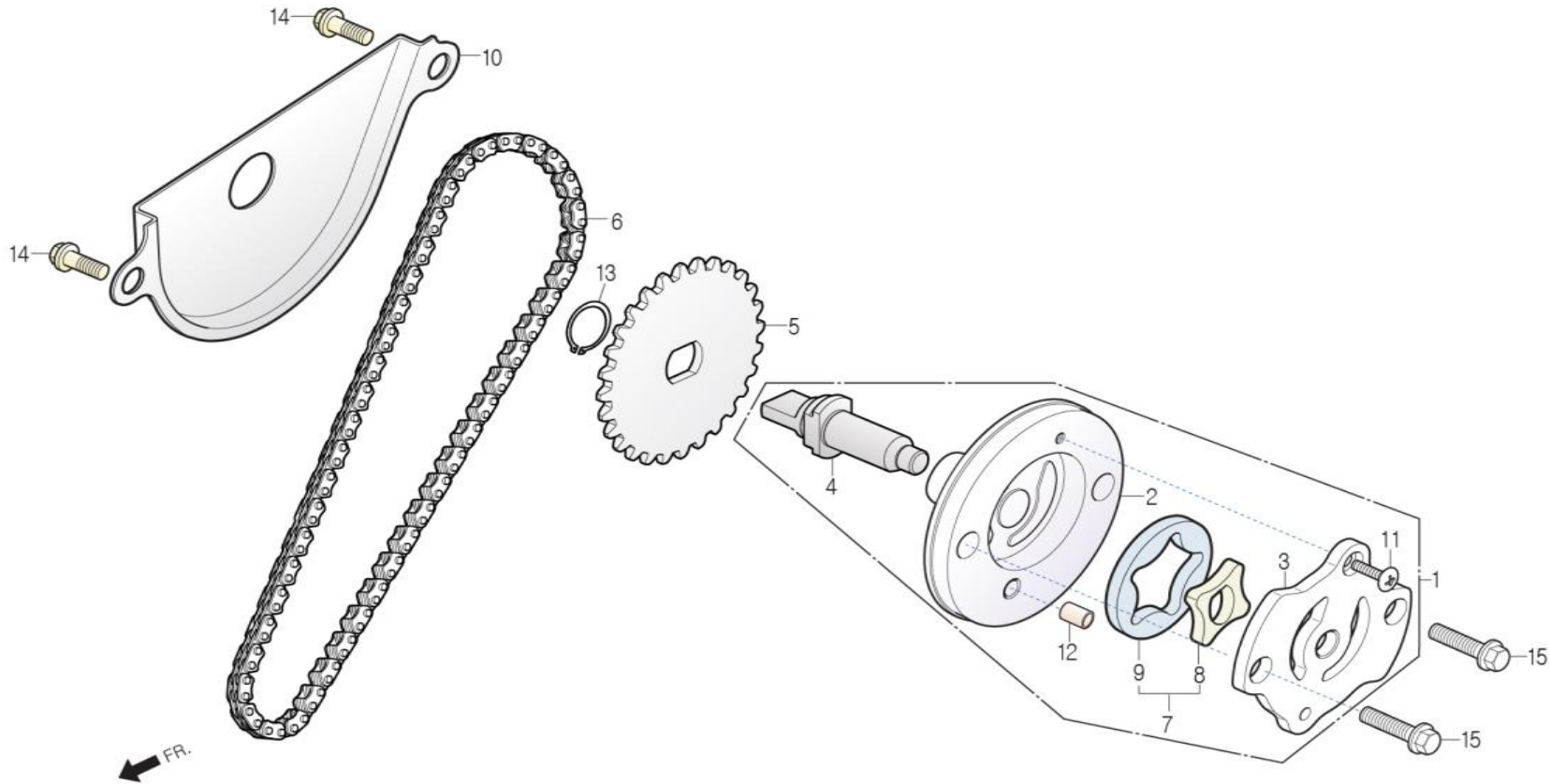
NO	PART NO	PART NAME	NO	PART NO	PART NAME
1	无总成编码	COVER ASS'Y, RH.CRANK CASE	21	100081326	OIL SEAL 14x22x5
2	100072706-0017	COVER COMP., RH.CRANK CASE	22	100072740	O-RING 30.8mm
3	100072704	PLATE, OIL SEPARATOR	23	100138362	O-Ring, ϕ 13.2x2.65
4	100714964	GASKET, OIL SEPARATOR PLATE	24	100031604	O-RING 18x3
5	100714970	GASKET, RH.CRANK CASE COVER	25	100072663	CLIP 2x90
6	100072772-0001	HOLE CAP, TAPPET ADJUSTING	26	100031865-0003	SCREW, TAPPING, 4x8
7	100072702	ELEMENT, OIL SEPARATOR	27	100101210	PIN, DOWEL, 8x12
8	100072843	SCREEN, OIL FILTER	28	100010558	PIN, DOWEL, 10x16
9	100072842	SPRING, OIL FILTER SCREEN	29	100011095	CIR CLIP, EXTERNAL, 12mm
10	100072841	GAUGE ASS'Y, OIL LEVEL	30	100032995	CIR CLIP, INTERNAL, 22mm
11	无单独编码	GAUGE, OIL LEVEL	31	100011078	CIR CLIP, INTERNAL, 28mm
12	100072700	IMPELLER, WATER PUMP	32	100011260-0005	BOLT, FLANGE, 6x10
13	100072699	SEAL, MECHANICAL	33	100011534-0002	BOLT, FLANGE, SH.6x25
14	100072794-0003	COVER, WATER PUMP	34	100031957-0007	BOLT, FLANGE, SH.6x32
15	100714967	GASKET, WATER PUMP COVER	35	100031958-0007	BOLT, FLANGE, SH.6x55
16	100072824	SHAFT, WATER PUMP	36	100033093-0003	BOLT, FLANGE, SH.6x130
17	100077380-0001	BOLT, SPECIAL, 6x150	37	100077379-0001	BOLT, FLANGE, SH.6x145
18	100103059-0012	CAP, AC GENERATOR	38	100010667	BEARING, RADIAL BALL, 6001
19	100072831	WASHER 7.5x13x1.2	39	100716114	Oil Seal 14x22x5.5
20	100072828	WASHER ϕ 6.5x1.2x ϕ 12			



E-05 OIL PUMP

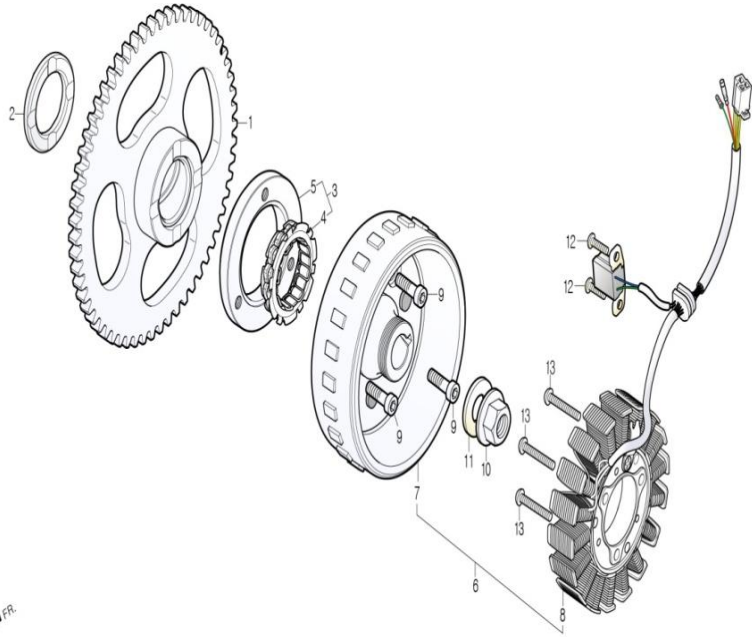
DRACO

NO	PART NO	PART NAME	NO	PART NO	PART NAME
1	100072754	PUMP ASS'Y, OIL	9	无单独编码	ROTOR, OIL PUMP OUTER
2	无单独编码	BODY, OIL PUMP	10	100072840	SEPARATOR, OIL
3	无单独编码	PLATE, OIL PUMP	11	无单独编码	SCREW, PAN, 3x10
4	无单独编码	SHAFT, OIL PUMP	12	无单独编码	PIN, DOWEL, 4x6.5
5	100072753	SPROCKET, OIL PUMP DRIVEN	13	100011094	CIR CLIP, EXTERNAL, 10mm
6	100072844	CHAIN, OIL PUMP	14	100055591-0006	BOLT, FLANGE, SH.6x12
7	无单独编码	ROTOR ASS'Y, OIL PUMP	15	100055587-0006	BOLT, FLANGE, SH.6x28
8	无单独编码	ROTOR, OIL PUMP INNER			



E-06 GENERATOR

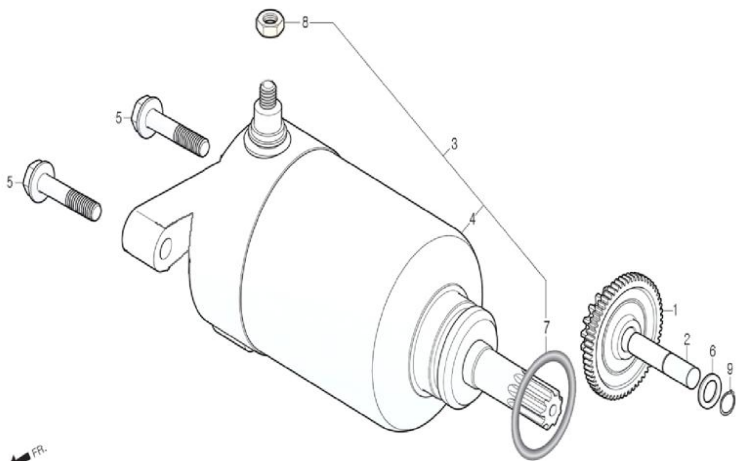
DRACO



NO	PART NO	PART NAME
1	100072657	GEAR COMP., START DRIVEN
2	100072658	COLLAR, STARTER DRIVEN GEAR
3	100072673	CLUTCH ASS'Y, START ONEWAY
4	无单独编码	CLUTCH, ONEWAY
5	无单独编码	OUTER, STARTING CLUTCH
6	无总成编码	GENERATOR ASS'Y, A.C.
7	100072674	FLYWHEEL COMP.
8	100716364-0001	STATOR COMP.
9	100072670	BOLT, SOCKET, 8x18
10	100072660	NUT, LOCK, 16mm
11	100073156	WASHER, THRUST, 16mm
12	100010955-0001	SCREW, PAN, 5x16
13	100010958-0001	SCREW, PAN, 5x30

E-07 STATER MOTOR

DRACO

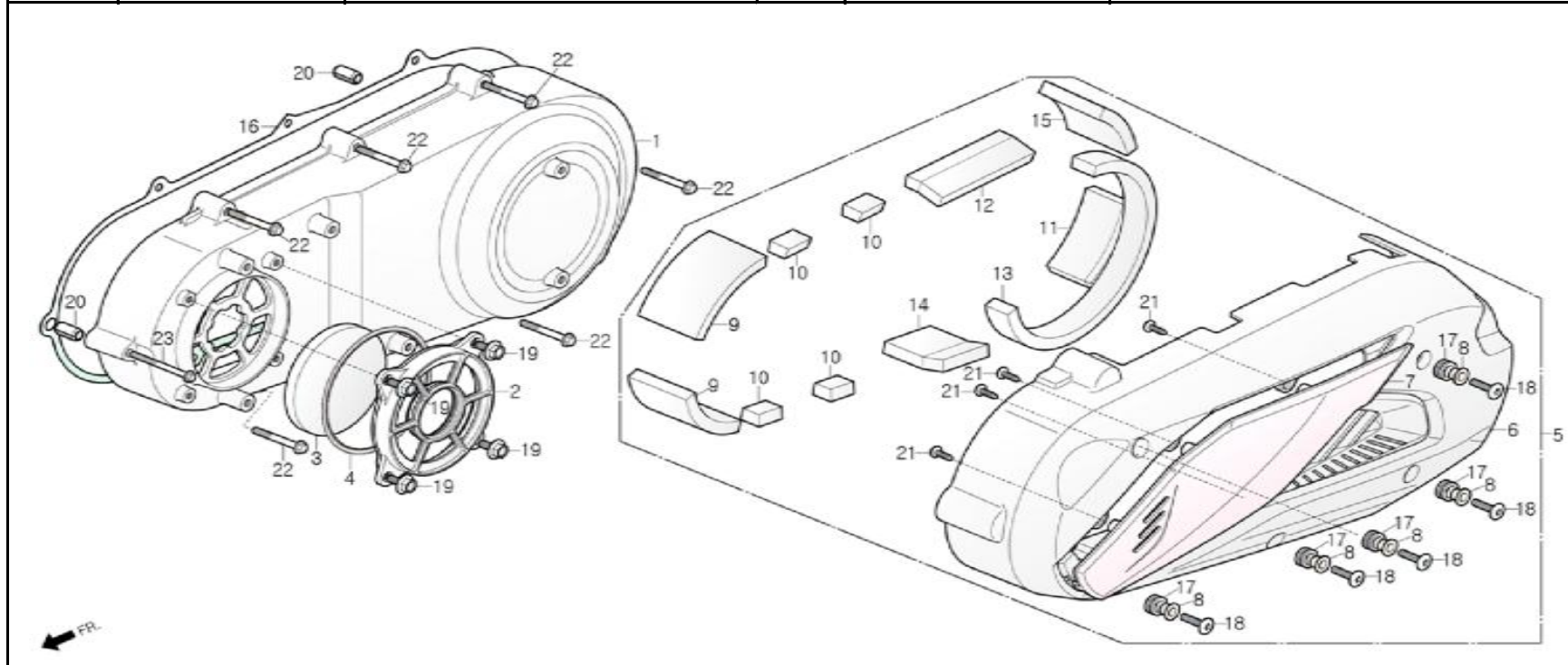


NO	PART NO	PART NAME
1	100072655	GEAR, STARTER REDUCTION
2	100072656	SHAFT, REDUCTION GEAR
3	无编码	MOTOR ASS'Y, START
4	100072666-0001	MOTOR UNIT, STARTER
5	100077335	BOLT, FLANGE, 6x28
6	100073157	WASHER, THRUST, 12mm
7	无单独编码	O-RING 24.4x3.1
8	100011452-0003	NUT, HEX, 6mm(Y)
9	100011095	CIR CLIP, EXTERNAL, 12mm
10	100011095	CIR CLIP, EXTERNAL, 12mm

E-08 LEFT CRANK CASE COVER

DRACO

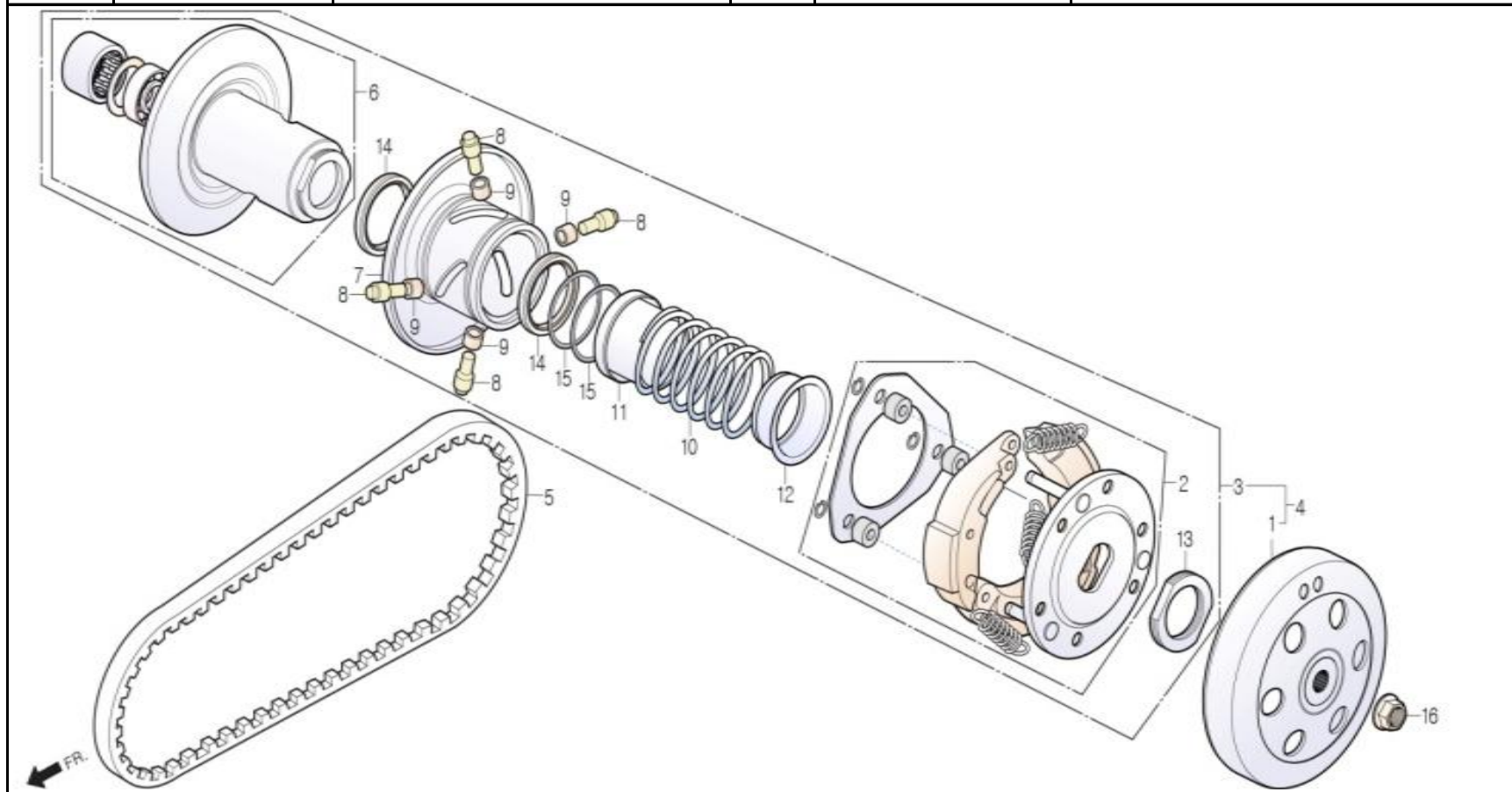
NO	PART NO	PART NAME	NO	PART NO	PART NAME
1	100072705-0002	COVER, LH. CRANK CASE	13	无单独编码	MAT E, CVT UPPER COVER
2	100072823	COVER, CVT DUST	14	无单独编码	MAT F, CVT UPPER COVER
3	100072822	ELEMENT, CVT DUST COVER	15	无单独编码	MAT G, CVT UPPER COVER
4	100072746	SEAL, CVT DUST COVER	16	100714969	GASKET, LH.CRANKCASE COVER
5	100072821	COVER ASS'Y, CVT UPPER	17	无单独编码	RUBBER A, FUEL METER COVER SETTING
6	100127020	COVER A, CVT UPPER	18	100077336-0001	BOLT SPECIAL, 6x22(Black)
7	100127021	COVER B, CVT UPPER	19	100072672	BOLT, FLANGE, 6mm
8	无单独编码	COLLAR, CVT UPPER COVER	20	100077333	PIN, KNOCK(10x19)
9	无单独编码	MAT A, CVT UPPER COVER	21	/	SCREW, TAPPING, 5x12
10	无单独编码	MAT B, CVT UPPER COVER	22	100011538-0003	BOLT, FLANGE, SH.6x40
11	无单独编码	MAT C, CVT UPPER COVER	23	100011542-0001	BOLT, FLANGE, SH.6x60
12	无单独编码	MAT D, CVT UPPER COVER			



E-10 DRIVEN FACE

DRACO

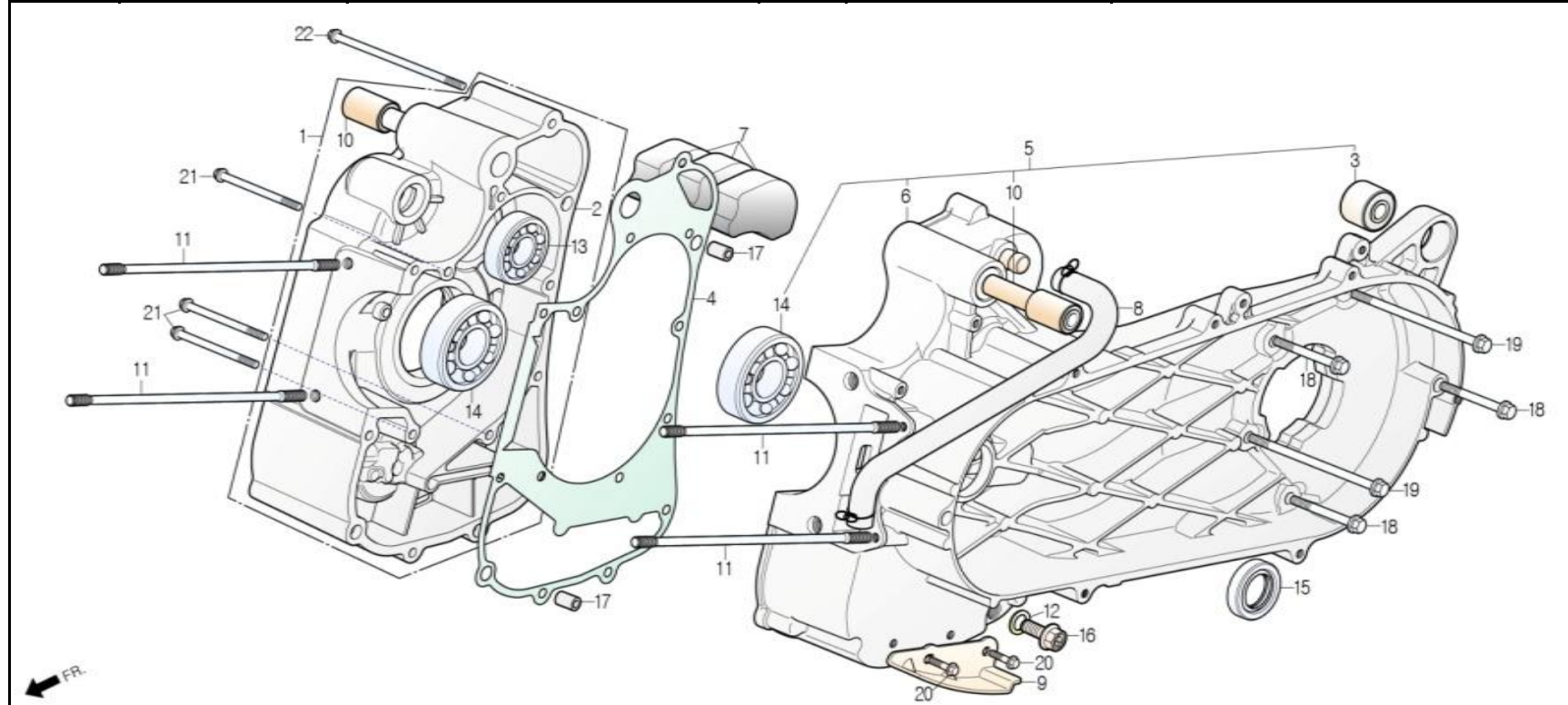
NO	PART NO	PART NAME	NO	PART NO	PART NAME
1	无单独编码	OUTER, CLUTCH	9	无单独编码	ROLLER, GUIDE
2	无单独编码	PLATE ASS'Y, DRIVE	10	无单独编码	SPRING, DRIVEN FACE
3	无单独编码	PULLEY SUB ASS'Y, DRIVEN	11	无单独编码	COLLAR, SEAL
4	100072678	PULLEY ASS'Y, DRIVEN	12	无单独编码	COLLAR, SPRING
5	100072679	BELT, DRIVE	13	无单独编码	NUT, SPECIAL, 28mm
6	无单独编码	FACE ASS'Y, DRIVEN	14	无单独编码	OIL SEAL, 34x39x3
7	无单独编码	FACE COMP., MOVABLE DRIVEN	15	无单独编码	O-RING 38.5x2
8	无单独编码	PIN, ROLLER GUIDE	16	100081324	NUT, FLANGE, 12mm



E-11 CRANK CASE

DRACO

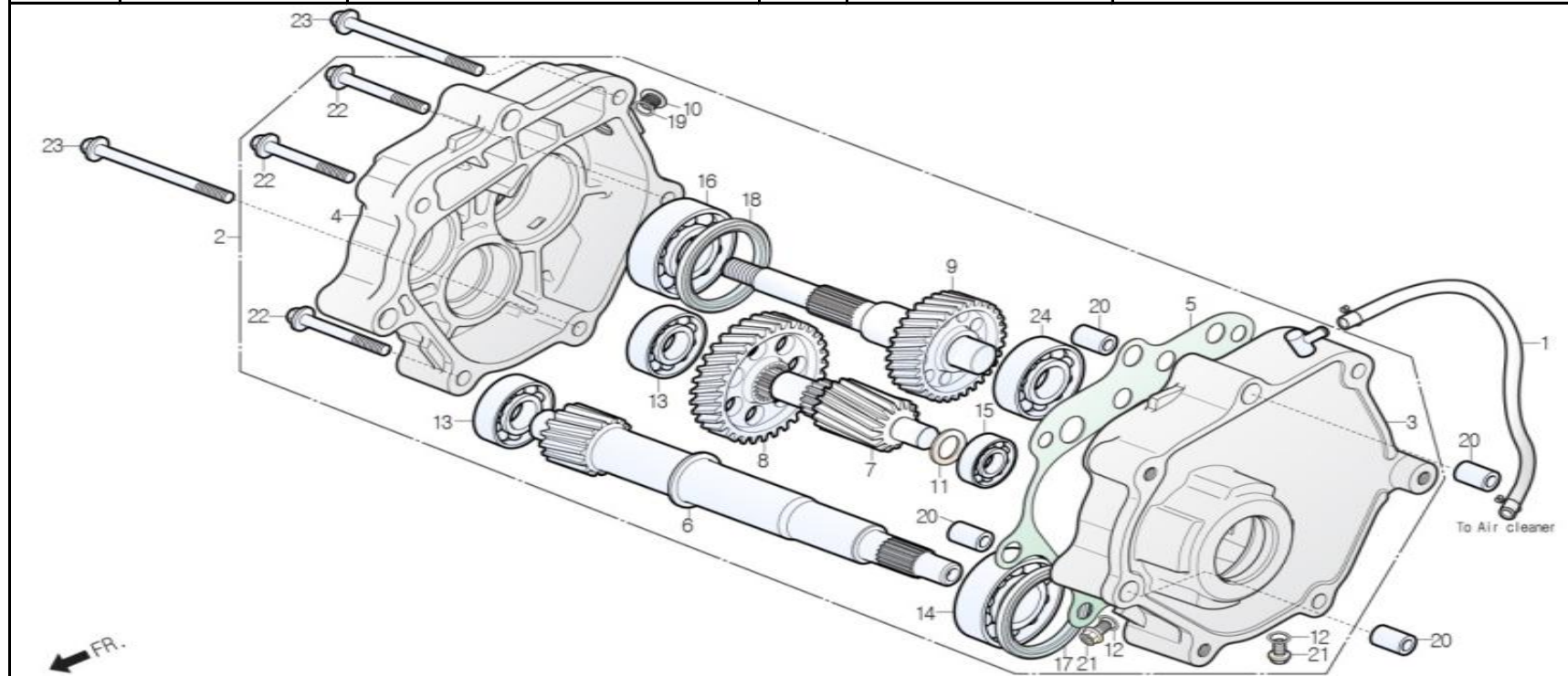
NO	PART NO	PART NAME	NO	PART NO	PART NAME
1	无编码	CASE ASS'Y, RH.CRANK	12	100073155	PACKING, DRAIN COCK, 12.5x20
2	100072615-0002	CASE COMP., RH.CRANK	13	100100991	BEARING, RADIAL BALL, 6204 TMB(NTN)
3	100072612	RUBBER BUSH, ENGINE HANGER	14	100715205	BEARING, RADIAL BALL, 6207
4	100714968	GASKET, CRANK CASE	15	100072838	OIL SEAL 30x42x7
5	无编码	CASE ASS'Y, LH.CRANK	16	100100331-0006	BOLT, DRAIN PLUG, 12mm
6	100072708-0002	CASE COMP., LH.CRANK	17	100010558	PIN, DOWEL, 10x16
7	100072701	ELEMENT, OIL BREATH	18	100081344-0001	BOLT, FLANGE, 8x35
8	100072839	TUBE ASS'Y, BREATHER	19	100081343-0001	BOLT, FLANGE, 8x80
9	100072668	STAY, MAIN STAND STOPPER	20	100055589-0004	BOLT, FLANGE, SH.6x16
10	100072614	BUSH A, ENGINE HANGER RUBBER	21	100031958-0007	BOLT, FLANGE, SH.6x55
11	100072671	BOLT, CYLINDER STUD	22	100031960-0007	BOLT, FLANGE, SH.6x80



E-12 TRANSMISSION

DRACO

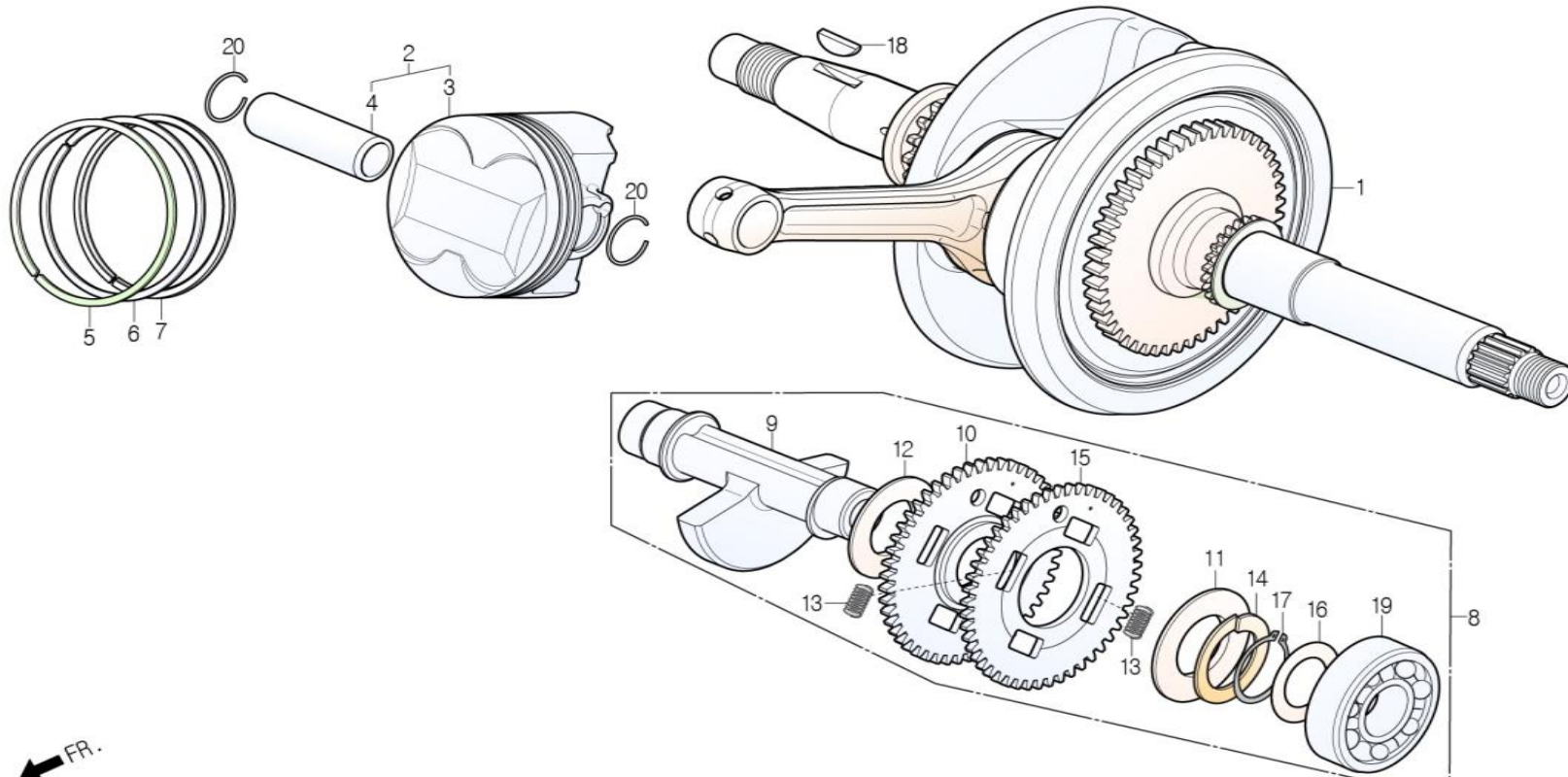
NO	PART NO	PART NAME	NO	PART NO	PART NAME
1	100072707	TUBE ASS'Y, BREATHER	13	100072691	BEARING, RADIAL BALL, 6302 TMB(NTN)
2	无编码	TRANSMISSION ASS'Y	14	100077339	BEARING, RADIAL BALL, 6222 TMB
3	100072789-0001	CASE COMP., TRANSMISSION	15	100072688	BEARING, BALL, 6301 TMB
4	100715186-0001	COVER, TRANSMISSION	16	100101189	BEARING, RADIAL BALL, 6205ZZ
5	100714971	GASKET, MISSION COVER	17	100072836	SEAL, OIL, 22x39x7(Helix)
6	100072787	SHAFT, DRIVE(14T)	18	100715188	SEAL, OIL, 34x52x7
7	100072786	SHAFT, COUNTER(14T)	19	100072748	O-RING 13.8x2.5
8	100072785	GEAR, COUNTER(38T)	20	100098556	PIN, DOWEL, 12x16
9	100072764	SHAFT COMP., FINAL(37T)	21	100011311-0005	BOLT, FLANGE, 8x16
10	100103059-0003	CAP, AC GENERATOR	22	100011331-0002	BOLT, FLANGE, 8x50
11	100073157	WASHER, THRUST, 12.2x1xφ18	23	100081342-0001	BOLT, FLANGE, 8x85
12	100072833	WASHER, DRAIN PLUG, 8.2x16.2	24	100100991	BEARING, RADIAL BALL, 6204



E-13 CRANK SHAFT / PISTON

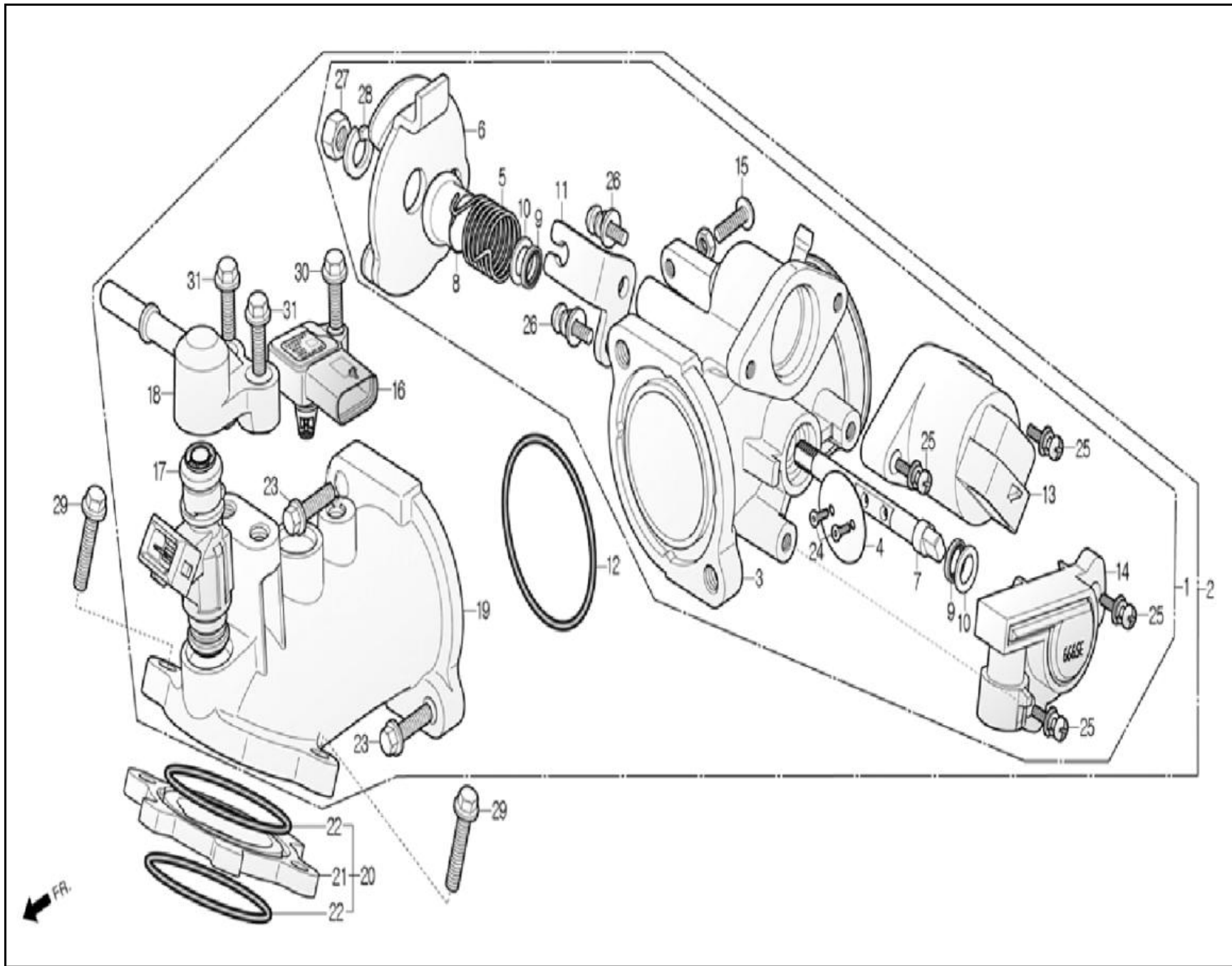
DRACO

NO	PART NO	PART NAME	NO	PART NO	PART NAME
1	100072771	SHAFT COMP., CRANK	11	100076361	PLATE, BALANCER GEAR SIDE
2	无总成编码	PISTON SET	12	100076362	PLATE, BALANCER GEAR SIDE
3	100072770	PISTON	13	100076363	SPRING, BALANCE GEAR
4	100072769	PIN, PISTON	14	100076364	WASHER, SPRING
5	100072768	RING, PISTON TOP	15	100072952	SUB GEAR, BALANCER DRIVEN
6	100072767	RING, PISTON 2nd	16	100076365	WASHER, THRUST, 20mm
7	100072766	RING, PISTON OIL	17	100076366	SET RING 20mm
8	100072765	BALANCER ASS'Y, CRANK	18	100072845	KEY, WOODRUFF, 25x14x4
9	100076360	BALANCER, CRANK	19	100100991	BEARING, RADIAL BALL 6204, TMB(NTN)
10	100072953	GEAR, BALANCER DRIVEN	20	100072750	CLIP, PISTON PIN, 17mm



E-14 THROTTLE BODY**DRACO**

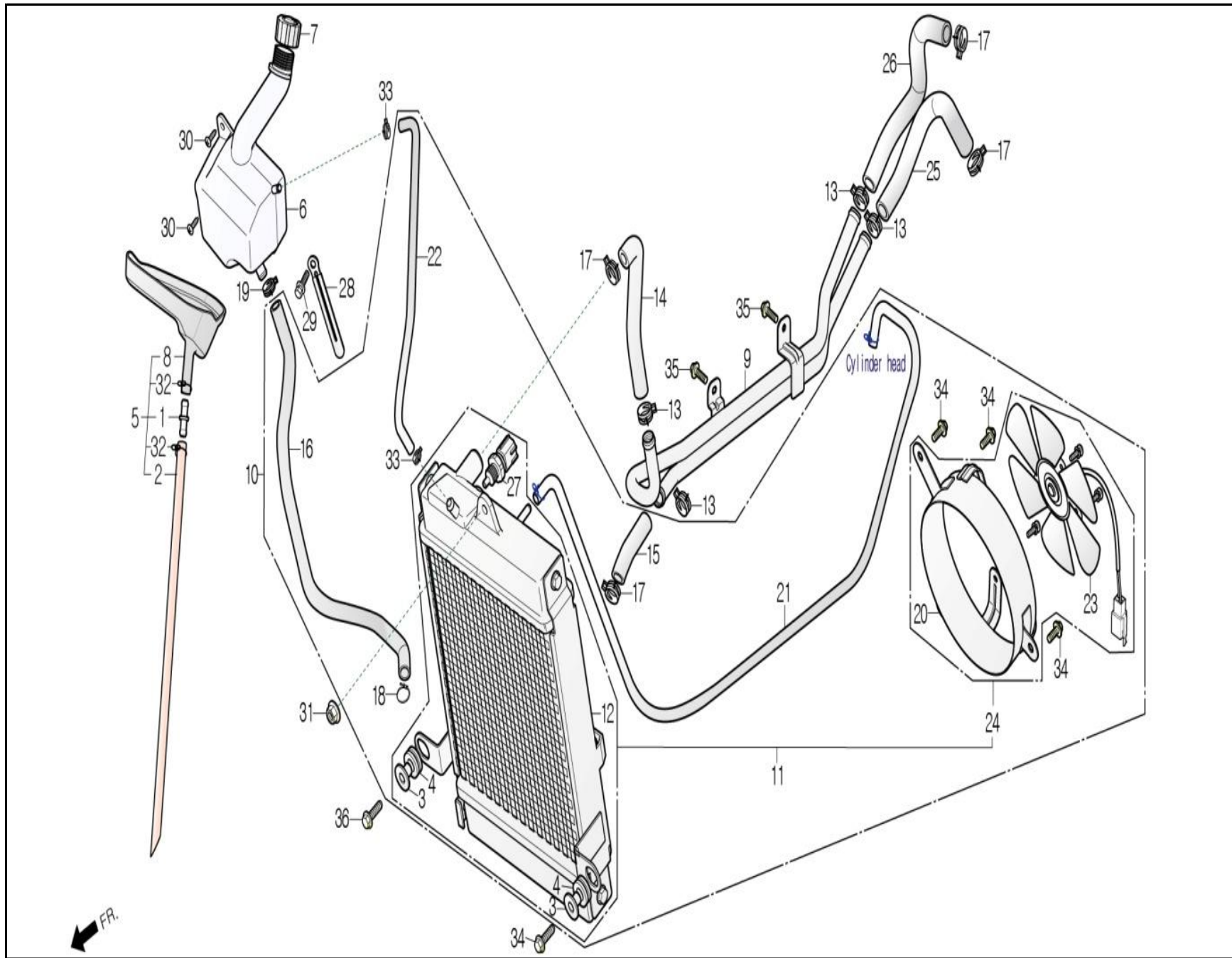
NO	PART NO	PART NAME	NO	PART NO	PART NAME
1	17600-0000-440001	BODY ASS'Y, THROTTLE	17	17910-M954-0000	INJECTOR ASS'Y
2		BODY SET, THROTTLE	18	17911-0000-030003	CAP COMP., INJECTOR
3		BODY, THROTTLE	19	16000-M154-000003	PIPE, INLET
4		VALVE, THROTTLE	20		INSULATOR ASS'Y, INLET PIPE
5		SPRING, THROTTLE RETURN	21	100077332	INSULATOR, INLET PIPE
6		LEVER COMP., THROTTLE	22	100076572	O-RING 43x2.0
7		SHAFT, THROTTLE	23	B166743106002271X	BOLT, FLANGE, SH.6x22
8		COLLAR, THROTTLE RETURN SPRING	24		SCREW, FLAT, 3x5
9		SEAL, OIL	25		SCREW, WASHER, 4x8
10		COLLAR, SIDE	26		SCREW, WASHER, 5x10
11		PLATE, THROTTLE ANCHOR	27		NUT, HEX, 8mm
12	17022-0000-020001	O-RING 39.7x3.5	28	B000930008000000C	WASHER, SPRING, 8mm
13	1701D-0000-000000	ACTUATOR, IDLE SPEED	29	B166743106002571X	BOLT, FLANGE, 6x28
14	1701E-0000-000000	SENSOR, THROTTLE POSITION	30	B166743106001671X	BOLT, FLANGE, SH.6x16
15		SCREW, ADJUST	31	B166743106002071X	BOLT, FLANGE, SH.6x20
16	16300-L227-0000	SENSOR, MAP & AT			



E-15 RADIATOR & HOSE

DRACO

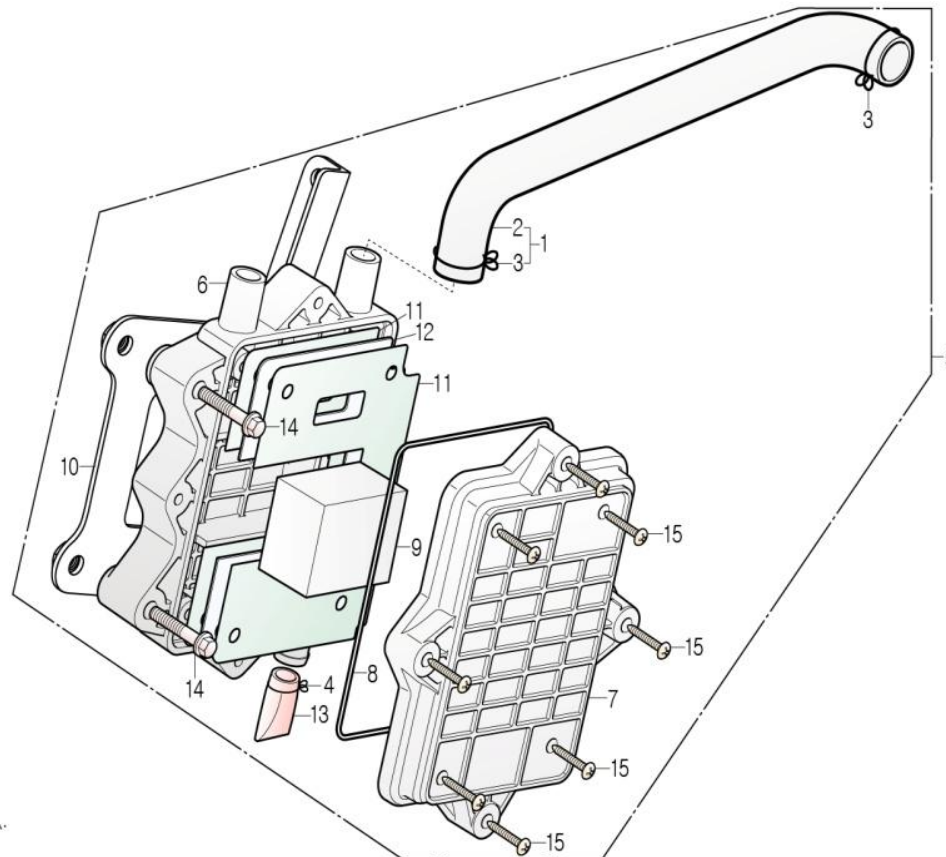
NO	PART NO	PART NAME	NO	PART NO	PART NAME
1	31001-M154-000001	JOINT, FUEL STRAIGHT	19	17020-0000-490001	CLIP C19, TUBE
2	41158-M154-010003	VINYL TUBE 6x9x760	20		BRACKET COMP., FAN MOTOR
3		COLLAR, RADIATOR	21	17001-M154-030003	TUBE ASS'Y, WATER PASS
4	6222B-0000-060001	RUBBER, RADIATOR	22	19234-M154-040001	TUBE B, WATER PASS
5		GUIDE ASS'Y, RESERVE TANK	23		MOTOR ASS'Y, FAN
6	19210-M154-020001	TANK, RESERVE	24	1910B-M154-000001	MOTOR SUB ASS'Y, FAN
7	19211-M154-010002	CAP, RESERVE TANK	25	19234-M154-000001	HOSE A, WATER
8	90001-M154-010001	RUBBER, RESERVE TANK GUIDE	26	19234-M154-010001	HOSE C, WATER
9	38013-M154-000001	PIPE COMP., WATER	27		THERMO SWITCH, RADIATOR FAN
10		RADIATOR ASS'Y	28	38023-M154-000001	CLIP 2x60
11	19200-M154-000004	RADIATOR SUB ASS'Y	29		BOLT, WASHER, 6x20
12	1920N-M154-000001	RADIATOR COMP.	30	9A160-1048-013X0H	SCREW, TAPPING, 4.8x13
13	17020-0000-510001	CLIP C22, TUBE	31	B061770106000061X	NUT, FLANGE, 6mm
14	19234-M154-050001	HOSE A, RADIATOR	32	17020-0000-15000C	CLIP, B10 TUBE
15	19234-M154-020001	HOSE B, RADIATOR	33	17020-0000-520001	CLAMP, TUBE, D13
16	19234-M154-030001	HOSE C, RADIATOR(745mm)	34	B057890006001670H	BOLT, FLANGE, 6x16
17	17020-0000-500001	CLIP C23, TUBE	35	B057890006001270H	BOLT, FLANGE, 6x12
18		CLIP A21, TUBE	36	B057890006002071X	BOLT, FLANGE, 6x20



E-16 OIL BREATHER

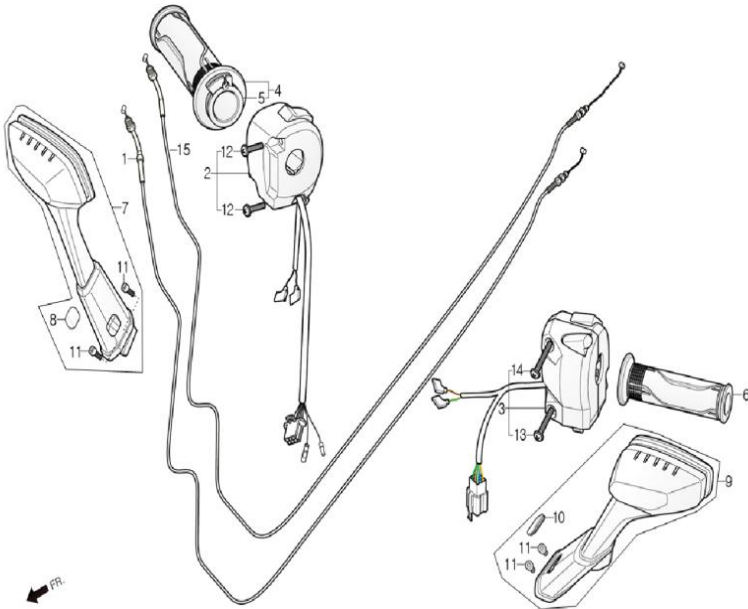
DRACO

NO	PART NO	PART NAME	NO	PART NO	PART NAME
1	12001-M154-010001	TUBE ASS'Y, OIL BREATHER B	9		ELEMENT, OIL BREATHER
2		TUBE, OIL BREATHER B	10	3111A-M154-000001	STAY COMP., OIL BREATHER
3		CLIP, BREATHER TUBE	11		GASKET, OIL BREATHER
4		CLIP, BREATHER TUBE	12		PLATE, OIL BREATHER
5	12162-M154-000003	BREATHER ASS'Y, OIL	13		TUBE, DRAIN
6		CASE COMP., OIL BREATHER	14		BOLT, FLANGE, SH.6x30
7		COVER, OIL BREATHER	15		SCREW, TAPPING, 5x30
8		SEAL, OIL BREATHER COVER			



F-03 HANDLE GRIP / SWITCH / CABLE

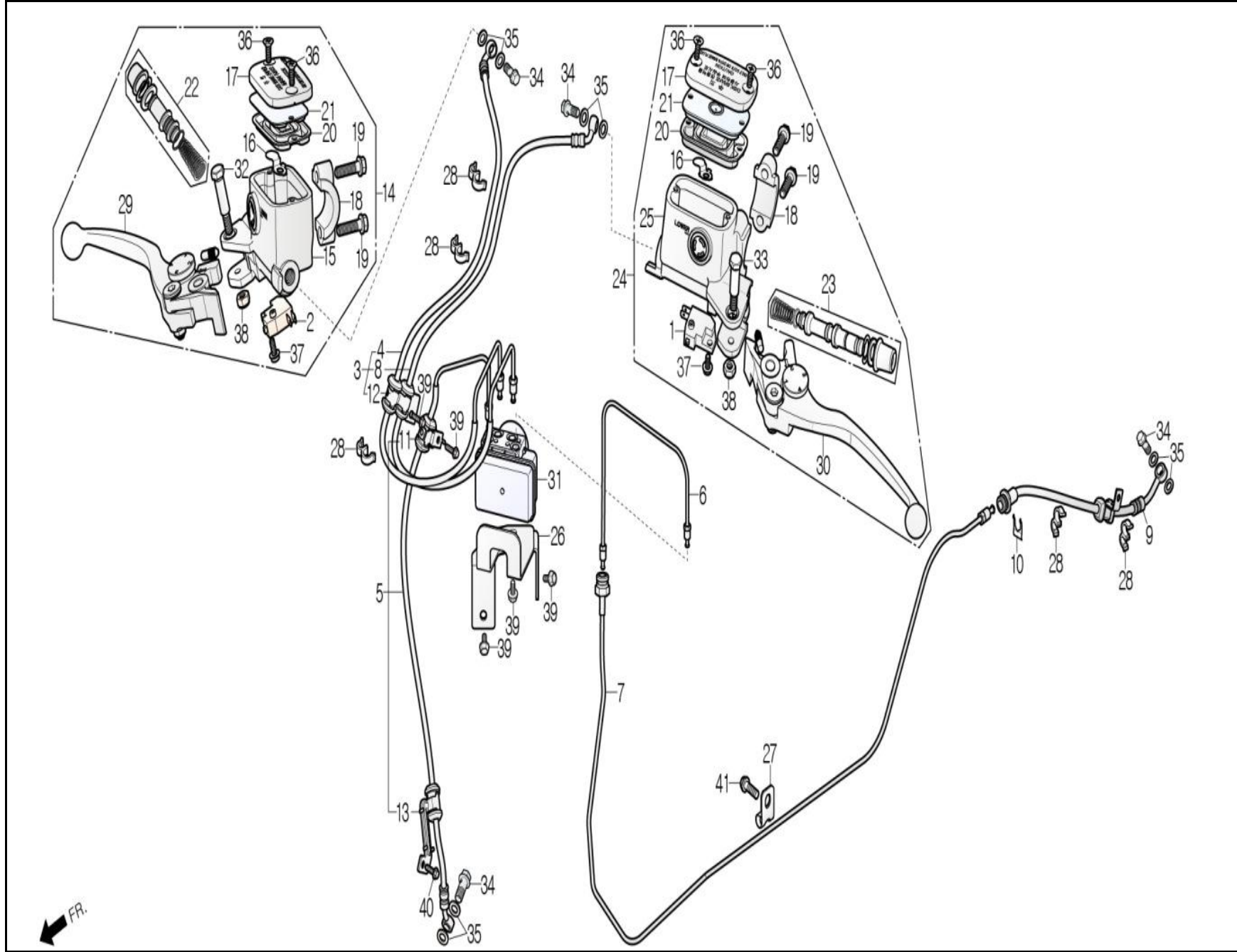
DRACO



NO	PART NO	PART NAME
1	72400CWZ38417701CQ	Throttle cable-A
2	72301-Q529-000004	SWITCH ASS'Y, HAZARD START
3	72201-Q529-000003	SWITCH ASS'Y, WINKER
4	72020-M154-010002	GRIP COMP., THROTTLE
5		PIPE, THROTTLE GRIP
6	72010-M154-000002	GRIP, LH.HANDLE
7	69120-M154-020001	MIRROR ASS'Y, RH.BACK
8	69126-M154-020001	RH.PROTECTOR CAP
9	69110-M154-020001	MIRROR ASS'Y, LH.BACK
10	69126-M154-010001	LH.PROTECTOR CAP
11	B0007001080025Z00	BOLT, SOCKET, 8x25
12		
13		
14		
15	72400CWZ4B517701CQ	Throttle cable-B

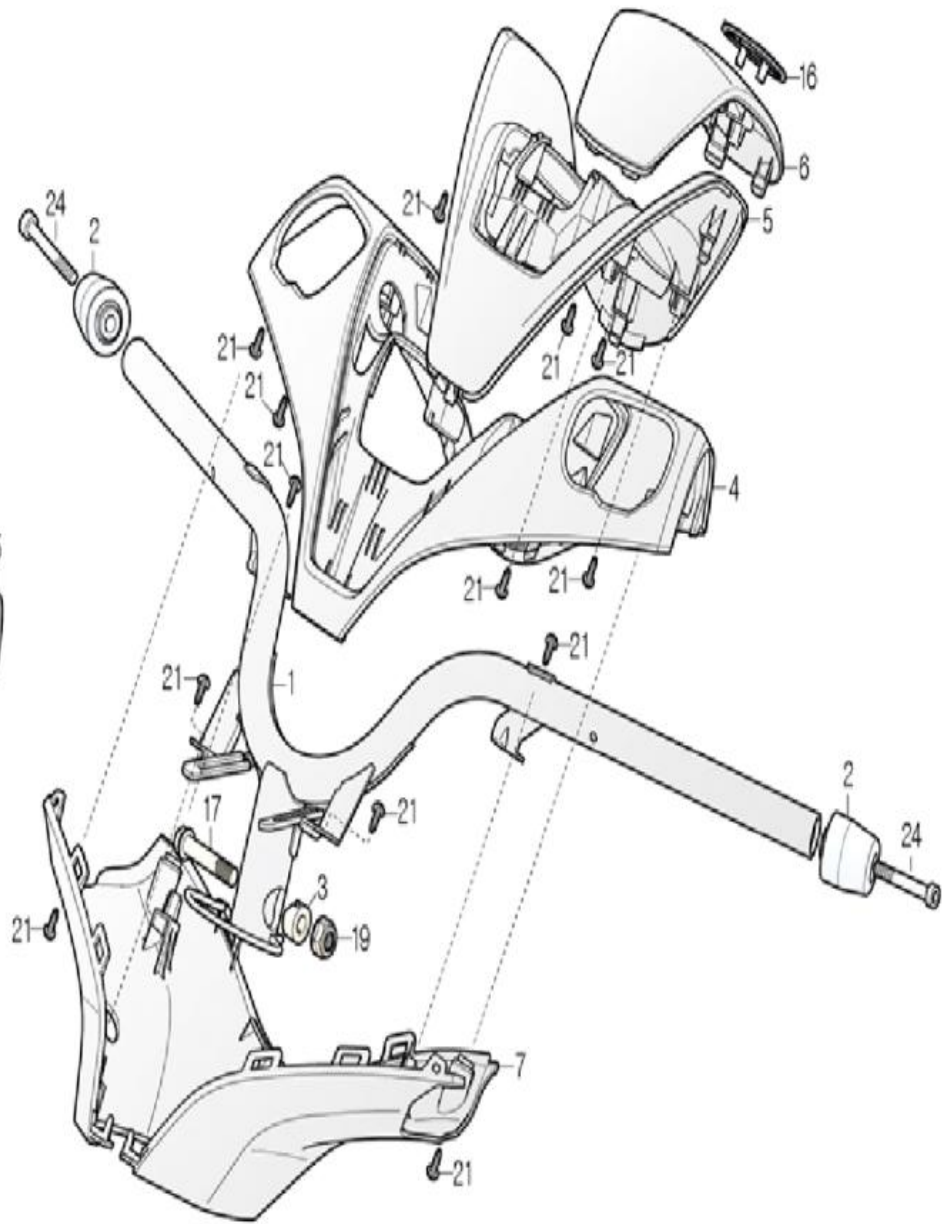
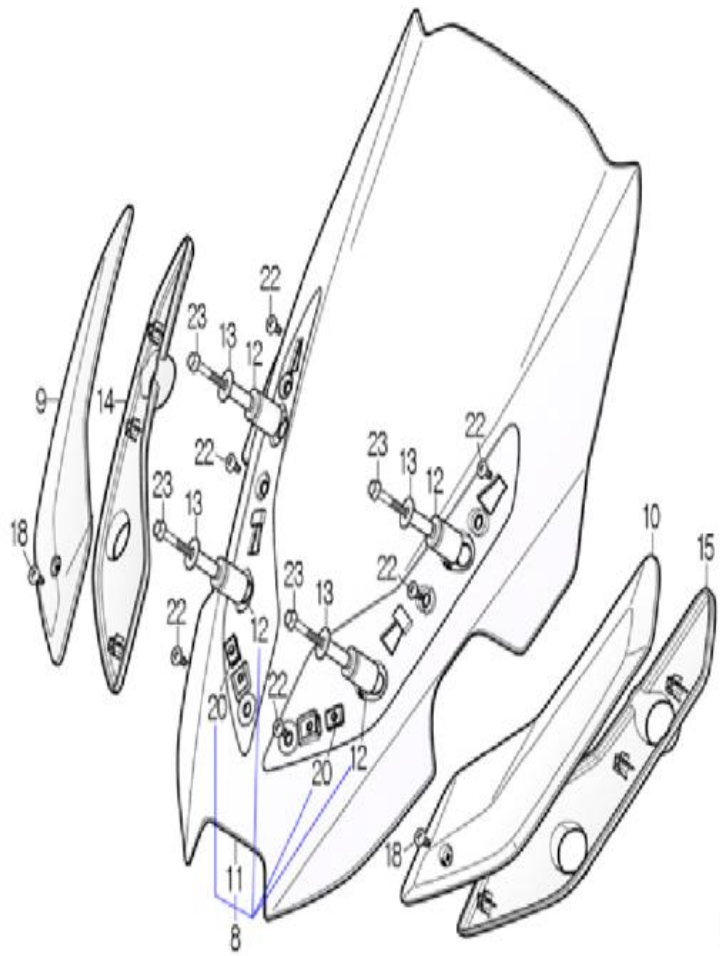
F-04 MASTER CYLINDER / BRAKE HOSE**DRACO**

NO	PART NO	PART NAME	NO	PART NO	PART NAME
1	53115-M154-000001	SWITCH ASS'Y, RR.STOP	22		MASTER CYLINDER SET
2	53037-M154-000001	SWITCH ASS'Y, FR.STOP	23		MASTER CYLINDER SET
3		HOSE ASS'Y, MASTER CYLINDER BRAKE	24	53006-M154-000004	CYLINDER ASS'Y, RR.MASTER
4	53007-M154-000003	HOSE A COMP., FR.BRAKE	25		BODY, RR.MASTER CYLINDER
5	53009-M154-010001	HOSE B ASS'Y, FR.BRAKE	26	38015-M154-000003	STAY, ABS UNIT
6	53013-M154-000002	HOSE PIPE A, RR.BRAKE	27	38026-M154-000001	CLIP, BRAKE HOSE
7	53012-M154-000002	HOSE PIPE, RR.BRAKE	28	53032-M288-000003	CLIP, BRAKE HOSE
8	53008-M154-000003	HOSE A COMP., RR.BRAKE	29	5305A-M154-000001	LEVER, RH.STEERING HANDLE
9	53011-M154-000004	HOSE B ASS'Y, RR.BRAKE	30	5306A-M154-000001	LEVER, LH.STEERING HANDLE
10	38024-M154-000003	CLIP, BRAKE HOSE	31	53107-M154-000001	MODULATOR ASS'Y, ABS
11		CLAMP A, BRAKE HOSE			MODULATOR ASS'Y, ABS(For A/S)
12	5301D-M154-000003	CLIP, BRAKE HOSE D	32		BOLT, HANDLE LEVER
13		CLAMP B, BRAKE HOSE	33		BOLT, HANDLE LEVER
14	53005-M154-010002	CYLINDER ASS'Y, FR.MASTER	34	53005-R1L1-000001	BOLT, OIL, 10x22(BLACK)
15		BODY, MASTER CYLINDER	35	53004-R1L1-000001	WASHER, OIL BOLT
16		PROTECTOR	36		SCREW, FLAT, 4x12
17		CAP, OIL CUP	37		SCREW, WASHER, 4x12
18		HOLDER, MASTER CYLINDER	38	B061770106000061X	NUT, FLANGE, 6mm
19		BOLT, MASTER CYLINDER HOLDER	39	B057890006001270H	BOLT, FLANGE, 6x12
20	5305J-M154-000001	DIAPHRAGM	40	B057890006001271X	BOLT, FLANGE, 6x12
21		PLATE, DIAPHRAGM	41	B057890006001270H	BOLT, FLANGE, SH.6x12



F-05 STEERING HANDLE / HANDLE COVER**DRACO**

NO	PART NO	PART NAME	NO	PART NO	PART NAME
1	72100-M154-040002	HANDLE COMP., STEERING	13	91302-9060-18271X	WASHER, WIND SCREEN
2	72119-M154-010003	WEIGHT CAP, HANDLE	14	63002-M154-010001	COVER, RH.WIND SCREEN LOWER
3	72118-M154-010001	COLLAR, HANDLE SETTING	15	63002-M154-000001	COVER, LH.WIND SCREEN LOWER
4	63004-M154-000001	COVER A, UPPER HANDLE	16	01004-M154-000002	MARK(35)
5	63005-M154-000005	COVER B, UPPER HANDLE	17	91136-6100-05071X	BOLT, FLANGE, 10x50
6	63006-M154-000001	COVER C, UPPER HANDLE	18	9A131-1050-01670H	SCREW, SPECIAL, 5x16
7	63007-M154-000001	COVER, UNDER HANDLE	19	91126-6100-01061X	NUT, U, 10mm
8		SCREEN SUB ASS'Y, WIND	20	91207-1050-117T1X	NUT, CLIP, 5mm
		SCREEN SUB ASS'Y, WIND	21	9A160-1048-013X0H	SCREW, TAPPING, 4.8x13
9	63003-M154-010001	COVER, RH.WIND SCREEN	22	9A133-1042-013X0H	SCREW, TAPPING, 4.2x13
10	63003-M154-000001	COVER, LH.WIND SCREEN	23	B057890006004071X	BOLT, FLANGE, 6x40
11	63001-M154-000003	SCREEN, WIND	24	B000700108005070H	BOLT, SOCKET, 8x50
12	35101-M154-010003	RUBBER, WIND SCREEN MOUNT			

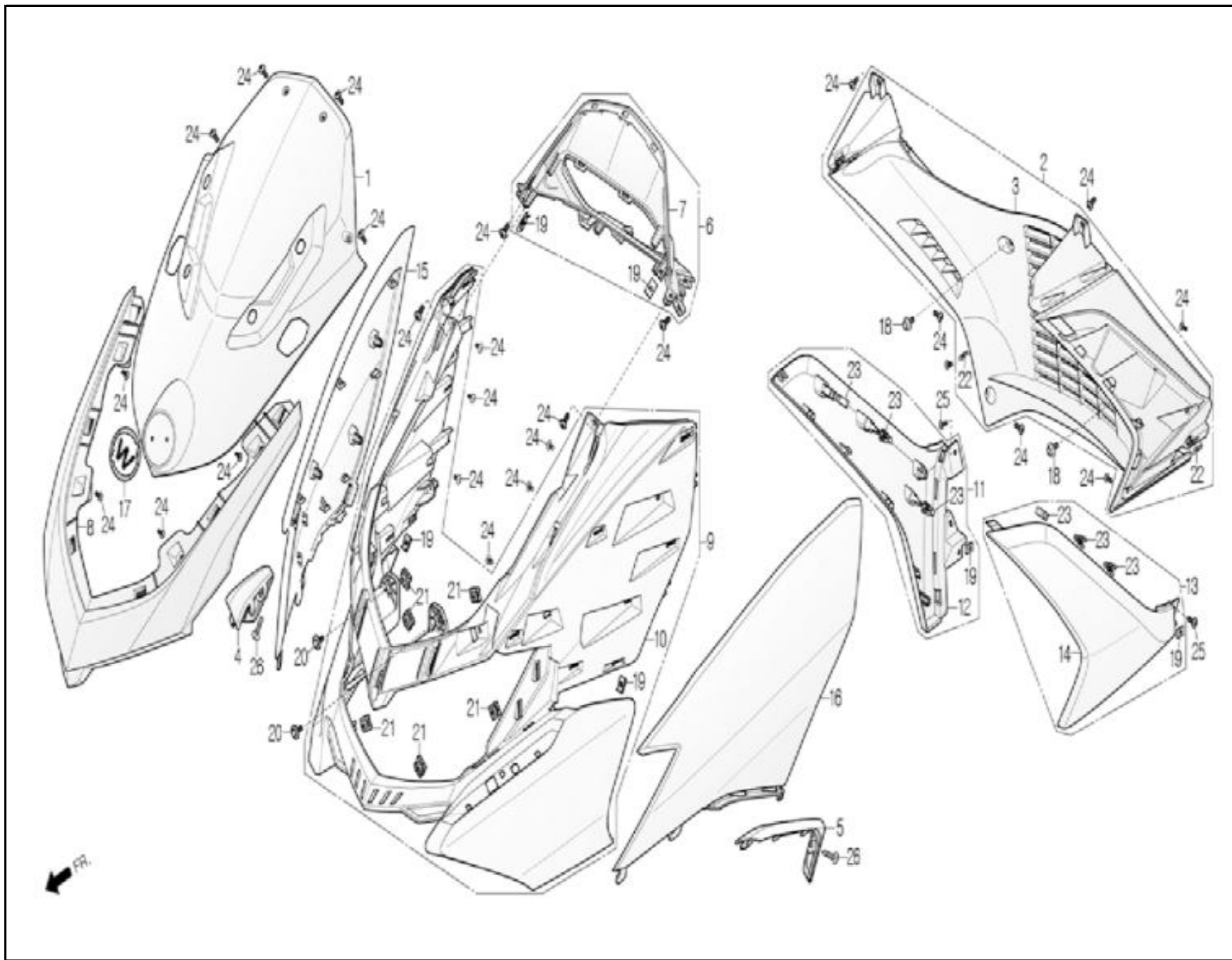


FR. ←

F-06 FRONT COVER / METER COVER

DRACO

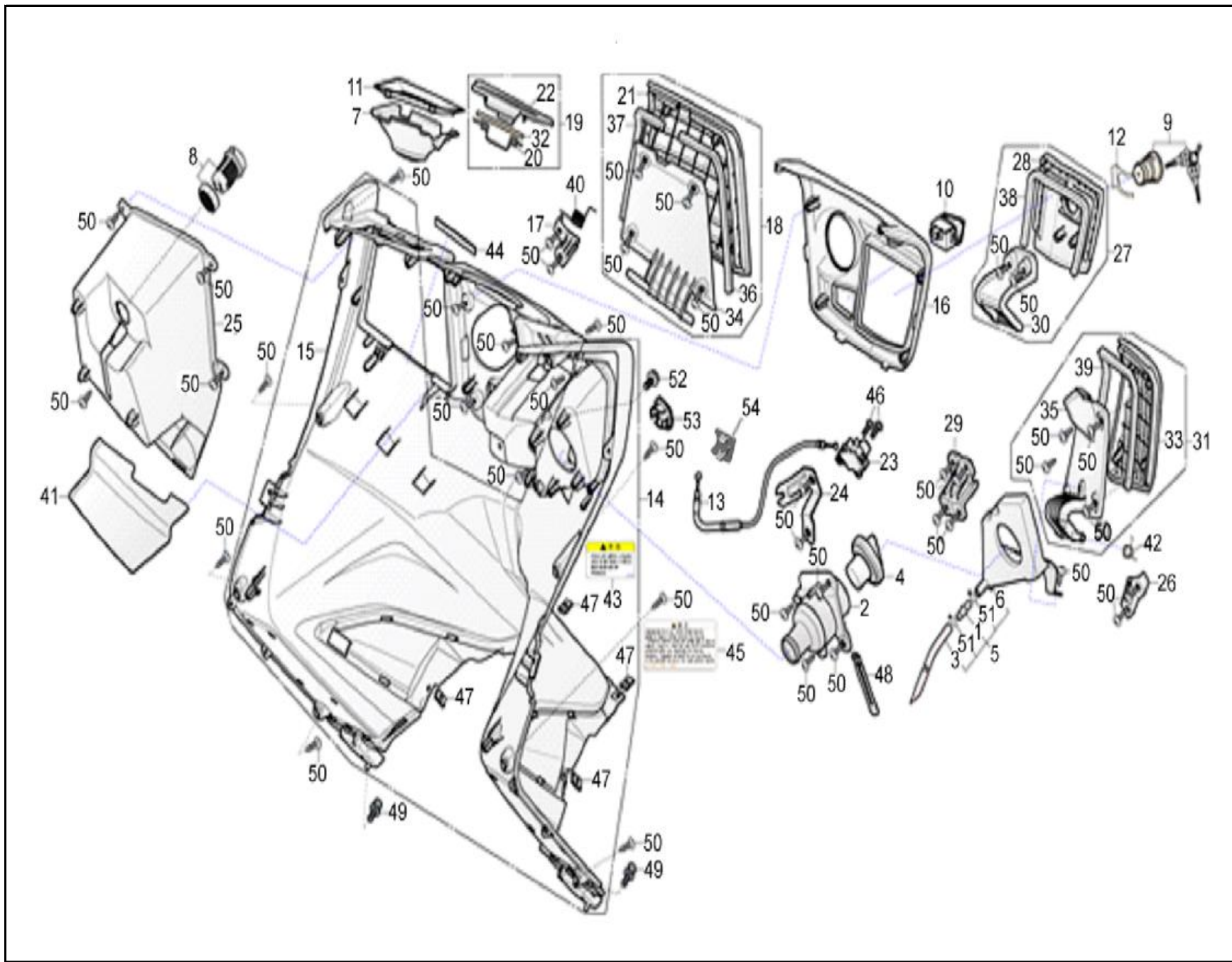
NO	PART NO	PART NAME	NO	PART NO	PART NAME
1	62001-M154-000001	COVER, WIND SCREEN UNDER	15	62005-M154-000065	COVER, RH.FR.UPPER SIDE (RED)
2		COVER ASS'Y, FR.UNDER		62005-M154-000064	COVER, RH.FR.UPPER SIDE (BLUE)
3	62006-M154-000004	COVER, FR.UNDER		62005-M154-000063	COVER, RH.FR.UPPER SIDE (BLACK)
4	62008-M154-000004	COVER, RH.UNDER SIDE	16	62004-M154-000065	COVER, LH.FR.UPPER SIDE (RED)
5	62007-M154-000004	COVER, LH.UNDER SIDE		62004-M154-000064	COVER, LH.FR.UPPER SIDE (BLUE)
6		COVER ASS'Y, METER		62004-M154-000063	COVER, LH.FR.UPPER SIDE (BLACK)
7	63025-M154-000001	COVER, METER	17	01003-M154-000002	MARK(60)
8	62002-M154-000019	TOP COVER, FR.	18	B090740106001670H	BOLT, FLANGE, 6x16
9		COVER ASS'Y, FR.UPPER	19	91205-0042-017T1X	SCREW, TAPPING, ST4.2x17x11
10	62003-M154-000008	COVER, FR.UPPER	20	9A131-1050-01670H	BOLT, WASHER, 5x16
11		COVER ASS'Y, RH.FR.SIDE	21	91206-1060-02001X	NUT, CLIP, 6mm
12	63008-M154-000007	COVER, RH.FR.SIDE	22	91207-1050-117T1X	NUT, CLIP, 5mm
13		COVER ASS'Y, LH.FR.SIDE	23	63304-M154-000001	FASTENER CLIP
14	63009-M154-000007	COVER, LH.FR.SIDE	24	9A160-1048-013X0H	SCREW, TAPPING, 4.8x13
			25	9A133-1042-013X0H	SCREW, TAPPING, 4.2x13
			26	9A133-1042-019X0H	SCREW, TAPPING, 4.2x19



F-07 INNER BOX

DRACO

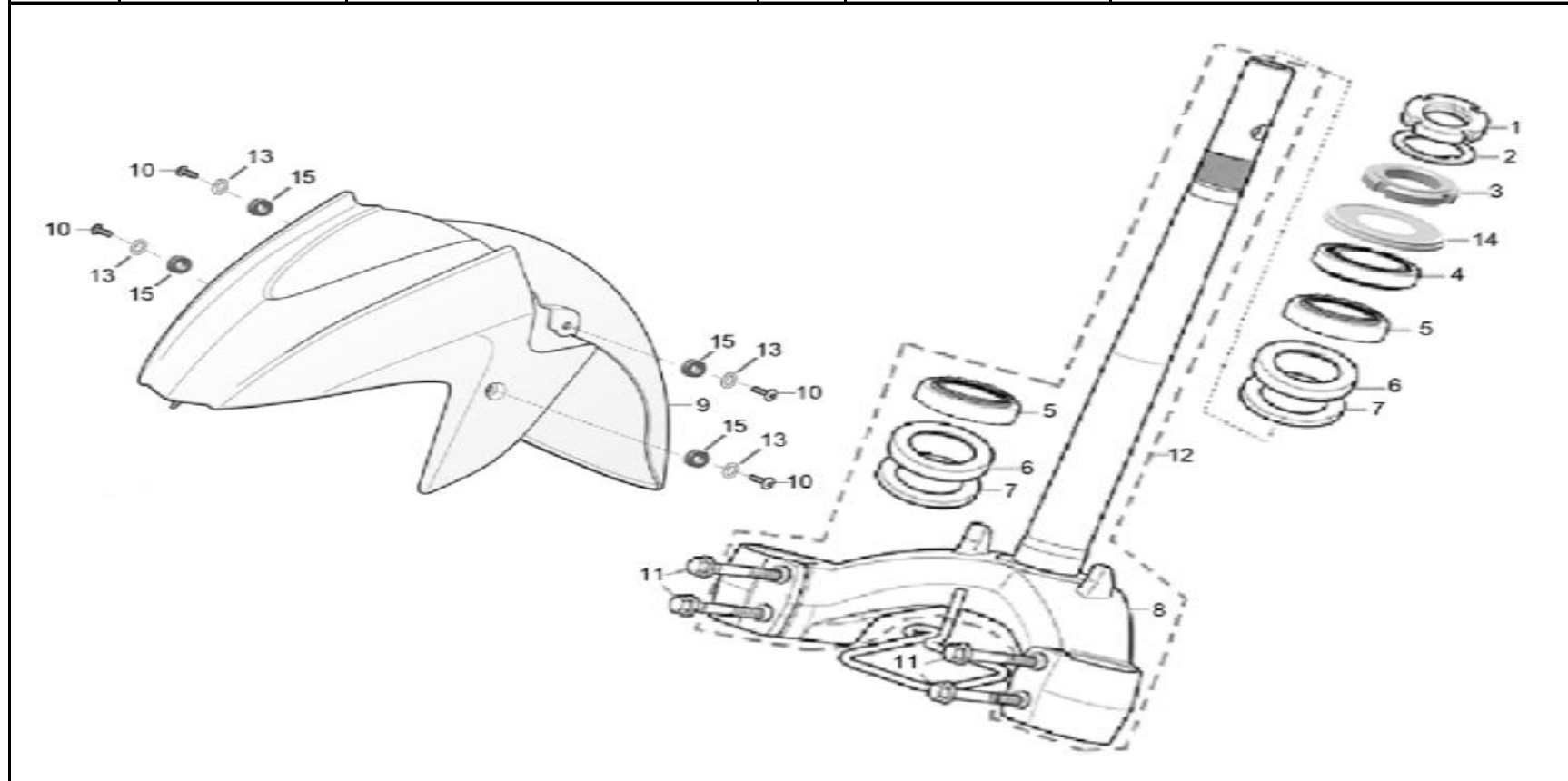
NO	PART NO	PART NAME	NO	PART NO	PART NAME
21	62012-M154-000001	LID, RH.INNER BOX	38	63146-M154-020001	SEAL, CENTER INNER BOX LID
22	62011-M154-000001	HINGE, RH.LID OPEN	39	63146-M154-030001	SEAL, LH. INNER BOX LID
23	84002-M154-000001	LOCK ASS'Y, LH.LID	40	63778-M154-010003	SPRING, RH.INNER LID
24	38018-M154-000003	STOPPER, FUEL CABLE	41	63030-M154-010001	MAT, RH.LID BOX
25	62010-M154-000001	BOX, RH.LID	42	63778-M154-020003	SPRING, LH.INNER LID
26	63028-M154-000002	STAY, LH.INNER LID	43	630FY-M154-000001	LABEL, INNER BOX CAUTION
27		LID ASS'Y, CENTER INNER BOX	44	08122-M154-010001	SPONGE RUBBER, INNER BOX
28	41001-M154-000005	LID, CENTER INNER BOX	45	63005-M154-010001	MARK, DRIVE CAUTION
29	62013-M154-000002	STAY, LID HINGE	46	9A131-1050-01670H	SCREW, SPECIAL, 5x16
30	41002-M154-000001	HINGE, CENTER LID	47	91205-0042-017T1X	SCREW, TAPPING, ST4.2x17x11
31		LID SET, LH.INNER BOX	48	38023-M154-000003	CLIP
32	91511-0028-048Z00	PIN, RH.LID OPEN HINGE	49	B090740106001670H	BOLT, WASHER, 6x16
33	62012-M154-020001	LID, LH.INNER BOX	50	9A160-1048-013X0H	SCREW, TAPPING, ST4.8X13
34	63027-M154-000001	LID, RH.INNER	51	17020-0000-530001	CLIP, B10 TUBE
35	63026-M154-000001	LID, LH.INNER	52	B090740106001670H	BOLT, FLANGE, 6x16
36	63146-M154-000001	SEAL A, RH.INNER BOX LID	53	62025-M154-000001	Cap,plug
37	63146-M154-010001	SEAL B, RH.INNER BOX LID	54	62025-M154-010001	Cap,plug



F-08 FRONT FENDER / STEERING STEM

DRACO

NO	PART NO	PART NAME	NO	PART NO	PART NAME
1	71106-0000-120001	NUT, STEERING STEM LOCK	9	63011-M154-000023	FENDER, FR.
2	71135-H206-00000C	Clip ring,steering rod	10	9A139-1060-716Z00	SCREW, SPECIAL, 6x16
3	71105-I853-000001	THREAD COMP., TOP	11	91136-6100-04571X	BOLT, FLANGE, 10x45
4	71200-M288-0000	BEARING,STEERING UPPER	12		STEM COMP., STEERING
5	71200-M154-030001	BEARING,STEERING UNDER	13	91311-M288-0000	Rubber Plane Pad
6	71123-M154-010001	WASHER, STEERING HEAD DUST SEAL	14	71124-I796-000001	Dustproof Ring,Steering Post
7	71124-I1F1-000001	DUST SEAL, STEERING	15	6222B-0000-1200	H Shape rubber washer($\phi 8.5 \times \phi 12 \times \phi 17 - 2.5 + 3 + 2.5$)
8	71120-M154-020001	STEM COMP., STEERING			

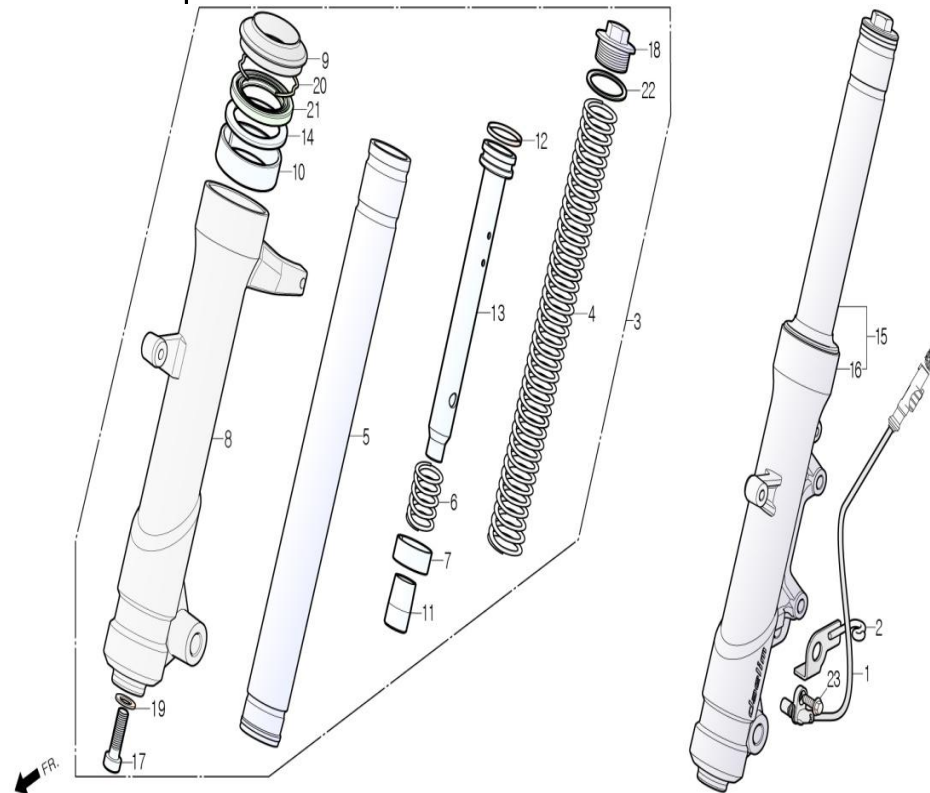


F-09 FRONT FORK

DRACO

NO	PART NO	PART NAME	NO	PART NO	PART NAME
1	87360-M154-000001	SENSOR, WHEEL SPEED	15	34100-M154-010002	FORK ASS'Y, LH.FR.
2	38021-M154-000003	GUIDE, SPEED SENSOR CABLE	16		CASE, LH.BOTTOM
3	34200-M154-010002	FORK ASS'Y, RH.FR.	17		BOLT, SOCKET, 8mm
4		SPRING, FR.FORK	18		BOLT, FR.FORK
5		PIPE COMP., FORK	19		WASHER, SPECIAL, 8mm
6		SPRING, REBOUND	20		RING, OIL SEAL STOP
7		BUSH, SLIDE	21	34107-M154-000001	SEAL, OIL
8		CASE, RH.BOTTOM	22		O-RING
9	34106-M154-000001	SEAL, DUST	23	B057890006001271X	BOLT, FLANGE, 6x12
10		BUSH, GUIDE			

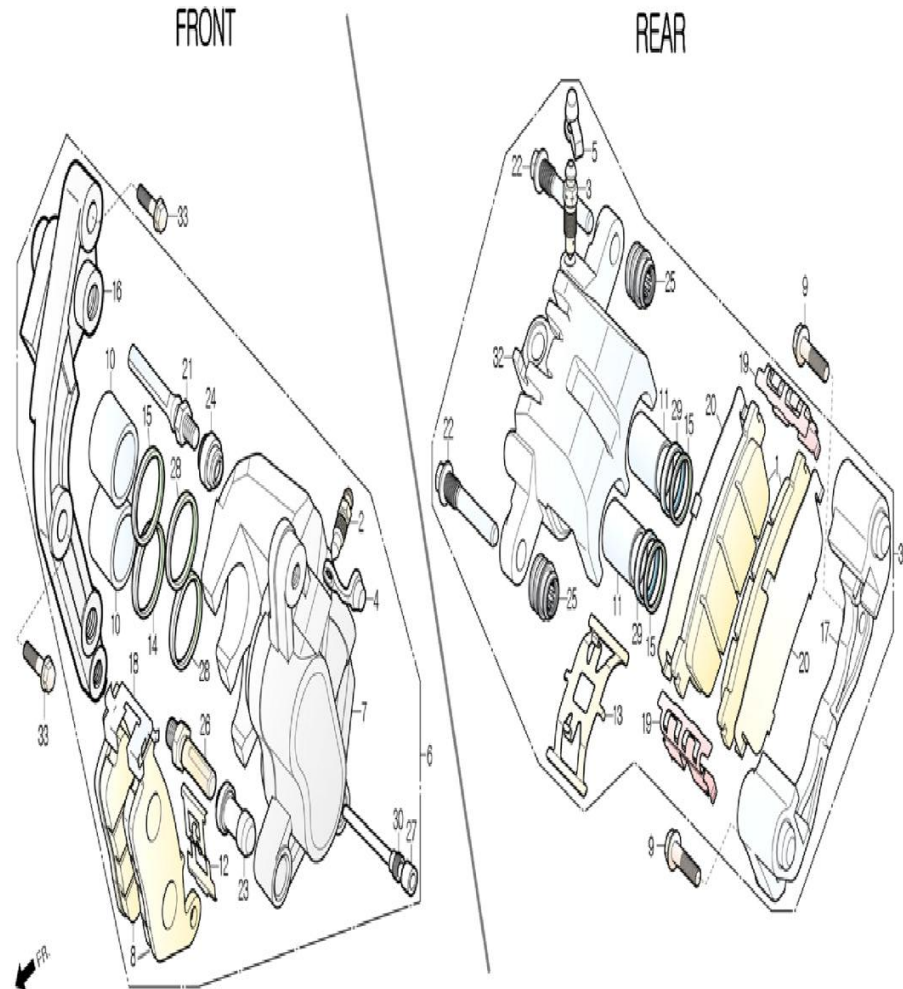
11		PIECE, OIL LOCK
12		RING, PISTON
13		PIPE, SEAT
14		RING, BACK UP



F-10 BRAKE CALIPER

DRACO

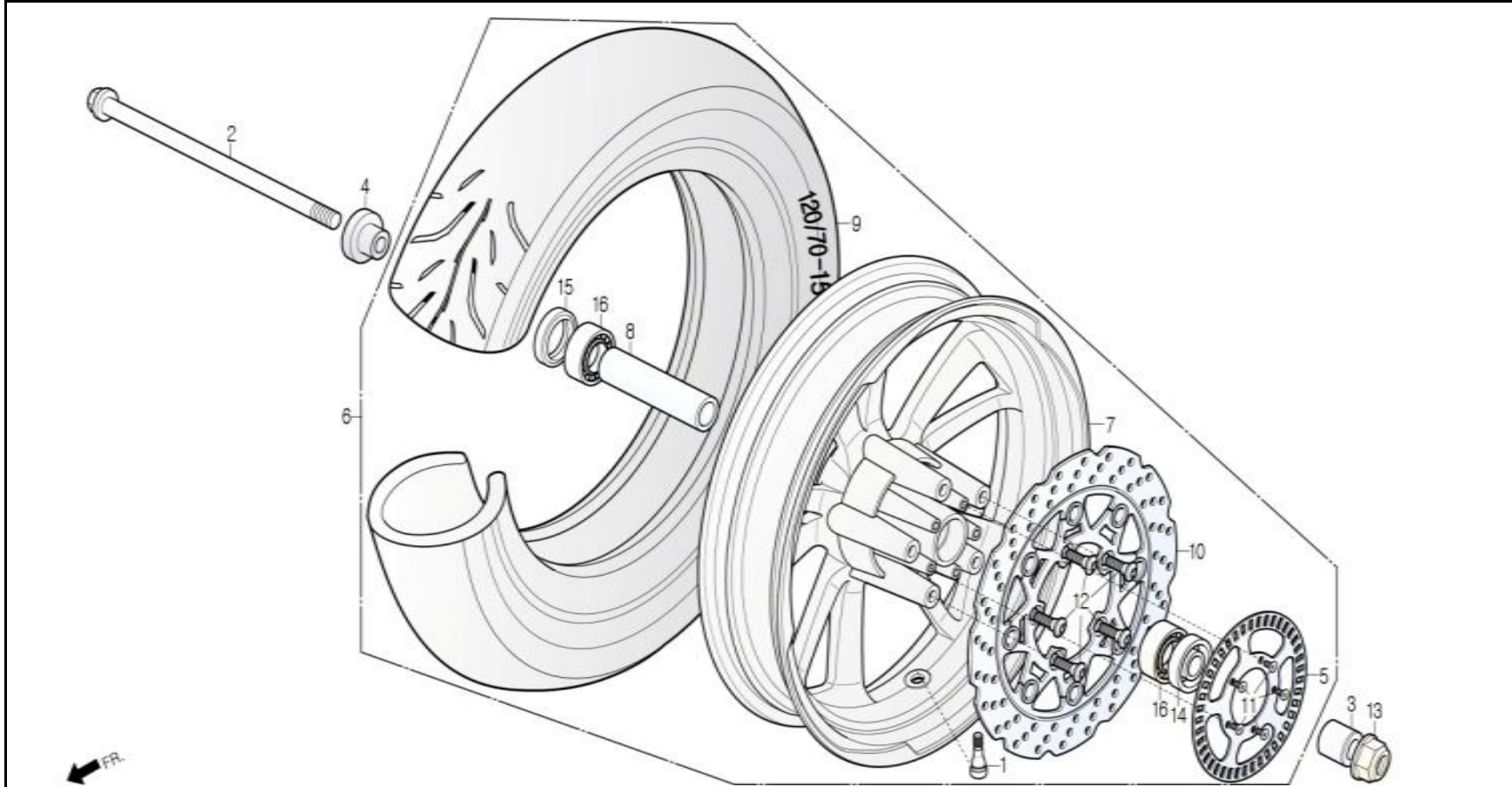
NO	PART NO	PART NAME	NO	PART NO	PART NAME
1	53126-M154-010001	PAD COMP., INNER	31	53004-M154-010002	CALIPER ASS'Y, RR.
2		SCREW, BLEEDER(DC)	32		BODY, CALIPER
3		SCREW, BLEEDER	33	B057890008003271X	BOLT, SPECIAL FLANGE, 8x32
4		CAP, BLEEDER(DC)	34		
5		CAP, BLEEDER			
6	53002-M154-010002	CALIPER ASS'Y, LH.FR.			
7		BODY, CALIPER			
8	53020-M154-010001	PAD COMP. A(DC)			
9	B057890008003271X	BOLT, SPECIAL FLANGE, 8x32			
10		PISTON(DC)			
11		PISTON			
12		SPRING, PAD(DC)			
13		SPRING, PAD			
14		SEAL, DUST(DC)			
15		SEAL, DUST			
16		BRACKET, CALIPER			
17		BRACKET, CALIPER			
18		RETAINER(DC)			
19		RETAINER			
20		SHIM, LH.			
21		PIN BOLT(DC)			
22		BOLT, PIN, A			
23		BOOT, PIN BUSH(DC)			
24		BOOT, PIN(DC)			
25		BOOT, PIN			
26		BOLT, PIN, A(DC)			
27		PLUG, PIN(DC)			
28		SEAL, PISTON(DC)			
29		SEAL, PISTON			
30		HANGER PIN(DC)			



F-11 FRONT WHEEL

DRACO

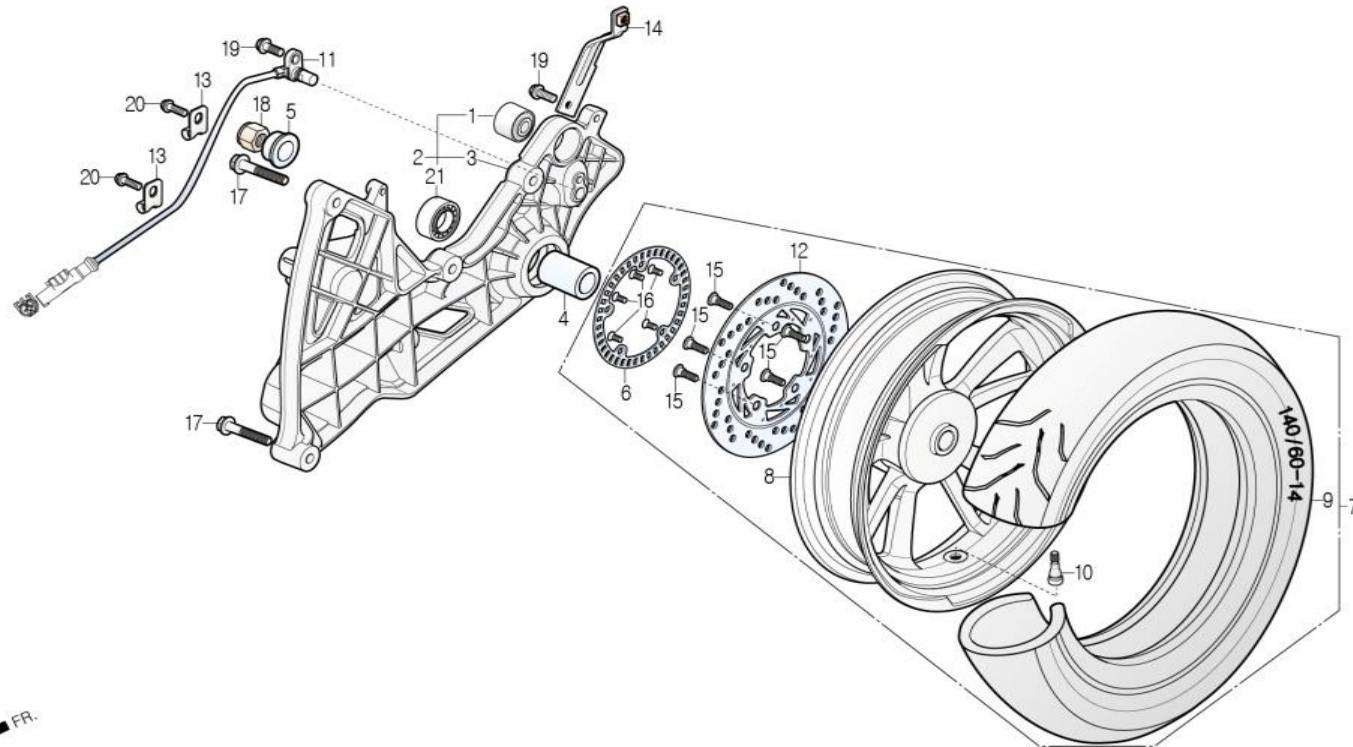
NO	PART NO	PART NAME	NO	PART NO	PART NAME
1	51125-M154-000001	VALVE, RIM, TR413	9	51188-0000-000252	TIRE, FR.(120/70-15 56P)
2	51181-M154-000001	AXLE, FR.WHEEL	10	53001-M154-000003	DISK, FR.BRAKE
3	51101-M154-000001	COLLAR, FR.WHEEL SIDE	11	B0007001060016Z00	BOLT, SOCKET, 6x16
4	51102-M154-000001	COLLAR, FR.WHEEL SIDE	12	9A120-1080-32571X	BOLT, FR.DISK, 8x25
5	5305P-M154-000004	RING, FR.PULSER	13	B061870212000063X	NUT, FLANGE, 12mm
6		WHEEL ASS'Y, FR.	14	51116-M154-000001	SEAL, OIL, 23x37x7
7	51120-M154-000007	WHEEL, FR.CAST(15)	15	51116-M154-010001	SEAL, DUST, 40x50x5
8	51117-M154-000001	COLLAR, FR.AXLE DISTANCE	16	92102-000063012RS	BEARING, RADIAL BALL, 6301U



F-12 REAR WHEEL

DRACO

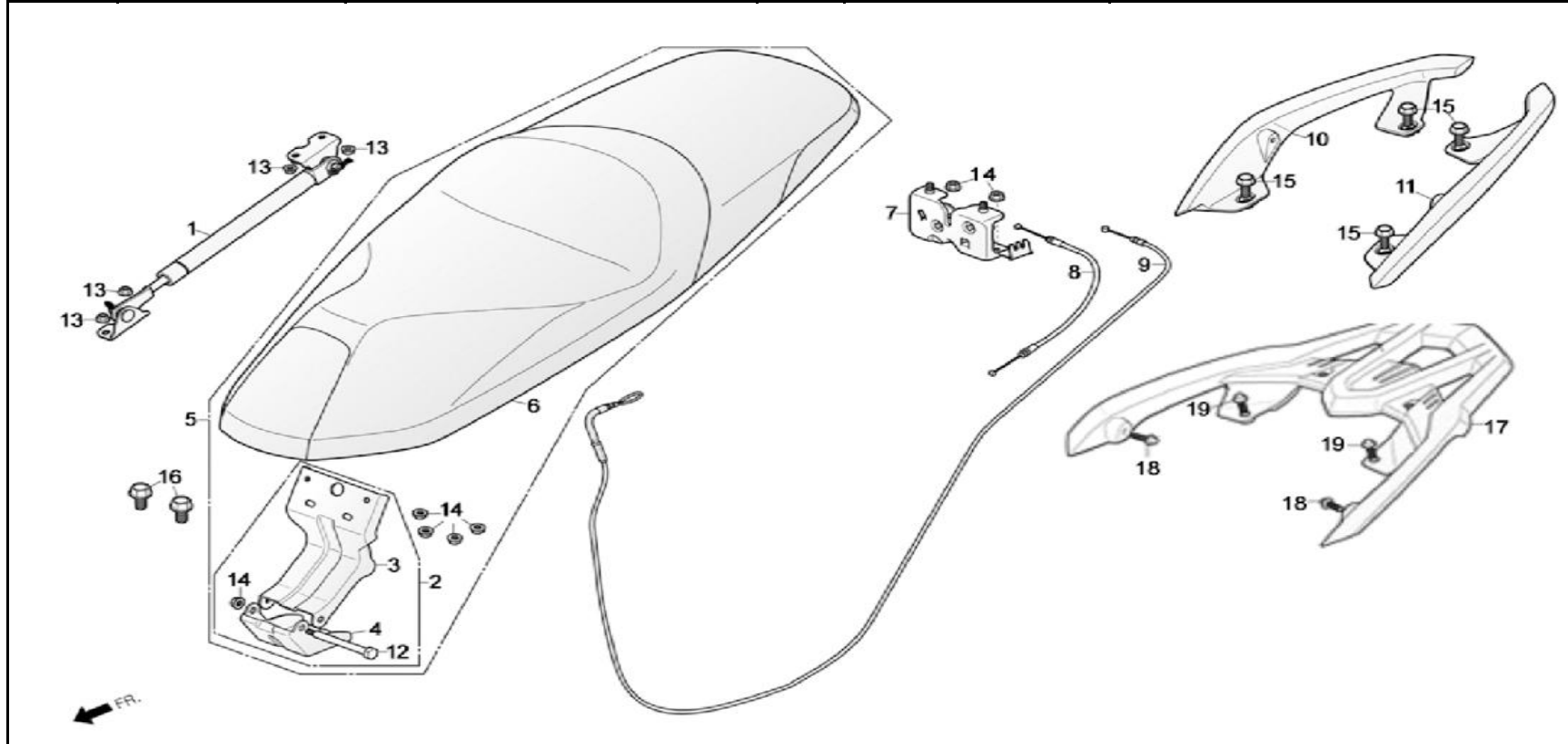
NO	PART NO	PART NAME	NO	PART NO	PART NAME
1	323C1-M154-000001	BUSH, RR.CUSHION UNDER RUBBER	12	53003-M154-000003	DISK, RR.BRAKE
2	32301-M154-010001	ARM ASS'Y, RR.SWING	13	38026-M154-000001	
3		ARM, RR.SWING	14	38005-M154-000003	RH.STAY, RR.WHEEL MUDGUARD
4	51222-M154-000003	COLLAR, RR.WHEEL INSIDE	15	9A120-1080-32571X	BOLT, FR.DISK, 8x25
5	51222-M154-010003	COLLAR, RR.WHEEL OUTSIDE	16	B0007003050010Z00	SCREW, FLAT HEAD SOCKET
6	5320T-M154-000004	RING, RR.PULSER	17	B057890008004571X	BOLT, SPECIAL FLANGE, 8x45(H.tension)
7		WHEEL ASS'Y, RR.	18	91126-7160-01161X	NUT, U, 16mm
8	51220-M154-000007	WHEEL, RR.CAST	19	B057890006001271X	BOLT, FLANGE, 6x12
9	51288-0000-000308	TIRE, RR.(140/60-14 64P)	20	B166743106001271X	BOLT, FLANGE, SH.6x12
10	51125-M154-000001	VALVE, RIM, TR413	21	92102-0006204-2RS	BEARING, BALL RADIAL, 6204(UU)
11	87360-M154-000001	SENSOR, WHEEL SPEED			



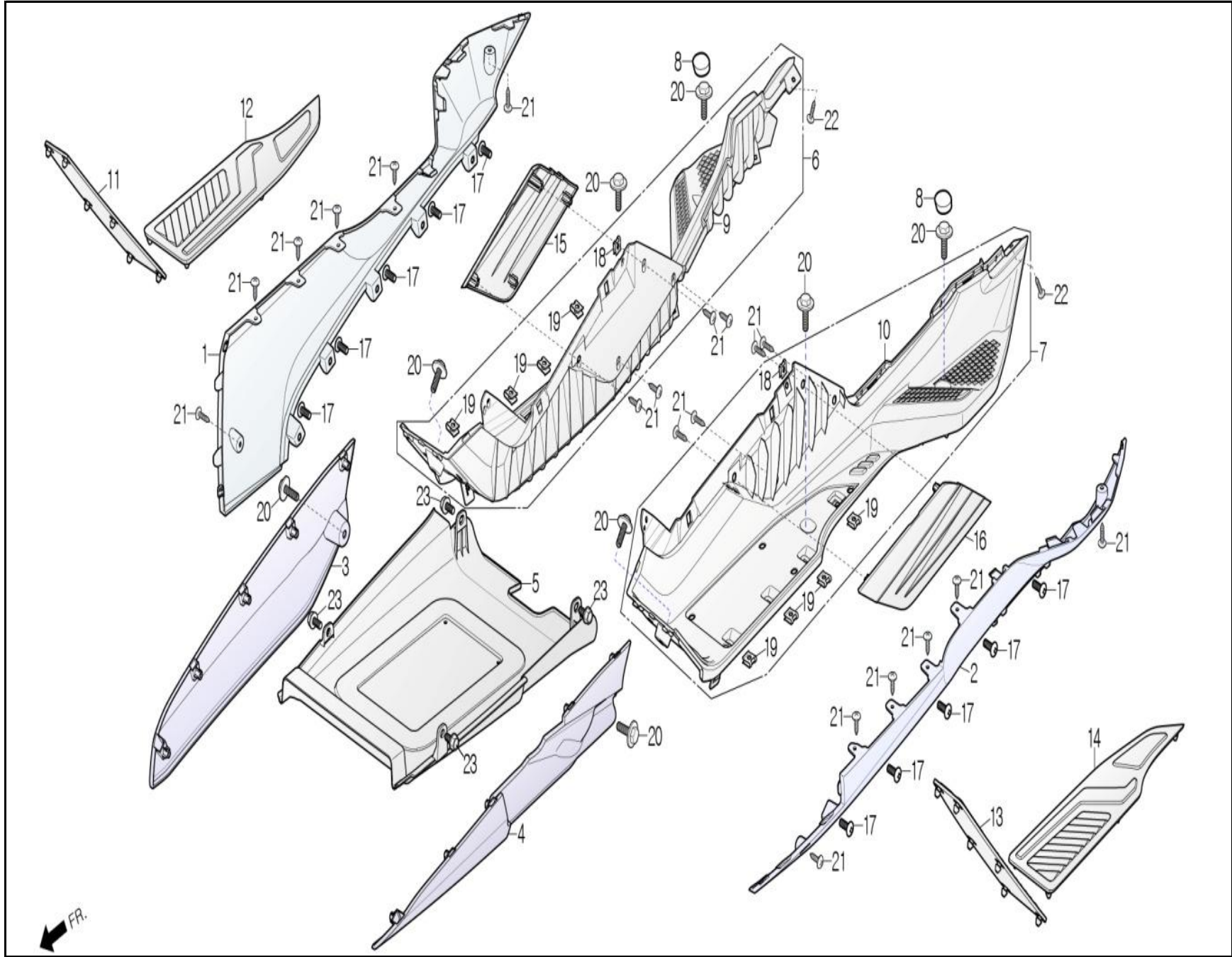
F-13 SEAT

DRACO

NO	PART NO	PART NAME	NO	PART NO	PART NAME
1	38000-M154-000001	CYLINDER ASS'Y, SEAT GAS SPRING	11	42217-M154-000001	GRIP, LH.REAR
2	38037-M154-020002	HINGE ASS'Y, SEAT	12		BOLT A, SEAT HINGE
3		HINGE A, SEAT	13	91202-1060-01231X	NUT, 6mm OPEN STAY
4		HINGE B, SEAT	14	B061770106000061X	NUT, FLANGE, 6mm
5		SEAT SET, MAIN	15	B057890008002070H	BOLT, FLANGE, 8x20
6	41100-M154-000003	SEAT ASS'Y, MAIN	16	B057890008001671X	BOLT, FLANGE, 8x16
7	38002-M154-000003	CATCH COMP., SEAT	17	42120-M154-010001	CARRIER A, RR.
8	72900-M154-000003	CABLE A, SEAT LOCK	18	B057890008001670H	BOLT, FLANGE, 8x16
9	72900-M154-010002	CABLE B, SEAT LOCK	19	B057890008003070H	BOLT, FLANGE, 8x30
10	42218-M154-000001	GRIP, RH.REAR			



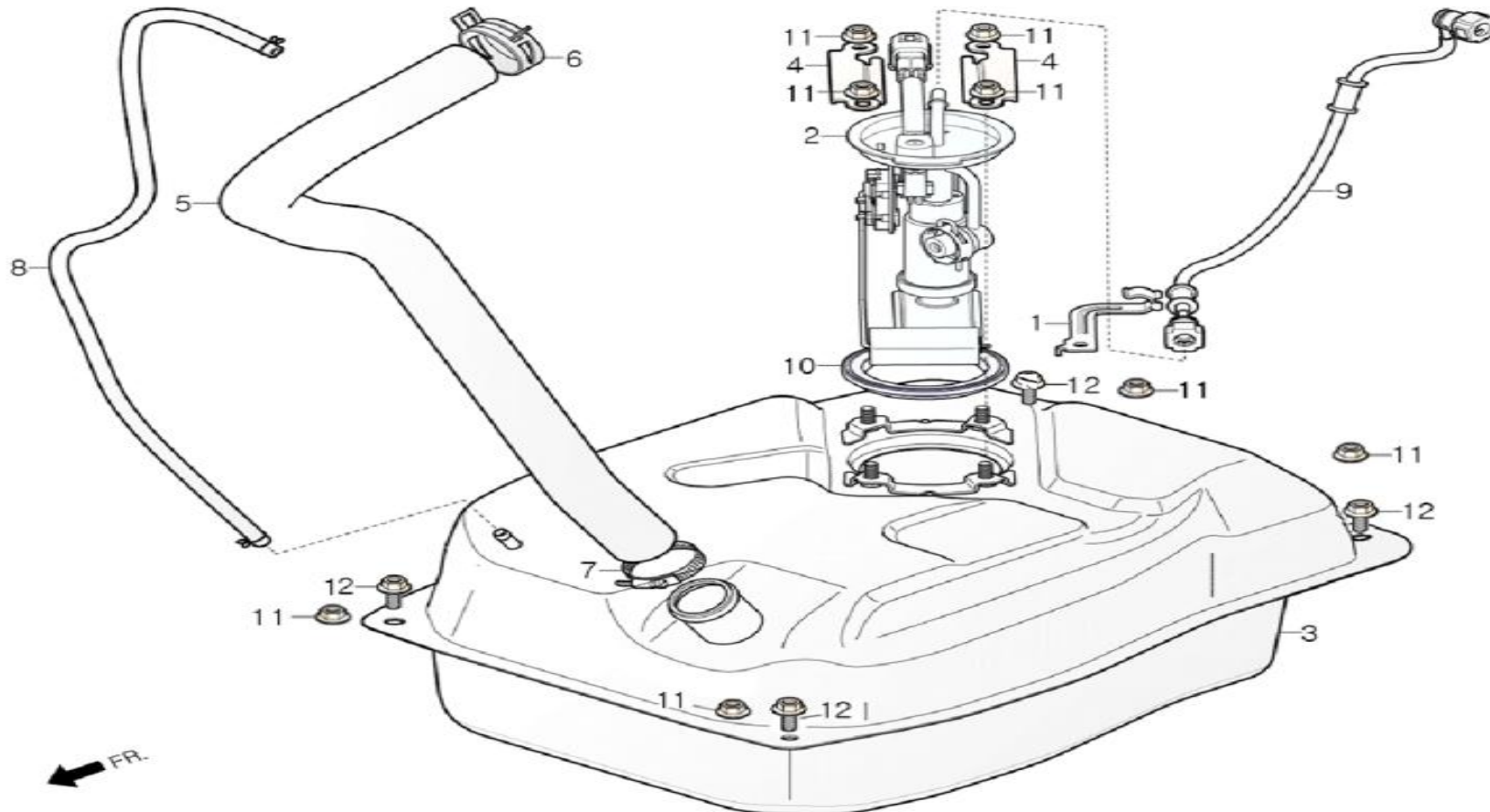
F-14 FLOOR PANEL / UNDER COVER / FLOOR SIDE COVER			DRACO		
NO	PART NO	PART NAME	NO	PART NO	PART NAME
1	62019-M154-000033	COVER, RH.FLOOR SIDE	11	63813-M154-000002	MAT A, RH.FLOOR
2	62018-M154-000033	COVER, LH.FLOOR SIDE	12	32442-M154-000002	MAT B, RH.FLOOR
3	62021-M154-000001	COVER, RH.FLOOR SIDE LOWER	13	63812-M154-000002	MAT A, LH.FLOOR
4	62020-M154-000001	COVER, LH.FLOOR SIDE LOWER	14	32438-M154-000002	MAT B, LH.FLOOR
5	62017-M154-000001	COVER, UNDER	15	62016-M154-010001	DUCT, RH.SIDE
6		PANEL ASS'Y, RH.FLOOR	16	62016-M154-000001	DUCT, LH.SIDE
		PANEL ASS'Y, RH.FLOOR	17	9A160-1048-013X0H	SCREW, SPECIAL, 5x14
7		PANEL ASS'Y, LH.FLOOR	18	91205-0042-017T1X	SCREW, TAPPING, ST4.2x17x11
		PANEL ASS'Y, LH.FLOOR	19	91207-1050-117T1X	NUT, CLIP, 5mm
8	62024-M154-000003	CAP, FLOOR PANEL	20	B090740106001271X	BOLT, WASHER, 6x12
9	62015-M154-010001	FLOOR PANEL, RH.	21	B090740106002071X	BOLT, WASHER, 6x20
		FLOOR PANEL, RH.	22	9A133-1048-016X0H	SCREW, TAPPING,ST4.8X16
10	62015-M154-000001	FLOOR PANEL, LH.	23	91205-0042-017T1X	SCREW, TAPPING, ST4.2x17x11
		FLOOR PANEL, LH.	24	9A118-1060-016Z00	BOLT, FLANGE, 6x16



F-15 FUEL TANK

DRACO

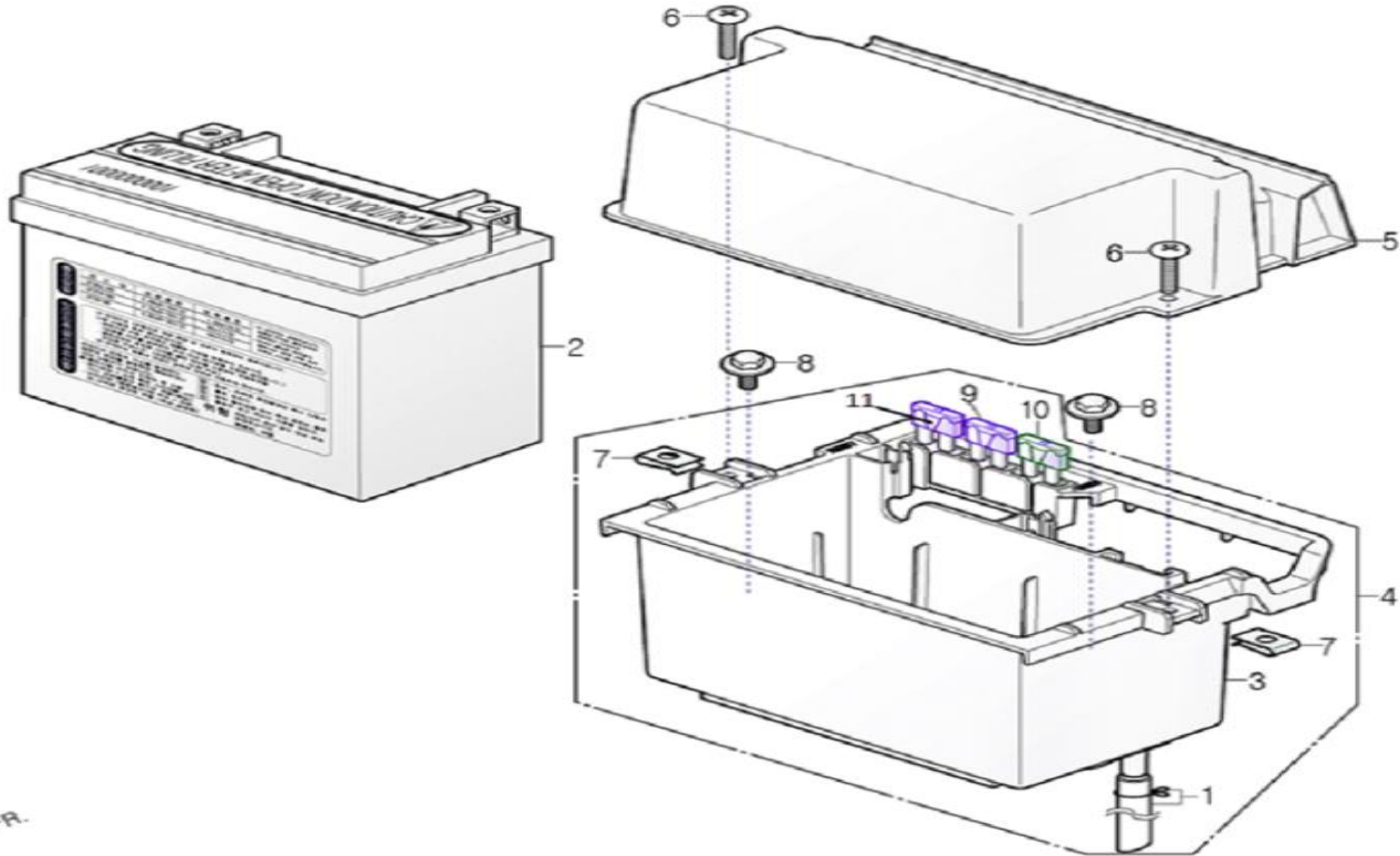
NO	PART NO	PART NAME	NO	PART NO	PART NAME
1	38038-M154-000003	CLAMP, FUEL HOSE	7	19410-M154-020001	CLAMP, TUBE
2	17970-0000-180001	PUMP ASS'Y, FUEL	8	613160740ZGT0000X	TUBE, BREATHER
3	61100-M154-020001	TANK COMP., FUEL	9	85430-M154-000001	HOSE, FUEL
4	38040-M154-000003	PLATE, FUEL PUMP SETTING	10		PACKING RUBBER, FUEL PUMP
5	17001-M154-010001	TUBE, FUEL SUPPLY	11	B061770106000061X	NUT, FLANGE, 6mm
6	19410-M154-010001	CLIP, TUBE	12	B057890006001271X	BOLT, FLANGE, 6x12



F-16 BATTERY

DRACO

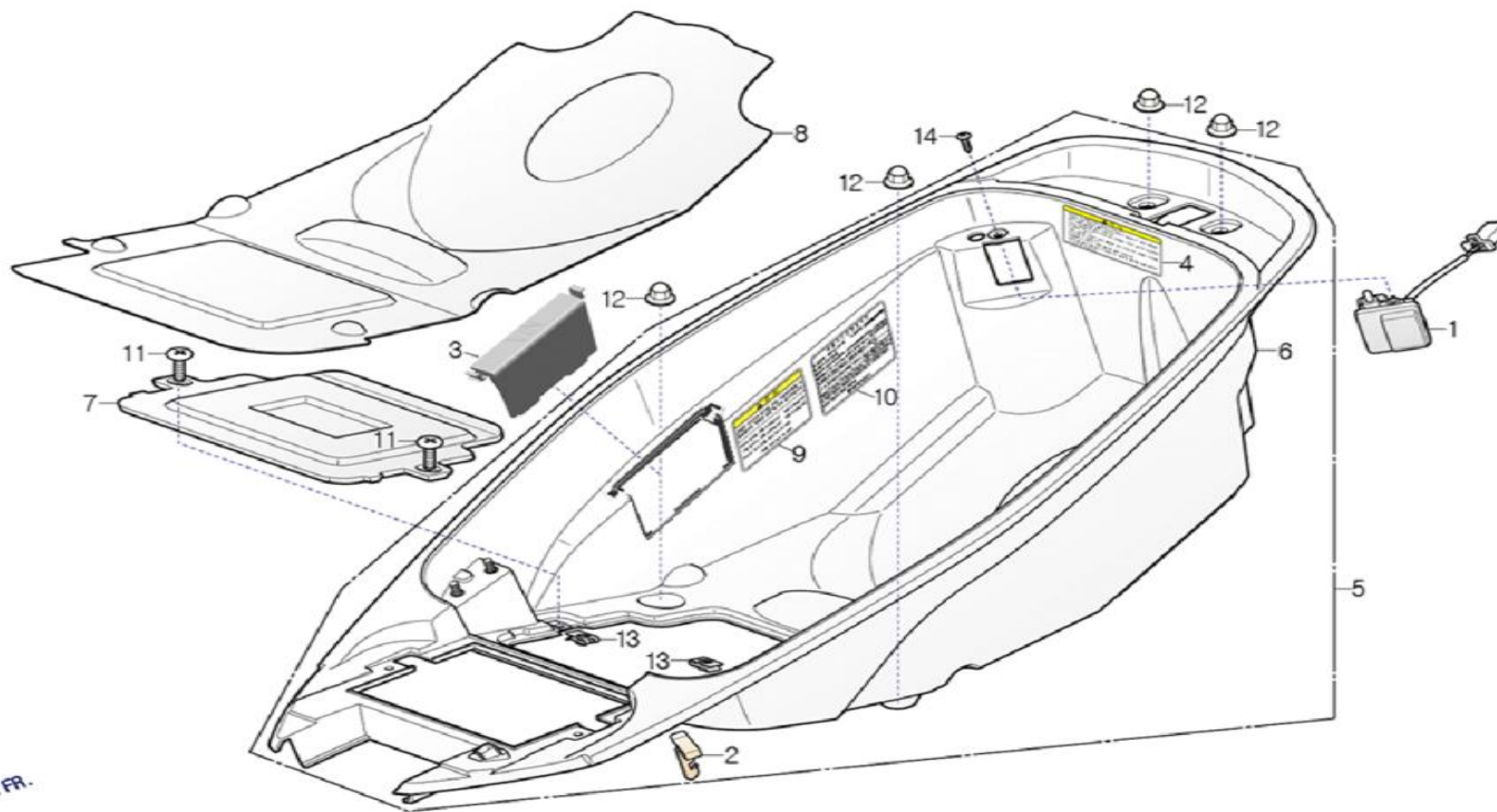
NO	PART NO	PART NAME	NO	PART NO	PART NAME
1	41158-M154-020002	VINYL TUBE 6x9x480	7	91207-1050-117T1X	NUT, CLIP, 5mm
2	83200-0000-000006	BATTERY 12V 10AH(MF)	8	B090740106001670H	BOLT, WASHER, 6x16
3	63013-M154-000001	BOX, BATTERY	9	85174-0000-000002	BLADE FUSE 15A
4		BOX ASS'Y, BATTERY	10	85174-0000-000001	BLADE FUSE 30A
5	63014-M154-000001	COVER, BATTERY	11	85174-0000-000004	BLADE FUSE 10A
6	9A131-1050-02070H	SCREW, FR.COVER SETTING, 5x20			



F-17 LUGGAGE BOX

DRACO

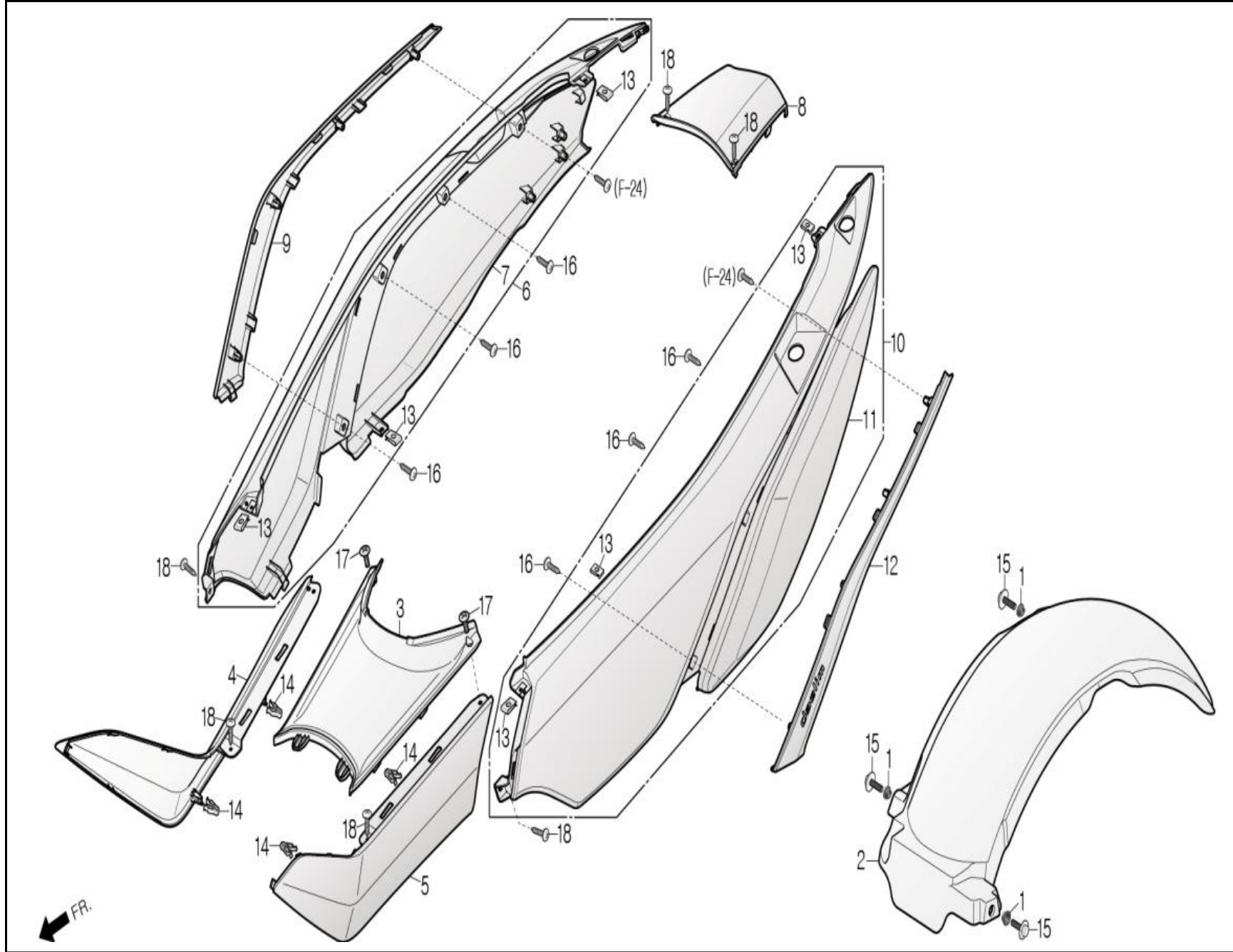
NO	PART NO	PART NAME	NO	PART NO	PART NAME
1	86860-M154-010002	LAMP ASS'Y, TRUNK	8	42429-M154-010001	MAT, LUGGAGE BOX
2	38001-M154-000003	HOOK, HELMET	9	630ED-M154-010000	LABEL, TIRE
3	62022-M154-010001	CAP, NUMBERING	11	9A131-1050-01670H	SCREW, SPECIAL, 6x16
4	630FY-M154-010001	LABEL, LUGGAGE BOX CAUTION	12	91202-1060-01231X	NUT, 6mm OPEN STAY
5		BOX ASS'Y, LUGGAGE	13	91207-1050-117T1X	NUT, CLIP, 6mm
6	42001-M154-000001	BOX, LUGGAGE	14	9A160-1048-013X0H	SCREW, TAPPING, 5x16
7	63015-M154-000001	COVER, ENGINE MAINTENANCE			



F-18 CENTER COVER / BODY COVER

DRACO

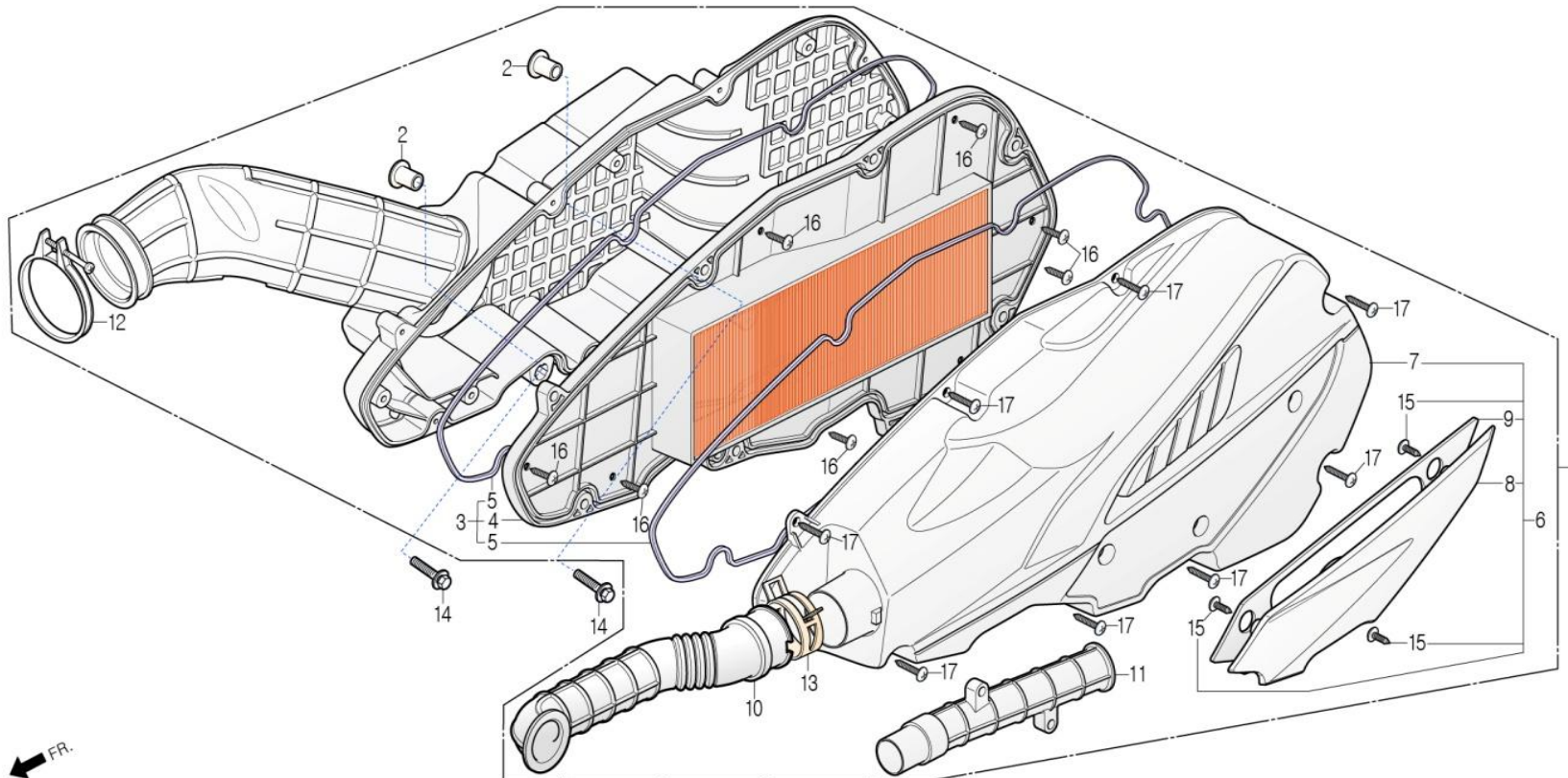
NO	PART NO	PART NAME	NO	PART NO	PART NAME
1	91302-9060-13041X	COLLAR, FRONT FENDER	9	63019-M154-000001	COVER, RH.BODY SIDE
2	63012-M154-000001	MUDGUARD, RR.WHEEL	10		COVER ASS'Y, LH.BODY
3	62023-M154-000004	COVER, CENTER	11	63016-M154-000069	COVER, LH.BODY (RED)
4	63021-M154-000022	COVER, RH.CENTER SIDE UPPER (RED)		63016-M154-000068	COVER, LH.BODY (BLUE)
	63021-M154-000026	COVER, RH.CENTER SIDE UPPER (BLUE)		63016-M154-000067	COVER, LH.BODY (BLACK)
	63021-M154-000025	COVER, RH.CENTER SIDE UPPER (BLACK)	12	63018-M154-000001	COVER, LH.BODY SIDE
5	63020-M154-000022	COVER, LH.CENTER SIDE UPPER (RED)	13	91205-0042-017T1X	SCREW, TAPPING, ST4.2×17×11
	63020-M154-000026	COVER, LH.CENTER SIDE UPPER (BLUE)	14	63304-M154-000001	FASTENER CLIP
	63020-M154-000025	COVER, LH.CENTER SIDE UPPER (BLACK)	15	B090740106002071X	BOLT, WASHER, 6x20
6		COVER ASS'Y, RH.BODY	16	9A160-1048-013X0H	SCREW, TAPPING, 5x12
7	63017-M154-000069	COVER, RH.BODY (RED)	17	9A133-1042-013X0H	SCREW, TAPPING, 4.2x13
	63017-M154-000068	COVER, RH.BODY (BLUE)	18	9A133-1042-013X0H	SCREW, TAPPING, 4.2x13
	63017-M154-000067	COVER, RH.BODY (BLACK)			
8	63023-M154-000015	COVER, RR.UPPER (RED)			
	63023-M154-000019	COVER, RR.UPPER (BLUE)			
	63023-M154-000018	COVER, RR.UPPER (BLACK)			



F-19 AIR CLEANER

DRACO

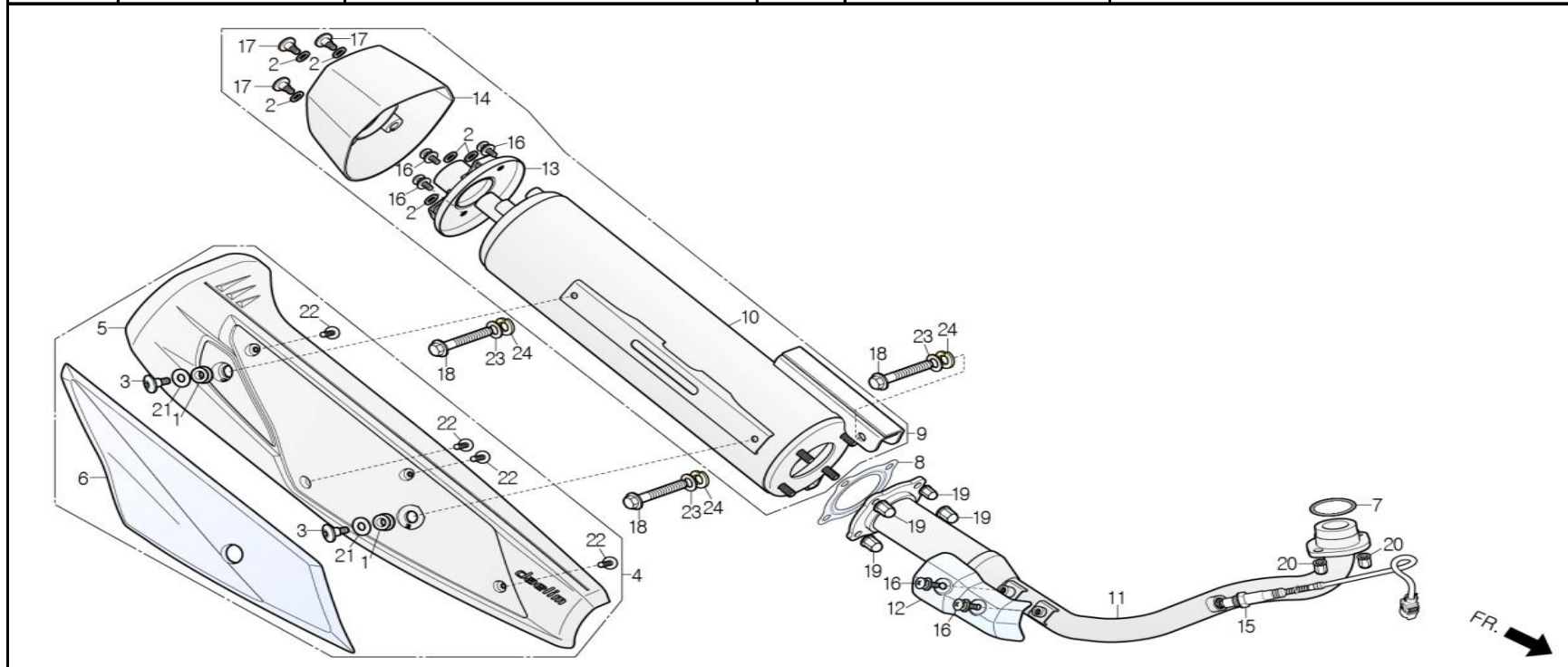
NO	PART NO	PART NAME	NO	PART NO	PART NAME
1	16100-M154-000001	CLEANER ASS'Y, AIR	10	16109-M154-000001	DUCT A, AIR CLEANER INLET
2	16127-M154-000001	COLLAR, AIR CLEANER SETING	11	16103-M154-000001	DUCT B, AIR CLEANER INLET
3		ELEMENT ASS'Y, AIR CLEANER	12	16125-M154-000001	BAND 50, AIR CLEANER CONNECTING TUBE
4	16101-M154-000001	ELEMENT COMP., AIR CLEANER	13	19410-M154-010001	CLIP, TUBE
5		SEAL, AIR CLEANER	14	B090740106003271X	BOLT, WASHER, 6x32
6		COVER ASS'Y, AIR CLEANER	15		SCREW, TAPPING, 5x12
7	16105-M154-000001	COVER, AIR CLEANER CASE	16		SCREW, TAPPING, 5x20
8	16131-M154-000001	COVER, AIR CLEANER COVER	17		SCREW, TAPPING, 5x30
9	16180-M154-000001	DAMPER RUBBER, AIR CLEANER			



F-20 EXHAUST MUFFLER

DRACO

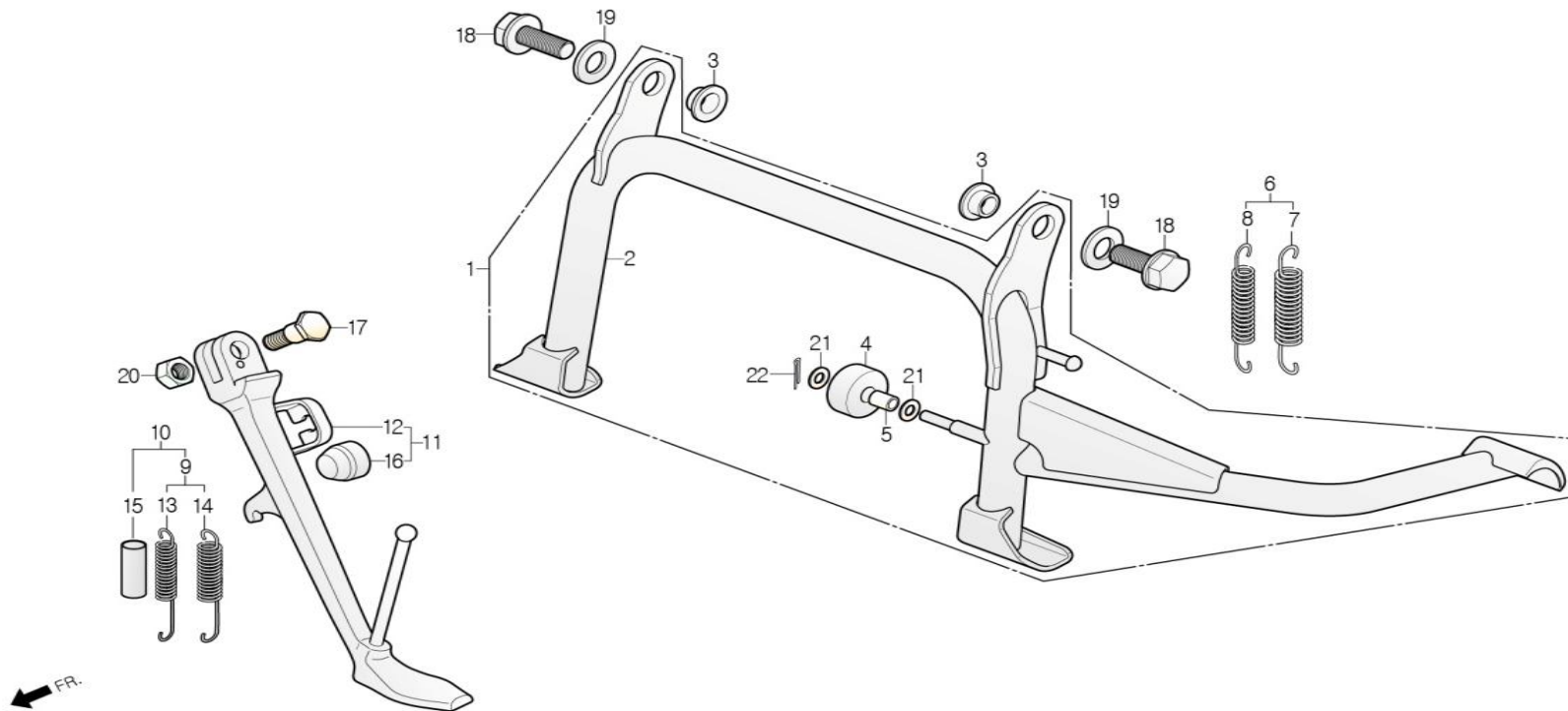
NO	PART NO	PART NAME	NO	PART NO	PART NAME
1	35101-M154-020003	RUBBER, MUFFLER	13	18017-M154-000001	PLATE COMP., TAIL
2	91311-M154-000001	WASHER, MUFFLER	14	18003-M154-000001	CAP, MUFFLER END
3	9A139-1060-018Z00	BOLT, MUFFLER. PROTECTOR	15	17950-0000-060001	SENSOR, OXYGEN
4		PROTECTOR ASS'Y, MUFFLER	16	B0907454060014Z00	SCREW, TORUS, 6x14
5	18001-M154-000001	PROTECTOR, MUFFLER	17	9A139-1060-01571X	BOLT, SPECIAL, 6mm
6	18002-M154-000003	PROTECTOR, MUFFLER UPPER	18	B057890008004571X	BOLT, SPECIAL FLANGE, 8x45(H.tension)
7	18030-M154-000001	GASKET, EX.PIPE	19	91202-1080-01930V	NUT, FLANGE CAP, 8mm
8	1805F-M154-000001	GASKET, EX.PIPE FLANGE	20	91126-1080-03060V	NUT, SPECIAL, 8mm
9		MUFFLER ASS'Y	21	91301-9085-119Z00	WASHER, 8mm
10	1806H-M154-000008	MUFFLER COMP.	22	9A160-1048-013X0H	SCREW, TAPPING, 4.8x13
11	1804L-M154-000005	PIPE COMP., EXHAUST	23	B0009701080000K1X	WASHER, PLAIN, 8mm
12	1804C-M154-000001	PROTECTOR, EX.PIPE	24	B000930008000001X	WASHER, SPRING, 8mm



F-21 STAND

DRACO

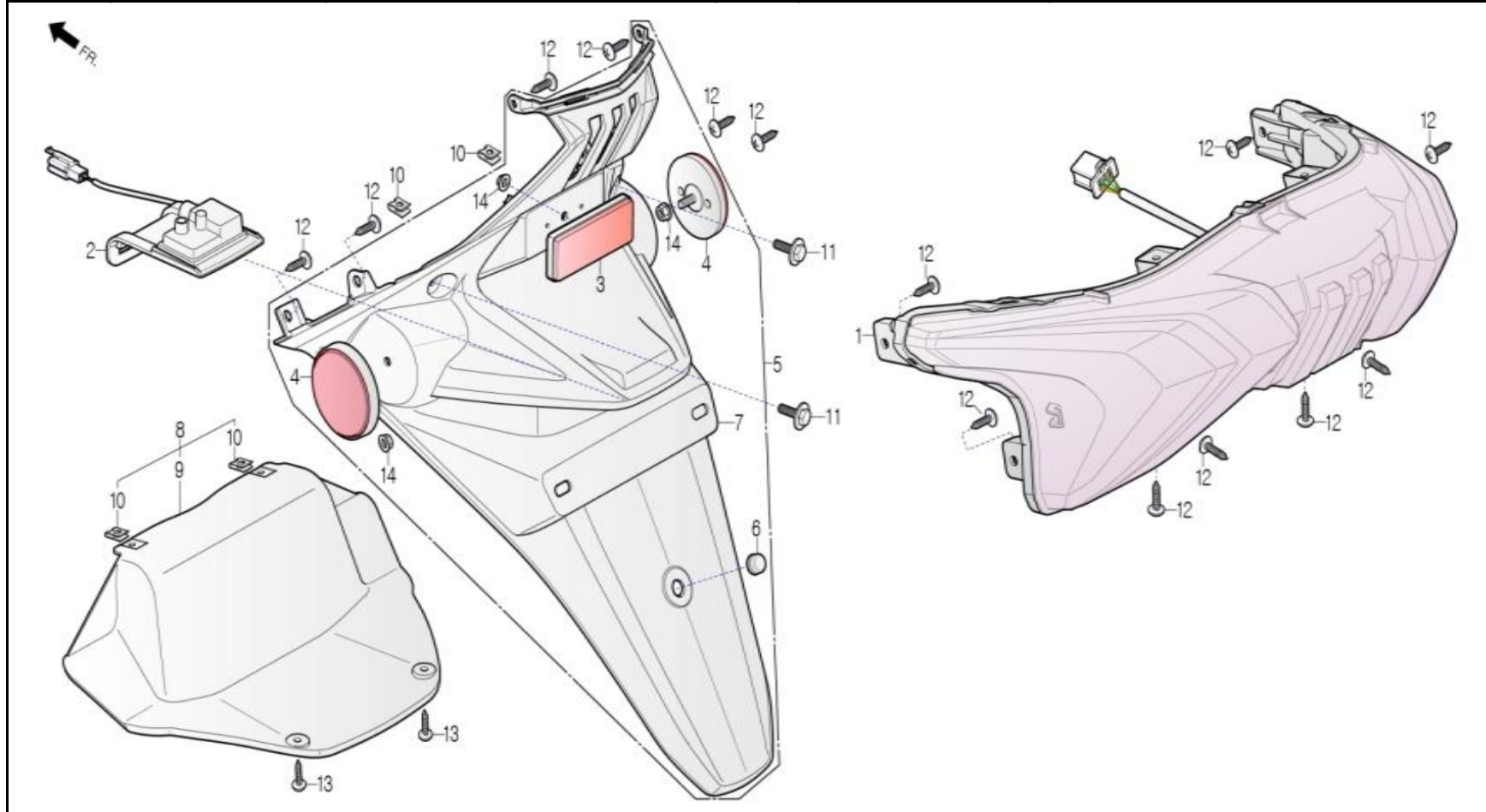
NO	PART NO	PART NAME	NO	PART NO	PART NAME
1	32200-M154-000003	STAND ASS'Y, MAIN	13		SPRING, SIDE STAND INNER
2	32203-M154-000001	STAND COMP., MAIN	14		SPRING, SIDE STAND OUTER
3	32201-M154-000003	COLLAR, MAIN STAND	15	32117-M154-000003	COVER, SIDE STAND SPRING
4	32000-11F1-000001	STOPPER RUBBER, MAIN STAND	16	3213D-M154-000001	RUBBER, STAND STOPPER
5	32208-M154-000001	COLLOR, STOPPER RUBBER	17	91113-6100-23371X	SCREW, SIDE STAND PIVOT
6	32202-M154-000005	SPRING SET, MAIN STAND	18	B057892010002571X	BOLT, FLANGE, 10x25
7		SPRING, MAIN STAND OUTER	19	B0009701100000K1X	WASHER, MAGNETO FIXING
8		SPRING, MAIN STAND INNER	20	B061710010000061X	NUT, HEX, 10mm
9	32102-M154-030006	SPRING SET, SIDE STAND	21	3220K-M154-000001	WASHER, PLAIN, 6mm
10		SPRING SET, SIDE STAND	22	B000910002001601X	PIN, SPLIT, 1.8x12
11	32130-M154-000001	STAND ASS'Y, SIDE	23	32280-M154-000001	Engine Stop Switch
12		BAR COMP., SIDE STAND	24	B057890006002071X	BOLT, FLANGE, 6x20



F-24 REAR COMBINATION LIGHT / REAR FENDER

DRACO

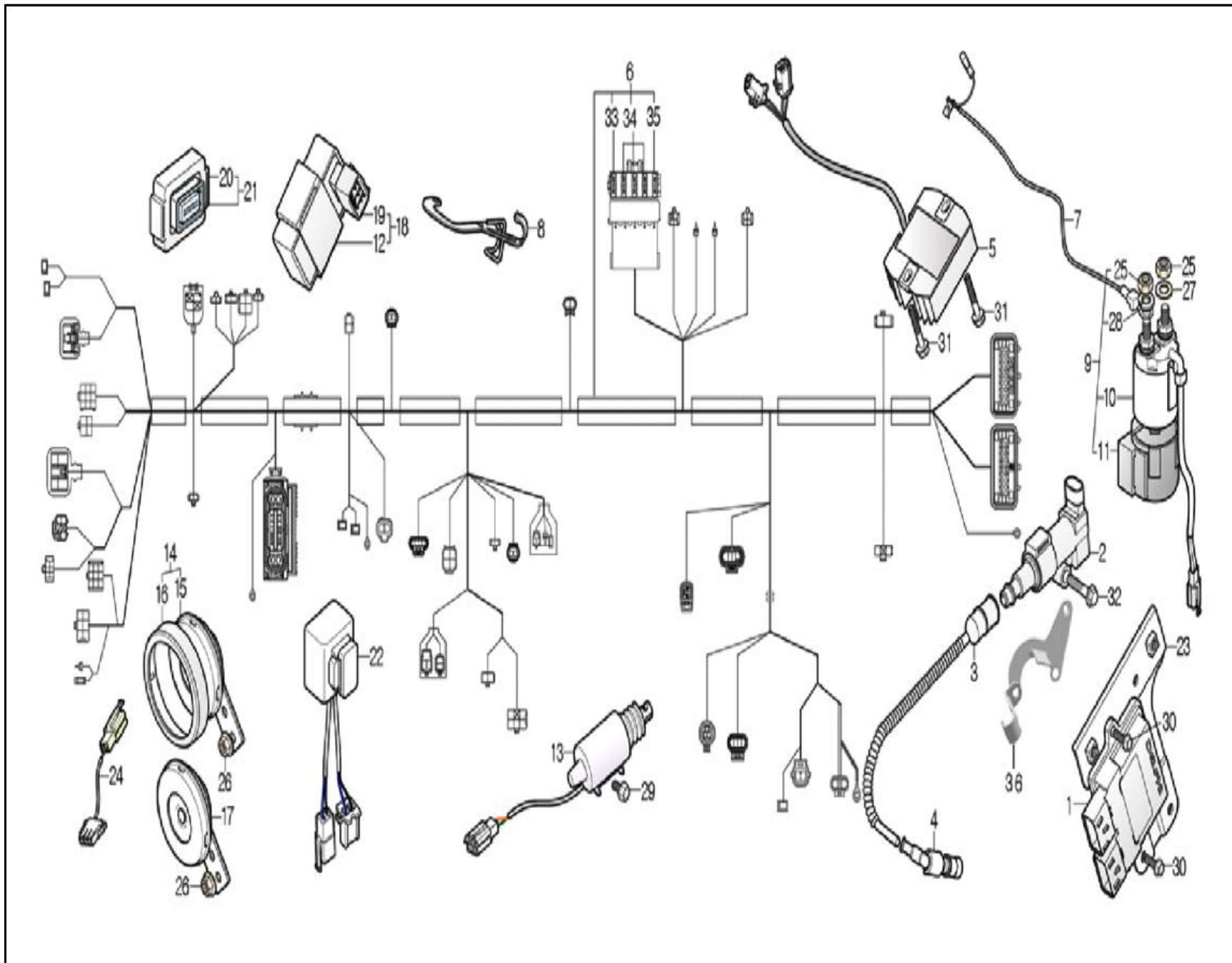
NO	PART NO	PART NAME	NO	PART NO	PART NAME
1	86200-M154-000006	LIGHT ASS'Y, TAIL	8		MUDGUARD ASS'Y, RR.
2	86700-M154-000004	LICENSE LAMP ASS'Y	9	63024-M154-000001	MUDGUARD, RR.
3	85830-M154-000004	REFLECTOR, RR.REFLEX	10	91205-0042-017T1X	SCREW, TAPPING, ST4.2×17×11
4	85850-M154-000003	REFLECTOR, SIDE REFLEX	11	B090740106001670H	BOLT, WASHER, 6x16
5		FENDER ASS'Y, RR.	12	9A160-1048-013X0H	SCREW, TAPPING, 4.8x13
6	63241-M154-000002	RUBBER, LICENSE PLATE	13	9A133-1042-013X0H	SCREW, TAPPING, 4.2x13
7	63022-M154-000001	FENDER, RR.	14	B061770106000061X	NUT, FLANGE, 6mm



F-26 WIRE HARNESS / IGNITION COIL

DRACO

NO	PART NO	PART NAME	NO	PART NO	PART NAME
1	85400-0000-010037	UNIT, ENGINE CONTROL	19		RELAY COMP., WINKER
2	81100-M954-0100	UNIT, IGNITION COIL	20		SUSPENSION, COMBINATION RELAY
3	81130-M154-000002	HIGH TENSION CORD COMP.	21	84146-M154-000005	RELAY ASS'Y, COMBINATION
4	81110-M154-000001	CAP ASS'Y, NOISE SUPPRESSOR	22	84330-M154-000003	FILTER ASS'Y, MOTOR EMI.
5	83100-M154-000004	RECTIFIER ASS'Y, REGULATOR	23	38014-M154-000003	PLATE COMP., ECU
6	85100-M154-000010	HARNESS, WIRE	24	85151-M154-000001	SUB CORD, SEAT OPEN SWITCH
7	85110-M154-000001	CABLE, START MAGNATIC BATTERY	25	B061770106000061X	NUT, HEX, 6mm(Y)
8	38039-M154-000003	STAY COMP., WIRE HARNESS	26	B061770106000061X	NUT, FLANGE, 6mm
9	82290-M154-000002	SWITCH SET, START MAGATIC	27	B0009701060000K1X	WASHER, PLAIN, 6mm
10		SWITCH ASS'Y, START MAGNATIC	28	B000930006000001X	WASHER, SPRING, 6mm
11		SHOCK RUBBER, MAGNETIC	29	B057890006001271X	BOLT, FLANGE, 6x12
12		RUBBER, WINKER RELAY SHOCK	30	B057890006001671X	BOLT, FLANGE, 6x16
13	84510-M154-000001	SOLENOID, SEAT OPEN	31	B166740106002271X	BOLT, FLANGE, 6x22
14	85520-M154-000005	HORN ASS'Y, HIGH	32	B057890006003571X	BOLT, FLANGE, 6x35
15		HORN COMP., HIGH	33	85174-0000-000004	BLADE FUSE 10A
16		RING, HORN	34	85174-0000-000002	BLADE FUSE 15A
17	85530-M154-000002	HORN COMP., LOW	35	85174-0000-000001	BLADE FUSE 30A
18	85600-I126-C10001Q	RELAY ASSY, LED WINKER	36	68010-M154-000001	Bracket,ignition coil



F-27 FRAME BODY

DRACO

NO	PART NO	PART NAME	NO	PART NO	PART NAME
1		RIVET, BLIND, 3.2x8.5	11	31232-M154-000000	TAPE, FRAME NO.MASKING
2	31100-M154-060001	BODY COMP., FRAME	12		LABEL, CERTIFICATION
3	32310-M154-000001	LINK COMP., ENGINE.HANGER	13	32381-M154-000001	
4		LINK ASS'Y, ENGINE HANGER	14	91136-6120-05571X	BOLT, FLANGE, 12x55
5	83209-M154-020003	RUBBER, LINK STOPPER	15	91126-6100-01061X	NUT, U, 10mm
6	38035-M154-000001	BUSH, ENGINE HANGER RUBBER	16	9A133-1042-013X0H	SCREW, TAPPING, 4.2x13
7	38010-M154-000003	BOARD COMP., RH.FLOOR	17	B057890006001271X	BOLT, FLANGE, 6x12
8	38011-M154-000003	BOARD COMP., LH.FLOOR	18	B057890008005071X	BOLT, FLANGE, 8x50
9	38019-M154-010001	PIPE COMP., FR.TOP	19	32311-M154-000001	
10	33001-M154-000002	PLATE, FR.SPLASH GUARD			

