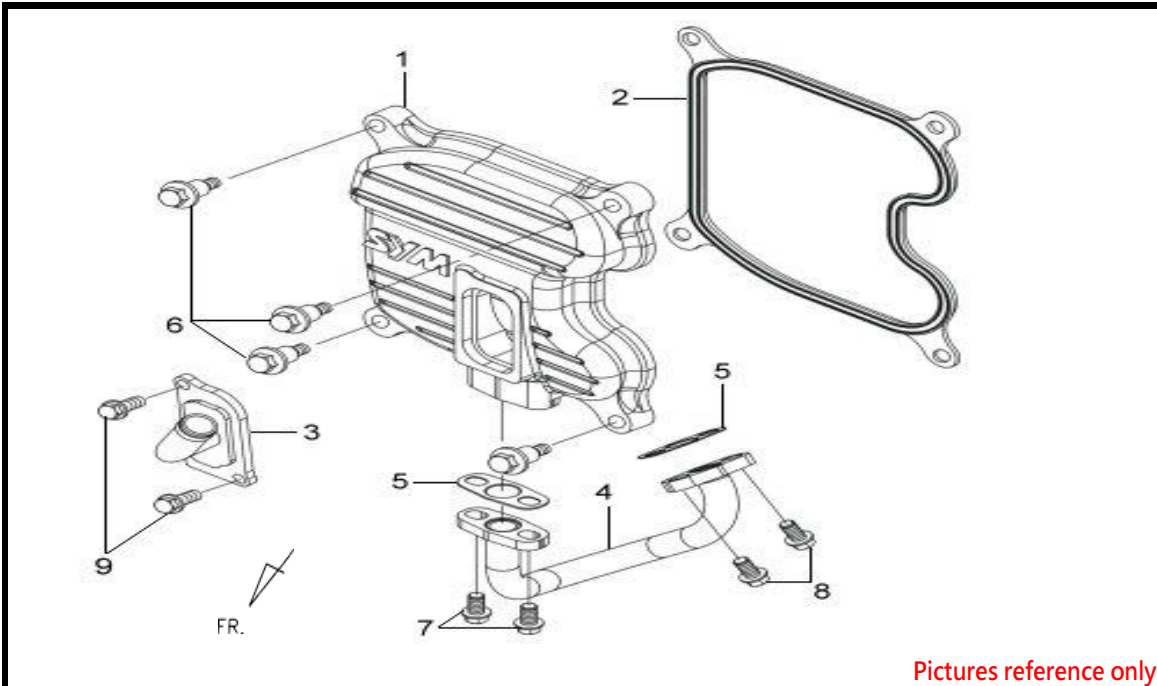


E01 CYLINDER HEAD COVER

LM25W5-PC [GTS 250i EVO]



Pictures reference only

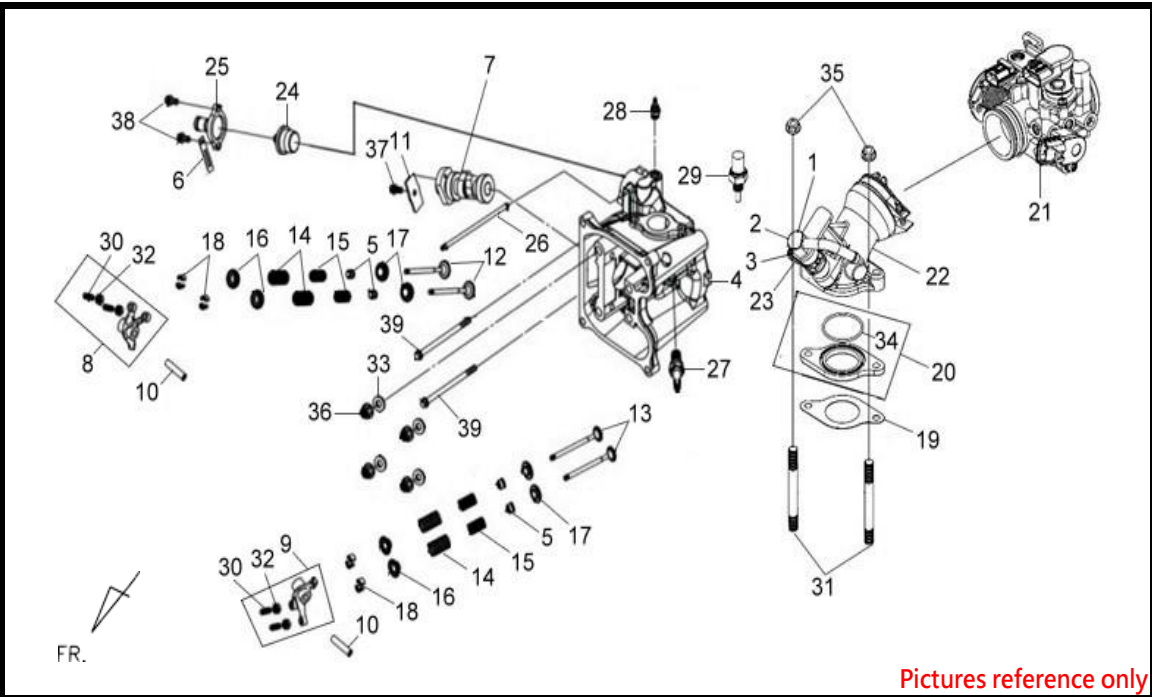
PARTS NUMBER		DESCRIPTION	Q T Y	EFFECTIVE DATE
1	12301-HMA-000	CYLINDER HEAD COVER	1	
2	12391-HMA-000	CYLINDER HEAD COVER GASKE	1	
3	18610-HKA-000	REED VALVE COMP	1	
4	18647-HMA-000	AIR PIPE COMP	1	
5	18654-N14-000	AIR PIPE GASKET	1	
6	90002-HMA-000	CYLINDER HEAD COVER BOLT	4	
7	96001-06014-00	FLANGE BOLT SH 6X14	2	
8	96001-06016-00	FLANGE BOLT SH 6X16	2	
9	96001-06016-00	FLANGE BOLT SH 6X16	2	

 TEAMWORLD IND. 2012.06

※ Please check the color & stripe information according to the color index !

E02 CYLINDER HEAD ASSY

LM25W5-PC [GTS 250i EVO]



Pictures reference only

PARTS NUMBER	DESCRIPTION	QTY	EFFECTIVE DATE	
1 06414-HMC-000	FUEL INJECTOR	1		
2 06415-A5L-000	O-RING	1		
3 06416-A5L-000	SEAL-RING	1		
4 12200-HMC-000	CYLINDER HEAD COMP	1		
5 12209-H6B-900	VALVE STEM SEAL	4		
6 12342-X01-000	CLAMP	1		
7 14100-HML-000	CAM SHAFT COMP	1		
8 1443A-HMA-000	IN. VALVE ROCKER ARM ASSY	1		
9 1444A-HMA-000	EX. VALVE ROCKER ARM ASSY	1		
10 14451-HMA-000	ROCKER ARM SHAFT	2		
11 14457-HMA-000	CAM SHAFT SETTING PLATE1.	1		
12 14711-HMA-000	INLET VALVE	2		
13 14721-HMA-000	EXHAUST VALVE	2		
13 14721-RFS-000	EX.VALVE	2	2013/8/1	Y
14 14751-HMA-000	VALVE OUTER SPRING	4		
15 14761-HMA-000	INNER VALVE SPRING	4		
16 14771-GB4-680	VALVE SPRING RETAINER	4		
17 14777-KN7-670	VALVE SPRING SEAT	4		
18 14781-M9Q-000-A	VALVE COTTER SET(1SET/4PCS)	8		
19 16201-HMC-000	CARB. INSULATOR GASKET	1		
20 1621A-HMC-000	CARBURETOR INSULATOR ASSY	1		
21 16401-HWA-000	THROTTLE BODY ASSY	1		
22 1711A-HMC-000	INLET PIPE ASSY	1		
23 17120-HMC-000	FUEL INJECTOR CUP	1		
24 19300-HMA-000	THERMOSTAT ASSY.	1		
25 19315-LEA-000	THERMOSTAT COVER	1		

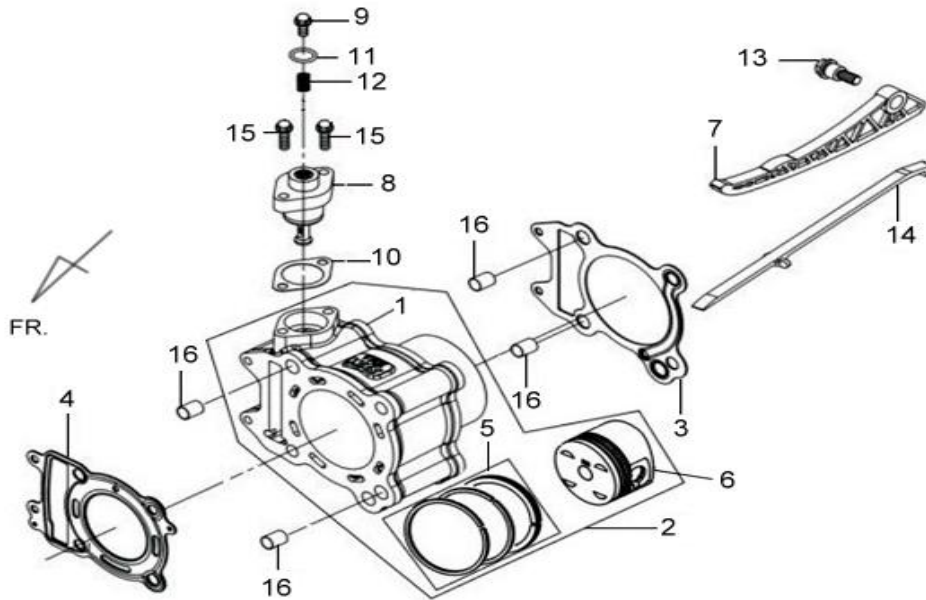
26	1951A-HMA-000	THERMOSTAT TUBE ASSY.	1	
27	1PCR8E-3	PLUG CR8E	1	
28	37750-PC1-004	THERMO UNIT ASSY	1	
29	37880-HMC-000	TW SENSOR	1	
30	90012-HLK-000	TAPPET ADJUSTING SCREW	4	
31	90032-HMA-000	CYLINDER STUD BOLT B	2	
32	90206-HLK-000	TAPPET ADJUSTING NUT	4	
33	90442-HMA-000	SEAL WASHER	4	
34	91308-HMA-000	O-RING 34*2.0	1	
35	94050-06000	FLANGE NUT 6MM	2	
36	94050-10080	FLANGE NUT 10MM	4	
37	96001-06014-00	FLANGE BOLT SH 6X14	1	
38	96001-06016-00	FLANGE BOLT SH 6X16	2	
39	96001-06090-00	FLANGE SH BOLT 6X90	2	

 **TEAMWORLD IND. 2012.06**

※ Please check the color & stripe information according to the color index !

E03 CYLINDER COMP

LM25W5-PC [GTS 250i EVO]



Pictures reference only

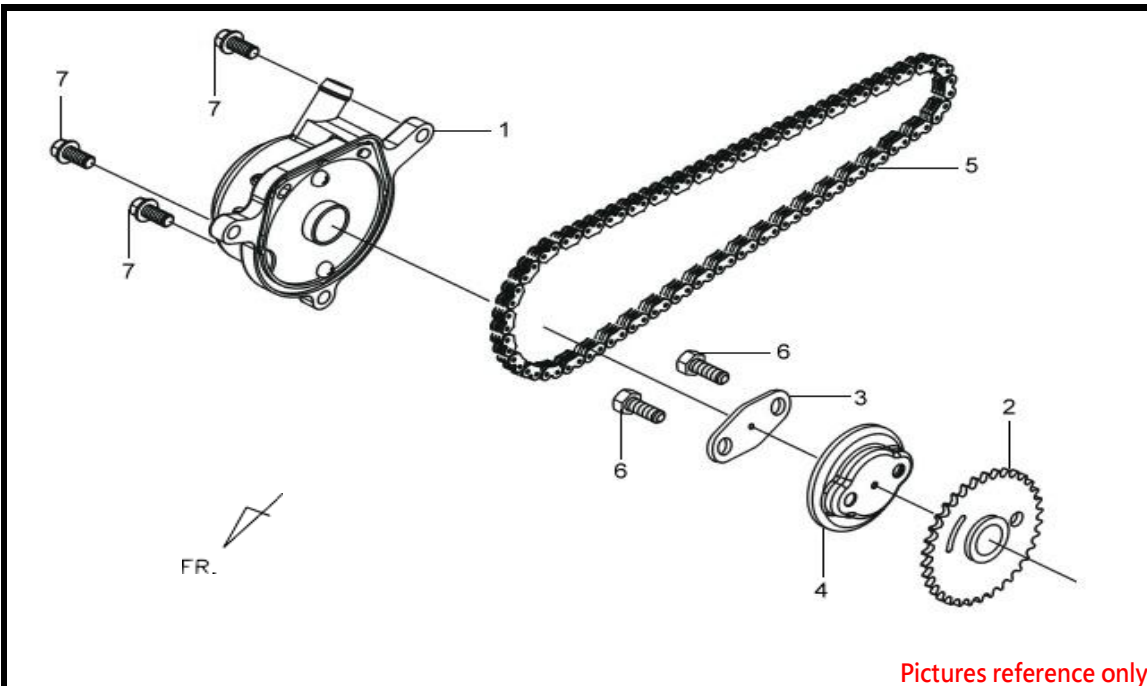
PARTS NUMBER	DESCRIPTION	QTY	EFFECTIVE DATE
1 12100-HMA-000	CYLINDER COMP	1	
2 12100-HMA-000-A	CYLINDER SET	1	
3 12191-HMA-000	CYLINDER GASKET	1	
4 12251-HMA-000	CYLINDER HEAD GASKET	1	
5 13010-HMA-000	PISTON RING SET	1	
6 13101-HMA-000	PISTON	1	
7 14510-RFA-000	CAM CHAIN TENSIONER	1	
8 14520-H6T-000	TENSIONER LIFTER	1	
9 14522-H6T-000	TENSIONER ADJUSTER BOLT	1	
10 14523-M9Q-000	TENSIONER LIFTER GASKET	1	
11 14524-H6T-000	OIL-RING	1	
12 14525-H6T-000	ADJUSTER SPRING	1	
13 14531-KJ9-000	CAM CHAIN TENSIONERPIVOT	1	
14 14610-RFA-000	CAM CHAIN GUIDE	1	
15 90001-M9Q-000	FLANGE SHF BOLT 6X22	2	
16 94301-12200	DOWEL PIN 12*20	4	

 TEAMWORLD IND. 2012.06

※ Please check the color & stripe information according to the color index !

E04 CYLINDER HEAD SIDE COVER

LM25W5-PC [GTS 250i EVO]



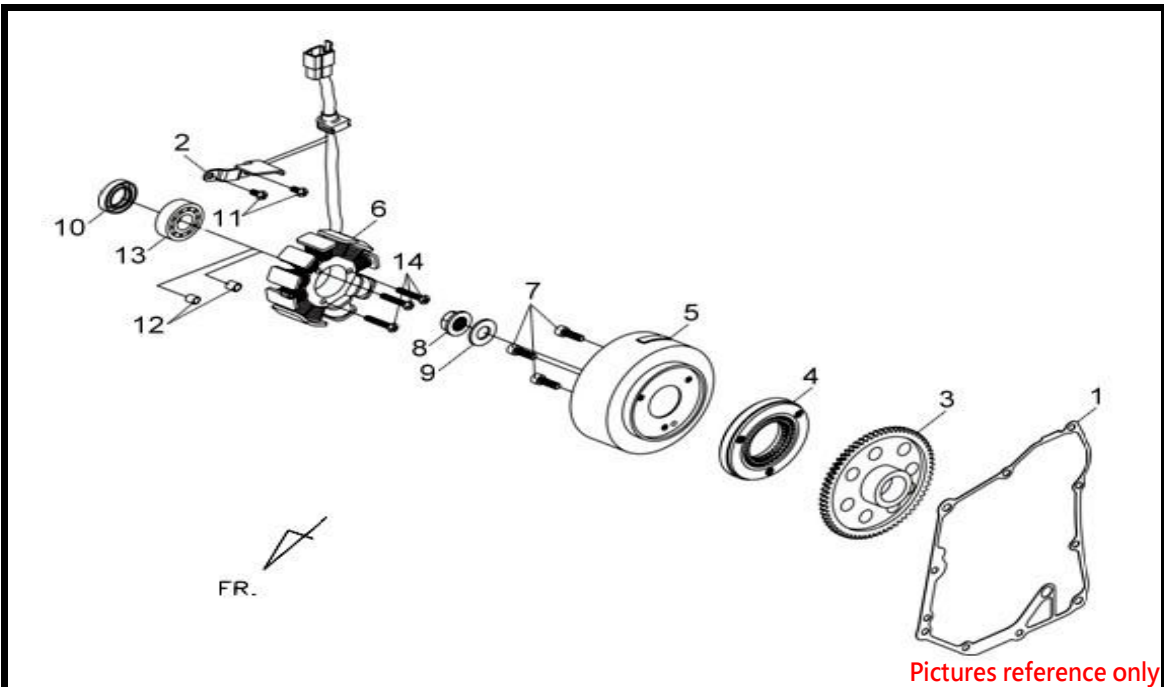
Pictures reference only

PARTS NUMBER		DESCRIPTION	QTY	EFFECTIVE DATE
1	1231A-HMA-000	CYLINDER HEAD COVER ASSY	1	
1-1	91301-HMA-000	HEAD SIDE COVER O-RING	1	
2	14105-RFA-000	CAM SPROCKET	1	
3	14105-X01-000	CAM SPROCKET WASHER	1	
4	14108-M36-000	CENTRIFUGAL DISK	1	
5	1C14401-RFA-000	CAM CHAIN 92RH2010-100L	1	
6	92101-06016-0H	HEX BOLT 6*16	2	
7	96001-06018-00	FLANGE BOLT SH 6X18	3	

※ Please check the color & stripe information according to the color index !

E05 A.C.G. ASSY

LM25W5-PC [GTS 250i EVO]



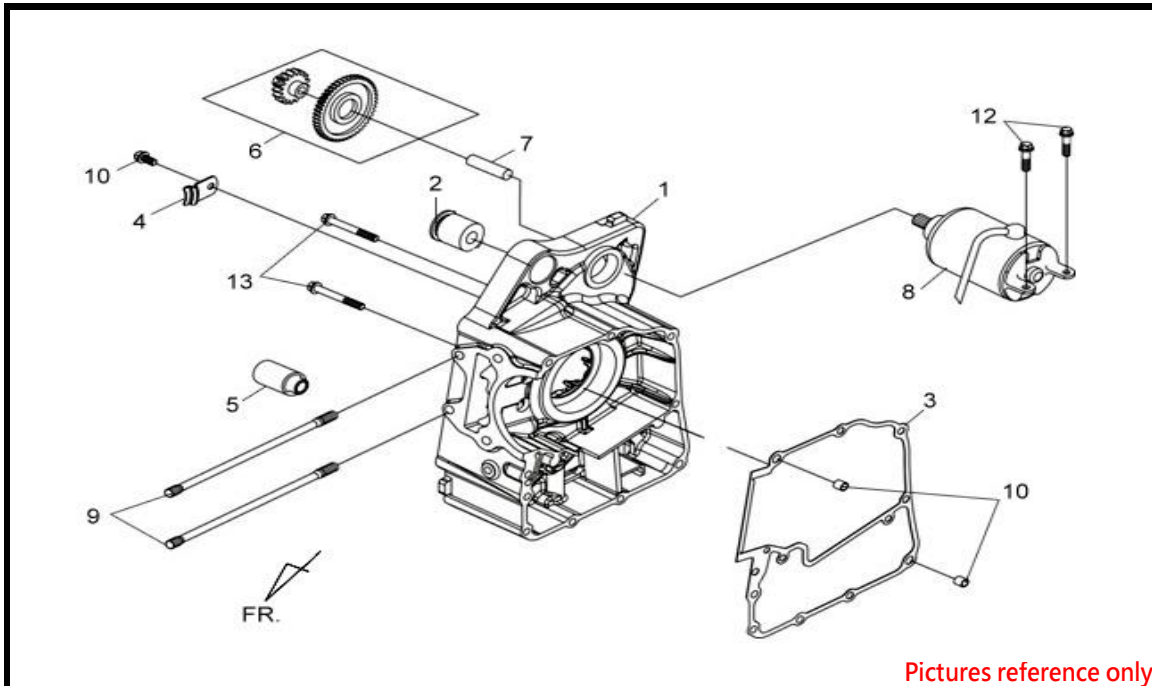
Pictures reference only

PARTS NUMBER	DESCRIPTION	QTY	EFFECTIVE DATE
1 11394-HMA-000	R. CRANK CASE COVER GASKET	1	
2 15713-HMC-010	OIL BAFFLEPLATE	1	
3 28110-HMA-000	STARTING CLUTCH GEAR COMP	1	
4 2812A-HMA-000	ONE WAY CLUTCH ASSY	1	
5 31110-HMC-000	FLYWHEEL COMP	1	
6 31120-HMC-000	STATOR COMP	1	
7 90157-F3G-000	SOCKET BOLT 8X20	3	
8 90201-KR8-751-M1	FLANGE NUT 14MM	1	
9 90401-KJ9-000	THRUST WASHER 14X28X2	1	
10 91202-HMA-000	OIL SEAL	1	
11 93500-05016-0A	PAN SCREW 5X16	2	
12 94301-08140	DOWEL PIN 8X14	2	
13 96140-62013-10	RADIAL BALL BRG. 6201LUC3	1	
14 96001-06040-00	FLANGE BOLT 6X40	3	

※ Please check the color & stripe information according to the color index !

E06 R. CRANK CASE COMP

LM25W5-PC [GTS 250i EVO]

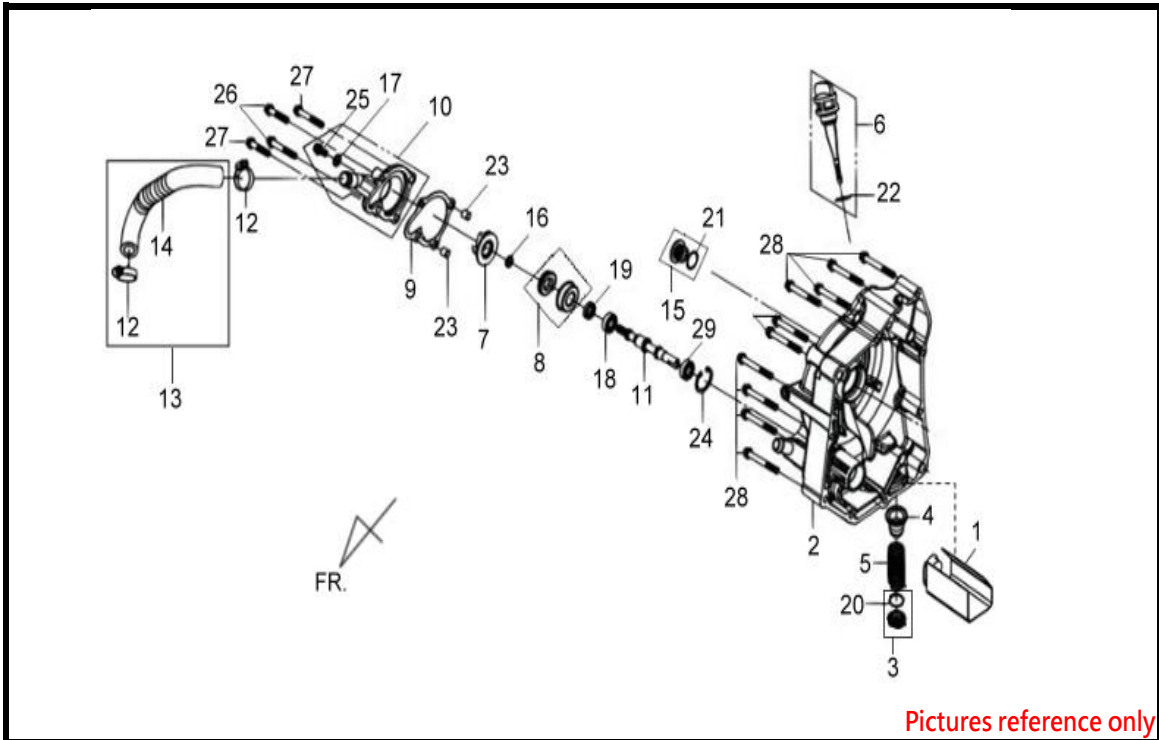


PARTS NUMBER	DESCRIPTION	QTY	EFFECTIVE DATE	
1 11100-HMA-001	R. CRANK CASE COMP	1		
2 11120-LEA-000	ENGINE HANGER BUSE ASSY	1		
3 11191-HMA-000	CRANK CASE GASKET	1		
4 14151-RFA-000	CAM CHAIN SETTING PLATE	1		
5 15200-HML-000	OIL RELIEF VALVE ASSY	1		
6 28100-HMA-000	STARER RED.GEAR COMP	1		
7 28102-HMA-000	START.REDUCTION GEAR SHAFT	1		
8 31200-HMA-000	START MOTOR ASSY.	1		
8 31200-HMA-100	START MOTOR ASSY	1	2013/4/22	N
9 90031-HMA-000	CYLINDER STUD BOLT A	2		
10 94301-08140	DOWEL PIN 8X14	2		
11 96001-06012-08	FLANGE BOLT SH 6X12	1		
12 96001-06022-00	FLANGE BOLT SH 6X22	2		
13 96001-06055-00	BOLT FLANGE SH 6X55	2		

※ Please check the color & stripe information according to the color index !

E07 R. CASE COVER

LM25W5-PC [GTS 250i EVO]



PARTS NUMBER	DESCRIPTION	QTY	EFFECTIVE DATE
1 11107-HMA-000	MAGNET PLATE	1	
2 11330-HMA-000	R. CASE CRANK COVER COMP	1	
3 1236A-V02-000	TAPPET ADJ HOLE CAP ASSY	1	
4 15421-B9D-000	OIL FILTER SCREEN	1	
5 15426-GE1-920	OIL FILTER SCREW SPRING	1	
6 1565A-HMA-000	OIL LEVEL GAUGE ASSY	1	
7 19215-HLA-000	WATER PUMP IMPELLER	1	
8 19217-H9A-300	MECHANICAL SEAL	1	
9 19229-H9A-000	WATER PUMP GASKET	1	
10 1922A-LEA-000	WATER PUMP COVER ASSY	1	
11 19231-HMA-000	WATER PUMP SHAFT	1	
12 19505-KS6-700	WATER HOSE CLAMP A	2	
13 1950A-LEA-000	WATER HOSE ASSY	1	
14 19604-H01-000	LH. WATER HOSE GUARD WIRE	1	
15 9008A-H9A-000	A.C.G. CAP ASSY 14MM	1	
16 90423-KJ9-000	WASHER 7.2X13X1.2	1	
17 90478-700-000	WASHER A. 6MM	1	
18 91001-KJ9-005	RADIAL BALL BRG.6901	1	
19 91205-KF0-003	OIL SEAL 12X20X5	1	
20 91302-M9Q-000	O-RING 30.8MM	1	
21 91303-377-000	O-RING 13.8X2.5	1	
22 91307-M9Q-000	O-RING 18X3	1	
23 94301-08140	DOWEL PIN 8X14	2	

24	94520-26000	CIRCLIP IN 26MM	1		
25	96001-06010-00	SH FLANGE BOLT 6X10	1		
26	96001-06022-00	FLANGE BOLT SH 6X22	2		
27	96001-06032-00	FLANGE BOLT SH 6X32	2		
28	96001-06045-00	FLANGE BOLT 6X45	10		
29	96100-60000-00	RADIAL BALL BRG. 6000CM	1		

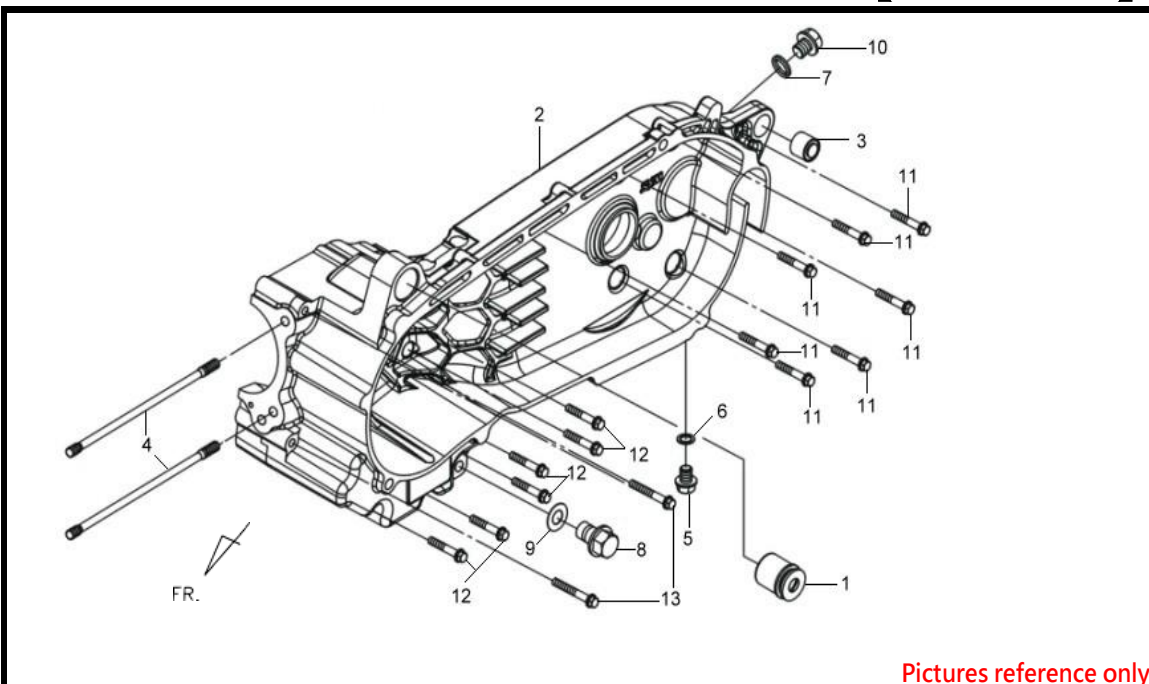
 **TEAMWORLD IND. 2012.06**

※ Please check the color & stripe information according to the color index !



E08 L. CRANK CASE COMP

LM25W5-PC 【GTS 250i EVO】



Pictures reference only

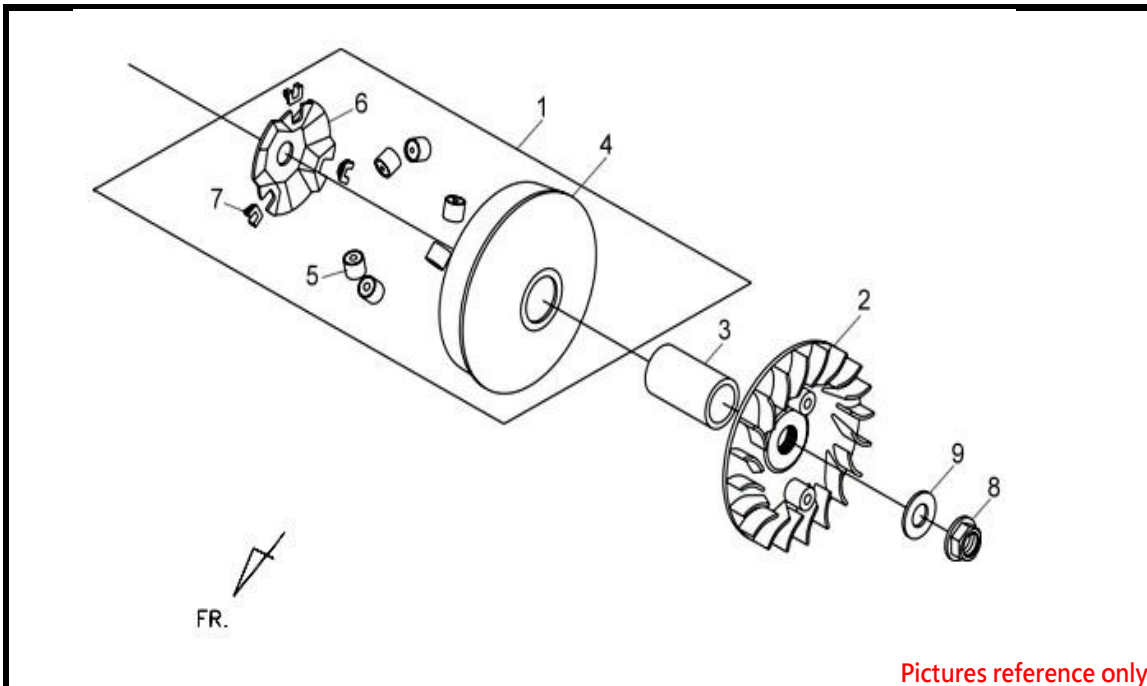
PARTS NUMBER	DESCRIPTION	QTY	EFFECTIVE DATE
1 11120-LEA-000	ENGINE HANGER BUSE ASSY	1	
2 11200-HMA-000	L CRANK CASE COMP	1	
3 11203-GC7-300	RR. CUSH UND BUSH RUBBER	1	
4 90032-HMA-000	CYLINDER STUD BOLT B	2	
5 90103-KN8-000	SPECIAL BOLT 8MM	1	
6 90474-M9Q-000	WASHER 8X16	1	
7 90481-M9Q-000	PLAIN WASHER 10.2MM	1	
7 90481-M9Q-100	PLAIN WASHER 10.2MM	1	2012/6/11
8 92800-12000	DRAIN PLUG BOLT 12MM	1	
9 94109-12000	DRAIN PLUG WASHER 12MM	1	
10 95701-10012-08	FLANGE BOLT 10X12	1	
11 95801-08050-08	FLANGE BOLT 8*50	7	
12 96001-06050-00	FLANGE BOLT SH 6X50	6	
13 96001-06070-00	FLANGE SH BOLT 6X70	2	

 TEAMWORLD IND. 2012.06

※ Please check the color & stripe information according to the color index !

E09 MOVABLE DRIVE FACE ASSY.

LM25W5-PC [GTS 250i EVO]



Pictures reference only

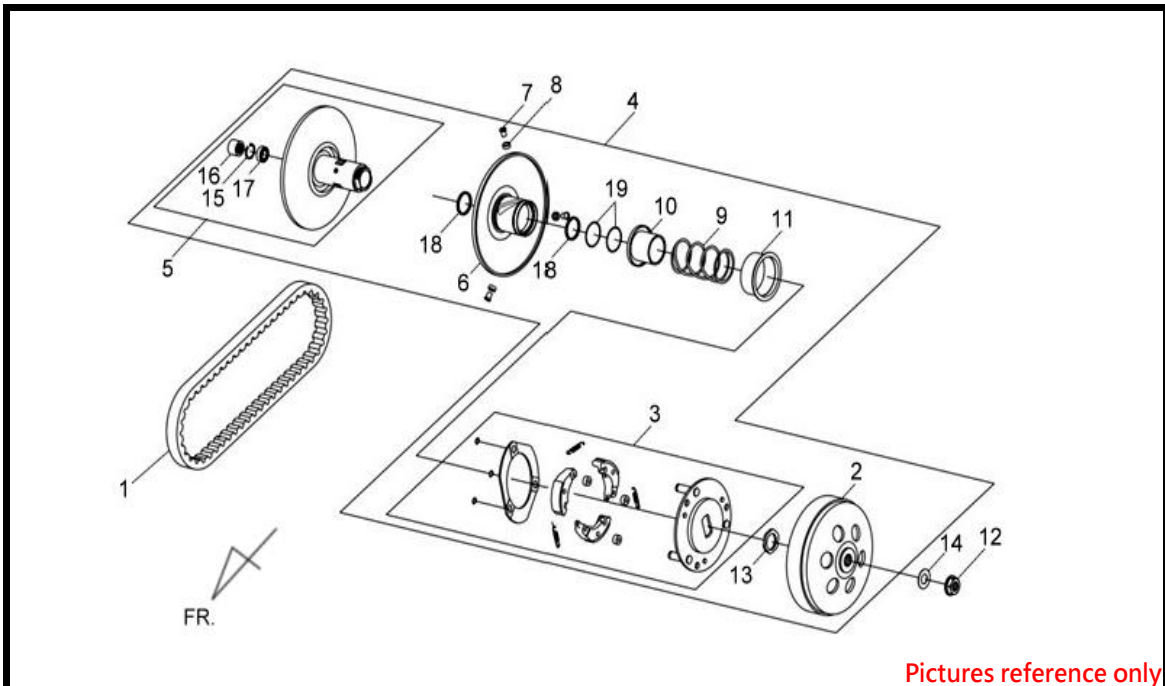
PARTS NUMBER	DESCRIPTION	QTY	EFFECTIVE DATE
1 22000-RB1-000	MOVABLE DRIVE FACE ASSY.	1	
2 22102-HMA-000	DRIVE FACE	1	
3 22105-HMA-000	DRIVE FACE BOSS	1	
4 22110-HMA-000	MOVABLE DRIVE FACE COMP	1	
5 22121-RB1-001-A	WEIGHT ROLLER COMP(6PCS)(18G)	1	
6 22131-HMA-000	RAMP PLATE	1	
7 22132-HMA-000-A	SLIDE PIECE SET(3PCS/1SET)	1	
8 90201-KR8-751-M1	FLANGE NUT 14MM	1	
9 90401-KJ9-000	THRUST WASHER 14X28X2	1	

 TEAMWORLD IND. 2012.06

※ Please check the color & stripe information according to the color index !

E10 DRIVEN PULLEY ASSY.

LM25W5-PC [GTS 250i EVO]



Pictures reference only

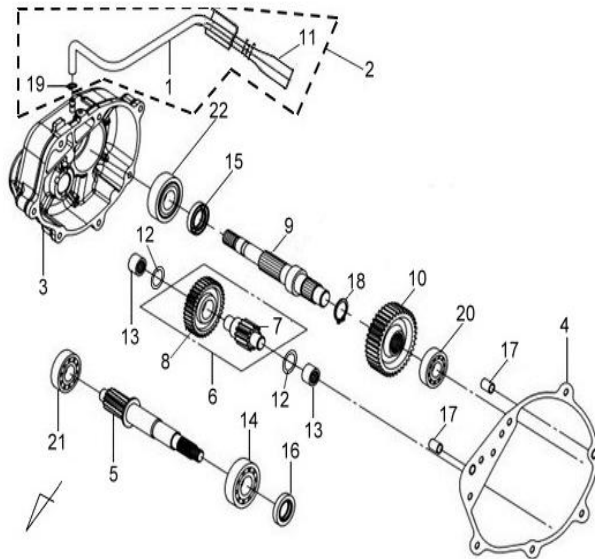
PARTS NUMBER	DESCRIPTION	QTY	EFFECTIVE DATE	
1 1B01HMA01	DRIVE BELT(924X24.4X30)	1		
2 22101-HMA-000	CLUTCH OUTER	1		
3 22300-HMB-000	DRIVE PLATE ASSY.	1		
3 22300-L3D-000	DRIVE PLATE ASSY	1	4/15/2013	N
4 23010-HMB-000	DRIVE PULLEY ASSY	1		
4 23010-L2A-000	DRIVEN PULLEY ASSY	1	4/15/2013	N
5 23200-HMA-000	DRIVEN FACE ASSY	1		
6 23220-HMA-000	MOVABLE DRIVEN FACE COMP	1		
7 23225-HMA-000	ROLLER GUIDE PIN	3		
8 23226-HMA-000	GUIDE ROLLER	3		
9 23233-HMA-000	DRIVEN FACE SPRING	1		
10 23237-HMA-000	SEAL COLLER	1		
11 23238-HMA-000	SPRING COLLAR	1		
12 90201-KR8-751-M1	FLANGE NUT 14MM	1		
13 90202-HMA-000	SPECIAL NUT	1		
14 90401-KJ9-000	THRUST WASHER 14X28X2	1		
15 90602-HMA-000	IN. CIRCLE CLIP	1		
16 91006-HMA-300	NEEDLE BREAINING	1		
17 91007-HMA-300	RADIAL BALL BRG.	1		
18 91211-HMA-000	OIL SEAL	2		
19 91305-HMA-000	O-RING 47*2.0	2		

 TEAMWORLD IND. 2012.06

※ Please check the color & stripe information according to the color index !

E11 MISSION CASE

LM25W5-PC [GTS 250i EVO]

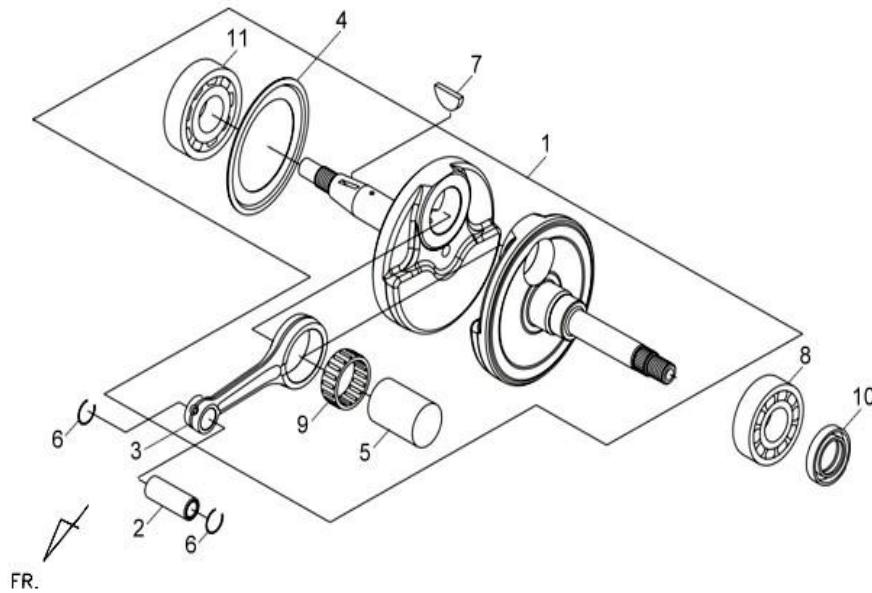


Pictures reference only

PARTS NUMBER	DESCRIPTION	QTY	EFFECTIVE DATE
1 11221-HMA-000	MISSION BREATHER TUBE	1	
2 1122A-HMA-000	MISSION BREATHER TUBE ASSY	1	
3 21200-HMA-000	MISSION CASE COMP	1	
4 21395-HMA-000	MISSION COVER GASKET	1	
5 23411-HMA-000	DRIVE SHAFT	1	
6 23420-HMA-000	COUNTER SHAFT COMP	1	
7 23421-HMA-300	COUNTER SHAFT	1	
8 23422-HMA-300	COUNTER GAER	1	
9 23431-HMA-000	FINAL SHAFT	1	
10 23432-HMA-000	FINAL GEAR	1	
11 5520A-KBN-900	OIL STRN. JOINT ASSY	1	
12 90401-HMA-000	THRUST WASHER 15MM	2	
13 91002-HMA-000	NEEDLE BRG. HK1516□	2	
14 91009-HMC-000	BALL RADIAL BRG.CSB205 JR2C3	1	
15 91203-HMA-000	OIL SEAL	1	
16 91204-HMA-000	OIL SEAL	1	
17 94301-08140	DOWEL PIN 8X14	2	
18 94510-25000	EX. CIR CLIP 25MM	1	
19 95002-02080	BREATHER TUBE CLIP B8	1	
20 96100-62040-10	RADIAL BALL BRG. 6204	1	
21 96100-63020-00	RAD.BALL.BRG.6302	1	
22 96150-62050-10	RADIAL BALL BRG. 6205LLU	1	

E12 CRANK SHAFT

LM25W5-PC 【GTS 250i EVO】



Pictures reference only

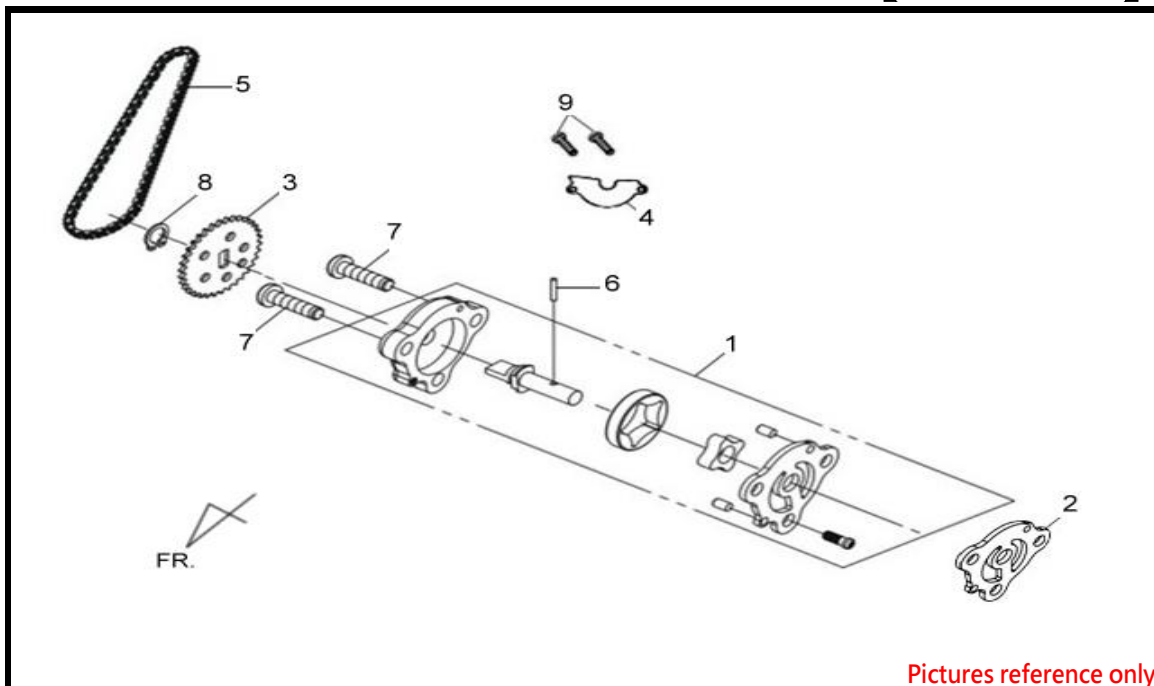
PARTS NUMBER		DESCRIPTION	QTY	EFFECTIVE DATE	
1	13000-HML-010	CRANK SHAFT COMP	1		
2	13111-HMA-000	PISION PIN	1		
3	13201-LEA-000	CONNECTING ROD	1		
4	13371-HMA-300	R CRANK SIDE PLATE	1		
5	13381-HMA-300	CRANK PIN	1		
6	90601-HMA-000	PISTON PIN CLIP	2		
7	90701-HB6-010	WOODRUFF KEY 25X14X4	1		
8	91001-HMA-000	RADIAL BALL BRG. TMB306	1		
9	91003-HML-000	CONN. ROD BRG. KU32*41*17.8	1		
9	91003-LEA-000	CONN.ROD BRG.KU32*41*17.8	1	2012/9/10	Y
10	91201-HMA-300	OIL SEAL	1		
11	96100-62070-10	RADIAL BALL BEARING. 6207	1		

 TEAMWORLD IND. 2012.06

※ Please check the color & stripe information according to the color index !

E13 OIL PUMP ASSY.

LM25W5-PC [GTS 250i EVO]



Pictures reference only

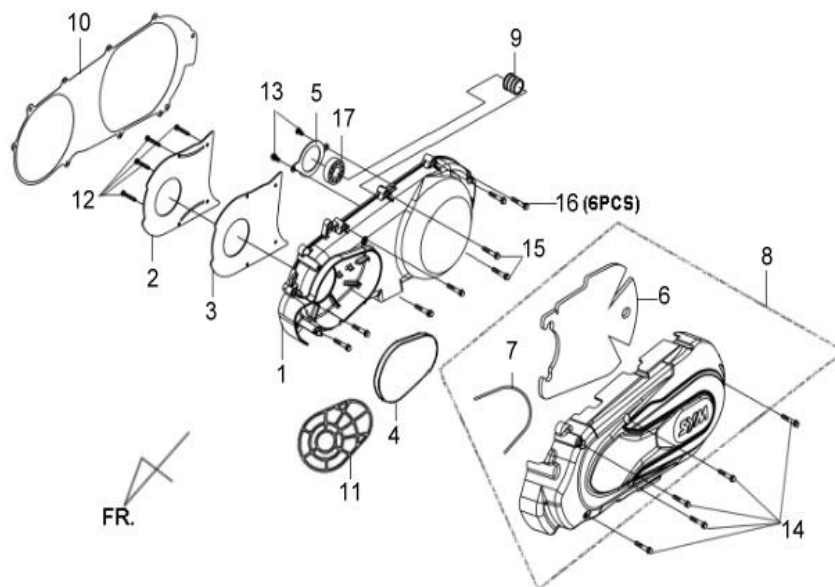
PARTS NUMBER	DESCRIPTION	QTY	EFFECTIVE DATE
1 15100-HMA-000	OIL PUMP ASSY.	1	
2 15126-B8A-000	OIL PUMP GASKET	1	
3 15133-HMA-000	OIL PUMP DRIVEN SPROCKET	1	
4 15711-HML-000	OIL SEPARATER	1	
5 1C15141-HMA-000	OIL PUMP CHAIN 92RH2005-48	1	
6 91101-HMA-000	PIN 2.5*11.8	1	
7 93500-06025-0H	PAN SCREW	1	
8 94510-10000	CIR CLIP 10MM	1	
9 96001-06012-08	FLANGE BOLT SH 6X12	2	

TEAMWORLD IND. 2012.06

※ Please check the color & stripe information according to the color index !

E14 L. CRANK CASE COVER

LM25W5-PC [GTS 250i EVO]



Pictures reference only

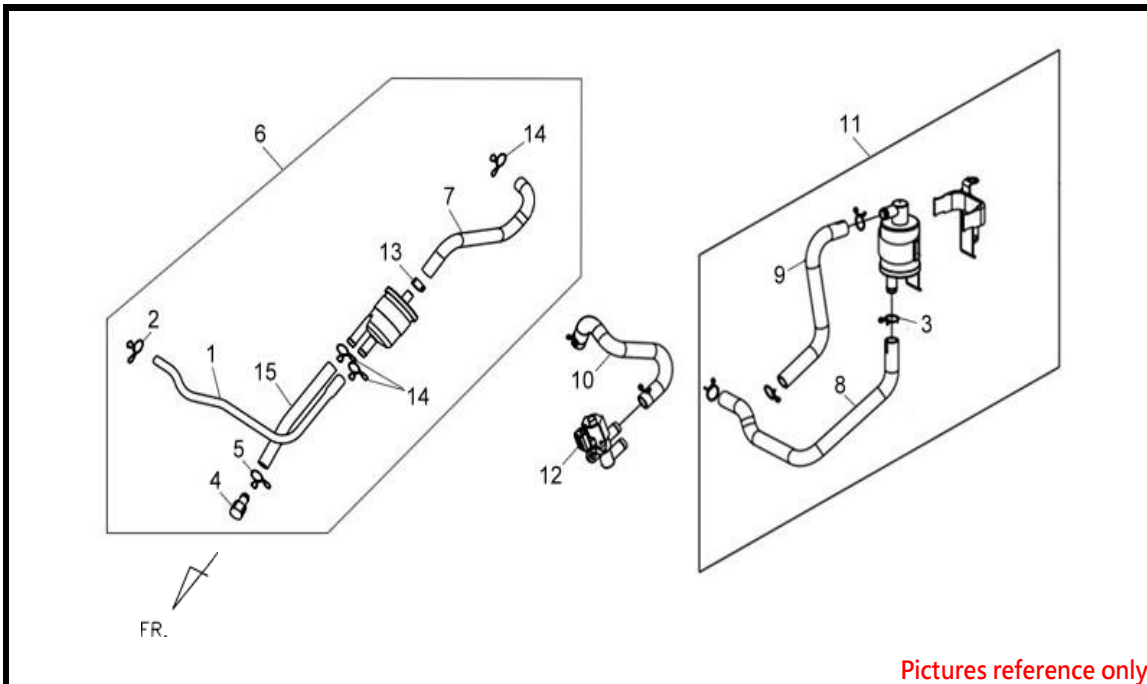
PARTS NUMBER	DESCRIPTION	QTY	EFFECTIVE DATE
1 11341-HMA-000	L. CASE COVER	1	
2 11342-HMA-000	L. CASE COVER PLATE	1	
3 11343-HMA-000	L. CASE COVER PLATE GASKET	1	
4 11344-HMA-000	L. SIDE CVOER ELEMENT	1	
5 11346-HMA-000	L. BEARING SETTING PLATE	1	
6 11352-HMA-000	L. OUTER COVER SPONGE	1	
7 11353-HMA-000	L. OUTER COVER SEAL	1	
8 1135A-HMA-000-KB	L OUTER COVER ASSY.BK-001U/BK-001C	1	
9 1137A-HMA-000	BERING STAY COLLAR ASSY	1	
10 11395-HMA-000	L. CRANK CASE COVER GASKET	1	
11 17221-LEA-000	TRAP COMP.	1	
12 93500-05012-0H	PAN SCREW 5X12	4	
13 96001-06012-00	FLANGE BOLT SH 6X12	1	
14 96001-06018-07	SH. FLANGE BOLT	5	
15 96001-06030-00	FLANGE BOLT SH 6X30	2	
16 96001-06035-00	FLANGE SH BOLT 6X35	6	
17 96150-60060-10	RADIAL BALL BEARING 6006LLU	1	

 TEAMWORLD IND. 2012.06

※ Please check the color & stripe information according to the color index !

E15 BREATHER CHAMBER ASSY.

LM25W5-PC [GTS 250i EVO]



Pictures reference only

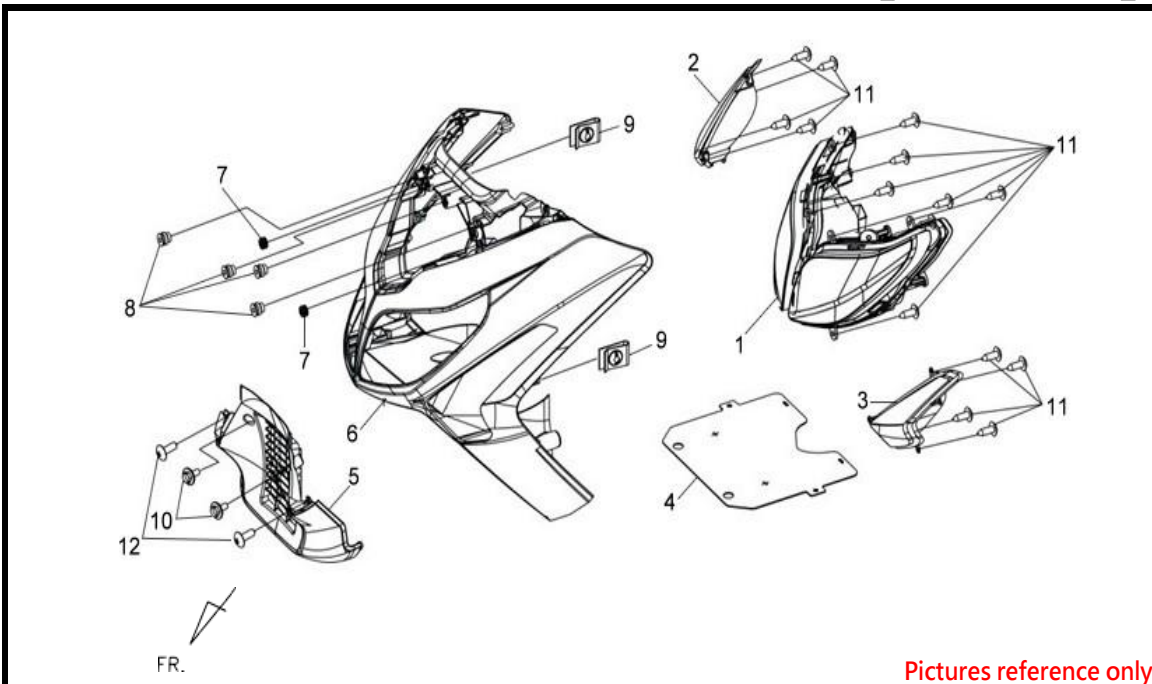
PARTS NUMBER	DESCRIPTION	QTY	EFFECTIVE DATE
1 11211-HMA-000	BREATHER TUBE	1	
2 15772-500-013	BREATHER TUBE CLIP	1	
3 17369-KB4-670	TUBE CLIP	2	
4 17370-M9Q-000	PLUG,BREATHER TUBE.	1	
5 17371-M9Q-000	BREATHER TUBE CLIP	1	
6 1738A-HMB-000	BREATHER CHAMBER ASSY	1	
7 17562-HMA-000	P.C.V./A.C. TUBE	1	
8 17571-HMC-000	A.I.C.V. TUBE A	1	
9 17574-HMC-000	A.I.C.V. TUBE B	1	
10 17576-HMC-000	A.I.S.V.-REED VALVE JOINT TUBE	1	
11 1757A-HMC-000	A.I.A.C. ASSY.	1	
12 17590-HMC-000	A.I.S.V. ASSY	1	
13 90682-V02-900	TUBE CLAMPER D11.5	1	
14 95002-80000	TUBE CLIP C12	2	
15 95003-23032-60	V TUBE	1	

 TEAMWORLD IND. 2012.06

※ Please check the color & stripe information according to the color index !

F01 FRONT COVER & HEAD LIGHT

LM25W5-PC [GTS 250i EVO]



Pictures reference only

PARTS NUMBER		DESCRIPTION	QTY	EFFECTIVE DATE
1	33100-HWA-000	HEAD LIGHT ASSY	1	
1-1	34901-LVA-000	HEAD LIGHT BULB (H11/55W)	2	
1-2	33101-HWA-000	R HEAD LIGHT COMP	1	
1-3	33151-HWA-000	L HEAD LIGHT COMP	1	
1-4	33102-HWA-000	R HEAD LIGHT LENS UNIT	1	
1-5		L HEAD LIGHT LENS UNIT	1	
1-6	33124-HWA-000	HEAD LIGHT BRKT	1	
1-7	33190-HWA-000	R HEAD LIGHT LED COUPLER	1	
1-8	33195-HWA-000	L HEAD LIGHT LED COUPLER	1	
2	33400-HMA-000	R FR WINKER & FOGGY LAMP	1	
2-1	34905-HMA-000	BULB WINKER 12V/21W	2	
2-2	34909-HMA-000	FOGGY BULB 27W	2	
3	33450-HMA-000	L FR WINKER & FOGGY LAMP	1	
3-1	34905-HMA-000	BULB WINKER 12V/21W	2	
3-2	34909-HMA-000	FOGGY BULB 27W	2	
4	61101-HWA-000	DUST GUARD PLATE	1	
5	64300-HMA-000-IP	FR UNDER SPOILER GY-517S	1	
5	64300-HMA-000-JG	FR UNDER SPOILER BK-433S	1	
5	64300-HMA-000-OQ	FR UNDER SPOILER S-7S	1	
5	64300-HMA-000-QU	FR UNDER SPOILER WH-300P	1	
6	64301-HWA-010-IP	FR COVER GY-517S	1	
6	64301-HWA-010-JG	FR COVER BK-433S	1	
6	64301-HWA-010-OQ	FR COVER S-7S	1	
6	64301-HWA-010-QU	FR COVER WH-300P	1	
7	64304-X01-000	FR. COVER RUBBER	2	
8	90118-HLK-000	GROMMET NUT 5MM	6	

9	90302-M92-000	SPRING NUT 4MM	2		
10	93404-06016-07	BOLT WASHER 6X16	2		
11	93903-25320	TAPPING SCREW 5X16	12		
12	93903-34320	TAPPING SCREW 4X12	2		

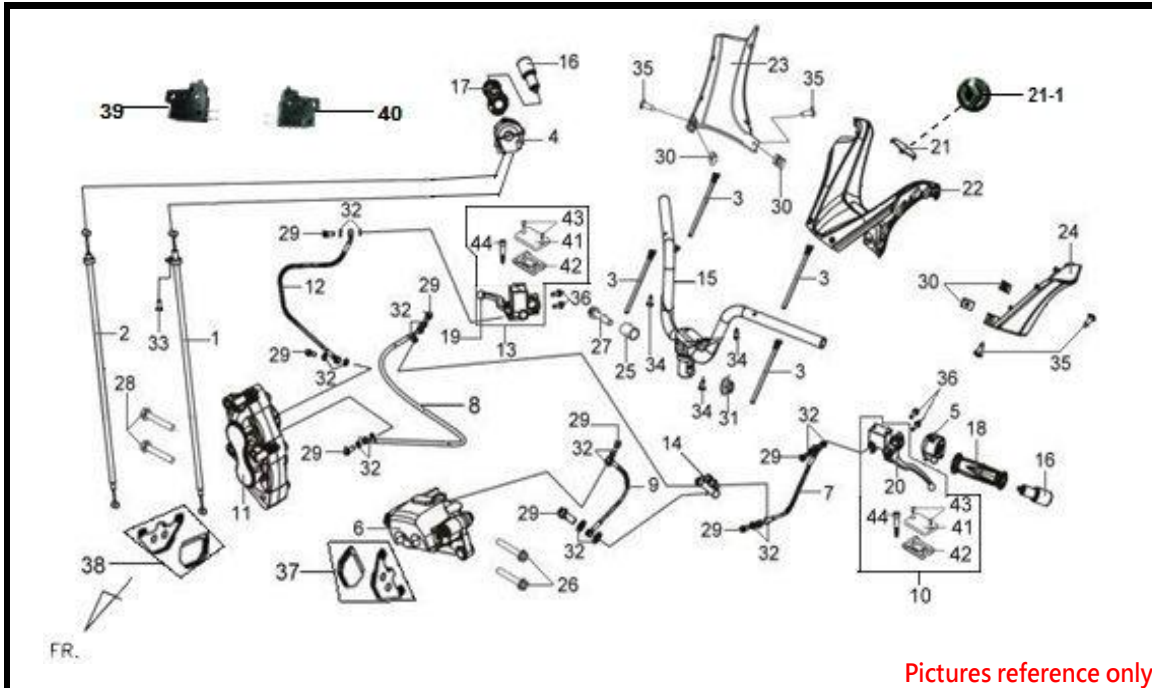
 **TEAMWORLD IND. 2012.06**

※ Please check the color & stripe information according to the color index !



F02 HANDLE & BRAKE ASSY

LM25W5-PC [GTS 250i EVO]



Pictures reference only

PARTS NUMBER	DESCRIPTION	QTY	EFFECTIVE DATE
1 17910-HMA-000	THROTTLE CABLE A	1	
2 17920-HMA-000	THROTTLE CABLE B	1	
3 32160-A3A-900	WIRE BAND 200X8	4	
4 35150-HM1-000	R HANDLE SW ASSY	1	
5 35200-HNL-000	L. HANDLE SW. ASSY	1	
6 43100-HMA-000	RR.CALIPER ASSY S-877C	1	
6-1 222Y-0035	CALIPER PAD PIN	1	
6-2 222Y-0038	CALIPER PAD PIN	1	
7 43311-HMA-000	RR BRAKE HOSE A	1	
8 43312-HMA-000	RR BRAKE HOSE B	1	
9 43313-HMA-000	RR BRAKE HOSE C	1	
10 43500-HMA-000	RR. M/C ASSY	1	
11 45100-HMA-000	FR.CALIPER ASSY S-877C	1	
11-1 2E34-0016	FR. CALIPER PAD PIN	2	
12 45126-HMA-000	FR. BRAKE HOSE	1	
13 45500-HMA-000	FR. M/C ASSY	1	
14 46300-HMA-000	DELAY VALVE ASSY	1	
15 53100-HMA-000	STRG HANDLE COMP	1	
16 53104-N02-000	HANDLE PIPE WT. ASSY.	2	
17 53140-HMA-900	THROT GRIP COMP	1	
18 53166-H85-000	L HANDLE GRIP BK-004U	1	
19 53175-HMA-000	R.HANDLE LEVER	1	
20 53178-HMA-000	L.HANDLE LEVER	1	
21 53204-HMA-900	UP HANDLE COVER CAP(BK-001U)	1	
21-1 87123-HEB-000	S-LOGO MARK(30MM)	1	
22 53205-HMA-900-KA	UP HANDLE COVER (BK-001U)	1	

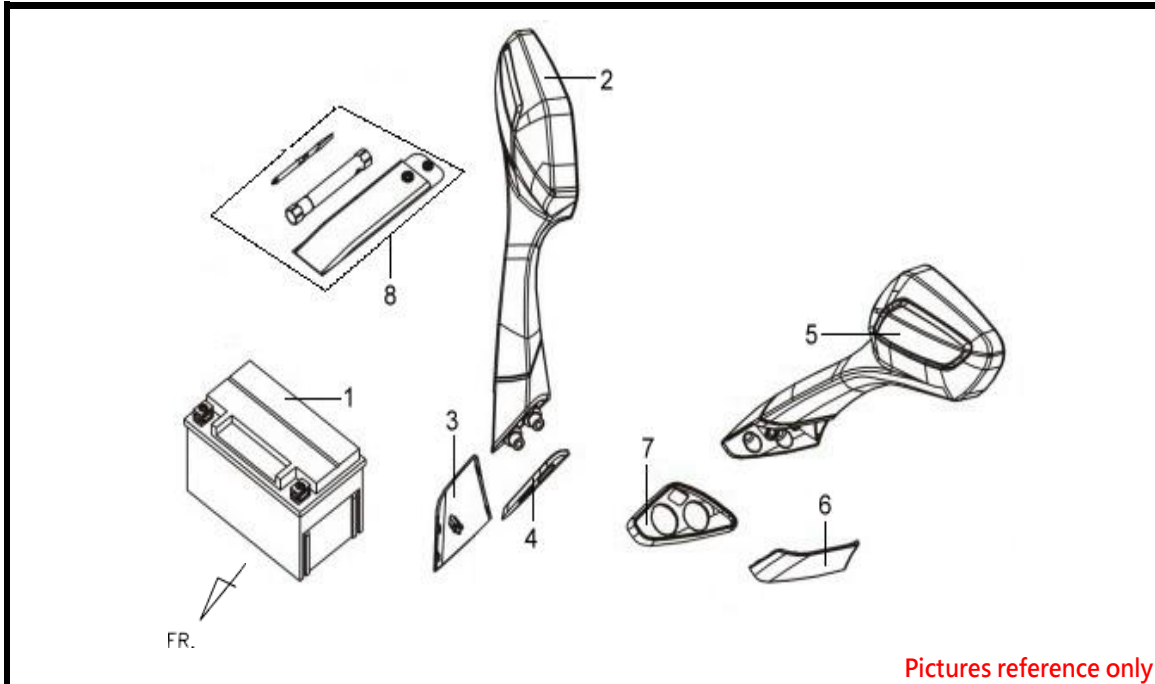
23	53206-HMA-900	R HANDLE COVER	1		
24	53207-HMA-900	L. HANDLE COVER	1		
25	53125-M9Q-000	HANDLE SET COLLAR	1		
26	90104-H9A-000	FLANGE BOLT 8X45	2		
27	90106-M9Q-000	FLANGE BOLT 10X50	1		
28	90104-H5K-000	FLANGE BOLT 8X40	2		
29	90145-M9Q-000	OIL BOLT 10X22	2		
30	90302-M92-000	SPRING NUT 4MM	4		
31	90304-M9Q-000	NUT U FLANGE 10MM	1		
32	90545-M9Q-000	OIL BOLT WASHER	16		
33	93891-05012-07	WASHER SCREW 5X12	1		
34	93903-34320	TAPPING SCREW 4X12	3		
35	93903-34380	TAPPING SCREW 4X12	4		
36	95801-06022-07	FLANGE BOLT 6X22	4		
37	43108-HMA-000-A	REAR PAD SET	1		
38	45105-HMA-000-A	FR. BRAKE PAD SET(4PCS/1SET)(NON-ASBESTO	1		
39	35340-KBN-900	FR. STOP SW. ASSY(R)	1		
40	35350-KBN-900	RR. STOP SWITCH ASSY(L)	1		
41	1V93-0228	MASTER CYLINDER CAP	2		
42	1652-0029	M/C LID GASKET	2		
43	1484-0031	MASTER CYLINDER CAP SCREW	4		
44	1484-0039	HANDLE LEVER SCREW	2		

 **TEAMWORLD IND. 2012.06**

※ Please check the color & stripe information according to the color index !

BACK MIRROR & BATTERY

LM25W5-PC [GTS 250i EVO]



Pictures reference only

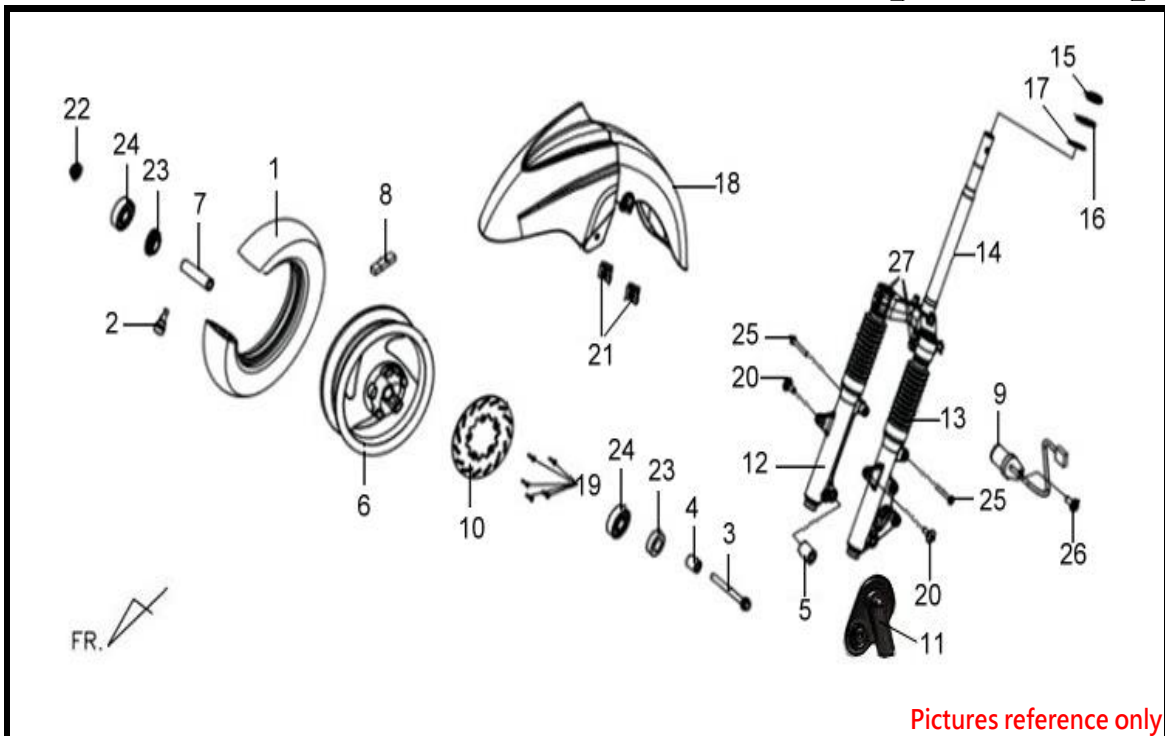
PARTS NUMBER	DESCRIPTION	QTY	EFFECTIVE DATE
1 1Y01HMA01-Y	BATTERY ASSY.(YTX12-BS 12AH)	1	
2 88110-HMA-900-IP	R BACK MIRROR ASSY.GY-517S	1	
2 88110-HMA-900-JG	R BACK MIRROR ASSY.BK-433S	1	
2 88110-HMA-900-OQ	R BACK MIRROR ASSY.S-7S	1	
2 88110-HMA-900-QU	R BACK MIRROR ASSY.WH-300P	1	
3 88111-HMA-000	R. BASE COVER	1	
4 88112-HMA-000	BACK MIRROR PAD	1	
5 88120-HMA-900-IP	L BACK MIRROR ASSY.GY-517S	1	
5 88120-HMA-900-JG	L BACK MIRROR ASSY.BK-433S	1	
5 88120-HMA-900-OQ	L BACK MIRROR ASSY.S-7S	1	
5 88120-HMA-900-QU	L BACK MIRROR ASSY.WH-300P	1	
6 88121-HMA-000	L. BASE COVER	1	
7 88122-HMA-000	BACK MIRROR PAD	1	
8 89010-M92-000	TOOL SET	1	

 TEAMWORLD IND. 2012.06

※ Please check the color & stripe information according to the color index !

FRONT WHEEL & FORK ASSY

LM25W5-PC [GTS 250i EVO]



Pictures reference only

PARTS NUMBER	DESCRIPTION	QTY	EFFECTIVE DATE
1 1T011109013-4PR-TM1	FR. TIRE	1	
2 42753-KJ9-000	VALVE RIM (PVR-70B)	1	
3 44301-G22-000	FR. WHEEL AXLE	1	
4 44311-GW0-910	COLLAR FR. WHEEL SIDE	1	
5 44312-HMA-000	FR. WHEEL SIDE COLLAR	1	
6 44601-HMA-000	FR.CAST WHEEL COMP S-877C	1	
7 44620-H3A-000	FR. AXLE DISTANCE COLLAR	1	
8 44720-H9A-000	BALANCE WEIGHT	1	
9 44800-HMB-000	SPEED SENSOR ASSY	1	
10 45121-HMB-000-SH	FR. BRAKE DISK(SILVER)	1	
11 51106-LEA-000	SPDMT SENSOR COVER	1	
12 51400-HWA-000	R.CUSHION ASSY S-877C	1	
12-1 91255-HWA-000	FR.CUSHION OIL SEAL	1	
12-2 91256-HWA-000	OIL SEAL	1	
12-3 91259-HWA-000	OIL SEAL STOP RING	1	
12-4 91309-HWA-000	O-RING	1	
12-5 90103-HWA-000	FORK BOLT	1	
12-6 51410-HWA-000	FR.CUSHION PIPE	1	
13 51500-HWA-000	L.CUSHION ASSY S-877C	1	
13-1 91255-HWA-000	FR.CUSHION OIL SEAL	1	
13-2 91256-HWA-000	OIL SEAL	1	
13-3 91259-HWA-000	OIL SEAL STOP RING	1	
13-4 91309-HWA-000	O-RING	1	

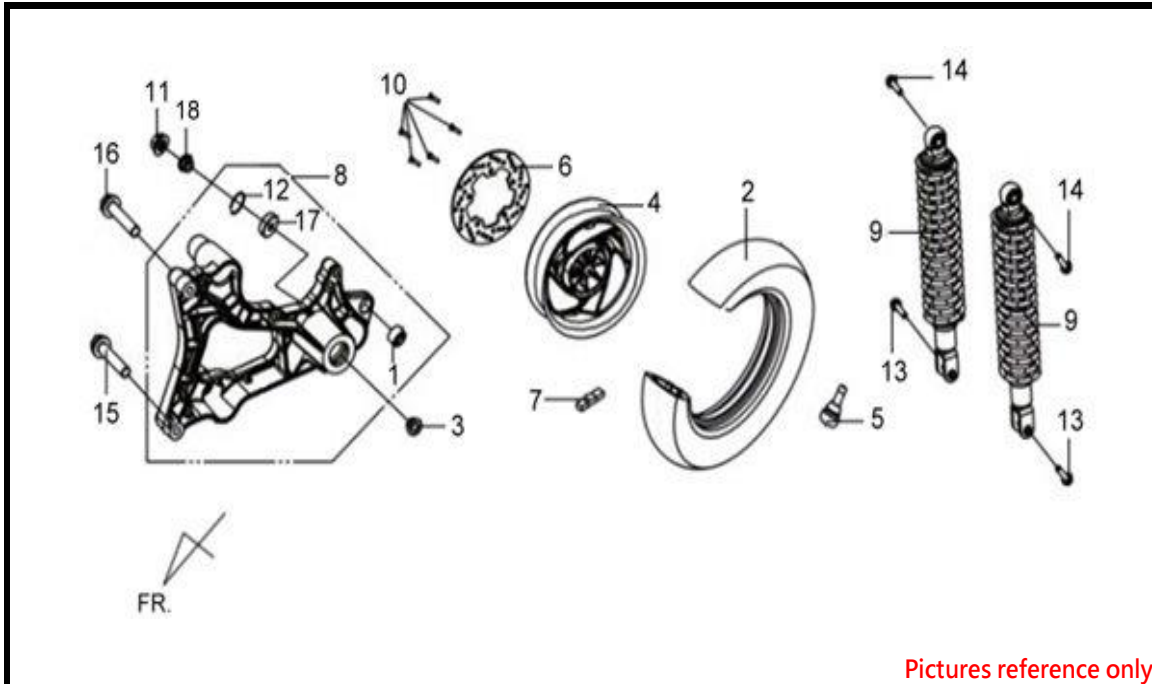
13-5	90103-HWA-000	FORK BOLT	1	
13-6	51410-HWA-000	FR.CUSHION PIPE	1	
14	53200-HWA-000	STEM COMP STRG.	1	
15	53212-VA3-000	STRG BOTTOM CONE RACE	1	
16	53214-HMA-000	STRG. DUST SEAL	1	
17	53215-HHA-000	S DUST SEAL WASHER(34.5X52X.6)	1	
18	61100-HMA-000-IP	FR FENDER GY-517S	1	
18	61100-HMA-000-JG	FR FENDER BK-433S	1	
18	61100-HMA-000-OQ	FR FENDER S-7S	1	
18	61100-HMA-000-QU	FR FENDER WH-300P	1	
19	90105-KR3-000	FR. DISK BOLT 8X24	5	
20	90164-M9Q-000	SCREW SPECIAL 6mm	2	
21	90305-M9Q-000	CLIP NUT 6MM	2	
22	90306-M9Q-000	SELF LOCK NUT 12MM	1	
23	90754-M9Q-000-M2	DUST SEAL 20X32X5	2	
24	90912-M9Q-000-M1	BEARING 6201LU/2A	2	
25	93891-06050-07	WASHER SCREW 6X45	2	
26	93893-06016-07	SCREW WASHER	1	
27	95801-10040-08	FLANGE BOLT 10X40	4	

 **TEAMWORLD IND. 2012.06**

※ Please check the color & stripe information according to the color index !

REAR. WHEEL ASSY

LM25W5-PC [GTS 250i EVO]



Pictures reference only

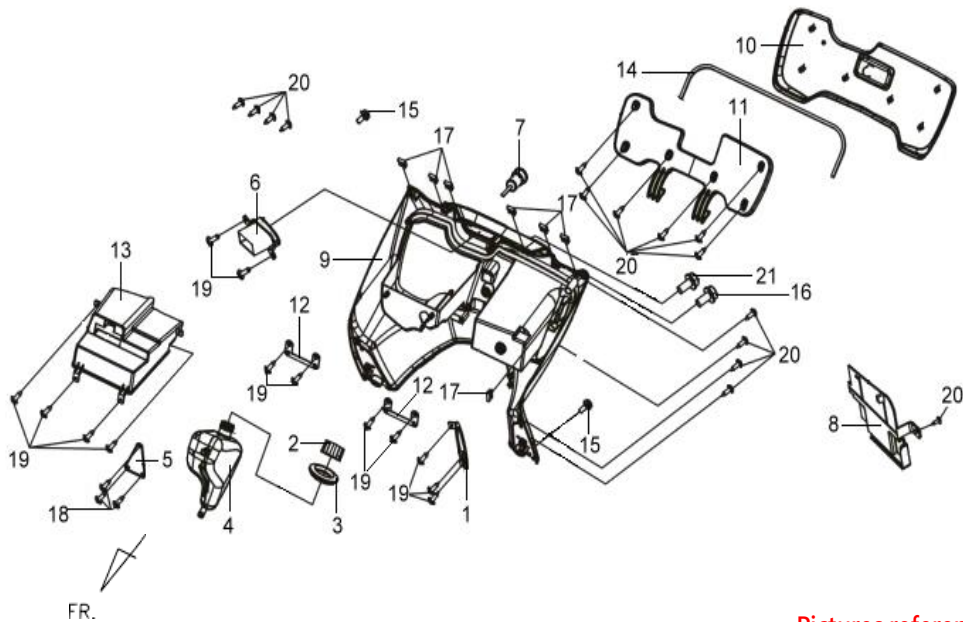
PARTS NUMBER	DESCRIPTION	QTY	EFFECTIVE DATE
1 11203-GC7-300	RR. CUSH UND BUSH RUBBER	1	
2 1T011307013-4PR-6029	TIRE 130/70-13	1	
3 42311-H9A-000	RR. AXLE COLLAR	1	2013/1/14
4 42601-HMA-000	RR.CAST WHEEL COMP S-877C	1	
5 42753-M92-300	VALVE RIM	1	
6 43121-HMA-000	RR. BRAKE DISK	1	
7 44720-H9A-000	BALANCE WEIGHT	1	
8 5210A-HMA-005	RR. FORK ASSY	1	
9 52400-HMA-000	RR. CUSHION ASSY	2	
10 90105-KR3-000	FR. DISK BOLT 8X24	5	
11 90305-M9Q-900	U NUT 16 MM	1	
12 94524-47000	CIR CLIP IN47	1	
13 95801-08035-07	FLANGE BOLT M8X35	2	
14 95801-10040-08	FLANGE BOLT 10X40	2	
15 95801-10065-07	FLANGE BOLT	1	
16 95801-10075-07	FLANGE BOLT	1	
17 96150-63033-10	RADIAL BALL BEARING 6303U	1	
18 42311-H9A-900	RR. AXLE COLLAR	1	2013/1/14

 TEAMWORLD IND. 2012.06

※ Please check the color & stripe information according to the color index !

INNER BOX & RESERVE TANK

LM25W5-PC [GTS 250i EVO]



Pictures reference only

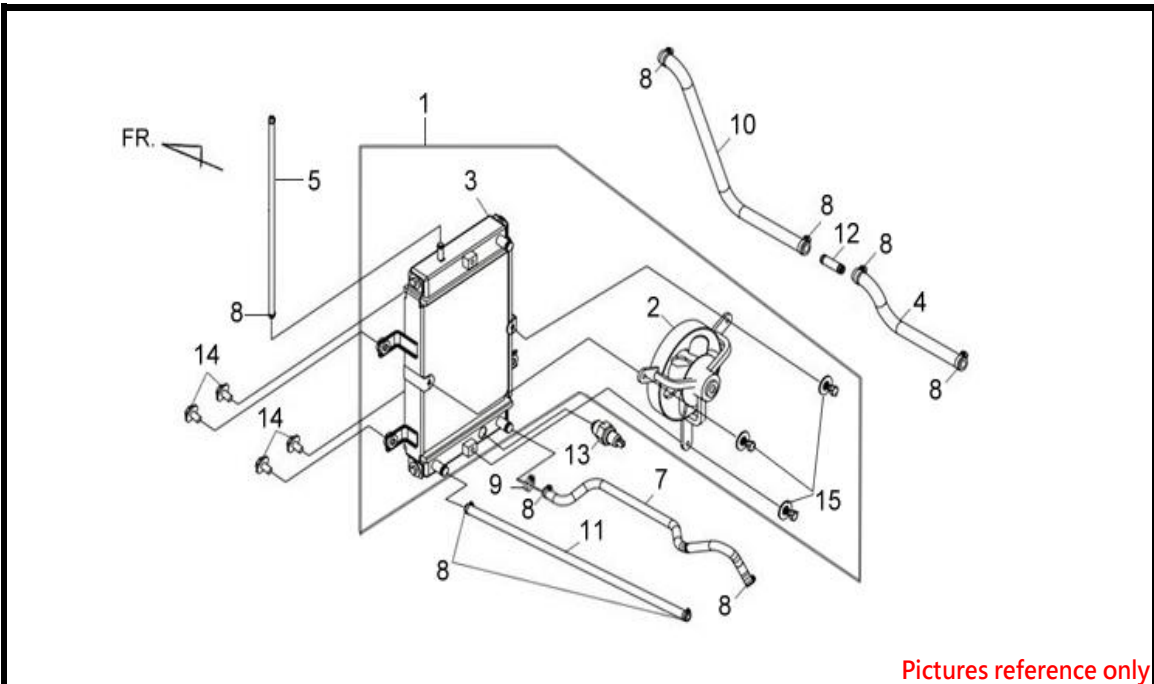
PARTS NUMBER	DESCRIPTION	QTY	EFFECTIVE DATE
1 17661-HMA-000	FILLER PIPE STAY	3	
2 19015-HMA-000	RESERVE TANK CAP	1	
3 19016-HMA-000	RESERVE TANK TRAY	1	
4 19101-HMA-000	RESERVE TANK	1	
5 19102-HMA-000	RESERVE TANK STAY	1	
6 35360-HMA-000	HAZARD AND FOGGY SW COMP	1	
7 38600-RA1-000	DC. POWER OUTLET	1	
8 50326-HMA-000	BATTERY COVER	1	
9 81131-HMA-000-KA	INNER BOX	1	
10 81141-HMA-000	INNER BOX LID	1	
11 81142-HMA-000	INNER BOX LID STIFFENER	1	
12 81143-HMA-000	INN. BOX LID HINGE STAY	1	
13 81144-HMA-000	INNER BOX UP CASE	1	
14 81146-HMA-000	INNER BOX SEAL	1	
15 90111-HKD-000	BOLT FLANGE 6MM	2	
16 90111-M9Q-900	FLANGE BOLT(MFZn2-C)6MM	1	
17 90302-M92-000	SPRING NUT 4MM	6	
18 93903-25320	TAPPING SCREW 5X16	3	
19 93903-34320	TAPPING SCREW 4X12	13	
20 93903-34380	TAPPING SCREW 4X12	15	
21 95801-06012-07	FLANGE BOLT 6X12	1	

 TEAMWORLD IND. 2012.06

※ Please check the color & stripe information according to the color index !

F07 RADIATOR ASSY.

LM25W5-PC [GTS 250i EVO]



Pictures reference only

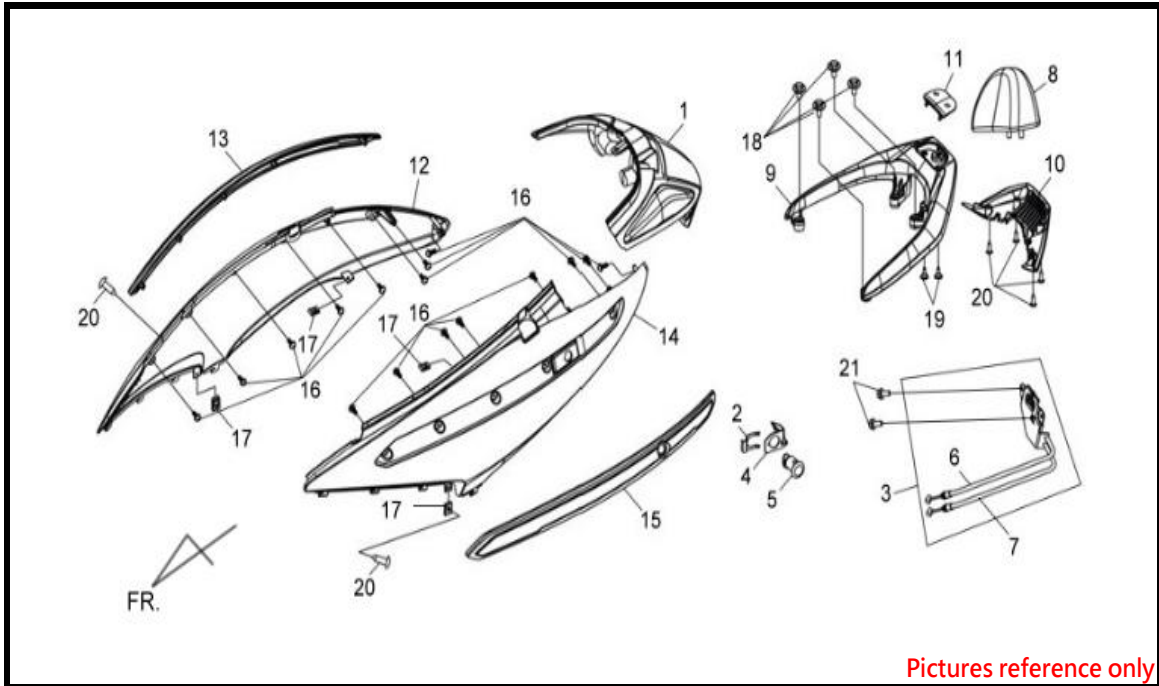
PARTS NUMBER	DESCRIPTION	QTY	EFFECTIVE DATE
1 19000-HMA-900	RADIATOR ASSY	1	
2 19005-HMA-000	SHROUD ASSY	1	
3 19010-HMA-900	RADIATOR COMP	1	
4 19501-HTA-900	RADIATOR IN. WATER HOSE	1	
5 19503-HMA-000	RES. TANK IN. WATER HOSE	1	
6 19505-H5D-900	HOSE CLAMP	1	
7 19505-HMA-900	ENG.INLET WATER HOSE	1	
8 19505-KS6-700	WATER HOSE CLAMP A	6	
9 19505-REA-000	HOSE CLAMP	1	
10 19506-HMA-900	RADIATOR INLET WATER HOSE B	1	
11 19507-HMA-000	RES. TANK OUT. WATER HOSE	1	
12 19509-HWA-000	WATER HOSE 2 WAY JOINT	1	
13 37760-HMA-000	THERMO. SW	1	
14 93404-06020-08	WASHER BOLT	4	
15 93405-06012-08	WASHER BOLT	3	

 TEAMWORLD IND. 2012.06

※ Please check the color & stripe information according to the color index !

BODY COVER & TAIL LIGHT

LM25W5-PC [GTS 250i EVO]



Pictures reference only

PARTS NUMBER	DESCRIPTION	QTY	EFFECTIVE DATE	
1 33700-HMN-000	RR. COMB LIGHT ASSY(LED)	1		
1-1 33701-HMA-000	RR COMB.LIGHT LENS	1		
1-2 33711-HMA-000	RR. R. WINKER LENS	2		
1-3 34905-HMA-000	BULB WINKER 12V/21W	2		
2 75581-A16-000	LOCK KEY SET SPRING	1		
3 77230-HMB-000	SEAT CATCH ASSY	1		
4 77236-HAA-000	SEAT LOCK WASHER	1		
5 77239-HMA-000	SEAT LOCK KEY COMP	1		
6 77240-HMA-000	SEAT LOCK CABLE	1		
7 77241-HMB-000	SEAT LOCK CABLE B	1		
8 77400-HWA-000-IP	RR BACK SEAT ASSY GY-517S	1		
8 77400-HWA-000-JG	RR BACK SEAT ASSY BK-433S	1		
8 77400-HWA-000-OQ	RR BACK SEAT ASSY S-7S	1		
8 77400-HWA-000-QU	RR BACK SEAT ASSY WH-300P	1		
9 81200-HWA-000-IP	RR CARRIER COMP GY-517S	1		
9 81200-HWA-000-JG	RR CARRIER COMP BK-433S	1		
9 81200-HWA-000-OQ	RR CARRIER COMP S-7S	1		
9 81200-HWA-000-QU	RR CARRIER COMP WH-300P	1		
10 81210-HMA-000	RR. CARRIER COVER BK-001U	1		
11 81211-HWA-000-IP	RR CARRIER CAP GY-517S	1		
11 81211-HWA-000-JG	RR CARRIER CAP BK-433S	1		
11 81211-HWA-000-OQ	RR CARRIER CAP S-7S	1		
11 81211-HWA-000-QU	RR CARRIER CAP WH-300P	1		
12 8350G-HM1-000-IP	R BODY CVOER ASSY.GY-517S	1		
12-1 87126-HM1-000	RH. BODY COVER EMBLEM	1		
12-2 87129-HML-000	i MARK	1		

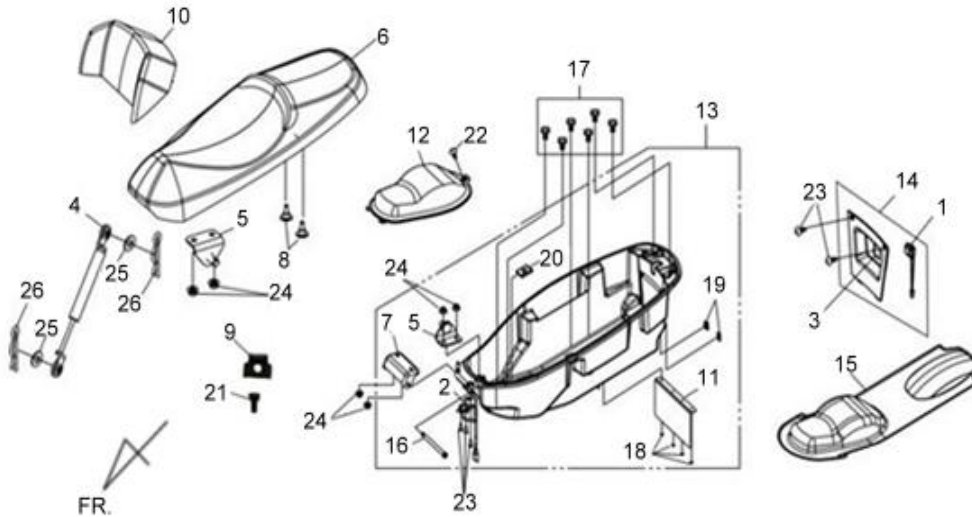
12	8350G-HM1-000-JG	R BODY CVOER ASSY.BK-433S	1		
12-1	87126-HM1-000	RH. BODY COVER EMBLEM	1		
12-2	87129-HML-000	i MARK	1		
12	8350G-HM1-000-OQ	R BODY CVOER ASSY.S-7S	1		
12-1	87126-HM1-000	RH. BODY COVER EMBLEM	1		
12-2	87129-HML-000	i MARK	1		
12	8350G-HM1-000-QU	R BODY CVOER ASSY.WH-300P	1		
12-1	87126-HM1-000	RH. BODY COVER EMBLEM	1		
12-2	87129-HML-000	i MARK	1		
13	83501-HMA-000-OL	R BODY COVER GARNISH S-877U/BK-001U	1		
14	8360G-HM1-000-IP	L BODY COVER ASSY.GY-517S	1		
14-1	87127-HM1-000	LH. BODY COVER EMBLEM	1		
14-2	87129-HML-000	i MARK	1		
14	8360G-HM1-000-JG	L BODY COVER ASSY.BK-433S	1		
14-1	87127-HM1-000	LH. BODY COVER EMBLEM	1		
14-2	87129-HML-000	i MARK	1		
14	8360G-HM1-000-OQ	L BODY CVOER ASSY.S-7S	1		
14-1	87127-HM1-000	LH. BODY COVER EMBLEM	1		
14-2	87129-HML-000	i MARK	1		
14	8360G-HM1-000-QU	L BODY COVER ASSY.WH-300P	1		
14-1	87127-HM1-000	LH. BODY COVER EMBLEM	1		
14-2	87129-HML-000	i MARK	1		
15	83601-HMA-000-OL	L BODY COVER GARNISH S-877U/BK-001U	1		
16	90106-H2G-000	FLANGE BOLT 4X12	10		
17	90302-M92-000	SPRING NUT 4MM	4		
18	93406-08012-00	WASHER BOLT 8X12	4		
19	93406-08020-07	WASHER BOLT 8*20	2		
20	93903-34380	TAPPING SCREW 4X12	6		
21	95801-06012-08	FLANGE BOLT 6X12	2		

 **TEAMWORLD IND. 2012.06**

※ Please check the color & stripe information according to the color index !

SEAT & LUGGAGE BOX

LM25W5-PC [GTS 250i EVO]



Pictures reference only

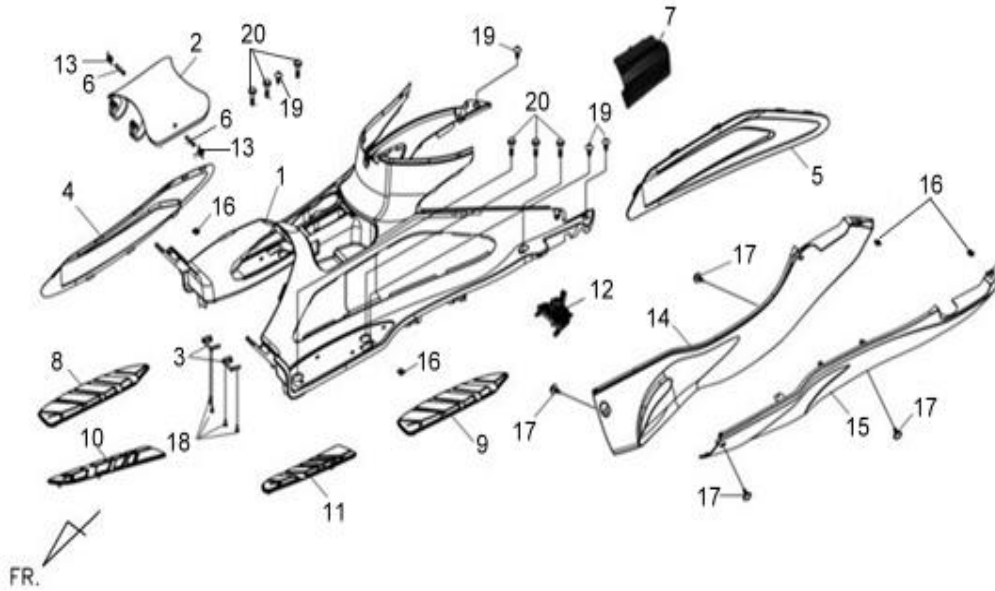
PARTS NUMBER	DESCRIPTION	QTY	EFFECTIVE DATE	
1 35370-M9P-000	LUGGAGE BOX LIGHT ASSY	1		
2 35380-HMA-000	SEAT OPEN LAMP SW	1		
3 36600-A1A-010	ENG.START CONTROL SW	1		
3 36600-A1A-200	ENG. START CONTROL SW	1	8/1/2013	Y
4 74480-HMA-010	OPEN STAY	1		
5 74481-HMA-000	SEAT OPEN STAY BRKT.	2		
6 77200-HWA-200-T3	DOUBLE SEAT COMP TYPE3 BK-001L	1		
7 77201-HMA-900	SEAT HINGE	1		
8 77203-HMA-900	BACK SEAT SET BOLT 5mm	2		
9 77204-HMA-000	LAMP SW.STAY	1		
10 77300-HWA-200-T3	BACK SEAT ASSY TYPE3 BK-001L	1		
11 80104-HMA-000	SPLASH GUARD PLATE	1		
12 81257-HMA-000	MAINT COVER	1		
13 8125A-HMA-008	LUGGAGE BOX ASSY(BK-001U)	1		
14 8125B-HML-000	LUGGAGE BOX RR COVER ASSY.	1		
15 83630-HMA-000	LUGGAGE BOX MAT	1		
16 90106-HMA-000	HINGE PIN	1		
17 90111-M9Q-800	FLANGE BOLT 6MM	6		
18 90301-GEO-000	CLIP NUT	4		
19 90302-M92-000	SPRING NUT 4MM	2		
20 90677-GR1-003	CLIP NUT 5X0.8	1		
21 93406-05010-07	WASHER BOLT	1		
22 93891-05016-07	WASH SCREW 5X16	1		
23 93903-34380	TAPPING SCREW 4X12	5		
24 94050-06080	FLANGE NUT 6MM	6		
25 94101-08800	PLAIN WASHER 8MM	2		
26 94251-08400	LOCK PIN 8MM (LATCH PIN)			

 TEAMWORLD IND. 2012.06

※ Please check the color & stripe information according to the color index !

FLOOR PANEL & SIDE COVER

LM25W5-PC [GTS 250i EVO]



Pictures reference only

PARTS NUMBER	DESCRIPTION	QTY	EFFECTIVE DATE
1 64310-HMA-020-KA	FLOOR PANEL BK-001U	1	
2 64311-HMA-020-KA	FLOOR BOX LID	1	
3 64312-HMA-000	FLOOR BOX LID HINGE STAY	1	
4 64313-HMA-000	R. FLOOR GARNISH	1	
5 64314-HMA-000	L. FLOOR GARNISH	1	
6 64315-HMA-000	LID HINGE PIN	2	
7 64319-HMA-000-KA	FRAME NUMBER LID (BK-001U)	1	
8 64321-HMA-000	R FLOOR MAT A	1	
9 64322-HMA-000	L FLOOR MAT A	1	
10 64323-HMA-000	R FLOOR MAT B	1	
11 64324-HMA-000	L FLOOR MAT B	1	
12 6432C-HMA-000	FLOOR BOX LID SPG ASSY	1	
13 81153-HMA-010	COIN BOX LID SPRING	1	
14 8352G-HWA-000-IP	R.SIDE COVER SET GY-517S	1	
14-1 87123-HWA-000-S	SYM STRIPE S-480S	1	
14 8352G-HWA-000-JG	R.SIDE COVER SET BK-433S	1	
14-1 87123-HWA-000-S	SYM STRIPE S-480S	1	
14 8352G-HWA-000-OQ	R.SIDE COVER SET S-7S	1	
14-1 87123-HWA-000-S	SYM STRIPE S-480S	1	
14 8352G-HWA-000-QU	R.SIDE COVER SET WH-300P	1	
14-1 87123-HWA-000-S	SYM STRIPE S-480S	1	
15 8362G-HWA-000-IP	L.SIDE COVER SET GY-517S	1	
15-1 87123-HWA-000-S	SYM STRIPE S-480S	1	
15 8362G-HWA-000-JG	L.SIDE COVER SET BK-433S	1	
15-1 87123-HWA-000-S	SYM STRIPE S-480S	1	
15 8362G-HWA-000-OQ	L.SIDE COVER SET S-7S	1	

15-1	87123-HWA-000-S	SYM STRIPE S-480S	1		
15	8362G-HWA-000-QU	L.SIDE COVER SET WH-300P	1		
15-1	87123-HWA-000-S	SYM STRIPE S-480S	1		
16	90302-M92-000	SPRING NUT 4MM	4		
17	93891-05016-07	WASH SCREW 5X16	4		
18	93903-34320	TAPPING SCREW 4X12	4		
19	93903-34380	TAPPING SCREW 4X12	4		
20	93903-44380	TAPPING SCREW 4X12	6		

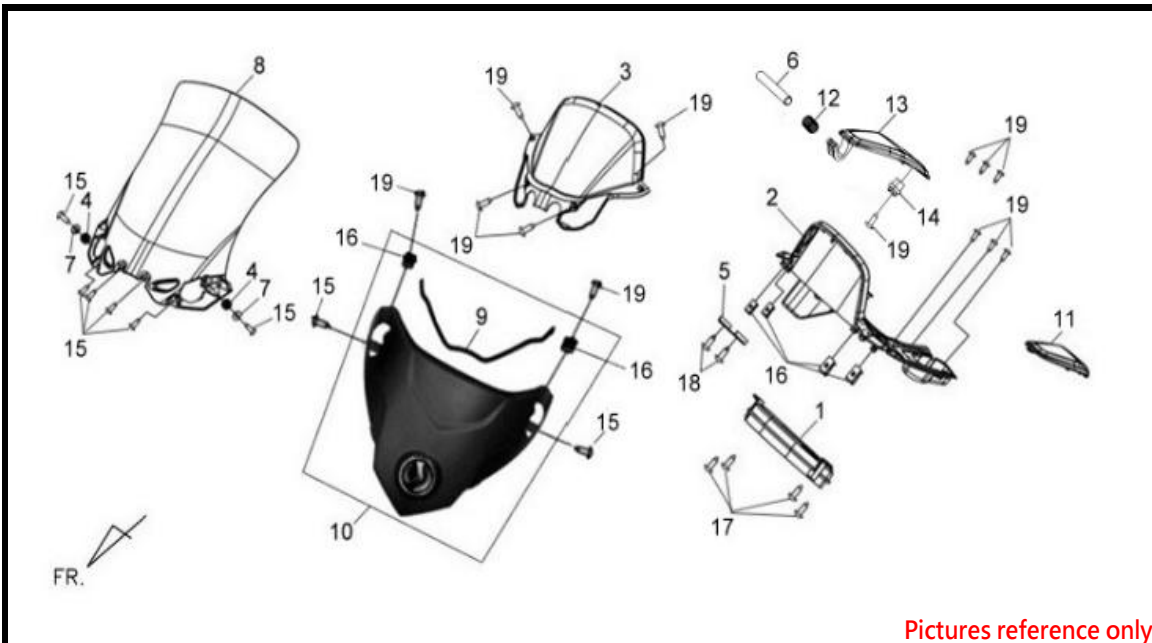
 **TEAMWORLD IND. 2012.06**

※ Please check the color & stripe information according to the color index !



F11 WIND SCREEN & METER VISOR

LM25W5-PC [GTS 250i EVO]



Pictures reference only

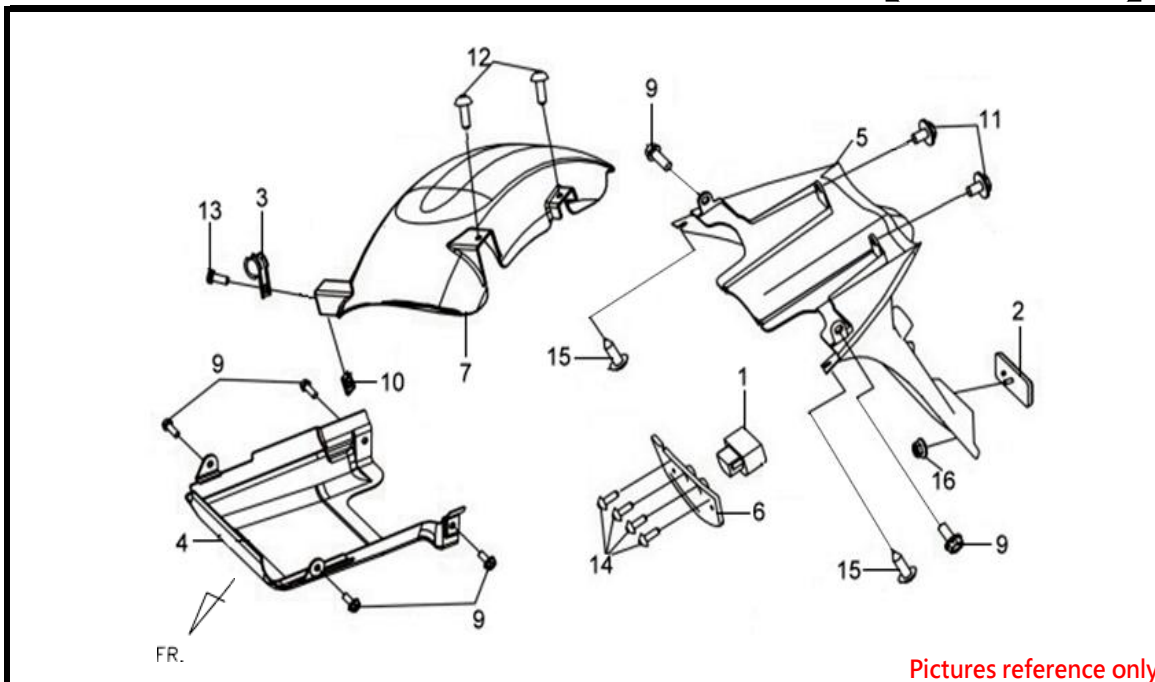
PARTS NUMBER	DESCRIPTION	QTY	EFFECTIVE DATE
1 37200-HM1-000	METER ASSY	1	
1 37200-HM1-100	METER ASSY	1	2014/1/20
1-1 34902-HMA-000	BULB(T4)	4	
1-2 34907-HMA-000	BULB(T4.7)1.4W	2	
2 53208-HMA-030	METER PANEL	1	
3 53209-HMA-000	METER VISOR	1	
4 64304-X01-000	FR. COVER RUBBER	2	
5 64312-HMA-000	FLOOR BOX LID HINGE STAY	1	
6 64315-HMA-000	LID HINGE PIN	1	
7 67101-HMA-000	WINDSCREEN SCREW CAP	2	
8 6710A-HWA-000	WIND SCREEN SET	1	
8-1 87121-H85-000	SYM MARK(POLY)	1	
8-2 87125-HMA-000	WIND SCREEN STRIPE	1	
9 67111-HWA-000	WIND SCREEN GARNISH RUB.SEAL	1	
10 6711A-HWA-010	WIND SCREEN GARNISH ASSY.GY-7450U	1	
11 81152-HMA-000	RES TANK LID	1	
12 81153-HMA-010	COIN BOX LID SPRING	1	
13 8115A-HMA-010	COIN BOX LID ASSY BK-001U	1	
14 8115B-HMA-000	COIN BOX LOCK ASSY	1	
15 90119-HMA-000	SCREW WASHER 5X18	8	
16 90302-M92-000	SPRING NUT 4MM	6	
17 93903-25320	TAPPING SCREW 5X16	4	
18 93903-34320	TAPPING SCREW 4X12	2	
19 93903-34380	TAPPING SCREW 4X12		

TEAMWORLD IND. 2012.06

※ Please check the color & stripe information according to the color index !

F12 RR. FENDER ASSY

LM25W5-PC [GTS 250i EVO]



Pictures reference only

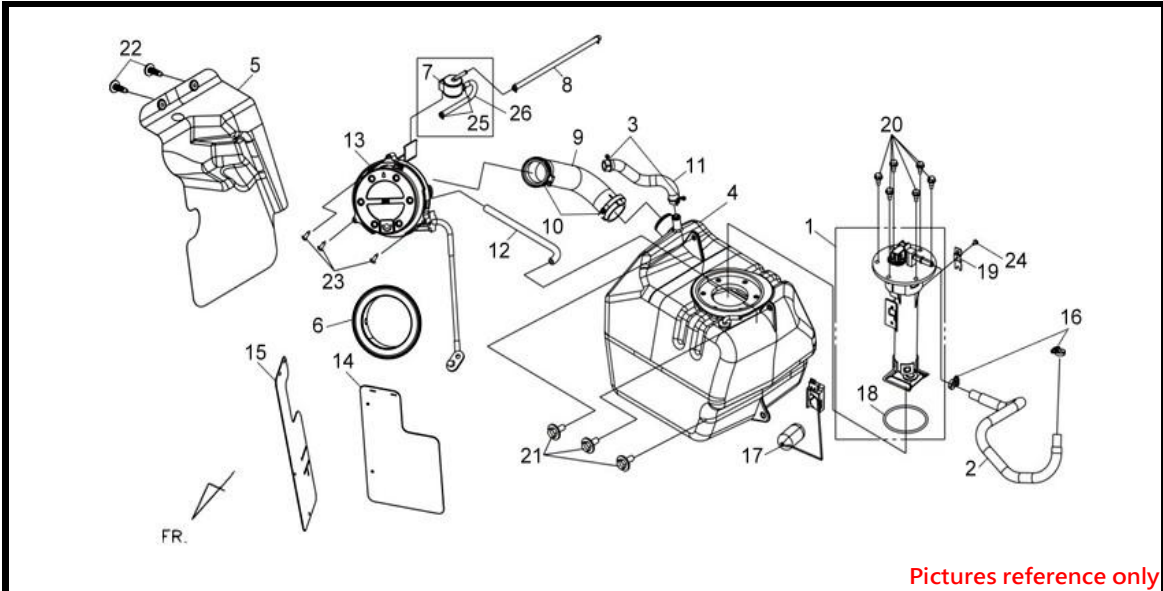
PARTS NUMBER	DESCRIPTION	Q T V	EFFECTIVE DATE
1 33740-HMA-000	LICENSE LIGHT ASSY	1	
2 33741-M9A-000	RR. REFLECTOR	1	
3 45156-H3C-000	RR. BRAKE HOSE CLAMP	1	
4 50611-HMA-000	UNDER COVER BK-001U	1	
5 80100-HMA-000	RR.FENDER	1	
6 80102-HMA-000	LICENSE LIGHT BRKT.	1	
7 80106-HMA-000	RR. MUDGUARD (BK-001U)	1	
9 90111-M9Q-900	FLANGE BOLT(MFZn2-C)6MM	6	
10 90677-GR1-003	CLIP NUT 5X0.8	1	
11 93404-06016-08	BOLT WASHER 6X16	2	
12 93891-05016-07	WASH SCREW 5X16	2	
13 93891-05040-07	WASHER XCREW	1	
14 93903-34320	TAPPING SCREW 4X12	4	
15 93903-34380	TAPPING SCREW 4X12	2	
16 94050-05080	FLANGE NUT 5MM	1	

 TEAMWORLD IND. 2012.06

※ Please check the color & stripe information according to the color index !

F13 FUEL TANK ASSY

LM25W5-PC [GTS 250i EVO]



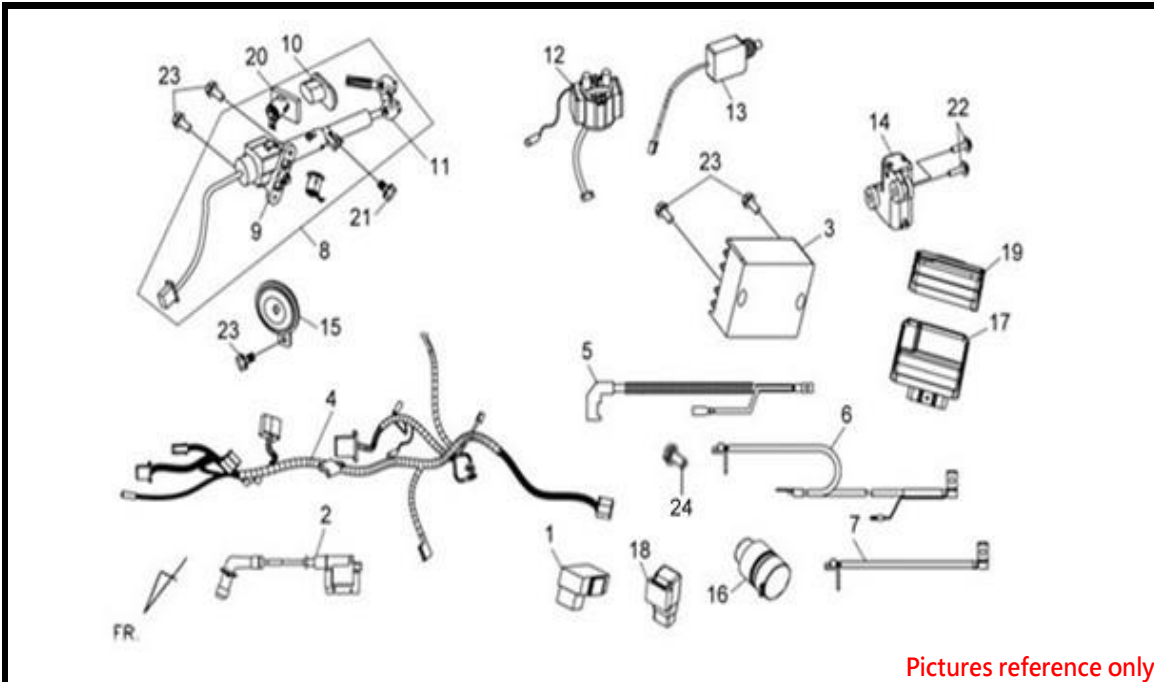
Pictures reference only

PARTS NUMBER	DESCRIPTION	QTY	EFFECTIVE DATE	
1 1670A-LEA-100	FUEL PUMP ASSY.	1		
1-1 16711-M9Q-000	FUEL PUMP FILTER SCREEN	1		
1-2 16712-M9Q-000	PUSH NUT	1		
2 16730-HMC-000	FUEL TUBE	1		
3 17369-KB4-670	TUBE CLIP	2		
4 17500-HMC-000	FUEL TANK	1		
5 17508-HMA-000	FUEL TANK HEAT GUARD	1		
6 17509-HMA-000	FILLER PIPE COVER	1		
7 17581-HMA-000	FUEL CUT VALVE(LIYANG)	1		
8 17585-HMA-000	TANK-FCV TUBE	1		
9 17651-HMA-000	FUEL TANK TUBE	1		
10 17652-TAA-000	FILLER TUBE CLIP	2		
11 17653-HMA-000	BREATHER TUBE	1		
12 17654-HMA-000	BREATHER TUBE	1		
13 1766A-HMA-000	FILLER PIPE ASSY	1		
14 19017-HMA-000	RH. HEAT GUARD PLATE	1		
15 19018-HMA-000	LH. HEAT GUARD PLATE	1		
16 19505-H5D-000	HOSE CLAMP	2		
17 37800-HWA-000	FUEL UNIT COMP	1		
17 37800-HWA-010	FUEL UNIT COMP	1	2013/6/17	Y
18 37801-A5L-000	FUEL FILTER PACKING	1		
19 37804-LEA-000	FUEL UNIT STAY	1		
20 90105-HMC-000	FUEL PUMP BOLT	6		
21 93404-06016-08	BOLT WASHER 6X16	3		
22 93893-06016-07	SCREW WASHER	2		
23 93903-34380	TAPPING SCREW 4X12	3		
24 93903-HGC-000	TAPPING SCREW	1		
25 95002-02080	BREATHER TUBE CLIP B8	2		
26 95005-45100-20	TUBE			

 **TEAMWORLD IND. 2012.06**

※ Please check the color & stripe information according to the color index !

F14 WIRE HARNESS & ELECTRIC PART LM25W5-PC [GTS 250i EVO]

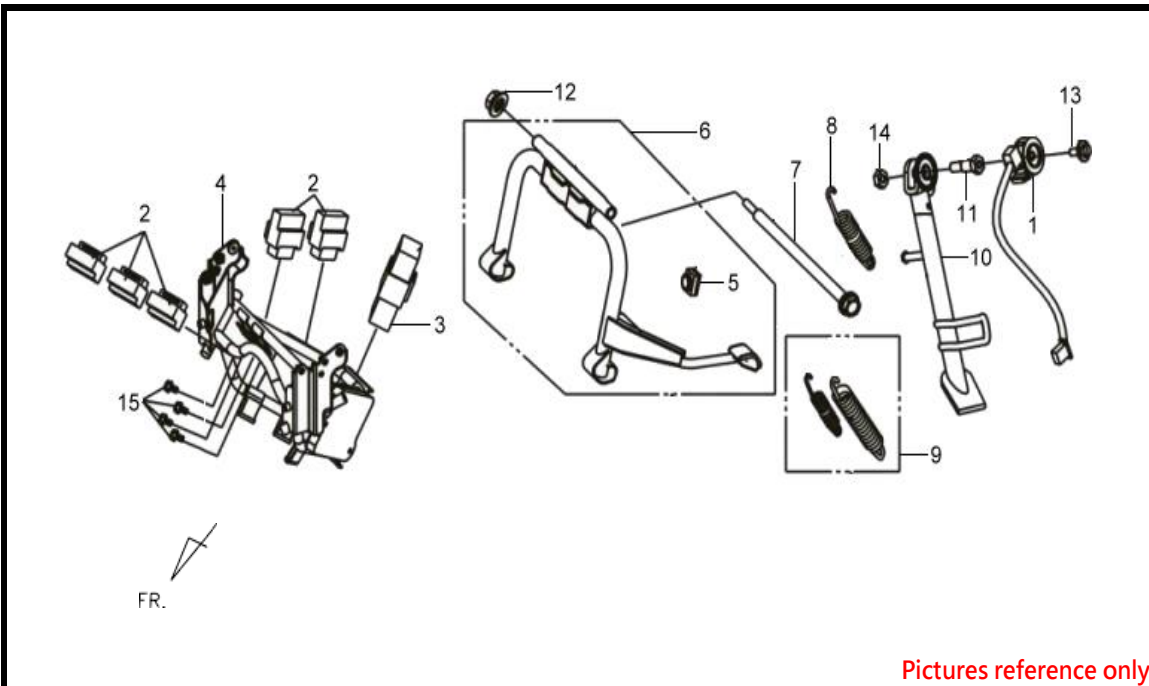


Pictures reference only

PARTS NUMBER	DESCRIPTION	QTY	EFFECTIVE DATE	
1 3043A-REA-000	BATTERY OPEN CONTROL ASSY	1		
2 3051A-HMA-010	IGNITION COIL ASSY	1		
3 31600-HMA-010	REG. REC. COMP	1		
3 31600-HMA-020	REG. REC. COMP	1	2012/6/18	N
4 32100-HML-110	WIRE HARNESS	1		
5 32411-HMA-000	CABLE BATTERY	1		
6 32412-HMA-000	CABLE EARTH	1		
7 32415-HMA-010	EARTH CABLE B	1		
8 35010-HMA-100	KET SET	1		
9 35100-HMA-300	COMB.LOCK SW.ASSY	1		
10 35110-HMA-000	SHUTTER COMP	1		
11 35111-HMA-100-A01/20	KEY	1		
11 35111-HMA-100-B01/20	KEY	1		
12 35860-HMC-010	START MAG.SET	1		
13 35880-HMB-000	LINER MOTOR ASSY.	1		
14 31600-HMA-010	REG. REC. COMP	1		
15 38110-HMA-000	HORN COMP	1		
16 38600-RA1-000	DC. POWER OUTLET	1		
17 38710-HML-010	ENG. CONT UNIT	1		
18 38800-H5B-000	ELECTRIC RELAY UNIT	1		
19 64321-A5L-000	ECU SUSPENSION	1		
20 77233-HMA-000	INNER BOX LOCK ASSY	1		
21 90085-HHA-900	SELF LOCKING BOLT 6*16	1		
22 93894-04022-08	WASHER SCREW	2		
23 95801-06016-08	FLANGE BOLT 6X16	5		
24 90110-FYA-000	FLANGE BOLT 6X14			

F15 MAIN STAND & FR. COVER STAY

LM25W5-PC [GTS 250i EVO]



Pictures reference only

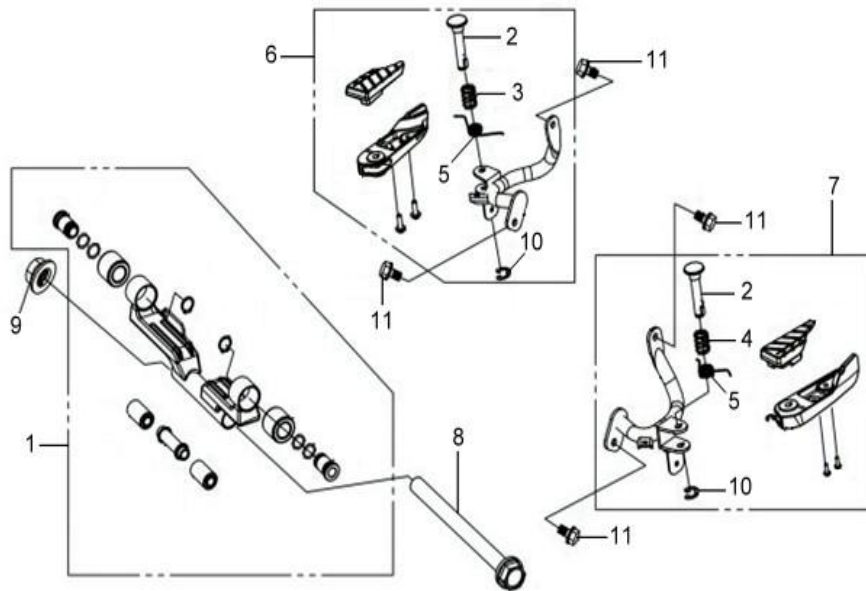
PARTS NUMBER	DESCRIPTION	QTY	EFFECTIVE DATE	
1 36500-HMA-000	SIDE STAND SW COMP	1		
2 3850A-M8Q-000	ELEC RELAY ASSY	2		
3 38720-HMA-000	HAZARD CTRL UNIT	1		
4 50315-HMA-000	FR COVER STAY ASSY.	1		
4 50315-HWF-000	FR COVER STAY	1	2103/7/2	N
5 50505-M92-010	STAND STOPPER RUB.	1		
6 5050A-HMA-000	MAIN STAND ASSY	1		
7 50512-H6B-000	MAIN STAND PIVOT BOLT	1		
8 5053A-HMA-000	SIDE STAND SPRING ASSY.	1		
9 5052A-H9A-000	MAIN STAND SPG.ASSY	1		
10 50530-HMA-000	SIDE STAND COMP	1		
11 90108-HMA-000	SIDE STAND PIVOT SCREW	1		
12 90304-M9Q-000	NUT U FLANGE 10MM	1		
13 93404-06016-07	BOLT WASHER 6X16	1		
14 94002-08080-0S	HEX NUT 8MM	1		
15 95801-06012-08	FLANGE BOLT 6X12	4		

 TEAMWORLD IND. 2012.06

※ Please check the color & stripe information according to the color index !

F16 PILLION STEP

LM25W5-PC [GTS 250i EVO]



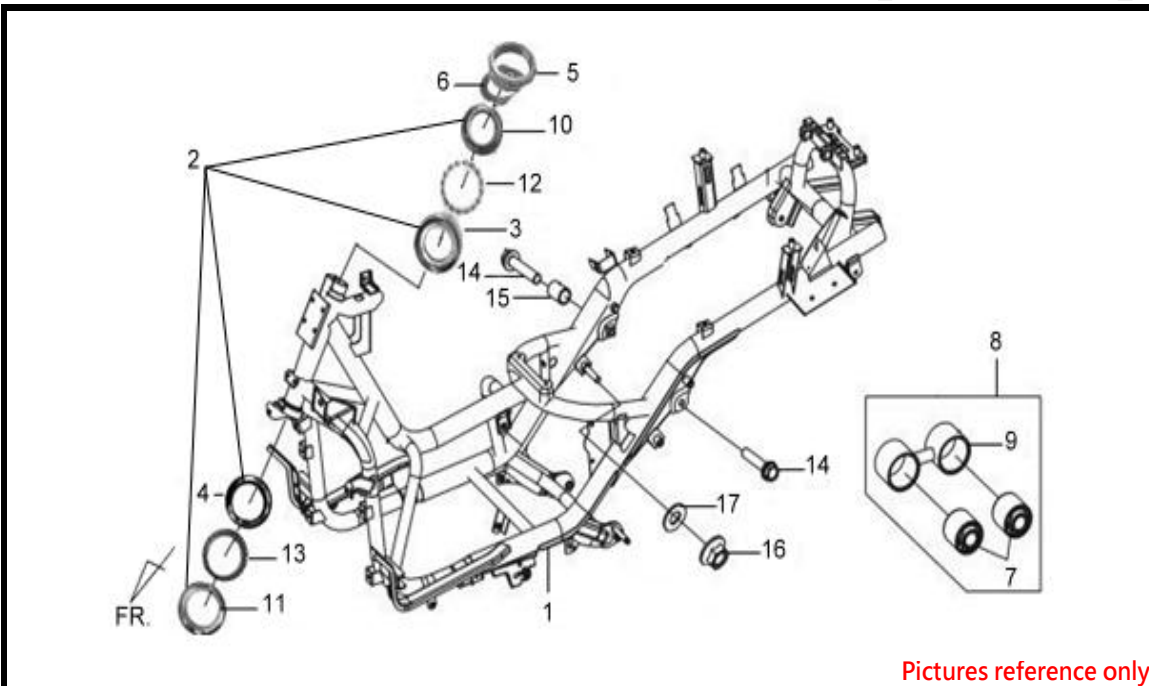
Pictures reference only

PARTS NUMBER	DESCRIPTION	QTY	EFFECTIVE DATE
1 50350-HMA-010	ENG. HANGER LINK ASSY.	1	
2 50625-HMA-000	PILLION STEP PIN	2	
3 50626-HMA-000	R. PILLION STEP SPG	1	
4 50627-HMA-000	L. PILLION STEP SPG	1	
5 50629-HMA-000	RETURN SPG	2	
6 5062A-HMA-000	R PILLION STEP ASSY.	1	
7 5062B-HMA-000	L PILLION STEP ASSY.	1	
8 90105-HMA-000	FLANGE BOLT	1	
9 90306-M9Q-000	SELF LOCK NUT 12MM	1	
10 90605-166-720	CIR CLIP 7MM	2	
11 95801-08020-08	FLANGE BOLT	4	

※ Please check the color & stripe information according to the color index !

F17 FRAME BODY

LM25W5-PC 【GTS 250i EVO】



Pictures reference only

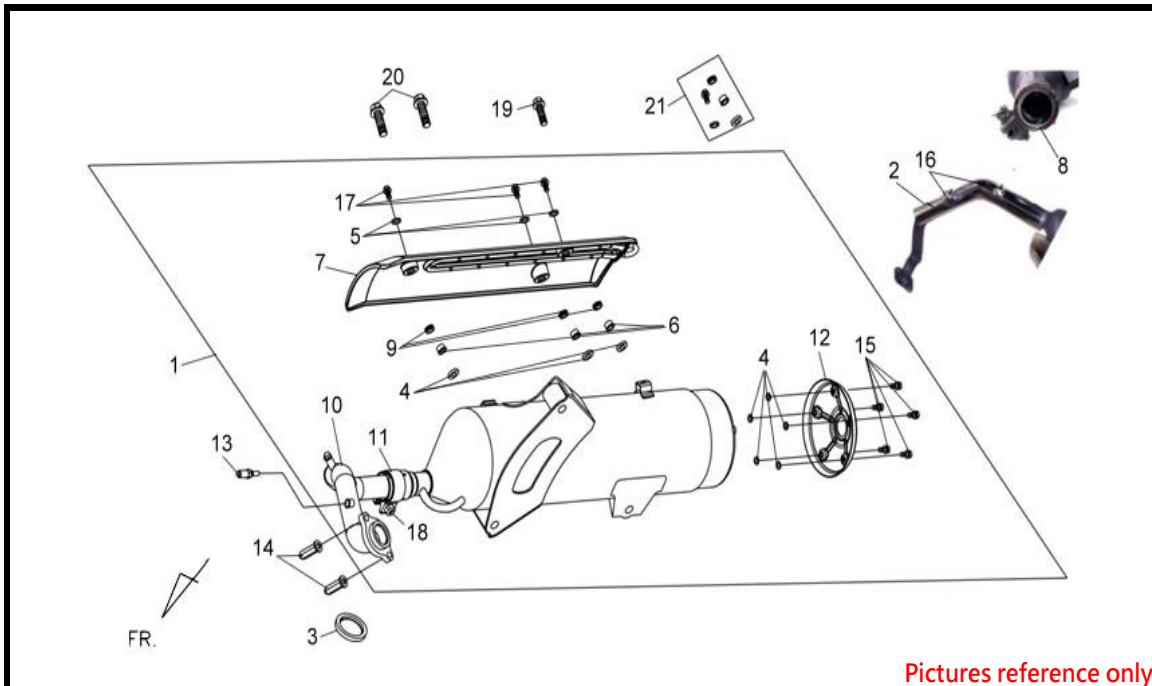
PARTS NUMBER	DESCRIPTION	QTY	EFFECTIVE DATE
1 50100-HMJ-000	FRAME BODY COMP	1	
2 50300-HMA-000	BALL RACE SET	1	
3 50301-HMA-000	RACE UP STRG BALL	1	
4 50305-VA3-000	STRG.BOTTOM BALL RACE	1	
5 50306-M9Q-000	STRG. STEM LOCK NUT(MZ→SY)	1	
6 50308-HMA-000	STRG STEM WASHER	1	
7 50356-HMA-000	STOPPER RUBBER BUSH	2	
8 50380-HMA-000	TENSION ROD ASSY.	1	
9 50381-HMA-000	TENSION ROD	1	
10 53211-HMA-000	STRG. UP CONE RACE	1	
11 53212-VA3-000	STRG BOTTOM CONE RACE	1	
12 53215-HMA-000	STEEL BALL UP ASSY.	1	
13 53225-HMA-000	STEEL BALL LOW ASSY.	1	
14 90106-HHA-000	FLANGE BOLT 12*55	2	
15 90121-HHA-000	DISTANCE COLLAR	1	
16 90306-M9Q-000	SELF LOCK NUT 12MM	1	
17 94103-12800	PLAIN WASHER	1	

 TEAMWORLD IND. 2012.06

※ Please check the color & stripe information according to the color index !

F18 MUFFLER ASSY

LM25W5-PC [GTS 250i EVO]



Pictures reference only

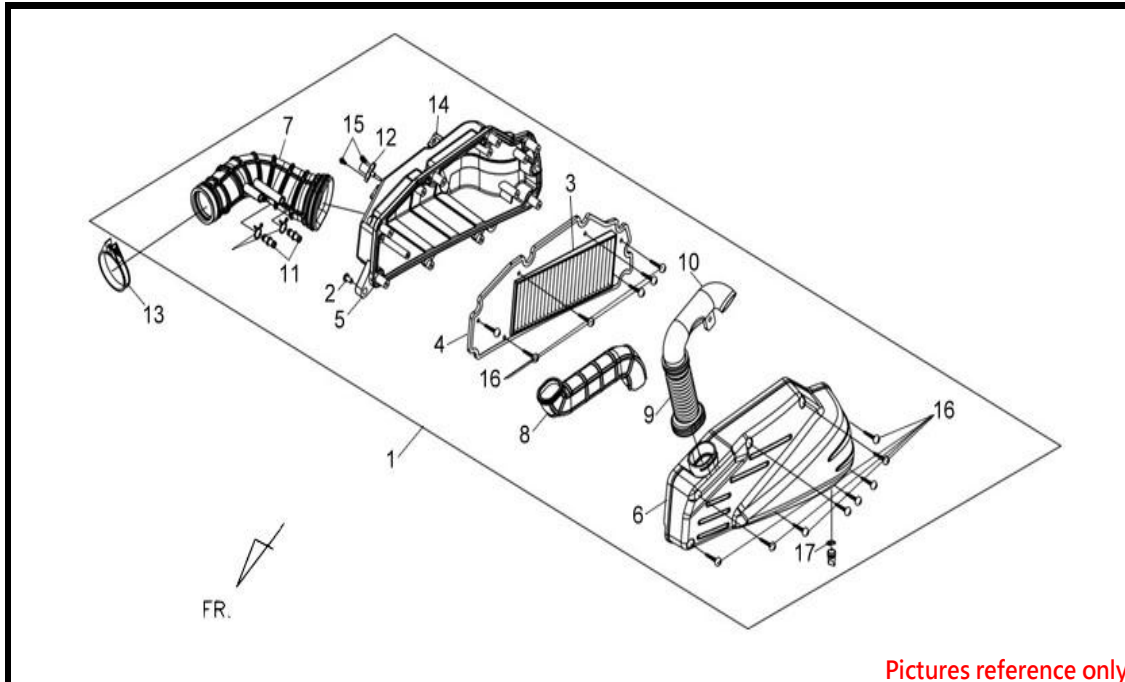
PARTS NUMBER	DESCRIPTION	QTY	EFFECTIVE DATE	
1 18000-HML-000	EXH. MUFFLER ASSY(CATALYST)	1		
2 18241-HMA-020	EXH. PIPE PROTECTOR	1		
3 18291-H9A-000	EXHAUST PIPE GASKET	1		
4 18292-F3E-000	PROTECTOR PACKING A	8		
5 18293-F3E-000	PROTECTOR PACKING	3		
6 18295-A1A-000	COLLAR M6	3		
7 18318-HMA-300	MUFFLER PROTECTOR	1		
8 18319-HMA-300	MUFFLER GASKET	1		
9 18320-F3E-000	PROTECTOR RUBBER	3		
9 18321-L1A-000	PROTECTOR RUBBER	3	2013/6/17	N
10 18320-HML-301	EXHAUST PIPE	1		
11 18321-RB1-000	MUFFLER BAND 37MM	1		
12 18328-HLK-000	MUFFLER REAR PROTECTOCR	1		
13 37890-A5L-000	O2 SENSOR	1		
14 90043-HMA-000	CAP NUT	2		
15 90103-H13-000	SH. FLANGE BOLT 6X16	3		
16 90103-V02-000	FLANGE SH BOLT SET 6X12	2		
17 93401-06022-07	WASHER BOLT 6X22	4		
18 95801-08035-07	FLANGE BOLT M8X35	1		
19 95801-10050-07	BOLT FLANGE 10X50	1		
20 95801-10075-07	FLANGE BOLT	2		
21 H2B-6	MUFFLER COVER NUT SET	1		

 **TEAMWORLD IND. 2012.06**

※ Please check the color & stripe information according to the color index !

F19 AIRCLEANER ASSY

LM25W5-PC [GTS 250i EVO]



Pictures reference only

PARTS NUMBER	DESCRIPTION	QTY	EFFECTIVE DATE
1 17200-HML-000	AIR/C ASSY	1	
2 17208-HMA-000	AIR/C SET COLLAR	2	
3 17211-HMA-000	AIR/C ELEMENT COMP	1	
4 17214-HMA-000	AIR/C COVER SEAL	1	
5 17230-HMC-000	AIR/C CASE COMP	1	
6 17231-HMA-000	AIR CLEANER CASE.	1	
7 17253-HMA-000	AIR/C CONN TUBE	1	
8 17255-HMA-000	AIR/C INLET DUCT	1	
9 17257-HMA-000	AIR/C DUCT A	1	
10 17258-H9A-000	AIR/C CASE DUCT	1	
11 17359-M9Q-000	BREATHER TUBE JOINT	2	
12 37830-HMC-000	AIR TEMP SENSOR	1	
13 90652-HMA-000	AIR/C CONN.TUBE BAND 48	1	
14 90677-GR1-003	CLIP NUT 5X0.8	2	
15 93891-05016-07	WASH SCREW 5X16	2	
16 93903-25480	TAPPING SCREW 5X20	14	
17 95002-80000	TUBE CLIP C12	2	

※ Please check the color & stripe information according to the color index !