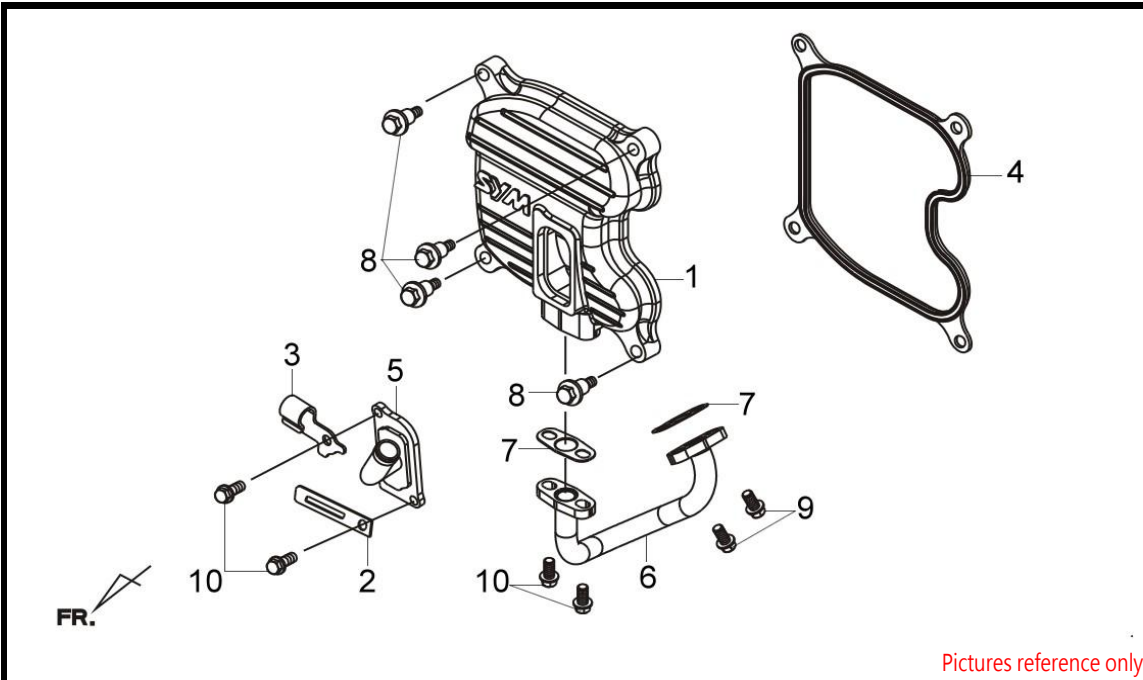


E01
CYLINDER HEAD COVER

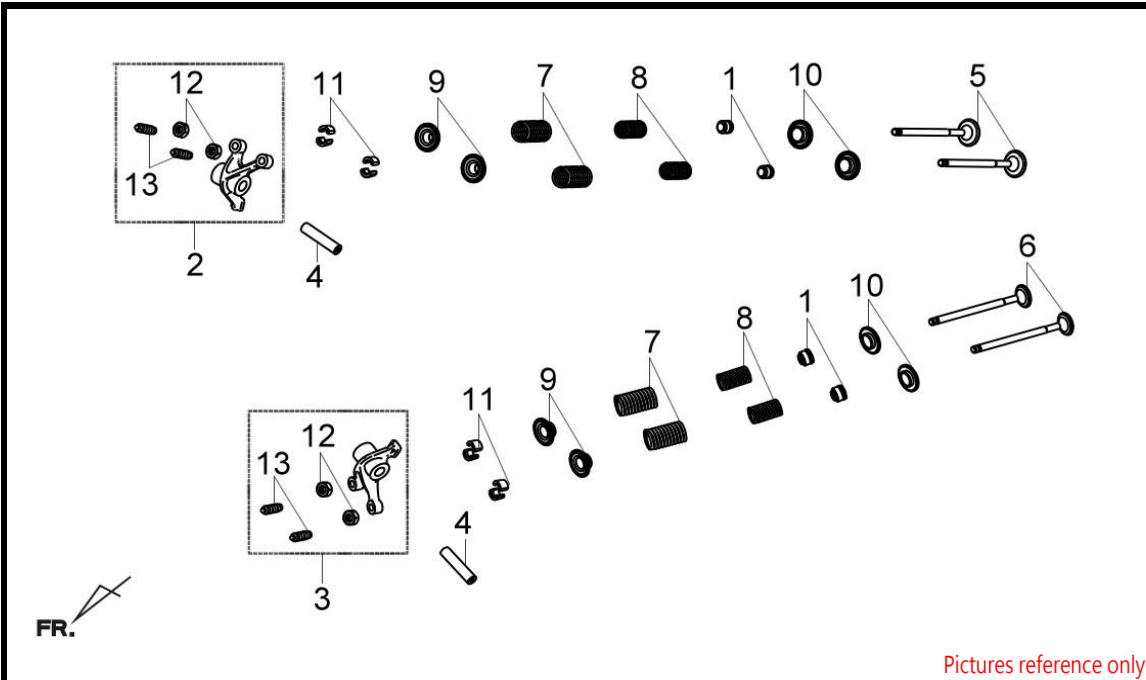
GTS 250I NEW



Pictures reference only

NO	PARTS NUMBER	DESCRIPTION	QTY	EFFECTIVE DATE
1.0	12301-HMA-000	CYLINDER HEAD COVER	1	
2.0	12342-X01-000	CLAMP	1	
3.0	12363-L2E-010	IGNITION COIL CLAMP	1	
4.0	12391-HMA-000	CYLINDER HEAD COVER GASKE	1	
5.0	18610-L2E-000	REED VALVE COMP	1	
6.0	18647-HMA-000	AIR PIPE COMP	1	
7.0	18654-N14-000	AIR PIPE GASKET	2	
8.0	90002-HMA-000	CYLINDER HEAD COVER BOLT	4	
9.0	96001-06014-00	FLANGE BOLT SH 6X14	2	
10.0	96001-06016-00	FLANGE BOLT SH 6X16	4	

IN/EX. VALVE ROCKER ARM

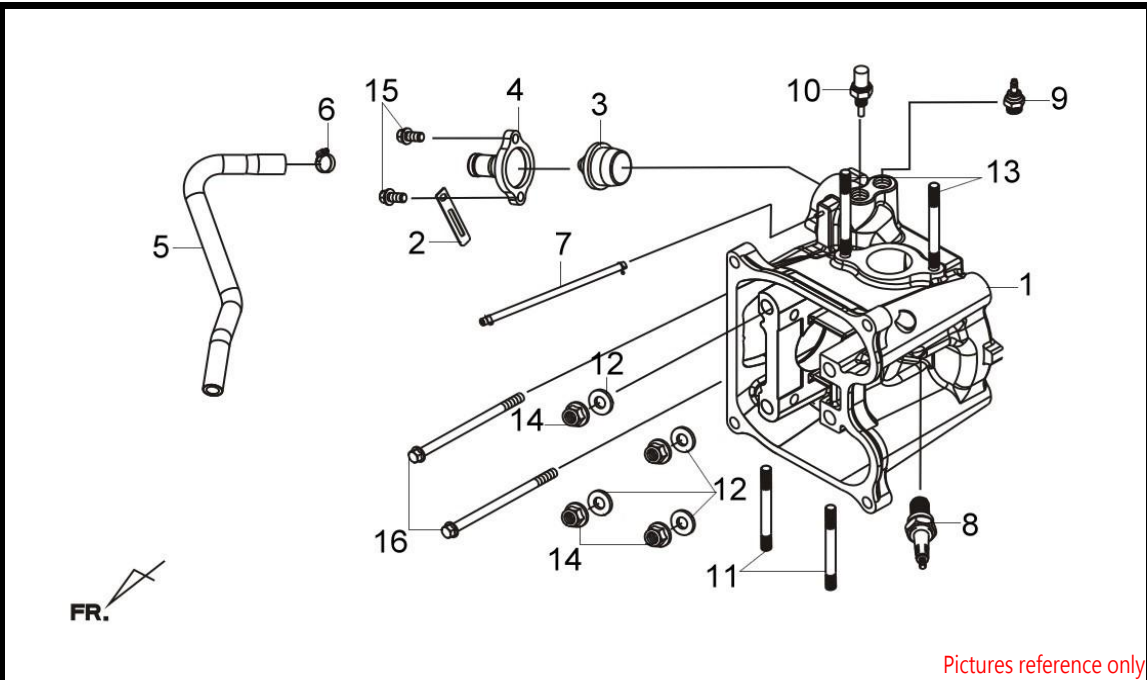


Pictures reference only

NO	PARTS NUMBER	DESCRIPTION	QTY	EFFECTIVE DATE
1.0	12209-H6B-900	VALVE STEM SEAL	4	
2.0	1443A-HMA-000	IN. VALVE ROCKER ARM ASSY	1	
3.0	1444A-HMA-000	EX. VALVE ROCKER ARM ASSY	1	
4.0	14451-HMA-000	ROCKER ARM SHAFT	2	
5.0	14711-HMA-000	INLET VALVE	2	
6.0	14721-RFS-000	EX. VALVE	2	
7.0	14751-HMA-000	VALVE OUTER SPRING	4	
8.0	14761-HMA-000	INNER VALVE SPRING	4	
9.0	14771-GB4-680	VALVE SPRING RETAINER	4	
10.0	14777-KN7-670	VALVE SPRING SEAT	4	
11.0	14781-M9Q-000-A	VALVE COTTER SET(1SET/4PCS)	2	
12.0	90012-HLK-000	TAPPET ADJUSTING SCREW	4	
13.0	90206-HLK-000	TAPPET ADJUSTING NUT	4	

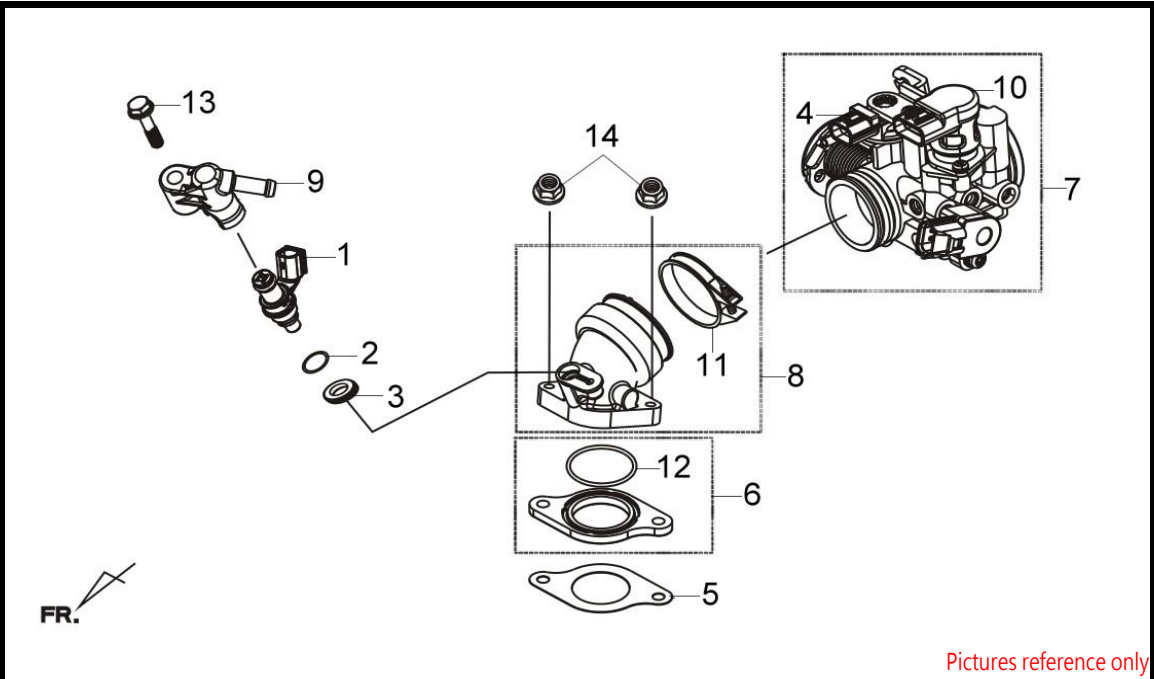
E03
CYLINDER HEAD COMP

GTS 250I NEW



NO	PARTS NUMBER	DESCRIPTION	QTY	EFFECTIVE DATE
1.0	12200-HMC-000	CYLINDER HEAD COMP	1	
2.0	12342-X01-000	CLAMP	1	
3.0	19300-HMA-000	THERMOSTAT ASSY.	1	
4.0	19315-L3A-010	THERMOSTAT COVER	1	
5.0	19502-L3A-000	WATER HOSE	1	
6.0	19505-REA-000	HOSE CLAMP	1	
7.0	1951A-HMA-010	THERMOSTAT TUBE ASSY	1	
8.0	1PCR8E-3	PLUG CR8E	1	
9.0	37750-PC1-004	THERMO UNIT ASSY	1	
10.0	37880-HMC-000	TW SENSOR	1	
11.0	90034-HMA-000	SPECIAL STUD BOLT 8*40	2	
12.0	90442-HMA-000	SEAL WASHER	4	
13.0	92900-06028-0B	STUB BOLT 6X28	2	
14.0	94050-10080	FLANGE NUT 10MM	4	
15.0	96001-06016-00	FLANGE BOLT SH 6X16	2	
16.0	96001-06090-00	FLANGE SH BOLT 6X90	2	

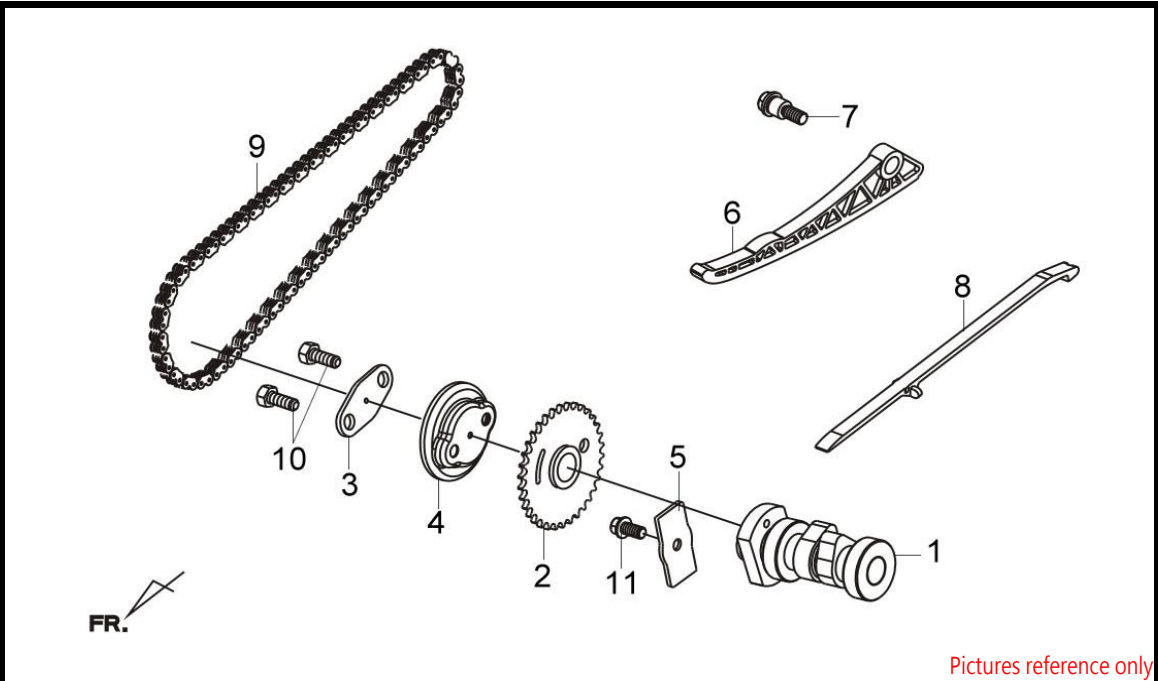
INLET PIPE ASSY



NO	PARTS NUMBER	DESCRIPTION	QTY	EFFECTIVE DATE
1.0	06414-LEF-000	FUEL INJECTOR	1	
2.0	06415-HNS-000	O-RING	1	
3.0	06416-HNS-000	SEAL-RING	1	
4.0	1614-906-0002	MAP SENSOR (16401-HML-000)	1	
5.0	16201-HMC-000	CARB. INSULATOR GASKET	1	
6.0	1621A-HMC-000	CARBURETOR INSULATOR ASSY	1	
7.0	16401-L2E-000	THROTTLE BODY ASSY	1	
8.0	1711A-L2E-000	INLET PIPE ASSY	1	
9.0	17120-HNS-010	FUEL INJECTOR CUP ASSY	1	
10.0	3700-A35B-0100	ISC VALVE	1	
11.0	90653-HMA-000	INLET PIPE BAND 48	1	
12.0	91308-HMA-000	O-RING 34*2.0	1	
13.0	92101-06016-0H	HEX BOLT 6*16	1	
14.0	94050-06000	FLANGE NUT 6MM	2	

E05
CAM SHAFT COMP

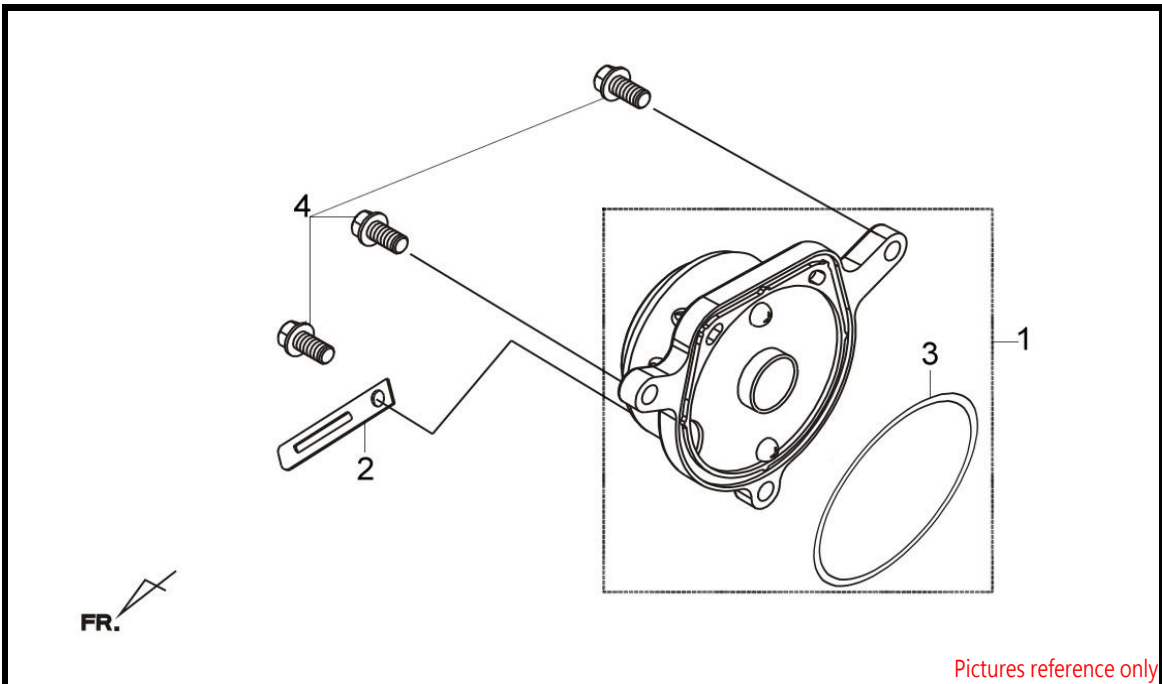
GTS 250I NEW



NO	PARTS NUMBER	DESCRIPTION	QTY	EFFECTIVE DATE
1.0	14100-HML-000	CAM SHAFT COMP	1	
2.0	14105-RFA-000	CAM SPROCKET	1	
3.0	14105-X01-000	CAM SPROCKET WASHER	1	
4.0	14108-M36-000	CENTRIFUGAL DISK	1	
5.0	14457-HMA-000	CAM SHAFT SETTING PLATE1.	1	
6.0	14510-RFA-000	CAM CHAIN TENSIONER	1	
7.0	14531-KJ9-000	CAM CHAIN TENSIONERPIVOT	1	
8.0	14610-RFA-000	CAM CHAIN GUIDE	1	
9.0	1C14401-RFA-000	CAM CHAIN 92RH2010-100L	1	
10.0	92101-06016-0H	HEX BOLT 6*16	2	
11.0	96001-06014-00	FLANGE BOLT SH 6X14	1	

E06
CYL. HEAD SIDE COVER

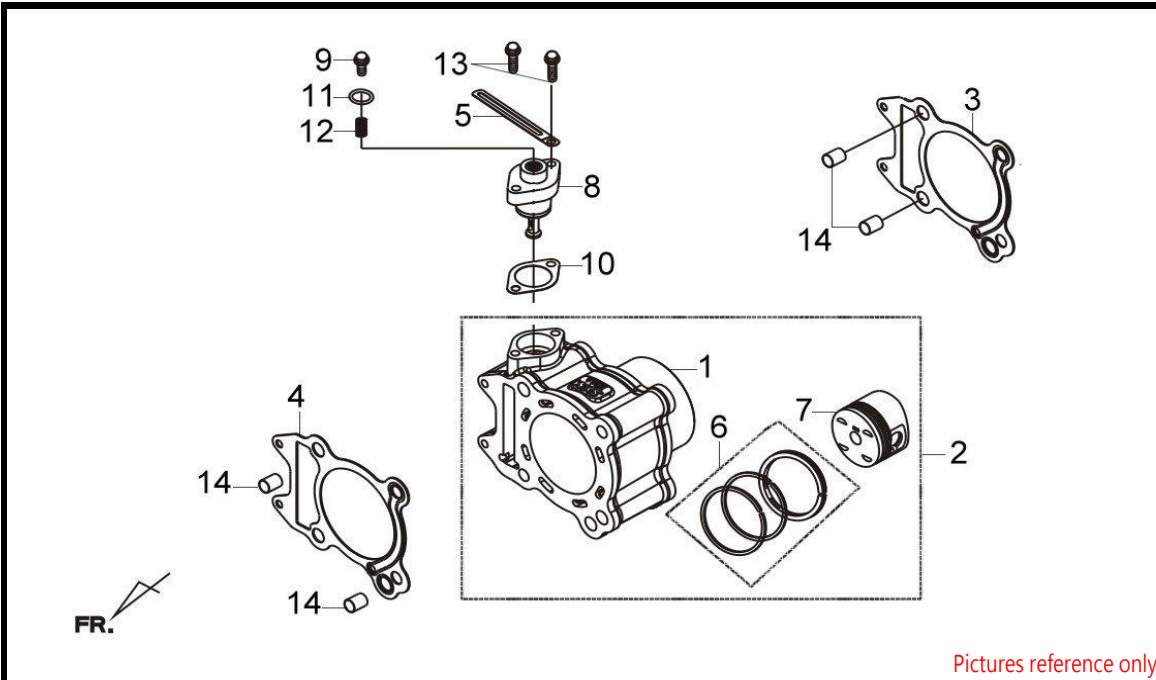
GTS 250I NEW



NO	PARTS NUMBER	DESCRIPTION	QTY	EFFECTIVE DATE
1.0	1231A-L3A-000	CYL. HEAD SIDE COVER ASSY	1	
2.0	12342-X01-000	CLAMP	1	
3.0	91301-HMA-000	HEAD SIDE COVER O-RING	1	
4.0	96001-06018-00	FLANGE BOLT SH 6X18	3	

E07
CYLINDER SET

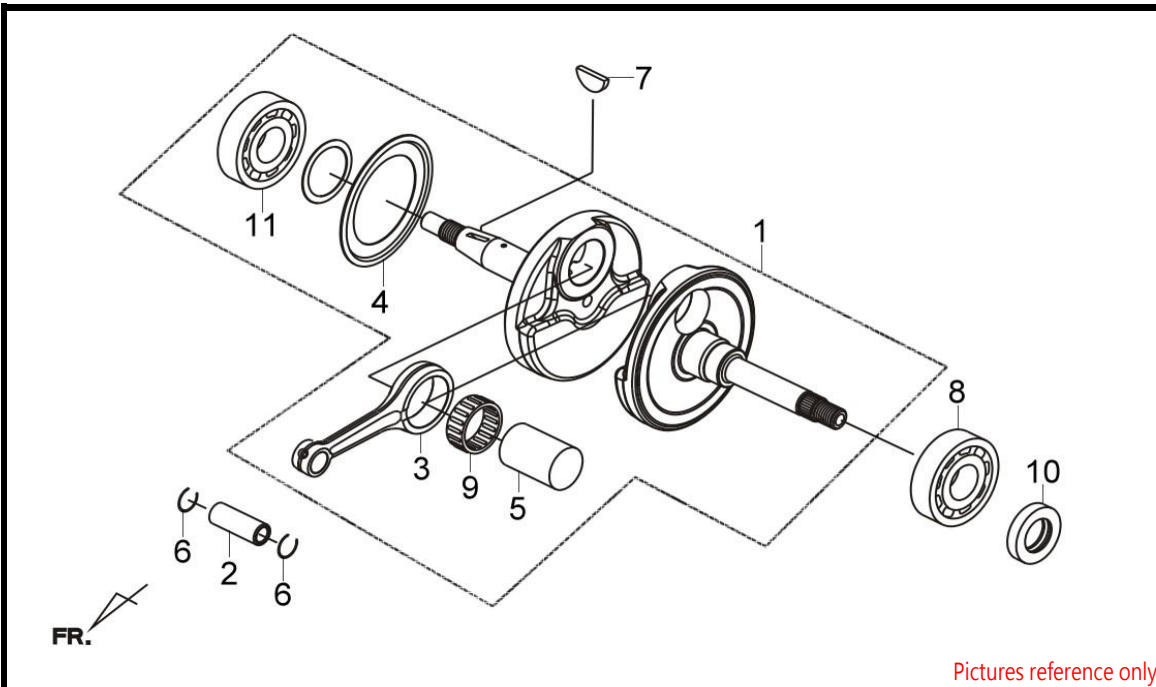
GTS 250I NEW



NO	PARTS NUMBER	DESCRIPTION	QTY	EFFECTIVE DATE
1.0	12100-HMA-000	CYLINDER COMP	1	
2.0	12100-HMA-000-A	CYLINDER SET	1	
3.0	12191-HMA-000	CYLINDER GASKET	1	
4.0	12251-HMA-000	CYLINDER HEAD GASKET	1	
5.0	12342-G02-000	CLAMP	1	
6.0	13010-HMA-000	PISTON RING SET	1	
7.0	13101-HMA-000	PISTON	1	
8.0	14520-H6T-000	TENSIONER LIFTER	1	
9.0	14522-H6T-000	TENSIONER ADJUSTER BOLT	1	
10.0	14523-M9Q-000	TENSIONER LIFTER GASKET	1	
11.0	14524-H6T-000	OIL-RING	1	
12.0	14525-H6T-000	ADJUSTER SPRING	1	
13.0	90001-M9Q-000	FLANGE SHF BOLT 6X22	2	
14.0	94301-12200	DOWEL PIN 12*20	4	

E08
CRANK SHAFT COMP

GTS 250I NEW

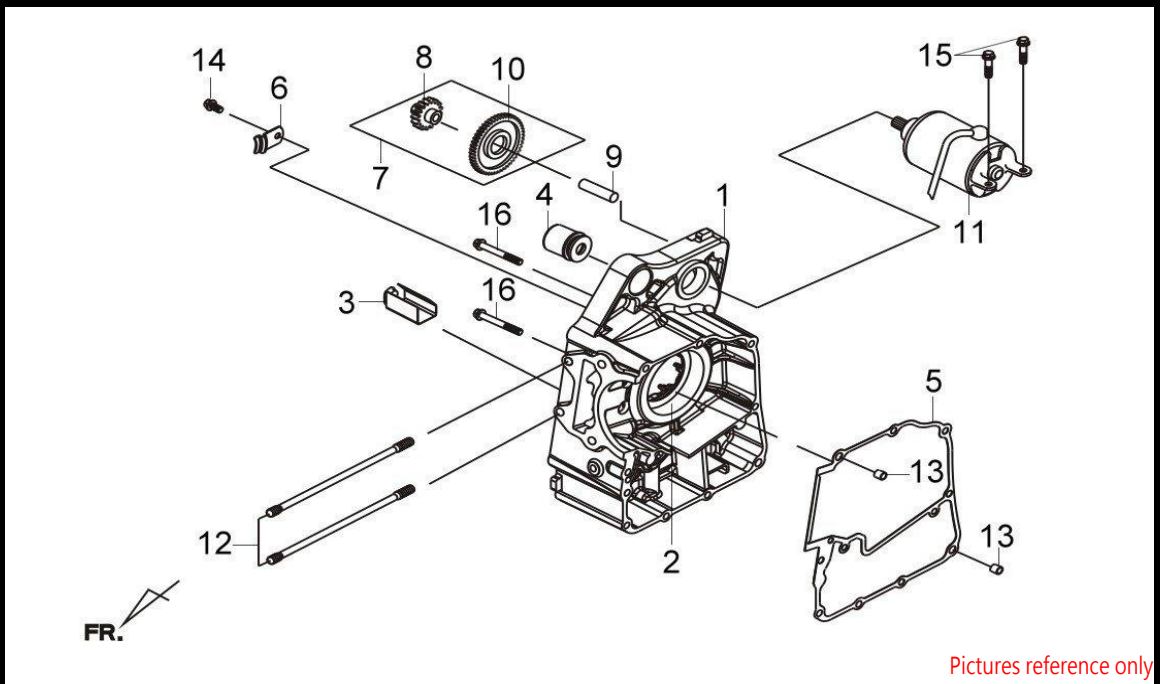


Pictures reference only

NO	PARTS NUMBER	DESCRIPTION	QTY	EFFECTIVE DATE
1.0	13000-L2A-000	CRANK SHAFT COMP	1	
2.0	13111-HMA-000	PISTON PIN	1	
3.0	13201-LEA-000	CONNECTING ROD	1	
4.0	13371-HMA-300	R CRANK SIDE PLATE	1	
5.0	13381-HMA-300	CRANK PIN	1	
6.0	90601-HMA-000	PISTON PIN CLIP	2	
7.0	90701-HB6-010	WOODRUFF KEY 25X14X4	1	
8.0	91001-HMA-000	RADIAL BALL BRG. TMB306	1	
9.0	91003-LEA-000	CONN. ROD BRG.KU32*41*17.8	1	
10.0	91201-HMA-300	OIL SEAL	1	
11.0	96100-62070-10	RADIAL BALL BEARING. 6207	1	

E09
R. CRANK CASE COMP

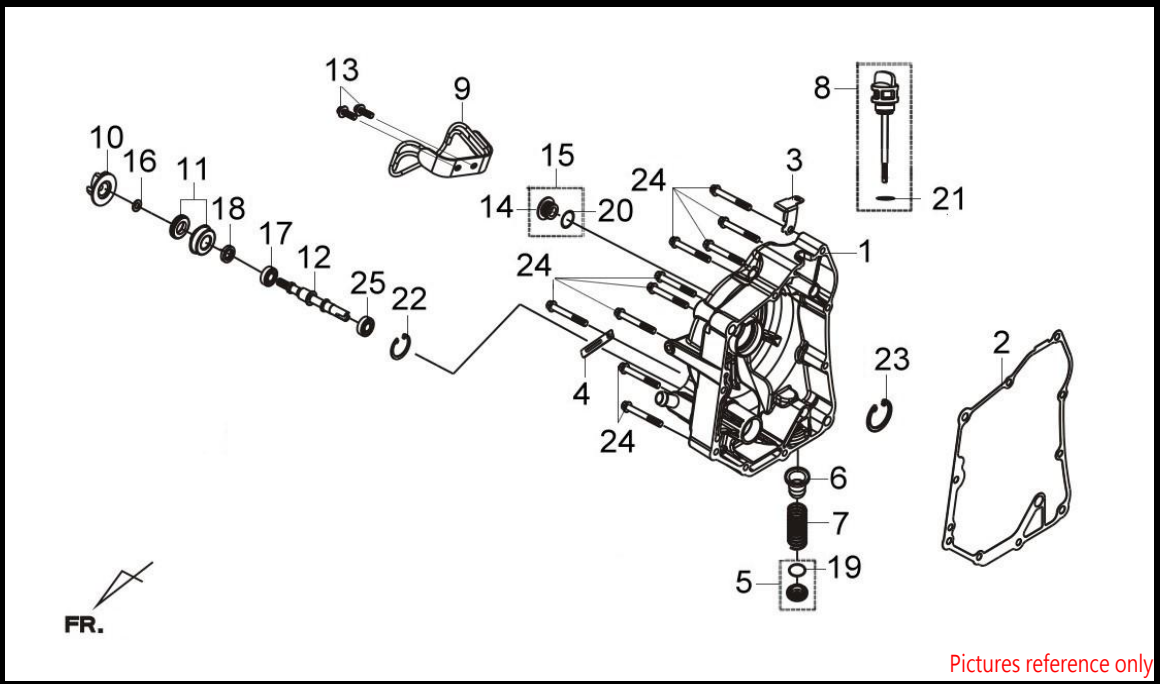
GTS 250I NEW



NO	PARTS NUMBER	DESCRIPTION	QTY	EFFECTIVE DATE
1.0	11100-HMA-001	R. CRANK CASE COMP	1	
2.0	11102-HMA-300	CRANK CASE BUSH 72MM	1	
3.0	11107-HMA-000	MAGNET PLATE	1	
4.0	11120-LEA-000	ENGINE HANGER BUSH ASSY	1	
5.0	11191-HMA-000	CRANK CASE GASKET	1	
6.0	14151-RFA-000	CAM CHAIN SETTING PLATE	1	
7.0	28100-HMA-000	STARER RED.GEAR COMP	1	
8.0	28101-HMA-300	STARTER RIDUCTION GEAR A	1	
9.0	28102-HMA-000	START.REDUCTION GEAR SHAFT	1	
10.0	28105-HMA-300	STARTER RIDUCTION GEAR B	1	
11.0	31200-HMA-000	START MOTOR ASSY.	1	
12.0	90031-HMA-000	CYLINDER STUD BOLT A	2	
13.0	94301-08140	DOWEL PIN 8X14	2	
14.0	96001-06012-08	FLANGE BOLT SH 6X12	1	
15.0	96001-06022-00	FLANGE BOLT SH 6X22	2	
16.0	96001-06055-00	BOLT FLANGE SH 6X55	2	

E10
R. CASE COVER COMP

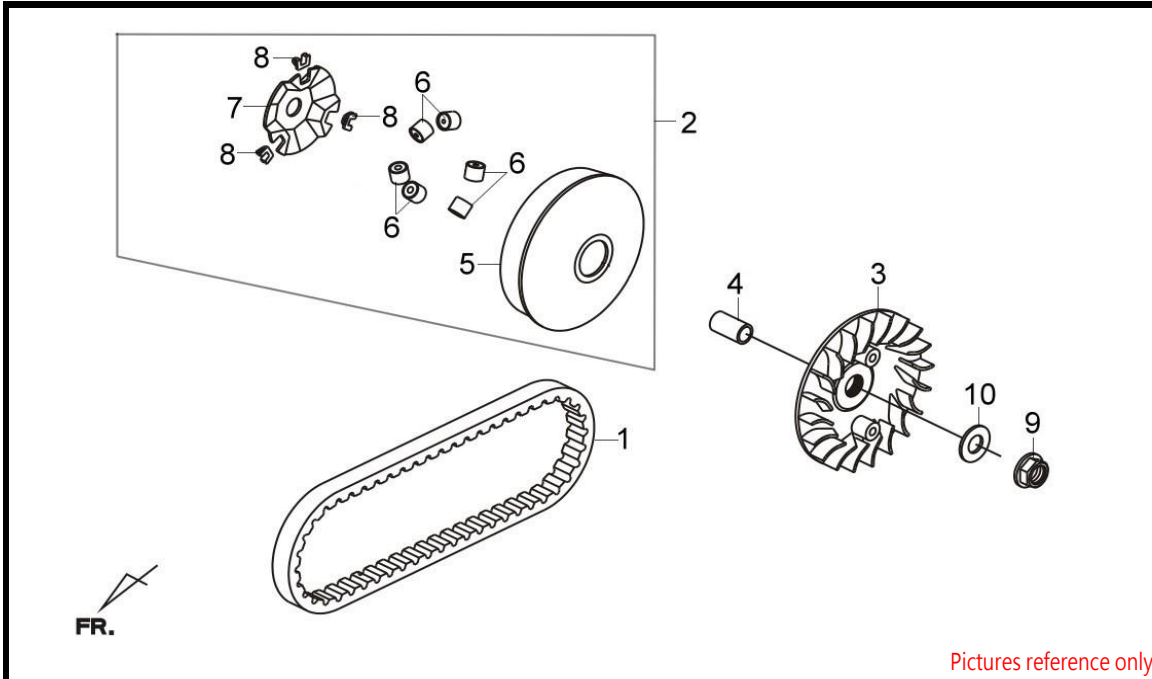
GTS 250I NEW



NO	PARTS NUMBER	DESCRIPTION	QTY	EFFECTIVE DATE
1.0	11330-L3A-000	R. CASE COVER COMP	1	
2.0	11394-HMA-000	R. CRANK CASE COVER GASKET	1	
3.0	11832-L3A-000	O2 SENSOR COUPLER STAY	1	
4.0	12342-X01-000	CLAMP	1	
5.0	1236A-V02-000	TAPPET ADJ HOLE CAP ASSY	1	
6.0	15421-B9D-000	OIL FILTER SCREEN	1	
7.0	15426-GE1-920	OIL FILTER SCREEN SPRING	1	
8.0	1565A-HMA-000	OIL LEVEL GAUGE ASSY	1	
9.0	18241-L3A-000	EXH. PIPE PROTECTOR	1	
10.0	19215-HLA-000	WATER PUMP IMPELLER	1	
11.0	19217-H9A-300	MECHANICAL SEAL	1	
12.0	19231-HMA-000	WATER PUMP SHAFT	1	
13.0	90003-L3A-000	WASHER BOLT 6X20	2	
14.0	90084-H9A-000	A.C.GEN. CAP 14MM	1	
15.0	9008A-H9A-000	A.C.G. CAP ASSY 14MM	1	
16.0	90423-KJ9-000	WASHER 7.2X13X1.2	1	
17.0	91001-KJ9-005	RADIAL BALL BRG.6901	1	
18.0	91205-KF0-003	OIL SEAL 12X20X5	1	
19.0	91302-M9Q-000	O-RING 30.8MM	1	
20.0	91303-377-000	O-RING 13.8X2.5	1	
21.0	91307-035-000	O-RING 18X3	1	
22.0	94520-26000	CIRCLIP IN 26MM	1	
23.0	94520-32000	IN CIRCLIP 32MM	1	
24.0	96001-06045-00	FLANGE BOLT 6X45	10	
25.0	96100-60000-00	RADIAL BALL BRG. 6000CM	1	

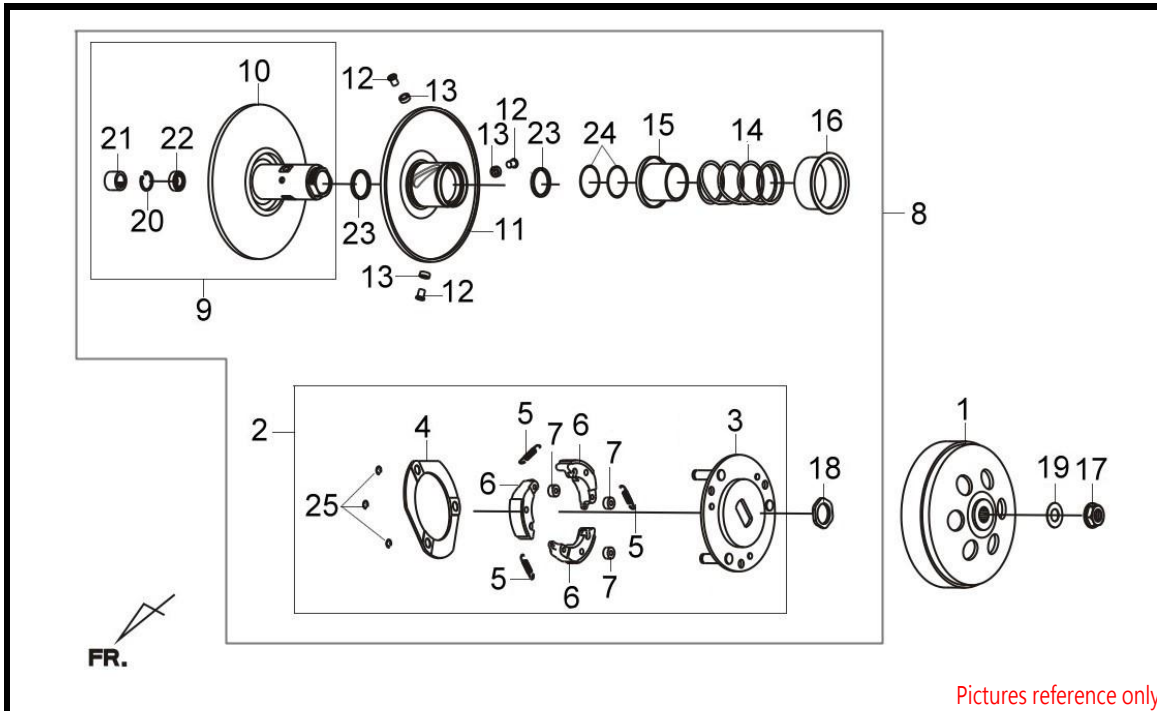
●Please check the color & stripe information according to the color index !

MOVABLE DRIVE FACE



NO	PARTS NUMBER	DESCRIPTION	QTY	EFFECTIVE DATE
1.0	1B01HMA01	DRIVE BELT(924X24.4X30)	1	
2.0	22000-RB1-000	MOVABLE DRIVE FACE ASSY.	1	
3.0	22102-HMA-000	DRIVE FACE	1	
4.0	22105-HMA-000	DRIVE FACE BOSS	1	
5.0	22110-HMA-000	MOVABLE DRIVE FACE COMP	1	
6.0	22121-RB1-001-A	WEIGHT ROLLER COMP(6PCS)(18G)	1	
7.0	22131-HMA-000	RAMP PLATE	1	
8.0	22132-HMA-000-A	SLIDE PIECE SET(3PCS/1SET)	1	
9.0	90201-KR8-751-M1	FLANGE NUT 14MM	1	
10.0	90401-KJ9-000	THRUST WASHER 14X28X2	1	

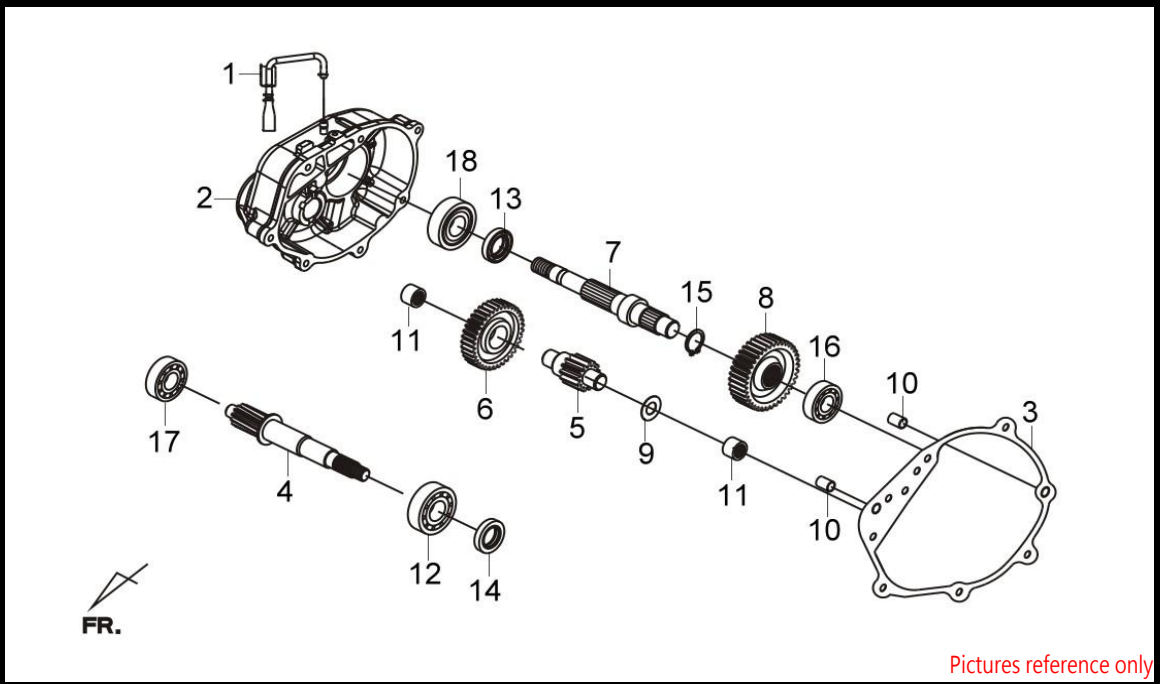
DRIVEN PULLEY ASSY



NO	PARTS NUMBER	DESCRIPTION	QTY	EFFECTIVE DATE
1.0	22101-L2C-000	CLUTCH OUTER	1	
2.0	22300-L3D-000	DRIVE PLATE ASSY	1	
3.0	22350-HMA-000	DRIVE PLATE COMP.	1	
4.0	22361-HMA-000	CLUTCH SIDE PLATE	1	
5.0	22401-HMA-000	CLUTCH SPRING	3	
6.0	22530-L3D-000-A	CLUTCH WEIGHT(3PCS)	1	
7.0	22804-HMA-000	CLUTCH DAMPER RUBBER	3	
8.0	23010-L2A-000	DRIVEN PULLEY ASSY	1	
9.0	23200-HMA-000	DRIVEN FACE ASSY	1	
10.0	23210-HMA-000	DRIVEN FACE COMP	1	
11.0	23220-HMA-000	MOVABLE DRIVEN FACE COMP	1	
12.0	23225-HMA-000	ROLLER GUIDE PIN	3	
13.0	23226-HMA-000	GUIDE ROLLER	3	
14.0	23233-HMA-000	DRIVEN FACE SPRING	1	
15.0	23237-HMA-000	SEAL COLLAR	1	2013/10/03
16.0	23238-HMA-000	SPRING COLLAR	1	2013/10/03
17.0	90201-KR8-751-M1	FLANGE NUT 14MM	1	
18.0	90202-HMA-000	SPECIAL NUT	1	
19.0	90401-KJ9-000	THRUST WASHER 14X28X2	1	
20.0	90602-HMA-000	IN. CIRCLE CLIP	1	
21.0	91006-HMA-300	NEEDLE BEARING	1	
22.0	91007-HMA-300	RADIAL BALL BRG.	1	
23.0	91211-HMA-000	OIL SEAL	2	
24.0	91305-HMA-000	O-RING 47*2.0	2	
25.0	94540-08010	E-RING	3	

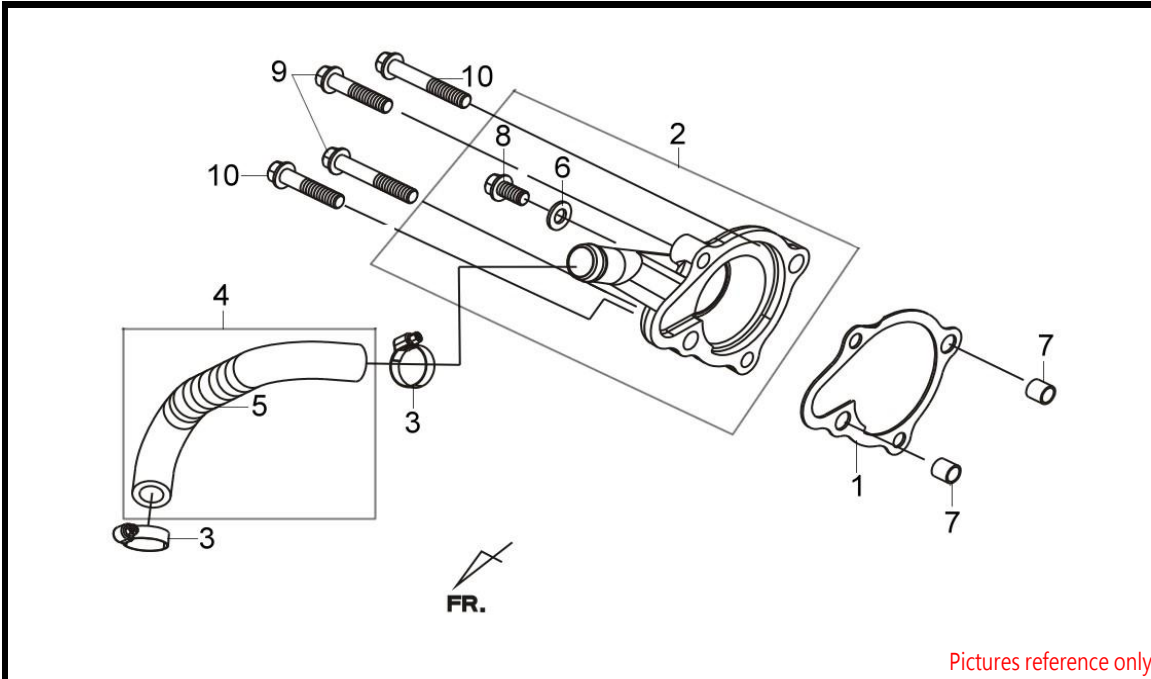
E13
MISSION CASE COMP

GTS 250I NEW



NO	PARTS NUMBER	DESCRIPTION	QTY	EFFECTIVE DATE
1.0	1122A-HMA-000	MISSION BREATHER TUBE ASSY	1	
2.0	21200-HMA-000	MISSION CASE COMP	1	
3.0	21395-HMA-000	MISSION COVER GASKET	1	
4.0	23411-HMA-000	DRIVE SHAFT	1	
5.0	23421-HMA-300	COUNTER SHAFT	1	
6.0	23422-HMA-300	COUNTER GAER	1	
7.0	23431-HMA-000	FINAL SHAFT	1	
8.0	23432-HMA-000	FINAL GEAR	1	
9.0	90401-HMA-000	THRUST WASHER 15MM	1	
10.0	90703-M8Q-000	DOWEL PIN 10X14	2	
11.0	91002-HMA-000	NEEDLE BRG. HK1516	2	2013/10/03
12.0	91009-HMC-000	BALL RADIAL BRG.CSB205 JR2C3	1	
13.0	91203-HMA-000	OIL SEAL	1	
14.0	91204-HMA-000	OIL SEAL	1	
15.0	94510-25000	EX. CIR CLIP 25MM	1	
16.0	96100-62040-10	RADIAL BALL BRG. 6204	1	
17.0	96100-63020-00	RAD.BALL.BRG.6302	1	
18.0	96150-62050-10	RADIAL BALL BRG. 6205LLU	1	

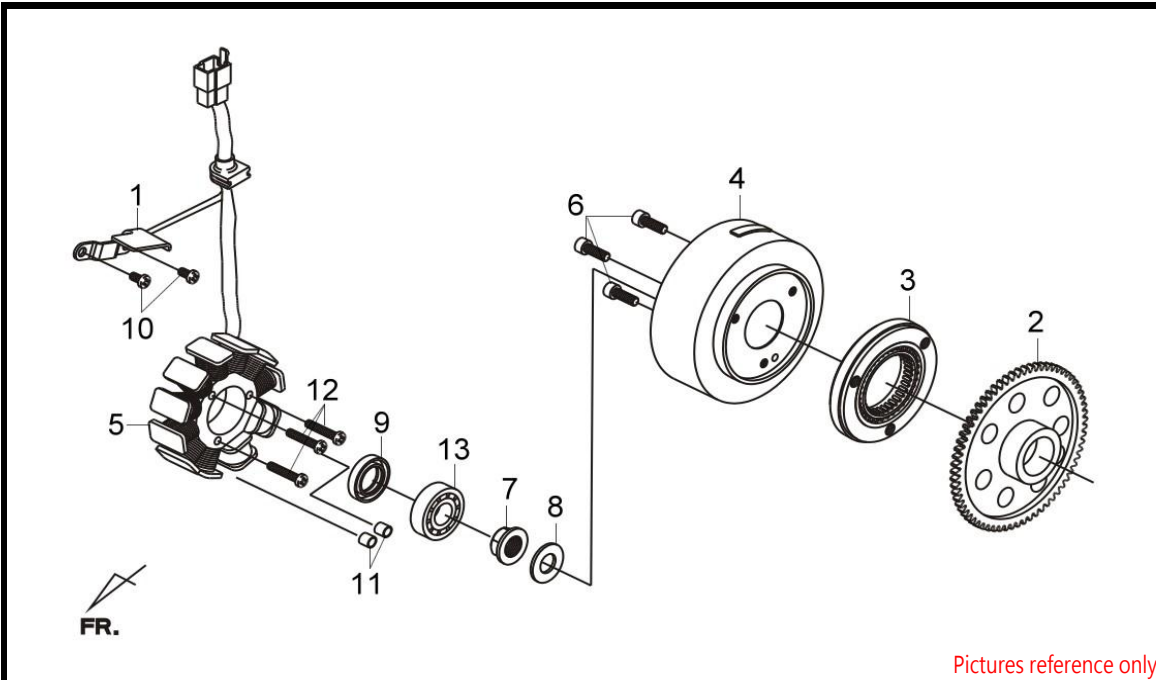
WATER PUMP COVER



NO	PARTS NUMBER	DESCRIPTION	QTY	EFFECTIVE DATE
1.0	19229-H9A-000	WATER PUMP GASKET	1	
2.0	1922A-LEA-000	WATER PUMP COVER ASSY	1	
3.0	19505-KS6-700	WATER HOSE CLAMP A	2	
4.0	1950A-LEA-000	WATER HOSE ASSY	1	
5.0	19604-H01-000	LH. WATER HOSE GUARD WIRE	1	
6.0	90478-700-000	WASHER A. 6MM	1	
7.0	94301-08140	DOWEL PIN 8X14	2	
8.0	96001-06010-00	SH FLANGE BOLT 6X10	1	
9.0	96001-06022-00	FLANGE BOLT SH 6X22	2	
10.0	96001-06032-00	FLANGE BOLT SH 6X32	2	

E15
FLYWHEEL & STATOR

GTS 250I NEW

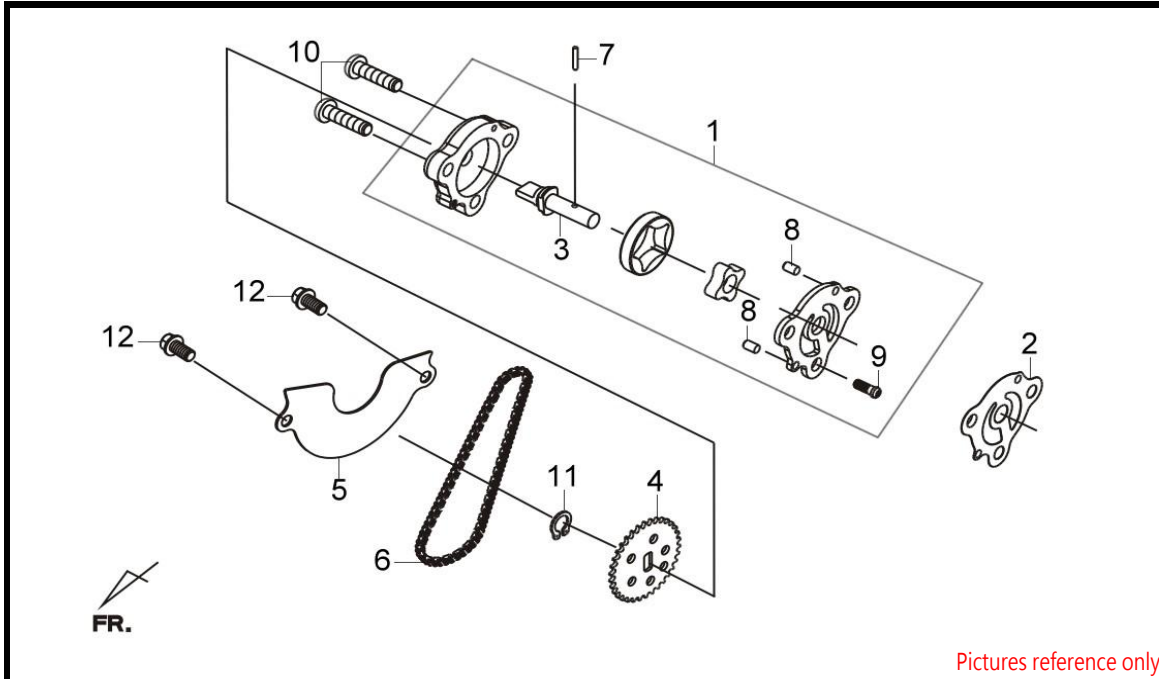


Pictures reference only

NO	PARTS NUMBER	DESCRIPTION	QTY	EFFECTIVE DATE
1.0	15713-HMC-010	OIL BAFFLEPLATE	1	
2.0	28110-HMA-000	STARTING CLUTCH GEAR COMP	1	
3.0	2812A-L3A-000	ONE WAY CLUTCH ASSY	1	
4.0	31110-L3A-000	FLYWHEEL COMP	1	
5.0	31120-L3A-000	STATOR COMP	1	
6.0	90157-F3G-000	SOCKET BOLT 8X20	3	
7.0	90201-KR8-751-M1	FLANGE NUT 14MM	1	
8.0	90401-KJ9-000	THRUST WASHER 14X28X2	1	
9.0	91202-HMA-000	OIL SEAL	1	
10.0	93500-05016-0A	PAN SCREW 5X16	2	
11.0	94301-08140	DOWEL PIN 8X14	2	
12.0	96001-06030-00	FLANGE BOLT SH 6X30	3	
13.0	96140-62013-10	RADIAL BALL BRG. 6201LUC3	1	

E16
OIL PUMP ASSY

GTS 250I NEW

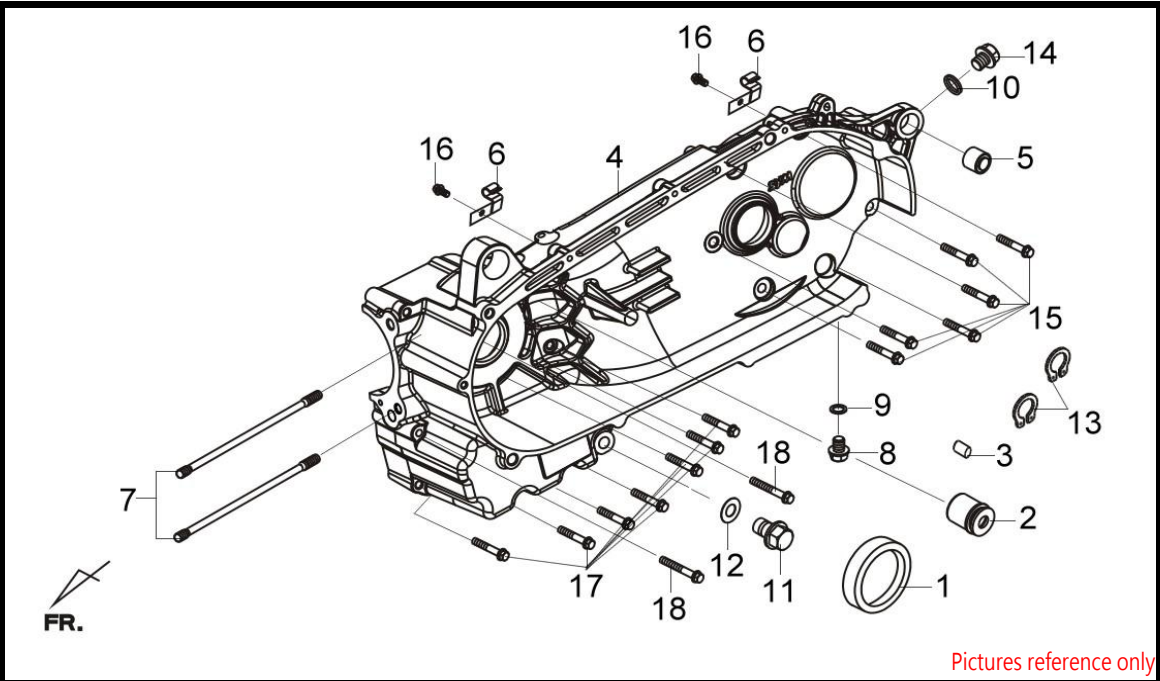


NO	PARTS NUMBER	DESCRIPTION	QTY	EFFECTIVE DATE
1.0	15100-HMA-000	OIL PUMP ASSY.	1	
2.0	15126-B8A-000	OIL PUMP GASKET	1	
3.0	15132-HMA-000	OIL PUMP SHAFT	1	
4.0	15133-HMA-000	OIL PUMP DRIVEN SPROCKET	1	
5.0	15711-HML-000	OIL SEPARATER	1	
6.0	1C15141-HMA-000	OIL PUMP CHAIN 92RH2005-48	1	
7.0	91101-HMA-000	PIN 2.5*11.8	1	
8.0	91103-A3F-000	ROLLER 3*9.8	2	
9.0	93500-03008-1A	PAN SCREW 3X8	1	
10.0	93500-06025-0H	PAN SCREW	2	
11.0	94510-10000	CIR CLIP 10MM	1	
12.0	96001-06012-08	FLANGE BOLT SH 6X12	2	

E17

GTS 250I NEW

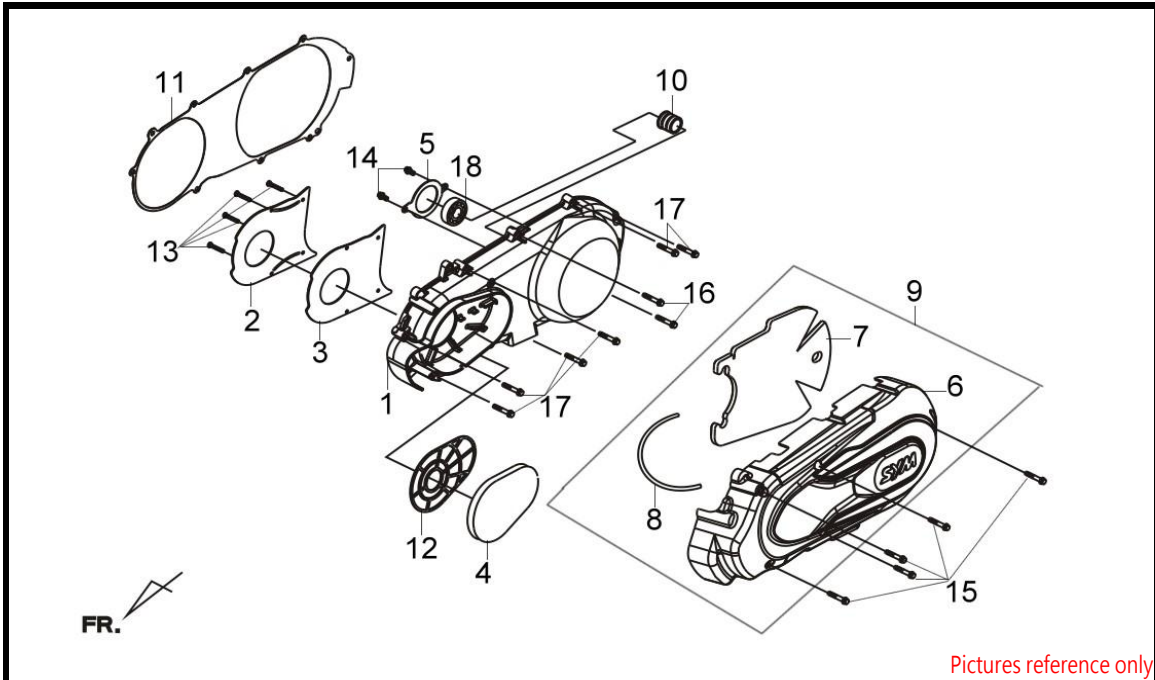
L. CRANK CASE COMP



Pictures reference only

NO	PARTS NUMBER	DESCRIPTION	QTY	EFFECTIVE DATE
1.0	11102-HMA-300	CRANK CASE BUSH 72MM	1	
2.0	11120-LEA-000	ENGINE HANGER BUSH ASSY	1	
3.0	11133-A1A-300	OIL ORIFICE 6X5	1	
4.0	11200-L2A-000	L. CRANK CASE COMP	1	
5.0	11203-GC7-300	RR. CUSH UND BUSH RUBBER	1	
6.0	11205-L3E-000	TUBE CLAMPER	2	
7.0	90032-HMA-000	CYLINDER STUD BOLT B	2	
8.0	90103-KN8-000	SPECIAL BOLT 8MM	1	
9.0	90474-M9Q-000	WASHER 8X16	1	
10.0	90481-M9Q-100	PLAIN WASHER 10.2MM	1	
11.0	92800-12000	DRAIN PLUG BOLT 12MM	1	
12.0	94109-12000	DRAIN PLUG WASHER 12MM	1	
13.0	94510-20000	EX. CIR CLIP 20MM	2	
14.0	95701-10012-08	FLANGE BOLT 10X12	1	
15.0	95801-08050-08	FLANGE BOLT 8*50	6	
16.0	96001-06012-07	FLANGE BOLT SH 6X12	2	
17.0	96001-06050-00	FLANGE BOLT SH 6X50	7	
18.0	96001-06070-00	FLANGE SH BOLT 6X70	2	

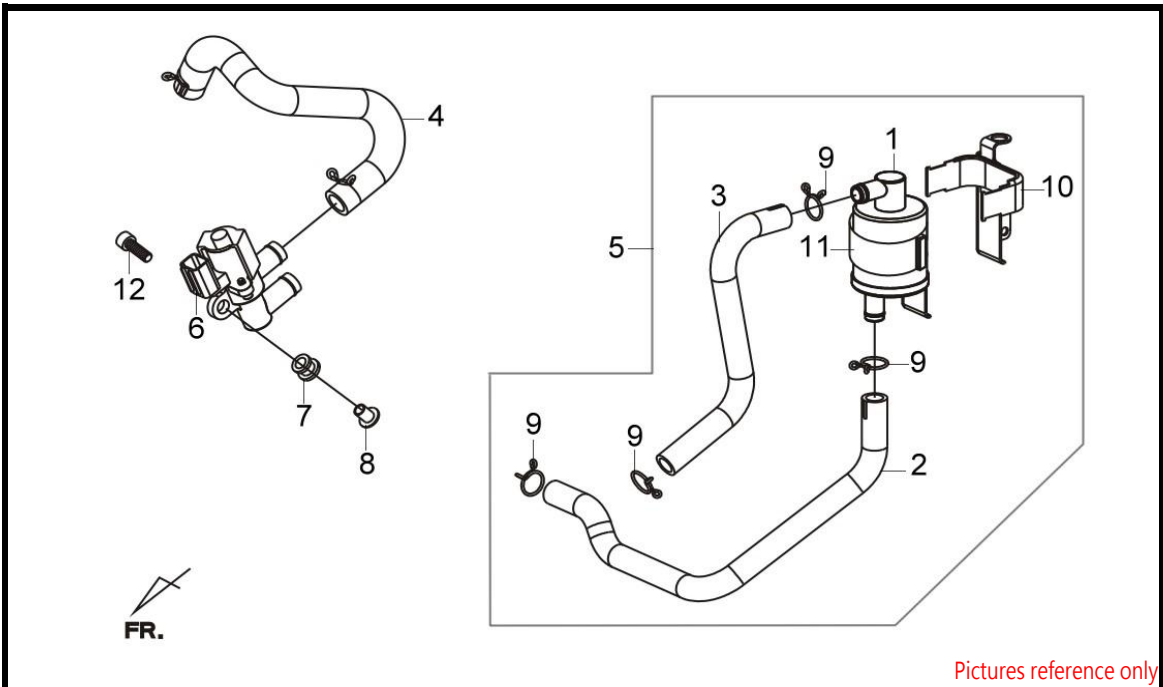
L. CRANK CASE COVER



NO	PARTS NUMBER	DESCRIPTION	QTY	EFFECTIVE DATE
1.0	11341-HMA-000	L. CASE COVER	1	
2.0	11342-HMA-000	L. CASE COVER PLATE	1	
3.0	11343-HMA-000	L. CASE COVER PLATE GASKET	1	
4.0	11344-HMA-000	L. SIDE CVOER ELEMENT	1	
5.0	11346-HMA-000	L. BEARING SETTING PLATE	1	
6.0	11351-HMA-000-GYK	L. OUTER COVER(GY-7450U/BK-001U)	1	
7.0	11352-HMA-000	L. OUTER COVER SPONGE	1	
8.0	11353-HMA-000	L. OUTER COVER SEAL	1	
9.0	1135A-HMA-000-GYK	L. OUTER COVER ASSY(GY-7450U/BK-001U)	1	
10.0	1137A-HMA-000	BERING STAY COLLAR ASSY	1	
11.0	11395-HMA-000	L. CRANK CASE COVER GASKET	1	
12.0	17221-LEA-000	TRAP COMP.	1	
13.0	93500-05012-0H	PAN SCREW 5X12	5	
14.0	96001-06012-00	FLANGE BOLT SH 6X12	2	
15.0	96001-06018-07	SH. FLANGE BOLT	5	
16.0	96001-06030-00	FLANGE BOLT SH 6X30	2	
17.0	96001-06035-00	FLANGE SH BOLT 6X35	6	
18.0	96150-60060-10	RADIAL BALL BEARING 6006LLU	1	

E19
A.I.S.V.ASSY

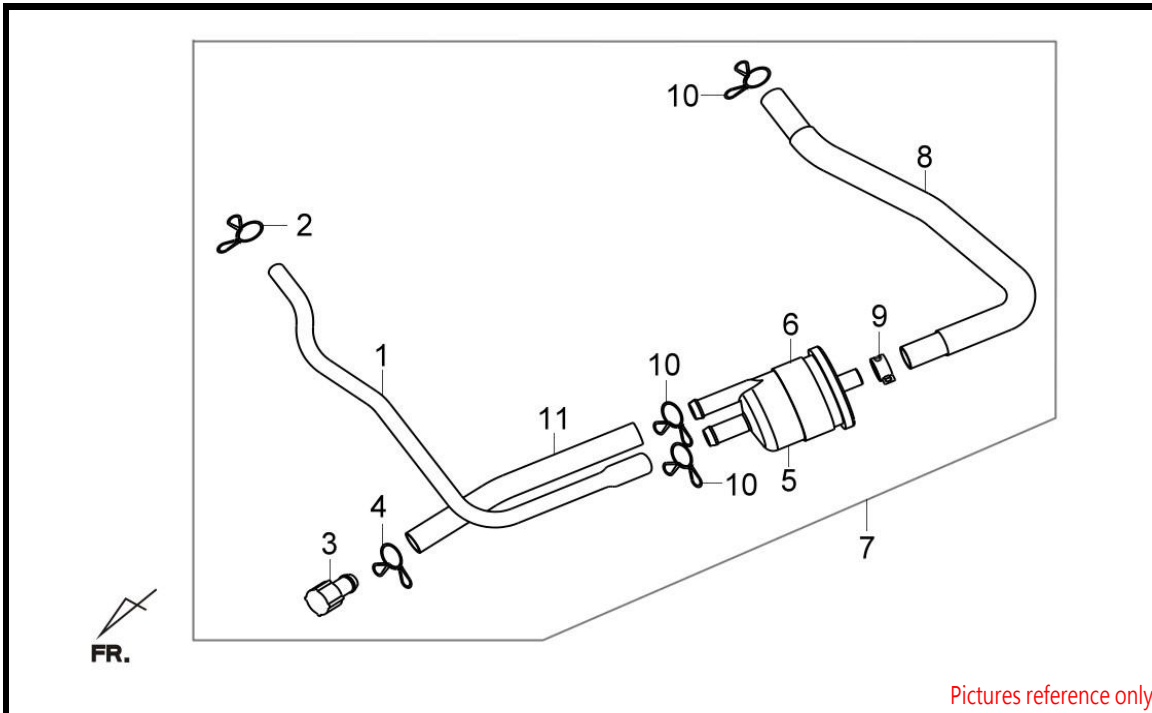
GTS 250I NEW



NO	PARTS NUMBER	DESCRIPTION	QTY	EFFECTIVE DATE
1.0	17570-HMC-000	A.I.A.C. COMP	1	
2.0	17571-L3A-000	A.I.A.C. TUBE A	1	
3.0	17574-L2A-000	A.I.C.V. TUBE B	1	
4.0	17576-L2A-010	A.I.S.V. REED VALVE JOINT	1	
5.0	1757A-L3A-000	A.I.A.C. ASSY	1	
6.0	17590-HMC-000	A.I.S.V. ASSY	1	
7.0	17591-HMC-000	A.I.S.V.RUBBER	1	
8.0	17592-HMC-000	A.I.S.V.COLLAR	1	
9.0	18533-M7Q-000	AIR HOSE CLIP 19	4	
10.0	18659-L2A-000	A.I.S.V STAY	1	
11.0	18811-N14-000	A.I.C.V. SETTING BAND	1	
12.0	93891-05016-07	WASHER SCREW 5X16	1	

E20
BREATHER CHAMBER

GTS 250I NEW

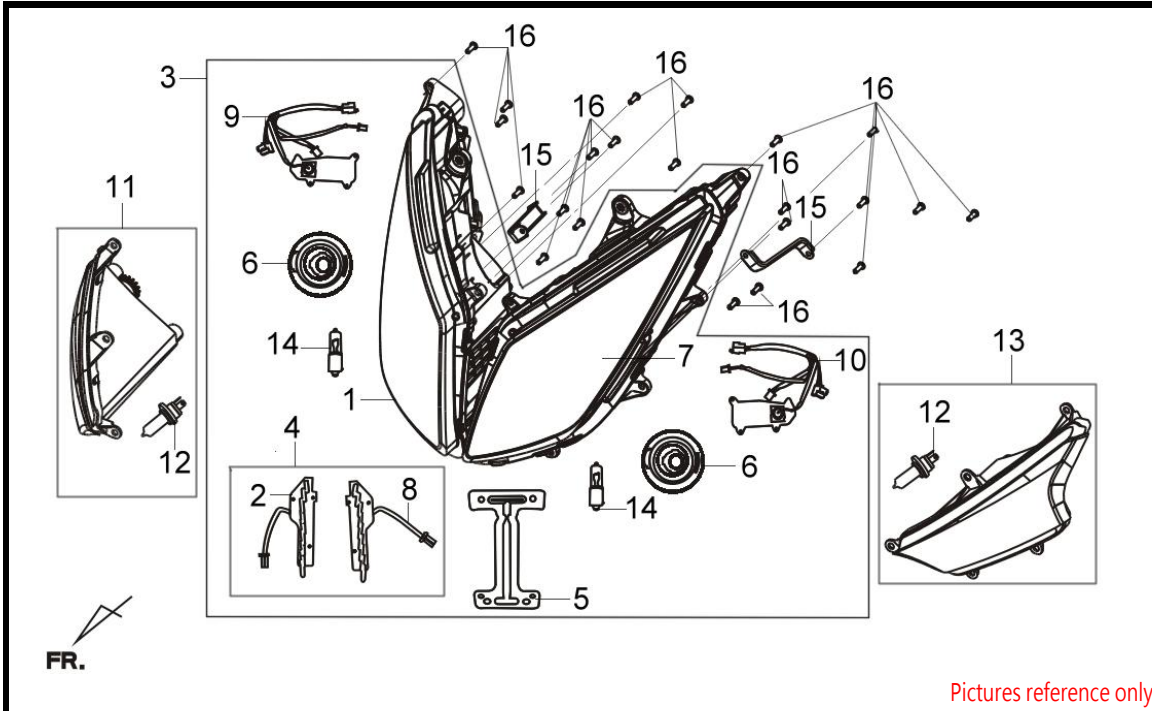


Pictures reference only

NO	PARTS NUMBER	DESCRIPTION	QTY	EFFECTIVE DATE
1.0	11211-L3A-000	BREATHER TUBE	1	
2.0	15772-500-013	BREATHER TUBE CLIP	1	
3.0	17370-M9Q-000	PLUG,BREATHER TUBE.	1	
4.0	17371-M9Q-000	BREATHER TUBE CLIP	1	
5.0	17380-H6A-000	BREATHER CHAMPER COMP	1	
6.0	17385-H6A-000	CHAMBER SETTING BAND	1	
7.0	1738A-L3A-000	BREATHER CHAMBER ASSY	1	
8.0	17562-L2A-000	P.C.V./A.C. TUBE	1	
9.0	90682-V02-900	TUBE CLAMPER D11.5	1	
10.0	95002-80000	TUBE CLIP C12	3	
11.0	95003-23022-60	V TUBE(8X12X220)	1	

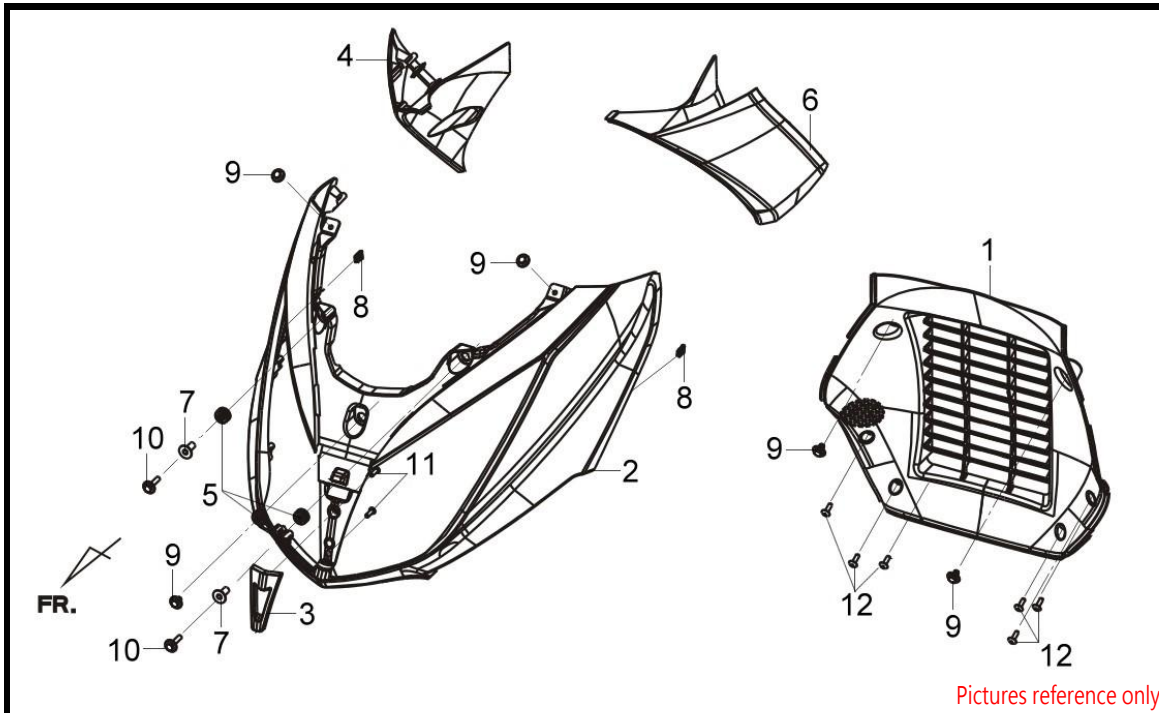
F01
HEAD LIGHT

GTS 250I NEW



Pictures reference only

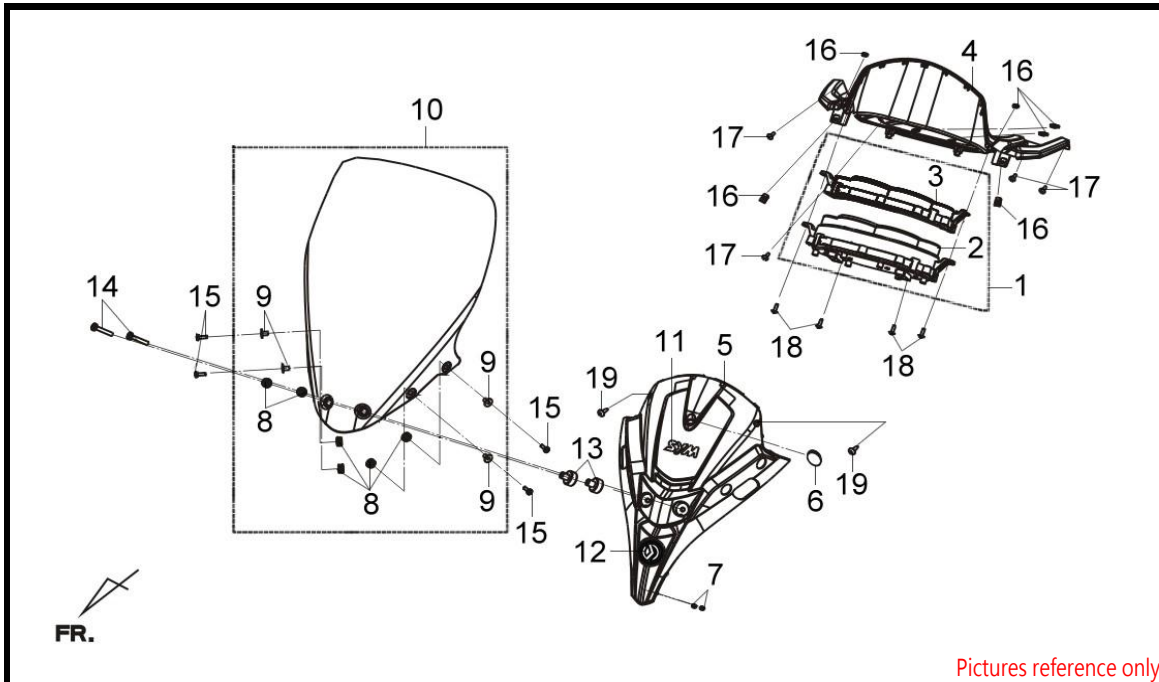
NO	PARTS NUMBER	DESCRIPTION	QTY	EFFECTIVE DATE
1.0	33102-L3A-004	R. HEAD LIGHT UNIT	1	
2.0	*33106-L3A-000	R HEAD LIGHT BASEPLATE ASSY	1	
3.0	3310A-L3A-004	HEAD LIGHT SET	1	
4.0	3311A-L3A-000	LED	1	
4.0	*3311A-L3A-001	LED	1	2014/06/03
5.0	33124-FFA-000	HEAD LIGHT BRKT	1	
6.0	33139-L3A-000	DUST COVER	2	
7.0	33152-L3A-004	L. HEAD LIGHT UNIT	1	
8.0	*33156-L3A-000	L HEAD LIGHT BASEPLATE ASSY	1	
9.0	33180-L3A-000	R. HEAD LIGHT SOCKET COMP	1	
10.0	33181-L3A-000	L. HEAD LIGHT SOCKET COMP	1	
11.0	33310-L3A-000	R. FR. FOGGY LAMP ASSY	1	
12.0	33315-L3A-000	FOGGY LAMP BULB(12V 21W)	2	
13.0	33320-L3A-000	L. FR. FOGGY LAMP ASSY	1	
14.0	34901-HE1-000	HEAD LIGHT BULB	2	
15.0	64308-L3A-000	FR. COVER BRKT	2	
16.0	93903-35320	TAPPING SCREW 5X16	22	



NO	PARTS NUMBER	DESCRIPTION	QTY	EFFECTIVE DATE
1.0	64300-L3A-001-IL	FR. UNDER SPOILER(GY-7450U)	1	2014/04/29
2.0	64301-L3A-000-KX	FR. COVER(BK-231S)	1	
2.0	64301-L3A-000-QU	FR COVER(WH-300P)	1	
2.0	64301-L3A-000-IL	FR COVER(GY-7450U)	1	2014/04/29
2.0	64301-L3A-000-IP	FR COVER(GY-517S)	1	2014/04/29
2.0	64301-L3A-000-OQ	FR COVER(S-7S)	1	2014/04/29
3.0	64303-L3A-000	FR. COVER EMBLEM (MRCR2)	1	
4.0	64304-L3A-000-KX	R. SIDE SPOILER(BK-231S)	1	
4.0	64304-L3A-000-QU	R. SIDE SPOILER(WH-300P)	1	
4.0	64304-L3A-000-IL	R. SIDE SPOILER(GY-7450U)	1	2014/04/29
4.0	64304-L3A-000-IP	R. SIDE SPOILER(GY-517S)	1	2014/04/29
4.0	64304-L3A-000-OQ	R. SIDE SPOILER(S-7S)	1	2014/04/29
5.0	64304-X01-000	FR. COVER RUBBER	3	
6.0	64305-L3A-000-KX	L. SIDE SPOILER(BK-231S)	1	
6.0	64305-L3A-000-QU	L. SIDE SPOILER(WH-300P)	1	
6.0	64305-L3A-000-IL	L. SIDE SPOILER(GY-7450U)	1	2014/04/29
6.0	64305-L3A-000-IP	L. SIDE SPOILER(GY-517S)	1	2014/04/29
6.0	64305-L3A-000-OQ	L. SIDE SPOILER(S-7S)	1	2014/04/29
7.0	64306-L3A-000	FR. COVER COLLAR	2	
8.0	90302-M92-000	SPRING NUT 4MM	2	
9.0	93404-06012-07	WASHER BOLT 6X12	5	
10.0	93404-06035-07	WASHER BOLT 6X35	2	
11.0	93903-34320	TAPPING SCREW 4X12	2	
12.0	93903-35380	TAPPING SCREW 5X16	6	

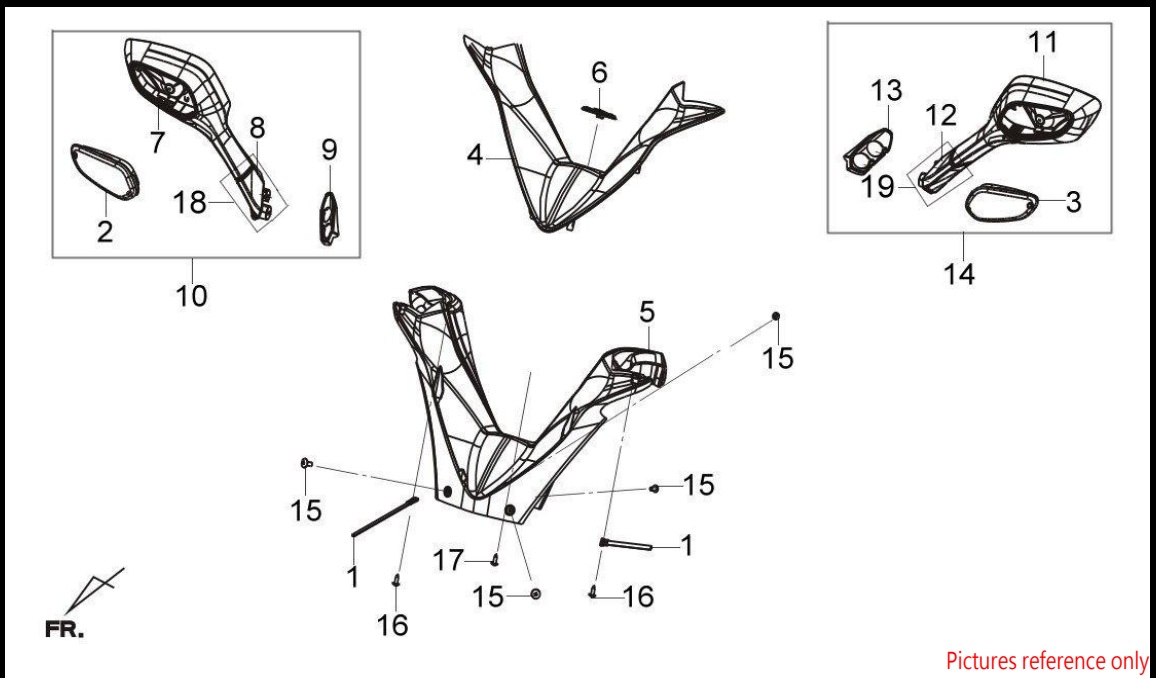
F03
METER & WIND SCREEN

GTS 250I NEW



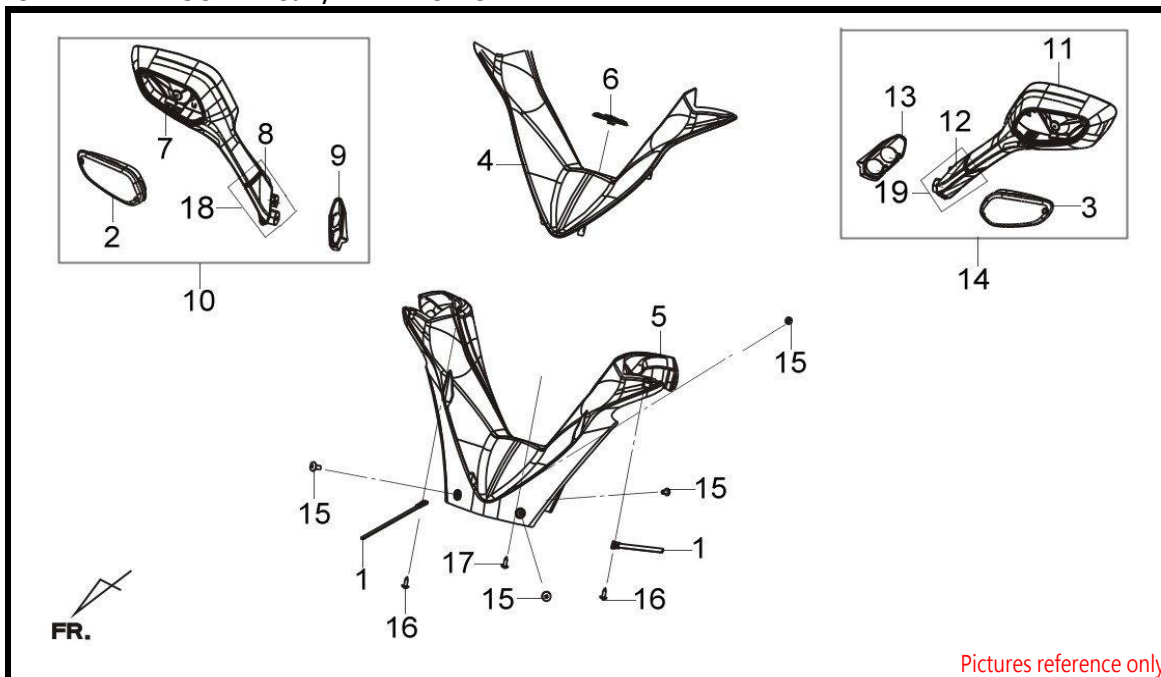
NO	PARTS NUMBER	DESCRIPTION	QTY	EFFECTIVE DATE
1.0	37200-L3R-000	METER ASSY	1	
2.0	37211-L3A-000	METER LENS	1	
3.0	37215-L3A-000	METER INNER CASE LENS	1	
4.0	53208-L3A-000-KA	METER PANEL(BK-001U)	1	2014/04/29
5.0	5320G-L3A-000-IL	METER VISOR SUB ASSY(GY-7450U)	1	2014/04/29
6.0	53216-L1A-000	AUTO LIGHT SENSOR CAP	1	
7.0	61312-149-300	HEAD LIGHT BRKT.BOOT	2	
8.0	64304-X01-000	FR. COVER RUBBER	6	
9.0	67101-L3A-000	WIND SCREEN COLLAR	4	
10.0	6710A-L3A-000-IL	WIND SCREEN SET(GY-7450U)	1	2014/04/29
11.0	83521-L4C-000	SYM MARK	1	2014/04/29
12.0	87553-L4A-000	S LOGO EMBLEM	1	2014/04/29
13.0	90112-L3A-000	SPECIAL COLLAR	2	
14.0	90116-L2A-000	SPECIAL BOLT 6MM	2	
15.0	90116-L3A-000	SPECIAL BOLT 6MM	4	
16.0	90308-X04-000	SPECIAL NUT 5MM	6	
17.0	93903-35280	TAPPING SCREW 5X12	4	
18.0	93903-35320	TAPPING SCREW 5X16	4	
19.0	93903-45280	TAPPING SCREW 5X12	2	

UP HANDLE COVER & R/L MIRROR SET



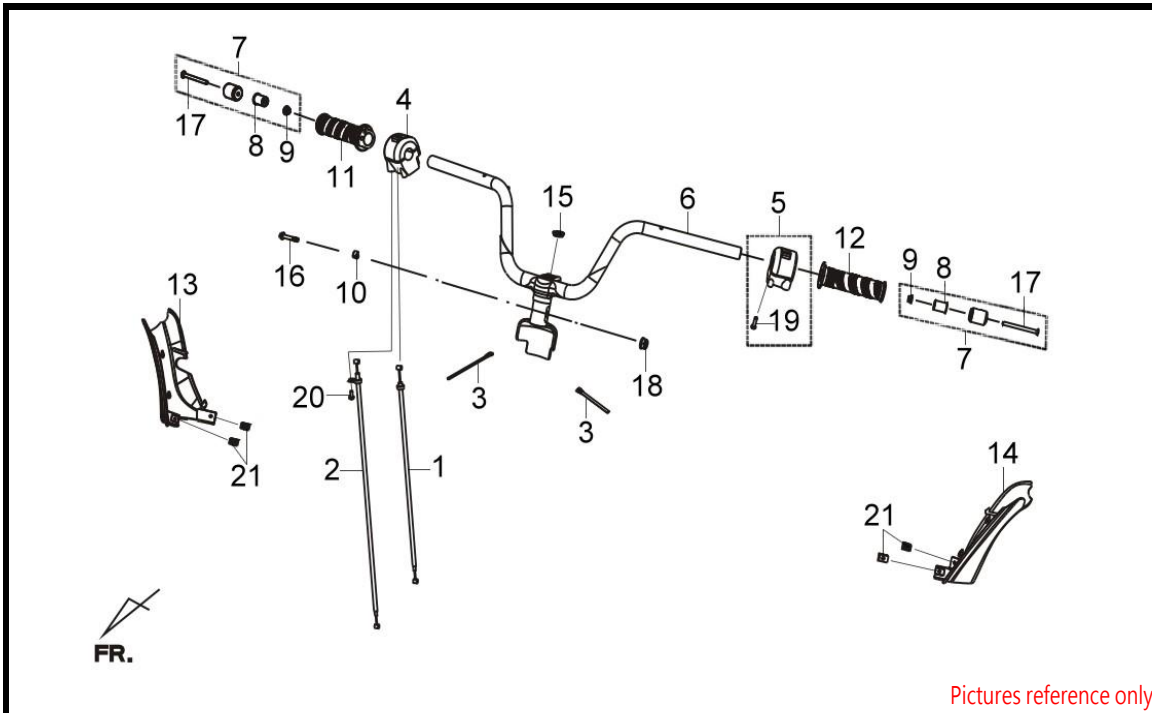
NO	PARTS NUMBER	DESCRIPTION	QTY	EFFECTIVE DATE
1.0	32160-A3A-900	WIRE BAND 200X8	2	
2.0	33400-L3A-000	R. FR. WINKER LAMP ASSY	1	
3.0	33450-L3A-000	L. FR. WINKER LAMP ASSY	1	
4.0	53204-L3A-000-KX	UP HANDLE COVER A(BK-231S)	1	
4.0	53204-L3A-000-QU	UP HANDLE COVER A(WH-300P)	1	
4.0	53204-L3A-000-IL	UP HANDLE COVER A(GY-7450U)	1	2014/04/29
4.0	53204-L3A-000-IP	UP HANDLE COVER A(GY-517S)	1	2014/04/29
4.0	53204-L3A-000-OQ	UP HANDLE COVER A(S-7S)	1	2014/04/29
5.0	53205-L3A-000-KA	UP HANDLE COVER B(BK-001U)	1	2014/04/29
6.0	87553-VS1-100	FR.COVER LID EMBLEM	1	
7.0	88110-L3A-008-KX	R. BACK MIRROR COMP-WITHOUT WINKER(BK-23	1	
7.0	88110-L3A-008-QU	R. BACK MIRROR COMP-WITHOUT WINKER(WH-30	1	
7.0	88110-L3A-008-IL	R. BACK MIRROR COMP-WITHOUT WINKER(GY-74	1	2014/04/29
7.0	88110-L3A-008-IP	R. BACK MIRROR COMP-WITHOUT WINKER(GY-51	1	2014/04/29
7.0	88110-L3A-008-OQ	R. BACK MIRROR COMP-WITHOUT WINKER(S-7S)	1	2014/04/29
8.0	88111-L3A-000	R. BASE COVER	1	
9.0	88112-L3A-000	R. PAD	1	
10.0	8811A-L3A-007-KX	R. BACK MIRROR SET(BK-231S)	1	
10.0	8811A-L3A-007-QU	R. BACK MIRROR SET(WH-300P)	1	
10.0	8811A-L3A-007-IL	R. BACK MIRROR SET(GY-7450U)	1	2014/04/29
10.0	8811A-L3A-007-IP	R. BACK MIRROR SET(GY-517S)	1	2014/04/29
10.0	8811A-L3A-007-OQ	R. BACK MIRROR SET(S-7S)	1	2014/04/29
11.0	88120-L3A-008-KX	L. BACK MIRROR COMP-WITHOUT WINKER(BK-23	1	
11.0	88120-L3A-008-QU	L. BACK MIRROR COMP-WITHOUT WINKER(WH-30	1	
11.0	88120-L3A-008-IL	L. BACK MIRROR COMP-WITHOUT WINKER(GY-74	1	2014/04/29

UP HANDLE COVER & R/L MIRROR SET



NO	PARTS NUMBER	DESCRIPTION	QTY	EFFECTIVE DATE
11.0	88120-L3A-008-IP	L. BACK MIRROR COMP-WITHOUT WINKER(GY-51	1	2014/04/29
11.0	88120-L3A-008-OQ	L. BACK MIRROR COMP-WITHOUT WINKER(S-7S)	1	2014/04/29
12.0	88121-L3A-000	L. BASE COVER	1	
13.0	88122-L3A-000	L. PAD	1	
14.0	8812A-L3A-007-KX	L. BACK MIRROR SET(BK-231S)	1	
14.0	8812A-L3A-007-QU	L. BACK MIRROR SET(WH-300P)	1	
14.0	8812A-L3A-007-IL	L. BACK MIRROR SET(GY-7450U)	1	2014/04/29
14.0	8812A-L3A-007-IP	L. BACK MIRROR SET(GY-517S)	1	2014/04/29
14.0	8812A-L3A-007-OQ	L. BACK MIRROR SET(S-7S)	1	2014/04/29
15.0	90302-M92-000	SPRING NUT 4MM	4	
16.0	93903-34320	TAPPING SCREW 4X12	2	
17.0	93903-35120	TAPPING SCREW 5*10	1	
18.0	88116-L3A-000	R. BACK MIRROR BASE	1	2013/10/03
19.0	88126-L3A-000	L. BACK MIRROR BASE	1	2013/10/03

STRG. HANDLE COMP

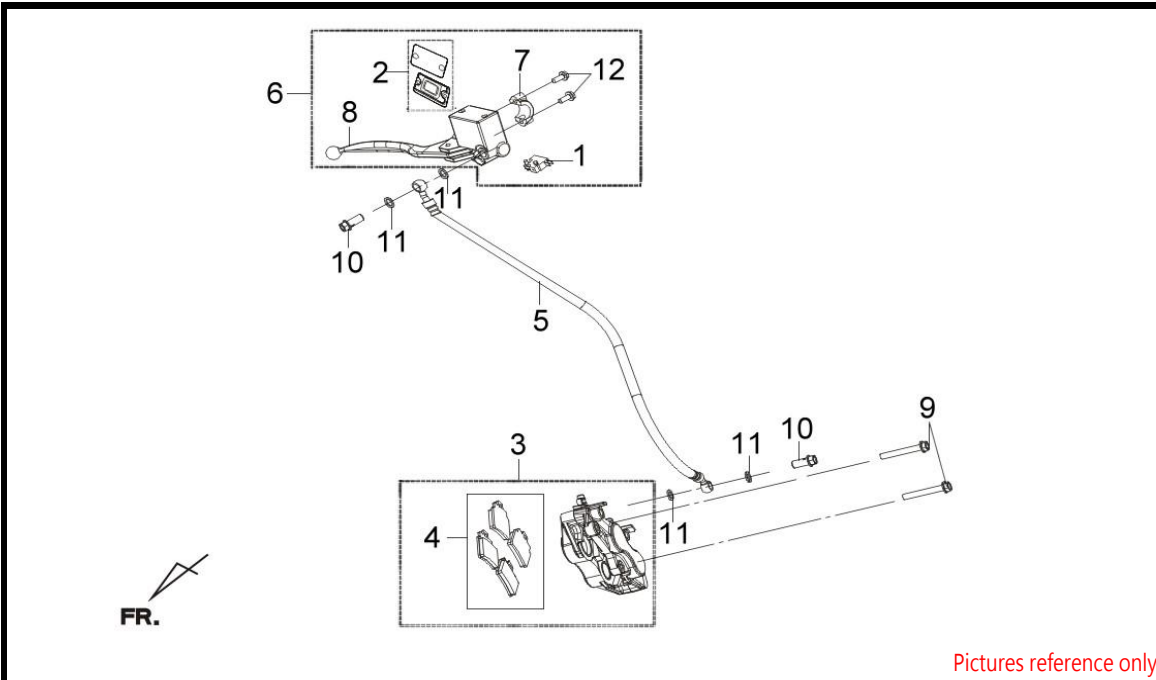


Pictures reference only

NO	PARTS NUMBER	DESCRIPTION	QTY	EFFECTIVE DATE
1.0	17910-L3A-000	THROT. CABLE COMP A	1	
2.0	17920-L3A-000	THROT. CABLE COMP B	1	
3.0	32160-A3A-900	WIRE BAND 200X8	2	
4.0	35150-HM1-000	R HANDLE SW ASSY	1	
5.0	35200-HNL-000	L. HANDLE SW. ASSY	1	
6.0	53100-L3A-000	STRG. HANDLE COMP	1	
7.0	53104-N02-000	HANDLE PIPE WT. ASSY.	2	
8.0	53106-N02-000	HANDLE WEIGHT RUBBER	2	
9.0	53108-N02-000	SPECIAL NUT 6MM	2	
10.0	53125-M9Q-000	HANDLE SET COLLAR	1	
11.0	53140-L4A-000	THROT GRIP COMP BK-001U	1	2014/04/29
12.0	53166-L4A-000	L HANDLE GRIP BK-001U	1	2014/04/29
13.0	53206-HMA-900	R HANDLE COVER	1	
14.0	53207-HMA-900	L. HANDLE COVER	1	
15.0	61105-RCA-000	FR.FENDER GROMMET	1	
16.0	90106-M9Q-000	FLANGE BOLT 10X50	1	
17.0	90118-N02-000	HNDL. WT. BOLT	2	
18.0	90304-M9Q-800	FLANGE U NUT 10MM	1	
19.0	93500-05025-0G	PAN SCREW 5*25	1	
20.0	93891-05012-07	WASHER SCREW 5X12	1	
21.0	93903-24380	TAPPING SCREW 4X12	4	

F06
FR. BRAKE

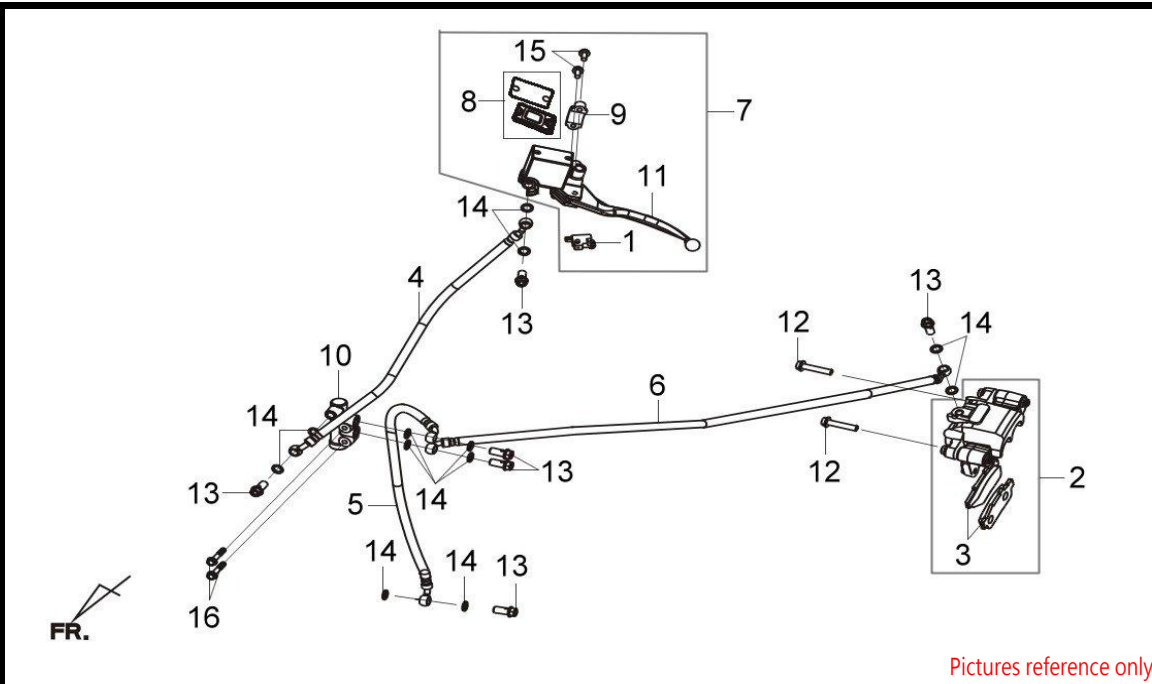
GTS 250I NEW



NO	PARTS NUMBER	DESCRIPTION	QTY	EFFECTIVE DATE
1.0	35340-KBN-900	FR. STOP SW. ASSY(R)	1	2014/04/29
2.0	43502-HMA-000	FF./FR. BRAKE M/C LID	1	
3.0	45100-HMA-000	FR.CALIPER ASSY S-877C	1	
4.0	45105-HMA-000-A	FR. BRAKE PAD SET(4PCS/1SET)(NON-ASBESTO	1	
5.0	45126-L3A-000	FR. BRAKE HOSE	1	
6.0	45500-L3A-000	FR. M/C ASSY	1	
7.0	45517-TFA-000	M/C HOLDER	1	
8.0	53175-HMA-000	R.HANDLE LEVER	1	
9.0	90104-H5K-000	FLANGE BOLT 8X40	2	
10.0	90145-M9Q-000	OIL BOLT 10X22	2	
11.0	90545-M9Q-000	OIL BOLT WASHER	4	
12.0	95801-06022-07	FLANGE BOLT 6X22	2	

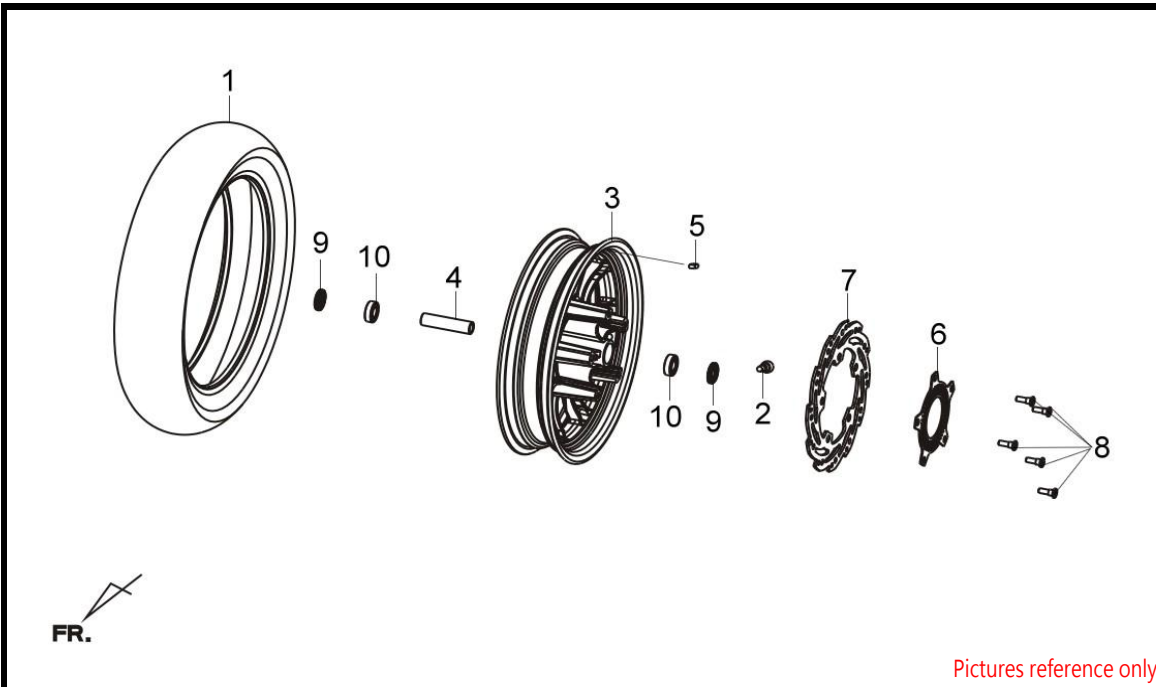
F07
RR. BRAKE

GTS 250I NEW



Pictures reference only

NO	PARTS NUMBER	DESCRIPTION	QTY	EFFECTIVE DATE
1.0	35350-KBN-900	RR. STOP SWITCH ASSY(L)	1	
2.0	43100-L3A-000-SH	RR.CALIPER ASSY.(S-877C)	1	2014/04/29
3.0	43108-L3A-000-A	RR. BRAKE PAD SET(2PCS/1SET)	1	
4.0	43311-L3A-000	RR BRAKE HOSE A	1	
5.0	43312-L3A-000	RR. BRAKE HOSE B	1	
6.0	43313-L3A-000	RR. BRAKE HOSE C	1	
7.0	43500-L3A-000	RR. M/C ASSY	1	
8.0	43502-HMA-000	FF./FR. BRAKE M/C LID	1	
9.0	45517-TFA-000	M/C HOLDER	1	
10.0	46300-HMA-000	DELAY VALVE ASSY	1	
11.0	53178-HMA-000	L.HANDLE LEVER	1	
12.0	90104-L2A-000	FLANGE BOLT 8*57	2	
13.0	90145-M9Q-000	OIL BOLT 10X22	6	
14.0	90545-M9Q-000	OIL BOLT WASHER	12	
15.0	95801-06022-07	FLANGE BOLT 6X22	2	
16.0	95801-06035-07	FLANGE BOLT	2	



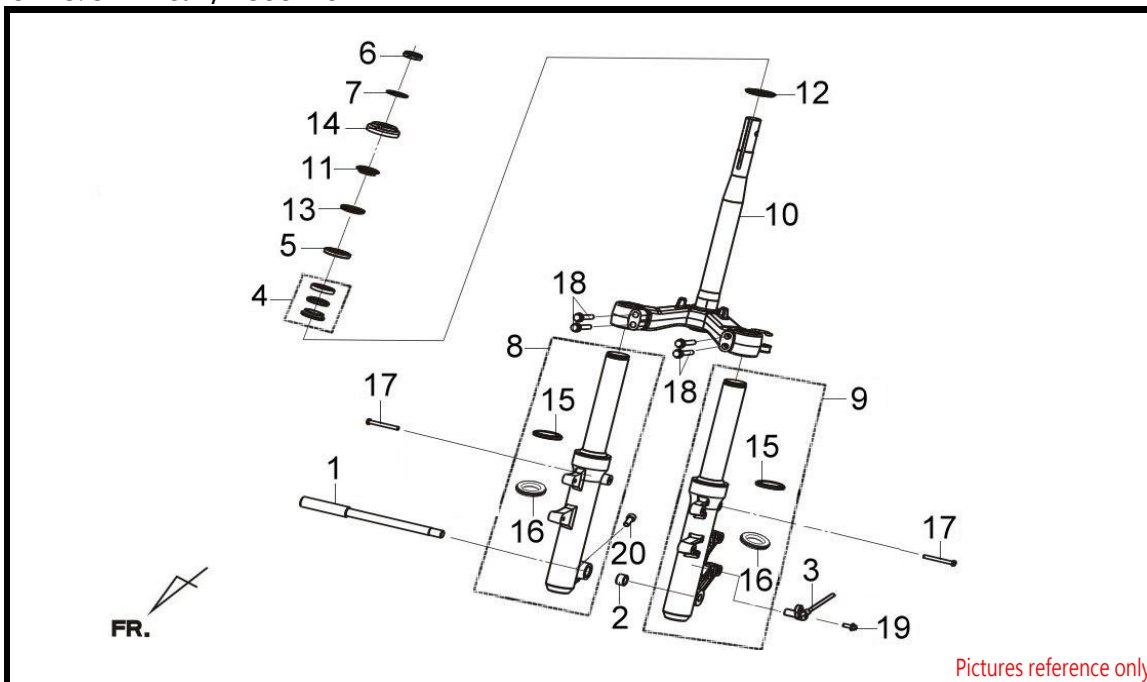
Pictures reference only

NO	PARTS NUMBER	DESCRIPTION	QTY	EFFECTIVE DATE
1.0	1T011207014-MAPRO	FR. TIRE 120/70-14 55P	1	
2.0	42753-KJ9-000	VALVE RIM (PVR-70B)	1	
3.0	44601-L3A-000	FR. CAST WHEEL COMP(BK-001C)	1	2014/04/29
4.0	44620-L3A-000	FR. AXLE DIST COLLAR	1	
5.0	44720-H9A-000	BALANCE WEIGHT	1	
6.0	45120-L3A-000	ABS DETECTIVE DISK	1	
7.0	45121-L3A-900	FR. BRAKE DISK(S-421S)	1	
8.0	90105-L3A-000	FR. DISK BOLT 8*24	5	
9.0	90754-LEA-000	DUST SEAL 20X35X5.0	2	
10.0	90912-LEA-000	BEARING 6202(LLU)	2	

F09

GTS 250I NEW

STRG. STEM & R/L CUSHION

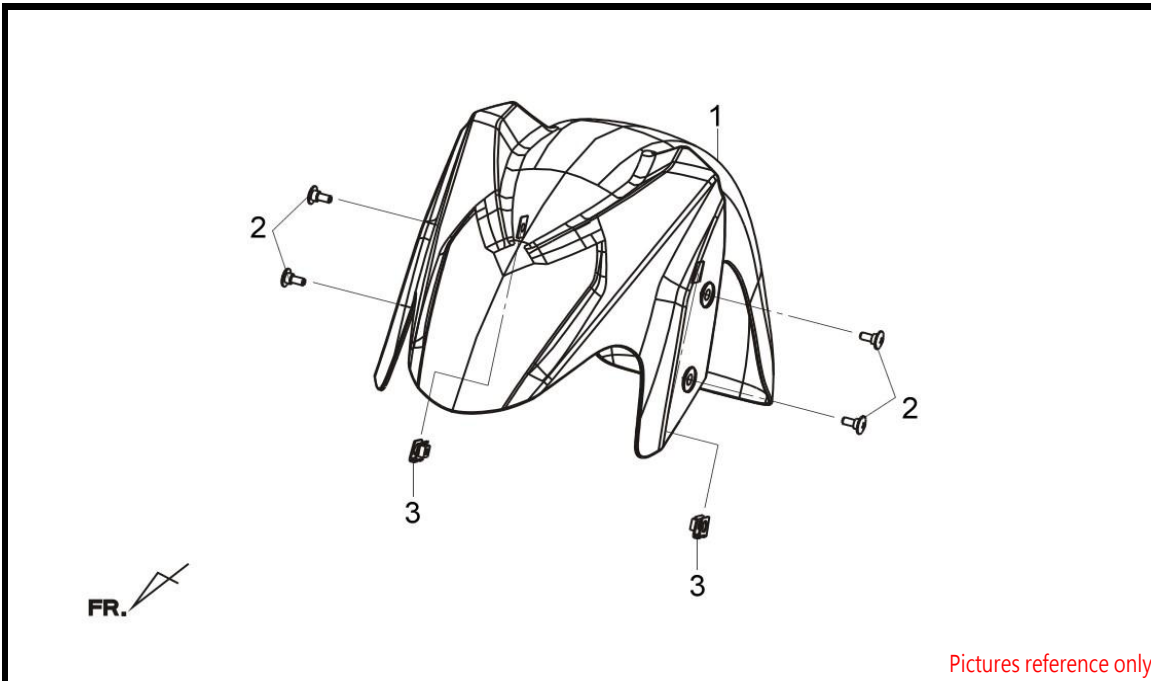


NO	PARTS NUMBER	DESCRIPTION	QTY	EFFECTIVE DATE
1.0	44301-L3A-000	FR. WHEEL AXLE	1	
2.0	44311-L3A-000	FR. WHEEL SIDE COLLAR	1	
3.0	44800-L3A-000	SPEED SENSOR	1	
4.0	50300-L4A-000	BALL RACE SET	1	
5.0	50301-HMA-000	RACE UP STRG BALL	1	
6.0	50306-M9Q-000 / 50306-VS1-000	STRG. STEM LOCK NUT(MZ→SY)	1	
7.0	50308-HMA-000	STRG STEM WASHER	1	
8.0	51400-L3A-000	R. CUSHION ASSY	1	2014/04/29
9.0	51500-L3A-000	L. CUSHION ASSY	1	2014/04/29
10.0	53200-L3A-000	STRG. STEM COMP	1	
11.0	53211-HMA-000 / 53211-M9Q-000	STRG. UP CONE RACE	1	
12.0	53214-L4A-000	STRG.DUST SEAL	1	
13.0	53215-HMA-000	STEEL BALL UP ASSY.	1	
14.0	53220-HMA-000	STEERING HEAD TOP THREAD COMP	1	
15.0	91255-L3A-000 / 91255-BAA-000	FR. CUSHION OIL SEAL	2	
16.0	91256-L3A-000	DUST SEAL	2	
17.0	93891-06050-07	WASHER SCREW 6X45	2	
18.0	95801-10040-08	FLANGE BOLT 10X40	4	
19.0	96001-06012-00	FLANGE BOLT SH 6X12	1	
20.0	96700-08020-00	SOCKET BOLT 8X20	1	

●Please check the color & stripe information according to the color index !

F10
FR. FENDER

GTS 250I NEW

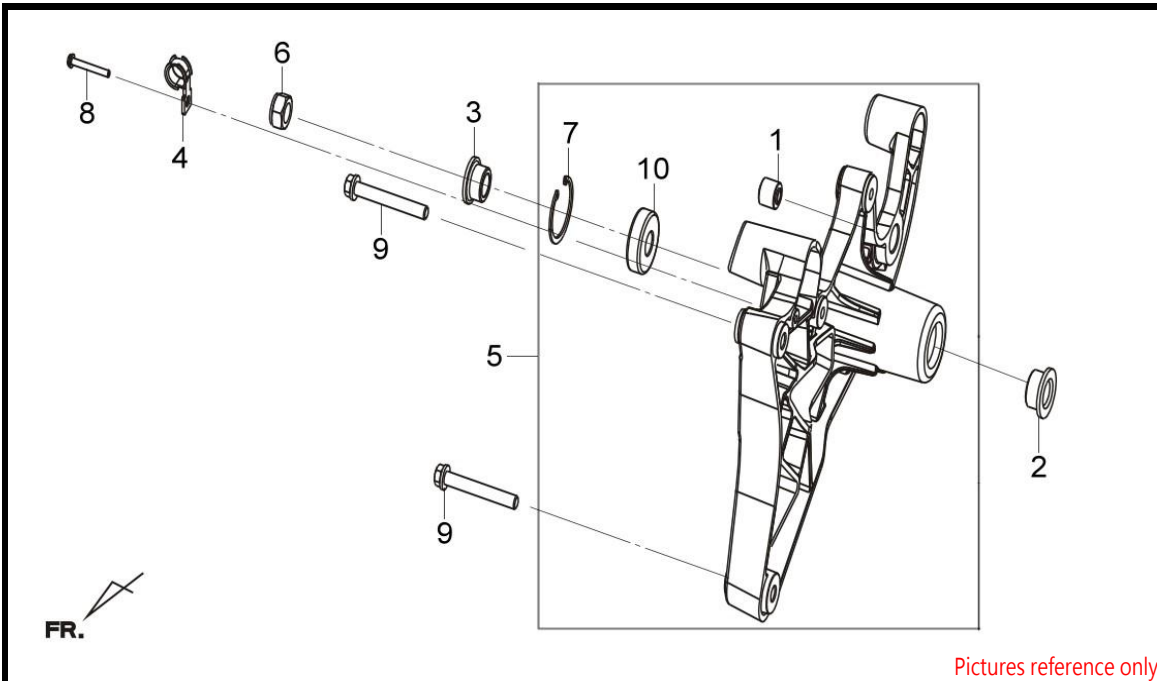


Pictures reference only

NO	PARTS NUMBER	DESCRIPTION	QTY	EFFECTIVE DATE
1.0	61100-L3A-000-KX2	FR. FENDER(BK-231S/GY-7450U)	1	
1.0	61100-L3A-000-QU1	FR. FENDER(WH-300P/GY-7450U)	1	
1.0	61100-L3A-000-IL5	FR. FENDER(GY-7450U)	1	2014/04/29
1.0	61100-L3A-000-IP4	FR. FENDER(GY-517S/GY-7450U)	1	2014/04/29
1.0	61100-L3A-000-OQ3	FR. FENDER(S-7S/GY-7450U)	1	2014/04/29
2.0	90164-M9Q-000	SCREW SPECIAL 6mm	4	
3.0	90305-M9Q-900	U NUT 16 MM	2	

F11
RR. FORK ASSY

GTS 250I NEW

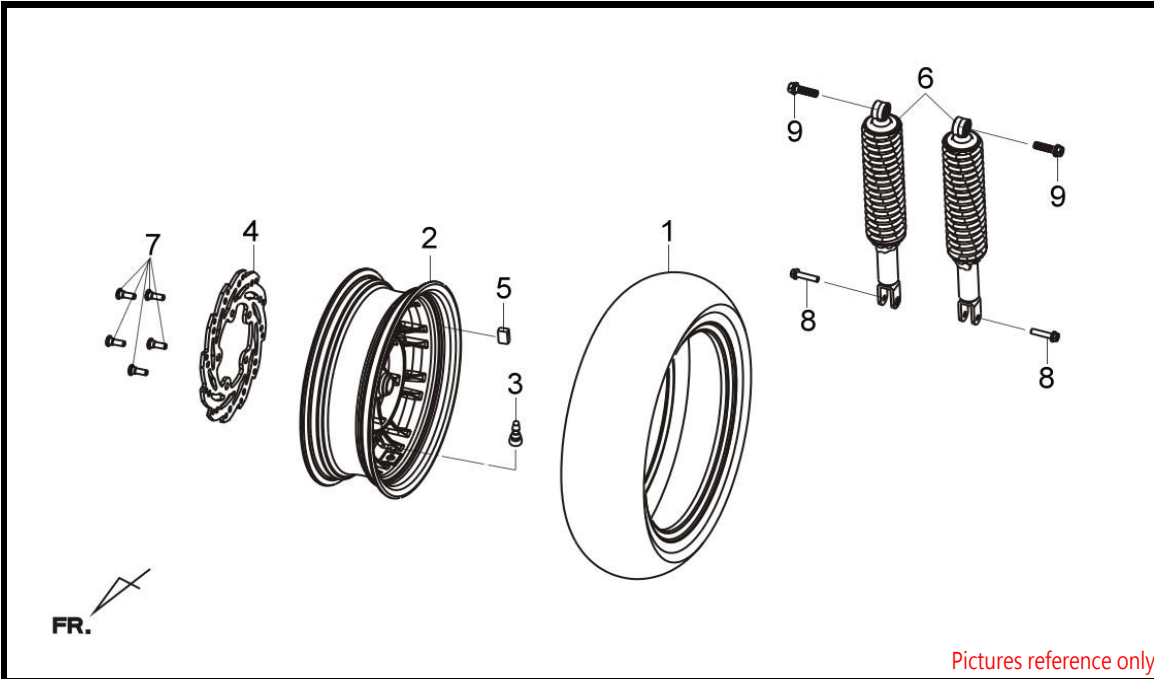


NO	PARTS NUMBER	DESCRIPTION	QTY	EFFECTIVE DATE
1.0	11203-GC7-300	RR. CUSH UND BUSH RUBBER	1	
2.0	42311-H9A-000	RR. AXLE COLLAR	1	
3.0	42311-H9A-900	RR. AXLE COLLAR	1	
4.0	45156-HMA-000	BRAKE HOSE CLAMP	1	
5.0	5210A-L3A-000-IL	RR. FORK ASSY(GY-7450U)	1	2014/04/29
6.0	90305-M9Q-900	U NUT 16 MM	1	
7.0	94524-47000	CIR CLIP IN47	1	
8.0	95801-06012-08	FLANGE BOLT 6X12	1	
9.0	95801-10075-07	FLANGE BOLT	2	
10.0	96150-63033-10	RADIAL BALL BEARING 6303U	1	

F12

GTS 250I NEW

R. WHEEL & RR. CUSHION

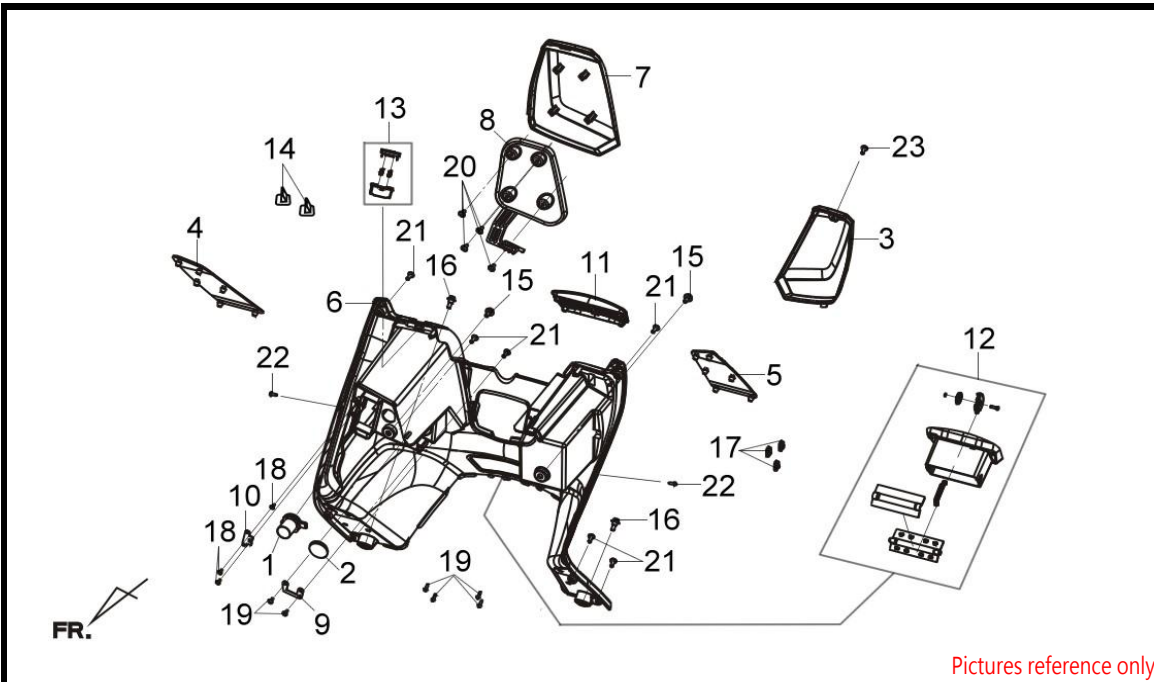


Pictures reference only

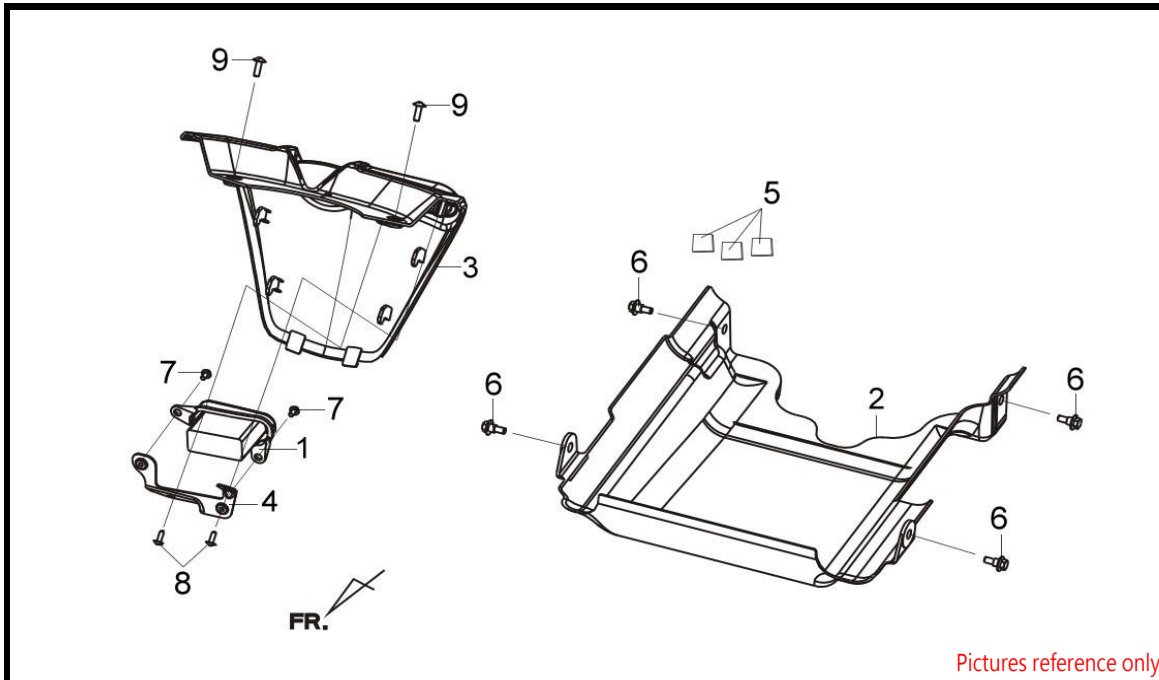
NO	PARTS NUMBER	DESCRIPTION	QTY	EFFECTIVE DATE
1.0	1T011406013-MAPRO	RR. TIRE 140/60-13 63P	1	
2.0	42601-L3A-000-KB	RR. CAST WHEEL COMP(BK-001C)	1	2014/04/29
3.0	42753-KJ9-000	VALVE RIM (PVR-70B)	1	
4.0	43121-L3A-900	RR. BRAKE DISK(S-421S)	1	
5.0	44720-H9A-000	BALANCE WEIGHT	1	
6.0	52400-L3A-000-KB	RR. CUSHION ASSY(BK-001C)	2	2014/04/29
7.0	90105-KR3-000	FR. DISK BOLT 8X24	5	
8.0	95801-08035-07	FLANGE BOLT M8X35	2	
9.0	95801-10040-08	FLANGE BOLT 10X40	2	

F13
INNER BOX

GTS 250I NEW



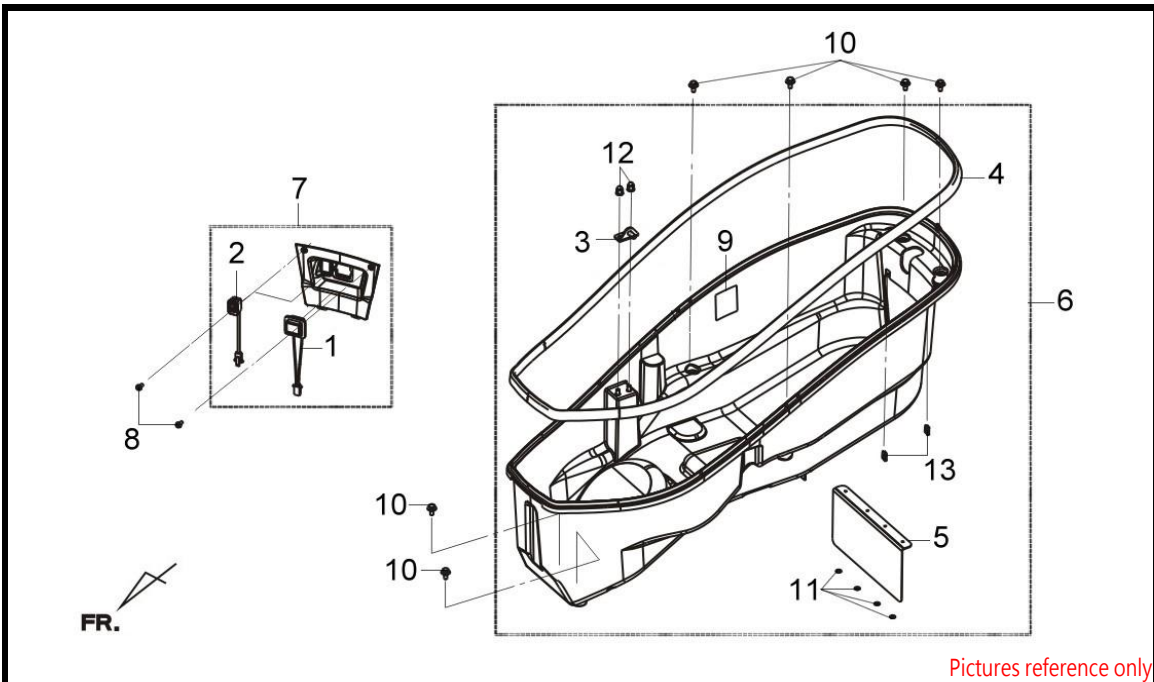
NO	PARTS NUMBER	DESCRIPTION	QTY	EFFECTIVE DATE
1.0	38600-L4A-000	DC. POWER OUTLET ASSY	1	
2.0	40545-L1G-000	INNER BOX USB HOLE CAP	1	
3.0	50326-L3A-000-IL	BATTERY COVER(GY-7450U)	1	2014/04/29
4.0	64323-L3A-000-KA	R. FLOOR MAT B(BK-001U)	1	2014/04/29
5.0	64324-L3A-000-KA	L. FLOOR MAT B(BK-001U)	1	2014/04/29
6.0	81131-L3A-000-KA	INNER BOX(BK-001U)	1	2014/04/29
7.0	81141-L3A-000-IL	INNER BOX LID(GY-7450U)	1	2014/04/29
8.0	81142-L3A-000	INNER BOX LID STIFFENER	1	
9.0	81143-L3A-000	INNER BOX LID HINGE STAY	1	
10.0	81149-L4A-000	FUSE BOX STAY	1	
11.0	81152-L3A-000-KA	AIR DUCT COVER(BK-001U)	1	2014/04/29
12.0	8115A-L3A-000	AIR DUCT ASSY	1	
13.0	8116A-L3A-000	COIN BOX LOCK ASSY	1	
14.0	83619-L2A-000	COIN BOX RUBBER	2	
15.0	90111-HKD-000	BOLT FLANGE 6MM	2	
16.0	90111-M9Q-900	FLANGE BOLT(MFZn2-C)6MM	2	
17.0	90308-X04-000	SPECIAL NUT 5MM	3	
18.0	93903-34320	TAPPING SCREW 4X12	3	
19.0	93903-34380	TAPPING SCREW 4X12	6	
20.0	93903-35280	TAPPING SCREW 5X12	4	
21.0	93903-35380	TAPPING SCREW 5X16	6	
22.0	93903-44380	TAPPING SCREW 4X12	2	
23.0	93903-45280	TAPPING SCREW 5X12	1	



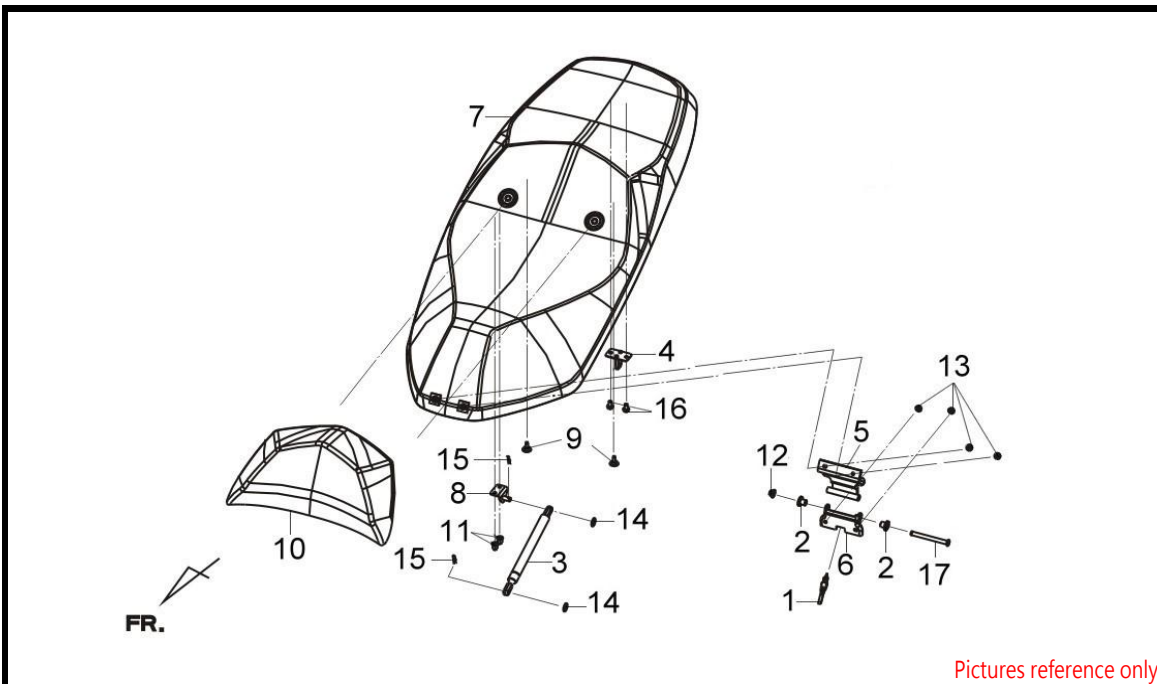
NO	PARTS NUMBER	DESCRIPTION	QTY	EFFECTIVE DATE
1.0	35360-L3A-000	HAZARD & FOGGY SW COMP	1	
2.0	50611-HMA-000	UNDER COVER(BK-001U)	1	
3.0	81132-L3A-000-KA	MAIN SW. COVER(BK-001U)	1	2014/04/29
4.0	81134-L3A-000	HAZARD SW. STAY	1	
5.0	83619-L3F-000	CUSHION RUBBER	3	
6.0	90111-M9Q-800	FLANGE BOLT 6MM	4	
7.0	93891-04008-08	SCREW WASHER 4X8	2	
8.0	93903-34320	TAPPING SCREW 4X12	2	
9.0	93903-45280	TAPPING SCREW 5X12	2	

F15
LUGGAGE BOX ASSY

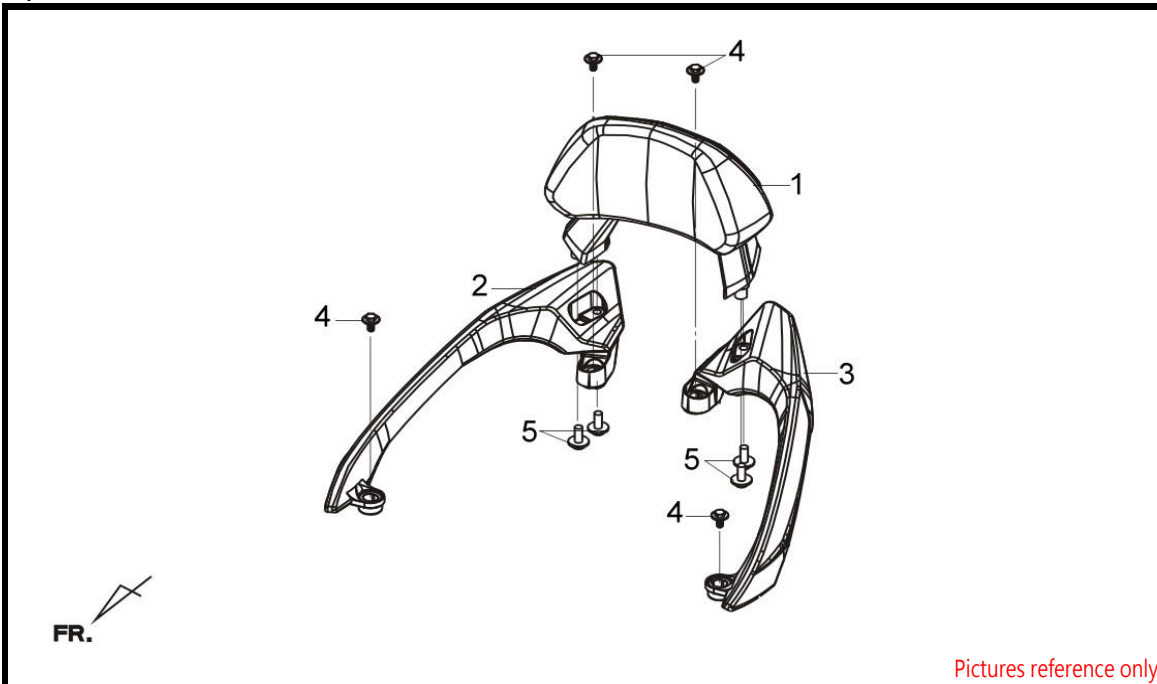
GTS 250I NEW



NO	PARTS NUMBER	DESCRIPTION	QTY	EFFECTIVE DATE
1.0	35370-M9P-000	LUGGAGE BOX LIGHT ASSY	1	
2.0	36600-A1A-200	ENG. START CONTROL SW	1	
3.0	74481-HMA-100	SEAT OPEN STAY BRKT.	1	
4.0	77115-L3A-000	LUGGAGE BOX RRUBBER	1	
5.0	80104-HMA-000	SPLASH GUARD PLATE	1	
6.0	8125A-L3A-010-KA	LUGGAGE BOX ASSY(BK-001U)	1	2014/04/29
7.0	8125B-L3A-000	LUG BOX RR COVER ASSY.	1	
8.0	83650-L3A-000	SPECIAL BOLT 5MM	2	
9.0	87505-L3A-000	TIRE CAUTION MARK	1	
10.0	90111-M9Q-800	FLANGE BOLT 6MM	6	
11.0	90301-GE0-000	CLIP NUT	4	
12.0	90304-M9Q-900	HEX CAP NUT 6MM	2	
13.0	90677-GR1-003	CLIP NUT 5X0.8	2	



NO	PARTS NUMBER	DESCRIPTION	QTY	EFFECTIVE DATE
1.0	35345-L3A-000	SEAT OPEN LAMP SW	1	
2.0	50757-L3A-000	SEAT HINGE OILES	2	
3.0	74480-L3A-000	OPEN STAY	1	
4.0	77101-L3A-000	SEAT LOCK BAR	1	
5.0	77111-L3A-000	SEAT HINGE STAY A	1	
6.0	77112-L3A-000	SEAT HINGE STAY B	1	
7.0	77200-L3A-000	DOUBLE SEAT ASSY	1	
8.0	77202-HMA-100	OPEN STAY BRKT A	1	
9.0	77203-HMA-900	BACK SEAT SET BOLT 5mm	2	
10.0	77300-L3A-000	BACK SEAT ASSY	1	
11.0	90304-M9Q-900	HEX CAP NUT 6MM	2	
12.0	90306-BAA-000	U NUT 6MM	1	
13.0	94050-06080	FLANGE NUT 6MM	4	
14.0	94101-08800	PLAIN WASHER 8MM	2	
15.0	94251-08400	LOCK PIN 8MM (LATCH PIN)	2	
16.0	95801-06012-07	FLANGE BOLT 6X12	2	
17.0	95801-06090-07	FLANGE BOLT 6x90	1	

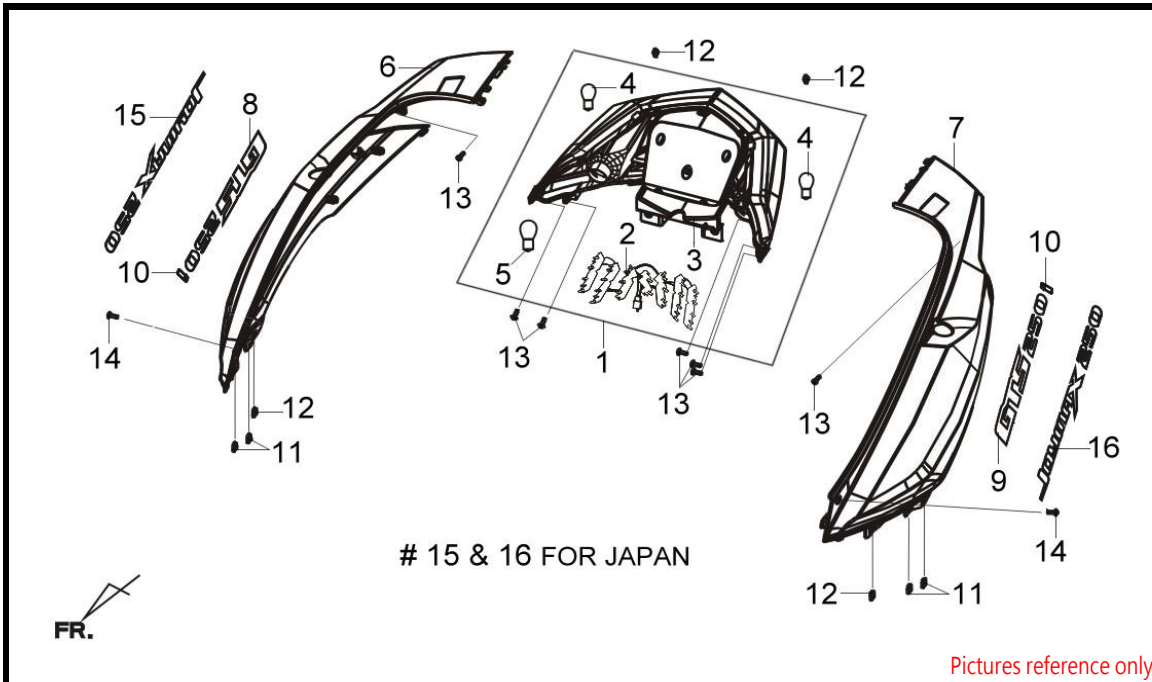


Pictures reference only

NO	PARTS NUMBER	DESCRIPTION	QTY	EFFECTIVE DATE
1.0	77400-L3A-000-KA	RR. BACK SEAT ASSY(BK-001U)	1	2014/04/29
2.0	81200-L3A-000-IL	R. RR. CARRIER(GY-7450U)	1	2014/04/29
3.0	81210-L3A-000-IL	L. RR. CARRIER(GY-7450U)	1	2014/04/29
4.0	90105-H7A-010	SPECIAL BOLT 8MM	4	
5.0	93406-08020-07	WASHER BOLT 8*20	4	

F18
BODY COVER

GTS 250I NEW

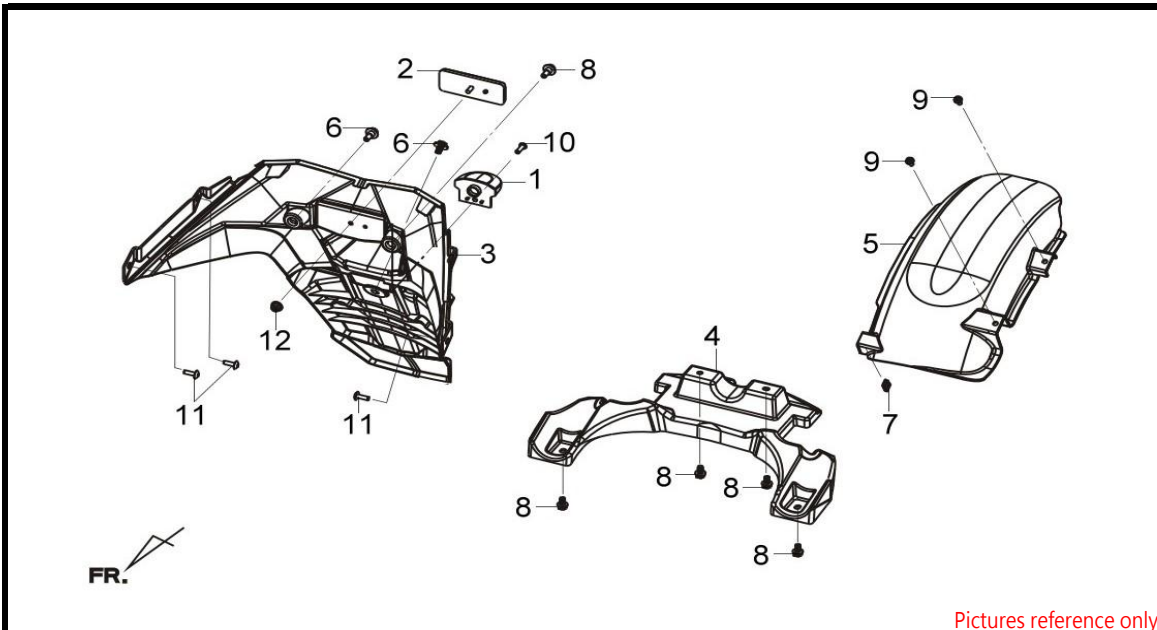


NO	PARTS NUMBER	DESCRIPTION	QTY	EFFECTIVE DATE
1.0	33700-L3A-000	RR. COMB LIGHT ASSY	1	
2.0	33703-L3A-000	TAIL LIGHT UNIT	1	
3.0	33704-L3A-000	TAIL LIGHT COVER	1	
4.0	34905-RCA-000	WINKER BULB	2	
5.0	34906-RA1-000	TAIL LIGHT BULB(12V,21W/5W)	1	
6.0	83500-L3A-000-KX	R. BODY COVER(BK-231S)	1	
6.0	83500-L3A-000-QU	R. BODY COVER(WH-300P)	1	
6.0	83500-L3A-000-IL	R. BODY COVER(GY-7450U)	1	2014/04/29
6.0	83500-L3A-000-IP	R. BODY COVER(GY-517S)	1	2014/04/29
6.0	83500-L3A-000-OQ	R. BODY COVER(S-7S)	1	2014/04/29
7.0	83600-L3A-000-KX	L. BODY COVER(BK-231S)	1	
7.0	83600-L3A-000-QU	L. BODY COVER(WH-300P)	1	
7.0	83600-L3A-000-IL	L. BODY COVER(GY-7450U)	1	2014/04/29
7.0	83600-L3A-000-IP	L. BODY COVER(GY-517S)	1	2014/04/29
7.0	83600-L3A-000-OQ	L. BODY COVER(S-7S)	1	2014/04/29
8.0	87126-L2B-000	R. BODY COVER EMBLEM	1	2014/04/29
9.0	87127-L2B-000	L. BODY COVER EMBLEM	1	2014/04/29
10.0	87129-HML-000	i MARK	2	2014/04/29
11.0	90308-X04-000	SPECIAL NUT 5MM	4	
12.0	90677-GR1-003	CLIP NUT 5X0.8	4	
13.0	93903-35320	TAPPING SCREW 5X16	7	
14.0	93903-45380	TAPPING SCREW 5X16	2	
15.0	87126-L2A-000	R. BODY COVER EMBLEM	1	2014/05/12
16.0	87127-L2A-000	L. BODY COVER EMBLEM	1	2014/05/12

● Please check the color & stripe information according to the color index !

F19
TAIL LIGHT

GTS 250I NEW



NO	PARTS NUMBER	DESCRIPTION	QTY	EFFECTIVE DATE
1.0	33740-LEA-010	LICENSE LIGHT ASSY	1	
2.0	33741-M9A-100	RR. REFLEX REFLECTOR	1	
3.0	80100-L3A-000-KA	RR. FENDER(BK-001U)	1	2014/04/29
4.0	80105-L3A-000	RR. INNER FENDER	1	
5.0	80106-L3A-000-KA	RR. MUDGUARD(BK-001U)	1	2014/04/29
6.0	90111-L2A-000	FLANGE BOLT 6MM	2	
7.0	90677-GR1-003	CLIP NUT 5X0.8	1	
8.0	93404-06012-07	WASHER BOLT 6X12	5	
9.0	93894-05016-07	WASHER SCREW	2	
10.0	93901-35380	SCREW TAPPING 5*16	1	
11.0	93903-35320	TAPPING SCREW 5X16	3	
12.0	94050-05080	FLANGE NUT 5MM	1	

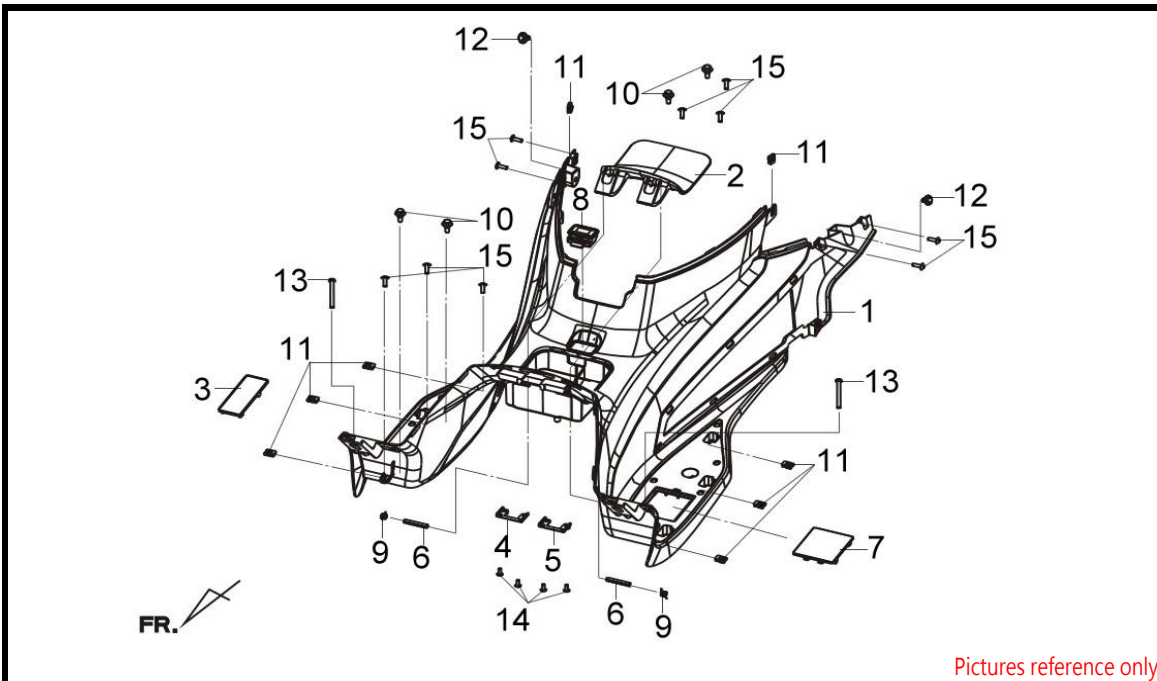
●Please check the color & stripe information according to the color index !

TEAMWORLD IND.

2014/04

F20
FLOOR PANEL

GTS 250I NEW

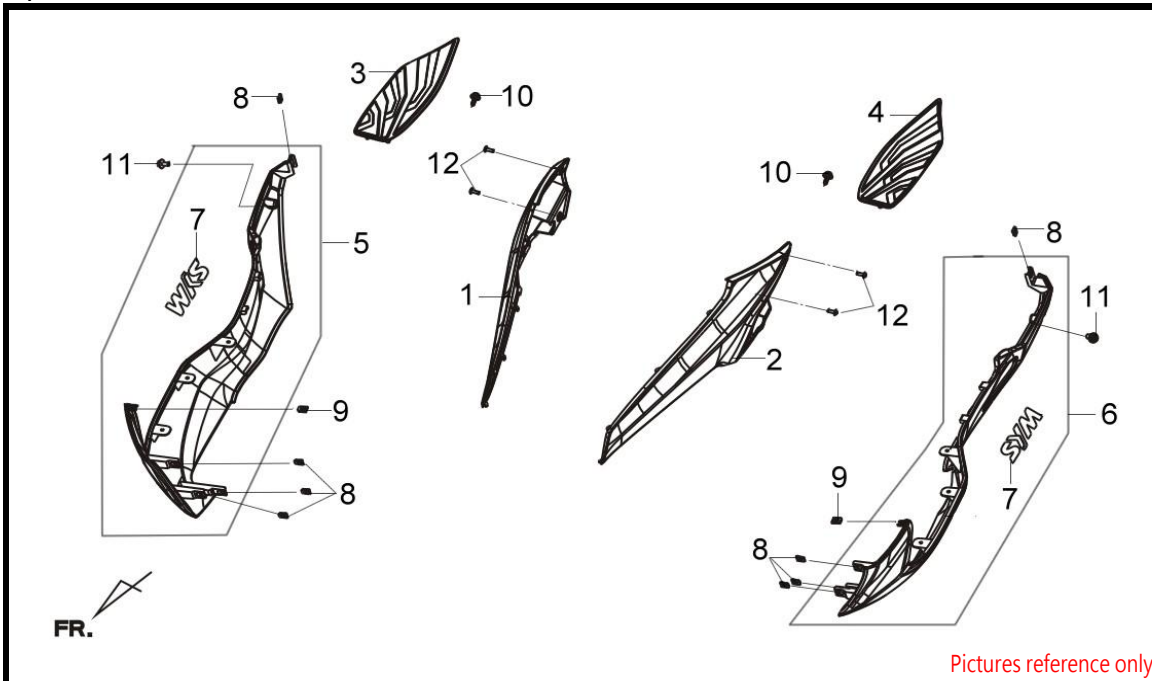


Pictures reference only

NO	PARTS NUMBER	DESCRIPTION	QTY	EFFECTIVE DATE
1.0	64310-L3A-010-KA	FLOOR PANEL(BK-001U)	1	2014/04/29
2.0	64311-L3A-010-KA	FUEL CAP LID(BK-001U)	1	2014/04/29
3.0	64313-F3C-000-KA	FRAME NUMBER LID(BK-001U)	1	2014/04/29
4.0	64315-L3A-000	R. LID HINGE STAY	1	
5.0	64316-L3A-000	L. LID HINGE STAY	1	
6.0	64317-L3A-000	LID HINGE PIN	2	
7.0	64318-L3A-000	RES. TANK LID	1	
8.0	64320-L4A-000	FUEL TANK COVER LOCK	1	
9.0	81153-HMA-010	COIN BOX LID SPRING	2	
10.0	90111-HKD-000	BOLT FLANGE 6MM	4	
11.0	90308-X04-000	SPECIAL NUT 5MM	8	
12.0	93401-06014-00	WASHER BOLT 6X14	2	
13.0	93891-05035-07	WASHER SCREW 5MM	2	
14.0	93903-34320	TAPPING SCREW 4X12	4	
15.0	93903-45380	TAPPING SCREW 5X16	10	

F21
R/L SIDE COVER

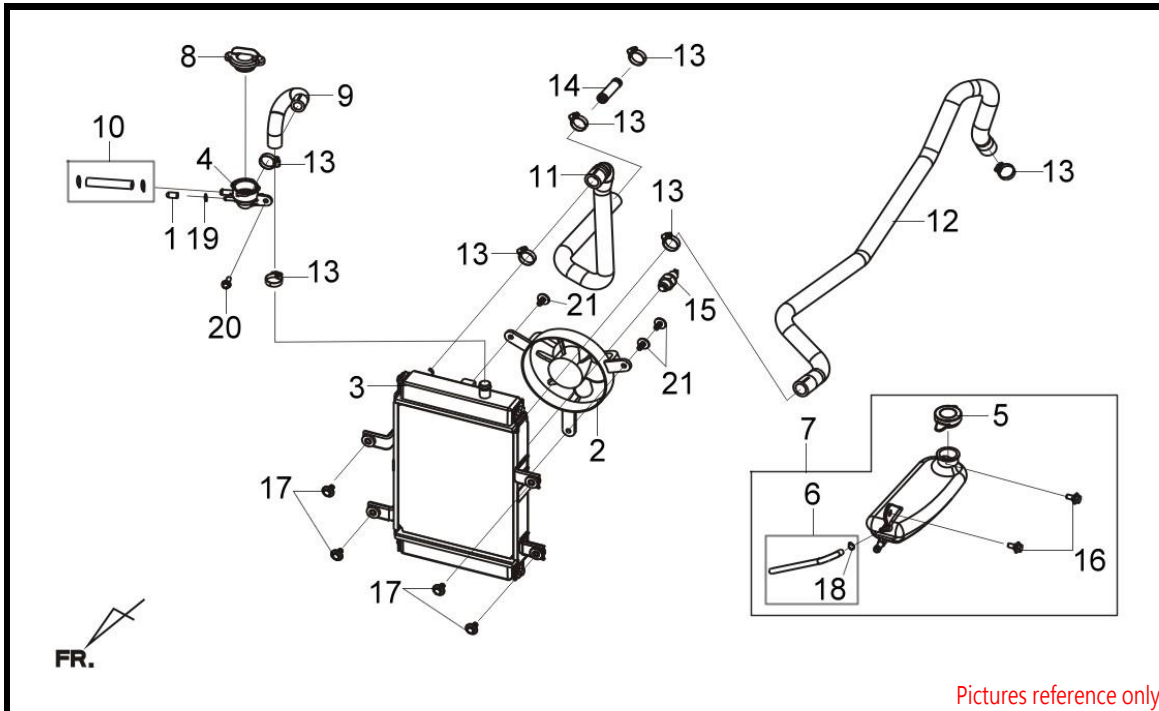
GTS 250I NEW



NO	PARTS NUMBER	DESCRIPTION	QTY	EFFECTIVE DATE
1.0	64313-L3A-000-IL	R. FLOOR GARNISH(GY-7450U)	1	2014/04/29
2.0	64314-L3A-000-IL	L. FLOOR GARNISH(GY-7450U)	1	2014/04/29
3.0	64321-L3A-000-KA	R. FLOOR MAT A(BK-001U)	1	2014/04/29
4.0	64322-L3A-000-KA	L. FLOOR MAT A(BK-001U)	1	2014/04/29
5.0	8352G-L3A-000-KX	R. SIDE COVER SET(BK-231S)	1	
5.0	8352G-L3A-000-QU	R. SIDE COVER SET(WH-300P)	1	
5.0	8352G-L3A-000-IL	R. SIDE COVER SET(GY-7450U)	1	2014/04/29
5.0	8352G-L3A-000-IP	R. SIDE COVER SET(GY-517S)	1	2014/04/29
5.0	8352G-L3A-000-OQ	R. SIDE COVER SET(S-7S)	1	2014/04/29
6.0	8362G-L3A-000-KX	L. SIDE COVER SET(BK-231S)	1	
6.0	8362G-L3A-000-QU	L. SIDE COVER SET(WH-300P)	1	
6.0	8362G-L3A-000-IL	L. SIDE COVER SET(GY-7450U)	1	2014/04/29
6.0	8362G-L3A-000-IP	L. SIDE COVER SET(GY-517S)	1	2014/04/29
6.0	8362G-L3A-000-OQ	L. SIDE COVER SET(S-7S)	1	2014/04/29
7.0	87121-A5W-000-T2	SYM MARK (90 STRIPE) TYPE2	2	2014/04/29
7.0	87121-A5W-000-T3	SYM MARK (90 STRIPE) TYPE3	2	2014/04/29
8.0	90308-X04-000	SPECIAL NUT 5MM	8	
9.0	90677-GR1-003	CLIP NUT 5X0.8	2	
10.0	93891-05016-07	WASHER SCREW 5X16	2	
11.0	93891-05035-07	WASHER SCREW 5MM	2	
12.0	93903-45380	TAPPING SCREW 5X16	4	

F22
RADIATOR ASSY

GTS 250I NEW

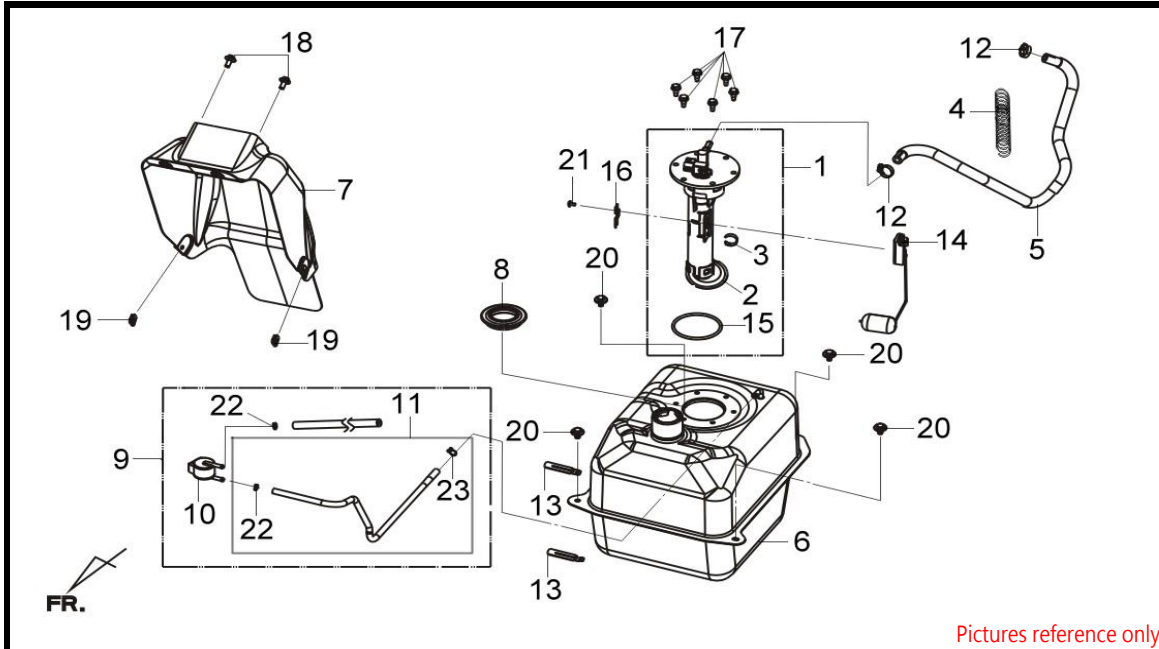


Pictures reference only

NO	PARTS NUMBER	DESCRIPTION	QTY	EFFECTIVE DATE
1.0	17236-FWA-000	TUBE PLUG	1	
2.0	19005-HMA-000	SHROUD ASSY	1	
3.0	19010-L3A-000	RADIATOR COMP	1	
4.0	19039-LVA-000	FILLER NECK	1	
5.0	19104-M9Q-000	RESERVE TANK CAP.	1	
6.0	19109-L3A-000	RESERVE TANK TUBE	1	
7.0	1910A-L3A-000	RESERVE TANK ASSY	1	
8.0	19111-H9A-000	RADIATOR FILLER CAP	1	
9.0	19125-L3A-000	RADIATOR HOSE A	1	
10.0	19126-L3A-000	RADIATOR HOSE B	1	
11.0	19501-L3A-000	RADIATOR INLET WATER HOSE	1	
12.0	19505-L3A-000	ENG. INLET WATER HOSE	1	
13.0	19505-REA-000	HOSE CLAMP	7	
14.0	19509-HWA-000	WATER HOSE 2 WAY JOINT	1	
15.0	37760-HMA-000	THERMO. SW	1	
16.0	90111-M9Q-800	FLANGE BOLT 6MM	2	
17.0	93404-06020-08	WASHER BOLT	4	
18.0	95002-02080	BREATHER TUBE CLIP B8	1	
19.0	95002-40800-08	TUBE CLAMPER D8.0	1	
20.0	95801-06012-08	FLANGE BOLT 6X12	1	
21.0	95801-06016-08	FLANGE BOLT 6X16	3	

F23
FUEL TANK

GTS 250I NEW



Pictures reference only

NO	PARTS NUMBER	DESCRIPTION	QTY	EFFECTIVE DATE
1.0	1670A-HWA-000	FUEL PUMP ASSY	1	
2.0	16711-M9Q-000	FUEL PUMP FILTER SCREEN	1	
3.0	16712-M9Q-000	PUSH NUT	1	
4.0	16715-F8A-000	FUEL TUBE COVER SPRING	1	
5.0	16730-L2E-000	FUEL TUBE	1	2013/10/03
6.0	17500-L3A-010	FUEL TANK	1	
7.0	17508-L3A-000	FUEL TANK HEAT GUARD	1	
8.0	17512-L3A-010	PACKING FILTER NECK	1	
9.0	17580-L3A-010	FUEL CUT VALVE ASSY	1	
10.0	17581-HMA-000	FUEL CUT VALVE(LIYANG)	1	
11.0	17585-L3A-010	TANK-FCV TUBE	1	
12.0	19505-H5D-000	HOSE CLAMP	2	
13.0	32162-H6T-000	CLIP 2*100	2	
14.0	37800-L3A-010	FUEL UNIT	1	
15.0	37801-A5L-000	FUEL FILTER PACKING	1	
16.0	37804-LEA-000	FUEL UNIT STAY	1	
17.0	90106-LEA-000	FUEL PUMP BOLT	6	
18.0	90111-GJ5-000	BOLT FLANGE 6MM	2	
19.0	90308-X04-000	SPECIAL NUT 5MM	2	
20.0	93404-06012-07	WASHER BOLT 6X12	4	
21.0	93903-HGC-000	TAPPING SCREW	1	
22.0	95002-02080	BREATHER TUBE CLIP B8	2	
23.0	95002-50000	TUBE CLIP C9 5MM	1	

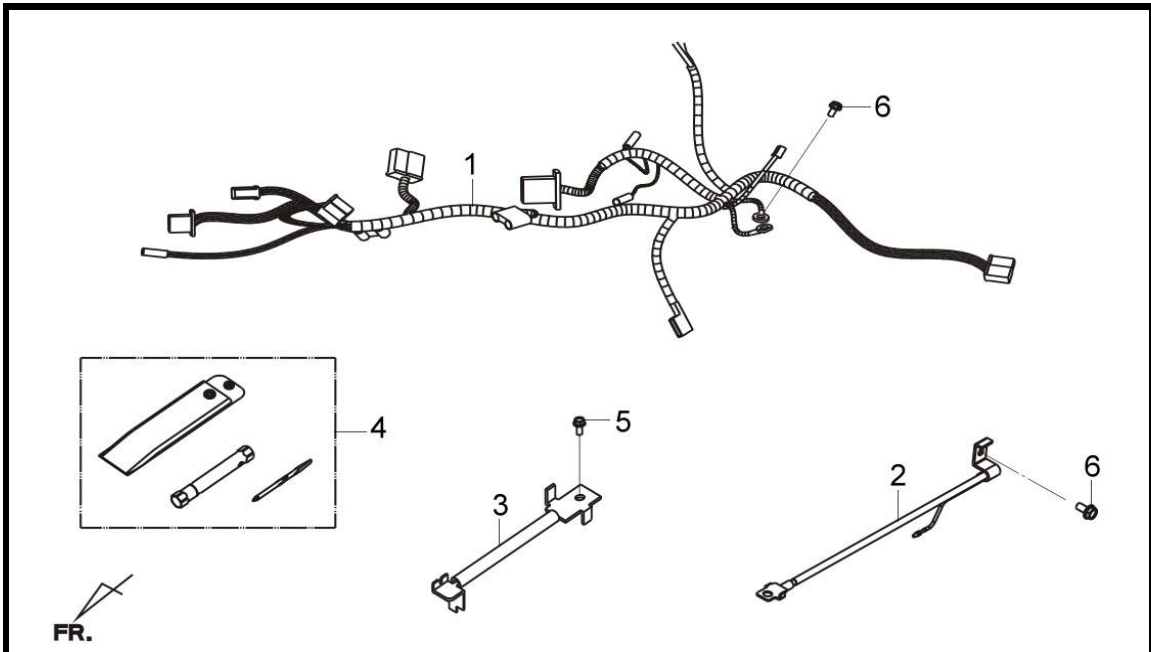
●Please check the color & stripe information according to the color index !

TEAMWORLD IND.

2014/04

F24
WIRE HARNESS

GTS 250I NEW

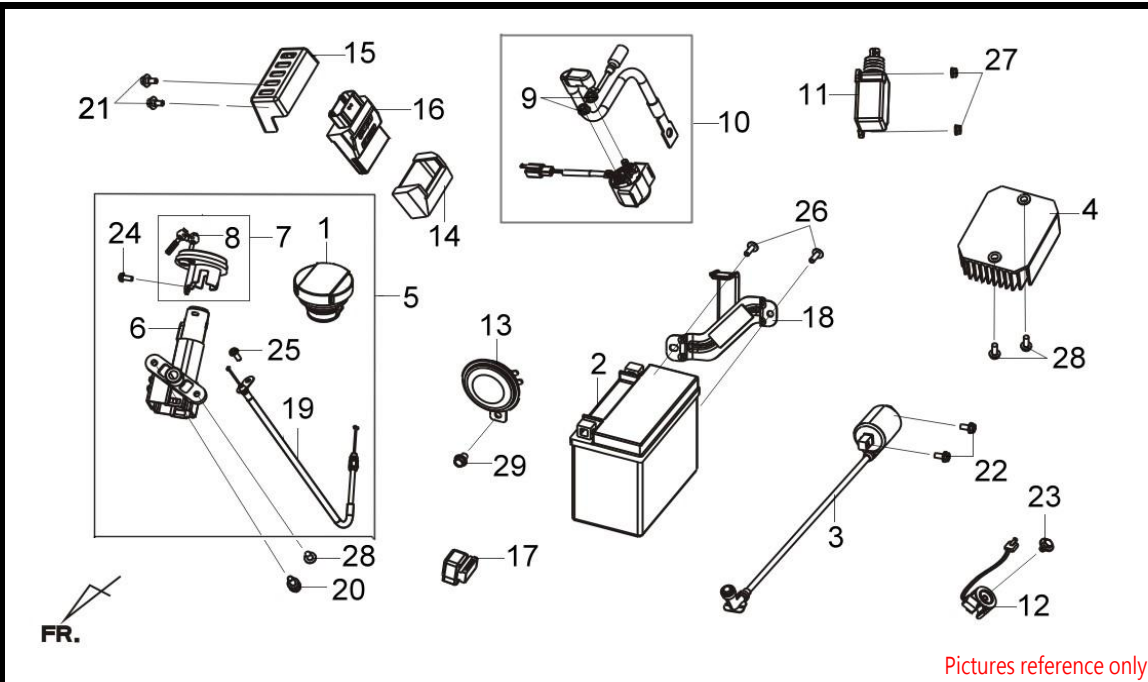


Pictures reference only

NO	PARTS NUMBER	DESCRIPTION	QTY	EFFECTIVE DATE
1.0	32100-L3C-100	WIRE HARNESS	1	
2.0	32412-L3A-000	EARTH CABLE	1	
3.0	32415-LEA-000	EARTH CABLE B	1	
4.0	89010-M92-000	TOOL SET	1	
5.0	90110-FYA-000	FLANGE BOLT 6X14	1	
6.0	95801-06012-07	FLANGE BOLT 6X12	2	

F25
ELECTRIC PART

GTS 250I NEW

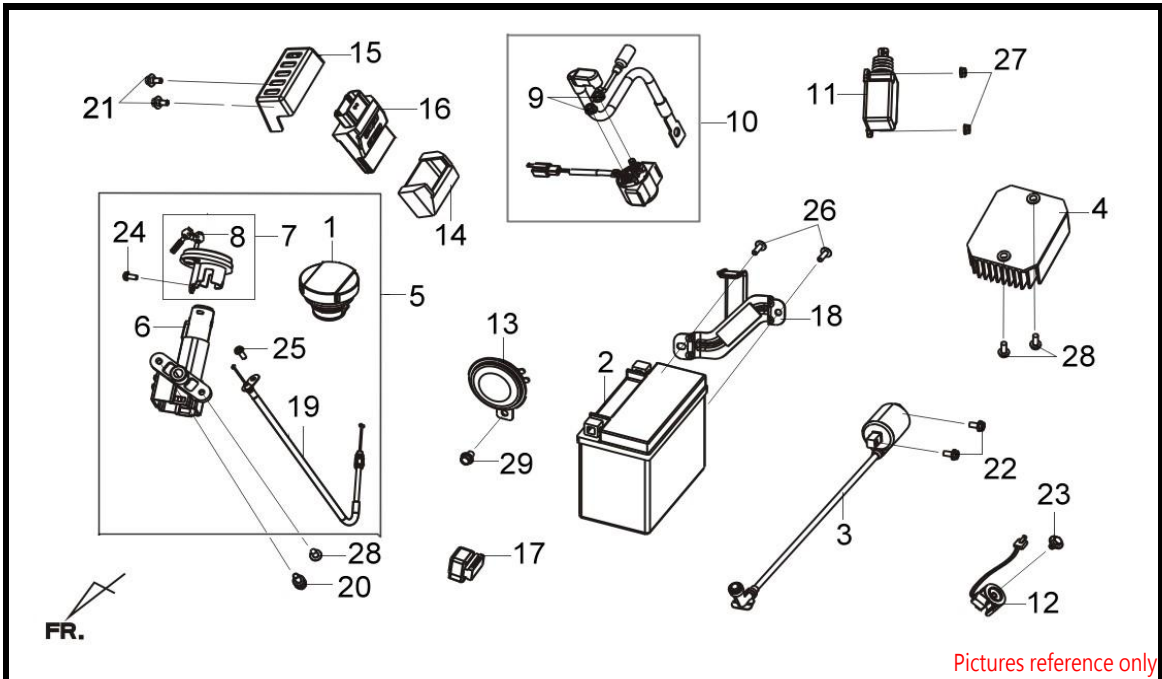


Pictures reference only

NO	PARTS NUMBER	DESCRIPTION	QTY	EFFECTIVE DATE
1.0	17620-L4A-000	FUEL FILLER CAP COMP	1	
2.0	1Y01BAA01-Y	BATTERY ASSY.YT12A-BS	1	
3.0	3051A-L3A-000	IGNITION COIL ASSY	1	
4.0	31600-L4A-000	REG. REC. ASSY	1	
5.0	35010-L3A-000	KEY SET	1	
6.0	35100-L4A-000	COMB.SW.ASS'Y	1	
7.0	35110-L4A-000	SHUTTER COMP	1	2013/10/03
8.0	35111-L4A-000-B01	KEY	1	
9.0	35859-M9Q-000	STAR MAG. SW NUT	1	
10.0	3585A-L3A-000	START MAG. SW. ASSY	1	
11.0	35880-HMB-000	LINER MOTOR ASSY.	1	
12.0	36500-HMA-000	SIDE STAND SW COMP	1	
13.0	38110-L3A-000	HORN COMP	1	
14.0	38700-L4A-900	ECU SUSPENSION	1	
15.0	38701-L3A-000	ECU COVER	1	
16.0	38710-L4A-000-11	ENG.CONT UNIT(L2E-01A)	1	
17.0	38800-H5B-000	ELECTRIC RELAY UNIT	1	
18.0	50324-L3A-000	BATTERY BAND	1	
19.0	77240-L3A-010	SEAT LOCK CABLE	1	
20.0	90085-HHA-900	SELF LOCKING BOLT 6*16	1	
21.0	90111-N01-000	FLANGE BOLT 6MM	2	
22.0	90112-M9Q-000	FLANGE BOLT 5*22	2	
23.0	93404-06016-07	BOLT WASHER 6X16	1	
24.0	93891-05008-08	WASHER SCREW 5*8	1	
25.0	93892-05012-08	WASHER SCREW 5X12	1	

F25
ELECTRIC PART

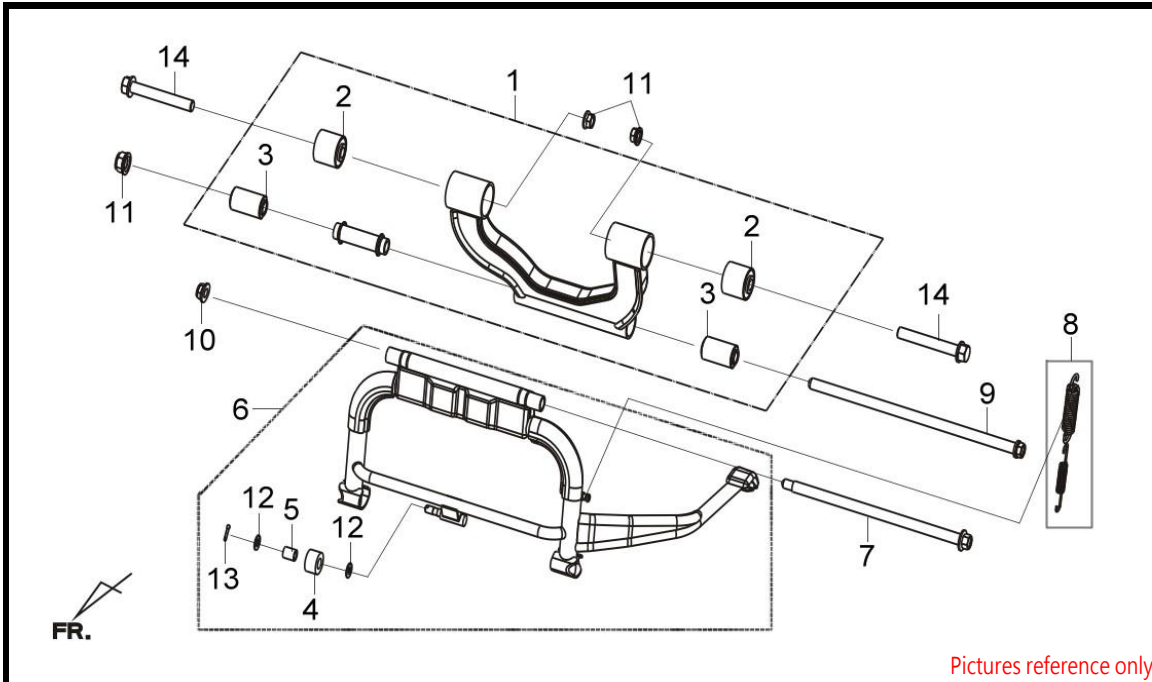
GTS 250I NEW



NO	PARTS NUMBER	DESCRIPTION	QTY	EFFECTIVE DATE
26.0	93903-45280	TAPPING SCREW 5X12	2	
27.0	94050-06080	FLANGE NUT 6MM	2	
28.0	95801-06016-08	FLANGE BOLT 6X16	3	
29.0	95801-08012-08	FLANGE BOLT 8X12	1	

F26
MAIN STAND ASSY

GTS 250I NEW



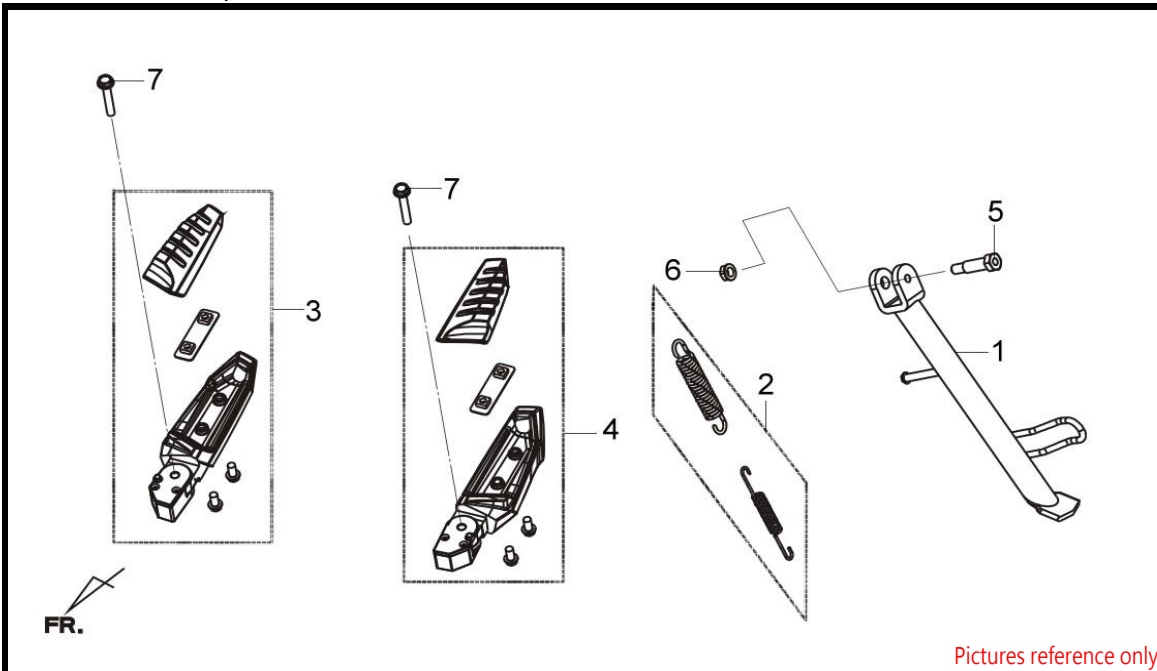
Pictures reference only

NO	PARTS NUMBER	DESCRIPTION	QTY	EFFECTIVE DATE
1.0	50350-L2A-000	ENG. HANGER LINK ASSY	1	
2.0	50353-HHA-000	SWING LOCK BUSH	2	
3.0	50357-HMA-000	ENG. HANGER BUSH	2	
4.0	50505-H3A-000	STAND STOPPER RUBBER	1	
5.0	50506-H3A-000	STOP RUBBER COLLAR	1	
6.0	5050A-L3A-900	MAIN STAND ASSY	1	
7.0	50512-H6B-000	MAIN STAND PIVOT BOLT	1	
8.0	5052A-L3A-020	MAIN STAND SPG.ASSY	1	
9.0	90107-L3A-000	FLANGE BOLT 12*268	1	
10.0	90304-M9Q-000	NUT U FLANGE 10MM	1	
11.0	90306-M9Q-000	SELF LOCK NUT 12MM	3	
12.0	94102-08800	PLAIN WASHER 8mm	2	
13.0	94201-25200	PIN SPLIT 2.5X20	1	
14.0	95801-12095-07	FLANGE BOLT 12*95	2	

F27

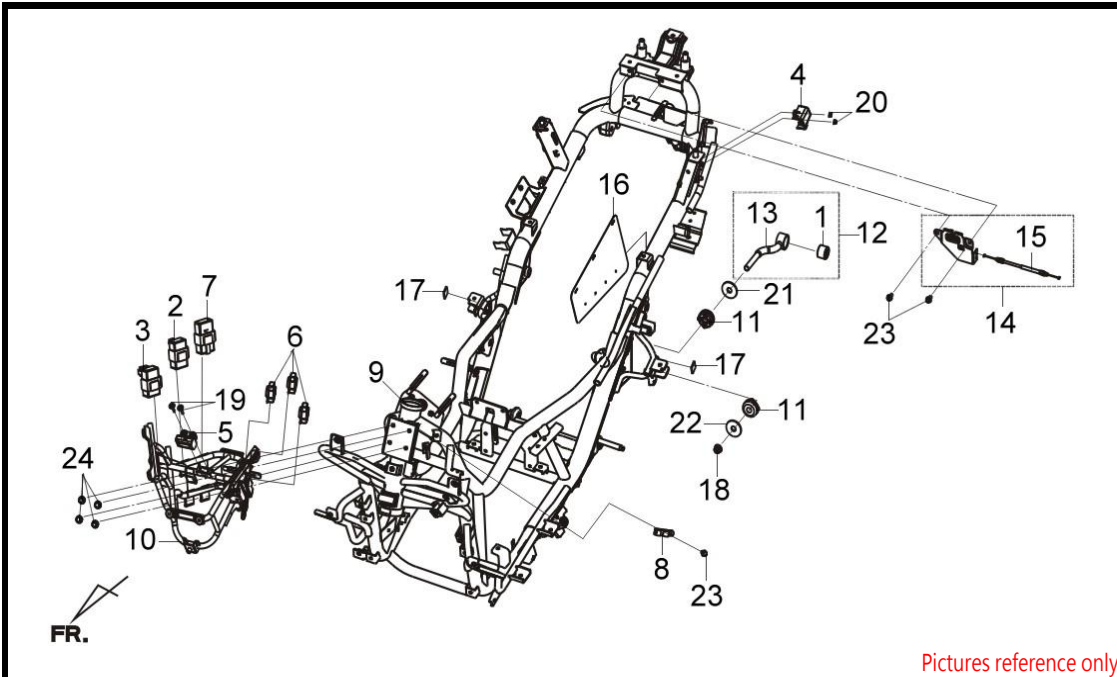
GTS 250I NEW

SIDE STAND & R/L. STEP BAR



Pictures reference only

NO	PARTS NUMBER	DESCRIPTION	QTY	EFFECTIVE DATE
1.0	50530-HMA-100	SIDE STAND COMP	1	
2.0	5053A-HMA-000	SIDE STAND SPRING ASSY.	1	
3.0	5071A-F6B-000-IE	R. STEP BAR SET(GY-820)	1	2014/04/29
4.0	5071B-F6B-000-IE	L. STEP BAR SET(GY-820)	1	2014/04/29
5.0	90108-HMA-000	SIDE STAND PIVOT SCREW	1	
6.0	94030-08080	HEX NUT 8MM	1	
7.0	95801-06040-07	FLANGE BOLT 6X40	2	

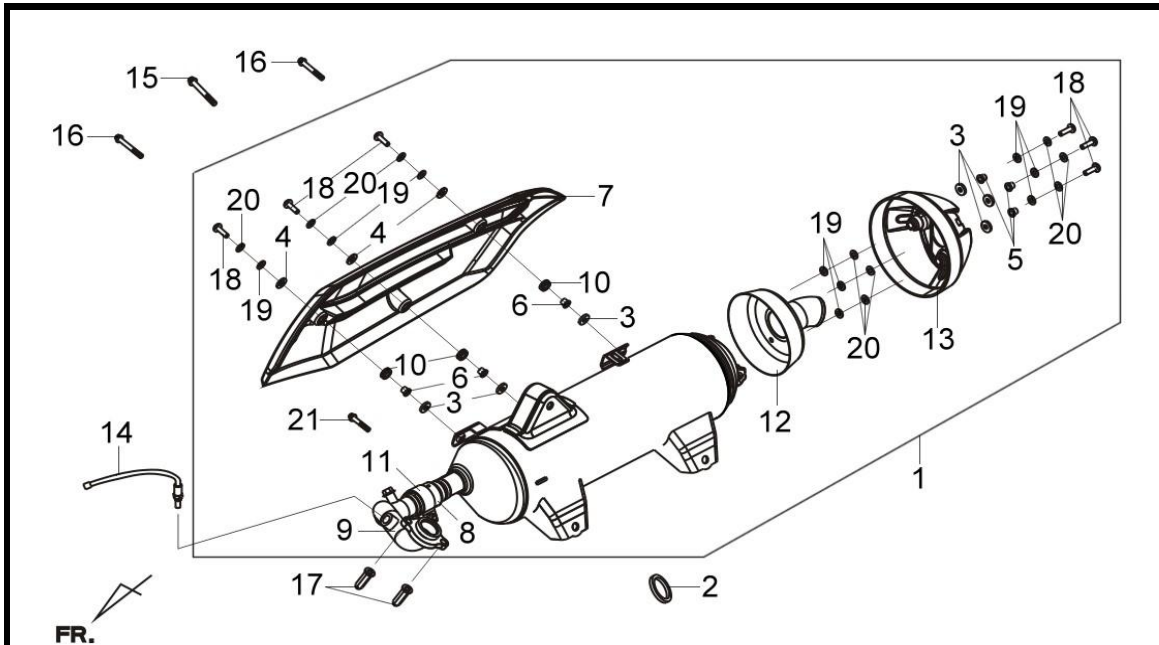


Pictures reference only

NO	PARTS NUMBER	DESCRIPTION	QTY	EFFECTIVE DATE
1.0	11102-H9A-300	ENG. HANGER RUB. BUSH	1	
2.0	3043A-REA-000	BATTERY OPEN CONTROL ASSY	1	
3.0	33800-VS1-010	HEAD LIGHT CONTROL UNIT	1	
4.0	35881-L3A-000	LINER MOTOR COVER	1	
5.0	36100-MMA-100	ROLL OVER SENSOR ASSY	1	
6.0	3850A-HLA-100	ELEC. RELAY ASSY	3	
7.0	3872A-L3D-000	HAZARD CONTROL UNIT ASSY	1	
8.0	45156-HMA-000	BRAKE HOSE CLAMP	1	
9.0	5010N-L2K-000	FRAME BODY COMP SET	1	
10.0	50315-L3A-000	FR. COVER STAY	1	
11.0	50352-L3A-000	STOPPER RUBBER	2	
12.0	50380-L2A-000	TENSION ROD ASSY	1	
13.0	50381-L2A-000	TENSION ROD	1	
14.0	77230-L3A-000	SEAT CATCH ASSY	1	
15.0	77241-L3A-000	SEAT LOCK CABLE B	1	
16.0	80103-HMA-000	L. SPLASH BOARD PLATE	1	
17.0	83619-L3A-000	RUBBER	2	
18.0	90304-M9Q-800	FLANGE U NUT 10MM	1	
19.0	93894-04022-08	WASHER SCREW	2	
20.0	94050-06080	FLANGE NUT 6MM	2	
21.0	94103-L2A-000	PLAIN WASHER 12MM	1	
22.0	94103-L3A-000	PLAIN WASHER 40MM	1	
23.0	95801-06012-08	FLANGE BOLT 6X12	3	
24.0	95801-08018-07	FLANGE BOLT 8*18	4	

F29
MUFFLER ASSY

GTS 250I NEW



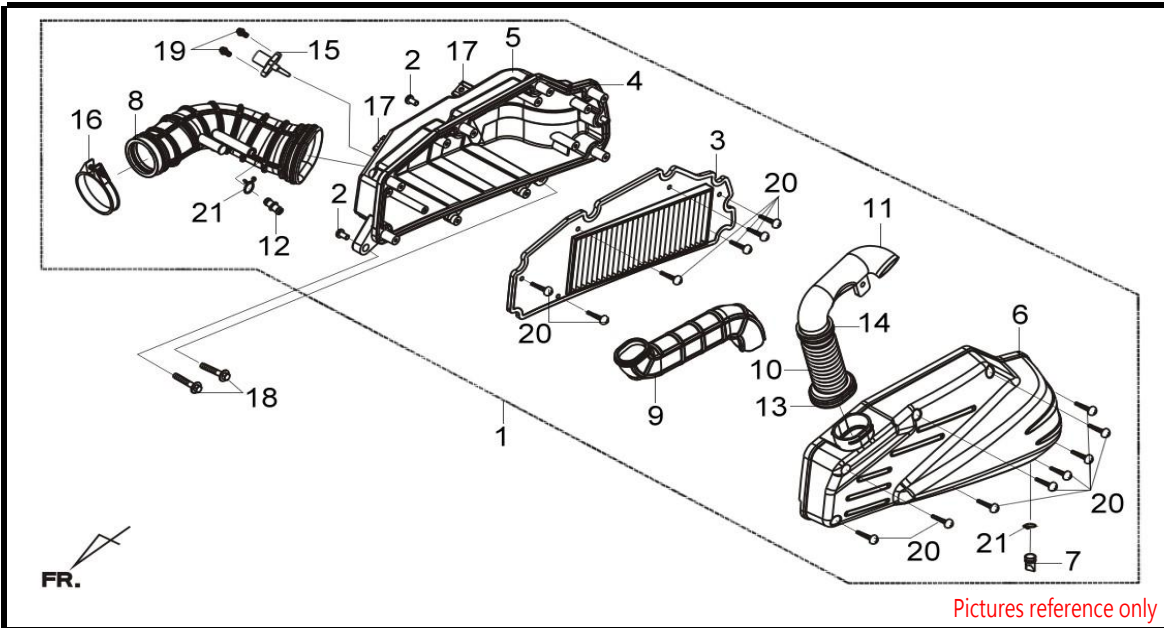
Pictures reference only

NO	PARTS NUMBER	DESCRIPTION	QTY	EFFECTIVE DATE
1.0	18000-L2C-000	EXH. MUFFLER ASSY(CATALYST)	1	
2.0	18291-H9A-000	EXHAUST PIPE GASKET	1	
3.0	18292-F3E-000	PROTECTOR PACKING A	6	
4.0	18293-F3E-000	PROTECTOR PACKING	3	
5.0	18295-A1A-000	COLLAR M6	3	
6.0	18295-F3E-000	COLLAR M6	3	
7.0	18318-L3A-300	MUFFLER PROTECTOR	1	
8.0	18319-HMA-300	MUFFLER GASKET	1	
9.0	18320-L2A-300	EXH.PIPE COMP	1	
10.0	18321-L1A-000	PROTECTOR RUBBER	3	
11.0	18321-RB1-000	MUFFLER BAND 37MM	1	
12.0	18324-L3A-000	OUTER TAIL CAP COMP	1	
13.0	18328-L3A-000	MUFFLER REAR PROTECTOR	1	
14.0	37890-A5L-000	O2 SENSOR	1	
15.0	90001-L3A-000	FLANGE BOLT M10X60	1	
16.0	90002-L3A-000	FLANGE BOLT M10X50	2	
17.0	90043-HMA-000	CAP NUT	2	
18.0	90116-L4A-000	SPECIAL BOLT M6*22	6	
19.0	94101-06700	PLAIN WASHER 6MM	9	
20.0	94111-06700	SPRING WASHER 6MM	9	
21.0	95801-08040-07	FLANGE BOLT M8X40	1	

●Please check the color & stripe information according to the color index !

F30
AIRCLEANER ASSY

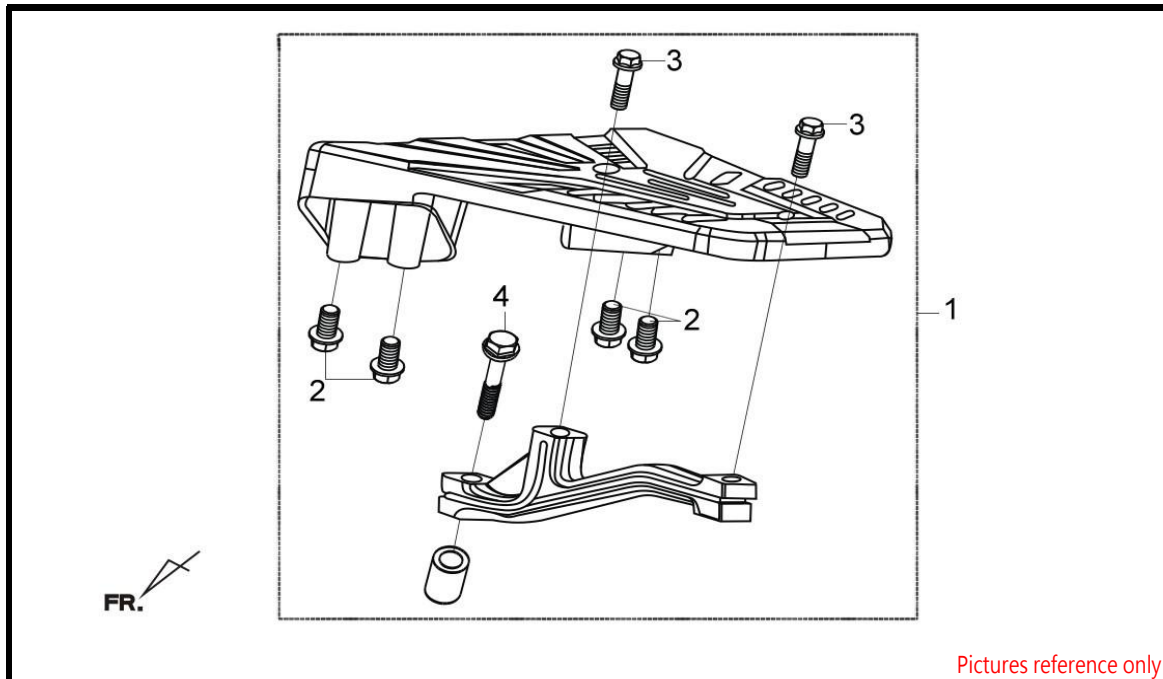
GTS 250I NEW



NO	PARTS NUMBER	DESCRIPTION	QTY	EFFECTIVE DATE
1.0	17200-L3A-000	AIR/C ASSY	1	
2.0	17208-L3A-000	AIR/C SET COLLAR	2	
3.0	17211-HMA-000	AIR/C ELEMENT COMP	1	
4.0	17214-HMA-000	AIR/C COVER SEAL	1	
5.0	17230-L3A-000	AIR/C CASE COMP	1	
6.0	17231-L3A-000	AIR/C COVER	1	
7.0	17234-M51-000	AIR CLEANER DRAIN TUBE	1	
8.0	17253-L3A-000	AIR/C CONNECTING TUBE	1	
9.0	17255-HMA-000	AIR/C INLET DUCT	1	
10.0	17257-HMA-000	AIR/C DUCT A	1	
11.0	17258-H9A-000	AIR/C CASE DUCT B	1	
12.0	17359-M9Q-000	BREATHER TUBE JOINT	1	
13.0	18362-HMA-000	BAND SILENCR SEAL	1	
14.0	18362-KA4-700	BAND SILENCR SEAL	1	
15.0	37830-HMC-000	AIR TEMP SENSOR	1	
16.0	90652-HMA-000	AIR/C CONN.TUBE BAND 48	1	
17.0	90677-GR1-003	CLIP NUT 5X0.8	2	
18.0	93404-06040-07	WASHER BOLT 6X40	2	
19.0	93891-05016-07	WASHER SCREW 5X16	2	
20.0	93903-25480	TAPPING SCREW 5X20	14	
21.0	95002-80000	TUBE CLIP C12	2	

F31
TRUNK BOX BRACKET ASSY

GTS 250I NEW



Pictures reference only

NO	PARTS NUMBER	DESCRIPTION	QTY	EFFECTIVE DATE
1.0	8131A-L3A-610	TRUNK BOX BRACKET ASSY	1	
2.0	93406-08025-07	WASHER BOLT 8X25	4	
3.0	93406-08028-00	WASHER BOLT 8X28	2	
4.0	95801-08060-07	FLANGE BOLT 8X60	1	