



ENGINE

	NO.	PARTCODE	ENGLISHDESCRIPTION	QTY
	1	1MODD0087	Engine	1
	2			
	3			
	4			
	5			
	6			
	7			
	8			
	9			
	10			
	11			
	12			
	13			
	14			
	15			
	16			
	17			
	18			
	19			
	20			

HEADLIGHT

	NO.	PARTCODE	ENGLISHDESCRIPTION	QTY
	1	63755-1853-C30076	Frontcommutationcover	1
	2	63550-1853-C000Q	Connectingboard,commutationcover	1
	3	9A133-1042-016X1X	Screw ST4.2x16	4
	4	86160-0000-340000	Bulb,positionlamp	1
	5	86360-0000-080000	Bulb,frontlamp	1
	6	86100-1853-C20001	Frontlamp	1
	7	B0009601060000K1X	Washer6	2
	8	B061770106000061X	Nut M6	2
	9	62514-1853-0000	Assemblingrubbersleeve,lowerdefl	2
	10	B166740106001671X	blot M6x16	2
	11	9A129-1060-01271X	Screw M6x12	2
	12			
	13			
	14			
	15			
	16			
	17			
	18			
	19			
	20			

METER/ TURNING LAMP

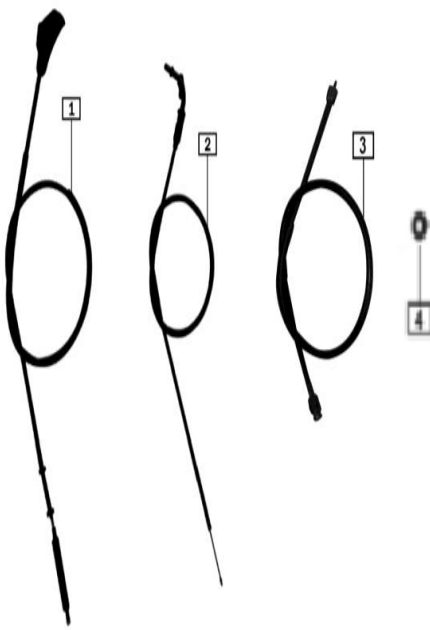
	NO.	PARTCODE	ENGLISHDESCRIPTION	QTY
	1	B166740106001271X	Bolt M6x12	2
	2	87101-I853-C60065	Meterbracket	1
	3	87100-I853-C700	Meterassy	1
	4	63342-H206-0100	HShaperubberwasher	3
	5	B0009601060000K1X	Washer6	3
	6	B061770106000061X	Nut M6	3
	7	86300-I853-C80002	Leftturninglamp,front	1
	8	86400-I853-C80002	Rightturninglamp,front	1
	9	86307-I853-C10065Q	Bracket,Leftturninglamp,front	1
	10	86407-I853-C10065Q	Bracket,Rightturninglamp,front	1
	11			
	12			
	13			
	14			
	15			
	16			
	17			
	18			
	19			
	20			

VEHICLE LOCK

	NO.	PARTCODE	ENGLISHDESCRIPTION	QTY
	1	B166740106001071X	Bolt M6x10	2
	2	07002-I853-C180	Vehiclelock	1
	3	B166740108001671X	Bolt M8x16	2
	4			
	5			
	6			
	7			
	8			
	9			
	10			
	11			
	12			
	13			
	14			
	15			
	16			
	17			
	18			
	19			
	20			

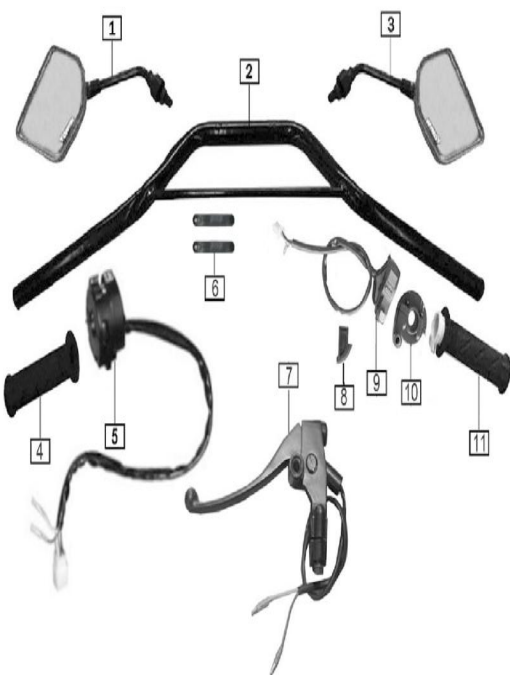
SOFTAXLE/ CABLE

NO.	PARTCODE	ENGLISHDESCRIPTION	QTY
1	72600AZZ28009351C	Cable,clutch	1
2	72400DZZ0B508081CQ	Cable,throttle	1
3	87300FZZ02109701CQ	Cable,odometer	1
4	6222A-0000-5400	H Shaperubberwasher	1
5			
6			
7			
8			
9			
10			
11			
12			
13			
14			
15			
16			
17			
18			
19			
20			



GRIP/ BACK VIEW MIRROR

NO.	PARTCODE	ENGLISHDESCRIPTION	QTY
1	69110-1853-C000Q	Leftrearviewmirror	1
2	72100-1853-020067	Tube,steeringhandlebar	1
3	69120-1853-C000Q	Rightrearviewmirror	1
4	72010-1111-020065Q	Rubberbush,lefthandlebar	1
5	72201-1853-010003	Leftswitchassembly	1
6	08216-0000-0300	Tiebelt L=60x12mm	2
7	72209-1853-000067	Handlebar,clutch	1
8	72053-1245-0000	Acceleratorslide	1
9	72301-1853-C00003	Rightswitchassembly	1
10	17010-1111-000001	Fixingseat,oiler	1
11	72020-1111-020065Q	Rubberbushassembly,righthandlebar	1
12			
13			
14			
15			
16			
17			
18			
19			
20			



FUEL TANK

	NO.	PARTCODE	ENGLISHDESCRIPTION	QTY
	1	B057890008003071X	Bolt M8x30	1
	2	91302-9080-32111X	Flangedwasher	1
	3	61112-1853-0000	Rearbufferbush,fueltank	1
	4	61100-1853-040001	Fuel tank	1
	4	61100-1853-040002	Fuel tank	1
	5	61150-M567-0000	Fuel cock	1
	6	613140120ZGT0000X	Compoundfuelpipeφ4×φ8×120	1
	7	613140220ZGT0000X	Compoundfuelpipeφ4×φ8×220	1
	8	61180-0000-0500	Fuelfilter	1
	9	61111-1377-0000	Frontbufferbush,fueltank	2
	10	87200-1471-000001	Fuel Sensor	1
	11	B166740106002071X	blot M6x20	2
	12			
	13			
	14			
	15			
	16			
	17			
	18			
	19			
20				

Seat

	NO.	PARTCODE	ENGLISHDESCRIPTION	QTY
	1	41100-1853-C00002	Seatsfordoublemen	1
	2	B166740106001671X	Bolt M6x16	2
	3	91302-0060-25061X	Flanged washerφ6×Φ25×1.5-5.5	2
	4	B0009601060000K1X	Washer6	2
	5	B166740108001671X	Bolt M8x16	2
	6	41460-1853-C00065Q	Bracket,Seat	1
	7	B057890008002571X	Bolt M6x25	2
	8			
	9			
	10			
	11			
	12			
	13			
	14			
	15			
	16			
	17			
	18			
	19			
	20			

Electric parts		NO.	PARTCODE	ENGLISHDESCRIPTION	QTY
<p>电气元件 ELECTRIC PARTS</p>		1	85171-0000-0000	Fusepipe	2
		2	83200-C000-C20003	Battery	1
		3	83230-0000-1200	Electrolyte	1
		4	85100-1853-C40005	Maincable	1
		5	82290-1126-0000Q	Startingrelay	1
		6	85600-1853-C000Q	Flasher	1
		7	83100-H206-0000Q	Rectifier	1
		8	B166740106001271X	Bolt M6x12	3
		9	81200-J949-0200	Ignitor	1
		10	85500-1219-010065	Horn	1
		11	81100-1126-C300Q	Ignitioncoil	1
		12	B166740106001671X	Bolt M6x16	2
		13	85111-0000-0200	Zero line	1
		14	B061770106000061X	Nut M6	2
		15			
		16			
		17			
		18			
		19			
		20			

tool/ battery bracket		NO.	PARTCODE	ENGLISHDESCRIPTION	QTY
<p>工具/电池支架 TOOL/BATTERY BRACKET</p>		1	06000-1126-C100	Vehicle tools	1
		2	B0009601060000K1X	Washer6	1
		3	B166740106001671X	Bolt M6x16	1
		4	B166740106002071X	Bolt M6x20	1
		5	63710-1853-C300	Toolbox	1
		6	B166740106001271X	Bolt M6x12	2
		7	83220-1853-C00065Q	Bracket, battery	1
		8	83210-G134-0200	Band, Battery	1
		9	B0009601060000K1X	Washer6	2
		10			
		11			
		12			
		13			
		14			
		15			
		16			
		17			
		18			
		19			
		20			

rear fender

	NO.	PARTCODE	ENGLISHDESCRIPTION	QTY
	1	91302-0060-18071X	Flangedwasher	2
	2	63201-1853-C100Q	Rearfender	1
	3	91302-9060-18041X	NutM6	4
	4	B166740106002071X	Bolt M6x20	4
	5	B0009601060000K1X	Washer6	4
	6	B0009601060000K1X	Washer6	4
	7	B061770106000061X	Nut M6	2
	8	63206-1853-000065Q	Bracket,redlicenceplate	1
	9	B166740106001671X	Bolt M6x16	2
	10	9A129-1060-02071X	Screw M6x20	2
	11	91218-1060-025TOU	CLIP	2
	12			
	13			
	14			
	15			
	16			
	17			
	18			
	19			
	20			

Rear lamp assembly/ TURNING LAMP

	NO.	PARTCODE	ENGLISHDESCRIPTION	QTY
	1	86500-1853-C80002	Leftturninglamp,rear	1
	2	86600-1853-C80002	Rightturninglamp,rear	1
	3	86260-0000-0100	Taillightbulb	1
	4	86204-1853-C100	Sidcover,rearlamp	1
	5	B061770106000061X	Nut M6	2
	6	B0009601060000K1X	Washer6	2
	7	86203-1853-010065Q	Bracket,rearlamp	1
	8	8620G-1853-C000	Rearcase,rearlamp	1
	9	86200-1853-C300	Rearlampassembly	1
	10			
	11			
	12			
	13			
	14			
	15			
	16			
	17			
	18			
	19			
	20			

AIR FILTER

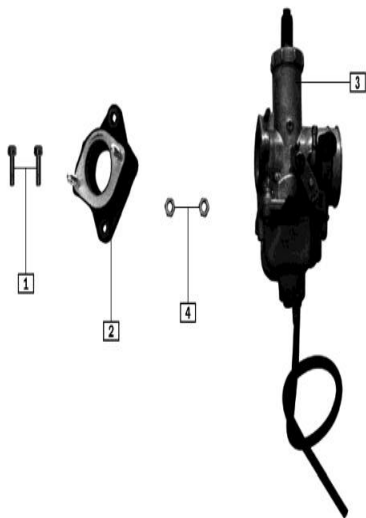
NO.	PARTCODE	ENGLISHDESCRIPTION	QTY
1	16100-JOS8-000003	Airfilter	1
2	B166740106001671X	Bolt M6x16	1
3	B0009601060000K1X	Washer6	1
4	16123-I853-C100	Jointclip,airfilter	1
5	16101-I853-C000	Airfilterelements	1
6			
7			
8			
9			
10			
11			
12			
13			
14			
15			
16			
17			
18			
19			
20			



CARBURETOR

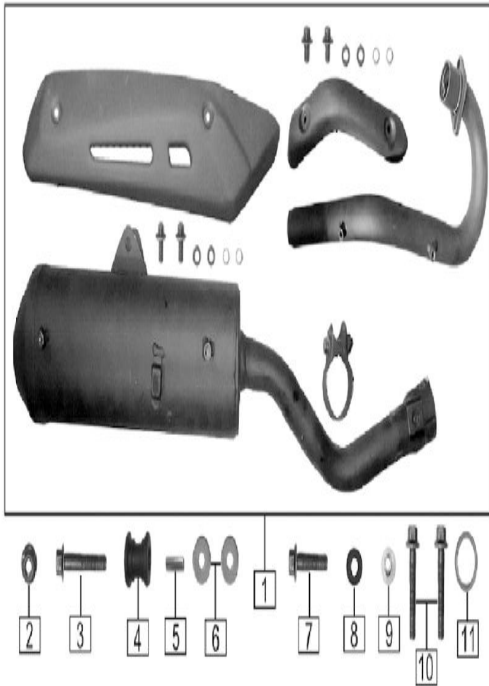
NO.	PARTCODE	ENGLISHDESCRIPTION	QTY
1	B166740106002071X	Bolt M6x16	2
2	15800-I853-C400	Intakepipe	1
3	17100-0000-170003	Carburetor	1
4	B061770106000061X	Nut M6	2
5			
6			
7			
8			
9			
10			
11			
12			
13			
14			
15			
16			
17			
18			
19			
20			

化油器
CARBURETOR



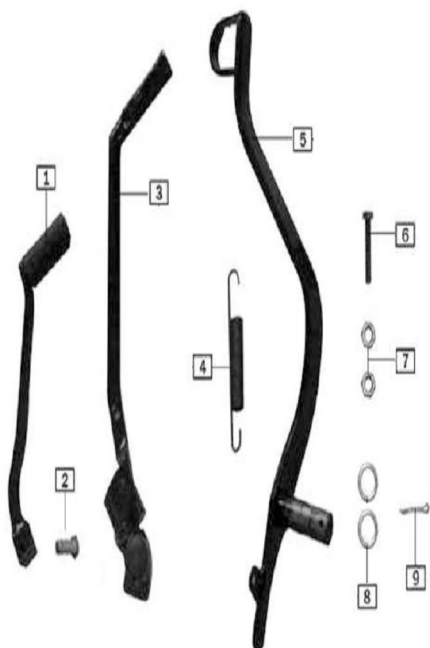
MUFFLER(2)

NO.	PARTCODE	ENGLISHDESCRIPTION	QTY
1	18000-1853-080002	Exhaust muffler	1
2	B061870108000061X	Nut M8	1
3	B0578900080045T1X	Bolt M8x45	1
4	42154-1853-0000	Rubber plug,reararmrest	1
5	91304-0085-12271X	Bush	1
6	B0009601080000K1X	Washer8	2
7	B057890008002571X	Bolt M8x25	1
8	6222A-1853-0000	H Shape rubber washer	1
9	91302-0080-32111X	Flanged washer	1
10	B166740108003071X	Bolt M8x30	2
11	18030-1111-0000	Sealpad,exmuffler	1
12			
13			
14			
15			
16			
17			
18			
19			
20			



foot control parts

NO.	PARTCODE	ENGLISHDESCRIPTION	QTY
1	24400-1853-000068	Gearshiftpedal	1
2	B057830006002071X	Bolt M6x20	1
3	21200-1111-020069	Startingarm	1
4	52105-1853-020001	Returningspring,rearbrake	1
5	52100-1853-010065Q	Rearbrakingleverassembly	1
6	B057830006003571X	Bolt M6x35	1
7	B061700006000061X	Nut M6	2
8	91301-0170-223K1X	Washer ϕ 17 \times ϕ 23-1.5	2
9	B000910003002501X	Openpin3x25	1
10			
11			
12			
13			
14			
15			
16			
17			
18			
19			
20			



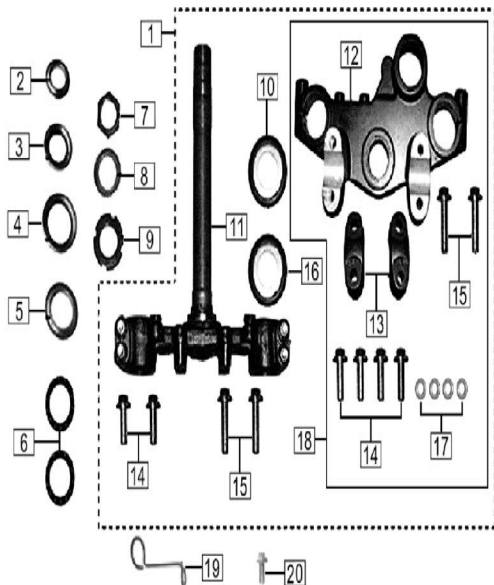
FRONT REAR PEDAL ASSEMBLY

NO.	PARTCODE	ENGLISHDESCRIPTION	QTY
1	32110-1853-010067	Left front pedal assembly	1
2	32120-1853-020067	Right front pedal assembly	1
3	32410-1853-000065Q	Left rear pedal assembly	1
4	32420-1853-030065Q	Right rear pedal assembly	1
5	B057890008003071X	Bolt M8x30	4
6	32618-1853-0000	Damping pad, right pedal	1
7			
8			
9			
10			
11			
12			
13			
14			
15			
16			
17			
18			
19			
20			



STEERING STEM

NO.	PARTCODE	ENGLISHDESCRIPTION	QTY
1	7110A-1853-C10066	Steering post	1
2	71201-1853-0000	Upper check ring,bearing	1
3	71203-1853-0000	Upper seat ring,bearing	1
4	71204-1853-0000	Lower seat ring,bearing	1
5	71202-1853-0000	Lower check ring,bearing	1
6	71208-1853-0000	Upper retaining bracket	2
7	71106-1853-000001	Locknut	1
8	7112B-1853-C10001	Washer	1
9	71105-1853-000001	Adjustingnut,steeringpost	1
10	71124-1853-0000	Upper dustproofing,steeringpost	1
11	71120-1853-000065	standing tube, steering post	1
12	71101-1853-C10065	Upper connecting board(without clip)	1
13	7111A-1853-C30065	Clip,steeringpost	2
14	B166740108003570G	Bolt M8x35	6
15	B166740108004070G	Bolt M8x40	4
16	71124-1853-C100	Lower dustproofing,steeringpost	1
17	B0009701080000K0G	Washer 8	4
18	71101-1853-000065	Upper connecting board assembly	1
19	85105-1853-C20065	Clip(upper),odometer	1
20	B166740106001271X	Bolt M6x12	1



FRONT SHOCK ABSORBER

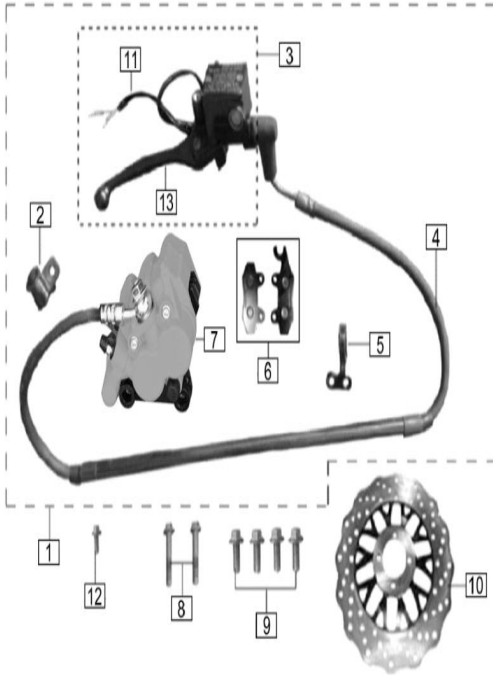
	NO.	PARTCODE	ENGLISHDESCRIPTION	QTY
	1	34100-1111-C20001	Left front damper	1
	2	34200-1111-C20001	Right front damper	1
	3	34212-J1R5-010017	decoration cap,left front damper	1
		34212-J1R5-010021	decoration cap,left front damper	1
	4	34213-J1R5-010017	decoration cap,right front damper	1
		34213-J1R5-010021	decoration cap,right front damper	1
	5	3411Y-1853-00006N	lower bracket,left front damper dec	1
	6	34183-1853-00006N	lower bracket,right front damper de	1
	7	3411X-1853-00006N	upper bracket,left front damper de	1
	8	34184-1853-00006N	upper bracket,right front damper d	1
	9	85105-1853-000001	Clip,odometer	1
	10	71185-1853-030065	Lower cable clip,front disc brake o	1
	11	9A113-1060-01271X	Screw M6x12	6
	12	91311-M288-0200	Rubber flat pad	6
	13			
	14			
	15			
	16			
	17			
	18			
	19			
	20			

FRONT FENDER

	NO.	PARTCODE	ENGLISHDESCRIPTION	QTY	
	1	63104-1853-C0004C	Frontfender	1	
	1	63104-1853-C00065	Frontfender	1	
	2	B166740106002071X	Bolt M6x20	4	
	3	B0009601060000K1X	Washer6	4	
		4			
		5			
		6			
		7			
		8			
		9			
		10			
		11			
	12				
	13				
	14				
	15				
	16				
	17				
	18				
	19				
	20				

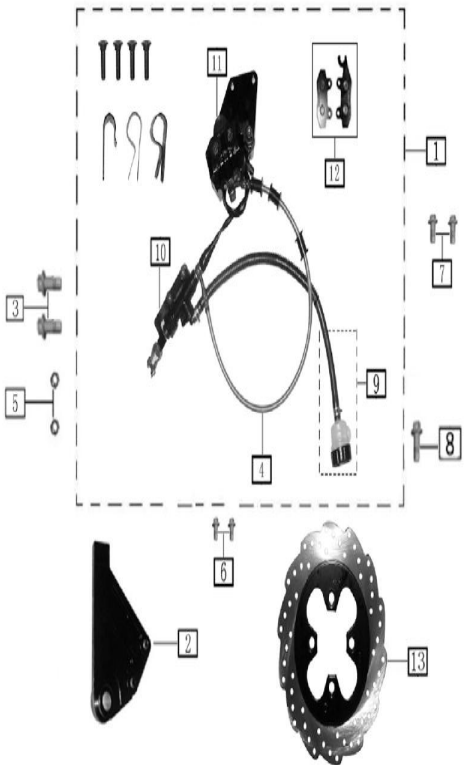
Front disc brake assembly

NO.	PARTCODE	ENGLISHDESCRIPTION	QTY
1	53000-1853-0200	Front disc brake assembly	1
2	71185-1853-0200	Tube clip,disc brake(lower)	1
3	53012-1853-0200	Upper pump,front disc brake	1
4	53002-1853-0200	Oil pipe, disc brake	1
5	71182-1853-0200	Tube clip,disc brake(upper)	1
6	53013-1853-040000	Friction disc , front disc brake	1
7	53030-1853-0200	Lowerpump,front disc brake	1
8	B057890008003571X	Bolt M8x35	2
9	B057890008002571X	Bolt M8x25	4
10	53001-1853-0100	Front brake disc	1
11	85120-1853-0200	Switch cable,front brake	1
12	B166740106001271X	Bolt M6x12	1
13	72310-1853-0000	Front brake handlebar	1
14			
15			
16			
17			
18			
19			
20			



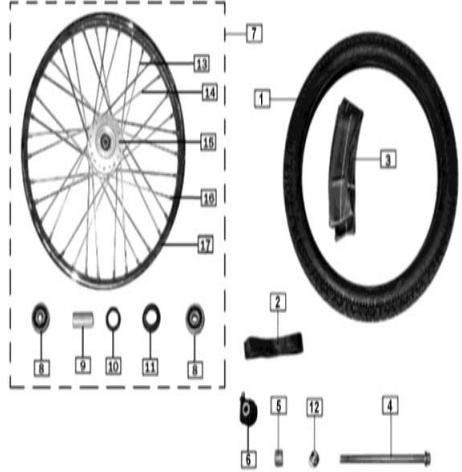
rear brake

NO.	PARTCODE	ENGLISHDESCRIPTION	QTY
1	53100-1853-C000	Rear dish brake assy	1
2	53143-1853-000065	Rear brake mounting bracket	1
3	B166743106002571X	Bolt M6x25	2
4	53020-1853-C000	Rear brake	1
5	B061770106000061X	Nut M6	2
6	B166740106001271X	Bolt M6x12	2
7	B166740108002071X	Bolt M8x20	2
8	B166740106001671X	Bolt M6x16	1
9	53120-1853-C100	Rear brake	1
10	53105-1853-C000	Front pump	1
11	53104-1853-C000	Lower pump	1
12	53106-1853-000000	Friction disc	1
13	53101-1853-0000	Rear brake disc	1
14			
15			
16			
17			
18			
19			
20			



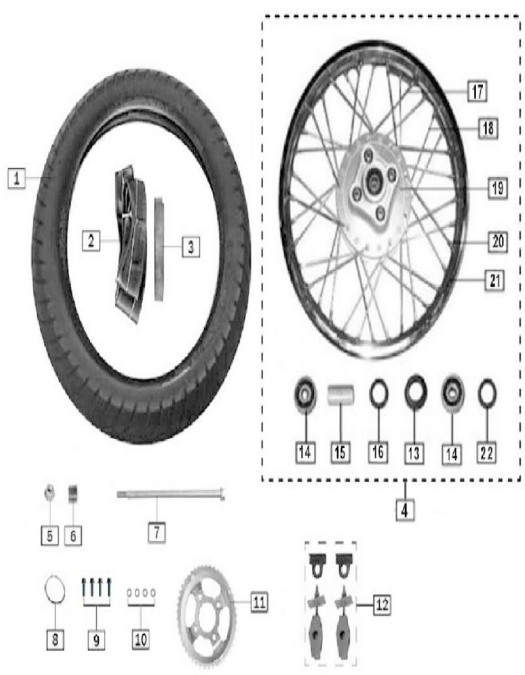
FRONT WHEEL

NO.	PARTCODE	ENGLISHDESCRIPTION	QTY
1	51188-0000-000208	Shoe,frontwheel	1
2	51205-0000-0000	Padbelt,rearwheel	1
3	51189-0000-000053	Innertube,frontwheel	1
4	51181-1301-000001	Axle,frontwheel	1
5	51101-1853-030006	Leftbush,frontwheel	1
6	87330-1111-020071	Speedcounter	1
7	51110-1853-020074	Rearwheelwithspoke	1
8	92102-000063012RS	Bearing6301-2RS	2
9	51117-0000-61000B	Innerbush,hub	1
10	5110A-0000-0600	SupportRing	1
11	51116-0000-0300	Oilseal23x37x11	1
12	B061870212000061X	Nut M12x1.25	1
13	51113-2032-2340	Spoke,frontwheel	18
14	51113-1032-2345	Spoke,frontwheel	18
15	51115-0000-230071	Hubassembly	1
16	51124-0000-02000C	Nut,spoke	36
17	51112-0000-36000G	spokewheelrim	1
18			
19			
20			



rear wheel

NO.	PARTCODE	ENGLISHDESCRIPTION	QTY
1	51288-0000-000245	Shoe,rearwheel	1
2	51289-0000-000069	Innertube,rearwheel	1
3	51205-0000-0000	Padbelt,rearwheel	1
4	51210-1853-060069	Rearwheelwithspoke	1
5	B061870214000061X	Nut M14x1.5	1
6	51201-1853-01001X	Leftbush,rearwheel	1
7	51281-1853-00001X	Axle,rearwheel	1
8	B008940158000001X	Retainingring58	1
9	B166740210002571X	Bolt M10x1.25x25	4
10	B000930010000001X	Spring washer	4
11	55002-1853-C10001	Sprocket	1
12	35010-J0A2-000002	Adjuster,chain	2
13	51116-0000-0400	Oilseal 28x42x7	1
14	92102-000063022RS	Bearing6302-2RS	2
15	51117-0000-99000C	Innerbush,hub	1
16	5110A-0000-0200	SupportRing	1
17	51114-2040-1875	Spoke,rearwheel	18
18	51114-1040-1915	Spoke,rearwheel	18
19	51214-0000-440067	Rearhubassembly	1
20	51124-0000-04000C	Nut,spoke	36
21	51112-0000-19000G	spokewheelrim	1
22	51116-0000-0800	Oilseal 25x47x10	1



rear fork/ rear shock absorber

	NO.	PARTCODE	ENGLISHDESCRIPTION	QTY
	1	B1667402100070S1X	Bolt M10x1.25x70	1
	2	B1667402100070S1X	Bolt M10x1.25x70	1
	3	B061870210000061X	Nut M10x1.25	2
	4	33300-1853-C20065Q	Rearabsorbershock	1
	5	9A129-1060-01671X	Screw M6x16	1
	6	35001-L0M1-0000Q	Protectingclip,chain	1
	7	91302-9060-20071X	Plane washer	1
	8	35200-1853-020067	Forkassembly	1
	9	35201-J150-0000	Dustproofcap,fork	2
	10	35281-1853-C00001	Shaft,fork	1
	11	B061712014000061X	Nut M14x1.5	2
	12	91302-0140-25040U	Flanged washer	2
	13	3520B-1853-020000	Flat fork shaft bush	
	14	35233-1853-020001	Flat fork inner bush	
	15			
	16			
	17			
	18			
	19			
	20			

chain box/ chain

	NO.	PARTCODE	ENGLISHDESCRIPTION	QTY
	1	35110-1853-0200Q	Halfchaincase	1
	2	26400-428H-0130	Chain(428Hx130)	1
	3	35316-1853-C200	Block,chain	1
	4	B166740106001271X	Bolt M6x12	2
	5	B0009601060000K1X	Washer6	4
	6	B166740106001671X	Bolt M6x16	2
	7			
	8			
	9			
	10			
	11			
	12			
	13			
	14			
	15			
	16			
	17			
	18			
	19			
	20			

PROTECTING BOARD,FUEL TANK

	NO.	PARTCODE	ENGLISHDESCRIPTION	QTY
	1	63373-1853-C30090	Leftdecorativecover,fueltank	1
		63373-1853-C30093	Leftdecorativecover,fueltank	1
	2	63374-1853-C30090	Rightdecorativecover,fueltank	1
		63374-1853-C30093	Rightdecorativecover,fueltank	1
	3	9A129-1060-01271X	Screw M6x12	4
	4	B0009601060000K1X	Washer6	6
	5	91311-G124-0000	Rubberflatpad(φ5×φ15)	6
	6	6222B-0000-5300	H Shaperubberwasher	2
	7	9A129-1060-01671X	Screw M6x16	2
	8	62347-1853-C0004C	Decorationparts,Leftdecorativecover,fueltank	1
		62347-1853-C00065	Decorationparts,Leftdecorativecover,fueltank	1
	9	62348-1853-C0004C	Decorationparts,Rightdecorativecover,fueltank	1
		62348-1853-C00065	Decorationparts,Rightdecorativecover,fueltank	1
	10	9A133-1042-010X1X	Screw ST4.2x9,5	6
11	B0009701050000K1X	Washer5	6	
12				
13				
14				

sidecap

	NO.	PARTCODE	ENGLISHDESCRIPTION	QTY
	1	63341-1853-C20089	Cap,vehicleleftpart	1
		63341-1853-C20092	Cap,vehicleleftpart	1
	2	63301-1853-C10087	Leftsidecap	1
	2	63301-1853-C10087	Leftsidecap	1
	3	63352-1853-C20089	Cap,vehiclerightpart	1
	3	63352-1853-C20092	Cap,vehiclerightpart	1
	4	63332-1853-C10087	Rightsidecap	1
	4	63332-1853-C10087	Rightsidecap	1
	5	9A129-1060-01671X	Screw M6x16	4
	6	9A129-1060-02571X	Screw M6x25	2
	7	B0009601060000K1X	Washer6	6
	8	91311-G124-0000	Rubberflatpad(φ5×φ15)	6
	9	B0084500042013X1X	Screw ST4.2x13	4
	10	B0009701050000K1X	Washer5	4
	11	63346-1126-0400	Rubberringrotundity	4
	12	63314-1853-C0006N	bracket,rightcover	1
	13	B166740106001271X	Bolt M6x12	1
	14			
	15			
16				
17				
18				
19				
20				

Rear COVER				
	NO.	PARTCODE	ENGLISHDESCRIPTION	QTY
	1	9A129-1060-01671X	Screw M6x16	4
	2	B0009601060000K1X	Washer6	6
	3	B061770106000061X	Nut M6	2
	4	63602-1853-C30065	Rearcover	1
	4	63602-1853-C30065	Rearcover	1
	5	6222A-0000-0800	HShaperubberwasher	4
	6	63436-1111-0000	Dampingfoam,protectiveboard,fueltank	2
	7	91302-9060-18031X	Flangedwasherφ6×18-3-1	4
	8			
	9			
	10			
	11			
	12			
	13			
	14			
	15			
	16			
	17			
	18			
	19			
20				

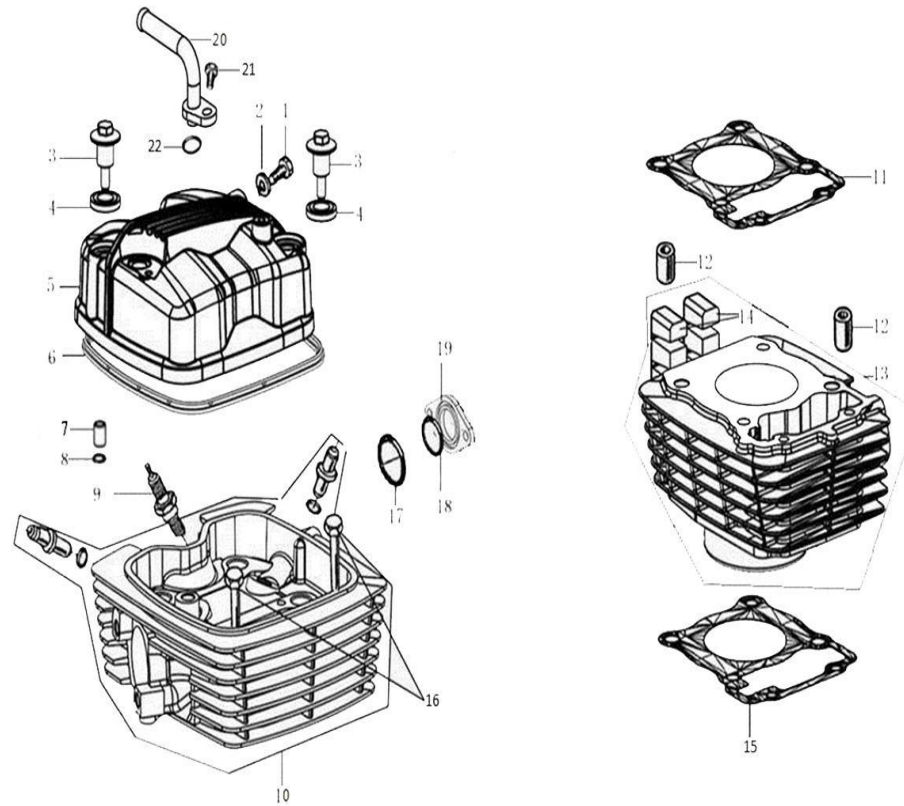
Rear arm rest				
	NO.	PARTCODE	ENGLISHDESCRIPTION	QTY
	1	42217-1853-C00071	Reararmrest,L	1
	2	42218-1853-C00071	Reararmrest,R	1
	3	B166740108002071X	Bolt M8x20	2
	4	B166740108001671X	Bolt M8x16	2
	5	B0009601080000K1X	Washer8	4
	6			
	7			
	8			
	9			
	10			
	11			
	12			
	13			
	14			
	15			
	16			
	17			
	18			
	19			
	20			

frame			
NO.	PARTCODE	ENGLISHDESCRIPTION	QTY
1	31100-I853-370001	Frame	1
2	32130-I853-070066	Sidebracket	1
3	32102-M954-000001	Spring,sidebracket	1
4	08216-0000-0900	TiebeltL=250mm	5
5	08216-0000-0700	TiebeltL=180mm	7
6	91113-6100-23671X	bolt M10x1.25x36	1
7	B061770210000061X	Nut M10x1.25	1
8			
9			
10			
11			
12			
13			
14			
15			
16			
17			
18			
19			
20			

Engine suspension			
NO.	PARTCODE	ENGLISHDESCRIPTION	QTY
1	B0578920100110T1X	Bolt M10x1.25x110	2
2	B0578900080090T1X	Bolt M8x90	4
3	32327-I853-00006N	Leftfrontsuspension	1
4	32328-I853-00006N	Rightfrontsuspension	1
5	B061870210000061X	Nut M10x1.25	2
6	B061870108000061X	Nut M8	7
7	B0578900080075T1X	Bolt M8x75	2
8	32305-I853-00006N	Connectingboard,engineertupper	1
9	B057890008002071X	Bolt M8x20	2
10	B166740106002071X	Bolt M6x20	1
11	91302-9060-20071X	Flangedwasherφ6×φ20-7-2	1
12	86214-H206-0100	Dampingpad,rearlamp	1
13	63404-I853-C00065	(pearlblack)	1
14			
15			
16			
17			
18			
19			
20			
21			

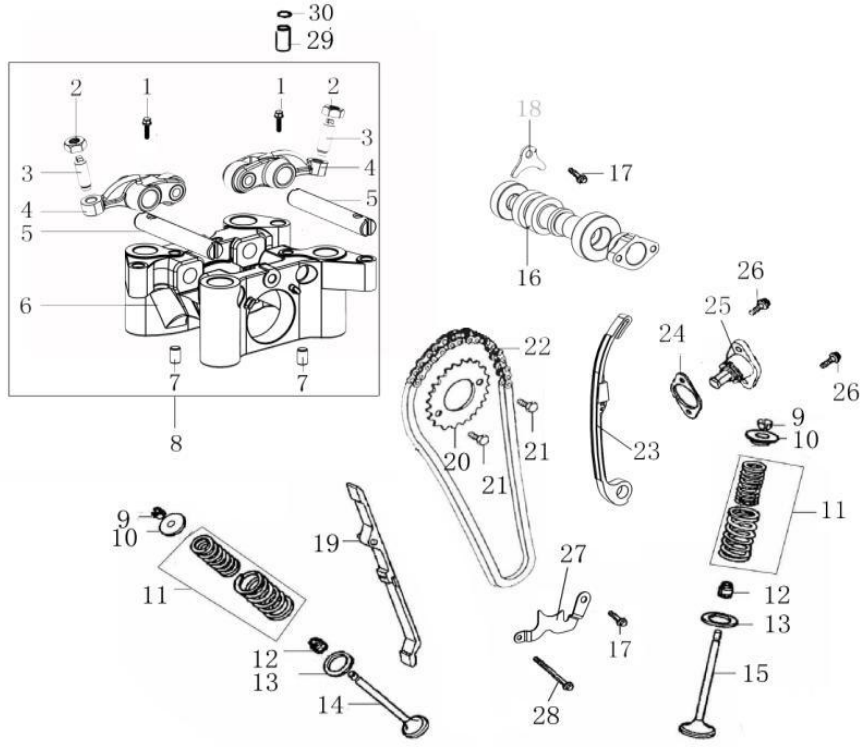
ENVIRONMENT PROTECT MECHANISM			
NO.	PART CODE	ENGLISH DESCRIPTION	QTY
1	18090-G279-0000	Air pump	1
2	B166740106002571C	Bolt M6x25	2
3	B061770106000061X	Nut M6	2
4	18092-0000-300001	Pipe φ9×φ15×(30+120)	1
5	613140440ZGT0000X	Pipe φ4×φ8×400	1
6	16156-0000-430001	Pipe (φ16×φ11×(30+580))	1
7	16156-0000-2000	Pipe (φ11×φ16×(80+125))	1
8			
9			
10			
11			
12			
13			
14			
15			
16			
17			
18			
19			
20			

CYLINDER HEAD ASSY/CYLINDER ASSEMBLY				
NO.	(PART CODE)	PART NAME	QTY	REMARK
1	100011261-0004	Bolt, M6×12		
2	100106538	Washer, φ6.2×1.5×φ13	1	
3	100100407-0004	Screw	2	1
4	100208911	Gasket	2	
5	100102852-0014	Upper Cover Cylinder Head	1	
6	100208447	Seal Ring,Of Upper Cover Cylinder Head	1	
7	100102726	Dowel Pin,φ9×13	1	
8	100104517	Rectangle Ring	1	
9	100104154	Spark Plug	1	
10	100104432-0016	Cylinder Head Assy	1	
11	100208866	Gasket Assy Cylinder Head	1	
12	100010556	Pin,φ10×12	2	
13	100207541-0017	Cylinder Block Assembly	1	
14	100102822	Shock Absorption Colloid	2	
15	100208589	Gasket Cylinder Block	1	
16	100011285-0001	Bolt, M6×105	2	
17	100107753	O-Ring,φ30×2.5	1	
18	100057104	O-Ring,φ25×2.4	1	
19	100208765	Gasket Carburetor	1	
20	100105492-0002	Iron Pipe	1	
21	100011264-0003	Bolt, M6×16	1	
22	100066615	O-Ring,φ10×2.3	1	
23				
24				
25				
26				
27				
28				
29				
30				
31				
32				
33				
34				
35				
36				
37				
38				
39				
40				
41				
42				
43				
44				
45				



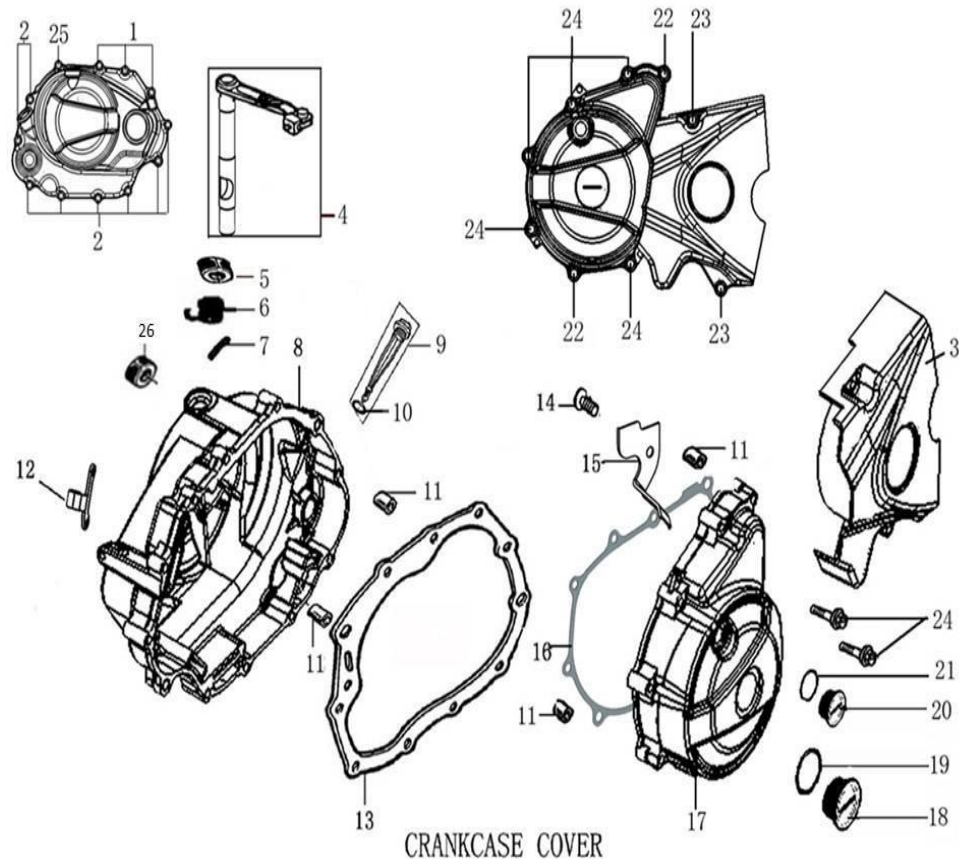
CYLINDER HEAD ASSY/CYLINDER ASSEMBLY

VALVE MECHANISM				
NO.	(PART CODE)	PART NAME	QTY	REMARK
1	100105193	Bolt	2	
2	100105158	Nut Valve Clearance	2	
3	100105168	Screw,Valve Clearance	2	
4	100200345	Rocker Arm	2	
5	100200371	Rocker Shaft	2	
6	100303225	Support Of Upper Rocker Arm	1	
7	100100911	Pin,φ6×10	2	
8	100105183	Rocker Arm Assembly Valve	1	
9	100105320	Valve Locker	4	
10	100200691	SpRing,Seat	2	
11	100200726	Inner SpRing,Assy	2	
12	100062531	Seal Valve Stem	2	
13	100200702	Outer Valve SpRing,Retainer	2	
14	100200637	Exhaust Valve	1	
15	100200588	Intake Valve	1	
16	100200182	Gamp Shaft Comp	1	
17	100011264-0003	Bolt, M6×16	2	
18	100053423	Stop Plate Camshaft	1	
19	100200498	Guide Plate Chain	1	
20	100072152	Timing Driven Sprocket	1	
21	100011171-0002	Bolt, M6×12	2	
22	100105099	Sproket Chain	1	
23	100200474	Tension Plate Assy	1	
24	100208744	Gasket Tensioner	1	
25	100200522-0024	Chain Tensioning Wheel	1	
26	100055588-0006	Bolt, M6×20	2	
27	100202745	Assembly Chain Protect Plate	1	
28	100011279-0002	Bolt, M6×70	1	
29	100100868	Dowel Pin,φ8×14×φ6.3	1	
30	100107799	O-Ring,φ6.5×1.8	1	
31				
32				
33				
34				
35				
36				
37				
38				
39				
40				
41				
42				
43				
44				
45				

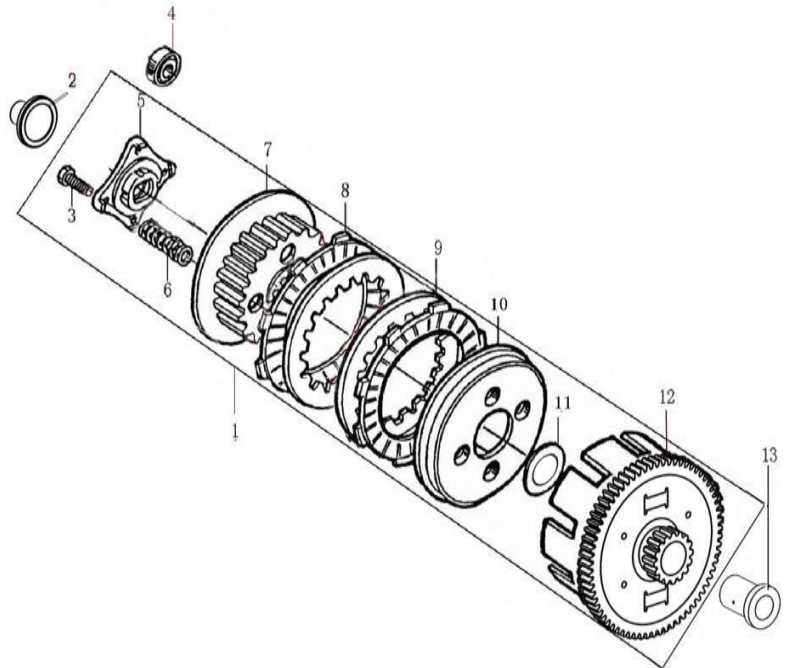


VALVE MECHANISM

CRANKCASE COVER				
NO.	(PART CODE)	PART NAME	QTY	REMARK
1	100011536-0002	Bolt, M6×30	3	
2	100011538-0003	Bolt, M6×40	8	
3	100202488-0024	Back Part L.Crankcase Cover	1	
4	100203168-0004	Controlling Arm Assembly Clutch	1	
5	100066854	Oil Seal 12×18×5	1	
6	100103443	Clutch Controlling Arm Spring	1	
7	100100636-0001	Clutch Lever Pin	1	
8	100206203-0144	Cover Comp Right Crankcase	1	
9	100104883	Oil Ruler Assy	1	
10	100031573	O-Ring,φ18×3	1	
11	100100868	Dowel Pin,φ8×14×φ6.3	4	
12	100203104-0004	Holder Clutch Cable	1	
13	100208654	Gasket R.Crankcase Cover	1	
14	100055591-0006	Bolt, M6×12	1	
15	100206191	Fixing Plate Magneto Cable	1	
16	100208524	Gasket L.Crankcase Cover	1	
17	100204853-0012	Front Part,L.Crankcase Cover	1	
18	100103062-0056	Cap Big View Hole	1	
19	100107733	O-Ring,φ27.4×2.65	1	
20	100103059-0064	Cap Small View Hole	1	
21	100138362	O-Ring, φ13.2×2.65	1	
22	100011539-0001	Bolt, M6×45	2	
23	100011536-0002	Bolt, M6×30	2	
24	100011537-0002	Bolt, M6×35	7	
25	100011537-0002	Bolt, M6×35	1	
26	100104735	Oil Seal 16×28×7	1	
27				
28				
29				
30				
31				
32				
33				
34				
35				
36				
37				
38				
39				
40				
41				
42				
43				
44				
45				

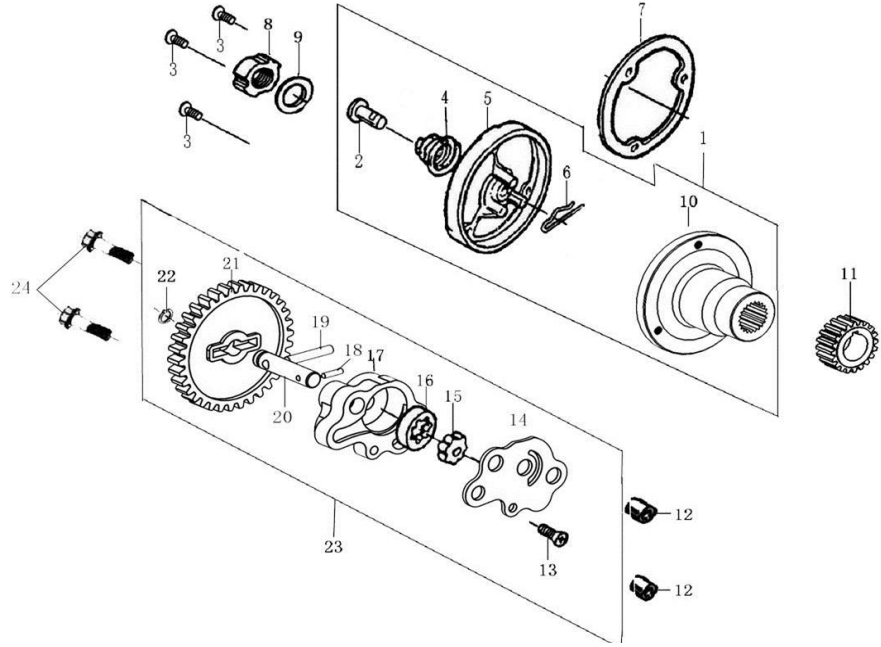


CLUTCH ASSY				
NO.	(PART CODE)	PART NAME	QTY	REMARK
1	100202833	CLUTCH ASSY	1	
2	100203082	PUSHING ROD, CLUTCH	1	
3	100011533-0005	BOLT M6×22	4	
4	100010669	BEARING (6003)	1	
5	100202938	END COVER,CLUTCH	1	
6	100103394	SPRING, CLUTCH	4	
7	100202920	CENTER SLEEVE,CLUTCH	1	
8	100203033	DRIVE FRICTION DISK	5	
9	100203061	OUTER FRICTION DISK A	4	
10	100202952	PRESSURE PLATE, CLUTCH	1	
11	100103342	WASHER	1	
12	100202996	OUT CASE ASSEMBLY,CLUTCH	1	
13	100103354	SLEEVE,CLUTCH	1	
14				
15				
16				
17				
18				
19				
20				
21				
22				
23				
24				
25				
26				
27				
28				
29				
30				
31				
32				
33				
34				
35				
36				
37				
38				
39				
40				
41				
42				
43				
44				
45				



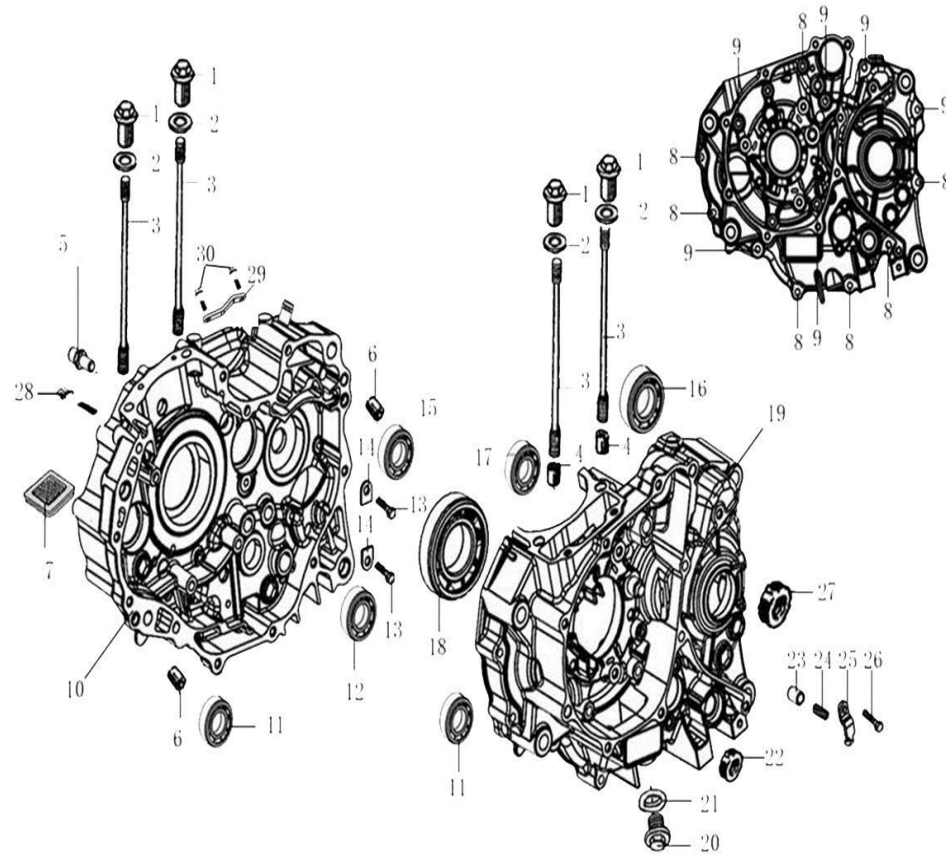
CLUTCH ASSY

OIL PUMP/OIL FILTER				
NO.	(PART CODE)	PART NAME	QTY	REMARK
1	100053714	Oil Filter Comp	1	
2	100072890	Oil Pipe	1	
3	100010978-0001	Screw, M5x12	3	
4	100104844	SpRing, Oil Pipe	1	
5	100104848	Oil Filter Cover	1	
6	100104850	Open Pin	1	
7	100104599	Gasket Oil Filter	1	
8	100100514	Lock Nut Clutch	1	
9	100103344	Dish Washer, Clutch	1	
10	100053715	Rotor Ass. Of Oil Filter	1	
11	100103496	Primary Drive Gear	1	
12	100100868	Dowel Pin, $\phi 8 \times 14 \times \phi 6.3$	2	
13	100010945-0002	Screw, M4x8	1	
14	100204512	Oil Pump Cover	1	
15	100100190	Inner Rotor Oil Pump	1	
16	100100200	Outer Rotor Oil Pump	1	
17	100204555	Oil Pump Body	1	
18	100032890	Pin, $\phi 2.5 \times 10$	1	
19	100032894	Pin, $\phi 4 \times 24$	1	
20	100204492	Shaft Oil Pump	1	
21	100100134	Gear Oil Pump	1	
22	100011111	Retaining Ring, 6	1	
23	100100056	Oil Pump Assy	1	
24	100011537-0002	Bolt, M6x35	2	
25				
26				
27				
28				
29				
30				
31				
32				
33				
34				
35				
36				
37				
38				
39				
40				
41				
42				
43				
44				
45				



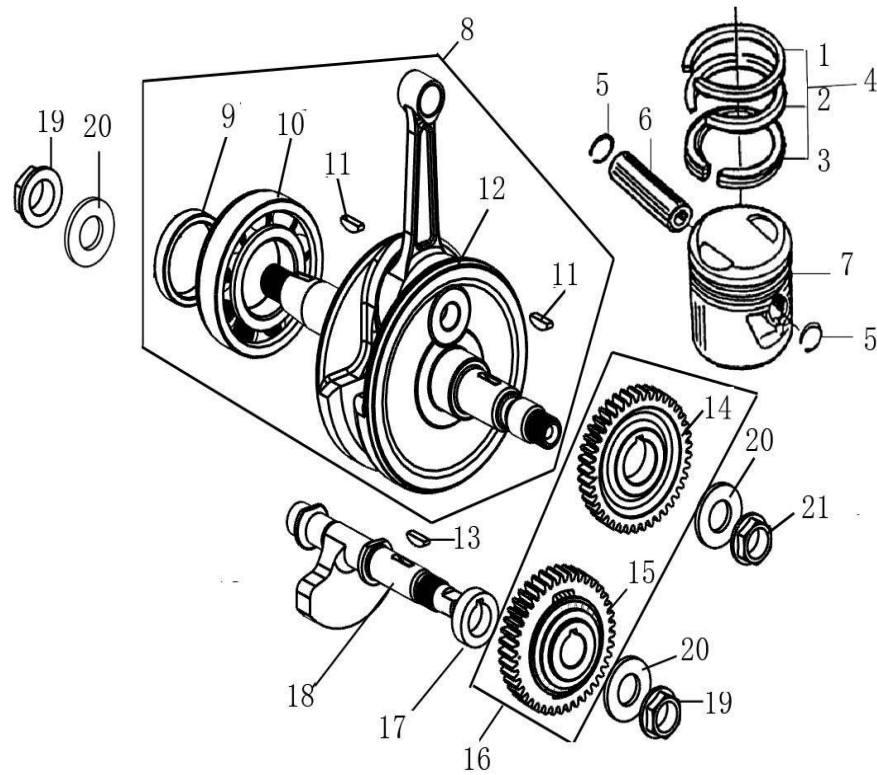
OIL PUMP/OIL FILTER

CRANKCASE				
NO.	(PART CODE)	PART NAME	QTY	REMARK
1	100100537-0002	Nut	4	
2	100106609	Washer,φ12.5×2×φ22	4	
3	100100253	Cylinder Stud Bolt A	4	
4	100010556	Pin,φ10×12	2	
5	100100396	Bolt Return Springn Fixing,M8×30	1	
6	100100868	Dowel Pin,φ8×14×φ6.3	2	
7	100104941	Strainer Oil Filter	1	
8	100011273-0003	Bolt, M6×40	7	
9	100011279-0002	Bolt, M6×70	6	
10	100052343-0013	Right Crankcase Block	1	
11	100100984	BeaRing,(6202)	2	
12	100101149	BeaRing,(6203_P63)	1	
13	100011264-0003	Bolt, M6×16	2	
14	100053140	Pressure Plate Bearing	2	
15	100101050	BeaRing,(6303X3_Rs)	1	
16	100101245	BeaRing,(Tm6204)	1	
17	100101235	BeaRing,(6201_Rs)	1	
18	100101111	BeaRing,(63/28_X2H)	1	
19	100052342-0035	Left Crankcase Block	1	
20	100100331-0006	Oil Drain Plug	1	
21	100106548	Washer,φ12.1×2×φ20	1	
22	100300424	Oil Seal 14×22×5	1	
23	100102998	Pressing Pin,Body Upper Pin	1	
24	100103003	Pressing Pin,Body Spring	1	
25	100053422	Pressing Pin,Body Stop Plate	1	
26	100055589-0006	Bolt, M6×16	1	
27	100104702	Oil Seal 20×34×7	1	
28	100011539-0001	Bolt, M6×45	1	
29	100303334	Stopper Kick Starter	1	
30	100011264-0003	Bolt, M6×16	2	
31				
32				
33				
34				
35				
36				
37				
38				
39				
40				
41				
42				
43				
44				
45				



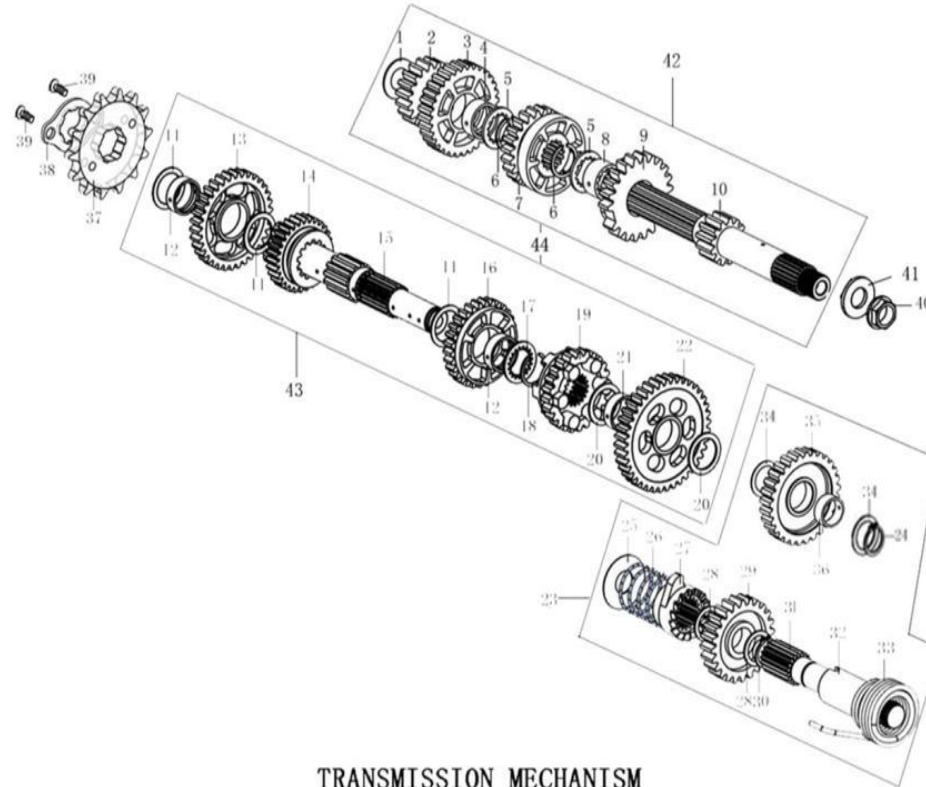
CRANKCASE

CRANKSHAFT CONNECTING-ROD ASSY/PISTON				
NO.	(PART CODE)	PART NAME	QTY	REMARK
1	100057932	Piston Ring,1	1	
2	100057931	Piston Ring,2	1	
3	100057930	Oil Ring,Assy	1	
4	100304485	Piston Ring,Comp	1	
5	100100584	Check Ring Piston Pin	2	
6	100101527	Pin,Piston	1	
7	100057933	Piston	1	
8	100206916-0001	Crankshaft Connecting-Rod Assy	1	
9	100103572	Crankshaft Tube	1	
10	100101138	BeaRing,(Tmt6207Ya9_P5Cs20)	1	
11	100100643	Semicircular Key	2	
12	100207129	Connecting Rod Comp 3	1	
13	100100640	Semicircular Key	1	
14	100091808	Driving Gear	1	
15	100091807	Driven Gear Ass	1	
16	100085749	Drive Gear Set Balance Shaft	1	
17	100103569	Balance Shaft Bush	1	
18	100207225	Balance Shaft	1	
19	100100545-0001	Nut M14×1.25×11	2	
20	100106364	Washer,φ14.5×2.8×φ29	3	
21	100053886	Lock Nut Clutch	1	
22				
23				
24				
25				
26				
27				
28				
29				
30				
31				
32				
33				
34				
35				
36				
37				
38				
39				
40				
41				
42				
43				
44				
45				



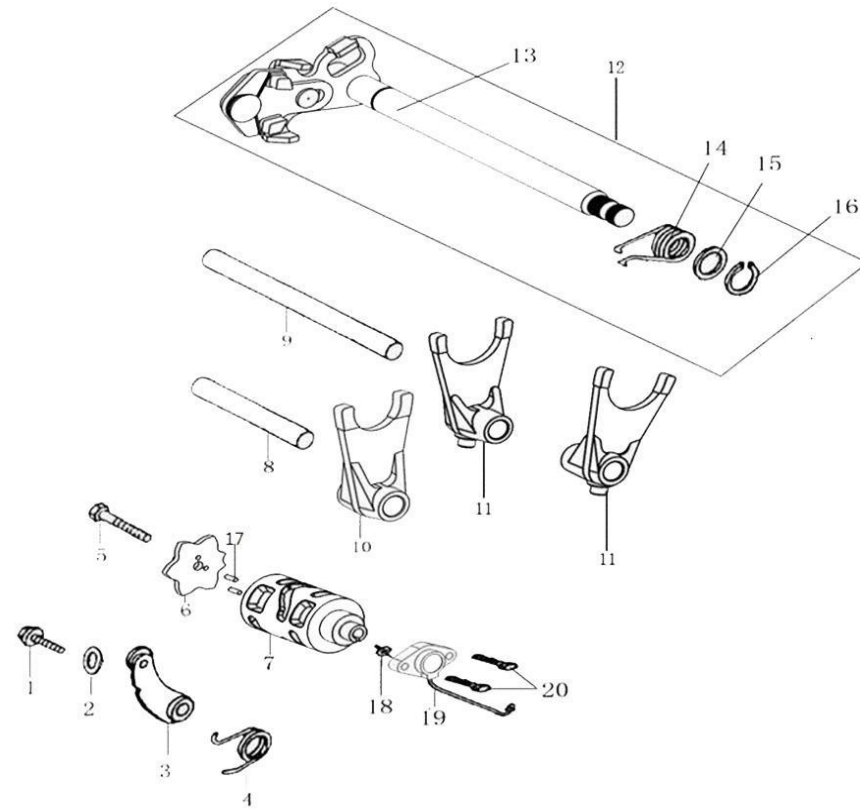
CRANKSHAFT CONNECTING-ROD ASSY/PISTON

TRANSMISSION MECHANISM				
NO.	(PART CODE)	PART NAME	QTY	REMARK
1	100106503	WASHER 12.2×1×22.5	1	
2	100103619	GEAR M-2	1	
3	100103623	GEAR M-5	1	
4	100103655	BUSH	1	
5	100103648	WASHER	2	
6	100100595	CIRCLI φ15.5×1.2×φ19	2	
7	100103620	GEAR M-3	1	
8	100103654	BUSH	1	
9	100103621	GEAR M-4	1	
10	100148341	TRANSMISSION MAIN SHAFT	1	
11	100106524	WASHER 20.1×1×27	3	
12	100103567	GEAR BUSH	2	
13	100103729	GEAR C-2	1	
14	100103733	GEAR C-5	1	
15	100203605	TRANSMISSION COUNTER SHAFT	1	
16	100103730	GEAR C-3	1	
17	100103649	WASHER	1	
18	100100629	CHECK RING	1	
19	100103731	GEAR C-4	1	
20	100106520	WASHER 17.2×1.2×26	2	
21	100103566	GEAR BUSH	1	
22	100103728	GEAR C-1	1	
23	100201878	KICK STARTING SHAFT ASSEMBLY	1	
24	100011099	CIRCLIP 17	1	
25	100106408	WASHER 14.2×1×34	1	
26	100105786	SPRING, KICK STARTING RATCHET WHEEL	1	
27	100303346	STARTING RATCHET	1	
28	100106433	WASHER 16.3×1×22	2	
29	100105776	GEAR, KICK STARTER	1	
30	100011098	CIRCLIP 16	1	
31	100201916	PIVOT, KICK STARTING SHAFT	1	
32	100105731	SLEEVE	1	
33	100105747	RETURN SPRING, KICK STARTING SHAFT	1	
34	100106453	WASHER 17.3×1.2×24	2	
35	100103781	GEAR	1	
36	100201921	COLLAPSIBLE	1	
37	100103820	DRIVE SPROCKET	1	
38	100103850	FIXING PLATE,DRIVE SPROCKET	1	
39	100031911-0004	BOLT M6×10	2	
40	100106364	WASHER 14.5×2.8×29	1	
41	100053886	Lock Nut Clutch	1	
42	100103578	MAIN SHAFT, TRANSMISSION	1	
43	100203549	COUTERSHAFT TRANSMISSION	1	
44	100203330	Transmission Main Counter Shaft	1	
45				



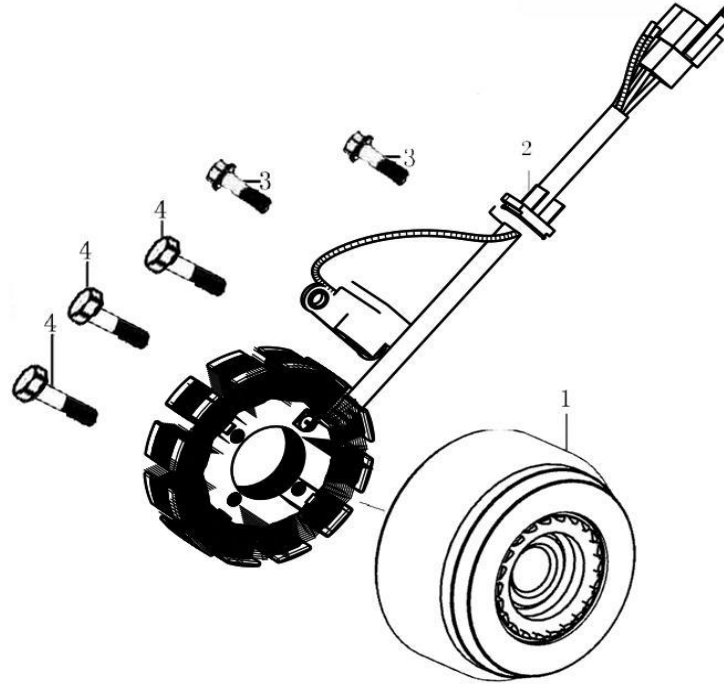
TRANSMISSION MECHANISM

GEARSHIFT MECHANISM				
NO.	(PART CODE)	PART NAME	QTY	REMARK
1	100100389	Bolt Fixing Plate	1	
2	100106373	Washer,φ6.2×1×φ14	1	
3	100203962	Locating Plate Assy	1	
4	100103986	SpRing, Locating Plate	1	
5	100011174-0004	Bolt, M6×20	1	
6	100053426	Stopping Plate	1	
7	100203796	Gearshift Drum Comp	1	
8	100203759	Shaft Gearshift Fork	1	
9	100203761	Guide Pin,Selector Fork Center	1	
10	100203750	Center Fork,Mainshaft	1	
11	100203722	Right Fork Countershaft	2	
12	100203888	Gearshift Lever Comp	1	
13	100203916	Gearshift Shaft Comp	1	
14	100103972	Return Spring	1	
15	100300796	Washer,φ14×1×φ21	1	
16	100011096	Retaining Ring, 14	1	
17	100100887	Pin φ3×8.5	2	
18	100120663	Contact Cearindication	1	
19	100104500-0002	Gearshift Switch Lamp	1	
20	100011268-0003	Bolt, M6×25	2	
21				
22				
23				
24				
25				
26				
27				
28				
29				
30				
31				
32				
33				
34				
35				
36				
37				
38				
39				
40				
41				
42				
43				
44				
45				



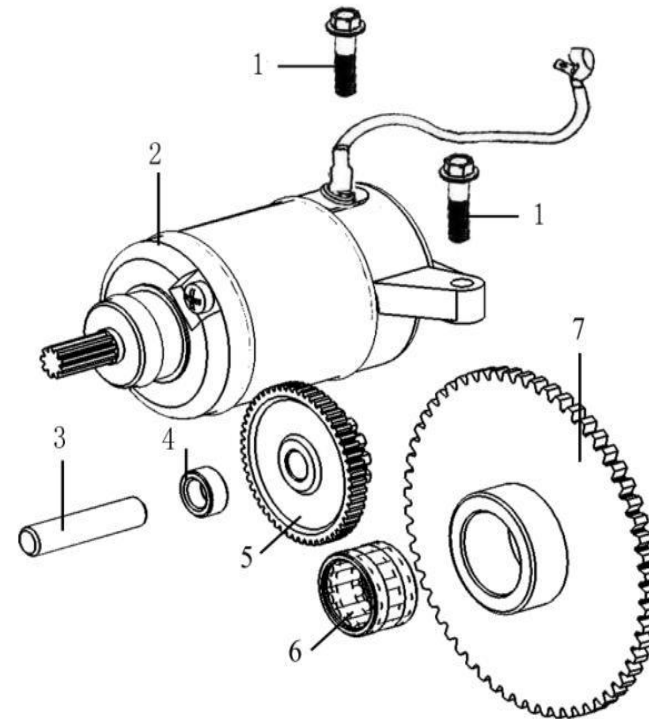
GEARSHIFT MECHANISM

MAGNETO COMP				
NO.	(PART CODE)	PART NAME	QTY	REMARK
1	100205285	Rotor Assy Magneto	1	
2	100205137-0007	Stator Assy Magneto	1	
3	100055589-0006	Bolt, M6×16	2	
4	100011170-0003	Bolt, M5×25	3	
5				
6				
7				
8				
9				
10				
11				
12				
13				
14				
15				
16				
17				
18				
19				
20				
21				
22				
23				
24				
25				
26				
27				
28				
29				
30				
31				
32				
33				
34				
35				
36				
37				
38				
39				
40				
41				
42				
43				
44				
45				



MAGNETO COMP

ELECTRIC STARTING MECHANISM				
NO.	(PART CODE)	PART NAME	QTY	REMARK
1	100011268-0003	Bolt, M6×25	2	
2	100104241-0039	Starting Motor Assy	1	
3	100053424	Shaft Reduction	1	
4	100103244	Reduction Shaft Sleeve	1	
5	100053425	Twin Gear Set	1	
6	100101017	Needle BeaRing,(K22×29×17)	1	
7	100202731	Plate Gear Assy	1	
8				
9				
10				
11				
12				
13				
14				
15				
16				
17				
18				
19				
20				
21				
22				
23				
24				
25				
26				
27				
28				
29				
30				
31				
32				
33				
34				
35				
36				
37				
38				
39				
40				
41				
42				
43				
44				
45				



ELECTRIC STARTING MECHANISM