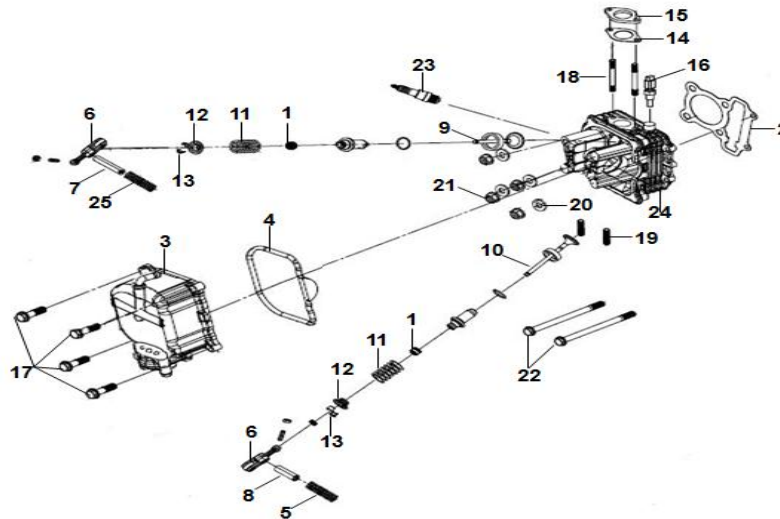


N O	MODEL	XC20W1-MYC(JET 14 200/X9L)						
	DATE		Nov-16	Nov-16	Sep-16	Nov-16	Nov-16	Mar-18
	BASIC COLOR		RD	BP	WA	AJ	KC	AG
	COLOR CODE		R-010CA	BU-289S	WH-006	BR-497U	BK-007U	GY-010U
	Description	Parts Number	RED	BLUE	WHITE	BROWN	BLACK	GRAY
1	R FR. COVER	64301-X8A-000	RD	BP	WA	AJ	KC	AG
2	L FR. COVER	64302-X8A-000	RD	BP	WA	AJ	KC	AG
3	R BODY COVER	83500-X8A-000	RD	BP	WA	AJ	KC	AG
4	L BODY COVER	83600-X8A-000	RD	BP	WA	AJ	KC	AG
5	RR. CENTER COVER	83650-X8A-000	RD	BP	WA	AJ	KC	AG
6	R RR. SIDE COVER	83530-X8A-000	AE	AE	AE	AE	AE	AE
7	L RR. SIDE COVER	83630-X8A-000	AE	AE	AE	AE	AE	AE
8	R BODY LOWER COVER	83510-X8A-000	AE	AE	AE	AE	AE	AE
9	L BODY LOWER COVER	83610-X8A-000	AE	AE	AE	AE	AE	AE
10	WIND SCREEN GARNISH	67110-X8A-000	AE	AE	AE	AE	AE	AE
11	FR. FENDER	61100-X8A-000	K	K	K	K	K	K
12	METER UP COVER	53208-X9B-000	•	•	•	•	•	•
13	R BACK MIRROR	88110-XPA-000	K	K	K	K	K	K
14	L BACK MIRROR	88120-XPA-000	K	K	K	K	K	K
15	RR. CUSHION	52400-AR1-010	K-C	K-C	K-C	K-C	K-C	K-C
16	FR. R CUSHION	51400-X8A-000	K-C	K-C	K-C	K-C	K-C	K-C
17	FR. L CUSHION	51500-X8A-000	K-C	K-C	K-C	K-C	K-C	K-C
19	RR. CARRIER	81200-X8A-000	K	K	K	K	K	K
20	RURO 4 STRIPE	87121-ANT-000	•	•	•	•	•	•
21	BODY COVER EMBLEM	87128-X8A-000	•	•	•	•	•	•
22	R. SIDE COVER STRIPE	87131-X8A-000	T3	T5	T1	T4	T2	T2
23	L. SIDE COVER STRIPE	87132-X8A-000	T3	T5	T1	T4	T2	T2
24	RH. Inner box garnish	81133-X8A-000	AE	AE	AE	AE	AE	AE
25	LH. Inner box garnish	81143-X8A-000	AE	AE	AE	AE	AE	AE
26	RURO 4 STRIPE	87145-U43-000	•	•	•	•	•	•
27	FR. COVER LID EMBLEM	87552-L6G-900	•	•	•	•	•	•
28	R/L.UNDER SPOILER STRIPE	87130-X9A-000	•	•	•	•	•	•
29	EXH MUFFLER	18000-X9A-000	K-C	K-C	K-C	K-C	K-C	K-C
30	FR. BRAKE	4550A-X9A-000	•	•	•	•	•	•
31	RR BRAKE ASS'Y	4350A-X9A-000	•	•	•	•	•	•
32	HNDL. PIPE UP. HOLDER	53131-AWU-000	KH	KH	KH	KH	KH	KH
33	FRAME NUMBER LID	64318-ALA-000	BK	BK	BK	BK	BK	BK
34	L. CRANK CASE COVER	11341-XMA-020	K1	K1	K1	K1	K1	K1

E02
CYLINDER HEAD

XC20W1-MYC(JET 14 200/X9L)



Pictures reference only

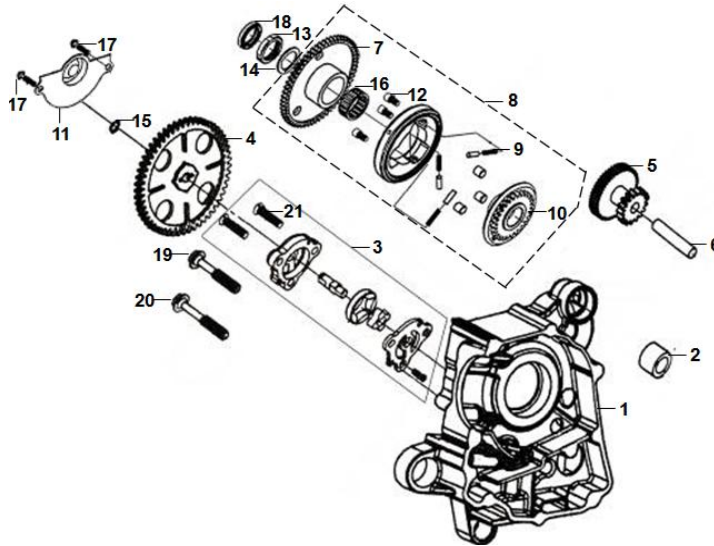
NO	PARTS NUMBER	DESCRIPTION	QTY	
01	12209-H6B-900	Valve stem seal	2	
02	12251-XJA-000	Cylinder head gasket	1	
03	12310-A61-000	Cylinder head cover COMP	1	
03-1	12302-ANL-000	Breather separate plate	1	
03-2	12308-Z2D-000	Separate plate gasket	1	
04	12391-F8A-000	Head cover packing	1	
05	14439-F62-010	Rocker arm torsion spring	1	
06	1443A-ANL-010	Valve rocker arm ASSY.	2	
07	14451-ANL-000	IN. rocker arm shaft	1	
08	14452-ANL-000	EXH. rocker arm shaft	1	
09	14711-F8A-000	IN. valve	1	
10	14721-F8A-000	EXH. valve	1	
11	14751-ARA-000	Valve spring	2	
12	14771-F6C-A00	Retainer valve spring	2	
13	14781-A01-A00-A	Valve cotter	1	
14	16201-Z2D-000	CARB. insulator gasket	2	
15	16211-ANL-010	CARB. insulator	1	
16	37880-Z5C-000-M1	CYL. head TEMP. sensor	1	
17	93903-34180	Tapping screw 4*8	5	
18	90033-M92-000	STUD bolt 6*55	2	
19	90034-HMA-000	Special STUD bolt 8*40	2	
20	90442-028-000	Sealing washer 8MM	4	
21	94050-08080	Flange nut 8MM	4	
22	96001-06095-08	Flange sh bolt 6*95	2	
23	1PCR7HSA	PLUG. spark(NGK CR7HSA)	1	
24	1220C-XMA-000	Cylinder head ASSY	1	
25	14439-XJA-000	Rocker arm torsion spring	1	

●Please check the color & stripe information according to the color index !

Jul-19

E04
R CARNK CASE&OIL PUMP ASSY

XC20W1-MYC(JET 14 200/X9L)



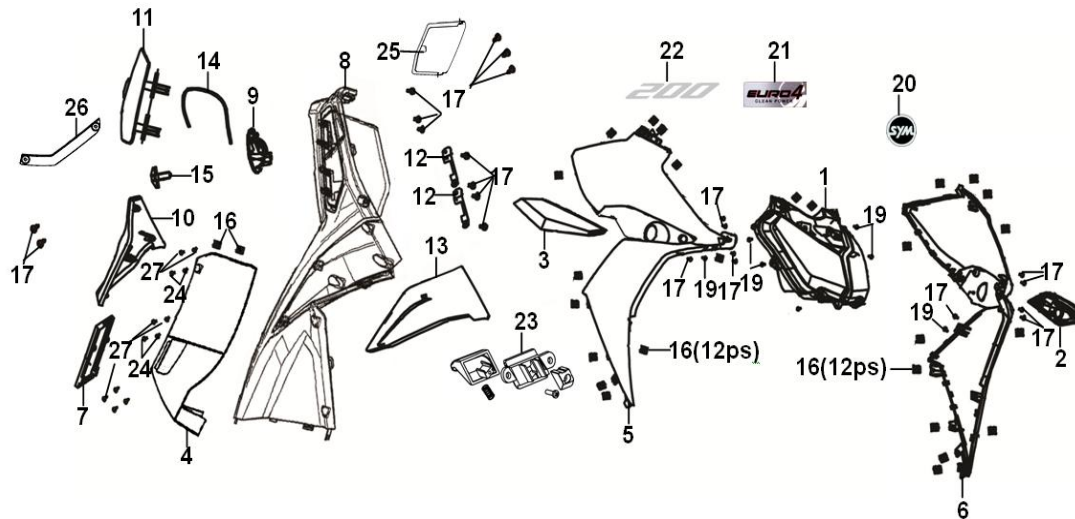
Pictures reference only

NO	PARTS NUMBER	DESCRIPTION	QTY	
01	11100-ARA-000	R. crank case COMP.	1	
02	11102-M9Q-300	ENG. hanger rubber bush	1	
03	15100-F6C-000-XS	Oil pump ASSY.	1	
04	15133-F6C-000	Oil pump driven gear	1	
05	28101-GY6-900	Starter reduction gear	1	
06	28102-GY6-900	Start. red. gear shaft	1	
07	28110-VVC-000	Start. clutch gear COMP	1	
08	2812A-XJA-000	Starting clutch outer ASSY.	1	
09	28124-XJA-000	Starter clutch roller spring	3	
10	28125-XJA-000	Starting clutch flange COMP.	1	
11	15711-M92-000	Oil pump separator	1	
12	90002-XJA-000	Flat rivet	3	
13	90201-GY6-900	Lock nut 22MM	1	
14	90403-M92-000	Thrust washer 22.2*31*1.5	1	
15	90602-N01-000	C-clip 8mm	1	
16	91104-M9Q-000-M3	Needle bearing 28*32*17	1	
17	96001-06012-08	SH. flange bolt 6X12	2	
18	91201-M9Q-300-M2	Oil seal 19.8*30*5R	1	
19	96001-06045-08	Flange bolt 6*45	1	
20	96001-06055-08	Flange bolt 6*55	1	
21	93600-06025-0H	Flate screw 6*25	2	

F03

XC20W1-MYC(JET 14 200/X9L)

Front cover • Inner box



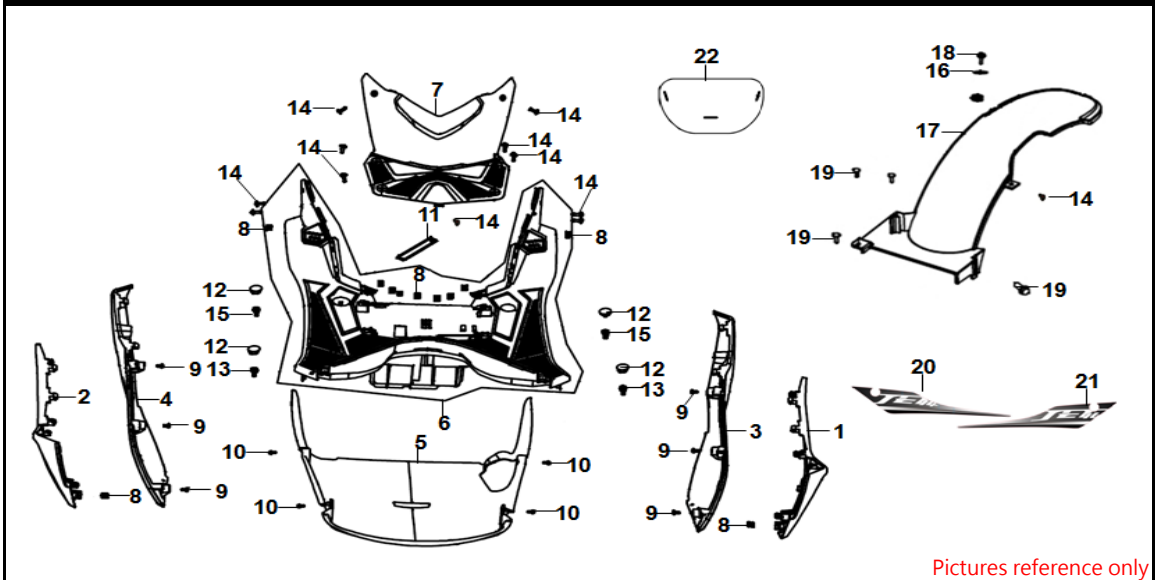
Pictures reference only

NO	PARTS NUMBER	DESCRIPTION	QTY	
01	33100-X8A-000	Head light ASSY.	1	
02	33450-X8A-000	FR. L. winker ASSY	1	
03	33400-X8A-000	FR. R. winker ASSY	1	
04	64300-X8A-000	FR. UND. cover	1	
05	64302-X8A-000-RD	L FR. COVER(R-010CA)	1	
05	64302-X8A-000-BP	L FR. COVER(BU-289S)	1	
05	64302-X8A-000-WA	L FR. COVER(WH-006)	1	
05	64302-X8A-000-AJ	L FR. COVER(BR-497U)	1	
05	64302-X8A-000-KC	L FR. COVER(BK-007U)	1	
05	64302-X8A-000-AG	L FR. COVER(GY-010U)	1	
06	64301-X8A-000-RD	R FR. COVER(R-010CA)	1	
06	64301-X8A-000-BP	R FR. COVER(BU-289S)	1	
06	64301-X8A-000-WA	R FR. COVER(WH-006)	1	
06	64301-X8A-000-AJ	R FR. COVER(BR-497U)	1	
06	64301-X8A-000-KC	R FR. COVER(BK-007U)	1	
06	64301-X8A-000-AG	R FR. COVER(GY-010U)	1	
07	64318-ALA-000-BK	Frame number lid	1	
08	81131-X8A-810	Inner box	1	
09	81132-X8A-000	Luggage hook	1	
10	81143-X8A-000-AE	LH. Inner box garnish	1	
11	81141-X8A-010	Inner box lid	1	
12	81142-X8A-000	Inner box lid garnish	2	
13	81133-X8A-000-AE	RH. Inner box garnish	1	
14	81146-X8A-000	Inner box seal	1	
15	96001-06016-04	SH. flange bolt 6*16	1	
16	90302-SA4-900	Spring nut 4mm	28	
17	93903-34340	Tapping screw 4*12	22	
18	93903-35240	Tapping screw 5*12	2	

F04

XC20W1-MYC(JET 14 200/X9L)

Floor Panel • Center Cover

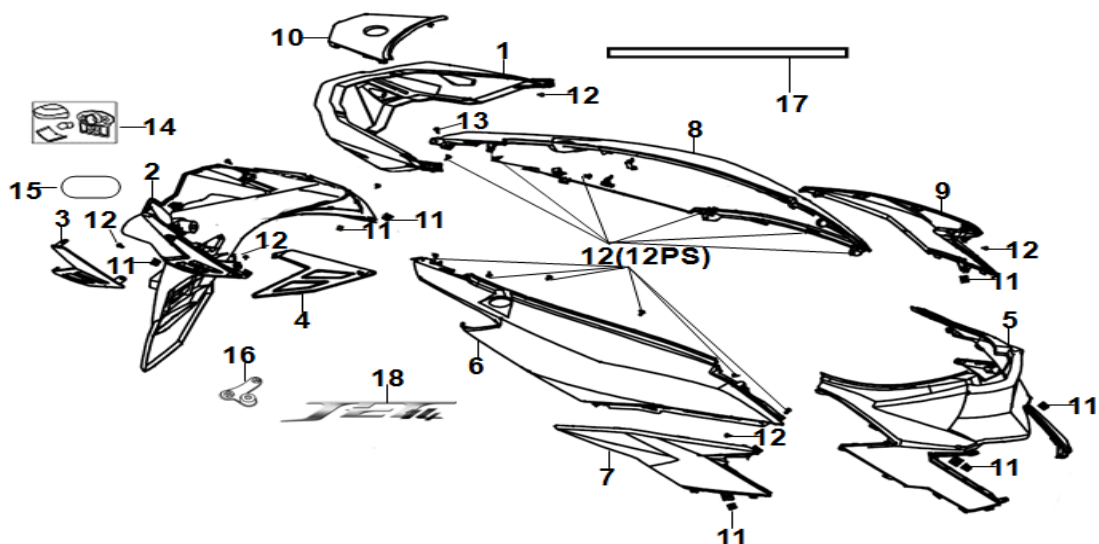


Pictures reference only

NO	PARTS NUMBER	DESCRIPTION	QTY	EFFECTIVE DATE
01	83520-X8A-000	RH. FR. side cover	1	
02	83620-X8A-000	LH. FR. side cover	1	
03	83530-X8A-000-AE	RH. RR. side cover	1	
04	83630-X8A-000-AE	LH. RR. side cover R	1	
05	50611-APA-000	Under cover	1	
06	64310-X8A-000	Floor panel	1	
07	50326-X8A-000	Battery cover	1	
08	90302-SA4-900	Spring nut 4mm	11	
09	93903-34340	Tapping screw 4*12	6	
10	93404-06016-00	Washer bolt 6*16	6	
11	50324-X8A-000	Battery band	1	
12	50612-APA-000	FLOOR STEP CAP A	4	
13	90111-AAA-000	Flange bolt 6mm (GREEN)	4	
14	90109-42168	Tapping screw 4.2*16	10	
15	93404-06030-07	Washer bolt 6*30	2	
16	64306-X01-000	Collar	1	
17	80105-X8A-000	RR. mudguard	1	
18	95801-06025-04	Flange bolt 6*25	1	
19	95801-06012-04	Flange bolt 6*12	5	
20	87131-X8A-000-T1	R. side cover stripe(WHITE)	1	
20	87131-X8A-000-T2	R. side cover stripe(BLAACL)	1	
20	87131-X8A-000-T2	R. side cover stripe(BLAACL)	1	
20	87131-X8A-000-T3	R. side cover stripe(RED)	1	
20	87131-X8A-000-T4	R. side cover stripe(COFFE)	1	
20	87131-X8A-000-T5	R. side cover stripe(BULE)	1	
21	87132-X8A-000-T1	L. side cover stripe(WHITE)	1	
21	87132-X8A-000-T2	L. side cover stripe(BLAACL)	1	
21	87132-X8A-000-T2	L. side cover stripe(BLAACL)	1	

F05
Body Cover

XC20W1-MYC(JET 14 200/X9L)



Pictures reference only

NO	PARTS NUMBER	DESCRIPTION	QTY
01	33700-X8A-000	Tail light ASSY	1
02	80100-X8A-000	RR. fender	1
03	80107-X8A-000	RH. RR. fender garnish	1
04	80108-X8A-000	LH. RR. fender garnish	1
05	80151-X8A-000	Center cover	1
06	83500-X8A-000-RD	R BODY COVER(R-010CA)	1
06	83500-X8A-000-BP	R BODY COVER(BU-289S)	1
06	83500-X8A-000-WA	R BODY COVER(WH-006)	1
06	83500-X8A-000-AJ	R BODY COVER(BR-497U)	1
06	83500-X8A-000-KC	R BODY COVER(BK-007U)	1
06	83500-X8A-000-AG	R BODY COVER(GY-010U)	1
07	83510-X8A-000-AE	R. Body lower cover	1
08	83600-X8A-000-RD	L BODY COVER(R-010CA)	1
08	83600-X8A-000-BP	L BODY COVER(BU-289S)	1
08	83600-X8A-000-WA	L BODY COVER(WH-006)	1
08	83600-X8A-000-AJ	L BODY COVER(BR-497U)	1
08	83600-X8A-000-KC	L BODY COVER(BK-007U)	1
08	83600-X8A-000-AG	L BODY COVER(GY-010U)	1
09	83610-X8A-000-AE	L. Body lower cover	1
10	83650-X8A-000-RD	RR center cover(R-010CA)	1
10	83650-X8A-000-BP	RR center cover(BU-289S)	1
10	83650-X8A-000-WA	RR center cover(WH-006)	1
10	83650-X8A-000-AJ	RR center cover(BR-497U)	1
10	83650-X8A-000-KC	RR center cover(BK-007U)	1
10	83650-X8A-000-AG	RR center cover(GY-010U)	1
11	90302-SA4-900	Spring nut 4mm	8
12	93903-34340	Tapping screw 4*12	17
13	93903-44340	Tapping screw 4*12	1
14	33740-Z6A-000	License light	1
15	33741-N7B-E10	RR. reflector	1

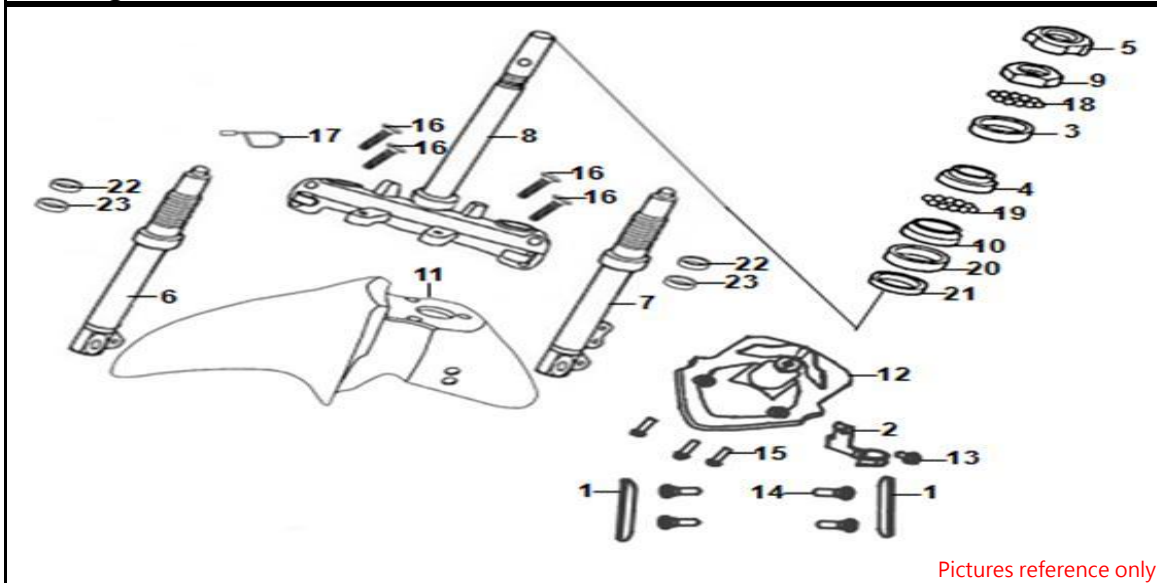
●Please check the color & stripe information according to the color index!

Jul-19

F06

XC20W1-MYC(JET 14 200/X9L)

Steering Stem • Front Cushion



Pictures reference only

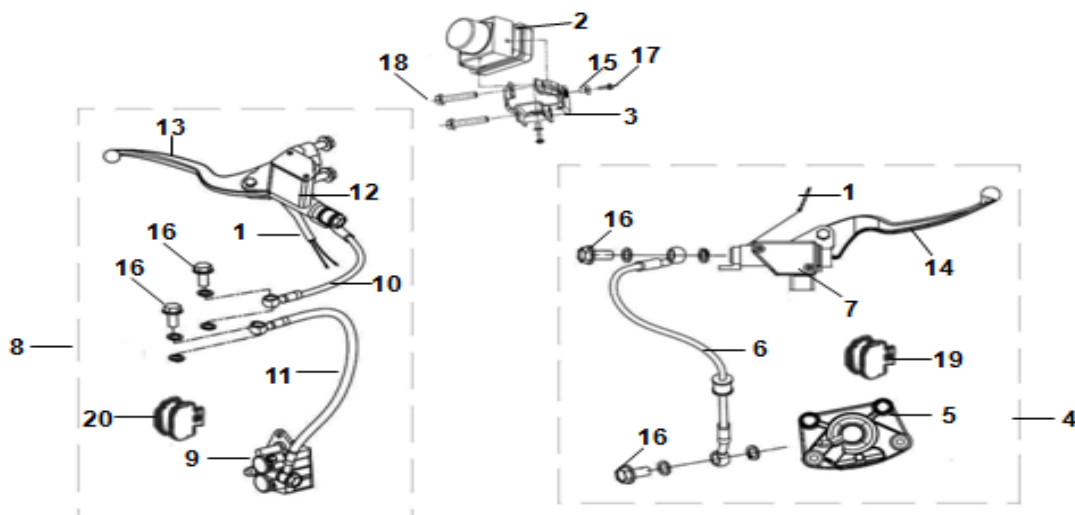
NO	PARTS NUMBER	DESCRIPTION	QTY	
01	33742-X8A-000	Side reflector	2	
02	45156-AAA-000	FR brake hose clamp	1	
03	50301-M9Q-000-XS	STRG. up race ball	1	
04	50302-M9Q-000-XS	Ball race	1	
05	50306-M9Q-000-XS	STRG. stem lock nut	1	
06	51400-X8A-000-K-C	FR. RH. cushion ASSY	1	
07	51500-X8A-000-K-C	FR. LH. cushion ASSY	1	
08	53200-X8A-000	Steering stem COMP	1	
09	53211-M9Q-000-CN2	STRG. top cone race	1	
10	53212-M9Q-000-XS	Race cone	1	
11	61100-X8A-000-K	FR. fender	1	
12	61110-X8A-000	FR. inner mudguard	1	
13	90115-G02-000	Flange bolt 6*16	1	
14	90164-AAA-000	Special screw 6mm (GREEN)	4	
15	95801-06012-04	Flange bolt 6X12	3	
16	95801-08040-04	Flange bolt 8X40	4	
17	50121-APA-300	Cable guide	1	
18	50303-AAA-000	Up steel balls and retainer ASSY	1	
19	50304-AAA-000	Lower steel balls and retainer ASSY	1	
20	53214-M9Q-000	STRG. head dust seal	1	
21	53215-M9Q-000	STRG. head dust seal washer	1	
22	51403-APA-000	Oil seal	2	
23	51404-APA-000	Dust seal	2	

●Please check the color & stripe information according to the color index !

Jul-19

F07
ABS Brake System ASSY

XC20W1-MYC(JET 14 200/X9L)

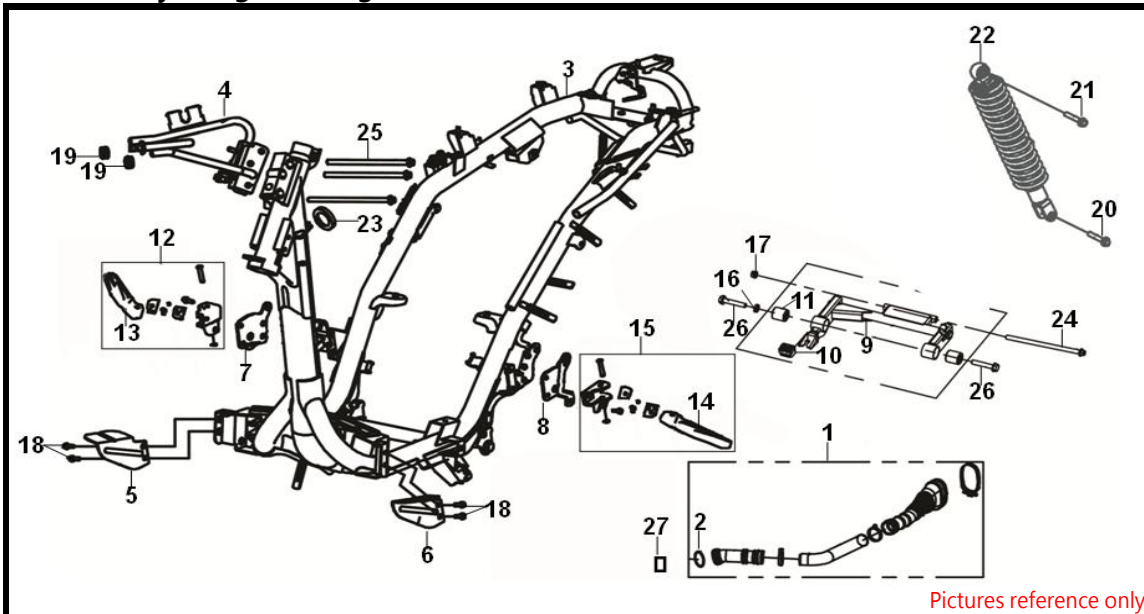


Pictures reference only

NO	PARTS NUMBER	DESCRIPTION	QTY	
01	35342-AE1-000	FR stop SW cord COMP.	2	
02	38730-XMC-000	ABS. hydraulic circuit unit(fill)	1	
03	38731-XMC-000	ABS hydraulic circuit unit support	1	
04	4350A-X9A-000	RR brake ASSY(CALIPER SILVER)	1	
05	43100-XJA-000	RR. caliper ASSY	1	
06	43126-ZAG-000	RR. brake hose COMP	1	
07	43500-ARB-010	RR. M/C ASSY	1	
08	4550A-X9A-000	FR brake ASSY	1	
09	4510A-X9A-000	FR lower brake COMP	1	
10	45124-XMC-000	FR brake hose A COMP.	1	
11	45125-X9A-000	FR brake hose B COMP.	1	
12	4550B-X9A-000	FR up brake COMP	1	
13	53175-T6V-000-XS	R. lever STRG. handle	1	
14	53178-ARB-010	L. STRG. handle lever	1	
15	61201-B9A-000	FR. fender collar	2	
16	90145-M9Q-000	Oil bolt 10*22	4	
17	95801-06018-04	Flange bolt 6*18	2	
18	95801-08045-04	Flange bolt 8X45	2	
19	43105-ARB-000-A	RR.brake pad A	1	
20	45105-APA-000-A	FR.brake pad B	1	

F17
Frame Body • Engine Hanger

XC20W1-MYC(JET 14 200/X9L)



NO	PARTS NUMBER	DESCRIPTION	QTY	EFFECTIVE DATE
01	1134C-ARA-000	L. cover duct T ASSY	1	
02	17242-M9Q-000	AIR/C duct BAND	1	
03	50100-X8A-000	Frame body COMP.	1	
04	50180-X8A-000	Front cover stay	1	
05	50181-X8A-010	Floor panel stay A	1	
06	50182-X8A-010	Floor panel stay B	1	
07	50183-X8A-000	RH. step STAY	1	
08	50184-X8A-000	LH. step STAY	1	
09	50351-ARA-010	ENG. hanger COMP	1	
10	50352-ADB-000	Link stopper rubber	1	
11	50353-M9Q-000	Swing lock bush	2	
12	50710-X8A-000	RH. pillion step ASSY	1	
13	50715-APA-000	RH. pillion step	1	
14	50718-APA-000	LH. pillion step	1	
15	50720-X8A-000	Lh. Pillion step ASSY	1	
16	90121-M9Q-900	Distance collar	1	
17	90304-AAA-000	Flange. U nut 10mm	1	
18	93404-06022	Washer bolt 6*22	4	
19	64304-X01-000	FR. cover rubber	3	
20	95801-08035-04	Flange bolt 8*35	2	
21	95801-10035-04	Flange bolt 10*35	2	
22	52400-AR1-010-K-C	Rr. Cushion ASSY	2	
23	64306-X01-000	Inner box sponge	1	
24	90105-ARA-000	Special bolt 10*191	1	
25	95801-08045-04	Flange bolt 8x45	2	
26	90106-ABA-000	Flange bolt 6*25	2	
27	11346-ABA-000	L cover duct band	1	