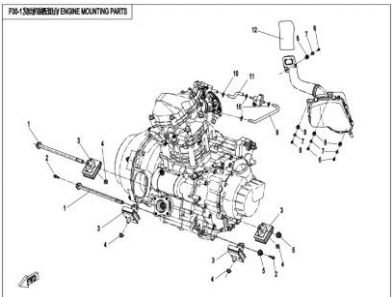
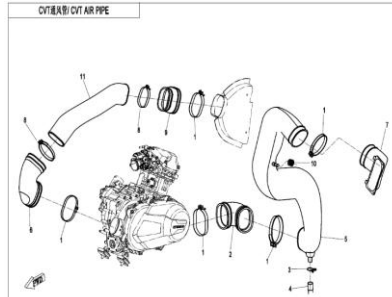
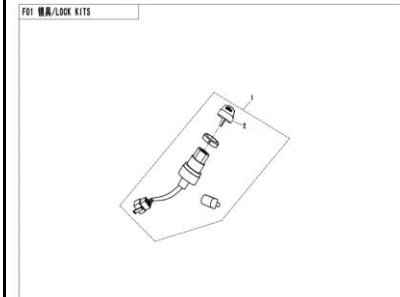
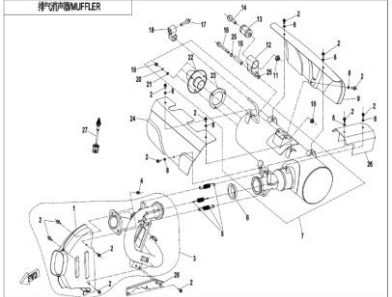
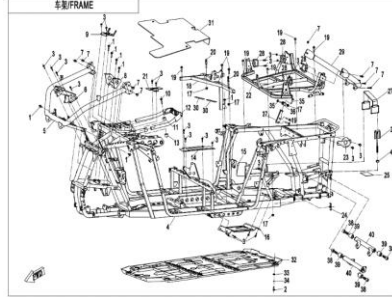
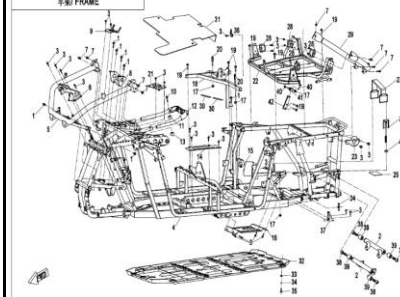
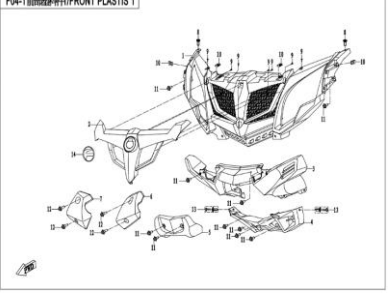
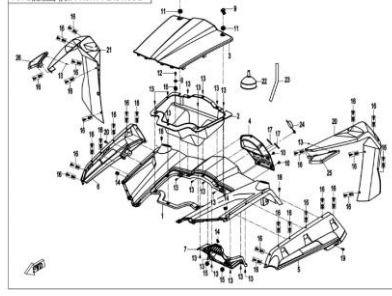
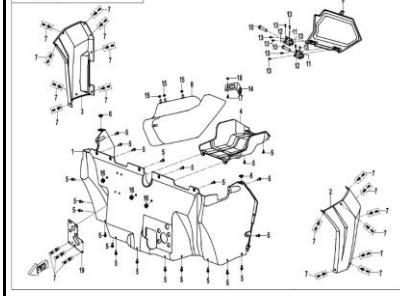
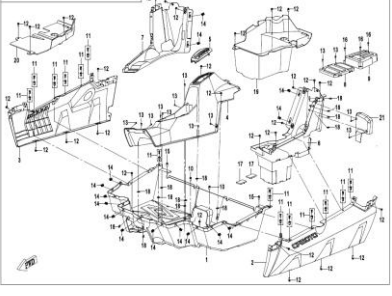
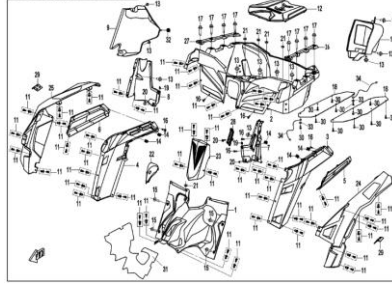
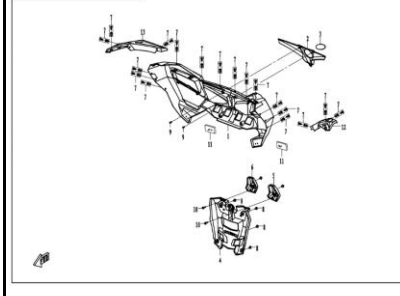
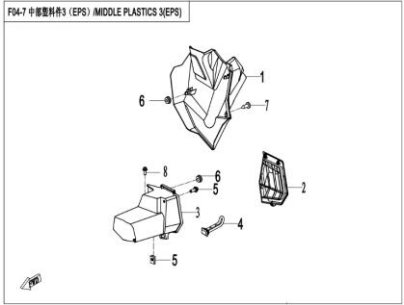
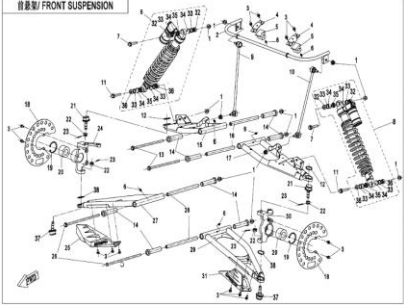
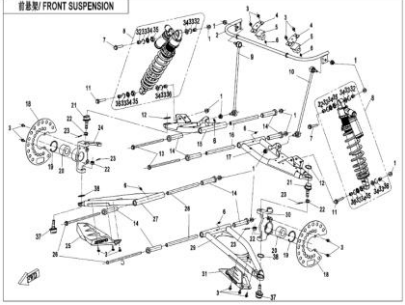
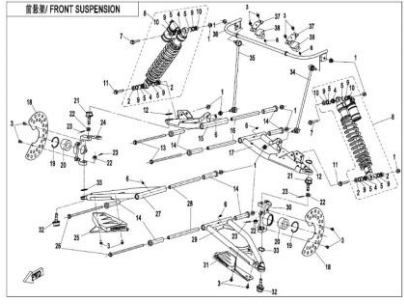
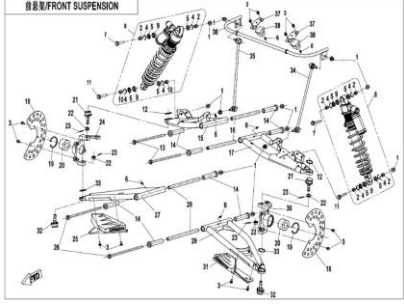
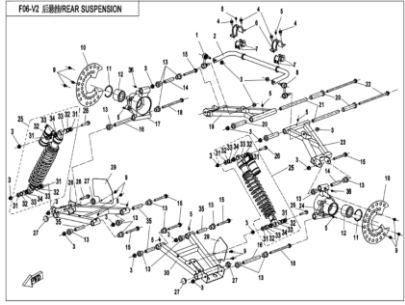
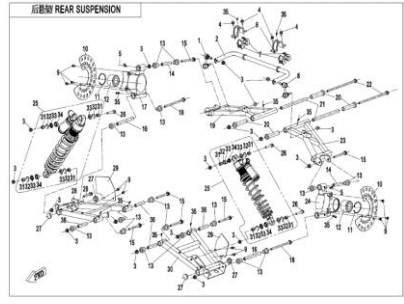
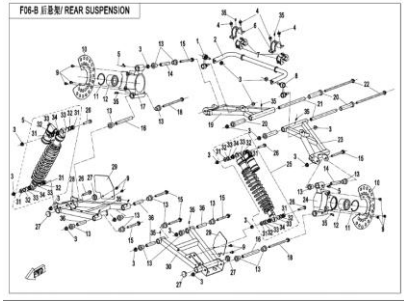
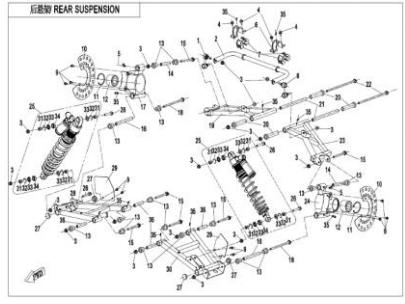
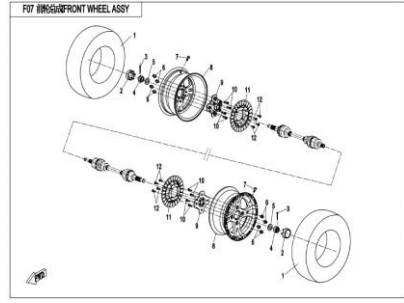
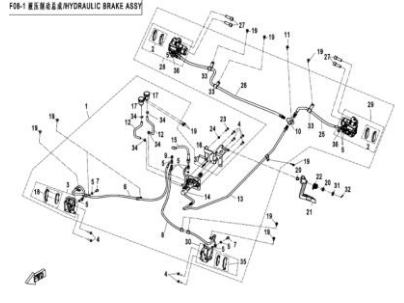
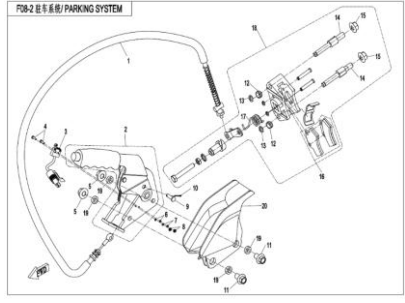


CONTENTS—FRAME GROUP

<p>F00-1</p> <p style="text-align: center;">ENGINE MOUNTING PARTS</p> 	<p>F00-2-V3</p> <p style="text-align: center;">CVT AIR PIPE</p> 	<p>F01</p> <p style="text-align: center;">LOCK KITS</p> 
<p>F02-V3</p> <p style="text-align: center;">MUFFLER</p> 	<p>F03-A-V5</p> <p style="text-align: center;">FRAME</p> 	<p>F03-B-V3</p> <p style="text-align: center;">FRAME(USA&CA)</p> 
<p>F04-1</p> <p style="text-align: center;">FRONT PLASTICS 1</p> 	<p>F04-2</p> <p style="text-align: center;">FRONT PLASTICS 2</p> 	<p>F04-3-V2</p> <p style="text-align: center;">MIDDLE PLASTICS 1</p> 
<p>F04-4-V2</p> <p style="text-align: center;">MIDDLE PLASTICS 2</p> 	<p>F04-5-V3</p> <p style="text-align: center;">REAR PLASTICS 1</p> 	<p>F04-6</p> <p style="text-align: center;">REAR PLASTICS 2</p> 

CONTENTS—FRAME GROUP

<p>F04-7</p> <p style="text-align: center;">MIDDLE PLASTICS 3(EPS)</p> 	<p>F05-A-A-V2</p> <p style="text-align: center;">FRONT SUSPENSION(2017)</p> 	<p>F05-A-B</p> <p style="text-align: center;">FRONT SUSPENSION (OIL & GAS MIX SHOCK ABSORBER)</p> 
<p>F05-B-A-V4</p> <p style="text-align: center;">FRONT SUSPENSION(2018)</p> 	<p>F05-B-B-V3</p> <p style="text-align: center;">FRONT SUSPENSION(2018,OIL SHOCK ABSORBER)</p> 	<p>F06-A-A-V2</p> <p style="text-align: center;">REAR SUSPENSION (2017)</p> 
<p>F06-A-B</p> <p style="text-align: center;">REAR SUSPENSION (OIL AND GAS MIXSHOCK ABSORBER)</p> 	<p>F06-B-A</p> <p style="text-align: center;">REAR SUSPENSION(2018)</p> 	<p>F06-B-B</p> <p style="text-align: center;">REAR SUSPENSION(2018,OIL SHOCK ABSORBER)</p> 
<p>F07</p> <p style="text-align: center;">FRONT WHEEL ASSY</p> 	<p>F08-1</p> <p style="text-align: center;">HYDRAULIC BRAKE ASSY(2017)</p> 	<p>F08-2</p> <p style="text-align: center;">PARKING SYSTEM(2017)</p> 

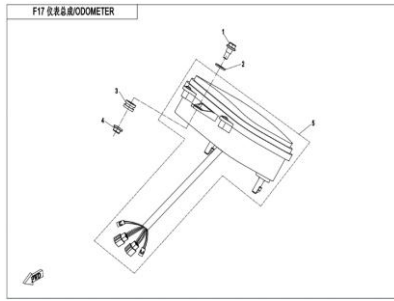
CONTENTS—FRAME GROUP

<p>F08-A</p> <p style="text-align: center;">BRAKE SYSTEM(2018)</p>	<p>F08-B</p> <p style="text-align: center;">BRAKE SYSTEM(SUMITOMO)(2018)</p>	<p>F10-A-V3</p> <p style="text-align: center;">STEERING SYSTEM</p>
<p>F10-B-V3</p> <p style="text-align: center;">STEERING SYSTEM(EPS)</p>	<p>F11</p> <p style="text-align: center;">REAR WHEEL ASSY</p>	<p>F12</p> <p style="text-align: center;">FUEL SYSTEM</p>
<p>F13</p> <p style="text-align: center;">SEAT ASSY</p>	<p>F15-1-V3</p> <p style="text-align: center;">ELECTRIC SYSTEM</p>	<p>F15-2-V1</p> <p style="text-align: center;">TOWING WINCH</p>
<p>F15-2-V2</p> <p style="text-align: center;">TOWING WINCH</p>	<p>F15-3</p> <p style="text-align: center;">FUEL INJECTION SYSTEM</p>	<p>F16</p> <p style="text-align: center;">LIGHT</p>

CONTENTS—FRAME GROUP

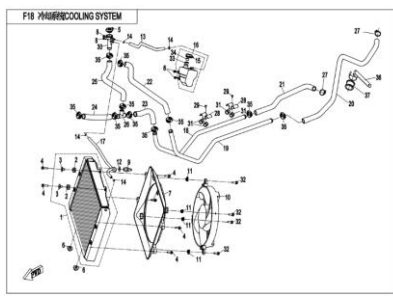
F17

ODOMETER



F18

COOLING SYSTEM



F19-1-A

DECAL,2021(LAVA ORANGE)



F19-1-B

DECAL,2021(TITANIUM GREY)



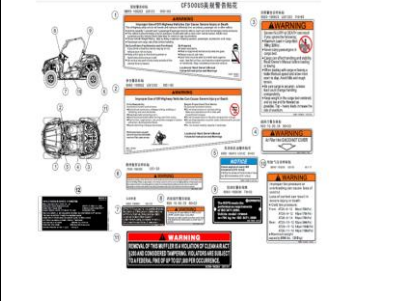
F19-2-A

WARNING DECALS(Argentina)



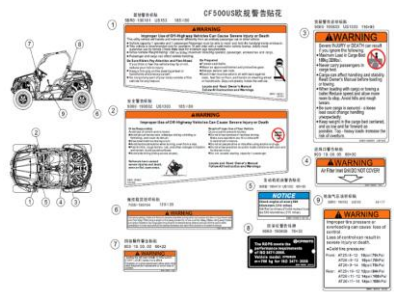
F19-2-B

DECAL(USA)



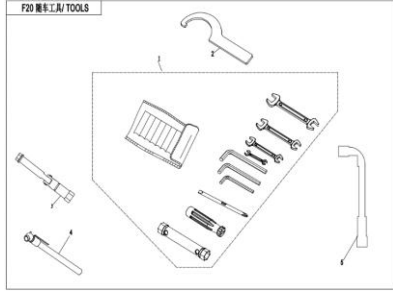
F19-2-C

WARNING DECALS(EURO)



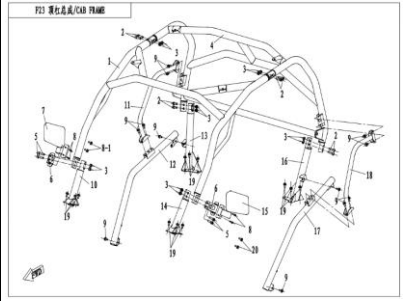
F20-V2

TOOLS



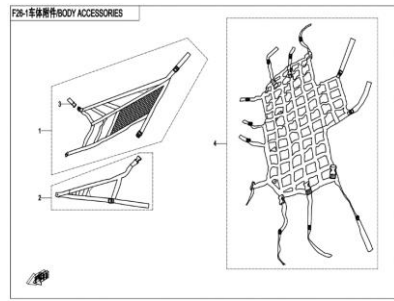
F23

CAB FRAME



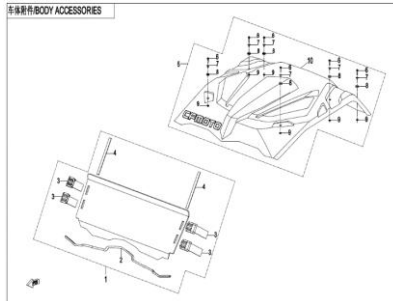
F26-1

BODY ACCESSORIES



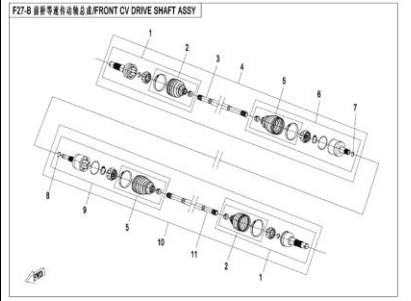
F26-2

BODY ACCESSORIES



F27-B

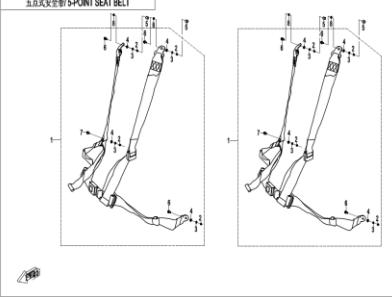
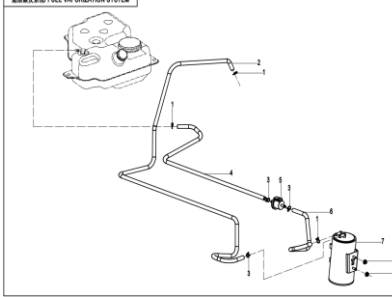
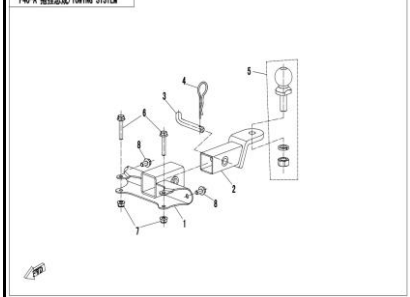
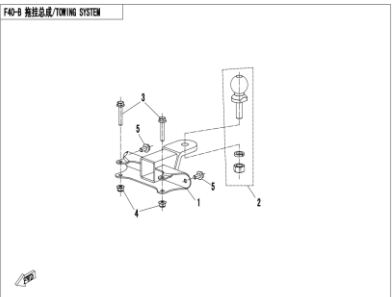
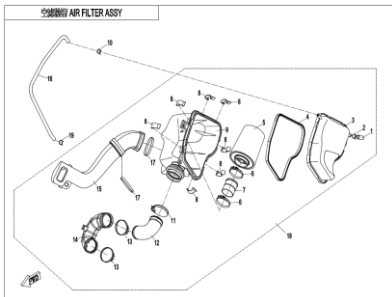
FRONT CV DRIVE SHAFT ASSY(QC)



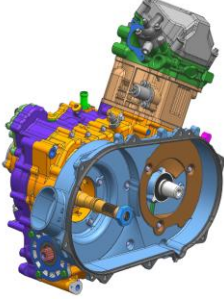
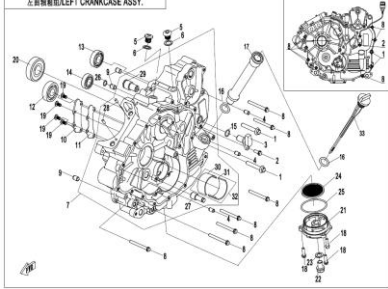
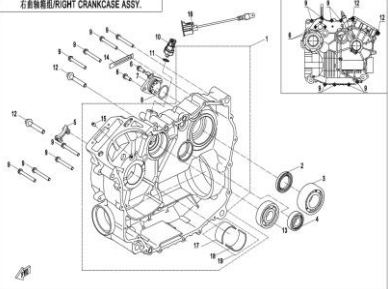
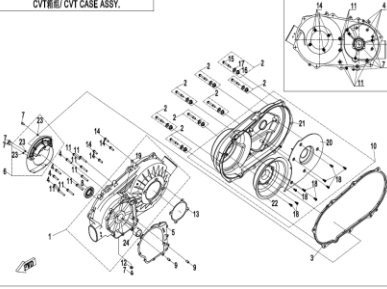
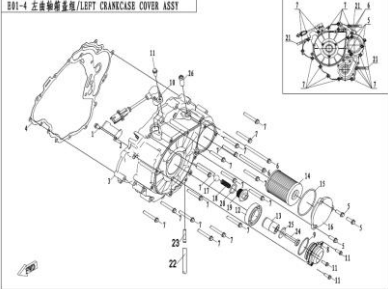
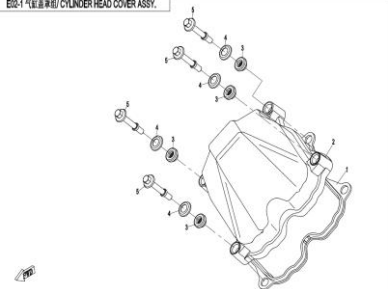
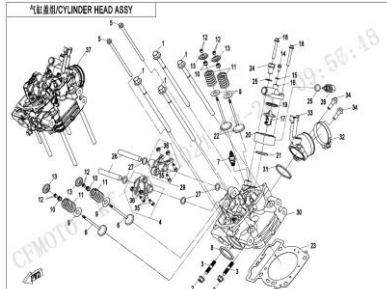
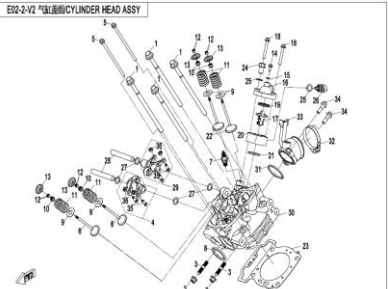
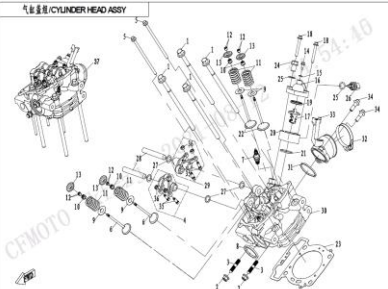
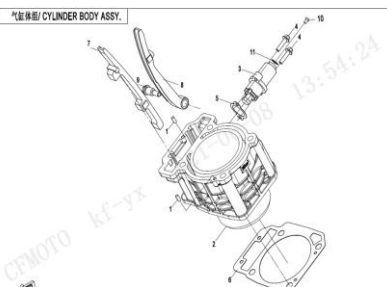
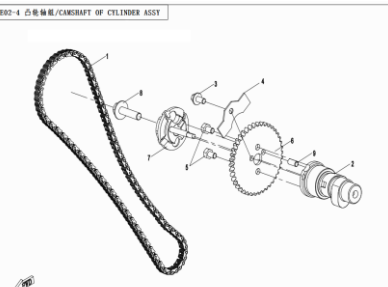
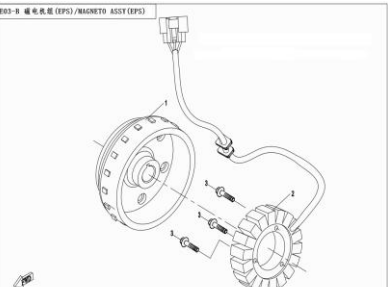
CONTENTS—FRAME GROUP

<p>F27-C FRONT CV DRIVE SHAFT ASSY(ODN)(2017)</p>	<p>F27-D FRONT CV DRIVE SHAFT(ODM)(2018)</p>	<p>F28-B REAR CV DRIVE SHAFT ASSY(QC)</p>
<p>F28-C REAR CV DRIVE SHAFT ASSY(ODN)(2017)</p>	<p>F28-D REAR CV DRIVE SHAFT(ODM)(2018)</p>	<p>F30-A POWERTRAIN SYSTEM(2017)</p>
<p>F30-B DRIVETRAIN SYSTEM(2018)</p>	<p>F31-V2 FRONT AXLE</p>	<p>F32 GEAR SHIFTING SYSTEM</p>
<p>F33-A REAR AXLE(2017)</p>	<p>F33-B-V3 REAR AXLE(NO DIFFERENTIAL)</p>	<p>F34-A-V2 3-POINT SEAT BELT</p>

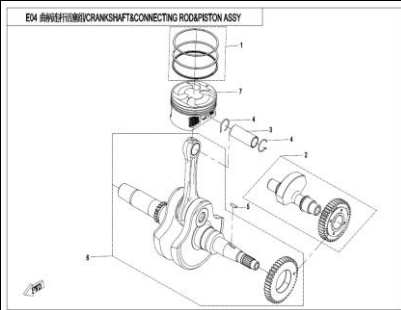
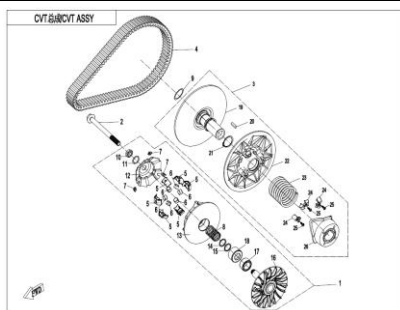
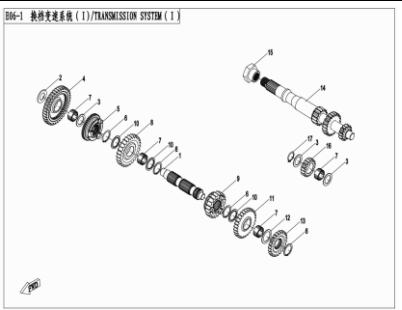
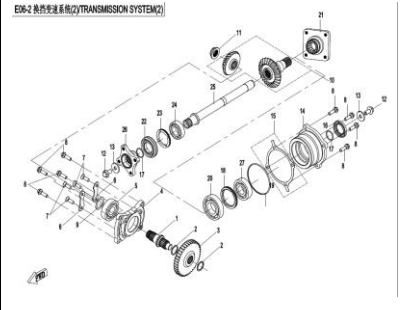
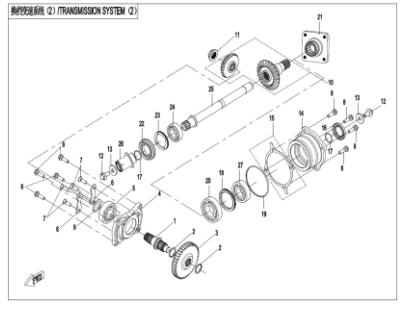
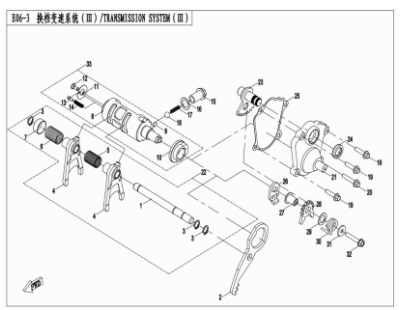
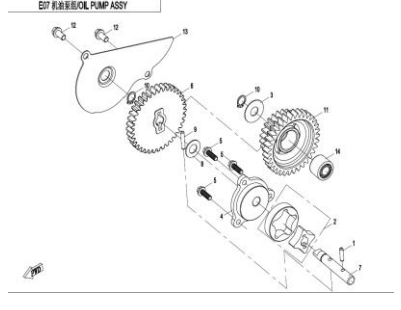
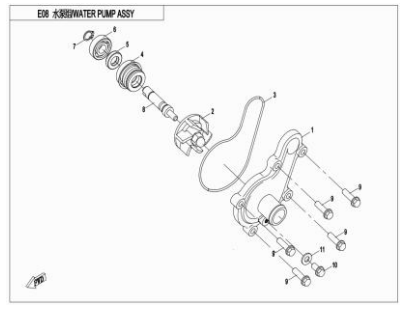
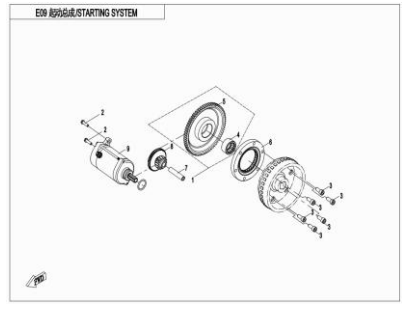
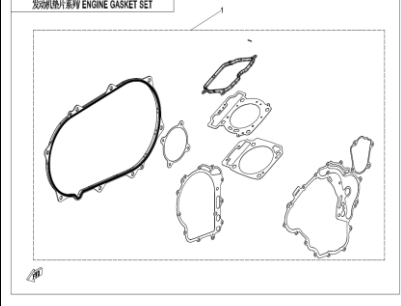
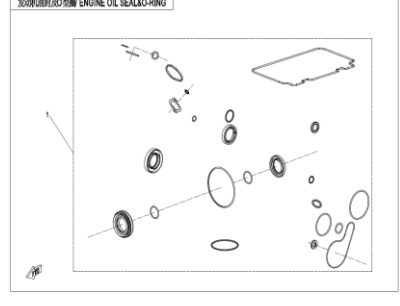
CONTENTS—FRAME GROUP

F34-B 5-POINT SEAT BELT 	F36-V2 FUEL EVAPORATION SYSTEM 	F40-A TOWING SYSTEM(SPLIT-TYPE) 
F40-B TOWING SYSTEM(INTEGRATED) 	F41 AIR FILTER ASSY 	

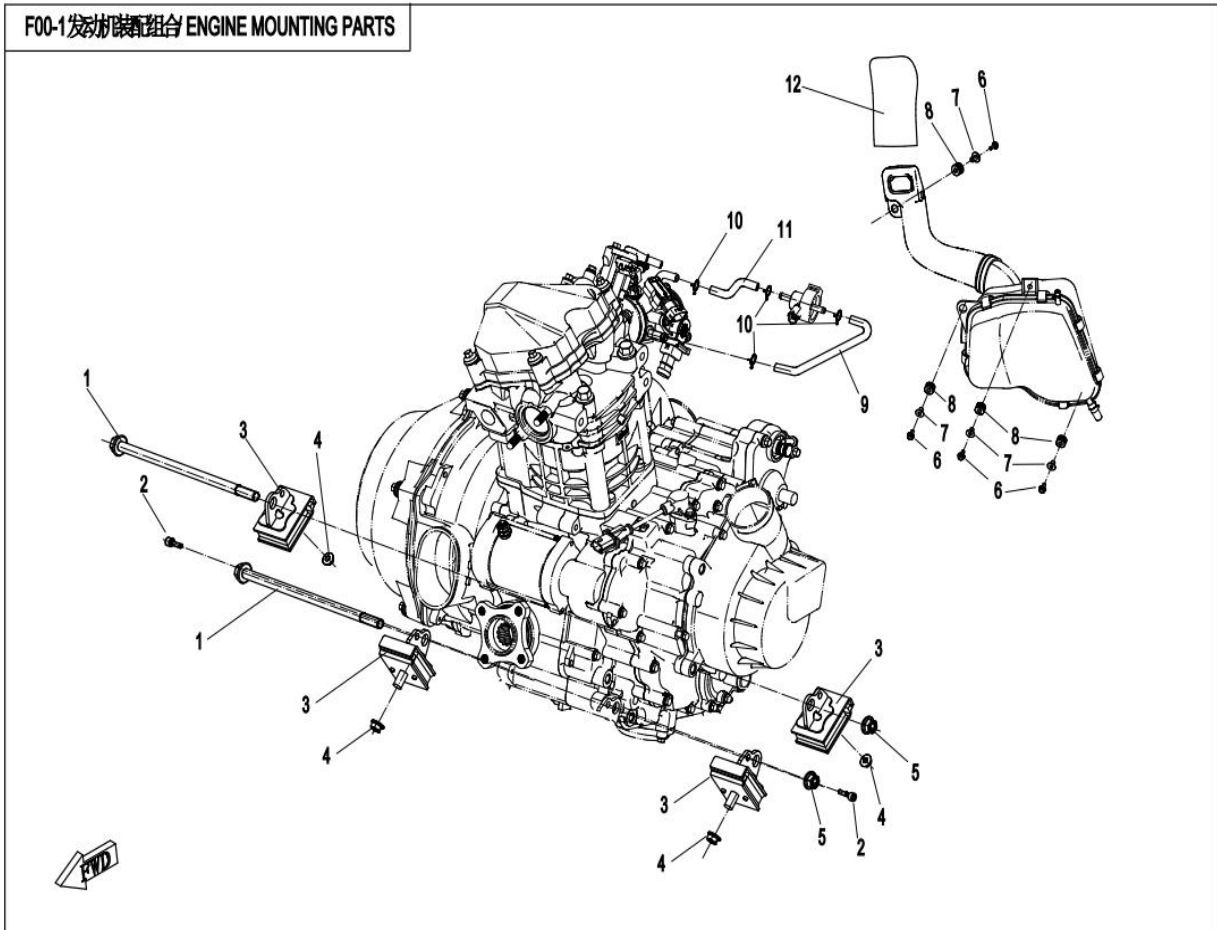
CONTENTS—ENGINE GROUP

<p>E00</p> <p style="text-align: center;">191R ENGINE</p> 	<p>E01-1</p> <p style="text-align: center;">LEFT CRANKCASE ASSY</p> <p style="text-align: center;">左曲轴箱组/LEFT CRANKCASE ASSY.</p> 	<p>E01-2</p> <p style="text-align: center;">RIGHT CRANKCASE ASSY</p> <p style="text-align: center;">右曲轴箱组/RIGHT CRANKCASE ASSY.</p> 
<p>E01-3</p> <p style="text-align: center;">CVT CASE ASSY</p> <p style="text-align: center;">CVT壳体/CVT CASE ASSY.</p> 	<p>E01-4-V2</p> <p style="text-align: center;">LEFT CRANKCASE COVER ASSY</p> <p style="text-align: center;">E01-4 左曲轴箱盖板/LEFT CRANKCASE COVER ASSY.</p> 	<p>E02-1</p> <p style="text-align: center;">CYLINDER HEAD COVER ASSY</p> <p style="text-align: center;">E02-1 气缸盖罩板/CYLINDER HEAD COVER ASSY.</p> 
<p>E02-2</p> <p style="text-align: center;">CYLINDER HEAD ASSY</p> <p style="text-align: center;">气缸盖组/CYLINDER HEAD ASSY.</p> 	<p>E02-2-V2</p> <p style="text-align: center;">CYLINDER HEAD ASSY</p> <p style="text-align: center;">E02-2-V2 气缸盖组/CYLINDER HEAD ASSY.</p> 	<p>E02-2-V3</p> <p style="text-align: center;">CYLINDER HEAD ASSY</p> <p style="text-align: center;">气缸盖组/CYLINDER HEAD ASSY.</p> 
<p>E02-3-V2</p> <p style="text-align: center;">CYLINDER BODY ASSY.</p> <p style="text-align: center;">气缸体组/CYLINDER BODY ASSY.</p> 	<p>E02-4</p> <p style="text-align: center;">CAMSHAFT OF CYLINDER ASSY</p> <p style="text-align: center;">E02-4 凸轮轴组/CAMSHAFT OF CYLINDER ASSY.</p> 	<p>E03</p> <p style="text-align: center;">MAGNETO STATOR ASSY(EPS)</p> <p style="text-align: center;">E03-01 磁电机总成(EPS)/MAGNETO ASSY(EPS).</p> 

CONTENTS—ENGINE GROUP

<p>E04</p> <p style="text-align: center;">CRANKSHAFT/CONNECTING ROD/PISTON ASSY</p> 	<p>E05-V3</p> <p style="text-align: center;">CVT ASSY</p> 	<p>E06-1</p> <p style="text-align: center;">TRANSMISSION I</p> 
<p>E06-2-A</p> <p style="text-align: center;">TRANSMISSION(2,FOR COUPLER)</p> 	<p>E06-2-B</p> <p style="text-align: center;">TRANSMISSION(2,FOR SLEEVE)</p> 	<p>E06-3</p> <p style="text-align: center;">TRANSMISSION(3)</p> 
<p>E07</p> <p style="text-align: center;">OIL PUMP ASSY</p> 	<p>E08</p> <p style="text-align: center;">WATER PUMP ASSY</p> 	<p>E09</p> <p style="text-align: center;">STATER MOTOR</p> 
<p>E29</p> <p style="text-align: center;">ENGINE GASKET KIT</p> 	<p>E30</p> <p style="text-align: center;">ENGINE OIL SEAL & O-RING</p> 	

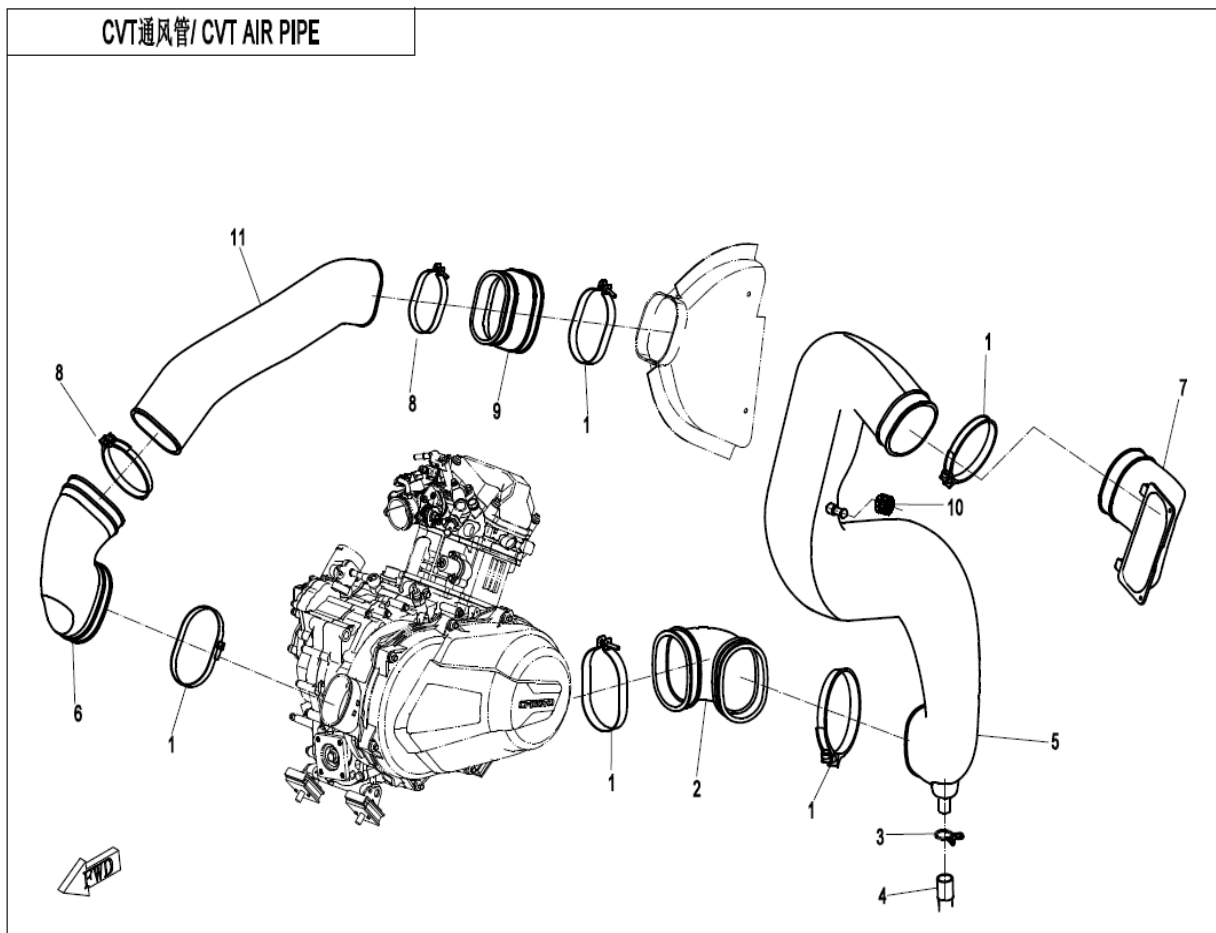
F00-1 发动机组合 ENGINE MOUNTING PARTS



F00-1 ENGINE MOUNTING PARTS

Item No.	Parts Number	Parts Name(EN)	Qty	Specification
01	30006-122180810	BOLT M12x1.25x180	2	M12x1.25x180
02	30102-060012810	SCREW	2	
03	401B-000200-10000	DAMPER	4	
04	30204-102810	NUT M10x1.25	4	M10x1.25
05	30204-122810	NUT M12x1.25	2	M12x1.25
06	30006-060030810	BOLT M6x30	4	M6x30
07	9010-120310	RUBBER LINER, FUEL TANK	4	
08	9010-120007	REAR CUSHION SLEEVE, FUEL TANK	4	
09	5BR0-000002	OUTLET HOSE, IDLE VALVE	1	
10	30601-113010	CLAMP A13	4	A13
11	5BR0-000001	INLET HOSE, IDLE VALVE	1	
12	7000-000208	FILTER COVER	1	

CVT通风管/ CVT AIR PIPE

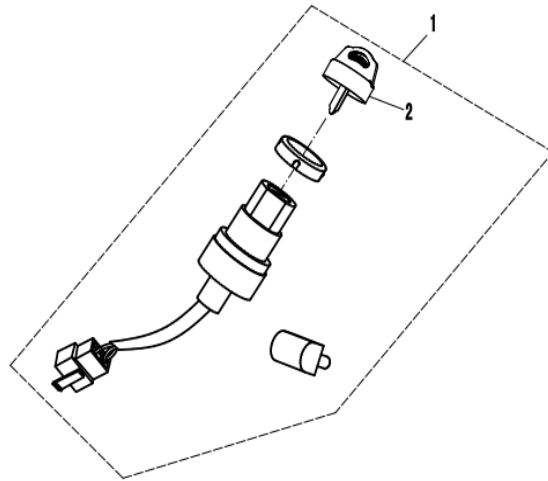


F00-2-V3

CVT AIR PIPE

Item No.	Parts Number	Parts Name(EN)	Qty	Specification
01	9010-000105	A-TYPE SCREW CLAMP 78-101	5	78-101
02	5BR0-000203	JOINT, CVT AIR INLET PIPE	1	
03	30601-117010	CLAMP A17	1	A17
04	0180-110005	OIL STORAGE HOSE	1	
05	5BR0-000201-10000	AIR INLET PIPE 1,CVT	1	
06	5BR0-000204	JOINT 1, EXHAUST PIPE	1	
07	7000-000205-10000	AIR INLET PIPE 2,CVT	1	
08	9030-000109	SCREW CLAMP, A-TYPE	2	70~90
09	5BR0-000208	JOINT 2, EXHAUST PIPE	1	
10	5020-031001	RUBBER SLEEVE, FRONT LICENSE BRACKET	1	
11	5BR0-000202	AIR OUTLET PIPE, CVT	1	

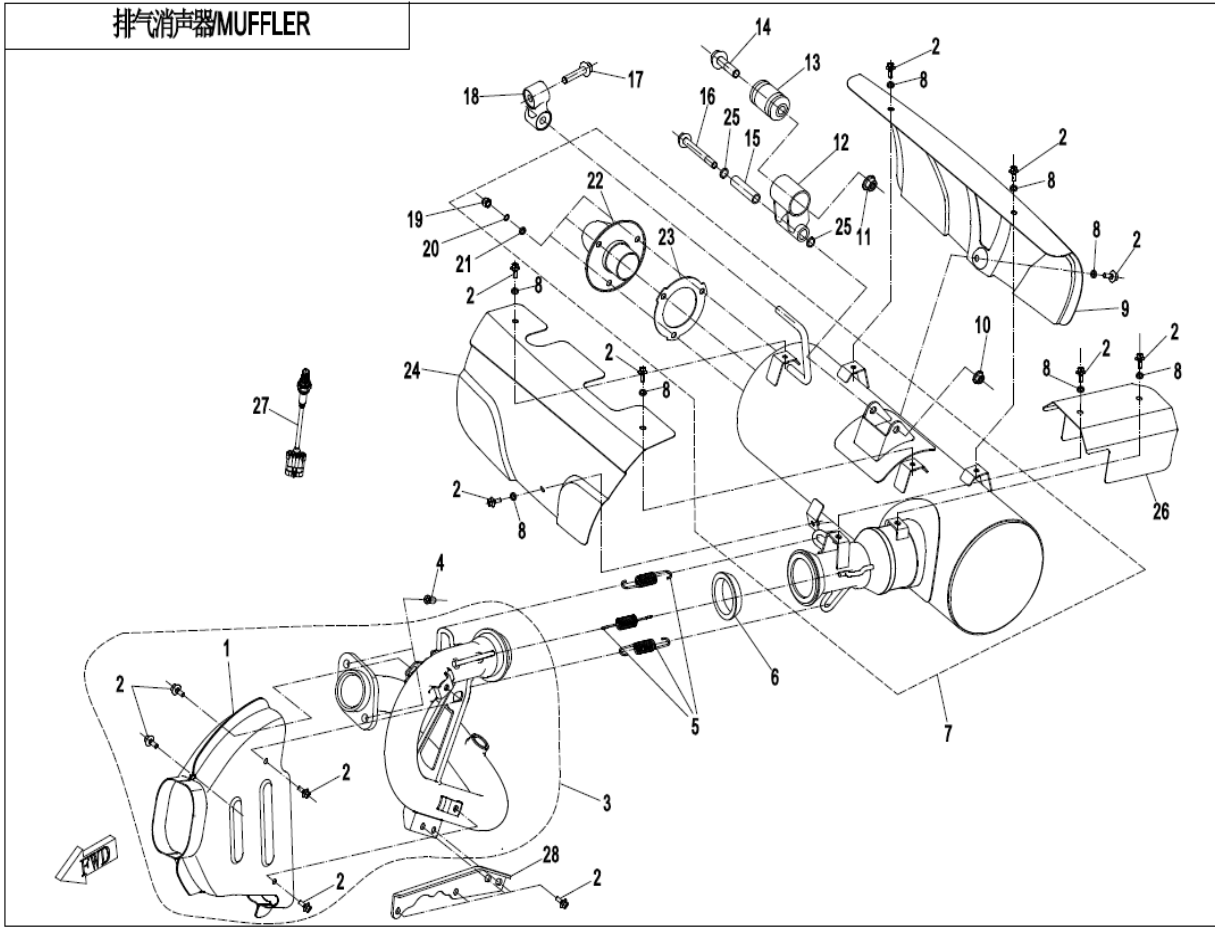
F01 锁具/LOCK KITS



F01 LOCK KITS

Item No.	Parts Number	Parts Name(EN)	Qty	Specification
01	7000-011000-1000	LOCK KITS	1	
01	7000-011000-20000	LOCK ASSY	1	SUMITOMO PLUG
02	9060-010300-1000	KEY	1	

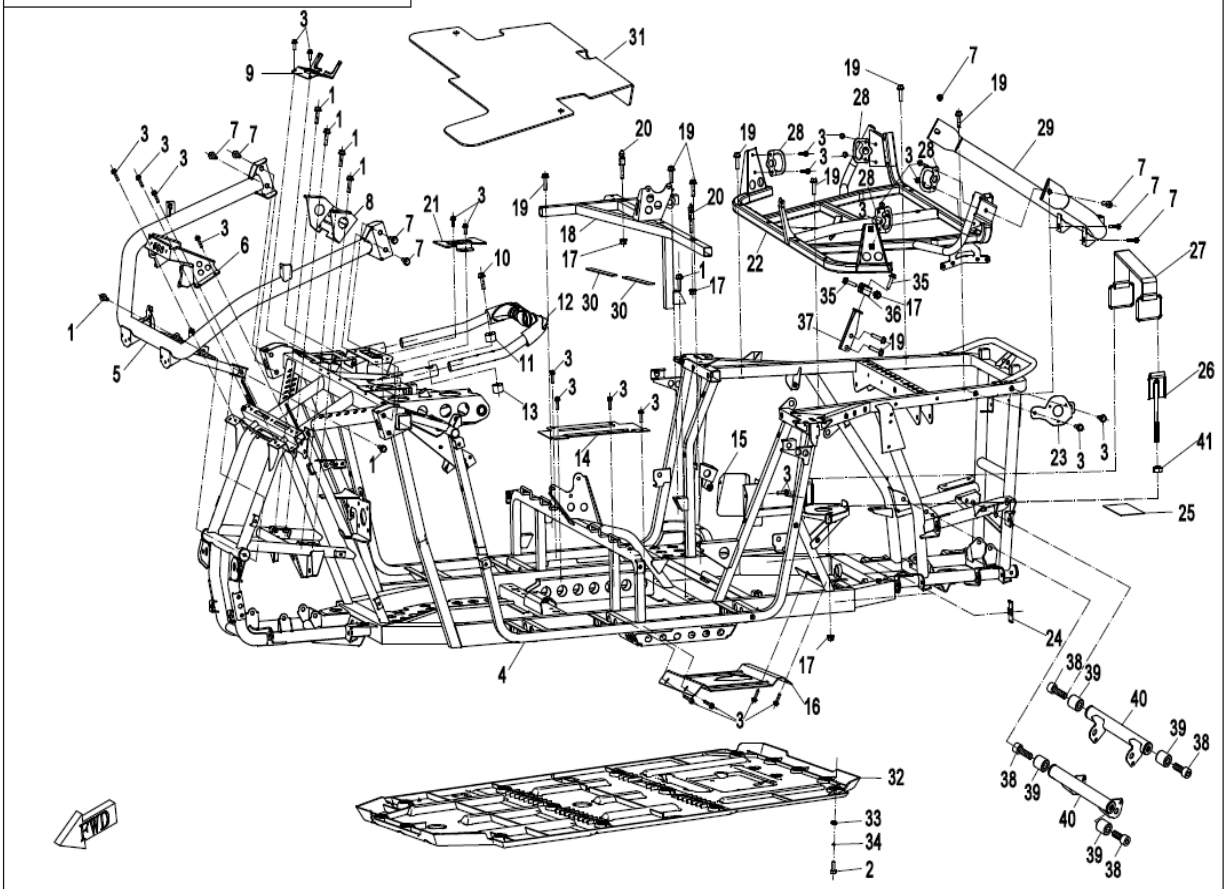
排气消声器MUFFLER



F02-V3 MUFFLER

Item No.	Parts Number	Parts Name(EN)	Qty	Specification
01	5BR0-021120-10000	HEAT INSULATOR,EXHAUST PIPE	1	
02	30006-060012810	BOLT M6x12	16	M6x12
03	5BR0-021100-20000	FRONT EXHAUST PIPE, MUFFLER	1	
04	8010-020001	NUT M8, MUFFLER JOINT	2	M8
05	9CR6-020002-00001	DRAG SPRING,MUFFLER	3	
06	7030-021002	COLLAR, BIG	1	
07	5BR0-021200-00001	MUFFLER ASSY	1	
07	5BR0-021200-10000	MUFFLER ASSY	1	
08	30305-060800	WASHER 6	8	6
09	7000-020004	OUTER DECO COVER, MUFFLER BODY	1	
10	30204-080810	NUT M8	1	M8
11	30204-102810	NUT M10x1.25	1	M10x1.25
12	9CR6-020020	MOUNT ASSY, MUFFLER	1	
13	9010-050500	CUSHION SLEEVE	1	
14	30006-102070810	BOLT M10x1.25x70	1	M10x1.25x70
15	7020-020001	LINER, MUFFLER	1	
16	30006-080065810	BOLT M8x65	1	M8x65
17	30006-080040810	BOLT M8x40	1	M8x40
18	7020-000160	CONNECTING PARTS, ENGINE UPPER BRACKET	1	
19	30206-060500	CAP NUT	3	
20	30303-060900	WASHER	3	6
21	30306-060800	WASHER 6	3	6
22	7030-021150-1000	SPARK ARRESTOR	1	
23	5BY2-021001	SEAL GASKET	1	
24	5BR0-020007	INNER HEAT INSULATION COVER, MUFFLER BODY	1	
25	9CR6-020003	WIRE WASHER	2	
26	7000-020008	HEAT SHIELD, CATALYST	1	
27	018B-176000	OXYGEN SENSOR	1	
28	5BR0-021001	BRACKET, FRONT EXHAUST PIPE	1	

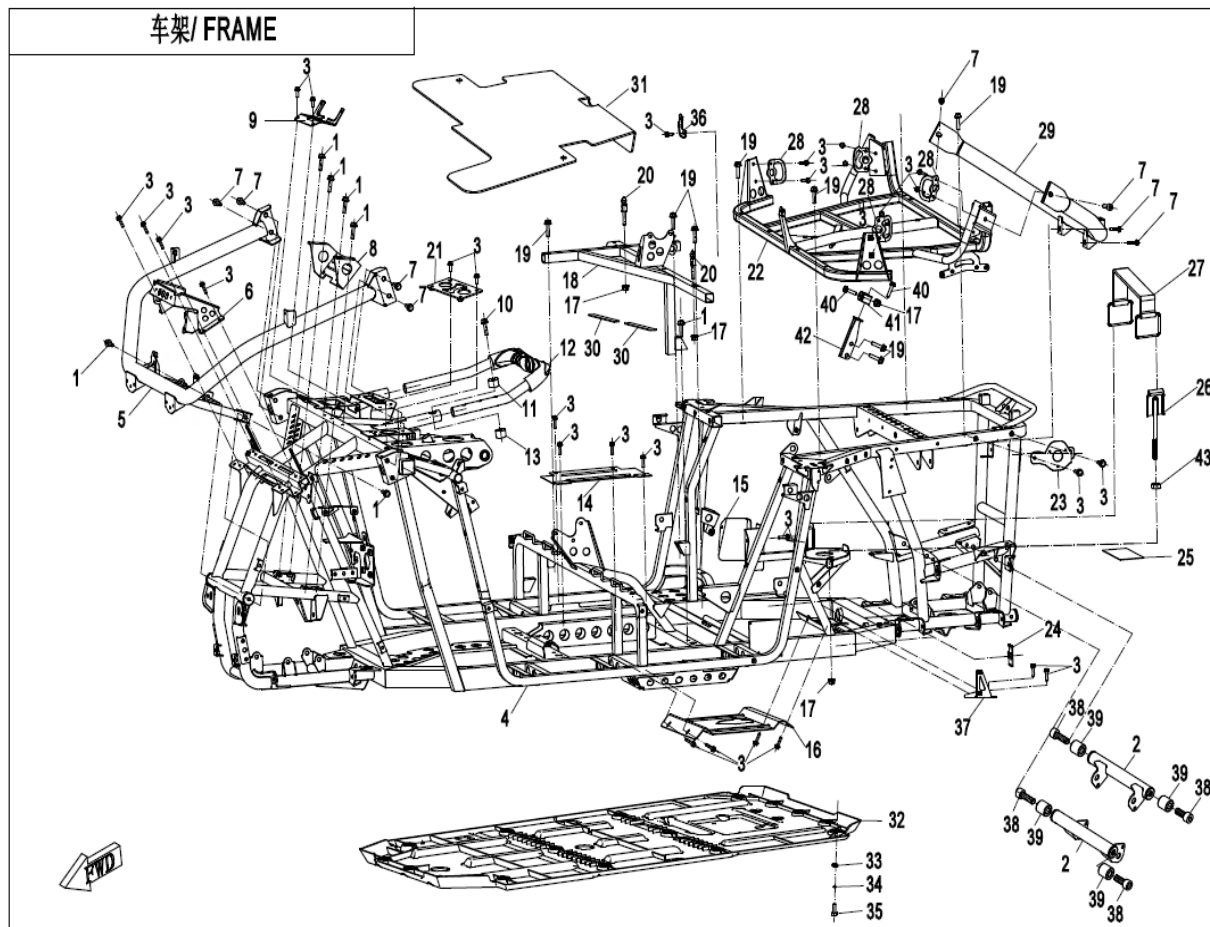
车架/FRAME



F03-A-V5 FRAME

Item No.	Parts Number	Parts Name(EN)	Qty	Specification
01	30006-080016810	BOLT M8x16	15	M8x16
02	30006-060016810	BOLT M6x16	16	M6x16
03	30006-060012810	BOLT M6x12	34	M6x12
04	5BRX-030100-30000	FRAME ASSY.	1	ELECTROPHORESIS BLACK
05	5BWA-031500-0BB00	FRONT BUMPER	1	PLASTIC POWDER
05	5BWA-031500-0B200	FRONT BUMPER	1	MATTE BLACK
05	7000-031500	FRONT BUMPER	1	NORMALLY POLISHED
06	9060-037110-10000	UPPER BRACKET, RESERVOIR TANK	1	
07	30006-102016810	BOLT M10x1.25x16	8	M10x1.25x16
08	9060-037450	MOUNTING SEAT, STEERING MOTOR	1	
09	7000-030030-10000	RELAY BOX BRACKET ASSY.	1	
10	30006-080050810	BOLT M8x50	1	M8x50
11	7000-100004	UPPER MOUNT BLOCK, PASSENGER ARMREST	1	
12	7000-100110	ARMREST RAIL ASSY	1	
13	7000-100005-10001	LOWER MOUNTING BLOCOK, PASSANGER ARMREST	1	
14	9060-038125	HEAT INSULATOR, FUEL TANK	1	
15	7000-031701	REAR PANEL, FUEL TANK	1	
16	5BR0-030301	BASE PLATE, ENGINE	1	
17	30204-080810	NUT M8	3	M8
18	7000-031100-20000	MOUNT BRACKET, SEAT	1	ELECTROPHORESIS BLACK
19	30006-080040810	BOLT M8x40	9	M8x40
20	9060-037663-00001	LIMIT LEVER, SEAT	2	
21	5BR0-030210	BRACKET ASSY, ECU	1	
22	5BR0-031200-30000	BRACKET, REAR CARGO BOX	1	
23	7000-031810	SEAT, TRAILER POWER	1	
24	9060-038122	PLUG	1	
25	9010-120008	SPONGE PAD, FUEL TANK	2	
26	5BWB-030050-10000	STRIP, BATTERY	1	
27	401B-150700	TIE BAND, BATTERY	1	
28	9030-220004	HOOK, BAND	4	
29	7000-031400-00001	REAR BUMPER ASSY	1	STAINLESS STEEL
29	5BWA-031400-1B201	REAR BUMPER ASSY	1	MATTE BLACK
29	5BWA-031400-1BB01	REAR BUMPER ASSY	1	
30	9060-038129	SPONGE STRIP 1, HEAT INSULATOR	2	
31	5BR0-031301	HEAT INSULATOR, CARGO BOX	1	
32	9060-040024-10000	BASE PLATE	1	
33	9060-040028	BASE PLATE GASKET	16	
34	30303-060112	WASHER	16	6
35	30006-103020810	BOLT M10x20	2	M10x20
36	7020-000160	CONNECTING PARTS, ENGINE UPPER BRACKET	1	
37	9GQ0-030120	SIDE SUPPORT ASSY	1	
38	30102-102035810	SCREW M10x1.25x35	4	M10x1.25x35
39	7000-031803	MOUNTING BUSHING, REAL GEAR CASE	4	
40	7000-030010-10000	MOUNT FRAME, REAL GEAR CASE	2	ELECTROPHORESIS BLACK
41	30200-080810	NUT M8	1	M8

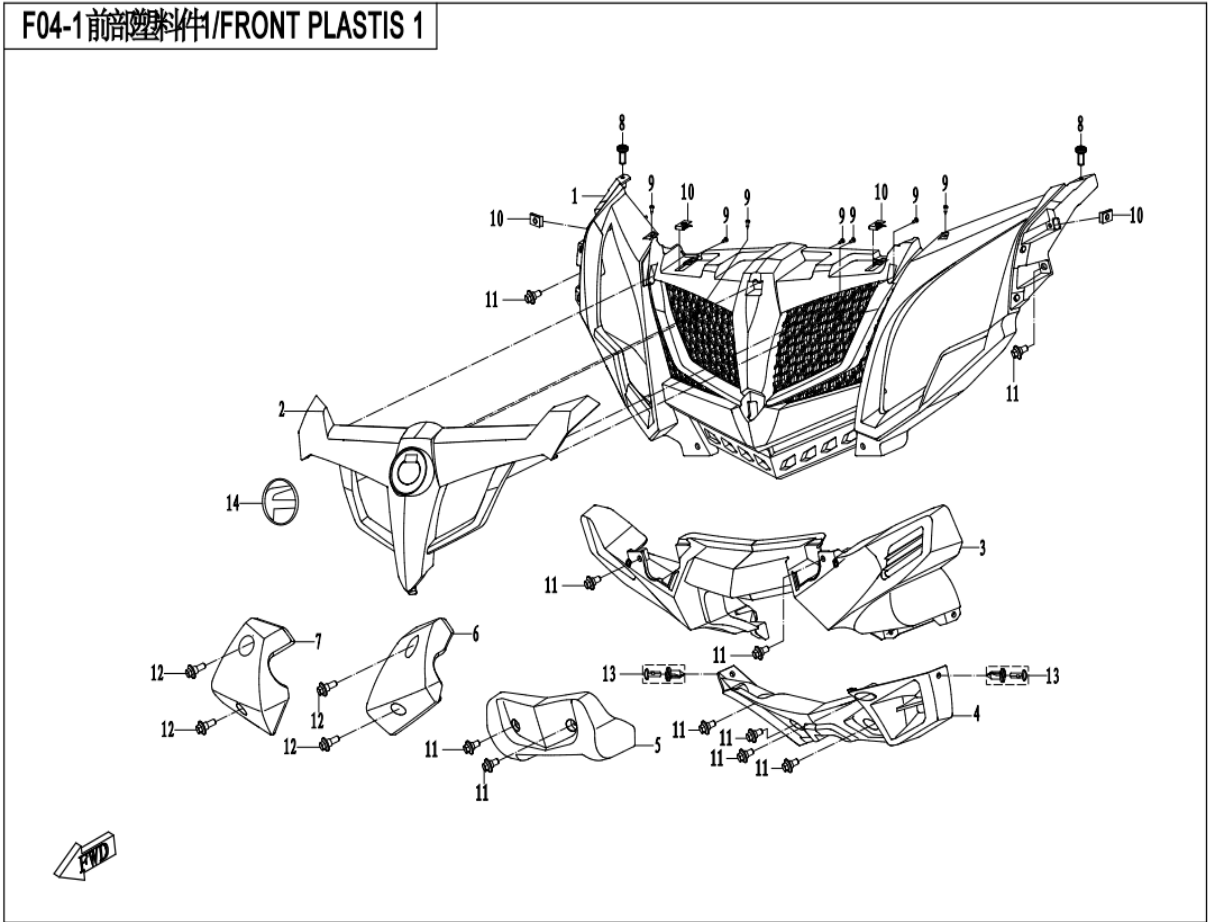
车架/FRAME



F03-B-V3 FRAME(USA&CA)

Item No.	Parts Number	Parts Name(EN)	Qty	Specification
01	30006-080016810	BOLT M8x16	11	M8x16
02	7000-030010-10000	MOUNT FRAME, REAL GEAR CASE	2	ELECTROPHORESIS BLACK
03	30006-060012810	BOLT M6x12	35	M6x12
04	5BRB-031000-30000	FRAME ASSY.	1	ELECTROPHORESIS BLACK
04	5BRB-031000-40000	FRAME ASSY	1	
05	7000-031500	FRONT BUMPER	1	NORMALLY POLISHED
05	5BWA-031500	FRONT BUMPER	1	
05	5BWA-031500-0BB00	FRONT BUMPER	1	PLASTIC POWDER
05	5BWA-031500-0B200	FRONT BUMPER	1	MATTE BLACK
06	9060-037110-10000	UPPER BRACKET, RESERVOIR TANK	1	
07	30006-102016810	BOLT M10x1.25x16	8	M10x1.25x16
08	9060-037450	MOUNTING SEAT, STEERING MOTOR	1	
09	7000-030030-10000	RELAY BOX BRACKET ASSY.	1	
10	30006-080050810	BOLT M8x50	1	M8x50
11	7000-100004	UPPER MOUNT BLOCK, PASSENGER ARMREST	1	
12	7000-100110	ARMREST RAIL ASSY	1	
13	7000-100005-10001	LOWER MOUNTING BLOCOK, PASSANGER ARMREST	1	
14	9060-038125	HEAT INSULATOR, FUEL TANK	1	
15	7000-031701	REAR PANEL, FUEL TANK	1	
16	5BRO-030301	BASE PLATE, ENGINE	1	
17	30204-080810	NUT M8	3	M8
18	7000-031100-20000	MOUNT BRACKET, SEAT	1	ELECTROPHORESIS BLACK
19	30006-080040810	BOLT M8x40	9	M8x40
20	9060-037663-00001	LIMIT LEVER, SEAT	2	
21	5BRO-030210	BRACKET ASSY, ECU	1	
22	5BRO-031200-30000	BRACKET, REAR CARGO BOX	1	
23	7000-031810	SEAT, TRAILER POWER	1	
24	9060-038122	PLUG	1	
25	9010-120008	SPONGE PAD, FUEL TANK	2	
26	5BWB-030050-10000	STRIP, BATTERY	1	
27	401B-150700	TIE BAND, BATTERY	1	
28	9030-220004	HOOK, BAND	4	
29	7000-031400-00001	REAR BUMPER ASSY	1	STAINLESS STEEL
29	5BWA-031400-1B201	REAR BUMPER ASSY	1	MATTE BLACK
29	5BWA-031400-1BB01	REAR BUMPER ASSY	1	
30	9060-038129	SPONGE STRIP 1, HEAT INSULATOR	2	
31	5BRO-031301	HEAT INSULATOR, CARGO BOX	1	
32	9060-040024-10000	BASE PLATE	1	
33	9060-040028	BASE PLATE GASKET	16	
34	30303-060112	WASHER	16	6
35	30006-060016810	BOLT M6x16	16	M6x16
36	7000-030040	ADAPTOR SEAT, AIR INLET PORT	1	
37	5BWB-030110-00001	BRACKET, PARKING CABLE	1	
38	30102-102035810	SCREW M10x1.25x35	4	M10x1.25x35
39	7000-031803	MOUNTING BUSHING, REAL GEAR CASE	4	
40	30006-103020810	BOLT M10x20	2	M10x20
41	7020-000160	CONNECTING PARTS, ENGINE UPPER BRACKET	1	
42	9GQ0-030120	SIDE SUPPORT ASSY	1	
43	30200-080810	NUT M8	1	M8

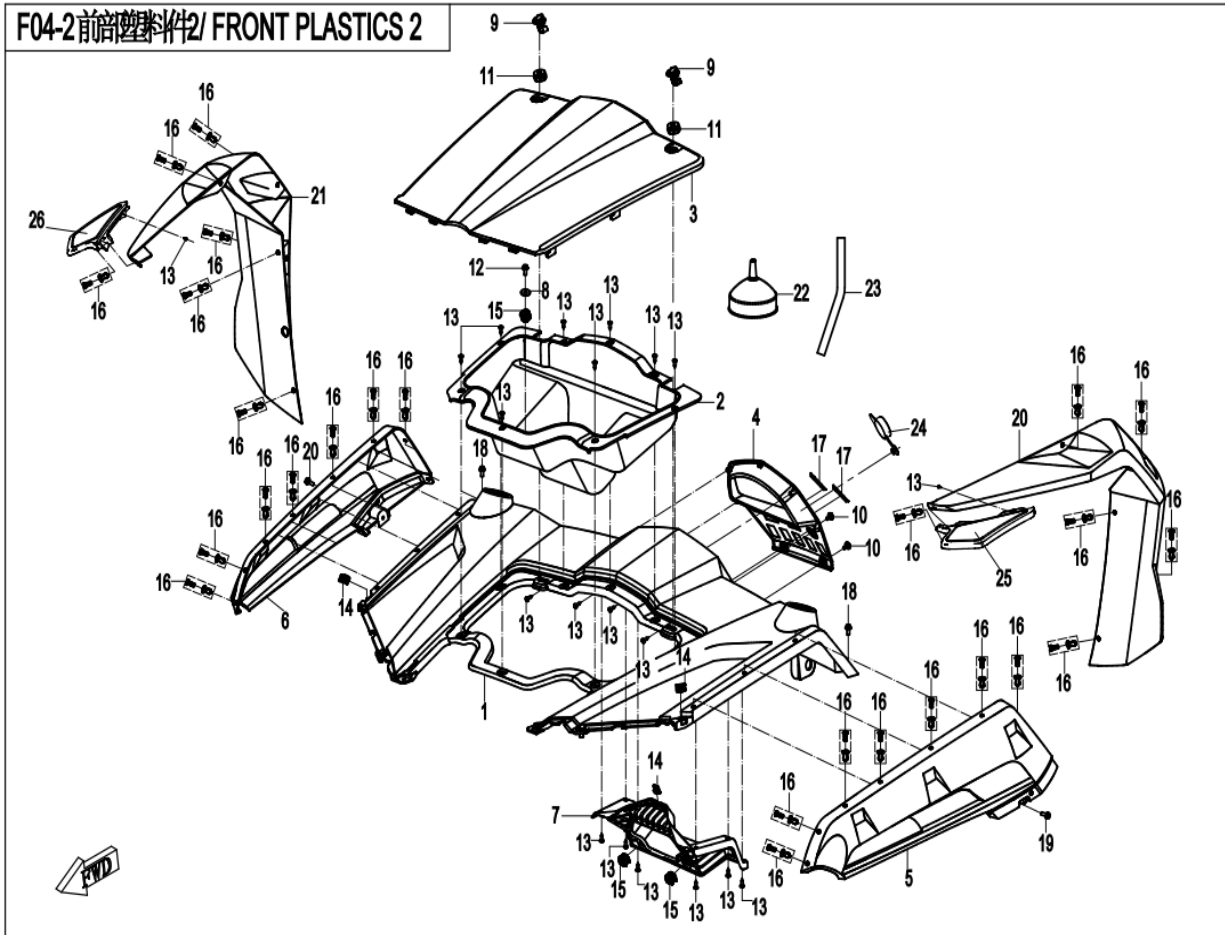
F04-1 前部塑料件 / FRONT PLASTIS 1



F04-1 FRONT PLASTICS 1

Item No.	Parts Number	Parts Name(EN)	Qty	Specification
01	7000-042611	FRONT UPPER PANEL	1	
02	700V-042612-1000-0B500	FRONT DECO PLATE	1	TITANIUM GRAY
02	700V-042612-1000-0YD00	FRONT DECO PLATE	1	LAVA ORANGE
03	7000-042631	FRONT MIDDLE PANEL	1	
04	7000-042632	FRONT LOWER PANEL	1	
05	7000-042661	COVER, WINCH	1	
06	7000-042641	LH FRONT RUBBER BLOCK	1	
07	7000-042651	RH FRONT RUBBER BLOCK	1	
08	30105-060016410	SCREW M6x16	2	M6x16
09	30110-480160010	SELF-TAPPING SCREW ST4.8x16	7	ST4.8x16
10	8010-000002	CLAMP ST4.2	4	ST4.2
11	8010-000004	BOLT M6x14	10	M6x14
12	8010-040038	BOLT M6x22	4	M6x22
13	9060-040310	PLASTIC CLIPS	2	
14	7030-190001	CFMOTO LOGO	1	BIG

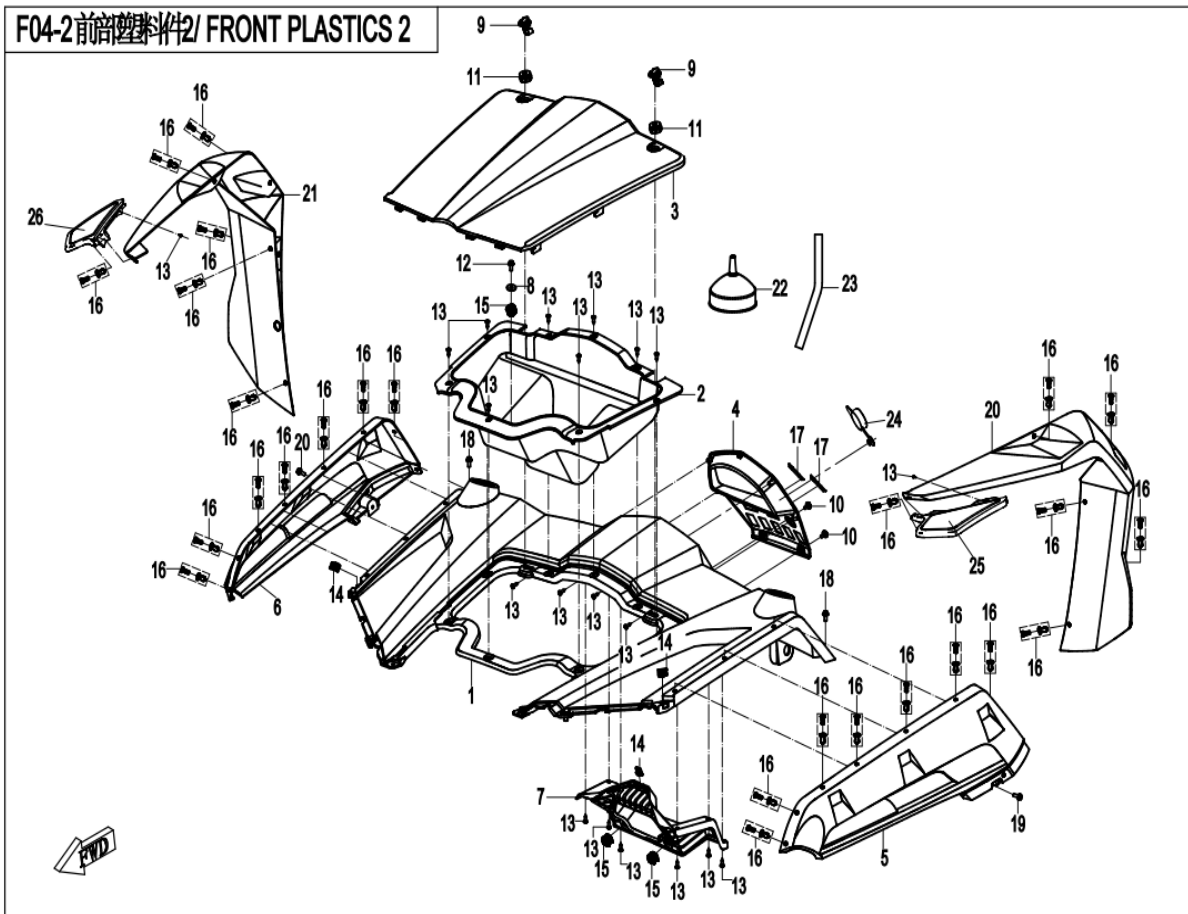
F04-2前部塑料件2/ FRONT PLASTICS 2



F04-2 FRONT PLASTICS 2

Item No.	Parts Number	Parts Name(EN)	Qty	Specification
01	9060-040101-1B500	FRONT FENDER	1	TITANIUM GRAY
01	9060-040101-1YD00	FRONT FENDER	1	LAVA ORANGE
02	9060-040103	FRONT TRUNK	1	
03	9060-040102-0B50	FRONT TOP COVER	1	TITANIUM GRAY
03	9060-040102-0YD00	FRONT TOP COVER	1	LAVA ORANGE
04	9060-040106-10000	DASHBOARD PANEL	1	
05	9060-040009	LH FRONT PROTECTOR	1	
06	9060-040011	RH FRONT PROTECTOR	1	
07	9060-040104	BOTTOM PANEL, DASHBOARD	1	
08	30301-060412	WASHER	1	6
09	9060-040105	CUPBOARD BUTTON	2	
10	8030-040020	SCREW, SPEAKER COVER	2	
11	9060-040151	RUBBER COLLAR, CUPBOARD BUTTON	2	
12	30006-060016810	BOLT M6x16	1	M6x16
13	30110-480160010	SELF-TAPPING SCREW ST4.8x16	18	ST4.8x16
14	8030-040800-00001	NUT CLIP M6	3	M6
15	5020-031001	RUBBER SLEEVE, FRONT LICENSE BRACKET	2	
16	9060-040310	PLASTIC CLIPS	26	
17	9060-040108-10000	SWITCH HOLE COVER	2	
18	30006-060020810	BOLT M6x20	2	M6x20
19	30006-060012810	BOLT M6x12	2	M6x12
20	4060-260601	FRONT FENDER, LH	1	
21	4060-260602	FRONT FENDER, RH	1	
22	7030-200101	FILLER, ENGINE OIL	1	
23	7000-200101	FUNNEL EXTENSION HOSE	1	
24	9060-040109	COVER, LOCK	1	

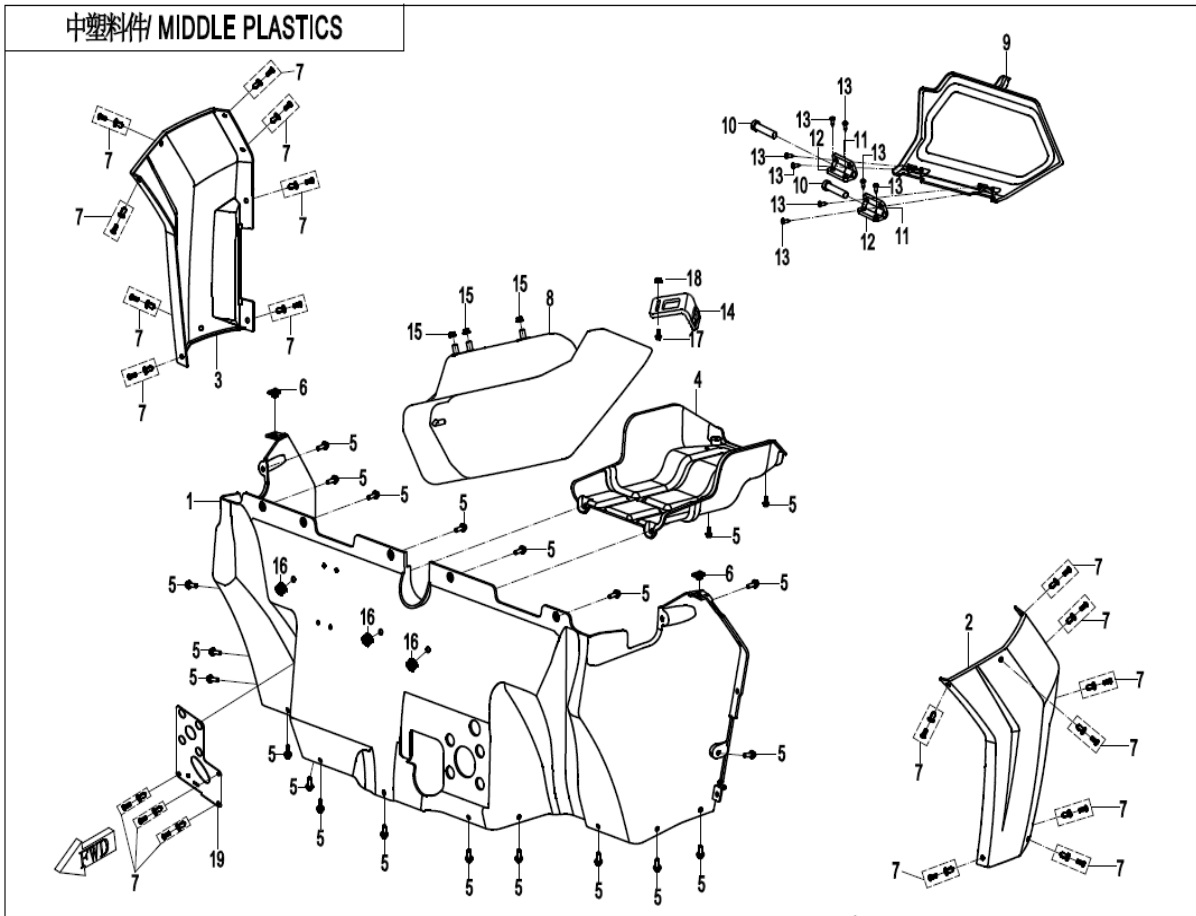
F04-2 前部塑料件 / FRONT PLASTICS 2



F04-2 FRONT PLASTICS 2

Item No.	Parts Number	Parts Name(EN)	Qty	Specification
01	9060-040101-1B500	FRONT FENDER	1	TITANIUM GRAY
01	9060-040101-1YD00	FRONT FENDER	1	LAVA ORANGE
02	9060-040103	FRONT TRUNK	1	
03	9060-040102-0B50	FRONT TOP COVER	1	TITANIUM GRAY
03	9060-040102-0YD00	FRONT TOP COVER	1	LAVA ORANGE
04	9060-040106-10000	DASHBOARD PANEL	1	
05	9060-040009	LH FRONT PROTECTOR	1	
06	9060-040011	RH FRONT PROTECTOR	1	
07	9060-040104	BOTTOM PANEL, DASHBOARD	1	
08	30301-060412	WASHER	1	6
09	9060-040105	CUPBOARD BUTTON	2	
10	8030-040020	SCREW, SPEAKER COVER	2	
11	9060-040151	RUBBER COLLAR, CUPBOARD BUTTON	2	
12	30006-060016810	BOLT M6x16	1	M6x16
13	30110-480160010	SELF-TAPPING SCREW ST4.8x16	18	ST4.8x16
14	8030-040800-00001	NUT CLIP M6	3	M6
15	5020-031001	RUBBER SLEEVE, FRONT LICENSE BRACKET	2	
16	9060-040310	PLASTIC CLIPS	26	
17	9060-040108-10000	SWITCH HOLE COVER	2	
18	30006-060020810	BOLT M6x20	2	M6x20
19	30006-060012810	BOLT M6x12	2	M6x12
20	4060-260601	FRONT FENDER, LH	1	
21	4060-260602	FRONT FENDER, RH	1	
22	7030-200101	FILLER, ENGINE OIL	1	
23	7000-200101	FUNNEL EXTENSION HOSE	1	
24	9060-040109	COVER, LOCK	1	

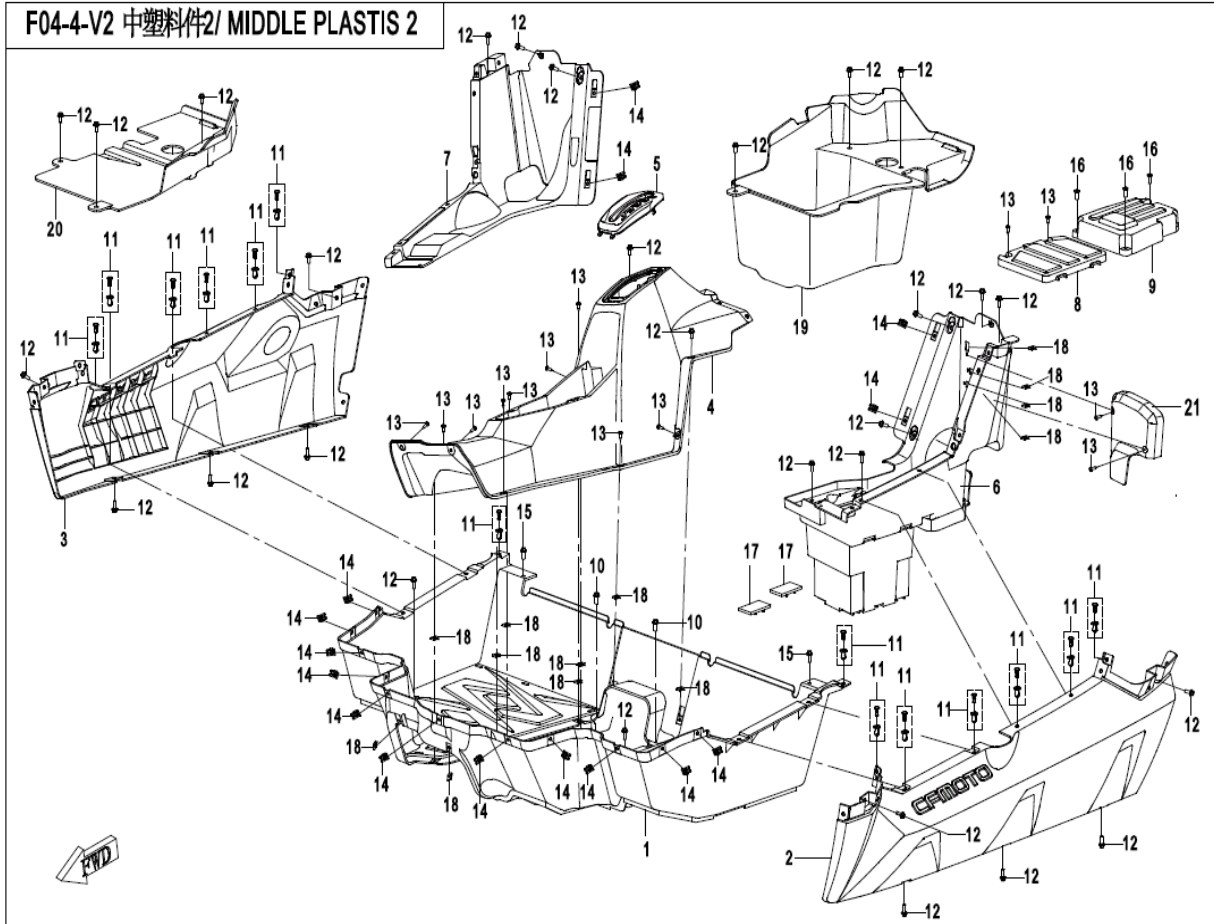
中塑料件/ MIDDLE PLASTICS



F04-3-V2 中部塑料件 1 MIDDLE PLASTICS 1

Item No.	Parts Number	Parts Name(EN)	Qty	Specification
01	9060-040012-1000	FRONT FENDER	1	
02	9060-040007-0B50	LH FRONT DECO PLATE	1	TITANIUM GRAY
02	9060-040007-0YD00	LH FRONT DECO PLATE	1	LAVA ORANGE
03	9060-040008-0B50	RH FRONT DECO PLATE	1	TITANIUM GRAY
03	9060-040008-0YD00	RH FRONT DECO PLATE	1	LAVA ORANGE
04	9060-043001-1000	WIRE GUARD, DASHBOARD	1	
05	30006-060016810	BOLT M6x16	22	M6x16
06	8030-040800-00001	NUT CLIP M6	2	M6
07	9060-040310	PLASTIC CLIPS	19	
08	7000-044101	FILE CASE	1	
09	7000-044102	COVER, FILE CASE	1	
10	9030-040013	HINGE SHAFT, TRUNK	2	
11	9030-040012	HINGE SEAT, TRUNK	2	
12	9030-040014	COVER, HINGE SHAFT	2	
13	30110-420095010	SELF-TAPPING SCREW ST4.2x9.5	8	ST4.2x9.5
14	7020-140002	TIE BAND, RACK COVER	1	
15	30204-060810	NUT M6	3	M6
16	5020-031001	RUBBER SLEEVE, FRONT LICENSE BRACKET	3	
17	8010-000004	BOLT M6x14	1	M6x14
18	30202-060110	NUT M6	1	M6
19	9060-041021	INNER FENDER	1	

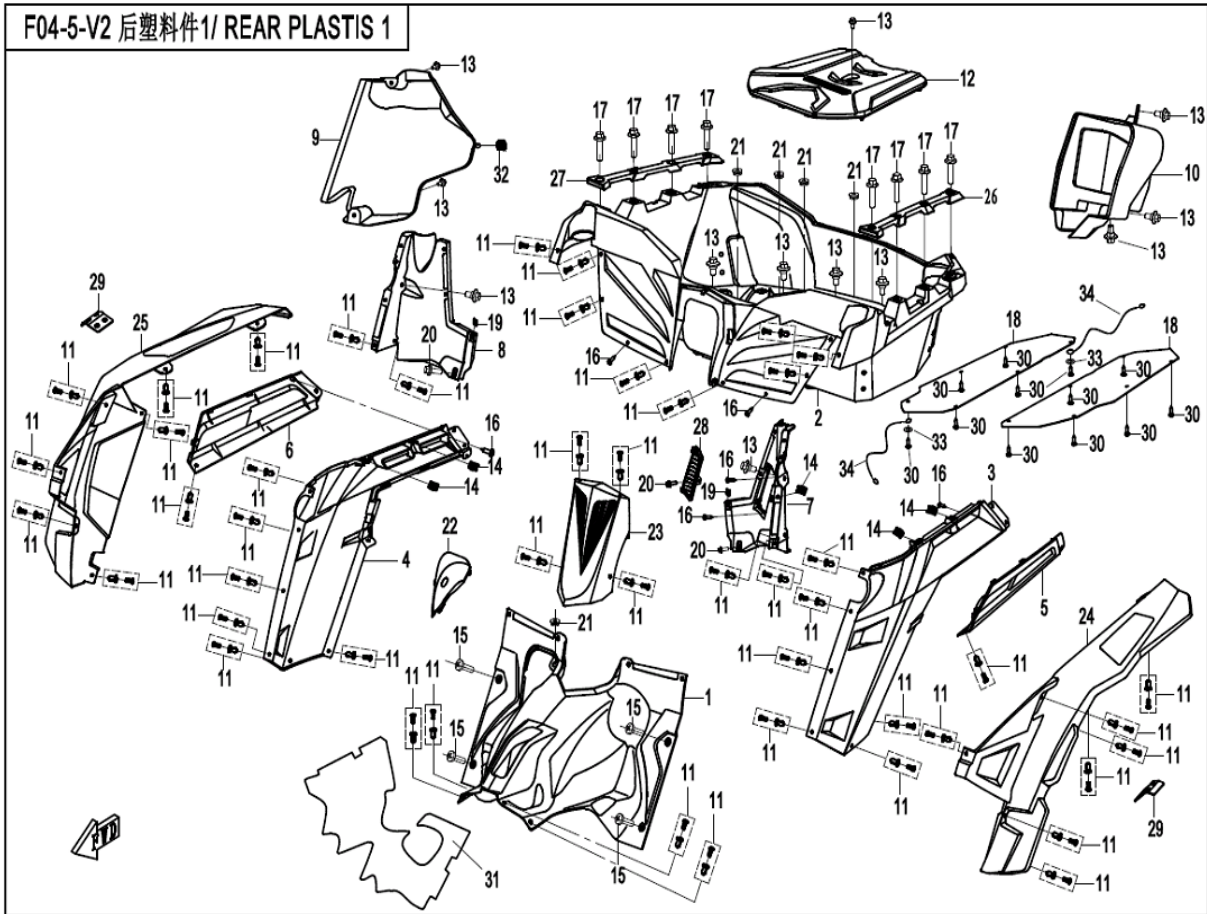
F04-4-V2 中塑料件2/ MIDDLE PLASTIS 2



F04-4-V2 中部塑料件2 MIDDLE PLASTICS 2

Item No.	Parts Number	Parts Name(EN)	Qty	Specification
01	9060-040013-20000	BASE PLATE, FOOTREST	1	
02	7000-040005	SIDE PANEL, LH	1	
03	7000-040006	SIDE PANEL, RH	1	
04	7000-041601-10000	MIDDLE COVER	1	
05	7000-041602-0V10	CAP, GEARSHIFT	1	SILVER WHITE
06	9060-040014-30000	BATTERY BOX	1	
07	7000-041801	PANEL, FUEL TANK PORT	1	
08	9060-040027-20000	BATTERY COVER	1	
09	5BR0-042801	PROTECT COVER, ELECTRIC	1	
10	30006-080016810	BOLT M8x16	2	M8x16
11	9060-040310	PLASTIC CLIPS	14	
12	30006-060012810	BOLT M6x12	29	M6x12
13	30110-480160010	SELF-TAPPING SCREW ST4.8x16	13	ST4.8x16
14	8030-040800-00001	NUT CLIP M6	15	M6
15	30006-060020810	BOLT M6x20	4	M6x20
16	30112-060016410	SCREW ASSY M6x16	18	M6x16
17	9060-120002	CUSHION STRIP, FUEL TANK	2	
18	8010-000002	CLAMP ST4.2	13	ST4.2
19	7000-042911	LOWER GUARD, LH SEAT	1	
20	7000-042921	LOWER GUARD, RH SEAT	1	
21	9060-040026	ECU DECO COVER	1	

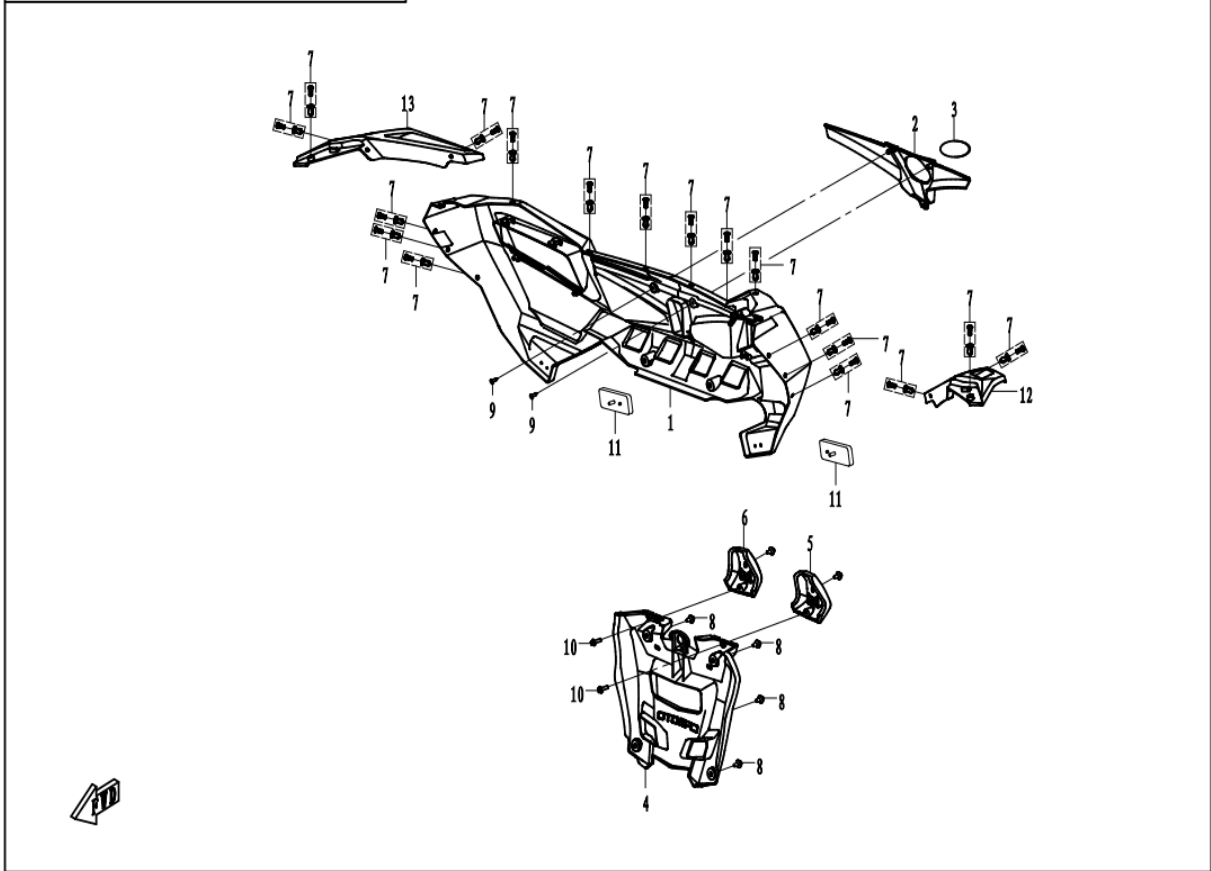
F04-5-V2 后塑料件1/ REAR PLASTIS 1



F04-5-V3 后部塑料件1 REAR PLASTICS 1

Item No.	Parts Number	Parts Name(EN)	Qty	Specification
01	7000-041501-10000	REAR GUARD	1	
02	7000-042301	REAR CARGO BOX	1	
03	9060-040003-0B50	LH REAR DECO PLATE	1	TITANIUM GREY
03	9060-040003-0YD00	LH REAR DECO PLATE	1	LAVA ORANGE
04	9060-040004-0B50	RH REAR DECO PLATE	1	TITANIUM GREY
04	9060-040004-0YD00	RH REAR DECO PLATE	1	LAVA ORANGE
05	9060-040001	LH REAR PROTECTOR	1	
06	9060-040002	RH REAR PROTECTOR	1	
07	7000-042101-10000	CONNECTING PANEL, LH	1	
08	7000-042201	CONNECTING PANEL, RH	1	
09	7000-041901-10000	GUARD, AIR FILTER	1	
10	700V-041701-1000	GUARD, BATTERY	1	
11	9060-040310	PLASTIC CLIPS	48	
12	7000-042302	MAINTENANCE COVER	1	
13	8010-000004	BOLT M6x14	10	M6x14
14	8030-040800-00001	NUT CLIP M6	5	M6
15	30006-060016810	BOLT M6x16	4	M6x16
16	30110-420130010	SELF-TAPPING SCREW ST4.2x13	18	ST4.2x13
17	30006-060025810	BOLT M6x25	8	M6x25
18	7000-038112-10000	HEAT INSULATOR, REAR REPAIR COVER	2	
19	8010-000002	CLAMP ST4.2	2	ST4.2
20	30006-060020810	BOLT M6x20	3	M6x20
21	0180-015003	RUBBER SLEEVE	5	
22	7000-041502-10000	CAP, OIL FILLER	1	
23	7000-042303	VENT GRILLE	1	
24	4060-260603	REAR FENDER, LH	1	
25	4060-260604	REAR FENDER, RH	1	
26	7000-042311	DECO STRIP, LH CARGO BOX	1	
27	7000-042321	RH DECO STRIP, CARGO BOX	1	
28	7000-042102-10000	VENT GRILLE, CVT	1	
29	4060-260605	LINK PANEL, REAR FENDER	2	
30	30110-420095010	SELF-TAPPING SCREW ST4.2x9.5	12	ST4.2x9.5
31	7000-041503-10000	HEAT INSULATOR, REAR LOWER FENDER	1	
32	5020-031001	RUBBER SLEEVE, FRONT LICENSE BRACKET	1	
33	30305-050112	WASHER	2	5
34	7030-040010-00001	CABLE, FRONT TOP COVER	2	

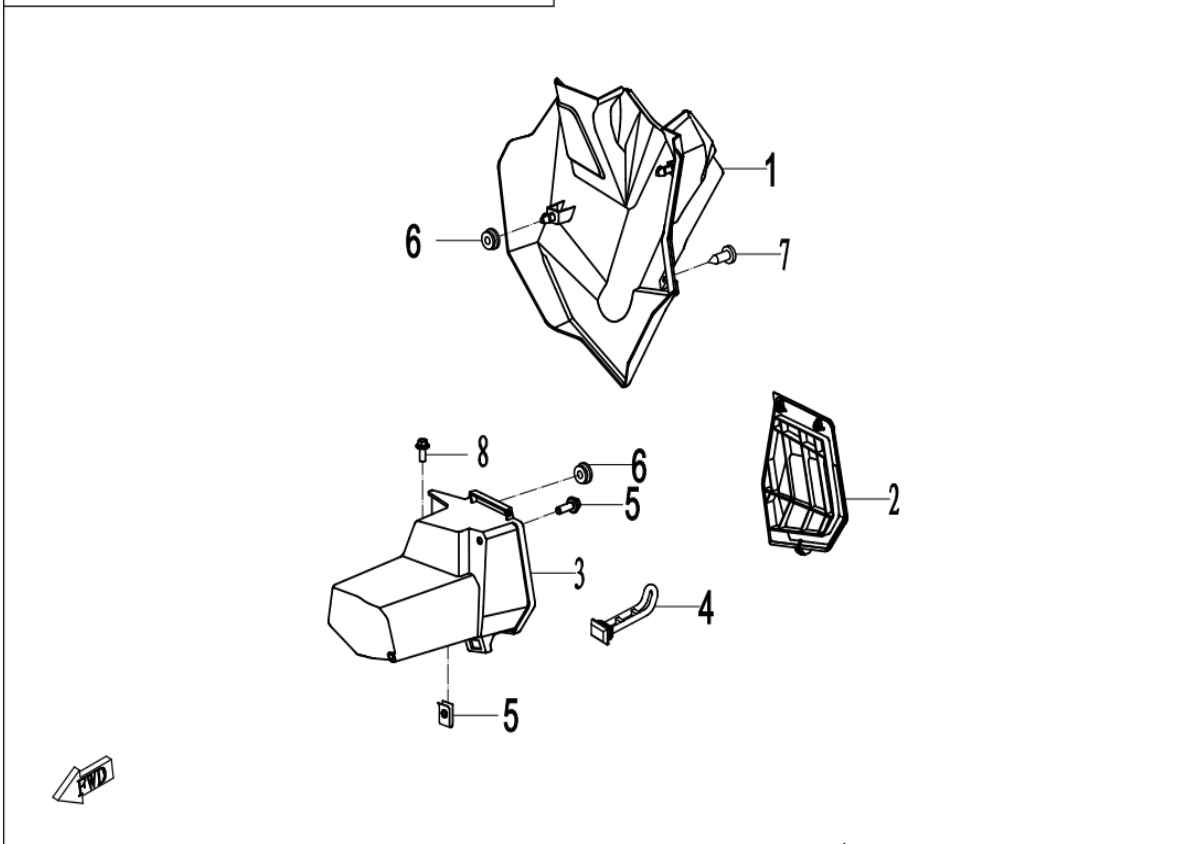
F04-6 后部塑料件2/REAR PLASTIS 2



F04-6 后部塑料件2 REAR PLASTICS 2

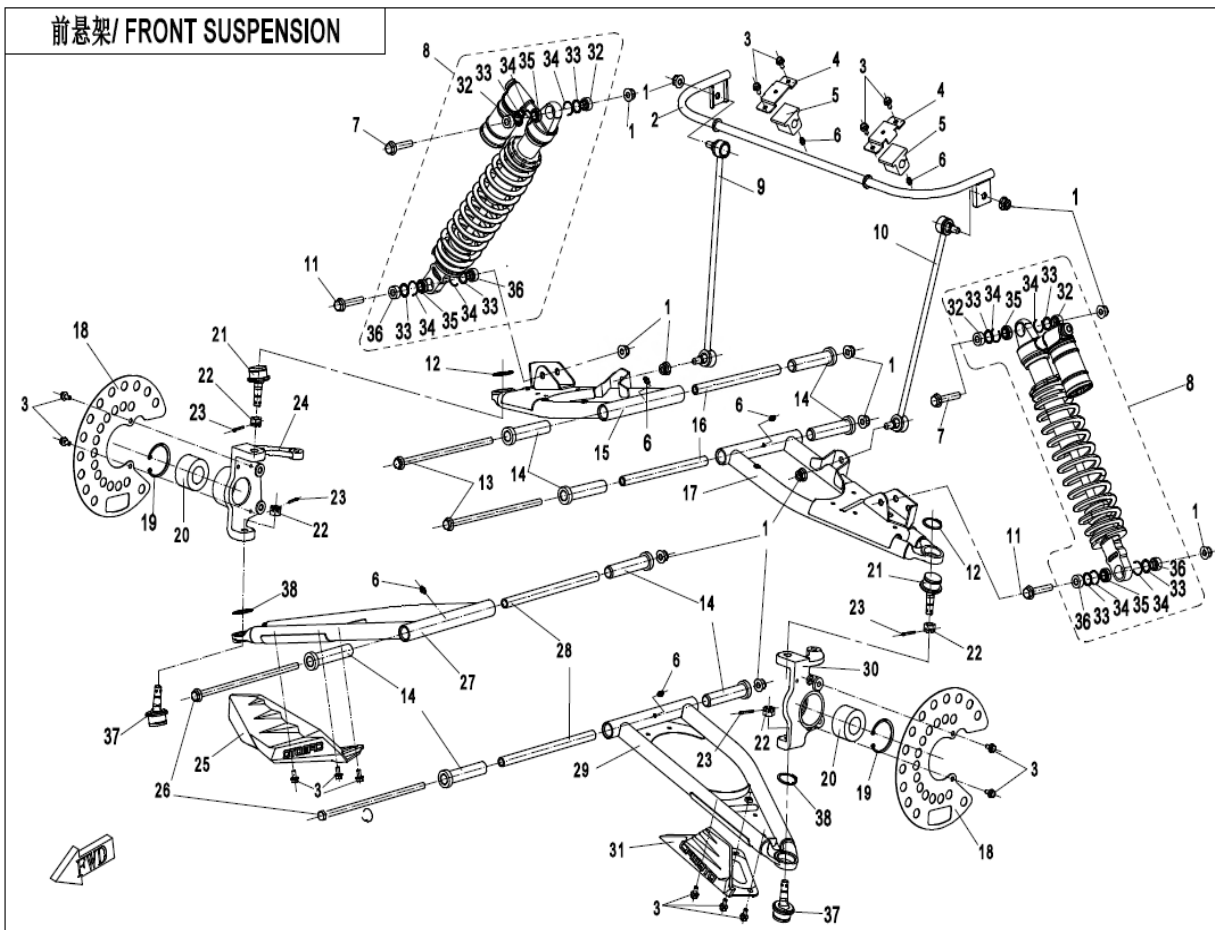
Item No.	Parts Number	Parts Name(EN)	Qty	Specification
01	7000-043211	REAR UPPER PANEL	1	
02	700V-043212-1000-0B500	REAR DECO STRAP	1	TITANIUM GRAY
02	700V-043212-1000-0YD00	REAR DECO STRAP	1	LAVA ORANGE
03	7030-190001	CFMOTO LOGO	1	BIG
04	7000-043221	REAR LOWER PANEL	1	
05	7000-043231	LH REAR RUBBER BLOCK	1	
06	7000-043241	RH REAR RUBBER BLOCK	1	
07	9060-040310	PLASTIC CLIPS	19	
08	8010-000004	BOLT M6x14	4	M6x14
09	30110-480160010	SELF-TAPPING SCREW ST4.8x16	2	ST4.8x16
10	30006-050014810	BOLT M5x14	2	M5x14
11	5190-160230	REAR REFLECTOR	2	RECTANGLE, RED
12	7000-044211	REAR WING PANEL, LH	1	
13	7000-044221	TAIL COVER, RH	1	

F04-7 中部塑料件3 (EPS) /MIDDLE PLASTICS 3(EPS)



F04-7 中部塑料件3(EPS) MIDDLE PLASTICS 3(EPS)

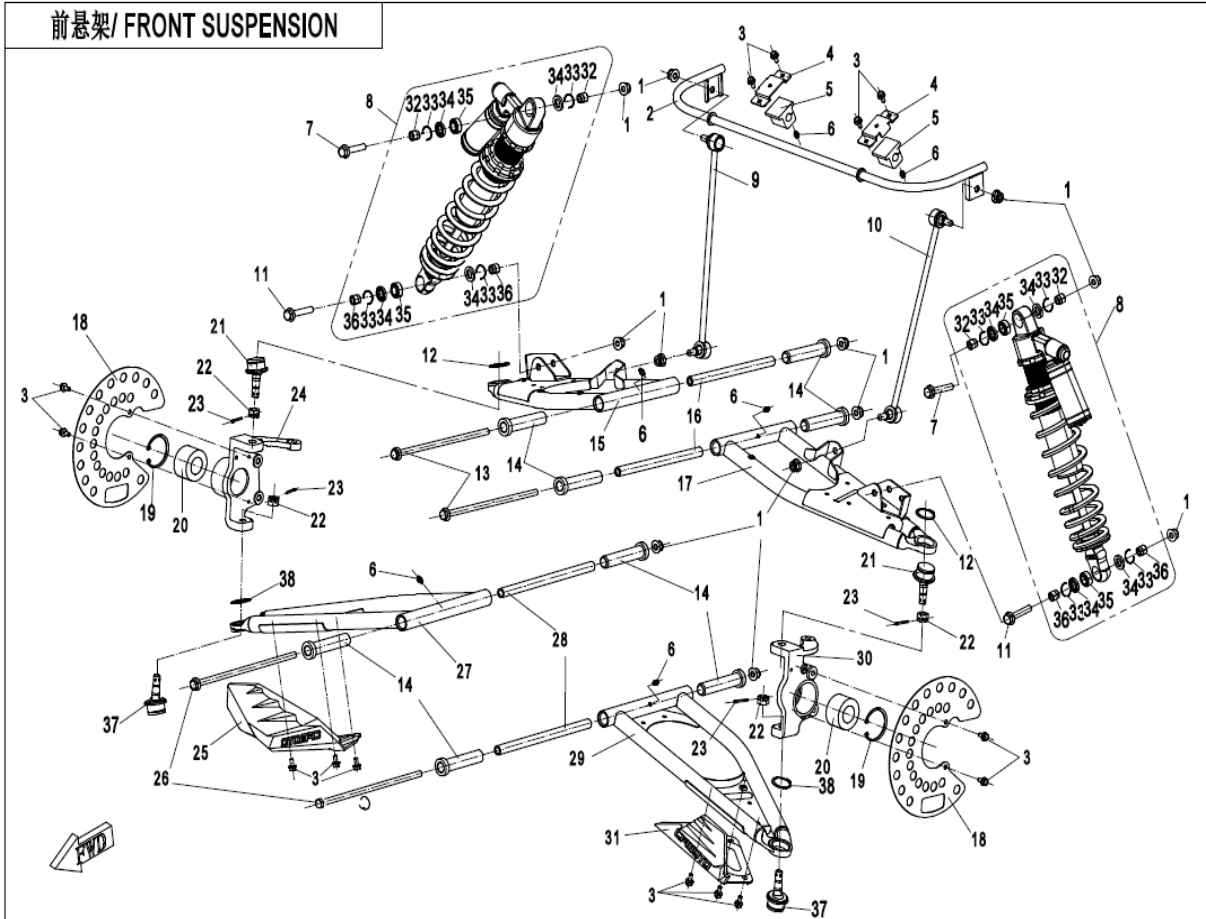
Item No.	Parts Number	Parts Name(EN)	Qty	Specification
01	7000-044501	EPS DECO COVER	1	
02	7000-044502	LH TRUNK COVER	1	
03	7000-044503	LH ASSYARTMENT	1	
04	7020-040315	BAND, FUEL TANK FILLER COVER	1	
05	8010-000002	CLAMP ST4.2	1	ST4.2
06	0180-015003	RUBBER SLEEVE	2	
07	30110-480160010	SELF-TAPPING SCREW ST4.8x16	1	ST4.8x16
08	30006-060016810	BOLT M6x16	2	M6x16



F05-A-A-V2 前悬架(2017) FRONT SUSPENSION(2017)

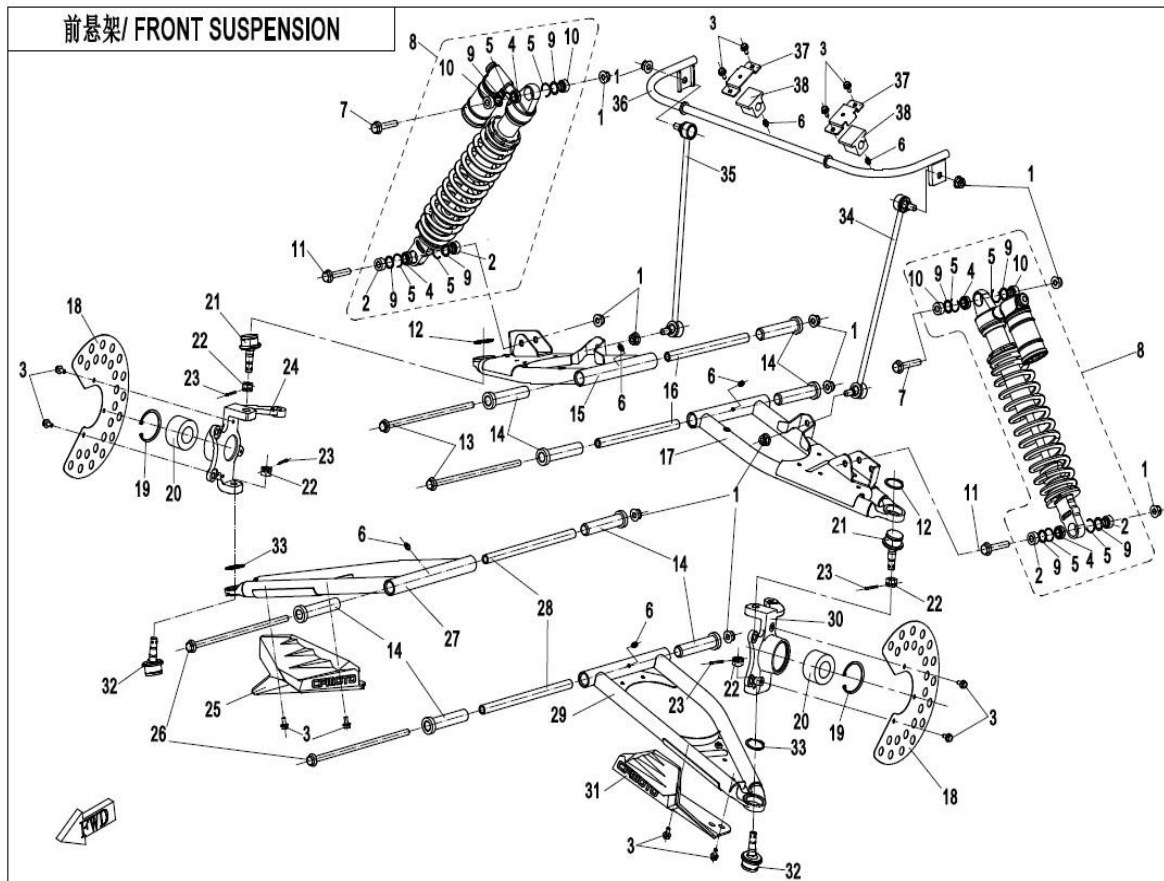
Item No.	Parts Number	Parts Name(EN)	Qty	Specification
01	30204-102810	NUT M10x1.25	12	M10x1.25
02	7000-050610	FRONT SWAY BAR ASSY	1	
03	30006-060012810	BOLT M6x12	14	M6x12
04	9060-050602	COVER, FRONT SWAY BAR	2	
05	7000-050601	RUBBER SEAT, FRONT SWAY BAR	2	
06	3121401	GREASE ZERK	6	
07	30006-102050810	BOLT M10x1.25x50	2	M10x1.25x50
08	7000-050500-1E800	FRONT SHOCK ABSORBER	2	CORAL BLUE
08	7000-050500-1R000	FRONT SHOCK ABSORBER	2	RED
08	7000-050500-10000	FRONT SHOCK ABSORBER	2	WHITE
09	9060-050640-1000	FRONT RH SWAY LINKAGE BAR	1	
10	9060-050620-1000	FRONT LH SWAY LINKAGE BAR	1	
11	30006-102055810	BOLT M10x1.25x55	2	M10x1.25x55
12	30801-03205	CIRCLIPS FOR SHAFT 32	2	32 A-TYPE
13	4060-060101	MOUNTING SHAFT, REAR ARM	2	
14	9060-050002	LONG BUSHING, SWING ARM	8	
15	7000-050110-0E800	FRONT UPPER SWING ARM, RH	1	CORAL BLUE
15	7000-050110-0R000	FRONT UPPER SWING ARM, RH	1	RED
15	7000-050110-0V200	FRONT UPPER SWING ARM, RH	1	PEARL WHITE
15	7000-050110	FRONT UPPER SWING ARM, RH	1	ELECTROPHORESIS BLACK
16	9060-060101-00001	SPACER, REAR UPPER SWING ARM	2	
17	7000-050310	FRONT UPPER SWING ARM, LH	1	ELECTROPHORESIS BLACK
17	7000-050310-0R000	FRONT UPPER SWING ARM, LH	1	RED
17	7000-050310-0V200	FRONT UPPER SWING ARM, LH	1	PEARL WHITE
17	7000-050310-0E800	FRONT UPPER SWING ARM, LH	1	CORAL BLUE
18	7000-050001	GUARD, BRAKE DISC	2	
19	30800-05505	CIRCLIP FOR HOLE 55	2	55
20	9GQ0-050710	BEARING, HUB	2	
21	9030-050600-10000	MAIN PIN ASSY	2	CCVI
21	9030-050600	MAIN PIN ASSY	2	SOMIC
22	30219-122810	NUT M12x1.25	4	M12x1.25
23	30903-0322210	COTTER PIN	4	3.2x22
24	7000-050802	STEERING KNUCKLE, RH	1	
25	7000-050004	RH PANEL, FRONT SUSPENSION	1	
26	4060-050101	SHAFT, FRONT SWING ARM	2	
27	7000-050210-2000	FRONT LOWER SWING ARM, RH	1	BLACK
27	7000-050210-2V200	FRONT LOWER SWING ARM, RH	1	PEARL WHITE
28	9060-050101-00001	SPACER, FRONT SWING ARM	2	
29	7000-050410-2V200	FRONT LOWER SWING ARM, LH	1	PEARL WHITE
29	7000-050410-20000	FRONT LOWER SWING ARM, LH	1	BLACK
30	7000-050702	STEERING KNUCKLE, LH	1	
31	7000-050003	LH PANEL, FRONT SUSPENSION	1	
32	7000-050503	SPACER RING	4	
33	7000-050501	O-RING	8	
34	7000-050502	CIRCLIP	8	
35	7000-050510	BEARING ASSY	4	
36	7000-050504	SPACER RING 1	4	
37	9060-050900	BALL PIN ASSY	2	SOMIC
37	9060-050900-10000	BALL PIN ASSY	2	CCVI
38	30801-03405	CIRCLIPS FOR SHAFT 34	2	34

前悬架 / FRONT SUSPENSION



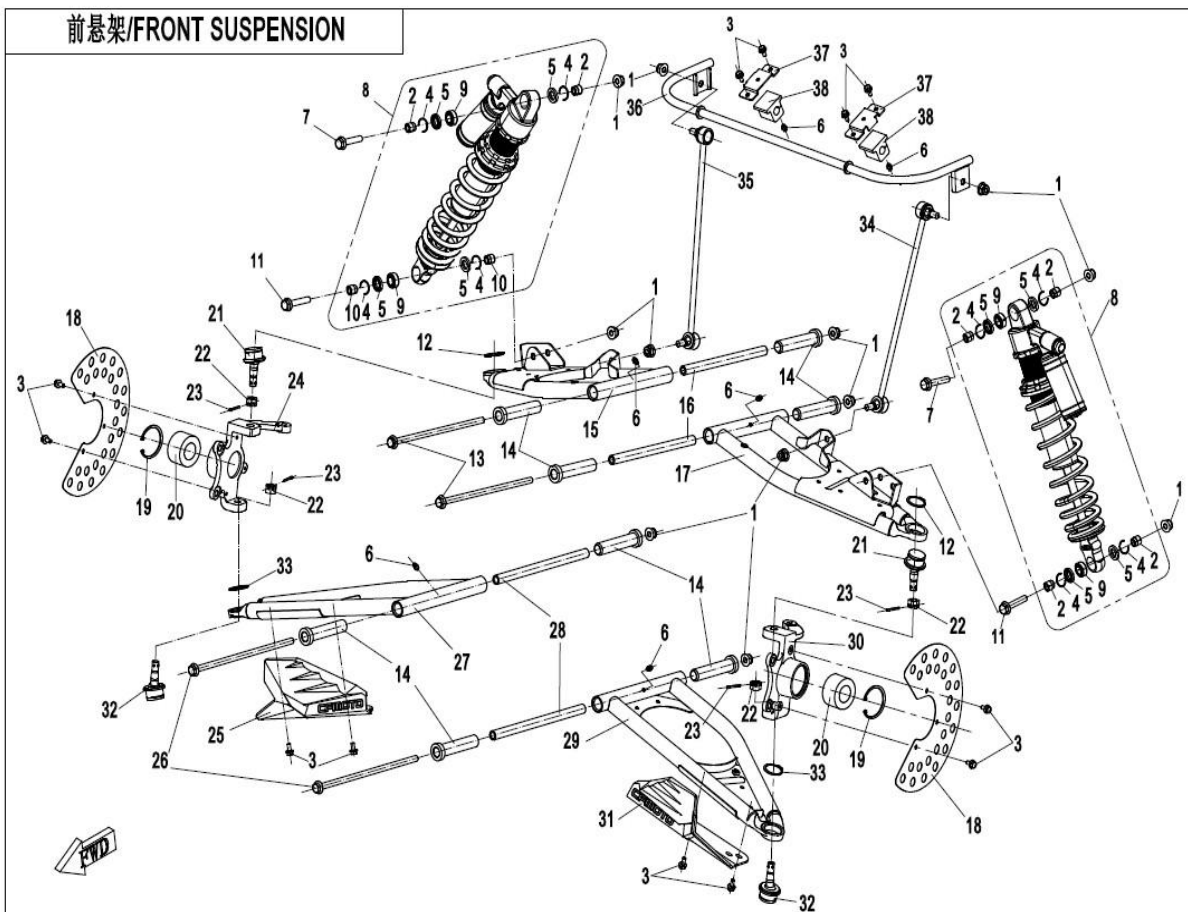
F05-A-B FRONT SUSPENSION(2017,OIL AND GAS MIXTURE SHOCK ABSORBER)

Item No.	Parts Number	Parts Name(EN)	Qty	Specification
01	30204-102810	NUT M10x1.25	12	M10x1.25
02	7000-050610	FRONT SWAY BAR ASSY	1	
03	30006-060012810	BOLT M6x12	14	M6x12
04	9060-050602	COVER, FRONT SWAY BAR	2	
05	7000-050601	RUBBER SEAT, FRONT SWAY BAR	2	
06	3121401	GREASE ZERK	6	
07	30006-102050810	BOLT M10x1.25x50	2	M10x1.25x50
08	7000-050500-20000	FRONT SHOCK ABSORBER ASSY	2	WHITE
09	9060-050640-1000	FRONT RH SWAY LINKAGE BAR	1	
10	9060-050620-1000	FRONT LH SWAY LINKAGE BAR	1	
11	30006-102055810	BOLT M10x1.25x55	2	M10x1.25x55
12	30801-03205	CIRCLIPS FOR SHAFT 32	2	32 A-TYPE
13	4060-060101	MOUNTING SHAFT, REAR ARM	2	
14	9060-050002	LONG BUSHING, SWING ARM	8	
15	7000-050110-0E800	FRONT UPPER SWING ARM, RH	1	CORAL BLUE
15	7000-050110-0R000	FRONT UPPER SWING ARM, RH	1	RED
15	7000-050110-0V200	FRONT UPPER SWING ARM, RH	1	PEARL WHITE
15	7000-050110	FRONT UPPER SWING ARM, RH	1	ELECTROPHORESIS BLACK
16	9060-060101-00001	SPACER, REAR UPPER SWING ARM	2	
17	7000-050310	FRONT UPPER SWING ARM, LH	1	ELECTROPHORESIS BLACK
17	7000-050310-0R000	FRONT UPPER SWING ARM, LH	1	RED
17	7000-050310-0V200	FRONT UPPER SWING ARM, LH	1	PEARL WHITE
17	7000-050310-0E800	FRONT UPPER SWING ARM, LH	1	CORAL BLUE
18	7000-050001	GUARD, BRAKE DISC	2	
19	30800-05505	CIRCLIP FOR HOLE 55	2	55
20	9GQ0-050710	BEARING, HUB	2	
21	9030-050600-10000	MAIN PIN ASSY	2	CCVI
21	9030-050600	MAIN PIN ASSY	2	SOMIC
22	30219-122810	NUT M12x1.25	4	M12x1.25
23	30903-0322210	COTTER PIN	4	3.2x22
24	7000-050802	STEERING KNUCKLE, RH	1	
25	7000-050004	RH PANEL, FRONT SUSPENSION	1	
26	4060-050101	SHAFT, FRONT SWING ARM	2	
27	7000-050210-2000	FRONT LOWER SWING ARM,RH	1	BLACK
27	7000-050210-2V200	FRONT LOWER SWING ARM,RH	1	PEARL WHITE
28	9060-050101-00001	SPACER, FRONT SWING ARM	2	
29	7000-050410-2V200	FRONT LOWER SWING ARM,LH	1	PEARL WHITE
29	7000-050410-20000	FRONT LOWER SWING ARM,LH	1	BLACK
30	7000-050702	STEERING KNUCKLE, LH	1	
31	7000-050003	LH PANEL, FRONT SUSPENSION	1	
32	7020-051602-30000	LOWER BUSHING, SHOCK ABSORBER	4	
33	7020-051603-30000	CIRCLIP	8	
34	7020-051604-30000	ANTI-DUST SEAL	8	
35	7020-051610-30000	BEARING ASSY	4	
36	7000-050505	LOWER BUSHING, SHOCK ABSORBER	4	
37	9060-050900	BALL PIN ASSY	2	SOMIC
37	9060-050900-10000	BALL PIN ASSY	2	CCVI
38	30801-03405	CIRCLIPS FOR SHAFT 34	2	34



F05-B-A-V4 前悬架(2018) FRONT SUSPENSION(2018)

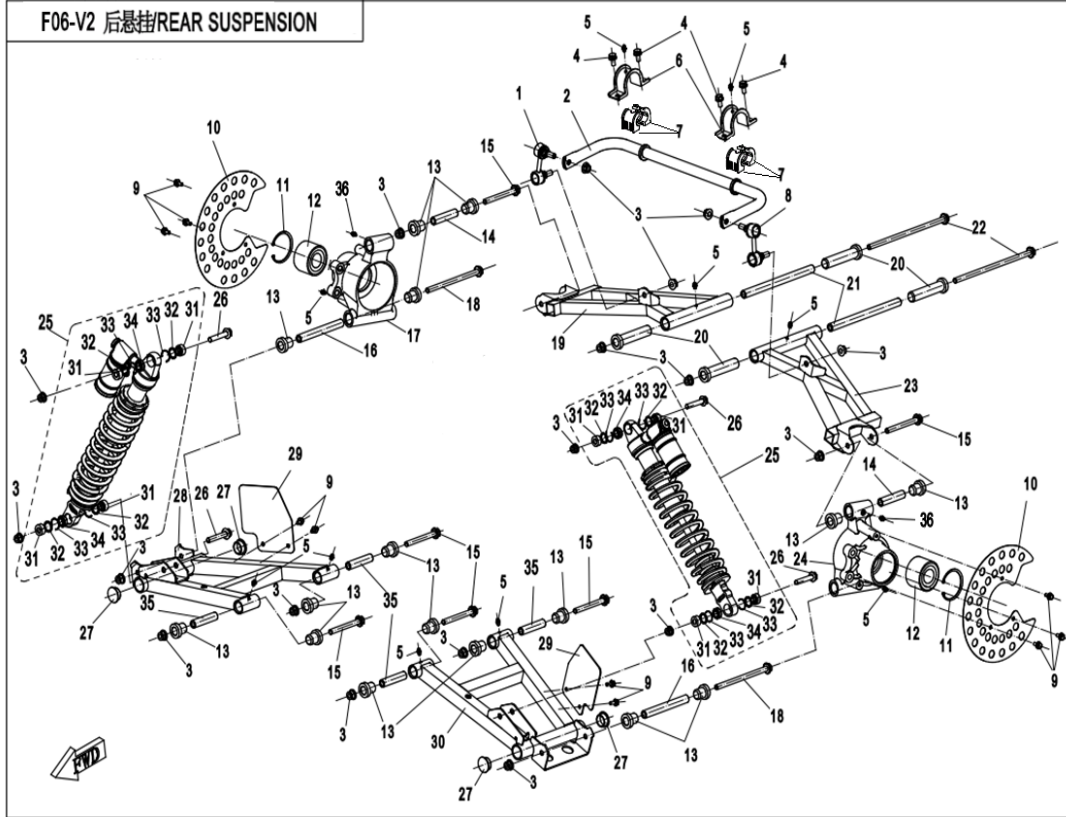
Item No.	Parts Number	Parts Name(EN)	Qty	Specification
01	30204-102810	NUT M10x1.25	12	M10x1.25
02	7000-050504	SPACER RING 1	4	
03	30006-060012810	BOLT M6x12	12	M6x12
04	7000-050510	BEARING ASSY	4	
05	7000-050502	CIRCLIP	8	
06	3121401	GREASE ZERK	6	
07	30006-102050810	BOLT M10x1.25x50	2	M10x1.25x50
08	7000-050500-1E800	FRONT SHOCK ABSORBER	2	CORAL BLUE
08	7000-050500-1R000	FRONT SHOCK ABSORBER	2	RED
08	7000-050500-10000	FRONT SHOCK ABSORBER	2	WHITE
09	7000-050501	O-RING	8	
10	7000-050503	SPACER RING	4	
11	30006-102055810	BOLT M10x1.25x55	2	M10x1.25x55
12	30801-03205	CIRCLIPS FOR SHAFT 32	2	32 A-TYPE
13	4060-060101	MOUNTING SHAFT, REAR ARM	2	
14	9060-050002	LONG BUSHING, SWING ARM	8	
15	7000-050110-1B000	FRONT UPPER SWING ARM, RH	1	BLACK
15	7000-050110-1E800	FRONT UPPER SWING ARM, RH	1	CORAL BLUE
15	7000-050110-1R000	FRONT UPPER SWING ARM, RH	1	RED
15	7000-050110-1V200	FRONT UPPER SWING ARM, RH	1	PEARL WHITE
16	9060-060101-00001	SPACER, REAR UPPER SWING ARM	2	
17	7000-050310-1V200	FRONT UPPER SWING ARM, LH	1	PEARL WHITE
17	7000-050310-1B000	FRONT UPPER SWING ARM, LH	1	BLACK
17	7000-050310-1E800	FRONT LH UPPER SWING ARM	1	
17	7000-050310-1R000	FRONT UPPER SWING ARM, LH	1	RED
18	5BWB-050001	GUARD, BRAKE DISC	2	
19	30800-05505	CIRCLIP FOR HOLE 55	2	55
20	9GQ0-050710	BEARING, HUB	2	
21	9030-050600-10000	MAIN PIN ASSY	2	CCVI
21	9030-050600	MAIN PIN ASSY	2	SOMIC
22	30219-122810	NUT M12x1.25	4	M12x1.25
23	30903-0322210	COTTER PIN	4	3.2x22
24	5BWB-050802	STEERING KNUCKLE,RH	1	
25	5BWB-050004	RH PANEL, FRONT SUSPENSION	1	
26	4060-050101	SHAFT, FRONT SWNG ARM	2	
27	7000-050210-3B000	FRONT LOWER SWING ARM,RH	1	BLACK
27	7000-050210-3E800	FRONT RH LOWER SWING ARM	1	CORAL BLUE
27	7000-050210-3R000	FRONT LOWER SWING ARM, RH	1	RED
27	7000-050210-3V200	FRONT RH LOWER SWING ARM	1	PEARL WHITE
28	9060-050101-00001	SPACER, FRONT SWING ARM	2	
29	7000-050410-3B000	FRONT LH LOWER SWING ARM	1	BLACK
29	7000-050410-3E800	FRONT LH LOWER SWING ARM	1	CORAL BLUE
29	7000-050410-3R000	FRONT LOWER SWING ARM, LH	1	RED
29	7000-050410-3V200	FRONT LH LOWER SWING ARM	1	PEARL WHITE
30	5BWB-050702	STEERING KNUCKLE,LH	1	
31	5BWB-050003	LH PANEL, FRONT SUSPENSION	1	
32	9060-050900	BALL PIN ASSY	2	SOMIC
32	9060-050900-10000	BALL PIN ASSY	2	CCVI
33	30801-03405	CIRCLIPS FOR SHAFT 34	2	34
34	9060-050620-1000	FRONT LH SWAY LINKAGE BAR	1	
35	9060-050640-1000	FRONT RH SWAY LINKAGE BAR	1	
36	7000-050610	FRONT SWAY BAR ASSY	1	
37	9060-050602	COVER, FRONT SWAY BAR	2	
38	7000-050601	RUBBER SEAT, FRONT SWAY BAR	2	



F05-B-B-V3 FRONT SUSPENSION(2018,OIL SHOCK ABSORBER)

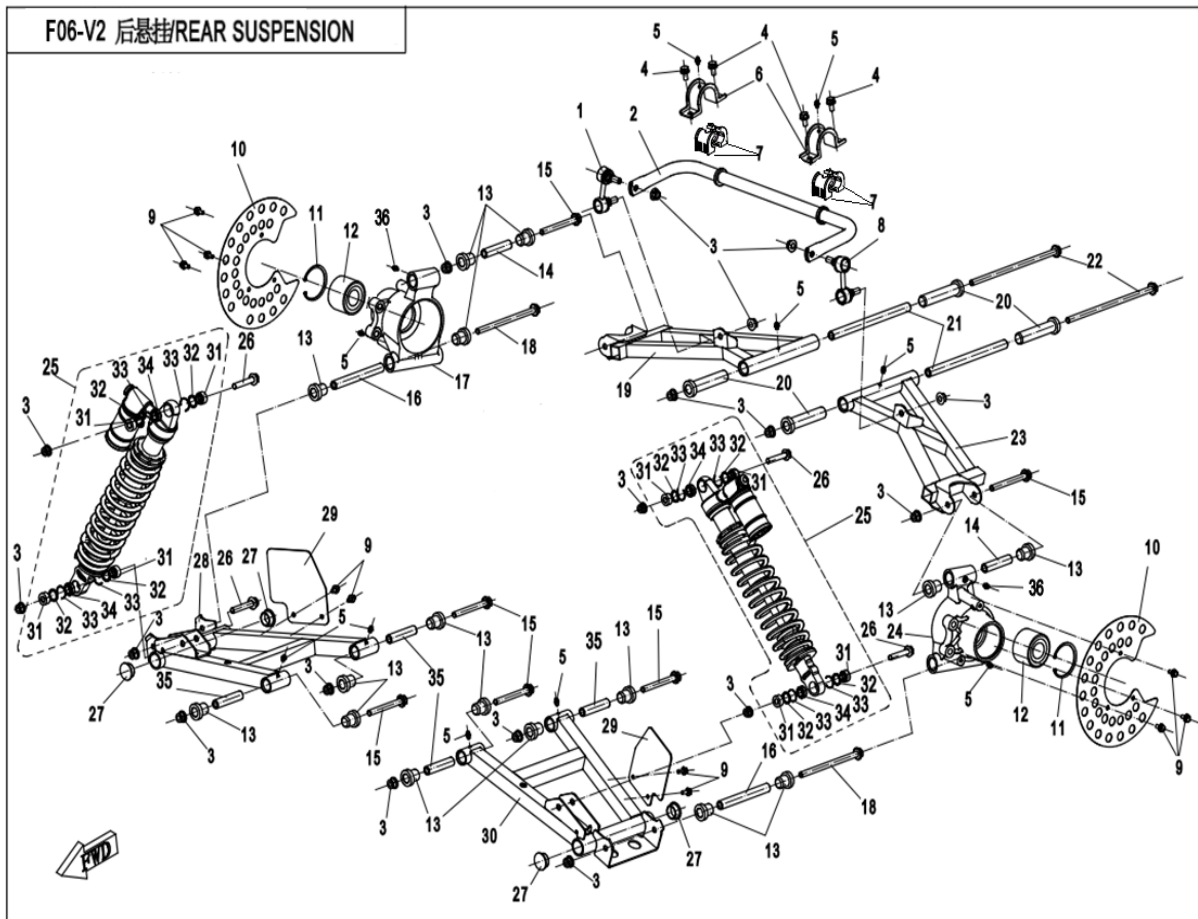
Item No.	Parts Number	Parts Name(EN)	Qty	Specification
01	30204-102810	NUT M10x1.25	8	M10x1.25
02	7020-051602-30000	LOWER BUSHING, SHOCK ABSORBER	4	
03	30006-060012810	BOLT M6x12	8	M6x12
04	7020-051603-30000	CIRCLIP	8	
05	7020-051604-30000	ANTI-DUST SEAL	8	
06	3121401	GREASE ZERK	4	
07	30006-102050810	BOLT M10x1.25x50	2	M10x1.25x50
08	7000-050500-20000	FRONT SHOCK ABSORBER ASSY	2	WHITE
09	7020-051610-30000	BEARING ASSY	4	
10	7000-050505	LOWER BUSHING, SHOCK ABSORBER	4	
11	30006-102055810	BOLT M10x1.25x55	2	M10x1.25x55
12	30801-03205	CIRCLIPS FOR SHAFT 32	2	32 A-TYPE
13	4060-060101	MOUNTING SHAFT, REAR ARM	2	
14	9060-050002	LONG BUSHING, SWING ARM	8	
15	7000-050110-1V200	FRONT UPPER SWING ARM, RH	1	PEARL WHITE
15	7000-050110-1E800	FRONT UPPER SWING ARM, RH	1	CORAL BLUE
15	7000-050110-1R000	FRONT UPPER SWING ARM, RH	1	RED
15	7000-050110-1B000	FRONT UPPER SWING ARM, RH	1	BLACK
16	9060-060101-00001	SPACER, REAR UPPER SWING ARM	2	
17	7000-050310-1R000	FRONT UPPER SWING ARM, LH	1	RED
17	7000-050310-1B000	FRONT UPPER SWING ARM, LH	1	BLACK
17	7000-050310-1E800	FRONT LH UPPER SWING ARM	1	
17	7000-050310-1V200	FRONT UPPER SWING ARM, LH	1	PEARL WHITE
18	5BWB-050001	GUARD, BRAKE DISC	2	
19	30800-05505	CIRCLIP FOR HOLE 55	2	55
20	9GQ0-050710	BEARING, HUB	2	
21	9030-050600-10000	MAIN PIN ASSY	2	CCVI
21	9030-050600	MAIN PIN ASSY	2	SOMIC
22	30219-122810	NUT M12x1.25	4	M12x1.25
23	30903-0322210	COTTER PIN	4	3.2x22
24	5BWB-050802	STEERING KNUCKLE,RH	1	
25	5BWB-050004	RH PANEL, FRONT SUSPENSION	1	
26	4060-050101	SHAFT, FRONT SWNG ARM	2	
27	7000-050210-3V200	FRONT RH LOWER SWING ARM	1	PEARL WHITE
27	7000-050210-3R000	FRONT LOWER SWING ARM, RH	1	RED
27	7000-050210-3E800	FRONT RH LOWER SWING ARM	1	CORAL BLUE
27	7000-050210-3B000	FRONT LOWER SWING ARM,RH	1	BLACK
28	9060-050101-00001	SPACER, FRONT SWING ARM	2	
29	7000-050410-3B000	FRONT LH LOWER SWING ARM	1	BLACK
29	7000-050410-3E800	FRONT LH LOWER SWING ARM	1	CORAL BLUE
29	7000-050410-3R000	FRONT LOWER SWING ARM, LH	1	RED
29	7000-050410-3V200	FRONT LH LOWER SWING ARM	1	PEARL WHITE
30	5BWB-050702	STEERING KNUCKLE,LH	1	
31	5BWB-050003	LH PANEL, FRONT SUSPENSION	1	
32	9060-050900	BALL PIN ASSY	2	SOMIC
32	9060-050900-10000	BALL PIN ASSY	2	CCVI
33	30801-03405	CIRCLIPS FOR SHAFT 34	2	34
34	9060-050620-1000	FRONT LH SWAY LINKAGE BAR	1	
35	9060-050640-1000	FRONT RH SWAY LINKAGE BAR	1	
36	7000-050610	FRONT SWAY BAR ASSY	1	
37	9060-050602	COVER, FRONT SWAY BAR	2	
38	7000-050601	RUBBER SEAT, FRONT SWAY BAR	2	

F06-V2 后悬挂/REAR SUSPENSION



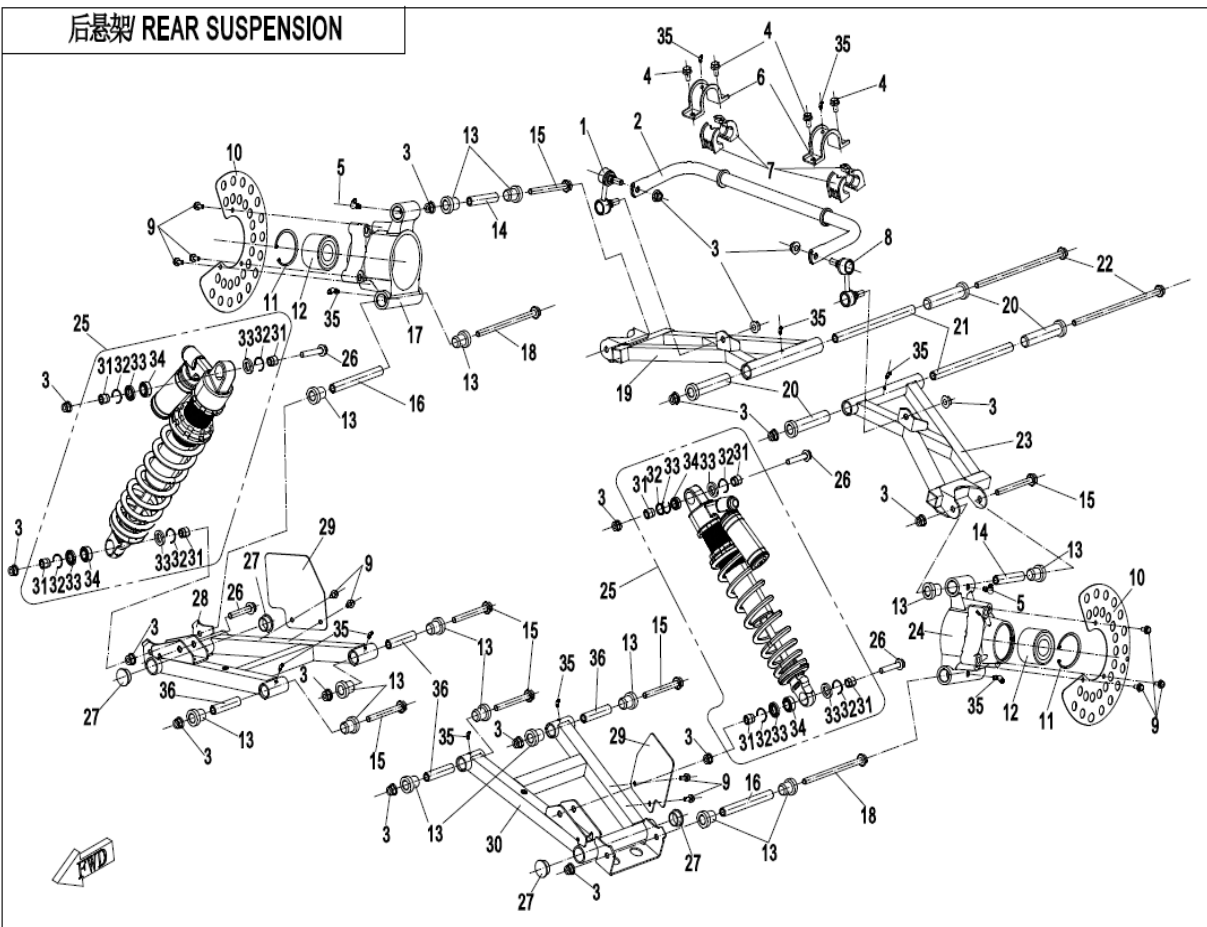
F06-A-A-V2 后悬架 (2017) REAR SUSPENSION (2017)

Item No.	Parts Number	Parts Name(EN)	Qty	Specification
01	9010-060800-1000	BALL PIN, RH	1	SOMIC
01	9010-060800-20000	BALL PIN, RH	1	CCVI
02	7000-060610-10000	REAR SWAY BAR ASSY	1	
03	30204-080810	NUT M8	18	M8
04	30006-080016810	BOLT M8x16	4	M8x16
05	3121401	GREASE ZERK	10	
06	9030-060002	COVER, SWAY BAR	2	
07	7000-060003	SUPPORTER, SWAY BAR	4	
08	9010-060700-20000	BALL PIN, LH	1	CCVI
08	9010-060700-1000	BALL PIN, LH	1	SOMIC
09	30006-060012810	BOLT M6x12	10	M6x12
10	9060-060001	GUARD, REAR BRAKE DISC	2	
11	30800-06300	CIRCLIP FOR HOLE 63	2	63
12	30499-03081	BEARING, HUB	2	DAC3063W
13	9060-050003	SHORT BUSHING, SWING ARM	16	
14	9060-060701-10001	UPPER MIDDLE SPACER, REAR BEARING CARRIER	2	
15	30001-102095110	BOLT M10x1.25x95	6	M10x1.25x95
16	9060-060702-10001	LOWER MIDDLE SPACER, REAR BEARING CARRIER	2	
17	9060-060703-20000	SUPPORT, REAR LH WHEEL SHAFT	1	
18	9060-060704	LOWER MOUNTING SHAFT, REAR BEARING CARRIER	2	
19	7000-060110-0R000	REAR UPPER SWING ARM, RH	1	RED
19	7000-060110-0E800	REAR UPPER SWING ARM, RH	1	
19	7000-060110	REAR UPPER SWING ARM, RH	1	ELECTROPHORESIS BLACK
19	7000-060110-0V200	REAR UPPER SWING ARM, RH	1	PEARL WHITE
19	7000-060110-0E801	REAR UPPER SWINGARM, RH	1	CORAL BLUE
19	7000-060110-0R001	REAR UPPER SWINGARM, RH	1	RED
19	7000-060110-00001	REAR UPPER SWINGARM, RH	1	BLACK
19	7000-060110-0V201	REAR UPPER SWINGARM, RH	1	PEARL WHITE
20	9060-050002	LONG BUSHING, SWING ARM	4	
21	9060-060101-00001	SPACER, REAR UPPER SWING ARM	2	
22	4060-060101	MOUNTING SHAFT, REAR ARM	2	
23	7000-060310-0R000	REAR UPPER SWING ARM, LH	1	RED
23	7000-060310-0E800	REAR UPPER SWING ARM, LH	1	
23	7000-060310	REAR UPPER SWING ARM, LH	1	ELECTROPHORESIS BLACK
23	7000-060310-00001	REAR UPPER SWING ARM,LH	1	BLACK
23	7000-060310-0R001	REAR UPPER SWINGARM, LH	1	RED
23	7000-060310-0E801	REAR UPPER SWINGARM, LH	1	CORAL BLUE
23	7000-060310-0V201	REAR UPPER SWINGARM, LH	1	PEARL WHITE
23	7000-060310-0V200	REAR UPPER SWING ARM, LH	1	PEARL WHITE
24	9060-060803-20000	HOLDER, REAR RH WHEEL SHAFT	1	
25	7000-060500-1R000	REAR SHOCK ABSORBER	2	RED
25	7000-060500-1E800	REAR SHOCK ABSORBER	2	CORAL BLUE
25	7000-060500-10000	REAR SHOCK ABSORBER ASSY	2	WHITE
26	30006-102055810	BOLT M10x1.25x55	4	M10x1.25x55
27	9060-060002	PLUG, REAR SUSPENSION	4	
28	7000-060210-0R000	REAR LOWER SWING ARM, RH	1	RED
28	7000-060210-0E800	REAR LOWER SWING ARM, RH	1	CORAL BLUE
28	7000-060210	REAR LOWER SWING ARM, RH	1	ELECTROPHORESIS BLACK
28	7000-060210-0V200	REAR LOWER SWING ARM, RH	1	PEARL WHITE
29	9060-050201	FENDER, SUSPENSION	2	
30	7000-060410-0R000	REAR LOWER SWING ARM, LH	1	RED
30	7000-060410-0E800	REAR LOWER SWING ARM, LH	1	CORAL BLUE
30	7000-060410	REAR LOWER SWING ARM, LH	1	ELECTROPHORESIS BLACK
30	7000-060410-0V200	REAR LOWER SWING ARM, LH	1	PEARL WHITE
31	7000-050504	SPACER RING 1	8	
32	7000-050501	O-RING	8	
33	7000-050502	CIRCLIP	8	
34	7000-050510	BEARING ASSY	4	
35	9060-060201-00001	SPACER, REAR LOWER SWING ARM	4	
35	9060-060201	SPACER, REAR LOWER SWING ARM	4	
36	3121400	GREASE NOZZLE	2	90 DEGREE



F06-A-A-V2 后悬架 (2017) REAR SUSPENSION (2017)

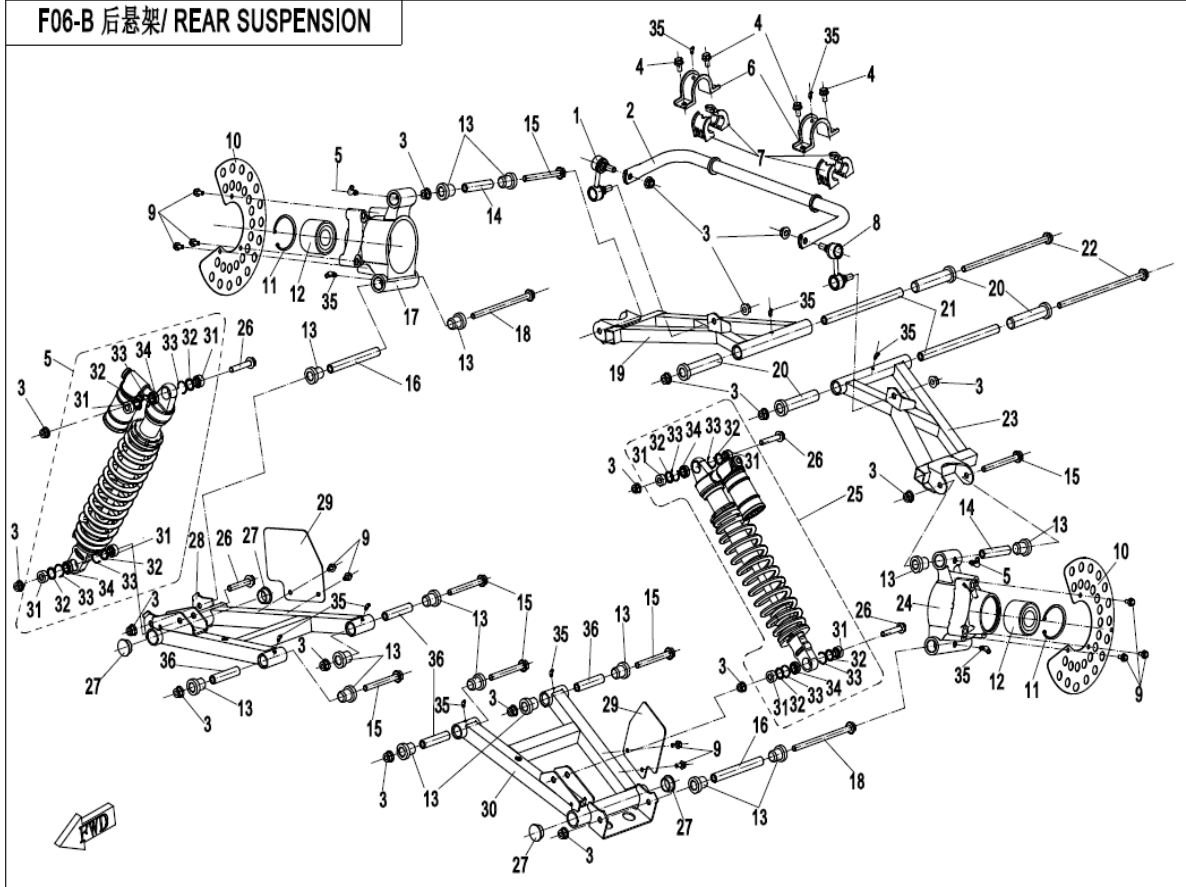
Item No.	Parts Number	Parts Name(EN)	Qty	Specification
01	9010-060800-1000	BALL PIN, RH	1	SOMIC
01	9010-060800-20000	BALL PIN, RH	1	CCVI
02	7000-060610-10000	REAR SWAY BAR ASSY	1	
03	30204-080810	NUT M8	18	M8
04	30006-080016810	BOLT M8x16	4	M8x16
05	3121401	GREASE ZERK	10	
06	9030-060002	COVER, SWAY BAR	2	
07	7000-060003	SUPPORTER, SWAY BAR	4	
08	9010-060700-20000	BALL PIN, LH	1	CCVI
08	9010-060700-1000	BALL PIN, LH	1	SOMIC
09	30006-060012810	BOLT M6x12	10	M6x12
10	9060-060001	GUARD, REAR BRAKE DISC	2	
11	30800-06300	CIRCLIP FOR HOLE 63	2	63
12	30499-03081	BEARING, HUB	2	DAC3063W
13	9060-050003	SHORT BUSHING, SWING ARM	16	
14	9060-060701-10001	UPPER MIDDLE SPACER, REAR BEARING CARRIER	2	
15	30001-102095110	BOLT M10x1.25x95	6	M10x1.25x95
16	9060-060702-10001	LOWER MIDDLE SPACER, REAR BEARING CARRIER	2	
17	9060-060703-20000	SUPPORT, REAR LH WHEEL SHAFT	1	
18	9060-060704	LOWER MOUNTING SHAFT, REAR BEARING CARRIER	2	
19	7000-060110-0R000	REAR UPPER SWING ARM, RH	1	RED
19	7000-060110-0E800	REAR UPPER SWING ARM, RH	1	
19	7000-060110	REAR UPPER SWING ARM, RH	1	ELECTROPHORESIS BLACK
19	7000-060110-0V200	REAR UPPER SWING ARM, RH	1	PEARL WHITE
19	7000-060110-0E801	REAR UPPER SWINGARM, RH	1	CORAL BLUE
19	7000-060110-0R001	REAR UPPER SWINGARM, RH	1	RED
19	7000-060110-00001	REAR UPPER SWINGARM, RH	1	BLACK
19	7000-060110-0V201	REAR UPPER SWINGARM, RH	1	PEARL WHITE
20	9060-050002	LONG BUSHING, SWING ARM	4	
21	9060-060101-00001	SPACER, REAR UPPER SWING ARM	2	
22	4060-060101	MOUNTING SHAFT, REAR ARM	2	
23	7000-060310-0R000	REAR UPPER SWING ARM, LH	1	RED
23	7000-060310-0E800	REAR UPPER SWING ARM, LH	1	
23	7000-060310	REAR UPPER SWING ARM, LH	1	ELECTROPHORESIS BLACK
23	7000-060310-00001	REAR UPPER SWING ARM, LH	1	BLACK
23	7000-060310-0R001	REAR UPPER SWINGARM, LH	1	RED
23	7000-060310-0E801	REAR UPPER SWINGARM, LH	1	CORAL BLUE
23	7000-060310-0V201	REAR UPPER SWINGARM, LH	1	PEARL WHITE
23	7000-060310-0V200	REAR UPPER SWING ARM, LH	1	PEARL WHITE
24	9060-060803-20000	HOLDER, REAR RH WHEEL SHAFT	1	
25	7000-060500-1R000	REAR SHOCK ABSORBER	2	RED
25	7000-060500-1E800	REAR SHOCK ABSORBER	2	CORAL BLUE
25	7000-060500-10000	REAR SHOCK ABSORBER ASSY	2	WHITE
26	30006-102055810	BOLT M10x1.25x55	4	M10x1.25x55
27	9060-060002	PLUG, REAR SUSPENSION	4	
28	7000-060210-0R000	REAR LOWER SWING ARM, RH	1	RED
28	7000-060210-0E800	REAR LOWER SWING ARM, RH	1	CORAL BLUE
28	7000-060210	REAR LOWER SWING ARM, RH	1	ELECTROPHORESIS BLACK
28	7000-060210-0V200	REAR LOWER SWING ARM, RH	1	PEARL WHITE
29	9060-050201	FENDER, SUSPENSION	2	
30	7000-060410-0R000	REAR LOWER SWING ARM, LH	1	RED
30	7000-060410-0E800	REAR LOWER SWING ARM, LH	1	CORAL BLUE
30	7000-060410	REAR LOWER SWING ARM, LH	1	ELECTROPHORESIS BLACK
30	7000-060410-0V200	REAR LOWER SWING ARM, LH	1	PEARL WHITE
31	7000-050504	SPACER RING 1	8	
32	7000-050501	O-RING	8	
33	7000-050502	CIRCLIP	8	
34	7000-050510	BEARING ASSY	4	
35	9060-060201-00001	SPACER, REAR LOWER SWING ARM	4	
35	9060-060201	SPACER, REAR LOWER SWING ARM	4	
36	3121400	GREASE NOZZLE	2	90 DEGREE



F06-A-B REAR SUSPENSION(2017,OIL AND GAS MIXTURE SHOCK ABSORBER)

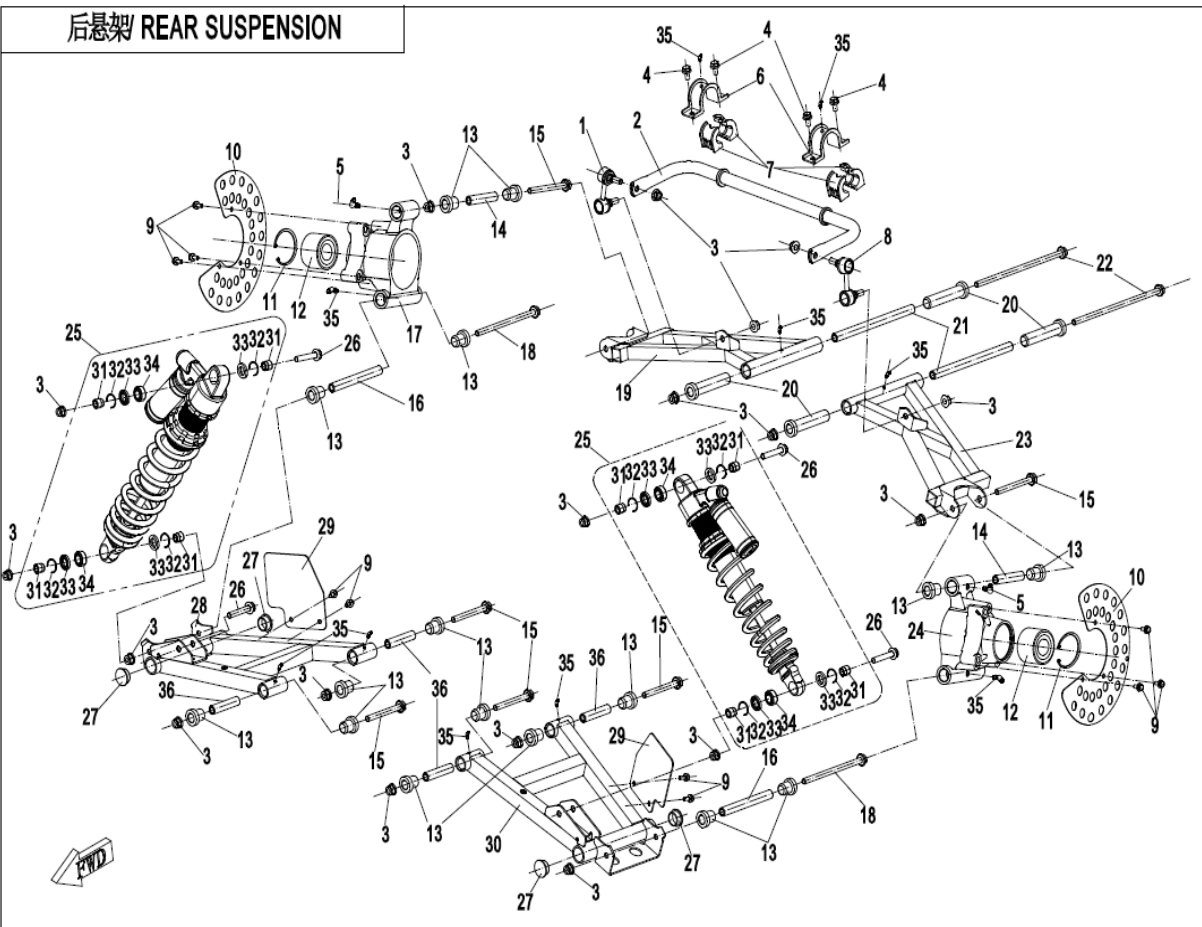
Item No.	Parts Number	Parts Name(EN)	Qty	Specification
01	9010-060800-1000	BALL PIN, RH	1	SOMIC
01	9010-060800-20000	BALL PIN, RH	1	CCVI
02	7000-060610-10000	REAR SWAY BAR ASSY	1	
03	30204-080810	NUT M8	18	M8
04	30006-080016810	BOLT M8x16	4	M8x16
05	3121401	GREASE ZERK	10	
06	9030-060002	COVER, SWAY BAR	2	
07	7000-060003	SUPPORTER, SWAY BAR	4	
08	9010-060700-20000	BALL PIN, LH	1	CCVI
08	9010-060700-1000	BALL PIN, LH	1	SOMIC
09	30006-060012810	BOLT M6x12	10	M6x12
10	9060-060001	GUARD, REAR BRAKE DISC	2	
11	30800-06300	CIRCLIP FOR HOLE 63	2	63
12	30499-03081	BEARING, HUB	2	DAC3063W
13	9060-050003	SHORT BUSHING, SWING ARM	16	
14	9060-060701-10001	UPPER MIDDLE SPACER, REAR BEARING CARRIER	2	
15	30001-102095110	BOLT M10x1.25x95	6	M10x1.25x95
16	9060-060702-10001	LOWER MIDDLE SPACER, REAR BEARING CARRIER	2	
17	9060-060703-20000	SUPPORT, REAR LH WHEEL SHAFT	1	
18	9060-060704	LOWER MOUNTING SHAFT, REAR BEARING CARRIER	2	
19	7000-060110-0E801	REAR UPPER SWINGARM, RH	1	CORAL BLUE
19	7000-060110-0R001	REAR UPPER SWINGARM, RH	1	RED
19	7000-060110-00001	REAR UPPER SWINGARM, RH	1	BLACK
19	7000-060110-0V201	REAR UPPER SWINGARM, RH	1	PEARL WHITE
19	7000-060110-0E800	REAR UPPER SWING ARM, RH	1	RED
19	7000-060110-0R000	REAR UPPER SWING ARM, RH	1	RED
19	7000-060110	REAR UPPER SWING ARM, RH	1	ELECTROPHORESIS BLACK
19	7000-060110-0V200	REAR UPPER SWING ARM, RH	1	PEARL WHITE
20	9060-050002	LONG BUSHING, SWING ARM	4	
21	9060-060101-00001	SPACER, REAR UPPER SWING ARM	2	
22	4060-060101	MOUNTING SHAFT, REAR ARM	2	
23	7000-060310-00001	REAR UPPER SWING ARM, LH	1	BLACK
23	7000-060310-0R001	REAR UPPER SWINGARM, LH	1	RED
23	7000-060310-0E801	REAR UPPER SWINGARM, LH	1	CORAL BLUE
23	7000-060310-0V201	REAR UPPER SWINGARM, LH	1	PEARL WHITE
23	7000-060310	REAR UPPER SWING ARM, LH	1	ELECTROPHORESIS BLACK
23	7000-060310-0R000	REAR UPPER SWING ARM, LH	1	RED
23	7000-060310-0E800	REAR UPPER SWING ARM, LH	1	RED
23	7000-060310-0V200	REAR UPPER SWING ARM, LH	1	PEARL WHITE
24	9060-060803-20000	HOLDER, REAR RH WHEEL SHAFT	1	
25	7000-060500-20000	REAR SHOCK ABSORBER ASSY	2	WHITE
26	30006-102055810	BOLT M10x1.25x55	4	M10x1.25x55
27	9060-060002	PLUG, REAR SUSPENSION	4	
28	7000-060210-0E800	REAR LOWER SWING ARM, RH	1	CORAL BLUE
28	7000-060210	REAR LOWER SWING ARM, RH	1	ELECTROPHORESIS BLACK
28	7000-060210-0R000	REAR LOWER SWING ARM, RH	1	RED
28	7000-060210-0V200	REAR LOWER SWING ARM, RH	1	PEARL WHITE
29	9060-050201	FENDER, SUSPENSION	2	
30	7000-060410-0R000	REAR LOWER SWING ARM, LH	1	RED
30	7000-060410-0E800	REAR LOWER SWING ARM, LH	1	CORAL BLUE
30	7000-060410	REAR LOWER SWING ARM, LH	1	ELECTROPHORESIS BLACK
30	7000-060410-0V200	REAR LOWER SWING ARM, LH	1	PEARL WHITE
31	7000-050505	LOWER BUSHING, SHOCK ABSORBER	4	
32	7020-051603-30000	CIRCLIP	8	
33	7020-051604-30000	ANTI-DUST SEAL	8	
34	7020-051610-30000	BEARING ASSY	4	
35	9060-060201-00001	SPACER, REAR LOWER SWING ARM	4	
35	9060-060201	SPACER, REAR LOWER SWING ARM	4	
36	3121400	GREASE NOZZLE	2	90 DEGREE

F06-B 后悬架/ REAR SUSPENSION



F06-B-A 后悬架(2018) REAR SUSPENSION(2018)

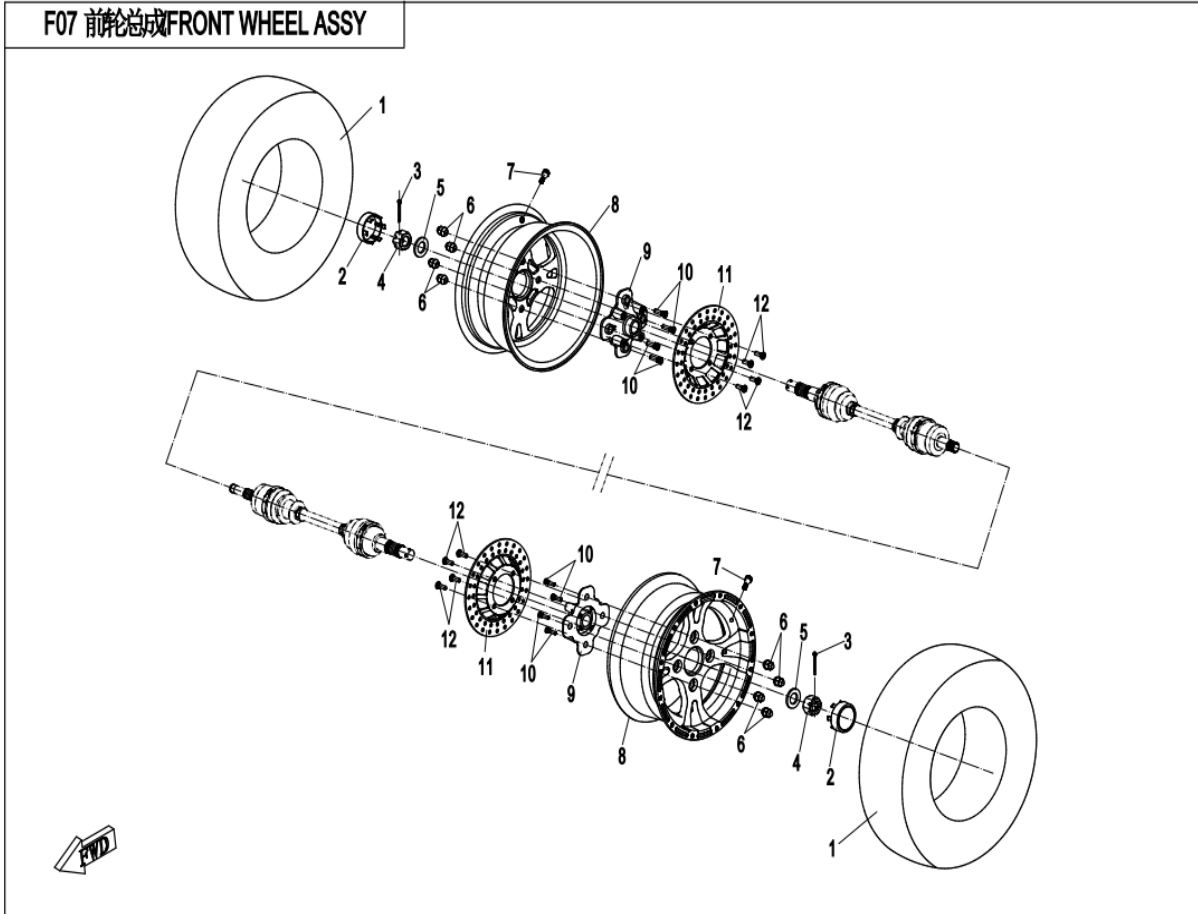
Item No.	Parts Number	Parts Name(EN)	Qty	Specification
01	9010-060800-1000	BALL PIN, RH	1	SOMIC
01	9010-060800-20000	BALL PIN, RH	1	CCVI
02	7000-060610-10000	REAR SWAY BAR ASSY	1	
03	30204-080810	NUT M8	18	M8
04	30006-080016810	BOLT M8x16	4	M8x16
05	3121400	GREASE NOZZLE	2	90 DEGREE
06	9030-060002	COVER, SWAY BAR	2	
07	7000-060003	SUPPORTER, SWAY BAR	4	
08	9010-060700-1000	BALL PIN, LH	1	SOMIC
08	9010-060700-20000	BALL PIN, LH	1	CCVI
09	30006-060012810	BOLT M6x12	10	M6x12
10	5BWB-060003	GUARD, REAR BRAKE DISC	2	
11	30800-06300	CIRCLIP FOR HOLE 63	2	63
12	30499-03081	BEARING, HUB	2	DAC3063W
13	9060-050003	SHORT BUSHING, SWING ARM	16	
14	9060-060701-10001	UPPER MIDDLE SPACER, REAR BEARING CARRIER	2	
15	30001-102095110	BOLT M10x1.25x95	6	M10x1.25x95
16	9060-060702-10002	LOWER MIDDLE SPACER, REAR BEARING CARRIER	2	
16	9060-060702-10001	LOWER MIDDLE SPACER, REAR BEARING CARRIER	2	
17	5BWB-060703-00001	SUPPORT, REAR LH WHEEL SHAFT	1	
18	9060-060704	LOWER MOUNTING SHAFT, REAR BEARING CARRIER	2	
19	7000-060110-00001	REAR UPPER SWINGARM, RH	1	BLACK
19	7000-060110-0E801	REAR UPPER SWINGARM, RH	1	CORAL BLUE
19	7000-060110-0R001	REAR UPPER SWINGARM, RH	1	RED
19	7000-060110-0V201	REAR UPPER SWINGARM, RH	1	PEARL WHITE
20	9060-050002	LONG BUSHING, SWING ARM	4	
21	9060-060101-00001	SPACER, REAR UPPER SWING ARM	2	
22	4060-060101	MOUNTING SHAFT, REAR ARM	2	
23	7000-060310-00001	REAR UPPER SWING ARM, LH	1	BLACK
23	7000-060310-0E801	REAR UPPER SWINGARM, LH	1	CORAL BLUE
23	7000-060310-0R001	REAR UPPER SWINGARM, LH	1	RED
23	7000-060310-0V201	REAR UPPER SWINGARM, LH	1	PEARL WHITE
24	5BWB-060803-00001	HOLDER, REAR RH WHEEL SHAFT	1	
25	7000-060500-10000	REAR SHOCK ABSORBER ASSY	2	WHITE
25	7000-060500-1E800	REAR SHOCK ABSORBER	2	CORAL BLUE
25	7000-060500-1R000	REAR SHOCK ABSORBER	2	RED
26	30006-102055810	BOLT M10x1.25x55	4	M10x1.25x55
27	9060-060002	PLUG, REAR SUSPENSION	4	
28	7000-060210	REAR LOWER SWING ARM, RH	1	ELECTROPHORESIS BLACK
28	7000-060210-0E800	REAR LOWER SWING ARM, RH	1	CORAL BLUE
28	7000-060210-0R000	REAR LOWER SWING ARM, RH	1	RED
28	7000-060210-0V200	REAR LOWER SWING ARM, RH	1	PEARL WHITE
29	9060-050201	FENDER, SUSPENSION	2	
30	7000-060410	REAR LOWER SWING ARM, LH	1	ELECTROPHORESIS BLACK
30	7000-060410-0E800	REAR LOWER SWING ARM, LH	1	CORAL BLUE
30	7000-060410-0R000	REAR LOWER SWING ARM, LH	1	RED
30	7000-060410-0V200	REAR LOWER SWING ARM, LH	1	PEARL WHITE
31	7000-050504	SPACER RING 1	8	
32	7000-050501	O-RING	8	
33	7000-050502	CIRCLIP	8	
34	7000-050510	BEARING ASSY	4	
35	3121401	GREASE ZERK	10	
36	9060-060201-00001	SPACER, REAR LOWER SWING ARM	4	



F06-B-B REAR SUSPENSION(2018,OIL SHOCK ABSORBER)

Item No.	Parts Number	Parts Name(EN)	Qty	Specification
01	9010-060800-1000	BALL PIN, RH	1	SOMIC
01	9010-060800-20000	BALL PIN, RH	1	CCVI
02	7000-060610-10000	REAR SWAY BAR ASSY	1	
03	30204-080810	NUT M8	18	M8
04	30006-080016810	BOLT M8x16	4	M8x16
05	3121400	GREASE NOZZLE	2	90 DEGREE
06	9030-060002	COVER, SWAY BAR	2	
07	7000-060003	SUPPORTER, SWAY BAR	4	
08	9010-060700-20000	BALL PIN, LH	1	CCVI
08	9010-060700-1000	BALL PIN, LH	1	SOMIC
09	30006-060012810	BOLT M6x12	10	M6x12
10	5BWB-060003	GUARD, REAR BRAKE DISC	2	
11	30800-06300	CIRCLIP FOR HOLE 63	2	63
12	30499-03081	BEARING, HUB	2	DAC3063W
13	9060-050003	SHORT BUSHING, SWING ARM	16	
14	9060-060701-10001	UPPER MIDDLE SPACER, REAR BEARING CARRIER	2	
15	30001-102095110	BOLT M10x1.25x95	6	M10x1.25x95
16	9060-060702-10002	LOWER MIDDLE SPACER, REAR BEARING CARRIER	2	
16	9060-060702-10001	LOWER MIDDLE SPACER, REAR BEARING CARRIER	2	
17	5BWB-060703-00001	SUPPORT, REAR LH WHEEL SHAFT	1	
18	9060-060704	LOWER MOUNTING SHAFT, REAR BEARING CARRIER	2	
19	7000-060110-0E801	REAR UPPER SWINGARM, RH	1	CORAL BLUE
19	7000-060110-0R001	REAR UPPER SWINGARM, RH	1	RED
19	7000-060110-00001	REAR UPPER SWINGARM, RH	1	BLACK
19	7000-060110-0V201	REAR UPPER SWINGARM, RH	1	PEARL WHITE
20	9060-050002	LONG BUSHING, SWING ARM	4	
21	9060-060101-00001	SPACER, REAR UPPER SWING ARM	2	
22	4060-060101	MOUNTING SHAFT, REAR ARM	2	
23	7000-060310-00001	REAR UPPER SWING ARM,LH	1	BLACK
23	7000-060310-0R001	REAR UPPER SWINGARM, LH	1	RED
23	7000-060310-0E801	REAR UPPER SWINGARM, LH	1	CORAL BLUE
23	7000-060310-0V201	REAR UPPER SWINGARM, LH	1	PEARL WHITE
24	5BWB-060803-00001	HOLDER, REAR RH WHEEL SHAFT	1	
25	7000-060500-20000	REAR SHOCK ABSORBER ASSY	2	WHITE
26	30006-102055810	BOLT M10x1.25x55	4	M10x1.25x55
27	9060-060002	PLUG, REAR SUSPENSION	4	
28	7000-060210-0E800	REAR LOWER SWING ARM, RH	1	CORAL BLUE
28	7000-060210	REAR LOWER SWING ARM, RH	1	ELECTROPHORESIS BLACK
28	7000-060210-0R000	REAR LOWER SWING ARM, RH	1	RED
28	7000-060210-0V200	REAR LOWER SWING ARM, RH	1	PEARL WHITE
29	9060-050201	FENDER, SUSPENSION	2	
30	7000-060410-0R000	REAR LOWER SWING ARM, LH	1	RED
30	7000-060410-0E800	REAR LOWER SWING ARM, LH	1	CORAL BLUE
30	7000-060410	REAR LOWER SWING ARM, LH	1	ELECTROPHORESIS BLACK
30	7000-060410-0V200	REAR LOWER SWING ARM, LH	1	PEARL WHITE
31	7000-050505	LOWER BUSHING, SHOCK ABSORBER	4	
32	7020-051603-30000	CIRCLIP	8	
33	7020-051604-30000	ANTI-DUST SEAL	8	
34	7020-051610-30000	BEARING ASSY	4	
35	3121401	GREASE ZERK	10	
36	9060-060201-00001	SPACER, REAR LOWER SWING ARM	4	

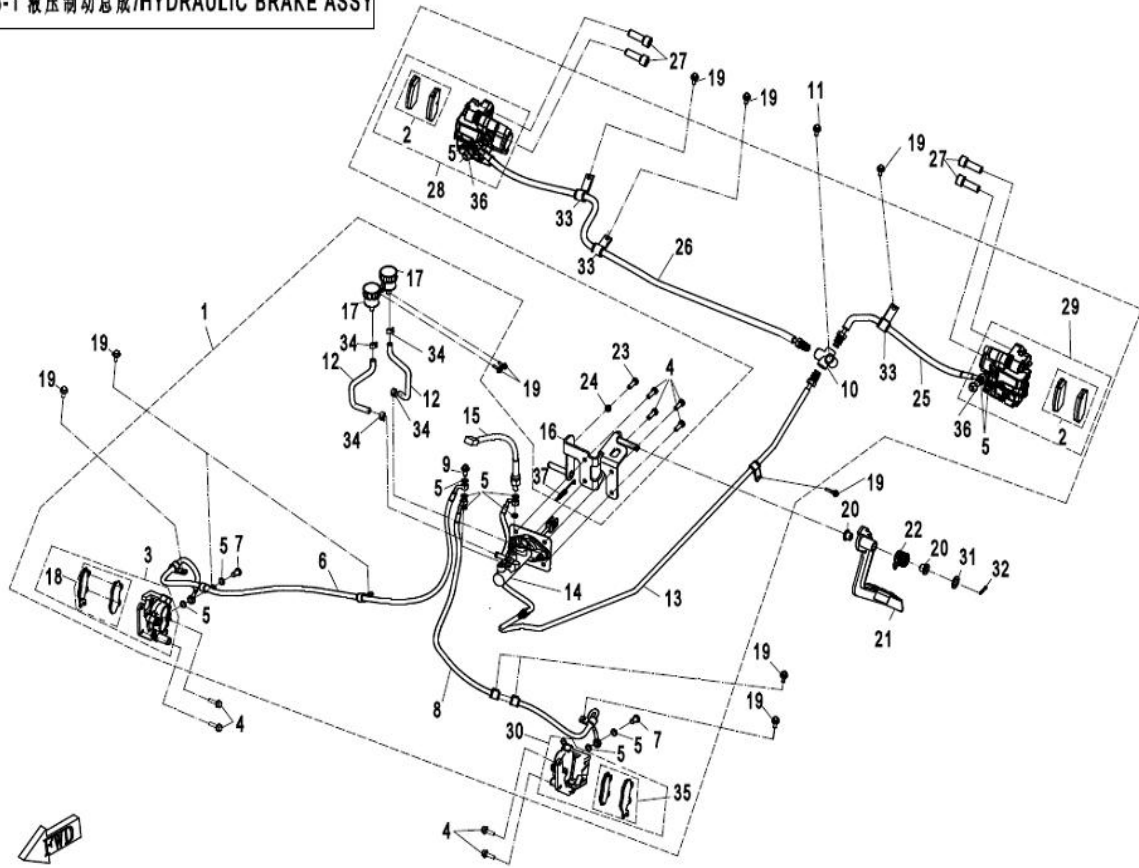
F07 前轮总成 FRONT WHEEL ASSY



F07 前轮总成 FRONT WHEEL ASSY

Item No.	Parts Number	Parts Name(EN)	Qty	Specification
01	30703-1222	FRONT TIRE	2	25x8-12, 77J, OFF-ROAD, USA
01	30703-1237	FRONT TIRE	2	26x9-12, 65K, CST, US
01	30703-1409	FRONT TIRE	2	26x9-14, 64K, CST, USA
01	30703-1220	FRONT TIRE, UTV	2	25x8-12, 77J
01	30703-1235	FRONT TIRE	2	26x9-12, 65K, CST, EURO, E-MARK
01	30703-1407	FRONT TIRE	2	26x9-14, 52J, CST, EURO, E-MARK
02	9050-040036-1000	DECO COVER, ALUMINUM RIM	2	
03	30903-0504010	COTTER PIN	2	5x40
04	30219-247810	NUT M24x2	2	M24x2
05	30306-240810	WASHER	2	24
06	9010-070002-A000	MOUNTING NUT, RIM	8	CHROME PLATED
07	5190-070030-1000	VALVE, INFLATION	2	
08	9010-070100-B000	FRONT RIM	2	12", STEEL RIM, BLACK PAINT
08	9SW0-070100-0B200	FRONT RIM	2	14", ALUM RIM,BAKE MATTE BLACK PAINTING
08	9SW0-070100	FRONT RIM	2	14", ALUM RIM, BLACK
08	9060-070100-30001	FRONT RIM	2	14", STEEL
08	9060-070100	FRONT RIM	2	14", ALUM RIM
08	9030-070100-D000	FRONT RIM	2	12", NEW ALUM RIM
09	9GQV-070001-1400	FRONT WHEEL BRACKET	2	
10	9010-070201	BOLT, FRONT WHEEL BRACKET	8	
11	9030-080001-1000	FRONT BRAKE DISC	2	WITHOUT HOLE, FOR RUSSIA ONLY
11	9030-080001	FRONT BRAKE DISC	2	WITH HOLE
12	A000-080001	SCREW	8	

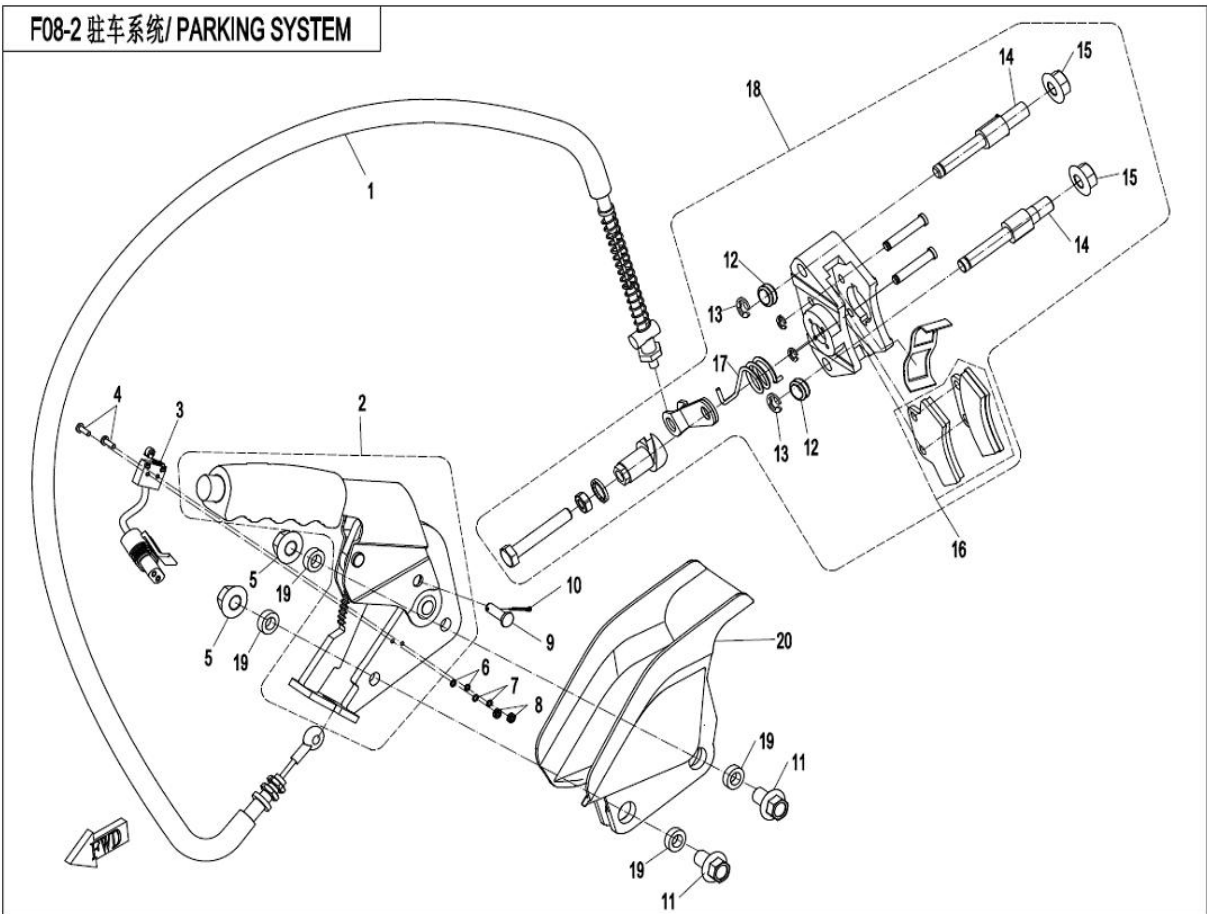
F08-1 液压制动总成/HYDRAULIC BRAKE ASSY



F08-1 液压制动总成(2017) HYDRAULIC BRAKE ASSY(2017)

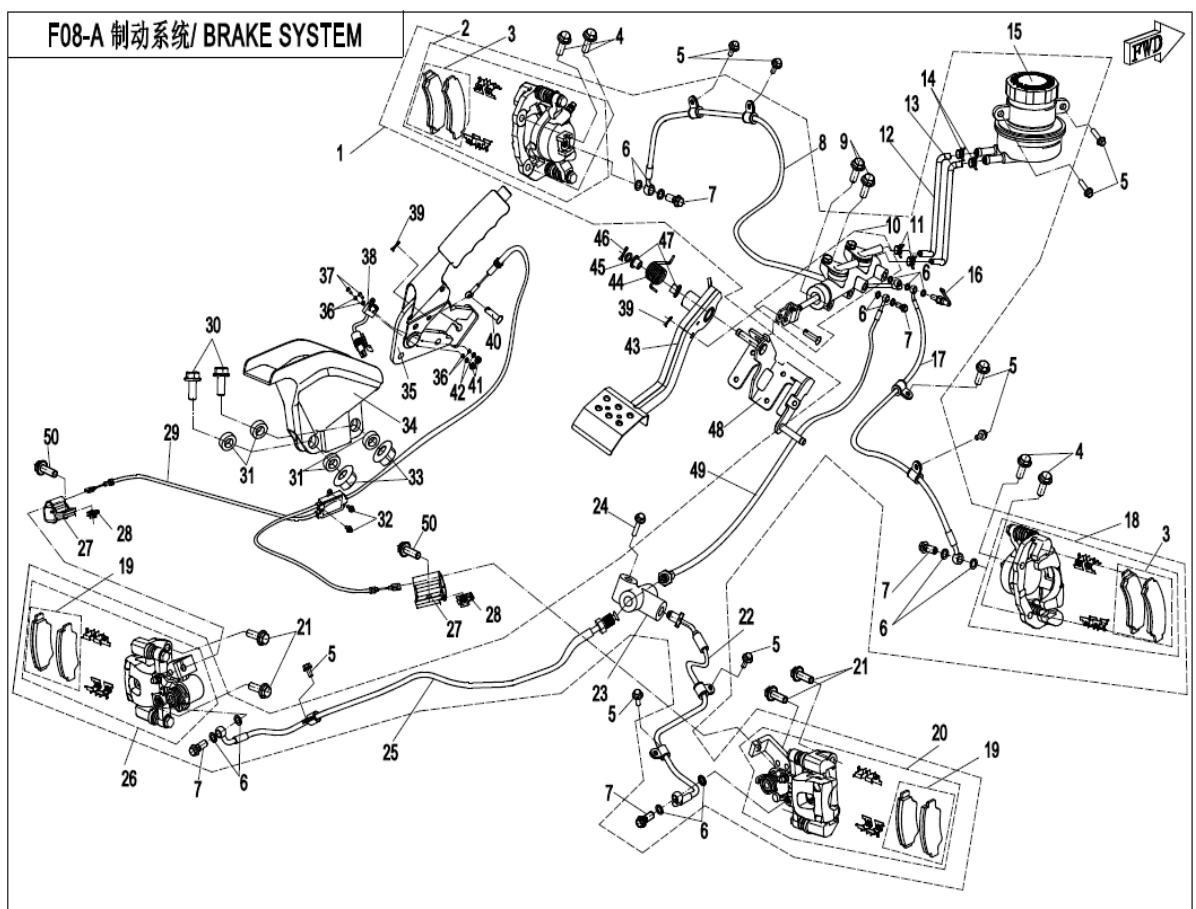
Item No.	Parts Number	Parts Name(EN)	Qty	Specification
01	7000-080100-20000	HYDRAULIC BRAKE ASSY	1	SUMITOMO PLUG+SINTERED PAD
01	7000-080100-10000	HYDRAULIC BRAKE ASSY	1	SUMITOMO PLUG
02	7000-0801A0	REAR BRAKE PAD	2	SINTERED PAD
03	7000-080800	RH CALIPER, FRONT BRAKE	1	SINTERED PAD
04	30006-080025810	BOLT	8	M8x25
05	5190-080104	SEAL GASKET	14	
06	7000-080110	RH LOWER FLUID HOSE, FRONT BRAKE	1	
07	7000-080103	CLAMP BOLT	2	
08	7000-080120	LOWER FLUID HOSE, FRONT BRAKE	1	
09	9010-080101-B000	BANJO BOLT	2	
10	7000-080102	T-JOINT	1	
11	30006-060030810	BOLT M6x30	1	M6x30
12	9060-080101	FLUID HOSE, BRAKE FLUID RESERVOIR	2	
13	7000-080130	FRONT FLUID HOSE, REAR BRAKE	1	
14	4060-080200	MASTER CYLINDER	1	
15	7020-080160-1000	SWITCH, REAR BRAKE	1	SUMITOMO PLUG
16	9060-081200-1000	FIXING BRACKET, BRAKE PEDAL	1	
17	9030-080110	FLUID RESERVOIR	2	
18	7000-0808A0	FRONT BRAKE PAD, RH	1	SINTERED PAD
19	30006-060016810	BOLT M6x16	12	M6x16
20	9060-105002	BUSHING	2	
21	9060-081300	BRAKE PEDAL ASSY	1	
22	9060-080003	RETURN SPRING	1	
23	30107-060040410	SCREW M6x40	1	M6x40
24	30200-060810	NUT M6	1	M6
25	7000-080140	LH FLUID HOSE (LOWER), REAR BRAKE	1	
26	7000-080160	RH FLUID HOSE (LOWER), REAR BRAKE	1	
27	30102-102035810	SCREW M10x1.25x35	4	M10x1.25x35
28	7000-080170-10000	REAR BRAKE CALIPER, RH	1	SINTERED PAD
29	7000-080150-10000	REAR BRAKE CALIPER, LH	1	SINTERED PAD
30	7000-080900	LH CALIPER, FRONT BRAKE	1	SINTERED PAD
31	30306-120112	WASHER	1	12
32	30903-0322210	COTTER PIN	1	3.2x22
33	9010-080104	CIRCLIP	11	
34	9010-080405	CLAMP	4	
35	7000-0809A0	FRONT BRAKE PAD, LH	1	SINTERED PAD
36	9030-080103	CLAMP BOLT	2	
37	9060-080004	SPRING, BRAKE SWITCH	1	

F08-2 驻车系统/ PARKING SYSTEM



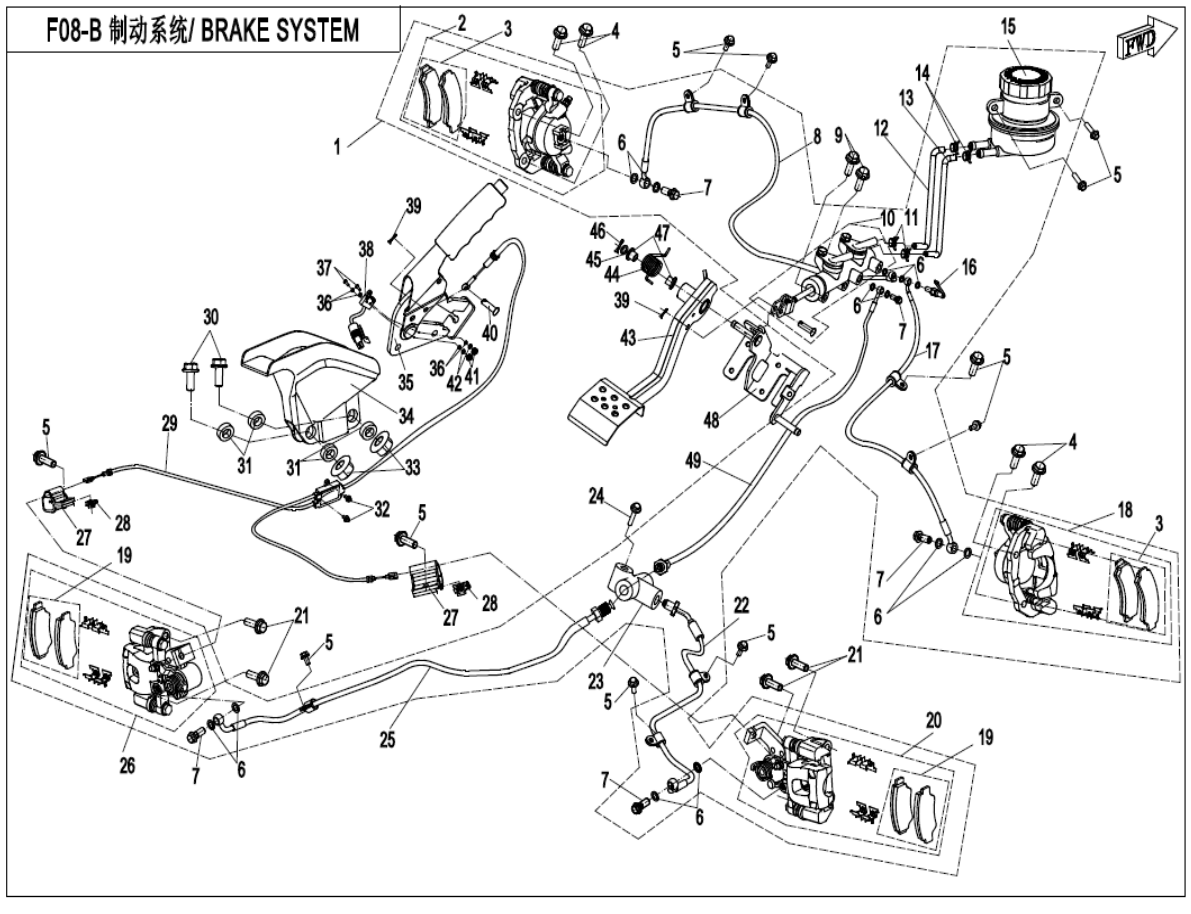
F08-2 驻车系统(2017) PARKING SYSTEM(2017)

Item No.	Parts Number	Parts Name(EN)	Qty	Specification
01	7000-106010-00001	PARKING CABLE	1	
02	7000-082200	HAND BRAKE	1	
03	7000-082210-10000	MICRO SWITCH	1	SUMITOMO PLUG
03	7000-082210	MICRO SWITCH	1	ODRINARY
04	30105-020016700	SCREW M2x16	2	M2x16
05	30204-080810	NUT M8	2	M8
06	30306-020800	WASHER	2	2
07	30303-020900	WASHER	2	2
08	30200-020810	NUT M2	2	M2
09	30904-0602011	PIN SHAFT	1	6x20 COLOR ZINC
10	30903-0162520	COTTER PIN	1	1.6x25
11	30006-080035810	BOLT M8x35	2	M8x35
12	30802-00605	CIRCLIP 6	2	6
13	7000-082108	RUBBER SLEEVE, UPPER SLIDING SHAFT	2	
14	7000-082107	MAIN SLIDING SHAFT	2	
15	30204-102810	NUT M10x1.25	2	M10x1.25
16	7000-0821A0	BRAKE PAD ASSY	1	
17	7000-082103	RETURN SPRING	1	
18	7000-082100	PARKING BRAKE	1	
19	7000-082003	BUSHING, HAND BRAKE	4	
20	7000-082002	SLEEVE, HAND BRAKE	1	



F08-A 制动系统(2018) BRAKE SYSTEM(2018)

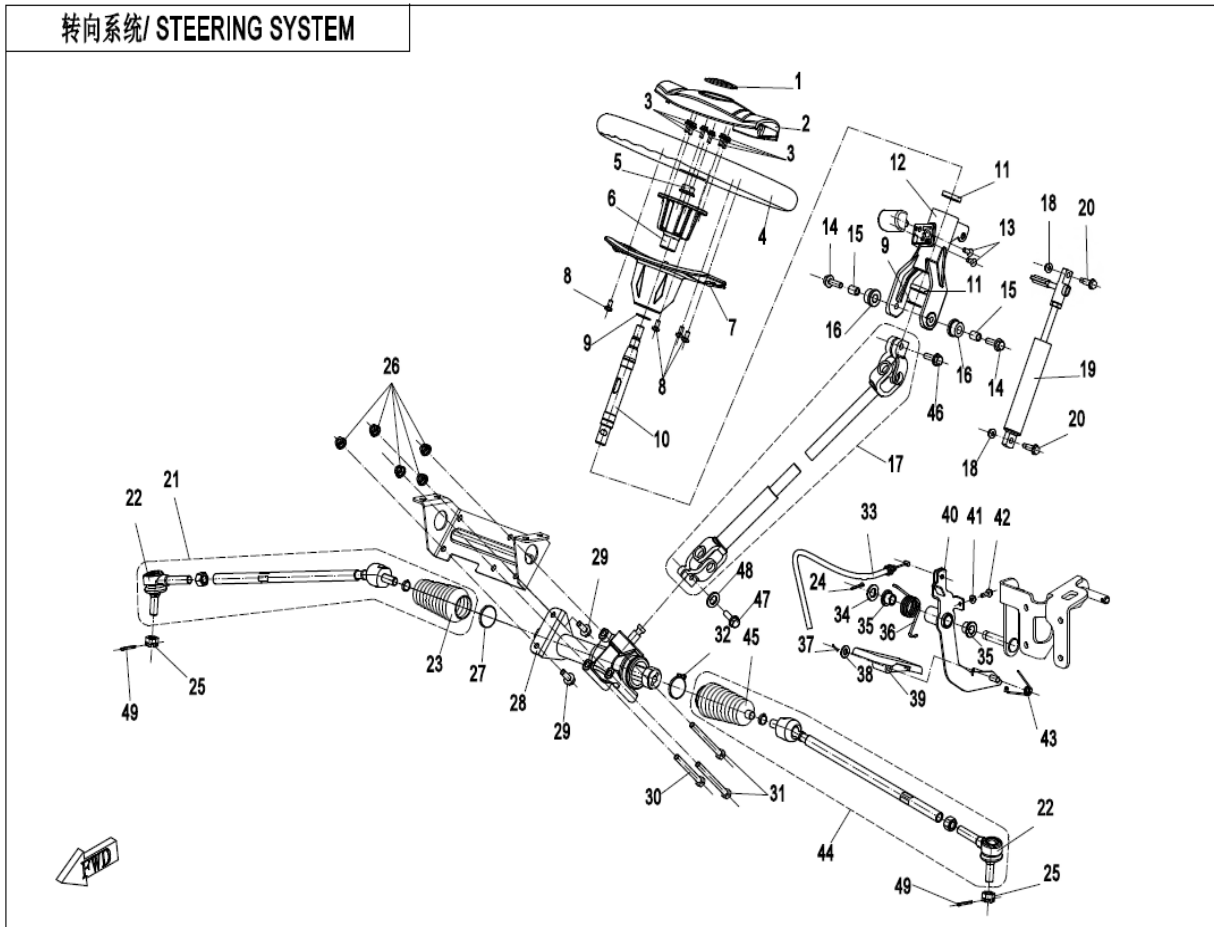
Item No.	Parts Number	Parts Name(EN)	Qty	Specification
01	5BW1-081000-00001	HYDRAULIC BRAKE	1	
01	5BW1-081000	HYDRAULIC BRAKE	1	
02	7020-081030-10000	FRONT BRAKE CALIPER	1	LEFT SIDE UFORCE, RIGHT SIDE ZFORCE
03	7020-0810B0	FRONT BRAKE PAD ASSY	2	
04	30006-102020810	BOLT M10x1.25x20	4	M10x1.25x20
05	30006-060016810	BOLT M6x16	9	M6x16
06	901B-080102	WASHER	13	80
07	7020-081004	BANJO BOLT	5	
08	5BWB-081010-00001	FLUID HOSE, LH FRONT BRAKE	1	
08	5BWB-081010	FLUID HOSE, LH FRONT BRAKE	1	
09	30006-080025810	BOLT	2	M8x25
10	5BWB-081100-00002	MASTER PUMP ASSY	1	
10	5BWB-081100-00001	MASTER CYLINDER	1	
11	7020-081002	PIPE CLIP, MASTER CYLINDER	2	
12	5BWB-081001-10000	FLUID RESERVOIR HOSE 1	1	
13	5BWB-081002-10000	FLUID RESERVOIR HOSE 2	1	
14	9010-080405	CLAMP	2	
15	5BW1-080150-10000	FLUID RESERVOIR	1	
16	7020-080010-20000	HYDRAULIC INDUCTION SWITCH	1	
16	7020-080010	HYDRAULIC INDUCTION SWITCH	1	ORDINARY
17	5BWB-081020-00001	FLUID HOSE, RH FRONT BRAKE	1	
17	5BWB-081020	FLUID HOSE, RH FRONT BRAKE	1	
18	7020-081040-10000	FRONT BRAKE CALIPER	1	RIGHT SIDE UFORCE, LEFT SIDE ZFORCE
19	7020-0810A0	REAR BRAKE PAD ASSY	2	
20	5BWB-081200-10000	REAR BRAKE CALIPER,LH	1	
21	30006-102045810	BOLT M10x1.25x45	4	M10x1.25x45
22	5BWB-081040	FLUID HOSE, RH REAR BRAKE	1	
23	7020-081001	T-JOINT, HYDRAULIC BRAKE	1	
24	30006-060030810	BOLT M6x30	1	M6x30
25	5BWB-081030	FLUID HOSE, LH REAR BRAKE	1	
26	5BWB-081300-10000	REAR BRAKE CALIPER, RH	1	
27	5UW2-080001	CABLE CLIP	2	
28	8010-000003	NUT M6	2	M6
29	5BWB-083100-10000	PARKING BRAKE CABLE	1	
30	30006-080035810	BOLT M8x35	2	M8x35
31	7000-082003	BUSHING, HAND BRAKE	4	
32	30006-050016810	BOLT M5x16	2	M5x16
33	30204-080810	NUT M8	2	M8
34	7000-082002	SLEEVE, HAND BRAKE	1	
35	7000-082200	HAND BRAKE	1	
36	30306-020800	WASHER	4	2
37	30105-020016700	SCREW M2x16	2	M2x16
38	7000-082210	MICRO SWITCH	1	ODRINARY
39	30903-0162520	COTTER PIN	2	1.6x25
40	30904-0602011	PIN SHAFT	1	6x20 COLOR ZINC
41	30200-020500	NUT M2	2	M2
42	30303-020900	WASHER	2	2
43	9060-081300	BRAKE PEDAL ASSY	1	
44	9060-080003	RETURN SPRING	1	
45	30306-120112	WASHER	1	12
46	30903-0322210	COTTER PIN	1	3.2x22
47	9060-105002	BUSHING	2	
48	9060-081200-1000	FIXING BRACKET, BRAKE PEDAL	1	
49	5BWB-081060	REAR BRAKE FLUID HOSE	1	
50	30006-060020810	BOLT M6x20	2	M6x20



F08-B 制动系统(住友)(2018) BRAKE SYSTEM(SUMITOMO)(2018)

Item No.	Parts Number	Parts Name(EN)	Qty	Specification
01	5BW1-081000-10000	HYDRAULIC BRAKE	1	
01	5BW1-081000-10001	HYDRAULIC BRAKE	1	
02	7020-081030-10000	FRONT BRAKE CALIPER	1	LEFT SIDE UFORCE, RIGHT SIDE ZFORCE
03	7020-0810B0	FRONT BRAKE PAD ASSY	2	
04	30006-102020810	BOLT M10x1.25x20	4	M10x1.25x20
05	30006-060016810	BOLT M6x16	11	M6x16
06	901B-080102	WASHER	13	80
07	7020-081004	BANJO BOLT	5	
08	5BWB-081010	FLUID HOSE, LH FRONT BRAKE	1	
08	5BWB-081010-00001	FLUID HOSE, LH FRONT BRAKE	1	
09	30006-080025810	BOLT	2	M8x25
10	5BWB-081100-00001	MASTER CYLINDER	1	
10	5BWB-081100-00002	MASTER PUMP ASSY	1	
11	7020-081002	PIPE CLIP, MASTER CYLINDER	2	
12	5BWB-081001-10000	FLUID RESERVOIR HOSE 1	1	
13	5BWB-081002-10000	FLUID RESERVOIR HOSE 2	1	
14	9010-080405	CLAMP	2	
15	5BW1-080150-10000	FLUID RESERVOIR	1	
16	7020-080010-10000	HYDRAULIC INDUCTION SWITCH	1	SUMITOMO PLUG, IMPORTED
16	7020-080010-30000	HYDRAULIC INDUCTION SWITCH	1	
17	5BWB-081020	FLUID HOSE, RH FRONT BRAKE	1	
17	5BWB-081020-00001	FLUID HOSE, RH FRONT BRAKE	1	
18	7020-081040-10000	FRONT BRAKE CALIPER	1	RIGHT SIDE UFORCE, LEFT SIDE ZFORCE
19	7020-0810A0	REAR BRAKE PAD ASSY	2	
20	5BWB-081200-10000	REAR BRAKE CALIPER,LH	1	
21	30006-102045810	BOLT M10x1.25x45	4	M10x1.25x45
22	5BWB-081040	FLUID HOSE, RH REAR BRAKE	1	
23	7020-081001	T-JOINT, HYDRAULIC BRAKE	1	
24	30006-060030810	BOLT M6x30	1	M6x30
25	5BWB-081030	FLUID HOSE, LH REAR BRAKE	1	
26	5BWB-081300-10000	REAR BRAKE CALIPER, RH	1	
27	5UW2-080001	CABLE CLIP	2	
28	8010-000003	NUT M6	2	M6
29	5BWB-083100-10000	PARKING BRAKE CABLE	1	
30	30006-080035810	BOLT M8x35	2	M8x35
31	7000-082003	BUSHING, HAND BRAKE	4	
32	30006-050016810	BOLT M5x16	2	M5x16
33	30204-080810	NUT M8	2	M8
34	7000-082002	SLEEVE, HAND BRAKE	1	
35	7000-082200	HAND BRAKE	1	
36	30306-020800	WASHER	4	2
37	30105-020016700	SCREW M2x16	2	M2x16
38	7000-082210-10000	MICRO SWITCH	1	SUMITOMO PLUG
39	30903-0162520	COTTER PIN	2	1.6x25
40	30904-0602011	PIN SHAFT	1	6x20 COLOR ZINC
41	30200-020500	NUT M2	2	M2
42	30303-020900	WASHER	2	2
43	9060-081300	BRAKE PEDAL ASSY	1	
44	9060-080003	RETURN SPRING	1	
45	30306-120112	WASHER	1	12
46	30903-0322210	COTTER PIN	1	3.2x22
47	9060-105002	BUSHING	2	
48	9060-081200-1000	FIXING BRACKET, BRAKE PEDAL	1	
49	5BWB-081060	REAR BRAKE FLUID HOSE	1	

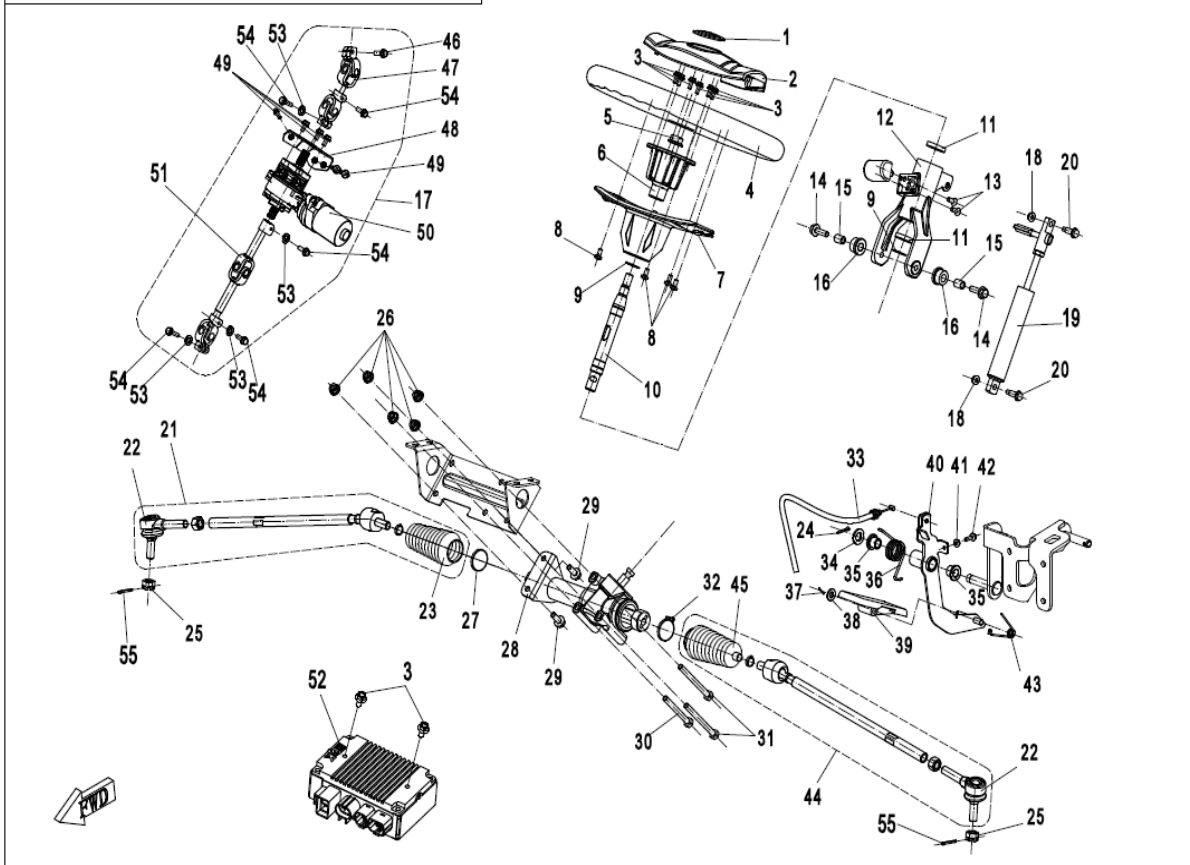
转向系统/ STEERING SYSTEM



F10-A-V3 转向系统 STEERING SYSTEM

Item No.	Parts Number	Parts Name(EN)	Qty	Specification
1	9060-190001	CFMOTO LOGO 58x49	1	58x49
2	7030-102002	UPPER DECO COVER, STEERING WHEEL	1	
03	30006-060012810	BOLT M6x12	6	M6x12
04	7030-102100	STEERING WHEEL	1	
05	30204-122810	NUT M12x1.25	1	M12x1.25
06	7030-100002	FIXED SEAT, STEERING WHEEL	1	
07	7000-102003	LOWER DECO COVER, STEERING WHEEL	1	
08	30112-060012410	SCREW ASSY M6x12	4	M6x12
09	30801-02005	CIRCLIPS FOR SHAFT 20	2	20
10	7000-100001	STEERING COLUMN	1	
11	30400-02005	BEARING	2	6804Z
12	9060-101008-00001	MOUNING BRACKET, STEERING WHEEL	1	
13	30107-060012410	SCREW M6x12	2	M6x12
14	30006-080028810	BOLT M8x28	2	M8x28
15	9060-100008-00001	METAL BUSHING, STEERING COLUMN	2	
16	9060-100009	NYLON BUSHING, STEERING COLUMN	2	
17	9060-104010-1000	UNIVERSAL SHAFT, STEERING	1	
18	30204-060810	NUT M6	2	M6
19	9060-102000-00001	GAS SPRING	1	
19	5HYV-100001-1C00	GAS SPRING ASSY	1	
20	9060-102002-00001	UPPER FIXED BOLT, GAS SPRING	2	
21	7000-104200-30000	RH STEERING ROD ASSY	1	
22	9030-101170	STEERING KNUCKLE ASSY	2	SOMIC
23	9060-104001	RH SLEEVE, TIE-ROD	1	SOMIC
24	30903-0322210	COTTER PIN	1	3.2x22
25	9010-100002	1-TYPE NUT	2	M10x1.25
26	30204-080810	NUT M8	5	M8
27	8010-150003	TIE BAND	1	5x250
28	9060-104060	STEERING MOTOR	1	
29	30006-080020810	BOLT M8x20	2	M8x20
30	30006-080075810	BOLT M8x75	1	M8x75
31	30006-080090810	BOLT M8x90	2	M8x90
32	9010-020007	A-TYPE SCREW CLAMP	1	50-70
33	5BR0-105020-10000	THROTTLE CABLE	1	
33	5BRV-105020-1400	THROTTLE CABLE	1	
34	30306-120112	WASHER	1	12
35	9060-105002	BUSHING	2	
36	9060-105001	TORSION SPRING, THROTTLE	1	
37	30903-0202010	COTTER PIN	1	2x20
38	30306-080112	WASHER	1	8
39	9060-105004	THROTTLE PEDAL	1	
40	9060-105010-2B000	THROTTLE PEDAL ASSY	1	BLACK
41	30202-050110	NUT M5	1	M5
42	30006-050020810	BOLT M5x20	1	M5x20
43	9060-105003	TORSION SPRING, FOOT PEDAL	1	
44	7000-104100-30000	LH STEERING ROD ASSY	1	
45	9060-104002	LH SLEEVE, TIE-ROD	1	SOMIC
46	30006-080025810	BOLT	1	M8x25
47	30004-080030810	BOLT	1	M8x30
48	30303-080112	WASHER	1	8
49	30903-0252010	COTTER PIN	2	2.5x20

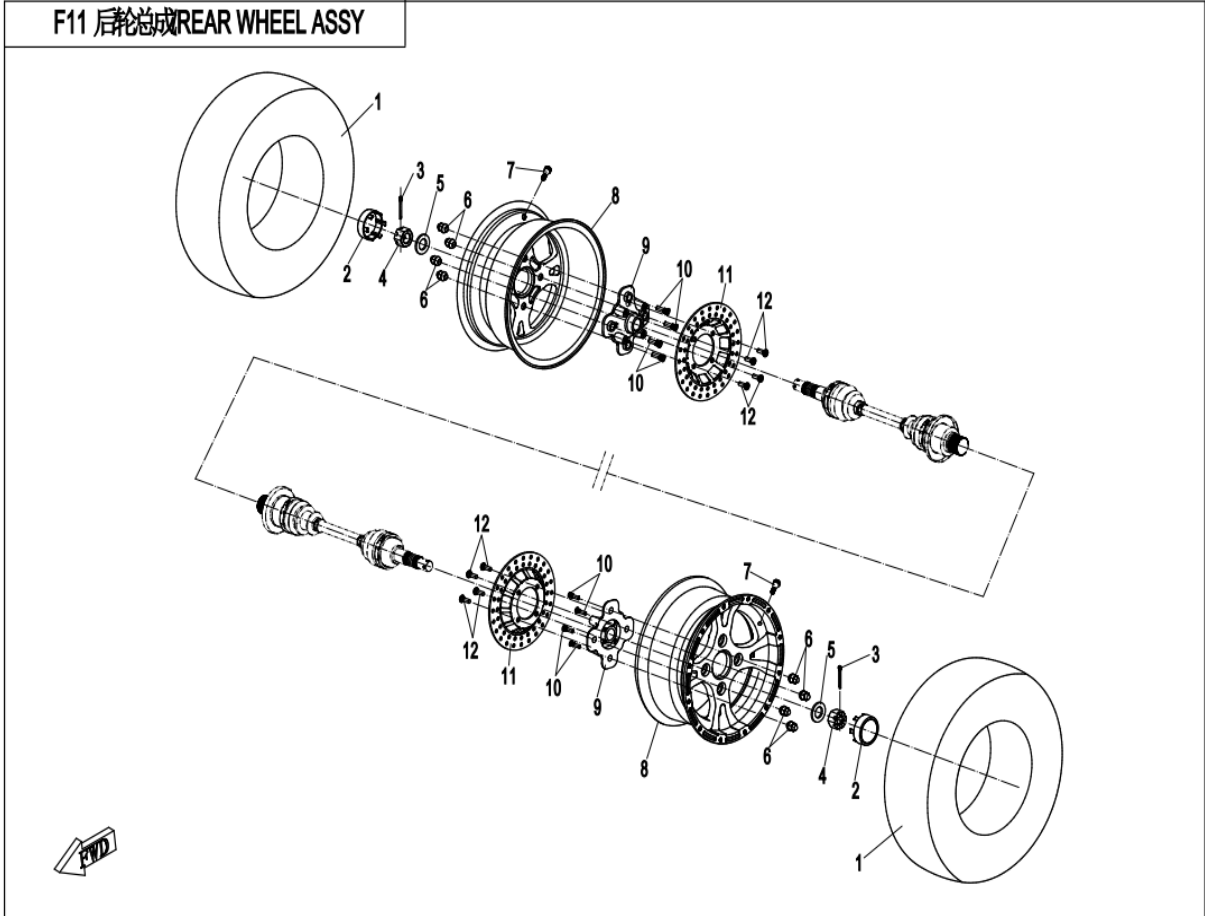
转向系统(EPS)/ STEERING SYSTEM(EPS)



F10-B-V3 转向系统(EPS) STEERING SYSTEM(EPS)

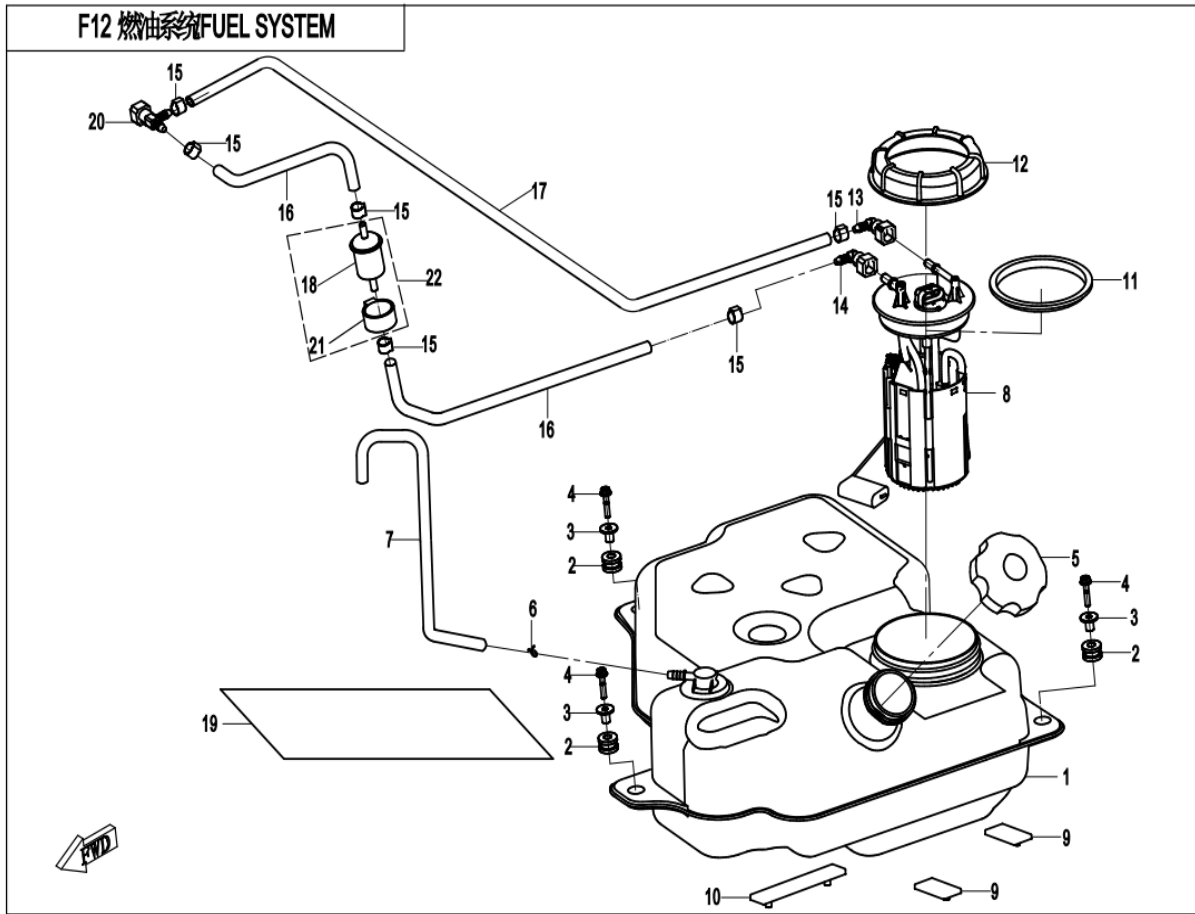
Item No.	Parts Number	Parts Name(EN)	Qty	Specification
01	9060-190001	CFMOTO LOGO 58x49	1	58x49
02	7030-102002	UPPER DECO COVER, STEERING WHEEL	1	
03	30006-060012810	BOLT M6x12	8	M6x12
04	7030-102100	STEERING WHEEL	1	
05	30204-122810	NUT M12x1.25	1	M12x1.25
06	7030-100002	FIXED SEAT, STEERING WHEEL	1	
07	7000-102003	LOWER DECO COVER, STEERING WHEEL	1	
08	30112-060012410	SCREW ASSY M6x12	4	M6x12
09	30801-02005	CIRCLIPS FOR SHAFT 20	2	20
10	7000-100001	STEERING COLUMN	1	
11	30400-02005	BEARING	2	6804Z
12	9060-101008-00001	MOUNING BRACKET, STEERING WHEEL	1	
13	30107-060012410	SCREW M6x12	2	M6x12
14	30006-080028810	BOLT M8x28	2	M8x28
15	9060-100008-00001	METAL BUSHING, STEERING COLUMN	2	
16	9060-100009	NYLON BUSHING, STEERING COLUMN	2	
17	7000-103000	EPS KITS	1	
18	30204-060810	NUT M6	2	M6
19	9060-102000-00001	GAS SPRING	1	
19	5HYV-100001-1C00	GAS SPRING ASSY	1	
20	9060-102002-00001	UPPER FIXED BOLT, GAS SPRING	2	
21	7000-104200-30000	RH STEERING ROD ASSY	1	
22	9030-101170	STEERING KNUCKLE ASSY	2	SOMIC
23	9060-104001	RH SLEEVE, TIE-ROD	1	SOMIC
24	30903-0322210	COTTER PIN	1	3.2x22
25	9010-100002	1-TYPE NUT	2	M10x1.25
26	30204-080810	NUT M8	5	M8
27	8010-150003	TIE BAND	1	5x250
28	9060-104060	STEERING MOTOR	1	
29	30006-080020810	BOLT M8x20	2	M8x20
30	30006-080075810	BOLT M8x75	1	M8x75
31	30006-080090810	BOLT M8x90	2	M8x90
32	9010-020007	A-TYPE SCREW CLAMP	1	50-70
33	5BR0-105020-10000	THROTTLE CABLE	1	
33	5BRV-105020-1400	THROTTLE CABLE	1	
34	30306-120112	WASHER	1	12
35	9060-105002	BUSHING	2	
36	9060-105001	TORSION SPRING, THROTTLE	1	
37	30903-0202010	COTTER PIN	1	2x20
38	30306-080112	WASHER	1	8
39	9060-105004	THROTTLE PEDAL	1	
40	9060-105010-2B000	THROTTLE PEDAL ASSY	1	BLACK
41	30202-050110	NUT M5	1	M5
42	30006-050020810	BOLT M5x20	1	M5x20
43	9060-105003	TORSION SPRING, FOOT PEDAL	1	
44	7000-104100-30000	LH STEERING ROD ASSY	1	
45	9060-104002	LH SLEEVE, TIE-ROD	1	SOMIC
46	30006-080025810	BOLT	1	M8x25
47	7000-103100	UNIVERSAL JOINT, UPPER	1	
48	7000-103350	BRACKET, EPS	1	
49	30006-080016810	BOLT M8x16	6	M8x16
50	7030-106200-00001	EPS ASSY	1	
51	7000-103200	UNIVERSAL SHAFT, LOWER	1	
52	5URO-150800	EPS CONTROLLER	1	
53	30303-080112	WASHER	4	8
54	30004-080030810	BOLT	5	M8x30
55	30903-0252010	COTTER PIN	2	2.5x20

F11 后轮总成 REAR WHEEL ASSY



F11 后轮总成 REAR WHEEL ASSY

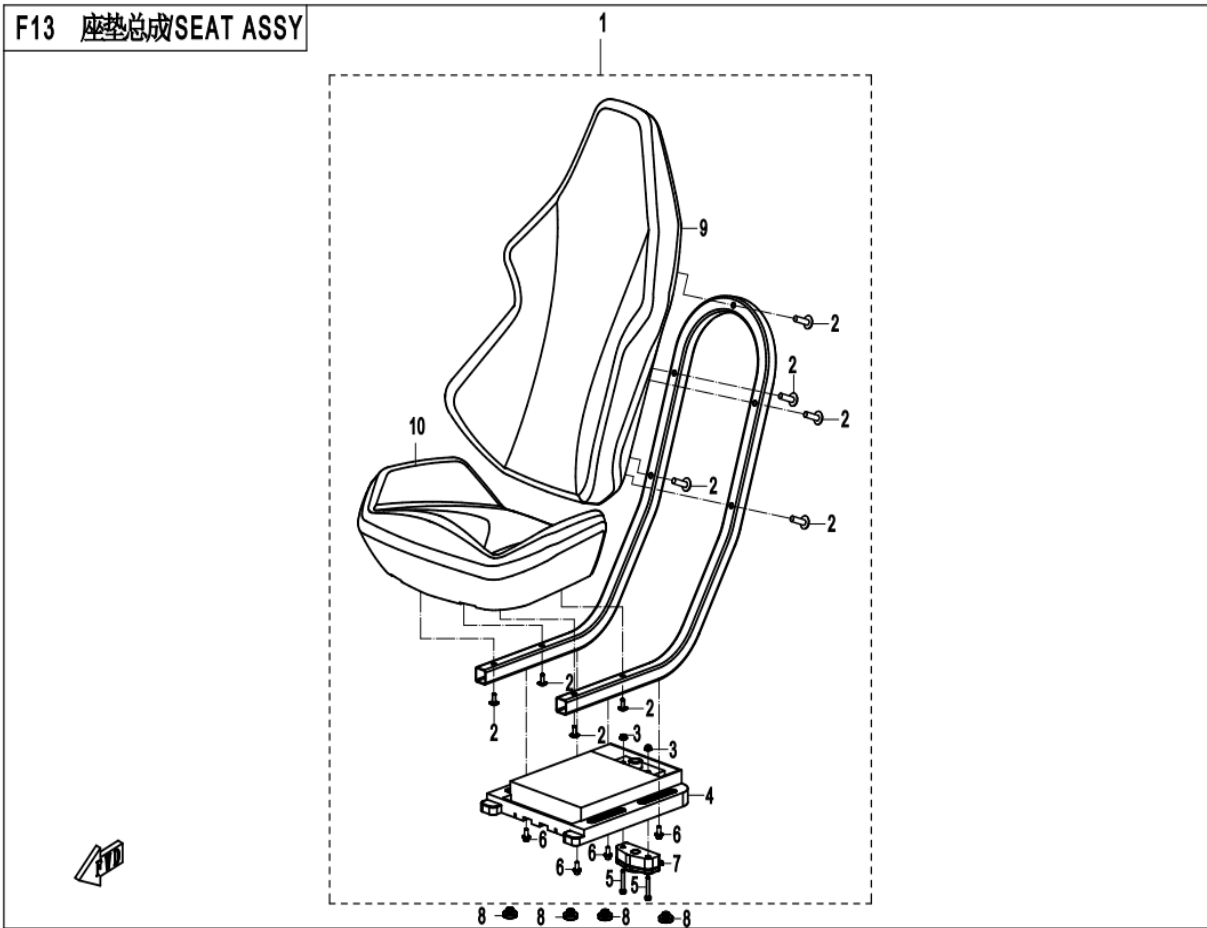
Item No.	Parts Number	Parts Name(EN)	Qty	Specification
01	30703-1221	REAR TIRE	2	25x10-12, 85J
01	30703-1410	REAR TIRE	2	26x11-14, 71K, CST, USA
01	30703-1238	REAR TIRE	2	26x11-12, 72K, CST, USA
01	30703-1408	REAR TIRE	2	26x11-14, 66J, CST, EURO, E-MARK
01	30703-1236	REAR TIRE	2	26x11-12, 72K, CST, EURO, E-MARK
01	30703-1223	REAR TIRE	2	25x10-12 85J, OFF-ROAD, USA
02	9050-040036-1000	DECO COVER, ALUMINUM RIM	2	
03	30903-0504010	COTTER PIN	2	5x40
04	30219-247810	NUT M24x2	2	M24x2
05	30306-240810	WASHER	2	24
06	9010-070002-A000	MOUNTING NUT, RIM	8	CHROME PLATED
07	5190-070030-1000	VALVE, INFLATION	2	
08	9SW0-110100-0B200	REAR RIM	2	14", ALUM. RIM, BAKE MATTE BLACK
08	9SW0-110100	REAR RIM	2	14", ALUM. RIM, BLACK
08	9060-110100	REAR RIM	2	14", ALUM. RIM
08	9030-110100-D000	REAR RIM	2	12 IN, NEW ALUM. RIM
09	9060-110001-10000	BRACKET, REAR WHEEL	2	
10	9010-070201	BOLT, FRONT WHEEL BRACKET	8	
11	5BWA-080001	REAR BRAKE DISC	2	NA@TRAIL VERSION
11	9060-080002-1000	REAR BRAKE DISC	2	WITHOUT HOLE
11	9060-080002	REAR BRAKE DISC	2	WITH HOLE
12	A000-080001	SCREW	8	



F12 燃油系统 FUEL SYSTEM

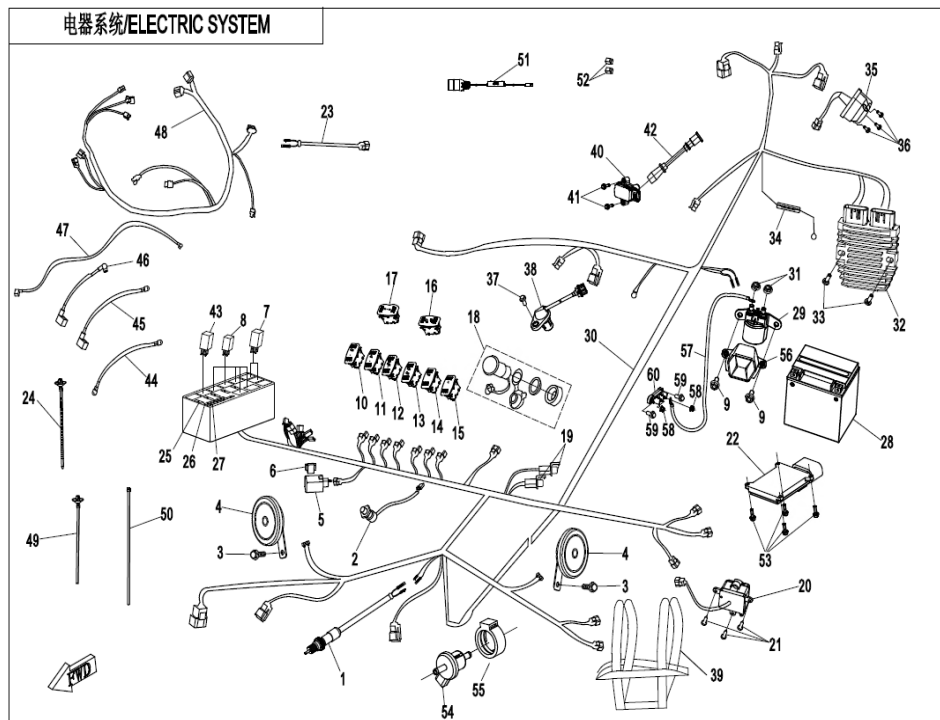
Item No.	Parts Number	Parts Name(EN)	Qty	Specification
01	7000-121000	FUEL TANK ASSY	1	
02	7020-120103	DAMPER, FUEL TANK	3	
03	7020-120160	CUSHION LINER, FUEL TANK	3	
04	30006-060030810	BOLT M6x30	3	M6x30
05	7030-120060	CAP, FUEL TANK	1	
06	30601-112010	CLAMP A12	1	A12
07	8080-120005	FUEL VAPOR HOSE V	1	
08	5BR0-150900	FUEL PUMP	1	
09	9060-120002	CUSHION STRIP, FUEL TANK	2	
10	9060-120001	LH STRIP, FUEL TANK	1	
11	7000-120102	SEAL RING, FUEL PUMP	1	
12	7000-120101	CAP, FUEL PUMP	1	
13	6090-120210	QUICK JOINT	1	
14	7000-120310	QUICK JOINT	1	
15	7020-120006	CLAMP Dia 16.6	6	
16	7000-120210-1000	HIGH-PRESSURE FUEL HOSE ASSY 1	2	
17	7000-120220-1000	HIGH-PRESSURE FUEL HOSE ASSY 2	1	
18	805A-120004	FUEL FILTER, EFI	1	
19	7020-120151	HEAT INSULATION PAPER, FUEL TANK	1	
20	7020-120400-1000	T-JOINT, QUICK	1	
21	6090-120221	RUBBER SLEEVE, FUEL FILTER, EFI	1	
22	6090-120220	FUEL FILTER ASSY, EFI	1	

F13 座垫总成 SEAT ASSY



F13 座垫总成 SEAT ASSY

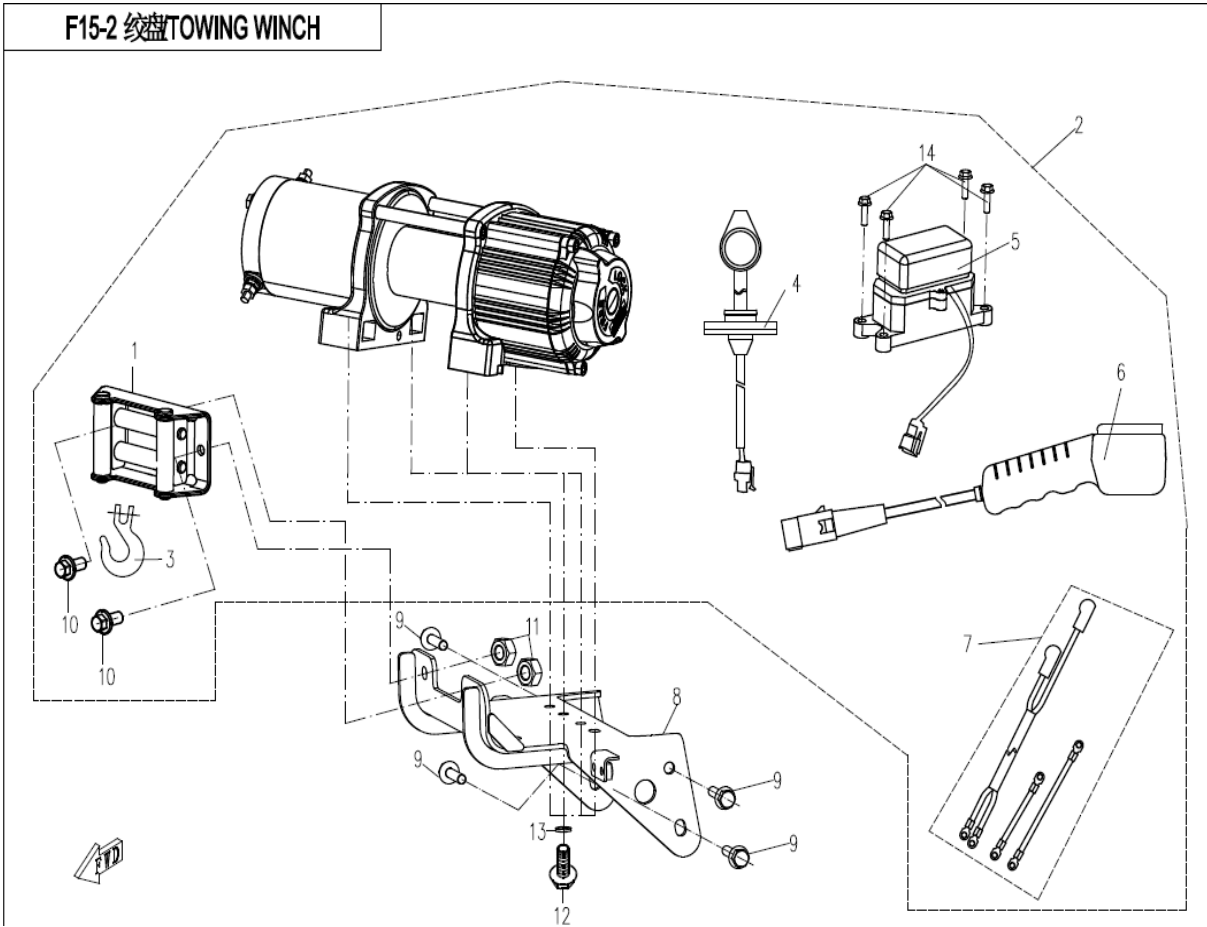
Item No.	Parts Number	Parts Name(EN)	Qty	Specification
01	7000-130100	SEAT	2	BLACK
01	7000-130100-20000	SEAT	1	BLACK@^WHTIE
01	7000-130100-10000	SEAT	2	BLACK@^RED
02	30105-060016410	SCREW M6x16	9	M6x16
03	30204-060810	NUT M6	2	M6
04	7000-131400	BASE ASSY	1	
05	30019-060038840	BOLT M6x38	2	M6x38
06	30006-060016810	BOLT M6x16	4	M6x16
07	9060-131030	LOCK, SEAT	1	
08	9060-131007-1000	RUBBER MAT, SEAT	8	
09	7000-131100-20000	BACKREST ASSY	2	BLACK @ ^ WHTIE
09	7000-131100-10000	BACKREST ASSY	2	BLACK @ ^ RED
09	7000-131100	BACKREST ASSY	2	
10	7000-131200-20000	SEAT ASSY	2	BLACK @ ^ WHTIE
10	7000-131200-10000	SEAT ASSY	2	BLACK @ ^ RED
10	7000-131200	SEAT ASSY	2	



F15-1-V3 电器系统 ELECTRIC SYSTEM

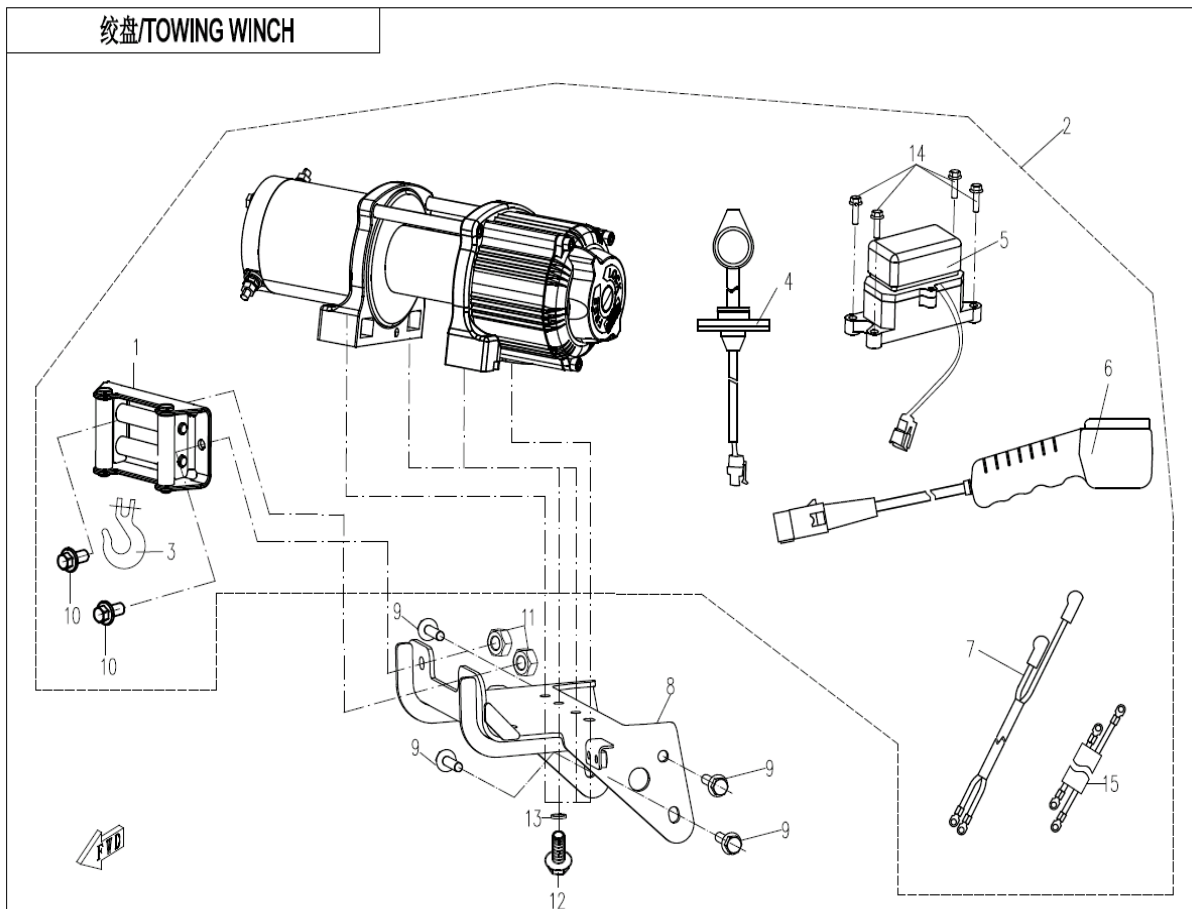
Item No.	Parts Number	Parts Name (EN)	Qty	Specification
01	9010-150500	SWITCH, REAR BRAKE	1	
02	7030-170300	BUTTON, CLOCK	2	WITHOUT WIRE
03	30006-080014810	BOLT M8x14	2	M8x14
04	6060-150600	ELECTRIC HORN	2	
05	4020-150340	FLASHER	1	
06	8010-150002	CUSHION WASHER, FLASHER	1	
07	9010-150350	AUXILIARY RELAY	2	
08	5BY4-150330	AUXILIARY RELAY	5	
09	30006-060012810	BOLT M6x12	2	M6x12
10	5BR0-151700	SWITCH, HIGH-BEAM LIGHT	1	ORDINARY
11	5BR0-151600	HAZARD SWITCH	1	
12	5BR0-151100	ILLUMINATION SWITCH	1	
12	7000-151100-10000	ILLUMINATION SWITCH	1	SUMITOMO PLUG
13	5BR0-151200	DIMMER SWITCH	1	
14	7000-151300-10000	HORN SWITCH	1	SUMITOMO PLUG
14	5BR0-151300	HORN SWITCH	1	
15	5BR0-151400	OVERRIDING SWITCH	1	
15	5BR0-151400-10000	OVERRIDING SWITCH	1	SUMITOMO PLUG
16	5BR0-151000	STOP SWITCH, ENGINE	1	
17	5BR0-151500	TURNING SWITCH	1	
18	7020-150500-1000	OUTPUT SEAT, POWER	1	SUMITOMO PLUG
18	7020-150500	OUTPUT SEAT, POWER	1	ORDINARY
19	6090-150500	DIODE, STARTER	2	
20	7030-160700	2WD/4WD SWITCH ASSY	1	ORDINARY
20	7030-160700-10000	2WD/4WD SWITCH ASSY	1	SUMITOMO PLUG
21	30110-480160010	SELF-TAPPING SCREW ST4.8x16	3	ST4.8x16
22	0GRB-174000-10000	ECU	1	BOSCH MSE3.0
23	5BR0-152200	ADAPTOR CABLE, BARK SWITCH	1	
24	7030-150005	TIE BAND	10	
25	8080-151301	FUSE 5A	2	5A
26	806A-151302	FUSE 10A	5	10A
27	806A-151305	FUSE 15A	5	15A
28	31023004	BATTERY	1	DYNAVOLT,12V30Ah
29	5270-150500	STARTER RELAY	1	
30	5BR0-150100-40000	MAIN CABLE	1	INTEGRATED RELAY BOX@ORDINARY
30	5BR0-150100-50000	MAIN CABLE	1	INTEGRATED RELAY BOX@SUMITOMO PLUG
31	30200-060810	NUT M6	2	M6
32	0800-177000-10000	REGULATOR	1	HIGH POWER, CHINESE
32	0800-177000	REGULATOR	1	HIGH POWER, JAPANESE
33	30006-060030810	BOLT M6x30	2	M6x30
34	7020-150110	ADAPTOR CABLE, FUSE 30A	1	
35	7020-150800-1000	POWER SOCKET, TRAILER	1	SUMITOMO PLUG
35	7020-150800	POWER SOCKET, TRAILER	1	ORDINARY
36	30105-050030410	SCREW M5x30	3	M5x30
37	30006-060020810	BOLT M6x20	1	M6x20
38	7020-150400	SPEED SENSOR	1	
39	9060-152100	BELT, BATTERY	1	
40	018B-178000	IGNITION COIL	1	
41	30006-060025810	BOLT M6x25	2	M6x25
42	0GRB-178000	HIGH-TENSION CABLE	1	
43	5BW1-150120	AUXILIARY RELAY	1	
44	5BR0-150620	NEGATIVE CABLE, STARTER MOTOR	1	
45	700V-150420-1500	NEGATIVE CABLE, BATTERY	1	
46	700V-150410-1500	POSITIVE CABLE, BATTERY	1	
47	7000-150520	POSITIVE CABLE, STARTER MOTOR	1	
48	5BR0-150200	AUXILIARY CABLE, EFI	1	
48	5BR0-150200-10000	AUXILIARY CABLE, EFI	1	SUMITOMO PLUG
49	801F-100101	TIE BAND	14	
50	9010-150004	TIE BAND	10	
51	9010-151020	ADAPTOR SEAT, TRAILER POWER	1	
52	905B-150103	PLUG, PDA	2	
53	30105-050016410	SCREW M5x16	4	M5x16
54	018B-172000	AIR CONTROL VALVE, IDLE	1	
55	901F-000005	RUBBER SLEEVE, IDLE VALVE	1	
56	7000-044711	RELAY COVER	1	
57	7000-150530	CABLE, STARTER RELAY	1	
58	30204-060810	NUT M6	2	M6
59	30006-060016810	BOLT M6x16	2	M6x16
60	5SY0-151610-6000	TERMINAL, CABLE	1	WITH KALDI PLUG

F15-2 绞盘 TOWING WINCH



F15-2-V1 绞盘总成 TOWING WINCH

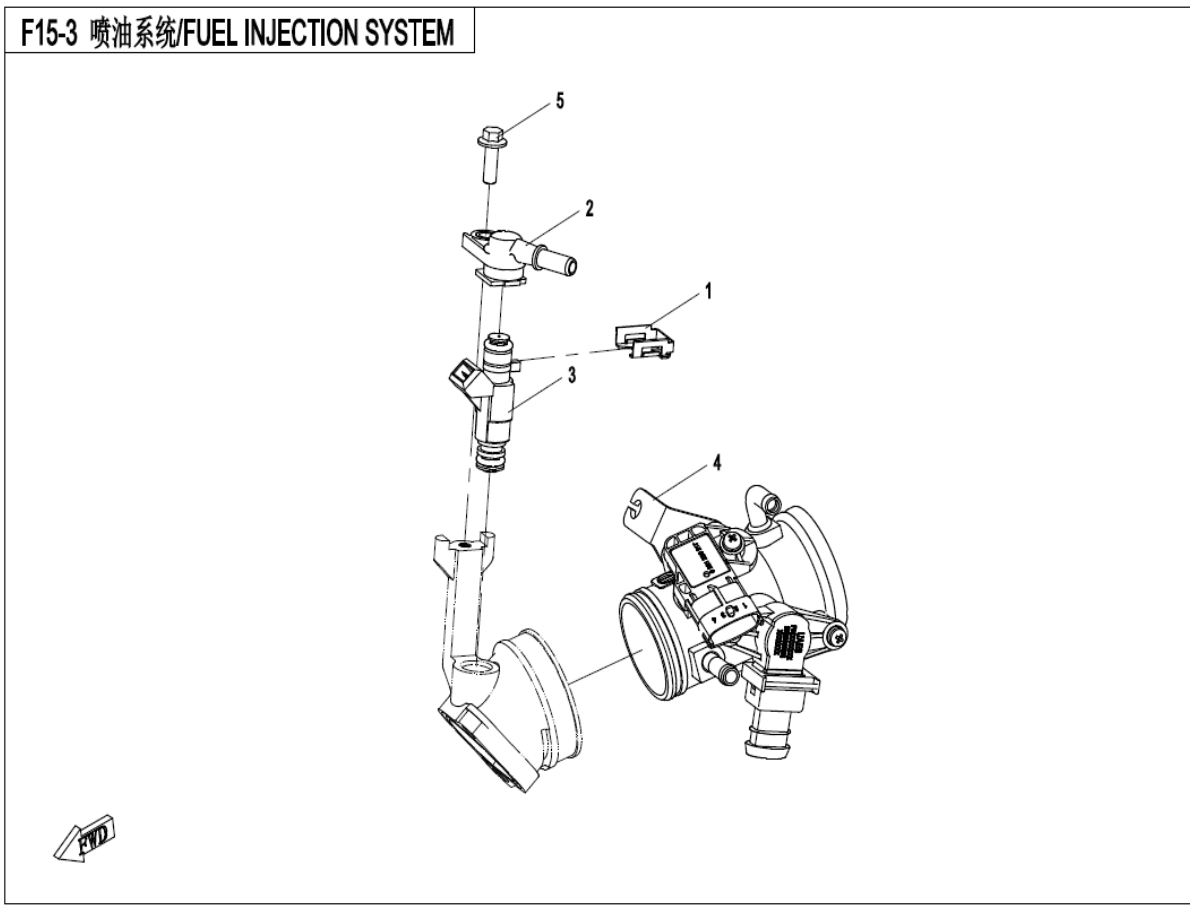
Item No.	Parts Number	Parts Name(EN)	Qty	Specification
01	9030-150730	CABLE PULLEY	1	
02	7000-150700-0B000	WINCH ASSY.	1	3000Lbs
02	7000-150700-1B000	WINCH ASSY.	1	3000Lbs
03	7030-150741	HOOK, CABLE	1	
04	7000-150710	CONTROL SWITCH SEAT, WINCH	1	SUMITOMO PLUG
04	9030-150710	CONTROL SWITCH SEAT, WINCH	1	
05	9010-150720-4000	CONTROL RELAY	1	LIANDA
05	7000-150720	CONTROL RELAY, WINCH	1	SUMITOMO PLUG
06	9030-150750-1000	CONTROL LEVER, WINCH	1	
07	7000-150760	CABLE, WINCH	1	
08	7000-037370	MOUNTING BRACKET, WINCH	1	
09	30006-080016810	BOLT M8x16	4	M8x16
10	30006-102020810	BOLT M10x1.25x20	2	M10x1.25x20
11	30204-102810	NUT M10x1.25	2	M10x1.25
12	30006-080025810	BOLT	4	M8x25
13	30303-080112	WASHER	4	8
14	30006-060020810	BOLT M6x20	4	M6x20



F15-2-V2 绞盘总成 TOWING WINCH

Item No.	Parts Number	Parts Name(EN)	Qty	Specification
01	9030-150730	CABLE PULLEY	1	
02	700V-150700-1500	WINCH ASSY	1	
02	700V-150700-1600	WINCH ASSY	1	
03	7030-150741	HOOK, CABLE	1	
04	7000-150710	CONTROL SWITCH SEAT, WINCH	1	SUMITOMO PLUG
04	9030-150710	CONTROL SWITCH SEAT, WINCH	1	
05	9010-150720-4000	CONTROL RELAY	1	LIANDA
05	7000-150720	CONTROL RELAY, WINCH	1	SUMITOMO PLUG
06	9030-150750-1000	CONTROL LEVER, WINCH	1	
07	700V-150720-1500	CABLE, WINCH POWER	1	
08	7000-037370	MOUNTING BRACKET, WINCH	1	
09	30006-080016810	BOLT M8x16	4	M8x16
10	30006-102020810	BOLT M10x1.25x20	2	M10x1.25x20
11	30204-102810	NUT M10x1.25	2	M10x1.25
12	30006-080025810	BOLT	4	M8x25
13	30303-080112	WASHER	4	8
14	30006-060020810	BOLT M6x20	4	M6x20
15	700V-150710-1500	CABLE, WINCH POWER	1	

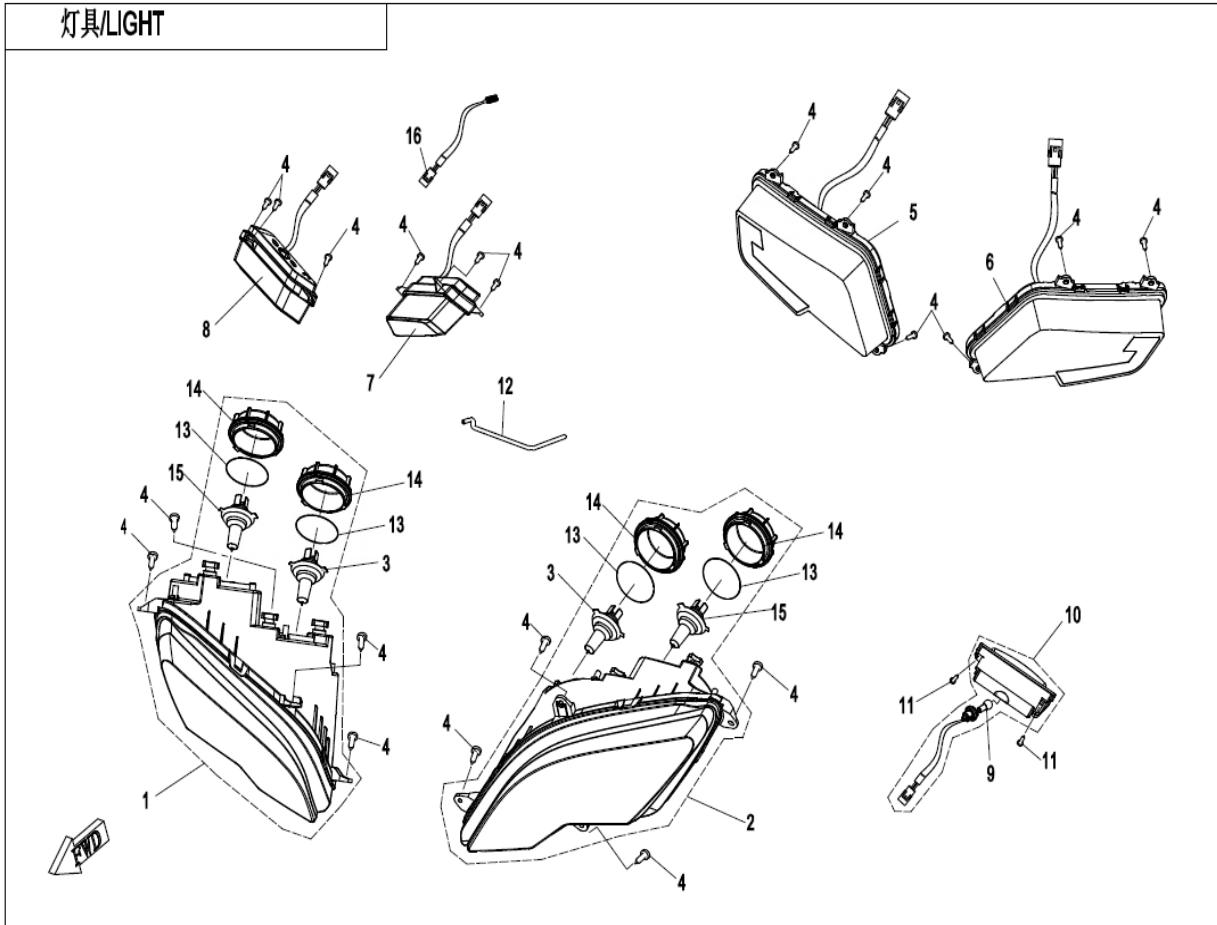
F15-3 喷油系统/FUEL INJECTION SYSTEM



F15-3 喷油系统 FUEL INJECTION SYSTEM

Item No.	Parts Number	Parts Name(EN)	Qty	Specification
01	0GR0-170002	CLAMP, INJECTOR CAP	1	
02	0GR0-170010	INJECTOR CAP	1	
03	0GR0-171000	FUEL INJECTOR	1	
04	0GRB-173000-60000	THROTTLE BODY ASSY	1	
04	0GRB-173000-20000	THROTTLE BODY	1	LIMITED POWER
04	0GRB-173000-30000	THROTTLE BODY	1	NO POWER LIMIT
04	0GQ0-173000-30000	THROTTLE BODY	1	
05	0010-023008-0010	BOLT M6x18	1	M6x18

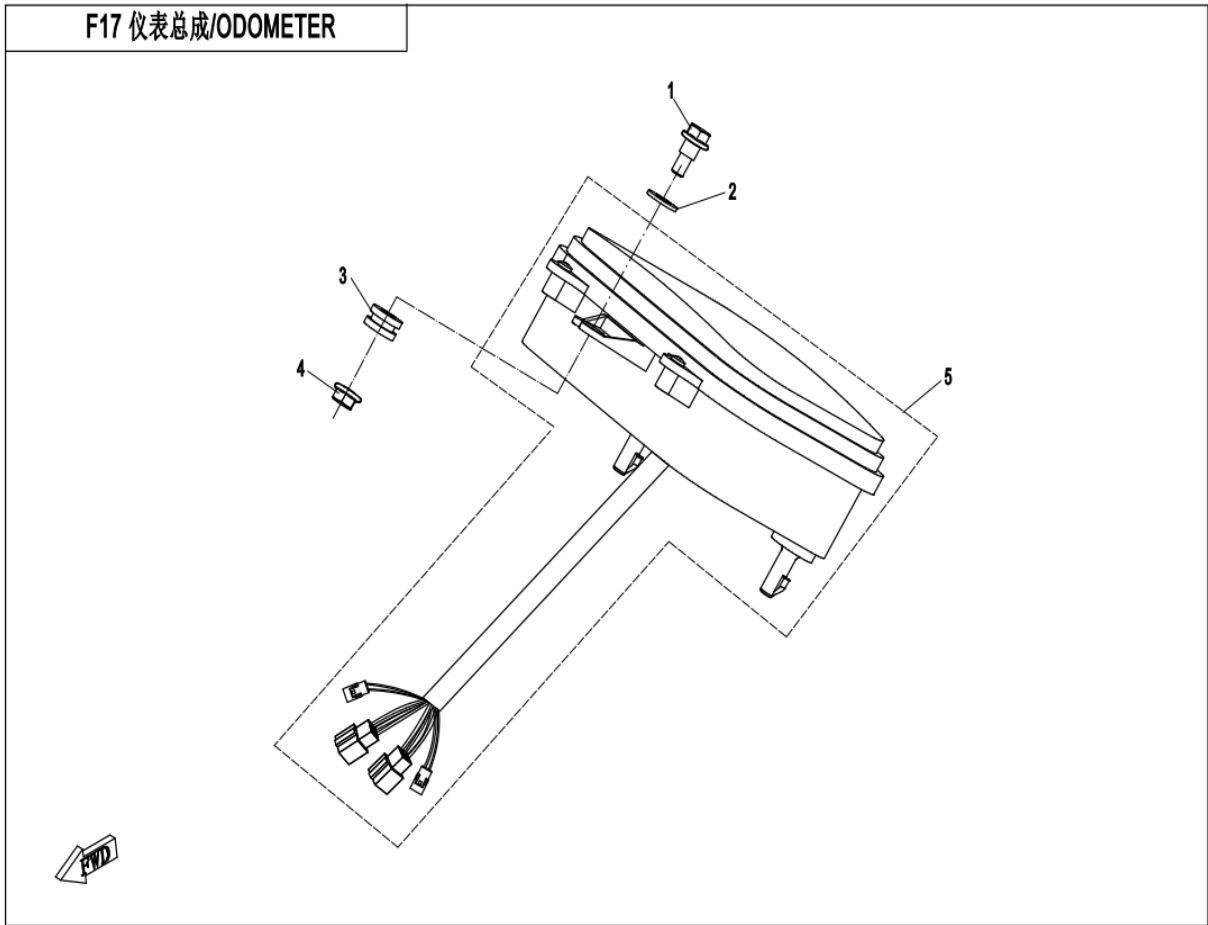
灯具/LIGHT



F16 灯具 LIGHT

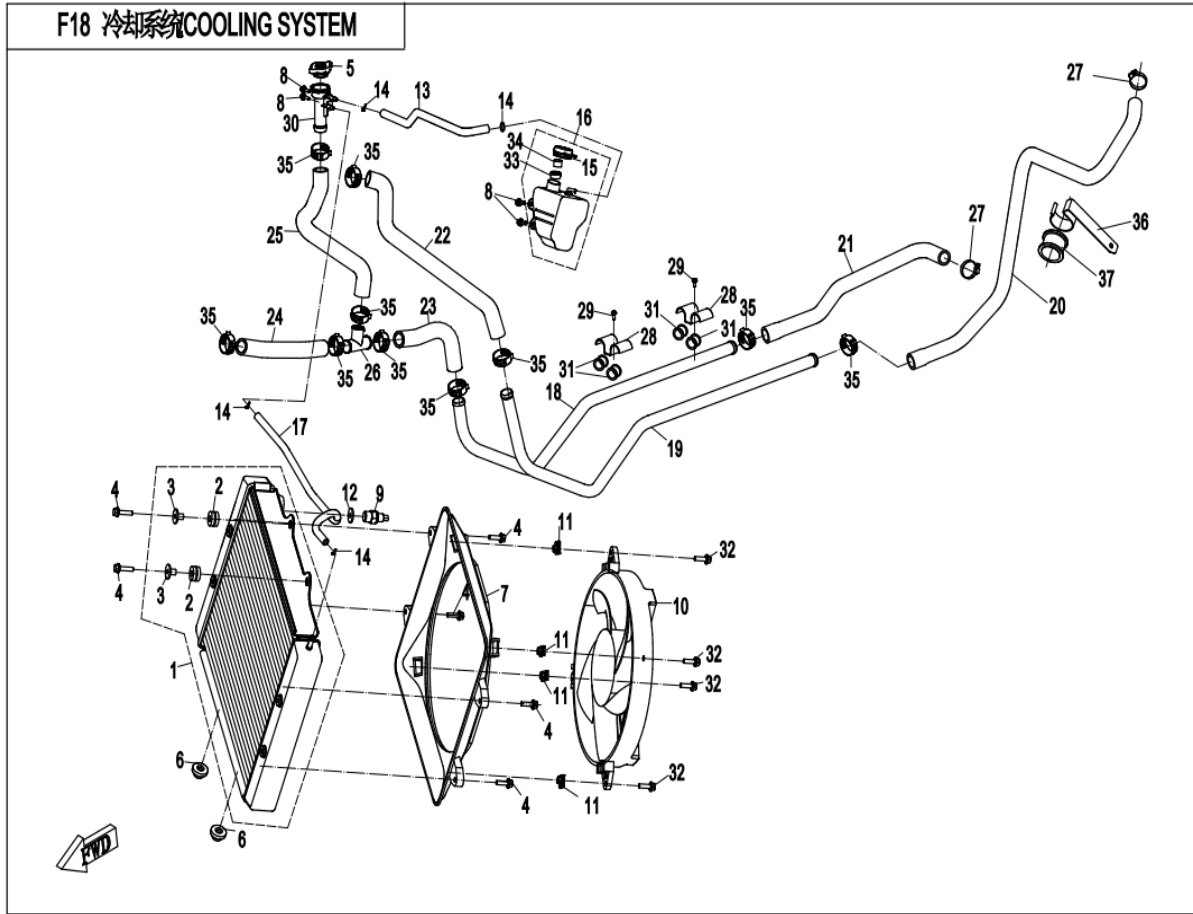
Item No.	Parts Number	Parts Name(EN)	Qty	Specification
01	7030-160120-10000	HEADLIGHT, RH	1	EURO@^USA, Chongqing Jiali
01	7030-160120-00001	HEADLIGHT, RH	1	EURO@^USA, Zhejiang Taifa
02	7030-160110-10000	HEADLIGHT, LH	1	EURO@^USA, Chongqing Jiali
02	7030-160110-00001	HEADLIGHT, LH	1	EURO@^USA, Zhejiang Taifa
03	3112036	BULB	2	H7 12V 55W PX26
04	30110-420160010	SELF-TAPPING SCREW ST4.2x16	20	ST4.2x16
05	7000-160210-20000	TAIL LIGHT, LH	1	EURO, Chongqing Jiali
05	7000-160230	TAIL LIGHT, LH	1	USA
05	7000-160210	TAIL LIGHT, LH	1	EURO, Zhejiang Taifa
06	7000-160220-20000	TAIL LIGHT, RH	1	EURO, Chongqing Jiali
06	7000-160240	TAIL LIGHT, RH	1	USA
06	7000-160220	TAIL LIGHT, RH	1	EURO, Zhejiang Taifa
07	7030-160310	FRONT TURN LIGHT, LH	1	ORDINARY
07	7030-160310-10000	FRONT TURN LIGHT, LH	1	SUMITOMO PLUG
08	7030-160320	FRONT TURN LIGHT, RH	1	ORDINARY
08	7030-160320-10000	FRONT TURN LIGHT, RH	1	SUMITOMO PLUG
09	3112017	BULB	1	W5W 12V 5W W2.1x9.5d
10	9020-160410-10001	LICENCE LIGHT	1	SUMITOMO PLUG
10	9020-160410-20000	LICENCE LIGHT	1	ORDINARY
11	30105-050012410	SCREW M5x12	2	M5x12
12	7030-160412	RH BREATHER HOSE, HEADLIGHT	2	
13	7030-160112	SEAL RING, HEADLIGHT	4	
14	7030-160111	COVER, HEADLIGHT	4	
15	3112020	BULB	2	12V 55W P14.5s
16	5BWA-160330-20000	ADAPTOR CABLE, FRONT TURN LIGHT	2	SUMITOMO PLUG
16	5BWA-160330-10000	ADAPTOR CABLE, FRONT TURN LIGHT	2	

F17 仪表总成/ODOMETER



F17 仪表总成 ODOMETER

Item No.	Parts Number	Parts Name(EN)	Qty	Specification
01	8010-040038	BOLT M6x22	1	M6x22
02	30306-080112	WASHER	1	8
03	5020-031001	RUBBER SLEEVE, FRONT LICENSE BRACKET	2	
04	8030-040800-00001	NUT CLIP M6	1	M6
05	5BR0-170100-00001	DASHBOARD ASSY	1	
05	5BR0-170100-10001	DASHBOARD ASSY	1	

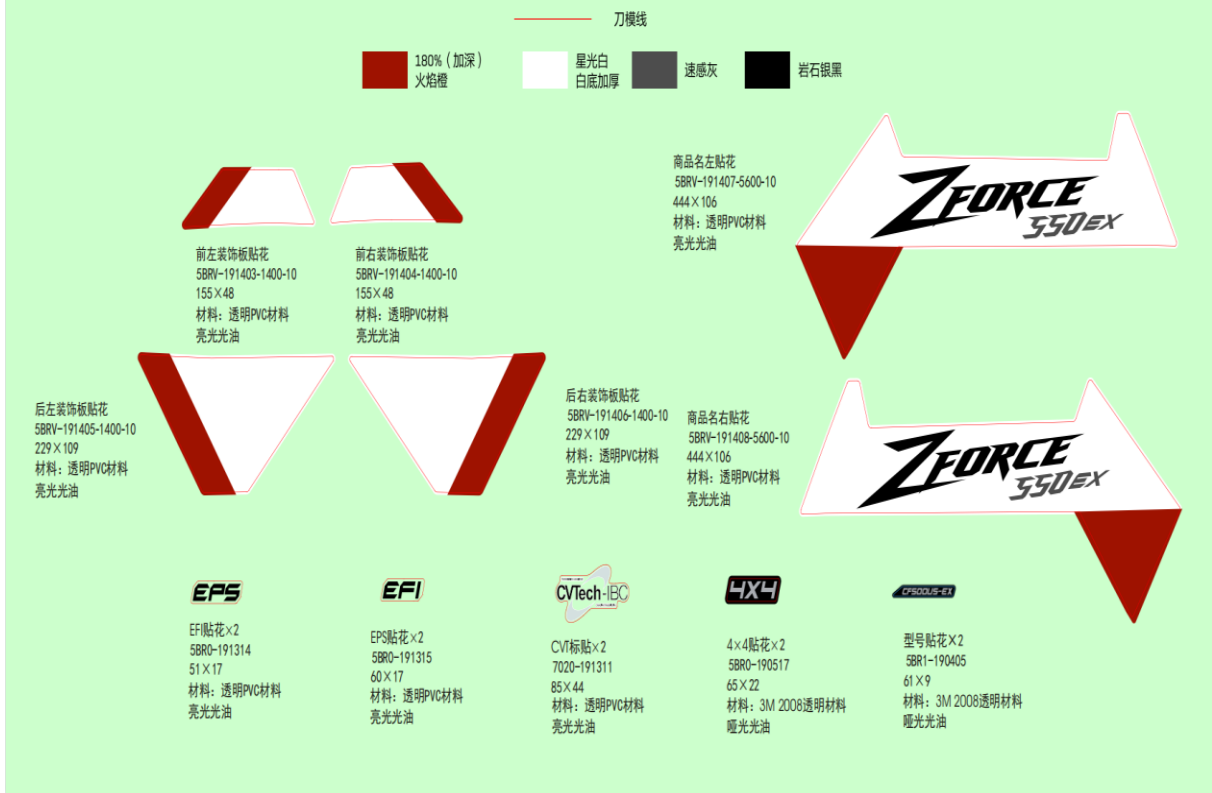


F18 冷却系统 COOLING SYSTEM

Item No.	Parts Number	Parts Name(EN)	Qty	Specification
01	9060-180100-1000	RADIATOR ASSY	1	
02	9060-180027	RUBBER CUSHION, RADIATOR	2	
03	9060-180029	RUBBER CUSHION TUBE, RADIATOR	2	
04	30006-060025810	BOLT M6x25	2	M6x25
05	8010-180024	CAP, WATER FILLER	1	
06	9060-180026	PIN RUBBER CAP, RADIATOR	2	
07	9060-181301	DEFLECTOR, FAN	1	
08	30006-060016810	BOLT M6x16	4	M6x16
09	7020-150600	THERMO SWITCH	1	
10	7020-181400	FAN&MOTOR	1	ORDINARY
10	7020-181400-1000	FAN&MOTOR	1	SUMITOMO PLUG
11	8030-040800-00001	NUT CLIP M6	4	M6
12	6050-180006	RUBBER WASHER 16x23x2	1	
13	9060-180024	WATER HOSE, RESERVOIR TANK	1	
14	30601-110010	CLAMP A10	4	A10
15	8010-180023	CAP, RESERVOIR TANK	1	
16	9060-180900	RESERVOIR TANK ASSY	1	
17	9060-180023	OVERFLOW HOSE, RADIATOR	1	
18	7000-180011	ALUM. WATER PIPE 1	1	
19	7000-180012	ALUM. WATER PIPE 2	1	
20	5BR0-180001	WATER OUTLET PIPE, ENGINE	1	
21	5BR0-180002	WATER INLET PIPE, ENGINE	1	
22	7000-180003	WATER INLET HOSE, RADIATOR	1	
23	9060-180005-00001	TRANSITION WATER PIPE	1	
24	9060-180004-00001	WATER OUTLET HOSE,RADIATOR	1	
25	9060-180006-00001	JOINT PIPE, WATER FILLER	1	
26	9060-180022	T-JOINT, WATER HOSE	1	
27	9010-180007	CLAMP, WATER HOSE	2	
28	9030-180006	CLASP, WATER HOSE	2	
29	30105-060016410	SCREW M6x16	2	M6x16
30	9060-180025-1000	WATER FILLING PORT	1	
31	9030-180009	RUBBER COLLAR, WATER HOSE	4	
32	30006-060020810	BOLT M6x20	8	M6x20
33	9060-180903	GASKET, RESERVOIR	1	
34	9060-180031	PLUG, WATER OVERFLOW	1	
35	7000-180007	STEEL BAND CLAMP 34	10	WHITE
36	5BR0-180003	BRACKET, WATER PIPE	1	
37	5BR0-180004	DAMPER, WATER PIPE	1	

欧规167 T1b法规/无法规

MY22 ZFORCE 550 EX 贴花量产完稿 火焰橙配色



F19-1-A 2021款个性贴花(火焰橙) DECAL,2021(LAVA ORANGE)

Item No.	Parts Number	Parts Name(EN)	Qty	Specification
01	5BRX-1902A0	DECAL ASSY	1	
02	5BRV-191403-1400-10	DECAL, LH FRONT DECO PLATE	1	
03	5BRV-191404-1400-10	DECAL, RH FRONT DECO PLATE	1	
04	5BRV-191405-1400-10	DECAL, LH REAR DECO PLATE	1	
05	5BRV-191406-1400-10	DECAL, RH REAR DECO PLATE	1	
06	5BRV-191407-5600-10	LH COMMERCIAL NAME DECAL	1	
07	5BRV-191408-5600-10	RH COMMERCIAL NAME DECAL	1	
08	5BR0-191314	EPS DECAL	2	
09	5BR0-191315	EFI DECAL	2	
10	7020-191311	CVT LABEL	2	
11	5BR0-190517	4X4 DECAL	2	
12	5BR1-190405	MODEL DECAL	2	

欧规167 T1b法规/无法规

MY22 ZFORCE 550 EX 贴花量产完稿 钛金灰配色



F19-1-B 2021款个性贴花(钛金灰) DECAL,2021(TITANIUM GREY)

Item No.	Parts Number	Parts Name(EN)	Qty	Specification
01	5BRX-1902A0-10000	DECAL ASSY	1	
02	5BRV-191403-1400-11	DECAL, LH FRONT DECO PLATE	1	
03	5BRV-191404-1400-11	DECAL, RH FRONT DECO PLATE	1	
04	5BRV-191405-1400-11	DECAL, LH REAR DECO PLATE	1	
05	5BRV-191406-1400-11	DECAL, RH REAR DECO PLATE	1	
06	5BRV-191407-5600-11	LH COMMERCIAL NAME DECAL	1	
07	5BRV-191408-5600-11	RH COMMERCIAL NAME DECAL	1	
08	5BR0-191314	EPS DECAL	1	
09	5BR0-191315	EFI DECAL	1	
10	7020-191311	CVT LABEL	1	
11	5BR0-190517	4X4 DECAL	1	
12	5BR1-190405	MODEL DECAL	1	

CF500US-EX阿根廷SMP客户标贴

驾驶警告标贴
5BR0-191101 EU163 185x80

PRECAUCION

El uso inadecuado del equipo puede dar por resultado **SERIAS LESIONES O LA MUERTE**. La utilización y conducción es diferente a la de un automóvil de pasajeros u otro vehículo.

- Capacidad estándar: 1 conductor y 1 pasajero. El equipo debe estar en condiciones de terreno de la especificación ubicada en el manual.
- Este vehículo debe ser conducido por personas de por lo menos 16 años de edad e inclusive con licencia de conducir válida. Los adultos deben supervisar el uso por parte de menores.
- Siempre use los cinturones de seguridad y los requisitos de esta máquina.
- Para todo el equipo personal: 45 Kg máximo incluyendo el conductor, pasajeros, accesorios y carga.
- El equipo y la carga afectan la maniobrabilidad y la estabilidad.

CERCIONARSE QUE LOS NIÑOS PRESTEN ATENCIÓN
Si siempre se acuerda que el vehículo puede volar o volar, tenga en cuenta lo siguiente para reducir el riesgo de lesiones:

- Mantenga un agarre firme en el volante o apurador.
- No coloque ninguna parte de su cuerpo fuera del vehículo por cualquier razón.

ESTAR PREPARADO

- Abécherese los cinturones.
- Llévate puesto un casco y equipo de protección.
- Asegúrese siempre con los ruidos de la cabina.
- Cada piloto debe ser capaz de contactar con la posición correcta del asiento, pies apoyados sobre el piso y las manos en el volante o apurador. Permanecer completamente en el interior del vehículo.

LEA EL Y LEA EL MANUAL DEL USUARIO. SIGA TODAS LAS INSTRUCCIONES Y PRECAUCIONES.



安全警告标贴
5BR0-191102 EU163 185x80

PRECAUCION

El uso inadecuado del equipo puede dar por resultado **SERIAS LESIONES O LA MUERTE**.

RESPONSABILIDAD DEL CONDUCTOR
Evitar la pérdida de control y vuelcos:

- Evitar maniobras bruscas, de fren, de desdramiento, arrastro, o colada.
- Reducir la velocidad antes de entrar en una curva.
- Evitar aceleraciones fuertes cuando se enciende, incluso desde una parada.
- Evitar colinas, terrenos irregulares, baches y otros cambios en la tracción y el terreno, evitar las superficies pantanosas.

Los vuelcos han causado lesiones graves y muerte, incluso en terreno plano.

REQUIEREN EL USO APROPIADO DE SU VEHICULO
Haga su parte para evitar lesiones:

- No permita la conducción negligente o imprudente. Los conductores deberán ser mayores de 16 años con una licencia de conducir válida.
- No deje que la gente conduzca después de consumir alcohol o drogas.
- No conducir en la vía pública.
- No exceda la capacidad de asientos.

LEA EL Y LEA EL MANUAL DEL USUARIO. SIGA TODAS LAS INSTRUCCIONES Y PRECAUCIONES.



拖挂载货说明标贴
5BR0-191108 120x20

PRECAUCION

La carga incorrecta de un remolque puede causar lesiones graves o la muerte. El equipo debe estar en condiciones de terreno de la especificación ubicada en el manual. El conductor debe ser mayor de 16 años con una licencia de conducir válida. El equipo y la carga afectan la maniobrabilidad y la estabilidad. El conductor debe ser capaz de contactar con la posición correcta del asiento, pies apoyados sobre el piso y las manos en el volante o apurador. Permanecer completamente en el interior del vehículo.

企标x2 (澳型)
7000-191212-1
76x64



企标x1 (澳型)
4060-191001-1
58x49



发动机机油警告标贴
5BR0-191106 EU163 60x30

ATENCIÓN

Controle el aceite del motor cada 500 kilómetros.

四驱操作警告标贴
5BR0-191107 EU163 60x22

PRECAUCION

El uso inadecuado del equipo puede dar por resultado lesiones graves o la muerte. El equipo debe estar en condiciones de terreno de la especificación ubicada en el manual. El conductor debe ser mayor de 16 años con una licencia de conducir válida. El equipo y la carga afectan la maniobrabilidad y la estabilidad. El conductor debe ser capaz de contactar con la posición correcta del asiento, pies apoyados sobre el piso y las manos en el volante o apurador. Permanecer completamente en el interior del vehículo.

货箱警告说明标贴
5BR0-191103 EU163 116x85

PRECAUCION

Si no respeta las siguientes recomendaciones puede recibir **SERIAS LESIONES O LA MUERTE**:

- Peso máximo en la caja de carga: 100Kg.
- Nunca transporte pasajeros en la caja de carga.
- La carga afecta la maniobrabilidad y la estabilidad. Lea el manual del usuario antes de colocar la carga o el remolque.
- Cuando lleve carga o lleve un remolque: Reduzca la velocidad y deje mayor espacio para frenar. Evite colinas y el terreno áspero.
- Confirme que la carga esté firmemente asegurada ya que su desplazamiento hace que el manejo cambie inesperadamente.
- Mantenga el peso de la carga bien centrada, y lo más baja y adelantada posible. Las cargas altas y pesadas incrementan el peligro de volcar.

进风口警告标贴
5BR0-191104 EU163 80x30

PRECAUCION

Rejilla de admisión del aire al filtro. NO LA CUBRA!



轮胎气压说明标贴
5BR0-191105 EU163 70x61

PRECAUCION

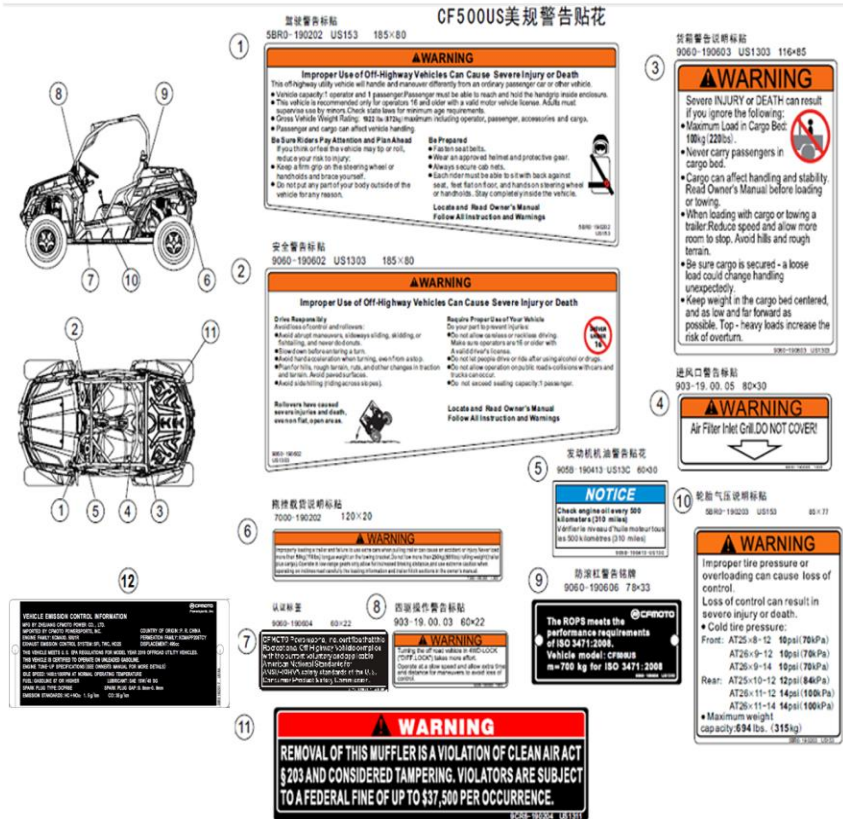
La presión inadecuada de los neumáticos o la sobrecarga pueden causar pérdida de control. La pérdida de control puede causar lesiones graves o la muerte.

PRESEION DE NEUMÁTICOS: ajustar en frío.

- DELANTERA: AT25x8-12 10 psi (70 kPa), AT25x8-12 10 psi (70 kPa), AT25x8-14 10 psi (70 kPa)
- TRASERA: AT25x10-12 12 psi (84 kPa), AT25x11-12 14 psi (100 kPa), AT25x11-14 14 psi (100 kPa)

F19-2-A 警告贴花(阿根廷) WARNING DECALS(Argentina)

Item No.	Parts Number	Parts Name(EN)	Qty	Specification
01	5BR0-191101	WARNING LABEL, DRIVING	1	
02	5BR0-191102	WARNING LABEL, SAFETY	1	
03	5BR0-191103	WARNING LABEL, CARGO BOX	1	
04	5BR0-191104	WARNING LABEL, AIR INLET PORT	1	
05	5BR0-191105	INSTRUCTION LABEL, TIRE PRESSURE	1	
06	5BR0-191106	WARNING LABEL, ENGINE OIL	1	
07	5BR0-191107	WARNING LABEL, 4WD OPERATION	1	
08	5BR0-191108	INSTRUCTION LABEL, TOWING LOAD	1	
09	4060-191001-10000	CORPORATE LOGO	1	47.5*48.5
10	7000-191212-10000	CORPORATE LOGO	1	74.5*62

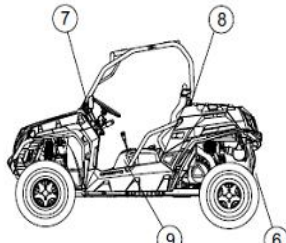


F19-2-B 警告贴花(美规) DECAL(USA)

Item No.	Parts Number	Parts Name(EN)	Qty	Specification
01	5BR0-190202	WARNING LABEL, DRIVING	1	
02	9060-190602	WARNING LABEL, SAFETY	1	
03	9060-190603	WARNING LABEL, CARGO BOX	1	
04	9030-190005	WARNING LABEL, AIR INLET PORT	1	
05	905B-190413-US13C	WARNING DECAL, ENGINE OIL	1	
06	7000-190202	INSTRUCTION LABEL, TOWING LOAD	1	
07	5HY0-190009-10000	DECAL, HOMOLOGATION	1	
08	9030-190003	WARNING LABEL, 4WD OPERATION	1	
09	9060-190606	WARNING PLATE, ANTI-ROLLING BAR	1	
10	5BR0-190203	INSTRUCTION LABEL, TIRE PRESSURE	1	
11	9CR6-190204	DECAL, EMISSION CONTROL	1	EPA
12	5BR0-190201-70000	EPA	1	2019@49 STATES
12	5BR0-190201-80000	EPA	1	2019@50 STATES

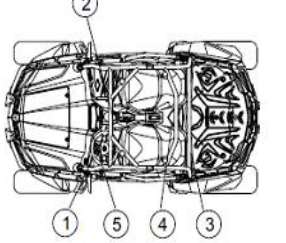
CF500US欧规警告贴花

1 驾驶警告贴花
5BR0-190101 US153 185×80



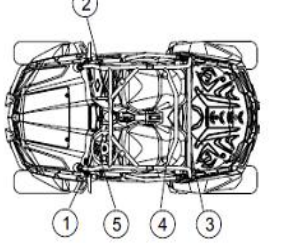
WARNING
Improper Use of Off-Highway Vehicles Can Cause Severe Injury or Death
This utility vehicle will handle and maneuver differently from an ordinary passenger car or other vehicle.
• Vehicle capacity: 1 operator and 1 passenger. Passenger must be able to reach and hold the handgrip inside enclosure.
• This vehicle is recommended only for operators 16 and older with a valid motor vehicle license. Adults must supervise use by minors. Check state laws for minimum age requirements.
• Gross Vehicle Weight Rating: 1787 lbs (810kg) maximum including operator, passenger, accessories and cargo.
• Passenger and cargo can affect vehicle handling.
Be Sure Riders Pay Attention and Plan Ahead
If you think or feel the vehicle may tip or roll, reduce your risk of injury:
• Keep a firm grip on the steering wheel or handholds and brace your self.
• Do not put any part of your body outside of the vehicle for any reason.
Be Prepared
• Fasten seat belts.
• Wear an approved helmet and protective gear.
• Always secure cab nets.
• Each rider must be able to sit with back against seat, feet flat on floor, and hands on steering wheel or handholds. Stay completely inside the vehicle.
Locate and Read Owner's Manual Follow All Instruction and Warnings
9060-190602 US153

3 货箱警告说明贴花
9060-190603 US1303 116×85



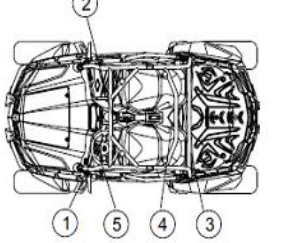
WARNING
Severe INJURY or DEATH can result if you ignore the following:
• Maximum Load in Cargo Bed: 100kg (220lbs).
• Never carry passengers in cargo bed.
• Cargo can affect handling and stability. Read Owner's Manual before loading or towing.
• When loading with cargo or towing a trailer: Reduce speed and allow more room to stop. Avoid hills and rough terrain.
• Be sure cargo is secured - a loose load could change handling unexpectedly.
• Keep weight in the cargo bed centered, and as low and far forward as possible. Top - heavy loads increase the risk of overturn.
9060-190603 US1503

2 安全警告贴花
9060-190602 US1303 185×80



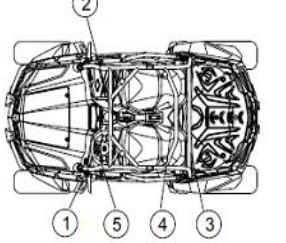
WARNING
Improper Use of Off-Highway Vehicles Can Cause Severe Injury or Death
Drive Responsibly
Avoid loss of control and rollovers:
• Avoid abrupt maneuvers, sideways sliding, skidding or swerving, and never do donuts.
• Slow down before entering a turn.
• Avoid hard acceleration when turning, even from a stop.
• Drive on hills, rough terrain, ruts, and other changes in traction and terrain. Avoid paved surfaces.
• Avoid side-hilling (riding across slopes).
Rollovers have caused severe injury or death, even on flat, open areas.
Require Proper Use of Your Vehicle
Do your part to prevent injuries:
• Do not allow carelessness or reckless driving. Make sure operators are 16 or older with a valid driver's license.
• Do not let people drive or ride after using alcohol or drugs.
• Do not allow operation on public roads - collisions with cars and trucks can occur.
• Do not exceed seating capacity: 1 passenger.
Locate and Read Owner's Manual Follow All Instruction and Warnings
9060-190602 US1303

4 进风口警告贴花
903-19-00-05 80×30



WARNING
Air Filter Inlet Grill DO NOT COVER!
903-190005 US153

5 发动机机油警告贴花
905B-190413-US13C 60×30



NOTICE
Check engine oil every 500 kilometers (310 miles)
Vérifier l'huile moteur toutes les 500 kilomètres (310 miles)
905B-190413-US13C

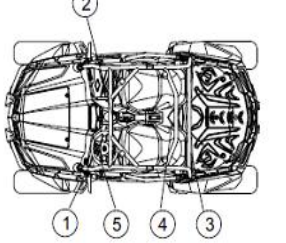
6 拖挂载货说明贴花
7000-190104 120×20

WARNING
Improper loading a trailer and failure to use extra care when pulling trailer can cause an accident or injury worse than 10kg (22lb) tongue weight on the towing tractor. Do not tow more than 100kg (220lb) using weight trailer (see notes). Observe the tow strap capacity and allow for increased braking distance and use extreme caution when starting or increase need carefully the loading information and trailer hitch section in the owner's manual.
9060-190602 US1503

7 四驱操作警告贴花
903-19-00-03 60×22

WARNING
Turning the off road vehicle in 4WD-LOCK (OFF-LOCK) takes more effort. Operate at a slow speed and allow extra time and distance for maneuvers to avoid loss of control.
903-190003 US153

8 防撞杠警告贴花
9060-190606 78×33



The ROPS meets the performance requirements of ISO 3471:2008.
Vehicle model: CF500US
m=700 kg for ISO 3471:2008
9060-190606 US153

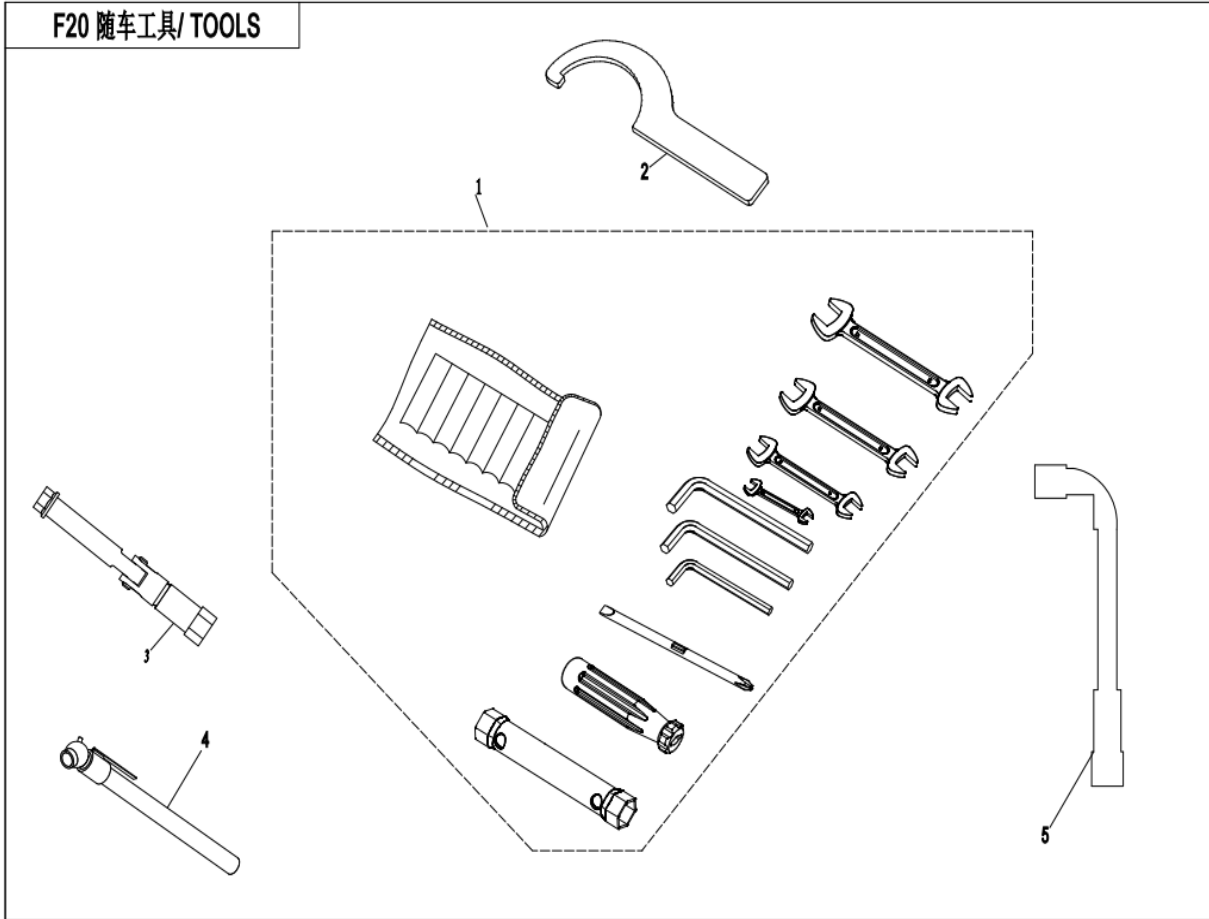
9 轮胎气压说明贴花
5BR0-190102 US153 85×77

WARNING
Improper tire pressure or overloading can cause loss of control. Loss of control can result in severe injury or death.
• Cold tire pressure:
Front: AT25×8-12 10psi (70kPa)
AT26×9-12 10psi (70kPa)
AT26×9-14 10psi (70kPa)
Rear: AT25×10-12 12psi (84kPa)
AT26×11-12 14psi (100kPa)
AT26×11-14 14psi (100kPa)
9060-190603 US1503

F19-2-C 警告贴花(欧规) WARNING DECALS(EURO)

Item No.	Parts Number	Parts Name(EN)	Qty	Specification
01	5BR0-190101	WARNING LABEL, DRIVING	1	
02	9060-190602	WARNING LABEL, SAFETY	1	
03	9060-190603	WARNING LABEL, CARGO BOX	1	
04	9030-190005	WARNING LABEL, AIR INLET PORT	1	
05	905B-190413-US13C	WARNING DECAL, ENGINE OIL	1	
06	7000-190104	INSTRUCTION LABEL, TOWING LOAD	1	
07	9030-190003	WARNING LABEL, 4WD OPERATION	1	
08	9060-190606	WARNING PLATE, ANTI-ROLLING BAR	1	
09	5BR0-190102	INSTRUCTION LABEL, TIRE PRESSURE	1	

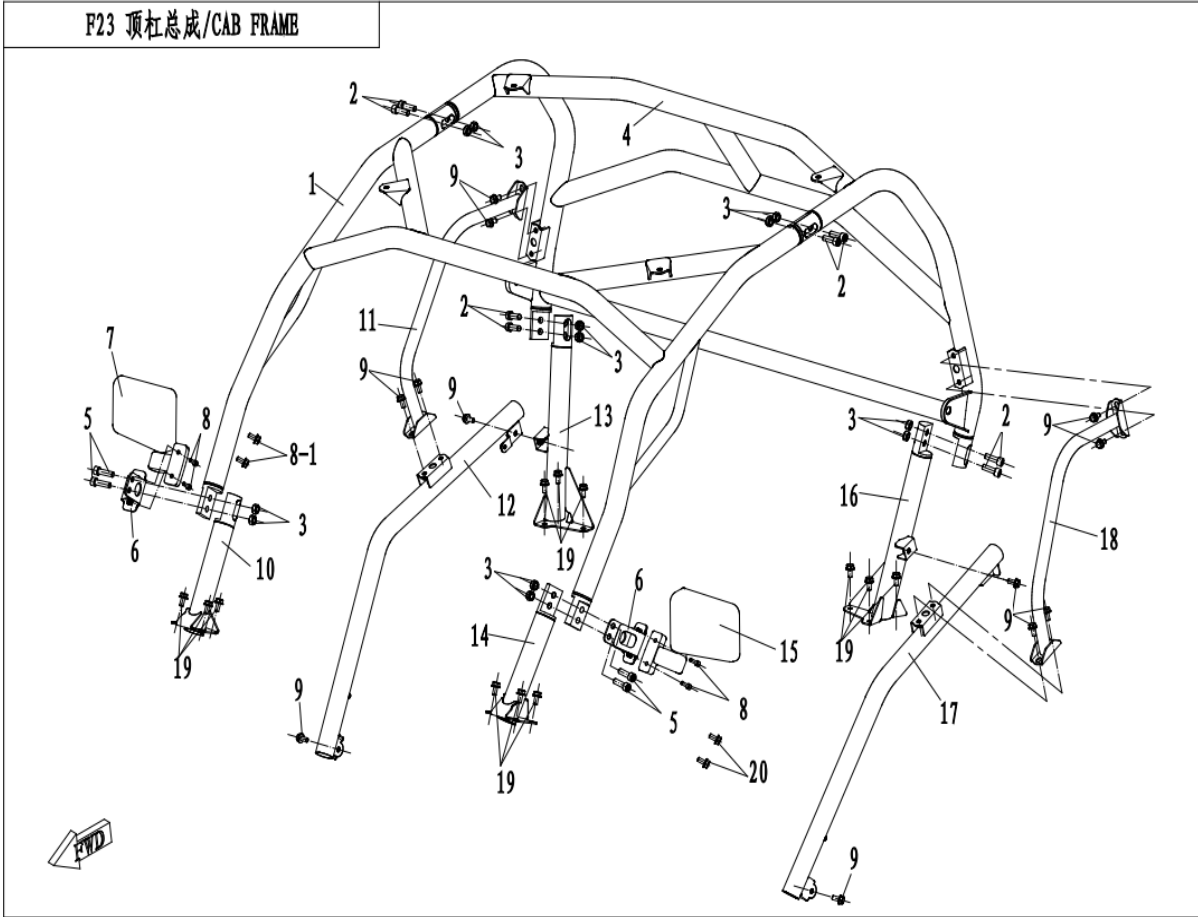
F20 随车工具/ TOOLS



F20-V2 随车工具 TOOLS

Item No.	Parts Number	Parts Name(EN)	Qty	Specification
01	9DS#-200100-6000	TOOL KIT	1	
02	9060-203001	WRENCH, SHOCK ABSORBER	1	
03	A000-200310	WRENCH, SPARK PLUG	1	
04	TFQ002	TIRE PRESSURE PEN	1	
05	7000-200301	SLEEVE, AIR FILTER	1	

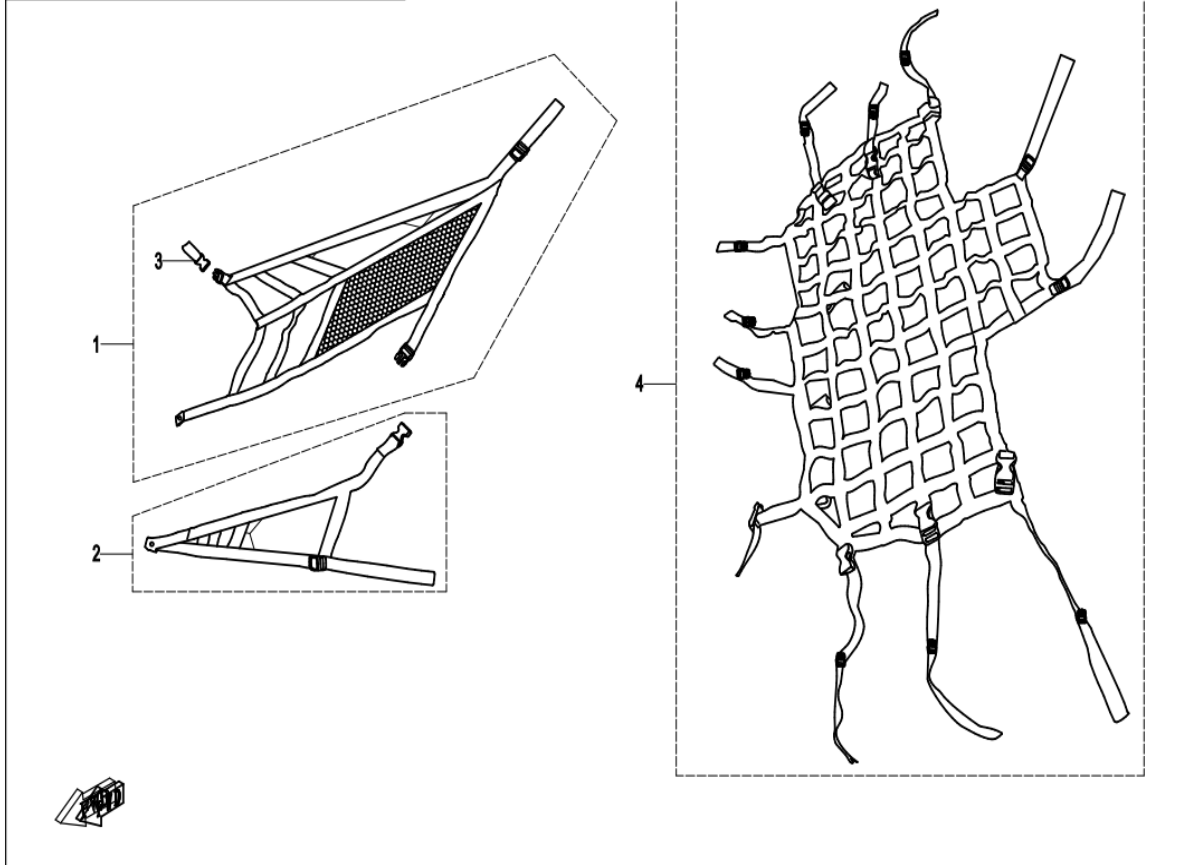
F23 顶杠总成/CAB FRAME



F23 顶杠总成 CAB FRAME

Item No.	Parts Number	Parts Name(EN)	Qty	Specification
01	7000-230400-1BB0	FRONT FRAME, CAB	1	PLASTIC POWDER
01	7000-230400-1EG00	FRONT FRAME, CAB	1	ELECTROPHORESIS+CORAL BLUE PLASTIC POWDER
02	9010-300001	BOLT M10x1.25x30	8	M10x1.25x30
03	30203-102110	NUT M10x1.25	12	M10x1.25
04	7000-230500-5EG00	REAR FRAME, CAB	1	ELECTROPHORESIS BLACK+CORAL BLUE PLASTIC POWDER
04	7000-230500-5BB00	REAR FRAME, CAB	1	PLASTIC POWDER
04	7000-230500-7BB00	REAR FRAME, CAB	1	PLASTIC POWDER
05	30102-102035810	SCREW M10x1.25x35	4	M10x1.25x35
06	7000-230010-0BB0	MOUNT SEAT, REAR VIEW MIRROR	2	PLASTIC POWDER
06	7000-230010	MOUNT SEAT, REAR VIEW MIRROR	2	
07	7030-260120	REAR VIEW MIRROR, RH	1	
08	30102-060020810	SCREW M6x20	4	M6x20
09	30006-080016810	BOLT M8x16	12	M8x16
10	7000-230700-0BB0	FRONT LOWER RH FRAME, CAB	1	PLASTIC POWDER
11	7000-230020-1EG00		1	
11	7000-230020-1BB0	RH PROTECTION PIPE, PASSENGER	1	PLASTIC POWDER
12	7000-037630-1BB0	ARMREST RAIL ASSY, RH	1	PLASTIC POWDER
12	700V-037630-1000-0BB00	RH ARMREST ASSY	1	
13	700V-230900-1000-0BB00	REAR LOWER RH PART, CAB	1	
14	7000-230600-0BB0	FRONT LOWER LH FRAME, CAB	1	PLASTIC POWDER
15	7030-260110	REAR VIEW MIRROR, LH	1	
16	700V-230800-1000-0BB00	REAR LOWER LH PART, CAB	1	
17	7000-037670-1BB0	ARMREST RAIL ASSY, LH	1	PLASTIC POWDER
17	700V-037670-1000-0BB00	LH ARMREST ASSY	1	
18	7000-230030-1EG00	LH PROTECTION PIPE, PASSENGER	1	ELECTROPHORESIS+CORAL BLUE PLASTIC POWDER
18	7000-230030-1BB0	LH PROTECTION PIPE, PASSENGER	1	PLASTIC POWDER
19	30006-080025810	BOLT	14	M8x25
20	30006-060012810	BOLT M6x12	4	M6x12

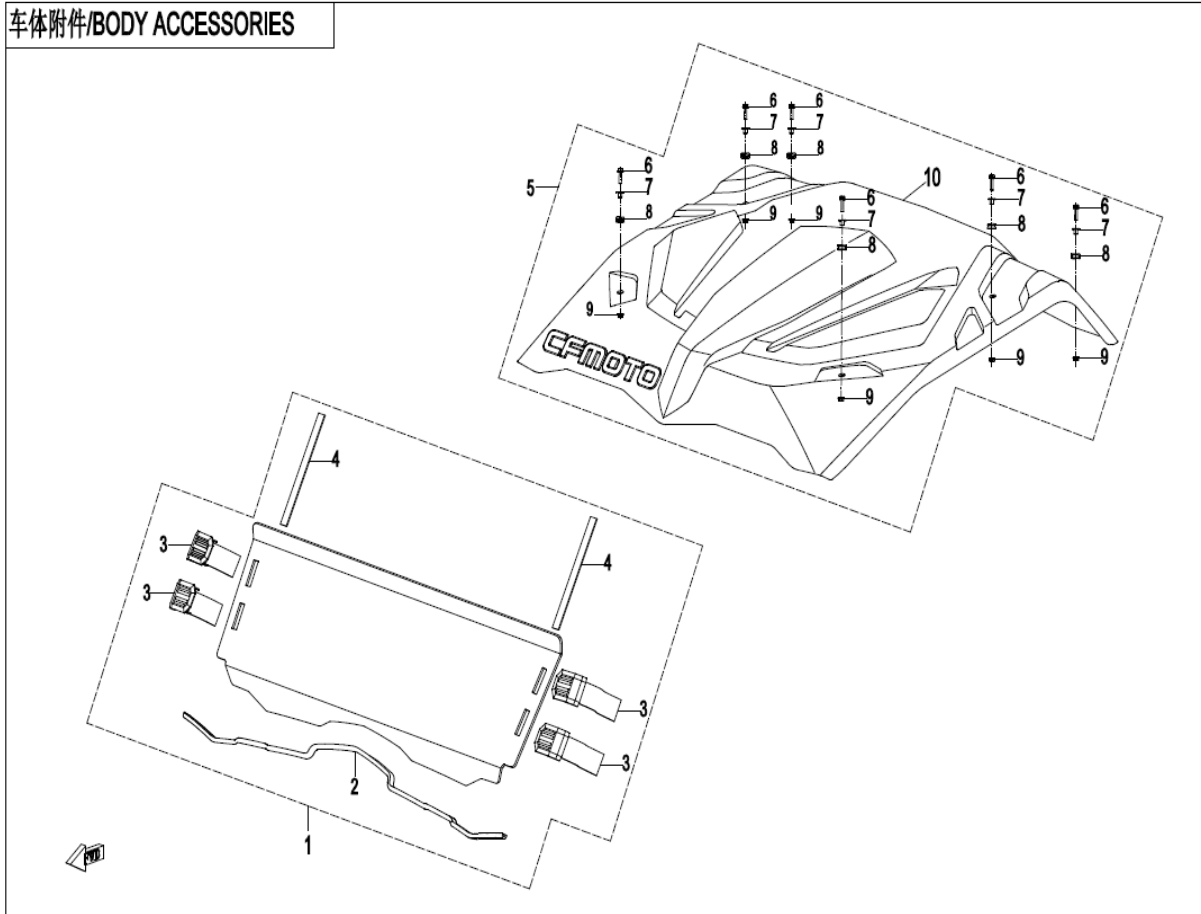
F26-1车体附件/BODY ACCESSORIES



F26-1 车体附件 BODY ACCESSORIES

Item No.	Parts Number	Parts Name(EN)	Qty	Specification
01	9060-260100	SIDE NET, UPPER	2	
02	9060-260200	SIDE NET, LOWER	2	
03	9060-260104	FIXING, SIDE NETS	2	
04	9060-260300	CARGO NET	1	

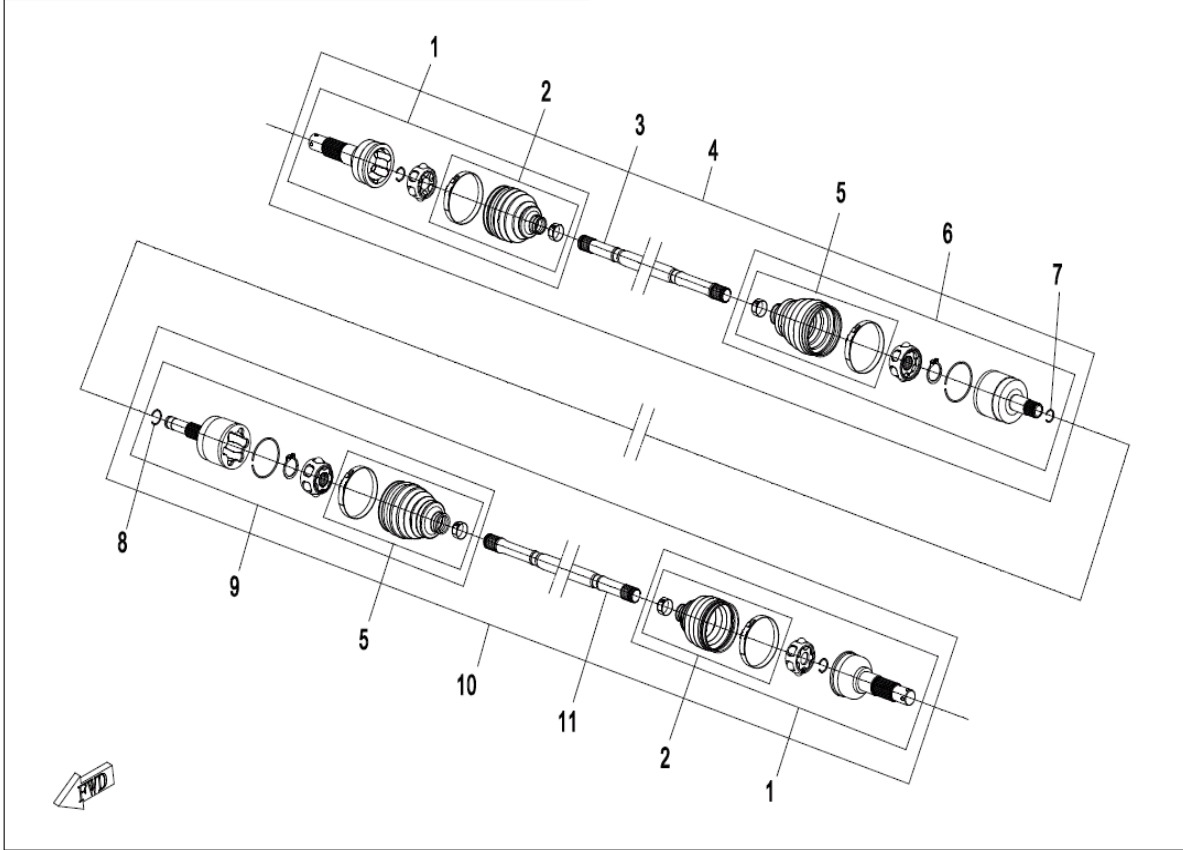
车体附件/BODY ACCESSORIES



F26-2 车体附件 BODY ACCESSORIES

Item No.	Parts Number	Parts Name(EN)	Qty	Specification
01	7000-2605A0	WINDSHIELD KITS	1	
01	7000-2605B0	WINDSHIELD KITS	1	
02	7000-260502	RUBBER DAMPER	1	
03	7030-260520	WINDSHIELD LATCH	4	
04	7030-260503	RUBBER STRIP	2	
05	7000-2604B0	TOP ROOF ASSY	1	
06	30006-060025810	BOLT M6x25	6	M6x25
07	9030-360103	T-TYPE BUSHING	6	
08	9030-360104	RUBBER COLLAR	6	
09	30204-060810	NUT M6	6	M6
10	7000-260401-10000	TOP ROOF	1	

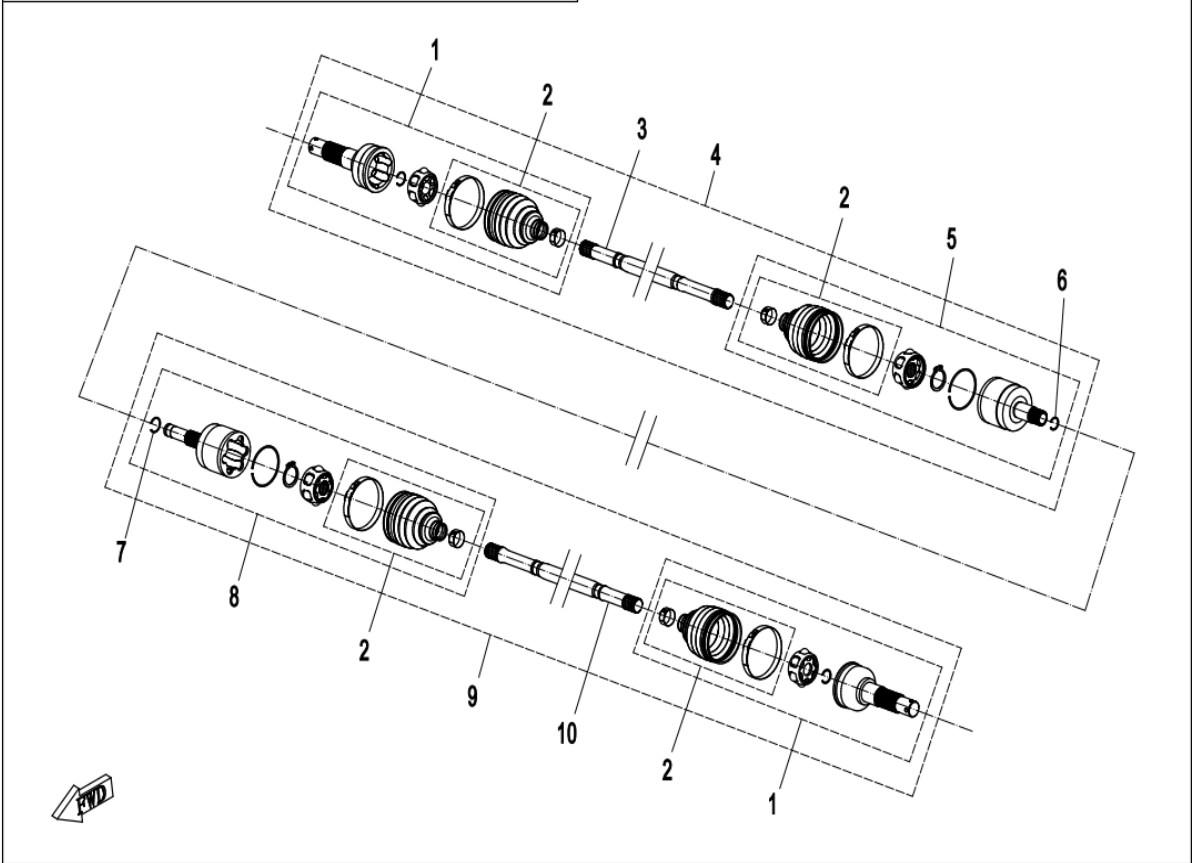
F27-B 前桥等速传动轴总成/Front CV Drive Shaft Assy



F27-B 前桥等速传动轴总成(钱潮) FRONT CV DRIVE SHAFT ASSY(QC)

Item No.	Parts Number	Parts Name(EN)	Qty	Specification
01	7020-280170-30000	JOINT, REAR FIXED END	2	QC
02	7020-280160-30000	DUST BOOT, FIXED END	2	QC
03	7000-270207-30000	INTERMEDIATE SHAFT	1	QC
04	7000-270200-30000	FRONT CV DRIVE SHAFT, RH	1	QC
05	7020-280150-30000	DUST BOOT, MOTION END	2	QC
06	9010-270240-30000	BEARING KIT, FRONT RH MOTION END	1	QC
07	9010-270203-00001	WIRE CIRCLIP	1	
08	9010-270112	WIRE CIRCLIP	1	
09	9010-270140-30000	BEARING KIT, FRONT LH MOTION END	1	QC
10	7000-270100-30000	FRONT CV DRIVE SHAFT, LH	1	QC
11	7000-270107-30000	INTERMEDIATE SHAFT	1	QC

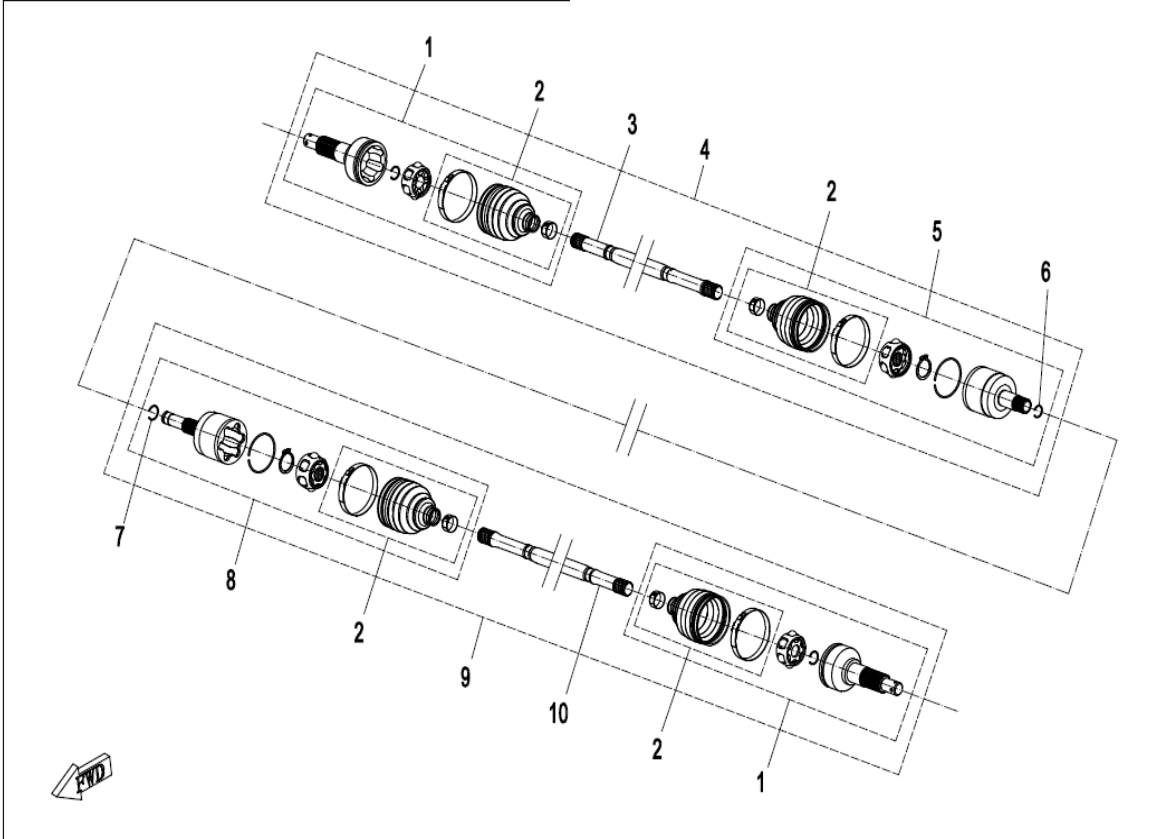
F27-C 前桥等速传动轴总成/Front CV Drive Shaft Assy



F27-C FRONT CV DRIVE SHAFT ASSY(ODN)(2017)

Item No.	Parts Number	Parts Name(EN)	Qty	Specification
01	9GQ0-280170	BEARING KIT, FIXED END	2	
02	9GQ0-280150	DUST BOOT KIT, FIXED END	4	
03	7000-270207-50000	MIDDLE PART, CV DRIVE SHAFT	1	
04	7000-270200-50000	FRONT CV DRIVE SHAFT, RH	1	
05	9010-270240-50000	BEARING KIT, FRONT RH MOTION END	1	ODM
06	9010-270203-00001	WIRE CIRCLIP	1	
07	9010-270112	WIRE CIRCLIP	1	
08	9010-270140-50000	BEARING KIT, FRONT LH MOTION END	1	ODM
09	7000-270100-50000	FRONT CV DRIVE SHAFT, LH	1	
10	7000-270107-50000	MIDDLE PART, CV DRIVE SHAFT	1	

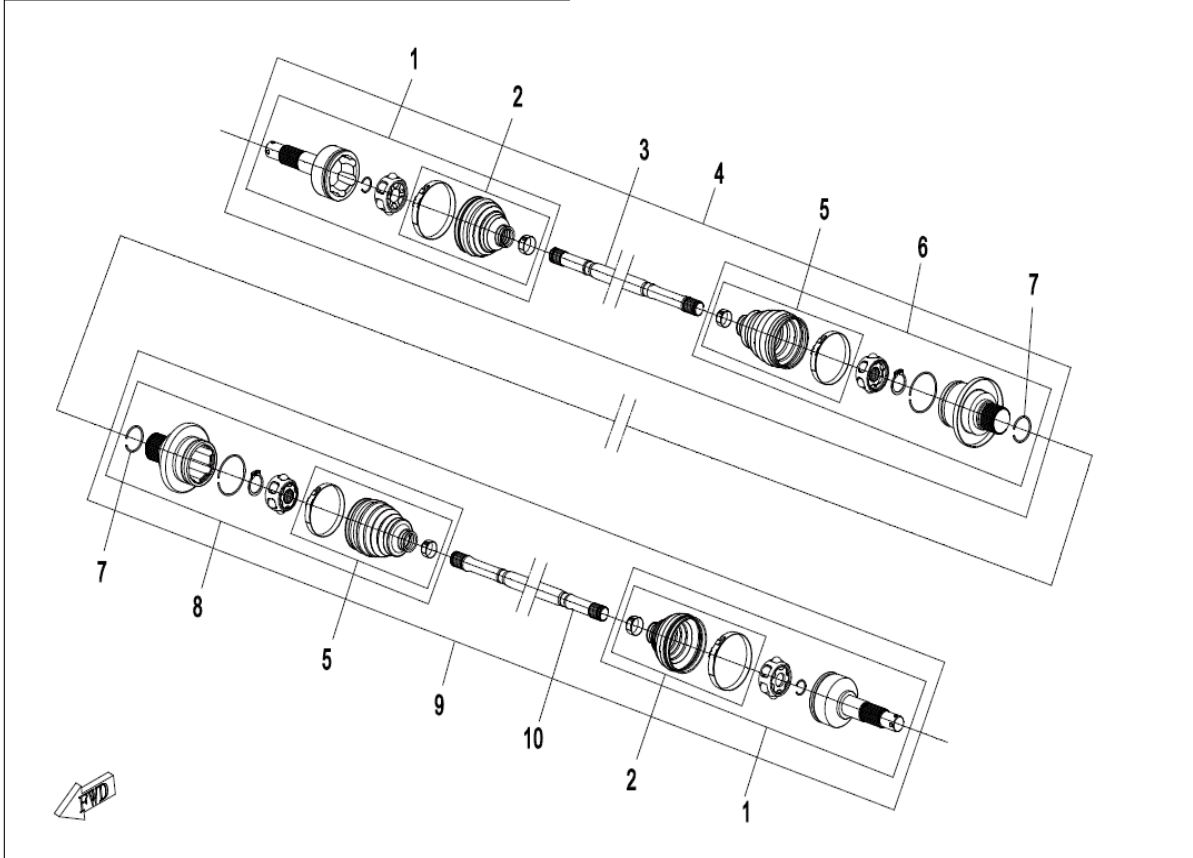
F27-D 前桥等速传动轴总成/Front CV Drive Shaft Assy



F27-D FRONT CV DRIVE SHAFT(ODM)(2018)

Item No.	Parts Number	Parts Name(EN)	Qty	Specification
01	9CRB-2701A0	JOINT, FRONT FIXED END	2	
02	9GQ0-280150	DUST BOOT KIT, FIXED END	4	
03	5BWB-270205	INTERMEDIATE SHAFT	1	
04	5BWB-270200	FRONT CV DRIVE SHAFT, RH	1	
05	9010-270240-50000	BEARING KIT, FRONT RH MOTION END	1	ODM
06	9010-270203-00001	WIRE CIRCLIP	1	
07	9010-270112	WIRE CIRCLIP	1	
08	9010-270140-50000	BEARING KIT, FRONT LH MOTION END	1	ODM
09	5BWB-270100	FRONT CV DRIVE SHAFT,LH	1	
10	5BWB-270105	INTERMEDIATE SHAFT	1	

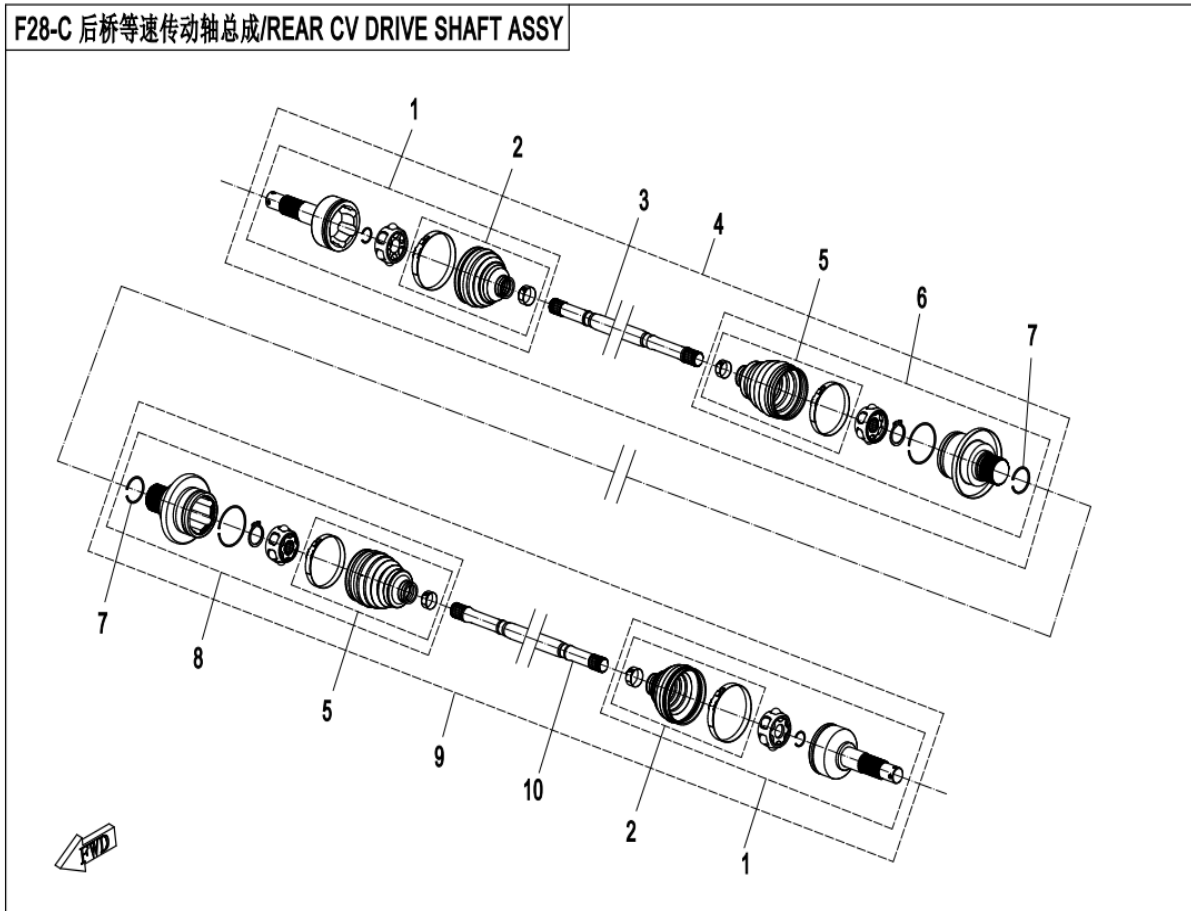
F28-B 后桥等速传动轴总成/REAR CV DRIVE SHAFT ASSY



F28-B REAR CV DRIVE SHAFT ASSY(QC)

Item No.	Parts Number	Parts Name(EN)	Qty	Specification
01	7000-280170-30000	JOINT, FIXED END	2	QC
02	7020-280160-30000	DUST BOOT, FIXED END	2	QC
03	7000-280206-30000	FRONT SHAFT	1	QC
04	7000-280200-30000	REAR CV DRIVE SHAFT, RH	1	QC
05	7020-280150-30000	DUST BOOT, MOTION END	2	QC
06	7020-280140-30000	BEARING KIT, REAR LH MOTION END	1	QC
07	9010-280102-00001	WIRE CIRCLIP	2	
08	7020-280240-30000	BEARING KIT, REAR MOTION END(RH)	1	QC
09	7000-280100-30000	REAR CV DRIVE SHAFT, LH	1	QC
10	7000-280106-30000	FRONT SHAFT	1	QC

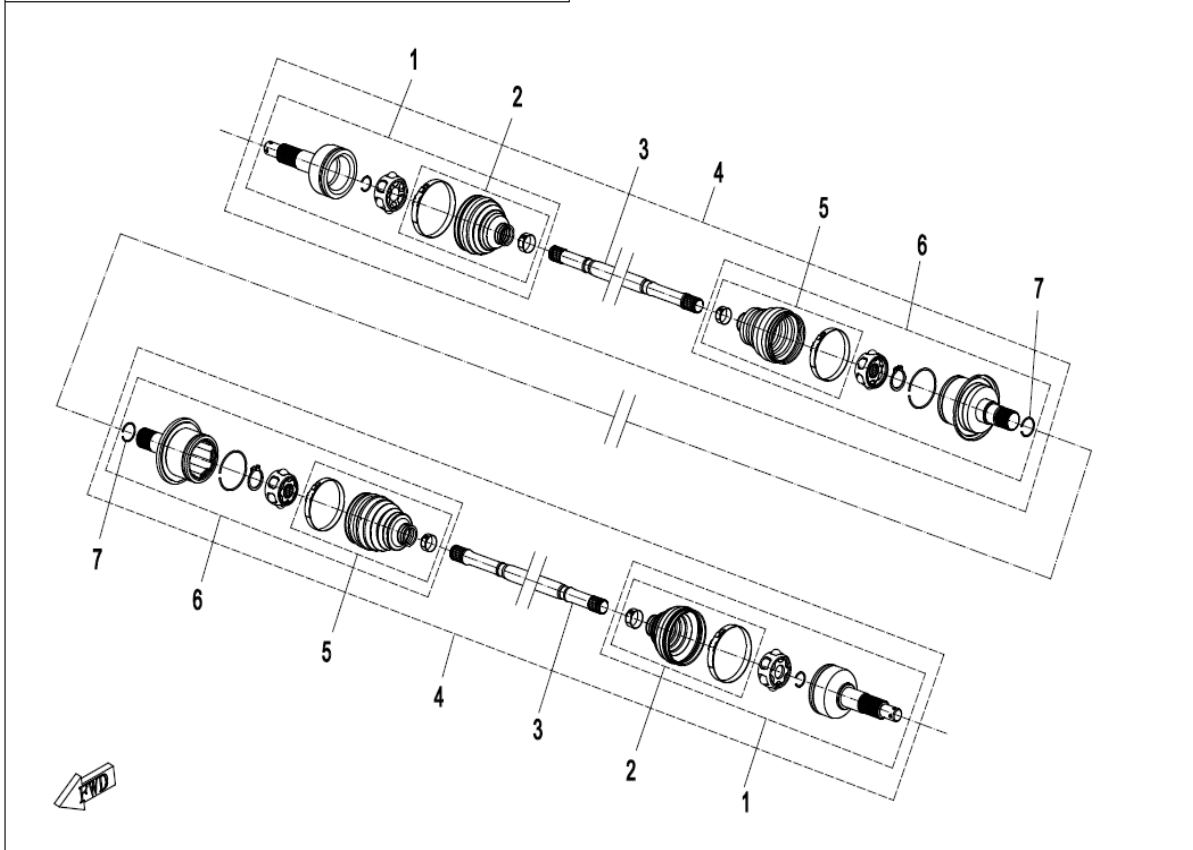
F28-C 后桥等速传动轴总成/REAR CV DRIVE SHAFT ASSY



F28-C REAR CV DRIVE SHAFT ASSY(ODN)(2017)

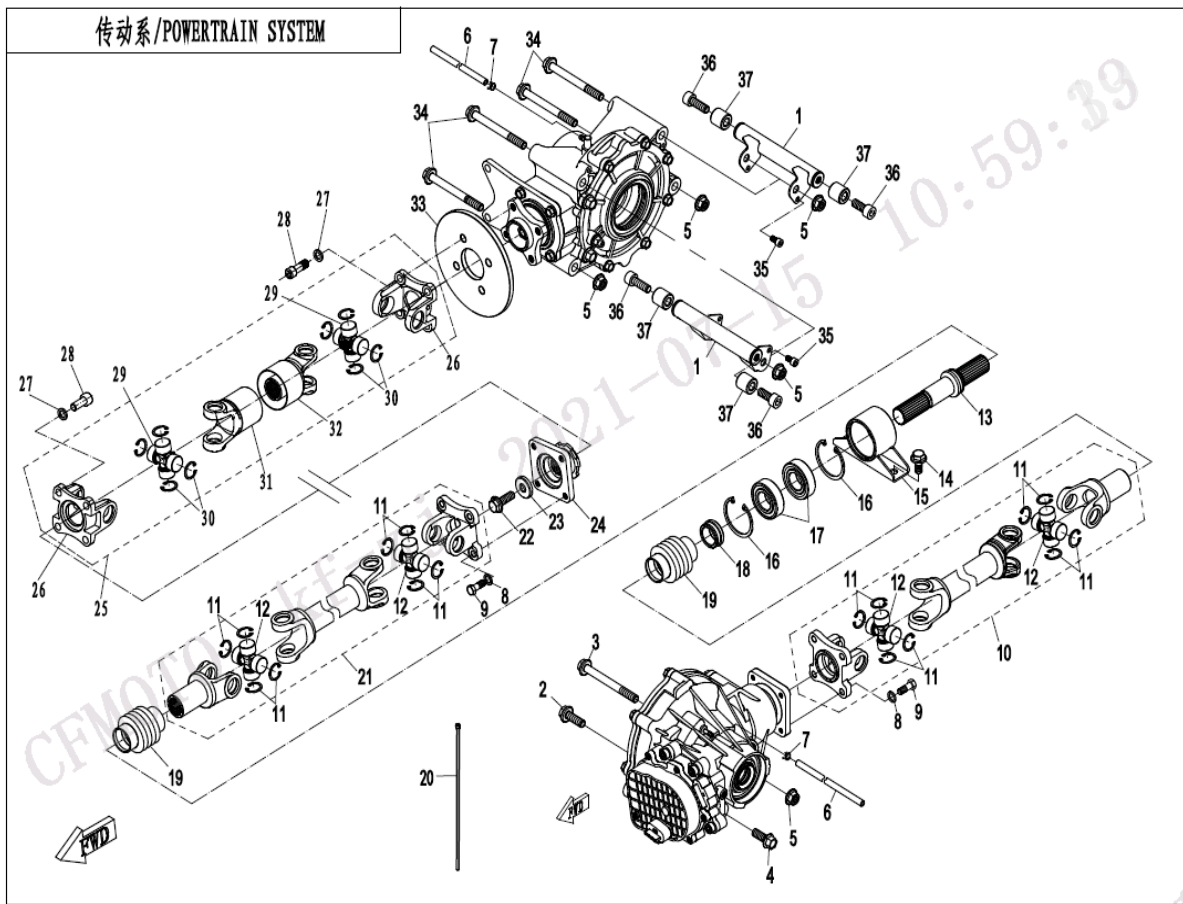
Item No.	Parts Number	Parts Name(EN)	Qty	Specification
01	7000-280170-50000	JOINT, FIXED END	2	ODM
02	7020-280160-50000	DUST BOOT, REAR FIXED END	2	ODM
03	7000-280206-50000	MIDDLE SHAFT	1	ODM
04	7000-280200-50000	REAR CV DRIVE SHAFT, RH	1	ODM
05	7020-280150-50000	DUST BOOT, REAR MOTION END	2	ODM
06	7020-280140-50000	BEARING KIT, REAR LH MOTION END	1	ODM
07	9010-280102-00001	WIRE CIRCLIP	2	
08	7020-280240-50000	BEARING KIT, REAR MOTION END(RH)	1	ODM
09	7000-280100-50000	REAR CV DRIVE SHAFT, LH	1	ODM
10	7000-280106-50000	MIDDLE SHAFT	1	ODM

F28-D 后桥等速传动轴总成/REAR CV DRIVE SHAFT ASSY



F28-D REAR CV DRIVE SHAFT(ODM)(2018)

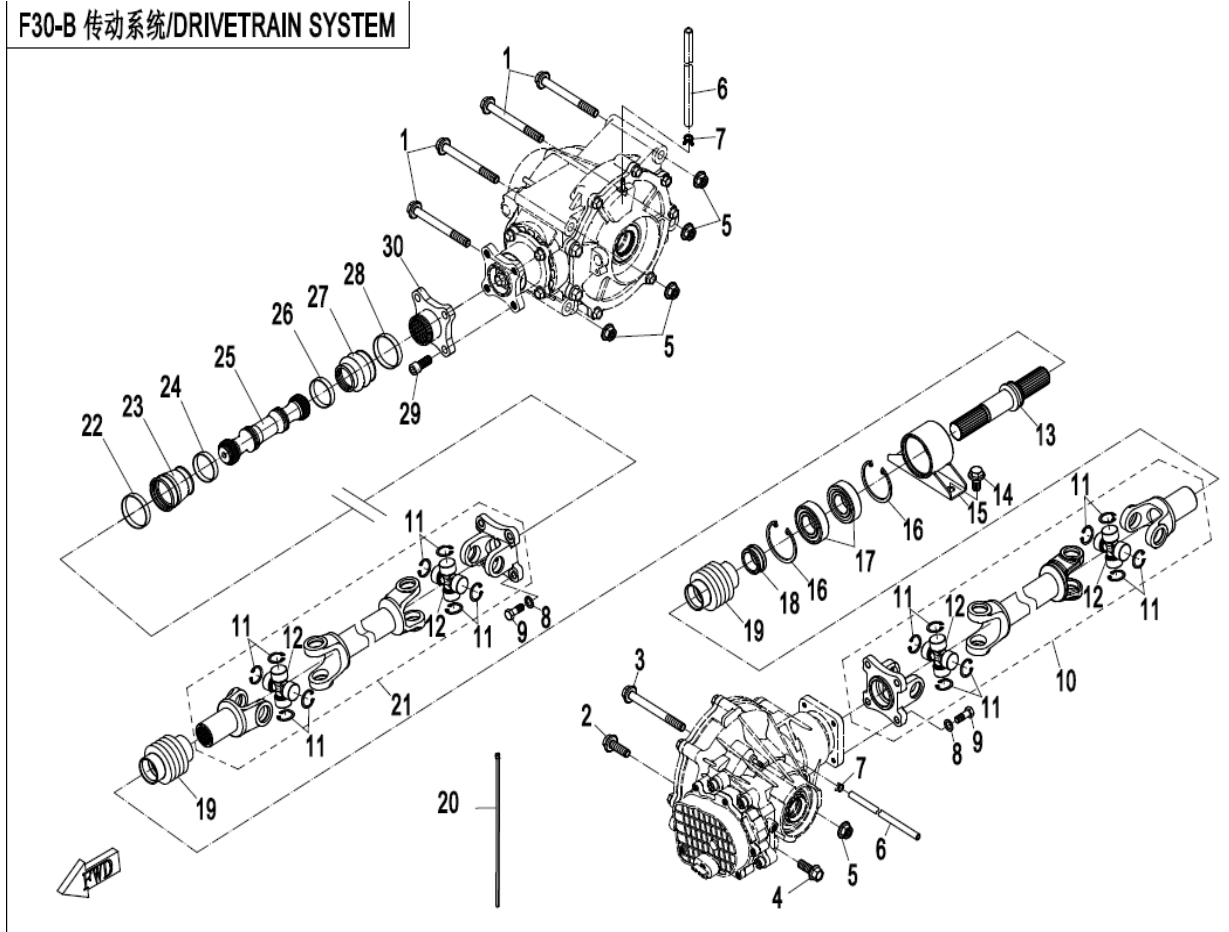
Item No.	Parts Number	Parts Name(EN)	Qty	Specification
01	5BWB-2803A0	JOINT, REAR FIXED END	2	
02	7020-280160-50000	DUST BOOT, REAR FIXED END	2	ODM
03	5BWB-280306	INTERMEDIATE SHAFT	2	
04	5BWB-280300	REAR CV DRIVE SHAFT	2	
05	5BWB-2803C0	SERVICE KIT, DUST BOOT,REAR MOTION END	2	
06	5BWB-2803B0	BEARING KIT,REAR MOTION END	2	
07	5BWB-280302	CIRCLIP	2	



F30-A 传动系统(2017) POWERTRAIN SYSTEM(2017)

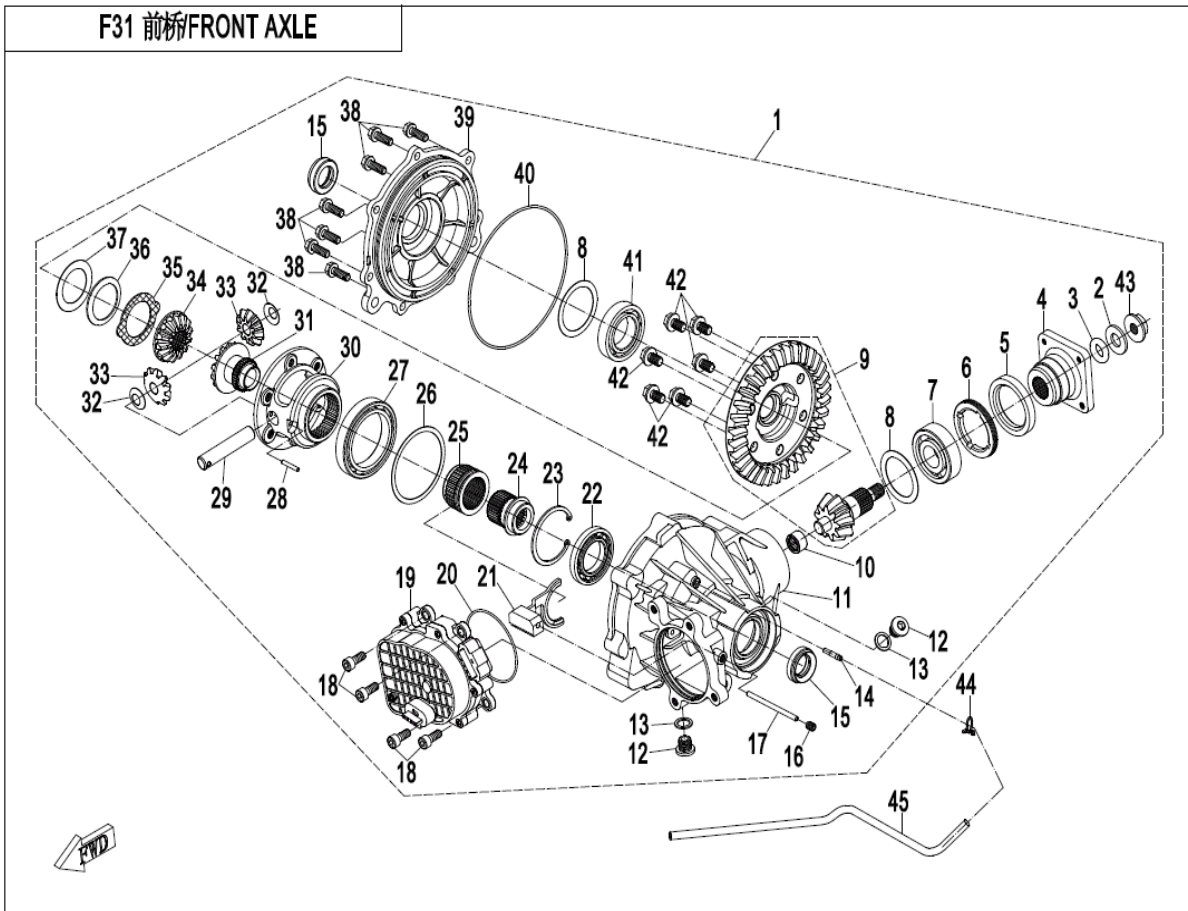
Item No.	Parts Number	Parts Name(EN)	Qty	Specification
01	7000-030010	MOUNT FRAME, REAL GEAR CASE	2	
02	30006-102035810	BOLT M10x1.25x35	1	M10x1.25x35
03	30006-102130810	BOLT M10x1.25x130	1	M10x1.25x130
04	30006-102025810	BOLT M10x1.25x25	1	M10x1.25x25
05	30204-102110	NUT M10x1.25	3	M10x1.25
06	9010-310001	BREATHER HOSE, FRONT GEAR CASE	2	
07	30601-108010	CLAMP A8	2	A8
08	30306-080112	WASHER	8	8
09	9010-290001	BOLT M8x1x22	8	M8x1x22
10	7000-290100	FRONT DRIVE SHAFT SUB ASSY1	1	
11	30800-02205	CIRCLIP FOR HOLE	16	22
12	7020-300120	UNIVERSAL JOINT Dia 22x50	4	Dia22x50
13	7000-290301	DOUBLE HEADED SPLINE SHAFT	1	
14	30006-102016810	BOLT M10x1.25x16	2	M10x1.25x16
15	7000-290310	BEARING SEAT	1	
16	30800-05205	CIRCLIP FOR HOLE 52	2	52
17	30400-02503	BEARING	2	6205-2RS
18	7000-290302	PRESS COLLAR	1	
19	7000-290001	DUST BOOT	2	
20	0000-000031	TIE BAND	4	4x150 WHITE
21	7000-290200	FRONT DRIVE SHAFT SUB ASSY 2	1	
22	30006-103030840	BOLT M10x30	1	M10x30
23	7020-290002	GASKET	1	10.2*30*5
24	7020-300010	COUPLER, COUNTER	1	
25	5BRO-300100-00001	REAR DRIVE SHAFT	1	
26	7020-300201	REAR JOINT FLANGE	2	
27	9010-300002	WASHER Dia 10	8	Dia 10
28	30102-102020810	SCREW M10x1.25x20	8	M10x1.25x20
29	7020-290130-10000	UNIVERSAL JOINT Dia 25x64	2	Dia 25x64
30	30800-02505	CIRCLIP FOR HOLE A-D25	8	25
31	7030-300110	INNER JOINT, REAR DRIVE SHAFT	1	
32	7030-300120	OUTER JOINT, REAR DRIVE SHAFT	1	
33	7000-082001	REAR BRAKE DISC	1	
34	30006-102120810	BOLT M10x1.25x120	4	M10x1.25x120
35	30102-060012810	SCREW	2	
36	30102-102035810	SCREW M10x1.25x35	4	M10x1.25x35
37	7000-031803	MOUNTING BUSHING, REAL GEAR CASE	4	

F30-B 传动系统/DRIVETRAIN SYSTEM



F30-B 传动系统(2018) DRIVETRAIN SYSTEM(2018)

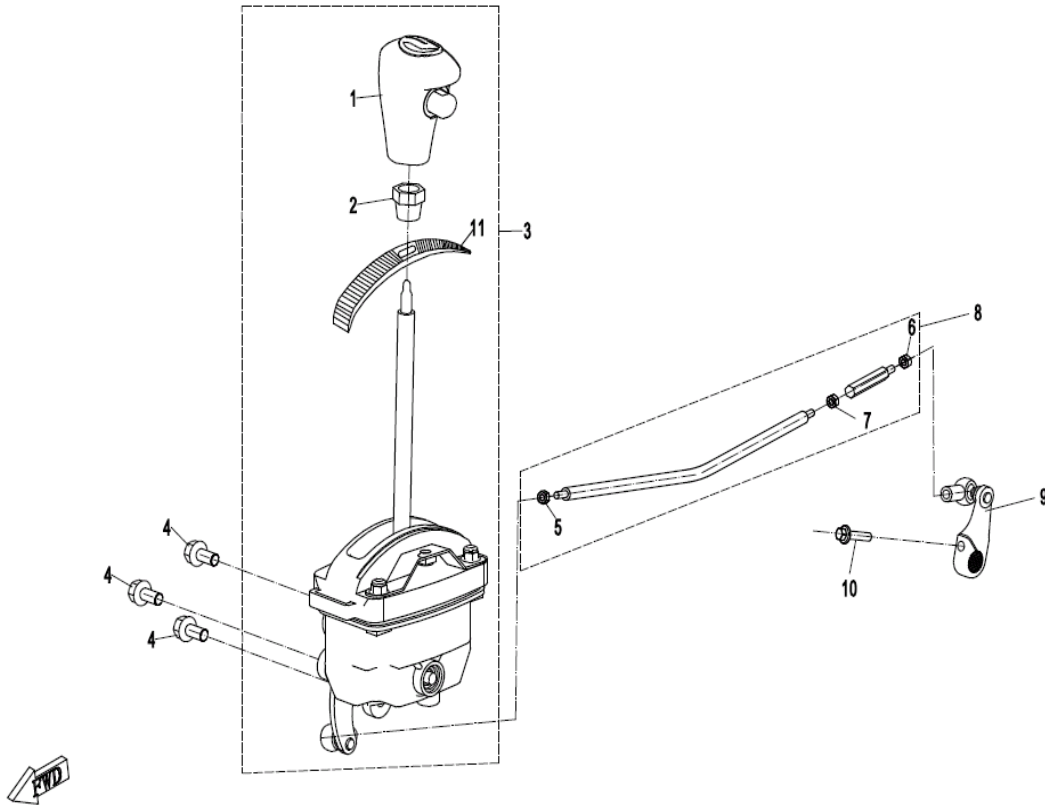
Item No.	Parts Number	Parts Name(EN)	Qty	Specification
01	30006-102120810	BOLT M10x1.25x120	4	M10x1.25x120
02	30006-102035810	BOLT M10x1.25x35	1	M10x1.25x35
03	30006-102130810	BOLT M10x1.25x130	1	M10x1.25x130
04	30006-102025810	BOLT M10x1.25x25	1	M10x1.25x25
05	30204-102810	NUT M10x1.25	5	M10x1.25
06	9010-310001	BREATHER HOSE, FRONT GEAR CAS	2	
07	30601-108010	CLAMP A8	2	A8
08	30306-080112	WASHER	8	8
09	9010-290001	BOLT M8x1x22	8	M8x1x22
10	7000-290100	FRONT DRIVE SHAFT SUB ASSY1	1	
11	30800-02205	CIRCLIP FOR HOLE	16	22
12	7020-300120	UNIVERSAL JOINT Dia 22x50	4	Dia22x50
13	7000-290301	DOUBLE HEADED SPLINE SHAFT	1	
14	30006-102016810	BOLT M10x1.25x16	2	M10x1.25x16
15	7000-290310	BEARING SEAT	1	
16	30800-05205	CIRCLIP FOR HOLE 52	2	52
17	30400-02503	BEARING	2	6205-2RS
18	7000-290302	PRESS COLLAR	1	
19	7000-290001	DUST BOOT	2	
20	8010-150003	TIE BAND	4	5x250
21	7000-290200	FRONT DRIVE SHAFT SUB ASSY 2	1	
22	9GQ0-290104	BIG CLAMP	1	
23	9GQ0-290103-10000	DUST BOOT	1	
24	9GQ0-290102	SMALL CLAMP	1	
25	5BRA-300101	REAR CORE SHAFT	1	
26	9CR6-300204	SMALL CLAMP	1	
27	9CR6-300203-10000	DUST BOOT	1	
28	9CR6-300202	BIG CLAMP	1	
29	30102-102025810	SCREW M10x1.25x25	4	M10x1.25x25
30	9CR6-300206-10000	DRIVE SLEEVE, REAR GEAR CASE	1	



F31-V2 前桥 FRONT AXLE

Item No.	Parts Number	Parts Name(EN)	Qty	Specification
01	Q810-310000-00002	FRONT GEAR CASE ASSY	1	
01	Q810-310000-20002	FRONT AXLE	1	MOTOR WITH SUMITOMO PLUG
02	0180-312005-0050	GASKET, FRONT GEAR CASE NUT	1	
03	0180-312006	O-SEAL RING 14x6.8	1	14x6.8
04	0181-312007-0050	COUPLER, FRONT GEAR CASE	1	
05	0180-312002	OIL SEAL 48x65x9	1	48x65x9
06	Q810-311003	BEARING RETAINER	1	
07	30400-02502	BEARING	1	CHINA
08	0180-310006-0002	ADJUSTING WASHER	1	ADJUSTING WASHER 61x53x0.3
08	0180-310006-0001	ADJUSTING WASHER	1	ADJUSTING WASHER 61x53x0.2
08	0180-310006	ADJUSTING WASHER	1	ADJUSTING WASHER 61x53x0.1
08	0180-310006-0005	ADJUSTING WASHER	1	ADJUSTING WASHER 61x53x1.0
08	0180-310006-0004	ADJUSTING WASHER	1	ADJUSTING WASHER 61x53x0.5
08	0180-310006-0003	ADJUSTING WASHER	1	ADJUSTING WASHER 61x53x0.4
09	Q810-310010-00002	BEVEL GEAR ASSY., FRONT GEAR CASE	1	
10	30499-01502	BEARING	1	F1512
11	Q810-311001-00002	FRONT GEAR CASE	1	
12	0180-021008-0010	BOLT M14x1.25x12	2	M14x1.25x12
12	0180-332100	OIL DRAIN BOLT M14x1.25x12, MAGNETIC	2	M14x1.25x12
13	0180-011006	GASKET 14	2	14
14	0180-311004-0020	JOINT, BREATHER HOSE	1	
15	0180-311001	OIL SEAL 24x38x8	2	24x38x8
16	30130-080010810	SCREW M8x10	1	M8x10
17	0180-310002	PIN SHAFT	1	
18	30102-080020820	INNER HEX SCREW M8x20	4	M8x20
19	Q800-314000	MOTOR ASSY, FRONT GEAR CASE	1	SUMITOMO PLUG
19	0181-314000	MOTOR ASSY, FRONT GEAR CASE	1	ORDINARY
20	0180-310001	O-SEAL RING 81.2x1.9	1	81.2x1.9
21	0180-315000	RACK ASSY	1	
22	30400-03501	BEARING	1	16007
23	30800-06200	CIRCLIP FOR HOLE 62	1	62
24	0180-311003-0050	DRIVE CLUTCH COVER	1	
25	0180-310003-0050	SPLINE BUSHING	1	
26	0180-310004	ADJUSTING WASHER	1	ADJUSTING WASHER 83x71x0.1
26	0180-310004-0003	ADJUSTING WASHER	1	ADJUSTING WASHER 83x71x0.4
26	0180-310004-0001	ADJUSTING WASHER	1	ADJUSTING WASHER 83x71x0.2
26	0180-310004-0002	ADJUSTING WASHER	1	ADJUSTING WASHER 83x71x0.3
26	0180-310004-0005	ADJUSTING WASHER	1	ADJUSTING WASHER 83x71x1.0
26	0180-310004-0004	ADJUSTING WASHER	1	ADJUSTING WASHER 83x71x0.5
27	30499-06000	BEARING	1	61912
28	30906-0503000	PIN	1	5x30
29	0180-313002-10000	CENTER GEAR SHAFT, DIFFERENTIAL	1	
30	Q810-313002-10000	FRONT DIFFERENTIAL CASE	1	
31	0180-313001-00001	DRIVE GEAR, DIFFERENTIAL	1	
32	0181-313011	WEARING RING	2	
33	0180-313003-00004	CENTRAL GEAR, DIFFERENTIAL	2	SURFACE PEENING TREATMENT, THE INNER HOLE TOLERANCE INCREASING
34	0180-313006-00001	DRIVEN GEAR, DIFFERENTIAL	1	
35	0180-313009-0010	GASKET	1	
36	0180-313005-10000	PLAIN WASHER	1	
37	0180-313010-0004	ADJUST GASKET	1	ADJUST GASKET 57x40x0.5
37	0180-313010-0003	ADJUST GASKET	1	ADJUST GASKET 57x40x0.4
37	0180-313010-0005	ADJUST GASKET	1	ADJUST GASKET 57x40x1.0
37	0180-313010-0001	ADJUST GASKET	1	ADJUST GASKET 57x40x0.2
37	0180-313010	ADJUST GASKET	1	ADJUSTING WASHER 57x40x0.1
37	0180-313010-0002	ADJUST GASKET	1	ADJUST GASKET 57x40x0.3
38	0180-310100-0010	BOLT M8x28	7	M8x28
39	Q810-310001-10002	FRONT GEAR CASE COVER	1	
40	0180-310005	O-SEAL RING 141x2.4	1	141x2.4
41	30400-03502	BEARING	1	6007
42	0180-313100-0010	BOLT M10x1.25x18	6	M10x1.25x18
43	0180-312004-0010	NUT M14x1.5	1	M14x1.5
44	30601-108010	CLAMP A8	1	A8
45	9010-310001	BREATHER HOSE, FRONT GEAR CASE	1	

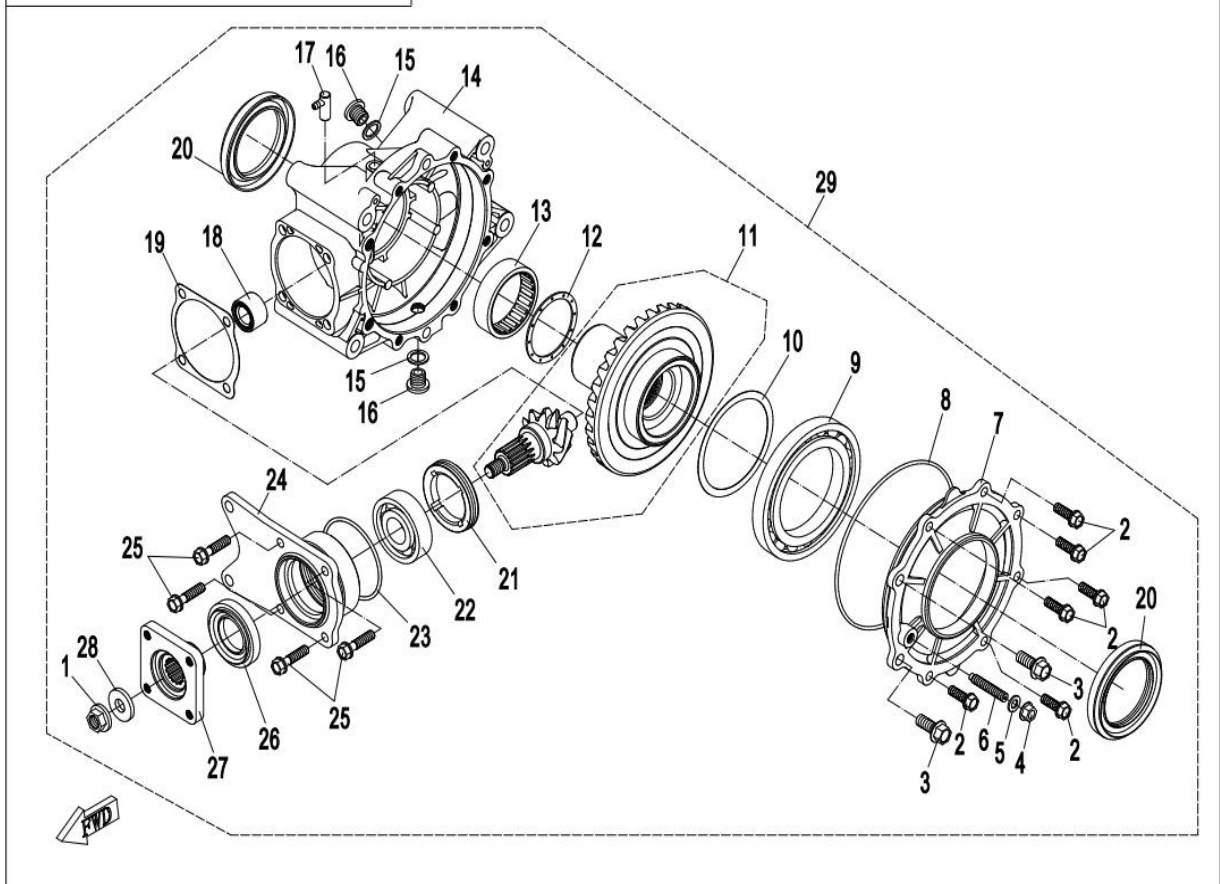
F32 换挡机构 GEAR SHIFTING



F32 换挡机构 GEAR SHIFTING SYSTEM

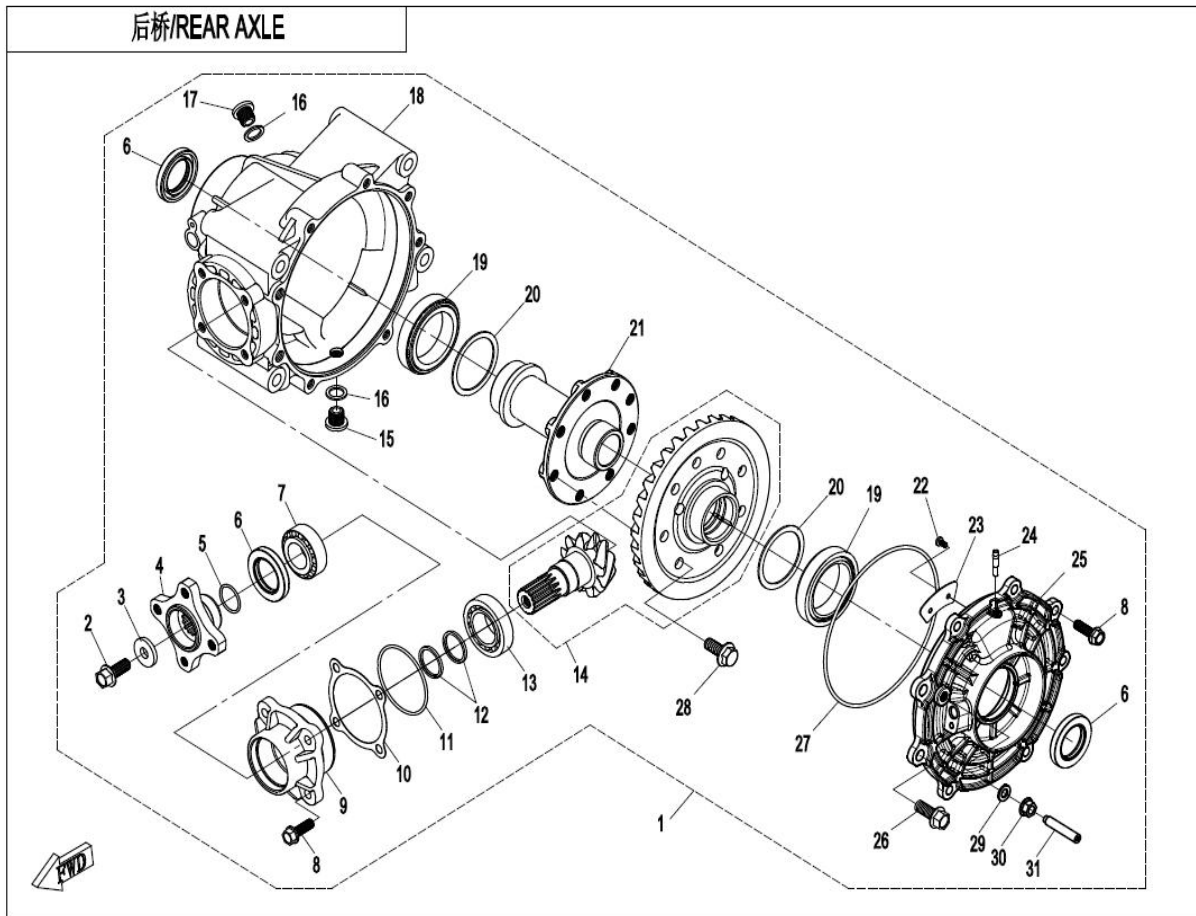
Item No.	Parts Number	Parts Name(EN)	Qty	Specification
01	7030-320140	KNOB, GEARSHIFT ROD	1	
02	9050-320123	NUT	1	
03	5BR0-320100	GEARSHIFT ASSY	1	
04	30006-080016810	BOLT M8x16	3	M8x16
05	30202-060110	NUT M6	1	M6
06	30202-06014L	NUT M6	1	M6
07	30202-080110	NUT M8	1	M8
08	5BR0-320300	GEARSHIFT ROD ASSY	1	
09	9010-320200-2000	ROCKER, GEARSHIFT	1	
10	0010-022020	BOLT M6x22	1	M6x22
11	9050-320103	SLIDING PIECE	1	

F33-A 后桥 REAR AXLE



F33-A 后桥总成(2017) REAR AXLE(2017)

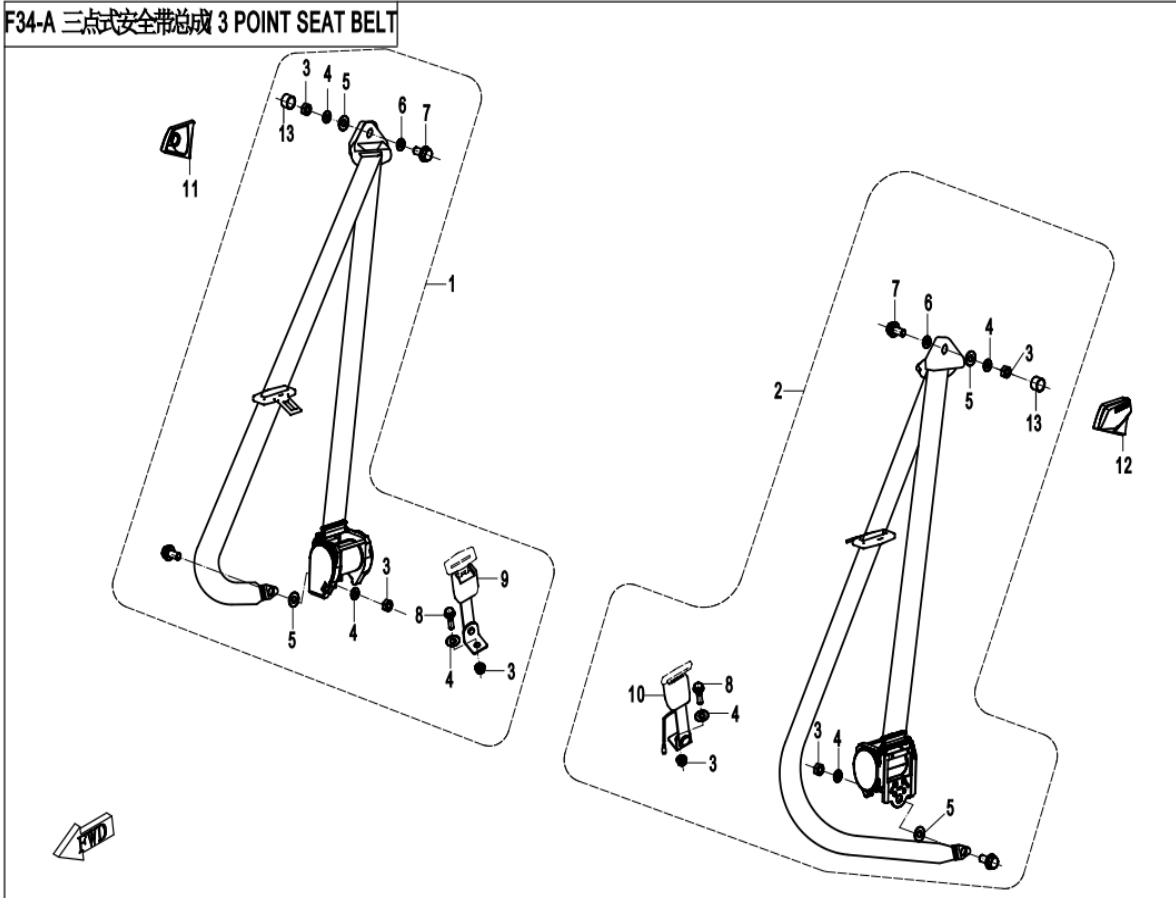
Item No.	Parts Number	Parts Name(EN)	Qty	Specification
01	0180-331009-0020	NUT M12x1.25	1	M12x1.25
02	30008-080025810	BOLT M8x25	6	M8x25
03	0180-330004-0010	BOLT M10x1.25x25	2	M10x1.25x25
04	0180-334006-0010	NUT M8	1	M8
05	0180-334004	GASKET 8.2x15x1.5	1	8.2x15x1.5
06	0180-334005-0010	INNER HEX SCREW M8x45	1	M8x45
07	0180-334001-0080	RH COVER, REAR GEAR CASE CASE	1	
08	0180-334002	O-SEAL RING 151x3	1	151x3
09	30499-08500	BEARING	1	16017
10	0180-330002-0002	ADJUST GASKET 2	1	ADJUSTING WASHER 100x86x0.4
10	0180-330002-0001	ADJUST GASKET 2	1	ADJUSTING WASHER 100x86x0.3
10	0180-330002	ADJUST GASKET 2	1	ADJUSTING WASHER 100x86x0.2
11	Q510-330010-00001	BEVEL GEAR ASSY, REAR GEAR CASE	1	
11	Q510-330010	BEVEL GEAR ASSY REAR ALXE	1	
12	0180-330001-0004	ADJUST GASKET 1	1	ADJUSTING WASHER(1)1.8
12	0180-330001	ADJUST GASKET 1	1	ADJUSTING WASHER(1)1.0
12	0180-330001-0003	ADJUST GASKET 1	1	ADJUSTING WASHER(1)1.6
12	0180-330001-0001	ADJUST GASKET 1	1	ADJUSTING WASHER(1)1.2
12	0180-330001-0002	ADJUST GASKET 1	1	ADJUSTING WASHER(1)1.4
13	30404-05500	NEEDLE BEARING	1	55BTM6720A
14	Q530-332001	REAR GEAR CASE	1	
15	0180-011006	GASKET 14	2	14
16	0180-021008-0010	BOLT M14x1.25x12	2	M14x1.25x12
17	0180-332006	PIPE JOINT	1	
18	30403-01700	NEEDLE BEARING	1	NA5903(17x30x18)
19	0180-330003-0001	ADJUST GASKET	1	ADJUST GASKET 0.6
19	0180-330003-0002	ADJUST GASKET	1	ADJUST GASKET 0.4
19	0180-330003	ADJUST GASKET	1	ADJUST GASKET 0.5
20	0180-334003	OIL SEAL SD465x90x9NS	1	SD465x90x9NS
21	Q510-331003	BEARING RETAINER	1	
22	30499-02501	BEARING	1	25
23	0180-331004	O-SEAL RING 64.5x3	1	64.5x3
24	Q530-331001	BEVEL GEAR BEARING HOUSING	1	
25	30008-080035810	BOLT SET M8x35	4	M8x35
26	0180-331007	OIL SEAL 35x61x9(14)	1	35x61x9(14)
27	Q530-331004	COUPLER, REAR GEAR CASE	1	
28	0180-331008-0050	GASKET 12.5x30x4	1	12.5x30x4
29	Q530-330000-00001	REAR GEAR CASE ASSY	1	
29	Q530-330000	REAR GEAR CASE ASSY	1	



F33-B-V3 后桥(无差速器) REAR AXLE(NO DIFFERENTIAL)

Item No.	Parts Number	Parts Name(EN)	Qty	Specification
01	Q860-330000-40002	REAR GEAR CASE ASSY	1	
02	0GR0-062203	BOLT M10x1.25x20	1	M10x1.25x20
03	0GR0-062204	WASHER 10x27.5x4	1	10x27.5x4
04	Q850-331002	COUPLER	1	
05	0800-062205	O-SEAL RING 25x2	1	25x2
06	0800-062204	OIL SEAL 35x50x7	3	35x50x7
07	30409-02500	BEARING	1	33005(25x47x17)
08	0110-060011-0010	BOLT M8x28	10	M8x28
09	Q830-311002-00001	BEARING SEAT	1	
10	Q830-310023-00200	ADJUSTING WASHER T=0.30	1	T=0.30
10	Q830-310023-00100	ADJUSTING WASHER T=0.20	1	T=0.20
11	Q830-310006-10000	O-RING 55x2.5	1	55x2.5
12	Q830-311003-01400	ADJUSTING WASHER 32x25.4 T=3.00	2	T=3.00
12	Q830-311003-01300	ADJUSTING WASHER 32x25.4 T=2.90	2	T=2.90
12	Q830-311003-01200	ADJUSTING WASHER 32x25.4 T=2.80	2	T=2.80
12	Q830-311003-01100	ADJUSTING WASHER 32x25.4 T=2.70	2	T=2.70
12	Q830-311003-01000	ADJUSTING WASHER 32x25.4 T=2.60	2	T=2.60
12	Q830-311003-00900	ADJUSTING WASHER 32x25.4 T=2.50	2	T=2.50
12	Q830-311003-00800	ADJUSTING WASHER 32x25.4 T=2.48	2	T=2.48
12	Q830-311003-00700	ADJUSTING WASHER 32x25.4 T=2.46	2	T=2.46
12	Q830-311003-00600	ADJUSTING WASHER 32x25.4 T=2.44	2	T=2.44
12	Q830-311003-00500	ADJUSTING WASHER 32x25.4 T=2.42	2	T=2.42
12	Q830-311003-00400	ADJUSTING WASHER 32x25.4 T=2.40	2	T=2.40
12	Q830-311003-00300	ADJUSTING WASHER 32x25.4 T=2.30	2	T=2.30
12	Q830-311003-00200	ADJUSTING WASHER 32x25.4 T=2.20	2	T=2.20
12	Q830-311003-00100	ADJUSTING WASHER 32x25.4 T=2.10	2	T=2.10
13	30409-03000	BEARING	1	32006(30x55x17)
14	Q860-3300A0-00002	BEVEL GEAR ASSY, REAR GEAR CASE	1	
15	0180-332100	OIL DRAIN BOLT M14x1.25x12, MAGNETIC	1	M14x1.25x12
16	0180-011006	GASKET 14	2	14
17	0180-021008-0010	BOLT M14x1.25x12	1	M14x1.25x12
18	Q860-330001-00002	REAR GEAR CASE	1	
19	30409-05000	BEARING	2	
20	Q820-330003-00900	ADJUSTING WASHER 61x50.5 T=1.00	4	T=1.00
20	Q820-330003-00800	ADJUSTING WASHER 61x50.5 T=0.98	4	T=0.98
20	Q820-330003-00700	ADJUSTING WASHER 61x50.5 T=0.96	4	T=0.96
20	Q820-330003-00600	ADJUSTING WASHER 61x50.5 T=0.94	4	T=0.94
20	Q820-330003-00500	ADJUSTING WASHER 61x50.5 T=0.92	4	T=0.92
20	Q820-330003-00400	ADJUSTING WASHER 61x50.5 T=0.90	4	T=0.90
20	Q820-330003-00300	ADJUSTING WASHER 61x50.5 T=0.50	4	T=0.50
20	Q820-330003-00200	ADJUSTING WASHER 61x50.5 T=0.30	4	T=0.30
20	Q820-330003-00100	ADJUSTING WASHER 61x50.5 T=0.10	4	T=0.10
21	Q850-330003-00001	MOUNTING BASE	1	
22	30105-040008410	SCREW M4x8	2	M4x8
23	Q830-310022	OIL GUARD	1	
24	0180-311004-0020	JOINT, BREATHER HOSE	1	
25	Q860-330002-00003	REAR GEAR CASE COVER	1	
26	0180-330004-0010	BOLT M10x1.25x25	2	M10x1.25x25
27	0180-334002	O-SEAL RING 151x3	1	151x3
28	0181-313100-0010	BOLT M10x1.25x22	8	M10x1.25x22
29	0180-334004	GASKET 8.2x15x1.5	1	8.2x15x1.5
30	0180-334006-0010	NUT M8	1	M8
31	0180-334005-0010	INNER HEX SCREW M8x45	1	M8x45

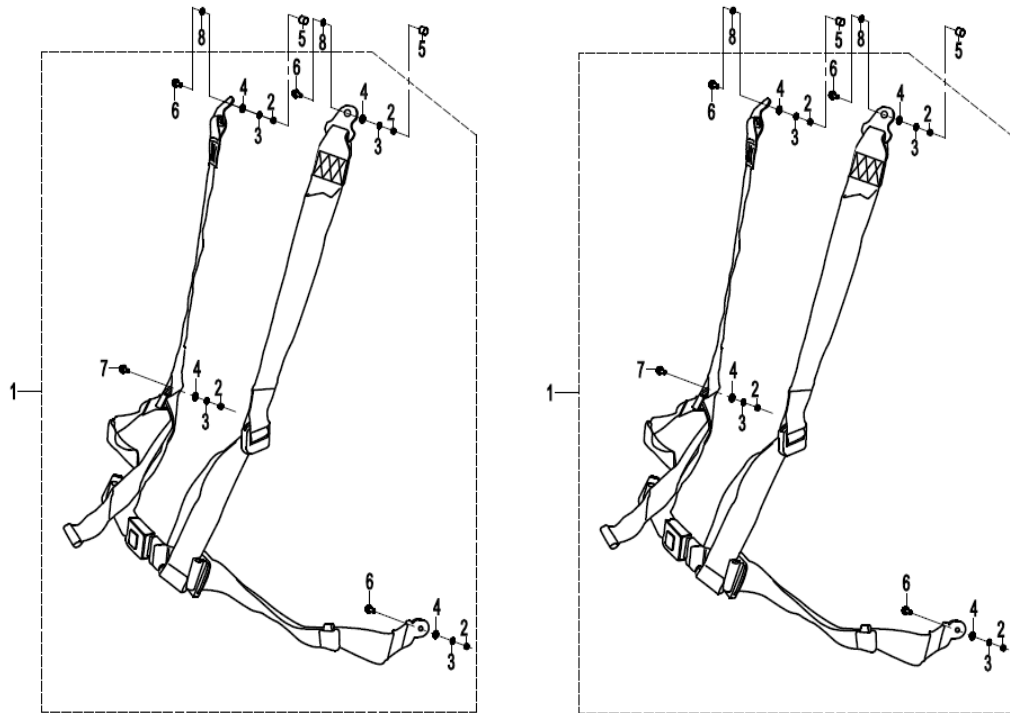
F34-A 三点式安全带总成 3 POINT SEAT BELT



F34-A-V2 三点式安全带 3-POINT SEAT BELT

Item No.	Parts Number	Parts Name(EN)	Qty	Specification
01	9060-341200	SEAT BELT, PASSENGER	1	ZKSAFETY
02	7000-341100	SEAT BELT, DRIVER	1	ZKSAFETY
02	7000-341100-10000	SEAT BELT, DRIVER	1	SUMITOMO PLUG,ZKSAFETY
03	9030-341002	7/16 NUT	6	
04	30302-120110	WASHER	6	12
05	9030-341003	Dia 11.3 DISTANCE RING	4	
06	9030-341004	NYLON GASKET	2	
07	9030-341005	BOLT, GUIDE RING	2	
08	9060-341006	BOLT	2	
09	7000-341020	RH FASTENER ASSY	1	ZKSAFETY
10	7000-341010-20000	LH FASTENER ASSY	1	ZKSAFETY
10	7000-341010-30000	FASTENER ASSY, LH	1	SUMITOMO PLUG,ZKSAFETY
11	7000-044401	DECO COVER, RH SEAT BELT	1	
12	7000-044301	DECO COVER, LH SEAT BELT	1	
13	9030-341007	BOLT, GUIDE RING	2	

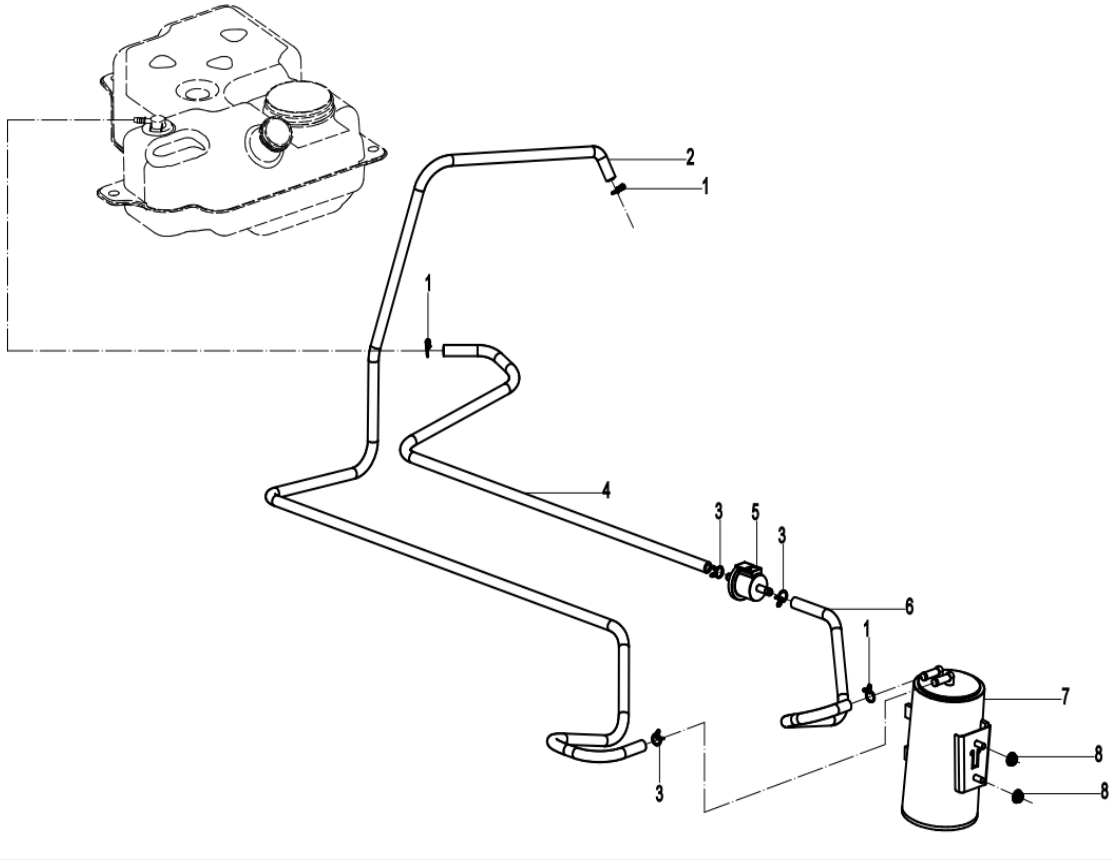
五点式安全带/5-POINT SEAT BELT



F34-B 五点式安全带 5-POINT SEAT BELT

Item No.	Parts Number	Parts Name(EN)	Qty	Specification
01	9060-342000-10000	FIVE-POINT SEAT BELT	2	
02	9030-341002	7/16 NUT	8	
03	30302-120110	WASHER	8	12
04	9030-341003	Dia 11.3 DISTANCE RING	8	
05	9060-340001	GUIDE RING PLUG, SEAT BELT	4	
06	9060-342012	BOLT, GUIDE RING	6	7/16 -20UNF-2A
07	9060-342014	BOLT, GUIDE RING(16)	2	7/16 -20UNF-2A
08	9060-342015	DAMPER MAT	4	

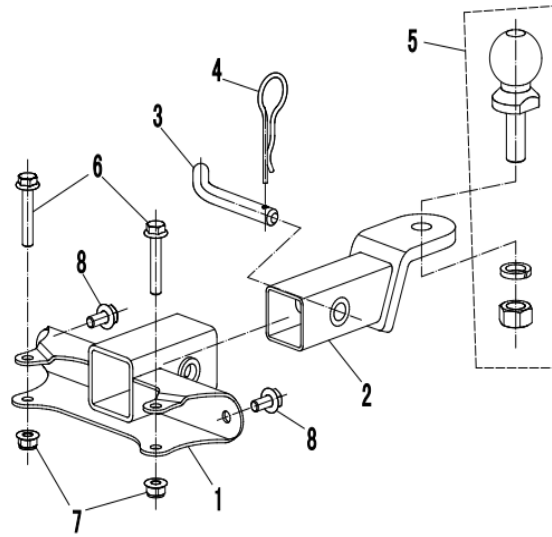
燃油蒸发系统/ FUEL VAPORIZATION SYSTEM



F36-V2 燃油蒸发系统 FUEL EVAPORATION SYSTEM

Item No.	Parts Number	Parts Name(EN)	Qty	Specification
01	30601-112010	CLAMP A12	3	A12
02	7000-360005	FUEL VAPOR HOSE II	1	
03	30601-111010	CLAMP A11	3	A11
04	7000-360003	FUEL VAPOR HOSE I	1	
05	9GQ0-360100	TWO-WAY VALVE	1	
06	7000-360004	FUEL VAPOR HOSE II	1	
07	9AWA-360200	CANISTER	1	
08	30204-060810	NUT M6	2	M6

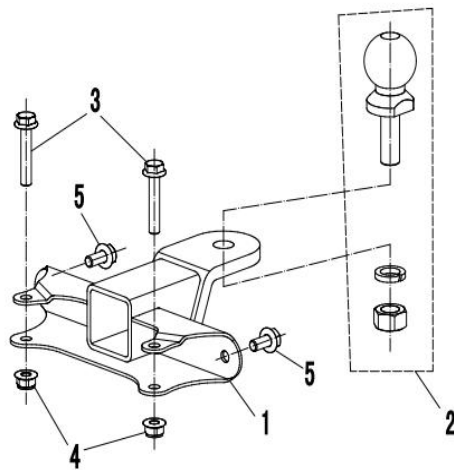
F40-A 拖挂总成/TOWING SYSTEM



F40-A 拖挂总成(分体式) TOWING SYSTEM(SPLIT-TYPE)

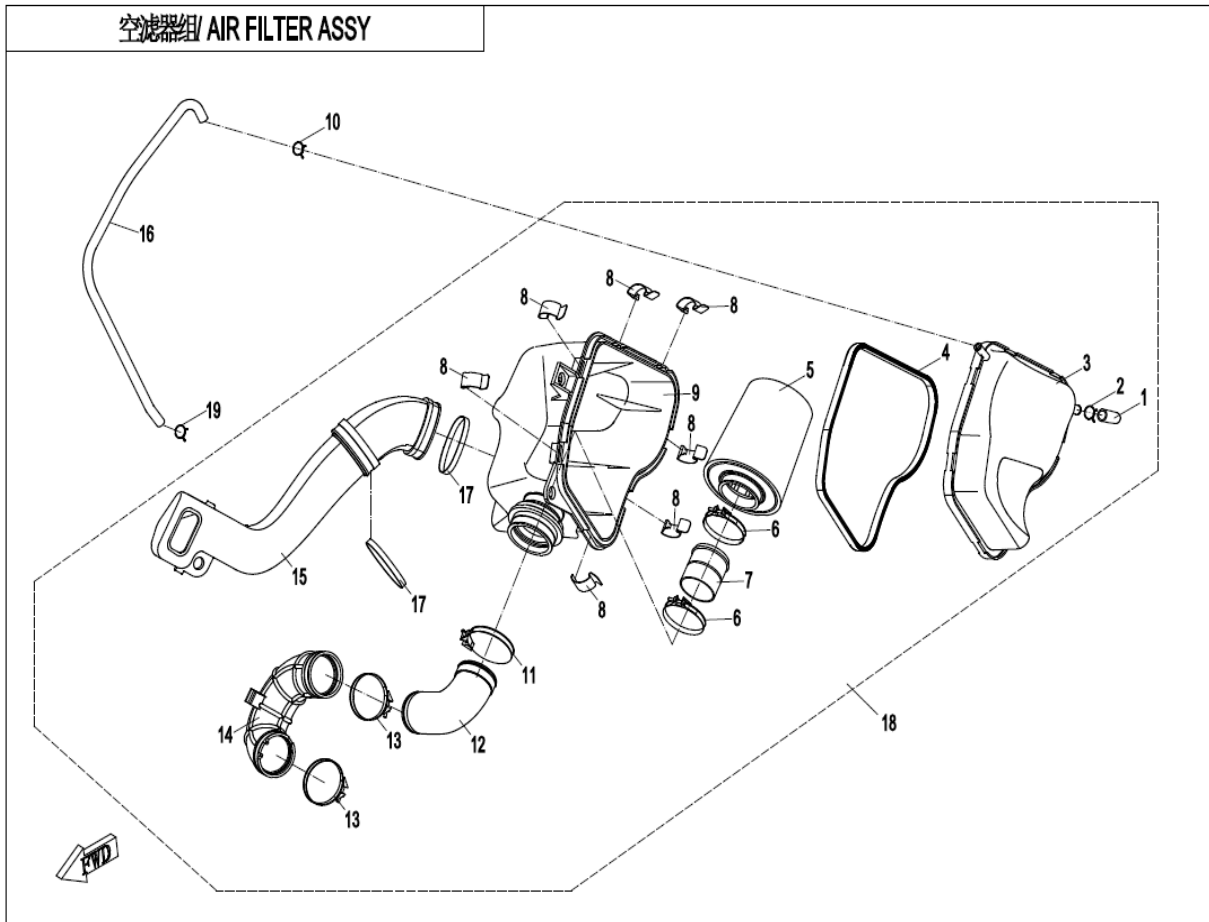
Item No.	Parts Number	Parts Name(EN)	Qty	Specification
01	7000-400110	TOWING BRACKET ASSY	1	WITHOUT TRAILER NOSE
02	7000-400120	TUBE, TRAILER	1	
03	9010-400103	PIN SHAFT	1	
04	9010-400102-10000	COTTER PIN, BRACKET	1	
04	9010-400102	COTTER PIN, BRACKET	1	
05	9010-204000	TOWING HITCHBALL ASSY	1	1and 7/8"
05	9010-205000	TOWING HITCHBALL ASSY	1	2"
05	9010-205000-1000	TOWING HITCHBALL ASSY	1	50mm Certificated ball head
06	30006-080055810	BOLT M8x55	2	M8x55
07	30204-080810	NUT M8	2	M8
08	30006-080020810	BOLT M8x20	2	M8x20

F40-B 拖挂总成/TOWING SYSTEM



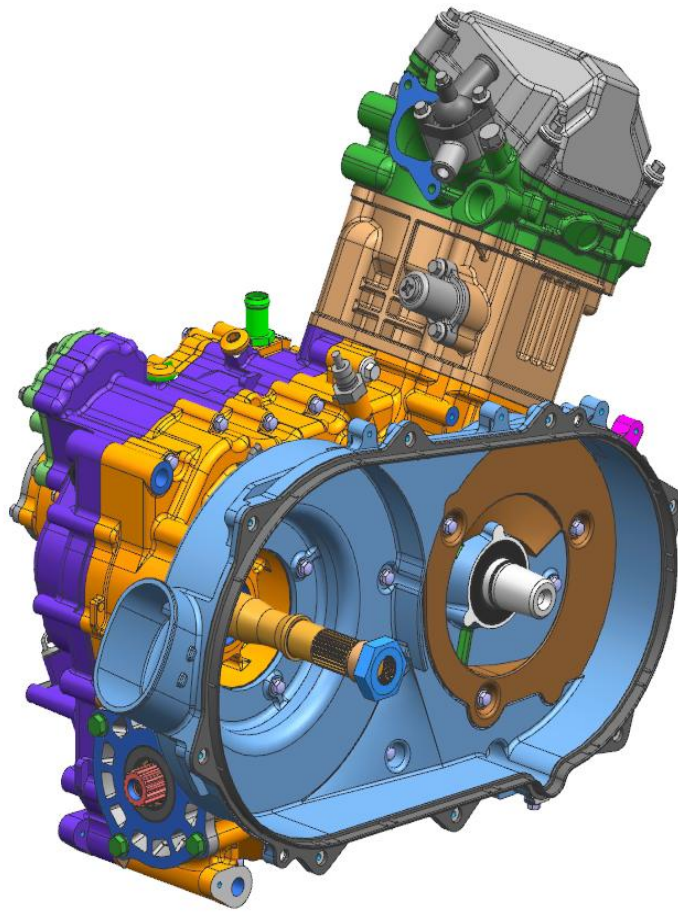
F40-B 拖挂总成(整体式) TOWING SYSTEM(INTEGRATED)

Item No.	Parts Number	Parts Name(EN)	Qty	Specification
01	7000-400200	TOWING ASSY	1	WITH TRAILER NOSE
02	9010-204000	TOWING HITCHBALL ASSY	1	1and 7/8"
02	9010-205000	TOWING HITCHBALL ASSY	1	2"
02	9010-205000-1000	TOWING HITCHBALL ASSY	1	50mm Certificated ball head
03	30006-080055810	BOLT M8x55	2	M8x55
04	30204-080810	NUT M8	2	M8
05	30006-080020810	BOLT M8x20	2	M8x20



F41 空滤器组 AIR FILTER ASSY

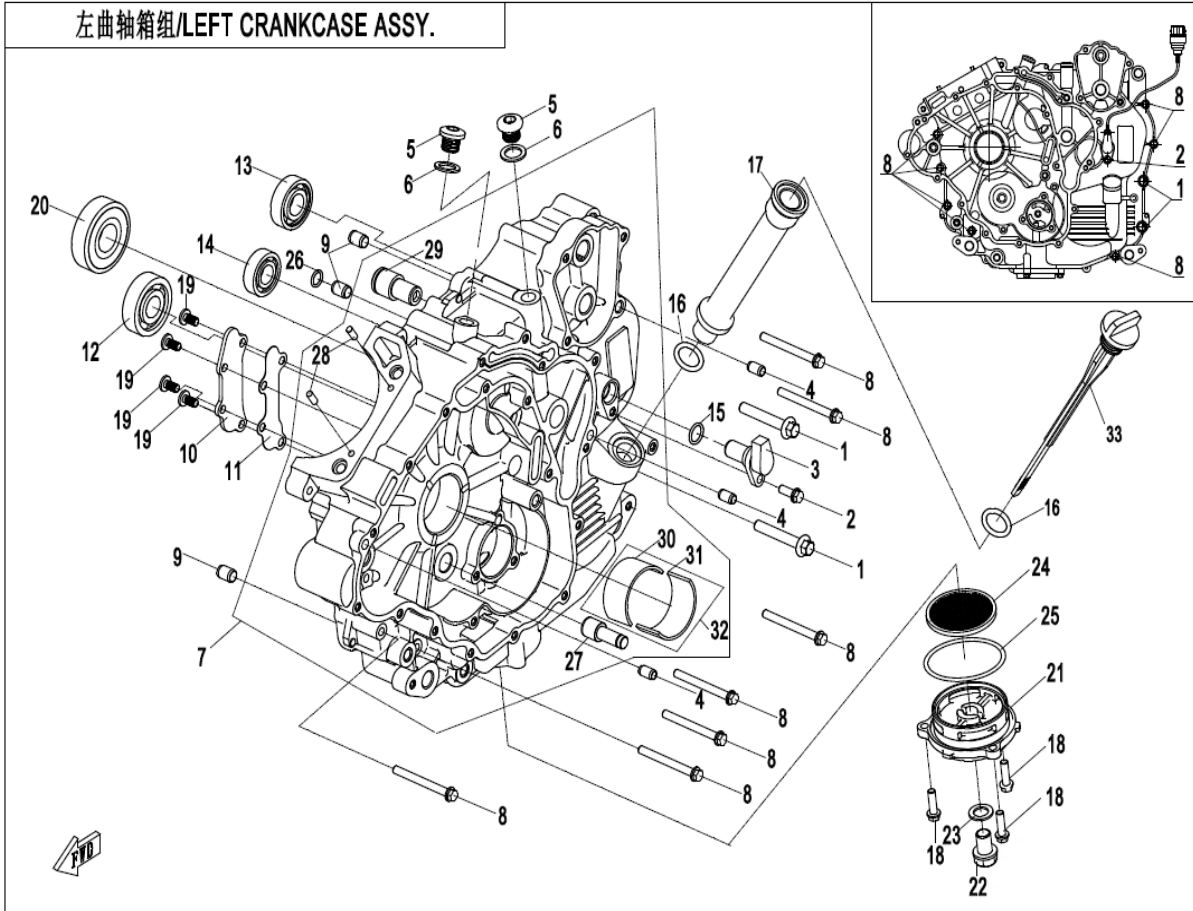
Item No.	Parts Number	Parts Name(EN)	Qty	Specification
01	0180-110005	OIL STORAGE HOSE	1	
02	30601-117020	CLAMP	1	A17
03	0800-110002-2000	COVER, AIR FILTER	1	
04	0800-110004-20001	SEAL RING, AIR FILTER	1	
05	0800-112000-20000	FILTER ELEMENT	1	WITH BLUE SPONGE, MANUFACTURER: ZhongXiang
06	0120-110001	CLAMP 64	2	64
07	0800-110005-1000	CONNECT PIPE, FILER ELEMENT	1	
08	0800-110007	CLASP	7	
09	0800-1110C0-20000	HOUSING, AIR FILTER	1	
10	30601-114010	CLAMP A14	1	A14
11	0800-110008	CLAMP	1	
12	0GRB-111007-10000	ADAPTOR SEAT 2	1	
13	01A0-110003	CLAMP 67	2	
14	0GRB-111006-10000	ADAPTOR SEAT 1	1	
15	0800-1110B0-20000	INLET PIPE, AIR FILTER	1	
16	0GRB-110001-10000	BREATHER HOSE, CRANKCASE	1	
17	0800-110011-1000	CLAMP, AIR INLET PIPE	2	
18	0GRB-111000-10002	AIR FILTER SUB ASSY	1	
18	0GRB-111000-10004	AIR FILTER ASSY	1	
19	30601-113520	CLAMP	1	A13.5



E00 191R发动机 191R ENGINE

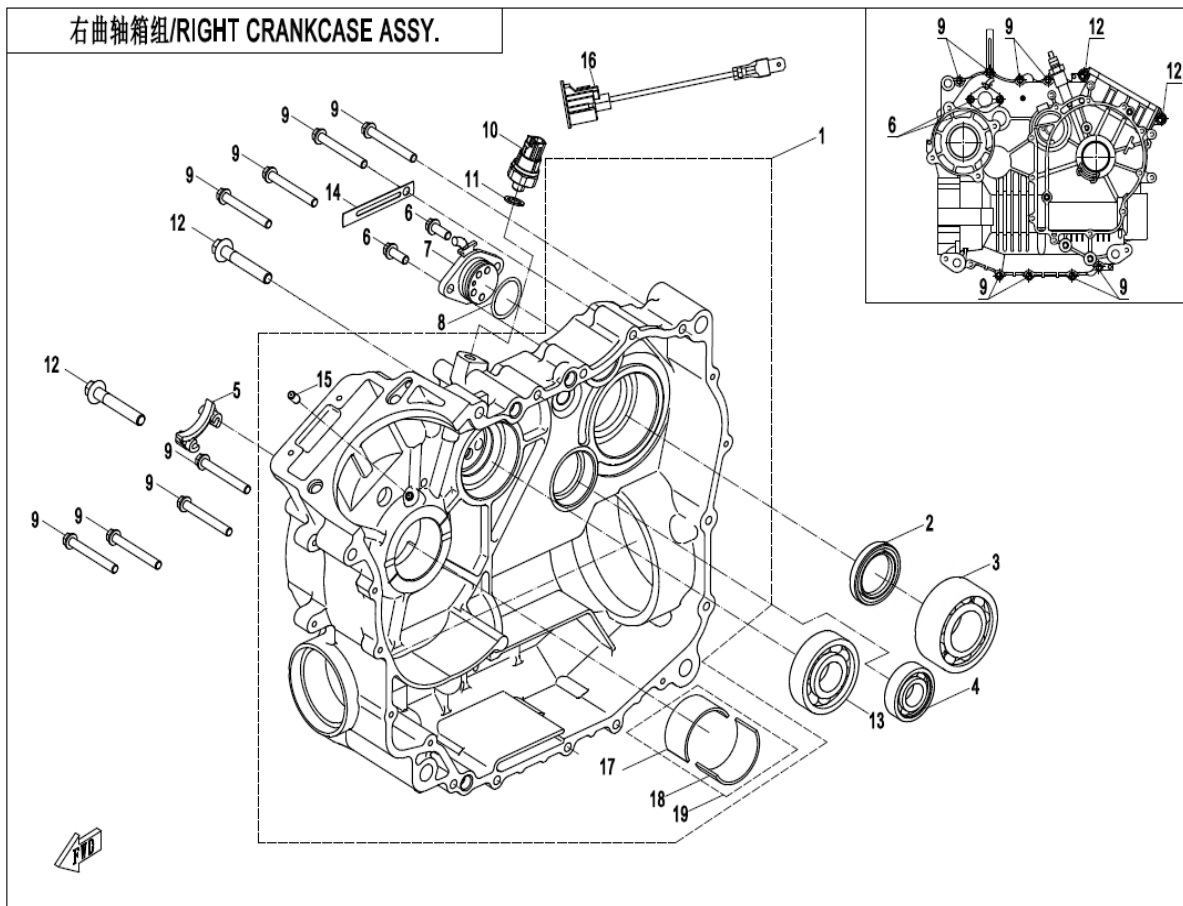
Item No.	Parts Number	Parts Name(EN)	Qty	Specification
01	0GR0-ALB000-0840	191R LONG BLOCK	1	STANDARD PLUG
01	0GR0-BLB000-0840	191R LONG BLOCK	1	SUMITOMO PLUG

左曲轴箱组/LEFT CRANKCASE ASSY.



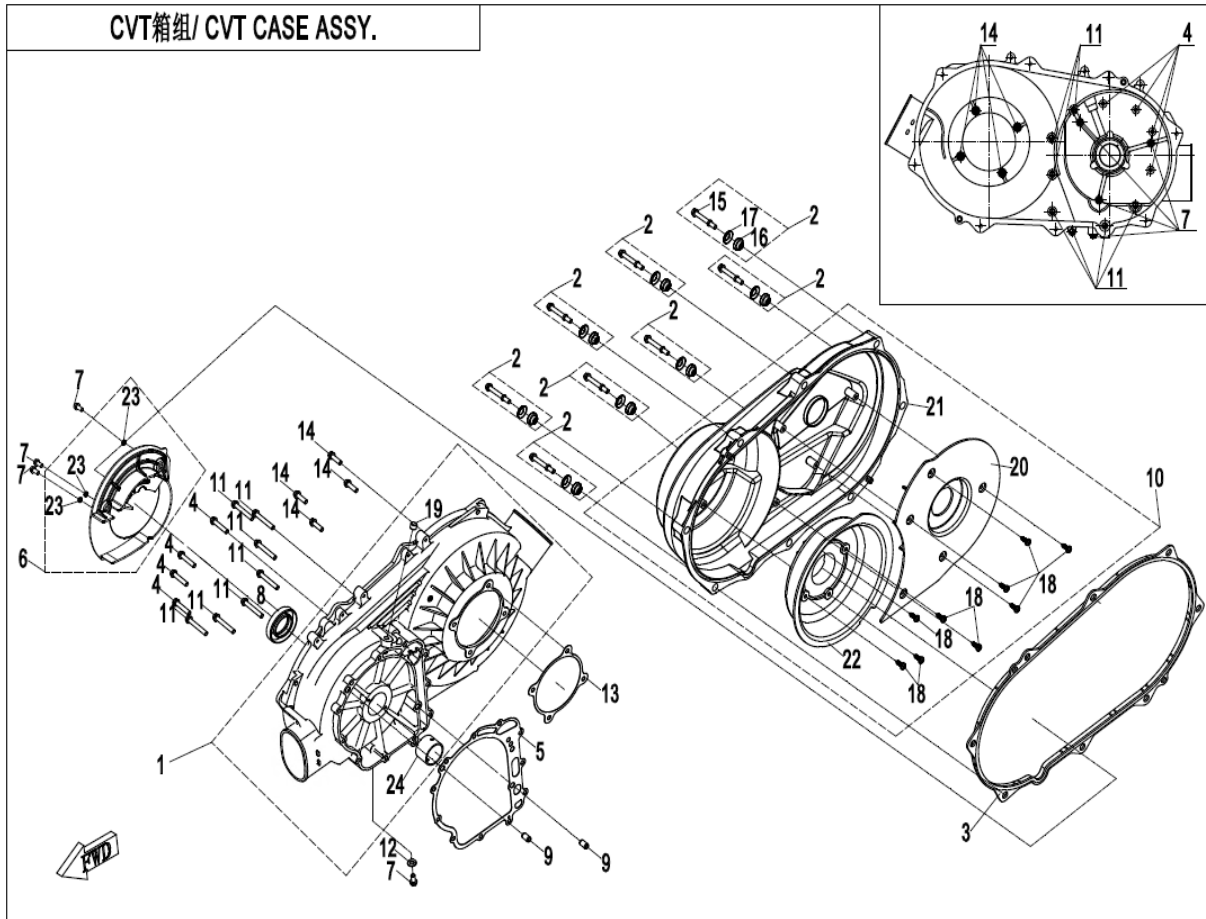
E01-1 左曲轴箱组 LEFT CRANKCASE ASSY

Item No.	Parts Number	Parts Name(EN)	Qty	Specification
01	0040-012006-0010	BOLT M8x50	2	M8X50
02	0010-090005-0010	BOLT M6x16	1	M6x16
03	0GR0-011020	SPEED SENSOR	1	
04	0010-080008	DOWEL PIN Dia 8x14	3	Dia 8x14
05	0GR0-011003	BOLT M14x1.5x12	2	M14x1.5x12
06	0180-011006	GASKET 14	2	14
07	0GR0-011100-00001	LH CRANKCASE ASSY	1	
08	0010-011017-0010	BOLT M6x60	7	M6x60
09	0010-021005	DOWEL PIN Dia 10x14	3	Dia 10x14
10	0GR0-011002	OIL RAIL COVER PLATE	1	
11	0GR0-011004	PAPER WASHER, OIL RAIL	1	
12	30499-01700	BEARING	1	17
13	30400-01704	BEARING	1	17
14	30499-01500	BEARING	1	6202
15	01A0-013005	O-SEAL RING 13x2	1	13x2
16	0110-013030	O-SEAL RING 18x3.55	2	18x3.55
17	0800-011011-1000	JOINT PIPE, , OIL DIPSTICK	1	
18	0010-023010-0010	BOLT M6x20	3	M6x20
19	30105-060012410	SCREW M6x12	4	M6x12
20	30400-02201	BEARING	1	
21	0GR0-011001	PLATE, OIL STRAINER	1	
22	0110-013005-00001	DRAIN SCREW PLUG M12x1.5x15	1	
23	0010-021014	WASHER 12	1	12
24	0GR0-011010	OIL STRAINER	1	
25	0800-014003	O-SEAL RING 63x2.5	1	63x2.5
26	30502-010000N	O-RING	1	10x1.8
27	0GR0-011102	DUAL GEAR SHAFT, OIL PUMP	1	
28	30406-00500	ROLLER NEEDLE P5x11.8	2	P5x11.8
29	0GR0-011103	INTERMEDIATE GEAR SHAFT, REVERSE	1	
30	0800-011102-00021	PLAIN BEARING 1	1	BLUE@THICK
30	0800-011102-00011	PLAIN BEARING 1	1	RED@THIN
31	0800-011103-00011	PLAIN BEARING 2	1	RED@THIN
31	0800-011103-00021	PLAIN BEARING 2	1	BLUE@THICK
32	0800-0111A0-00001	PLAIN BEARING KIT, MAIN SHAFT	1	RED
32	0800-0111B0-00001	PLAIN BEARING KIT, MAIN SHAFT	1	BLUE
33	0GRB-011001	DIPSTICK, ENGINE OIL	1	



E01-2 右曲轴箱组 RIGHT CRANKCASE ASSY

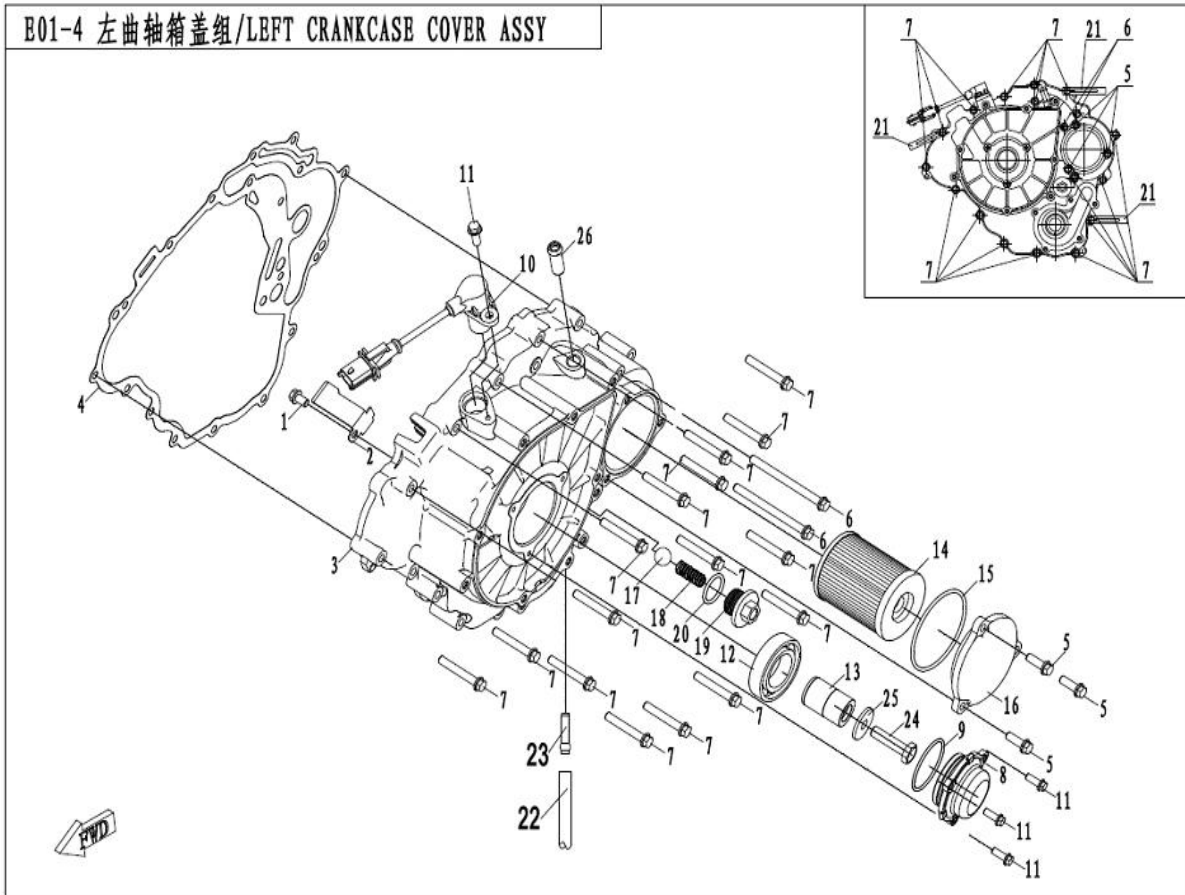
Item No.	Parts Number	Parts Name(EN)	Qty	Specification
01	0GR0-012100-10001	RH CRANKCASE ASSY	1	
02	0180-012006-00001	OIL SEAL 30X45X8	1	
03	30499-03000	BEARING	1	5206
04	30400-01704	BEARING	1	17
05	0800-011007	CHAIN GUARD	1	
06	0010-090005-0010	BOLT M6x16	2	M6x16
07	0800-012200	GEAR SENSOR ASSY	1	ORDINARY
08	0180-023002	O-SEAL RING 24x2.5	1	24x2.5
09	0010-013010-0010	BOLT M6x50	8	M6x50
10	0800-012400	OIL PRESSURE SWITCH	1	
11	0010-060010	WASHER 10	1	10
12	0040-012006-0010	BOLT M8x50	2	M8X50
13	30400-02201	BEARING	1	
14	0180-014010	WIRE CLAMP	1	
15	01A0-011003	NOZZLE	1	
16	0800-012401	ADAPTOR CABLE, OIL PRESSURE SWITCH	1	
17	0800-011102-00021	PLAIN BEARING 1	1	BLUE@THICK
17	0800-011102-00011	PLAIN BEARING 1	1	RED@THIN
18	0800-011103-00011	PLAIN BEARING 2	1	RED@THIN
18	0800-011103-00021	PLAIN BEARING 2	1	BLUE@THICK
19	0800-0111A0-00001	PLAIN BEARING KIT, MAIN SHAFT	1	RED
19	0800-0111B0-00001	PLAIN BEARING KIT, MAIN SHAFT	1	BLUE



E01-3 CVT箱组 CVT CASE ASSY

Item No.	Parts Number	Parts Name(EN)	Qty	Specification
01	OGR0-013100-10001	CVT CASE ASSY	1	
01	OGR0-013100-10002	CVT CASE ASSY	1	
02	0800-021100-10000	BOLT ASSY. CYLINDER HEAD COVER	8	
03	OGR0-013003	SEAL RING, CVT COVER	1	
04	0010-060012-0010	BOLT M6x30	4	M6x30
05	OGR0-013001-20000	STEEL GASKET, CVT CASE	1	
06	OGR0-013010	CVT WIND GUARD ASSY	1	
07	0010-021019-0010	BOLT M6x12	4	M6x12
08	OJY0-013103	OIL SEAL 32X55X10	1	32X55X10
09	0010-080008	DOWEL PIN Dia 8x14	2	Dia 8x14
10	OGR0-013300-20000	COVER, CVT CASE	1	
11	0010-013009-0010	BOLT M6x40	7	M6x40
12	0010-060009	WASHER 6	1	6
13	0800-012002	GASKET(2), CVT CASE	1	
14	0010-023010-0010	BOLT M6x20	4	M6x20
15	0800-021101-10001	BOLT, CYLINDER HEAD COVER	8	
16	0800-021102	RUBBER WASHER	8	
17	0800-021103	CAP, RUBBER WASHER	8	
18	30110-480160010	SELF-TAPPING SCREW ST4.8x16	9	ST4.8x16
19	01A0-012010-00001	SCREW	1	
20	OGR0-013302	REAR HEAT INSULATION COVER	1	
21	OGR0-013002-20000	COVER, CVT CASE	1	
22	OGR0-013301-20000	FRONT HEAT INSULATION GUARD	1	
23	OGR0-013012	BUSHING	3	
24	OJY0-013102-00011	PLAIN BEARING, CVT	2	RED
24	OJY0-013102-00021	PLAIN BEARING, CVT	2	BLUE

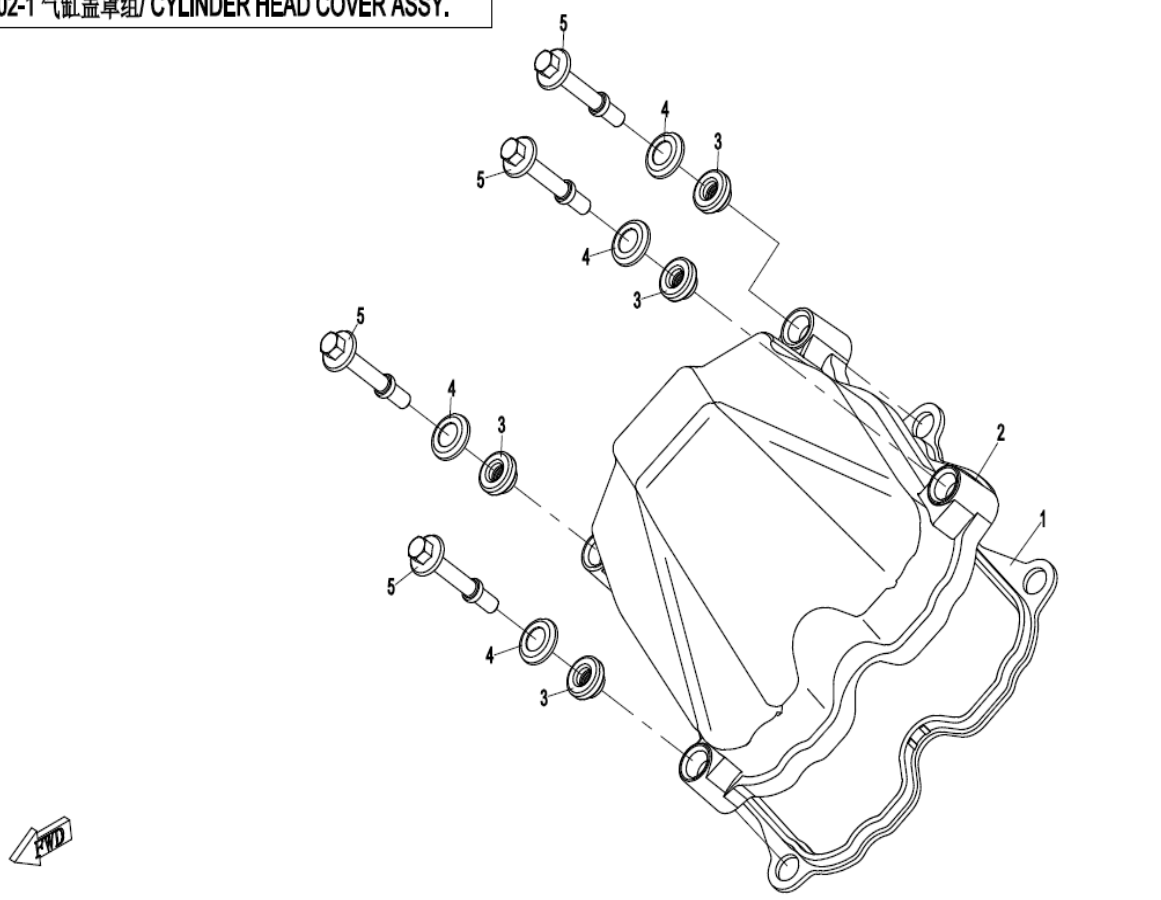
E01-4 左曲轴箱盖组/LEFT CRANKCASE COVER ASSY



E01-4-V2 左曲轴箱盖组 LEFT CRANKCASE COVER ASSY

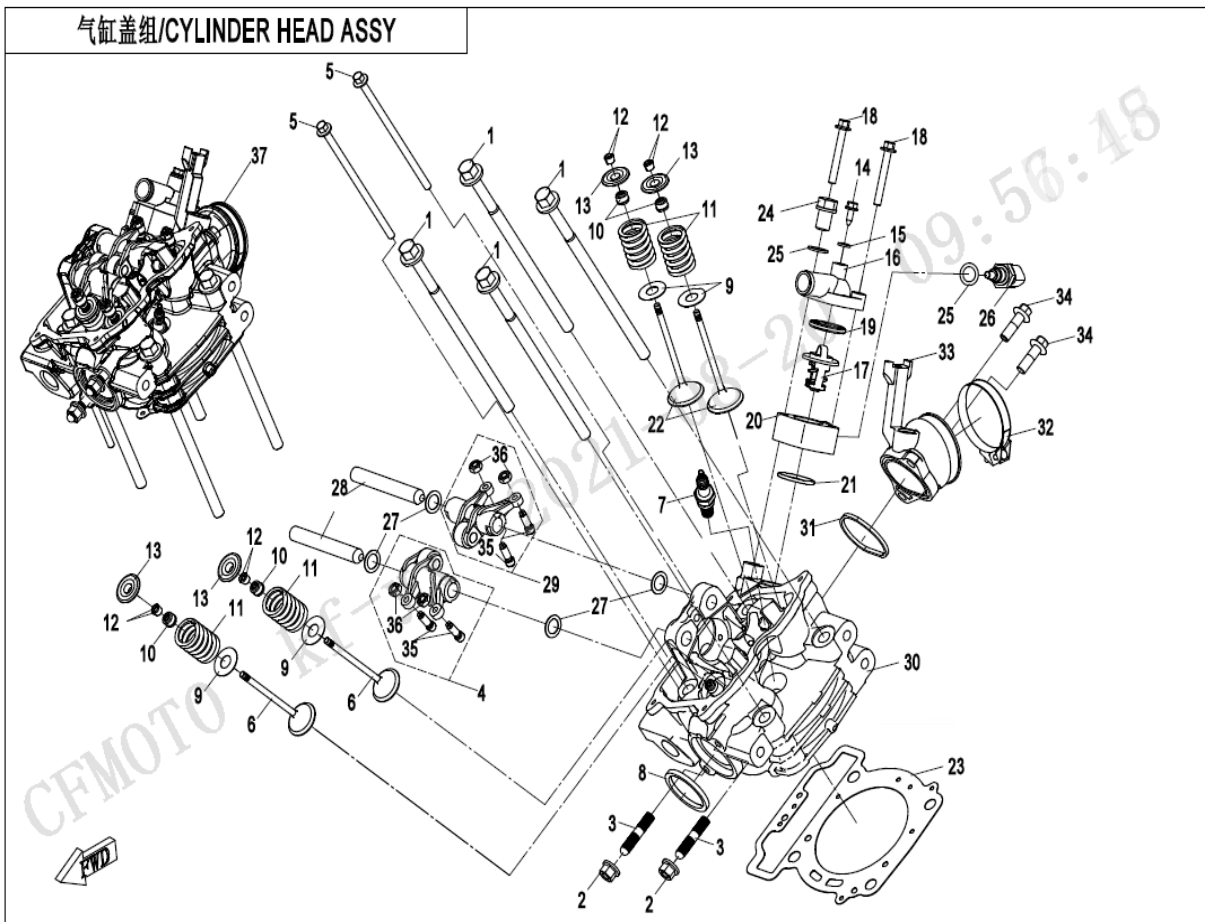
Item No.	Parts Number	Parts Name(EN)	Qty	Specification
01	0010-080010-0010	BOLT M6x10	1	M6x10
02	0GR0-014005	PLATE	1	
03	0GR0-014001-10000	CRANKCASE COVER, LH	1	
04	0GR0-014002-10000	STEEL GASKET, LH CRANKCASE COVER	1	
05	0010-023008-0010	BOLT M6x18	3	M6x18
06	0A70-011005-00001	BOLT M6x75	2	
07	0010-013009-0010	BOLT M6x40	16	M6x40
08	0GRA-014001	PLUG	1	SUZUKI RED
09	0GRA-014003	O-SEAL RING 48x2.5	1	
10	0800-014100	RPM SENSOR	1	ORDINARY
11	0010-090005-0010	BOLT M6x16	4	M6x16
12	30400-02800	BEARING	1	
13	0GRA-014002	SHAFT SLEEVE	1	
14	0800-011300-0004	OIL FILTER ELEMENT	1	
15	0800-014003	O-SEAL RING 63x2.5	1	63x2.5
16	0800-014002-00001	FILTER COVER	1	
17	3120015	STEEL BALL	1	
18	0700-012603-1000	SPRING, RELIEF VALVE	1	
19	0GR0-014003	SCREW PLUG, RELIEF VALVE	1	
20	0180-332004	O-SEAL RING 19x2.5	1	19x2.5
21	0180-014010	WIRE CLAMP	3	
22	0800-014013	OVERFLOW HOSE	1	
23	01A0-022102	PIPE JOINT	1	
24	0180-092001-00001	BOLT M10x40	1	
25	018A-180004	GASKET 10.2x28x3	1	10.2x28x3
26	0010-013006-0010	JOINT, BREATHER HOSE	1	

E02-1 气缸盖罩组/ CYLINDER HEAD COVER ASSY.



E02-1 气缸盖罩组 CYLINDER HEAD COVER ASSY

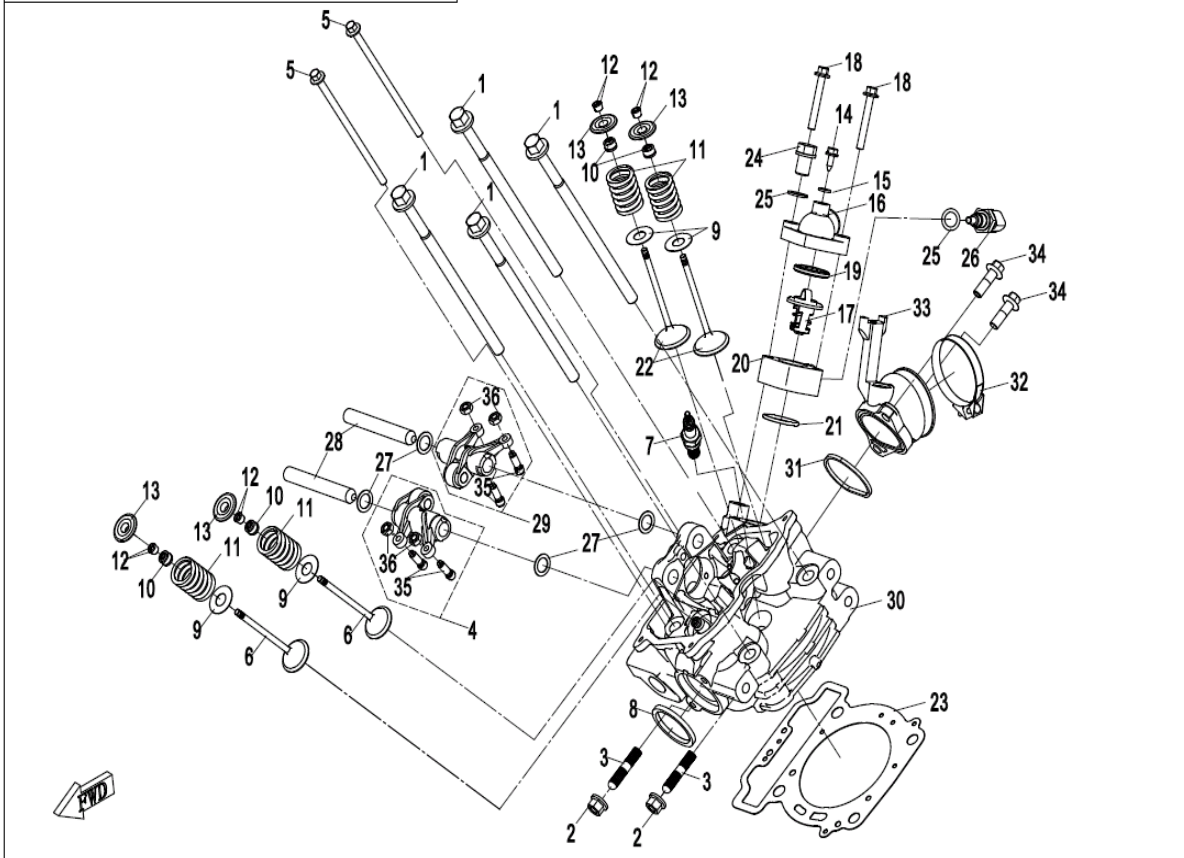
Item No.	Parts Number	Parts Name(EN)	Qty	Specification
01	0800-021002-00001	SEAL RING, CYLINDER HEAD COVER	1	
02	0800-021001	CYLINDER HEAD COVER	1	
03	0800-021102-10000	RUBBER WASHER	4	
04	0800-021103	CAP, RUBBER WASHER	4	
05	0800-021101-10001	BOLT, CYLINDER HEAD COVER	4	



E02-2 气缸盖组 CYLINDER HEAD ASSY

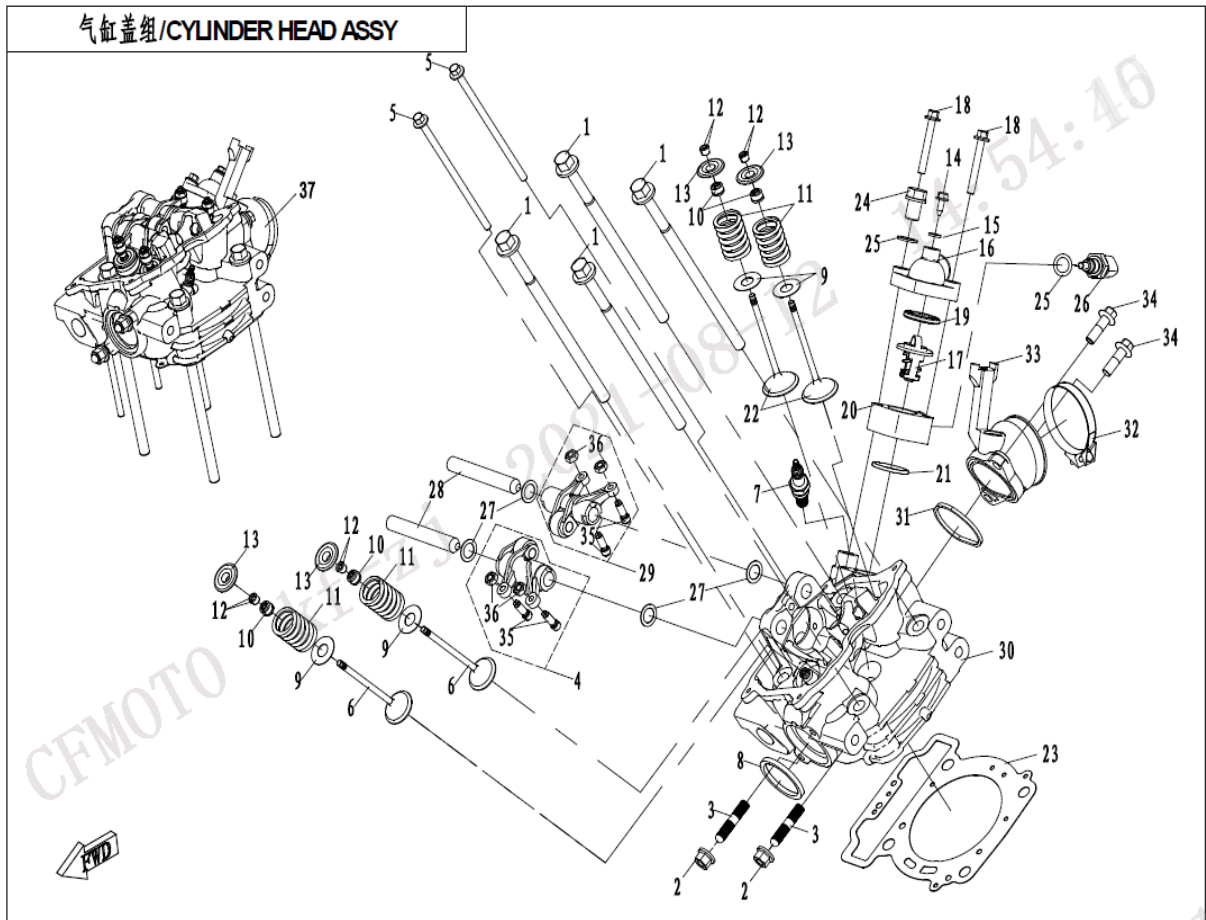
Item No.	Parts Number	Parts Name(EN)	Qty	Specification
01	0GR0-022001-10000	BOLT,CYLINDER	4	
02	0010-011700-0010	FLANGE NUT M8	2	M8
03	0180-022003-00001	STUD M8x42	2	
04	0800-022600-20000	ROCKER ARM ASSY, AIR EXHAUST	1	
05	0GR0-022002-00001	BOLT M6x132	2	M6x132
06	0800-022205	VALVE, EXHAUST	2	
07	0800-022800	SPARK PLUG	1	
08	0800-022300	BUSHING, EXHAUST PIPE	1	
09	0800-022208	LOWER SEAT, VALVE SPRING	4	
10	0010-022500-10000	SEAL RING, VALVE STEM	4	
11	0800-022006-10000	VALVE SPRING	4	
12	0800-022016	LOCK CLIP, VALVE	8	
13	0800-022007	UPPER SEAT, VALVE SPRING	4	
14	30132-550160030	SCREW ST5.5x16	1	ST5.5x16
15	0800-022011	WASHER 5.3x11x1.5	1	5.3x11x1.5
16	0800-022013-10000	THERMOSTAT CAP	1	
17	0800-022700	THERMOSTAT	1	
18	0180-013208-0010	BOLT M6x45	2	M6x45
19	0010-022802	SEAL RING	1	
20	0GR0-022003	SEAT, THERMOSTAT	1	
21	30502-028000N	O-RING	1	28x2.65
22	0800-022004	VALVE, INTAKE	2	
23	0800-022200	GASKET, CYLINDER HEAD	1	
23	0800-022200-00002	GASKET, CYLINDER HEAD	1	
24	0800-022015-00001	SCREW PLUG M12x1.5	1	
25	0800-022014	WASHER 12.2x18x1.5	2	12.2x18x1.5
26	018B-022810	WATER TEMPERATURE SENSOR	1	
27	0800-022002	WASHER 12.3x18.5x0.5	4	12.3x18.5x0.5
28	0800-022001	ROCKER ARM SHAFT	2	
29	0800-022500-20000	ROCKER ARM ASSY, AIR INTAKE	1	
30	0JY0-022100-10001	CYLINDER HEAD	1	
31	0800-025002	SEAL RING, MANIFOLD	1	
32	01A0-110005	CLAMP 57	1	
33	0GR0-022900	INJECTOR SEAT	1	
34	0130-011114-0010	BOLT M8x25	2	M8x25
35	0800-022510	ADJUST SCREW, VALVE CLEARANCE	4	
36	0800-022506	ADJUST NUT, VALVE CLEARANCE	4	
37	0GR0-0220A0	CYLINDER HEAD ASSY	1	

E02-2-V2 气缸盖组/CYLINDER HEAD ASSY



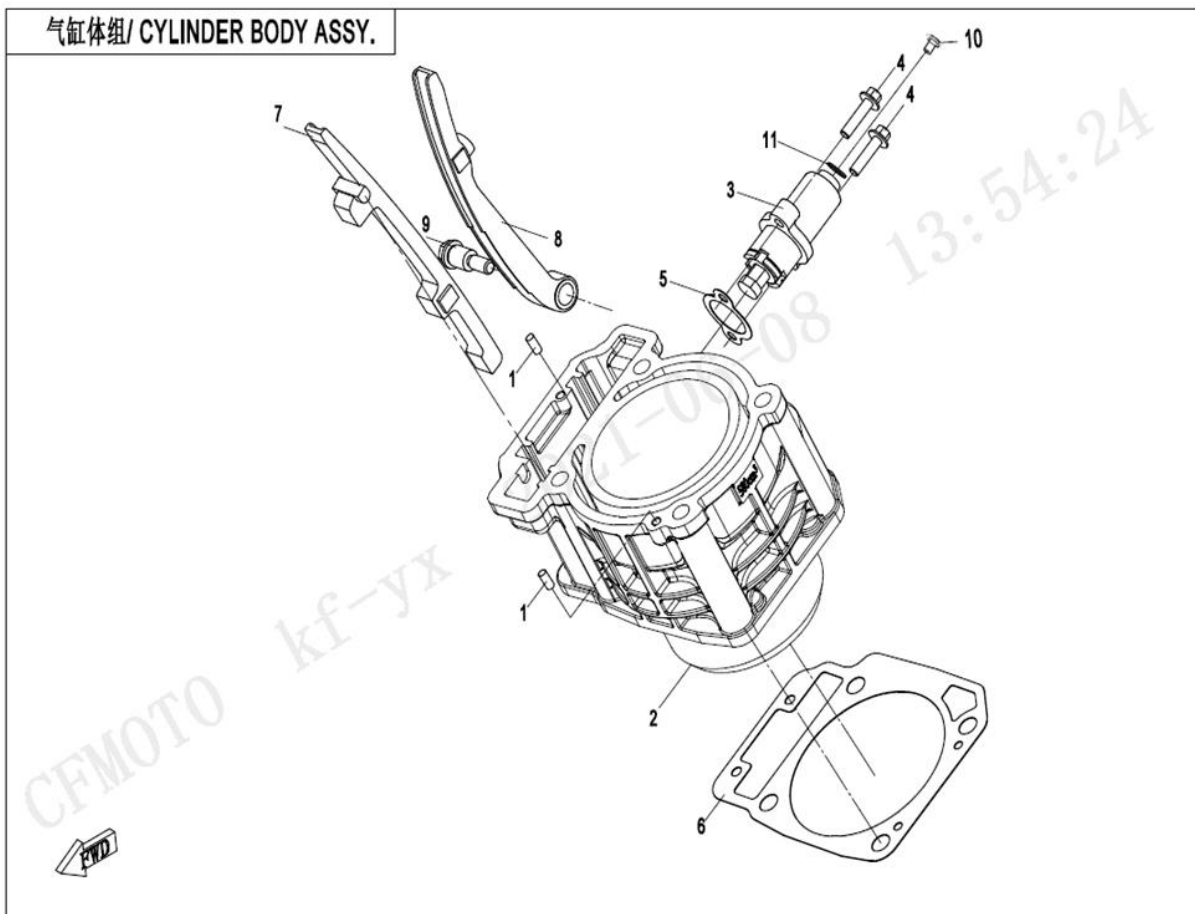
E02-2-V2 气缸盖组 CYLINDER HEAD ASSY

Item No.	Parts Number	Parts Name(EN)	Qty	Specification
01	0GR0-022001-10000	BOLT,CYLINDER	4	
02	0010-011700-0010	FLANGE NUT M8	6	M8
03	0180-022003-00001	STUD M8x42	2	
04	0800-022600-20000	ROCKER ARM ASSY, AIR EXHAUST	1	
05	0GR0-022002-00001	BOLT M6x132	2	M6x132
06	0800-022005	VALVE, EXHAUST	2	
07	0800-022800	SPARK PLUG	1	
08	0800-022300	BUSHING, EXHAUST PIPE	1	
09	0800-022008	LOWER SEAT, VALVE SPRING	4	
10	0010-022500-10000	SEAL RING, VALVE STEM	4	
11	0800-022006-10000	VALVE SPRING	4	
12	0800-022016	LOCK CLIP, VALVE	8	
13	0800-022007	UPPER SEAT, VALVE SPRING	4	
14	30132-550160030	SCREW ST5.5x16	1	ST5.5x16
15	0800-022011	WASHER 5.3x11x1.5	1	5.3x11x1.5
16	0GRB-022001	HOUSING, THERMOSTAT	1	
17	0800-022700	THERMOSTAT	1	
18	0180-013208-0010	BOLT M6x45	2	M6x45
19	0010-022802	SEAL RING	1	
20	0GR0-022003	SEAT, THERMOSTAT	1	
21	30502-028000N	O-RING	1	28x2.65
22	0800-022004	VALVE, INTAKE	2	
23	0800-022200-00002	GASKET, CYLINDER HEAD	1	
24	0800-022015-00001	SCREW PLUG M12x1.5	1	
25	0800-022014	WASHER 12.2x18x1.5	2	12.2x18x1.5
26	018B-022810	WATER TEMPERATURE SENSOR	1	
27	0800-022002	WASHER 12.3x18.5x0.5	4	12.3x18.5x0.5
28	0800-022001	ROCKER ARM SHAFT	2	
29	0800-022500-20000	ROCKER ARM ASSY, AIR INTAKE	1	
30	0JY0-022100-10001	CYLINDER HEAD	1	
31	0800-025002	SEAL RING, MANIFOLD	1	
32	01A0-110005	CLAMP 57	1	
33	0GR0-022900	INJECTOR SEAT	1	
34	0130-011114-0010	BOLT M8x25	2	M8x25
35	0800-022510	ADJUST SCREW, VALVE CLEARANCE	4	
36	0800-022506	ADJUST NUT, VALVE CLEARANCE	4	



E02-2-V3 气缸盖组 CYLINDER HEAD ASSY

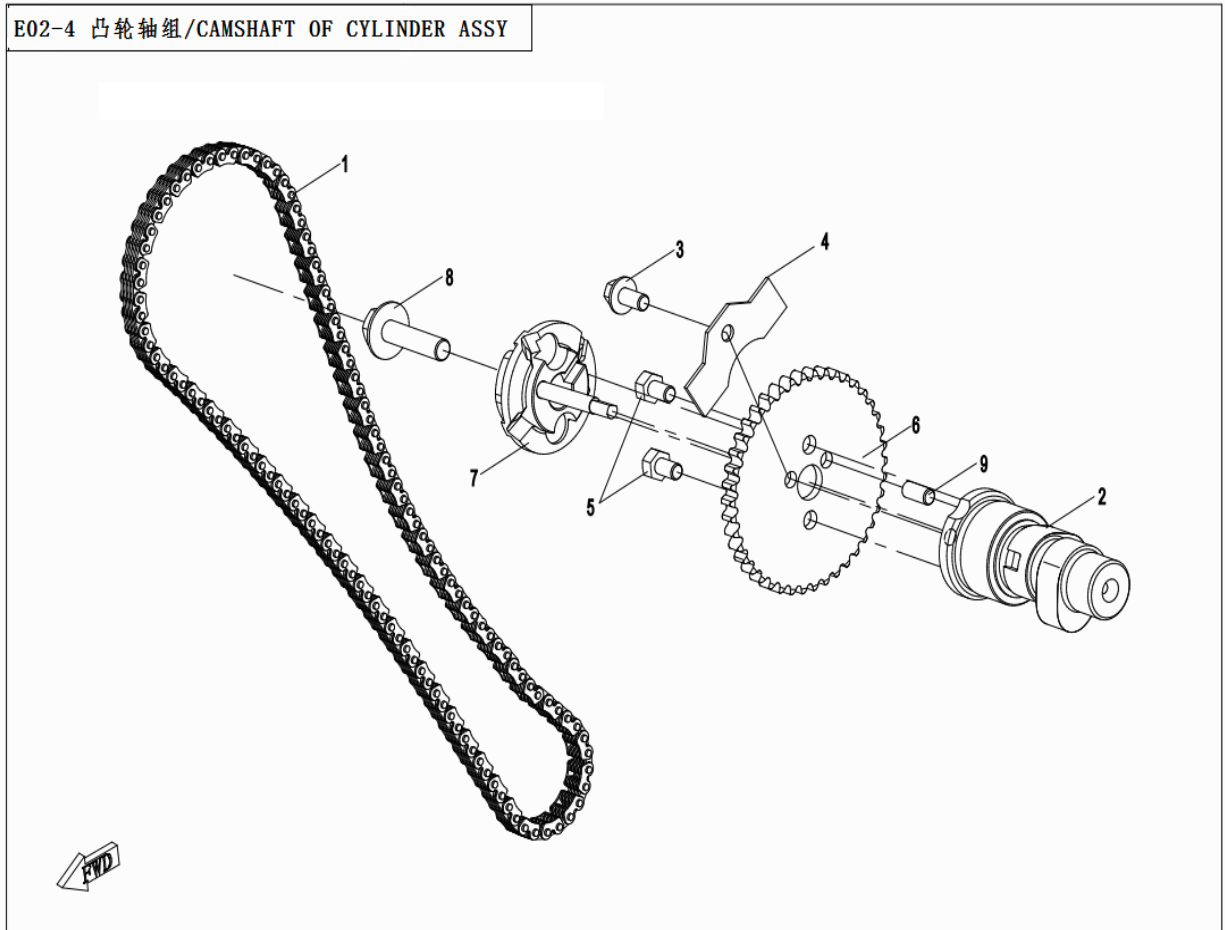
Item No.	Parts Number	Parts Name(EN)	Qty	Specification
01	0GR0-022001-10000	BOLT,CYLINDER	4	
02	0010-011700-0010	FLANGE NUT M8	6	M8
03	0180-022003-00001	STUD M8x42	2	
04	0800-022600-20000	ROCKER ARM ASSY, AIR EXHAUST	1	
05	0GR0-022002-00001	BOLT M6x132	2	M6x132
06	0800-022005	VALVE, EXHAUST	2	
07	0800-022800	SPARK PLUG	1	
08	0800-022300	BUSHING, EXHAUST PIPE	1	
09	0800-022008	LOWER SEAT, VALVE SPRING	4	
10	0010-022500-10000	SEAL RING, VALVE STEM	4	
11	0800-022006-10000	VALVE SPRING	4	
12	0800-022016	LOCK CLIP, VALVE	8	
13	0800-022007	UPPER SEAT, VALVE SPRING	4	
14	30132-550160030	SCREW ST5.5x16	1	ST5.5x16
15	0800-022011	WASHER 5.3x11x1.5	1	5.3x11x1.5
16	0GRB-022001	HOUSING, THERMOSTAT	1	
17	0800-022700	THERMOSTAT	1	
18	0180-013208-0010	BOLT M6x45	2	M6x45
19	0010-022802	SEAL RING	1	
20	0GR0-022003	SEAT, THERMOSTAT	1	
21	30502-028000N	O-RING	1	28x2.65
22	0800-022004	VALVE, INTAKE	2	
23	0800-022200-00002	GASKET, CYLINDER HEAD	1	
24	0800-022015-00001	SCREW PLUG M12x1.5	1	
25	0800-022014	WASHER 12.2x18x1.5	2	12.2x18x1.5
26	018B-022810	WATER TEMPERATURE SENSOR	1	
27	0800-022002	WASHER 12.3x18.5x0.5	4	12.3x18.5x0.5
28	0800-022001	ROCKER ARM SHAFT	2	
29	0800-022500-20000	ROCKER ARM ASSY, AIR INTAKE	1	
30	0JY0-022100-10001	CYLINDER HEAD	1	
31	0800-025002	SEAL RING, MANIFOLD	1	
32	01A0-110005	CLAMP 57	1	
33	0GR0-022900	INJECTOR SEAT	1	
34	0130-011114-0010	BOLT M8x25	2	M8x25
35	0800-022510	ADJUST SCREW, VALVE CLEARANCE	4	
36	0800-022506	ADJUST NUT, VALVE CLEARANCE	4	
37	0GRB-022000-20000	CYLINDER HEAD SUB ASSY	1	



E02-3-V2 气缸体组 CYLINDER BODY ASSY.

Item No.	Parts Number	Parts Name(EN)	Qty	Specification
01	30406-00500	ROLLER NEEDLE P5x11.8	2	P5x11.8
02	0GR0-023100-20020	CYLINDER BODY ASSY	1	2 GROUP
02	0GR0-023100-20010	CYLINDER BODY ASSY	1	1 GROUP
03	0GS0-023200-00001	TENSIONER ASSY	1	
04	0010-021017-0010	BOLT M6x25	2	M6x25
05	0180-023003	GASKET, TENSIONER	1	
06	0GR0-023001	GASKET, CYLINDER BODY	1	
07	0GR0-023300	UPPERGUIDE, CHAIN	1	
08	0GR0-023200	TENSION PLATE	1	
09	0700-024008-00001	PIN SHAFT	1	
10	0JYA-023001-00001	HEX FLANGE BOLT M6x6	1	
11	0700-011202	O-SEAL RING 8.2x1.90	1	8.2x1.90

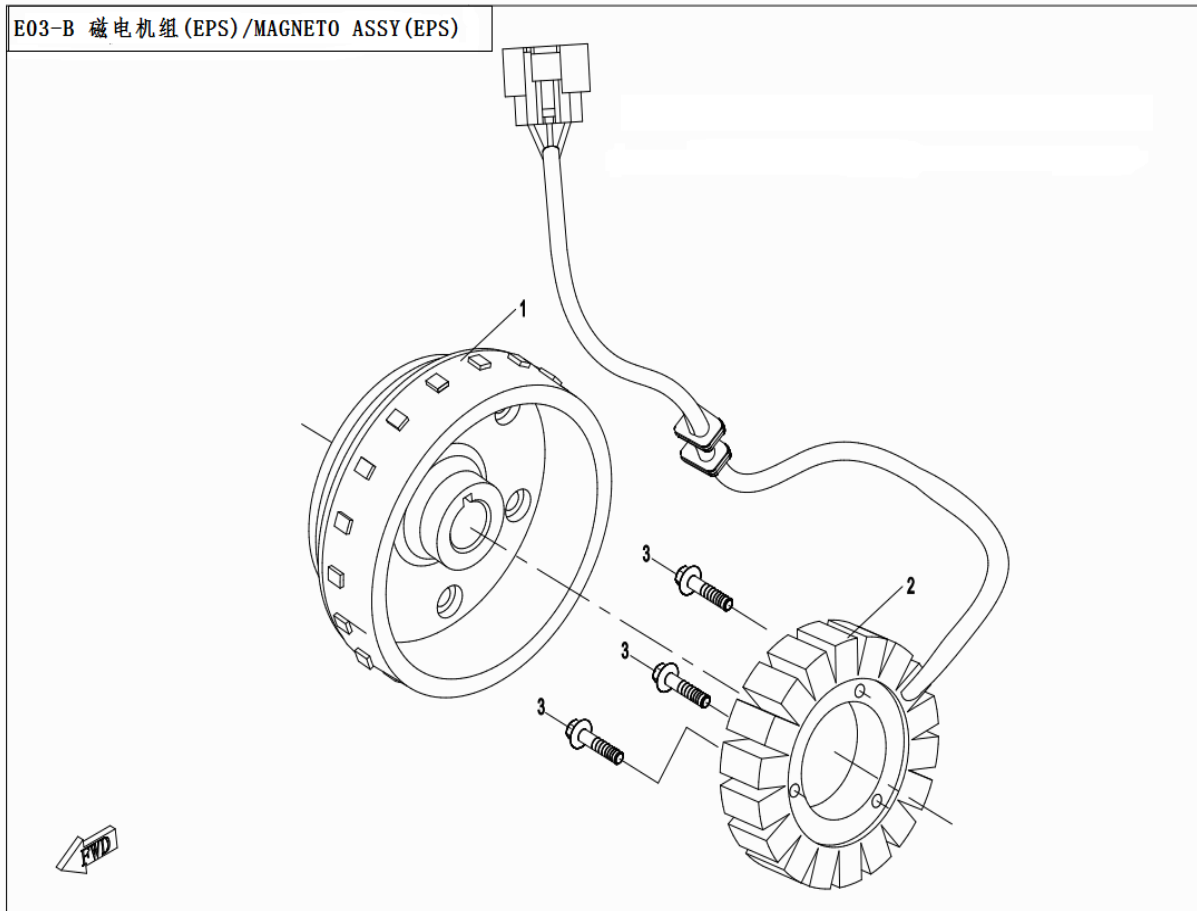
E02-4 凸轮轴组/CAMSHAFT OF CYLINDER ASSY



E02-4 凸轮轴组 CAMSHAFT OF CYLINDER ASSY

Item No.	Parts Number	Parts Name(EN)	Qty	Specification
01	0GR0-024100	TIMING CHAIN	1	
02	0GR0-024001	CAMSHAFT	1	
03	0010-021019-0010	BOLT M6x12	1	M6x12
04	0800-024004-10000	HOLDING STRIP, CAMSHAFT	1	
05	0010-080010-0010	BOLT M6x10	2	M6x10
06	0GR0-024002	TIMING DRIVEN SPROCKET	1	
07	0GR0-024200-10000	STARTER DECOMPRESSOER	1	
08	0GR0-024003-00001	BOLT M8x32	1	M8x32
09	0800-024002	DOWEL PIN, SPROCKET	1	

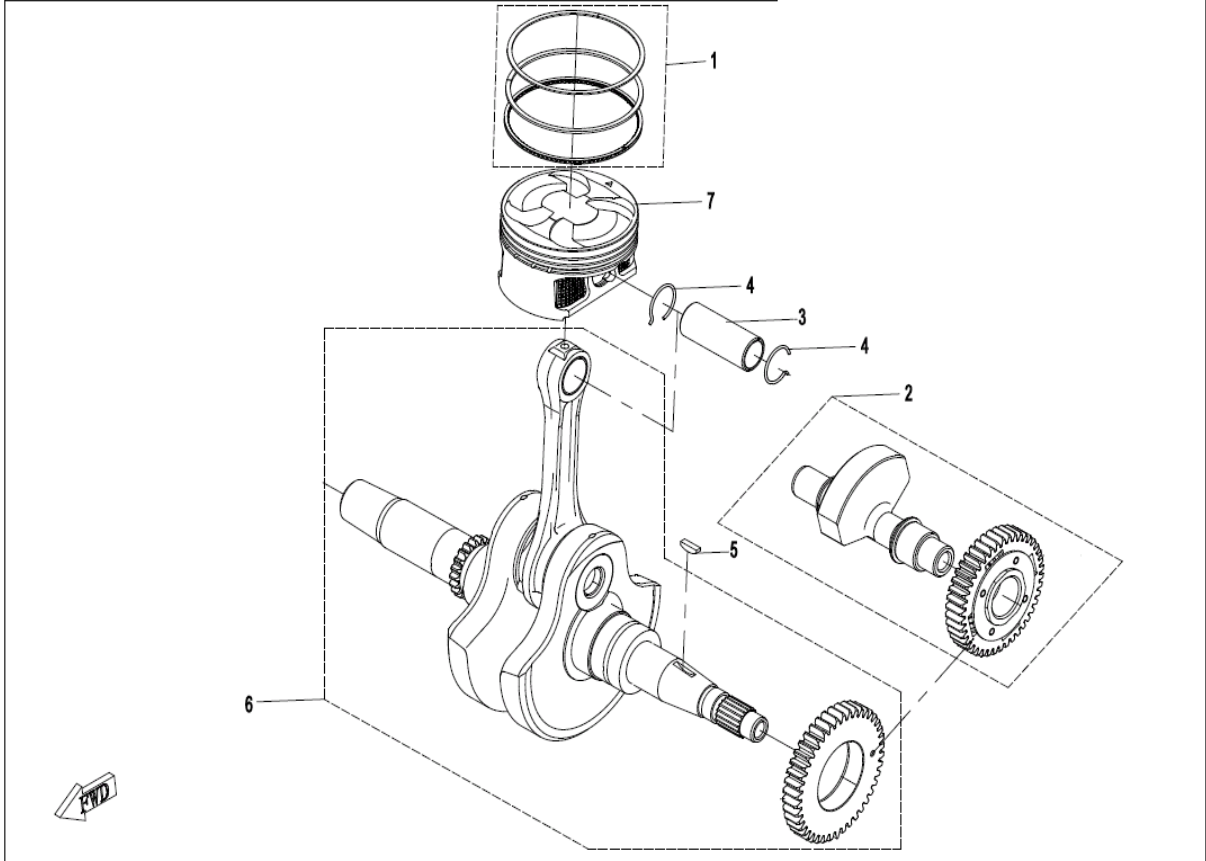
E03-B 磁机组 (EPS)/MAGNETO ASSY (EPS)



E03 磁机组(EPS) MAGNETO STATOR ASSY(EPS)

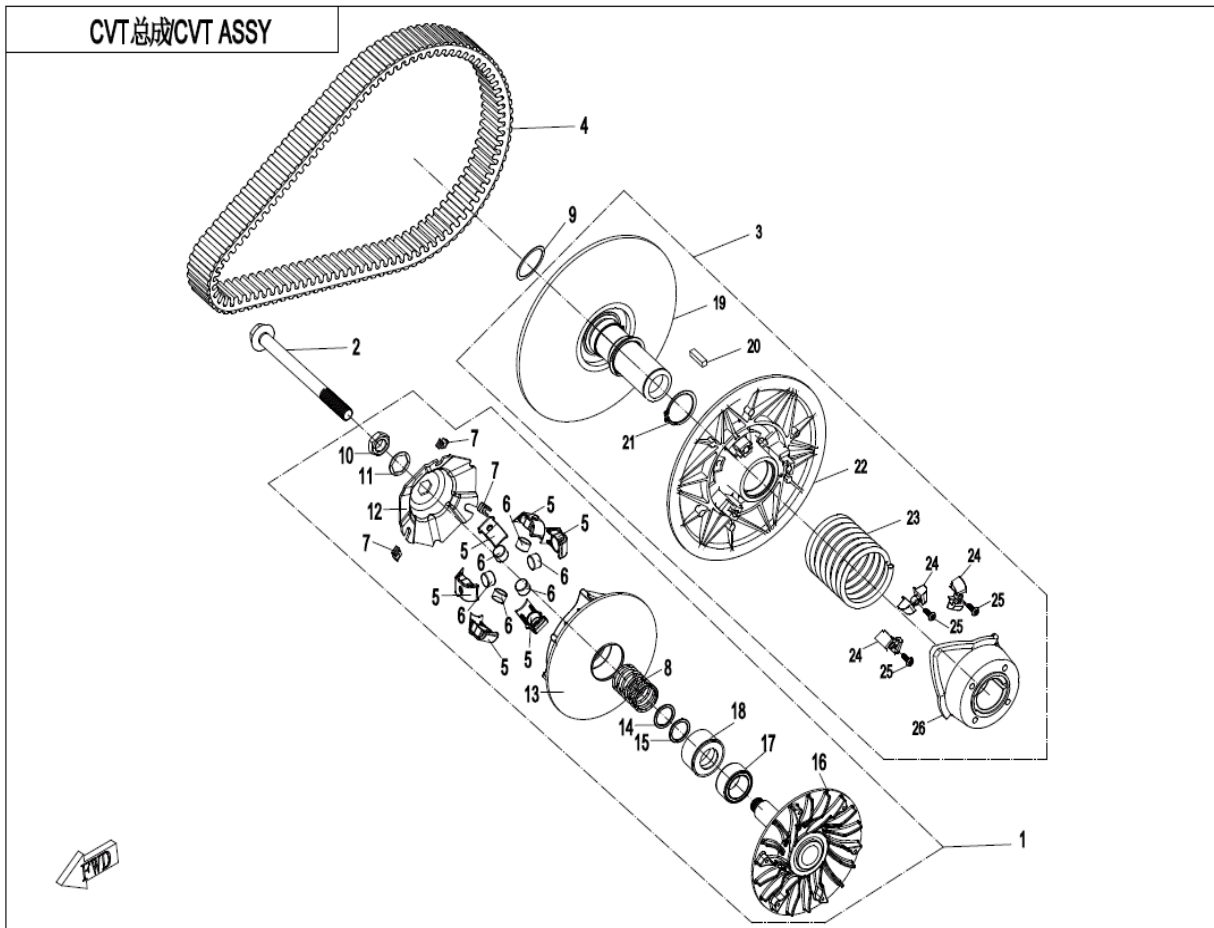
Item No.	Parts Number	Parts Name(EN)	Qty	Specification
01	0GR0-031000-1000	MAGNETO ROTOR	1	HIGH-POWER, PRODUCED BY LANG FANG KE SEN
02	0GRB-032000-10000	MAGNETO STATOR	1	HIGH POWER, LONGER LINE
03	0180-030001-00001	SCREW M6x30	3	

E04 曲柄连杆活塞组/CRANKSHAFT&CONNECTING ROD&PISTON ASSY



E04 曲柄连杆活塞组 CRANKSHAFT/CONNECTING ROD/PISTON ASSY

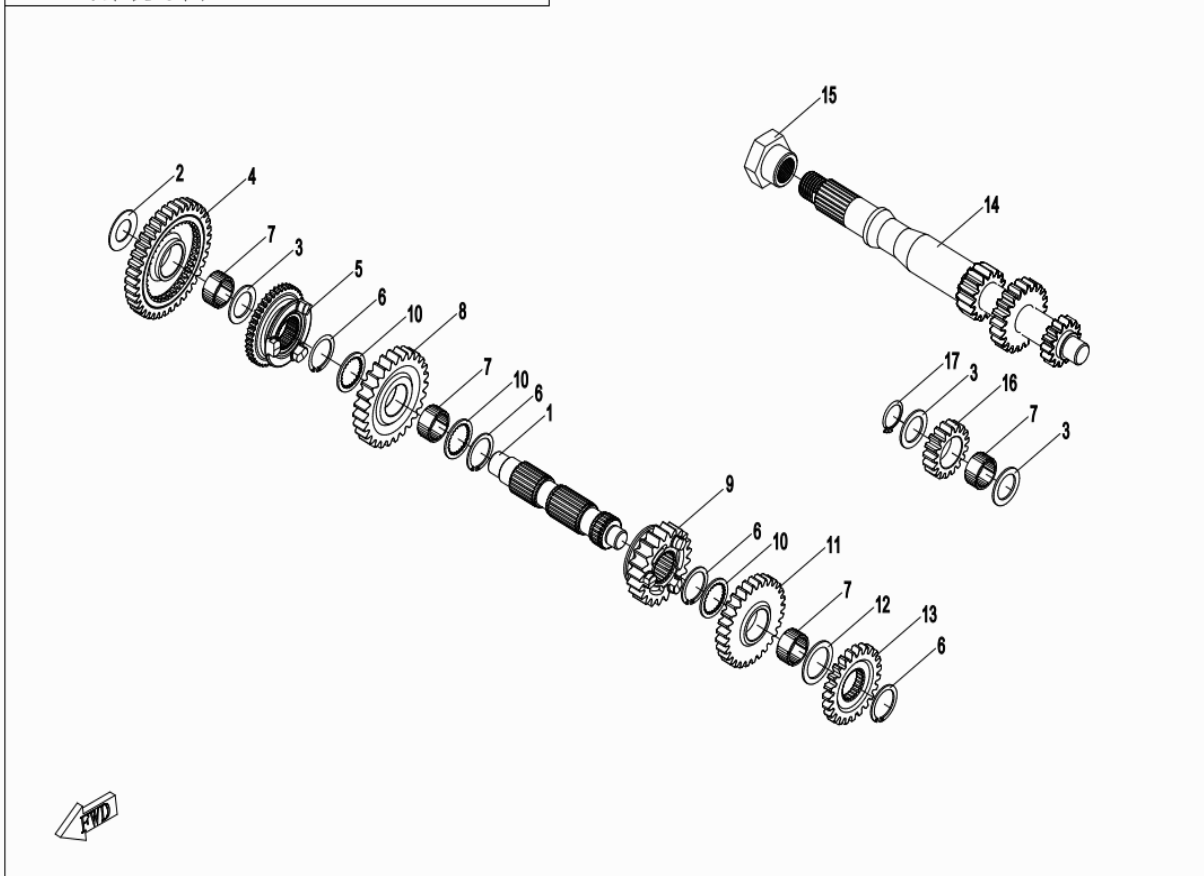
Item No.	Parts Number	Parts Name(EN)	Qty	Specification
01	0JYA-0400B0	PISTON RING ASSY	1	SUPPLIERS:ATG
02	0GR0-160000-00011	BALANCER SHAFT ASSY	1	
02	0GR0-160000-00021	BALANCER SHAFT ASSY	1	
03	0800-040002	PISTON PIN	1	
04	0800-040005	CIRCLIP, PISTON PIN	2	
05	0180-040007	WOODRUFF KEY	1	
06	0GR0-041000-10013	CRANKSHAFT ASSEMBLY	1	MARK A@MATCHED WITH MARK B BALANCER SHAFT ASSY
06	0GR0-041000-10023	CRANKSHAFT ASSEMBLY	1	MARK B@MATCHED WITH MARK A BALANCER SHAFT ASSY
07	0800-040001-20011	PISTON	1	GROUP 1
07	0800-040001-20021	PISTON	1	GROUP 2
07	0800-040001-20012	PISTON	1	MARK1
07	0800-040001-20022	PISTON	1	MARK 2



E05-V3 CVT总成 CVT ASSY

Item No.	Parts Number	Parts Name(EN)	Qty	Specification
01	OGRB-051000-20040	DRIVE PULLEY ASSY	1	16g WEIGHT ROLLER
02	OJY0-050001-00001	BOLT, DRIVE PULLEY	1	
03	OGR0-052000	DRIVEN PULLEY	1	
04	0180-055000-0004	DRIVE BELT	1	MITSUBOSHI
04	0180-055000-0003	DRIVE BELT	1	BANDO
04	0180-055000-0005	DRIVE BELT	1	CARLISLE
05	OGR0-051005	NYLON PROTECTOR, WEIGHT ROLLER	6	CVtech
06	OGR0-051004-20000	WEIGHT ROLLER	6	16g
07	OGR0-051006	NYLON SLIDER	3	
08	OGR0-051003-20000	SPRING, DRIVE PULLEY	1	ORDINARY
09	OGR0-050001-00001	ADJUSTING WASHER	1	
10	OJYA-051013-10001	NUT, DRIVE PULLEY	1	
11	OGR0-051007	HEXAGONAL BORE WASHER	1	
12	OGR0-051002-00001	RAMP PLATE	1	
13	OGR0-051100	PRIMARY LOOSE PULLEY ASSY	1	
14	OGR0-051011	STEEL WASHER	1	CVtech
15	OGR0-051009-10000	NYLON WASHER	1	
16	OGR0-051200-20011	PRIMARY TIGHT PULLEY ASSY	1	
17	OGR0-051400-10000	BEARING	1	
18	OGR0-051001	SPRING SEAT	1	CVtech
19	OGR0-052100	DRIVEN FIXED PULLEY ASSY	1	CVtech
20	OGR0-052003	TAPER KEY	1	CVtech
21	OGR0-052004	CIRCLIP	1	CVtech
22	OGR0-052200	DRIVEN SLIDING PULLEY ASSY	1	
23	OGR0-052001	SPRING, DRIVEN PULLEY	1	CVtech
24	OGR0-052005	NYLON BLOCK	3	CVtech
25	OGR0-052006	SCREW	3	CVtech
26	OGR0-052002	CAM PLATE	1	CVtech

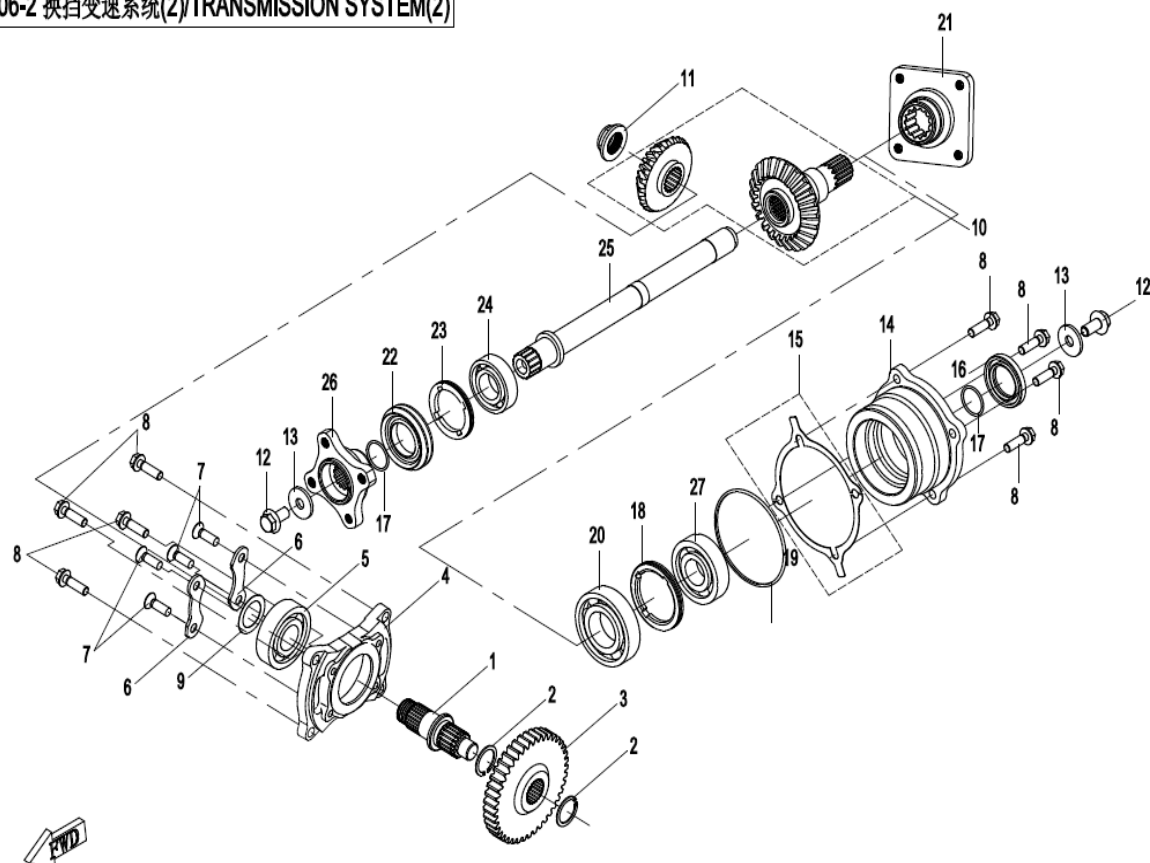
E06-1 换档变速系统 (I) / TRANSMISSION SYSTEM (I)



E06-1 换档变速系统 (一) TRANSMISSION I

Item No.	Parts Number	Parts Name(EN)	Qty	Specification
01	0GR0-061001	SECONDARY SHAFT, DRIVE	1	
02	0800-061002	WASHER 17.5x32x1	1	17.5x32x1
03	0180-061012	GASKET 20.5x30x1.5	3	20.5x30x1.5
04	0GR0-061200	DRIVEN GEAR, LOW RANGE	1	
05	0GR0-061006-10000	SLIDE GEAR	1	
06	0180-061007-0050	CIRCLIP 25	4	25
07	0GR0-060100	NEEDLE BEARING 20x25x12	4	20X25X12
08	0GR0-061005	GEAR, HIGHRANGE	1	
09	0GR0-061004-00001	OUTPUT DRIVE GEAR	1	
10	0GR0-061008	WASHER	3	
11	0GR0-061003	GEAR, REVERSE	1	
12	0GR0-061009-00001	WASHER 25x34x1.5	1	25x34x1.5
13	0GR0-061002	GEAR, PARKING	1	
14	0GR0-060001	MAIN SHAFT	1	
15	0JY0-060001-00001	NUT, MAIN DRIVE SHAFT	1	
16	0GR0-060002	REVERSE GEAR	1	
17	30801-02005	CIRCLIPS FOR SHAFT 20	1	20

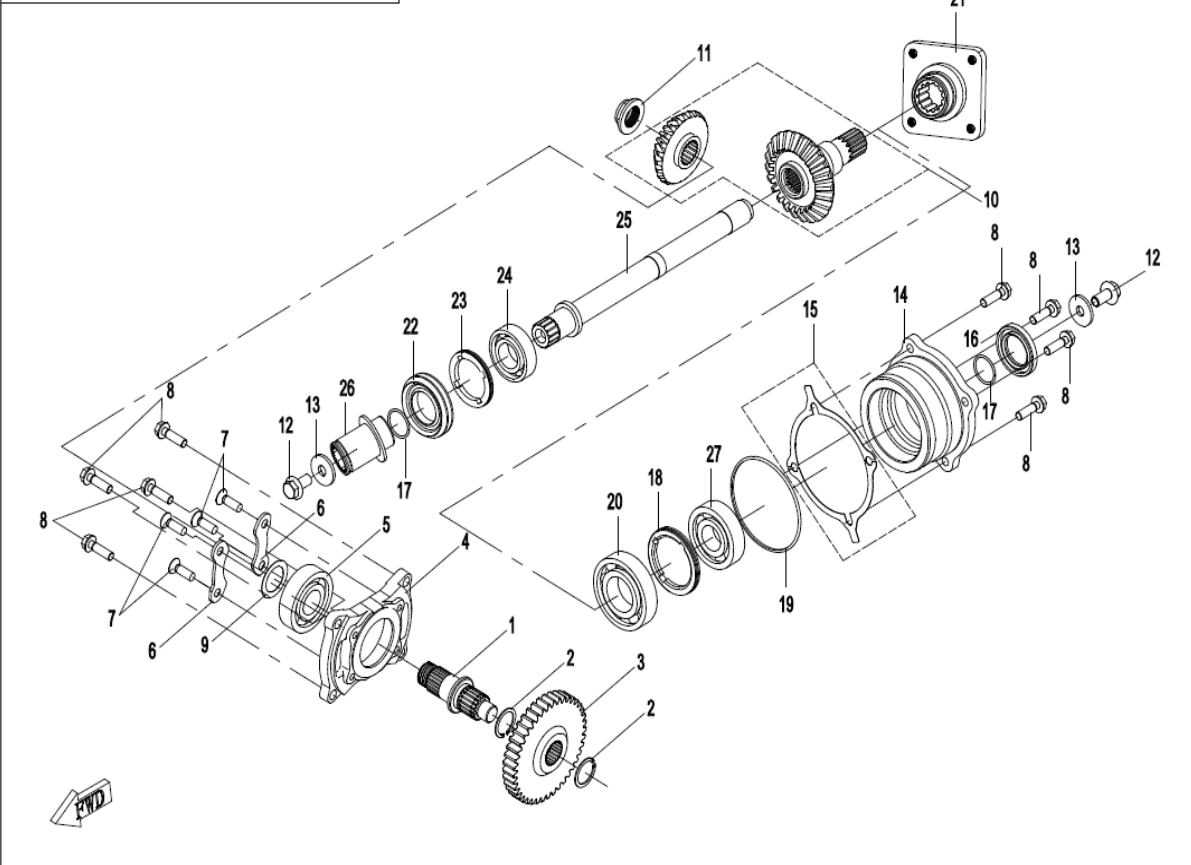
E06-2 换挡变速系统(2)/TRANSMISSION SYSTEM(2)



E06-2-A 换挡变速系统 (2,配连接盘) TRANSMISSION(2, FOR COUPLER)

Item No.	Parts Number	Parts Name(EN)	Qty	Specification
01	0180-062101	DRIVE BEVEL GEAR SHAFT	1	
02	0180-061007-0050	CIRCLIP 25	2	25
03	0180-062102-00001	OUTPUT DRIVEN GEAR	1	
04	0180-062103-10000	BEARING SEAT, DRIVE BEVEL GEAR	1	
05	30499-02501	BEARING	1	25
06	0180-062104-0010	LIMITATOR, BEARING	2	
07	30124-080025810	SCREW M8x25	4	M8x25
08	0110-060011-0010	BOLT M8x28	8	M8x28
09	0180-062105	ADJUSTING GASKET, DRIVE BEVEL GEAR T=0.15	1	T=0.15
09	0180-062105-0001	ADJUSTING GASKET, DRIVE BEVEL GEAR T=0.2	1	T=0.2
09	0180-062105-0002	ADJUSTING GASKET, DRIVE BEVEL GEAR T=0.25	1	T=0.25
09	0180-062105-0003	ADJUSTING WASHER, DRIVE SHAFT GEAR	1	t=0.3
09	0180-062105-0004	ADJUSTING WASHER, DRIVE SHAFT GEAR	1	t=0.35
10	0GR0-0622A0-10001	BEVEL GEAR ASSY	1	
11	0180-062107-00001	LOCK NUT, BEVEL GEAR	1	
12	0JWA-060002-00001	LOCK NUT, BEVEL GEAR	2	
13	0GR0-062204	WASHER 10x27.5x4	2	10x27.5x4
14	0800-062202-10001	DRIVEN BEVEL GEAR BEARING SEAT	1	
15	0800-062203	ADJUSTING GASKET, DRIVEN BEVEL GEAR T=0.1	1	T=0.1
15	0800-062203-0001	ADJUSTING GASKET, DRIVEN BEVEL GEAR T=0.2	1	T=0.2
15	0800-062203-0002	ADJUSTING GASKET, DRIVEN BEVEL GEAR T=0.3	1	T=0.3
15	0800-062203-0003	ADJUSTING GASKET, DRIVEN BEVEL GEAR T=0.4	1	T=0.4
15	0800-062203-0004	ADJUSTING GASKET, DRIVEN BEVEL GEAR T=0.5	1	T=0.5
16	0800-062204	OIL SEAL 35x50x7	1	35x50x7
17	0800-062205	O-SEAL RING 25x2	2	25x2
18	0800-062206	STOPPER NUT, BEARING	1	
19	0180-062205	O-SEAL RING 88x2.5	1	88x2.5
20	30400-03500	BEARING	1	35
21	0GR0-062202	COUPLER, REAR TRANSMISSION OUTPUT	1	
22	0JWA-062302	OIL SEAL 35x61x9(14)	1	35x61x9
23	0180-060008	BEARING RETAINER, FRONT OUTPUT SHAFT	1	
24	30400-02501	BEARING	1	25
25	0GR0-062301-10001	FRONT OUTPUT SHAFT ASSY	1	
26	0GR0-060003	COUPLER	1	
27	30400-02502	BEARING	1	CHINA

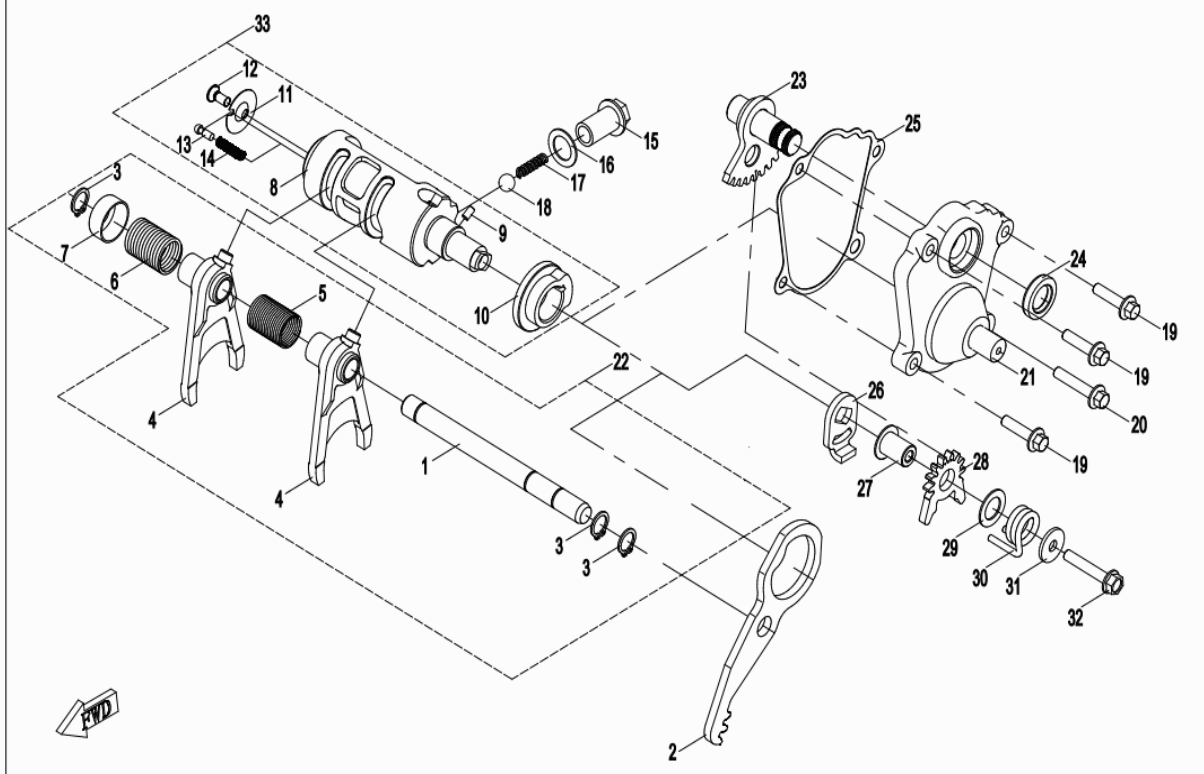
换挡变速系统 (2) / TRANSMISSION SYSTEM (2)



E06-2-B 换挡变速系统 (2,配输出套) TRANSMISSION(2,FOR SLEEVE)

Item No.	Parts Number	Parts Name(EN)	Qty	Specification
01	0180-062101	DRIVE BEVEL GEAR SHAFT	1	
02	0180-061007-0050	CIRCLIP 25	2	25
03	0180-062102-00001	OUTPUT DRIVEN GEAR	1	
04	0180-062103-10000	BEARING SEAT, DRIVE BEVEL GEAR	1	
05	30499-02501	BEARING	1	25
06	0180-062104-0010	LIMITATOR, BEARING	2	
07	30124-080025810	SCREW M8x25	4	M8x25
08	0JYA-062104	BOLT M8x28	8	M8x28
09	0180-062105-0001	ADJUSTING GASKET, DRIVE BEVEL GEAR T=0.2	1	T=0.2
09	0180-062105-0002	ADJUSTING GASKET, DRIVE BEVEL GEAR T=0.25	1	T=0.25
09	0180-062105-0003	ADJUSTING WASHER, DRIVE SHAFT GEAR	1	t=0.3
09	0180-062105-0004	ADJUSTING WASHER, DRIVE SHAFT GEAR	1	t=0.35
09	0180-062105	ADJUSTING GASKET, DRIVE BEVEL GEAR T=0.15	1	T=0.15
10	0GR0-0622A0-10001	BEVEL GEAR ASSY	1	
11	0180-062107-00001	LOCK NUT, BEVEL GEAR	1	
12	0JWA-060002-00001	LOCK NUT, BEVEL GEAR	2	
13	0GR0-062204	WASHER 10x27.5x4	2	10x27.5x4
14	0800-062202-10001	DRIVEN BEVEL GEAR BEARING SEAT	1	
15	0800-062203-0001	ADJUSTING GASKET, DRIVEN BEVEL GEAR T=0.2	1	T=0.2
15	0800-062203-0002	ADJUSTING GASKET, DRIVEN BEVEL GEAR T=0.3	1	T=0.3
15	0800-062203-0003	ADJUSTING GASKET, DRIVEN BEVEL GEAR T=0.4	1	T=0.4
15	0800-062203-0004	ADJUSTING GASKET, DRIVEN BEVEL GEAR T=0.5	1	T=0.5
15	0800-062203	ADJUSTING GASKET, DRIVEN BEVEL GEAR T=0.1	1	T=0.1
16	0800-062204	OIL SEAL 35x50x7	1	35x50x7
17	0800-062205	O-SEAL RING 25x2	2	25x2
18	0800-062206	STOPPER NUT, BEARING	1	
19	0180-062205	O-SEAL RING 88x2.5	1	88x2.5
20	30400-03500	BEARING	1	35
21	0GR0-062202	COUPLER, REAR TRANSMISSION OUTPUT	1	
22	0JWA-062302	OIL SEAL 35x61x9(14)	1	35x61x9
23	0180-060008	BEARING RETAINER, FRONT OUTPUT SHAFT	1	
24	30400-02501	BEARING	1	25
25	0GR0-062301-10001	FRONT OUTPUT SHAFT ASSY	1	
26	0GQ0-060100	FRONT OUTPUT BUSHING ASSY	1	
27	30400-02502	BEARING	1	CHINA

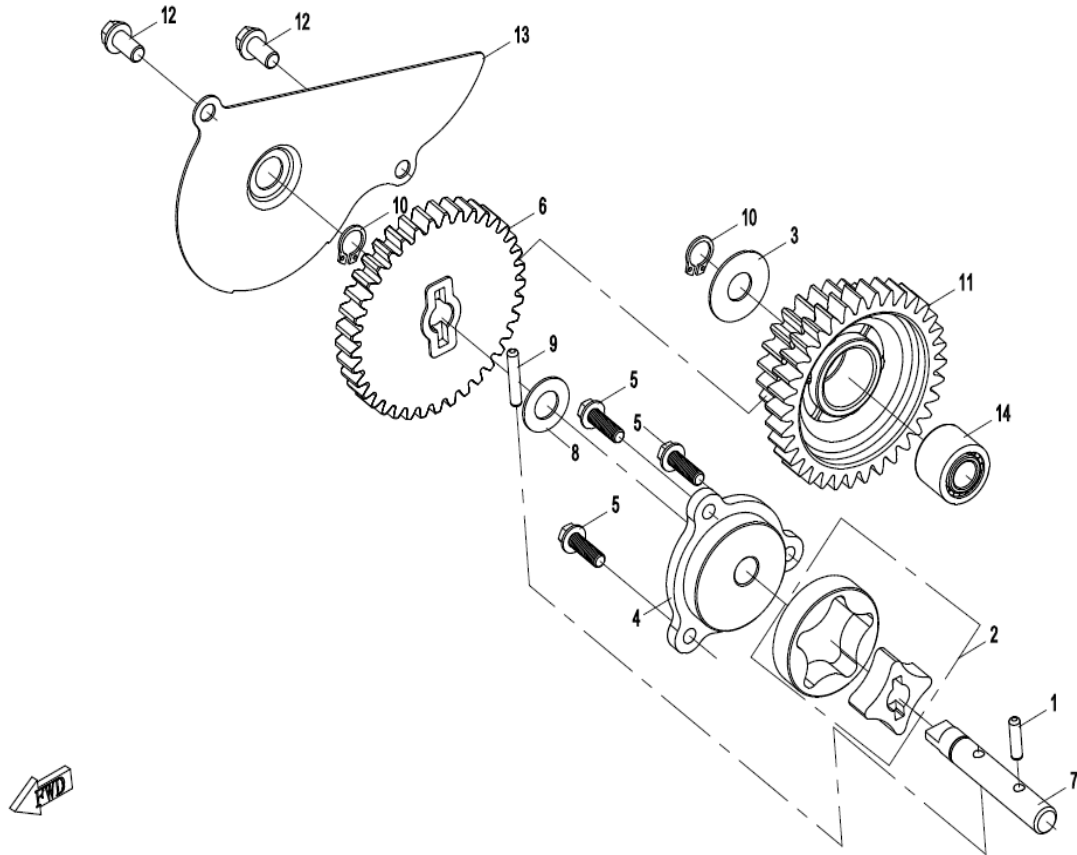
E06-3 换档变速系统 (III) / TRANSMISSION SYSTEM (III)



E06-3 换档变速总成(3) TRANSMISSION(3)

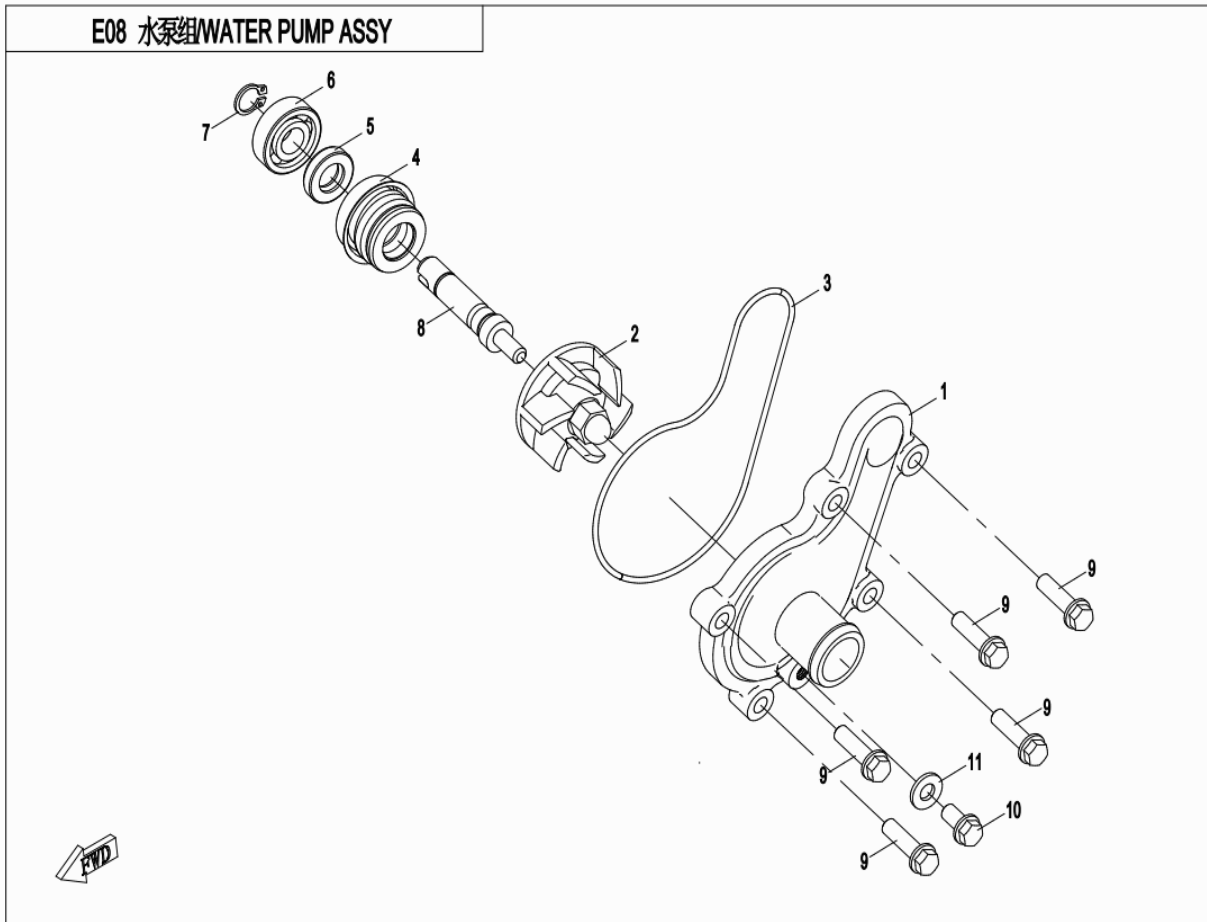
Item No.	Parts Number	Parts Name(EN)	Qty	Specification
01	0800-063002	SHAFT, SHIFT FORK	1	
02	0GR0-063002	SWING ARM, PARKING	1	
03	30801-01205	CIRCLIPS FOR SHAFT12	3	12
04	0GR0-063001	SHIFT FORK	2	
05	0180-063003-0050	FORK SPRING, THIN	1	
06	0180-063005-0050	FORK SPRING, THICK	1	
07	0180-063006-0010	SPRING SEAT	1	
08	0GR0-064001	SHIFT DRUM	1	
09	0800-064002	PIN SHAFT	1	
10	0GR0-064002	CAM, PARKING	1	
11	0180-064001-0010	LIMIT GASKET	1	
12	0180-064002-00001	LOCK SCREW T25	1	
13	0180-064003-0050	GEAR CONTACTOR	1	
14	0180-064004-0050	SPRING, GEAR CONTACTOR	1	
15	0180-068001-00100	HOLLOW BOLT M14x1.5	1	M14x1.5
16	0180-068002	GASKET 14.4x22x1	1	14.4x22x1
17	0180-068003-0050	SPRING, LIMIT	1	
18	3120003	STEEL BALL3/8	1	3/8"
19	0010-021017-0010	BOLT M6x25	3	M6x25
20	0010-080012-0010	BOLT M6x32	1	M6x32
21	0800-065001-20000	GEARSHIFT COVER	2	
22	0GR0-0630A0	SHIFT FORK ASSY	1	
23	0180-065100-10001	SHIFT DRIVE SECTOR GEAR	1	
23	0180-065100-10002	DRIVE SECTOR GEAR	1	
24	0180-065002	OIL SEAL SD15x25x5	1	SD15x25x5
25	0GR0-065003	METAL GASKET, SECTOR GEAR	1	
26	0180-065201-0010	WASHER, DRIVEN SECTOR GEAR	1	
27	0180-065202-0050	SHAFT, DRIVEN SECTOR GEAR	1	
28	0180-065203	DRIVEN SECTOR GEAR	1	
29	0180-065204-0050	GASKET 13.5x22x1	1	13.5x22x1
30	0180-065205-0010	TORSION SPRING, DRIVEN SECTOR	1	
31	0180-065206-00001	WASHER 6.2x22x2	1	
32	0010-013008-0010	BOLT M6x35	1	M6x35
33	0GR0-064000	SHIFT DRUM ASSY	1	

E07 机油泵组/OIL PUMP ASSY



E07 机油泵组 OIL PUMP ASSY

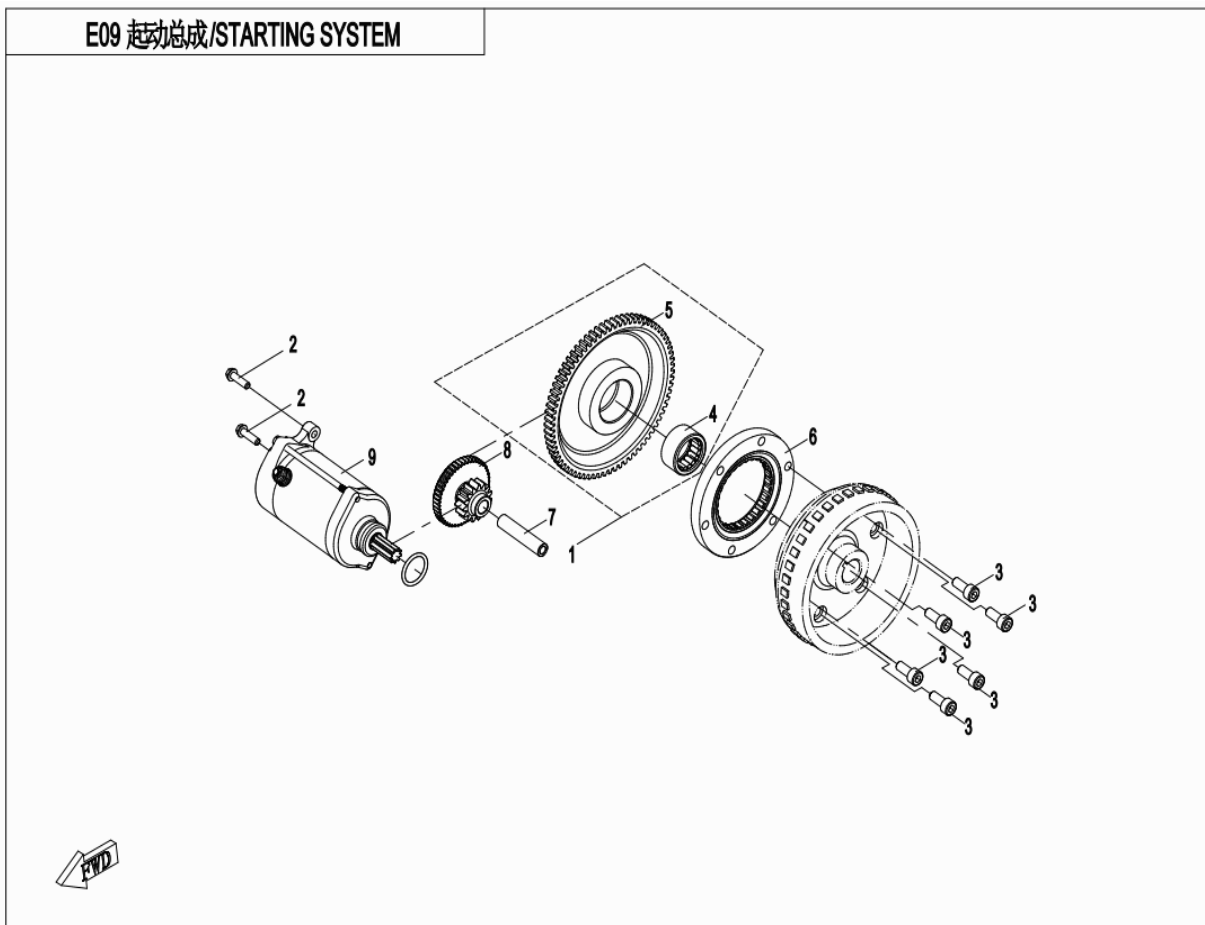
Item No.	Parts Number	Parts Name(EN)	Qty	Specification
01	30406-00400	ROLLER NEEDLE P4x15.8	1	P4x15.8
02	0GR0-0700A0	ROTOR ASSY, OIL PUMP	1	
03	0A80-050004	WASHER	1	
04	0800-070003	COVER, OIL PUMP	1	
05	0010-030002-0020	BOLT M5x16	3	M5x16
06	0GR0-070004	DRIVE GEAR, OIL PUMP	1	
07	0GR0-070003	SHAFT, OIL PUMP	1	
08	0800-011005	WASHER 10	1	10
09	30406-00402	ROLLER NEEDLE P4x21.8	1	P4x21.8
10	30801-01005	CIRCLIPS FOR SHAFT10	2	10
11	0GR0-070005	DUAL GEAR, OIL PUMP	1	
12	0010-021019-0010	BOLT M6x12	2	M6x12
13	0GR0-070006	OIL GUARD	1	
14	0GR0-070100	NEEDLE BEARING 10x22x16	1	10X22X16



E08 水泵组 WATER PUMP ASSY

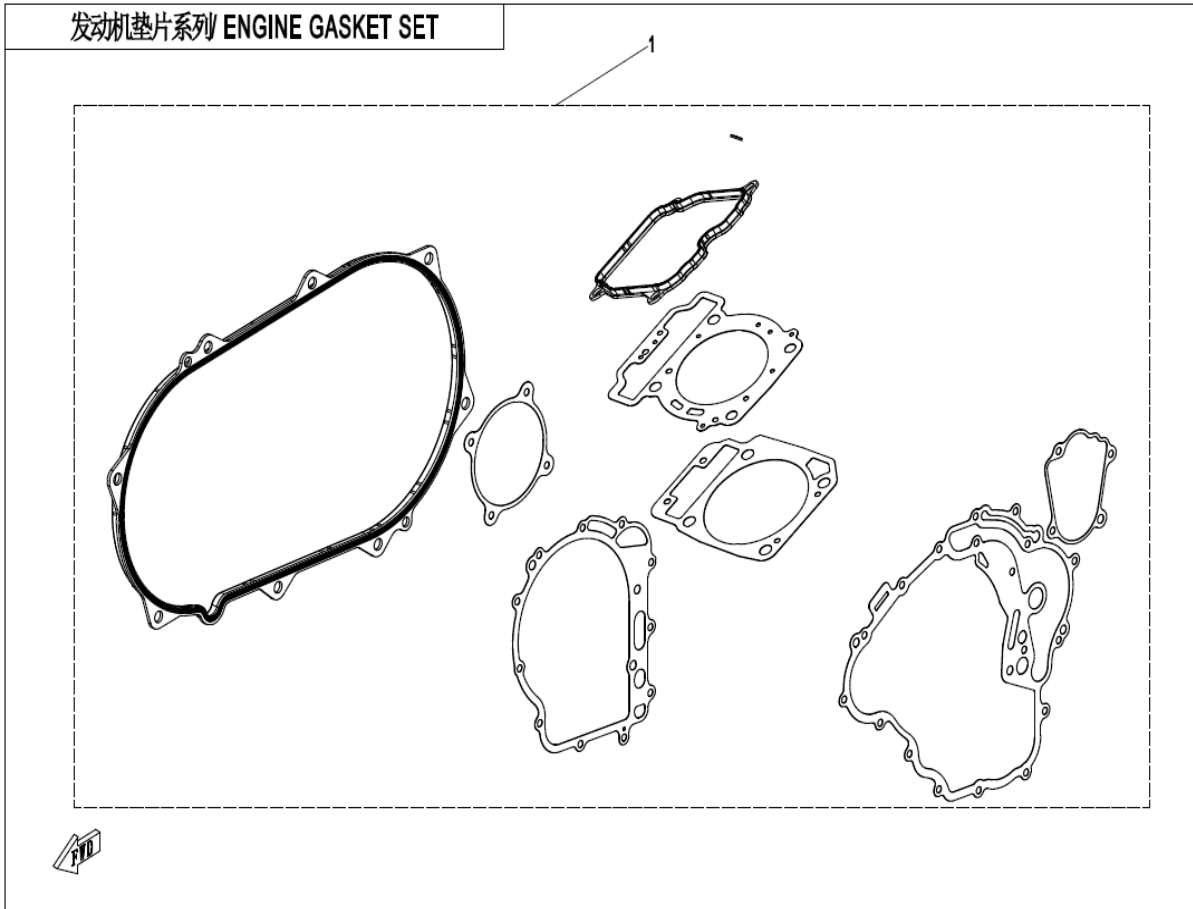
Item No.	Parts Number	Parts Name(EN)	Qty	Specification
01	0GRB-080001	WATER PUMP COVER	1	
02	0180-081001-00001	IMPELLER, WATER PUMP.	1	
03	0GR0-080002	SEAL RING, WATER PUMP	1	
04	0700-081200	WATER SEAL ASSY	1	
05	0110-080005	OIL SEAL 10x20x5	1	10x20x5
06	30400-01000	BEARING	1	6000
07	30801-01005	CIRCLIPS FOR SHAFT10	1	10
08	0180-081004-0050	WATER PUMP SHAFT	1	
09	0010-080013-0010	BOLT M6x22	5	M6x22
10	0010-021019-0010	BOLT M6x12	1	M6x12
11	0010-060009	WASHER 6	1	6

E09 启动总成/STARTING SYSTEM



E09 启动系统 STATER MOTOR

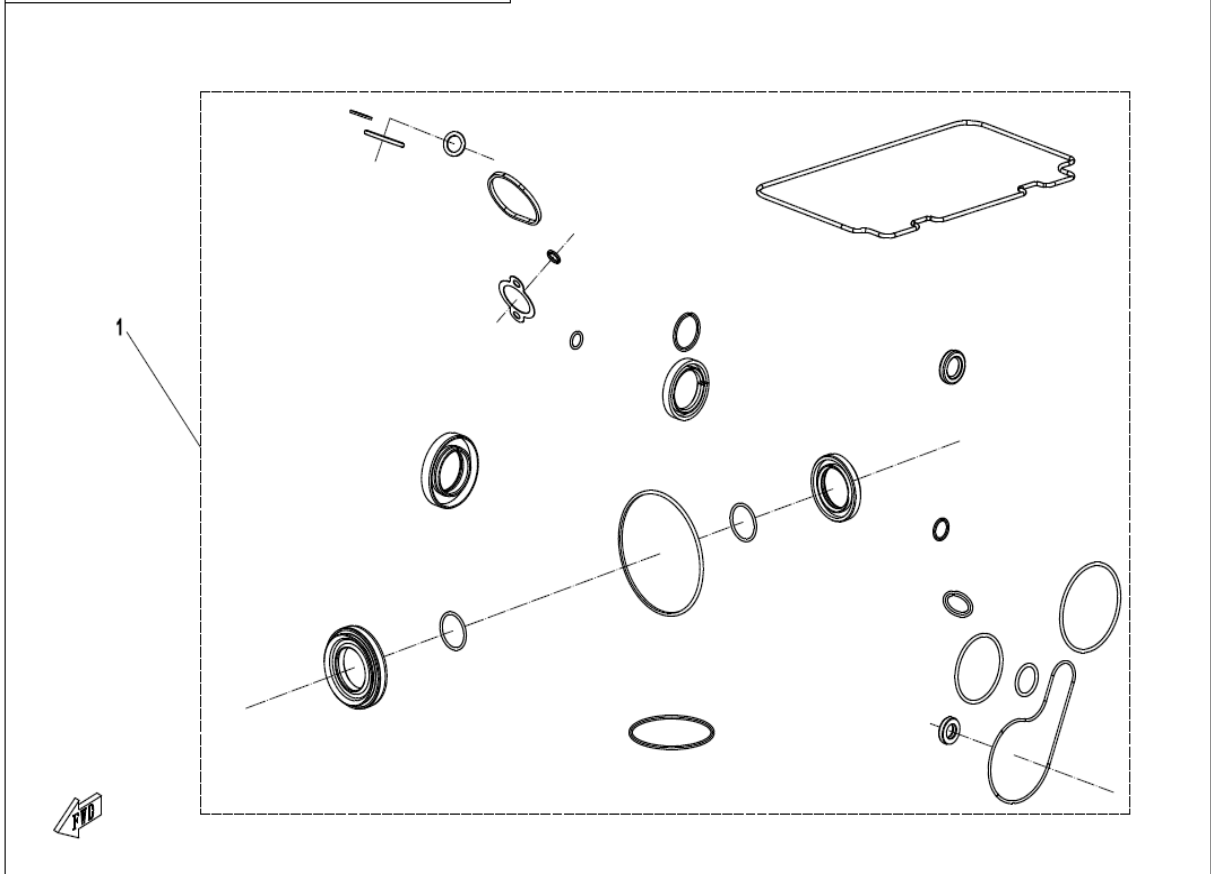
Item No.	Parts Number	Parts Name(EN)	Qty	Specification
01	0180-0910A0	DRIVEN GEAR ASSY, STARTER	1	
01	0180-0910A0-00001	DRIVEN GEAR ASSY	1	
02	0010-080013-0010	BOLT M6x22	2	M6x22
03	30102-080020820	INNER HEX SCREW M8x20	6	M8x20
04	30401-02800	NEEDLE BEARING	1	
05	0180-091001	DRIVEN GEAR	1	
06	0180-091200	OVERRIDING CLUTCH	1	
07	0180-091006	AXLE, DUAL GEAR	1	
08	0GR0-091002	STARTER DUAL GEAR	1	
09	0GR0-091100	STARTING MOTOR	1	
09	0GSV-093000-1100	START MOTOR	1	



E29 发动机垫片系列 ENGINE GASKET KIT

Item No.	Parts Number	Parts Name(EN)	Qty	Specification
01	0GS0-0000A0	GASKET KIT, ENGINE	1	
01	0GS0-0000A0-00001	GASKET KIT, ENGINE	1	

发动机油封及O型圈/ ENGINE OIL SEAL&O-RING



E30 发动机油封及O型圈 ENGINE OIL SEAL &O-RING

Item No.	Parts Number	Parts Name(EN)	Qty	Specification
01	0GS0-0000A1	OIL SEAL & O-SEAL RING KIT, ENGINE	1	