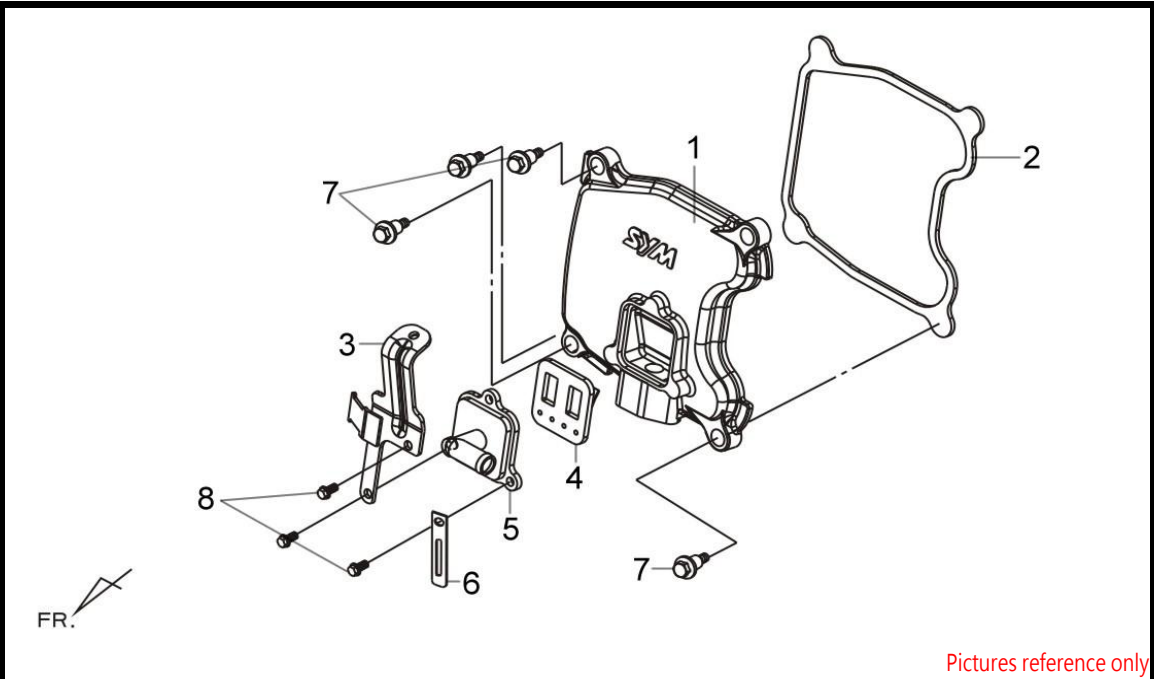


E01

MAXSYM 600I

CYLINDER HEAD COVER

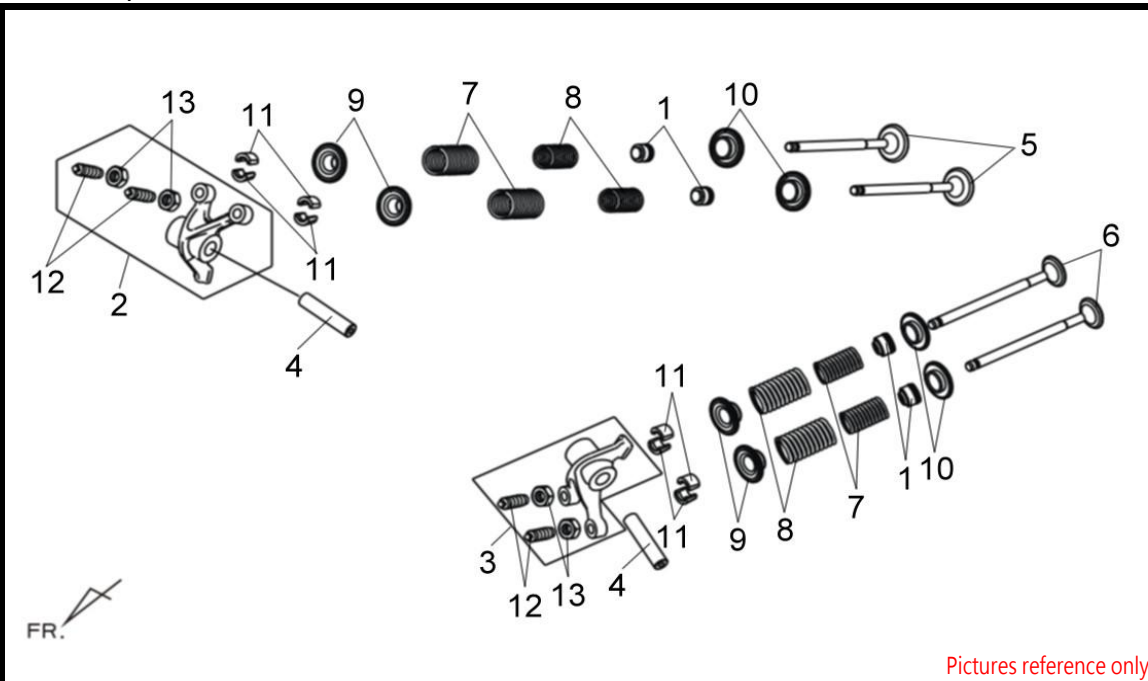


Pictures reference only

NO	PARTS NUMBER	DESCRIPTION	QTY	EFFECTIVE DATE
1.0	12301-REA-000	CYLINDER HEAD COVER	1	
2.0	12391-REA-000	HEAD COVER PACKING	1	
3.0	15714-L6C-000	AIR BOX STAY A COMP	1	
4.0	18610-REA-000	REED VALVE COMP	1	
5.0	18611-L6C-000	REED VALVE COVER COMP	1	
6.0	50130-X04-000	CLIP 2X7	1	
7.0	90002-HMA-000	CYLINDER HEAD COVER BOLT	4	
8.0	96001-06016-00	FLANGE BOLT SH 6X16	3	

E02
IN.VALVE/EX.VALVE

MAXSYM 600I

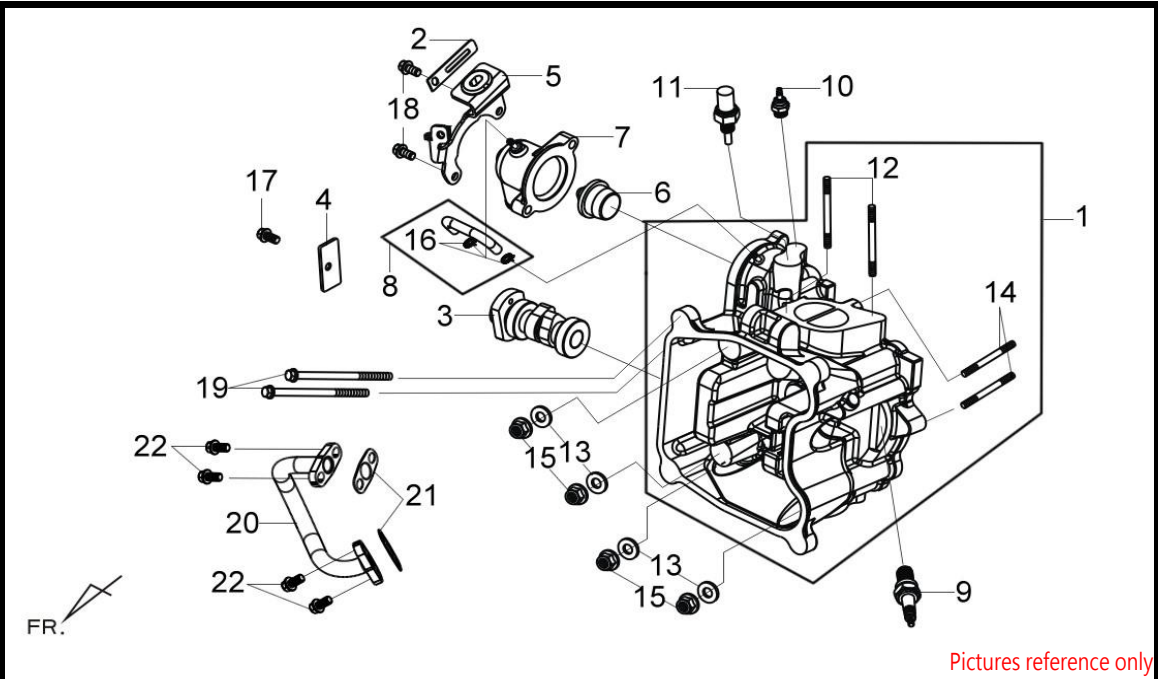


Pictures reference only

NO	PARTS NUMBER	DESCRIPTION	QTY	EFFECTIVE DATE
1.0	12209-H6B-900	VALVE STEM SEAL	4	
2.0	1443A-L6C-000	IN. VALVE ROCKER ARM ASSY	1	
3.0	1444A-L6C-000	EX. VALVE ROCKER ARM ASSY	1	
4.0	14451-REA-000	ROCKER ARM SHAFT	2	
5.0	14711-L6C-000	IN. VAIVE	2	
6.0	14721-L6C-000	EX. VAIVE	2	
7.0	14751-REA-000	VALVE OUTER SPG.	4	
8.0	14761-REA-000	VALVE INNER SPG.	4	
9.0	14771-M8Q-000	VALVE SPRING RETAINER	4	
10.0	14777-REA-000	VALVE SPRING SEAT	4	
11.0	14781-M9Q-000-A	VALVE COTTER SET(1SET/4PCS)	8	
12.0	90012-HLK-000	TAPPET ADJUSTING SCREW	4	
13.0	90206-HLK-000	TAPPET ADJUSTING NUT	4	

E03
CYLINDER COMP.

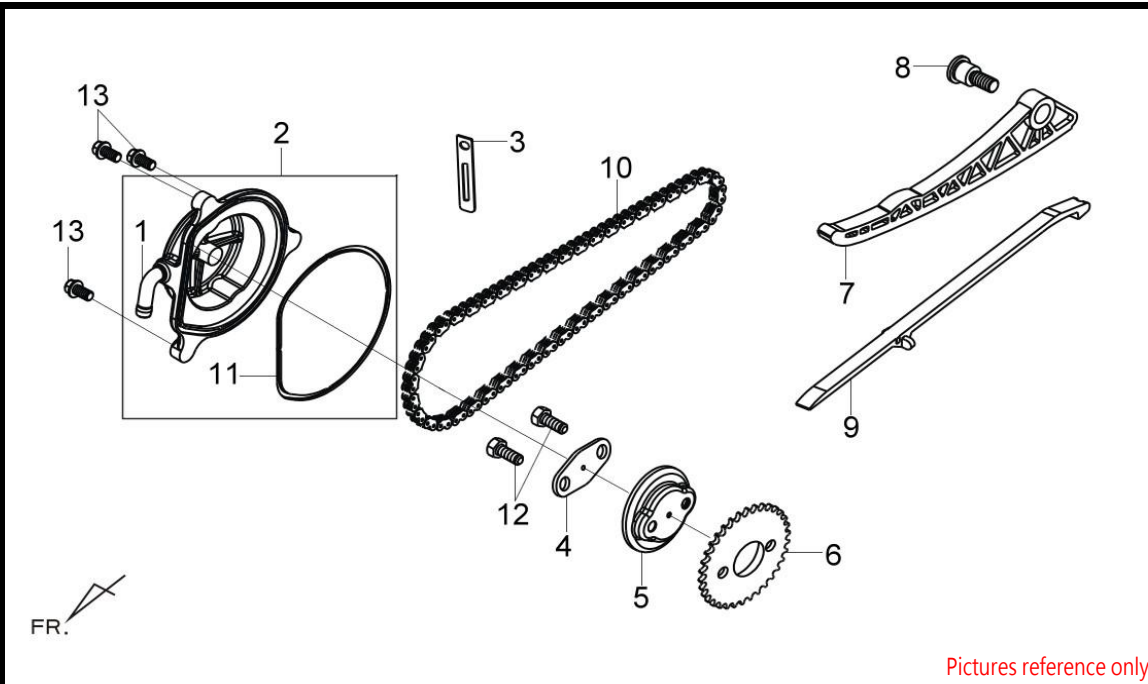
MAXSYM 600I



NO	PARTS NUMBER	DESCRIPTION	QTY	EFFECTIVE DATE
1.0	12200-L6C-000	CYLINDER HEAD COMP	1	
2.0	12342-X01-000	CLAMP	1	
3.0	14100-REA-000	CAM SHAFT COMP	1	
4.0	14457-REA-000	CAM SHAFT SETTING PLATE	1	
5.0	1571A-L6C-000	AIR BOX STAY B COMP	1	
6.0	1930A-L6C-000	THERMOSTAT ASSY	1	
7.0	19315-L6C-000	THERMOSTAT COVER	1	
8.0	19320-HTA-000	THERMOSTAT CASE TUBE ASSY	1	
9.0	1PCR8E	PLUG CR8E	1	
10.0	37750-PC1-004	THERMO UNIT ASSY	1	
11.0	37880-HMC-000	TW SENSOR	1	
12.0	90034-HMA-000	SPECIAL STUD BOLT 8*40	2	
13.0	90442-REA-000	SEALING WASHER 8MM	4	
14.0	92900-06040-0B	STUD BOLT 6X40	2	
15.0	94050-10080	FLANGE NUT 10MM	4	
16.0	95002-40730-08	TUBE CLAMP D7.3	2	
17.0	96001-06016-00	FLANGE BOLT SH 6X16	1	
18.0	96001-06025-00	FLANGE BOLT SH 6X25	2	
19.0	96001-06105-00	FLANGE BOLT SH 6X105	2	
20.0	18647-REA-000	AIR PIPE COMP	1	
21.0	18654-REA-000	AIR PIPE GASKET	2	
22.0	96001-06018-00	FLANGE BOLT SH 6X18	4	

E04
CYL. HEAD SIDE COVER

MAXSYM 600I

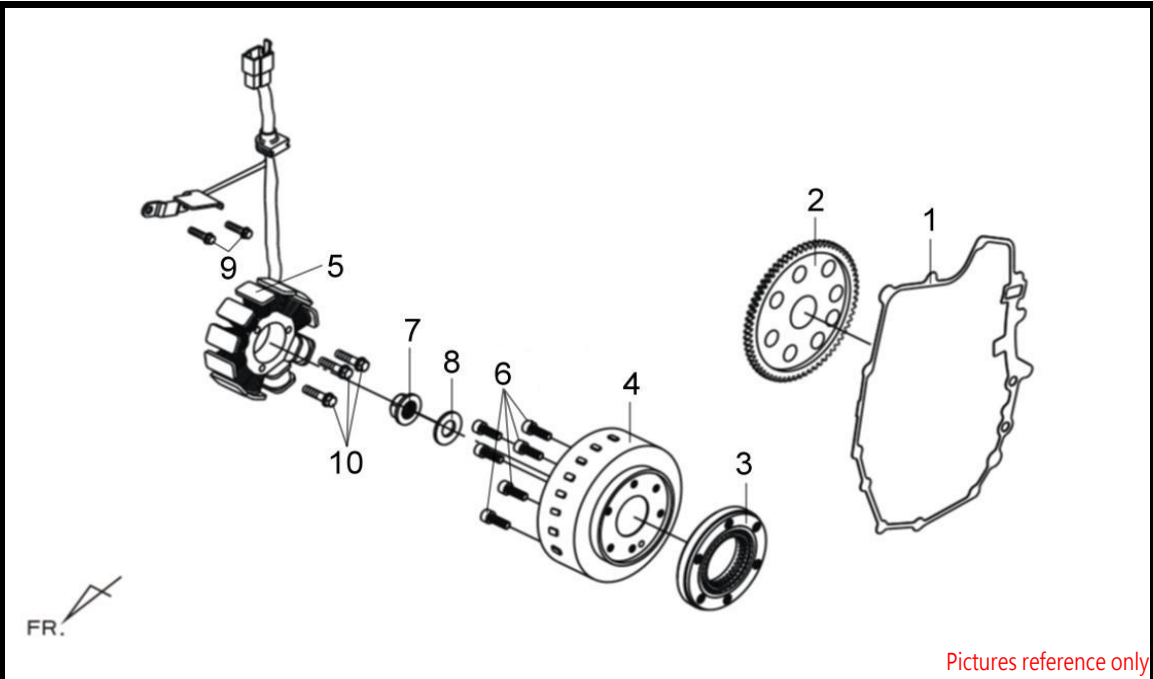


Pictures reference only

NO	PARTS NUMBER	DESCRIPTION	QTY	EFFECTIVE DATE
1.0	12305-F6A-300	BREATHER JOINT	1	
2.0	1231A-L6C-000	CYLINDER HEAD SIDE COVER ASSY	1	
3.0	12342-L6C-000	A.I.S.V. TUBE STAY COMP	1	
4.0	14105-REA-000	CAM SPROCKET WASHER	1	
5.0	14108-REA-000	CENTRIFUGAL DISK	1	
6.0	14321-REA-000	CAM SPROCKET	1	
7.0	14510-REA-000	CAM CHAIN TENSIONER	1	
8.0	14531-REA-000	CAM CHAIN TENSIONERPIVOT	1	
9.0	14610-REA-000	CAM CHAIN GUIDE	1	
10.0	1C14401-REA-000	CAM CHAIN(D.I.D) 116L	1	
11.0	91301-L6C-000	HEAD R. SIDE COVER O-RING	1	
12.0	92101-06016-0H	HEX BOLT 6*16	2	
13.0	96001-06018-00	FLANGE BOLT SH 6X18	3	

E05
A.C.G. ASSY

MAXSYM 600I

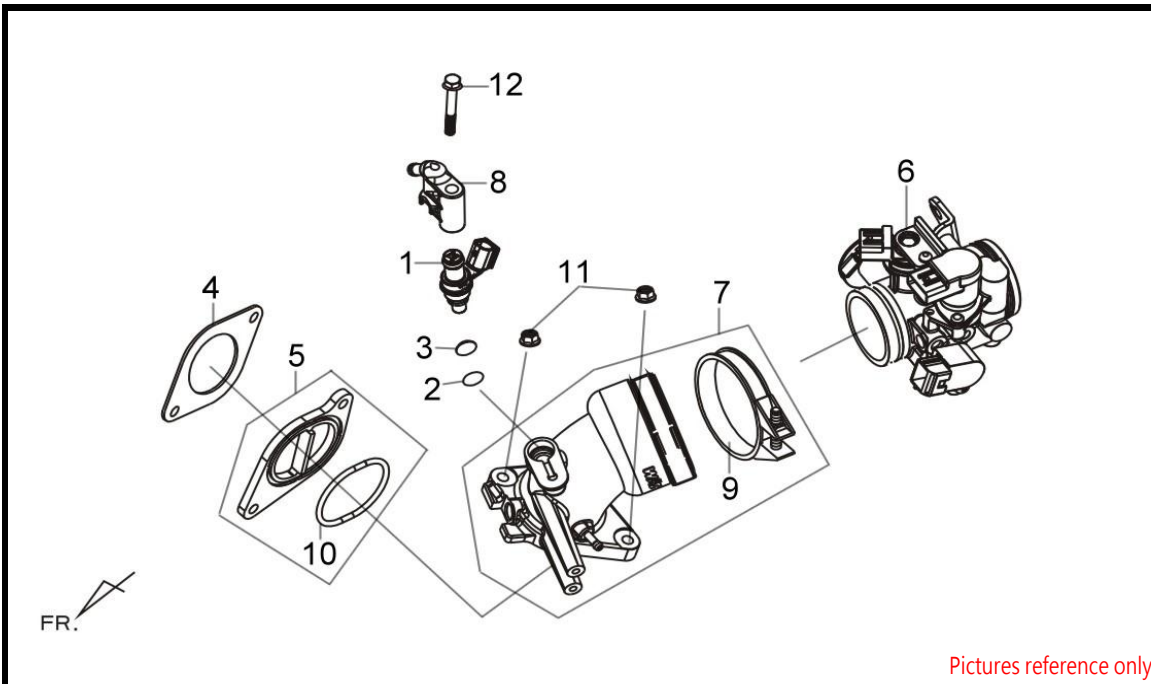


Pictures reference only

NO	PARTS NUMBER	DESCRIPTION	QTY	EFFECTIVE DATE
1.0	11394-L6C-000	R. COVER GASKET	1	
2.0	28110-L6C-000	STARTING CLUTCH GEAR COMP	1	
3.0	2812A-L6C-000	ONE WAY CLUTCH ASSY	1	
4.0	31110-L6C-010	FLYWHEEL COMP	1	
5.0	31120-L6C-000	STATOR COMP	1	
6.0	90002-L6C-000	SOCKET BOLT 6X20	6	
7.0	90201-KR8-751-M1	FLANGE NUT 14MM	1	
8.0	90401-KJ9-000	THRUST WASHER 14X28X2	1	
9.0	92101-05016-0H	HEX BOLT 5*16	2	
10.0	96001-06030-00	FLANGE BOLT SH 6X30	3	

E06
INLET PIPE ASSY

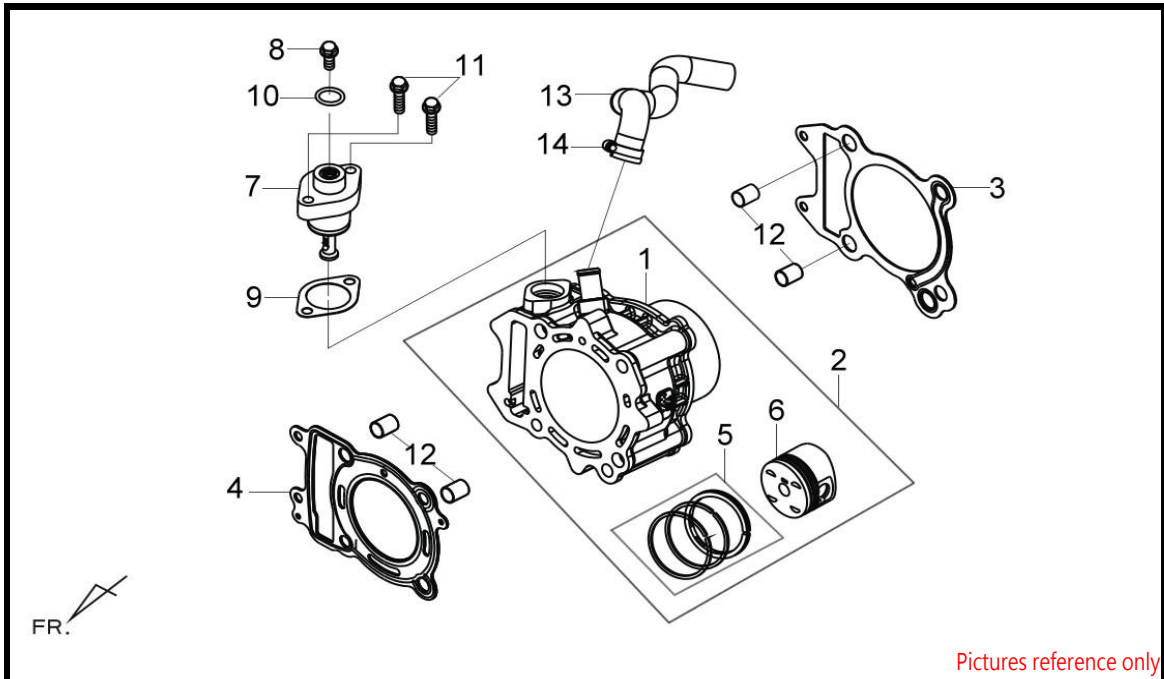
MAXSYM 600I



NO	PARTS NUMBER	DESCRIPTION	QTY	EFFECTIVE DATE
1.0	06414-L6C-000	FUEL INJECTOR	1	
2.0	06415-HNS-000	O-RING	1	
3.0	06416-HNS-000	SEAL-RING	1	
4.0	16201-L6C-000	INSULATOR GASKET	1	
5.0	1621A-L6C-000	INSULATOR ASSY	1	
6.0	16401-L6C-000	THROTTLE BODY ASSY	1	
7.0	1711A-L6C-000	INLET PIPE ASSY	1	
8.0	17120-L4A-000	FUEL INJECTOR CAP	1	
9.0	90652-L4A-000	AIR/C CONN. TUBE BAND 58	1	
10.0	91304-REA-000	INLET PIPE O-RING	1	
11.0	94050-06000	FLANGE NUT 6MM	2	
12.0	96001-06050-00	FLANGE BOLT SH 6X50	1	

E07
CYLINDER SET

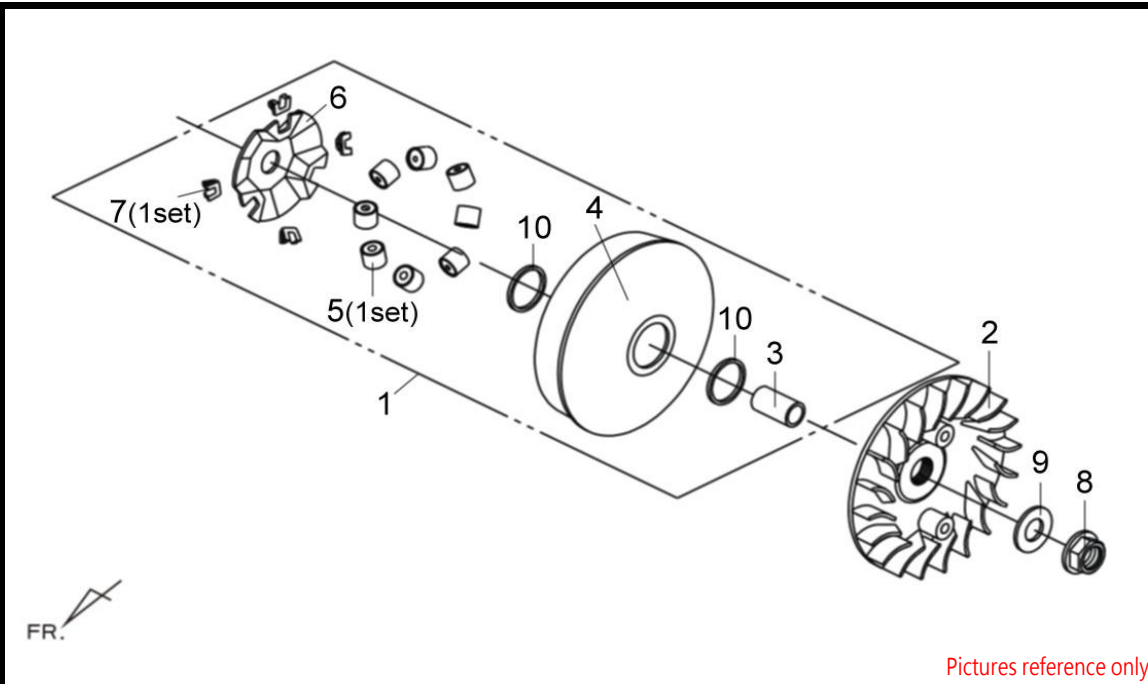
MAXSYM 600I



NO	PARTS NUMBER	DESCRIPTION	QTY	EFFECTIVE DATE
1.0	1210S-REA-000	CYLINDR ASSY	1	
2.0	12100-REA-000-A	CYLINDER SET	1	
3.0	12191-REA-000	CYLINDER GASKET	1	
4.0	12251-REA-000	CYLINDER HEAD GASKET	1	
5.0	13010-L6C-000	PISTON RING SET	1	
6.0	13101-L6C-000	PISTON	1	
7.0	14520-H6T-000	TENSIONER LIFTER	1	
8.0	14522-H6T-000	TENSIONER ADJUSTER BOLT	1	
9.0	14523-M9Q-000	TENSIONER LIFTER GASKET	1	
10.0	14524-H6T-000	OIL-RING	1	
11.0	90001-M9Q-000	FLANGE SHF BOLT 6X22	2	
12.0	94301-14200	DOWEL PIN 14X20	4	
13.0	19502-L6C-000	WATER HOSE 19X26	1	
14.0	19505-REA-000	HOSE CLAMP	1	

E08
MOVABLE DRIVE FACE

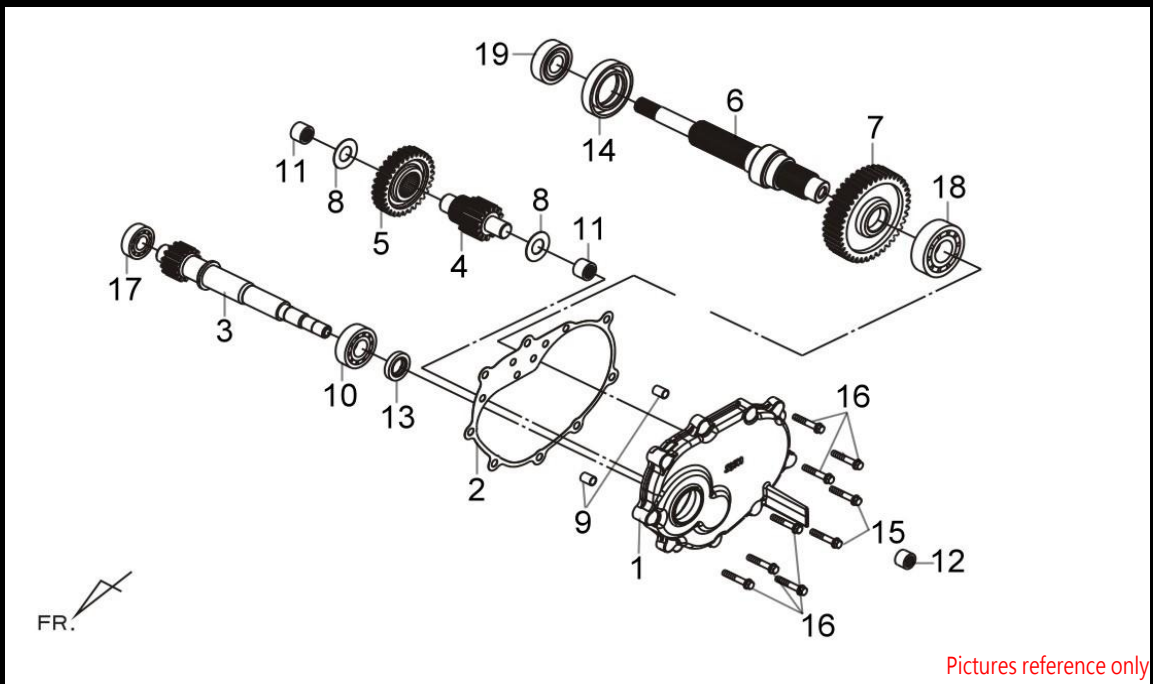
MAXSYM 600I



NO	PARTS NUMBER	DESCRIPTION	QTY	EFFECTIVE DATE
1.0	22000-L6C-000	MOVABLE DRIVE FACE ASSY	1	
2.0	22102-L6C-000	DRIVE FACE	1	
3.0	22105-L6C-000	DRIVE FACE BOSS	1	
4.0	22110-L6C-000	MOVABLE DRIVE FACE COMP	1	
5.0	22121-L6C-000-A	WEIGHT ROLLER(8PCS/1SET)	1	
6.0	22131-L6C-000	RAMP PLATE	1	
7.0	22132-L6C-000-A	SLIDE PIECE(4PCS/1SET)	1	
8.0	90202-REA-000	LOCK NUT 20MM	1	
9.0	90401-KJ9-000	THRUST WASHER 14X28X2	1	
10.0	91204-REA-000	OIL SEAL 36*48*4	2	

E09
MISSION COVER

MAXSYM 600I

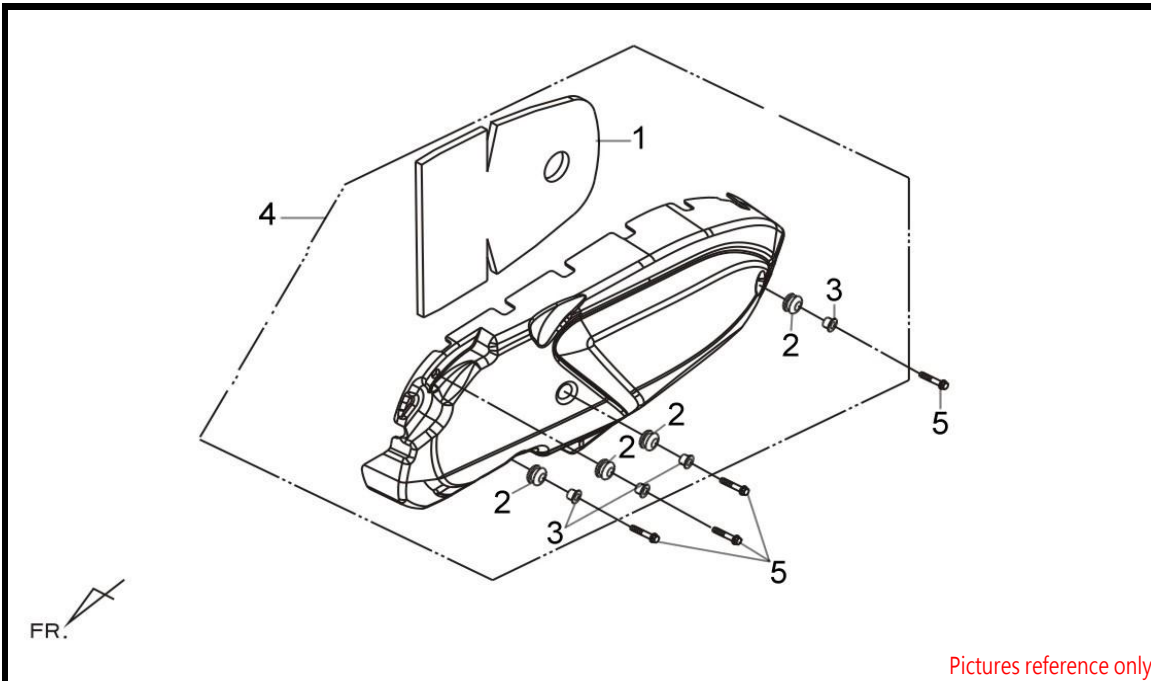


Pictures reference only

NO	PARTS NUMBER	DESCRIPTION	QTY	EFFECTIVE DATE
1.0	21201-L6C-000	MISSION COVER	1	
2.0	21395-L6C-000	MISSOIN COVER GASKET	1	
3.0	23411-L6C-000	DRIVE SHAFT	1	
4.0	23421-L6C-000	COUNTER SHAFT	1	
5.0	23422-L6C-000	COUNTER GEAR	1	
6.0	23431-L6C-000	FINAL SHAFT	1	
7.0	23432-L6C-000	FINAL GEAR	1	
8.0	90402-L6C-000	WASHER 22X40X1.5	2	
9.0	90703-M8Q-000	DOWEL PIN 10X14	2	
10.0	91001-X06-911-M1	RAD. BALL BRG. CSB305C	1	
11.0	91003-L6C-000	NEEDLE BRG. NK 22/20R	2	
12.0	91006-L4A-300	NEEDLE BREAING HKS25*33*18	1	
13.0	91204-HMA-000	OIL SEAL	1	
14.0	91204-L4A-000	OIL SEAL TC 45*65*10	1	
15.0	95701-08030-00	FLANGE BOLT 8X30	2	
16.0	95801-08035-08	FLANGE BOLT M8*35	7	
17.0	96100-63040-00	RADIAL BALL BRG.6304	1	
18.0	96100-63053-00	RAPIAL BALL BRG 6305	1	
19.0	96150-62060-10	RADIAL BALL BRG.6206LLU/2AS	1	

E10
L OUTER COVER

MAXSYM 600I



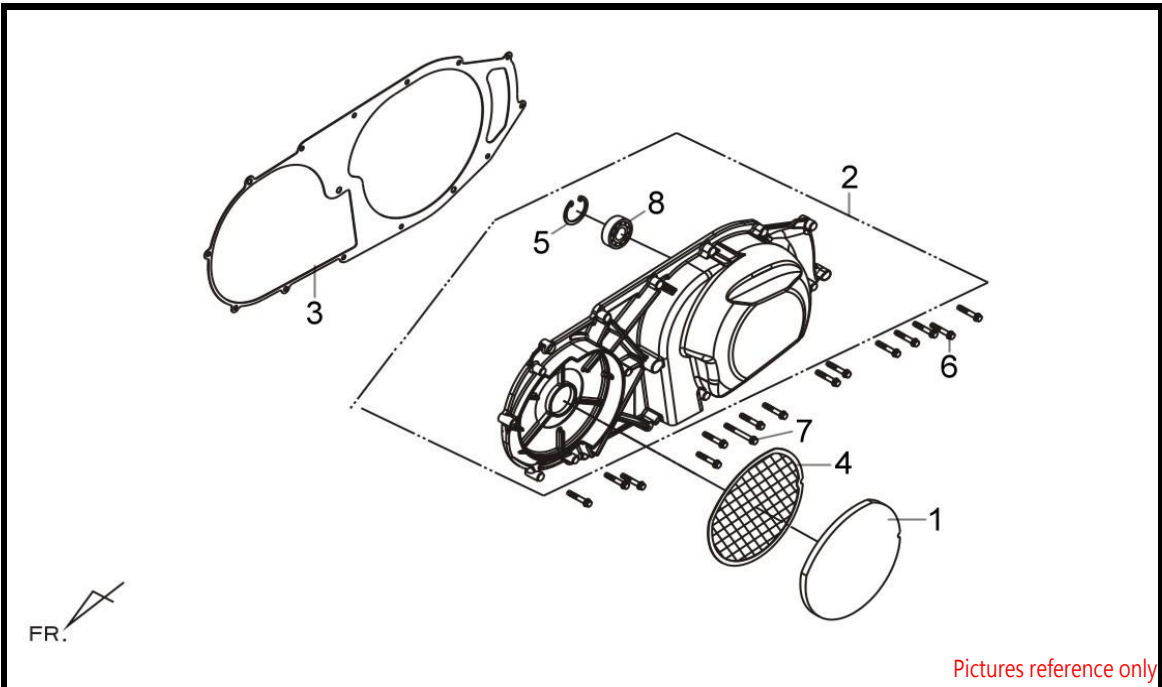
Pictures reference only

NO	PARTS NUMBER	DESCRIPTION	QTY	EFFECTIVE DATE
1.0	11352-L6C-000	L. OUTER COVER SPONGE	1	
2.0	11354-H3A-000	MOUNT RUBBER	4	
3.0	11356-H3A-000	COLLAR	4	
4.0	1135A-L6C-000	L. OUTER COVER ASSY(BK-001U)	1	
5.0	96001-06022-00	FLANGE BOLT SH 6X22	4	

E11

MAXSYM 600I

L. CRANK CASE COVER

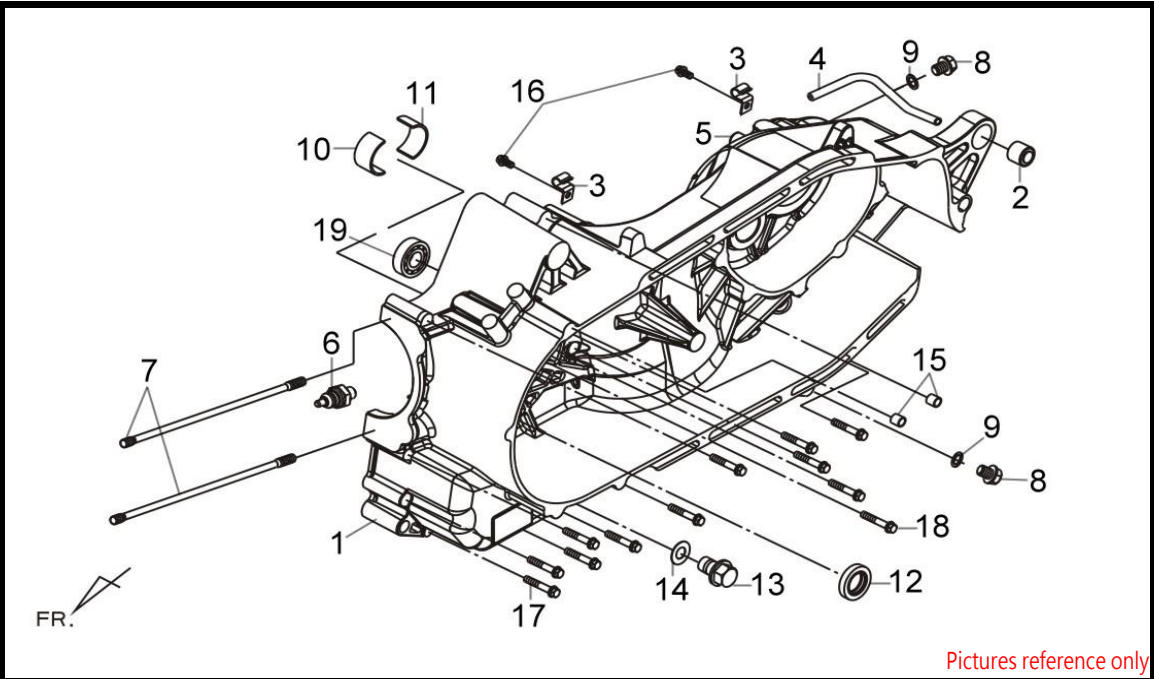


NO	PARTS NUMBER	DESCRIPTION	QTY	EFFECTIVE DATE
1.0	11344-L6C-000	L. CVOER ELEMENT	1	
2.0	1134A-L6C-000	L. CRANK CASE COVER ASSY	1	
3.0	11395-L6C-000	L. COVER GASKET	1	
4.0	17221-L6C-000	TRAP COMP	1	
5.0	94520-55000	CIRCLIP IN 55	1	
6.0	96001-06035-00	FLANGE SH BOLT 6X35	14	
7.0	96001-06060-00	FLANGE BOLT SH 6X60	1	
8.0	96150-60060-10	RADIAL BALL BEARING 6006LLU	1	

E12

MAXSYM 600I

L CRANK CASE COMP

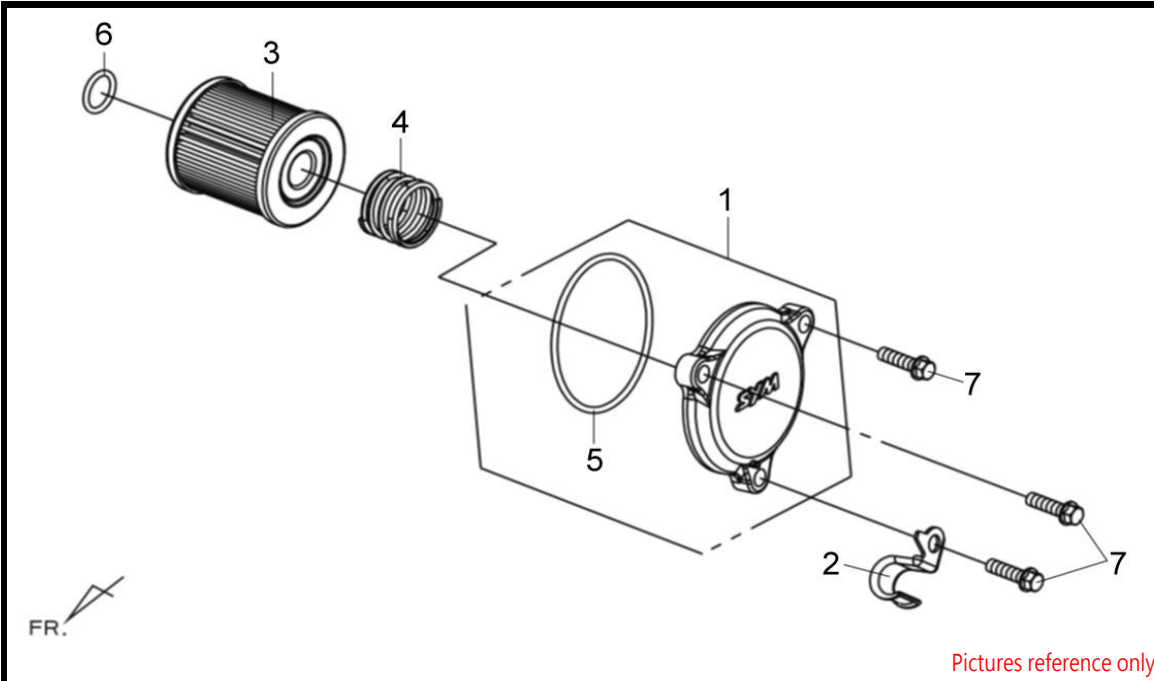


Pictures reference only

NO	PARTS NUMBER	DESCRIPTION	QTY	EFFECTIVE DATE
1.0	11200-L6C-000	L. CRANK CASE COMP	1	
2.0	11203-L4A-000	RR.CUSH UND BUSH RUBBER	1	
3.0	11205-L4C-000	TUBE CLAMPER	2	
4.0	1122A-L4A-000	MISSION BREATHER TUBE ASSY	1	
5.0	12305-F6A-300	BREATHER JOINT	1	
6.0	37240-L4A-000	OIL PRESSURE SW ASSY	1	
7.0	90031-REA-000	CYLINDER STUD BOLT A M11*240	2	
8.0	90035-KZ1-000	OIL LEVEL CHECK BOLT	2	
9.0	90481-M9Q-100	PLAIN WASHER 10.2MM	2	
10.0	91001-REA-300	MAIN RBG.UP(40*44*20)	1	
11.0	91002-REA-300	MAIN RBG.LWR(40*44*20)	1	
12.0	91209-L4A-000	OIL SEAL TC 35*55*7.5	1	
13.0	92800-12000	DRAIN PLUG BOLT 12MM	1	
14.0	94109-12000	DRAIN PLUG WASHER 12MM	1	
15.0	94301-08140	DOWEL PIN 8X14	2	
16.0	96001-06012-00	FLANGE BOLT SH 6X12	2	
17.0	96001-06060-00	FLANGE BOLT SH 6X60	8	
18.0	96001-06065-00	FLANGE BOLT SH 6X65	4	
19.0	96100-63053-00	RAPIAL BALL BRG 6305	1	

E13
OIL FILTER COVER

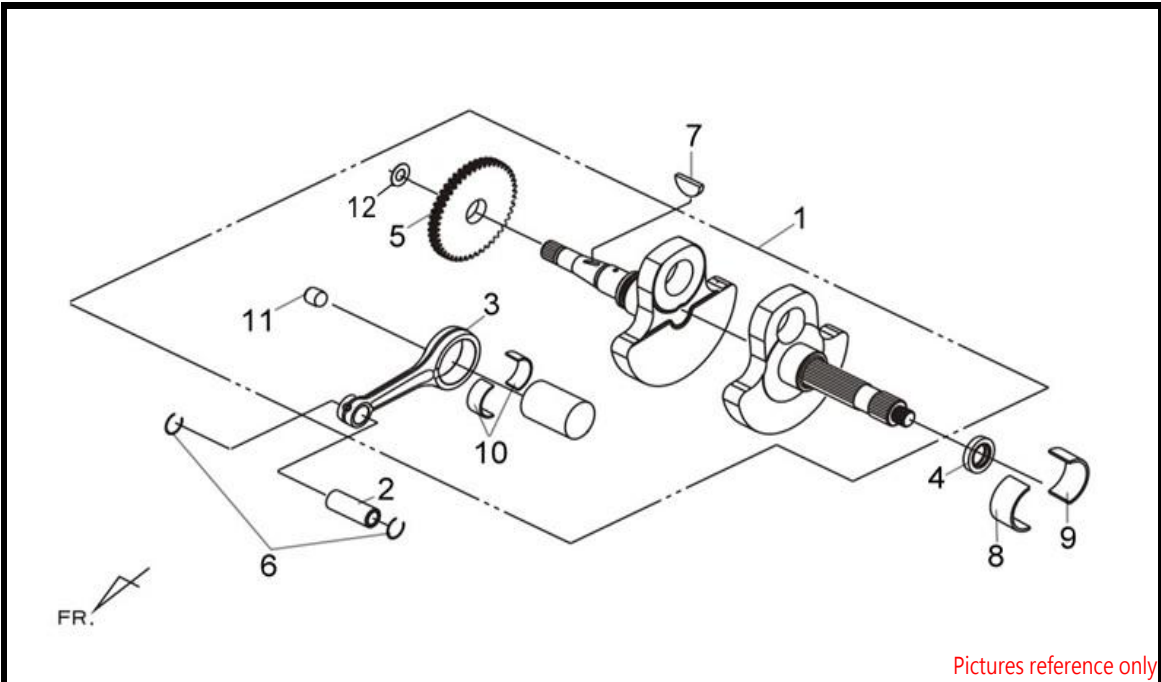
MAXSYM 600I



NO	PARTS NUMBER	DESCRIPTION	QTY	EFFECTIVE DATE
1.0	1136A-L4A-000	OIL FILTER COVER COMP	1	
2.0	11383-L4A-000	BREATHER DRAIN TUBE CLAMP	1	
3.0	15400-L4A-000	OIL FILTER UNIT	1	
4.0	15414-N01-000	OIL FILTER SPRING	1	
5.0	91303-L4A-000	OIL FILTER COVER O-RING	1	
6.0	91310-REA-000	L.CASE OIL HOLE O-RING	2	
7.0	96001-06018-00	FLANGE BOLT SH 6X18	3	

E14
CRANK SHAFT COMP

MAXSYM 600I

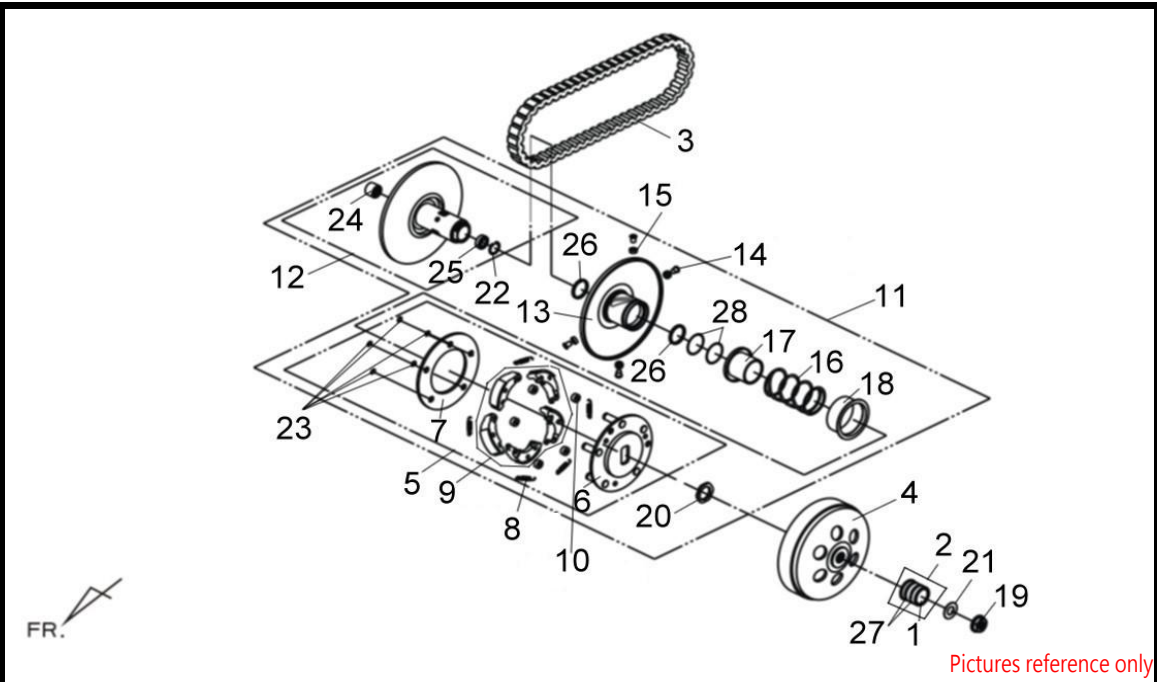


Pictures reference only

NO	PARTS NUMBER	DESCRIPTION	QTY	EFFECTIVE DATE
1.0	13000-L6C-000	CRANK SHAFT COMP	1	
2.0	13111-REA-000	PISTON PIN	1	
3.0	13201-L6C-000	CONNECTING ROD	1	
4.0	13322-L6C-000	L. CRANK SHAFT COLLAR	1	
5.0	13331-L6C-300	DRIVE GEAR 44T	1	
6.0	90601-REA-000	PISTON PIN CLIP 22MM	2	
7.0	90701-HB6-010	WOODRUFF KEY 25X14X4	1	
8.0	91001-REA-300	MAIN RBG.UP(40*44*20)	1	
9.0	91002-REA-300	MAIN RBG.LWR(40*44*20)	1	
10.0	91003-REA-000	CON-ROD BRG.(37*44*20)	2	
11.0	96205-12012	CONE TYPE PLUG 12*12	1	
12.0	90401-L6C-000	WASHER 42.2*62*1.5	1	

E15
DRIVEN PULLEY

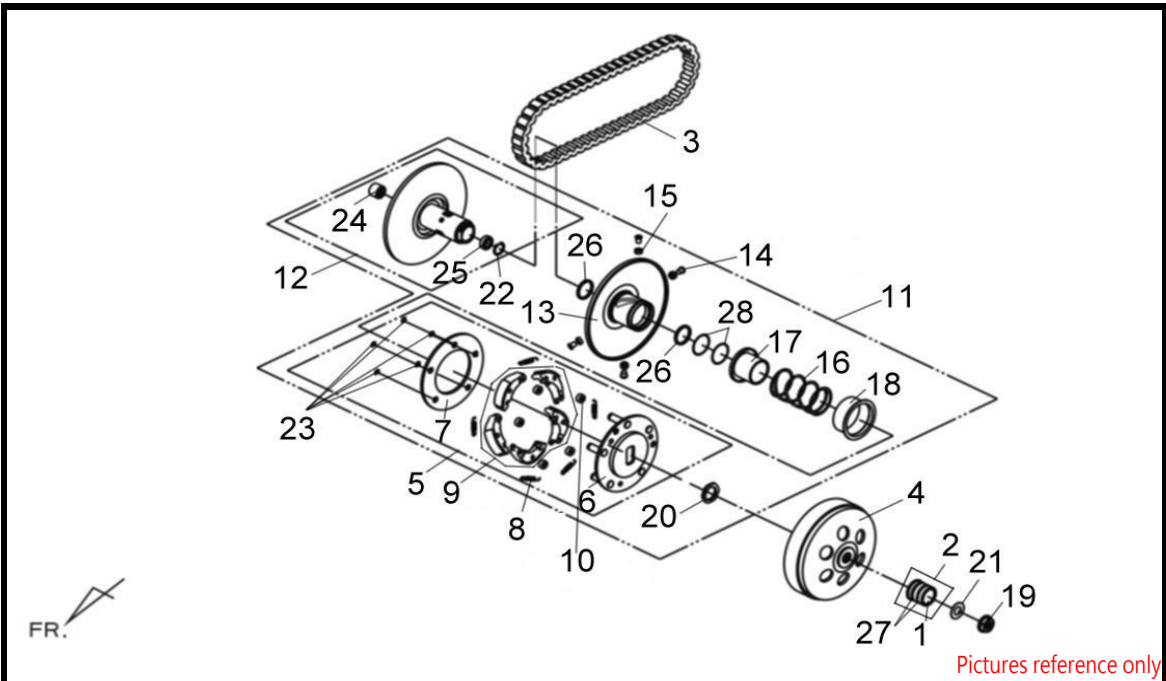
MAXSYM 600I



NO	PARTS NUMBER	DESCRIPTION	QTY	EFFECTIVE DATE
1.0	11371-HMA-000	BERING STAY COLLAR	1	
2.0	1137A-HMA-000	BERING STAY COLLAR ASSY	1	
3.0	1B01L6C01	DRIVE BELT(1085X28.8X28)	1	
4.0	22101-L6C-000	CLUTCH OUTER	1	
5.0	22300-L6C-000	DRIVE PLATE ASSY	1	
6.0	22350-L6C-000	DRIVE PLATE COMP	1	
7.0	22361-L4A-000	CLUTCH SIDE PLATE	1	
8.0	22401-L6C-000	CLUTCH SPRING	5	
9.0	22530-L6C-000-A	CLUTCH WEIGHT(5PCS/1SET)	1	
10.0	22804-L4A-000	CLUTCH DAMPER RUBBER	5	
11.0	23010-L6C-000	DRIVEN PULLEY ASSY	1	
12.0	23200-L6C-000	DRIVEN FACE ASSY	1	
13.0	23220-L6C-000	MOVABLE DRIVEN FACE COMP	1	
14.0	23225-L6C-000	ROLLER GUIDE PIN	4	
15.0	23226-L6C-000	ROLLER GUIDE	4	
16.0	23233-L6C-000	DRIVEN FACE SPRING	1	
17.0	23237-L6C-000	SEAL COLLAR	1	
18.0	23238-L6C-000	SPRING COLLAR	1	
19.0	90201-KR8-751-M1	FLANGE NUT 14MM	1	
20.0	90202-L6C-000	SPECIAL NUT M44	1	
21.0	90401-KJ9-000	THRUST WASHER 14X28X2	1	
22.0	90602-L6C-000	C CIRCLIP	1	
23.0	90603-L4A-000	C-RING	5	
24.0	91006-L4A-300	NEEDLE BREAING HKS25*33*18	1	
25.0	91007-L6C-000	RADIAL BALL BRG. 6904	1	

E15
DRIVEN PULLEY

MAXSYM 600I

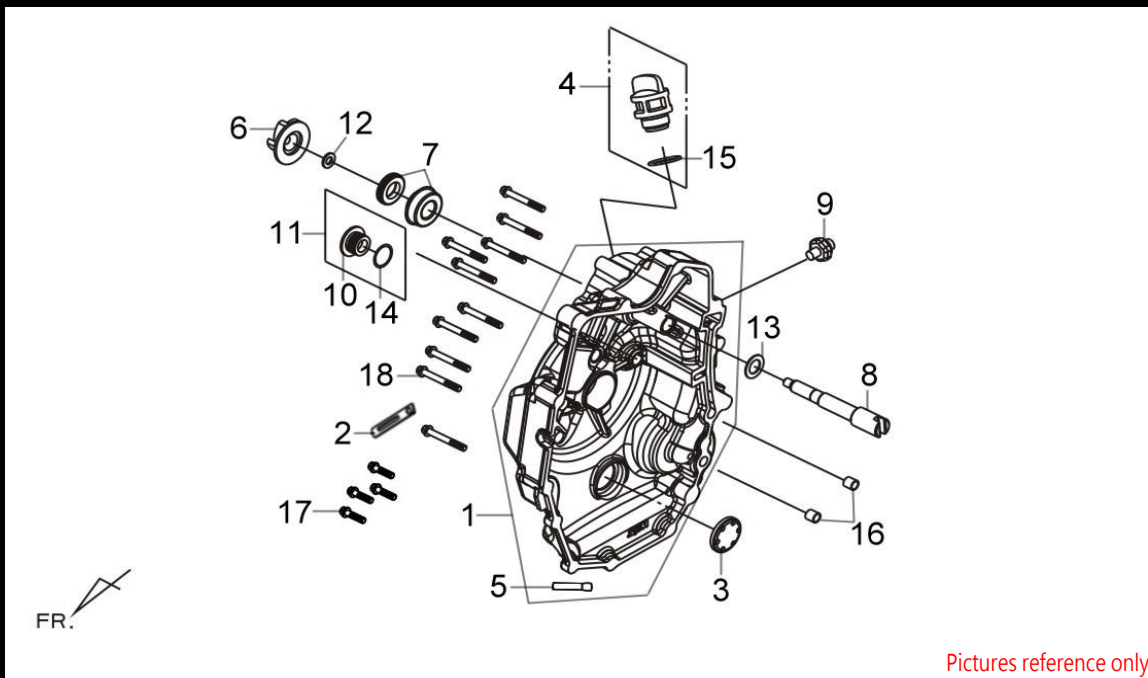


Pictures reference only

NO	PARTS NUMBER	DESCRIPTION	QTY	EFFECTIVE DATE
26.0	91211-L6C-000	DRIVEN FACE SEAL	2	
27.0	91303-HMA-000	O-RING 26.5X2.0	2	
28.0	91305-L6C-000	O-RING 55X2.0	2	

E16
R. CRANK CASE COVER

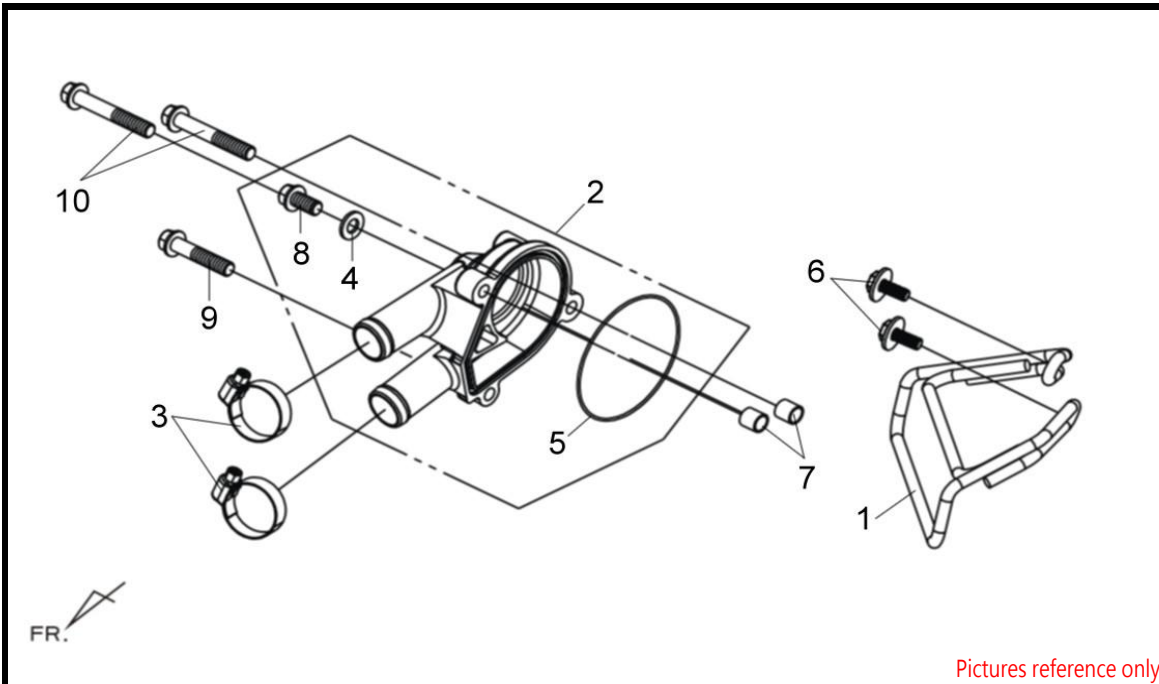
MAXSYM 600I



NO	PARTS NUMBER	DESCRIPTION	QTY	EFFECTIVE DATE
1.0	11330-L6C-000	R. CASE COVER COMP	1	
2.0	12342-X01-000	CLAMP	1	
3.0	15652-L6C-000	OIL LEVEL GAUGE	1	
4.0	1565A-L6C-000	OIL FILLER CAP ASSY	1	
5.0	16215-M9Q-300	JOINT	1	
6.0	19215-L6C-000	WATER PUMP IMPELLER	1	
7.0	19217-H9A-300	MECHANICAL SEAL	1	
8.0	19231-L6C-000	WATER PUMP SHAFT	1	
9.0	37240-L4A-000	OIL PRESSURE SW ASSY	1	
10.0	90084-H9A-000	A.C.GEN. CAP 14MM	1	
11.0	9008A-H9A-000	A.C.G. CAP ASSY 14MM	1	
12.0	90423-KJ9-000	WASHER 7.2X13X1.2	1	
13.0	90451-M8Q-000	WASHER; 14MM	1	
14.0	91303-377-000	O-RING 13.8X2.5	1	
15.0	91307-035-000	O-RING 18X3	1	
16.0	94301-08140	DOWEL PIN 8X14	2	
17.0	96001-06022-00	FLANGE BOLT SH 6X22	4	
18.0	96001-06040-00	FLANGE BOLT 6X40	10	

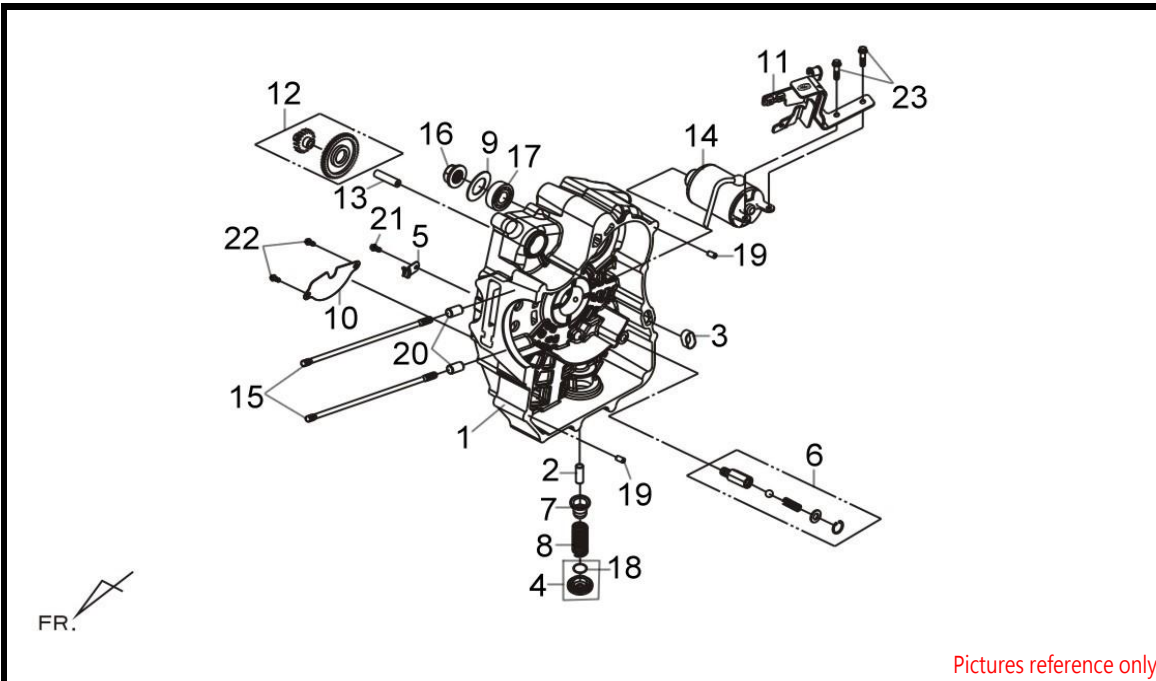
E17
WATER PUMP COVER

MAXSYM 600I



NO	PARTS NUMBER	DESCRIPTION	QTY	EFFECTIVE DATE
1.0	18241-L6C-000	EXH. PIPE PROTECTOR(GY-7450U)	1	
2.0	1922A-L6C-000	WATER PUMP COVER ASSY	1	
3.0	19505-REA-000	HOSE CLAMP	2	
4.0	90481-B04-010	WASHER 8.5MM	1	
5.0	91303-REA-000	WATER PUMP COVER O-RING	1	
6.0	93401-06020-07	WASHER BOLT 6*20	2	
7.0	94301-08140	DOWEL PIN 8X14	2	
8.0	95701-08012-00	BOLT FLANGE 8X12	1	
9.0	96001-06025-00	FLANGE BOLT SH 6X25	1	
10.0	96001-06030-00	FLANGE BOLT SH 6X30	2	

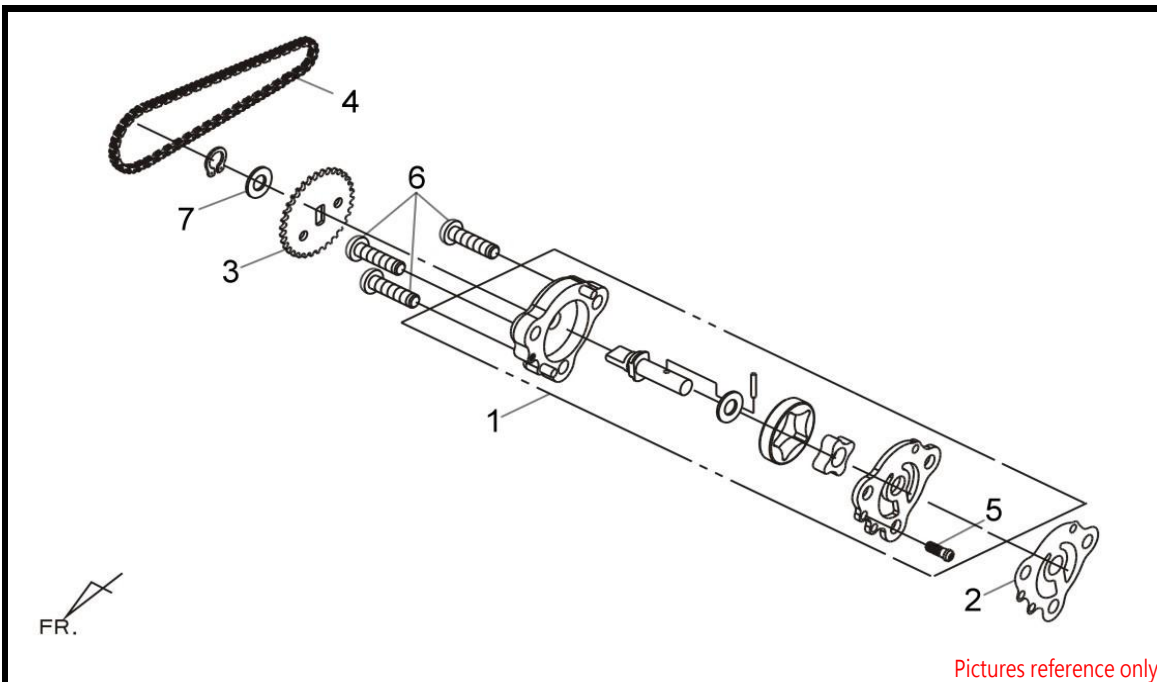
R CRANK CASE COMP



NO	PARTS NUMBER	DESCRIPTION	QTY	EFFECTIVE DATE
1.0	11100-L6C-000	R. CRANK CASE COMP	1	
2.0	11106-REA-000	OIL FILTER JOINT	1	
3.0	11201-L6C-000	PACKING INSULATOR	1	
4.0	1236A-B04-000	TAPPET ADJ. HOLE CAP ASSY	1	
5.0	14151-HMA-000	CAM CHAIN SET PLATE	5	
6.0	15230-REA-000	OIL RELIEF ASSY	1	
7.0	15421-REA-000	OIL FILTER SCREEN	1	
8.0	15426-REA-000	OIL FILTER SCREEN SPRING	1	
9.0	15451-REA-000	SPRING DISH 16.2*34*2	1	
10.0	15711-L6C-000	OIL SEPARATOR	1	
11.0	1572A-L6C-000	AIR BOX STAY C ASSY	1	
12.0	28100-REA-000	START REDUCTION GEAR COMP	1	
13.0	28102-REA-000	START REDUCTION GEAR SHAFT	1	
14.0	31200-L6C-000	START MOTOR ASSY	1	
15.0	90031-REA-000	CYLINDER STUD BOLT A M11*240	1	
16.0	90201-KR8-751-M1	FLANGE NUT 14MM	1	
17.0	91007-L6C-000	RADIAL BALL BRG. 6904	1	
18.0	91303-B08-000	O-RING 35X3	1	
19.0	94301-08140	DOWEL PIN 8X14	2	
20.0	94301-14200	DOWEL PIN 14X20	2	
21.0	96001-06012-00	FLANGE BOLT SH 6X12	1	
22.0	96001-06014-00	FLANGE BOLT SH 6X14	2	
23.0	96001-06025-00	FLANGE BOLT SH 6X25	2	

E19
OIL PUMP ASSY

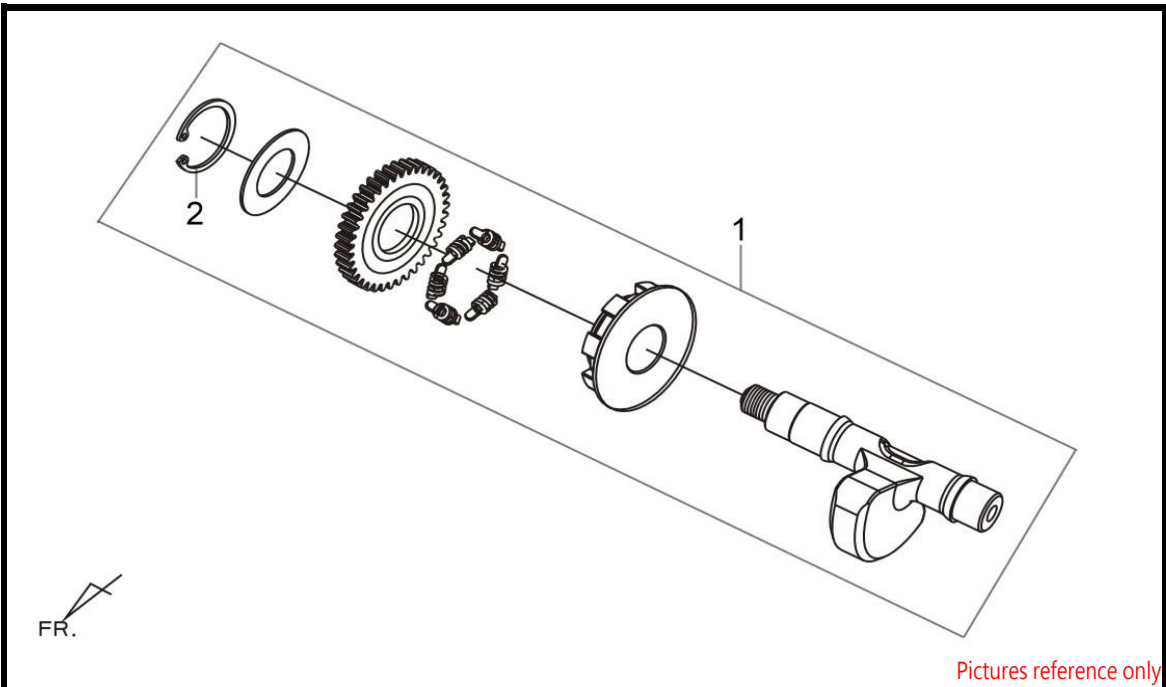
MAXSYM 600I



NO	PARTS NUMBER	DESCRIPTION	QTY	EFFECTIVE DATE
1.0	15100-L6C-000	OIL PUMP ASSY	1	
2.0	15119-REA-000	OIL PUMP BODY GASKET	1	
3.0	15133-HMA-000	OIL PUMP DRIVEN SPROCKET	1	
4.0	1C15141-HMA-000	OIL PUMP CHAIN 92RH2005-48	1	
5.0	93500-03008-1A	PAN SCREW 3X8	1	
6.0	93600-06025-0H	FLAT SCREW 6X25	1	
7.0	94510-10000	CIR CLIP 10MM	1	

E20
BALANCE SHAFT

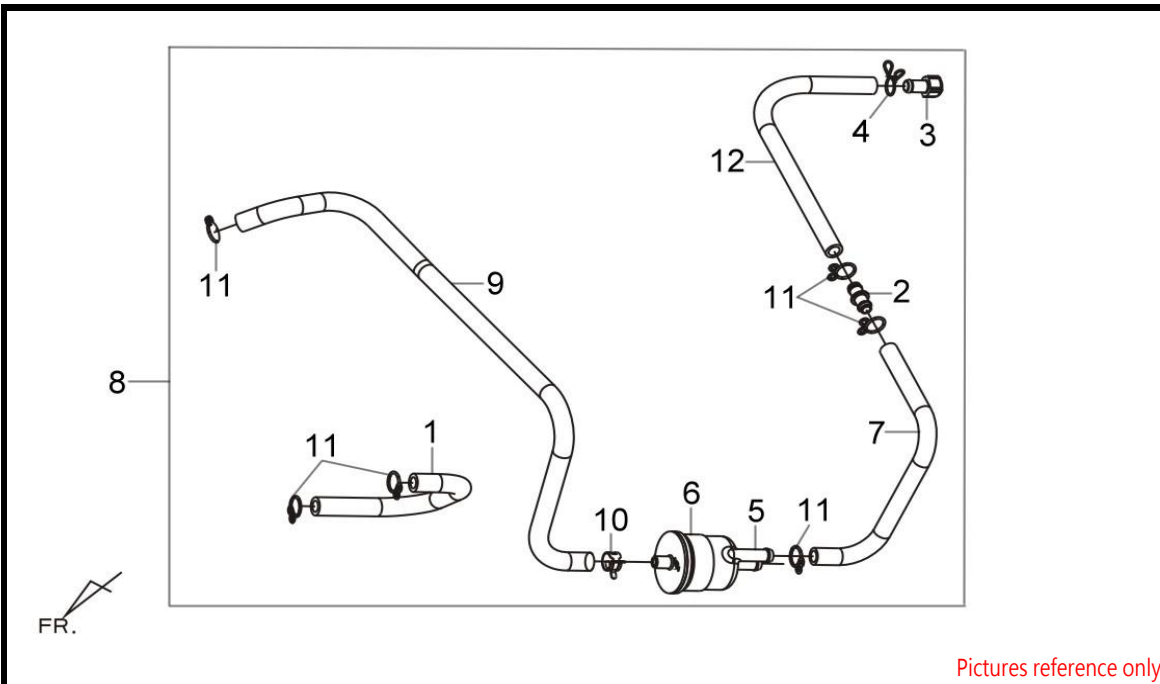
MAXSYM 600I



NO	PARTS NUMBER	DESCRIPTION	QTY	EFFECTIVE DATE
1.0	13300-L6C-000	BALANCE SHAFT COMP	1	
2.0	94510-40000	EX. CIR CLIP	1	

E21
BREATHER CHAMBER

MAXSYM 600I

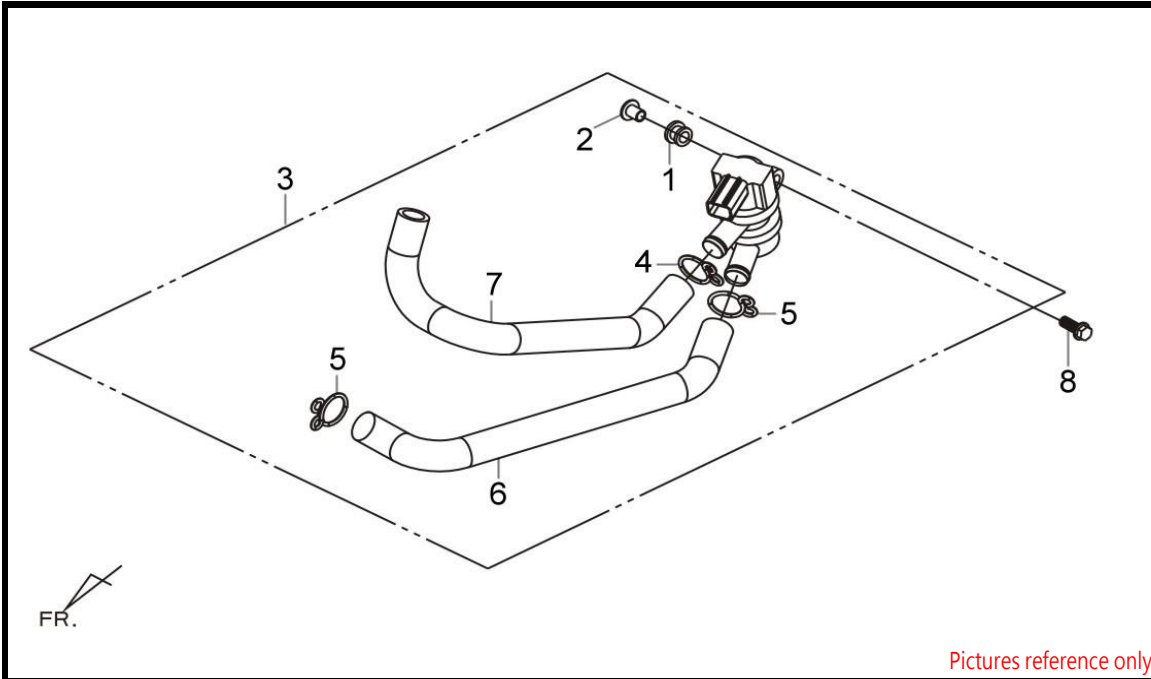


Pictures reference only

NO	PARTS NUMBER	DESCRIPTION	QTY	EFFECTIVE DATE
1.0	11211-L6C-000	BREATHER TUBE	1	
2.0	17359-M9Q-000	BREATHER TUBE JOINT	1	
3.0	17370-M9Q-000	PLUG,BREATHER TUBE.	1	
4.0	17371-M9Q-000	BREATHER TUBE CLIP	1	
5.0	17380-L6C-000	BREATHER CHAMPER COMP	1	
6.0	17385-H6A-000	CHAMBER SETTING BAND	1	
7.0	17389-L6C-000	BREATHER CHAMBER TUBE	1	
8.0	1738A-L6C-000	BREATHER CHAMBER ASSY	1	
9.0	17562-L6C-000	BRE.C/CON.T. TUBE	1	
10.0	90682-V02-900	TUBE CLAMPER D11.5	1	
11.0	95002-80000	TUBE CLIP C12	6	
12.0	95003-23032-60	V TUBE	1	

E22
A.I.S.V. SET

MAXSYM 600I

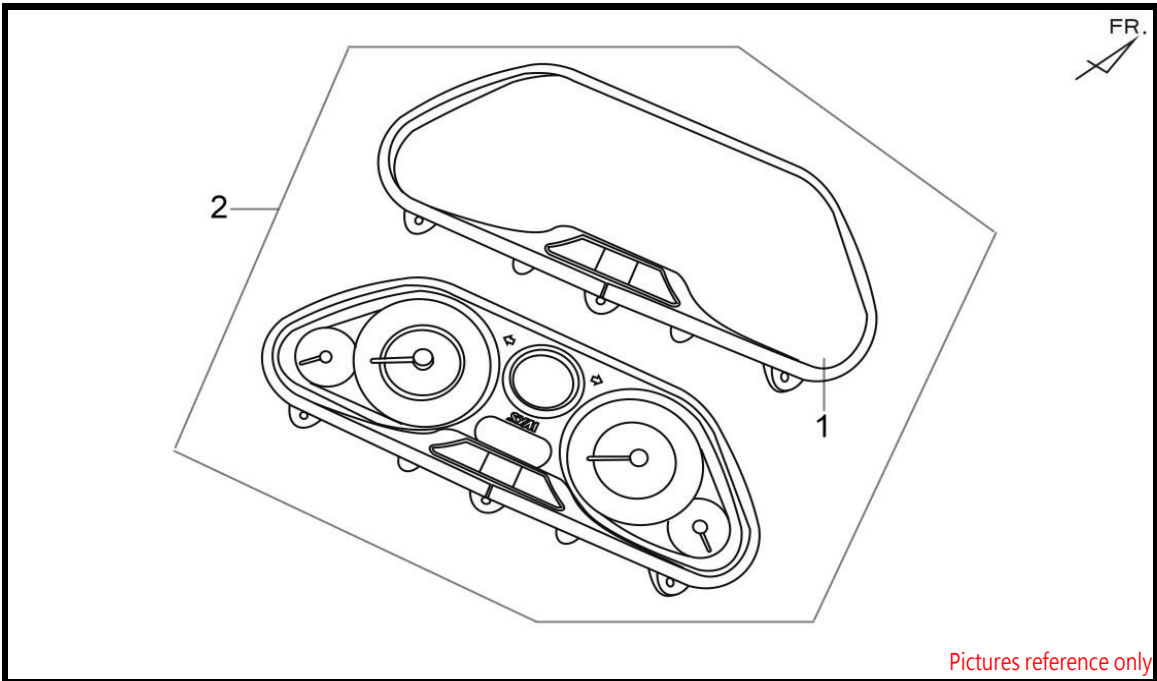


Pictures reference only

NO	PARTS NUMBER	DESCRIPTION	QTY	EFFECTIVE DATE
1.0	17591-HMC-000	A.I.S.V.RUBBER	1	
2.0	17592-HMC-000	A.I.S.V.COLLAR	1	
3.0	1759A-L6C-000	A.I.S.V.SET	1	
4.0	18533-L6C-000	AIR HOSE CLIP 21	1	
5.0	18533-M7Q-000	AIR HOSE CLIP 19	2	
6.0	18655-L6C-000	A.I.S.V. REED VALVE TUBE	1	
7.0	18659-L6C-000	A.I.S.V. AIR TUBE	1	
8.0	93891-05020-07	TAPPING SCREW 5X20	1	

F01
SPEEDMETER

MAXSYM 600I

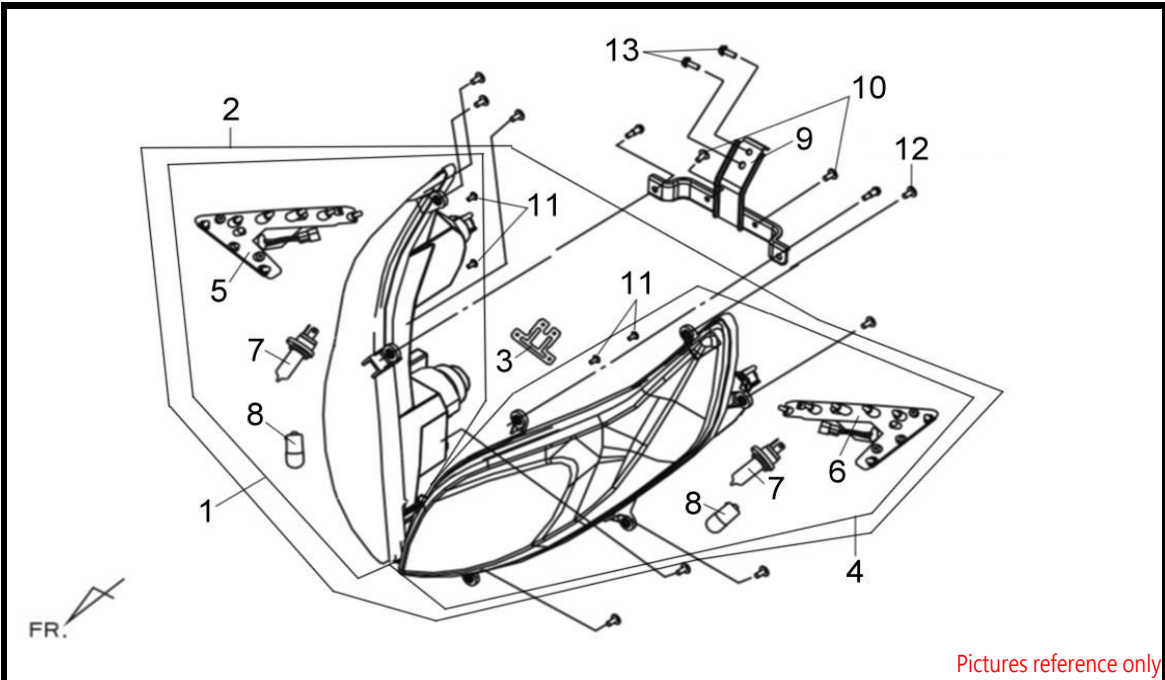


Pictures reference only

NO	PARTS NUMBER	DESCRIPTION	QTY	EFFECTIVE DATE
1.0	37119-L4C-000	METER LENS	1	
2.0	37200-L6C-010	SPEEDMETER ASSY	1	2/2/2015
2.0	37200-L6C-020	SPEEDMETER ASSY	1	8/3/2015
2.0	37200-L6C-030	SPEEDMETER ASSY	1	3/1/2016

F02
HEAD LIGHT

MAXSYM 600I

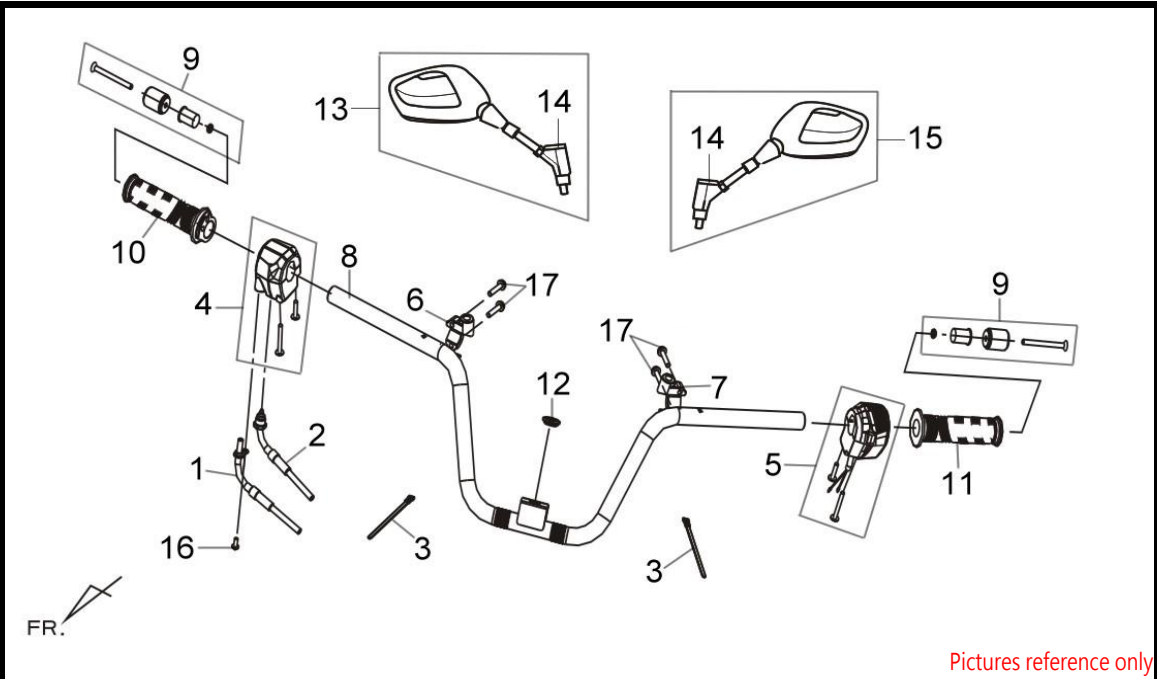


Pictures reference only

NO	PARTS NUMBER	DESCRIPTION	QTY	EFFECTIVE DATE
1.0	33100-L4A-010	R.HEAD LIGHT ASSY	1	
2.0	3310A-L6C-000	HEAD LIGHT SET	1	
3.0	33124-HWA-000	HEAD LIGHT BRKT	1	
4.0	33150-L4A-010	L.HEAD LIGHT ASSY	1	
5.0	33415-L4A-000	R. LED UNIT	1	
6.0	33455-L4A-000	L. LED UNIT	1	
7.0	34901-HMC-000	HEAD LIGHT BULB	2	
8.0	34905-T6R-000	WINKER BULB RR 12V10W(E)	2	
9.0	50310-L4A-000	FR.UNDER SPOILER BRKT	1	
10.0	90111-N24-000	FLANGE BOLT 6MM	2	
11.0	93903-24380	TAPPING SCREW 4X12	4	
12.0	93903-35280	TAPPING SCREW 5X12	10	
13.0	95801-06012-07	FLANGE BOLT 6X12	2	

F03
HANDLE ASSY

MAXSYM 600I



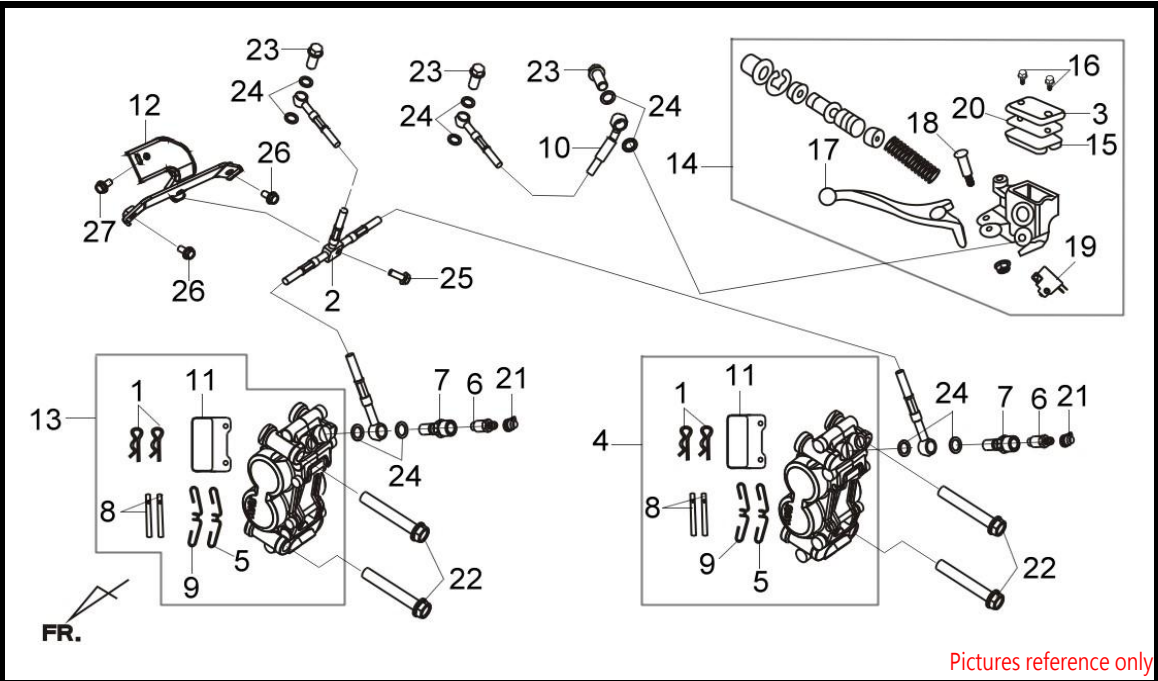
NO	PARTS NUMBER	DESCRIPTION	QTY	EFFECTIVE DATE
1.0	17910-L6C-000	THROT. CABLE COMP A	1	
2.0	17920-L6C-000	THROT. CABLE COMP B	1	
3.0	32160-A3A-900	WIRE BAND 200X8	2	
4.0	35150-HMD-000	R HANDLE SW ASSY.	1	
5.0	35200-L4C-000	L. HANDLE SW. ASSY	1	
6.0	45517-L4A-000	RH. M/C HOLDER	1	
7.0	45518-L4A-000	LH. M/C HOLDER	1	
8.0	53100-L4A-000	STRG. HANDLE COMP	1	
9.0	53104-L4C-000	HANDLE PIPE WT. ASSY	2	
10.0	53140-L4A-000	THROT GRIP COMP BK-001U	1	
11.0	53166-L4A-000	L HANDLE GRIP BK-001U	1	
12.0	61105-RCA-000	FR.FENDER GROMMET	1	
13.0	88110-L4A-900-KX	R. BACK MIRROR ASSY(BK-231S)	1	
13.0	88110-L4A-900-JH	R. BACK MIRROR ASSY(BK-001UL)	1	
13.0	88110-L4A-900-IP	R. BACK MIRROR ASSY(GY-517S)	1	
13.0	88110-L4A-900-OQ	R. BACK MIRROR ASSY(S-7S)	1	
13.0	88110-L4A-900-QU	R. BACK MIRROR ASSY(WH-300P)	1	
14.0	88111-L4A-000	SOCKET CAP	2	
15.0	88120-L4A-900-KX	L. BACK MIRROR ASSY(BK-231S)	1	
15.0	88120-L4A-900-JH	L. BACK MIRROR ASSY(BK-001UL)	1	
15.0	88120-L4A-900-IP	L. BACK MIRROR ASSY. GY-517S	1	
15.0	88120-L4A-900-OQ	L. BACK MIRROR ASSY(BK-001UL)	1	
15.0	88120-L4A-900-QU	L. BACK MIRROR ASSY(GY-517S)	1	
16.0	93891-05012-07	WASHER SCREW 5X12	1	
17.0	95801-06022-07	FLANGE BOLT 6X22	4	

●Please check the color & stripe information according to the color index !

Aug-15

F04
FR. BRAKE ASSY

MAXSYM 600I

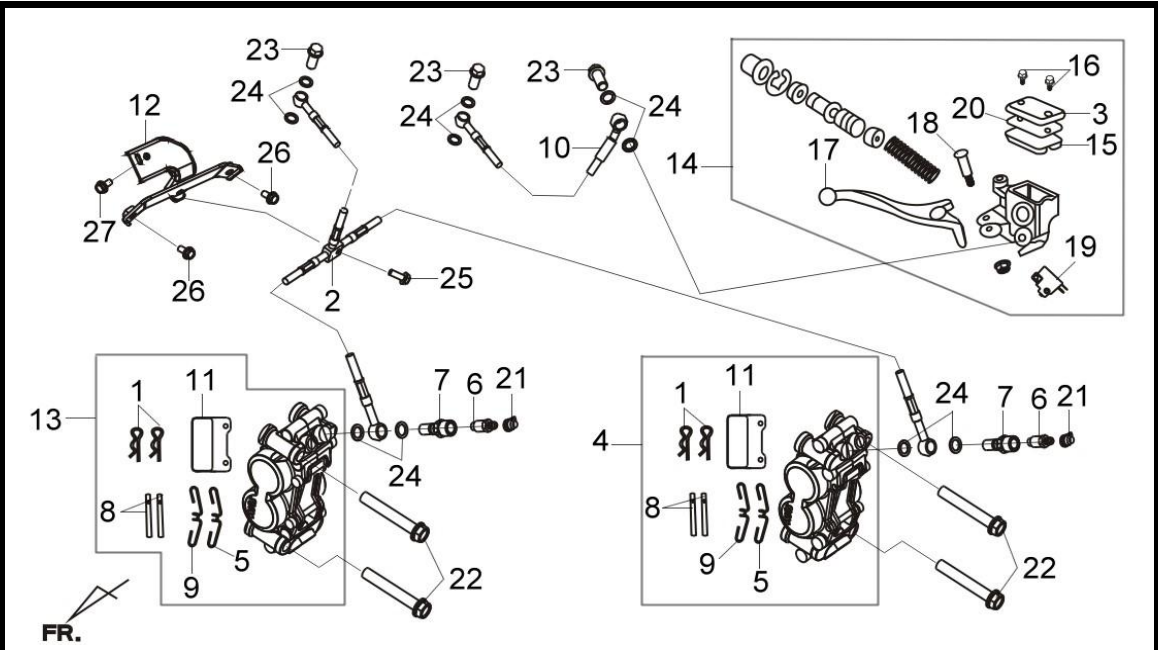


Pictures reference only

NO	PARTS NUMBER	DESCRIPTION	QTY	EFFECTIVE DATE
1.0	2V08-0056	COTTER PIN	4	
2.0	43315-L4C-000	FR CALIPER HOSE	1	
3.0	43507-L4A-300	MASTER CYCLINDER CAP	1	
4.0	45100-L4C-000-DM	RH.FR.CALIPER ASSY GD-7403S	1	
5.0	45108-L4A-310	RH. M-PAD SPRING	2	
6.0	45109-L4A-300	BLEEDER SCREW	2	
7.0	45111-L4A-300	T-SCREW	2	
8.0	45113-L4A-300	HANGER PIN	4	
9.0	45116-L4A-310	LH. M-PAD SPRING	2	
10.0	45126-L4C-000	FR. BRAKE HOSE	1	
11.0	45130-L4A-310	RH.FR.PAD ASSY	2	
12.0	45145-L4C-000	FR. BRAKE STAY	1	
13.0	45200-L4C-000-DM	LH.FR.CALIPER ASSY GD-7403S	1	
14.0	45500-L4C-000	FR. M/C ASSY	1	
15.0	45506-L4A-300	M/C LID GASKET	1	
16.0	45508-L4A-300	MASTER CYCLINDER CAP SCREW	2	
17.0	45509-L4A-300	R.HANDLE LEVER SET	1	
18.0	45510-L4A-300	HANDLE LEVER SCREW	1	
19.0	45514-L4A-300	FR.STOP SW.(R)	1	
20.0	45517-L4A-300	DIAPHRAGM PLATE.	1	
21.0	46303-HMA-000	BLEEDER SCREW CAP	2	
22.0	90102-L4A-000	SOCKET BOLT 10*65	4	
23.0	90145-M9Q-000	OIL BOLT 10X22	3	
24.0	90545-M9Q-000	OIL BOLT WASHER	10	
25.0	95801-06012-07	FLANGE BOLT 6X12	1	

F04
FR. BRAKE ASSY

MAXSYM 600I

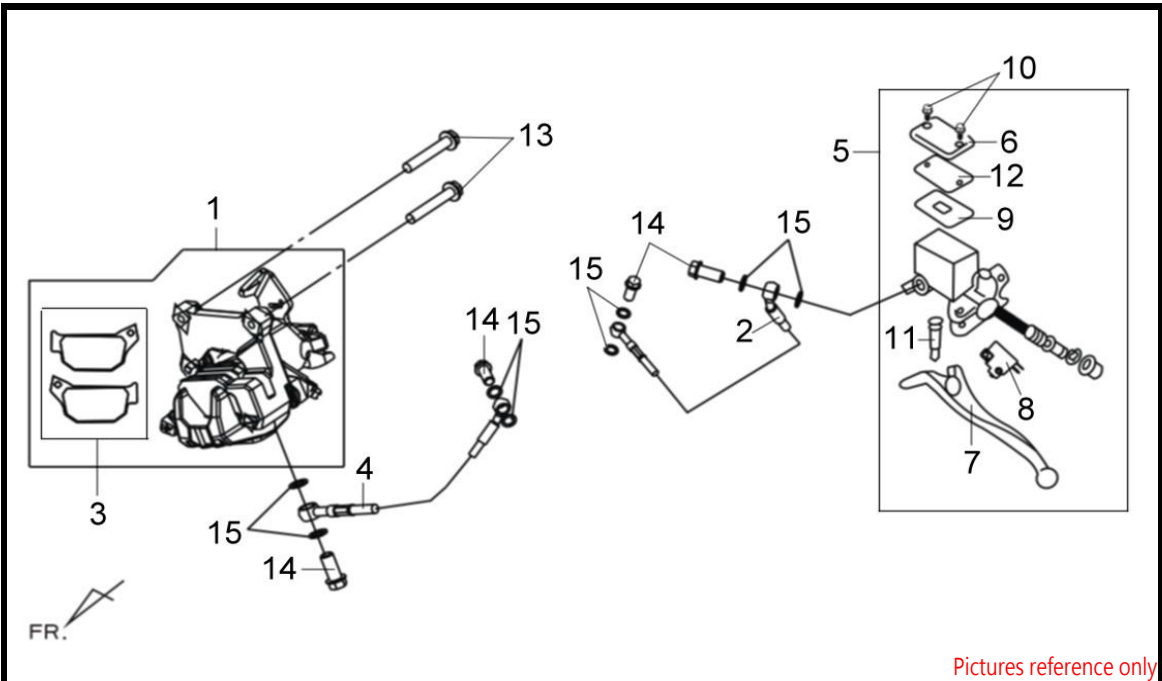


Pictures reference only

NO	PARTS NUMBER	DESCRIPTION	QTY	EFFECTIVE DATE
26.0	95801-06014-07	FLANGE BOLT	2	
27.0	95801-06022-07	FLANGE BOLT 6X22	1	

F05
RR. BRAKE ASSY

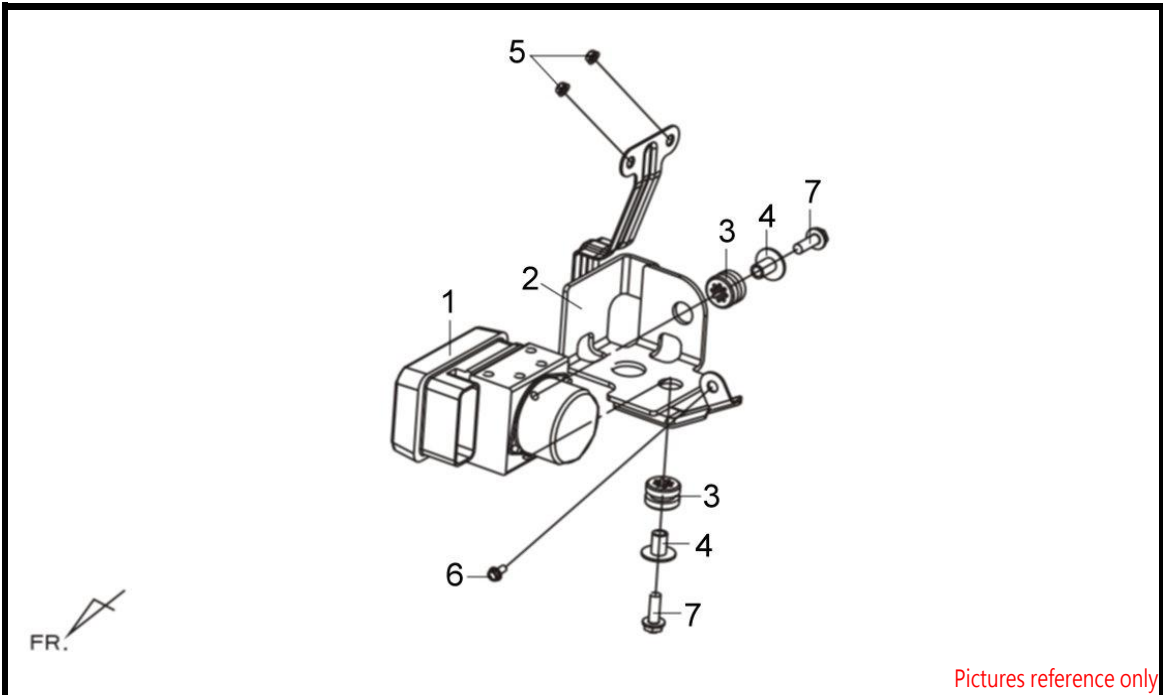
MAXSYM 600I



NO	PARTS NUMBER	DESCRIPTION	QTY	EFFECTIVE DATE
1.0	43100-L4A-000-DM	RR. CALIPER ASSY(GD-7403S)	1	
2.0	43126-L4C-000	RR. BRAKE HOSE	1	
3.0	43140-L4A-300	RR.PAD ASSY	1	
4.0	43313-L6C-000	RR. CALIPER HOSE	1	
5.0	43500-L4C-000	RR.M/C ASSY	1	
6.0	43507-L4A-300	MASTER CYCLINDER CAP	1	
7.0	43509-L4A-300	L.HANDLE LEVER SET	1	
8.0	43514-L4A-300	RR.STOP SW.(L)	1	
9.0	45506-L4A-300	M/C LID GASKET	1	
10.0	45508-L4A-300	MASTER CYCLINDER CAP SCREW	2	
11.0	45510-L4A-300	HANDLE LEVER SCREW	1	
12.0	45517-L4A-300	DIAPHRAGM PLATE.	1	
13.0	90104-LEA-000	FLANGE BOLT 8X50	2	
14.0	90145-M9Q-000	OIL BOLT 10X22	4	
15.0	90545-M9Q-000	OIL BOLT WASHER	8	

F06
ABS UNIT

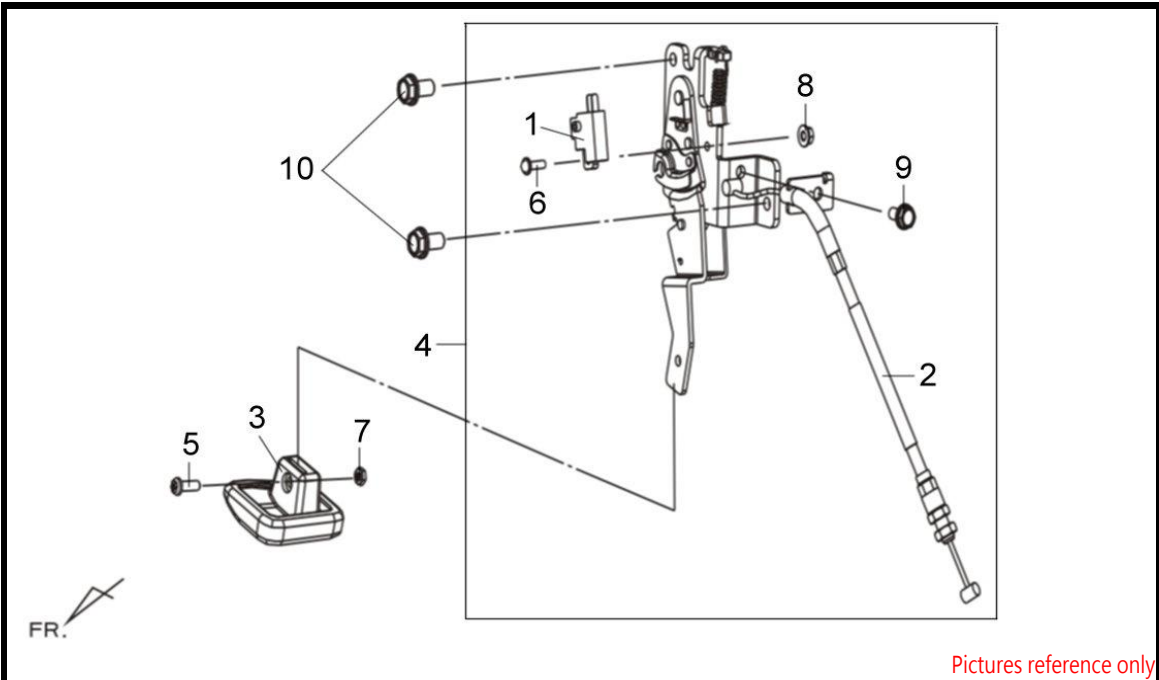
MAXSYM 600I



NO	PARTS NUMBER	DESCRIPTION	QTY	EFFECTIVE DATE
1.0	38730-L4G-000	ABS.HYDRAULIC CIRCUIT UNIT(NO FILL FUEL)	1	
2.0	38731-L4C-000	ABS. HYDRAULIC UNIT STAY	1	
3.0	80103-X01-000	RR. FENDER RUBBER	2	
4.0	80104-X01-000	RR. FENDER COLLAR	2	
5.0	94050-06070	FLANGE NUT 6MM	2	
6.0	95801-06012-07	FLANGE BOLT 6X12	1	
7.0	95801-06020-07	FLANGE BOLT 6*20	2	

F07
PARKING LEVER

MAXSYM 600I



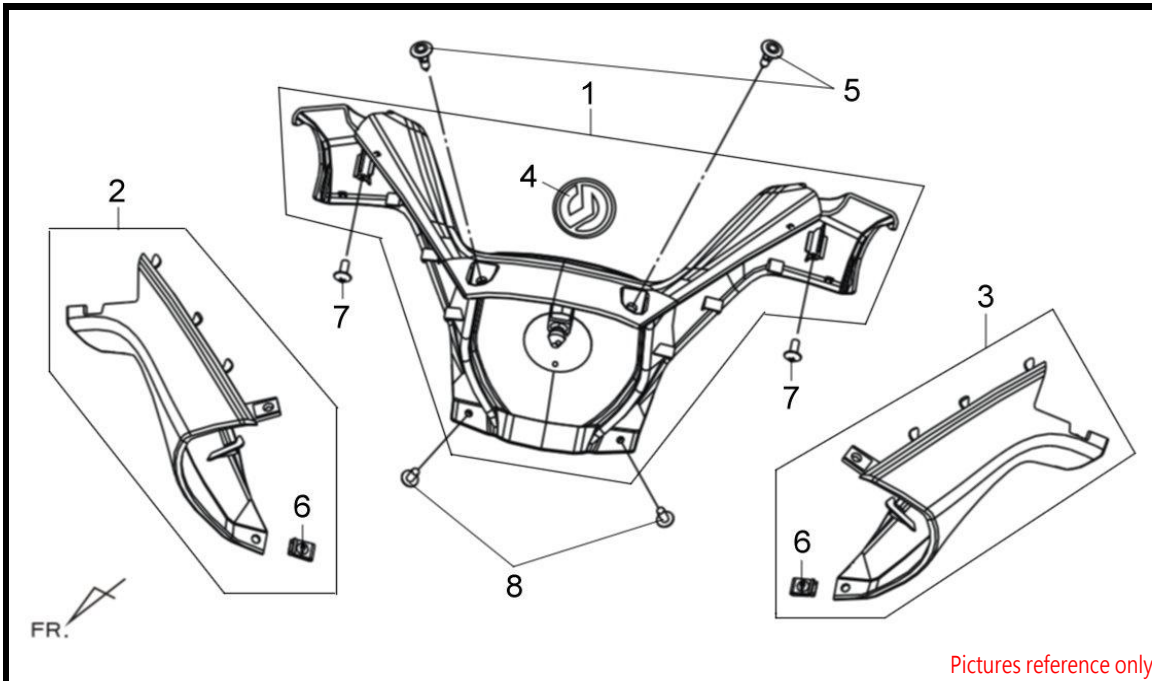
Pictures reference only

NO	PARTS NUMBER	DESCRIPTION	QTY	EFFECTIVE DATE
1.0	35350-L6C-000	RR. HANDLE STOP SW	1	
2.0	45450-L6C-000	PARKING CABLE COMP	1	
3.0	53171-L4A-000	PARKING GRIP BK-001U	1	
4.0	5317A-L6C-000	PARKING LEVER ASSY	1	
5.0	93500-05014-0G	PAN SCREW 5X14	1	
6.0	93891-04016-08	WASHER SCREW 4X16	1	
7.0	94001-05070-0S	HEX NUT 5MM	1	
8.0	94050-04000	FLANGE NUT 4MM	1	
9.0	95801-06012-08	FLANGE BOLT 6X12	1	
10.0	95801-06016-08	FLANGE BOLT 6X16	2	

F08

MAXSYM 600I

UPPER HANDLE COVER



Pictures reference only

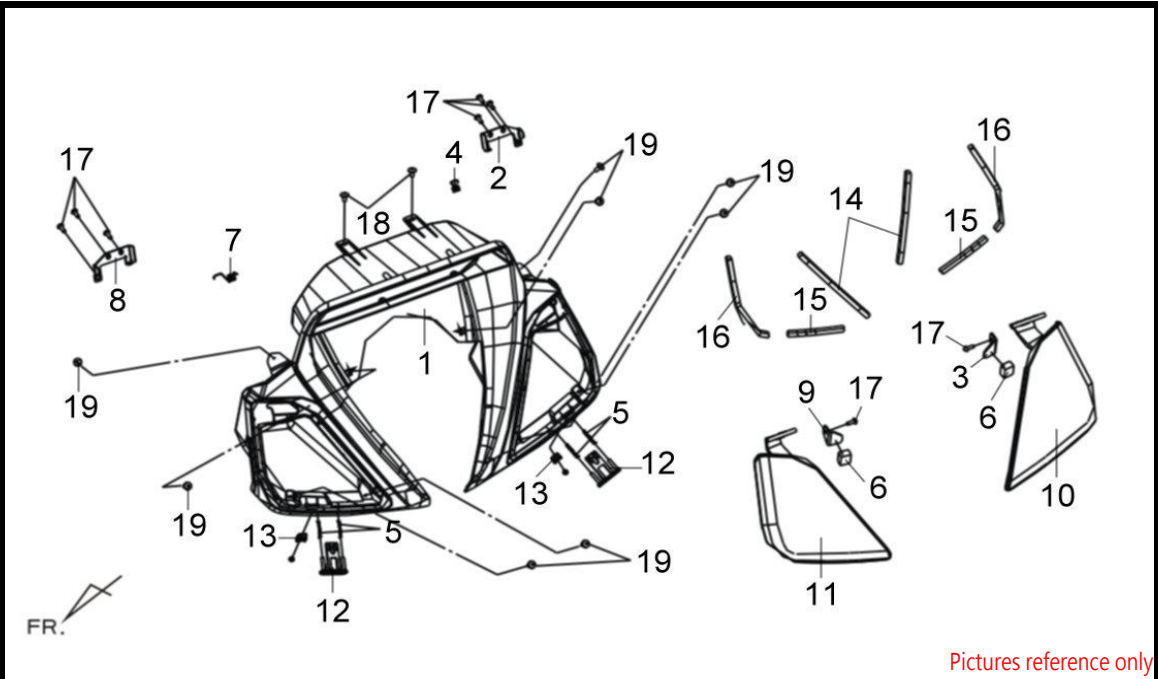
NO	PARTS NUMBER	DESCRIPTION	QTY	EFFECTIVE DATE
1.0	5311A-L4A-000-KX	UPPER HANDLE COVER ASSY(BK-231S)	1	
1.0	5311A-L4A-000-JH	UPPER HANDLE COVER ASSY(BK-001UL)	1	
1.0	5311A-L4A-000-IP	UPPER HANDLE COVER ASSY GY-517S	1	
1.0	5311A-L4A-000-OQ	UPPER HANDLE COVER ASSY S-7S	1	
1.0	5311A-L4A-000-QU	UPPER HANDLE COVER ASSY WH-300P	1	
2.0	5312A-L4A-000	LOWER R HANDLE COVER ASSY BK-001U	1	
3.0	5312B-L4A-000	LOWER L HANDLE COVER ASSY BK-001U	1	
4.0	87553-VS1-100	FR.COVER LID EMBLEM	1	
5.0	90115-REA-000	PLASTIC NUT 6MM	2	
6.0	90308-X04-000	SPECIAL NUT 5MM	2	
7.0	93903-35280	TAPPING SCREW 5X12	2	
8.0	93903-35380	TAPPING SCREW 5X16	2	

●Please check the color & stripe information according to the color index !

Aug-15

F09
METER PANEL

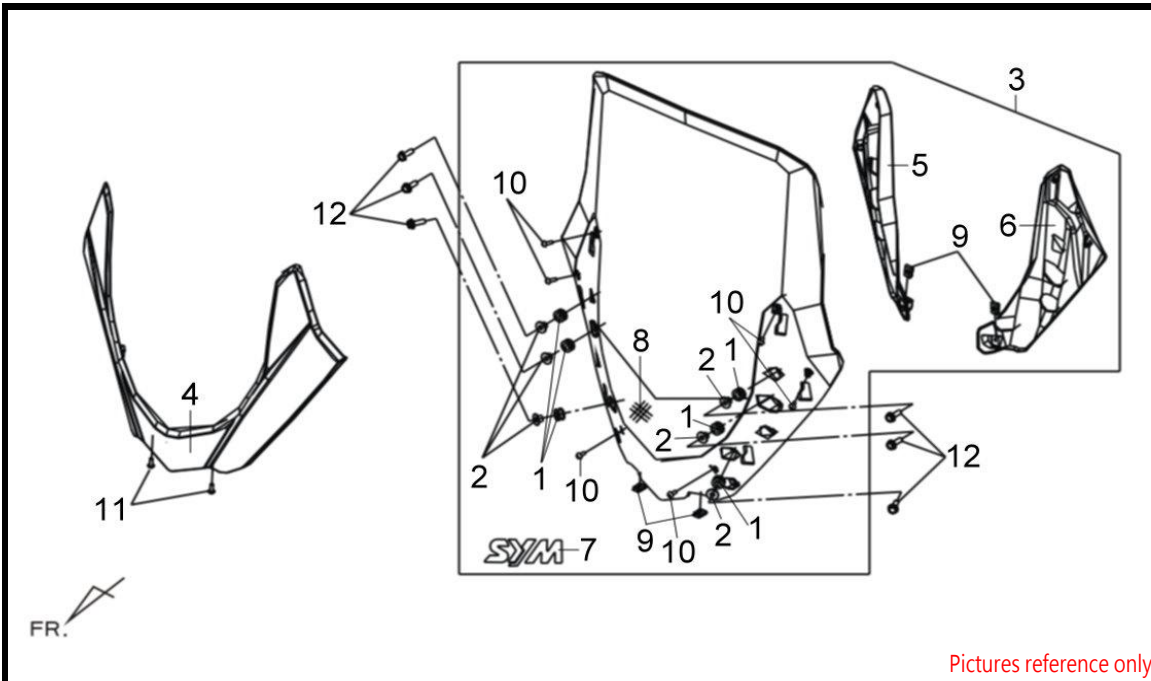
MAXSYM 600I



NO	PARTS NUMBER	DESCRIPTION	QTY	EFFECTIVE DATE
1.0	53208-L4A-005-KA	METER PANEL BK-001U	1	
2.0	53222-L4A-001	COIN BOX LID HINGE STAY	1	
3.0	53223-L4A-001	STOPPER RUBBER STAY	1	
4.0	53224-L4A-000	R.SPRING A	1	
5.0	53228-L4A-000	SPRING B	4	
6.0	53229-L4A-000	STOPPER RUBBER	2	
7.0	53230-L4A-000	L.SPRING A	1	
8.0	53232-L4A-001	L.COIN BOX LID HINGE STAY	1	
9.0	53233-L4A-001	L.STOPPER RUBBER STAY	1	
10.0	81151-L4A-000	COIN BOX RH. LID BK-001U	1	
11.0	81152-L4A-000	COIN BOX LH. LID BK-001U	1	
12.0	81153-L4A-000	RH.COIN BOX LID BUTTON BK-001U	2	
13.0	81155-L4A-000	COIN BOX HOOK	2	
14.0	81156-L4A-000	COIN BOX SEAL A	2	
15.0	81157-L4A-000	COIN BOX SEAL B	2	
16.0	81158-L4A-000	COIN BOX SEAL C	2	
17.0	93903-34280	TAPPING SCREW	8	
18.0	93903-35280	TAPPING SCREW 5X12	2	
19.0	93903-45280	TAPPING SCREW 5X12	8	

F10
WIND SCREEN ASSY

MAXSYM 600I



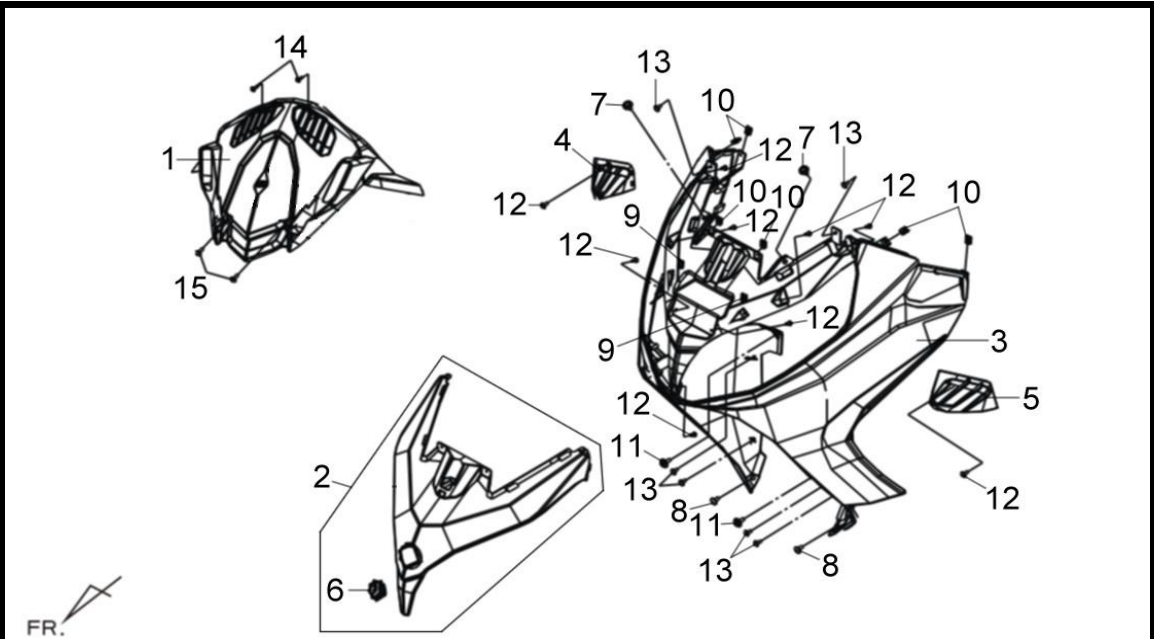
Pictures reference only

NO	PARTS NUMBER	DESCRIPTION	QTY	EFFECTIVE DATE
1.0	61104-APA-000-KD	FR. FENDER RUBBER	6	
2.0	61201-APA-000-KD	FR. FENDER COLLR	6	
3.0	6710A-L4C-000	WIND SCREEN ASSY BK-001U	1	
4.0	67110-L4A-000-IL	WIND SCREEN GARNISH (GY-7450U)	1	
5.0	67112-L4A-000	RH WIND SCREEN COVER	1	
6.0	67114-L4A-000	LH WIND SCREEN COVER	1	
7.0	83521-L4C-000	SYM MARK	1	
8.0	87125-L4A-000	WIND SCREEN STRIPE	1	
9.0	90302-HAA-000	SPRING NUT 4MM	4	
10.0	93903-34280	TAPPING SCREW	6	
11.0	93903-344G0	TAPPING SCREW 4X16	2	
12.0	95801-06025-07	FLANGE BOLT 6X25	6	

F11

MAXSYM 600I

FR. UNDER SPOLIER



Pictures reference only

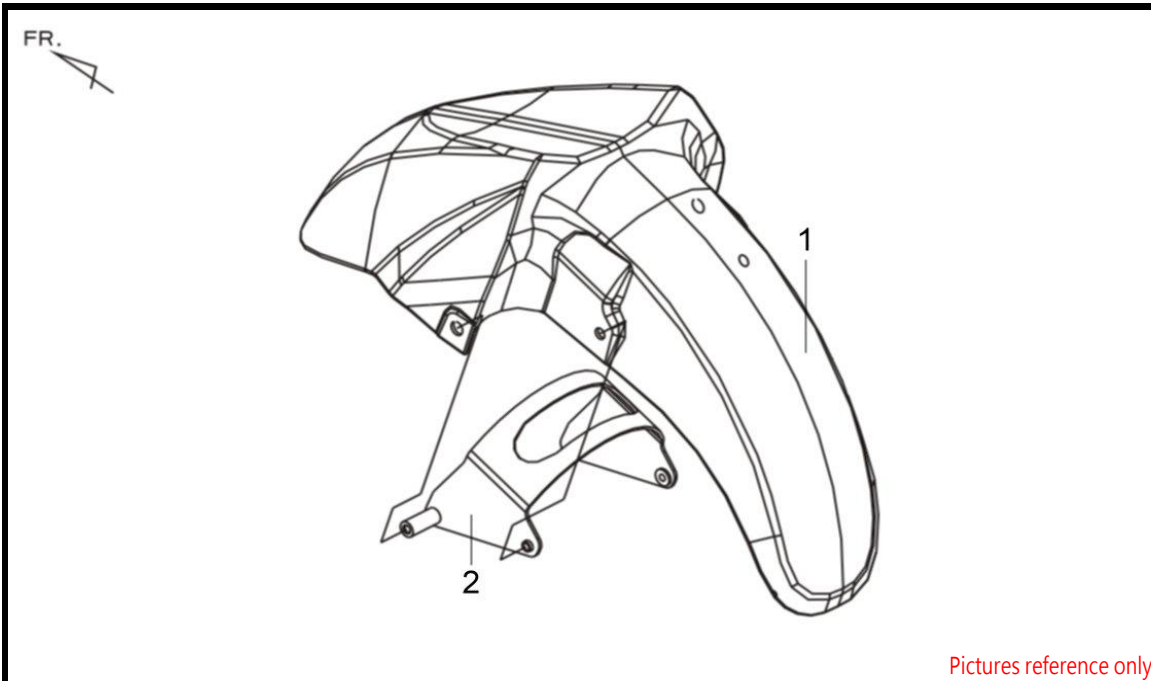
NO	PARTS NUMBER	DESCRIPTION	QTY	EFFECTIVE DATE
1.0	53209-L4A-010	METER VISOR BK-001U	1	
2.0	5320G-L4A-000-KX	FR. UP COVER ASSY(BK-231S)	1	
2.0	5320G-L4A-000-JH	FR. UP COVER ASSY(BK-001UL)	1	
2.0	5320G-L4A-000-IP	FR. UP COVER ASSY. GY-517S	1	
2.0	5320G-L4A-000-OQ	FR. UP COVER ASSY. S-7S	1	
2.0	5320G-L4A-000-QU	FR. UP COVER ASSY. WH-300P	1	
3.0	64301-L4A-000-KX	FR. UNDER SPOLIER(BK-231S)	1	
3.0	64301-L4A-000-JH	FR. UNDER SPOLIER(BK-001UL)	1	
3.0	64301-L4A-000-IP	FR.UNDER SPOLIER(GY-517S)	1	
3.0	64301-L4A-000-OQ	FR.UNDER SPOLIER(S-7S)	1	
3.0	64301-L4A-000-QU	FR.UNDER SPOLIER(WH-300P)	1	
4.0	64306-L4A-000-KA	R.FR COVER GARNISH BK-001U	1	
5.0	64308-L4A-000-KA	L.FR COVER GARNISH BK-001U	1	
6.0	87553-L4A-000	S LOGO EMBLEM	1	
7.0	90112-N01-000	FLANGE BOLT 6MM	2	
8.0	90115-REA-000	PLASTIC NUT 6MM	2	
9.0	90305-M9Q-000	CLIP NUT 6MM	2	
10.0	90308-X04-000	SPECIAL NUT 5MM	6	
11.0	93404-06016-07	BOLT WASHER 6X16	2	
12.0	93903-34380	TAPPING SCREW 4X12	12	
13.0	93903-35280	TAPPING SCREW 5X12	6	
14.0	93903-44380	TAPPING SCREW 4X12	2	
15.0	93903-45380	TAPPING SCREW 5X16	2	

●Please check the color & stripe information according to the color index !

Aug-15

F12
FR. FENDER

MAXSYM 600I

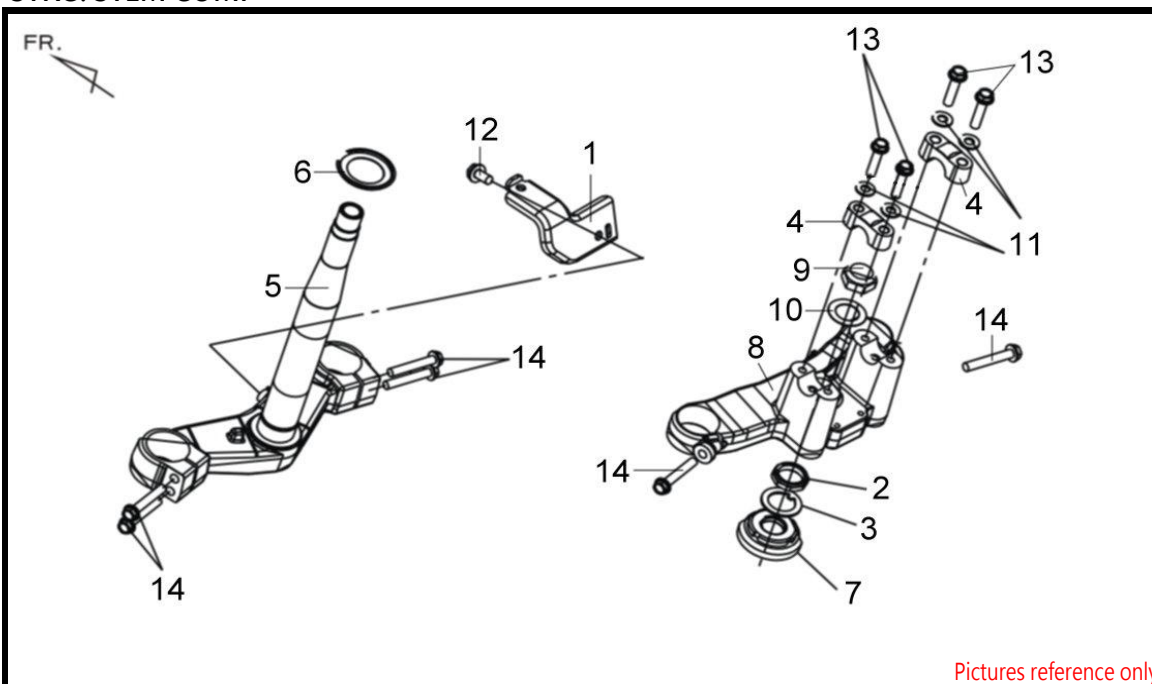


Pictures reference only

NO	PARTS NUMBER	DESCRIPTION	QTY	EFFECTIVE DATE
1.0	61100-L4A-000-KX	FR. FENDER(BK-231S)	1	
1.0	61100-L4A-000-JH	FR. FENDER(BK-001UL)	1	
1.0	61100-L4A-000-IP	FR.FENDER GY-517S	1	
1.0	61100-L4A-000-OQ	FR.FENDER S-7S	1	
1.0	61100-L4A-000-QU	FR.FENDER WH-300P	1	
2.0	61105-L4A-000	FR.FENDER BRKT	1	

F13
STRG. STEM COMP

MAXSYM 600I

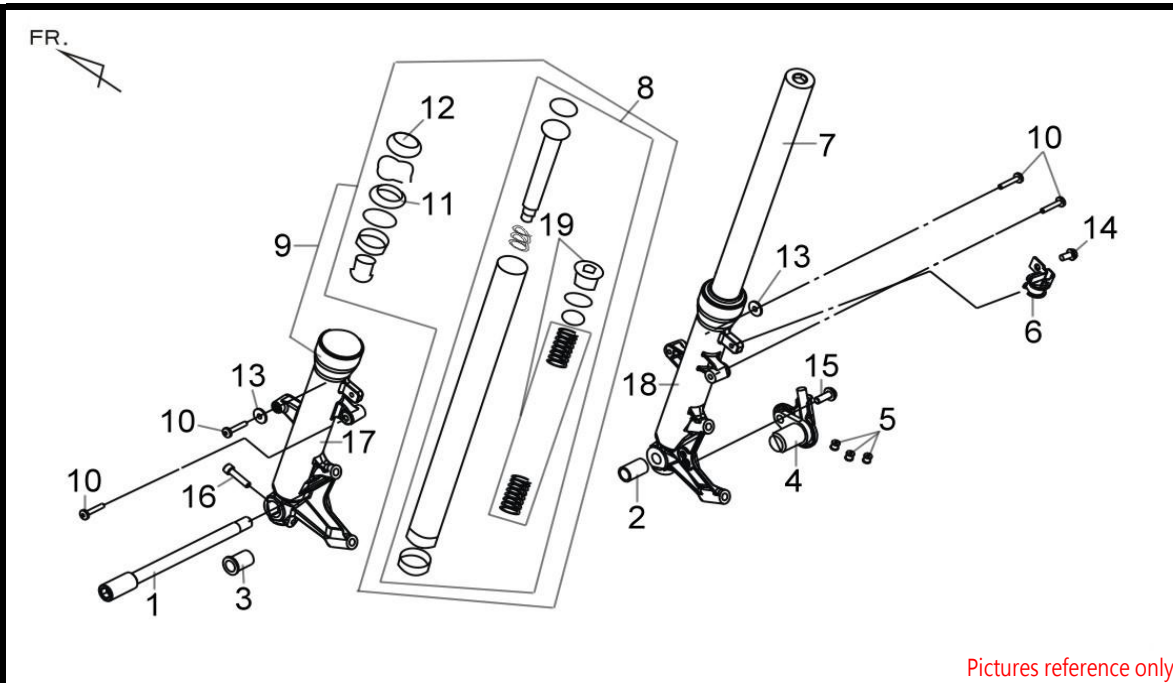


Pictures reference only

NO	PARTS NUMBER	DESCRIPTION	QTY	EFFECTIVE DATE
1.0	45145-L4C-000	FR. BRAKE STAY	1	
2.0	50306-M9Q-000	STRG. STEM LOCK NUT(MZ→SY)	1	
3.0	50308-HMA-000	STRG STEM WASHER	1	
4.0	53131-RCA-010	HANDLE PIPE UP. HOLDER	2	
5.0	53200-L4A-000	STRG.STEM COMP	1	
6.0	53214-L4A-000	STRG.DUST SEAL	1	
7.0	53220-HMA-000	STEERING HEAD TOP THREAD COMP	1	
8.0	53231-L4A-000	FORK TOP BRIDGE	1	
9.0	90304-L4A-000	STEERING STEM NUT	1	
10.0	90503-B06-000	STEERING STEM NUT WASHER	1	
11.0	94101-08800	PLAIN WASHER 8MM	4	
12.0	95801-06012-07	FLANGE BOLT 6X12	1	
13.0	95801-08035-07	FLANGE BOLT M8X35	4	
14.0	95801-08045-08	FLANGE BOLT 8X45	6	

F14
FR. CUSHION

MAXSYM 600I

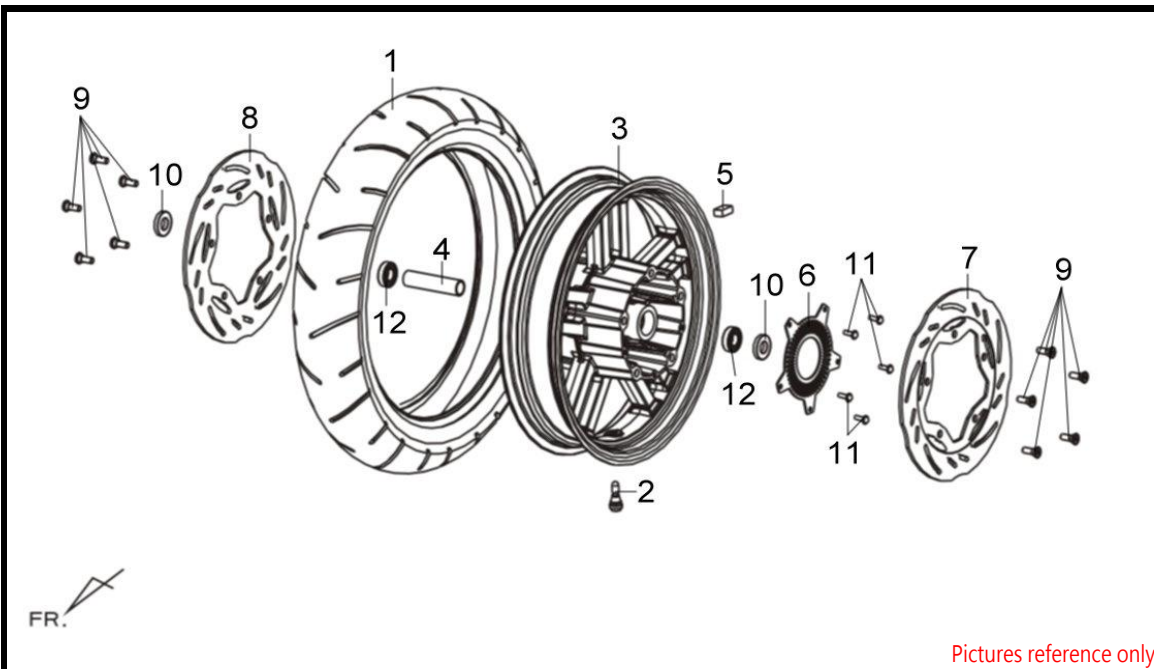


Pictures reference only

NO	PARTS NUMBER	DESCRIPTION	QTY	EFFECTIVE DATE
1.0	44301-L4A-000	FR.WHEEL AXLE	1	
2.0	44312-L4A-000	FR. WHEEL SIDE COLLAR	1	
3.0	44313-L4A-000	LH.FR.WHEEL COLLAR	1	
4.0	44870-L4C-000	ABS. SPEED SENSOR	1	
5.0	44910-L4C-000	ABS. RUBBER BUSH	3	
6.0	45156-L4C-000	FR. BRAKE HOSE CLAMP	1	
7.0	51400-L4A-000-KB	RH. FR. CUSHION COMP(BK-001C)	1	
7.0	51400-L4A-000-SO	RH. FR. CUSHION COMP(S-421S)	1	
8.0	51410-L4A-001	FR.FORK PIPE .	2	
9.0	51500-L4A-000-KB	LH. FR. CUSHION COMP(BK-001C)	1	
9.0	51500-L4A-000-SO	LH. FR. CUSHION COMP(S-421S)	1	
10.0	90114-A5L-000	SPECIAL SCREW 6X35	4	
11.0	91255-L4A-000	FR.CUSHION OIL SEAL	2	
12.0	91256-L4A-000	DUST SEAL	2	
13.0	94103-06000	PLAIN WASHER 6MM	2	
14.0	95801-06012-07	FLANGE BOLT 6X12	1	
15.0	96001-06012-00	FLANGE BOLT SH 6X12	1	
16.0	96700-08035-00	SOCKET BOLT 8X35	1	
17.0	FE881-283-03	BOTTOM CASE LH .	1	
18.0	FE881-284-03	BOTTOM CASE RH .	1	
19.0	FF501-380-00	SPRING SET	2	

F15
FR. WHEEL

MAXSYM 600I

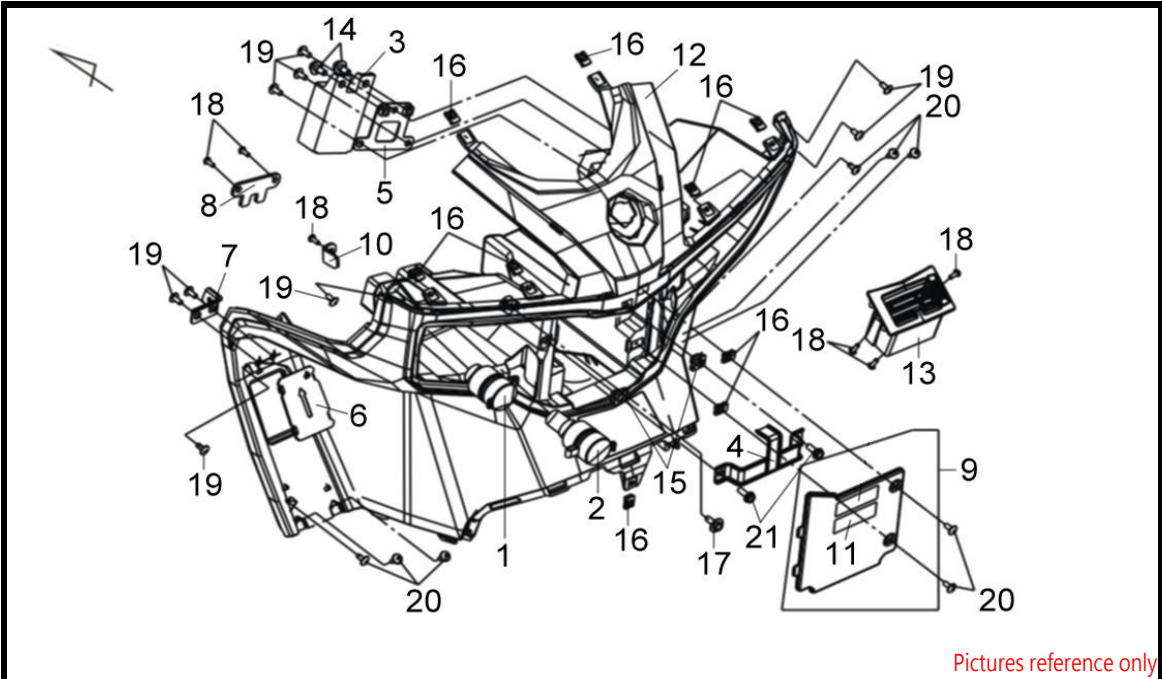


Pictures reference only

NO	PARTS NUMBER	DESCRIPTION	QTY	EFFECTIVE DATE
1.0	1T011207015-6135	RR. TUBELESS TIRE	1	
2.0	42753-KJ9-000	VALVE RIM (PVR-70B)	1	
3.0	44601-L4A-000-SO	FR. CAST WHEEL COMP(15*3.50) S-421S(T1)	1	
3.0	44601-L6D-000-KB	FR. CAST WHEEL COMP(15*3.50) BK-001C+R(T2)	1	
4.0	44620-L4A-000	FR.AXLE DIST COLLAR	1	
5.0	44720-H9A-000	BALANCE WEIGHT	1	
6.0	45120-L4A-000	ABS DETECTIVE DISK	1	
7.0	45121-L4A-000-KB	R FRONT BRAKE DISK BK-001C	1	
8.0	45122-L4A-000-KB	L FRONT BRAKE DISK BK-001C	1	
9.0	90105-KR3-000	FR. DISK BOLT 8X24	10	
10.0	91211-RCA-000	OIL SEAL (22*35*7)	2	
11.0	93500-05012-0A	PAN SCREW 5*12mm	5	
12.0	96150-60033-10	RADIAL BALL BEARING 6003UU	2	

F16
FR. INNER BOX

MAXSYM 600I

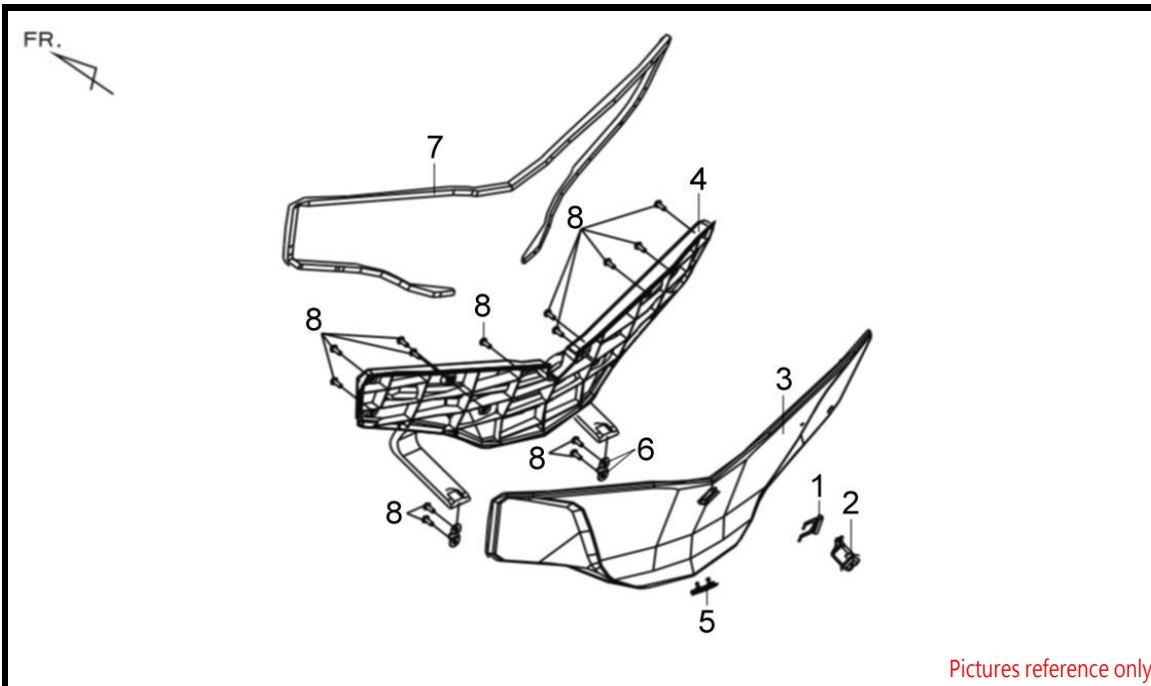


Pictures reference only

NO	PARTS NUMBER	DESCRIPTION	QTY	EFFECTIVE DATE
1.0	38600-L4A-000	DC. POWER OUTLET ASSY	1	
2.0	38650-L4A-000	USB CHARGE UNIT	1	
3.0	38901-L4C-000	AUTO LIGHT UNIT	1	
4.0	50548-L4A-000	BATTERY BAND	1	
5.0	53216-L4C-000	LIGHT SYSTEM STAY	1	
6.0	81145-L4A-000	RESERVE TANK LID	1	
7.0	81147-L4A-000	RESERVE TANK STAY	1	
8.0	81149-L4A-000	FUSE BOX STAY	1	
9.0	8114A-L4B-000	BATTERY BOX COVER ASSY BK-001U	1	
10.0	81159-L4A-000	FUSE CASE STAY	1	
11.0	81219-L1A-000	LUGGAGU BOX CAUTION LABEL	1	
12.0	81231-L4A-010-KA	FR. INNER BOX BK-001U	1	
13.0	8124A-L4C-000	AIR DUCT ASSY	1	
14.0	90111-M9Q-900	FLANGE BOLT(MFZn2-C)6MM	2	
15.0	90305-M9Q-000	CLIP NUT 6MM	2	
16.0	90308-X04-000	SPECIAL NUT 5MM	9	
17.0	93404-06016-08	BOLT WASHER 6X16	1	
18.0	93903-34380	TAPPING SCREW 4X12	6	
19.0	93903-35280	TAPPING SCREW 5X12	9	
20.0	93903-45280	TAPPING SCREW 5X12	8	
21.0	95801-06016-08	FLANGE BOLT 6X16	2	

F17
INNER BOX LID

MAXSYM 600I

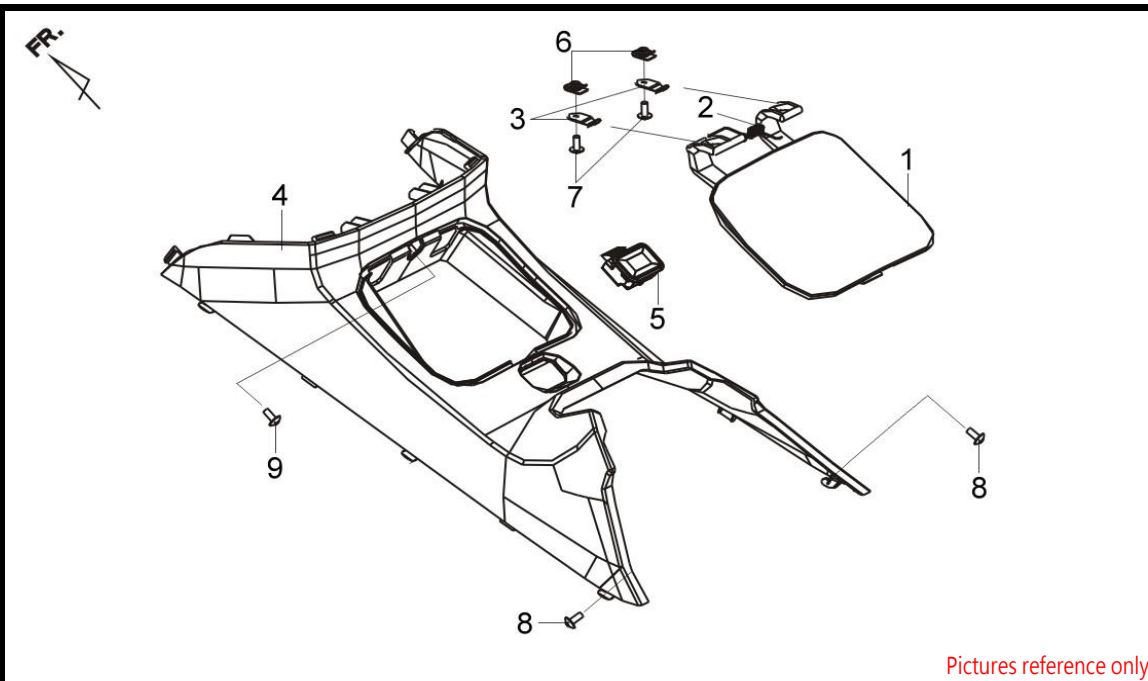


Pictures reference only

NO	PARTS NUMBER	DESCRIPTION	QTY	EFFECTIVE DATE
1.0	75581-M9Q-000	LOCK KEY SET SPRING	1	
2.0	77233-L4A-000	INNER BOX LOCK ASSY	1	
3.0	81141-L4A-000-KX	INNER BOX LID(BK-231S)	1	
3.0	81141-L4A-000-JH	INNER BOX LID(BK-001UL)	1	
3.0	81141-L4A-000-IP	INNER BOX LID GY-517S	1	
3.0	81141-L4A-000-OQ	INNER BOX LID S-7S	1	
3.0	81141-L4A-000-QU	INNER BOX LID WH-300P	1	
4.0	81142-L4A-000	INNER BOX LID STIFFENER(BK-001U)	1	
5.0	81144-L4A-000	INNER BOX LID RUBBER	1	
6.0	81146-L4A-000	INNER BOX LID HANGE STAY	2	
7.0	81148-L4A-000	INNER BOX SEAL	1	
8.0	93903-34380	TAPPING SCREW 4X12	14	

F18
MAINTENANCE COVER

MAXSYM 600I

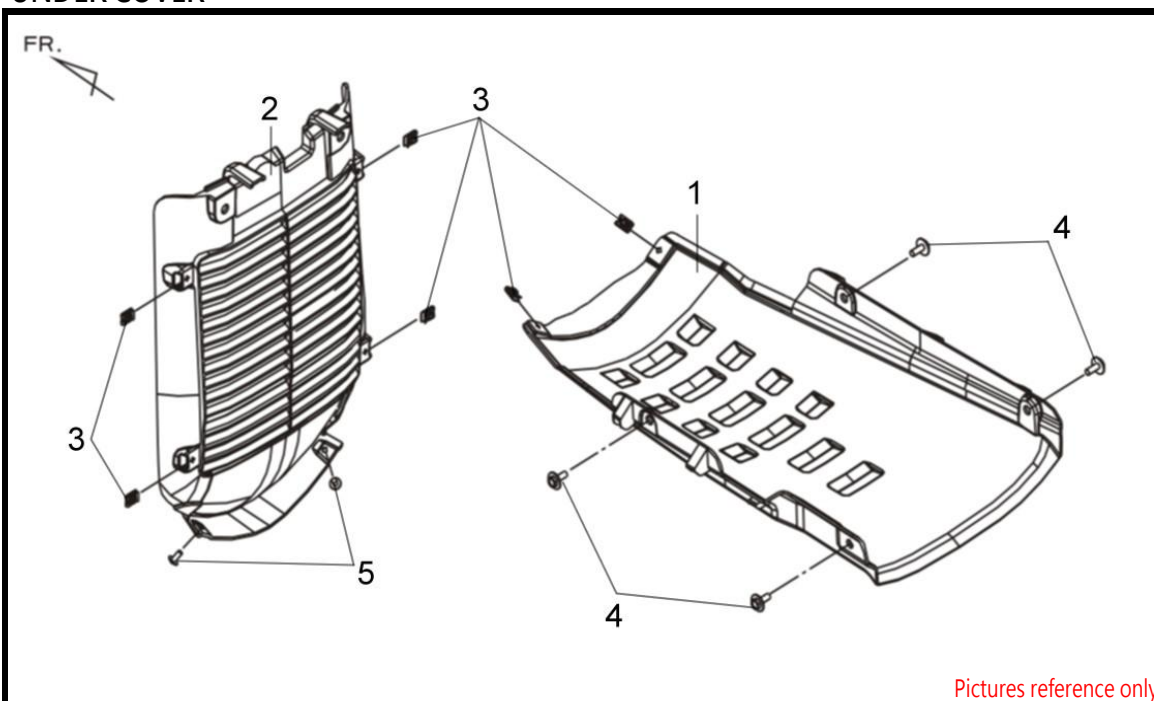


Pictures reference only

NO	PARTS NUMBER	DESCRIPTION	QTY	EFFECTIVE DATE
1.0	64311-L4A-000-KA	FUEL TANK COVER BK-001U	1	
2.0	64313-L4A-100	FUEL TANK COVER SPRING	1	
3.0	64314-L4A-000	FUEL TANK COVER HANGE STAY	2	
4.0	64315-L4A-100-KA	MAINTENANCE COVER(BK-001U)	1	
5.0	64320-L4A-000	FUEL TANK COVER LOCK	1	
6.0	90308-X04-000	SPECIAL NUT 5MM	2	
7.0	93903-25120	TAPPING SCREW 5X10	2	
8.0	93903-45280	TAPPING SCREW 5X12	2	
9.0	93903-45380	TAPPING SCREW 5X16	1	

F19
UNDER COVER

MAXSYM 600I

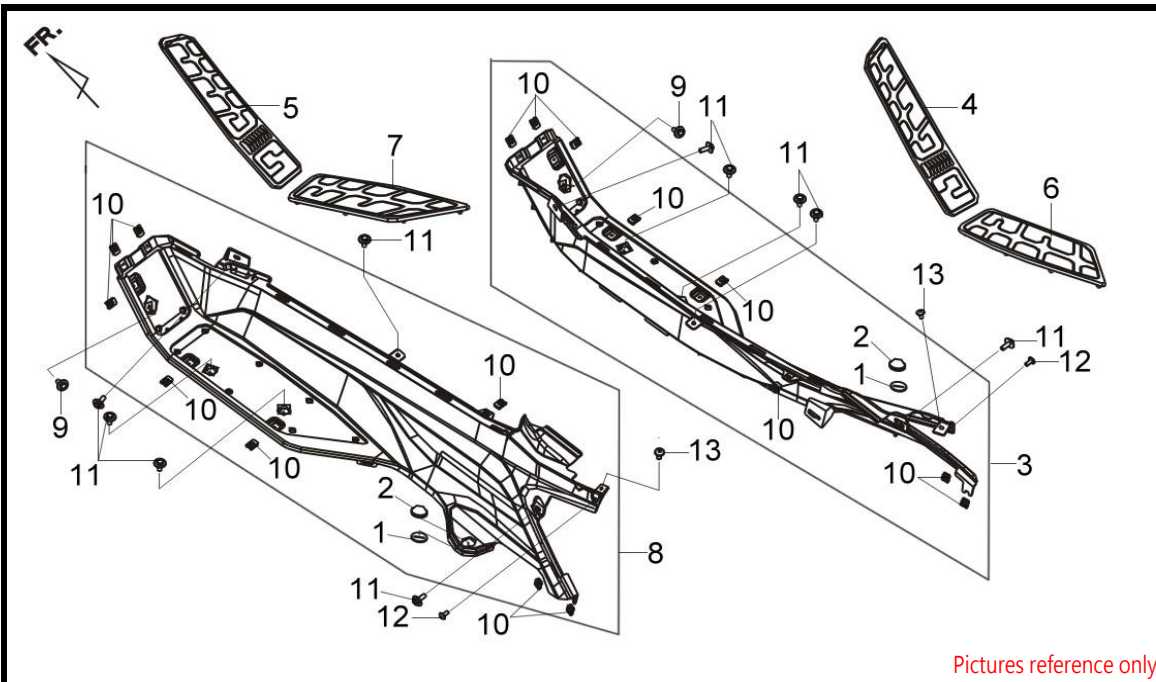


Pictures reference only

NO	PARTS NUMBER	DESCRIPTION	QTY	EFFECTIVE DATE
1.0	64300-L4A-000	UNDER COVER BK-001U	1	
2.0	64305-L4A-000	RADIATOR COVERBK -001U	1	
3.0	90308-X04-000	SPECIAL NUT 5MM	6	
4.0	93404-06016-07	BOLT WASHER 6X16	4	
5.0	93903-35280	TAPPING SCREW 5X12	2	

F20
FLOOR PANEL

MAXSYM 600I

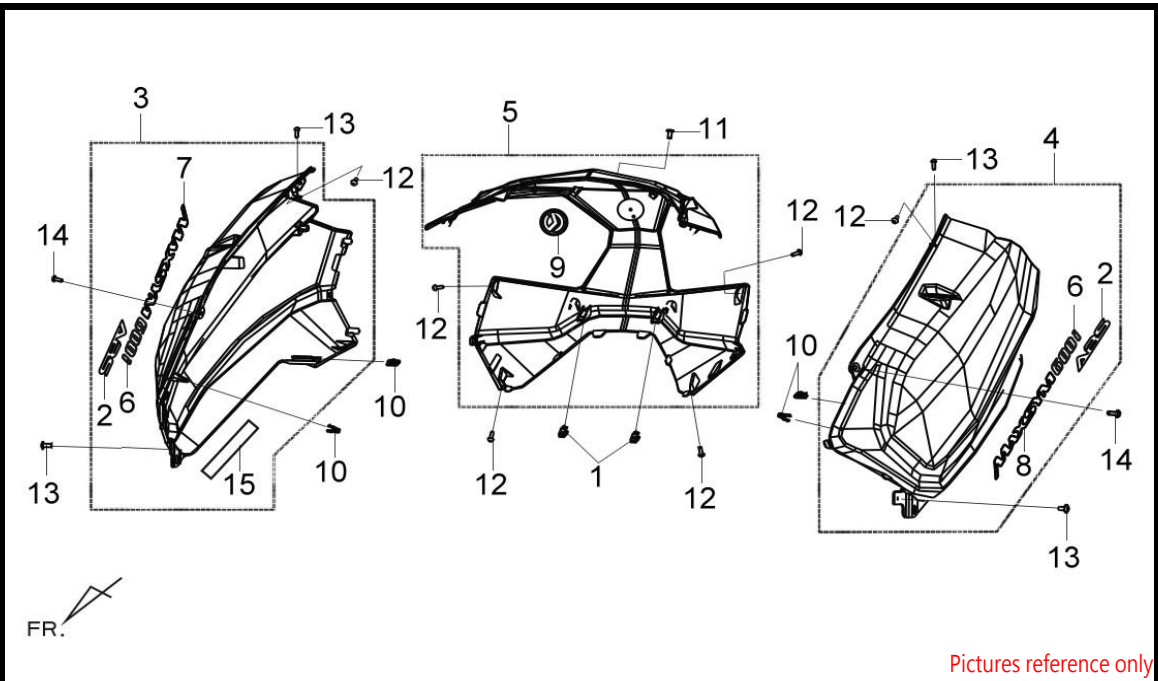


Pictures reference only

NO	PARTS NUMBER	DESCRIPTION	QTY	EFFECTIVE DATE
1.0	64303-L4C-000	PILLION STEP COLLAR	2	
2.0	64306-LEA-000	PILLION STEP CAP	2	
3.0	6431A-L4A-000-KA	RH. FLOOR PANEL ASSY(BK-001U)	1	
4.0	64321-L4A-000-KA	RH FLOOR MAT A BK-001U	1	
5.0	64322-L4A-000-KA	LH FLOOR MAT A BK-001U	1	
6.0	64323-L4A-000-KA	RH FLOOR MAT B BK-001U	1	
7.0	64324-L4A-000-KA	LH FLOOR MAT B BK-001U	1	
8.0	6433A-L4A-000	LH. FLOOR PANEL ASSY(BK-001U)	1	
9.0	90111-M9Q-800	FLANGE BOLT 6MM	2	
10.0	90308-X04-000	SPECIAL NUT 5MM	16	
11.0	93404-06016-07	BOLT WASHER 6X16	10	
12.0	93903-35220	SCREW TAPPING 5X12	2	
13.0	93903-35280	TAPPING SCREW 5X12	2	

F21
BODY COVER

MAXSYM 600I

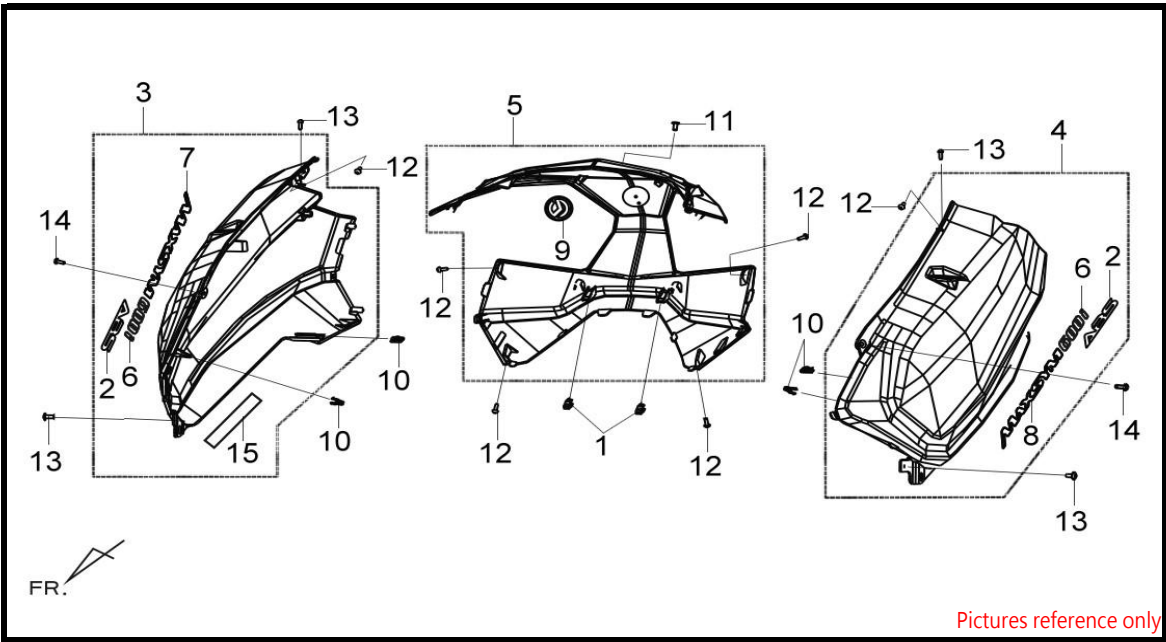


NO	PARTS NUMBER	DESCRIPTION	QTY	EFFECTIVE DATE
1.0	77405-L4A-000	CLIP	2	
2.0	83501-L4C-000	ABS EMBLEM	2	
3.0	8350G-L6C-000-KX	R. BODY COVER ASSY(BK-231S)	1	
3.0	8350G-L6C-000-JH	RH BODY COVER ASSY BK-001UL	1	
3.0	8350G-L6C-000-IP	R. BODY COVER ASSY(GY-517S)	1	
3.0	8350G-L6C-000-OQ	R. BODY COVER ASSY(S-7S)	1	
3.0	8350G-L6C-000-QU	R. BODY COVER ASSY(WH-300P)	1	
4.0	8360G-L6C-000-KX	L. BODY COVER ASSY(BK-231S)	1	
4.0	8360G-L6C-000-JH	LH BODY COVER ASSY BK-001UL	1	
4.0	8360G-L6C-000-IP	L. BODY COVER ASSY(GY-517S)	1	
4.0	8360G-L6C-000-OQ	L. BODY COVER ASSY(S-7S)	1	
4.0	8360G-L6C-000-QU	L. BODY COVER ASSY(WH-300P)	1	
5.0	8365G-L4A-000-KX	RR. COVER ASSY(BK-231S)	1	
5.0	8365G-L4A-000-JH	RR. COVER ASSY(BK-001UL)	1	
5.0	8365G-L4A-000-IP	RR. COVER ASSY GY-517S	1	
5.0	8365G-L4A-000-OQ	RR. COVER ASSY S-7S	1	
5.0	8365G-L4A-000-QU	RR. COVER ASSY WH-300P	1	
6.0	87129-HML-000	i MARK	2	
7.0	87131-L6C-000	R. BODY COVER EMBLEM	1	
8.0	87132-L6C-000	L. BODY COVER EMBLEM	1	
9.0	87553-VS1-100	FR.COVER LID EMBLEM	1	
10.0	90308-X04-000	SPECIAL NUT 5MM	4	
11.0	93891-05012-08	WASHER SCREW 5X12	1	
12.0	93903-35280	TAPPING SCREW 5X12	6	
13.0	93903-45280	TAPPING SCREW 5X12	4	

●Please check the color & stripe information according to the color index !

F21
BODY COVER

MAXSYM 600I

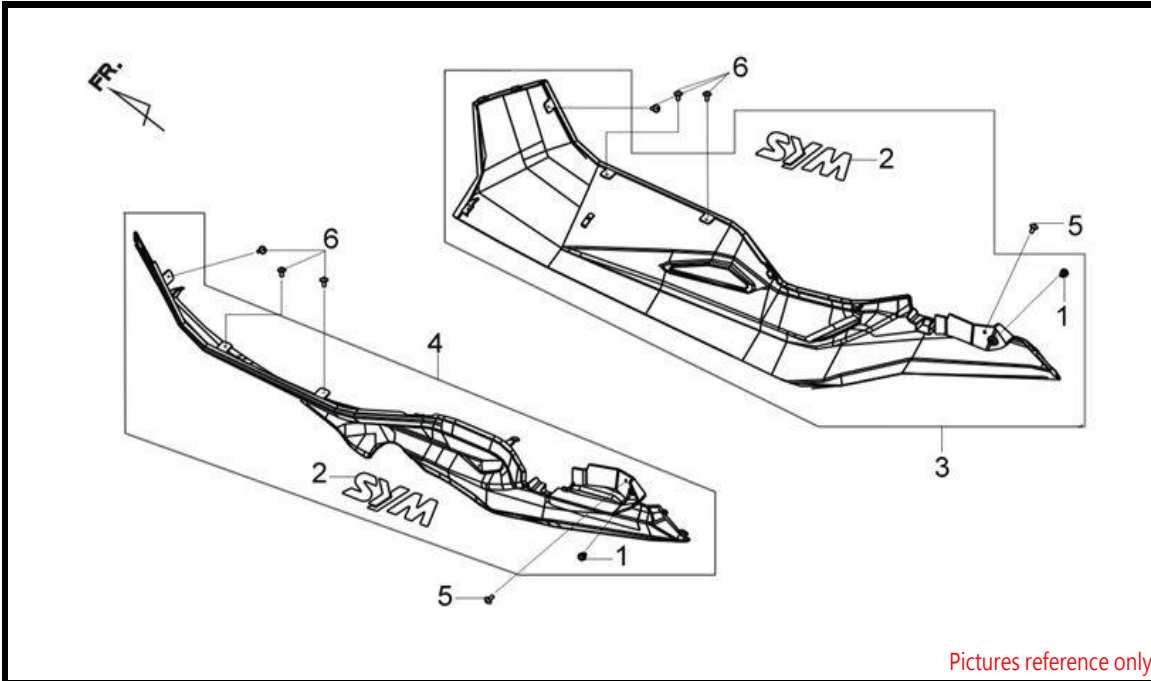


Pictures reference only

NO	PARTS NUMBER	DESCRIPTION	QTY	EFFECTIVE DATE
14.0	93903-45380	TAPPING SCREW 5X16	2	
15.0	83507-L6C-000-A	R. BODY COVER HEAT PROOF PANEL	1	

F22
SIDE COVER

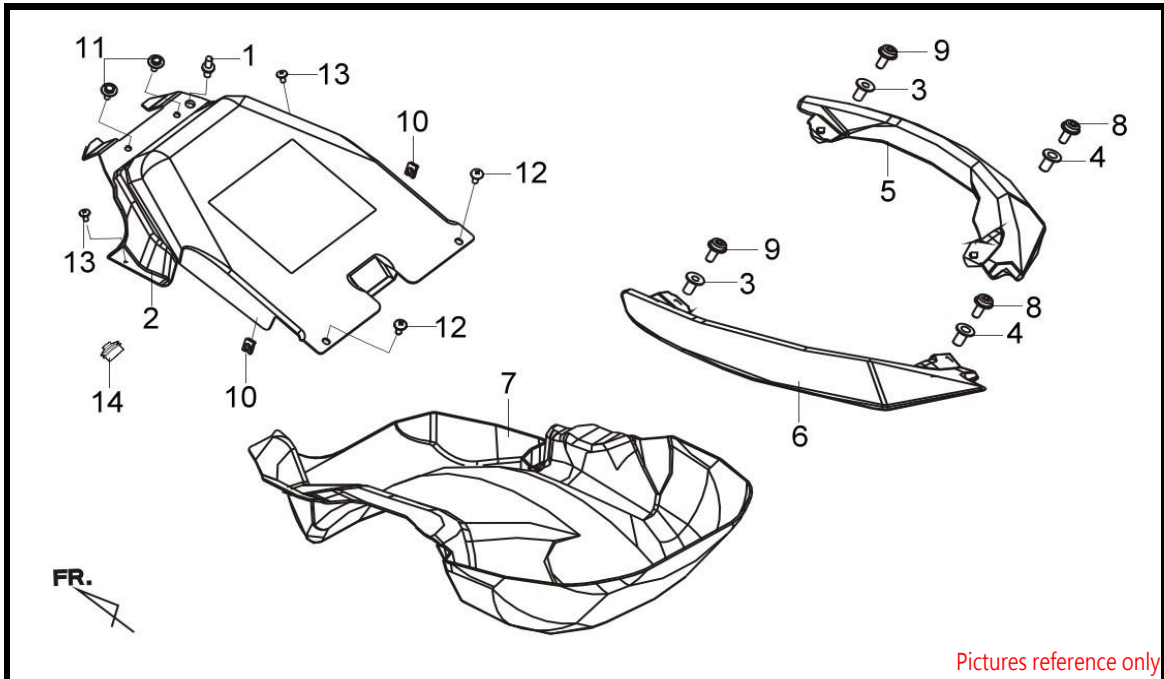
MAXSYM 600I



NO	PARTS NUMBER	DESCRIPTION	QTY	EFFECTIVE DATE
1.0	53174-RCA-000	STOPPER RUBBER	2	
2.0	83521-L4C-000	SYM MARK	2	
3.0	8352A-L6C-000-KX	R. SIDE COVER ASSY(BK-231S)	1	
3.0	8352A-L6C-000-JH	R. SIDE COVER ASSY(BK-001UL)	1	
3.0	8352A-L6C-000-IP	R. SIDE COVER ASSY(GY-517S)	1	
3.0	8352A-L6C-000-OQ	R. SIDE COVER ASSY(S-7S)	1	
3.0	8352A-L6C-000-QU	R. SIDE COVER ASSY(WH-300P)	1	
4.0	8362A-L4C-000-KX	L. SIDE COVER ASSY(BK-231S)	1	
4.0	8362A-L4C-000-JH	L. SIDE COVER ASSY(BK-001UL)	1	
4.0	8362A-L4C-000-IP	L. SIDE COVER ASSY GY-517S	1	
4.0	8362A-L4C-000-OQ	L. SIDE COVER ASSY(S-7S)	1	
4.0	8362A-L4C-000-QU	L. SIDE COVER ASSY WH-300P	1	
5.0	93903-35280	TAPPING SCREW 5X12	2	
6.0	93903-45280	TAPPING SCREW 5X12	6	

F23
RR. GRIP

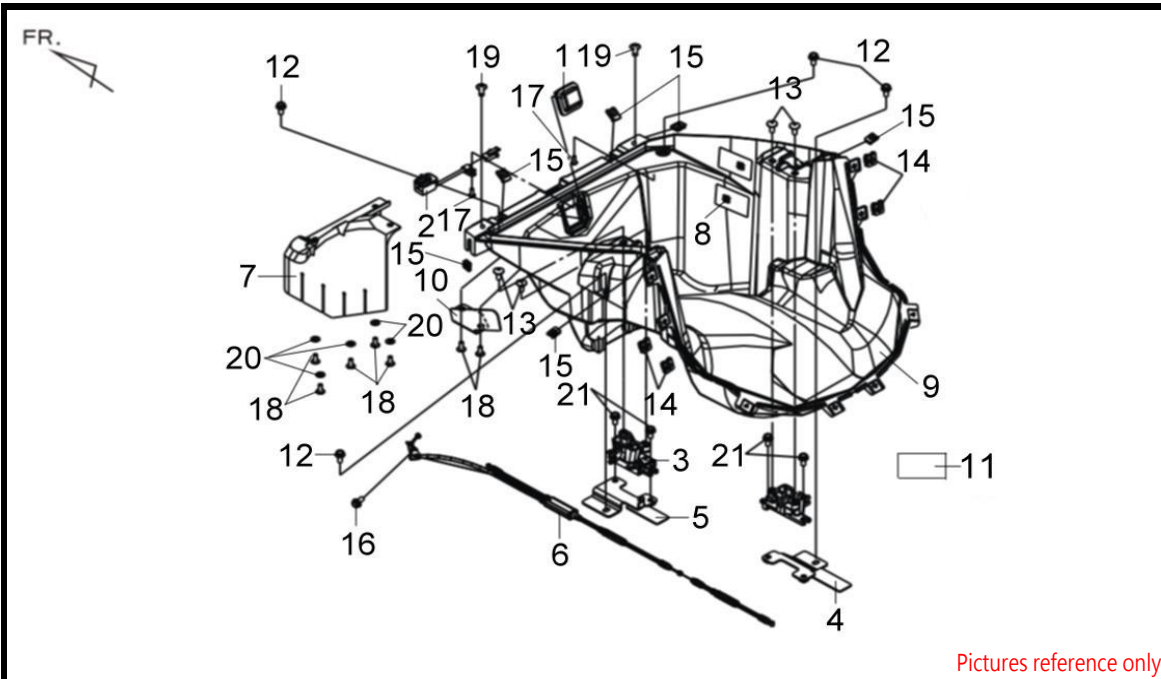
MAXSYM 600I



NO	PARTS NUMBER	DESCRIPTION	QTY	EFFECTIVE DATE
1.0	35380-L4A-000	SEAT OPEN LAMP SW	1	
2.0	64316-L4A-000	AIR BOX COVER BK-001U	1	
3.0	81204-L4A-000	RR. GRIP COLLAR A	2	
4.0	81205-L4A-000	RR. GRIP COLLAR B	2	
5.0	81310-L4A-000-KX	RH. RR. GRIP(BK-231S)	1	
5.0	81310-L4A-000-JH	RH. RR. GRIP(BK-001UL)	1	
5.0	81310-L4A-000-IP	RH. RR. GRIP GY-517S	1	
5.0	81310-L4A-000-OQ	RH. RR. GRIP S-7S	1	
5.0	81310-L4A-000-QU	RH. RR. GRIP WH-300P	1	
6.0	81320-L4A-000-KX	LH. RR. GRIP(BK-231S)	1	
6.0	81320-L4A-000-JH	LH. RR. GRIP(BK-001UL)	1	
6.0	81320-L4A-000-IP	LH. RR. GRIP GY-517S	1	
6.0	81320-L4A-000-OQ	LH. RR. GRIP S-7S	1	
6.0	81320-L4A-000-QU	LH. RR. GRIP WH-300P	1	
7.0	83630-L4A-000	LUGGAGE BOX MAT	1	
8.0	90101-L4A-000	SPECIAL BOLT 8MM	2	
9.0	90105-G19-000	SPECIAL BOLT 8MM	2	
10.0	90308-X04-000	SPECIAL NUT 5MM	2	
11.0	93404-06016-07	BOLT WASHER 6X16	2	
12.0	93903-45280	TAPPING SCREW 5X12	2	
13.0	93903-45380	TAPPING SCREW 5X16	2	
14.0	64317-L4C-000	SEAT LAMP SW. CAP	1	

F24
LUGGAGE BOX

MAXSYM 600I

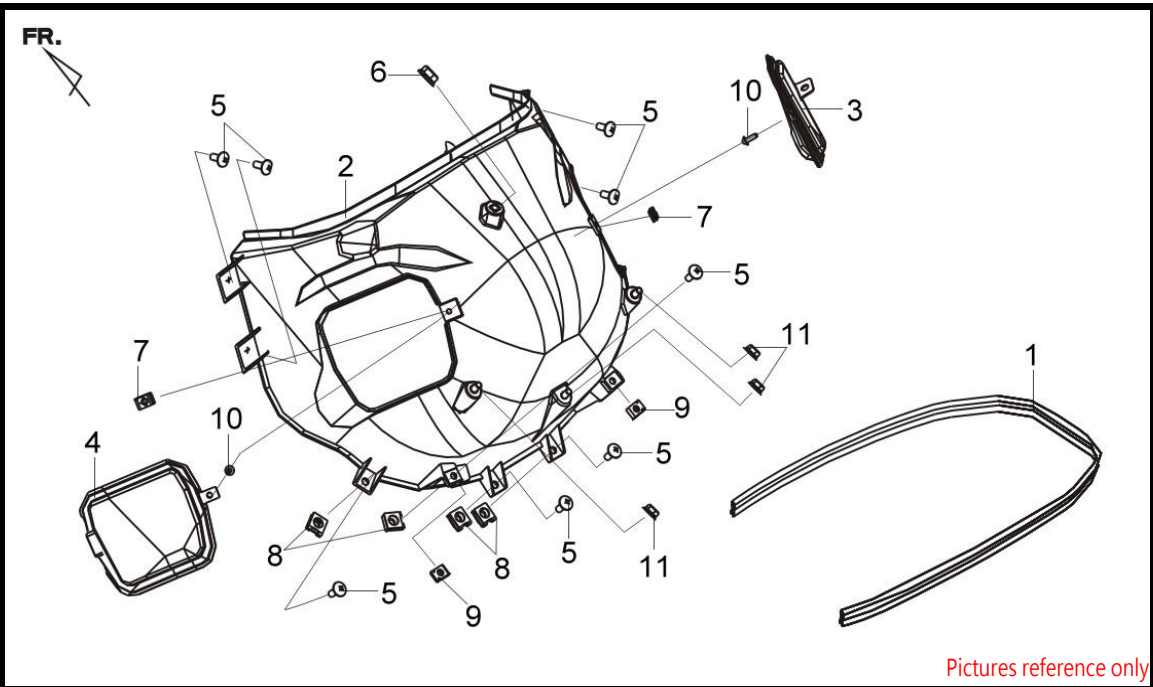


Pictures reference only

NO	PARTS NUMBER	DESCRIPTION	QTY	EFFECTIVE DATE
1.0	35370-L4A-000	LUGGAGE BOX LIGHT ASSY	1	
2.0	36600-L4A-100	ENG.START CONTROL SW	1	
3.0	77230-L4A-000	SEAT CATCH COMP	1	
4.0	77236-L4A-000	RH. SEAT CATCH STAY	1	
5.0	77238-L4A-000	LH. SEAT CATCH STAY	1	
6.0	77240-L4A-000	SEAT LOCK CABLE	1	
7.0	80104-L4A-000	LUGGAGE BOX PLATE BK-001U	1	
8.0	81219-L1A-000	LUGGAGU BOX CAUTION LABEL	1	
9.0	81250-L4A-000	LUGGAGE BOX BK-001U	1	
10.0	81251-L4A-000	LUGGAGE BOX STAY	1	
11.0	81259-L4A-000	HELMET ARRANGEMENT INST. LABEL(ENG.)	1	
12.0	90112-N01-000	FLANGE BOLT 6MM	4	
13.0	90115-G02-000	BOLT 6X16	4	
14.0	90305-M9Q-000	CLIP NUT 6MM	4	
15.0	90308-X04-000	SPECIAL NUT 5MM	6	
16.0	93891-05012-08	WASHER SCREW 5X12	1	
17.0	93903-24380	TAPPING SCREW 4X12	2	
18.0	93903-35220	SCREW TAPPING 5X12	7	
19.0	93903-45280	TAPPING SCREW 5X12	2	
20.0	94103-05800	PLAIN WASHER 5MM	5	
21.0	95801-06012-07	FLANGE BOLT 6X12	4	

F25
RR. LUGGAGE BOX

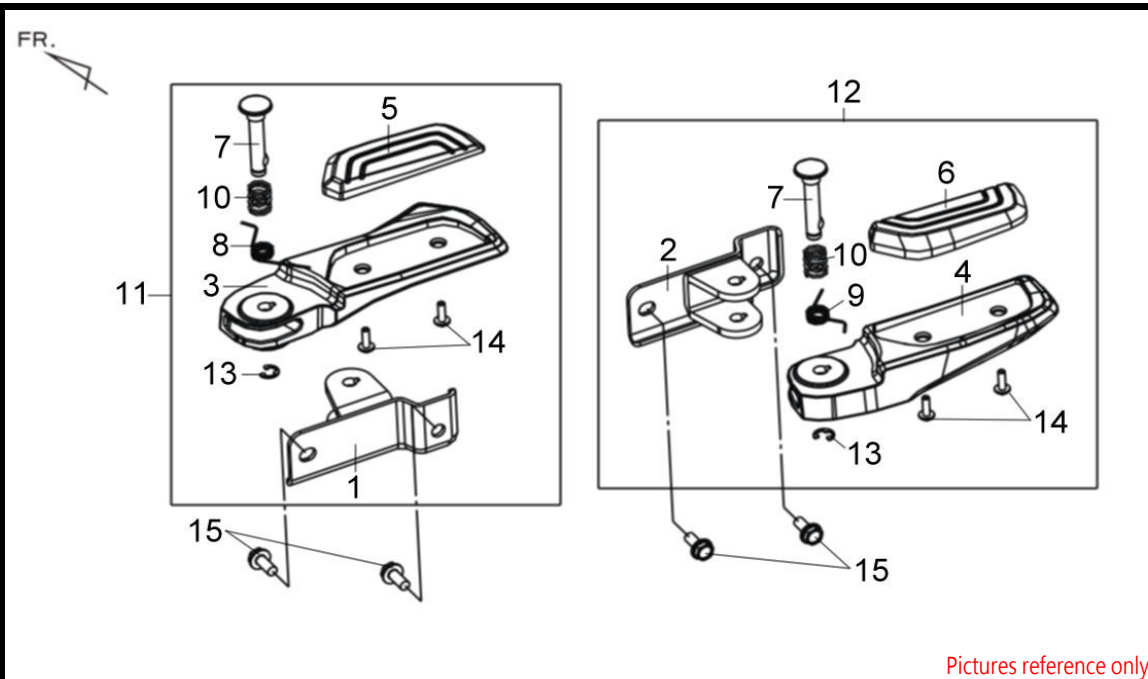
MAXSYM 600I



NO	PARTS NUMBER	DESCRIPTION	QTY	EFFECTIVE DATE
1.0	77115-L4A-000	SEAT RUBBER	1	
2.0	81254-L4A-000	RR. LUGGAGE BOX BK-001U	1	
3.0	81256-L4A-000	RH. LUGGAGE BOX CAP BK-001U	1	
4.0	81258-L4A-000	LH. LUGGAGE BOX CAP BK-001U	1	
5.0	90115-G02-000	BOLT 6X16	8	
6.0	90302-L03-000	WASHER NUT 6MM	1	
7.0	90302-M92-000	SPRING NUT 4MM	2	
8.0	90305-M9Q-000	CLIP NUT 6MM	4	
9.0	90308-X04-000	SPECIAL NUT 5MM	2	
10.0	93903-44380	TAPPING SCREW 4X12	2	
11.0	94050-06070	FLANGE NUT 6MM	3	

F26
PILLION STEP

MAXSYM 600I

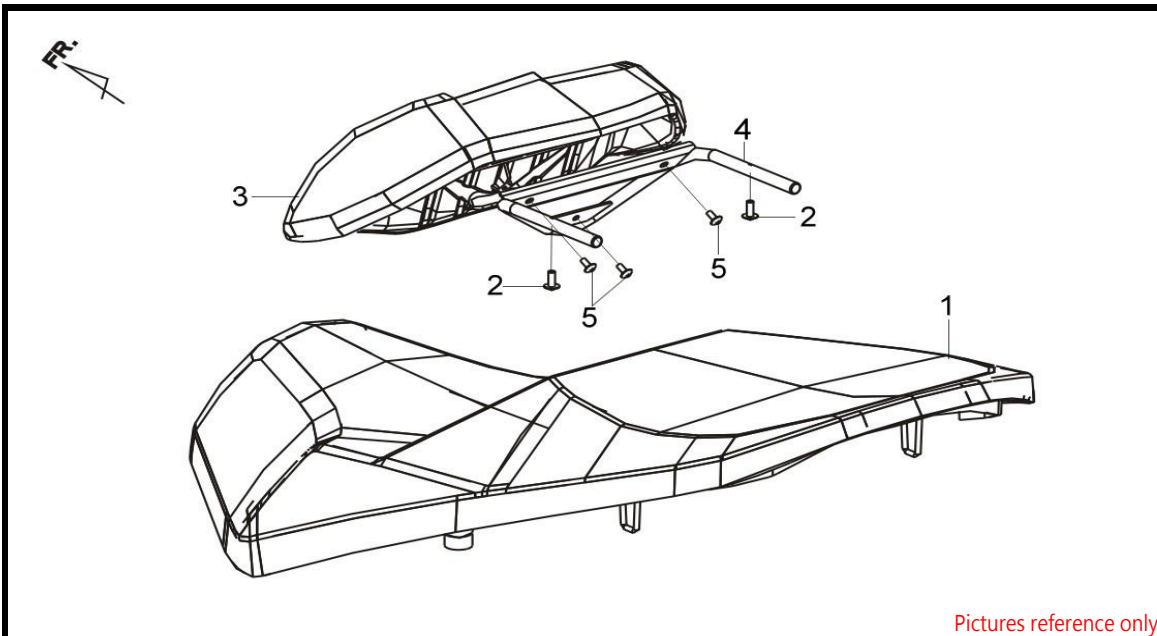


Pictures reference only

NO	PARTS NUMBER	DESCRIPTION	QTY	EFFECTIVE DATE
1.0	50613-L4A-000	RH PILLION STEP BRKT.	1	
2.0	50614-L4A-000	LH PILLION STEP BRKT.	1	
3.0	50621-L4A-000	RH.PILLION STEP	1	
4.0	50622-L4A-000	LH.PILLION STEP	1	
5.0	50623-L4A-000	R.PILLION STEP MAT BK-001U	1	
6.0	50624-L4A-000	L.PILLION STEP MAT BK-001U	1	
7.0	50625-L4A-000	PILLION STEP PIN	2	
8.0	50626-HMA-000	R. PILLION STEP SPG	1	
9.0	50627-HMA-000	L. PILLION STEP SPG	1	
10.0	50629-HMA-000	RETURN SPG	2	
11.0	5062A-L4A-010	R. PILLION STEP ASSY	1	
12.0	5062B-L6C-010	L. PILLION STEP ASSY(BK-001U)	1	
13.0	90605-166-720	CIR CLIP 7MM	2	
14.0	93892-05012-08	WASHER SCREW 5X12	4	
15.0	95801-08016-07	FLANGE BOLT 8X16	4	

F27
DOUBLE SEAT

MAXSYM 600I



Pictures reference only

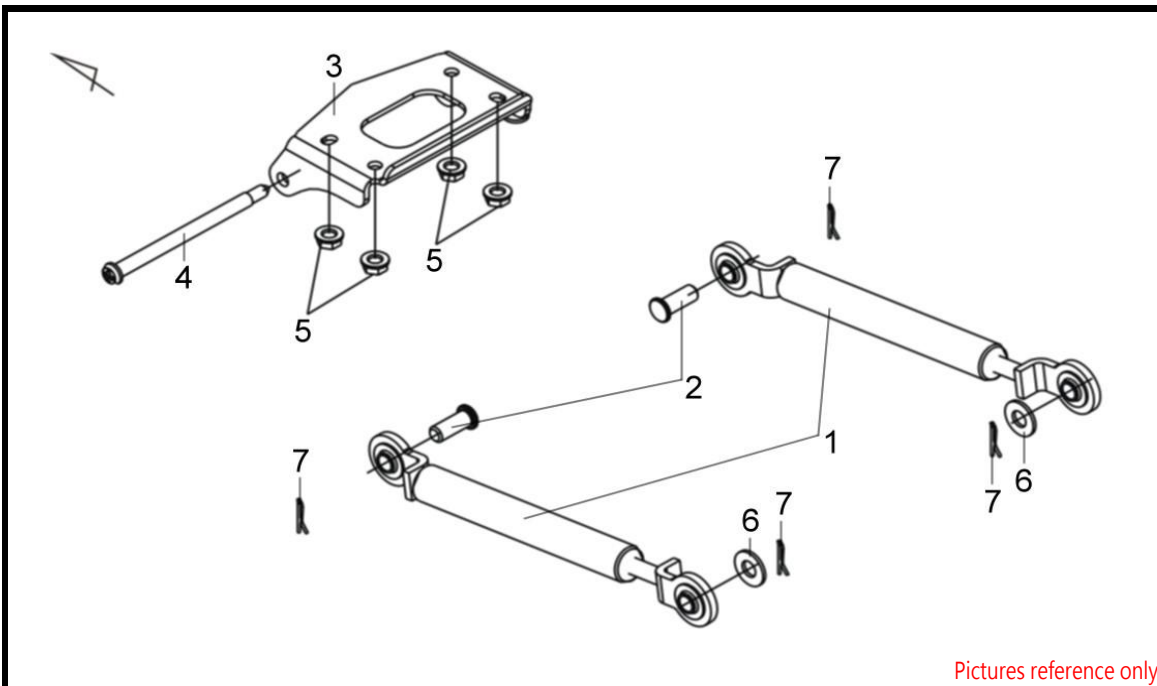
NO	PARTS NUMBER	DESCRIPTION	QTY	EFFECTIVE DATE
1.0	77200-L4A-001-T1	DOUBLE SEAT COMP (GY)	1	
1.0	77200-L4A-001-T2	DOUBLE SEAT COMP R	1	
2.0	77203-HMA-010	BACK SEAT SET BOLT	2	
3.0	77300-L4A-000-T1	FR BACK SEAT COMP (GY)	1	
4.0	77302-L4A-000	BACK SEAT ADJUST BAR	1	
5.0	93903-35280	TAPPING SCREW 5X12	3	

●Please check the color & stripe information according to the color index !

Aug-15

F29
OPEN STAY

MAXSYM 600I

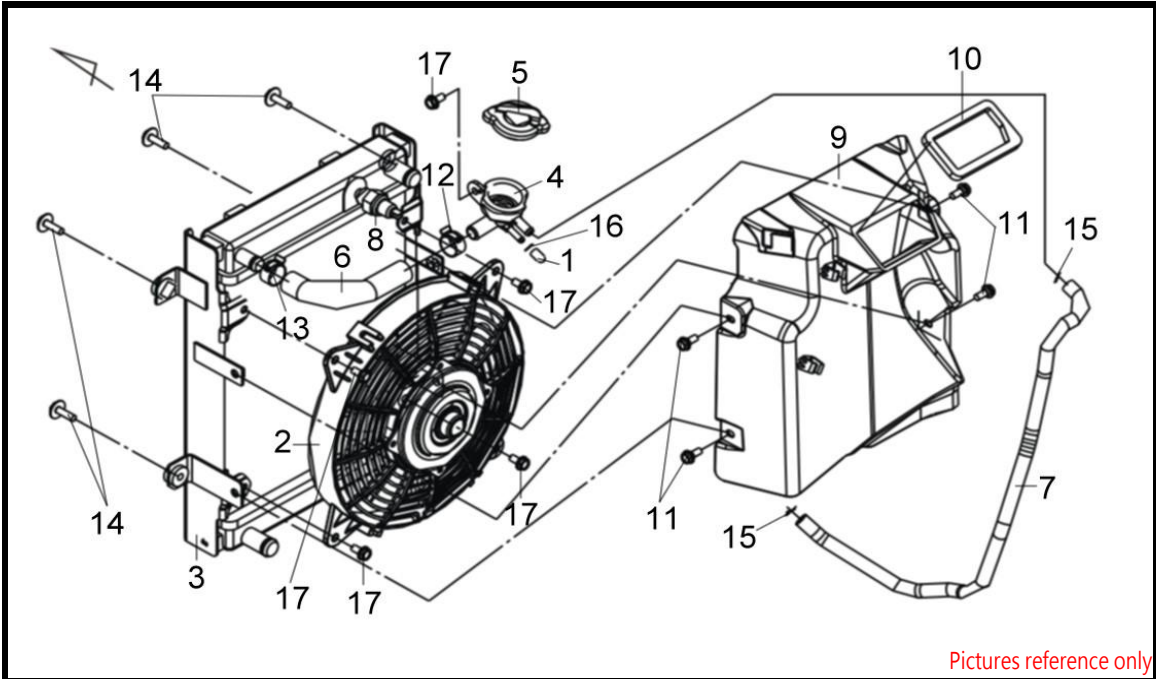


Pictures reference only

NO	PARTS NUMBER	DESCRIPTION	QTY	EFFECTIVE DATE
1.0	74480-L4A-000	OPEN STAY	2	
2.0	74481-L4A-000	OPEN STAY PIN	2	
3.0	77201-L4A-000	SEAT HINGE	1	
4.0	90106-L4A-000	HINGE PIN	1	
5.0	94050-06070	FLANGE NUT 6MM	4	
6.0	94101-08800	PLAIN WASHER 8MM	2	
7.0	94251-08400	LOCK PIN 8MM (LATCH PIN)	4	

F30
RADIATOR

MAXSYM 600I

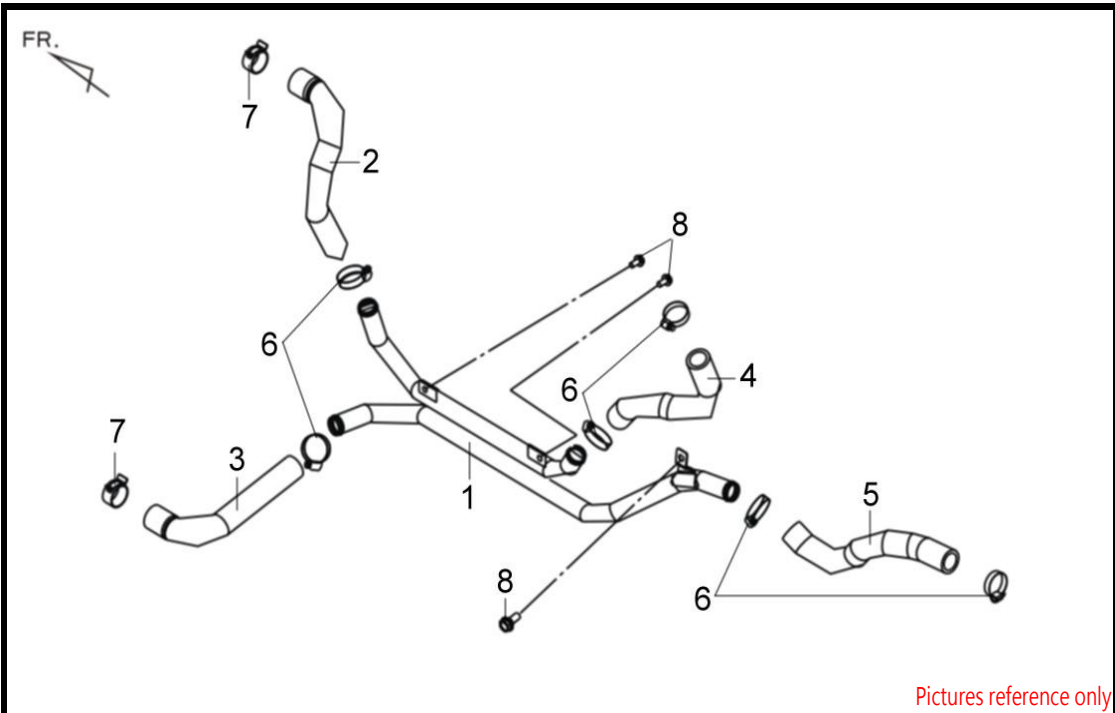


Pictures reference only

NO	PARTS NUMBER	DESCRIPTION	QTY	EFFECTIVE DATE
1.0	17236-FWA-000	TUBE PLUG	1	
2.0	19005-L4A-000	SHROUD ASSY	1	
3.0	19010-L4A-000	RADIATOR COMP	1	
4.0	19039-LVA-000	FILLER NECK	1	
5.0	19111-H9A-000	RADIATOR FILLER CAP	1	
6.0	19125-L4A-000	RADIATOR HOSE	1	
7.0	19126-L4C-000	RESERVE TANK TUBE	1	
8.0	37760-HMA-000	THERMO. SW	1	
9.0	64312-L4C-000	FUEL TANK PROTECTOR BK-001U	1	
10.0	81245-L4C-000	AIR DUCT SPONGE A	1	
11.0	90111-N01-000	FLANGE BOLT 6MM	4	
12.0	90682-SB0-671	CLAMP CNSTR HOSE	1	
13.0	91405-SS0-003	WATER HOSE CLAMP	1	
14.0	93404-06020-07	BOLT WASHER 6X20	4	
15.0	95002-02130	TUBE CLIP B 12.5	2	
16.0	95002-40800-08	TUBE CLAMPER D8.0	1	
17.0	95801-06012-07	FLANGE BOLT 6X12	5	

F31
WATER HOSE

MAXSYM 600I

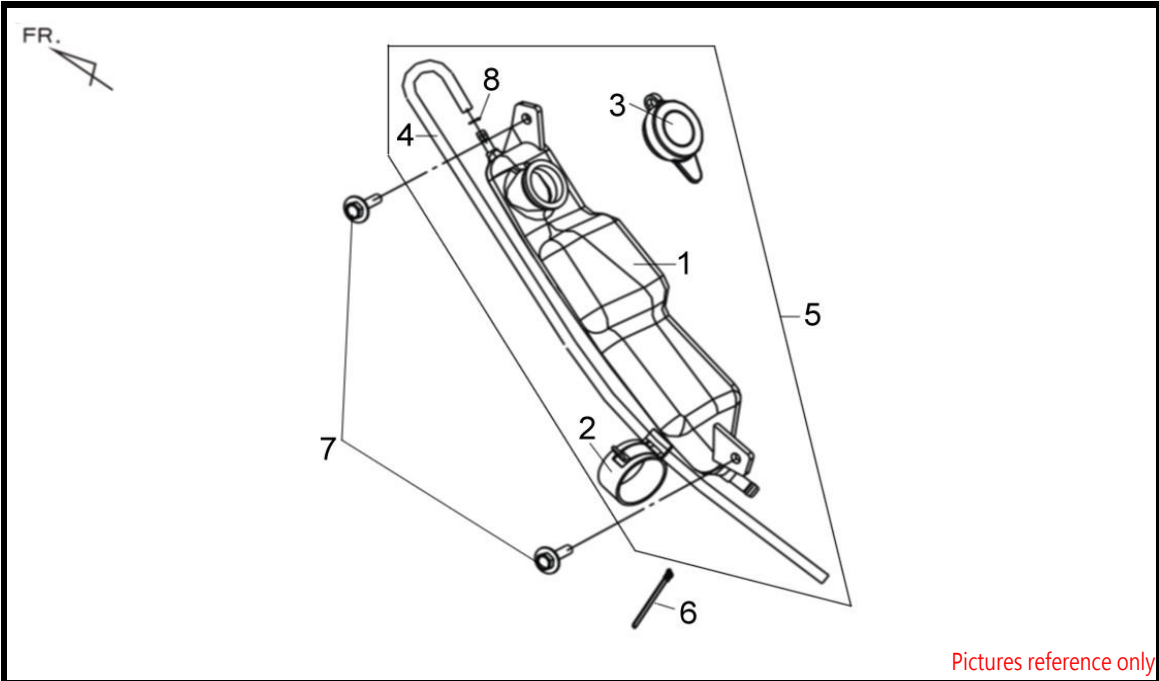


Pictures reference only

NO	PARTS NUMBER	DESCRIPTION	QTY	EFFECTIVE DATE
1.0	19110-L6C-000	WATER PIPE COMP	1	
2.0	19121-L4C-000	RADIATOR INLET HOSE	1	
3.0	19123-L4A-000	RADIATOR OUTLET HOSE	1	
4.0	19501-L6C-000	WATER HOSE A	1	
5.0	19503-L6C-000	WATER HOSE C	1	
6.0	19505-REA-000	HOSE CLAMP	6	
7.0	19511-REA-000	CLIP WATER HOSE	2	
8.0	95801-06012-07	FLANGE BOLT 6X12	3	

F32
RESERVE TANK

MAXSYM 600I

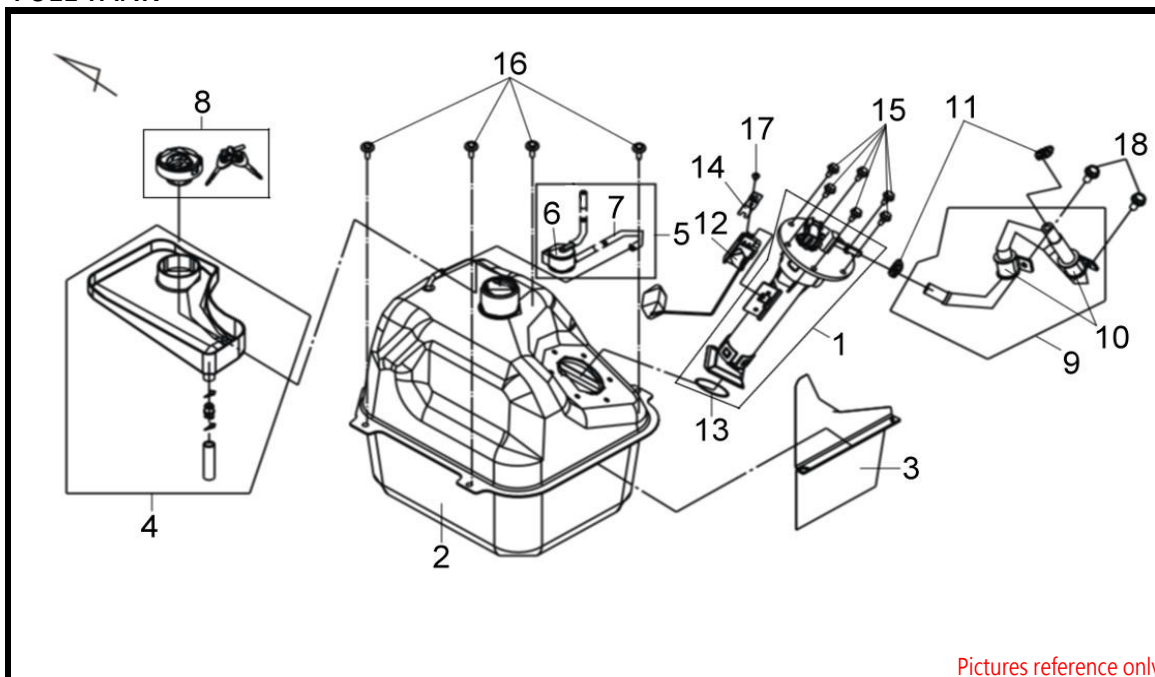


Pictures reference only

NO	PARTS NUMBER	DESCRIPTION	QTY	EFFECTIVE DATE
1.0	19101-L4A-000	RESERVE TANK	1	
2.0	19102-L4A-000	TUBE CLAMP	1	
3.0	19104-M9Q-000	RESERVE TANK CAP.	1	
4.0	19109-H9A-010	RESERVE TANK TUBE	1	
5.0	1910A-L4A-000	RESERVE TANK ASSY	1	
6.0	32161-T15-000	BAND 250	1	
7.0	93404-06012-07	WASHER BOLT 6X12	2	
8.0	95002-02080	BREATHER TUBE CLIP B8	1	

F33
FUEL TANK

MAXSYM 600I

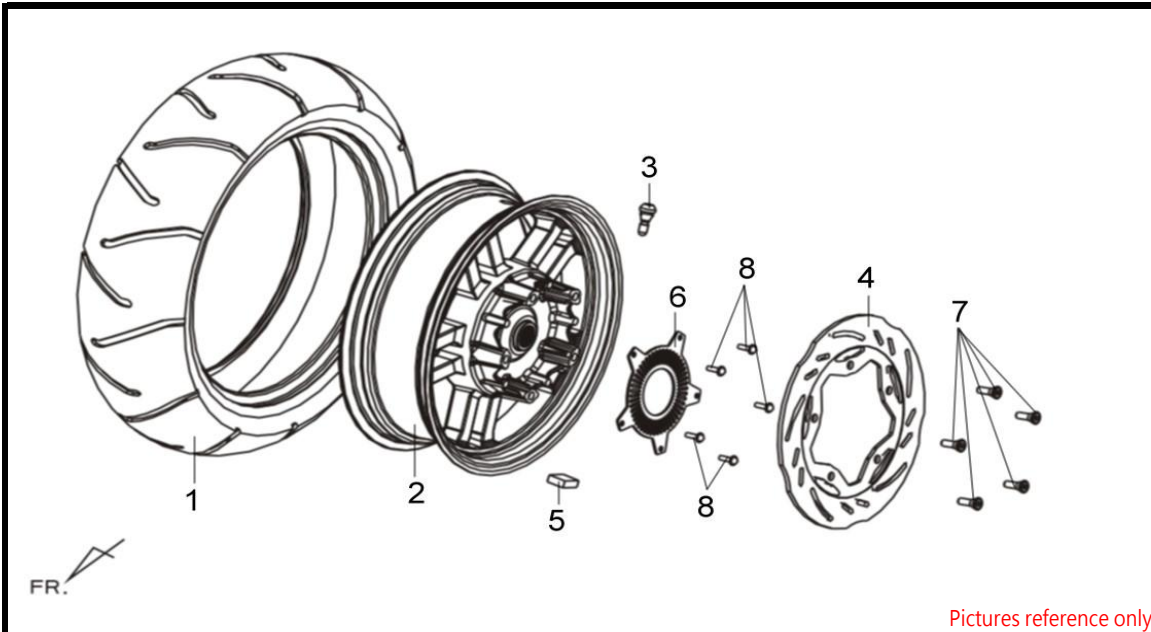


Pictures reference only

NO	PARTS NUMBER	DESCRIPTION	QTY	EFFECTIVE DATE
1.0	1670A-L4A-000	FUEL PUMP MODULE ASSY	1	
2.0	17500-L4G-000	FUEL TANK COMP	1	
3.0	17506-L4A-000	HEAT PROOF PANEL	1	
4.0	17510-L4A-000	FUEL TANK CAP RUBBER ASSYBK -001U	1	
5.0	17580-L4C-000	FUEL CUT VALVE ASSY	1	
6.0	17581-HMA-000	FUEL CUT VALVE(LIYANG)	1	
7.0	17583-L4C-000	FCV TUBE	1	
8.0	17620-L4A-000	FUEL FILLER CAP COMP	1	
9.0	17630-L6C-000	FUEL TUBE	1	
10.0	17788-L6C-000	FUEL TUBE CLAMP B	2	
11.0	19505-H5D-000	HOSE CLAMP	2	
12.0	37800-L4L-000	FUEL UNIT COMP	1	
13.0	37801-A5L-000	FUEL FILTER PACKING	1	
14.0	37804-LEA-000	FUEL UNIT STAY	1	
15.0	90106-LEA-000	FUEL PUMP BOLT	6	
16.0	93404-06012-07	WASHER BOLT 6X12	4	
17.0	93903-HGC-000	TAPPING SCREW	1	
18.0	95801-06012-08	FLANGE BOLT 6X12	2	

F34
RR. WHEEL

MAXSYM 600I



Pictures reference only

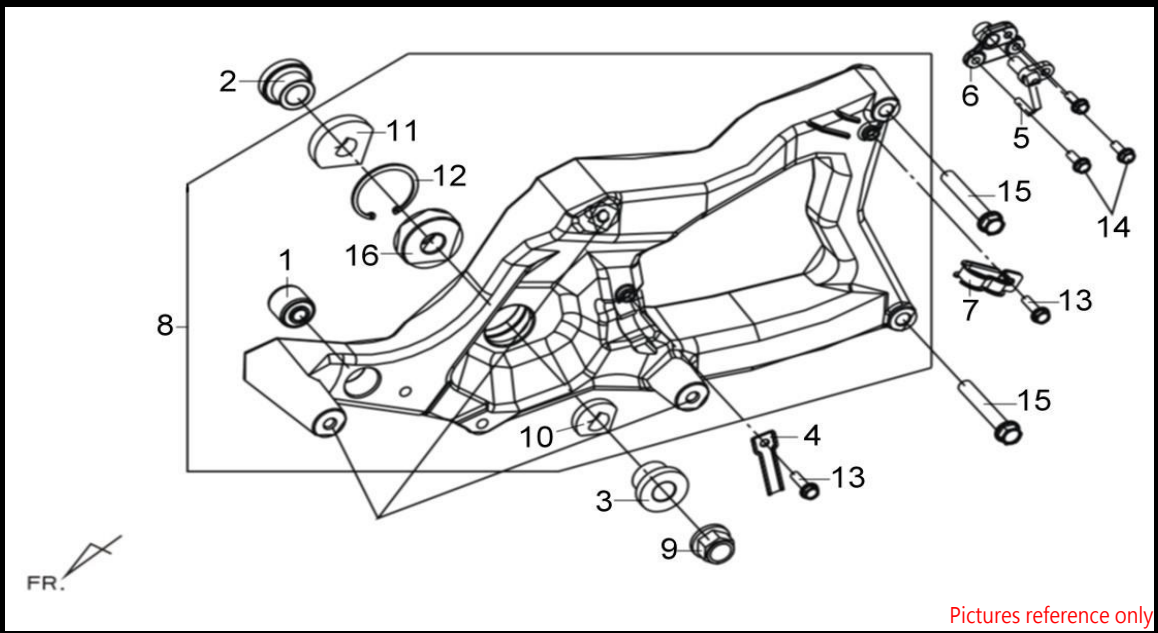
NO	PARTS NUMBER	DESCRIPTION	QTY	EFFECTIVE DATE
1.0	1T011606014-6135	RR.TIRE ASSY.(160/60 R14)	1	
2.0	42601-L4C-000-SO	RR CAST WHEEL COMP(14*4.50) S-421S(TYPE1	1	
2.0	42601-L6D-000-KB	RR CAST WHEEL COMP(14*4.50)BK-001C+R(T2)	1	
3.0	42753-KJ9-000	VALVE RIM (PVR-70B)	1	
4.0	43121-L4A-000-KB	RR.BRAKE DISK BK-001C	1	
5.0	44720-H9A-000	BALANCE WEIGHT	1	
6.0	45120-L4A-000	ABS DETECTIVE DISK	1	
7.0	90105-KR3-000	FR. DISK BOLT 8X24	5	
8.0	93500-05012-0A	PAN SCREW 5*12mm	5	

●Please check the color & stripe information according to the color index !

Aug-15

F35
RR. FORK ASSY

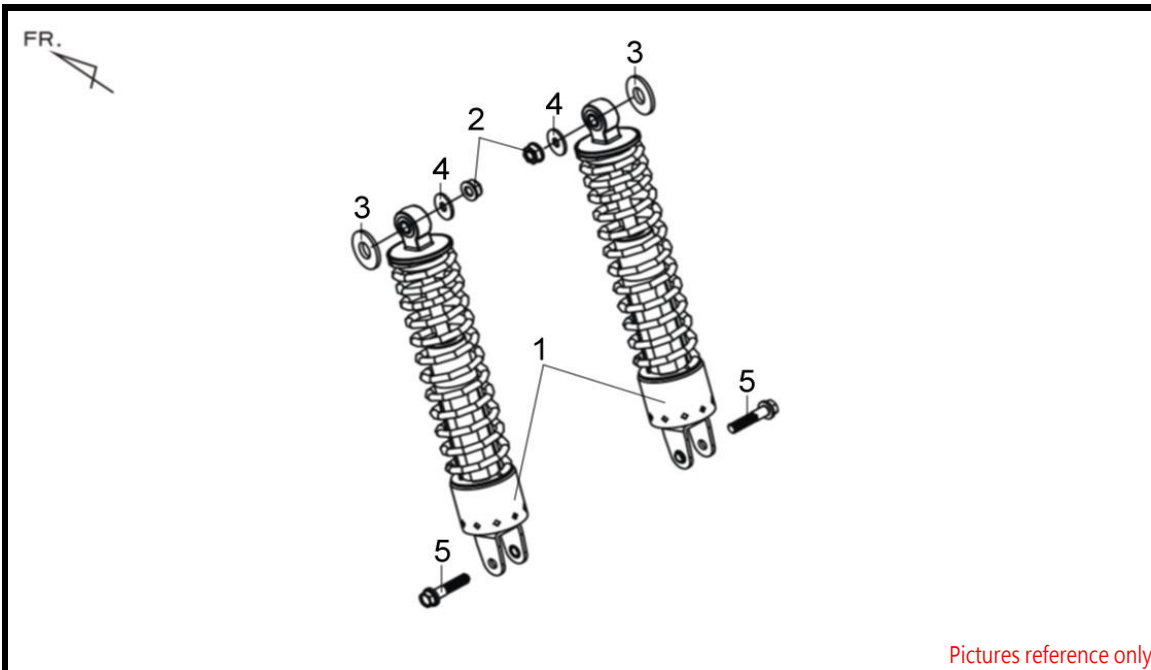
MAXSYM 600I



NO	PARTS NUMBER	DESCRIPTION	QTY	EFFECTIVE DATE
1.0	11203-L4A-000	RR.CUSH UND BUSH RUBBER	1	
2.0	42311-L6C-000	RR. AXLE COLLAR A	1	
3.0	42312-L6C-000	RR. AXLE COLLAR B	1	
4.0	43146-L4A-000	RR BRAKE HOSE CLAMP B	1	
5.0	44870-L4C-000	ABS. SPEED SENSOR	1	
6.0	44871-L4C-000	ABS. SPEED SENSOR BRKT.	1	
7.0	45125-L4A-000	RR. BRAKE HOSE CLAMP	1	
8.0	5210A-L6C-000	RR. FORK ASSY	1	
9.0	90306-L6C-000	RR. AXLE U NUT 20MM	1	
10.0	90754-L6C-000	DUST SEAL 32X45X7	1	
11.0	91203-LEA-000	OIL SEAL TC32*52*7	1	
12.0	94524-52000	CIR CLIP IN52	1	
13.0	95801-06012-07	FLANGE BOLT 6X12	2	
14.0	95801-06016-07	FLANGE BOLT 6X16	3	
15.0	95801-10075-07	FLANGE BOLT	2	
16.0	96150-62050-10	RADIAL BALL BRG. 6205LLU	1	

F36
RR. CUSHION

MAXSYM 600I

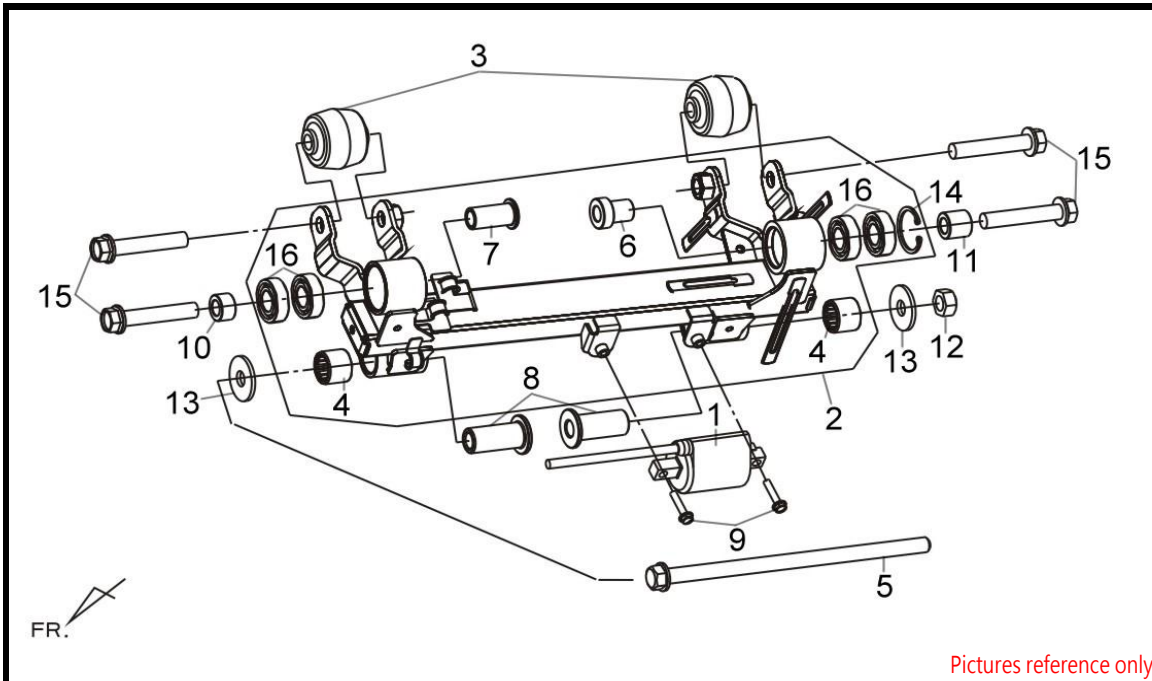


Pictures reference only

NO	PARTS NUMBER	DESCRIPTION	QTY	EFFECTIVE DATE
1.0	52400-L6C-000-KB	RR. CUSHION ASSY(BK-001C)	2	
1.0	52400-L6C-000-SO	RR. CUSHION ASSY(S-421S)	2	
2.0	90304-M9Q-000	NUT U FLANGE 10MM	2	
3.0	94101-12800	WASHER PLAIN 12MM	2	
4.0	94103-10000	PLAIN WASHER	2	
5.0	95801-10045-07	BOLT FLANGE 10X45	2	

F37
ENG. HANGER LINK

MAXSYM 600I

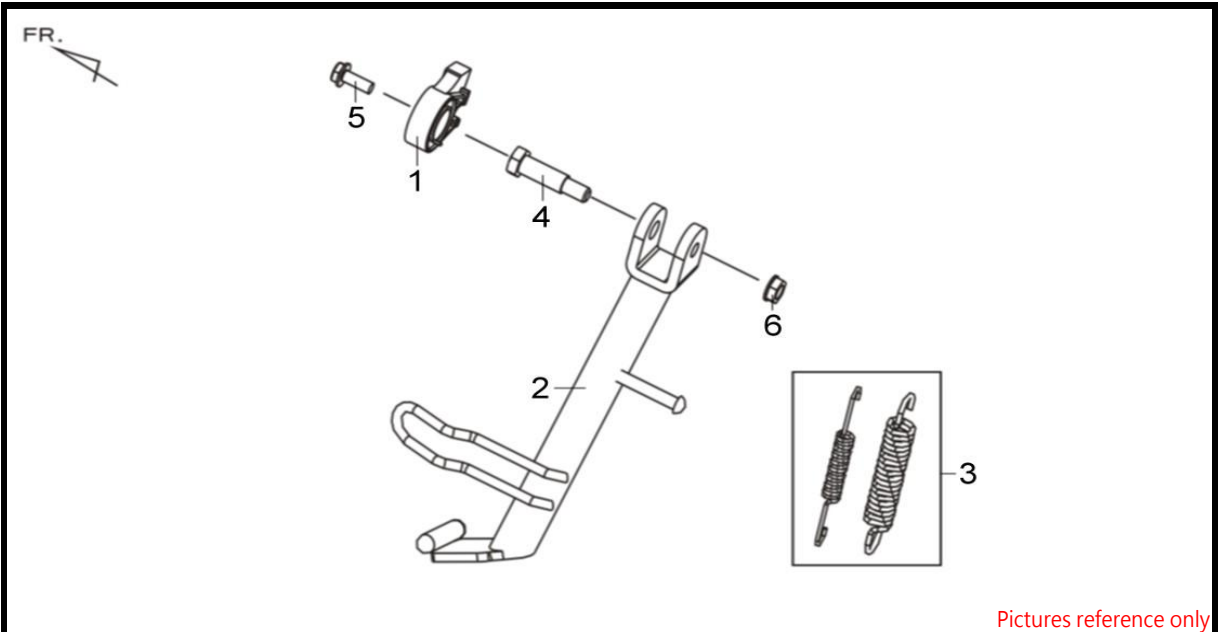


Pictures reference only

NO	PARTS NUMBER	DESCRIPTION	QTY	EFFECTIVE DATE
1.0	3051A-L6C-000	IGNITION COIL ASSY	1	
2.0	50350-L6C-000	ENG. HANGER LINK ASSY	1	
3.0	50356-L4A-000	STOPPER RUBBER BUSH	2	
4.0	50367-L4A-000	NEEDLE ROLLER BRG.	2	
5.0	90105-L6C-000	ENG HANGER AXLE	1	
6.0	90107-L6C-000	R. UP. HANGER COLLAR	1	
7.0	90108-L6C-000	L. UP. HANGER COLLAR	1	
8.0	90109-L4A-000	HANGER UNDER COLLAR	2	
9.0	90112-M9Q-000	FLANGE BOLT 5*22	2	
10.0	90121-L4A-000	DISTANCE COLLAR(R)	1	
11.0	90121-L6C-000	DISTANCE COLLAR	1	
12.0	90306-M9Q-000	SELF LOCK NUT 12MM	1	
13.0	94103-12800	PLAIN WASHER	2	
14.0	94520-35000	CIRCLIP IN 35MM	1	
15.0	95801-12065-07	FLANGE BOLT 12*65	4	
16.0	96150-60033-10	RADIAL BALL BEARING 6003UU	4	

F38
SIDE STAND

MAXSYM 600I



Pictures reference only

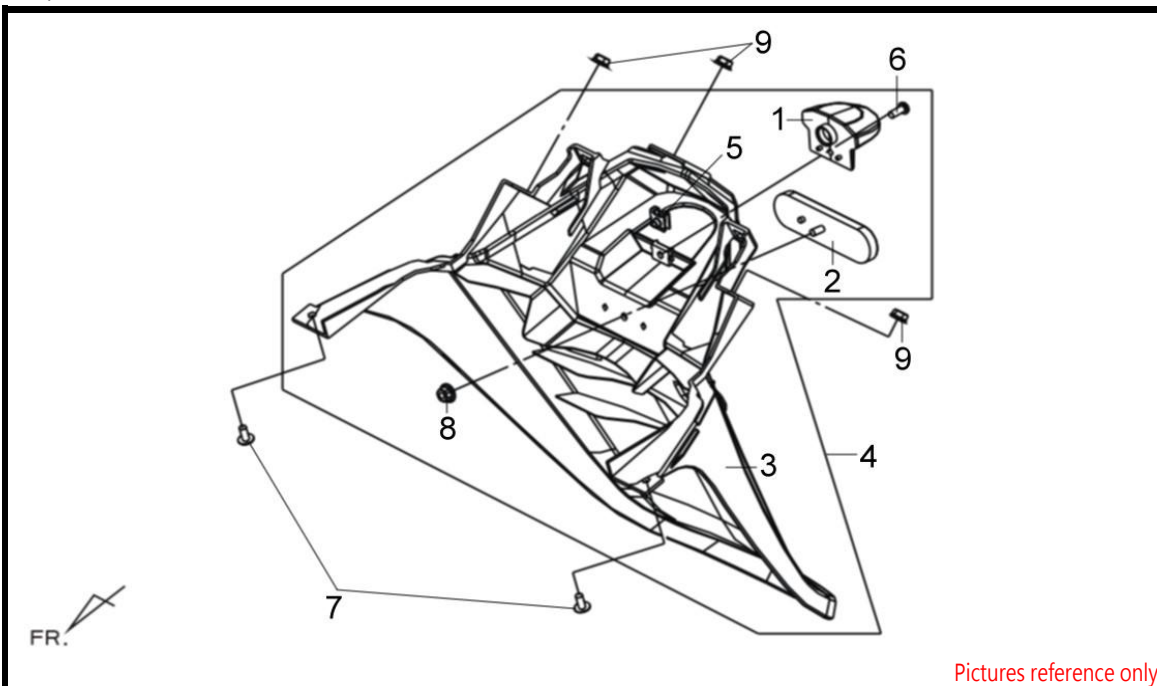
NO	PARTS NUMBER	DESCRIPTION	QTY	EFFECTIVE DATE
1.0	36500-HMA-000	SIDE STAND SW COMP	1	
2.0	50530-L4A-000	SIDE STAND COMP	1	
3.0	5053A-HMA-000	SIDE STAND SPRING ASSY.	1	
4.0	90108-HMA-000	SIDE STAND PIVOT SCREW	1	
5.0	93404-06016-07	BOLT WASHER 6X16	1	
6.0	94030-08080	HEX NUT 8MM	1	

●Please check the color & stripe information according to the color index !

Aug-15

F39
RR. FENDER

MAXSYM 600I

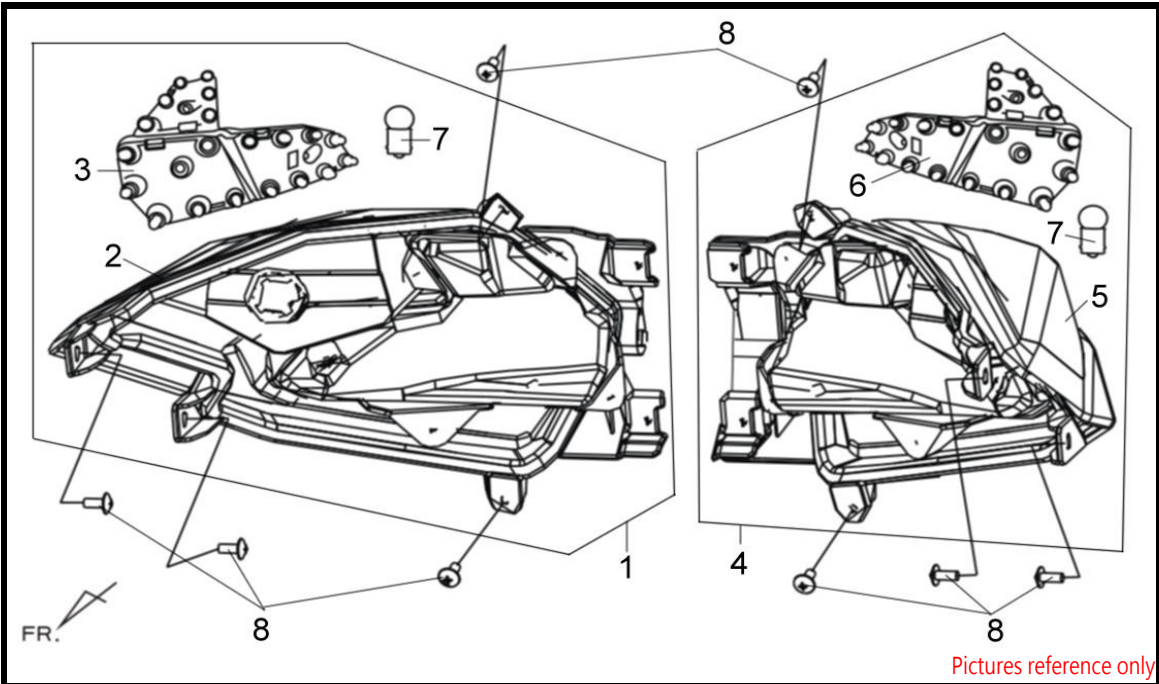


Pictures reference only

NO	PARTS NUMBER	DESCRIPTION	QTY	EFFECTIVE DATE
1.0	33740-E4D-010	LICENCE LIGHT ASSY	1	
2.0	33743-REC-000	SIDE REFLEX REFLECTOR	1	
3.0	80100-L4A-000	RR.FENDER BK-001U	1	
4.0	8010A-L4A-000-KA	RR. FENDER ASSY (BK-001U)	1	
5.0	90303-RCA-000	SUS NUT 5MM	1	
6.0	93500-05016-0H	PAN SCREW 5X16	1	
7.0	93903-35220	SCREW TAPPING 5X12	2	
8.0	94050-04080	FLANGE NUT 4MM	1	
9.0	94050-06070	FLANGE NUT 6MM	3	

F40
TAIL LIGHT ASSY

MAXSYM 600I

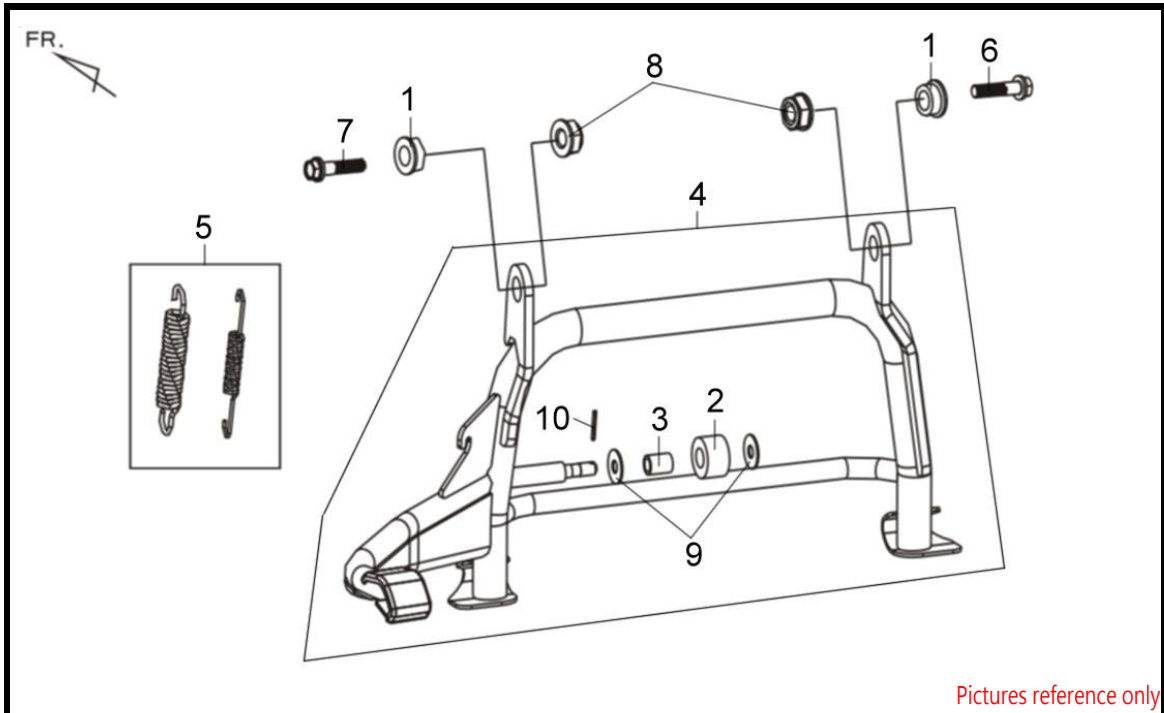


Pictures reference only

NO	PARTS NUMBER	DESCRIPTION	QTY	EFFECTIVE DATE
1.0	33700-L4A-000	R.TAIL LIGHT ASSY	1	
2.0	33705-L4A-000	R. TAIL LIGHT LENS ASSY	1	
3.0	33706-L4A-000	R. TAIL LIGHT LED UNIT	1	
4.0	33750-L4A-000	L.TAIL LIGHT ASSY	1	
5.0	33755-L4A-000	L. TAIL LIGHT LENS ASSY	1	
6.0	33756-L4A-000	L. TAIL LIGHT LED UNIT	1	
7.0	34905-A8D-000	WINKER BULB(12V10W E MARK)	2	
8.0	93903-35280	TAPPING SCREW 5X12	8	

F41
MAIN STAND ASSY

MAXSYM 600I

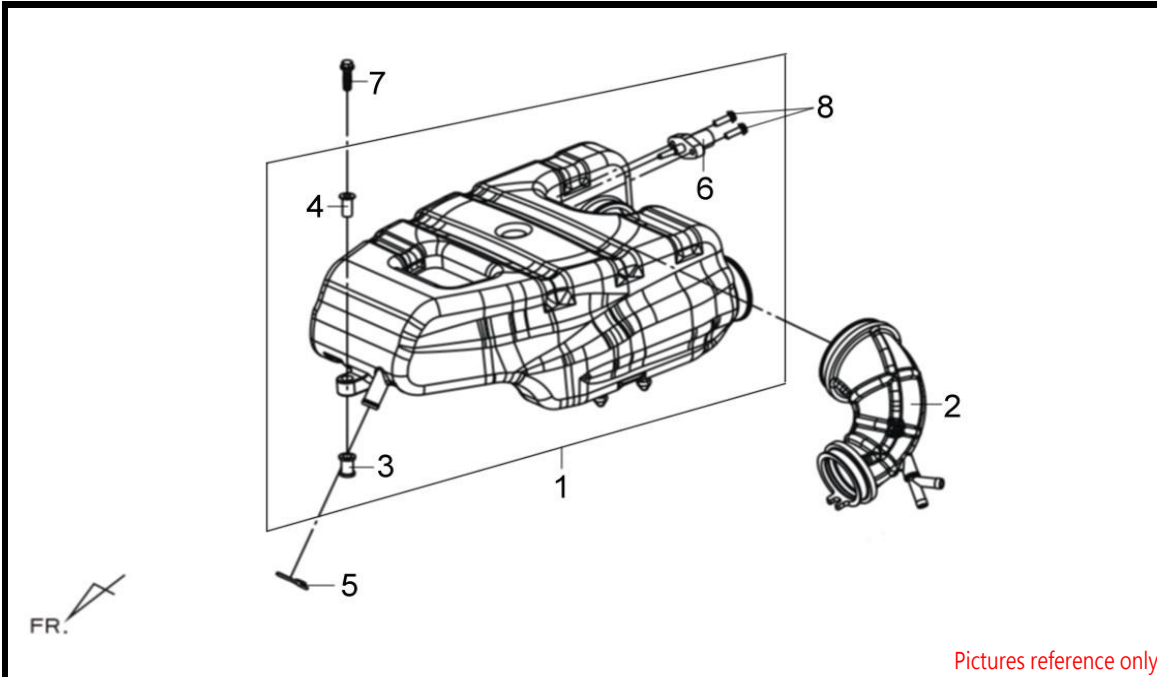


Pictures reference only

NO	PARTS NUMBER	DESCRIPTION	QTY	EFFECTIVE DATE
1.0	50502-GY6-900	MAIN STAND COLLAR	2	
2.0	50505-H3A-000	STAND STOPPER RUBBER	1	
3.0	50506-H3A-000	STOP RUBBER COLLAR	1	
4.0	5050A-L4A-000	MAIN STAND ASSY	1	
5.0	5052A-L4C-000	SIDE STAND SPRING ASSY	1	
6.0	90116-HHA-000	MAIN STAND PIVOT BOLT	1	
7.0	90117-L6C-000	FLANGE BOLT 10X45	1	
8.0	90304-M9Q-000	NUT U FLANGE 10MM	2	
9.0	94102-08800	PLAIN WASHER 8mm	2	
10.0	94201-25200	PIN SPLIT 2.5X20	1	

F42
AIR/C BOX ASSY

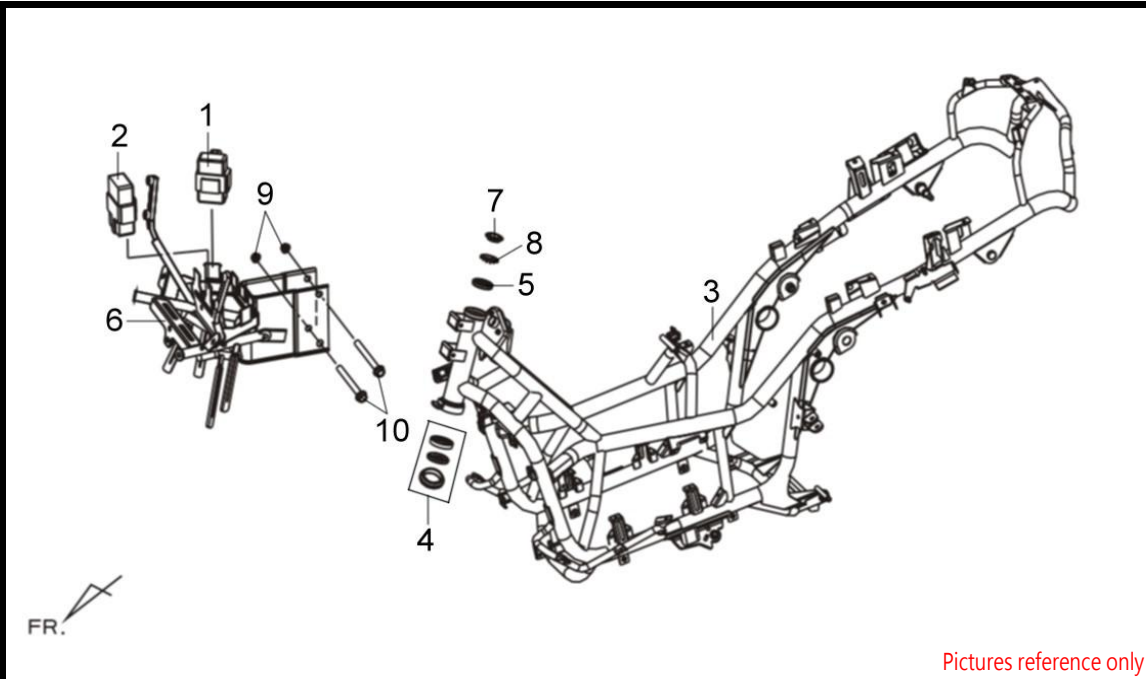
MAXSYM 600I



NO	PARTS NUMBER	DESCRIPTION	QTY	EFFECTIVE DATE
1.0	1723A-L4A-000	AIR/C BOX ASSY	1	
2.0	17254-L6C-000	AIR/C CONNECTING TUBE B	1	
3.0	17257-L4A-000	AIR BOX COLLAR	1	
4.0	17258-L4A-000	AIR BOX RUBBER	1	
5.0	18533-M7Q-000	AIR HOSE CLIP 19	1	
6.0	37830-HMC-000	AIR TEMP SENSOR	1	
7.0	90002-L4A-000	SPECIAL BOLT	1	
8.0	93891-05016-07	WASHER SCREW 5X16	2	

F43
FRAME BODY SET

MAXSYM 600I

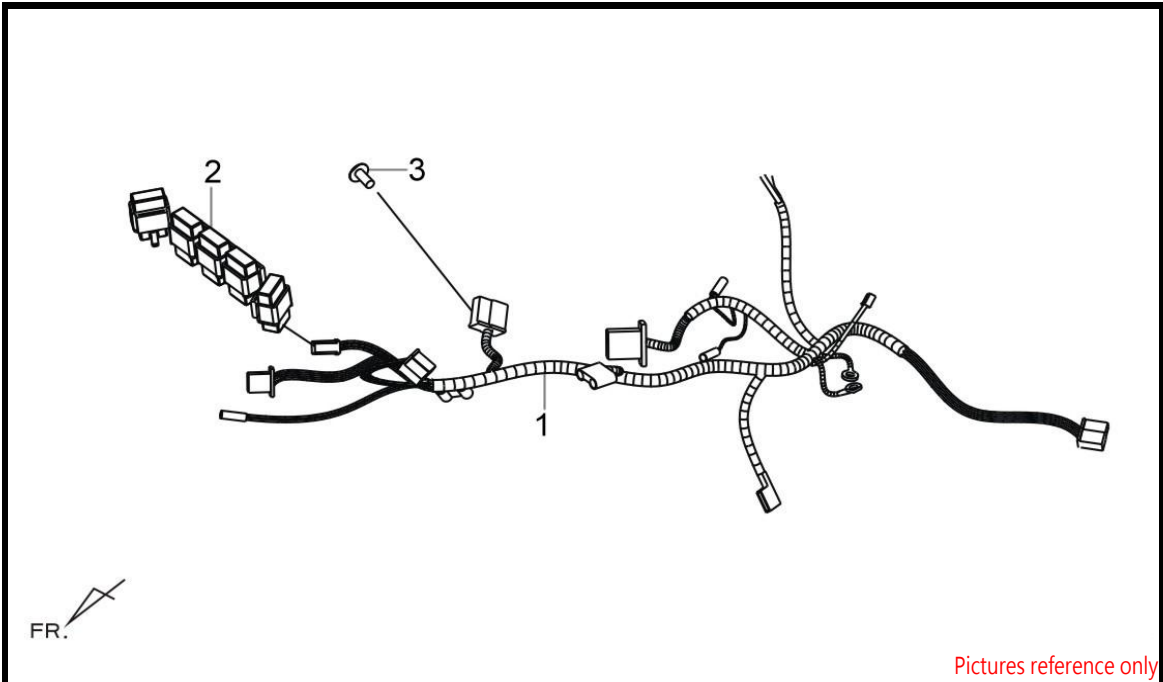


Pictures reference only

NO	PARTS NUMBER	DESCRIPTION	QTY	EFFECTIVE DATE
1.0	3043A-REA-000	BATTERY OPEN CONTROL ASSY	1	
2.0	3872A-L4A-000	HAZARD CONTROL UNIT ASSY	1	
3.0	5010N-L6M-000	FRAME BODY SET(BK-001C)	1	
4.0	50300-L4A-000	BALL RACE SET	1	
5.0	50301-HMA-000	RACE UP STRG BALL	1	
6.0	50315-L4C-000	FR.COVER STAY	1	
7.0	53211-HMA-000	STRG. UP CONE RACE	1	
8.0	53215-HMA-000	STEEL BALL UP ASSY.	1	
9.0	94050-08080	FLANGE NUT 8MM	2	
10.0	95801-08065-08	FLANGE BOLT 8X65	2	

F44
WIRE HARNESS

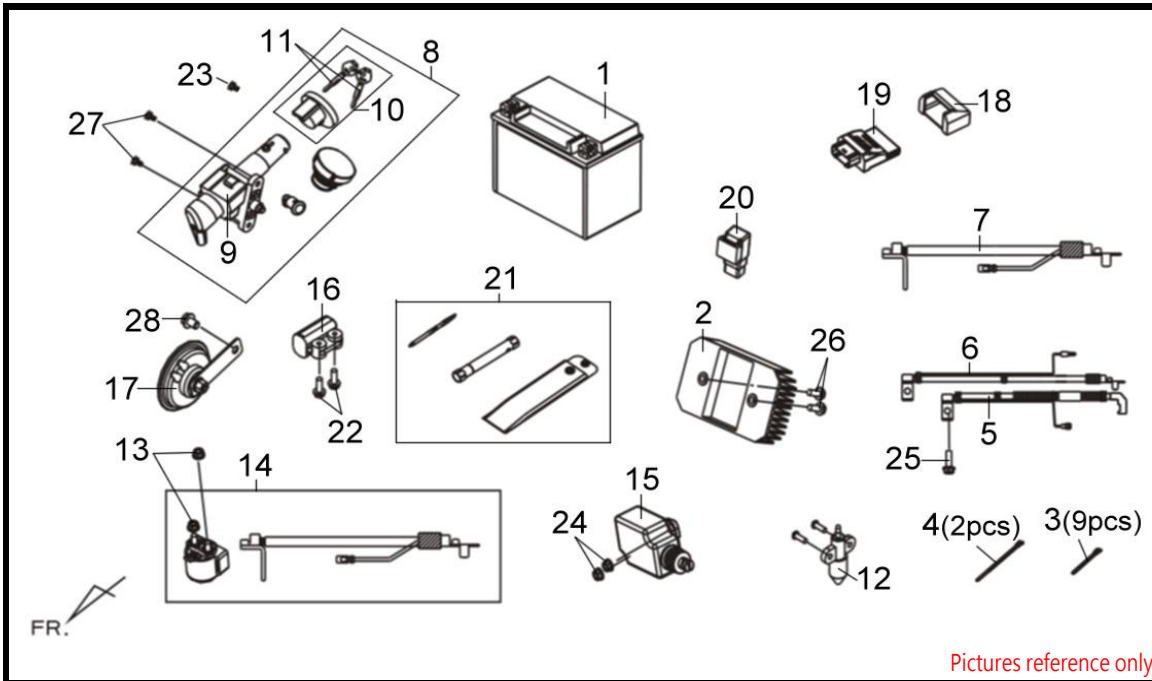
MAXSYM 600I



NO	PARTS NUMBER	DESCRIPTION	QTY	EFFECTIVE DATE
1.0	32100-L6C-030	WIRE HARNESS	1	
2.0	3850A-HLA-100	ELEC. RELAY ASSY	5	
3.0	93903-34380	TAPPING SCREW 4X12	1	

F45
ELECTRICAL PARTS

MAXSYM 600I

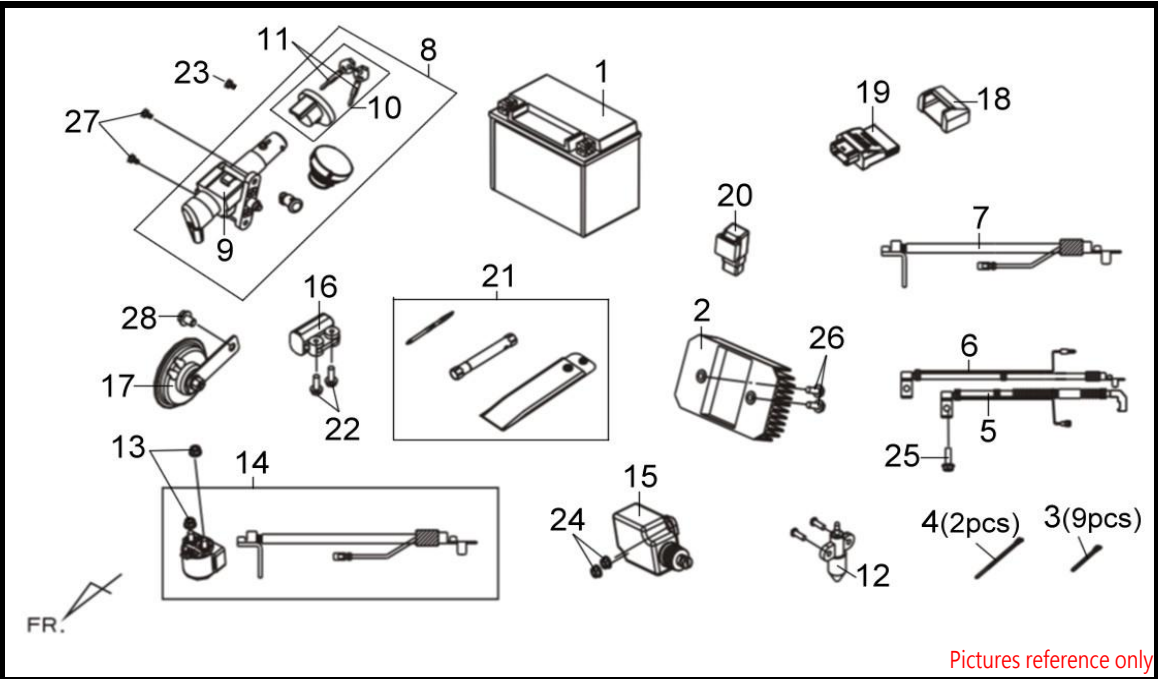


Pictures reference only

NO	PARTS NUMBER	DESCRIPTION	QTY	EFFECTIVE DATE
1.0	1Y01L4A01-Y	BATTERY ASSY(TZ14S)	1	
2.0	31600-L4A-000	REG. REC. ASSY	1	
3.0	32160-A3A-900	WIRE BAND 200X8	9	
4.0	32161-T15-000	BAND 250	2	
5.0	32411-L4A-000	BATTERY CABLE	1	
6.0	32412-L4A-010	EARTH CABLE A	1	
7.0	32415-L4A-000	EARTH CABLE B	1	
8.0	35010-L4A-100	KEY SET	1	
9.0	35100-L4A-000	COMB.SW.ASS'Y	1	
10.0	35110-L4A-100	SHUTTER COMP	1	
11.0	35111-L4A-000-B01	KEY	1	
12.0	35380-L4A-000	SEAT OPEN LAMP SW	1	
13.0	35859-M9Q-000	STAR MAG. SW NUT	2	
14.0	3585A-L4A-000	START MAG. SW. ASSY	1	
15.0	35880-HMB-000	LINER MOTOR ASSY.	1	
16.0	36100-MMA-100	ROLL OVER SENSOR ASSY	1	
17.0	38110-L4A-000	HORN COMP	1	
18.0	38700-L4A-000	ECU SUSPENSION	1	
19.0	38710-L4A-000-12	ENG.CONT UNIT(L6C-01D)	1	
20.0	38800-H5B-000	ELECTRIC RELAY UNIT	1	
21.0	89010-L4C-000	TOOL SET	1	
22.0	93891-04022-08	SCREW WASHER 4X22	2	
23.0	93891-05008-08	WASHER SCREW 5*8	1	
24.0	94050-06070	FLANGE NUT 6MM	2	
25.0	95801-06012-08	FLANGE BOLT 6X12	1	

F45
ELECTRICAL PARTS

MAXSYM 600I

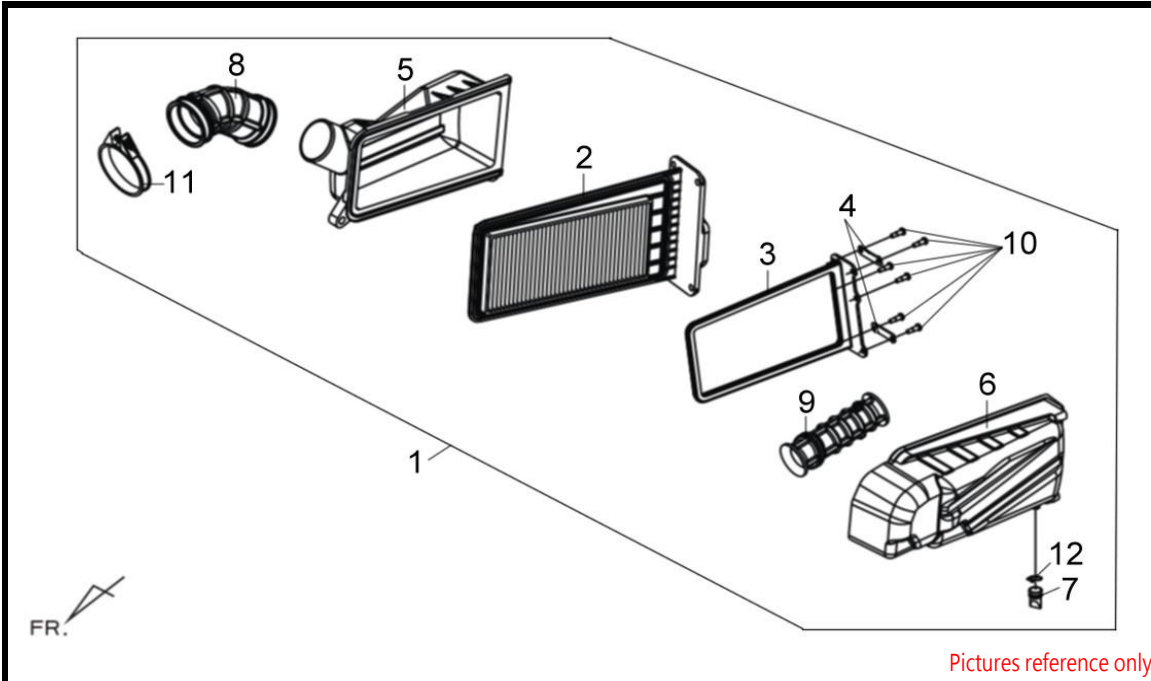


Pictures reference only

NO	PARTS NUMBER	DESCRIPTION	QTY	EFFECTIVE DATE
26.0	95801-06016-08	FLANGE BOLT 6X16	2	
27.0	95801-06018-07	FLANGE BOLT	2	
28.0	95801-08012-07	FLANGE BOLT 8X12	1	

F46
AIR/C ASSY

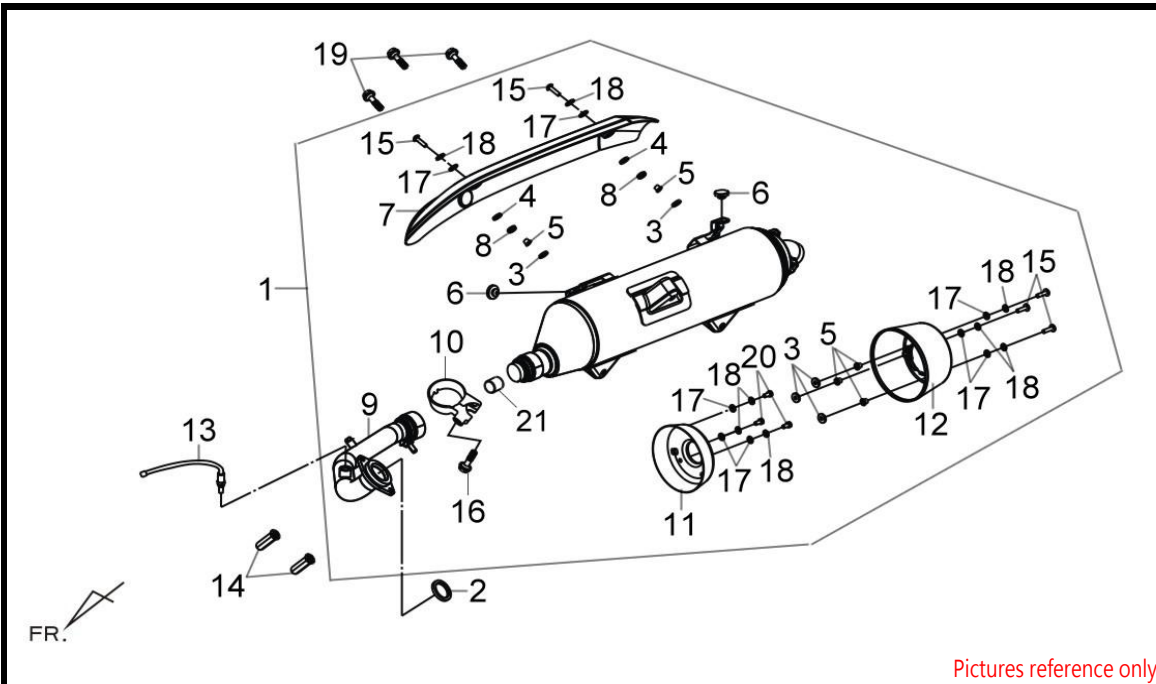
MAXSYM 600I



NO	PARTS NUMBER	DESCRIPTION	QTY	EFFECTIVE DATE
1.0	17200-L4A-000	AIR/C ASSY	1	
2.0	17211-L4A-000	AIR/C ELEMENT	1	
3.0	17215-L4A-000	AIR/C ELEMENT RUBBER	1	
4.0	17219-L4A-000	ELEMENT SETTING PLATE	2	
5.0	17230-L4A-000	AIR/C CASE	1	
6.0	17231-L4A-000	AIR/C COVER	1	
7.0	17234-M51-000	AIR CLEANER DRAIN TUBE	1	
8.0	17253-L4A-000	AIR/C CONN.TUBE A	1	
9.0	17255-L4A-000	AIR/C.INLET DUCT	1	
10.0	90001-L4A-000	SPECIAL BOLT 5*19	6	
11.0	90652-REA-000	A/C CONNECTING TUBE BAND 62	1	
12.0	95002-80000	TUBE CLIP C12	1	

F47
EXH. MUFFLER

MAXSYM 600I

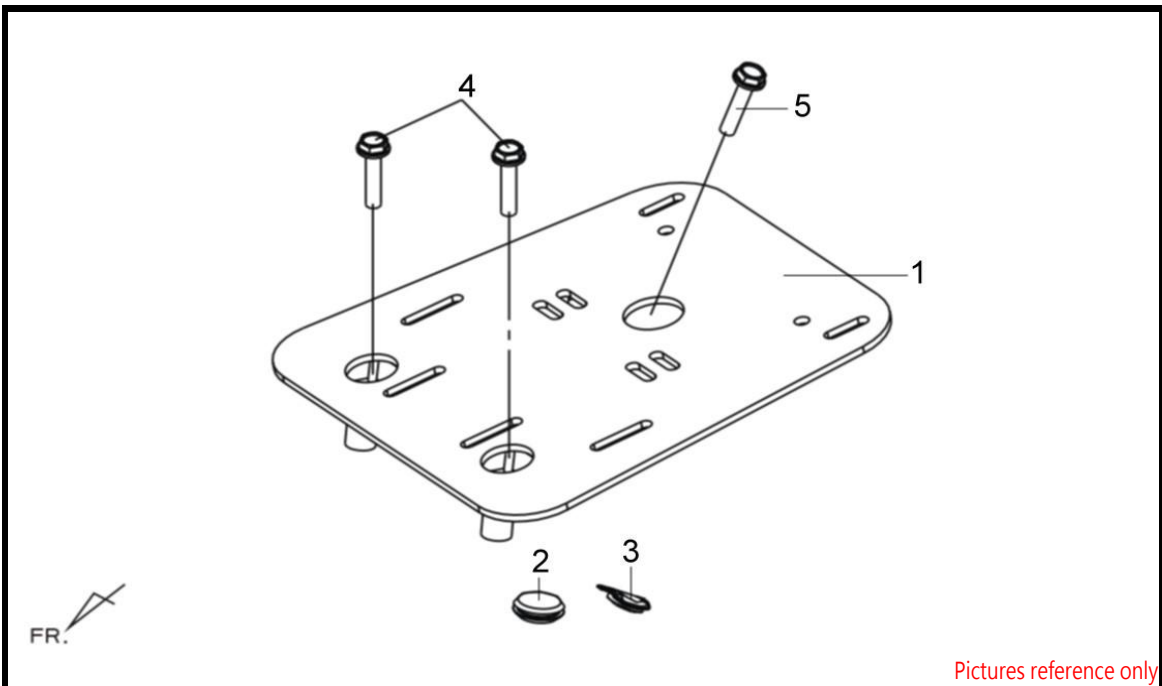


Pictures reference only

NO	PARTS NUMBER	DESCRIPTION	QTY	EFFECTIVE DATE
1.0	18000-L6C-000	EXH. MUFFLER ASSY(S-877U/GY-7450U)	1	
2.0	18291-REA-000	EXH.PIPE GASKET	1	
3.0	18292-F3E-000	PROTECTOR PACKING A	5	
4.0	18293-F3E-000	PROTECTOR PACKING	2	
5.0	18295-A1A-000	COLLAR M6	5	
6.0	18316-L4A-000	MUFF.PROTECTOR STAY A RUBBER	2	
7.0	18318-L6C-010	MUFFLER PROTECTOR(S-877U/GY-7450U)	1	
8.0	18320-F3E-000	PROTECTOR RUBBER	2	
9.0	18320-L6C-300	EXH. PIPE COMP	1	
10.0	18321-L6C-000	MUFFLER BAND	1	
11.0	18324-L6C-000	OUTER TAIL CAP COMP	1	
12.0	18328-L6C-010	MUFFLER REAR PROTECTOR(S-877U)	1	
13.0	37890-A5L-000	O2 SENSOR	1	
14.0	90043-HMA-000	CAP NUT	2	
15.0	90116-L4A-000	SPECIAL BOLT M6*22	5	
16.0	93401-06010-07	WASHER BOLT 6*10	1	
17.0	94101-06700	PLAIN WASHER 6MM	8	
18.0	94111-06700	SPRING WASHER 6MM	8	
19.0	95801-L6C-000	FLANGE BOLT 8X60(DACRO)	3	
20.0	96700-06012-08	SOCKET BOLT 6X12	3	
21.0	18319-REA-300	MUFFLER GASKET	1	

F48
TRUNK BOX BRKT.

MAXSYM 600I



Pictures reference only

NO	PARTS NUMBER	DESCRIPTION	QTY	EFFECTIVE DATE
1.0	81300-L4A-000	TRUNK BRACKET	1	
2.0	81301-L4A-000	RUBBER A	1	
3.0	81302-L4A-000	RUBBER B	1	
4.0	95801-08040-07	FLANGE BOLT M8X40	2	
5.0	95801-08060-07	FLANGE BOLT 8X60	1	