



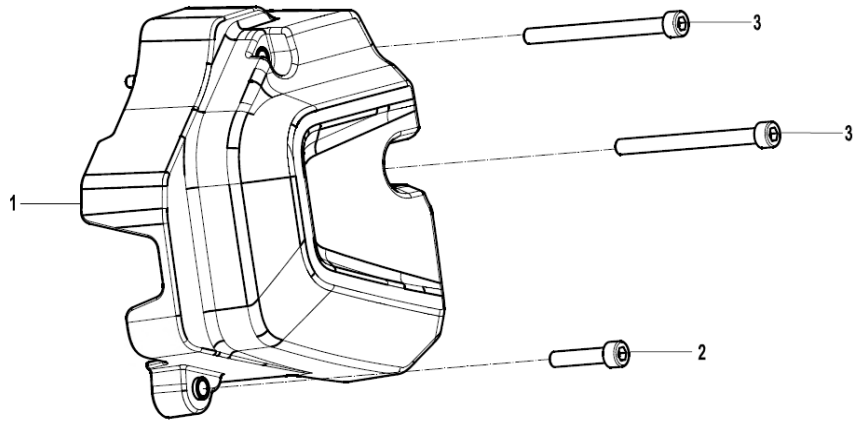
MAKE  
IT BIG



PAPIO.  
RACER

[www.mforce.co.id](http://www.mforce.co.id)

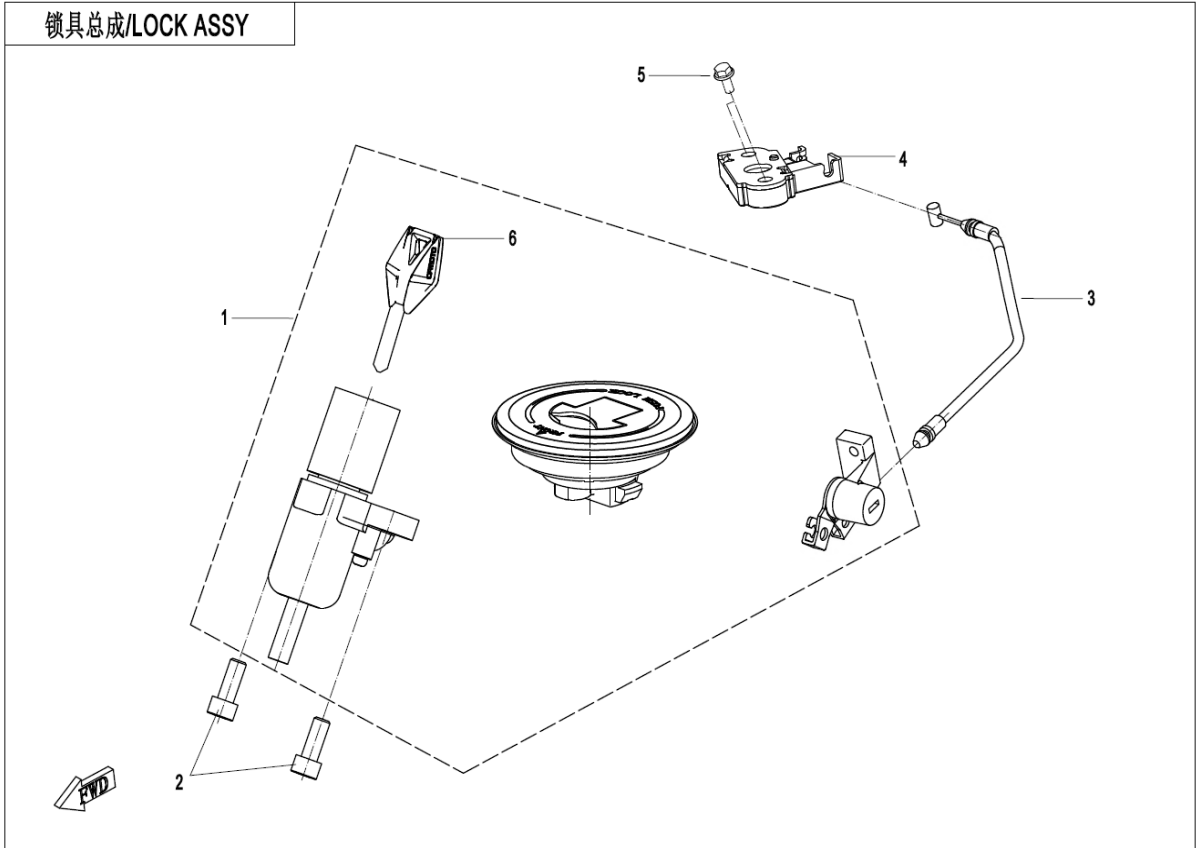
安装附件/ENGINE FITTINGS



F00 ENGINE FITTINGS

ITEM NO.	PARTS NUMBER	PARTS NAME(EN)	QTY	SPECIFICATION
1	6FIV-040011-7100	SMALL SPROCKET GUARD	1	
2	0010-021017-0010	BOLT M6x25	1	GALVANIZED TRIVALENT CHROMIUM
3	0020-011018-0010	BOLT M6x70	2	GALVANIZED TRIVALENT CHROMIUM

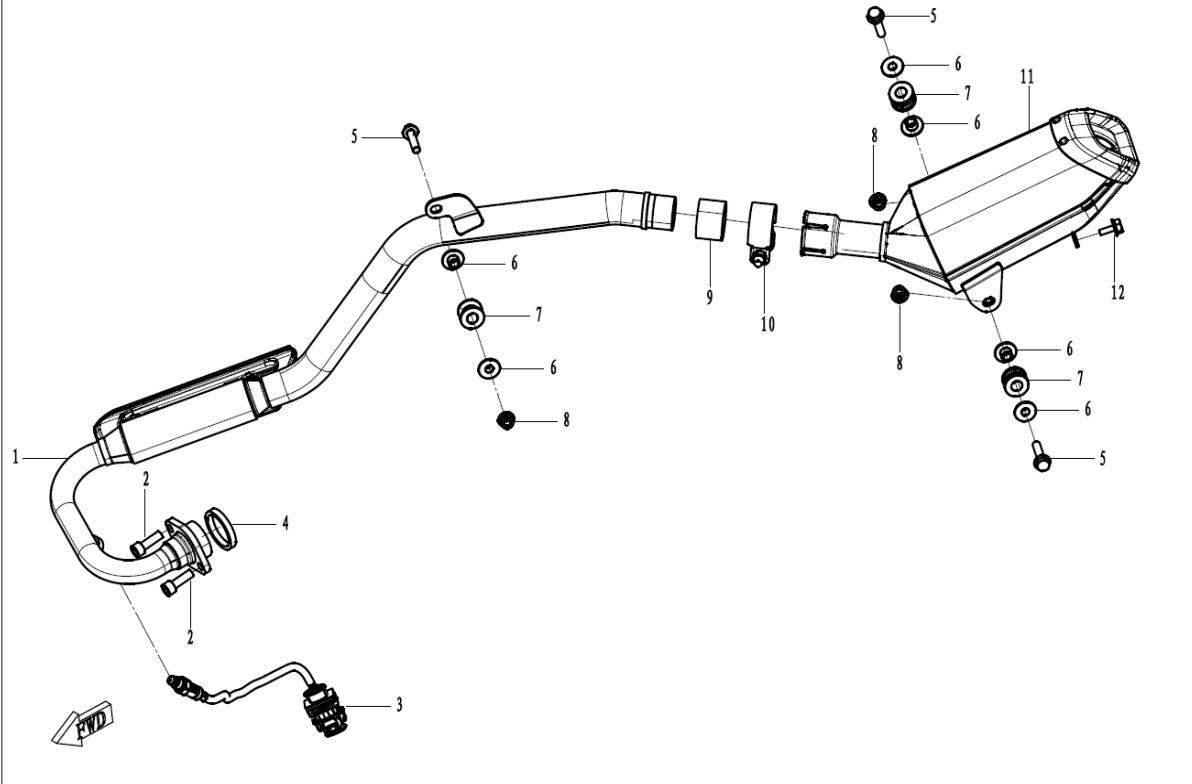
锁具总成/LOCK ASSY



F01 LOCK KIT

ITEM NO.	PARTS NUMBER	PARTS NAME(EN)	QTY	SPECIFICATION
01	6FJV-011000-1200	LOCK KIT	1	
02	30102-080020810	SCREW	2	M8x20@TRIVALENT CHROMIUM
03	6FIV-010010-7100	SEAT CABLE	1	
04	6GU#-010320-6000	LOCK SEAT, SEAT	1	
05	30006-060016810	BOLT	2	M6x16
06	6FIV-011020-7100	KEY	1	

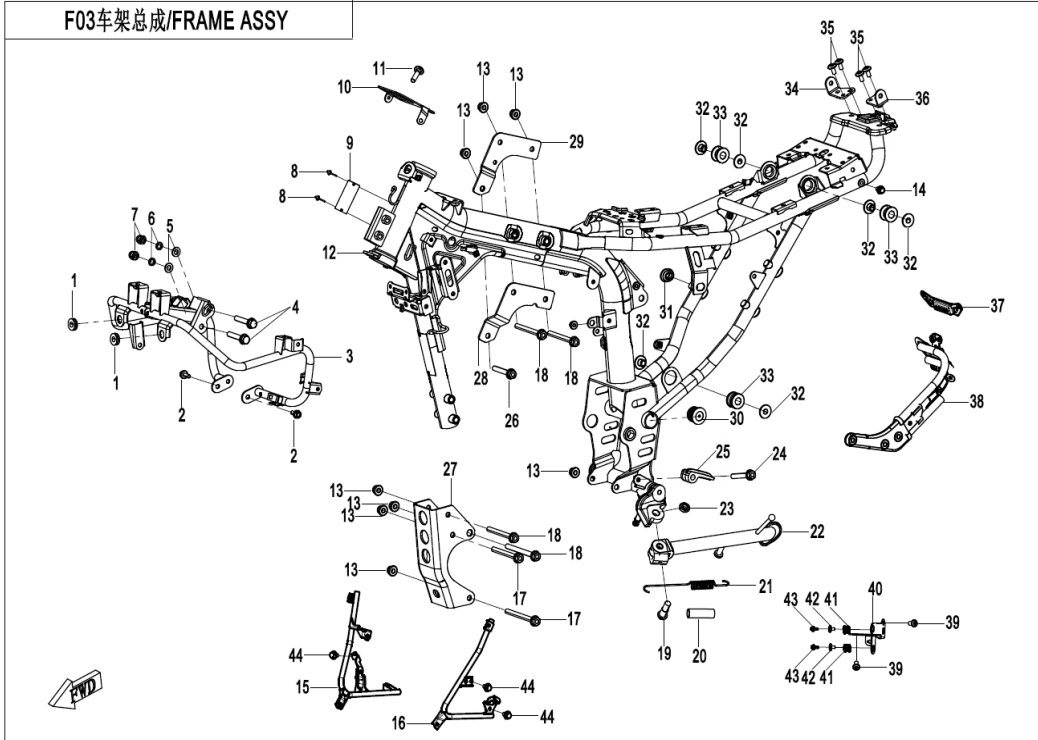
F02 消声器总成/MUFFLER COMP



F02 MUFFLER

ITEM NO.	PARTS NUMBER	PARTS NAME(EN)	QTY	SPECIFICATION
1	6FIV-021100-2500	EXHAUST PIPE ASSY	1	
2	30102-080025810	SCREW	2	M8×25
3	8AJV-004100-1000	OXYGEN SENSOR	1	
4	6090-020010	EXHAUST PORT GASKET	1	42x33x5
5	30006-080035810	BOLT	3	M8×35
6	6WWW-020002-5001	BUSHING, MUFFLER BODY	6	
7	6WWW-020003-5000	RUBBER SLEEVE, MUFFLER BODY	3	
8	30204-080810	LOCK NUT	3	M8
9	A000-020003	GRAPHITE SEAL BUSHINGII	1	
10	A000-020500	CLAMP ASSY 1	1	
11	6FIV-021200-9000	REAR MUFFLER BODY ASSY	1	
12	30006-060012810	BOLT	1	M6×12

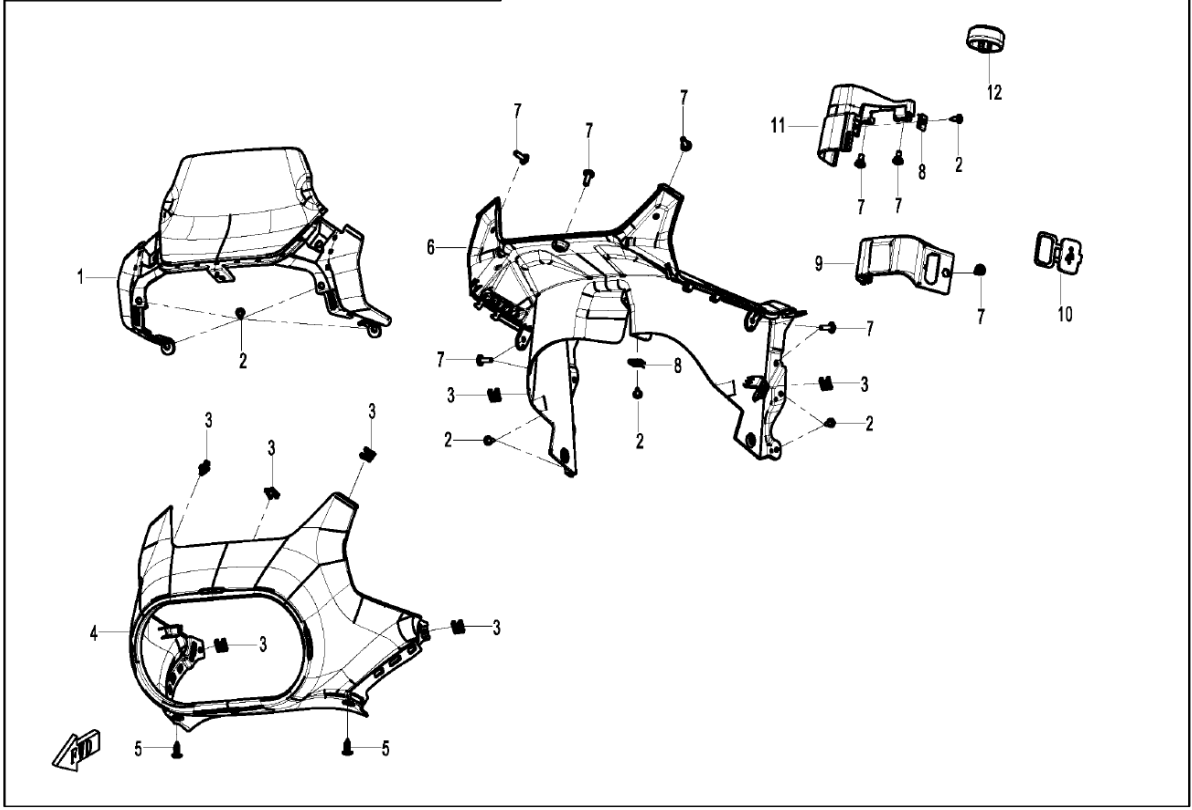
F03车架总成/FRAME ASSY



F03 FRAME

ITEM NO.	PARTS NUMBER	PARTS NAME(EN)	QTY	SPECIFICATION
1	9010-160101	HEADLIGHT RUBBER DAMPER	2	
2	30006-060016810	BOLT	2	M6×16
3	6FIV-030400-7101	FRONT BRACKET ASSY	1	
4	30006-080045810	BOLT	2	M8×45@COLOR ZINC TRIVALENT CHROMIUM
5	30303-080112	WASHER	2	φ8@COLOR ZINC TRIVALENT CHROMIUM
6	30306-080112	WASHER	2	φ8
7	30206-080510	NUT M8	2	M8
8	30902-0400820	RIVET	2	φ4×8
9	6FIA-190012	VIN PLATE	1	
10	6FIV-030001-7100	DASHBOARD BRACKET	1	
11	30102-080016810	INNER HEX SCREW	1	M8×16@TRIVALENT CHROMIUM
12	6FIV-031000-2500-01	FRAME ASSY	1	
13	30204-080810	LOCK NUT	8	M8
14	6WWW-046702-5000	INNER HEX SCREW M6×12	2	
15	6FIV-030800-9200	ENGINE GUARD RH BRACKET ASSY	1	
16	6FIV-030700-9200	ENGINE GUARD LH BRACKET ASSY	1	
17	30006-080085810	BOLT	2	GB/T5789_M8×85
18	30006-080075810	BOLT	4	M8×75
19	A000-030006	SIDE STAND BOLT	1	
20	A000-030004	SIDE STAND SPRING SLEEVE	1	
21	6KMV-030060-C000	SIDE STAND SPRING ASSY	1	
22	6FIV-030600-7101	SIDE STAND ASSY	1	
23	30208-102010	NUT	1	M10×1.25
24	30006-060035810	BOLT	1	M6×35
25	6KJO-030510	CHAIN GUARD ASSY	1	
26	30006-080050810	BOLT	1	M8×50
27	5280-030004-1000	ENGINE FRONT SUSPENSION PLATE	1	MATTE BLACK
28	6F12-030002	ENGINE LH UPPER BRACKET	1	ELECTROPHORESIS BLACK
29	6FIV-030050-7100	ENGINE UPPER RH BRACKET	1	
30	6KJO-030503	RUBBER PLUG	2	
31	8080-040064	FRONT FENDER DAMPER	1	
32	6WWW-020002-5001	BUSHING, MUFFLER BODY	6	
33	6WWW-020003-5000	RUBBER SLEEVE, MUFFLER BODY	3	
34	6FIV-030040-7100	REAR SEAT RH BRACKET	1	
35	6WWW-046802-5000	INNER HEX SCREW M6×16	4	
36	6FIV-030030-7100	REAR SEAT LH BRACKET	1	
37	6FIV-030009-7100	REAR LICENSE BRACKET	1	
38	6FIV-030300-7100	REAR FENDER ASSY	1	
39	30006-060010810	BOLT	4	M6×10
40	6FIV-030002-7000	ABS BRACKET	1	
41	6WWW-030019-5000	CUSHION SLEEVE	2	
42	6AQV-021002-1000	BUSHING	2	
43	30006-060022810	BOLT	2	M6×22
44	30006-060012810	BOLT	3	M6×12

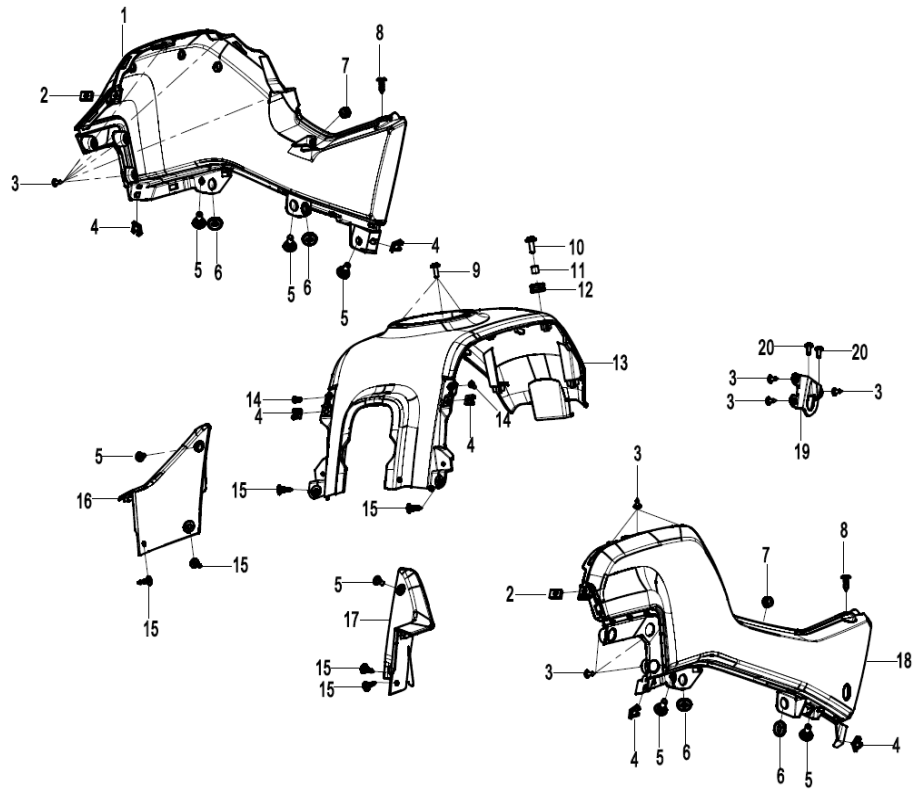
F04-1 塑料件 I /PLASTICS I



F04-1 PLASTICS 1

ITEM NO.	PARTS NUMBER	PARTS NAME(EN)	QTY	SPECIFICATION
1	6FJV-040101-1400	WINDSHIELD	1	
2	30110-421130010	SELF-TAPPING SCREW	11	ST4.2x13@COLOR ZINC TRIVALENT CHROMIUM
3	6KM#-040081-8000-M1	NUT CLIP M5	7	
4	6FIV-041601-7100-0VE00	HEADLIGHT PANEL	1	NEBULA WHITE
4	6FIV-041601-7100-0YM00	HEADLIGHT PANEL	1	HELIOS ORANGE
4	6FIV-041601-7100-0F600	HEADLIGHT PANEL	1	DOLPHIN SUMMER BLUE + NEBULA BLACK
5	8080-041130	EXPANSION RIVET ASSY	2	
6	6FIV-041602-7101	HEADLIGHT BACKBOARD	1	
7	6WWV-047102-5000	INNER HEX SCREW M5x14	8	
8	8010-000002	CLAMP	2	ST4.2
9	6FIV-040104-7100	DASHBOARD LOWER GUARD	1	
10	6AQV-041117-1002	USB PLUG COVER	1	
11	6FIV-040101-7100	IGNITION LOCK GUARD	1	
12	6FIV-040512-7100	PIPE UPPER COVER	1	

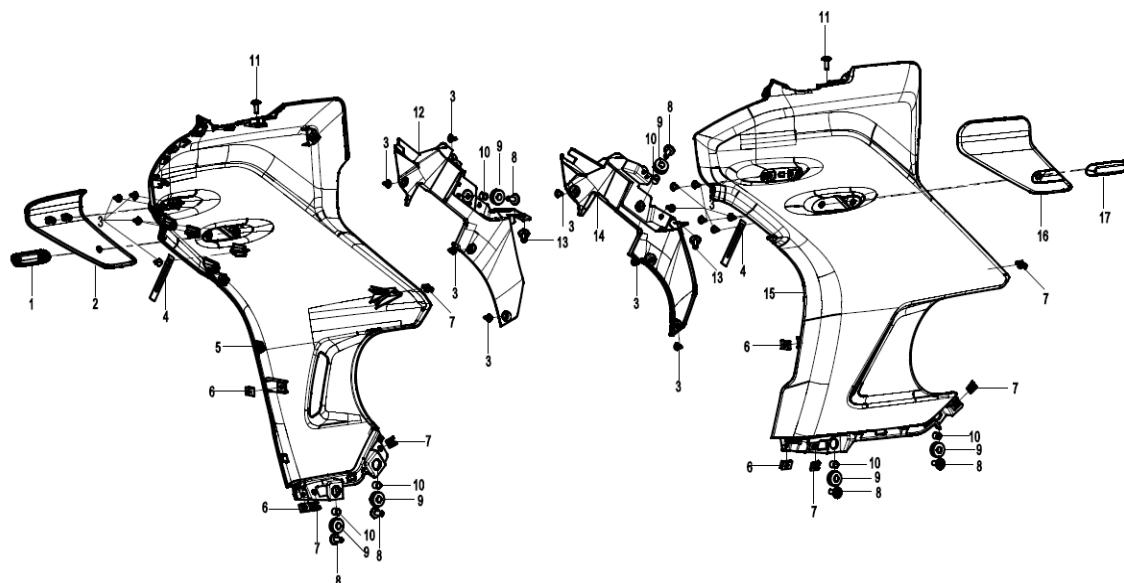
F04-2塑料件II/PLASTICS II



F04-2 PLASTICS 2

ITEM NO.	PARTS NUMBER	PARTS NAME(EN)	QTY	SPECIFICATION
1	6FIV-041203-7101-0VE00	FUEL TANK RH PANEL	1	NEBULA WHITE
1	6FIV-041203-7101-0YS00	FUEL TANK RH PANEL	1	"
1	6FIV-041203-7101-0F600	FUEL TANK RH PANEL	1	DOLPHIN SUMMER BLUE+NEBULA BLACK
2	8010-000002	CLAMP	2	ST4.2
3	30110-421130010	SELF-TAPPING SCREW	15	ST4.2x13@COLOR ZINC TRIVALENT CHROMIUM
4	6KM#-040081-8000-M1	NUT CLIP M5	6	
5	6WVV-046502-5000	STEPPED SCREW M5	7	
6	6FIV-040401-7100	RUBBER HEAD	4	
7	6WVV-045801-5000	PITTED RUBBER	2	
8	9060-040310	CLAMP ASSY	2	
9	6WVV-047102-5000	INNER HEX SCREW M5x14	3	
10	6WVV-046802-5000	INNER HEX SCREW M6x16	1	
11	6090-040302	CUSHION SLEEVE	1	
12	6090-040303	BUSHING	1	
13	6FIV-041201-7103-0FD00	FUEL TANK UPPER PANEL	1	DOLPHIN SUMMER BLUE
13	6FIV-041201-7103-0VE00	FUEL TANK UPPER PANEL	1	NEBULA WHITE
13	6FIV-041201-7103-0BU00	FUEL TANK UPPER PANEL	1	JET BLACK
14	30110-420095010	SELF-TAPPING SCREW	2	ST4.2x9.5@COLOR ZINC-PLATED
15	8080-041130	EXPANSION RIVET ASSY	6	
16	6FIV-041205-7101	FUEL TANK FRONT RH PANEL	1	
17	6FIV-041204-7101	FUEL TANK FRONT LH PANEL	1	
18	6FIV-041202-7101-0YS00	FUEL TANK LH PANEL	1	"
18	6FIV-041202-7101-0VE00	FUEL TANK LH PANEL	1	NEBULA WHITE
18	6FIV-041202-7101-0F600	FUEL TANK LH PANEL	1	DOLPHIN SUMMER BLUE+NEBULA BLACK
19	6FIV-040102-7100	SEAT LOCK BRACKET	1	
20	30105-050012410	SCREW	2	M5x12

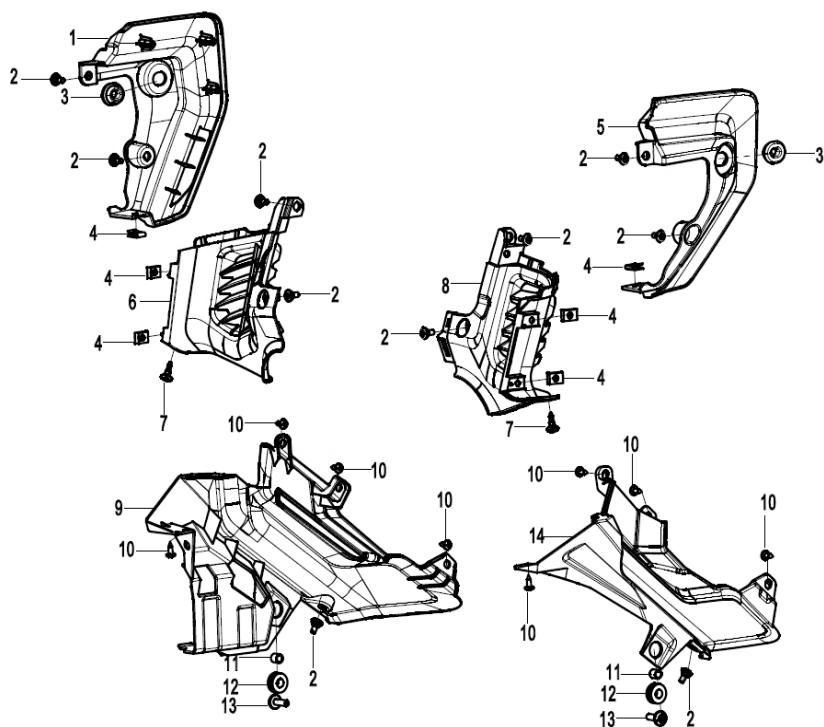
F04-3塑料件III/PLASTICS III



F04-3 PLASTICS 3

ITEM NO.	PARTS NUMBER	PARTS NAME(EN)	QTY	SPECIFICATION
1	6FJV-040708-1400-0FD00	RH COVER PLATE	1	BLUE
1	6FJV-040708-1400-0G700	RH COVER PLATE	1	LEMON GREEN
1	6FJV-040708-1400-0YS00	RH COVER PLATE	1	YELLOW
2	6FJV-040704-1400-0BM00	RH WING	1	NEBULA BLACK
3	30110-420130070	SELF-TAPPING SCREW	18	ST4.2x13@BLACK ZINC-PLATED
4	0180-014010	WIRE CLAMP	2	
5	6FJV-040702-1400-0VE00	FRONT RH PANEL	1	NEBULA WHITE
5	6FJV-040702-1400-0YS00	FRONT RH PANEL	1	YELLOW
5	6FJV-040702-1400-0F700	FRONT RH PANEL	1	BLUE+NEBULA BLACK+PURPLE
6	8010-000002	CLAMP	6	ST4.2
7	6KM#-040081-8000-M1	NUT CLIP M5	6	
8	6WWW-046802-5000	INNER HEX SCREW M6x16	6	
9	6090-040302	CUSHION SLEEVE	6	
10	6090-040303	BUSHING	6	
11	6WWW-047102-5000	INNER HEX SCREW M5x14	2	
12	6FJV-041602-1400	RH TURN LIGHT PANEL	1	
13	30110-420160070	SELF-TAPPING SCREW	2	ST4.2x16@BLACK ZINC-PLATED
14	6FJV-041601-1400	LH TURN LIGHT PANEL	1	
15	6FJV-040701-1400-0VE00	FRONT LH PANEL	1	NEBULA WHITE
15	6FJV-040701-1400-0YS00	FRONT LH PANEL	1	YELLOW
15	6FJV-040701-1400-0F700	FRONT LH PANEL	1	BLUE+NEBULA BLACK+PURPLE
16	6FJV-040703-1400-0BM00	LH WING	1	NEBULA BLACK
17	6FJV-040707-1400-0FD00	LH COVER PLATE	1	BLUE
17	6FJV-040707-1400-0G700	LH COVER PLATE	1	LEMON GREEN
17	6FJV-040707-1400-0YS00	LH COVER PLATE	1	YELLOW

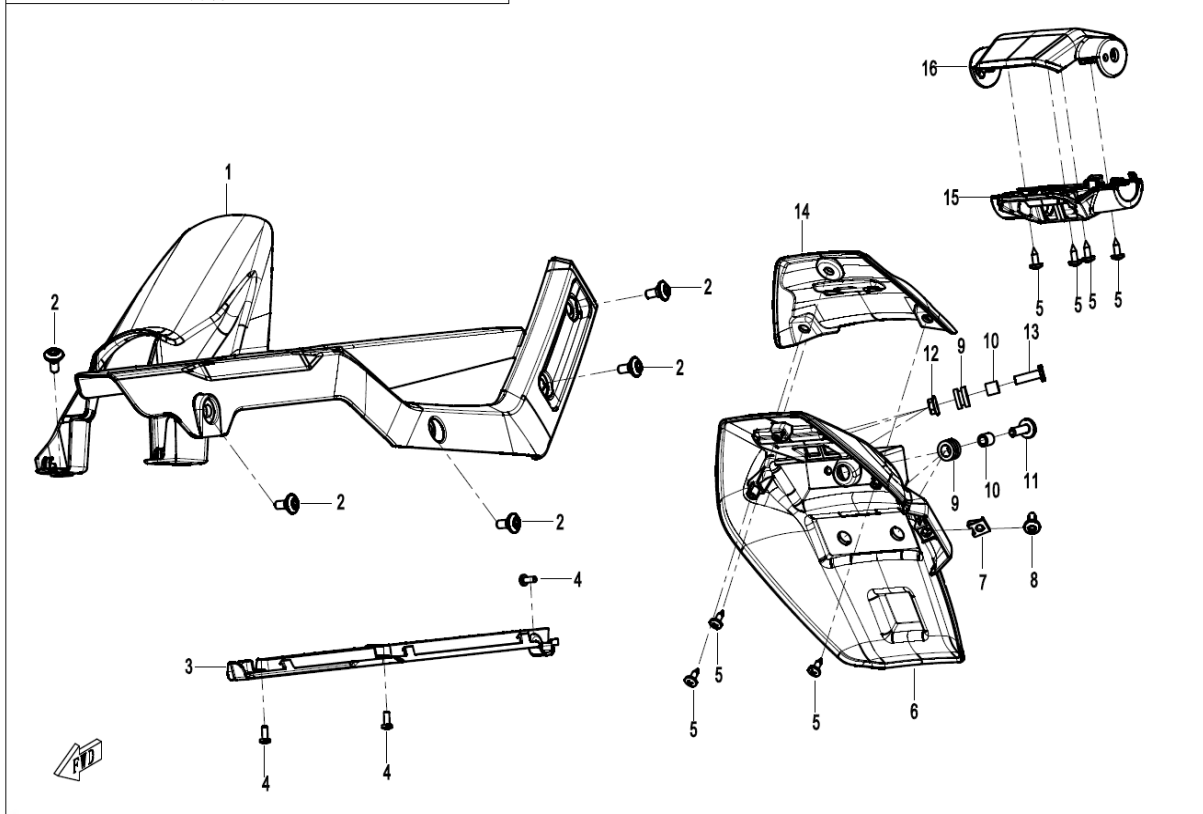
## F04-4塑料件IV/PLASTICS IV



## F04-4 PLASTICS 4

ITEM NO.	PARTS NUMBER	PARTS NAME(EN)	QTY	SPECIFICATION
1	6FIV-040308-7100-0BU00	FRONT RH PANEL DECO PART	1	JET BLACK
1	6FIV-040308-7100-0G700	FRONT RH PANEL DECO PART	1	LEMON GREEN
2	6WWV-046502-5000	STEPPED SCREW M5	10	
3	6FIV-040401-7100	RUBBER HEAD	2	
4	8010-000002	CLAMP	6	ST4.2
5	6FIV-040307-7100-0BU00	FRONT LH DECO PART	1	JET BLACK
5	6FIV-040307-7100-0G700	FRONT LH PANEL DECO PART	1	LEMON GREEN
6	6FIV-040310-7102	PIPE LOWER RH PANEL	1	
7	8080-041130	EXPANSION RIVET ASSY	2	
8	6FIV-040309-7102	PIPE LOWER LH PLATE	1	
9	6FJV-040602-1400	RH DECO PLATE	1	
10	30110-420130070	SELF-TAPPING SCREW	8	ST4.2x13@BLACK ZINC-PLATED
11	6090-040303	BUSHING	2	
12	6090-040302	CUSHION SLEEVE	2	
13	6WWV-046802-5000	INNER HEX SCREW M6x16	2	
14	6FJV-040601-1400	LH DECO PLATE	1	

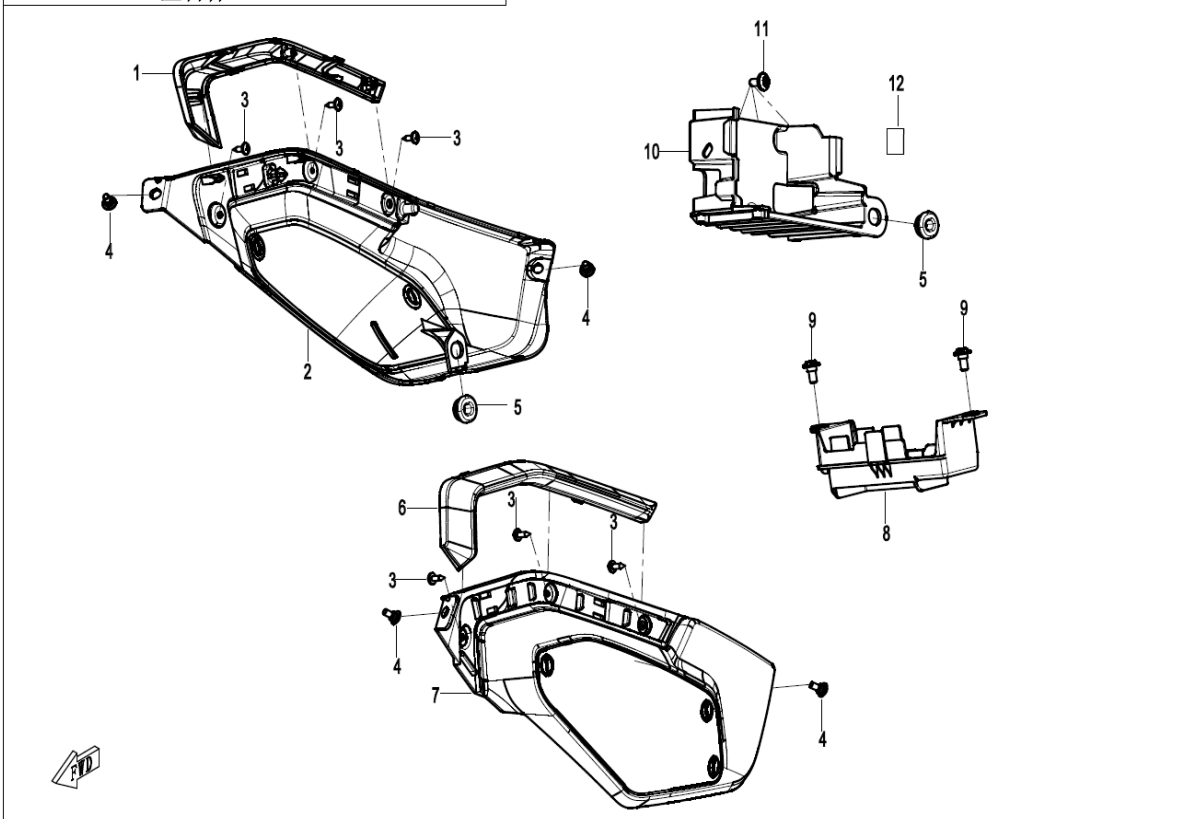
F04-5塑料件 V/PLASTICS V



F04-5 PLASTICS5

ITEM NO.	PARTS NUMBER	PARTS NAME(EN)	QTY	SPECIFICATION
1	6FIV-040601-7100	REAR INNER FENDER	1	
2	6WWW-046602-5000	INNER HEX STEPPED SCREW M6x14	5	
3	6FIV-040602-7101	REAR INNER FENDER INNER COVER	1	
4	30118-420095010	SELF-TAPPING SCREW	3	ST4.2x9.5@TRIVALENT CHROMIUM
5	30110-421130010	SELF-TAPPING SCREW	7	ST4.2x13@COLOR ZINC TRIVALENT CHROMIUM
6	6FIV-040611-7100	REAR FENDER	1	
7	6KM#-040081-8000-M1	NUT CLIP M5	1	
8	6WWW-047102-5000	INNER HEX SCREW M5x14	1	
9	6KM#-040302-8000	CUSHION SLEEVE	6	
10	6090-040303	BUSHING	6	
11	6WWW-046902-5000	INNER HEX SCREW M6x20	3	
12	30204-060810	NUT	3	M6
13	6WWW-047102-5000	INNER HEX SCREW M5x14	3	
14	6FIV-040612-7100	REAR FENDER INNER COVER	1	
15	6FIV-041512-7101	LICENSE LIGHT LOWER COVER	1	
16	6FIV-041511-7101	LICENSE LIGHT UPPER COVER	1	

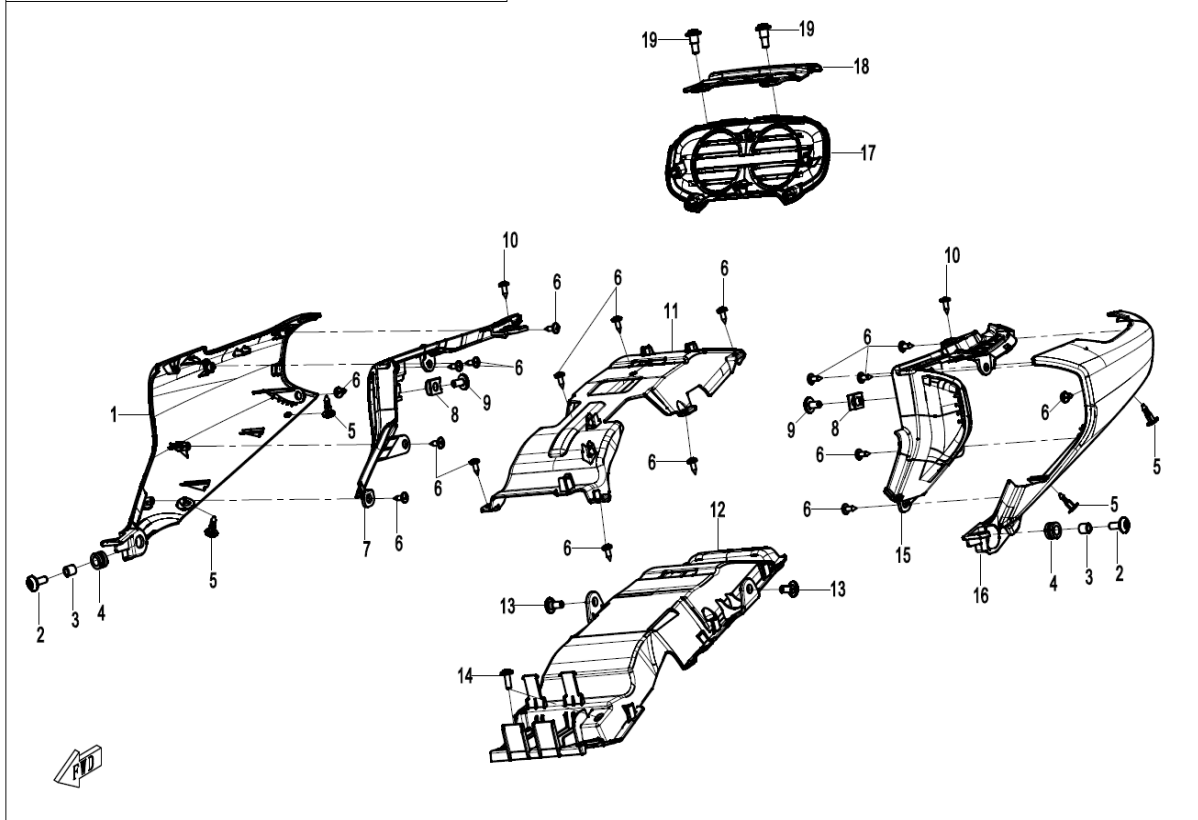
F04-6塑料件VI/PLASTICS VI



F04-6 PLASTICS 6

ITEM NO.	PARTS NUMBER	PARTS NAME(EN)	QTY	SPECIFICATION
1	6FIV-040314-7100-0VR00	RH SIDE COVER DECO PART	1	ELECTRO SILVER
2	6FIV-040312-7101	RH SIDE COVER	1	
3	30110-421130010	SELF-TAPPING SCREW	6	ST4.2x13@COLOR ZINC TRIVALENT CHROMIUM
4	6WWV-046502-5000	STEPPED SCREW M5	4	
5	6FIV-040401-7100	RUBBER HEAD	2	
6	6FIV-040313-7100-0VR00	SIDE COVER DECO PART	1	ELECTRO SILVER
7	6FIV-040311-7101	LH SIDE COVER	1	
8	6FIV-041501-7100	ELECTRICAL BOX	1	
9	6WWV-046602-5000	INNER HEX STEPPED SCREW M6x14	2	
10	6FIV-041502-7100	BATTERY BOX	1	
11	6WWV-046702-5000	INNER HEX SCREW M6x12	3	
12	9010-120008	SPONGE PAD, FUEL TANK	5	

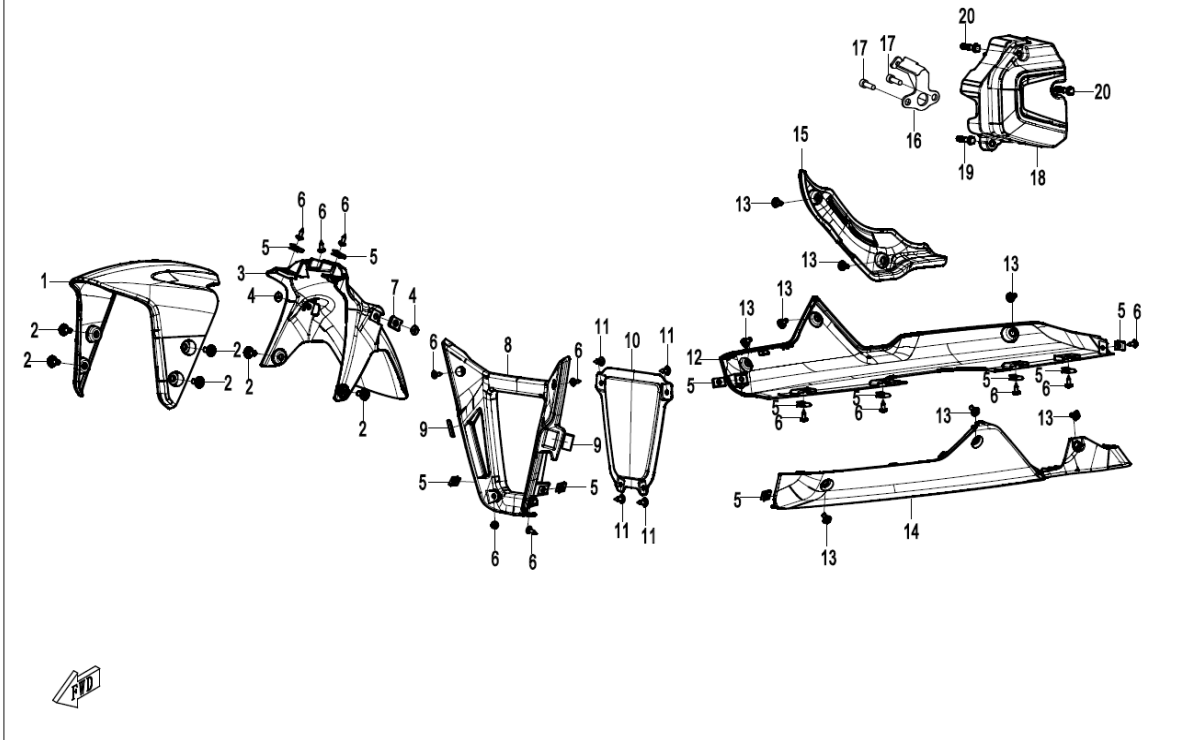
F04-7塑料件VII/PLASTICS VII



F04-7 PLASTICS 7

ITEM NO.	PARTS NUMBER	PARTS NAME(EN)	QTY	SPECIFICATION
1	6FIV-041614-7100-0VE00	TAIL LIGHT RH PANEL	1	NEBULA WHITE
1	6FIV-041614-7100-0FD00	TAIL LIGHT RH PANEL	1	DOLPHIN SUMMER BLUE
1	6FIV-041614-7100-0YS00	TAIL LIGHT RH PANEL	1	"
2	6WWW-046802-5000	INNER HEX SCREW M6x16	2	
3	6090-040303	BUSHING	2	
4	6KM#-040302-8000	CUSHION SLEEVE	2	
5	8080-041130	EXPANSION RIVET ASSY	4	
6	30110-421130010	SELF-TAPPING SCREW	18	ST4.2x13@COLOR ZINC TRIVALENT CHROMIUM
7	6FIV-041617-7101	TAIL LIGHT RH PANEL DECO PARTS	1	
8	8030-040800-00001	NUT CLIP M6	2	M6
9	6WWW-046702-5000	INNER HEX SCREW M6x12	2	
10	30110-420095010	SELF-TAPPING SCREW	2	ST4.2x9.5@COLOR ZINC-PLATED
11	6FIV-040321-7100	SUB-FRAME SKID PLATE	1	
12	6FIV-040322-7100	SUB-FRAME HEAT INSULATION PLATE	1	
13	6WWW-046602-5000	INNER HEX STEPPED SCREW M6x14	2	
14	6WWW-047102-5000	INNER HEX SCREW M5x14	2	
15	6FIV-041616-7101	TAIL LIGHT LH PANEL DECO PARTS	1	
16	6FIV-041613-7100-0VE00	TAIL LIGHT LH PANEL	1	NEBULA WHITE
16	6FIV-041613-7100-0FD00	TAIL LIGHT LH PANEL	1	DOLPHIN SUMMER BLUE
16	6FIV-041613-7100-0YS00	TAIL LIGHT LH PANEL	1	"
17	6FIV-041611-7100	TAIL LIGHT GUARD	1	
18	6FIV-041615-7100-0VE00	TAIL LIGHT UPPER PANEL	1	NEBULA WHITE
18	6FIV-041615-7100-0FD00	TAIL LIGHT UPPER PANEL	1	BLUE
18	6FIV-041615-7100-0YS00	TAIL LIGHT UPPER PANEL	1	""""
19	6NQ#-000202-6001	CONVEX BOLT	2	

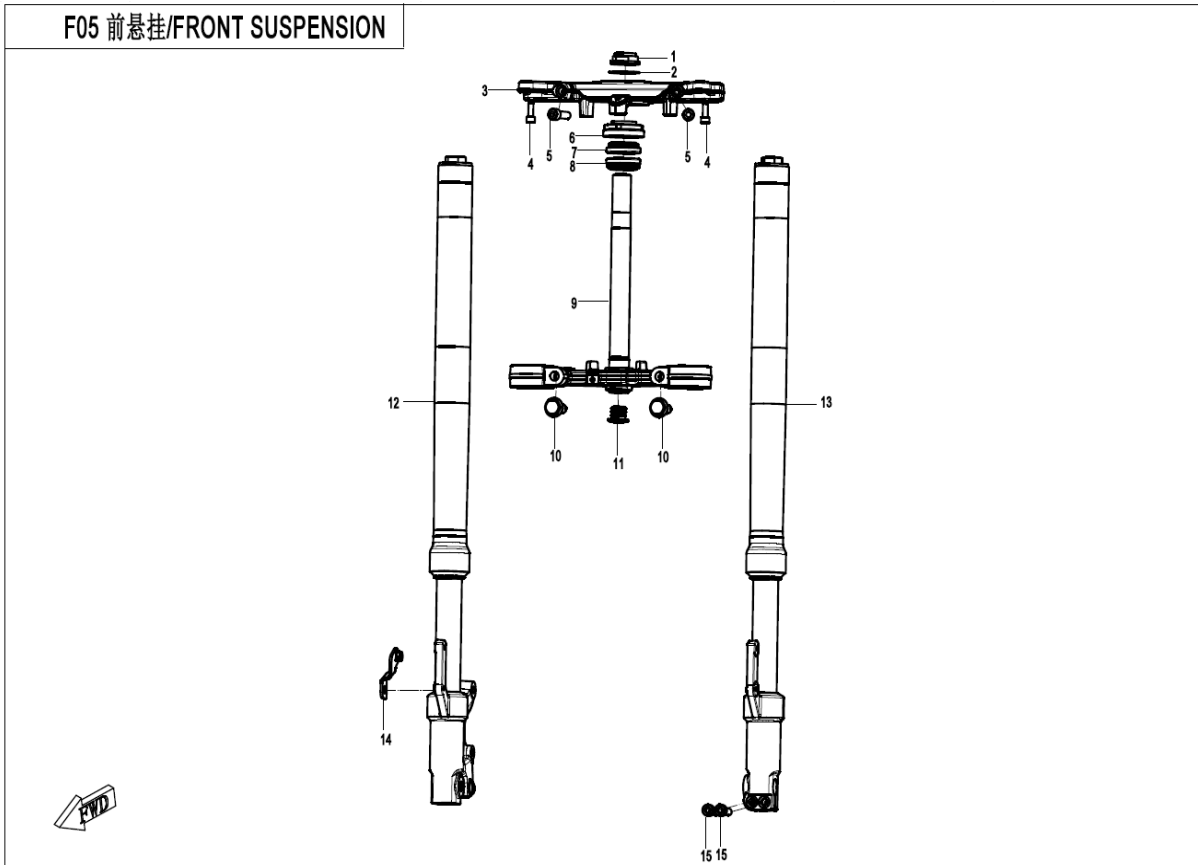
F04-8塑料件VIII/PLASTICS VIII



F04-8 PLASTICS 8

ITEM NO.	PARTS NUMBER	PARTS NAME(EN)	QTY	SPECIFICATION
1	6FIV-040501-7100-0FD00	FRONT FENDER FRONT PART	1	DOLPHIN SUMMER BLUE
1	6FIV-040501-7100-0YS00	FRONT FENDER FRONT PART	1	
1	6FIV-040501-7100-0VE00	FRONT FENDER FRONT PART	1	NEBULA WHITE
1	6FJV-040501-1400	FRONT FENDER FRONT PART	1	DOLPHIN SUMMER BLUE_WITH DECAL
1	6FIV-04050A-9200	FRONT FENDER FRONT PART	1	NEBULA WHITE_WITH DECAL
1	6FIV-04050B-9200	FRONT FENDER FRONT PART	1	YELLOW_WITH DECAL
2	6WWW-046602-5000	INNER HEX STEPPED SCREW M6x14	6	
3	6FIV-040502-7100	FRONT FENDER REAR PART	1	
4	30305-060112	WASHER	2	φ6@COLOR ZINC TRIVALENT CHROMIUM
5	8010-000002	CLAMP	11	ST4.2
6	30110-420130070	SELF-TAPPING SCREW	12	ST4.2x13@BLACK ZINC-PLATED
7	8030-040800-00001	NUT CLIP M6	1	M6
8	6FJV-040903-1400	ENGINE FRONT GUARD	1	
9	6KM#-040066-8001	SPONGE STRAP	2	
10	6FJV-040904-1400	ENGINE FRONT GUARD NET	1	
11	30110-481130070	SCREW	4	
12	6FJV-040902-1400	ENGINE LOWER RH PANEL	1	
13	6WWW-046502-5000	STEPPED SCREW M5	8	
14	6FJV-040901-1400	ENGINE LOWER LH PANEL	1	
15	6FIV-040324-9200	ENGINE RH DECO GUARD	1	
16	6FIV-040012-7100	SPEED SENSOR BRACKET	1	
17	6WWW-047102-5000	INNER HEX SCREW M5x14	2	
18	6FIV-040011-7100	SMALL SPROCKET GUARD	1	
19	0010-021017-0010	BOLT M6x25	1	GALVANIZED TRIVALENT CHROMIUM
20	0020-011018-0010	BOLT M6x70	2	GALVANIZED TRIVALENT CHROMIUM

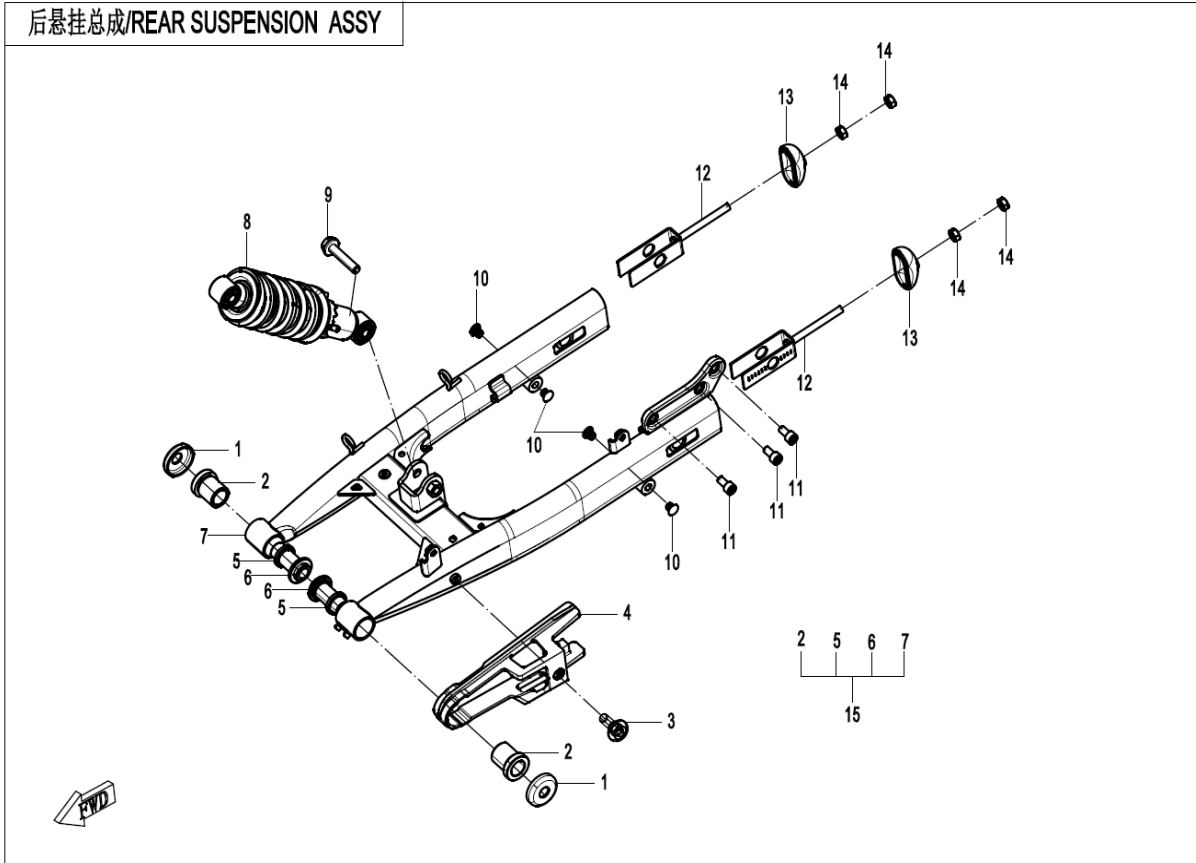
F05 前悬挂/FRONT SUSPENSION



F05 FRONT SUSPENSION

ITEM NO.	PARTS NUMBER	PARTS NAME(EN)	QTY	SPECIFICATION
1	0180-062107-00001	BEVEL GEAR LOCK NUT	1	
2	8030-050006	UPPER TRIPLE CLAMP GASKET	1	
3	6FJV-050001-1400	UPPER TRIPLE CLAMP	1	
4	30102-060016810	SCREW	2	M6x16@COLOR ZINC TRIVALENT CHROMIUM
5	30102-080025810	SCREW	2	M8x25
6	5280-050004	LOCK NUT	1	
7	5280-050100	UPPER STEERING BEARING ASSY	1	
8	5280-050200	LOWER STEERING BEARING ASSY	1	
9	6FIV-050300-7000	FRONT FORK PIPE LOWER TRIPLE CLAMP ASSY	1	
10	30006-102035810	BOLT	1	M10x1.25x35
11	6FIV-050011-7000	RUBBER PLUG	1	
12	6FJV-050600-1400-M1	FRONT RH SHOCK ABSORBER	1	
12	6FJV-050600-1500-M1	FRONT RH SHOCK ABSORBER	1	
13	6FJV-050500-1500-M1	FRONT LH SHOCK ABSORBER	1	
13	6FJV-050500-1400-M1	FRONT LH SHOCK ABSORBER	1	
14	6FIV-050030-7100	FRONT FENDER REAR RH BRACKET ASSY	1	
15	30102-080030810	SCREW	2	M8x30

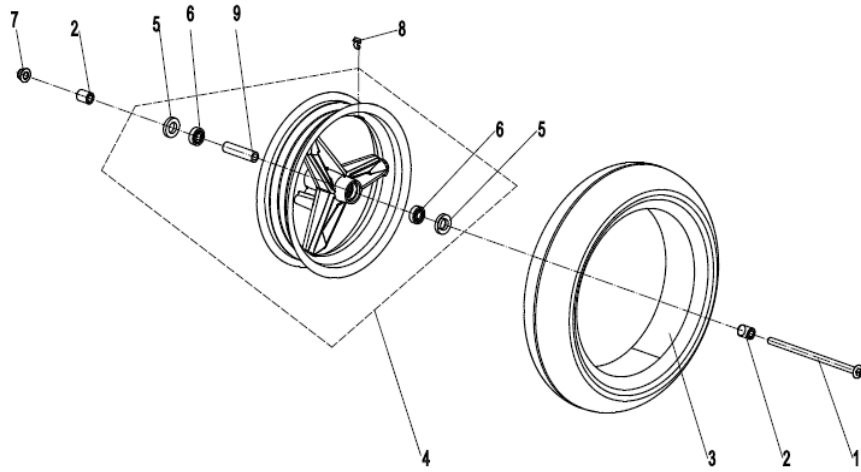
后悬挂总成/REAR SUSPENSION ASSY



F06 REAR SUSPENSION

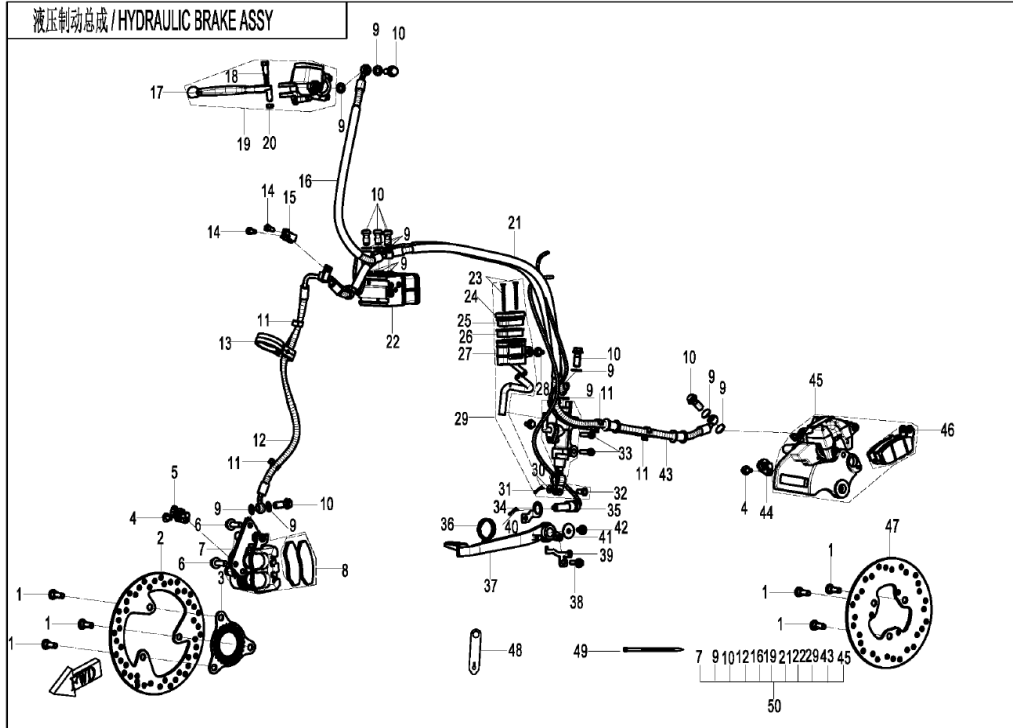
ITEM NO.	PARTS NUMBER	PARTS NAME(EN)	QTY	SPECIFICATION
1	6KMV-060010-8001	REAR SWING ARM DUST CAP 1	2	
2	6100-060008	REAR SWING ARM OUTER BUSHING	2	
3	6WWV-046602-5000	INNER HEX STEPPED SCREW M6x14	1	
4	6FIV-060001-7001	CHAIN GUARD	1	
5	6090-060005	ANTI-DUST RING	2	
6	6KJ0-060004-00001	REAR FORK RH INNER BUSHING	2	
7	6FIV-060300-7001	REAR FORK ASSY	1	
8	6FIV-060100-7100-M1	REAR SHOCK ABSORBER	1	
9	30006-102050810	BOLT	1	M10×1.25×50
10	6KM#-100002-8000	CLUTCH LEVER PLUG	4	
11	30102-080016810	INNER HEX SCREW	3	M8x16@TRIVALENT CHROMIUM
12	6FIV-060020-7000	CHAIN ADJUSTER ASSY	2	
13	A000-060201-0BP00	CHAIN ADJUSTER GUARD	2	MAUD SPIRIT BLACK
14	30200-080810	NUT	4	M8
15	6FIV-062300-7001	REAR FORK ASSEMBLY	1	

F07 前轮 FRONT WHEEL



F07 FRONT WHEEL

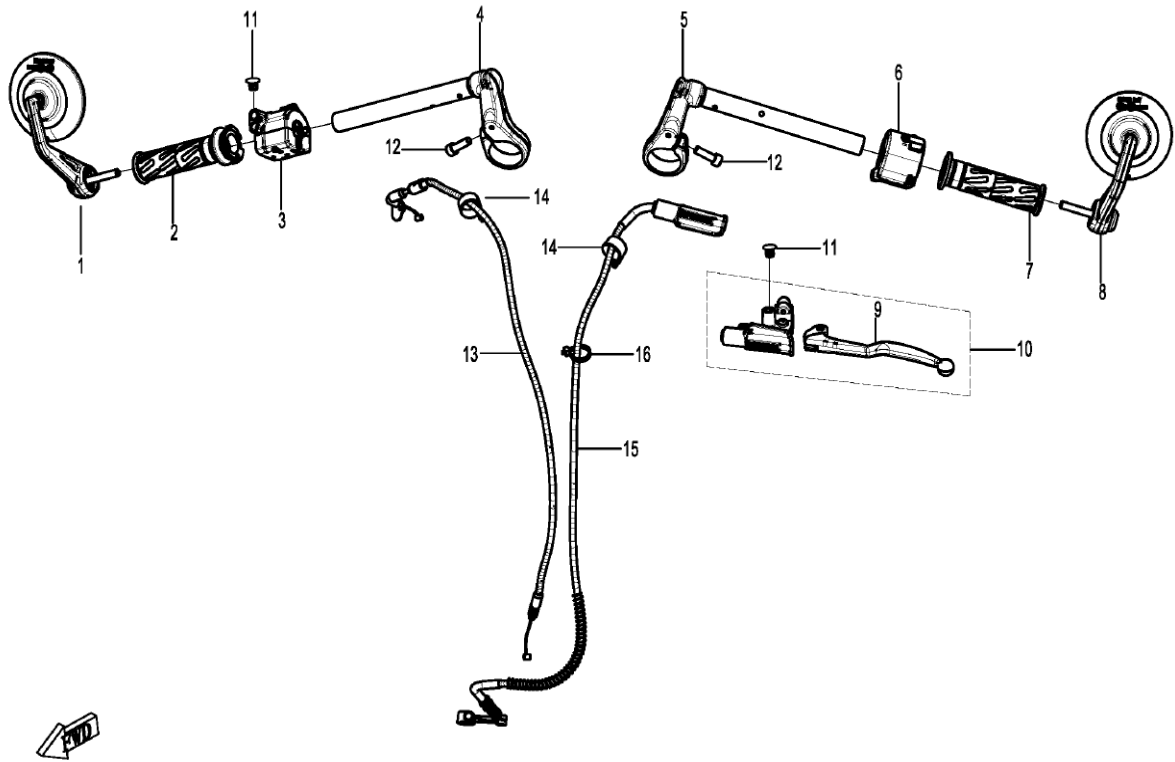
ITEM NO.	PARTS NUMBER	PARTS NAME(EN)	QTY	SPECIFICATION
01	6FIV-070001-7100	FRONT WHEEL SHAFT	1	
02	6KJ0-070002	COLLAR, FRONT WHEEL AXLE	2	
03	30705-1213	TIRE	1	FRONT TIRE
04	6FIV-070100-7100-0B200	FRONT RIM ASSY	1	
04	6FIV-070100-7100-0VE00	FRONT RIM ASSY	1	NEBULA WHITE
04	6FIV-070100-7100-0YM00	FRONT RIM ASSY	1	HELIOS ORANGE
05	6KJV-070103-8000	OIL SEAL	1	
06	30400-01280	BEARING	2	6201-2RS
07	30204-122810	NUT	1	M12×1.25
08	5190-070030-1000	VALVE, INFLATION	1	
09	6FIV-070102-6000	MIDDLE BUSHING, FRONT RIM	1	



### F08 BRAKE SYSTEM

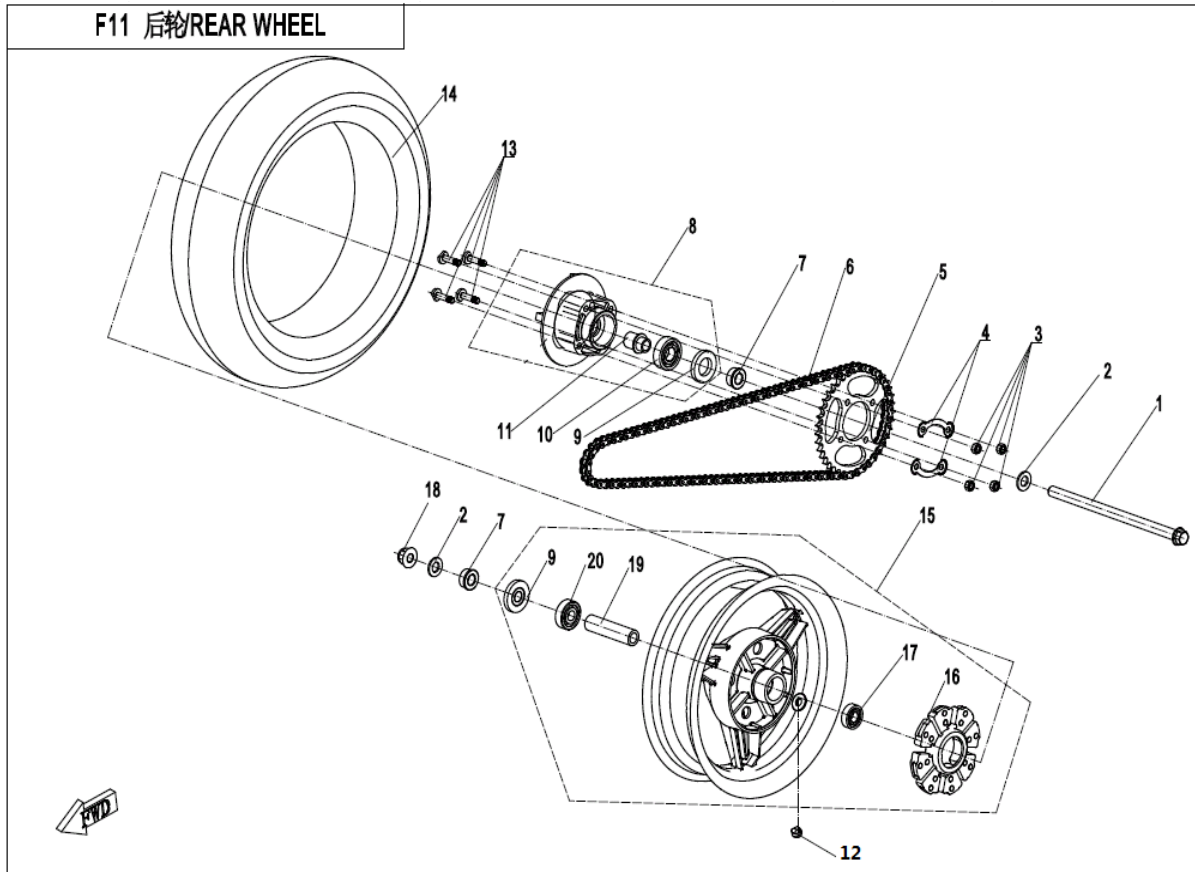
ITEM NO.	PARTS NUMBER	PARTS NAME(EN)	QTY	SPECIFICATION
1	8010-080118	BRAKE DISC BOLT	6	
2	6F3-080001	FRONT BRAKE DISC	1	
3	6FIV-080003-7000	FRONT GEAR RING	1	
4	30006-060012870	BOLTM6x12	2	BLACK ZINC-PLATED
5	6FIV-080004-7000-M1	SPEED SENSOR	1	
6	30006-080025870	BOLTM8x25	2	BLACK ZINC-PLATED
7	6FIV-080120-7100-M1	FRONT BRAKE CALIPER ASSY	1	
8	6FIV-080120-71A0-M1	FRONT BRAKE PAD ASSY	1	
9	6KM#-081000-8100-20	WASHER	16	
10	6KM#-080103-8101	PIPE BOLT	8	
11	EAEV-080006-1000	CLIP, BRAKE HOSE	4	
12	6FIV-081020-7001	FRONT BRAKE FLUID OUTLET HOSE	1	
13	6FIV-080006-7100	BRAKE OIL PIPE CLIP II	1	
14	30102-060012810	SCREW	2	M6x12
15	6FIV-080007-7000	BRAKE OIL PIPE BRACKET	1	
16	6FIV-080270-9200	FRONT BRAKE FLUID INLET HOSE	1	
17	6KMV-081100-B000-20	BRAKE HANDLE	1	
18	6KM0-081116-20000	HANDLE BOLT	1	
19	6KMV-081100-B100-M1	HAND BRAKE MASTER CYLINDER	1	
20	30204-060870	NUT	1	M6
21	6FIV-090270-9200	REAR BRAKE FLUID INLET HOSE	1	
22	6FIV-081100-2500-M1	ABS CONTROLLER	1	
23	30107-040012470	CROSS RECESSED COUNTERSUNK HEAD SCREW	2	
24	6FJV-081400-1400-20	FLUID RESERVOIR CAP	1	
25	6KM0-091202-20000	FLUID RESERVOIR SEALING LINER	1	
26	6KM0-091203-20000	FLUID RESERVOIR SEALING GASKET	1	
27	6KM0-091204-20000	RESERVOIR	1	
28	30006-060012810	BOLT	1	M6x12
29	6FJV-091240-1400	REAR BRAKE MASTER CYLINDER	1	
30	30903-0022070	COTTER PIN	1	
31	30304-006170	PLAIN WASHER	1	C CLASS
32	30904-0062270	PIN SHAFT	1	
33	30102-060025810	SCREW	2	M6x25
34	6FIV-080003-4100	BRAKE SWITCH BRACKET	1	
35	6FIV-080006-4101-M1	MECHANICAL BRAKE SWITCH ASSY	1	
36	6AQV-080400-1000	SPRING	1	
37	6FJV-092100-1400	BRAKE PEDAL ASSY	1	
38	6WWW-046502-5000	STEPPED SCREW M5	1	
39	6FIV-080007-4101	BRAKE SWITCH LIMIT PLATE	1	
40	30903-0162010	COTTER PIN	1	GB/T91_1.6x20
41	A000-080006-10000	GASKET 1	1	
42	6WWW-046702-5000	INNER HEX SCREW M6x12	1	
43	6FIV-081040-7000	REAR BRAKE FLUID OUTLET HOSE	1	
44	6NTV-080004-4101-M1	SPEED SENSOR	1	
45	6FIV-080220-7100-M1	REAR BRAKE CALIPER ASSY	1	
46	6FIV-080220-71A0-M1	REAR BRAKE PAD ASSY	1	
47	6FIV-080010-7000	REAR BRAKE DISC ASSY	1	
48	6KJO-100002	CLUTCH PULL BINDING	1	
49	801F-100101	TIE BAND	2	
50	6FIV-081000-9200	ABS BRAKE ASSY	1	

F10转向机构总成/STEERING SYSTEM



F10 STEERING SYSTEM

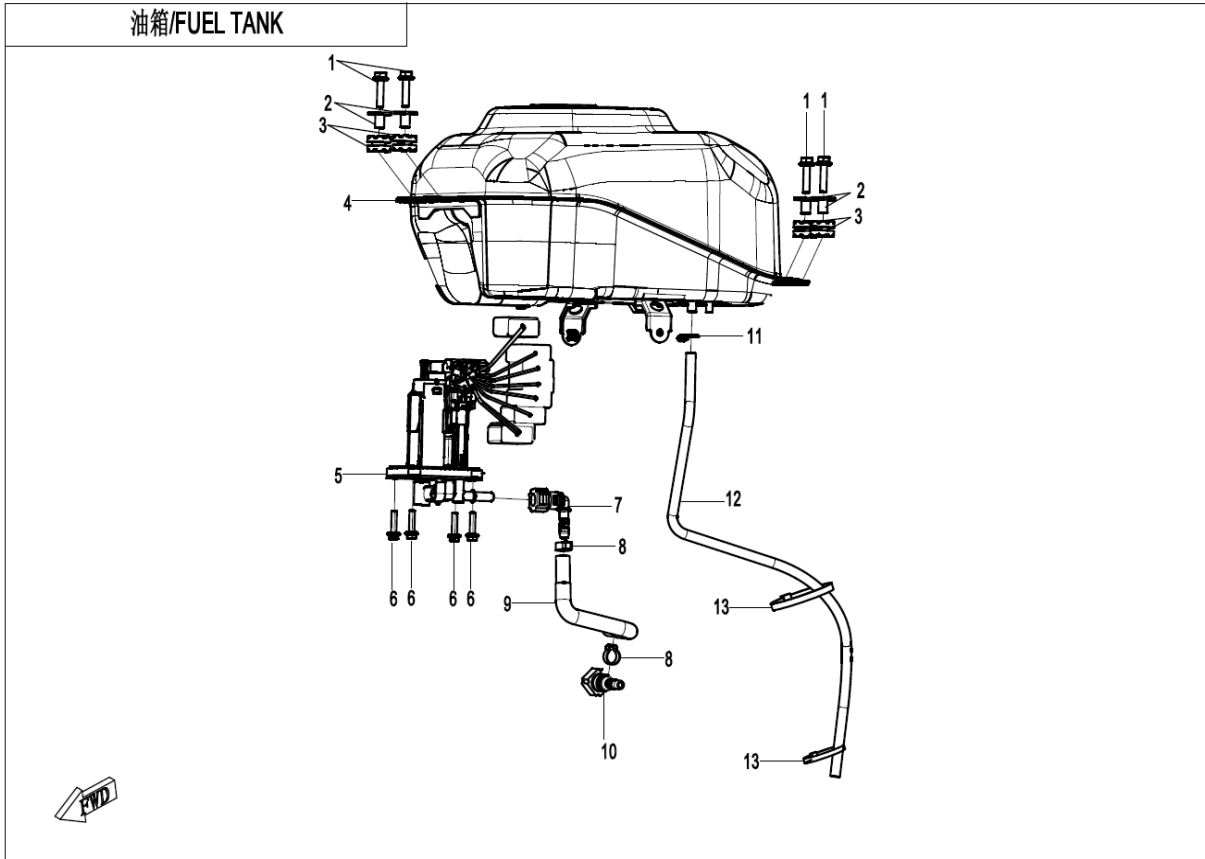
ITEM NO.	PARTS NUMBER	PARTS NAME(EN)	QTY	SPECIFICATION
1	6FIV-200400-7101	RH REARVIEW MIRROR ASSEMBLY	1	
2	5280-100020	RH HAND GRIP ASSY	1	
3	6FIV-167000-4101	HANDLEBAR SWITCH, RH	1	
4	6FJV-100200-1400	RH HANDLEBAR ASSY	1	
5	6FJV-100100-1400	LH HANDLEBAR ASSY	1	
6	6FIV-166000-4101	LH HANDLEBAR SWITCH ASSEMBLY	1	
7	5280-100001	LH HAND GRIP	1	
8	6FIV-200300-7101	LH REARVIEW MIRROR ASSEMBLY	1	
9	6FIB-100301	CLUTCH LEVER	1	ABS
10	6FIB-100300-10000	CLUTCH LEVER ASSY	1	
11	6KM#-100002-8000	CLUTCH LEVER PLUG	2	
12	30102-080025810	SCREW	2	M8×25
13	6FJV-100400-1400	THROTTLE CABLE	1	
14	6KJ0-100002	CLUTCH PULL BINDING	2	
15	6FIV-100600-2500	CLUTCH CABLE	1	
16	801F-100101	TIE BAND	1	



### F11 REAR WHEEL

ITEM NO.	PARTS NUMBER	PARTS NAME(EN)	QTY	SPECIFICATION
01	6FIV-110001-7100	REAR WHEEL SHAFT	1	
02	30306-140112	WASHER	2	φ14
03	30200-080810	NUT	4	M8
04	6KJ0-110004	LOCK PAD	2	
05	6FI2-110003-10000	REAR SPROCKET	1	
06	3120951	MOTORCYCLE CHAIN	1	
07	6KJ0-110001-10000	REAR WHEEL RH SHAFT SLEEVE	2	
08	6090-112100	SPROCKET SEAT ASSY	1	
09	30500-027800N	OIL SEAL	2	FB27x47x7
10	30400-02001	BEARING	1	20x47x14
11	5280-112101	SHAFT SLEEVE	1	
12	5190-070030-1000	VALVE, INFLATION	1	
13	6KJ0-110003	BOLT	4	
14	30705-1214	TIRE	1	REAR TIRE
15	6FIV-110100-6001-0B200	REAR RIM ASSY	1	MATTE BLACK
15	6FIV-110100-6001-0YM00	REAR RIM ASSY	1	HELIOS ORANGE
15	6FIV-110100-6001-0VE00	REAR RIM ASSY	1	NEBULA WHITE
16	6KJV-110004-8000	DAMPING RUBBER, SPROCKET SEAT	1	
17	30400-01580	BEARING	1	6202-2RS
18	30204-143810	NUT	1	M14x1.5
19	6FIV-110102-6000	CENTER SPACER, REAR RIM	1	
20	30400-01583	BEARING	1	6302-2RS

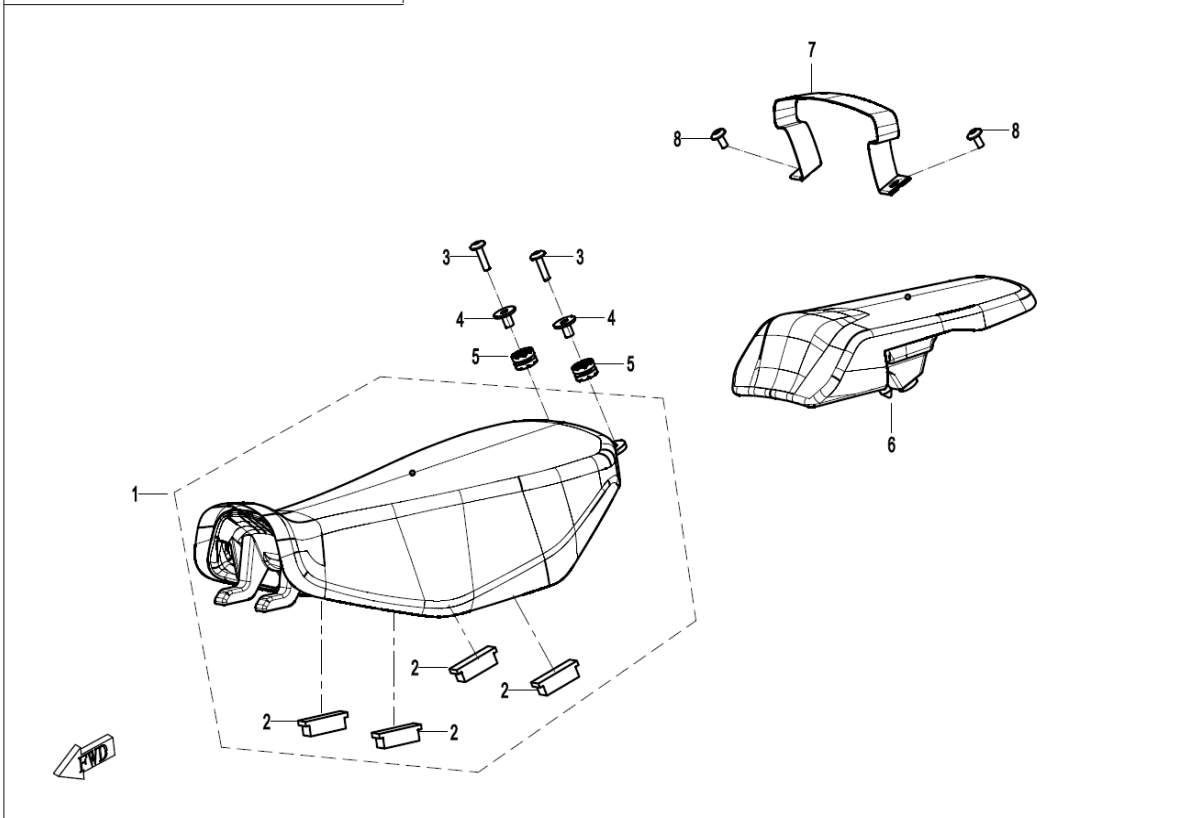
油箱/FUEL TANK



F12 FUEL TANK

ITEM NO.	PARTS NUMBER	PARTS NAME(EN)	QTY	SPECIFICATION
1	30006-060025810	BOLT	4	M6×25
2	5020-031002	FRONT LICENSE BRACKET RUBBER SLEEVE BUS	4	
3	5020-031001	RUBBER SLEEVE, FRONT LICENSE BRACKET	4	
4	6FJV-121000-1200	FUEL TANK ASSY	1	
5	6FIV-150900-2500	FUEL PUMP ASSY	1	
6	30006-050020810	BOLT	4	M5×20
7	8AJV-120210-1000-M1	CLAMP	1	
8	6070-120400	CLAMP	2	Dia14.5
9	6FIV-120030-7100	HIGH-PRESSURE FUEL HOSE ASSY	1	
10	8AJV-120220-1000-M1	QUICK JOINT	1	
11	30601-111010	CLAMP	1	A11@COLOR ZINC TRIVALENT CHROMIUM
12	6KMV-120001-C000	FUEL TANK BREATHER HOSE	1	
13	8010-150003	TIE BAND	2	5x250

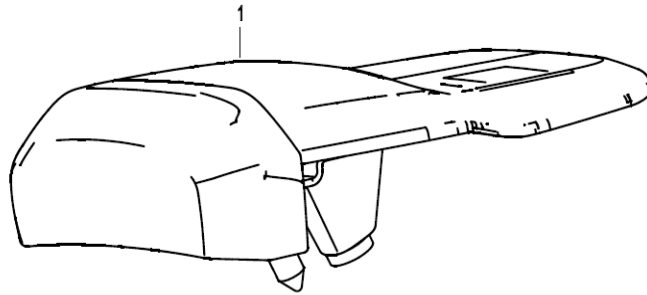
F13座垫总成/SEAT ASSY



F13-A SEAT

ITEM NO.	PARTS NUMBER	PARTS NAME(EN)	QTY	SPECIFICATION
1	6FJV-130100-1500	FRONT SEAT ASSY	1	
1	6FJV-130100-1500-10	FRONT SEAT ASSY	1	
2	6FIV-130101-7100	SHOCK PAD	4	
3	6WVVV-047002-5000	INNER HEX SCREW M6x25	2	
4	6KMO-120010	T-TYPE BUSHING ASSY	2	
5	5020-031001	RUBBER SLEEVE, FRONT LICENSE BRACKET	2	
6	6FIV-130200-7100	REAR SEAT ASSY	1	
7	6GLV-130300-7001	TIE-BAND ASSY	1	
8	6WVVV-046802-5000	INNER HEX SCREW M6x16	2	

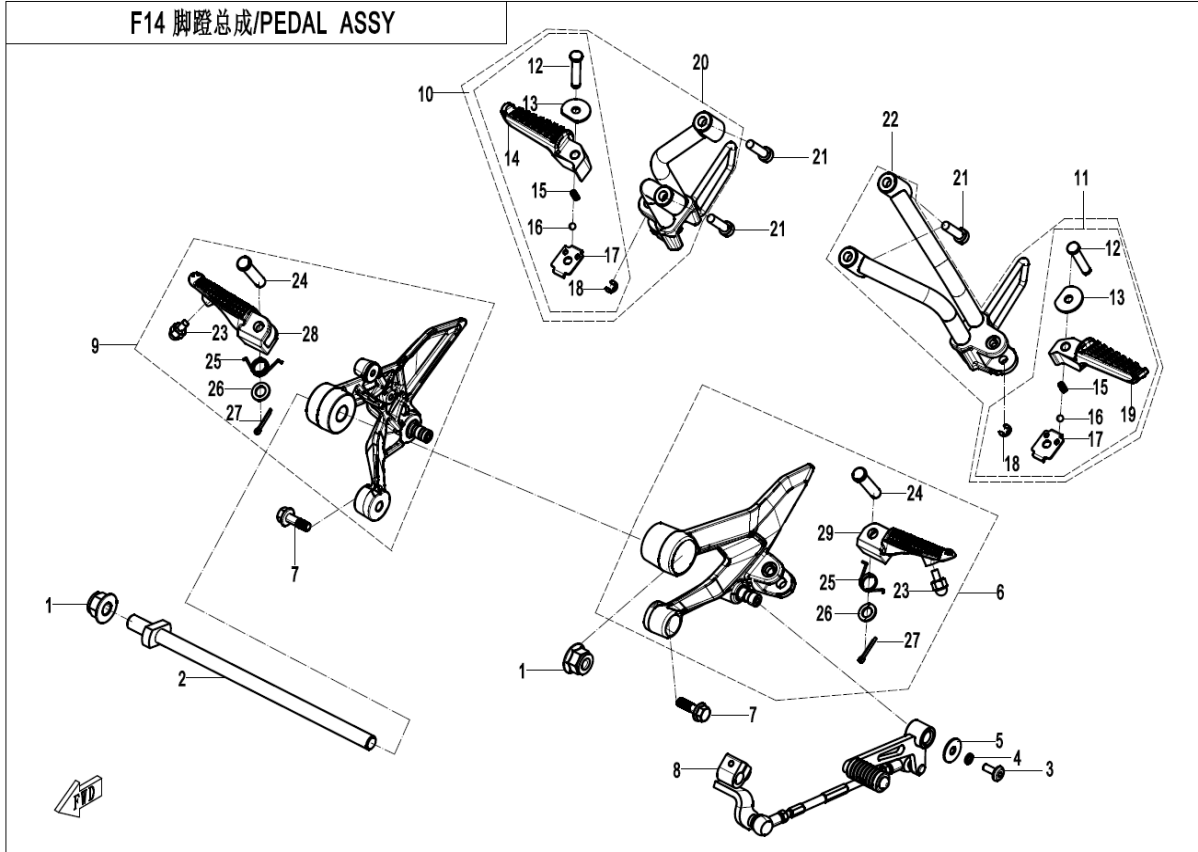
F13座垫总成/SEAT ASSY



F13-B HUMP ASSY(BLUE)

ITEM NO.	PARTS NUMBER	PARTS NAME(EN)	QTY	SPECIFICATION
1	6FJV-130300-1400	HUMP ASSY	1	DOLPHIN SUMMER BLUE

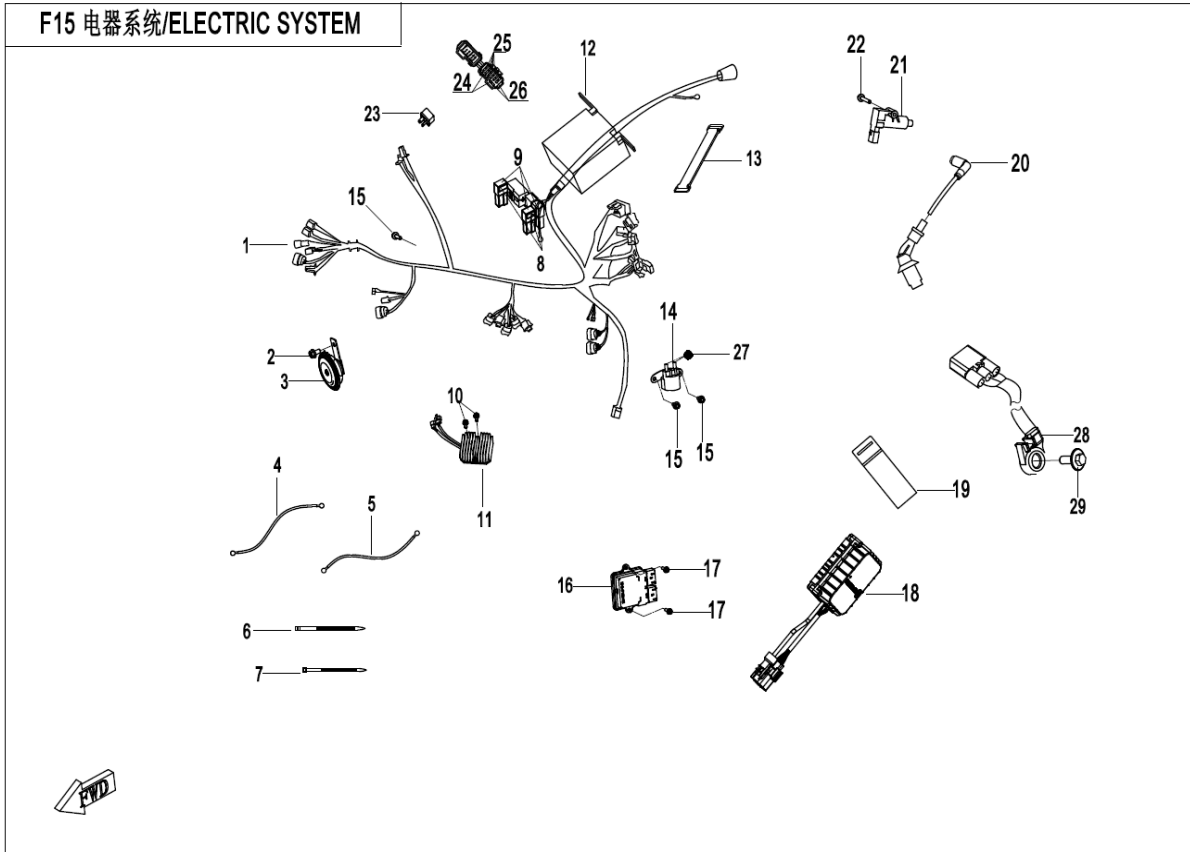
## F14 脚蹬总成/PEDAL ASSY



## F14 FOOTREST

ITEM NO.	PARTS NUMBER	PARTS NAME(EN)	QTY	SPECIFICATION
1	30204-143810	NUT	2	M14×1.5
2	6FI3-060007	REAR FORK SHAFT	1	
3	6WWV-046802-5000	INNER HEX SCREW M6×16	1	
4	30303-060152	WASHER	1	6
5	30301-060470	WASHER	1	φ6
6	6FIV-142000-9200	FRONT LH FOOTREST ASSY	1	
7	30006-080025810	BOLT	2	M8×25
8	6FIV-141000-9200	GEARSHIFT ASSY	1	
9	6FIV-143000-9200	FRONT RH FOOTREST ASSY	1	
10	A000-1401B0	REAR FOOTREST, RH	1	
11	A000-1401A0	REAR FOOTREST, LH	1	
12	A000-140142	PIN SHAFT Dia 8	2	Dia 8
13	A000-140106	LOCATING GASKET 2	2	
14	A000-140109	REAR RH FOOTREST	1	
15	5190-037813	SPRING	2	
16	5190-037814	STEEL BALL	2	
17	A000-140104	LOCATING GASKET 1	2	
18	30802-00603	SPLIT WASHER 6	2	6
19	A000-140108	REAR LH FOOTREST	1	
20	6FIV-140800-2500	REAR RH FOOTREST ASSY	1	
21	30102-080025810	SCREW	4	M8×25
22	6FIV-140700-2500	REAR LH FOOTREST ASSY	1	
23	A010-140123	LIMIT BOLT	2	
24	6WWV-140141-5000	PIN SHAFT	2	
25	A000-140103-20000	SPRING	2	
26	30300-100112	WASHER	2	φ10
27	30903-0322210	COTTER PIN	2	φ3.2×22@COLOR ZINC TRIVALENT CHROMIUM
28	6FIV-140900-7100	FRONT RH FOOTREST SEAT	1	
29	6FIV-140800-7100	REAR RH FOOTREST ASSY	1	

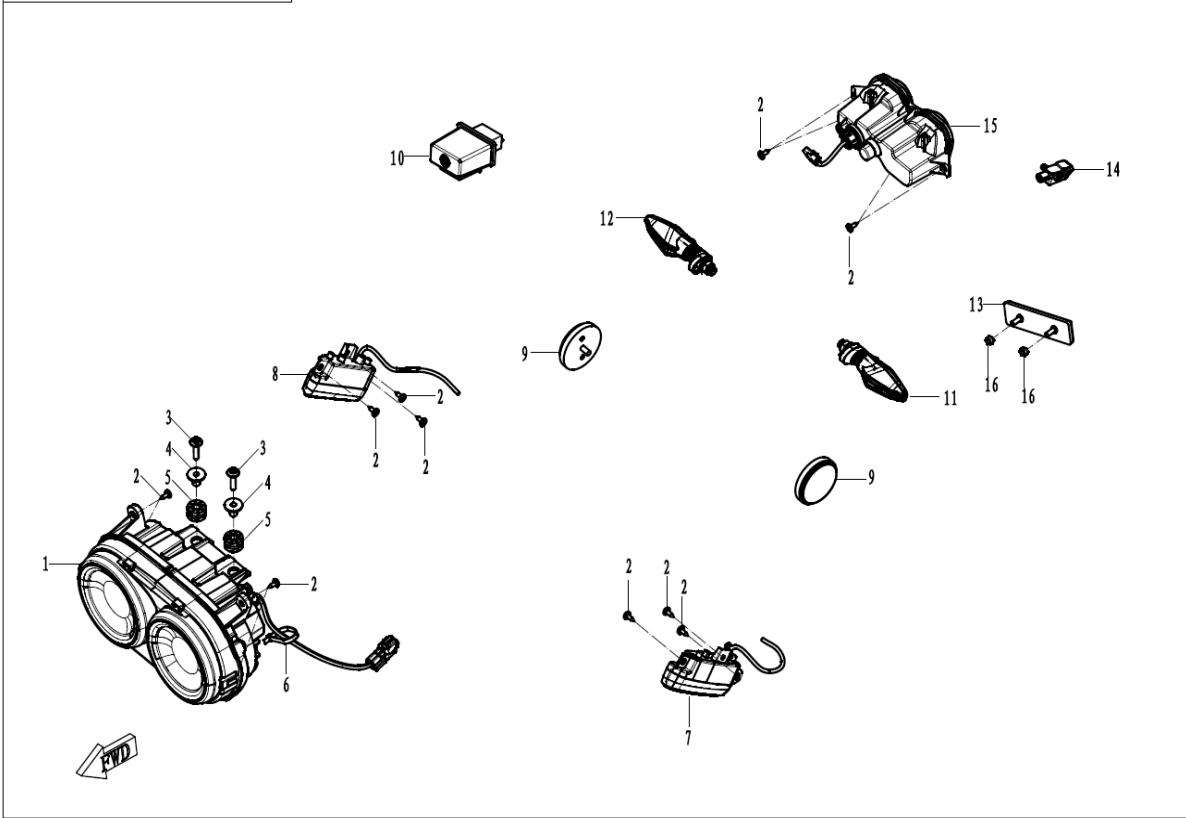
F15 电器系统/ELECTRIC SYSTEM



F15 ELECTRIC SYSTEM(ABS)

ITEM NO.	PARTS NUMBER	PARTS NAME(EN)	QTY	SPECIFICATION
1	6FIV-150100-2500	MAIN CABLE	1	
2	30006-080014810	BOLT	1	M8×14
3	6FIV-150600-7000	HORN	1	
4	6FIV-150420-7100	BATTERY NEGATIVE CABLE	1	
5	6FIV-150176-7102	LICENSE LIGHT ADAPTOR CABLE	1	
6	8010-150003	TIE BAND	9	5x250
7	801F-100101	TIE BAND	2	
8	9010-150002	AUXILIARY RELAY RUBBER RING	3	
9	CFCV-150524-2000-M1	AUXILIARY RELAY	3	
10	30006-060022810	BOLT	2	M6×22
11	6FIV-177000-7000	REGULATOR	1	
12	6FIV-151600-7001-M1	BATTERY	1	
13	1080-150700	BATTERY TIE BAND	1	
14	5270-150500	STARTER RELAY	1	
15	30006-060012810	BOLT	3	M6×12
16	6FIV-001000-2500	ECM ASSY	1	
17	30102-060012810	SCREW	2	M6×12
18	SN1V-691100-1201-11	T-BOX	1	AllyTech@Eurasia and Africa and Australia except Turkey
18	SN1V-691100-1301-11	T-BOX	1	North Amrica
18	SN1V-691100-1401-11	T-BOX	1	AllyTech@South America except for Brazil
18	SN1V-691100-1501-11	T-BOX	1	Turkey
18	SN1V-691100-1601-11	T-BOX	1	Brazil
19	6KMV-150901-B002	T-BOX RUBBER RING	1	
20	6FIV-003500-7100	HIGH-PRESSURE CABLE ASSEMBLY	1	
21	6FIV-003400-8000	IGNITION COIL	1	
22	30006-060035810	BOLT	1	M6×35
23	6090-150500	DIODE, STARTER	3	
24	8010-151301	FUSE 5A	2	5A
25	806A-151305	FUSE 15A	5	15A
26	806A-151308	30A FUSE	2	
27	30200-060810	NUT	2	M6
28	6KMV-151500-3000	SIDE STAND SWITCH	1	
29	8010-090005	BOLT M6×16	1	M6×16

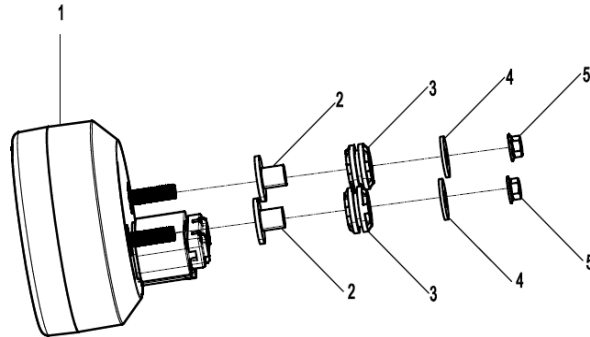
照明及信号总成/LAMP ASSY



F16 LIGHTS

ITEM NO.	PARTS NUMBER	PARTS NAME(EN)	QTY	SPECIFICATION
1	6FIV-160110-7102	HEADLIGHT	1	
2	30110-421130010	SELF-TAPPING SCREW	14	ST4.2x13@COLOR ZINC TRIVALENT CHROMIUM
3	6GU#-000201-6000	INNER HEX SCREW M6x25	2	
4	6GU#-000202-6000	T-TYPE BUSHING ASSY	2	
5	5020-031001	RUBBER SLEEVE, FRONT LICENSE BRACKET	2	
6	8010-150003	TIE BAND	1	5x250
7	6FIV-165100-7101	FRONT LH TURN LIGHT ASSEMBLY	1	
8	6FIV-165200-7101	RH FRONT TURN LIGHT ASSY	1	
9	9GQV-160920-1401-M1	FRONT SIDE REFLECTOR	2	
10	6FIV-161000-7100	FLASHER	1	
11	EG5V-160530-1000	REAR LH TURN LIGHT ASSY	1	
12	EG5V-160540-1000	RH REAR TURN LIGHT ASSY	1	
13	6FIV-160910-4000-M1	REAR REFLECTOR	1	
14	6GUV-160600-6200	LICENSE LIGHT	1	
15	6FIV-160200-7102	TAIL LIGHT	1	
16	30202-050110	NUT	2	M5

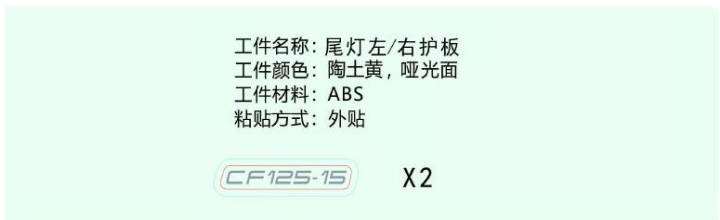
仪表总成/DASHBOARD ASSY



F17 DASHBOARD

ITEM NO.	PARTS NUMBER	PARTS NAME(EN)	QTY	SPECIFICATION
1	6FJV-171000-1400	DASHBOARD	1	
2	6090-040303	BUSHING	2	
3	6WWW-030019-5000	CUSHION SLEEVE	2	
4	30301-060470	WASHER	2	φ6
5	30202-060110	NUT	2	M6@COLOR ZINC TRIVALENT CHROMIUM

F19-1 DECAL



工件名称: 尾灯左/右护板  
 工件颜色: 陶土黄, 哑光面  
 工件材料: ABS  
 粘贴方式: 外贴

CF125-15 X2



F19-1 DECAL

ITEM NO.	PARTS NUMBER	PARTS NAME(EN)	QTY	SPECIFICATION
01	6FIA-190201-6500	FUEL TANK WARNING LABEL	1	
02	6FIV-190006-2500	MODEL DECAL	2	



## 6FJV-190100-1400-11 个性贴花总成

### 陶土黄车色用

**刀模线**      **墨线线**

■ 橙黄色    ■ 黑色    ■ 银灰色    ■ 陶土黄/银灰色

**贴花材料属性**

- 光白亮光
- 光白哑光
- 透明亮光
- 透明哑光
- 透明内贴

**01** 工件名称: 前挡左护板  
 工件颜色: 陶土黄、银灰色  
 工件材料: ABS  
 粘贴方式: 外贴



星光图案部分亮光

**02** 工件名称: 前挡右护板  
 工件颜色: 陶土黄、银灰色  
 工件材料: ABS  
 粘贴方式: 外贴



星光图案部分亮光

**03** 工件名称: 左前护板  
 工件颜色: 陶土黄、银灰色  
 工件材料: ABS  
 粘贴方式: 外贴



星光图案部分亮光

**04** 工件名称: 右前护板  
 工件颜色: 陶土黄、银灰色  
 工件材料: ABS  
 粘贴方式: 外贴



星光图案部分亮光

**05** 工件名称: 左后护板  
 工件颜色: 陶土黄、银灰色  
 工件材料: ABS  
 粘贴方式: 外贴



**06** 工件名称: 右后护板  
 工件颜色: 陶土黄、银灰色  
 工件材料: ABS  
 粘贴方式: 外贴



**07** 工件名称: 左尾灯罩  
 工件颜色: 陶土黄、银灰色  
 工件材料: ABS  
 粘贴方式: 外贴



**08** 工件名称: 右尾灯罩  
 工件颜色: 陶土黄、银灰色  
 工件材料: ABS  
 粘贴方式: 外贴



**09** 工件名称: 尾灯左护板  
 工件颜色: 陶土黄、银灰色  
 工件材料: ABS  
 粘贴方式: 外贴



**10** 工件名称: 尾灯右护板  
 工件颜色: 陶土黄、银灰色  
 工件材料: ABS  
 粘贴方式: 外贴



**11** 工件名称: 前挡左脚踏板左侧  
 工件颜色: 陶土黄、银灰色  
 工件材料: ABS  
 粘贴方式: 外贴



星光图案部分亮光

**12** 工件名称: 前挡右脚踏板右侧  
 工件颜色: 陶土黄、银灰色  
 工件材料: ABS  
 粘贴方式: 外贴



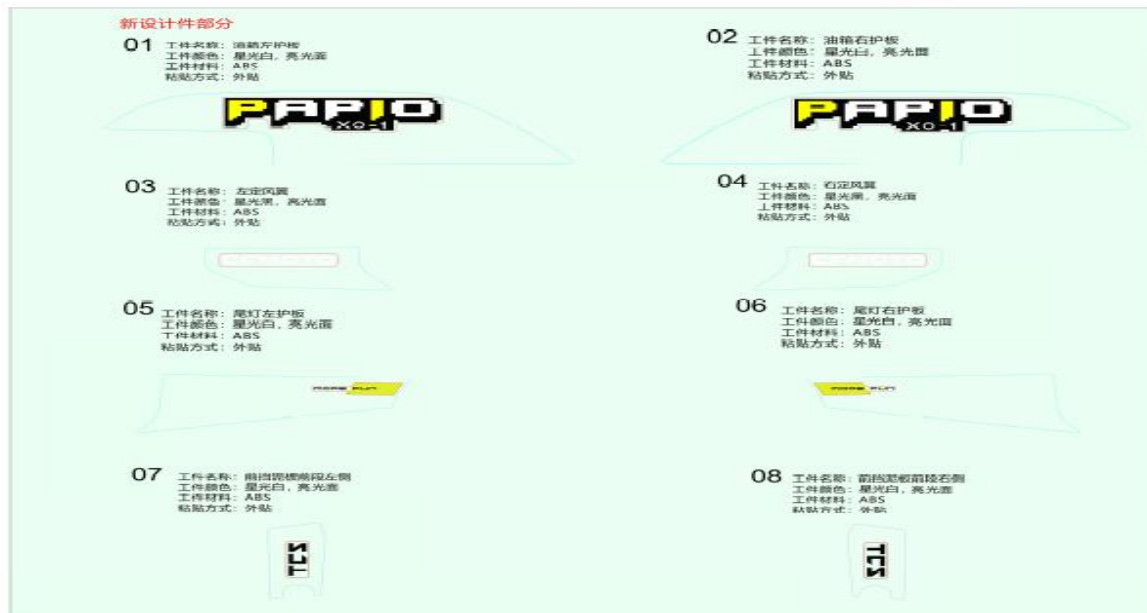
星光图案部分亮光

## F19-2-B DECAL ASSY(DESERT KHAKI)

ITEM NO.	PARTS NUMBER	PARTS NAME(EN)	QTY	SPECIFICATION
1	6FJV-190101-1400-11	LH COMMERCIAL NAME DECAL	1	
2	6FJV-190102-1400-11	RH COMMERCIAL NAME DECAL	1	
3	6FJV-190103-1400-11	FRONT LH PANEL DECAL 1	1	
4	6FJV-190104-1400-11	FRONT RH PANEL DECAL 1	1	
5	6FIV-190105-9200-10	LH CFMOTO DECAL	1	
6	6FIV-190106-9200-10	RH CFMOTO DECAL	1	
7	6FIV-190107-9200-10	FRONT LH PANEL DECAL 2	1	
8	6FIV-190108-9200-10	FRONT RH PANEL DECAL 2	1	
9	6FJV-190109-1400-11	TAIL LIGHT LH PANEL DECAL	1	
10	6FJV-190110-1400-11	TAIL LIGHT RH PANEL DECAL	1	
11	6FIV-190111-9200-10	LH TCS DECAL	1	
12	6FIV-190112-9200-10	RH TCS DECAL	1	
13	6FJV-190100-1400-11	DECAL ASSY	1	

# 6FJV-190100-1400-12 个性贴花总成

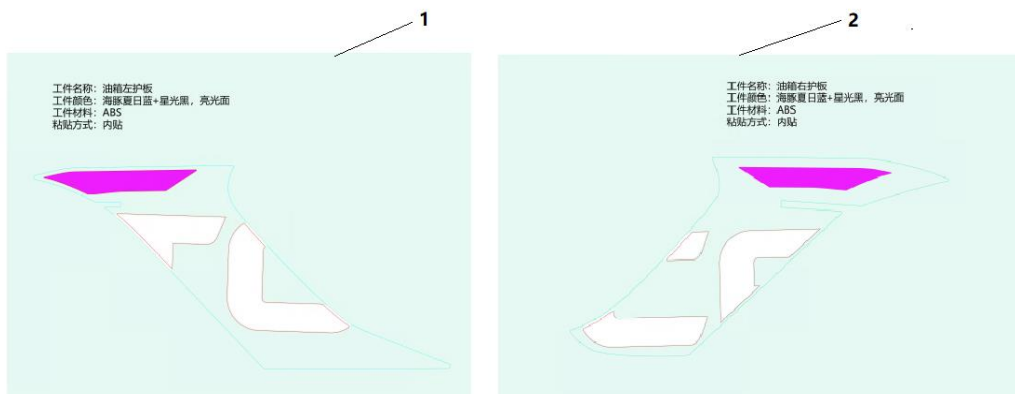
## 星光白车色用



## F19-2-C DECAL ASSY(NEBULA WHITE)

ITEM NO.	PARTS NUMBER	PARTS NAME(EN)	QTY	SPECIFICATION
1	6FJV-190101-1400-12	LH COMMERCIAL NAME DECAL	1	
2	6FJV-190102-1400-12	RH COMMERCIAL NAME DECAL	1	
3	6FIV-190103-9200-11	LH CFMOTO DECAL	1	
4	6FIV-190104-9200-11	RH CFMOTO DECAL	1	
5	6FJV-190105-1400-12	TAIL LIGHT LH PANEL DECAL	1	
6	6FJV-190106-1400-12	TAIL LIGHT RH PANEL DECAL	1	
7	6FIV-190107-9200-11	LH TCS DECAL	1	
8	6FIV-190108-9200-11	RH TCS DECAL	1	
9	6FJV-190100-1400-12	DECAL ASSY	1	

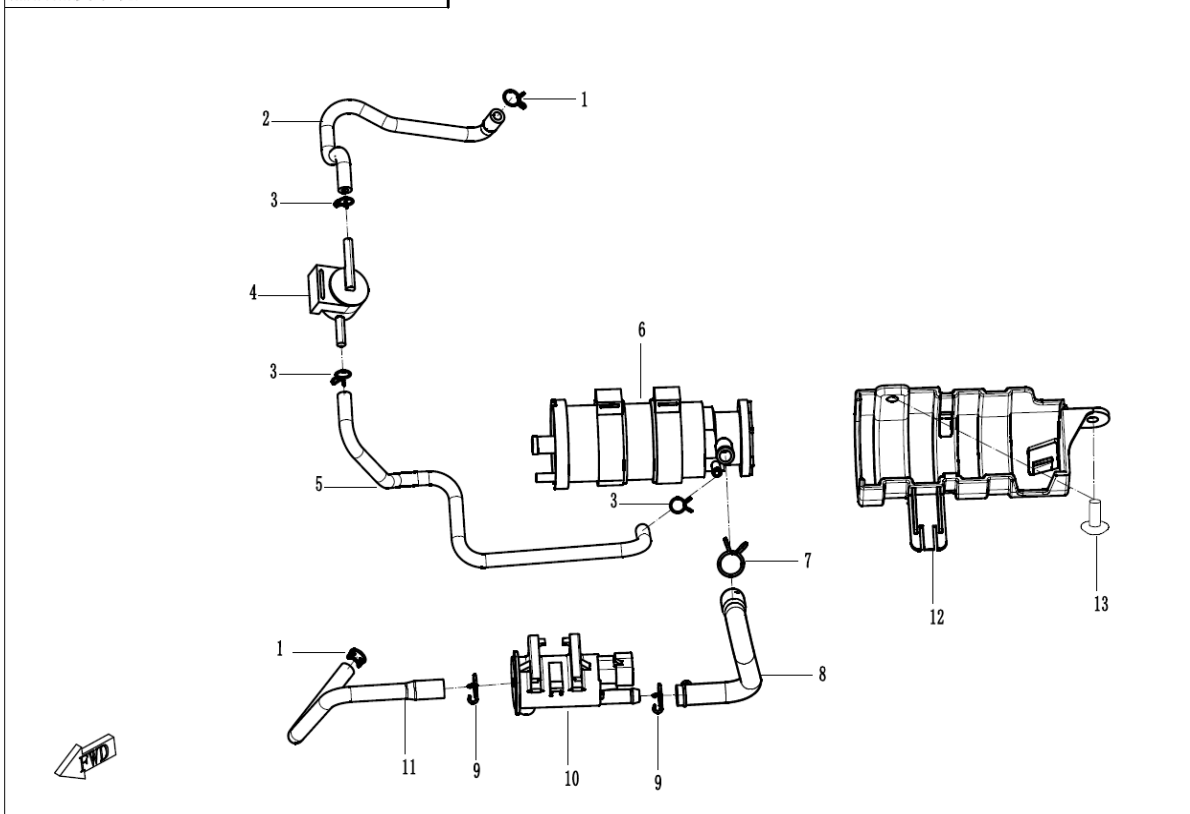
F19-3 FUEL TANK PANEL DECAL



F19-3 FUEL TANK PANEL DECAL(BLUE)

ITEM NO.	PARTS NUMBER	PARTS NAME(EN)	QTY	SPECIFICATION
01	6FJV-190200-1400-10	FUEL TANK LH PANEL DECAL	1	
02	6FJV-190300-1400-10	FUEL TANK RH PANEL DECAL	1	

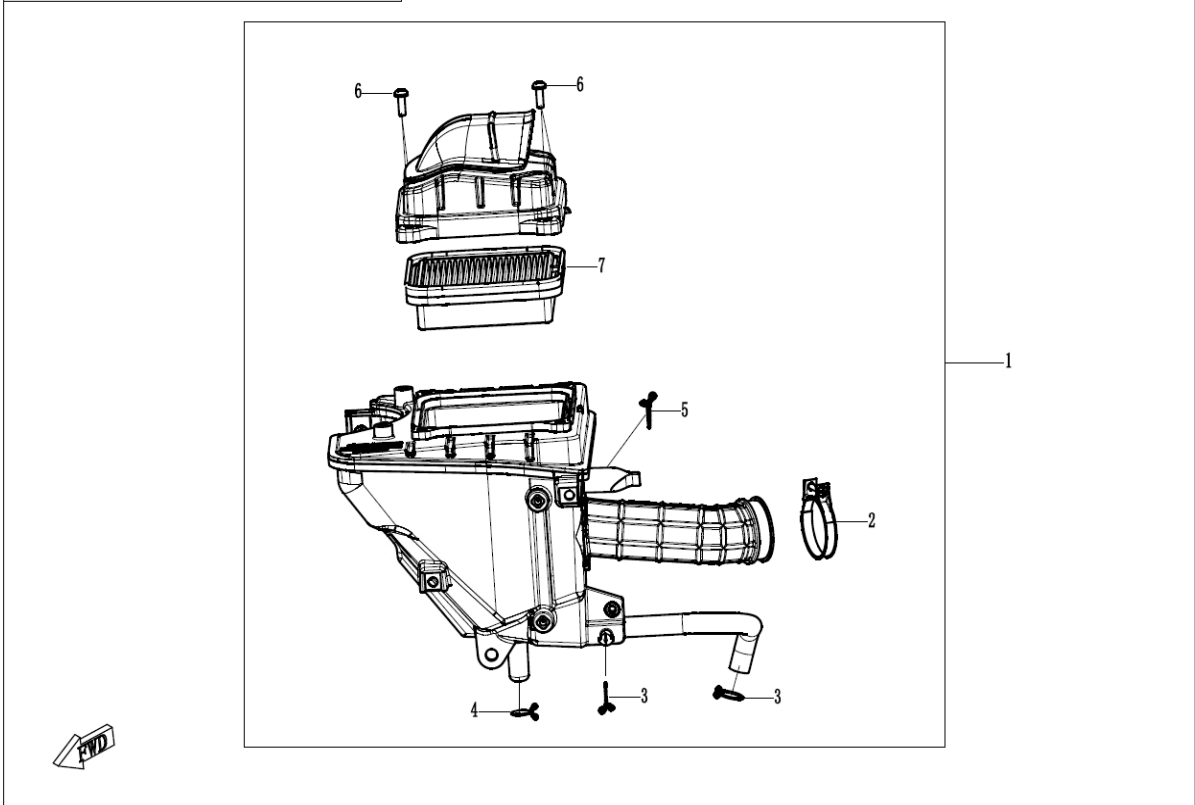
燃油蒸发系统/FUEL EVAPORATION SYSTEM



F36 FUEL VAPORIZATION SYSTEM

ITEM NO.	PARTS NUMBER	PARTS NAME(EN)	QTY	SPECIFICATION
1	30601-109010	CLAMP	2	A9
2	6FIV-360001-7100	FUEL VAPOR ADSORPTION HOSE 1	1	
3	30601-108010	CLAMP	3	A8@COLOR ZINC TRIVALENT CHROMIUM
4	606B-360100	ANTI-ROLLOVER VALVE	1	
5	6FIV-360002-7100	FUEL VAPOR ADSORPTION HOSE 2	1	
6	6FIV-360200-7100	CANISTER	1	
7	30601-114010	CLAMP	1	"
8	6FIV-360003-7100	FUEL VAPOR DESORPTION HOSE 1	1	
9	30601-112010	CLAMP	2	A12@COLOR ZINC TRIVALENT CHROMIUM
10	6FIV-003200-8000	CANISTER MAGNETIC VALVE	1	
11	6FIV-360004-7100	FUEL VAPOR DESORPTION HOSE 2	1	
12	6FIV-041503-7100	CANISTER BOX	1	
13	6WWW-046702-5000	INNER HEX SCREW M6x12	2	

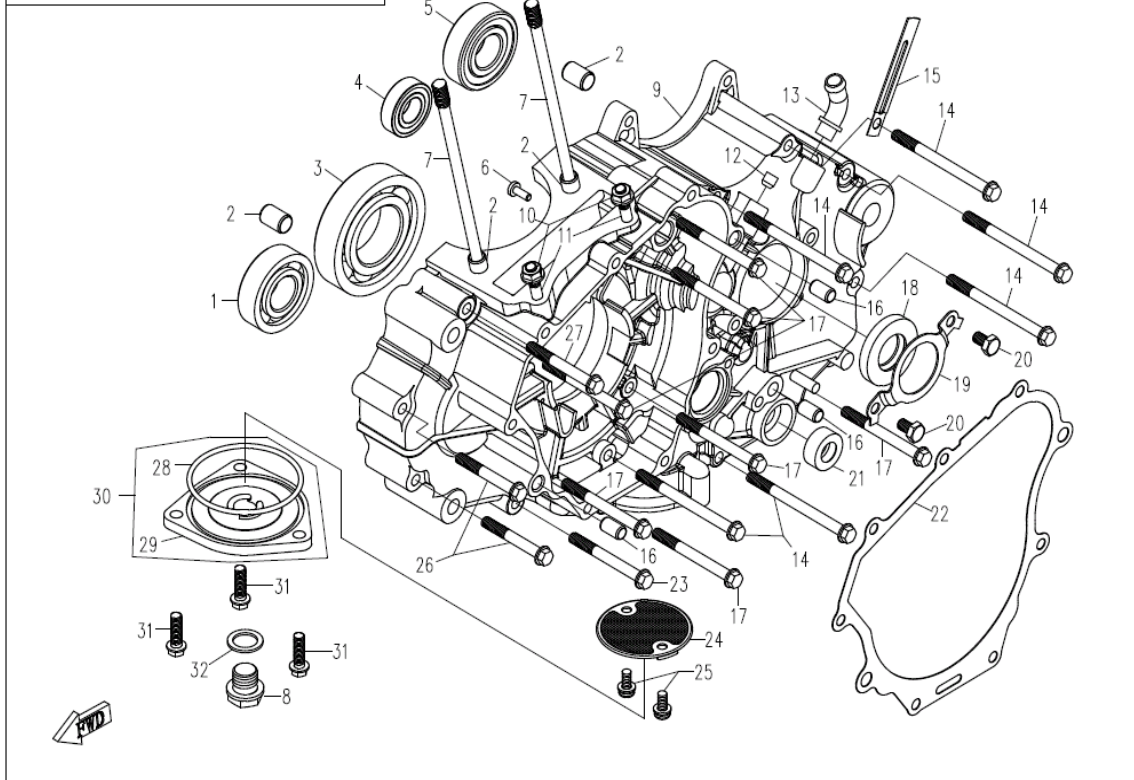
空滤器组/AIR FILTER ASSY



F41 AIR FILTER

ITEM NO.	PARTS NUMBER	PARTS NAME(EN)	QTY	SPECIFICATION
1	OKIV-110000-4000	AIR FILTER ASSY	1	
2	OKIA-110100	d44 CLAMP ASSY	1	d44
3	30601-114010	CLAMP	2	"
4	30601-113510	CLAMP	1	
5	30601-117010	CLAMP	1	A17
6	30112-050016430	SCREW ASSY	4	M5x16@CHROME-PLATED
7	OKIV-112000-4000	FILTER ELEMENT	1	

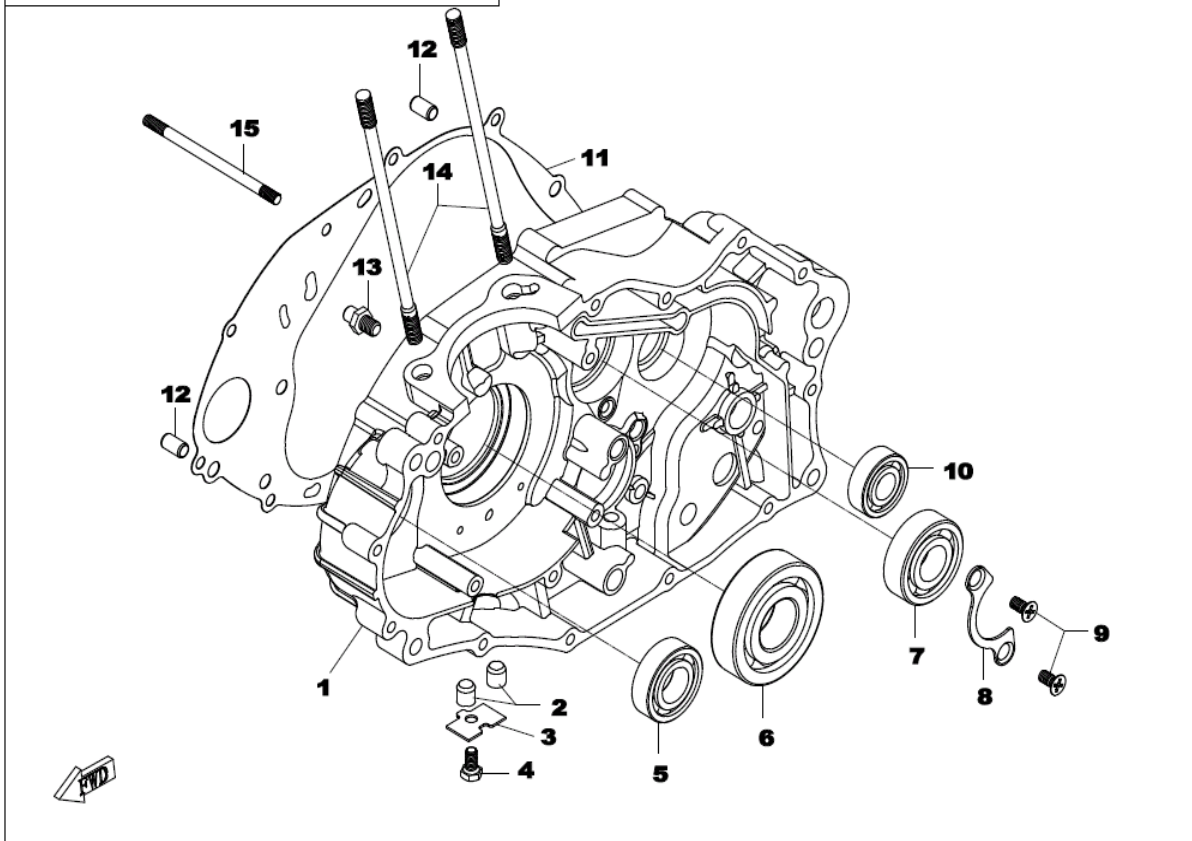
E01-1 左曲轴箱分总成 LEFT CRANKCASE



E01-1 LEFT CRANKCASE ASSY.

ITEM NO.	PARTS NUMBER	PARTS NAME(EN)	QTY	SPECIFICATION
01	30400-02006	BEARING	1	20x47x14
02	0C10-011007	DOWEL PIN	4	Dia11x16
03	30400-03503	BEARING	1	35x72x17
04	30400-01502	BEARING	1	15x32x9
05	30400-02001	BEARING	1	20x47x14
06	0A70-011008	SCREW 4x11	1	4x11
07	0010-011005-00002	CYLINDER BOLT B	2	
08	0A70-011009-00001	SCREW PLUG M14x1.25x12	1	
09	0K12-011100-0B204	LH CRANKCASE	1	
10	30202-060110	NUT	2	M6@COLOR ZINC TRIVALENT CHROMIUM
11	30011-060025820	STUD	2	M6x25
12	0A70-013004	PLUG	1	
13	0A80-011002	BREATHER HOSE JOINT	1	
14	0A70-011005-00001	BOLT M6x75	6	GALVANIZED TRIVALENT CHROMIUM
15	0180-014010	WIRE CLAMP	1	
16	0010-080008	DOWEL PIN	3	8X14
17	0010-011017-0010	BOLT M6x60	7	GALVANIZED TRIVALENT CHROMIUM
18	0A80-011500	OIL SEAL	1	20x40X6
19	0A70-011006	COUNTERSHAFT OIL SEAL PRESS	1	
20	30004-060010850	BOLT M6x10	2	M6x10
21	0A70-011400	OIL SEAL	1	12x22x9
22	0A80-011001	GASKET, LH FRONT COVER	1	
23	0010-021018-0010	BOLT M6x55	1	GALVANIZED TRIVALENT CHROMIUM
24	0A70-011300	FILTER ASSY	1	
25	30116-050012410	SCREW ASSY	2	M5x12@COLOR ZINC TRIVALENT CHROMIUM
26	0180-013208-0010	BOLT M6x45	2	GALVANIZED TRIVALENT CHROMIUM
27	0010-013010-0010	BOLT M6x50	1	GALVANIZED TRIVALENT CHROMIUM
28	0A70-011002	O-RING 60.5x2.4,OIL STRAINER COVER	1	60.5x2.4
29	0A70-011004-0B20	FILTER COVER	1	MATTE BLACK
30	0A70-0110A0-0B20	FILTER COVER ASSY	1	MATTE BLACK
31	0010-023010-0010	BOLT M6x20	3	GALVANIZED TRIVALENT CHROMIUM
32	0180-011006	GASKET 14	1	14

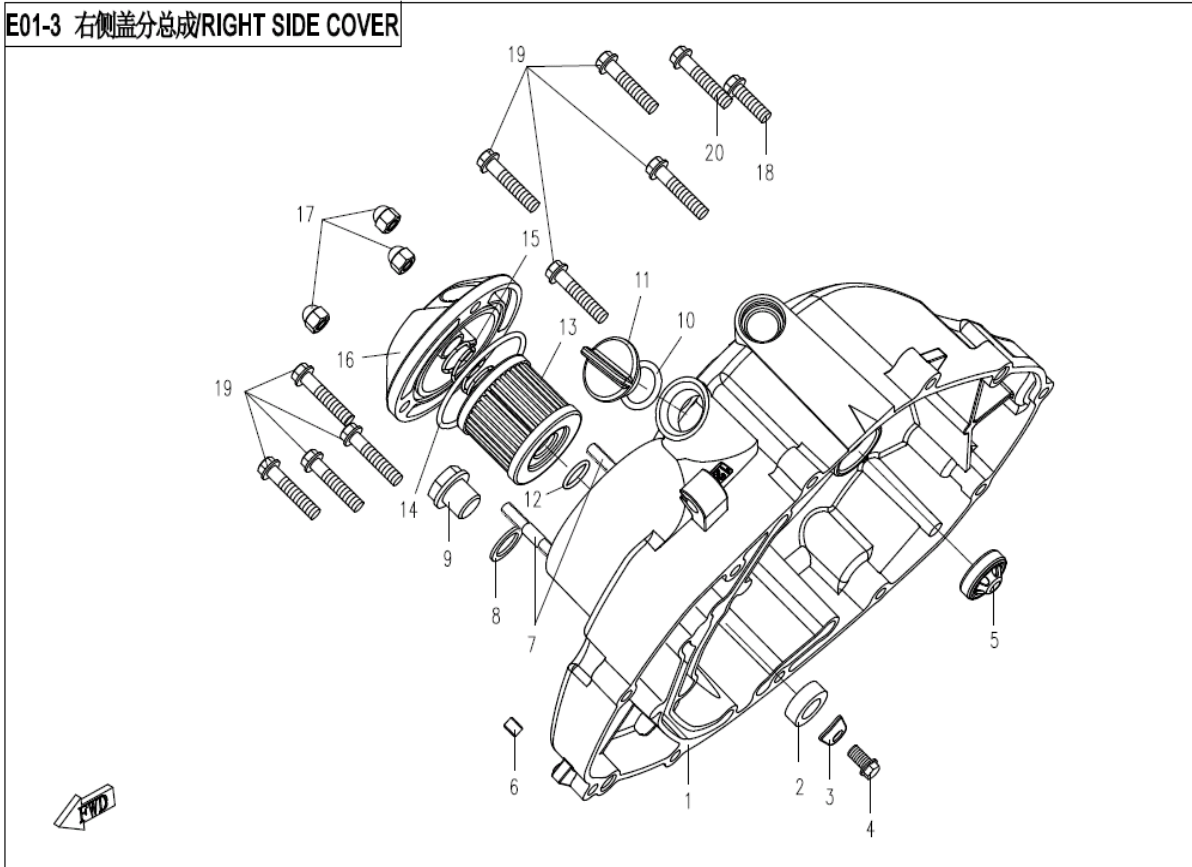
E01-2 右曲轴箱分总成/RIGHT CRANKCASE



E01-2 RIGHT CRANKCASE ASSY.

ITEM NO.	PARTS NUMBER	PARTS NAME(EN)	QTY	SPECIFICATION
01	0KI2-012100-0B20	RH CRANKCASE	1	MATTE BLACK
02	0A70-012007	PLUG	2	
03	0A70-012006	PRESS PLATE, OIL PASSAGE	1	
04	30004-060012820	BOLT M6x12	1	M6x12
05	30400-02008	BEARING	1	20×42×12
06	30400-02801	BEARING	1	28×52×12
07	30400-02000	BEARING	1	20×47×14
08	0A70-012002	PRESS TOOL. BEARING	1	
09	30107-060012410	SCREW	2	M6x12@COLOR ZINC-PLATED
10	30400-01503	BEARING	1	15×35×11
11	0A80-012005	RH SIDE COVER GASKET	1	
12	0010-080008	DOWEL PIN	2	8X14
13	0A70-012001-00003	LIMIT BOLT	1	
14	0A70-012004-00002	CYLINDER STUD	2	M8X175
15	0A70-012003-00002	STUD	1	M6×99

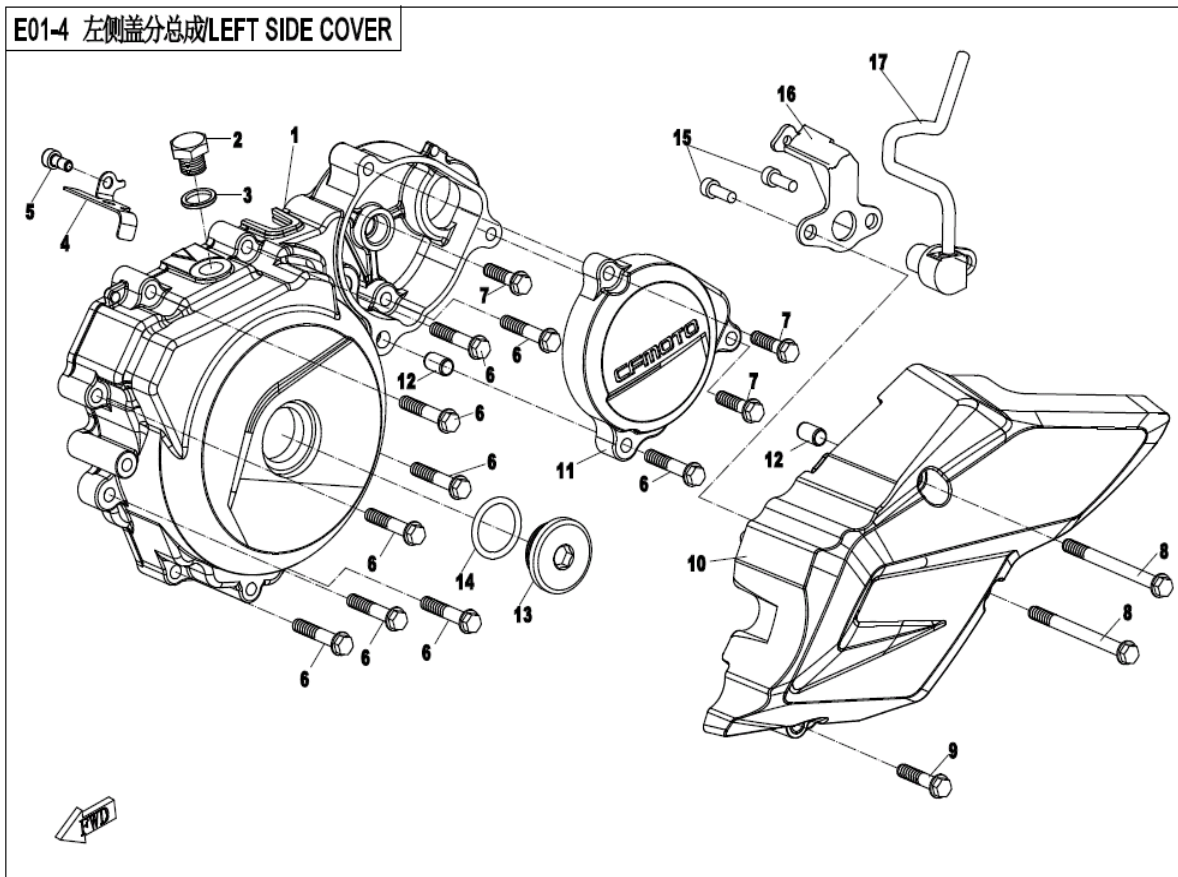
**E01-3 右侧盖分总成/RIGHT SIDE COVER**



**E01-3 RIGHT SIDE COVER ASSY.**

ITEM NO.	PARTS NUMBER	PARTS NAME(EN)	QTY	SPECIFICATION
01	0A80-013001-2B201	RH SIDE COVER	1	MATTE BLACK
02	0A70-013100	OIL SEAL 12x21x7, CRANKCASE	1	12x21x7
03	0A80-013003	PRESS PLATE, OIL SEAL	1	
04	30105-060012410	SCREW	1	M6x12
05	0A70-013500	VIEWER, OIL LEVEL	1	
06	0A70-013004	PLUG	1	
07	30017-060022110	STUD	2	M6x22
08	0180-011006	GASKET 14	1	14
09	0A70-013007-00001	SCREW PLUG M14x1.25x12	1	
10	0A70-013006	O-SEAL RING 16.8x3.1	1	16.8x3.1
11	0A70-013005	OIL FILLING PORT BOLT PLUG	1	
12	01A0-013005	O-SEAL RING	1	13x2
13	0A70-013200	FILTER ELEMENT, PAPER	1	
14	01A0-013003	O-RING	1	53.6x2.4
15	0A70-013003	SPRING, FILTER ELEMENT	1	
16	0A80-013002-0B20	COVER, OIL FILTER	1	MATTE BLACK
17	30212-060810	NUT	3	M6
18	0010-023010-0010	BOLT M6x20	1	GALVANIZED TRIVALENT CHROMIUM
19	0010-060012-0010	BOLT M6x30	8	GALVANIZED TRIVALENT CHROMIUM
20	0010-013008-0010	BOLT M6x35	1	GALVANIZED TRIVALENT CHROMIUM

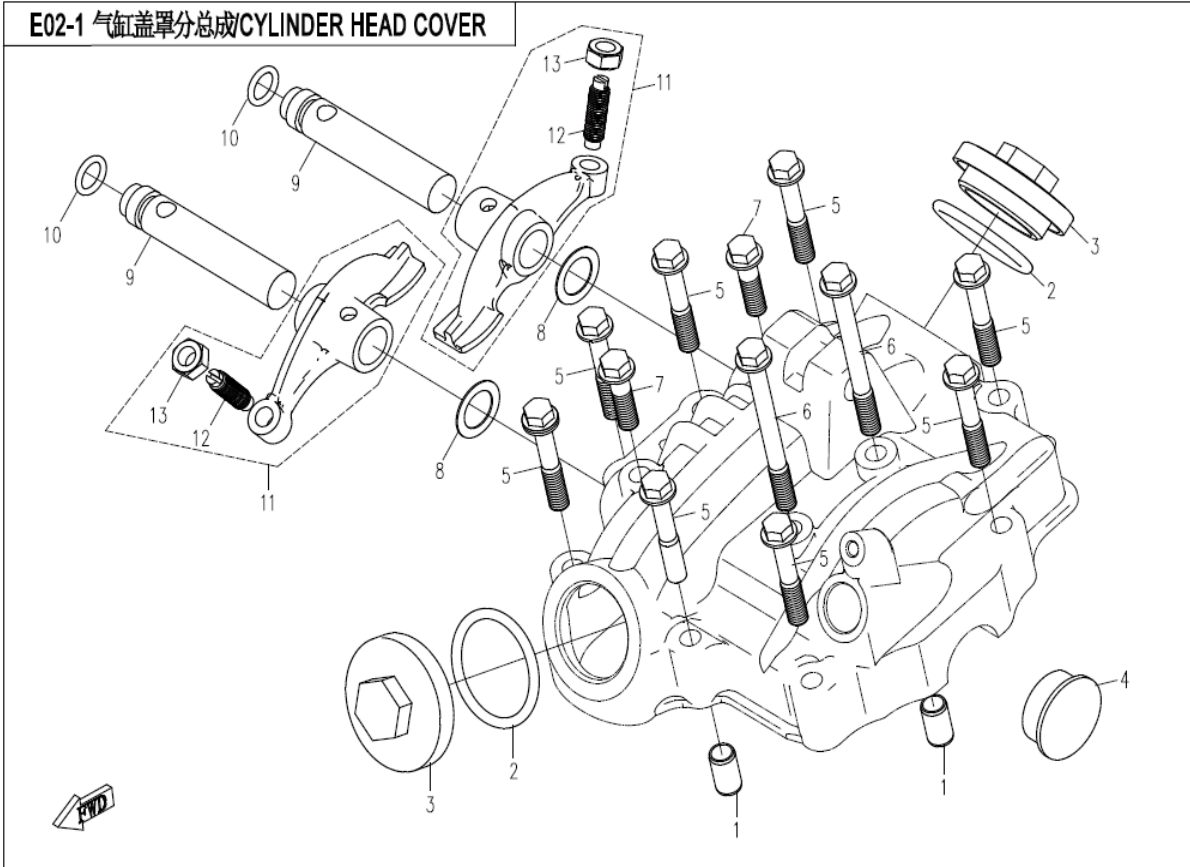
E01-4 左侧盖分总成/LEFT SIDE COVER



E01-4-V2 LEFT SIDE COVER ASSY.

ITEM NO.	PARTS NUMBER	PARTS NAME(EN)	QTY	SPECIFICATION
01	0A80-014001-1B204	FRONT LH COVER	1	MATTE BLACK
02	0A70-014007-00001	SCREW PLUG, VIEW HOLE	1	
03	0010-021014	WASHER 12	1	12
04	0A80-014005	WIRE PRESS PLATE	1	
05	30102-050012810	SCREW	1	M5x12@COLOR ZINC TRIVALENT CHROMIUM
06	0010-013008-0010	BOLT M6x35	9	GALVANIZED TRIVALENT CHROMIUM
07	0010-021017-0010	BOLT M6x25	3	GALVANIZED TRIVALENT CHROMIUM
08	0A70-011005-00001	BOLT M6x75	2	GALVANIZED TRIVALENT CHROMIUM
09	0010-060012-0010	BOLT M6x30	1	GALVANIZED TRIVALENT CHROMIUM
10	0KIA-014100	REAR COVER, LH	1	
11	0A80-014003-2B202	FRONT LH COVER GEAR COVER	1	MATTE BLACK
12	0010-080008	DOWEL PIN	2	8X14
13	0A70-014005-0B20	BOLT CAP, LH FRONT SIDE COVER	1	MATTE BLACK
14	0A70-014006-10000	O-RING	1	22.7x3.1
15	30102-050016810	SCREW	2	GB/T70.1_M5x16
17	0700-065310-10000	SPEED SENSOR	1	

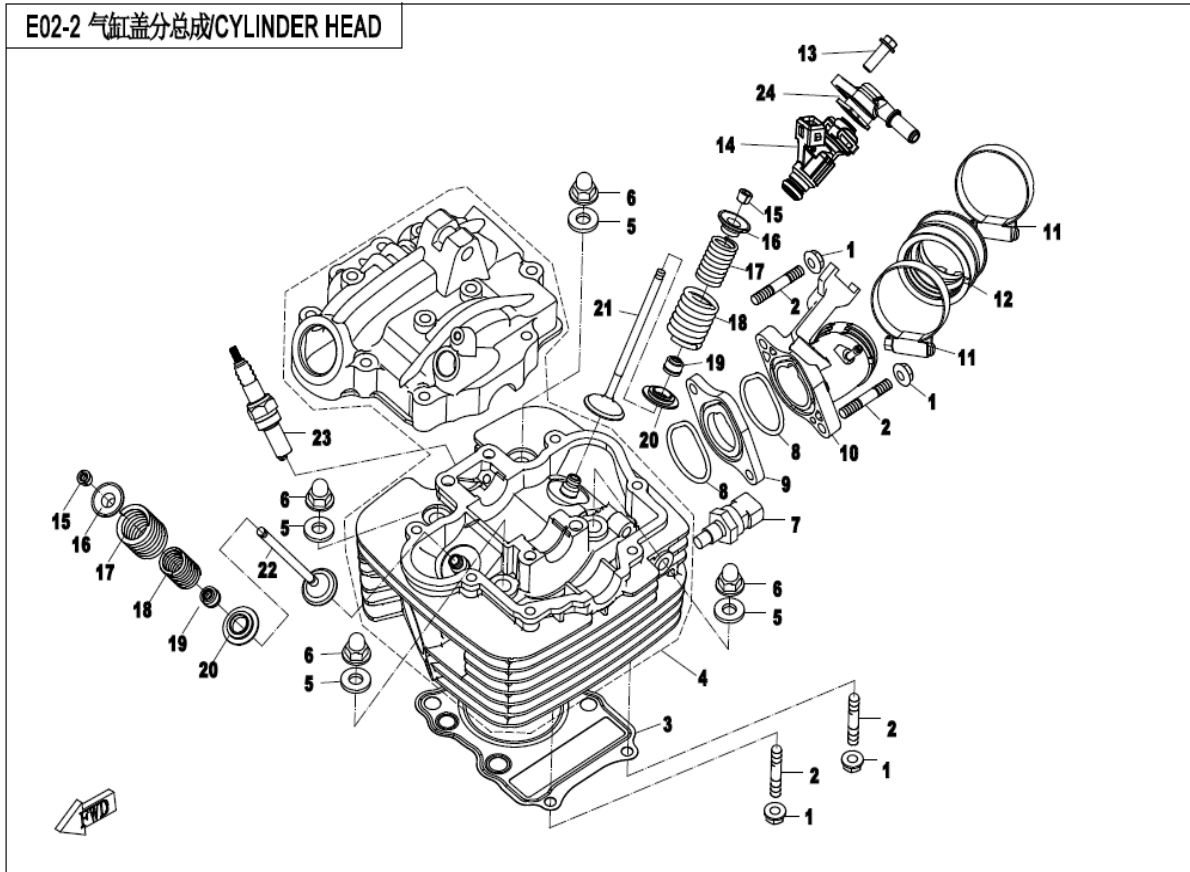
E02-1 气缸盖罩分总成 CYLINDER HEAD COVER



E02-1 CYLINDER HEAD COVER ASSY.

ITEM NO.	PARTS NUMBER	PARTS NAME(EN)	QTY	SPECIFICATION
01	0C10-021003	DOWEL PIN Dia 8X12	2	Dia8X12
02	0110-013028	O-RING	2	30x3.55
03	0110-013007-0B20	COVER, STRAINER	2	MATTE BLACK
04	0C10-021002	CAMSHAFT PLUG	1	
05	0010-013008-0010	BOLT M6x35	8	GALVANIZED TRIVALENT CHROMIUM
06	0010-011017-0010	BOLT M6x60	2	GALVANIZED TRIVALENT CHROMIUM
07	0010-080013-0010	BOLT M6x22	2	GALVANIZED TRIVALENT CHROMIUM
08	0A70-021002	WASHER	2	
09	0C10-021004	ROCKER ARM SHAFT	2	
10	0A70-021005	O-RING	2	8.6x1.9
11	0A70-021100	SWING ARM ASSY	2	
12	0A70-021102	ADJUST SCREW, VALVE CLEARANCE	2	
13	0A70-021103	ADJUST NUT, VALVE CLEARANCE	2	

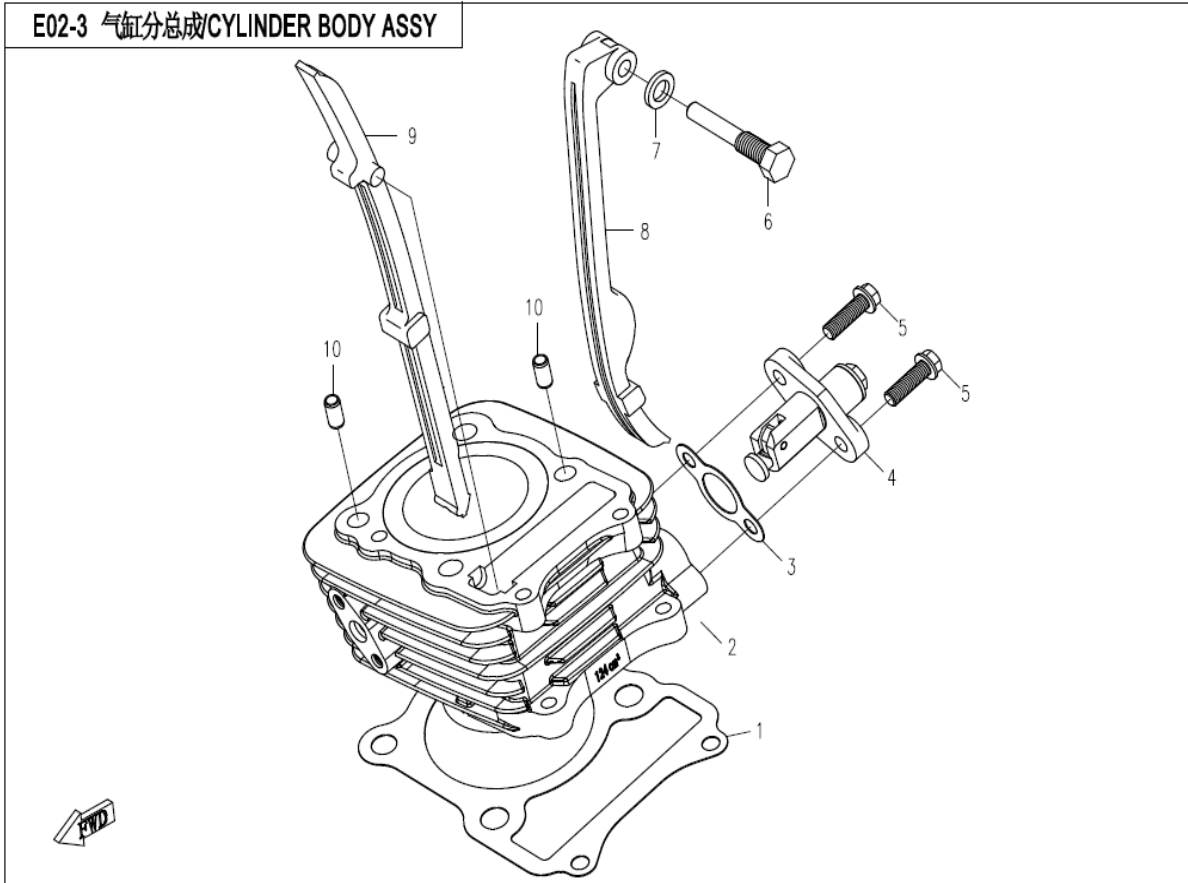
E02-2 气缸盖分总成/CYLINDER HEAD



E02-2 CYLINDER HEAD ASSY.

ITEM NO.	PARTS NUMBER	PARTS NAME(EN)	QTY	SPECIFICATION
01	30204-060810	NUT	4	M6
02	30011-060025820	STUD	4	M6x25
03	0C10-022008	CYLINDER HEAD GASKET	1	
04	OKIA-0220A0-0B200	CYLINDER HEAD & HEAD COVER	1	MATTE BLACK
05	0010-022012	WASHER 8	4	8
06	0010-022013-00002	NUT	4	M8
07	OKIA-022005	CYLINDER HEAD TEMP. SENSOR	1	
08	OKIA-022003	INJECTOR SEAT SEAL RING	2	
09	OKIA-022002	FUEL INJECTOR SEAT HEAT INSULATOR	1	
10	OKIV-022201-4002	INJECTOR SEAT	1	
11	30603-050000	CLAMP	2	D50
12	OKIA-022004-00001	CONNECTING PIPE, THROTTLE BODY	1	
13	0010-023008-00001	BOLT	1	
14	OKIV-171000-4000	INJECTOR ASSY	1	
15	0C10-022006	LOCK CLIP, VALVE	4	
16	0C10-022005	SPRING PLATE, VALVE	2	
17	0A70-022003	INNER SPRING, VALVE	2	
18	0A70-022004	OUTER SPRING, VALVE	2	
19	0010-022500-10000	SEAL RING, VALVE STEM	2	
20	0C10-022007	SEAT, VALVE SPRING	2	
21	0C10-022001	VALVE, INTAKE	1	
22	0C10-022002	EXHAUST VALVE	1	
23	01A0-022400-0001	SPARK PLUG	1	NCK CR8E
23	OKIV-022400-4000	SPARK PLUG ASSY	1	
24	OKIV-170010-4000	INJECTOR CAP	1	

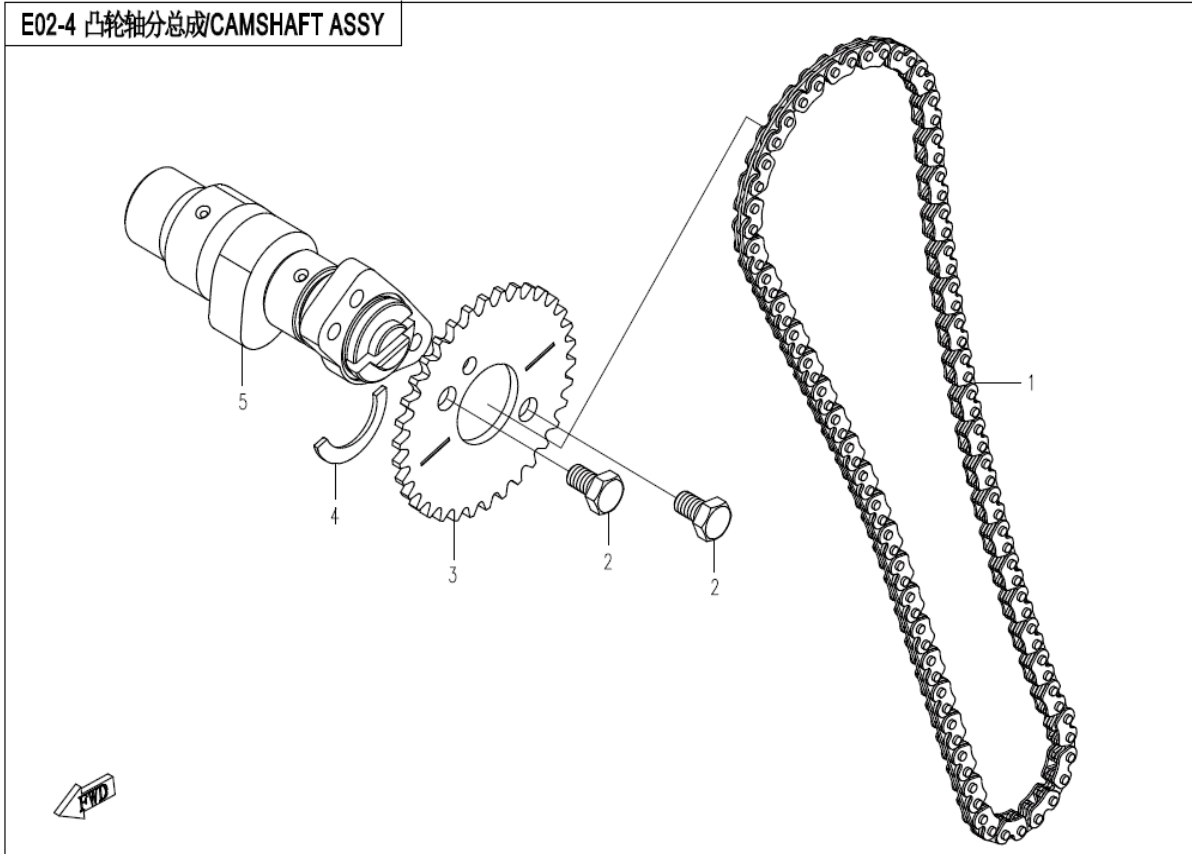
E02-3 气缸分总成/CYLINDER BODY ASSY



E02-3 CYLINDER BODY ASSY.

ITEM NO.	PARTS NUMBER	PARTS NAME(EN)	QTY	SPECIFICATION
01	0C10-023004-10000	CYLINDER BODY GASKET	1	
02	0KIB-023100-0B201	CYLINDER BODY ASSY	1	
03	0A70-023001-0G30	GASKET,TENSIONER	1	MUSTARD GREEN
04	0C10-023200-1B200	TENSIONER ASSY	1	
05	0010-023010-0010	BOLT M6x20	2	GALVANIZED TRIVALENT CHROMIUM
06	0180-023007-00001	TENSIONER PLATE BOLT M8x39.5	1	GALVANIZED TRIVALENT CHROMIUM
07	0010-021016	WASHER 8	1	8
08	0A70-023300	TENSIONER PLATE ASSY	1	
09	0A70-023400	CHAIN GUIDE	1	
10	0C10-011007	DOWEL PIN	2	Dia11x16

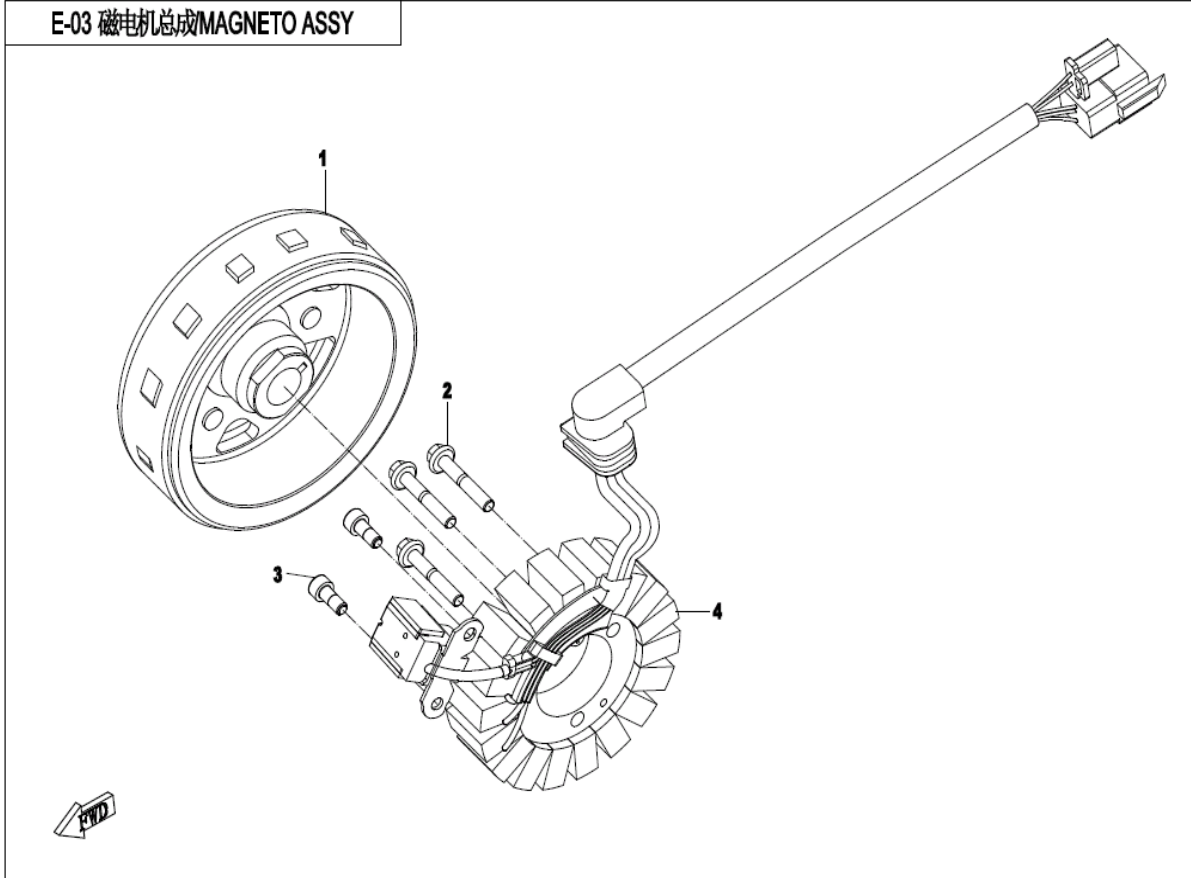
E02-4 凸轮轴分总成/CAMSHAFT ASSY



E02-4 CAMSHAFT ASSY.

ITEM NO.	PARTS NUMBER	PARTS NAME(EN)	QTY	SPECIFICATION
01	0A70-024100	TIMING CHAIN	1	
02	30004-060010150	BOLT M6x10	2	M6x10
03	0A70-024002	TIMING SPROCKET	1	
04	0180-024004	CAMSHAFT SPACER	1	
05	0A70-024001	CAMSHAFT	1	

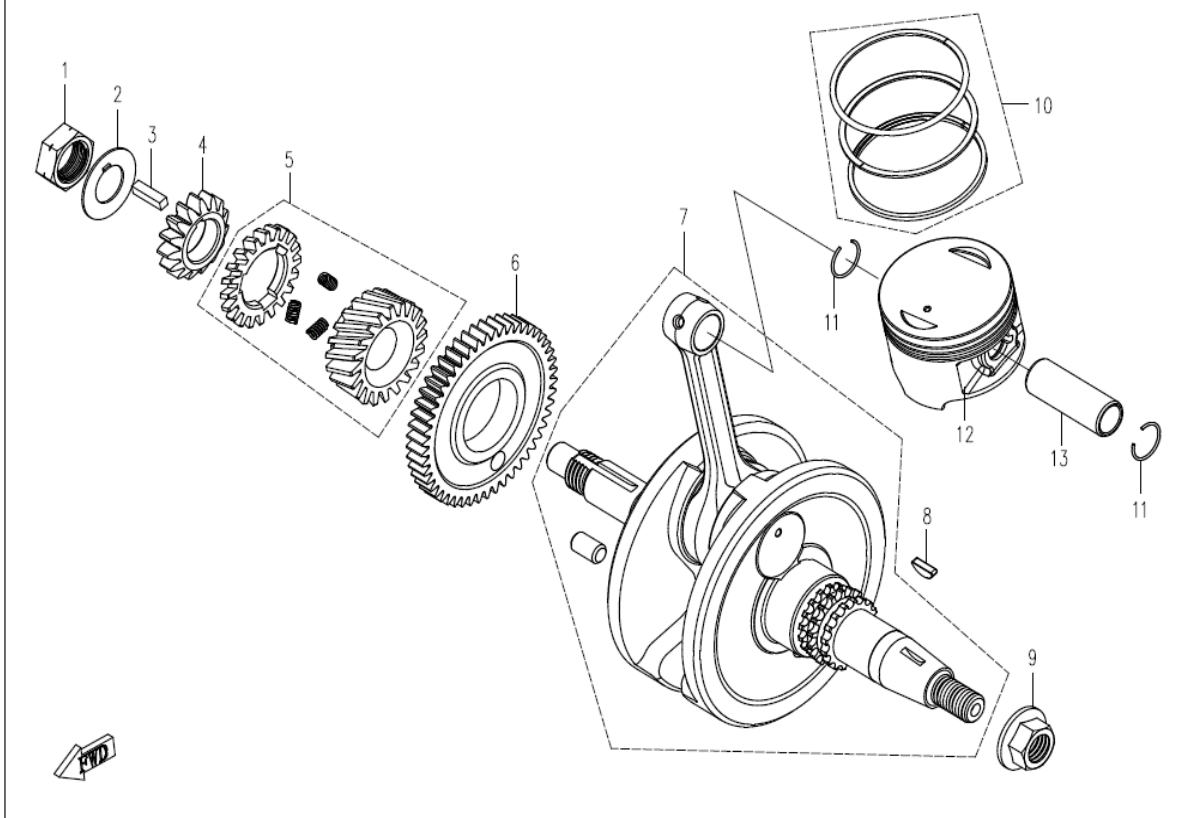
E-03 磁电机总成 MAGNETO ASSY



E03 MAGNETO ASSY.

ITEM NO.	PARTS NUMBER	PARTS NAME(EN)	QTY	SPECIFICATION
01	0KIV-031000-4001	MAGNETO ROTOR ASSY	1	
02	0A70-014004-00002	BOLT M5x25	3	M5x25
03	30102-050012810	SCREW	2	M5x12@COLOR ZINC TRIVALENT CHROMIUM
04	0KIV-032000-4000	MAGNETO STATOR ASSY	1	

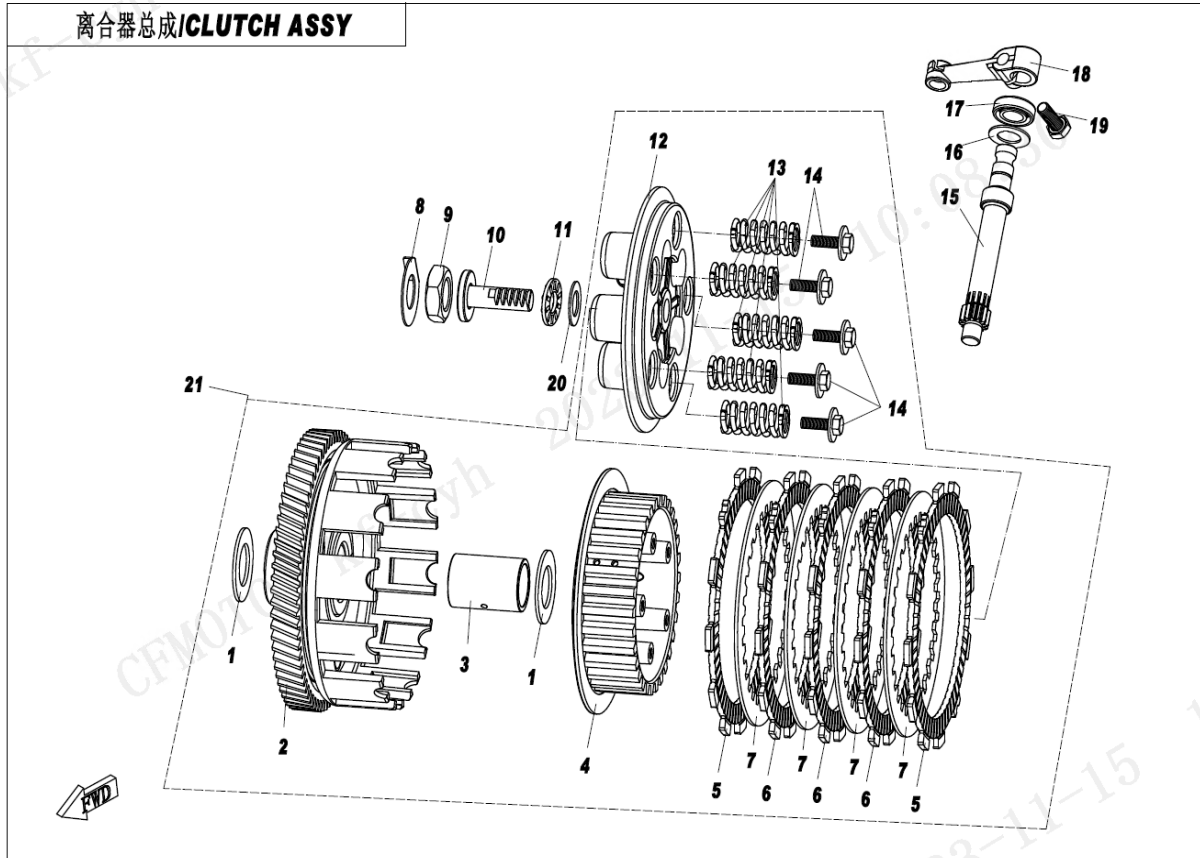
E04 曲柄连杆活塞总成/CRANKSHAFT & PISTON



E04 CRANKSHAFT /CONNECTING ROD & PISTON ASSY.

ITEM NO.	PARTS NUMBER	PARTS NAME(EN)	QTY	SPECIFICATION
01	0A70-040007	NUT M16	1	M16
02	0A70-040008-00001	LOCK CIRCLIP	1	
03	3121100	GUIDE BLOCK B4x4x16	1	B4x4x16
04	0A70-040009	DRIVE GEAR, OIL PUMP	1	
05	0A80-043000	PRIMARY DRIVEN GEAR ASSY	1	
06	0A80-040003	GEAR, CRANKSHAFT BALANCER	1	
07	0KIB-041000	CRANKSHAFT CONNECTING ROD SUB ASSY	1	
08	0A70-040011	WOODRUFF KEY	1	
09	0110-052008-00002	NUT	1	
10	0A70-0400A0	PISTON RING ASSY	1	
11	0C10-040003	CIRCLIP, PISTON PIN	2	
12	0C10-040001	PISTON	1	
13	0C10-040002	PISTON PIN	1	

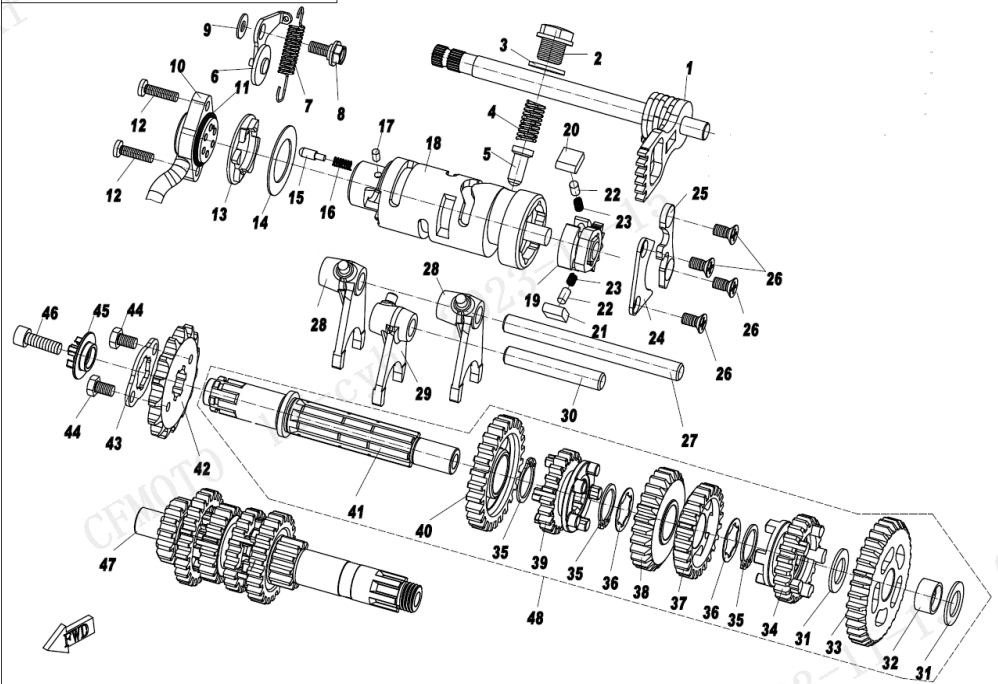
离合器总成/CLUTCH ASSY



E05 CLUTCH ASSY.

ITEM NO.	PARTS NUMBER	PARTS NAME(EN)	QTY	SPECIFICATION
01	0A70-050002	WASHER	2	20x34.5x2
02	0A80-051100-00001	PRIMARY DRIVEN GEAR ASSY	1	
03	0A80-050001	BUSHING, PRIMARY DRIVEN GEAR	1	
04	0A70-051201-00001	CLUTCH HUB	1	
05	0KIV-050010-4000	CLUTCH DRIVE DISC 1	2	
06	0KIV-050020-4000	CLUTCH DRIVE DISC 2	3	
07	0A70-051202-00001	DRIVEN DISC, CLUTCH	4	
08	0A70-050004	LOCK WASHER	1	
09	0A70-050005	NUT	1	M16X1.5
10	0A80-050006	CLUTCH ROD	1	
11	0A80-050030	THRUST BEARING AND BRACKET ASSY	1	
12	0A80-050008-00001	CLUTCH PRESSURE PLATE	1	
13	0A70-051204-00001	CLUTCH SPRING	5	
14	30112-050016410	SCREW ASSY	5	M5x16@COLOR ZINC TRIVALENT CHROMIUM
15	0A80-050009-00001	CLUTCH LEVER	1	
16	0A70-052002	WASHER	1	10x20x1
17	0110-080005	OIL SEAL	1	10x20x5
18	0A80-050005	SEPARATE SWING ARM	1	
19	0010-090005-0010	BOLT M6x16	1	GALVANIZED TRIVALENT CHROMIUM
20	0A80-050004	WASHER	1	
21	0KIV-051000-4000	CLUTCH SUB ASSY	1	

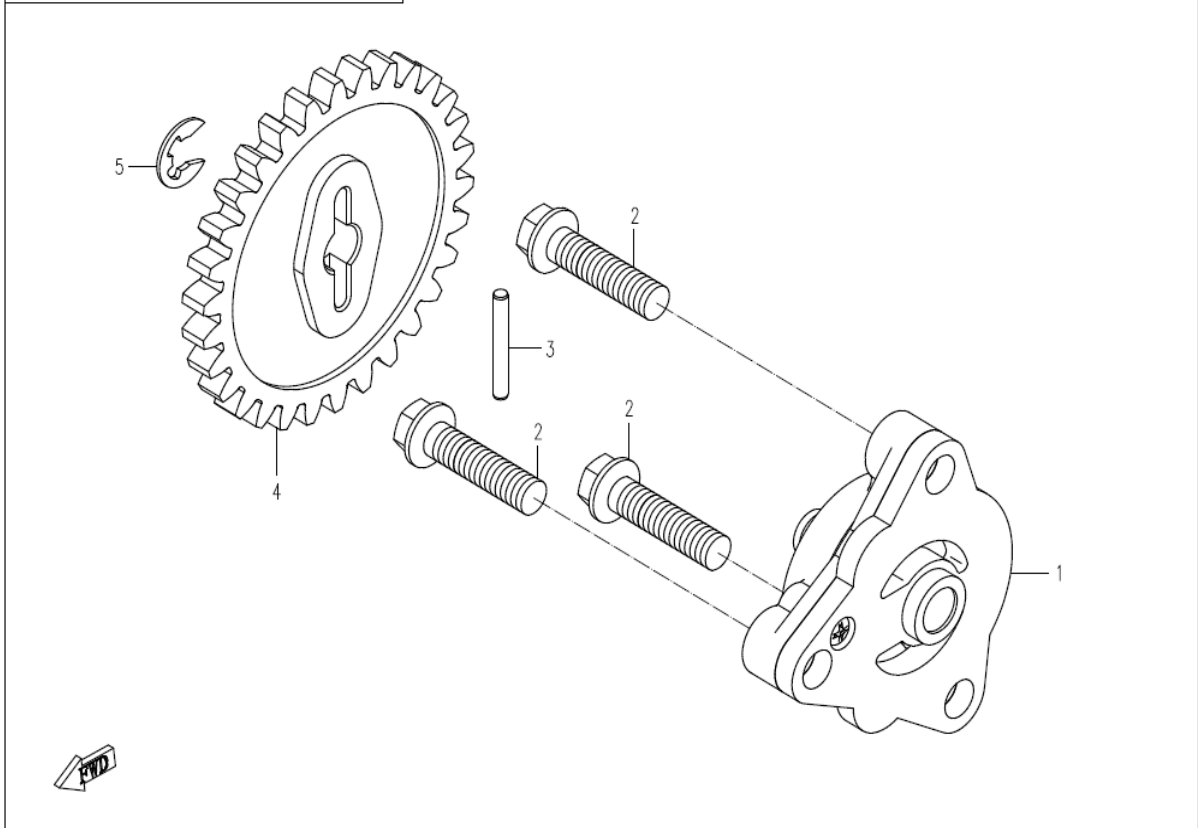
换挡变速总成/TRANSMISSION ASSY



E06 TRANSMISSION ASSY.

ITEM NO.	PARTS NUMBER	PARTS NAME(EN)	QTY	SPECIFICATION
01	0A80-063000-00002	GEARSHIFT LEVER ASSY	1	
02	0180-021008-00001	BOLT	1	M14x1.25x12
03	0180-011006	GASKET 14	1	14
04	0A70-060012	SPRING, NEUTRAL	1	
05	0A70-060013	NEUTRAL STOPPER	1	
06	0A70-065100	CAM STOPPER	1	
07	0A70-065003	GEARSHIFT POSITION SPRING	1	
08	0A70-065001-00001	GEARSHIFT CAM BOLT	1	
09	0A70-065002	WASHER 6	1	6
10	ODMV-066000-2701	GEAR CONTACTOR	1	
11	0A70-060014	O-RING	1	26.2x2.4
12	30116-050020410	SCREW ASSY	2	M5x20@COLOR ZINC TRIVALENT CHROMIUM
13	0A70-064002	CAM STOPPER	1	
14	0A70-064001	WASHER	1	25x40x1
15	0A70-064004	GEAR SWITCH CONTACTOR	1	
16	0A70-064003	SPRING	1	
17	30901-0400600	PIN	1	φ4x6
18	0A80-064200-00001	GEARSHIFT CAM HUB ASSY	1	
19	0A70-064100	DRIVEN GEAR, CAM	1	
20	0A70-064005	RH PAWL	1	
21	0A70-064008	LH PAWL	1	
22	0A70-064006	PIN, GEARSHIFT	2	
23	0A70-064007	SPRING	2	
24	0A70-060006	PAWL PLATE, GEARSHIFT	1	
25	0A70-060005	CAM GUIDE	1	
26	30107-060012410	SCREW	4	M6x12@COLOR ZINC-PLATED
27	0A70-060003-00001	FORK SHAFT	1	
28	0A70-060004	SHIFT FORK	2	
29	0A70-060002	FORK, MIDDLE	1	
30	0A70-060001-00001	FORK SHAFT	1	
31	0A80-062009	WASHER	2	15x25x1.5
32	0A80-062008	BUSHING	1	
33	0A80-062001	COUNTERSHAFT 1ND GEAR	1	33
34	0A80-062005	COUNTERSHAFT 5ND GEAR	1	22
35	0A80-061008	CIRCLIP	3	
36	0A80-062007	WASHER	2	
37	0A80-062004	COUNTERSHAFT 4ND GEAR	1	24
38	0A80-062003	COUNTERSHAFT 3ND GEAR	1	26
39	0A80-062006	COUNTERSHAFT 6ND GEAR	1	21
40	0A80-062020	COUNTERSHAFT 2ND GEAR ASSY	1	26
41	OKIA-062070-00001	COUNTERSHAFT ASSY	1	
42	0A80-060001	DRIVE SPROCKET	1	
43	0A80-060002	SPROKET GUARD	1	
44	30004-060010850	BOLT M6x10	2	M6x10
45	OKIA-060007	SPEED SENSOR DISC	1	
46	0110-090009-00002	INNER HEX SCREW	1	
46	0010-080008	DOWEL PIN	1	8X14
47	0A80-061000-00002	MAIN SHAFT ASSY	1	
48	OKIA-062000-00001	COUNTERSHAFT ASSY	1	

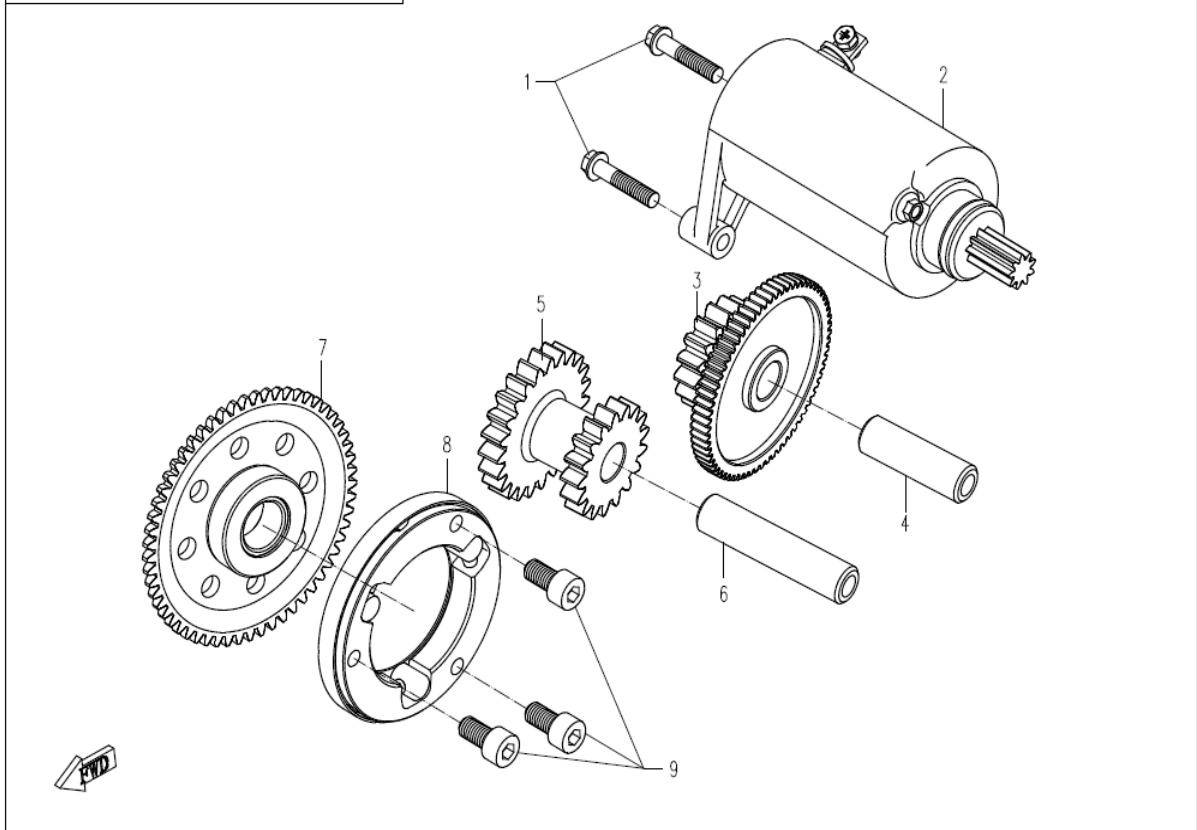
E07 机油泵总成/OIL PUMP



E07 OIL PUMP ASSY.

ITEM NO.	PARTS NUMBER	PARTS NAME(EN)	QTY	SPECIFICATION
01	0A70-071000	OIL PUMP SUB ASSY	1	
02	0010-021017-0010	BOLT M6x25	3	GALVANIZED TRIVALENT CHROMIUM
03	30406-00201	ROLLER NEEDLE	1	P2.5x22
04	0A70-070001	DRIVEN GEAR, OIL PUMP	1	
05	30802-00605	SPLIT WASHER	1	6

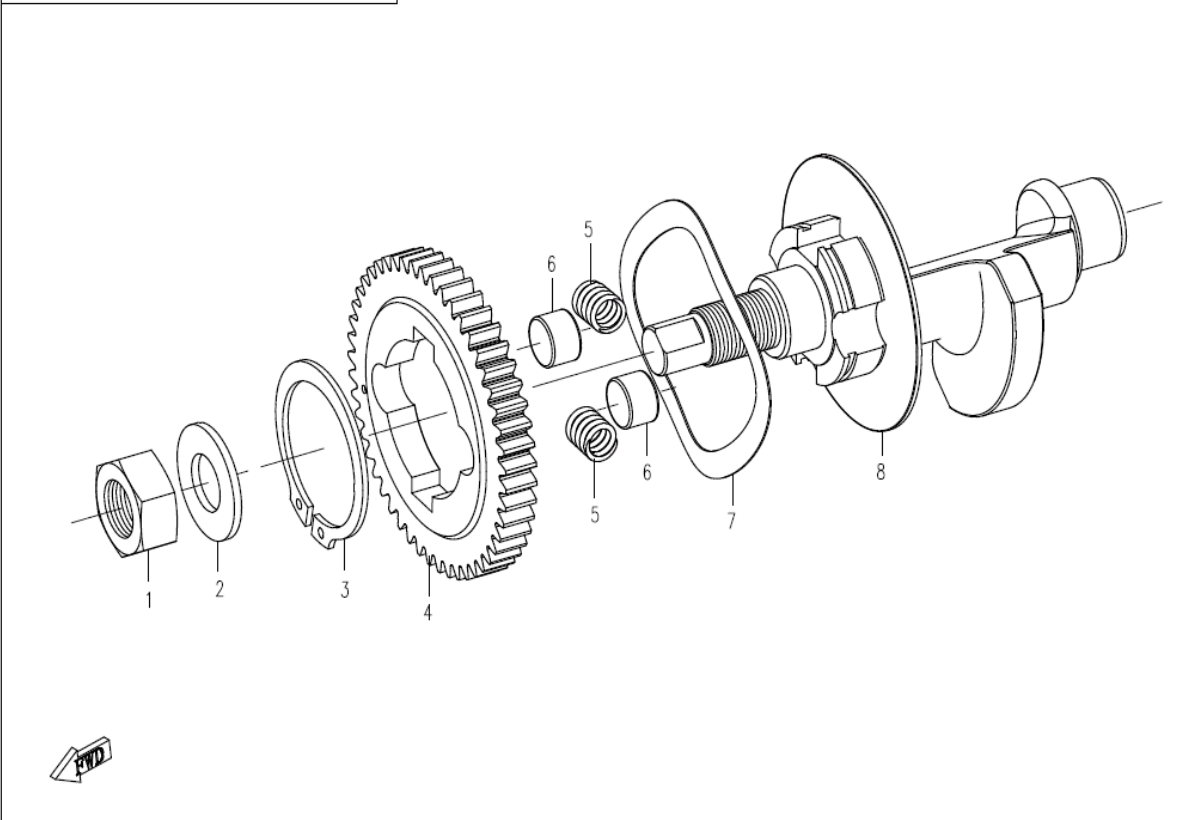
**E09 启动系统总成 STARTING SYSTEM**



**E09 ELECTRIC STARTING ASSY.**

ITEM NO.	PARTS NUMBER	PARTS NAME(EN)	QTY	SPECIFICATION
01	0010-021017-0010	BOLT M6x25	2	GALVANIZED TRIVALENT CHROMIUM
02	0A80-093000	STARTING MOTOR	1	
03	0A80-090001-00001	DUAL GEAR 1	1	
04	0A80-090003	SHAFT, DUAL GEAR I	1	
05	0A80-090002-00001	DUAL GEAR 2	1	
06	0A70-091002-00001	SHAFT, DUAL GEAR	1	
07	0A8A-092000	GEAR, STARTING MOTOR	1	
08	0A8A-094000	CLUTCH	1	
09	0A8A-090004-00002	SCREW	3	M8x16

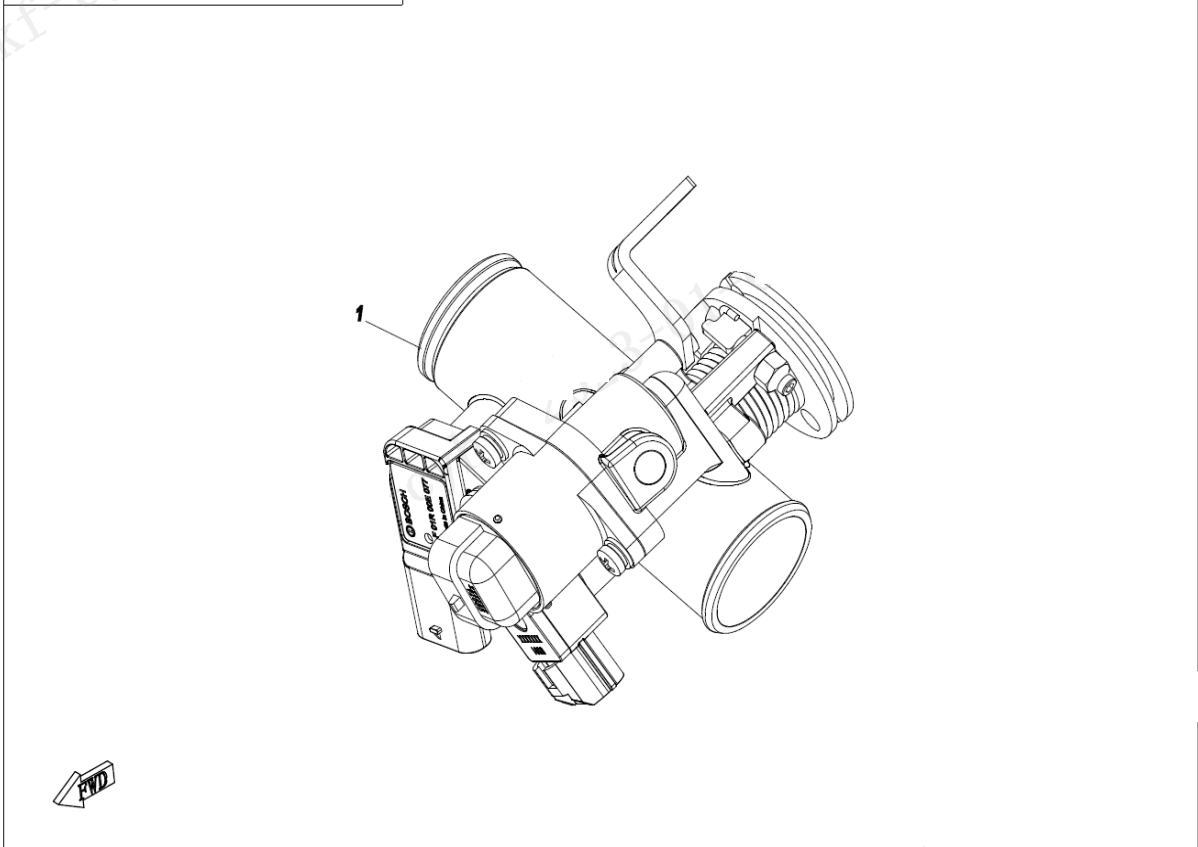
E16 平衡轴总成 BALANCE SHAFT



E16 BALANCE SHAFT ASSY.

ITEM NO.	PARTS NUMBER	PARTS NAME(EN)	QTY	SPECIFICATION
01	0110-051007-00002	NUT M14x1.5	1	
02	0010-051004	WASHER	1	14x28x2
03	0A80-160005	CIRCLIP38	1	38
04	0A80-160001	GEAR, BALANCE SHAFT	1	
05	0A80-160004	BALANCER GEAR SPRING	2	
06	0A80-160003	DAMPER, BALANCE SHAFT GEAR	2	
07	0A80-160002	WASHER	1	
08	0KI2-161000	BALANCE SHAFT ASSY	1	

节气门体总成 **THROTTLE BODY**



**E17 THROTTLE BODY ASSY.**

<b>ITEM NO.</b>	<b>PARTS NUMBER</b>	<b>PARTS NAME(EN)</b>	<b>QTY</b>	<b>SPECIFICATION</b>
01	0KIV-173000-4001	THROTTLE BODY	1	