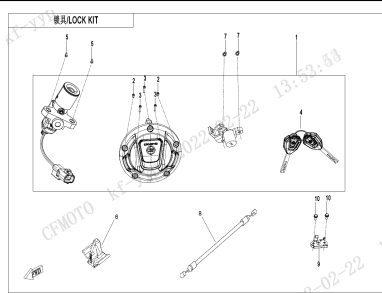
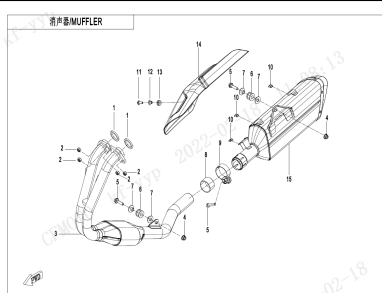
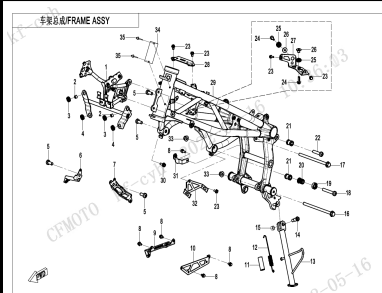
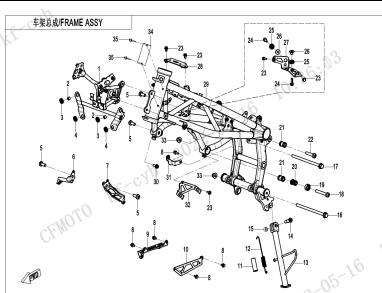
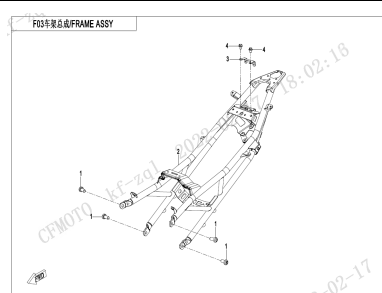
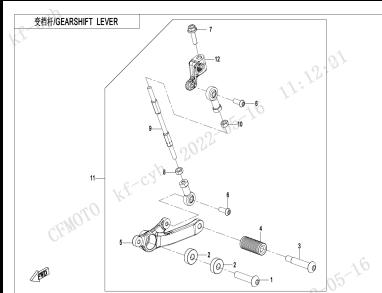
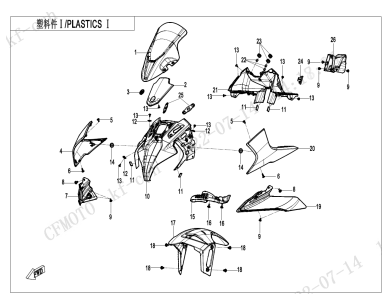
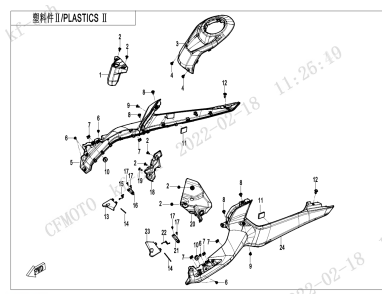
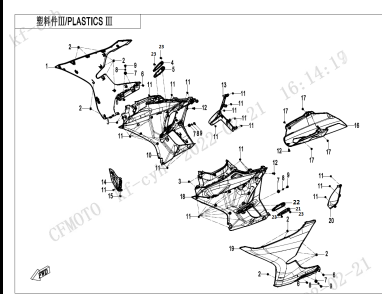
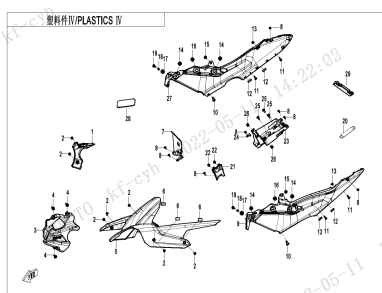
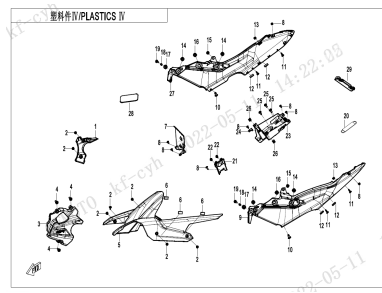
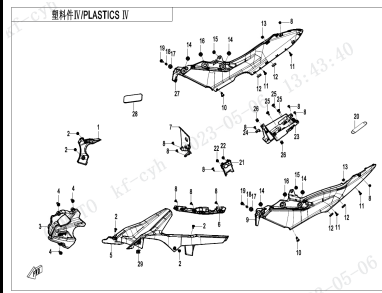
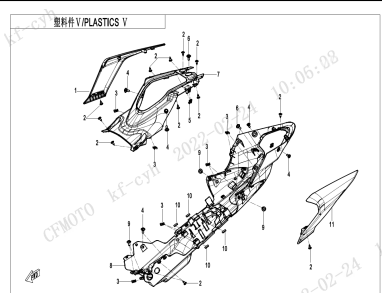
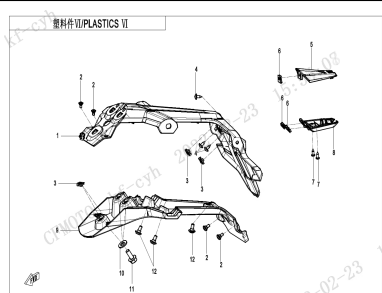
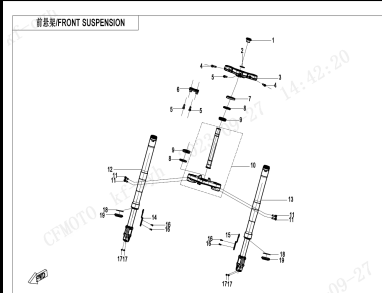
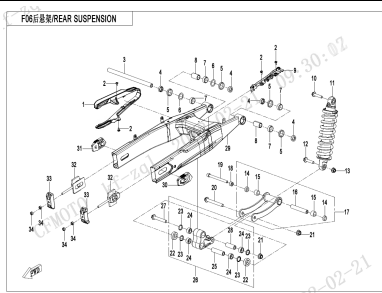
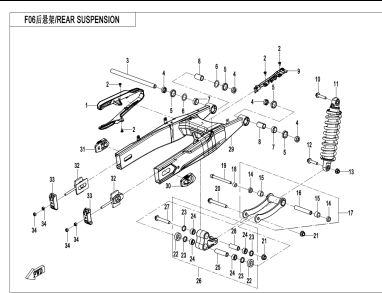
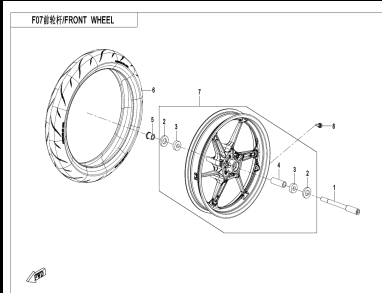
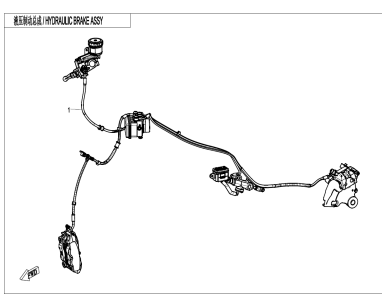
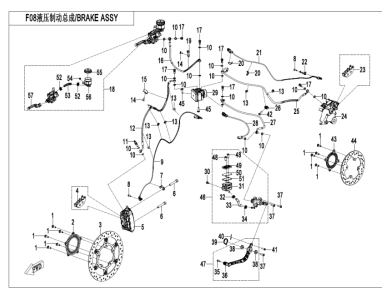
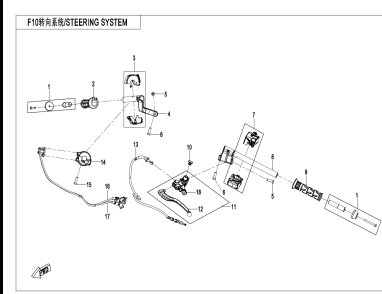
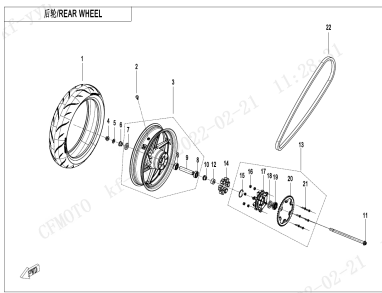
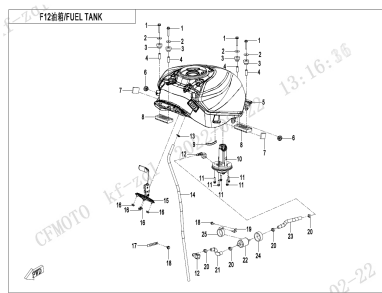
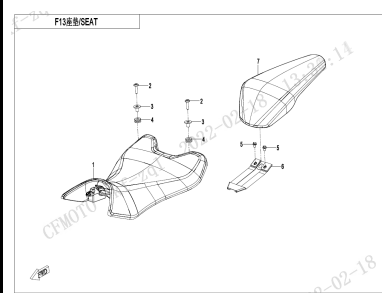


CONTENTS—FRAME GROUP

<p>F01</p> <p style="text-align: center;">LOCK KIT</p> 	<p>F02</p> <p style="text-align: center;">MUFFLER</p> 	<p>F03-1-V1</p> <p style="text-align: center;">FRAME-1</p> 
<p>F03-1-V2</p> <p style="text-align: center;">FRAME-1</p> 	<p>F03-2</p> <p style="text-align: center;">FRAME-2</p> 	<p>F03-3</p> <p style="text-align: center;">GEARSHIFT LEVER</p> 
<p>F04-1</p> <p style="text-align: center;">PLASTICS 1</p> 	<p>F04-2</p> <p style="text-align: center;">PLASTICS 2</p> 	<p>F04-3</p> <p style="text-align: center;">PLASTICS 3</p> 
<p>F04-4-V1</p> <p style="text-align: center;">PLASTICS 4</p> 	<p>F04-4-V2</p> <p style="text-align: center;">PLASTICS 4</p> 	<p>F04-4-V3</p> <p style="text-align: center;">PLASTICS 4</p> 

CONTENTS—FRAME GROUP

<p>F04-5</p> <p style="text-align: center;">PLASTICS 5</p> <p style="text-align: center;">塑料件 V/PLASTICS V</p> 	<p>F04-6</p> <p style="text-align: center;">PLASTICS 6</p> <p style="text-align: center;">塑料件 VI/PLASTICS VI</p> 	<p>F05</p> <p style="text-align: center;">FRONT SUSPENSION</p> <p style="text-align: center;">前悬架/FRONT SUSPENSION</p> 
<p>F06-V1</p> <p style="text-align: center;">REAR SUSPENSION</p> <p style="text-align: center;">后悬架/REAR SUSPENSION</p> 	<p>F06-V2</p> <p style="text-align: center;">REAR SUSPENSION</p> <p style="text-align: center;">后悬架/REAR SUSPENSION</p> 	<p>F07</p> <p style="text-align: center;">FRONT WHEEL</p> <p style="text-align: center;">前轮轴/FRONT WHEEL</p> 
<p>F08-A-1</p> <p style="text-align: center;">BRAKE SYSTEM (BOSCH ABS)</p> <p style="text-align: center;">博世ABS/ABS ASSEMBLY</p> 	<p>F08-A-2</p> <p style="text-align: center;">BRAKE SYSTEM (BOSCH ABS)</p> <p style="text-align: center;">博世ABS/ABS ASSEMBLY</p> 	<p>F10</p> <p style="text-align: center;">STEERING SYSTEM</p> <p style="text-align: center;">前叉/STEERING SYSTEM</p> 
<p>F11</p> <p style="text-align: center;">REAR WHEEL</p> <p style="text-align: center;">后轮/REAR WHEEL</p> 	<p>F12</p> <p style="text-align: center;">FUEL TANK</p> <p style="text-align: center;">油箱/FUEL TANK</p> 	<p>F13-A</p> <p style="text-align: center;">SEAT (STANDARD)</p> <p style="text-align: center;">座椅/SEAT</p> 

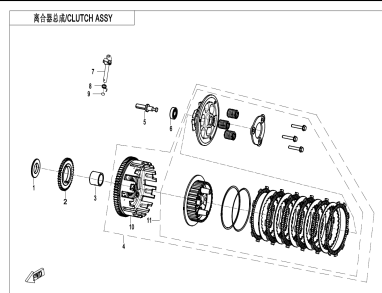
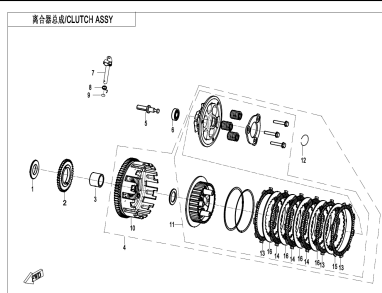
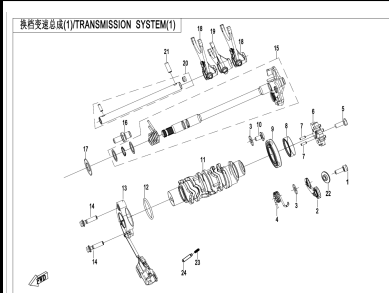
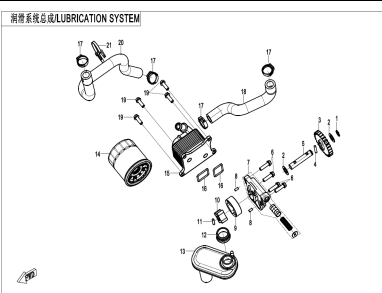
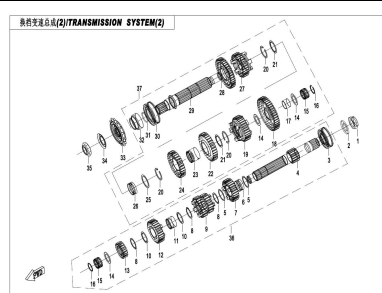
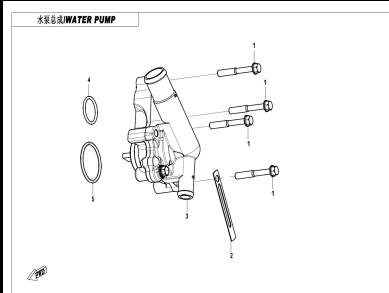
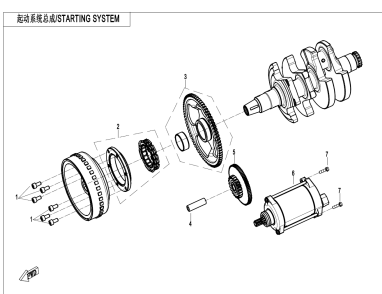
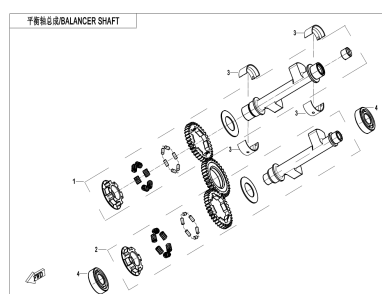
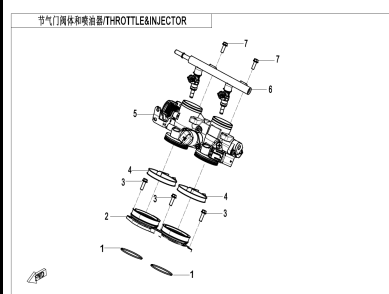
CONTENTS—FRAME GROUP

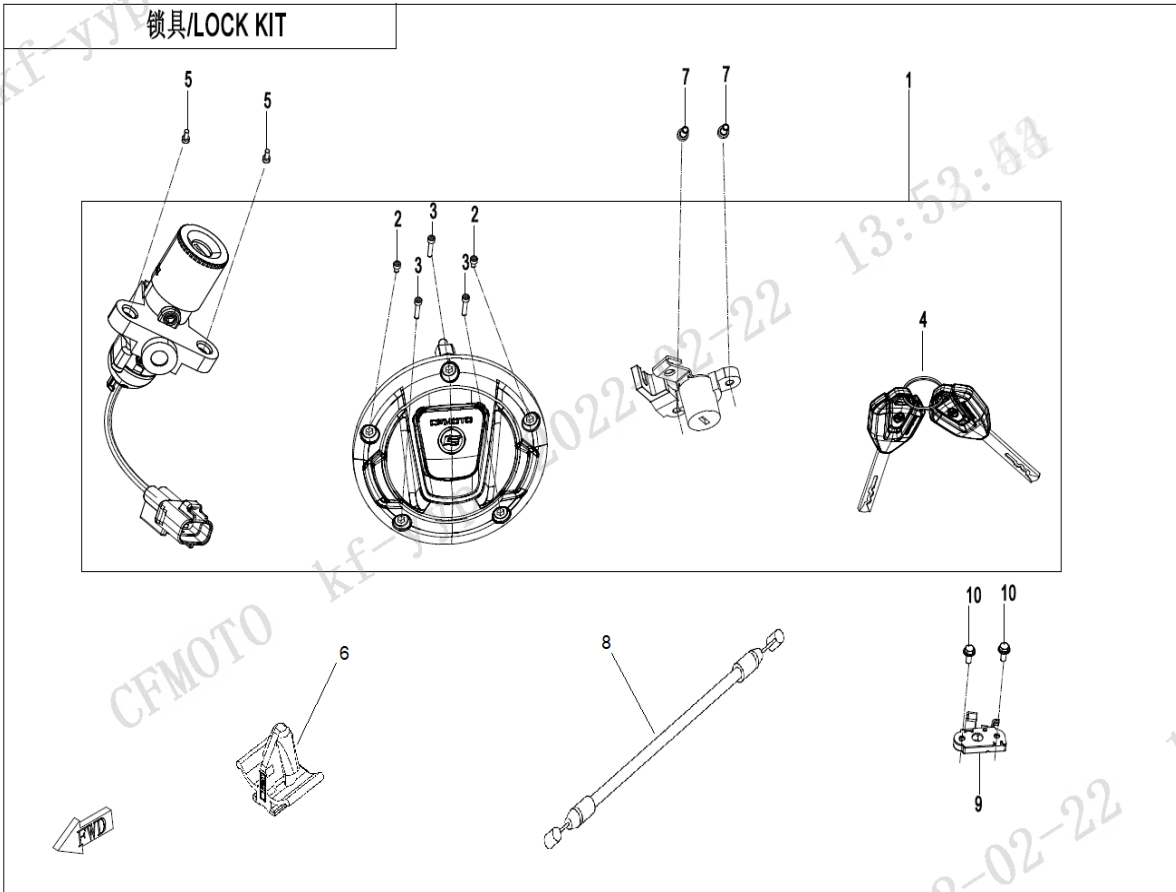
<p>F14</p> <p style="text-align: center;">FOOTREST</p>	<p>F15-A</p> <p style="text-align: center;">ELECTRIC SYSTEM</p>	<p>F15-B</p> <p style="text-align: center;">ELECTRIC SYSTEM</p>
<p>F16</p> <p style="text-align: center;">LIGHTS</p>	<p>F17</p> <p style="text-align: center;">DASHBOARD</p>	<p>F18</p> <p style="text-align: center;">COOLING SYSTEM</p>
<p>F19-1</p> <p style="text-align: center;">DECAL(NEBULA BLACK- IRAN)</p>	<p>F19-A</p> <p style="text-align: center;">DECAL KITS (NEBULA BLACK)</p>	<p>F19-B DECAL KITS (ZIRCON BLACK)</p> <p style="text-align: center;">DECAL KITS (ZIRCON BLACK)</p>
<p>F20</p> <p style="text-align: center;">TOOLS</p>	<p>F36</p> <p style="text-align: center;">FUEL VAPORIZATION SYSTEM</p>	<p>F41</p> <p style="text-align: center;">AIR FILTER ASSY</p>

CONTENTS—ENGINE GROUP

<p>E01-1</p> <p style="text-align: center;">UPPER & LOWER CRANKCASE ASSY</p> <p style="font-size: small;">上曲轴箱总成/下曲轴箱总成/UPPER & LOWER CRANKCASE</p>	<p>E01-2</p> <p style="text-align: center;">LEFT & RIGHT SIDE COVER</p> <p style="font-size: small;">左/右曲轴箱分总成/LEFT/RIGHT SIDE COVER</p>	<p>E01-3</p> <p style="text-align: center;">OIL PAN</p> <p style="font-size: small;">油底壳分总成/OIL PAN</p>
<p>E02-1</p> <p style="text-align: center;">CYLINDER HEAD COVER</p> <p style="font-size: small;">气缸盖罩分总成/CYLINDER HEAD COVER</p>	<p>E02-2</p> <p style="text-align: center;">CYLINDER HEAD (1)</p> <p style="font-size: small;">气缸盖分总成(1)/CYLINDER HEAD(1)</p>	<p>E02-3</p> <p style="text-align: center;">CYLINDER HEAD (2)</p> <p style="font-size: small;">气缸盖分总成(2)/CYLINDER HEAD(2)</p>
<p>E02-4</p> <p style="text-align: center;">CYLINDER HEAD (3)</p> <p style="font-size: small;">气缸盖分总成(3)/CYLINDER HEAD(3)</p>	<p>E02-5</p> <p style="text-align: center;">CAMSHAFT</p> <p style="font-size: small;">配气传动分总成/CAMSHAFT</p>	<p>E03</p> <p style="text-align: center;">MAGNETO</p> <p style="font-size: small;">磁电机总成/MAGNETO</p>
<p>E04-1</p> <p style="text-align: center;">CRANKSHAFT & CONNECTING ROD</p> <p style="font-size: small;">曲轴连杆分总成(1)/CRANKSHAFT & CONNECTING ROD(1)</p>	<p>E04-2</p> <p style="text-align: center;">CRANKSHAFT & CONNECTING ROD (2)</p> <p style="font-size: small;">曲轴连杆分总成(2)/CRANKSHAFT & CONNECTING ROD(2)</p>	<p>E05</p> <p style="text-align: center;">CLUTCH</p> <p style="font-size: small;">离合键分总成/CLUTCH ASSY</p>

CONTENTS—ENGINE GROUP

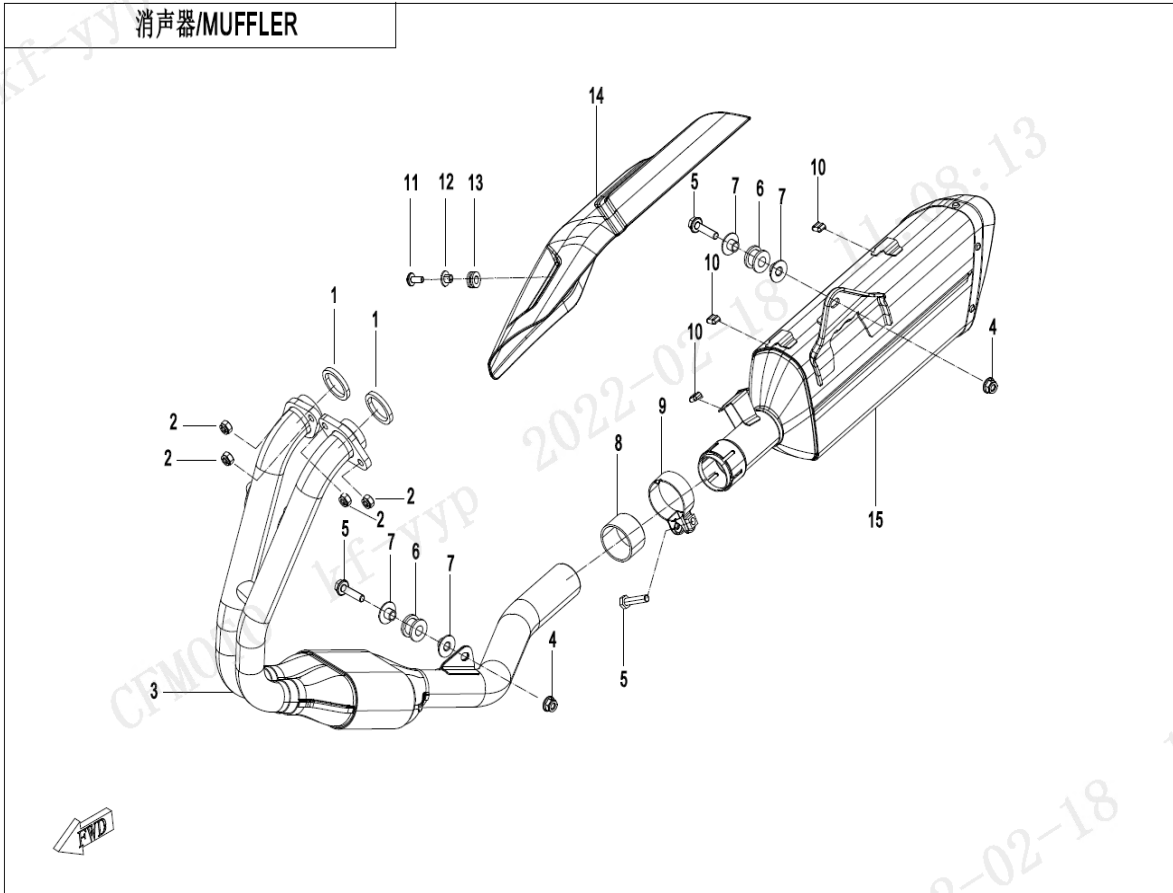
E05-A CLUTCH (FCC)	E05-B CLUTCH(CHONGQIN CHANGXIN)	E06-1-V2 TRANSMISSION SYSTEM (1)
离合器总成/CLUTCH ASSY 	离合器总成/CLUTCH ASSY 	换挡变速箱总成(1)/TRANSMISSION SYSTEM(1) 
E07 LUBRICATION SYSTEM	E06-2 TRANSMISSION SYSTEM (2)	E08 WATER PUMP
润滑系统总成/LUBRICATION SYSTEM 	换挡变速箱总成(2)/TRANSMISSION SYSTEM(2) 	水泵总成/WATER PUMP 
E09 STARTING SYSTEM	E16 BALANCER SHAFT	E17 THROTTLE&INJECTOR
启动系统总成/STARTING SYSTEM 	平衡轴总成/BALANCER SHAFT 	节气门机构和喷油器/THROTTLE&INJECTOR 



F01 LOCK KIT

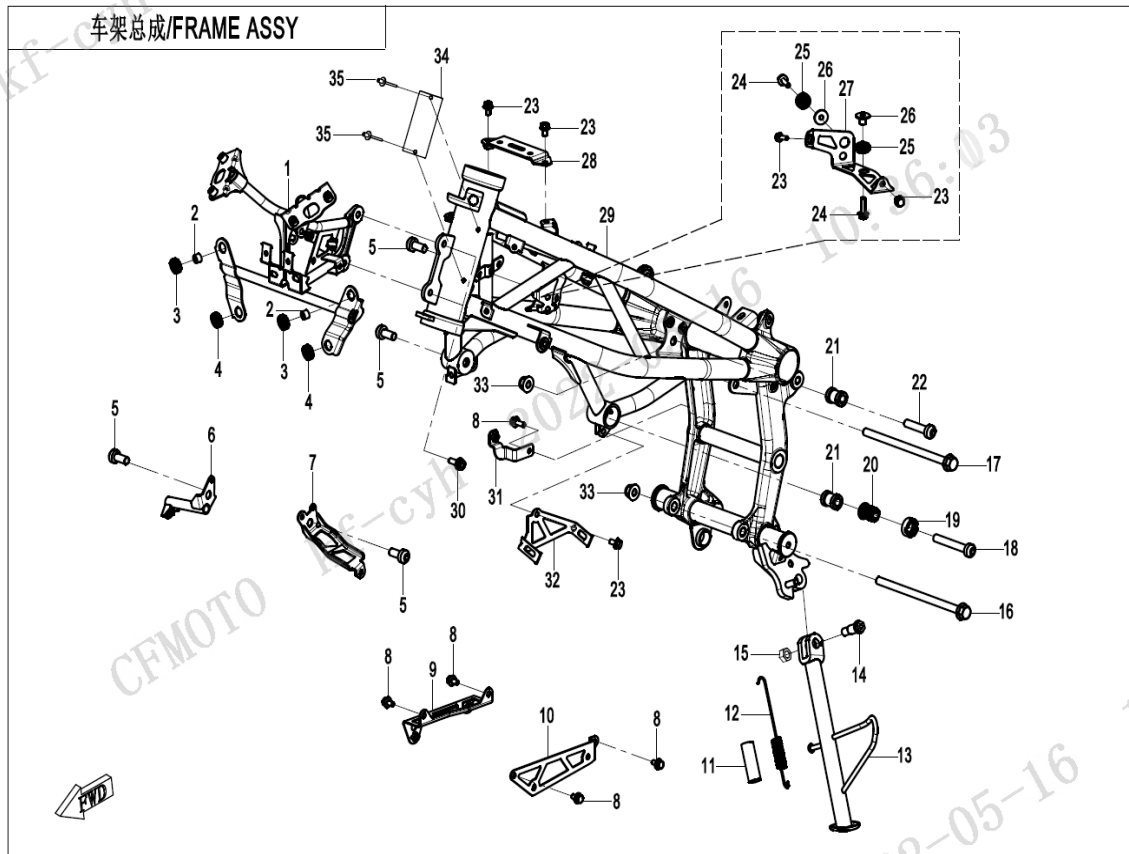
Item No.	Parts Number	Parts Name(EN)	Qty	Specification
1	6AQV-011000-1002	LOCK KIT	1	
2	30102-050008900	INNER HEX SCREW M5x8	2	M5x8
3	30102-050025900	INNER HEX SCREW M5x25	3	M5x25
4	6KMV-011020-B001	KEY	2	
5	6KJ0-010001	BOLT	2	
6	CFCV-CAC002-2000-M1	CLIP	1	
7	30102-050012810	SCREW M5x12	2	M5x12
8	6AQV-011012-1000	SEAT CABLE	1	
9	6GU#-010320-6000	LOCK SEAT, SEAT	1	
10	30006-060022810	BOLT	2	@

消声器/MUFFLER



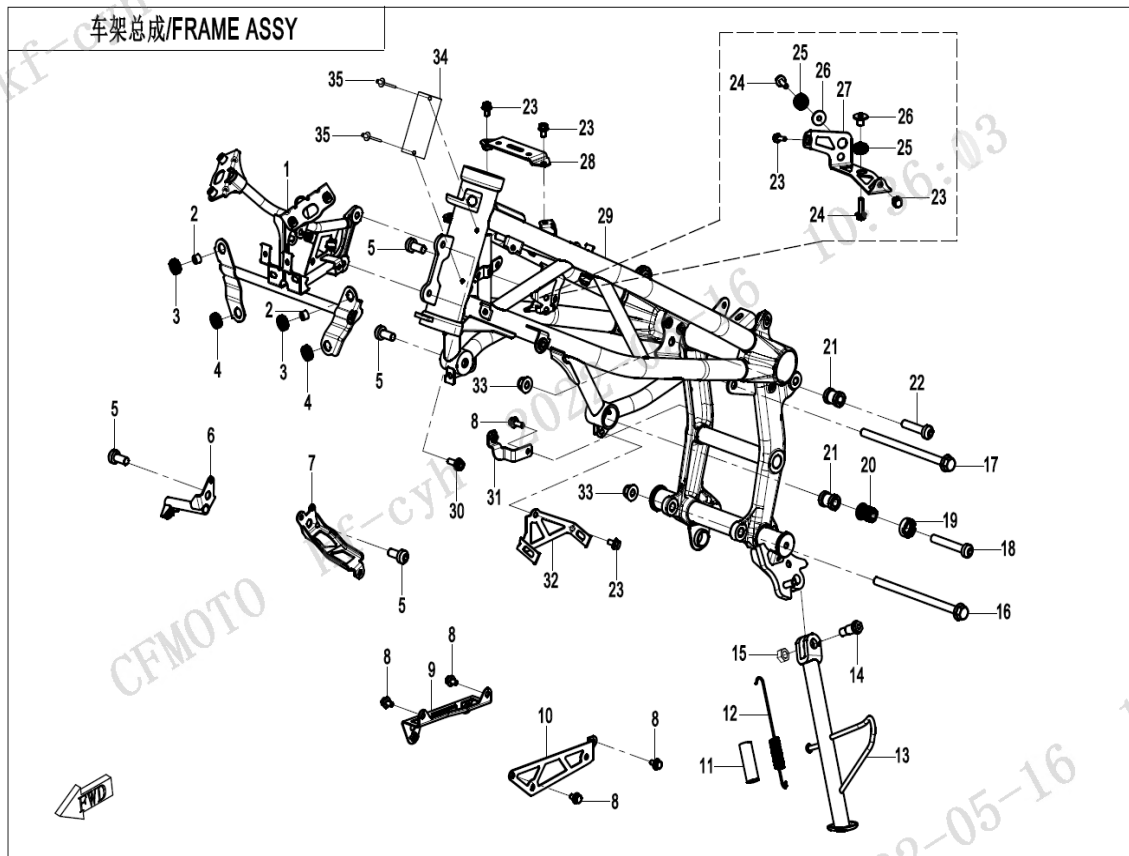
F02 MUFFLER

Item No.	Parts Number	Parts Name(EN)	Qty	Specification
1	6090-020010	GASKET, EXHAUST PORT	2	
2	6L30-020005	LOCK NUT	4	
3	6AQV-021100-1001	EXHAUST PIPE	1	
4	30204-080810	NUT M8	2	M8
5	30006-080035810	BOLT M8x35	3	M8x35
6	A000-020004	DAMPER, MUFFLER	2	
7	A000-020005	BUSHING	4	
8	6AQV-021400-1000	SEAL SLEEVE, GRAPHITE	1	
9	6AQV-021500-1000	CLAMP KIT	1	
10	6GU#-021005-6000	GUARD RUBBER SLEEVE	3	
11	6WWV-046902-5000	INNER HEX SCREW M6x20	1	
12	6AQV-021002-1000	BUSHING	1	
13	6AQV-021003-1000	RUBBER BUSHING, GUARD	1	
14	6AQV-021001-1000	GUARD, MUFFLER	1	
15	6AQV-021200-1002	MUFFLER BODY ASSY	1	



F03-1-V1 FRAME-1

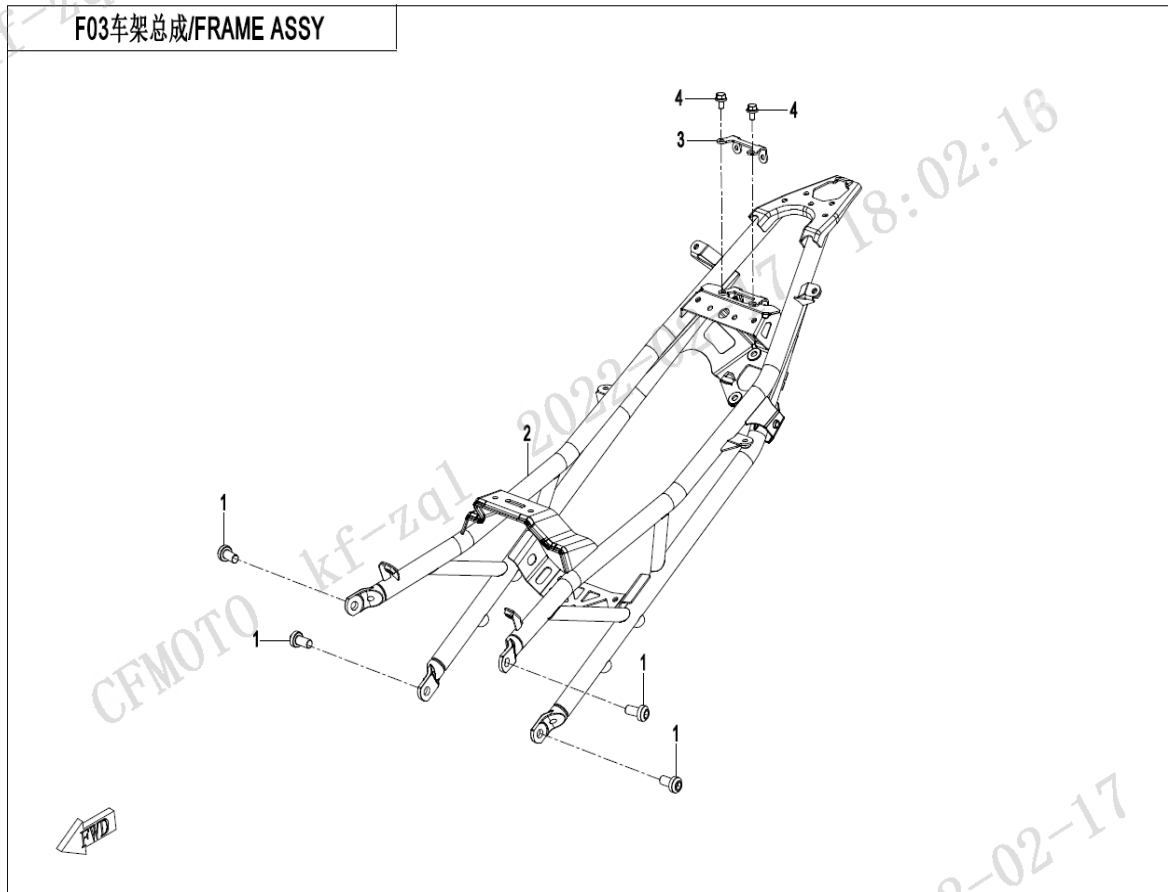
Item No.	Parts Number	Parts Name(EN)	Qty	Specification
01	6AQV-030400-1003	BRACKET, HEADLIGHT	1	
02	6090-040303	BUSHING	2	
03	6090-040302	RUBBER DAMPER	2	
04	9010-160101	RUBBER MAT, HEADLIGHT	2	
05	6L30-030092	BOLT M10x22	4	M10x22
06	6AQV-030030-1000	RH GUARD	1	
07	6AQV-030008-1000	BRACKET, LH GUARD	1	
08	30006-060010810	BOLT M6x10	5	GB5789 M6x10 TRIVALENT CHROMIUM 8.8
09	6AQV-030005-1000	LH BRACKET, LOWER GUARD	1	
10	6AQV-030006-1000	RH BRACKET, LOWER GUARD	1	
11	A000-030004	SPRING COLLAR, SIDE STAND	1	
12	A000-030210	SPRING, SIDE STAND	1	
13	6AQV-030600-1001-0BP00	SIDE STAND	1	MAUD SPIRIT BLACK
14	6080-030004	BOLT, SIDE STAND	1	
15	30204-080810	NUT M8	1	M8
16	30001-102170110	BOLT M10x1.25x170	1	M10x1.25x170
17	30001-102150110	BOLT M10x1.25x150	1	M10x1.25x150
18	6AQV-030093-1000	INNER HEX SCREW	1	
19	6NT1-000292	NUT M18	1	M18
20	6AQV-030092-1000	ADJUSTING SCREW, ENGINE	1	
21	6AQV-030004-1000	BUSHING, ENGINE	2	
22	6WWW-030011-5000	INNER HEX SCREW M10x45	1	
23	30006-060012810	BOLT M6x12	5	M6x12
24	30006-060016810	BOLT M6x16	2	M6x16
25	6WWW-030019-5000	RUBBER BUSHING	2	
26	9060-180029	RUBBER CUSHION TUBE, RADIATOR	2	
27	6AQV-030010-1000	BRACKET, ABS	1	
28	6AQV-030040-1000	FRONT BRACKET, FUEL TANK	1	
29	6AQV-031000-1003-10-0BP00	MAIN FRAME ASSY	1	MAUD SPIRIT BLACK
29	6AQV-031000-1002-11-0BP00	MAIN FRAME ASSY	1	MAUD SPIRIT BLACK
30	30006-080020810	BOLT M8x20	2	M8x20
31	6AQV-030007-1001	BRACKET, BRAKE FLUID RESERVOIR	1	
32	6AQV-030003-1000	ADAPTER BRACKET, CANSITER	1	
33	30204-102810	NUT M10x1.25	2	M10x1.25
34	6KJC-190012-8000	VEHICLE PLATE	1	
35	30902-0420820	BLIND RIVET	2	4.2x8



F03-1-V2 FRAME-1

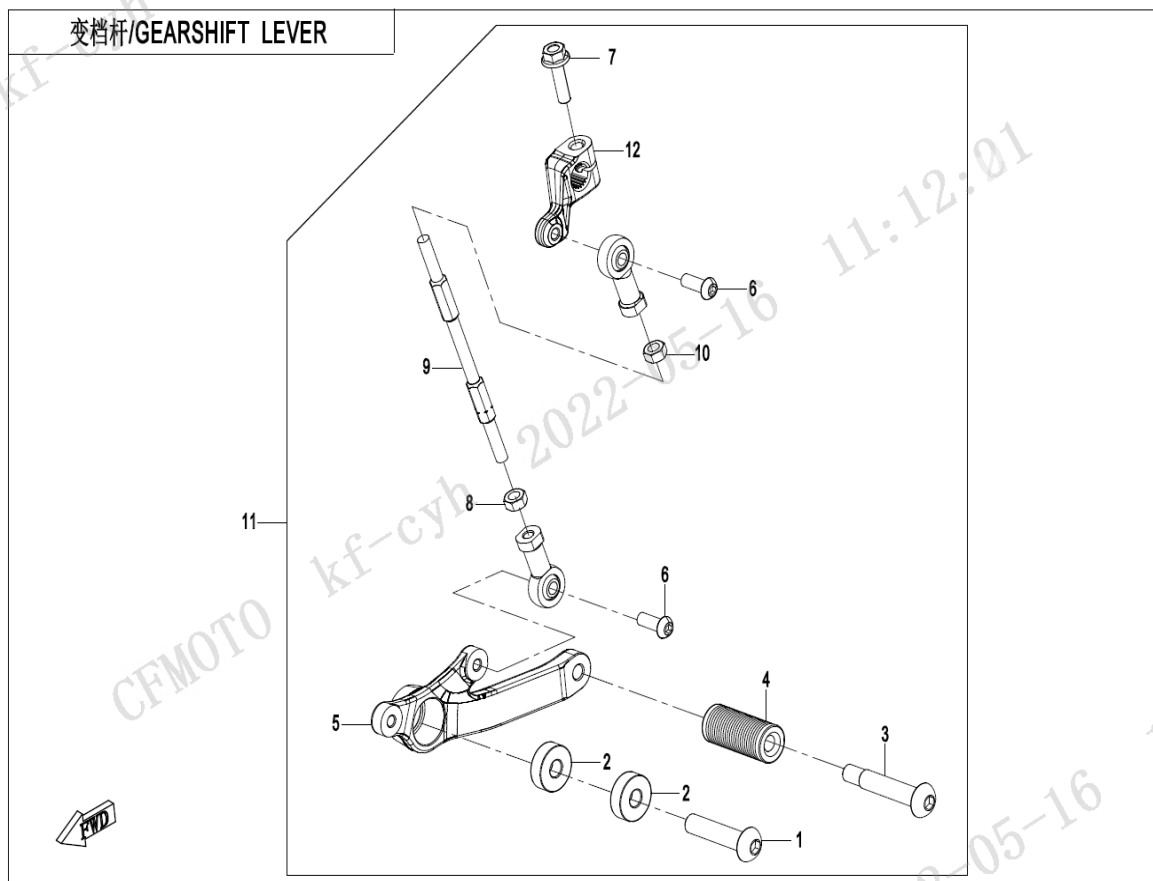
Item No.	Parts Number	Parts Name(EN)	Qty	Specification
01	6AQV-030400-1003	BRACKET, HEADLIGHT	1	
02	6090-040303	BUSHING	2	
03	6090-040302	RUBBER DAMPER	2	
04	9010-160101	RUBBER MAT, HEADLIGHT	2	
05	6L30-030092	BOLT M10x22	4	M10x22
06	6AQV-030030-1000	RH GUARD	1	
07	6AQV-030008-1000	BRACKET, LH GUARD	1	
08	30006-060010810	BOLT M6x10	5	GB5789 M6x10 TRIVALENT CHROMIUM 8.8
09	6AQV-030005-1000	LH BRACKET, LOWER GUARD	1	
10	6AQV-030006-1000	RH BRACKET, LOWER GUARD	1	
11	A000-030004	SPRING COLLAR, SIDE STAND	1	
12	A000-030210	SPRING, SIDE STAND	1	
13	6AQV-030600-1001-0BP00	SIDE STAND	1	MAUD SPIRIT BLACK
14	6080-030004	BOLT, SIDE STAND	1	
15	30204-080810	NUT M8	1	M8
16	30001-102170110	BOLT M10x1.25x170	1	M10x1.25x170
17	30001-102150110	BOLT M10x1.25x150	1	M10x1.25x150
18	6AQV-030093-1000	INNER HEX SCREW	1	
19	6NT1-000292	NUT M18	1	M18
20	6AQV-030092-1000	ADJUSTING SCREW, ENGINE	1	
21	6AQV-030004-1000	BUSHING, ENGINE	2	
22	6WWW-030011-5000	INNER HEX SCREW M10x45	1	
23	30006-060012810	BOLT M6x12	5	M6x12
24	30006-060016810	BOLT M6x16	2	M6x16
25	6WWW-030019-5000	RUBBER BUSHING	2	
26	9060-180029	RUBBER CUSHION TUBE, RADIATOR	2	
27	6AQV-030010-1000	BRACKET, ABS	1	
28	6AQV-030040-1000	FRONT BRACKET, FUEL TANK	1	
29	6AQV-031000-1005-10-0BP00	FRONT FRAME ASSY	1	MAUD SPIRIT BLACK
29	6AQV-031000-1004-10-0BP00	MAIN FRAME ASSY	1	MAUD SPIRIT BLACK
30	30006-080020810	BOLT M8x20	2	M8x20
31	6AQV-030007-1001	BRACKET, BRAKE FLUID RESERVOIR	1	
32	6AQV-030003-1000	ADAPTER BRACKET, CANSITER	1	
33	30204-102810	NUT M10x1.25	2	M10x1.25
34	6KJC-190012-8000	VEHICLE PLATE	1	
35	30902-0420820	BLIND RIVET	2	4.2x8

F03车架总成/FRAME ASSY



F03-2 FRAME-2

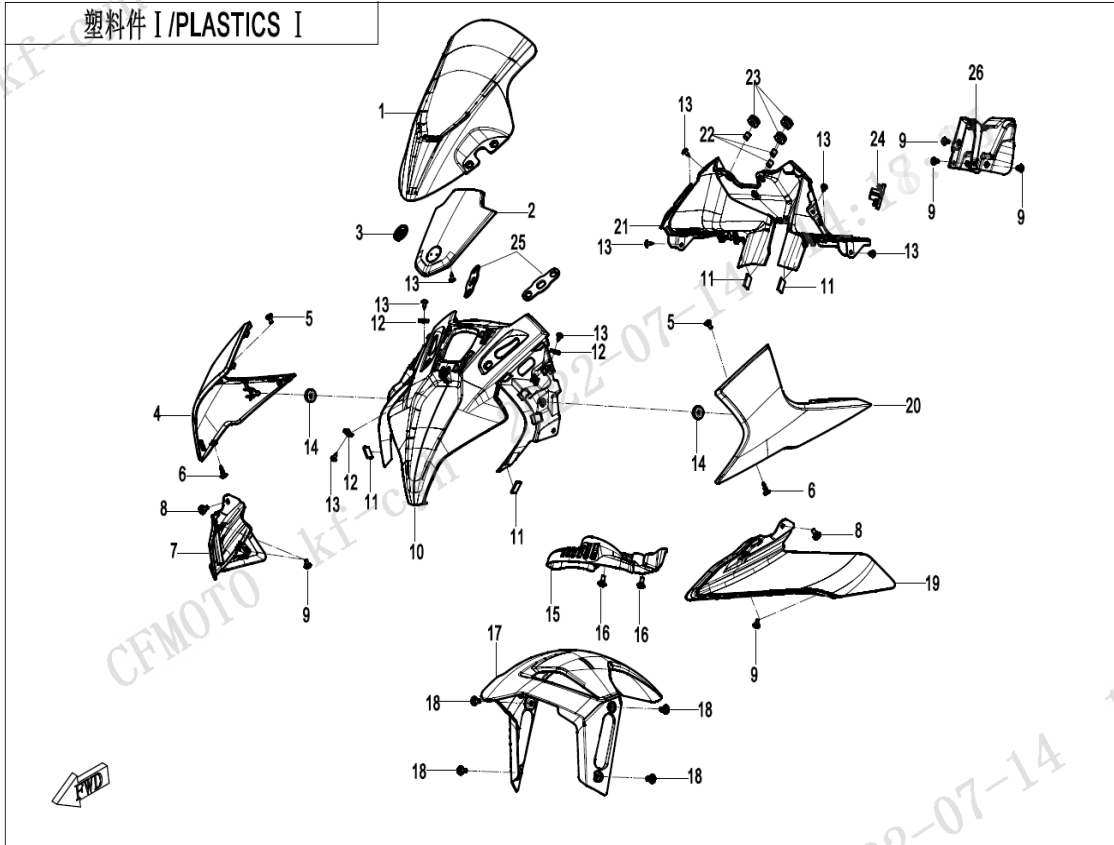
Item No.	Parts Number	Parts Name(EN)	Qty	Specification
01	6GU#-030007-6000	MOUNTING BOLT, VICE FRAME	4	
02	6AQV-032000-1002-0BP00	SUB FRAME ASSY	1	MAUD SPIRIT BLACK
02	6AQV-032000-1003-0BP00	REAR FRAME ASSY	1	
03	6AQV-030017-1000	BRACKET, ROLL-OVER SENSOR	1	
4	30006-050020810	BOLT	2	M5x20



F03-3 GEARSHIFT LEVER

Item No.	Parts Number	Parts Name(EN)	Qty	Specification
01	30121-080025160	SCREW M8x25	1	M8x25
02	30400-00880	BEARING 8x22x7	2	8x22x7
03	6NQ#-140104-6002	BOLT, PEDAL	1	
04	6GUV-140101-6000	RUBBER SLEEVE, PEDAL	1	
05	6AQV-141030-1000	SHIFT PEDAL	1	
06	30121-060016700	SCREW M6x16	2	M6x16
07	30006-060022810	BOLT	1	@
08	30200-06087L	NUT M6	1	M6
09	6AQV-141021-1000	MIDDLE CONNECTING ROD	1	
10	30200-060870	NUT	1	
11	6AQV-141000-1001	GEARSHIFT LEVER CONNECTING ASSY	1	
12	6AQV-141010-1000	SHIFT ROCKER ARM	1	

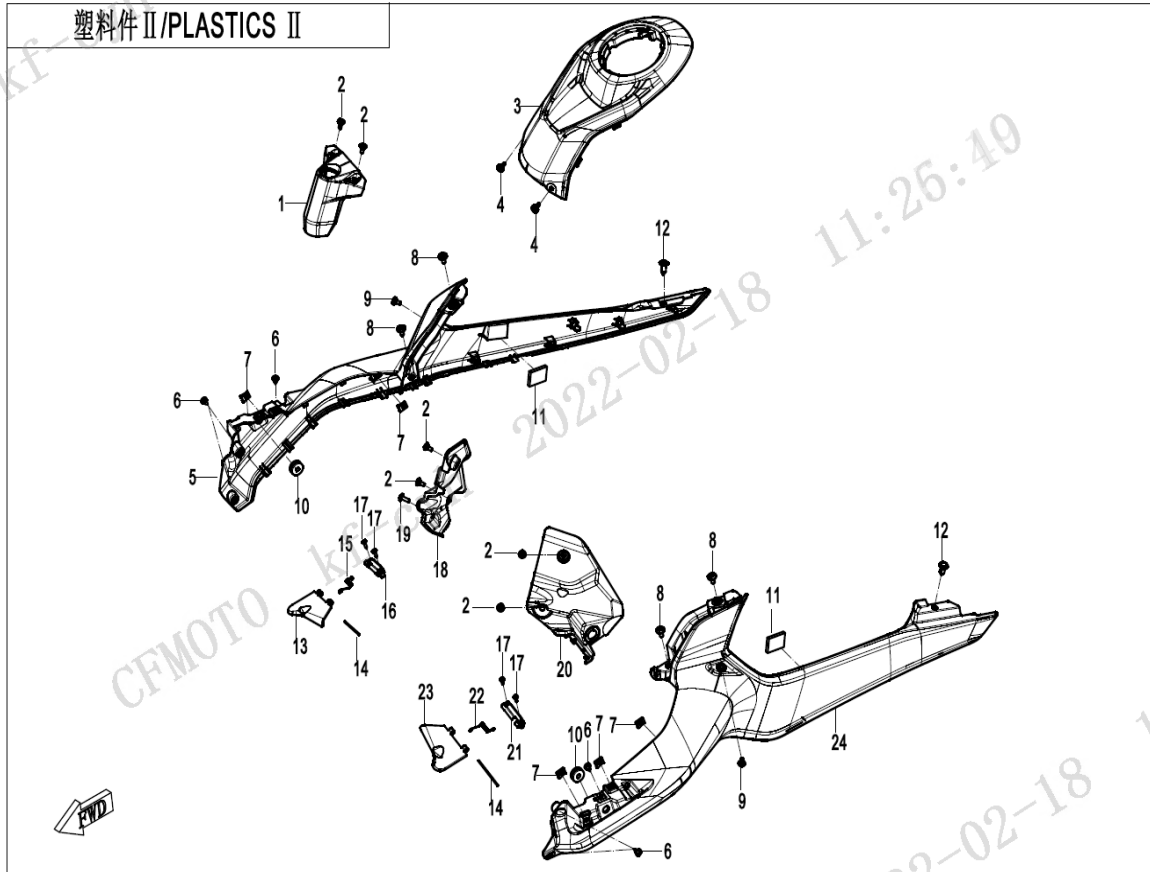
塑料件 I / PLASTICS I



F04-1 PLASTICS 1

Item No.	Parts Number	Parts Name(EN)	Qty	Specification
01	6AQV-040101-1001	WINDSHIELD	1	
02	6AQV-040201-1000	UPPER PRESS COVER, HEADLIGHT	1	
03	6KMV-190001-8500	DECO PLATE, WINDSHIELD	1	
04	6AQV-040206-1000-0HC00	RH GUARD, HEADLIGHT	1	VELOCITY GREY
04	6AQV-040206-1000-0VE00	RH GUARD, HEADLIGHT	1	NEBULA WHITE
05	6WWV-046502-5000	STEPPED SCREW M5	2	
06	8080-041130	PLASTIC SCREW	2	
07	6AQV-040204-1002-0FD00	RH WING	1	DOLPHIN SUMMER BLUE
07	6AQV-040204-1002-0RM00	RH WING	1	MAGMA RED
08	6WWV-047102-5000	INNER HEX SCREW M5x14	2	
09	6WWV-046502-5000	STEPPED SCREW M5	7	
10	6AQV-040202-1001-0BU00	HEADLIGHT PANEL	1	MIST SILVER BLACK
10	6AQV-040202-1001-0D000	HEADLIGHT PANEL	1	ZIRCON BLACK
11	6KM#-160420-8001	SPONGE MAT	6	
12	8080-000002	CLIP NUT ST4.8	3	ST4.8
13	30110-481130010	SELF-TAPPING SCREW ST4.8x13	10	ST4.8x13
14	A000-040302	RUBBER DAMPER	2	
15	6AQV-050004-1000	GUARD, LOWER TRIPLE CLAMP	1	
16	6WWV-046602-5000	INNER HEX STEPPED SCREW M6x14	2	
17	6AQV-050009-1001-0D000	FRONT FENDER	1	ZIRCON BLACK
17	6AQV-050009-1001-0BM00	FRONT FENDER	1	NEBULA BLACK
18	6WWV-046602-5000	INNER HEX STEPPED SCREW M6x14	4	
19	6AQV-040203-1002-0FD00	LH WING	1	DOLPHIN SUMMER BLUE
19	6AQV-040203-1002-0RM00	LH WING	1	MAGMA RED
20	6AQV-040205-1000-0VE00	LH GUARD, HEADLIGHT	1	NEBULA WHITE
20	6AQV-040205-1000-0HC00	LH GUARD, HEADLIGHT	1	VELOCITY GREY
21	6AQV-040301-1001	DASHBOARD	1	
22	6090-040303	BUSHING	3	
23	6090-040302	RUBBER DAMPER	3	
24	6AQV-041117-1002	USB PLUG COVER	1	
25	6AQV-041115-1000	RUBBER GASKET, HEADLIGHT PANEL	2	
26	6AQV-040302-1001	REAR GUARD, DASHBOARD	1	

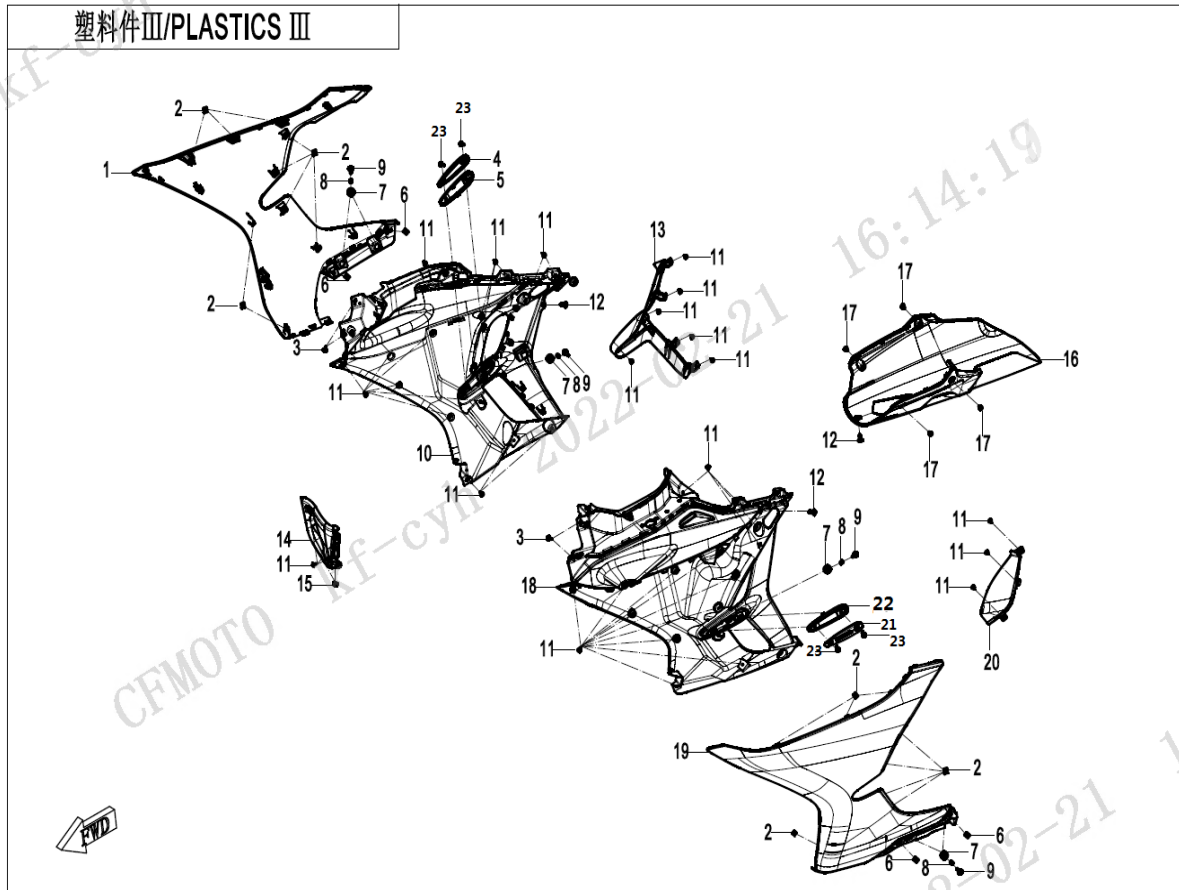
塑料件 II / PLASTICS II



F04-2 PLASTICS 2

Item No.	Parts Number	Parts Name(EN)	Qty	Specification
01	6AQV-041111-1001	IGNITION LOCK GUARD	1	
02	6WWV-046502-5000	STEPPED SCREW M5	6	
03	6AQV-040403-1002	UPPER GUARD, FUEL TANK	1	
04	8080-041130	PLASTIC SCREW	2	
05	6AQV-040402-1001-0D000	RH GUARD, FUEL TANK	1	ZIRCON BLACK
05	6AQV-040402-1001-0BM00	RH GUARD, FUEL TANK	1	NEBULA BLACK
06	30110-481130010	SELF-TAPPING SCREW ST4.8x13	6	ST4.8x13
07	8080-000002	CLIP NUT ST4.8	6	ST4.8
08	6WWV-046701-5000	INNER HEX SCREW M6x12	4	
09	6WWV-046502-5000	STEPPED SCREW M5	2	
10	A000-040302	RUBBER DAMPER	2	
11	6NT1-041510	BUCKLE ASSY	2	
12	9060-040310	PLASTIC CLIPS	2	
13	6AQV-041110-1000	RH FLIP COVER	1	
14	6AQV-041112-1000	SHAFT	2	
15	6AQV-041114-1000	RH SPRING	1	
16	6AQV-041108-1000	RH HINGE	1	
17	30110-350130010	SCREW	4	ST3.5x13
18	6AQV-041106-1001	RH DECO COVER, STEM	1	
19	6WWV-047102-5000	INNER HEX SCREW M5x14	2	
20	6AQV-041105-1001	LH DECO COVER, STEM	1	
21	6AQV-041107-1000	LH HINGE	1	
22	6AQV-041113-1000	LH SPRING	1	
23	6AQV-041109-1000	LH FLIP COVER	1	
24	6AQV-040401-1001-0D000	LH GUARD, FUEL TANK	1	ZIRCON BLACK
24	6AQV-040401-1001-0BM00	LH GUARD, FUEL TANK	1	NEBULA BLACK

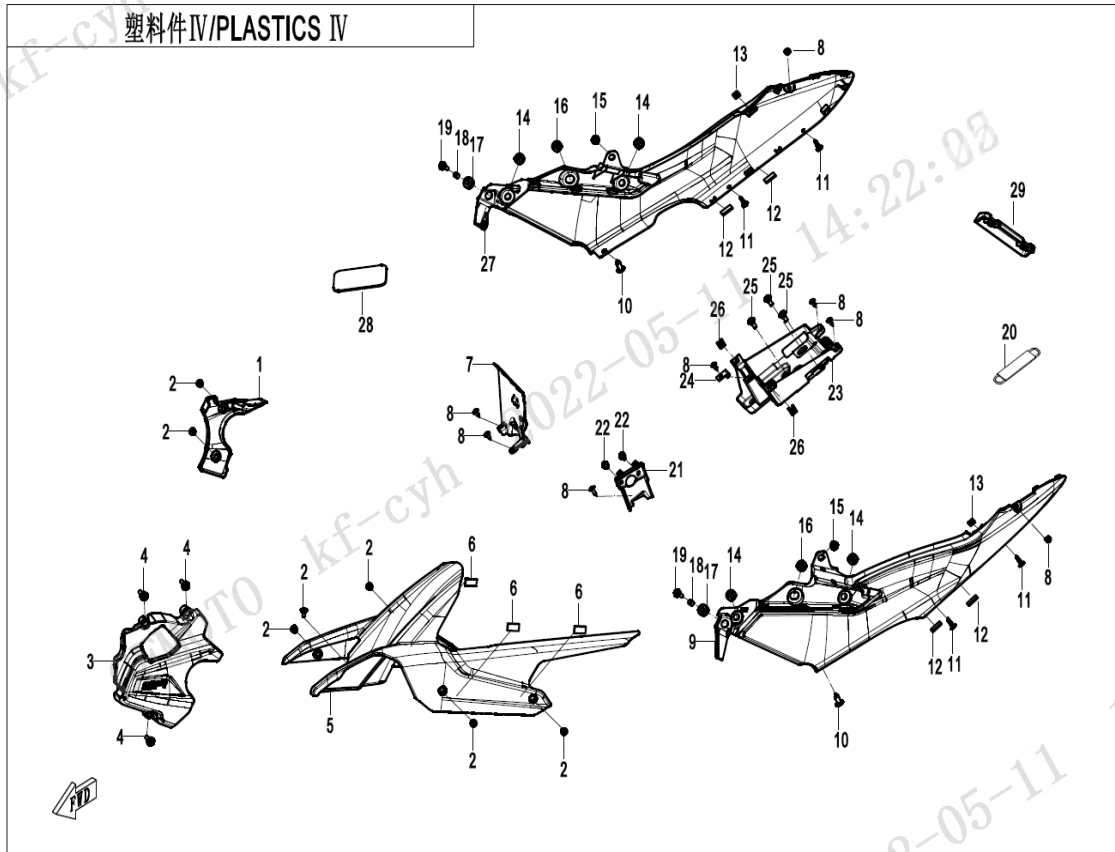
塑料件III/PLASTICS III



F04-3 PLASTICS 3

Item No.	Parts Number	Parts Name(EN)	Qty	Specification
01	6AQV-040504-1002-0VT00	RH PANEL, RADIATOR	1	NEBULA WHITE+NEBULA BLACK
01	6AQV-040504-1002-0DE00	RH PANEL, RADIATOR	1	ZIRCON BLACK+VELOCITY GREY
02	8080-000002	CLIP NUT ST4.8	17	ST4.8
03	6WWWV-046602-5000	INNER HEX STEPPED SCREW M6x14	4	
04	6AQV-040510-1000-0D000	RH DECO COVER, RADIATOR PANEL	1	ZIRCON BLACK
05	6AQV-040518-1000-0FD00	BIG DECO COVER, RH RADIATOR PANEL	1	DOLPHIN SUMMER BLUE
05	6AQV-040518-1000-0RM00	BIG DECO COVER, RH RADIATOR PANEL	1	MAGMA RED
06	6KM#-040081-8000-M1	NUT CLIP M5	4	
07	6090-040302	RUBBER DAMPER	6	
08	6090-040303	BUSHING	6	
09	6WWWV-046902-5000	INNER HEX SCREW M6x20	6	
10	6AQV-040502-1003	RH INNER PANEL, RADIATOR	1	
11	30110-481130070	SELF-TAPPING SCREW	39	
12	9060-040310	PLASTIC CLIPS	3	
13	6AQV-040506-1000-0BU00	RH DEFLECTOR, RADIATOR	1	MIST SILVER BLACK
14	6AQV-040901-1000	FRONT GUARD, ENGINE	1	
15	6KM#-160420-8001	SPONGE MAT	2	
16	6AQV-040902-1002	BASE PLATE, ENGINE	1	
17	6WWWV-046502-5000	STEPPED SCREW M5	4	
18	6AQV-040501-1003	LH INNER PANEL, RADIATOR	1	
19	6AQV-040503-1002-0DE00	LH PANEL, RADIATOR	1	ZIRCON BLACK+VELOCITY GREY
19	6AQV-040503-1002-0VT00	LH PANEL, RADIATOR	1	NEBULA WHITE+NEBULA BLACK
20	6AQV-040505-1000-0BU00	LH DEFLECTOR, RADIATOR	1	MIST SILVER BLACK
21	6AQV-040509-1000-0D000	LH DECO COVER, RADIATOR PANEL	1	ZIRCON BLACK
22	6AQV-040508-1001-0FD00	BIG DECO COVER, LH RADIATOR PANEL	1	DOLPHIN SUMMER BLUE
22	6AQV-040508-1001-0RM00	BIG DECO COVER, LH RADIATOR PANEL	1	MAGMA RED
23	6WWWV-047102-5000	INNER HEX SCREW M5x14	4	

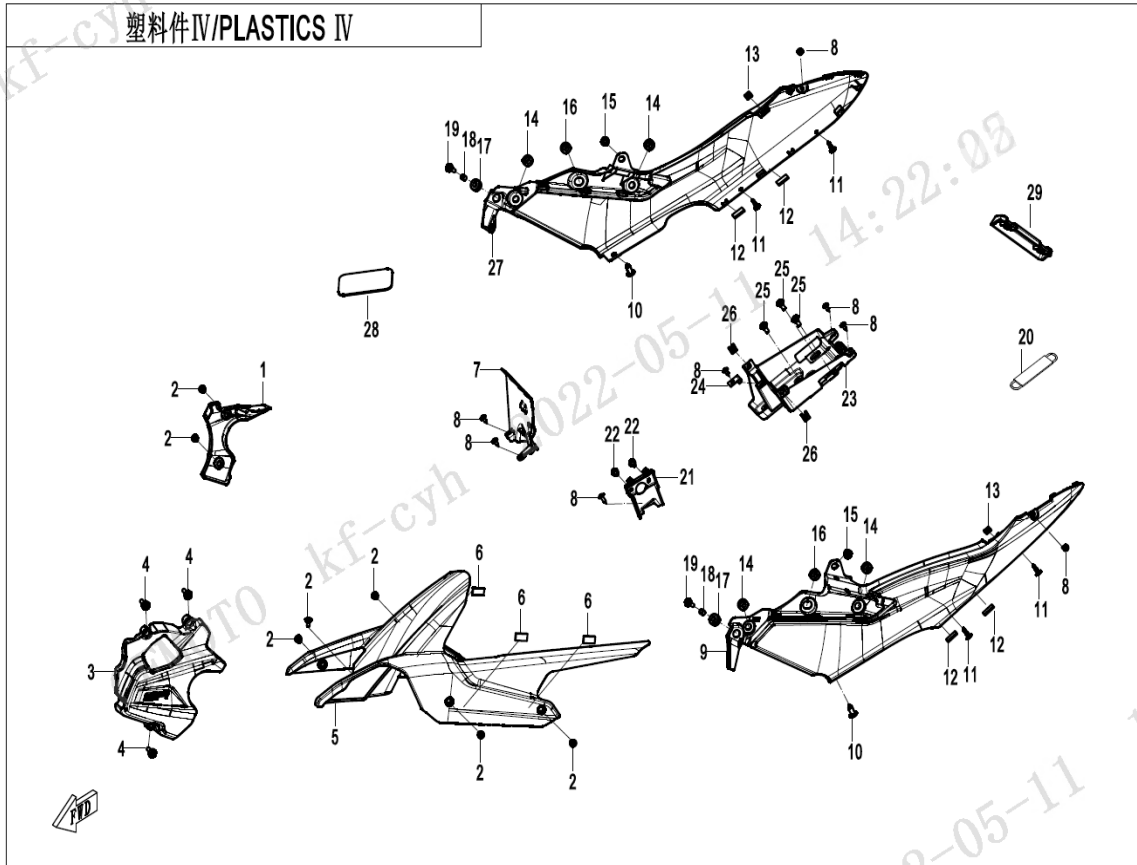
塑料件IV/PLASTICS IV



F04-4-V1 PLASTICS 4

Item No.	Parts Number	Parts Name(EN)	Qty	Specification
01	6AQV-041103-1000	RH DECO COVER, FRAME	1	
02	6WWV-046502-5000	STEPPED SCREW M5	7	
03	6AQV-000102-1001	SMALL SPROCKET GUARD	1	
03	6AQV-000102-1002	SMALL SPROCKET GUARD	1	
04	6WWV-047002-5000	INNER HEX SCREW M6x25	3	
05	6AQV-060401-1000	PANEL, REAR FORK	1	
06	6KM#-160420-8001	SPONGE MAT	3	
07	6AQV-041118-1002	HEAT INSULATOR, BATTERY	1	
08	30110-481130070	SELF-TAPPING SCREW	8	
09	6AQV-040701-1000	LH VEHICLE COVER	1	
10	9060-040310	PLASTIC CLIPS	2	
11	8080-041130	PLASTIC SCREW	4	
12	6KM#-160420-8001	SPONGE MAT	4	
13	8080-000002	CLIP NUT ST4.8	2	ST4.8
14	A000-040302	RUBBER DAMPER	4	
15	6WWV-046701-5000	INNER HEX SCREW M6x12	2	
16	8080-040064	DAMPER, FRONT FENDER	2	
17	6090-040302	RUBBER DAMPER	2	
18	6090-040303	BUSHING	2	
19	6WWV-046902-5000	INNER HEX SCREW M6x20	2	
20	6060-150700	TIE BAND, BATTERY	1	
21	6AQV-041102-1000	SEAT LOCK GUARD	1	
22	6WWV-047102-5000	INNER HEX SCREW M5x14	2	
23	6AQV-041101-1001	BATTERY BOX	1	
24	A000-030005	TIE BAND BRACKET, TOOLS KIT	1	
25	6WWV-046602-5000	INNER HEX STEPPED SCREW M6x14	3	
26	6KM#-040081-8000-M1	NUT CLIP M5	2	
27	6AQV-040702-1000	RH VEHICLE COVER	1	
28	6AQV-041116-1000	FRAME STICKER	1	
29	6AQV-041119-1000	LIMIT BRACKET, BATTERY	1	

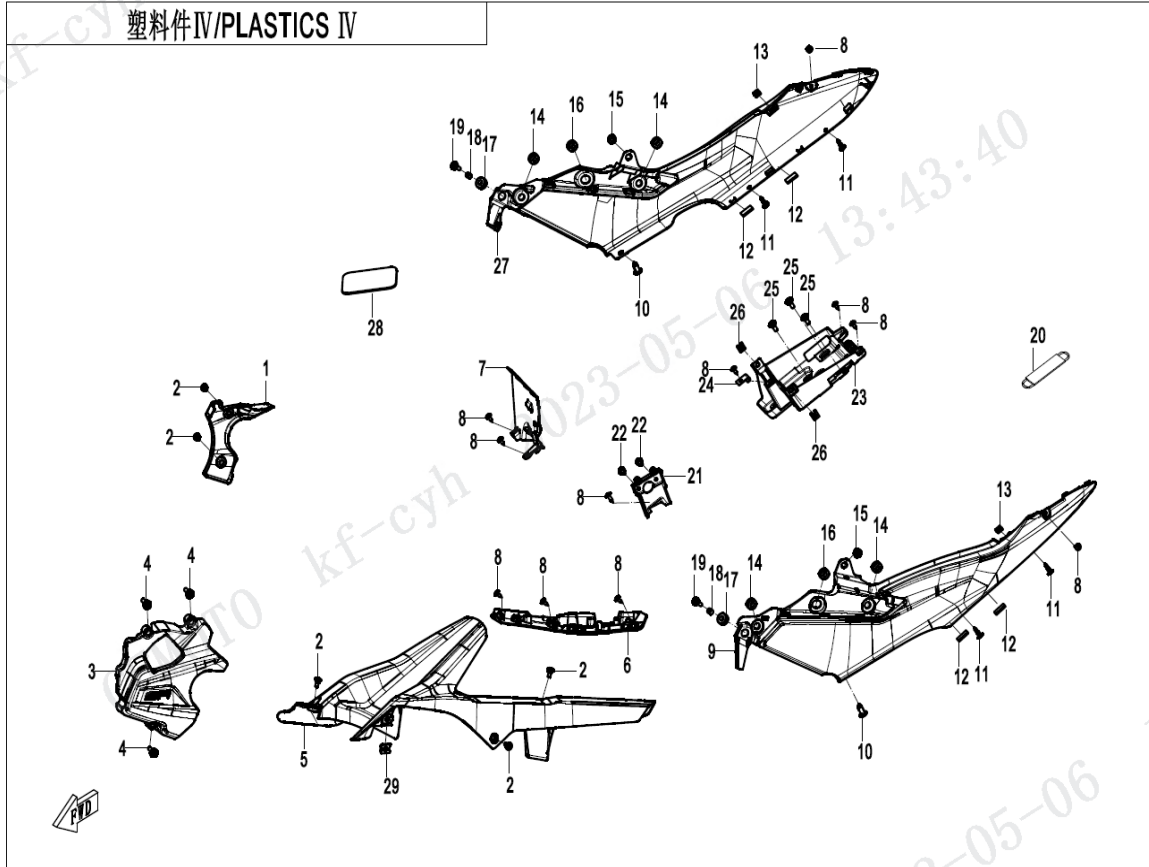
塑料件IV/PLASTICS IV



F04-4-V2 PLASTICS 4

Item No.	Parts Number	Parts Name(EN)	Qty	Specification
01	6AQV-041103-1000	RH DECO COVER, FRAME	1	
02	6WWV-046502-5000	STEPPED SCREW M5	7	
03	6AQV-000102-1001	SMALL SPROCKET GUARD	1	
03	6AQV-000102-1002	SMALL SPROCKET GUARD	1	
04	6WWV-047002-5000	INNER HEX SCREW M6x25	3	
05	6AQV-060401-1000	PANEL, REAR FORK	1	
06	6KM#-160420-8001	SPONGE MAT	3	
07	6AQV-041118-1002	HEAT INSULATOR, BATTERY	1	
08	30110-481130070	SELF-TAPPING SCREW	8	
09	6AQV-040701-1001	LH VEHICLE BODY COVER	1	
10	9060-040310	PLASTIC CLIPS	2	
11	8080-041130	PLASTIC SCREW	4	
12	6KM#-160420-8001	SPONGE MAT	4	
13	8080-000002	CLIP NUT ST4.8	2	ST4.8
14	A000-040302	RUBBER DAMPER	4	
15	6WWV-046701-5000	INNER HEX SCREW M6x12	2	
16	8080-040064	DAMPER, FRONT FENDER	2	
17	6090-040302	RUBBER DAMPER	2	
18	6090-040303	BUSHING	2	
19	6WWV-046902-5000	INNER HEX SCREW M6x20	2	
20	6060-150700	TIE BAND, BATTERY	1	
21	6AQV-041102-1000	SEAT LOCK GUARD	1	
22	6WWV-047102-5000	INNER HEX SCREW M5x14	2	
23	6AQV-041101-1001	BATTERY BOX	1	
24	A000-030005	TIE BAND BRACKET, TOOLS KIT	1	
25	6WWV-046602-5000	INNER HEX STEPPED SCREW M6x14	3	
26	6KM#-040081-8000-M1	NUT CLIP M5	2	
27	6AQV-040702-1001	RH VEHICLE BODY COVER	1	
28	6AQV-041116-1000	FRAME STICKER	1	
29	6AQV-041119-1000	LIMIT BRACKET, BATTERY	1	

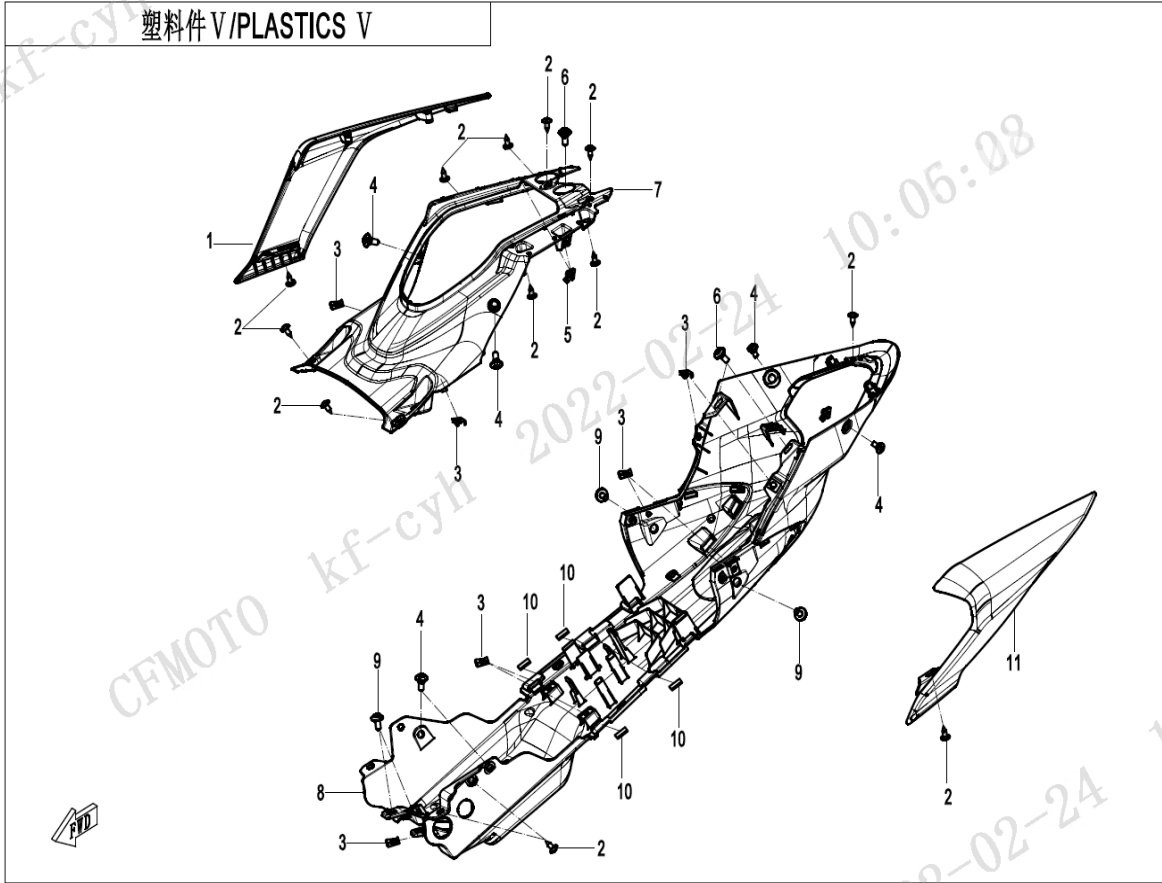
塑料件IV/PLASTICS IV



F04-4-V3 PLASTICS 4

Item No.	Parts Number	Parts Name(EN)	Qty	Specification
1	6AQV-041103-1000	RH DECO COVER, FRAME	1	
2	6WWV-046502-5000	STEPPED SCREW M5	5	
3	6AQV-000102-1002	SMALL SPROCKET GUARD	1	
4	6WWV-047002-5000	INNER HEX SCREW M6x25	3	
5	6AQV-060401-3001	REAR FORK PANEL	1	
6	6AQV-060402-3001	BRAKE FLUID HOSE CLIP	1	
7	6AQV-041118-1002	HEAT INSULATOR, BATTERY	1	
8	30110-481130070	SELF-TAPPING SCREW	11	
9	6AQV-040701-1002	LH VEHICLE COVER	1	
10	9060-040310	PLASTIC CLIPS	2	
11	8080-041130	PLASTIC SCREW	4	
12	6KM#-160420-8001	SPONGE MAT	4	
13	8080-000002	CLIP NUT ST4.8	2	ST4.8
14	A000-040302	RUBBER DAMPER	4	
15	6WWV-046701-5000	INNER HEX SCREW M6x12	2	
16	8080-040064	DAMPER, FRONT FENDER	2	
17	6090-040302	RUBBER DAMPER	2	
18	6090-040303	BUSHING	2	
19	6WWV-046902-5000	INNER HEX SCREW M6x20	2	
20	6060-150700	TIE BAND, BATTERY	1	
21	6AQV-041102-1000	SEAT LOCK GUARD	1	
22	6WWV-047102-5000	INNER HEX SCREW M5x14	2	
23	6AQV-041101-1001	BATTERY BOX	1	
24	A000-030005	TIE BAND BRACKET, TOOLS KIT	1	
25	6WWV-046602-5000	INNER HEX STEPPED SCREW M6x14	3	
26	6KM#-040081-8000-M1	NUT CLIP M5	2	
27	6AQV-040702-1002	RH VEHICLE COVER	1	
28	6AQV-041116-1000	FRAME STICKER	1	
29	8030-040800-00001	NUT CLIP M6	1	M6

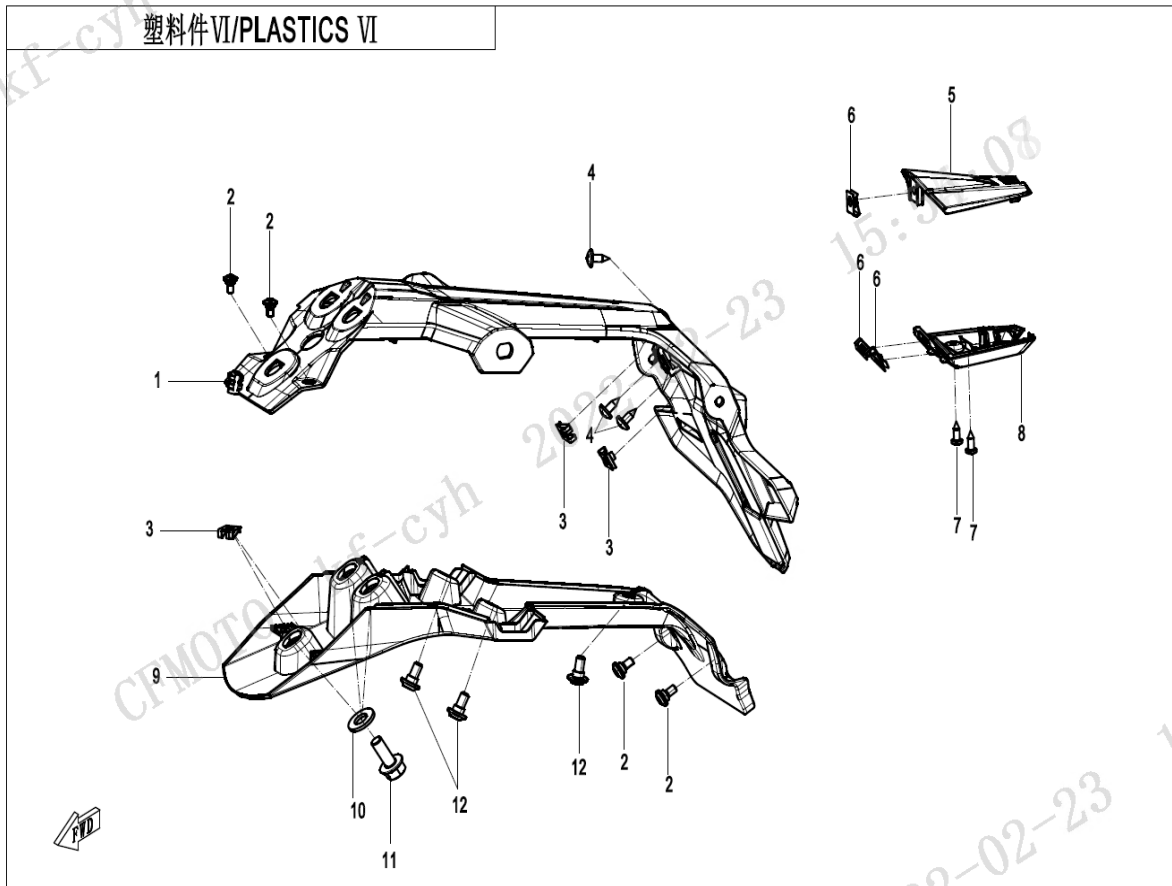
塑料件V/PLASTICS V



F04-5 PLASTICS 5

Item No.	Parts Number	Parts Name(EN)	Qty	Specification
01	6AQV-040704-1001-0HC00	RH GUARD, TAIL LIGHT	1	VELOCITY GREY
01	6AQV-040704-1001-0VE00	RH GUARD, TAIL LIGHT	1	NEBULA WHITE
02	30110-481130070	SELF-TAPPING SCREW	13	
03	8080-000002	CLIP NUT ST4.8	9	ST4.8
04	6WWV-046502-5000	STEPPED SCREW M5	6	
05	6KM#-040081-8000-M1	NUT CLIP M5	2	
06	6WWV-046602-5000	INNER HEX STEPPED SCREW M6x14	3	
07	6AQV-040706-1001	LOWER PANEL, SEAT	1	
08	6AQV-040705-1001	SKID PLATE, FRAME	1	
09	6WWV-046702-5000	INNER HEX SCREW M6x12	4	
10	6KM#-160420-8001	SPONGE MAT	4	
11	6AQV-040703-1001-0HC00	LH GUARD, TAIL LIGHT	1	VELOCITY GREY
11	6AQV-040703-1001-0VE00	LH GUARD, TAIL LIGHT	1	NEBULA WHITE

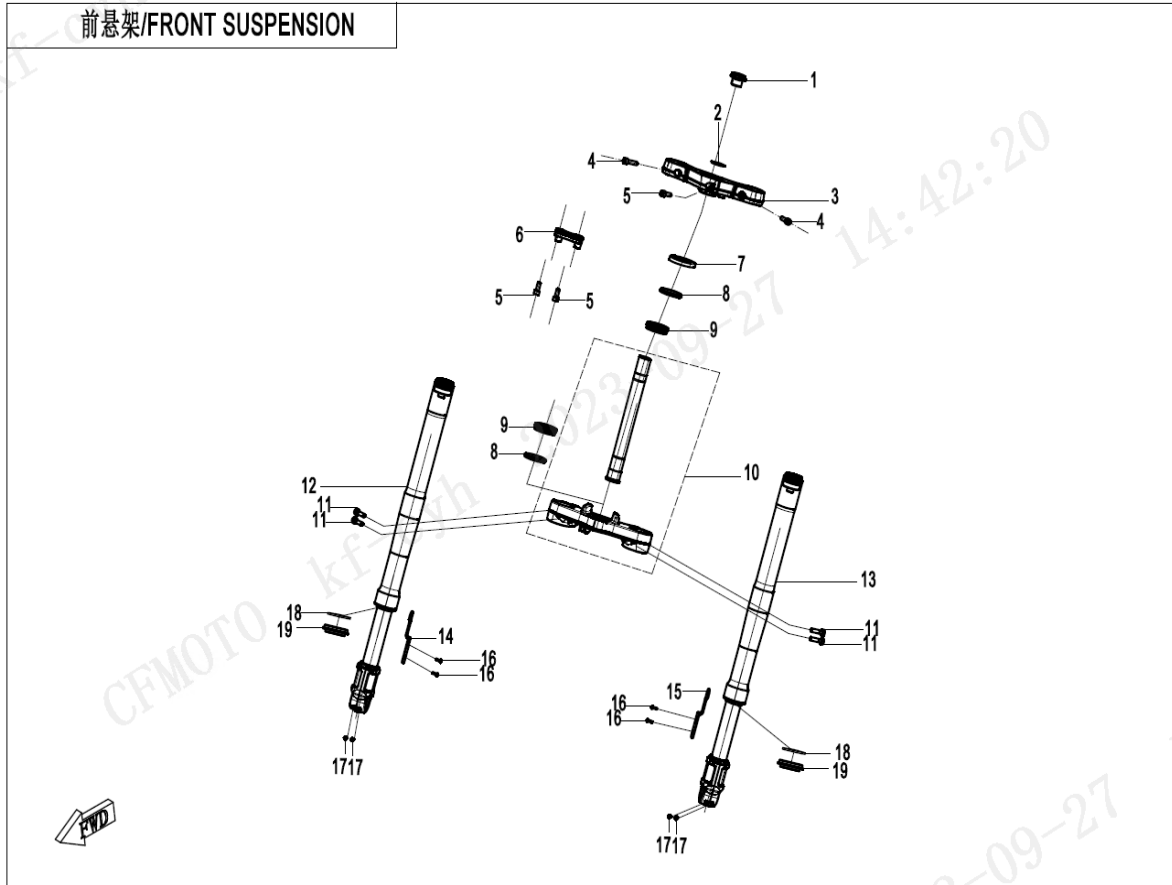
塑料件VI/PLASTICS VI



F04-6 PLASTICS 6

Item No.	Parts Number	Parts Name(EN)	Qty	Specification
01	6AQV-040801-1000	UPPER PART, REAR FENDER	1	
02	6WWV-046502-5000	STEPPED SCREW M5	4	
03	6KM#-040081-8000-M1	NUT CLIP M5	4	
04	30110-481130070	SELF-TAPPING SCREW	3	
05	6AQV-040803-1001	UPPER COVER, LICENSE LIGHT	1	
06	8080-000002	CLIP NUT ST4.8	3	ST4.8
07	30110-421130010	SCREW	2	ST4.2x13
08	6AQV-040804-1001	LOWER COVER, LICENSE LIGHT	1	
09	6AQV-040802-1000	LOWER PART, REAR FENDER	1	
10	30306-100112	WASHER	3	10
11	30006-080020810	BOLT M8x20	3	M8x20
12	6WWV-046602-5000	INNER HEX STEPPED SCREW M6x14	3	

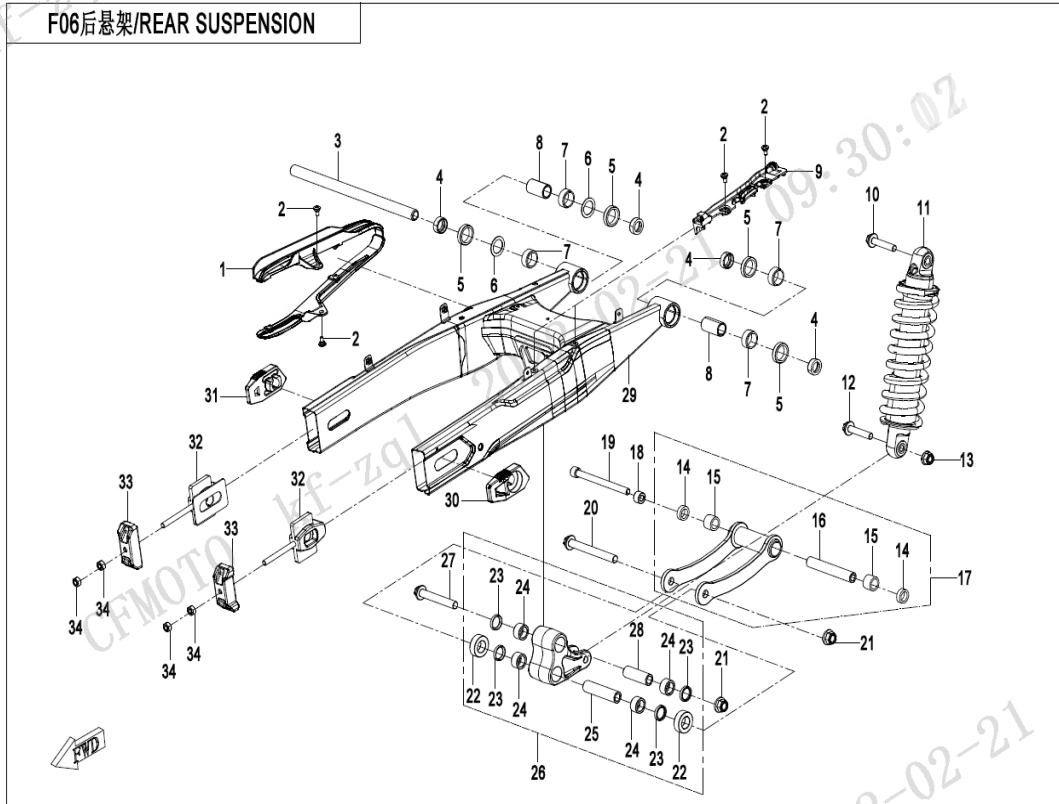
前悬架/FRONT SUSPENSION



F05 FRONT SUSPENSION

Item No.	Parts Number	Parts Name(EN)	Qty	Specification
1	6L30-050002	LOCK SCREW, UPPER TRIPLE CLAMP	1	
2	6WWV-050005-5000	WASHER	1	
3	6AQV-050001-1001-0VR00	UPPER TRIPLE CLAMP	1	MERCURY SILVER
4	30102-080030860	INNER HEX SCREW M8x30	2	M8x30
5	30102-080020810	SCREW M8x20	3	M8x20
6	6AQV-050003-1000	BRACKET 1, STEM LOCK	1	
6	6AQV-050003-1001	HEAD LOCK BRACKET 1	1	
7	6L30-050003	DUST-PROOF COVER	1	
8	6AQV-050010-1000	ANTI-DUST RING	2	
9	6L30-050200	STEERING BEARING ASSY	2	
10	6AQV-0503A0	LOWER TRIPLE CLAMP	1	
11	6WWV-050011-5000	INNER HEX SCREW M8x30	4	
12	6AQV-050600-1004-M2	FRONT RH SHOCK ABSORBER	1	
12	6AQV-050600-1005-M2	FRONT RH SHOCK ABSORBER	1	
13	6AQV-050500-1004-M2	FRONT LH SHOCK ABSORBER	1	
13	6AQV-050500-1005-M2	FRONT LH SHOCK ABSORBER	1	
14	6AQV-050030-1000	RH BRACKET, FRONT FENDER	1	
15	6AQV-050020-1000	LH BRACKET, FRONT FENDER	1	
16	30001-060012810	BOLT M6x12	4	M6x12
17	30102-080025700	SCREW M8x25	4	M8x25
18	6AQV-050500-1000-30	OIL SEAL	2	
19	6AQV-050500-1000-27	DUST CAP	2	

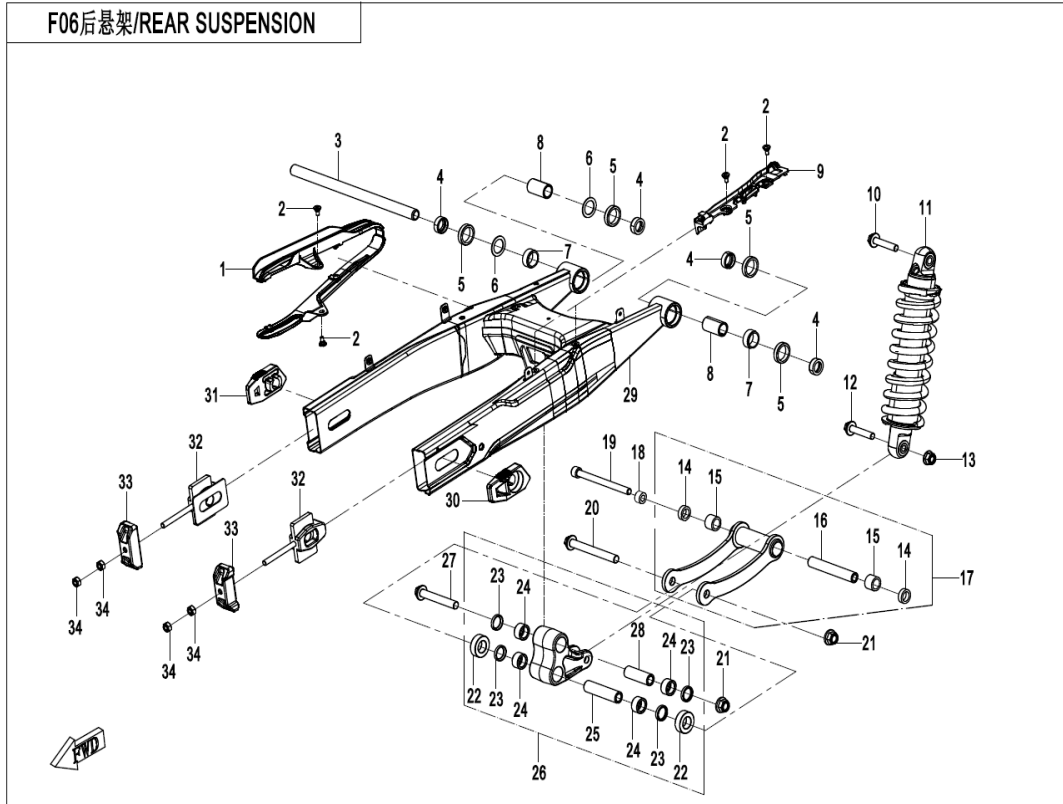
F06后悬架/REAR SUSPENSION



F06-V1 REAR SUSPENSION

Item No.	Parts Number	Parts Name(EN)	Qty	Specification
01	6AQV-060303-1000	CHAIN GUARD	1	
02	6WWW-046502-5000	STEPPED SCREW M5	4	
03	6AQV-060007-1000	REAR FORK SHAFT	1	
04	6WWW-060030-5000	OIL SEAL	4	
04	6WWW-060030-5000-10	OIL SEAL	4	
05	6WWW-060002-5000	BUSHING, REAR SWING ARM	4	
06	6WWW-060004-5000	WASHER, REAR SWING ARM	2	
07	30403-02200	NEEDLE BEARING HK2212	4	HK2212
08	6WWW-060003-5000	LINER, REAR SWING ARM	2	
09	6AQV-060304-1000	WIRE CLIP, BRAKE FLUID HOSE	1	
10	30006-102055110	BOLT	1	
11	6AQV-060100-1002-M2	SHOCK ABSORBER	1	
12	6AQV-060004-1002	BOLT M10x50, REAR SHOCK ABSORBER	1	M10x50
13	30204-102110	NUT M10x1.25	1	M10x1.25
14	6GU#-060302-6000-M1	OIL SEAL, TIE-ROD	2	
15	30403-01680	NEEDLE BEARING	2	
16	6AQV-060602-1000	BUSHING, TIE-ROD	1	
17	6AQV-060600-1001	TIE ROD	1	
18	6AQV-060005-1000	SPACER, TIE ROD	1	
19	6AQV-060009-1002	BOLT M10x130, TIE ROD	1	M10x130
20	30024-122110110	BOLT	1	
21	30204-122810	NUT M12x1.25	2	M12x1.25
22	6AQV-060504-1000	RETAINER	2	
23	6GU#-060204-6001-M1	OIL SEAL, A-ARM	4	
24	30403-01880	NEEDLE BEARING	4	
25	6AQV-060503-1000	LOWER BUSHING, A-ARM	1	
26	6AQV-060500-1002	A-SWING ARM ASSY	1	
27	6AQV-060008-1002	BOLT M12x80, SWING ARM	1	M12x80
28	6AQV-060502-1000	UPPER BUSHING, A-ARM	1	
29	6AQV-060300-1003-0BP00	REAR FORK	1	MAUD SPIRIT BLACK
29	6AQV-060300-1004-0BP00	REAR FORK ASSY	1	MAUD SPIRIT BLACK
30	6AQV-060045-1001-0VR00	RH CHAIN ADJUSTING DECO BLOCK	1	MERCURY SILVER
31	6AQV-060044-1001-0VR00	LH CHAIN ADJUSTING DECO BLOCK	1	MERCURY SILVER
32	6AQV-060043-1000	CHAIN ADJUSTING BLOCK	2	
33	6AQV-060041-1000-0BP00	GUARD, CHAIN ADJUSTER	2	MAUD SPIRIT BLACK
34	30200-080810	NUT M8	4	M8

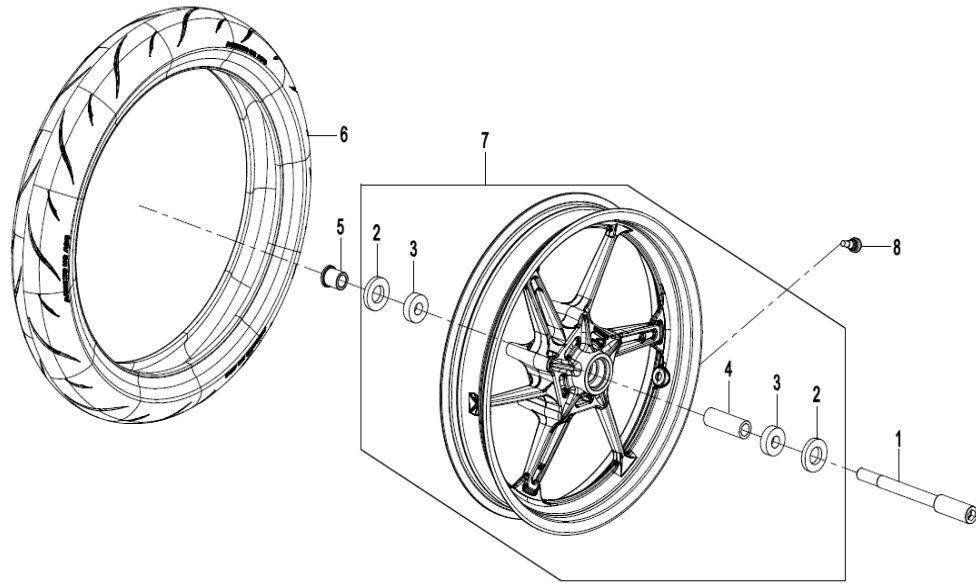
F06后悬架/REAR SUSPENSION



F06-V2 REAR SUSPENSION

Item No.	Parts Number	Parts Name(EN)	Qty	Specification
01	6AQV-060303-1000	CHAIN GUARD	1	
02	6WWW-046502-5000	STEPPED SCREW M5	4	
03	6AQV-060007-1000	REAR FORK SHAFT	1	
04	6WWW-060030-5000	OIL SEAL	4	
04	6WWW-060030-5000-10	OIL SEAL	4	
05	6WWW-060002-5000	BUSHING, REAR SWING ARM	4	
06	6WWW-060004-5000	WASHER, REAR SWING ARM	2	
07	30403-02280	NEEDLE BEARING	2	
08	6WWW-060003-5000	LINER, REAR SWING ARM	2	
09	6AQV-060304-1000	WIRE CLIP, BRAKE FLUID HOSE	1	
10	30006-102055110	BOLT	1	
11	6AQV-060100-1002-M2	SHOCK ABSORBER	1	
12	6AQV-060004-1002	BOLT M10x50, REAR SHOCK ABSORBER	1	M10x50
13	30204-102110	NUT M10x1.25	1	M10x1.25
14	6GU#-060302-6000-M1	OIL SEAL, TIE-ROD	2	
15	30403-01680	NEEDLE BEARING	2	
16	6AQV-060602-1000	BUSHING, TIE-ROD	1	
17	6AQV-060600-1001	TIE ROD	1	
18	6AQV-060005-1000	SPACER, TIE ROD	1	
19	6AQV-060009-1002	BOLT M10x130, TIE ROD	1	M10x130
20	30024-122110110	BOLT	1	
21	30204-122810	NUT M12x1.25	2	M12x1.25
22	6AQV-060504-1000	RETAINER	2	
23	6GU#-060204-6001-M1	OIL SEAL, A-ARM	4	
24	30403-01880	NEEDLE BEARING	4	
25	6AQV-060503-1000	LOWER BUSHING, A-ARM	1	
26	6AQV-060550-1000	A-SHAPE SWING ARM ASSY	1	
27	6AQV-060008-1002	BOLT M12x80, SWING ARM	1	M12x80
28	6AQV-060502-1000	UPPER BUSHING, A-ARM	1	
29	6AQV-060300-1003-0BP00	REAR FORK	1	MAUD SPIRIT BLACK
29	6AQV-060300-1004-0BP00	REAR FORK ASSY	1	MAUD SPIRIT BLACK
30	6AQV-060045-1001-0VR00	RH CHAIN ADJUSTING DECO BLOCK	1	MERCURY SILVER
31	6AQV-060044-1001-0VR00	LH CHAIN ADJUSTING DECO BLOCK	1	MERCURY SILVER
32	6AQV-060043-1000	CHAIN ADJUSTING BLOCK	2	
33	6AQV-060041-1000-0BP00	GUARD, CHAIN ADJUSTER	2	MAUD SPIRIT BLACK
34	30200-080810	NUT M8	4	M8

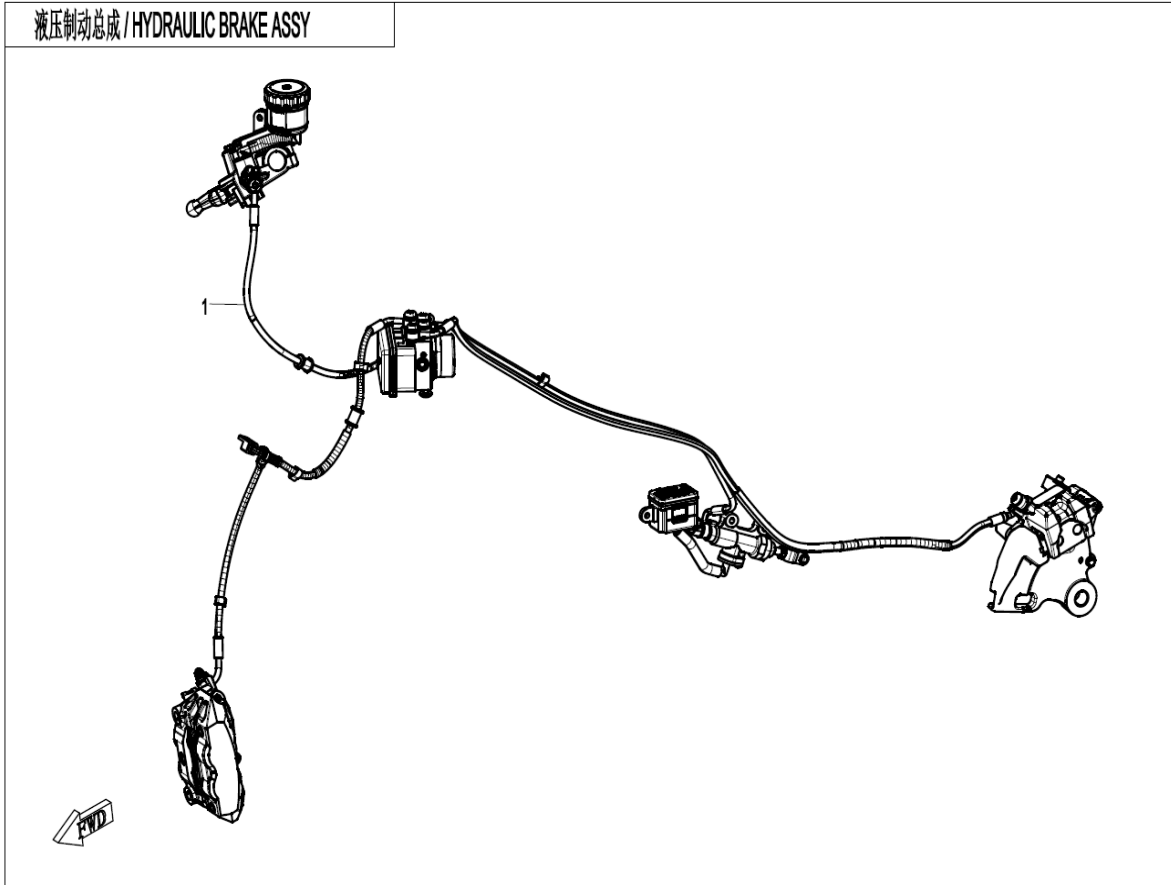
F07前轮杆/FRONT WHEEL



F07 FRONT WHEEL

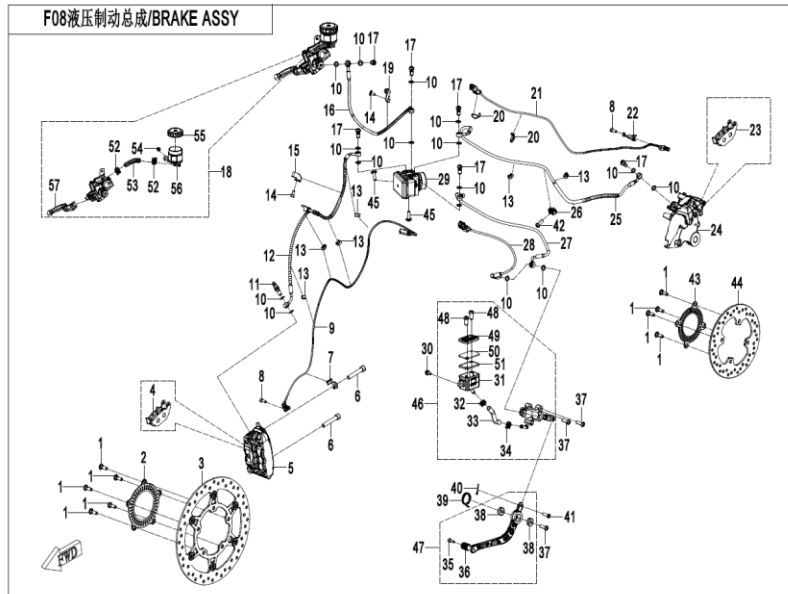
Item No.	Parts Number	Parts Name(EN)	Qty	Specification
01	6AQV-070003-1000	FRONT WHEEL AXLE	1	
01	6AQV-070001-1000	FRONT WHEEL SHAFT	1	
02	6AQV-070200-1000-20	OIL SEAL	2	
03	30400-01785	BEARING	2	
04	6AQV-070202-1000-M1	MIDDLE SPACER, FRONT RIM	1	
05	6AQV-070002-1000	SHAFT BUSHING, FRONT WHEEL AXLE	1	
06	30705-1775	TIRE	1	FRONT
06	30705-1765	TIRE	1	
07	6AQV-070200-1001-M1-0BV00	FRONT RIM ASSY	1	MIDNIGHT BLACK
08	5190-070030-1000	VALVE, INFLATION	1	

液压制动总成 / HYDRAULIC BRAKE ASSY



F08-A-1 BRAKE SYSTEM (BOSCH ABS)

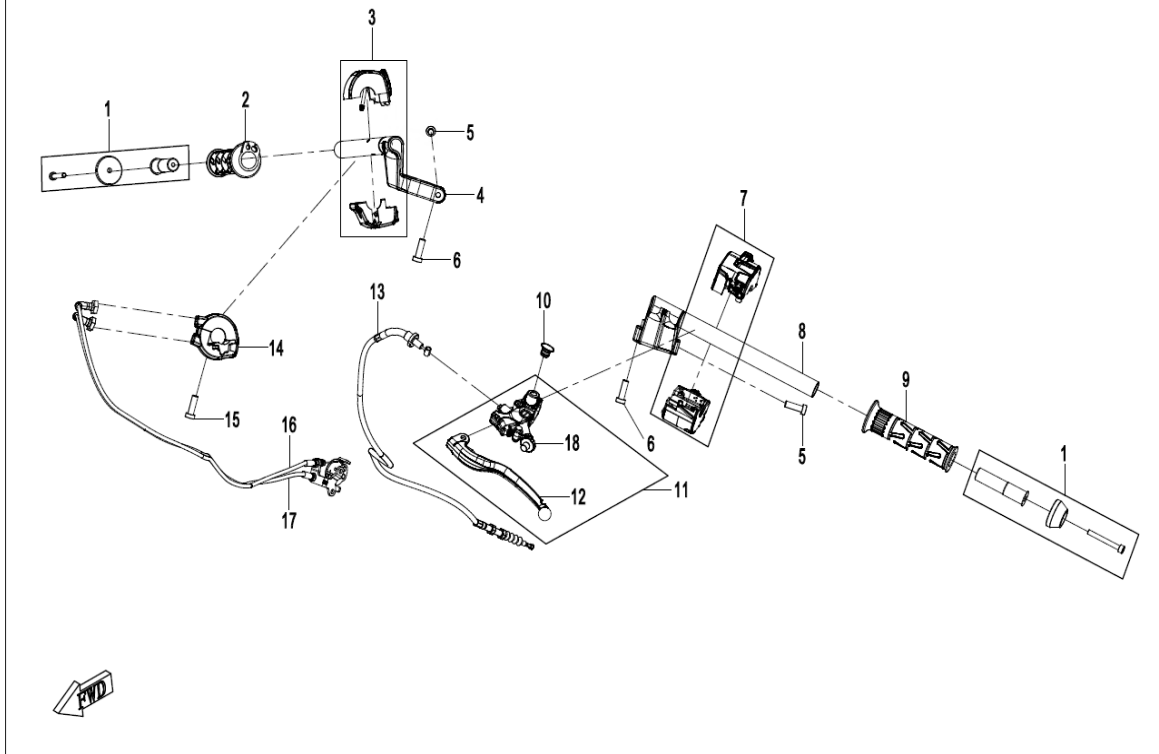
Item No.	Parts Number	Parts Name(EN)	Qty	Specification
01	6AQV-081000-1000	MAB HYDRAULIC BRAKE ASSY	1	
01	6AQV-081000-1003	MAB HYDRAULIC BRAKE ASSY	1	
01	6AQV-081000-1004	MAB HYDRAULIC BRAKE ASSY	1	



F08-A-2 BRAKE SYSTEM (BOSCH ABS)

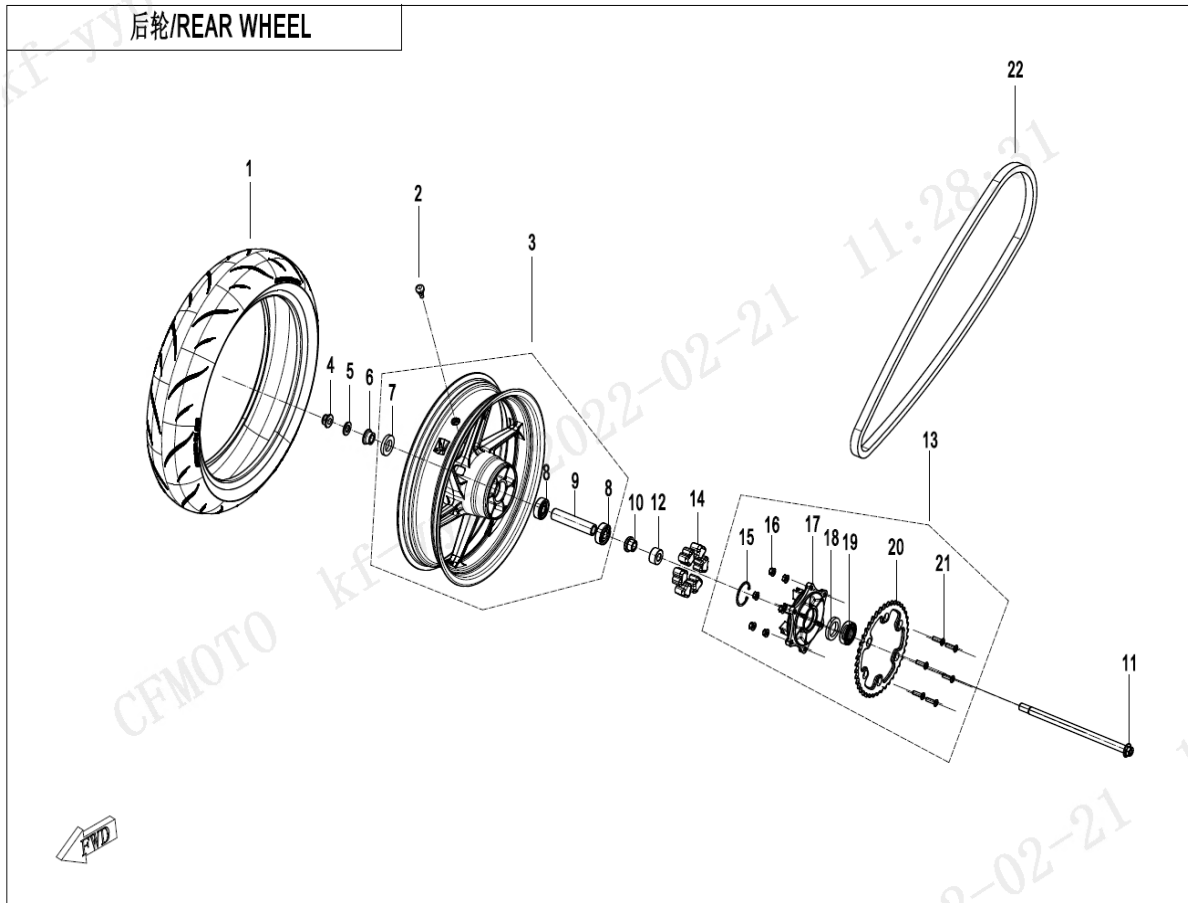
Item No.	Parts Number	Parts Name(EN)	Qty	Specification
01	6KJ0-080005	BOLT, FRONT BRAKE DISC	9	
02	6AQV-080002-1000	FRONT RACK	1	
03	6AQV-080001-1000-M1	FRONT BRAKE DISC	1	
04	6AQV-0812A1	FRONT BRAKE PAD	1	
05	6AQV-081210-1001-M1	FRONT BRAKE CALIPER, RH	1	
06	30102-102060810	SCREW M10x1.25x60	2	M10x1.25x60
07	6AQV-081002-1000	WIRE CLIP, FRONT SPEED SENSOR	1	
08	30102-060016870	SCREW M6x16	2	
09	6AQV-080004-1000-M1	FRONT SPEED SENSOR	1	
10	A000-080102-2000	WASHER	16	
11	6GU#-081000-6000-22	BANJO BOLT 1	1	
12	6AQV-081600-1001	FRONT BRAKE FLUID INLET HOSE	1	
13	6KJ0-080003-00001	CLIP, BRAKE HOSE	6	
14	A000-040702	INNER HEX SCREW M6x12	1	M6x12
15	6AQV-081601-1002	WIRE CLIP, FLUID INLET HOSE	1	
16	6AQV-081500-1000	FLUID OUTLET HOSE, FRONT BRAKE	1	
17	6GU#-081000-6000-23	BANJO BOLT2	6	
18	6AQV-081110-1003-M1	MASTER CYLINDER, HAND BRAKE	1	
19	6AQV-081501-1002	WIRE CLIP, FLUID OUTLET HOSE	1	
20	8010-150003	TIE	2	5x250
21	6L30-080020	SPEED SENSOR, FRONT WHEEL	1	
22	6AQV-081003-1000	WIRE CLIP, REAR SPEED SENSOR	1	
23	6KM0-0911A0	REAR BRAKE PAD ASSY	1	
24	6AQV-081710-1001-M1	REAR BRAKE CALIPER	1	
25	6AQV-081900-1000	FLUID INLET HOSE, REAR BRAKE	1	
26	6L30-080006	WIRE CLIP 2, BRAKE FLUID HOSE	1	
27	6AQV-081800-1001	REAR BRAKE FLUID OUTLET HOSE	1	
28	6NTV-081070-9300-M1	REAR BRAKE LIGHT SWITCH	1	
29	6AQV-081300-1000-M1	ABS CONTROLLER	1	
30	30006-060016810	BOLT M6x16	1	M6x16
31	6AQV-081410-1000-21	RESERVOIR TANK	1	
32	6KM0-091215-20000	HOSE CLIP 1	1	
33	6AQV-081410-1000-20	RESERVOIR TANK HOSE	1	
34	A000-080213-2000	CLIP	1	
35	30102-060016810	SCREW	1	
36	6AQV-080301-1000	SUPPORTER	1	
37	30121-080025160	SCREW M8x25	3	M8x25
38	30400-00880	BEARING 8x22x7	2	8x22x7
39	6AQV-080400-1000	SPRING	1	
40	30903-0201640	COTTER PIN	1	
41	30904-0602240	PIN SHAFT	1	
42	6100-120005	INNER HEX SCREW M6x8	1	M6x8
43	6NTG-080009	REAR GEAR RING	1	
44	6AQV-080006-1000	REAR BRAKE DISC	1	
45	A000-040703	INNER HEX SCREW	2	M6x20
46	6AQV-081410-1001-M1	MASTER CYLINDER, REAR BRAKE	1	
47	6AQV-080300-1000-0VR00	REAR BRAKE FOOT PEDAL ASSY	1	MERCURY SILVER
48	6AQV-081410-1000-25	SCREW, RESERVOIR TANK COVER	2	
49	6AQV-081410-1000-24	RESERVOIR TANK COVER	1	
50	6AQV-081410-1000-23	BACKING PLATE, RESERVOIR TANK	1	
51	6AQV-081410-1000-22	GASKET, RESERVOIR TANK	1	
52	6AQV-081110-1000-46	CLAMP	2	
53	6AQV-081110-1000-45	FLUID HOSE	1	
54	6AQV-081110-1000-35	BOLT, RESERVOIR TANK	1	
55	6AQV-081110-1001-54	CAP, FLUID RESERVOIR	1	
56	6AQV-081110-1000-53	RESERVOIR TANK	1	
57	6AQV-081110-1000-47	BRAKE LEVER	1	

F10转向系统/STEERING SYSTEM



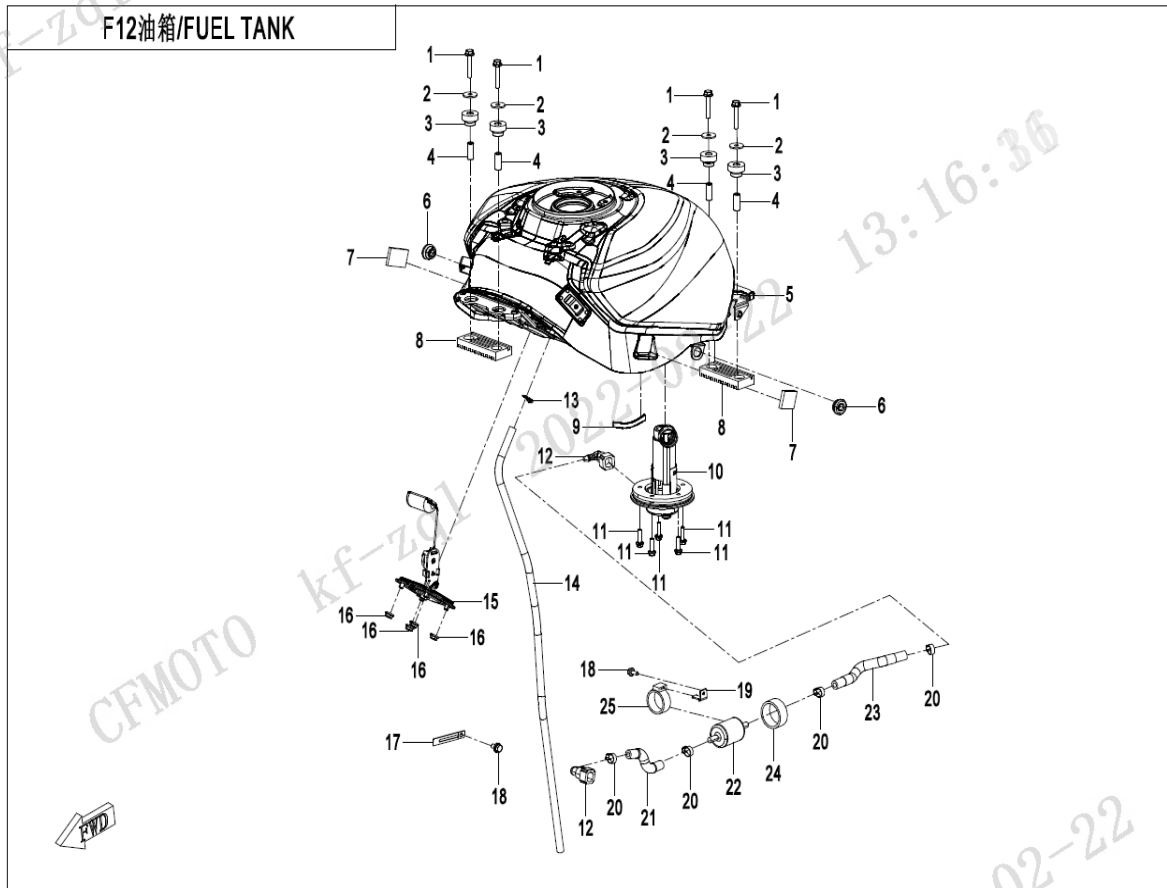
F10 STEERING SYSTEM

Item No.	Parts Number	Parts Name(EN)	Qty	Specification
01	6AQV-100301-1000-0VR00	BALANCE BLOCK	2	MERCURY SILVER
02	A000-100010-20000	RH HAND GRIP ASSY	1	
03	6AQV-167000-1001	HANDLEBAR SWITCH ASSY, RH	1	
03	6KMV-167000-3000	RH HANDLEBAR SWITCH ASSY	1	
04	6AQV-100120-1000	RH HANDLEBAR	1	
05	30102-080025810	SCREW M8x25	2	M8x25
06	30102-060025870	SCREW M6x25	2	M6x25
07	6AQV-166000-1001	HANDLEBAR SWITCH ASSY, LH	1	
08	6AQV-100110-1000	LH HANDLEBAR	1	
09	A000-100001-10000	LH HAND GRIP	1	
10	6KM#-100002-8000	PLUG	1	
11	6WVV-100200-5002	CLUTCH LEVER ASSY	1	
12	6WVV-100201-5000	CLUTCH LEVER	1	
13	6AQV-100600-1002	CLUTCH CABLE	1	
14	6AQV-100700-1003	THROTTLE LEVER	1	
15	30105-040030410	SCREW M4x30	1	M4x30
16	6AQV-100400-1000	THROTTLE CABLE	1	
17	6AQV-100500-1000	THROTTLE CABLE 2	1	
18	6GUV-100200-7002-20	SWITCH KIT	1	



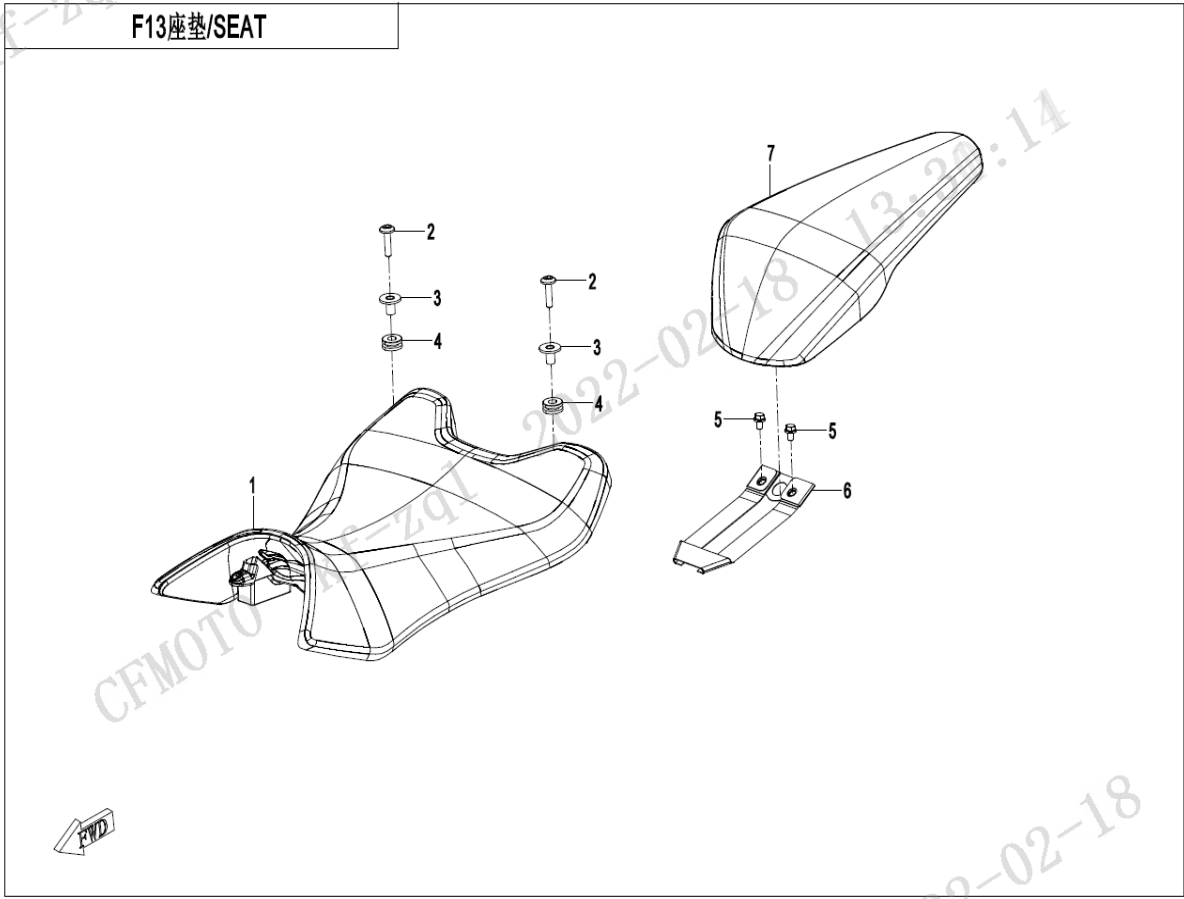
F11 REAR WHEEL

Item No.	Parts Number	Parts Name(EN)	Qty	Specification
1	30705-1776	TIRE	1	REAR
1	30705-1766	TIRE	1	
2	5190-070030-1000	VALVE, INFLATION	1	
3	6AQV-110200-1001-M1-0BV00	REAR RIM ASSY	1	MIDNIGHT BLACK
4	6AQV-060006-1000-M1	NUT M16x1.5	1	M16x1.5
5	6AQV-110006-1000	WASHER, REAR WHEEL AXLE	1	
6	6AQV-110004-1000	RH SHAFT BUSHING, REAR WHEEL	1	
7	30500-027800N	OIL SEAL	1	FB27x47x7
8	30400-01784	BEARING	2	
9	6AQV-110202-1000-M1	MIDDLE SPACER, REAR RIM	1	
10	6AQV-110005-1000	SHAFT BUSHING, SPROCKET SEAT	1	
11	6AQV-110007-1000	SHAFT, REAR WHEEL	1	
11	6AQV-110001-1000	REAR WHEEL AXLE	1	
12	6AQV-110003-1000	LH SHAFT BUSHING, REAR WHEEL	1	
13	6AQV-110300-1001	SPROCKET SEAT	1	
13	6AQV-110300-1003	SPROCKET SEAT ASSY	1	
14	6L30-110003	DAMPER, SPROCKET	6	
15	30800-05205	CIRCLIP FOR HOLE	1	52
16	30204-080810	NUT M8	6	M8
17	6AQV-110301-1000	SPROCKET SEAT	1	
18	6AQV-110300-1000-21	OIL SEAL	1	
19	6AQV-110300-1000-20	BEARING	1	
20	6AQV-110002-1001	REAR SPROCKET	1	
21	6AQV-110300-1000-22	BOLT	6	
22	3120935	CHAIN	1	



F12 FUEL TANK

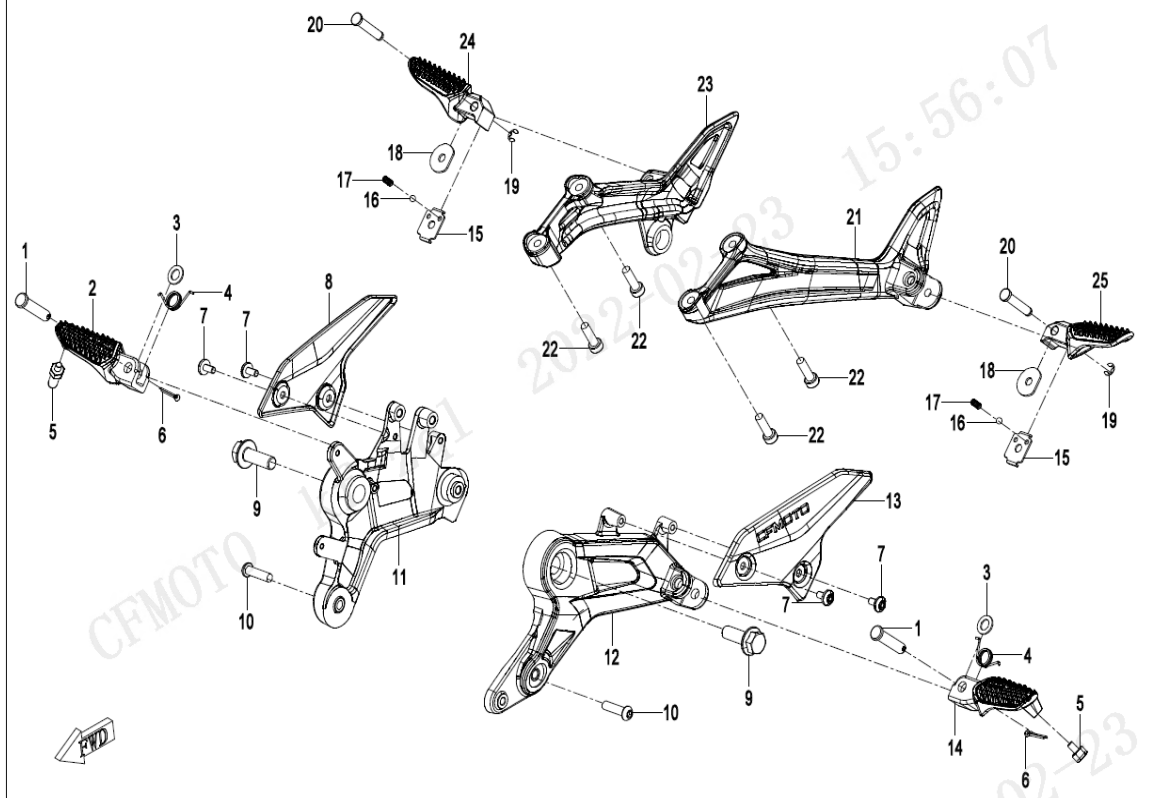
Item No.	Parts Number	Parts Name(EN)	Qty	Specification
01	30006-060035810	BOLT M6x35	4	M6x35
02	30301-060412	WASHER	4	6
03	6NQ#-120004-6000	CUSHION RUBBER WAHSER	4	
04	6NQ#-120002-6000	MOUNTING BUSHING	4	
05	6AQV-122000-1003-11	DECAL KIT, FUEL TANK	1	
05	6AQV-122000-1003-10	FUEL TANK KIT	1	
06	8080-040064	DAMPER, FRONT FENDER	2	
07	6NT1-041510	BUCKLE ASSY	2	
08	6NQ#-120003-6000	RUBBER DAMPER BLOCK	2	
09	6NQ0-190005	TAPE	2	
10	6AQV-150900-1001	FUEL PUMP	1	
10	6AQV-150900-1002	FUEL PUMP ASSY	1	
11	30006-050020810	BOLT	5	M5x20
12	6090-120210	QUICK JOINT	2	
13	30601-111010	CLAMP A11	1	A11
14	6NQ0-120001	FUEL PIPE, FUEL TANK	1	
15	6AQV-170200-1000-M1	OIL LEVEL SENSOR	1	
15	6AQV-170200-1001-M1	FUEL LEVEL SENSOR	1	
16	30202-060110	NUT M6	4	M6
17	0180-014010	WIRE CLIP	1	
18	30006-050012810	BOLT	2	M5x12
19	6AQV-120001-1000	BRACKET, FUEL FILTER	1	
20	6070-120400	CLAMP	4	Dia14.5
21	6AQV-120020-1000	HIGH-PRESSURE FUEL HOSE 2	1	
22	805A-120004	FUEL FILTER, EFI	1	
23	6AQV-120010-1000	HIGH-PRESSURE FUEL HOSE 1	1	
24	4020-040202	SPONGE, FRONT VENTILATION PLATE	1	
25	6090-120221	RUBBER SLEEVE, FUEL FILTER, EFI	1	



F13-A SEAT (STANDARD)

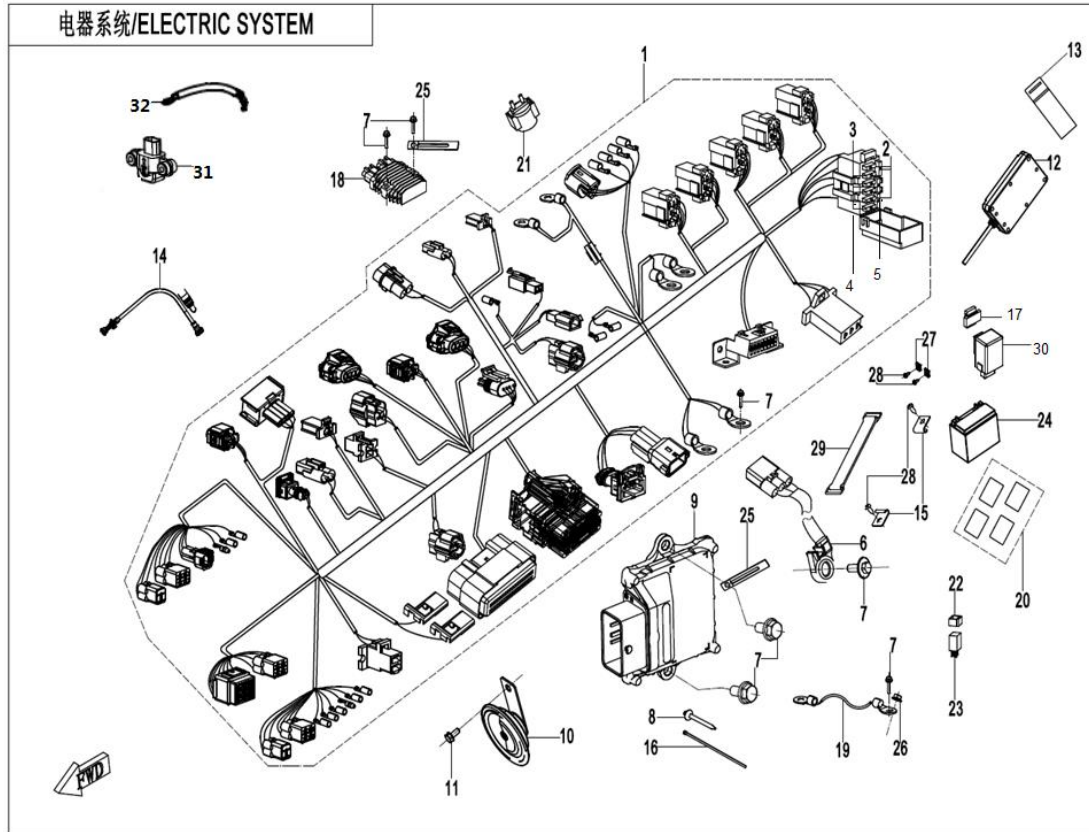
Item No.	Parts Number	Parts Name(EN)	Qty	Specification
01	6AQV-130100-1002	FRONT SEAT ASSY	1	
02	6GU#-000201-6000	INNER HEX SCREW M6x25	2	
03	6KM0-120010	T-TYPE BUSHING ASSY	2	
04	6090-040302	RUBBER DAMPER	2	
05	30006-060022810	BOLT	2	@
06	6AQV-130210-1000	TIE-BAND KIT	1	
07	6AQV-130200-1001	REAR SEAT	1	

F14脚蹬/FOOTREST



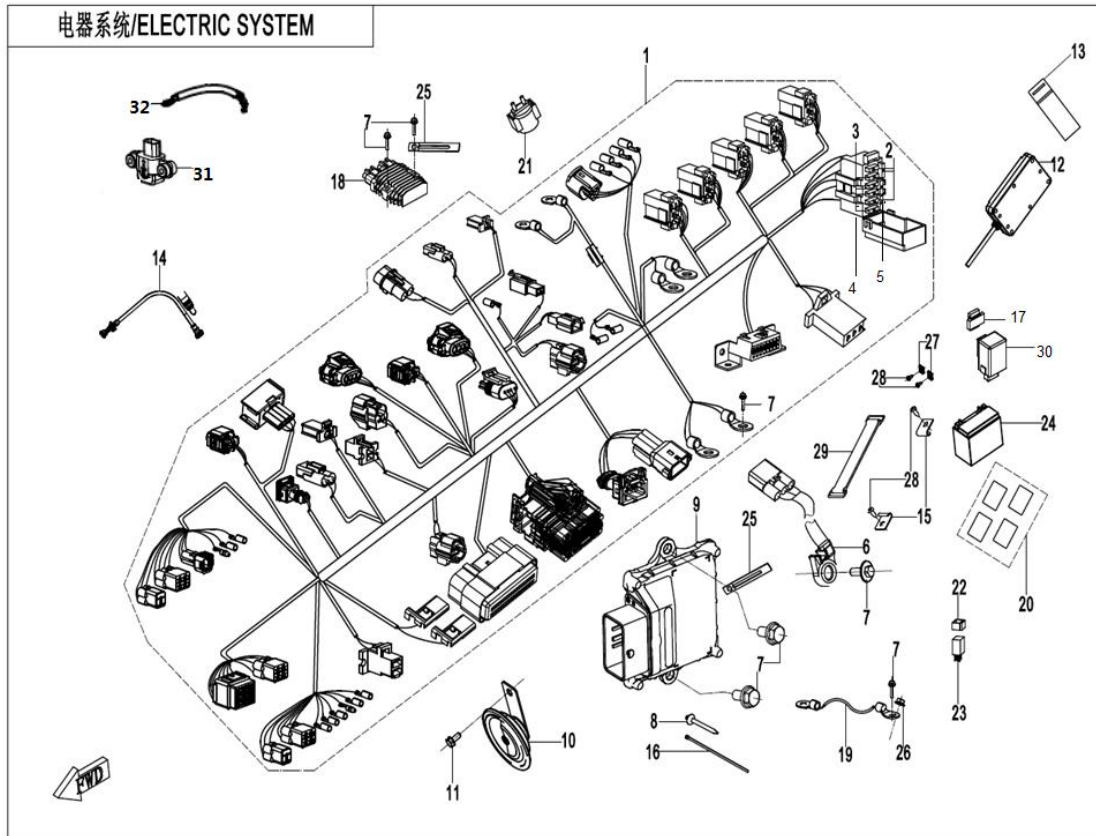
F14 FOOTREST

Item No.	Parts Number	Parts Name(EN)	Qty	Specification
01	6WWV-140141-5000	PIN SHAFT	2	
02	6AQV-140900-1000-0VR00	RH FRONT FOOTREST SEAT	1	MERCURY SILVER
03	30300-100112	WASHER	2	
04	A000-140103-20000	SPRING	2	
05	6AQV-140620-1000	LIMIT SCREW	2	
06	30903-0322210	COTTER PIN	2	3.2x22
07	6WWV-046701-5000	INNER HEX SCREW M6x12	4	
08	6AQV-140710-1000-0VR00	PANEL, RH FRONT FOOTREST BRACKET	1	MERCURY SILVER
09	0800-014009-00002	BOLT	2	
10	30121-080035160	SCREW	2	
11	6AQV-142700-1000	BRACKET, RH FRONT FOOTREST	1	
12	6AQV-142600-1000	BRACKET, LH FRONT FOOTREST	1	
12	6AQV-142600-1001	LH FRONT FOOTREST BRACKET ASSY	1	
13	6AQV-140610-1000-0VR00	PANEL, LH FRONT FOOTREST BRACKET	1	MERCURY SILVER
14	6AQV-140800-1000-0VR00	LH FRONT FOOTREST SEAT	1	MERCURY SILVER
15	A000-140104	LOCATING GASKET 1	2	
16	5190-037814	STEEL BALL	2	
17	5190-037813	SPRING	2	
18	A000-140106	LOCATING GASKET 2	2	
19	30802-00603	CIRCLIP 6	2	6
20	A000-140142	PIN SHAFT Dia 8	2	Dia 8
21	6AQV-140200-1000-0D300	BRACKET, LH REAR FOOTREST	1	MIST SILVER BLACK
21	6AQV-140200-1001-0D300	LH REAR FOOTREST BRACKET	1	MIST SILVER BLACK
22	30102-080020810	SCREW M8x20	4	M8x20
23	6AQV-140300-1000-0D300	BRACKET, RH REAR FOOTREST	1	MIST SILVER BLACK
23	6AQV-140300-1001-0D300	RH REAR FOOTREST BRACKET	1	MIST SILVER BLACK
24	6AQV-140500-1000-0VR00	RH REAR FOOTREST SEAT	1	MERCURY SILVER
25	6AQV-140400-1000-0VR00	LH REAR FOOTREST SEAT	1	MERCURY SILVER



F15-A ELECTRIC SYSTEM

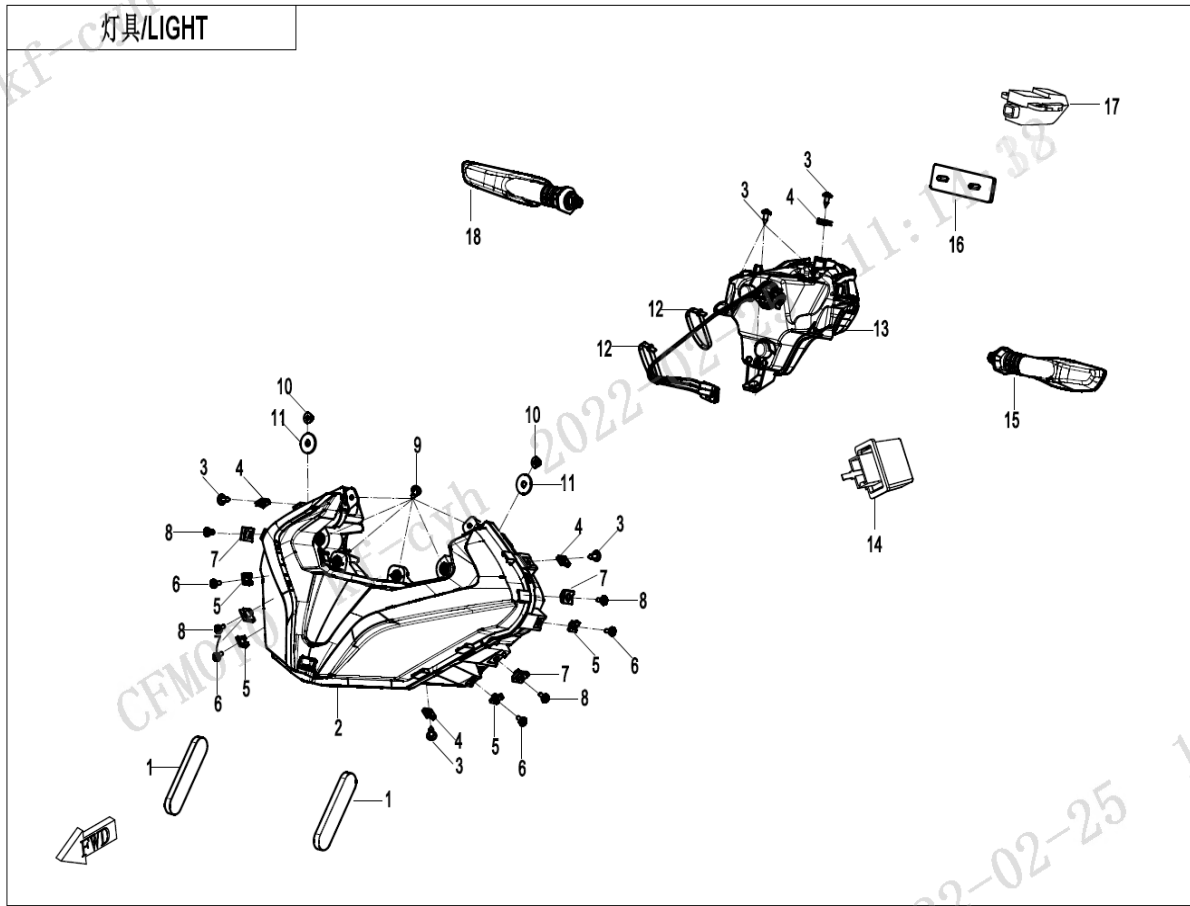
Item No.	Parts Number	Parts Name (EN)	Qty	Specification
1	6AQV-150100-1004	MAIN CABLE	1	
01	6AQV-150100-1006	MAIN CABLE	1	
2	806A-151302	FUSE 10A	3	10A
3	806A-151307	25A FUSE	1	
4	806A-151305	FUSE 15A	3	15A
5	8010-151301	FUSE 5A	2	5A
6	6KMV-151200-8501	SIDE STAND SWITCH	1	
6	6KMV-151500-3000	SIDE STAND ASSY	1	
7	8010-090005	BOLT M6x16	7	M6x16
8	801F-100101	TIE BAND	5	
9	6AQV-001000-1000	ECU ASSY	1	
10	6NT1-150600	HORN	1	
11	30006-080016870	BOLT	1	
12	6GUV-151800-6801-M1	T-BOX	1	
12	6GUV-151800-6901-M1	T-BOX	1	
12	6GUV-151800-7101-M1	T-BOX	1	
12	6GUV-151800-7301-M1	T-BOX	1	AllyTech@South America except for Brazil
12	6GUV-151800-7501-M1	T-BOX	1	AllyTech@Eurasia and Africa and Australia except Turkey
12	SN1V-691100-1301-11	T-BOX	1	
12	6GUV-151800-7502-M1	T-BOX	1	AllyTech@Eurasia and Africa and Australia except Turkey
12	SN1V-691100-1201-11	T-BOX	1	AllyTech@Eurasia and Africa and Australia except Turkey
12	SN1V-691100-1401-11	T-BOX	1	AllyTech@South America except for Brazil
12	SN1V-691100-1500-11	T-BOX	1	
13	6KMV-150901-B001	RUBBER RING, T-BOX	2	
14	0HUJ0-176000	OXYGEN SENSOR	2	
15	A000-030005	TIE BAND BRACKET, TOOLS KIT	2	
16	8010-150003	TIE	13	5x250
17	6100-150500	RUBBER SLEEVE, FLASHER	1	
18	6AQV-151000-1000	REGULATOR	1	
19	6AQV-150420-1001	NEGATIVE CABLE, BATTERY	1	
20	9010-120008	FUEL TANK SPONGE	6	
21	9CR6-150310	STARTER RELAY	1	
22	9010-150002	RUBBER RING, AUXILIARY RELAY	4	
23	5BY4-150330	AUXILIARY RELAY	4	
24	6AQV-151610-1000	BATTERY	1	
24	31021200	BATTERY	1	12V12AH
25	0180-014010	WIRE CLIP	2	
26	30202-060110	NUT M6	1	M6
27	8080-000002	CLIP NUT ST4.8	2	ST4.8
28	30110-481130010	SELF-TAPPING SCREW ST4.8x13	4	ST4.8x13
29	6060-150700	TIE BAND, BATTERY	1	
30	6AQV-161000-1000	FLASHER	1	
31	6KJ0-150600	SENSOR, ROLL-OVER	1	
32	6AQV-150310-1000	POSITIVE CABLE, STARTER MOTOR	1	



F15-B ELECTRIC SYSTEM

Item No.	Parts Number	Parts Name (EN)	Qty	Specification
1	6AQV-150100-1001-10	MAIN CABLE	1	
01	6AQV-150100-1003-10	MAIN CABLE	1	
2	806A-151302	FUSE 10A	3	10A
3	806A-151307	25A FUSE	1	
4	806A-151305	FUSE 15A	3	15A
5	8010-151301	FUSE 5A	2	5A
6	6KMV-151200-8501	SIDE STAND SWITCH	1	
6	6KMV-151500-3000	SIDE STAND ASSY	1	
7	8010-090005	BOLT M6x16	7	M6x16
8	801F-100101	TIE BAND	5	
9	6AQV-001000-1000	ECU ASSY	1	
10	6NT1-150600	HORN	1	
11	30006-080016870	BOLT	1	
12	6GUV-151800-6801-M1	T-BOX	1	
12	6GUV-151800-6901-M1	T-BOX	1	
12	6GUV-151800-7101-M1	T-BOX	1	
12	6GUV-151800-7301-M1	T-BOX	1	AllyTech@South America except for Brazil
12	6GUV-151800-7501-M1	T-BOX	1	AllyTech@Eurasia and Africa and Australia except Turkey
12	SN1V-691100-1301-11	T-BOX	1	
12	6GUV-151800-7502-M1	T-BOX	1	AllyTech@Eurasia and Africa and Australia except Turkey
12	SN1V-691100-1201-11	T-BOX	1	AllyTech@Eurasia and Africa and Australia except Turkey
12	SN1V-691100-1401-11	T-BOX	1	AllyTech@South America except for Brazil
12	SN1V-691100-1500-11	T-BOX	1	
13	6KMV-150901-B001	RUBBER RING, T-BOX	2	
14	0HUJ0-176000	OXYGEN SENSOR	2	
15	A000-030005	TIE BAND BRACKET, TOOLS KIT	2	
16	8010-150003	TIE	13	5x250
17	6100-150500	RUBBER SLEEVE, FLASHER	1	
18	6NTV-151000-3000	REGULATOR	1	
19	6AQV-150420-1001	NEGATIVE CABLE, BATTERY	1	
20	9010-120008	FUEL TANK SPONGE	6	
21	9CR6-150310	STARTER RELAY	1	
22	9010-150002	RUBBER RING, AUXILIARY RELAY	4	
23	5BY4-150330	AUXILIARY RELAY	4	
24	6AQV-151610-1000	BATTERY	1	
24	31021200	BATTERY	1	12V12AH
25	0180-014010	WIRE CLIP	2	
26	30202-060110	NUT M6	1	M6
27	8080-000002	CLIP NUT ST4.8	2	ST4.8
28	30110-481130010	SELF-TAPPING SCREW ST4.8x13	4	ST4.8x13
29	6060-150700	TIE BAND, BATTERY	1	
30	6AQV-161000-1000	FLASHER	1	
31	6KJ0-150600	SENSOR, ROLL-OVER	1	
32	6AQV-150310-1000	POSITIVE CABLE, STARTER MOTOR	1	

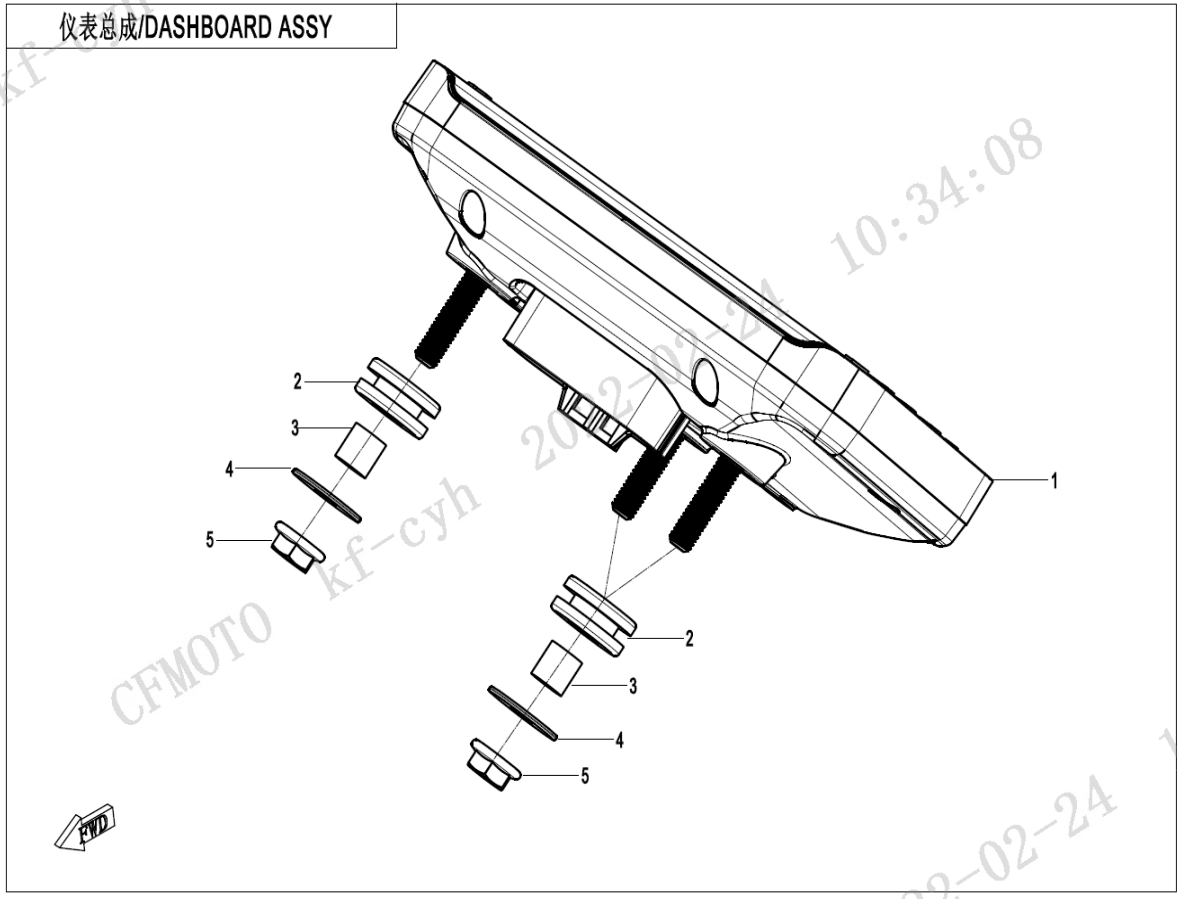
灯具/LIGHT



F16 LIGHTS

Item No.	Parts Number	Parts Name(EN)	Qty	Specification
01	6KM#-050030-8100	SIDE REFLECTOR	2	
02	6AQV-160100-1003	HEADLIGHT ASSY	1	
02	6AQV-160100-1005	HEADLIGHT ASSY	1	
02	6AQV-160100-1006	HEADLIGHT ASSY	1	
03	30110-481130070	SELF-TAPPING SCREW	6	
04	8080-000002	CLIP NUT ST4.8	4	ST4.8
05	6KM#-040081-8000-M1	NUT CLIP M5	4	
06	6WWV-047102-5000	INNER HEX SCREW M5x14	4	
07	8030-040800-00001	NUT CLIP M6	4	M6
08	6WWV-046801-5000	SCREW	4	
09	30110-480160010	SCREW	6	ST4.8x16
10	30202-060110	NUT M6	2	M6
11	30301-060412	WASHER	4	6
12	801F-100101	TIE BAND	2	
13	6AQV-160200-1001	TAIL LIGHT	1	
13	6AQV-160200-1002	TAILLIGHT	1	
14	6AQV-161000-1000	FLASHER	1	
15	6KM0-160400-00004	FRONT TURN LIGHT, LH	1	
16	6KM0-160230-00001	REAR REFLECTOR	1	
17	6FIV-160600-6601	LICENSE LIGHT	1	
18	6KM0-160500-00004	FRONT TURN LIGHT, RH	1	

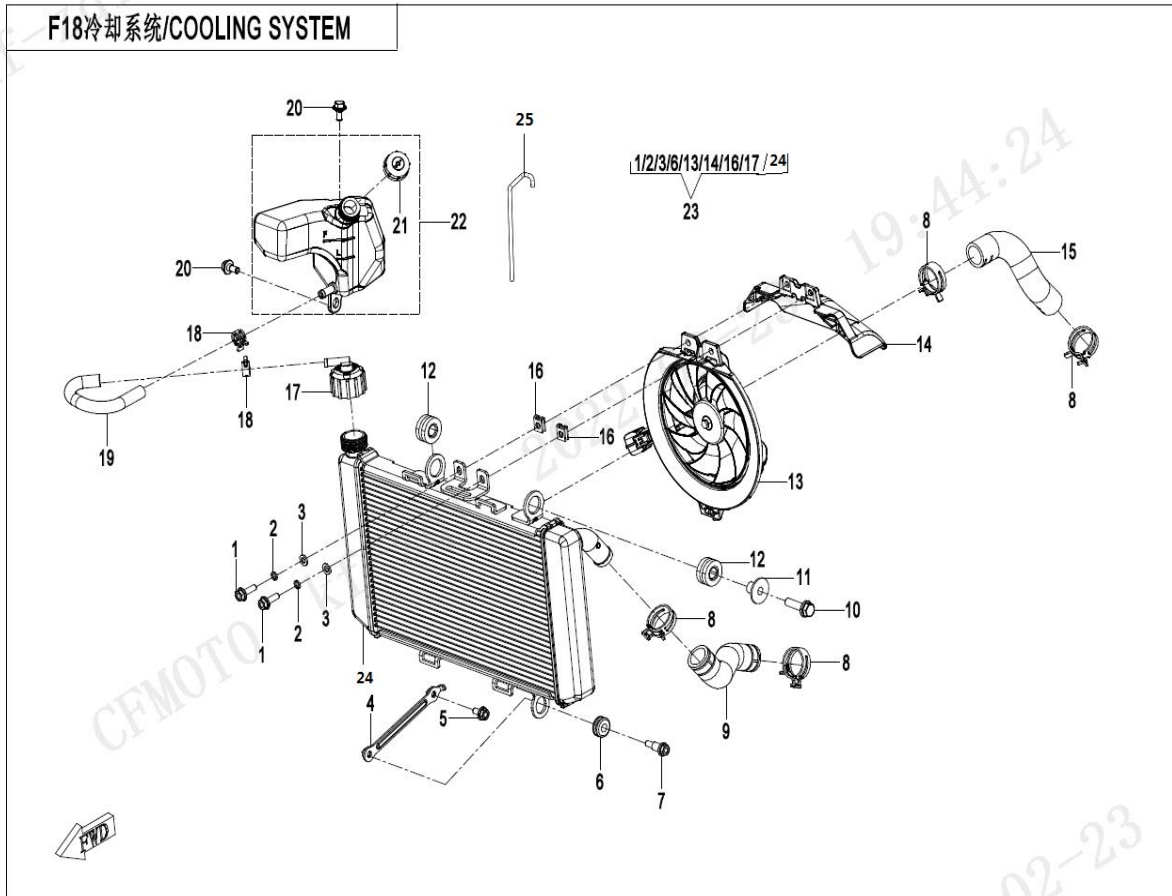
仪表总成/DASHBOARD ASSY



F17 DASHBOARD

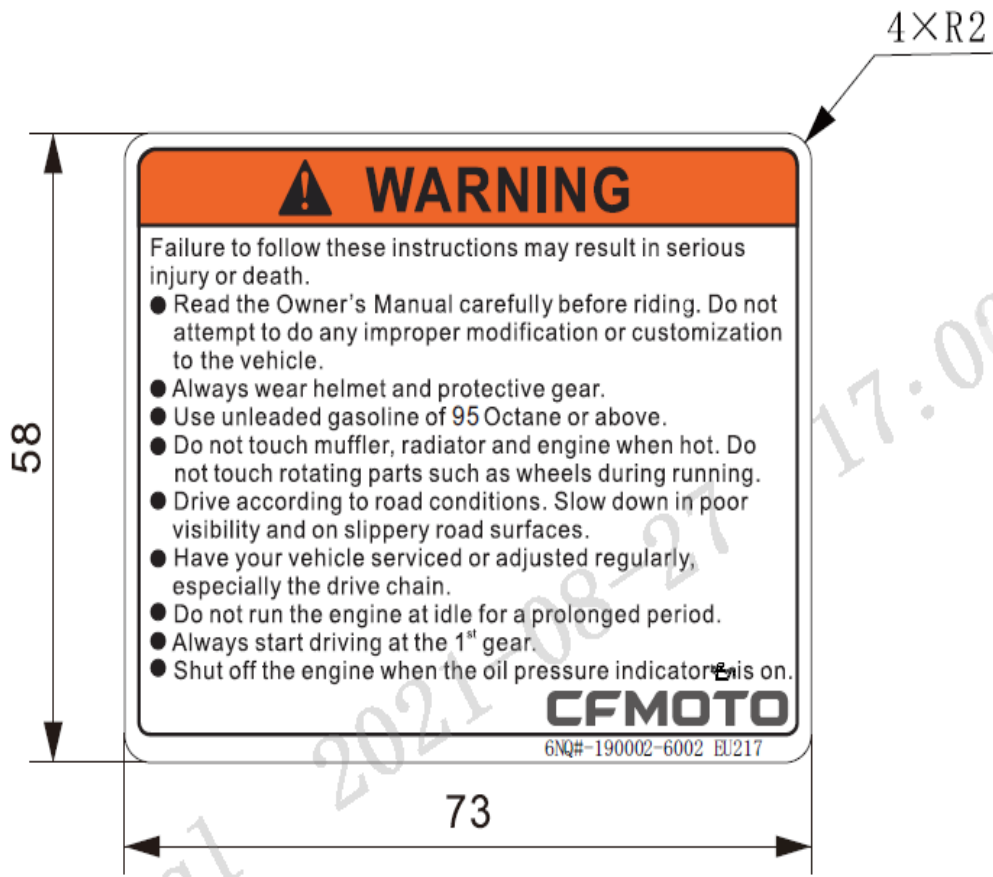
Item No.	Parts Number	Parts Name(EN)	Qty	Specification
01	6AQV-171000-1000	LCD DASHBOARD	1	
02	6090-040302	RUBBER DAMPER	3	
03	6090-040303	BUSHING	3	
04	30305-060112	WASHER	3	6
05	30202-060110	NUT M6	3	M6

F18冷却系统/COOLING SYSTEM



F18 COOLING SYSTEM

Item No.	Parts Number	Parts Name(EN)	Qty	Specification
01	30006-060020810	BOLT M6x20	2	M6x20
02	30303-060010	WASHER	2	6
03	30304-060410	WASHER	2	
04	6AQV-180010-1000	CONNECTING BRACKET	1	
05	30006-060012870	BOLT M6x12	1	M6x12
06	6WWV-181001-5000	DAMPING MAT, RADIATOR	1	
07	6WWV-180008-5000	STEPPED SCREW M6x25	1	
08	30601-229060	CLAMP	4	
09	6AQV-180001-1000	WATER INLET PIPE, RADIATOR	1	
10	30006-080030870	BOLT M8x30	1	
11	A000-180010-20000	BUSHING, RADIATOR DAMPER	1	
12	A000-180005	DAMPER2, RADIATOR	2	
13	6AQV-181200-1000	FAN MOTOR	1	
14	6AQV-181000-1000-20	DEFLECTOR	1	
15	6AQV-180002-1000	WATER OUTLET PIPE, RADIATOR	1	
16	8030-040800-00001	NUT CLIP M6	2	M6
17	6GUV-181010-6001	FILLER CAP ASSY	1	
18	30601-212570	CLAMP	2	
19	6AQV-180003-1000	CONNECTING PIPE, RESERVOIR	1	
20	8010-000004	BOLT M6x14	2	M6x14
21	6AQV-180110-1000	RESEVOIR COVER	1	
22	6AQV-180100-1001	RESERVOIR TANK	1	
23	6AQV-181000-1000	RADIATOR FAN	1	
24	6AQV-181100-1000	RADIATOR ASSY	1	
25	6AQV-180004-1000	OVERFLOW HOSE, RESERVOIR	1	



F19-1 WARNING DECAL

Item No.	Parts Number	Parts Name(EN)	Qty	Specification
1	6NQ#-190002-6002	INSTRUCTION LABEL, SAFETY WARNING	1	

虚线线
 刀痕线
 PP胶纹
 180%深空灰
 星光黑
 光深灰
 星光白
 海豚夏日蓝

CF400-6 星光黑配色贴花

6AQV-190100-1002-11 个性贴花总成

光白亮光
 光白哑光
 透明亮光
 透明哑光



备注：图纸中标注材料为我司推荐材料，允许使用其他满足使用要求或性能与推荐材料相当的材料。

序号	物料	名称	尺寸	数量	附件	表面处理	包装规格	包装附件	备注
01	6AQV-190101-1000-10	左车体覆盖贴花	20000	1	750ED	星光亮	100张/包	贴附件	送胶
02	6AQV-190102-1000-10	右车体覆盖贴花	20000	1	750ED	星光亮	100张/包	贴附件	送胶
03	6AQV-190103-1001-10	CFMOTO贴花	20000	1	750ED	星光亮	100张/包	贴附件	送胶
04	6AQV-190104-1001-10	模型贴花	1500	2	750ED	星光亮	100张/包	贴附件	送胶
05	6AQV-190105-1001-11	商业名称贴花	11000	2	3M 2008	星光亮	100张/包	贴附件	星光哑
06	6AQV-190106-1000-11	尾灯左护罩贴花	900	1	3M 2008	星光亮	100张/包	贴附件	星光哑
07	6AQV-190107-1000-11	尾灯右护罩贴花	900	1	3M 2008	星光亮	100张/包	贴附件	星光哑
08	6AQV-190108-1002-11	左散热器罩贴花I	2500	1	750ED	星光亮	100张/包	贴附件	星光哑
09	6AQV-190109-1002-11	右散热器罩贴花I	2500	1	750ED	星光亮	100张/包	贴附件	星光哑
10	6AQV-190110-1002-11	左散热器罩贴花II	4300	1	750ED	星光亮	100张/包	贴附件	星光哑
11	6AQV-190111-1002-11	右散热器罩贴花II	4300	1	750ED	星光亮	100张/包	贴附件	星光哑
12	6AQV-190112-1000-11	散热器罩左内罩贴花	3200	1	750ED	星光亮	100张/包	贴附件	送胶
13	6AQV-190113-1000-11	散热器罩右内罩贴花	3200	1	750ED	星光亮	100张/包	贴附件	送胶
14	6AQV-190114-1002-11	散热器罩左护罩贴花	4100	1	750ED	星光亮	100张/包	贴附件	星光哑
15	6AQV-190115-1002-11	散热器罩右护罩贴花	4100	1	750ED	星光亮	100张/包	贴附件	星光哑
16	6AQV-190116-1000-11	发动机护罩贴花	4300	1	750ED	星光亮	100张/包	贴附件	星光哑
17	6AQV-190117-1001-11	左轮圈贴花1	2500	2	750ED	星光亮	100张/包	贴附件	送胶
18	6AQV-190118-1001-11	右轮圈贴花1	2500	2	750ED	星光亮	100张/包	贴附件	送胶
19	6AQV-190119-1001-11	左轮圈贴花2	4700	2	3M 2008	星光亮	100张/包	贴附件	星光哑
20	6AQV-190120-1001-11	右轮圈贴花2	4700	2	3M 2008	星光亮	100张/包	贴附件	星光哑

F19-A DECAL KITS (NEBULA BLACK)

Item No.	Parts Number	Parts Name(EN)	Qty	Specification
1	6AQV-190101-1000-10	DECAL, LH VEHICLE COVER	1	
2	6AQV-190102-1000-10	DECAL, RH VEHICLE COVER	1	
3	6AQV-190103-1001-10	CFMOTO DECAL	1	
4	6AQV-190104-1001-10	MODEL DECAL	2	
5	6AQV-190105-1001-11	COMMERCIAL NAME DECAL	2	
6	6AQV-190106-1000-11	DECAL, TAIL LIGHT LH GUARD	1	
7	6AQV-190107-1000-11	DECAL, TAIL LIGHT RH GUARD	1	
8	6AQV-190108-1002-11	LH RADIATOR PANEL DECAL I	1	
9	6AQV-190109-1002-11	RH RADIATOR PANEL DECAL I	1	
10	6AQV-190110-1002-11	LH RADIATOR PANEL DECAL II	1	
11	6AQV-190111-1002-11	RH RADIATOR PANEL DECAL II	1	
12	6AQV-190112-1000-11	DECAL, RADIATOR LH INNER PANEL	1	
13	6AQV-190113-1000-11	DECAL, RADIATOR RH INNER PANEL	1	
14	6AQV-190114-1002-11	LH RADIATOR PANEL DECAL III	1	
15	6AQV-190115-1002-11	RH RADIATOR PANEL DECAL III	1	
16	6AQV-190116-1000-11	DECAL, ENGINE SKID PLATE	1	
17	6AQV-190117-1001-11	DECAL 1, LH RIM	2	
18	6AQV-190118-1001-11	DECAL 1, RH RIM	2	
19	6AQV-190119-1001-11	DECAL 2, LH RIM	2	
20	6AQV-190120-1001-11	DECAL 2, RH RIM	2	

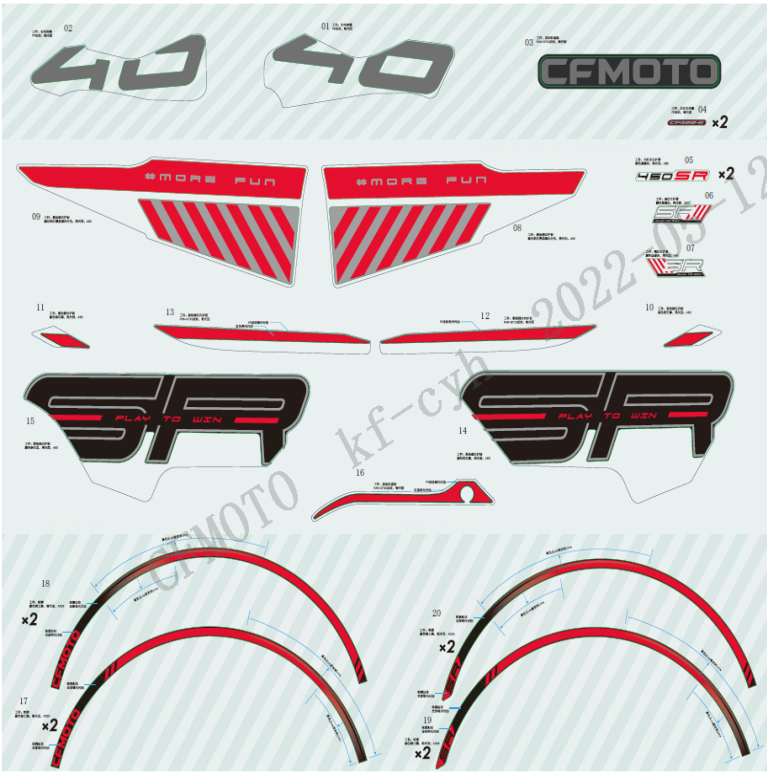
CF400-6 锆石黑配色贴花

6AQV-190100-1002-10 个性贴花总成

— 轮廓线
— 刀模线
 PP皮校
 180%深空灰
 锆石黑
 漆感灰
 电光银
 岩家红

光白亮光
 光白哑光
 透明亮光
 透明哑光

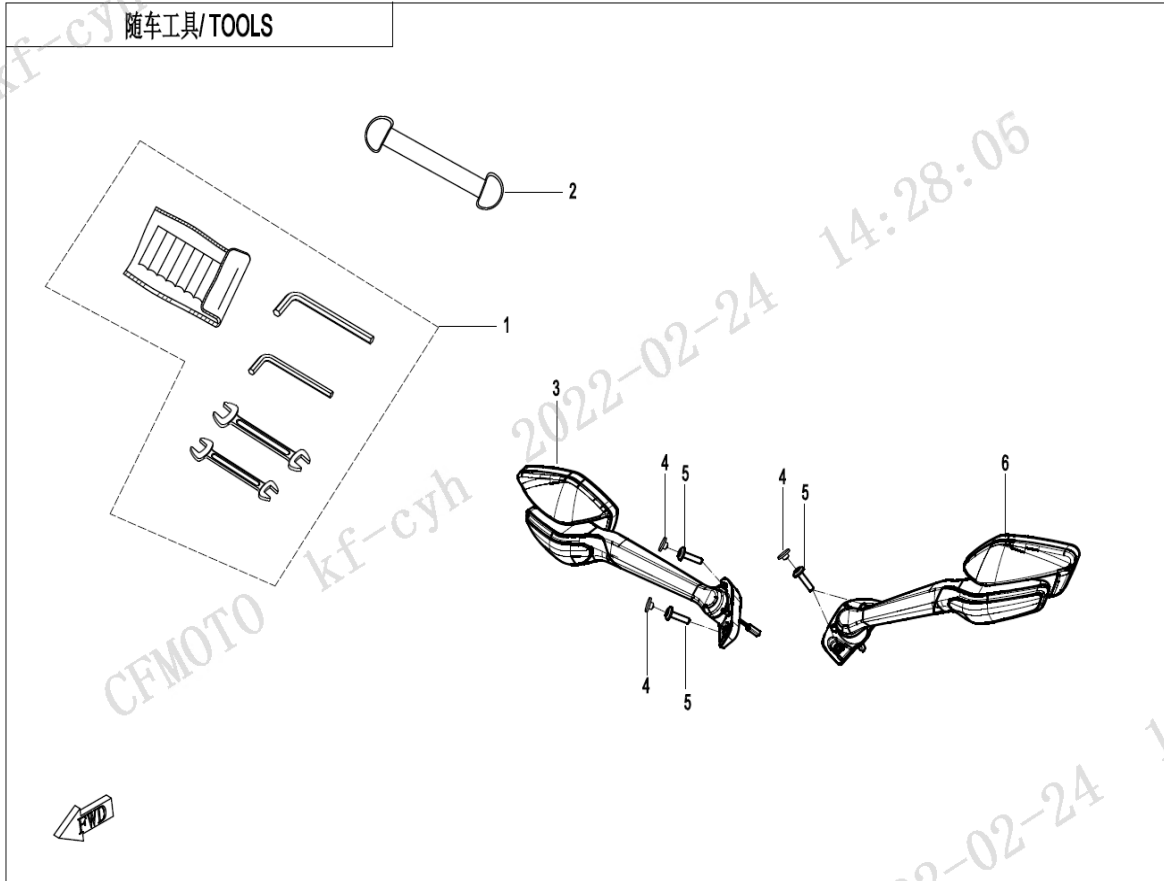
备注：图纸中标注材料为我司推荐材料，允许使用其他满足使用要求或性能与推荐材料相当的材料。



序号	物料	名称	尺寸	数量	材料	表面处理	粘贴位置	粘贴面积	粘贴面积	粘贴面积
01	6AQV-190101-1000-10	左车壳贴花	20363	1	708ED	光白亮光	150°哑光	贴附件	点胶	
02	6AQV-190102-1000-10	右车壳贴花	20363	1	708ED	光白亮光	150°哑光	贴附件	点胶	
03	6AQV-190103-1001-10	CFMOTO贴花	20363	1	708ED	光白亮光	150°哑光	贴附件	点胶	
04	6AQV-190104-1001-10	型号贴花	5940	2	708ED	光白亮光	150°哑光	贴附件	点胶	
05	6AQV-190105-1000-10	商业名称贴花	11141	2	708ED	光白亮光	150°哑光	贴附件	点胶	
06	6AQV-190106-1000-10	尾灯左护罩贴花	5940	1	708ED	光白亮光	150°哑光	贴附件	点胶	
07	6AQV-190107-1000-10	尾灯右护罩贴花	5940	1	708ED	光白亮光	150°哑光	贴附件	点胶	
08	6AQV-190108-1001-10	散热器左护罩贴花 I	13912	1	708ED	光白亮光	150°哑光	贴附件	点胶	
09	6AQV-190109-1001-10	散热器右护罩贴花 I	13912	1	708ED	光白亮光	150°哑光	贴附件	点胶	
10	6AQV-190110-1001-10	散热器左护罩贴花 II	13912	1	708ED	光白亮光	150°哑光	贴附件	点胶	
11	6AQV-190111-1001-10	散热器右护罩贴花 II	13912	1	708ED	光白亮光	150°哑光	贴附件	点胶	
12	6AQV-190112-1000-10	散热器左内护罩贴花	13912	1	708ED	光白亮光	150°哑光	贴附件	点胶	
13	6AQV-190113-1000-10	散热器右内护罩贴花	13912	1	708ED	光白亮光	150°哑光	贴附件	点胶	
14	6AQV-190114-1001-10	散热器左护罩贴花 III	13912	1	708ED	光白亮光	150°哑光	贴附件	点胶	
15	6AQV-190115-1001-10	散热器右护罩贴花 III	13912	1	708ED	光白亮光	150°哑光	贴附件	点胶	
16	6AQV-190116-1000-10	发动机护罩贴花	22362	1	708ED	光白亮光	150°哑光	贴附件	点胶	
17	6AQV-190117-1001-10	左轮圈贴花 1	175188	2	6000000 000	光白亮光	150°哑光	贴附件	点胶	
18	6AQV-190118-1001-10	右轮圈贴花 1	175188	2	6000000 000	光白亮光	150°哑光	贴附件	点胶	
19	6AQV-190119-1001-10	左轮圈贴花 2	175188	2	6000000 000	光白亮光	150°哑光	贴附件	点胶	
20	6AQV-190120-1001-10	右轮圈贴花 2	175188	2	6000000 000	光白亮光	150°哑光	贴附件	点胶	

F19-B DECAL KITS (ZIRCON BLACK)

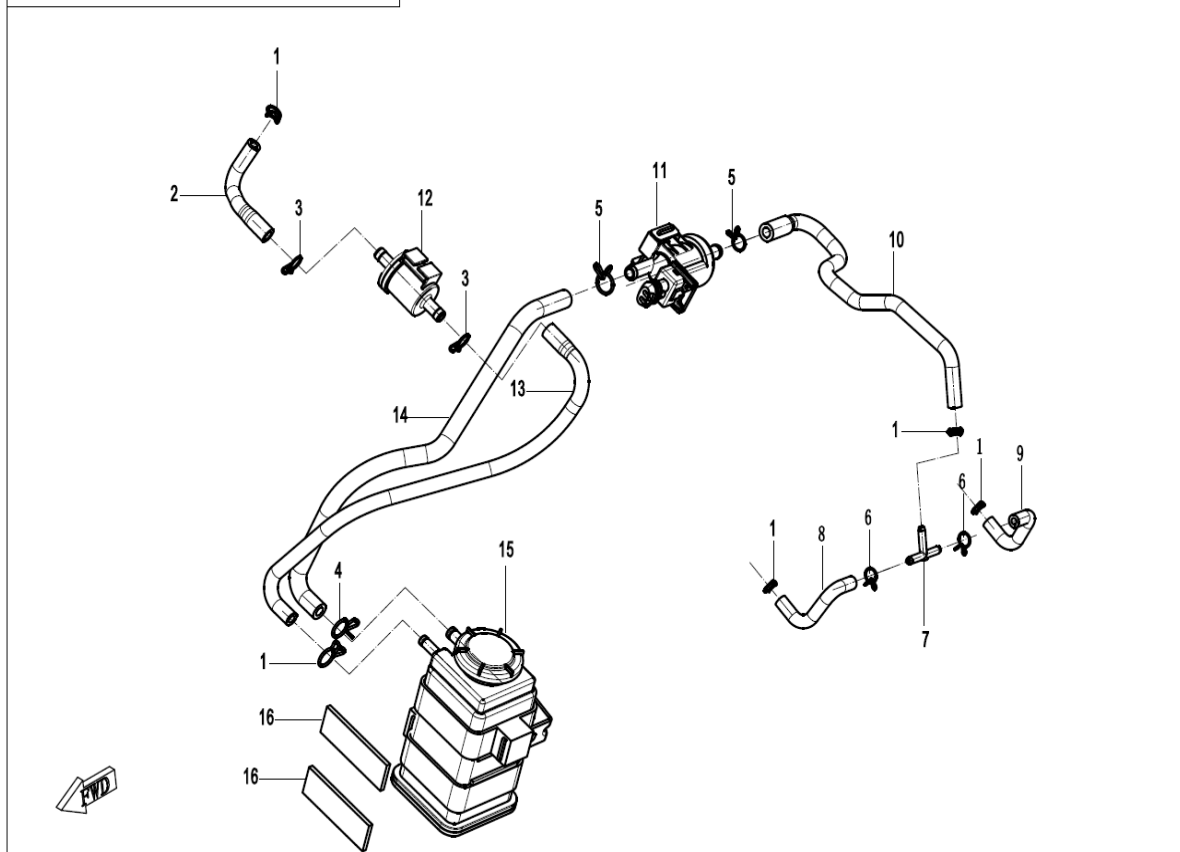
Item No.	Parts Number	Parts Name(EN)	Qty	Specification
1	6AQV-190101-1000-10	DECAL, LH VEHICLE COVER	1	
2	6AQV-190102-1000-10	DECAL, RH VEHICLE COVER	1	
3	6AQV-190103-1001-10	CFMOTO DECAL	1	
4	6AQV-190104-1001-10	MODEL DECAL	2	
5	6AQV-190105-1000-10	COMMERCIAL NAME DECAL	2	
6	6AQV-190106-1000-10	DECAL, TAIL LIGHT LH GUARD	1	
7	6AQV-190107-1000-10	DECAL, TAIL LIGHT RH GUARD	1	
8	6AQV-190108-1001-10	LH RADIATOR PANEL DECAL I	1	
9	6AQV-190109-1001-10	RH RADIATOR PANEL DECAL I	1	
10	6AQV-190110-1001-10	LH RADIATOR PANEL DECAL II	1	
11	6AQV-190111-1001-10	RH RADIATOR PANEL DECAL II	1	
12	6AQV-190112-1000-10	DECAL, RADIATOR LH INNER PANEL	1	
13	6AQV-190113-1000-10	DECAL, RADIATOR RH INNER PANEL	1	
14	6AQV-190114-1001-10	LH RADIATOR PANEL DECAL III	1	
15	6AQV-190115-1001-10	RH RADIATOR PANEL DECAL III	1	
16	6AQV-190116-1000-10	DECAL, ENGINE SKID PLATE	1	
17	6AQV-190117-1001-10	DECAL 1, LH RIM	2	
18	6AQV-190118-1001-10	DECAL 1, RH RIM	2	
19	6AQV-190119-1001-10	DECAL 2, LH RIM	2	
20	6AQV-190120-1001-10	DECAL 2, RH RIM	2	



F20 TOOLS

Item No.	Parts Number	Parts Name(EN)	Qty	Specification
01	6AQV-200100-1000	TOOL KIT	1	
02	8010-000012	TIE BAND ASSY	1	
03	6AQV-200300-1001	RH REAR VIEW MIRROR	1	
04	6KM#-200003-8001	PLUG	4	
05	30102-060020870	INNER HEX SCREW M6×20	4	M6×20
06	6AQV-200200-1001	LH REAR VIEW MIRROR	1	

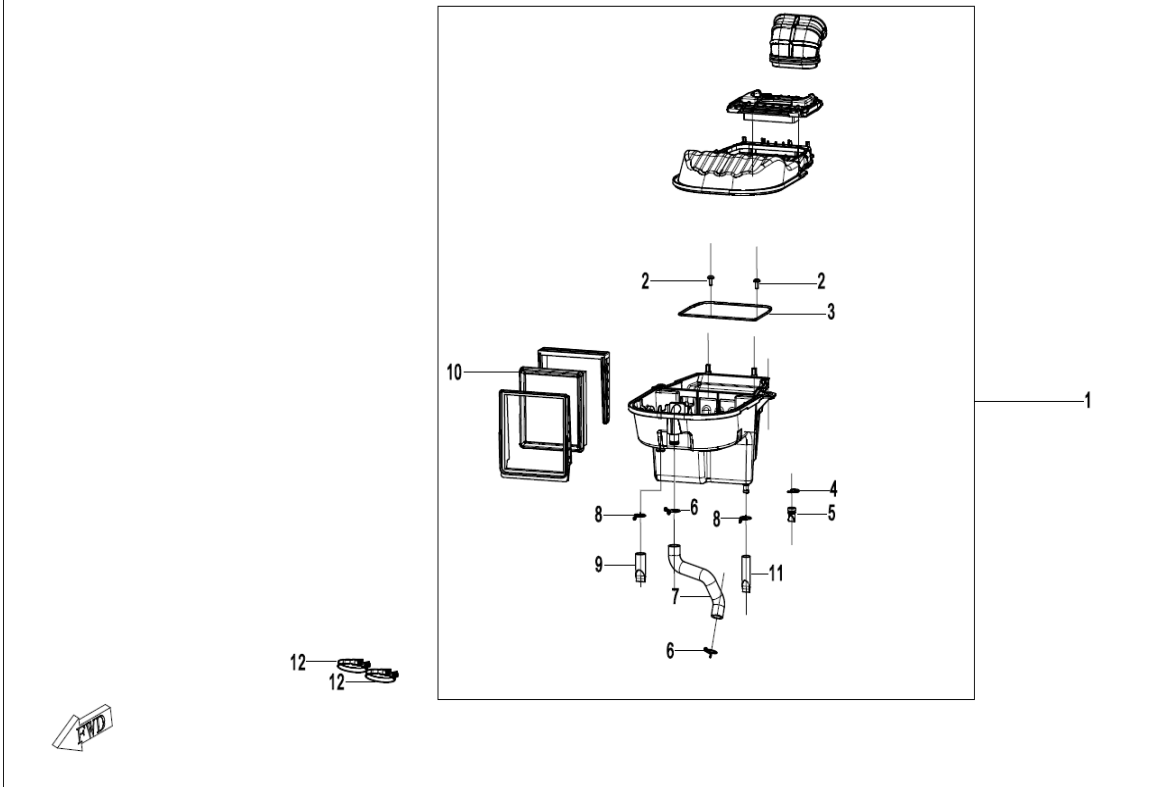
燃油蒸发系统/FUEL EVAPORATION SYSTEM



F36 FUEL VAPORIZATION SYSTEM

Item No.	Parts Number	Parts Name(EN)	Qty	Specification
1	30601-109010	CLAMP A9	5	
2	6AQV-360001-1000	FUEL VAPOR ADSORPTION HOSE 1	1	
3	30601-110010	CLAMP A10	2	A10
4	30601-111010	CLAMP A11	1	A11
5	30601-112010	CLAMP A12	2	A12
6	30601-108010	CLAMP A8	2	A8
7	8010-360001	VACUUM T-JOINT	1	
8	6AQV-360007-1000	LH FUEL VAPOR DESORPTION HOSE	1	
9	6AQV-360008-1000	RH FUEL VAPOR DESORPTION HOSE	1	
10	6AQV-360004-1000	FUEL VAPOR DESORPTION HOSE 2	1	
11	1F30-172000	CANISTER MAGNETIC VALVE	1	
12	6WWV-360010-5000	TWO-WAY VALVE	1	
13	6AQV-360002-1000	FUEL VAPOR ADSORPTION HOSE 2	1	
14	6AQV-360003-1000	FUEL VAPOR DESORPTION HOSE 1	1	
15	6L30-360200	CANISTER	1	
16	4020-040202	SPONGE, FRONT VENTILATION PLATE	2	

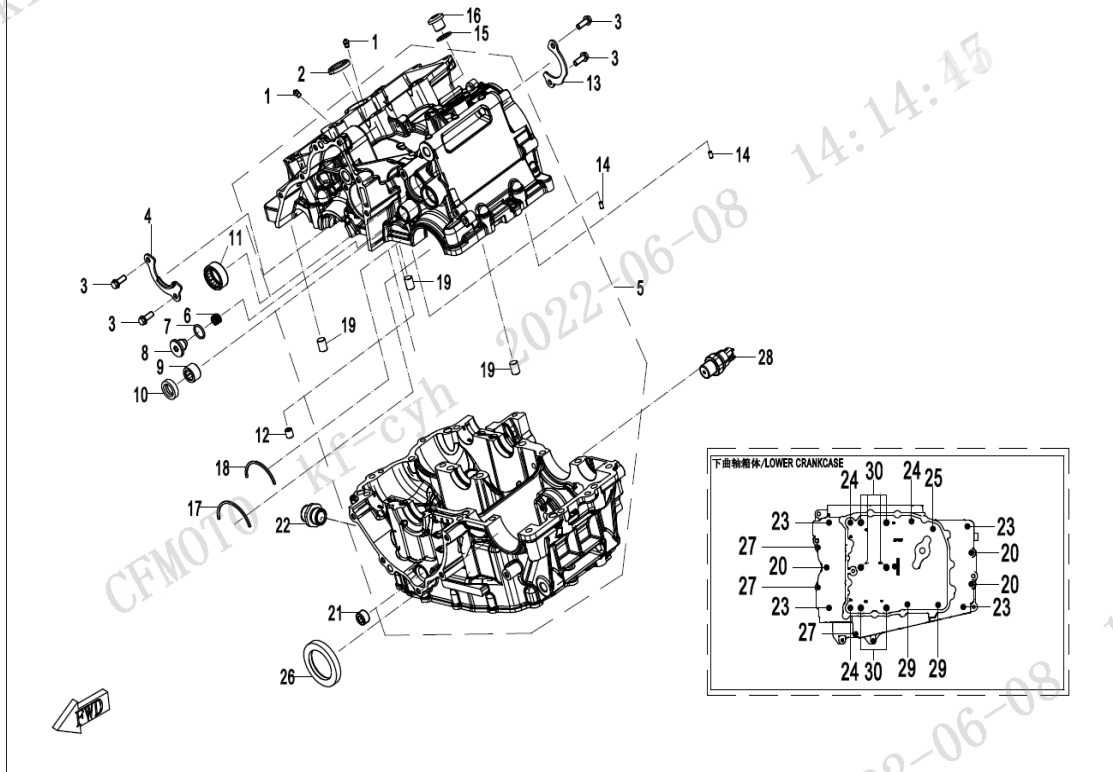
空滤器组/AIR FILTER ASSY



F41 AIR FILTER ASSY

Item No.	Parts Number	Parts Name(EN)	Qty	Specification
1	OSQV-110000-1001	AIR FILTER	1	
2	6NTA-040202	INNER HEX SCREW M5x12	2	M5x12
3	OSQV-110000-1000-20	SEAL RING	1	
4	30601-111010	CLAMP A11	1	A11
5	OSQV-110000-1000-21	VALVE	1	
6	30601-118010	CLAMP A18	2	
7	OSQV-110008-1000	BREATHER HOSE, CRANKCASE	1	
8	30601-117010	CLAMP A17	2	A17
9	OSQV-110000-1000-24	STORAGE HOSE	1	
10	OSQV-112000-1000	FILTER ELEMENT	1	
11	OSQV-110000-1000-25	OIL STORAGE HOSE	1	
12	0120-110003	CLAMP 52	2	

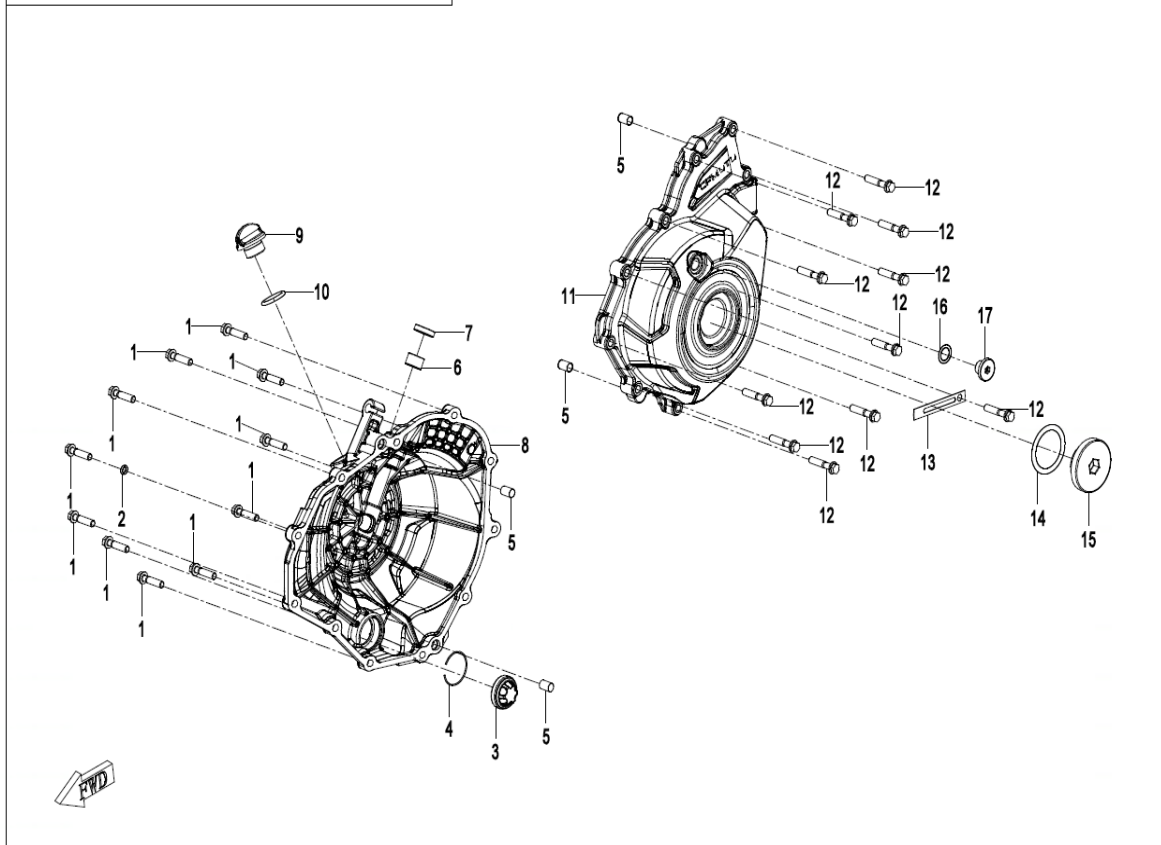
上曲轴箱分总成和下曲轴箱分总成/UPPER & LOWER CRANKCASE



E01-1 UPPER & LOWER CRANKCASE ASSY

Item No.	Parts Number	Parts Name(EN)	Qty	Specification
01	0SQV-011102-1000	OIL NOZZLE	2	Dia 0.7
02	0SQV-011104-1000	SEAL RING, FILLER	1	
03	0010-090005-0010	BOLT M6x16	4	M6x16
04	0SQV-011105-1000	BEARING GUARD, LH	1	
05	0SQV-01FZ01-1002-0BP00	CRANKCASE	1	MAUD SPIRIT BLACK
05	0SQV-01FZ01-1002-0D300	CRANKCASE	1	
06	0SQV-060011-1000	BEARING SLEEVE	2	
07	0SQV-011107-1000	O-RING	1	15x1.9
08	0SQV-011108-1000	COVER, FORK SHAFT	1	
09	30403-01400	NEEDLE BEARING	1	
10	1F30-011600	OIL SEAL 14x24x6	1	
11	30403-02500	BEARING	1	
12	0SQV-011103-1000	RESTRICTION PLUG	1	
13	0SQV-011106-1000	BEARING GUARD, RH	1	
14	30406-00401	ROLLER NEEDLE P4x7.8	2	P4x7.8
15	0180-011006	GASKET 14	1	14
16	0180-021008-00001	BOLT	1	
17	0SQV-011004-1000	RETAINER, BEARING	1	
18	0SQV-011003-1000	RETAINER, BEARING	1	
19	30410-01000	ROLLER 10x14	3	10X14
20	0SQV-012003-1000	BOLT M8x45	3	M8x45
21	0700-012105-00001	PLUG, MAIN OIL RAIL	1	
22	0700-012106-00002	BOLT, OIL FILTER	1	
23	0SQV-012002-1000	BOLT M8x65	4	M8x65
24	0SQV-012500-1000	BOLT KIT M8x105	3	M8x105
25	0SQV-012600-1000	BOLT KIT M8x55	1	M8x55
26	0SQV-010001-1000	OIL SEAL, COUNTERSHAFT	1	40x58x8
27	0010-060012-0010	BOLT M6x30	3	M6x30
28	0SQV-012400-1000	OIL PRESSURE SWITCH	1	
29	0SQV-012700-1000	BOLT KIT M8x45	2	M8x45
30	0SQV-012200-1000	BOLT KIT M9x108	6	M9x108

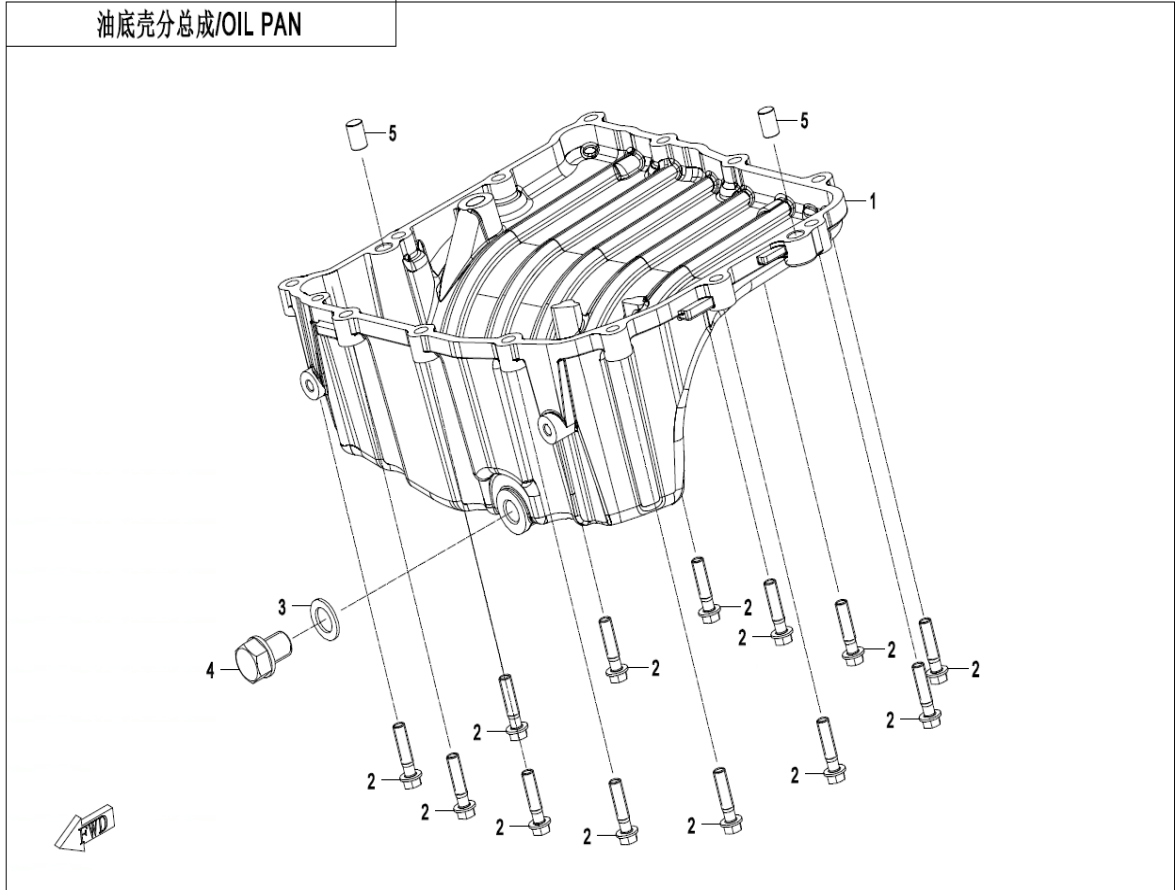
右&左侧盖分总成/RIGHT&LEFT SIDE COVER



E01-2 LEFT& RIGHT SIDE COVER

Item No.	Parts Number	Parts Name(EN)	Qty	Specification
01	0010-021017-0010	BOLT M6x25	11	M6x25
02	0700-012201	O-SEAL RING 5x2	1	5x2
03	0SQV-013100-1000-M1	VIEWER, OIL LEVEL	1	
04	0SQV-013001-1000	CIRCLIP	1	
05	30410-00800	ROLLER	4	
06	30403-01200	NEEDLE BEARING HK1210	1	HK1210
07	0010-080009	OIL SEAL	1	12x20x5
08	0SQV-013005-1000-0D300	RH SIDE COVER	1	MIST SILVER BLACK
09	0700-013008	PLUG, OIL FILLING	1	
10	0110-013030	O-SEAL RING 18x3.55	1	18x3.55
11	0SQV-014001-1000-0D300	LH SIDE COVER	1	MIST SILVER BLACK
12	0010-060012-0010	BOLT M6x30	11	M6x30
13	0180-014010	WIRE CLIP	1	
14	01A0-012003	O-SEAL RING 35x3.5	1	35x3.5
15	01A0-012002-0D300	STRAINER COVER	1	MIST SILVER BLACK
15	01A0-012002-0BP00	STRAINER COVER	1	MAUD SPIRIT BLACK
16	ODM0-011006	O-SEAL RING 13x2	1	
17	ODM0-014003	VIEWING HOLE, TIMING INSPECTION	1	

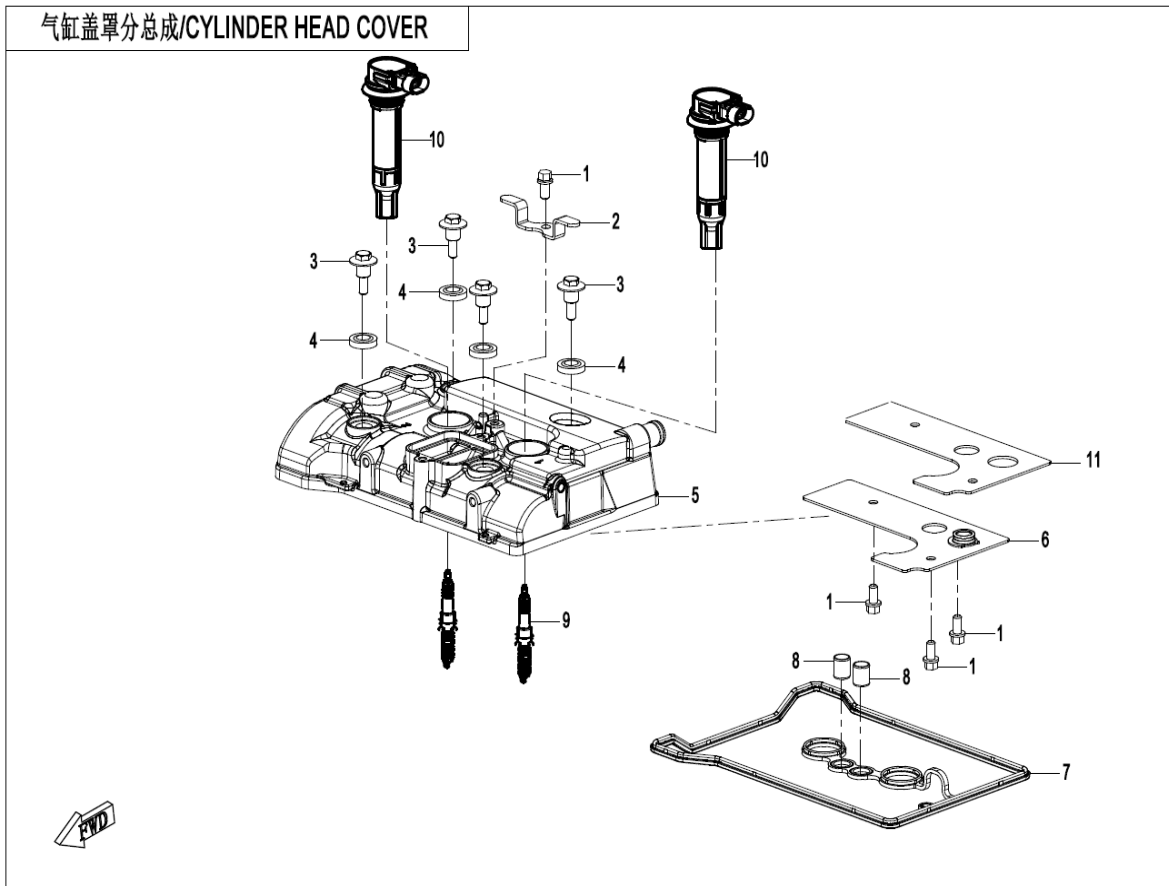
油底壳分总成/OIL PAN



E01-3 OIL PAN

Item No.	Parts Number	Parts Name(EN)	Qty	Specification
01	0SQV-015001-1000-0D300	OIL PAN	1	MIST SILVER BLACK
01	0SQV-015001-1000-0BP00	OIL PAN	1	MAUD SPIRIT BLACK
01	0SQV-015001-1001-0BP00	OIL PAN	1	MAUD SPIRIT BLACK
02	0010-021017-0010	BOLT M6x25	13	M6x25
03	0010-021014	WASHER 12	1	12
04	0180-011500	DRAIN BOLT, MAGNETIC M12X1.5	1	M12x1.5
05	30410-00800	ROLLER	2	

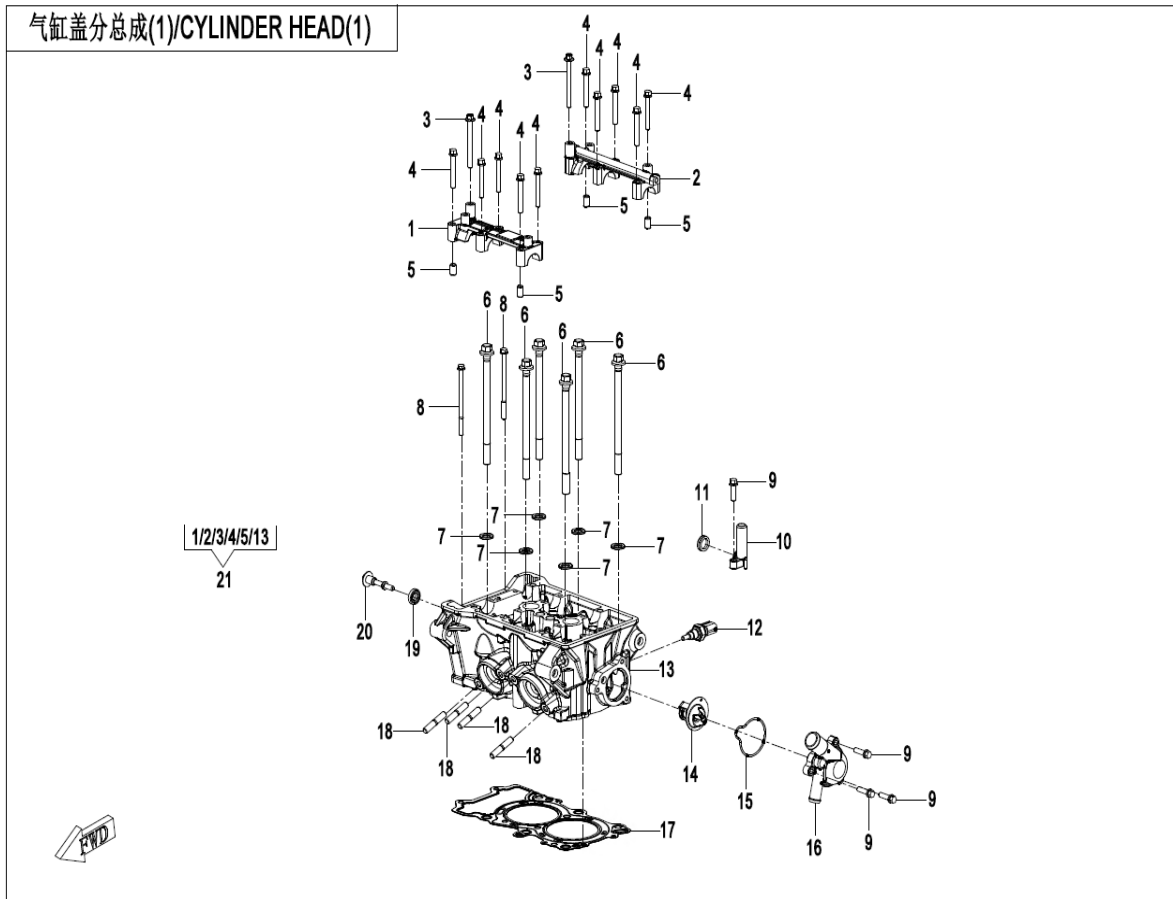
气缸盖罩分总成/CYLINDER HEAD COVER



E02-1 CYLINDER HEAD COVER

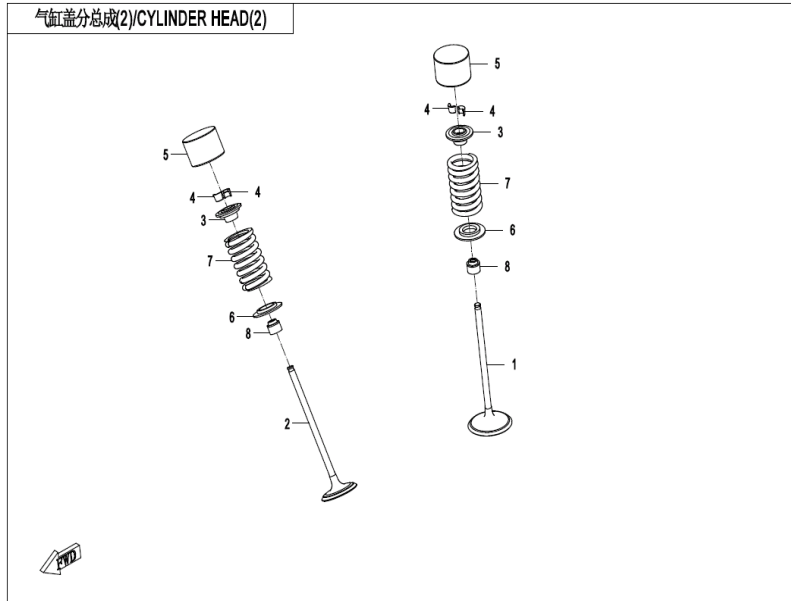
Item No.	Parts Number	Parts Name(EN)	Qty	Specification
01	0010-021019-0010	BOLT M6x12	4	M6x12
02	0SQV-021004-1000	PRESS PLATE	1	
03	0700-021003-00001	BOLT, CYLINDER HEAD COVER	4	
04	0700-021200	SEAL RING, CYLINDER HEAD COVER BOLT	4	
05	0SQV-021010-1000-0D300	CYLINDER HEAD COVER	1	MIST SILVER BLACK
05	0SQV-021010-1000-0BP00	CYLINDER HEAD COVER	1	MAUD SPIRIT BLACK
06	0SQV-021100-1000	PRESS PLATE	1	
07	0SQV-021002-1000	GASKET, CYLINDER HEAD COVER	1	
08	0HU0-021002	GULP PIN	2	
09	0SQV-170200-1000	SPARK PLUG	2	
10	0SQV-178000-1000	IGNITION COIL	2	
11	0SQV-021005-1000	LABYRINTH COVER GASKET	1	

气缸盖分总成(1)/CYLINDER HEAD(1)



E02-2 CYLINDER HEAD (1)

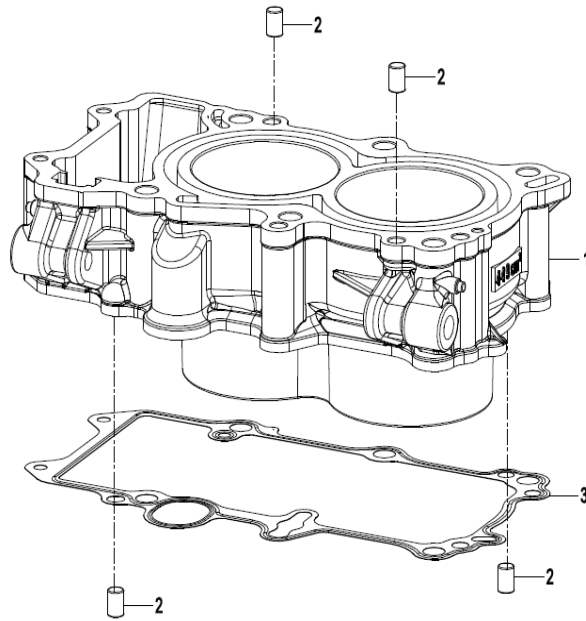
Item No.	Parts Number	Parts Name(EN)	Qty	Specification
03	0SQV-022105-1000	BOLT M6x65	2	M6x65
04	0SQV-022106-1000	HEX FLANGE BOLT M6x45	10	M6x45
05	0010-080008	DOWEL PIN	4	8X14
06	0SQV-022008-1000	BOLT M10x150, CYLINDER HEAD	6	M10x150
07	0700-022016	WASHER 10.5x19x2.3	6	10.5x19x2.3
08	0SQV-022011-1000	BOLT M6x90	2	M6x90
09	0010-023010-0010	BOLT M6x20	4	M6x20
10	0SQV-022200-1000	CONNECTOR ASSY.	1	
11	1F30-024016	OIL SEAL, SURFACE	1	
12	018B-022810	WATER TEMPERATURE SENSOR	1	
14	0MQ0-022500	THERMOSTAT	1	
15	0SQV-022002-1000	SEAL RING, THERMOSTAT CAP	1	
16	0SQV-022001-1000-0D300	THERMOSTAT CAP	1	MIST SILVER BLACK
16	0SQV-022001-1000-0BP00	THERMOSTAT CAP	1	MAUD SPIRIT BLACK
17	0SQV-022300-1000	GASKET, CYLINDER HEAD	1	
18	0180-022003-00001	STUD	4	
19	0700-021200	SEAL RING, CYLINDER HEAD COVER BOLT	1	
20	0DM0-022008-00001	DAMPING BOLT, CYLINDER HEAD	1	
21	0SQV-022100-1001-0BP00	CYLINDER HEAD	1	MAUD SPIRIT BLACK
21	0SQV-022100-1001-0D300	CYLINDER HEAD	1	MIST SILVER BLACK
21	0SQV-022100-1003-0BP00	CYLINDER HEAD ASSY	1	



E02-3 CYLINDER HEAD (2)

Item No.	Parts Number	Parts Name(EN)	Qty	Specification
01	05QV-022004-1000	VALVE, INTAKE	4	
02	05QV-022005-1000	VALVE, EXHAUST	4	
03	0MQ0-022003	UPPER SEAT, VALVE SPRING	8	
04	0700-022004	LOCK CLIP, VALVE	16	
05	0MQ0-022005-0370	TAPPET	8	T=3.94
05	0MQ0-022005-0380	TAPPET	8	T=3.96
05	0MQ0-022005-0390	TAPPET	8	T=3.98
05	0MQ0-022005-0400	TAPPET	8	T=4.00
05	0MQ0-022005-0410	TAPPET	8	T=4.02
05	0MQ0-022005-0420	TAPPET	8	T=4.04
05	0MQ0-022005-0430	TAPPET	8	T=4.06
05	0MQ0-022005-0440	TAPPET	8	T=4.08
05	0MQ0-022005-0450	TAPPET	8	T=4.10
05	0MQ0-022005-0460	TAPPET	8	T=4.12
05	0MQ0-022005-0030	TAPPET	8	T=3.26
05	0MQ0-022005-0470	TAPPET	8	T=4.14
05	0MQ0-022005-0040	TAPPET	8	T=3.28
05	0MQ0-022005-0480	TAPPET	8	T=4.16
05	0MQ0-022005-0050	TAPPET	8	T=3.30
05	0MQ0-022005-0490	TAPPET	8	T=4.18
05	0MQ0-022005-0060	TAPPET	8	T=3.32
05	0MQ0-022005-0070	TAPPET	8	T=3.34
05	0MQ0-022005-0080	TAPPET	8	T=3.36
05	0MQ0-022005-0090	TAPPET	8	T=3.38
05	0MQ0-022005-0100	TAPPET	8	T=3.40
05	0MQ0-022005-0110	TAPPET	8	T=3.42
05	0MQ0-022005-0120	TAPPET	8	T=3.44
05	0MQ0-022005-0010	TAPPET	8	T=3.22
05	0MQ0-022005-0020	TAPPET	8	T=3.24
05	0MQ0-022005-0130	TAPPET	8	T=3.46
05	0MQ0-022005-0140	TAPPET	8	T=3.48
05	0MQ0-022005-0150	TAPPET	8	T=3.50
05	0MQ0-022005-0160	TAPPET	8	T=3.52
05	0MQ0-022005-0170	TAPPET	8	T=3.54
05	0MQ0-022005-0180	TAPPET	8	T=3.56
05	0MQ0-022005-0190	TAPPET	8	T=3.58
05	0MQ0-022005-0200	TAPPET	8	T=3.60
05	0MQ0-022005-0210	TAPPET	8	T=3.62
05	0MQ0-022005-0220	TAPPET	8	T=3.64
05	0MQ0-022005-0230	TAPPET	8	T=3.66
05	0MQ0-022005-0240	TAPPET	8	T=3.68
05	0MQ0-022005-0250	TAPPET	8	T=3.70
05	0MQ0-022005-0260	TAPPET	8	T=3.72
05	0MQ0-022005-0270	TAPPET	8	T=3.74
05	0MQ0-022005-0280	TAPPET	8	T=3.76
05	0MQ0-022005-0290	TAPPET	8	T=3.78
05	0MQ0-022005-0300	TAPPET	8	T=3.80
05	0MQ0-022005-0310	TAPPET	8	T=3.82
05	0MQ0-022005-0320	TAPPET	8	T=3.84
05	0MQ0-022005-0330	TAPPET	8	T=3.86
05	0MQ0-022005-0340	TAPPET	8	T=3.88
05	0MQ0-022005-0350	TAPPET	8	T=3.90
05	0MQ0-022005-0360	TAPPET	8	T=3.92
06	05QV-022006-1000	LOWER SEAT, VALVE SPRING	8	
07	05QV-022003-1000-10	VALVE SPRING	8	
08	0700-022400-1000	SEAL RING, VALVE STEM	8	

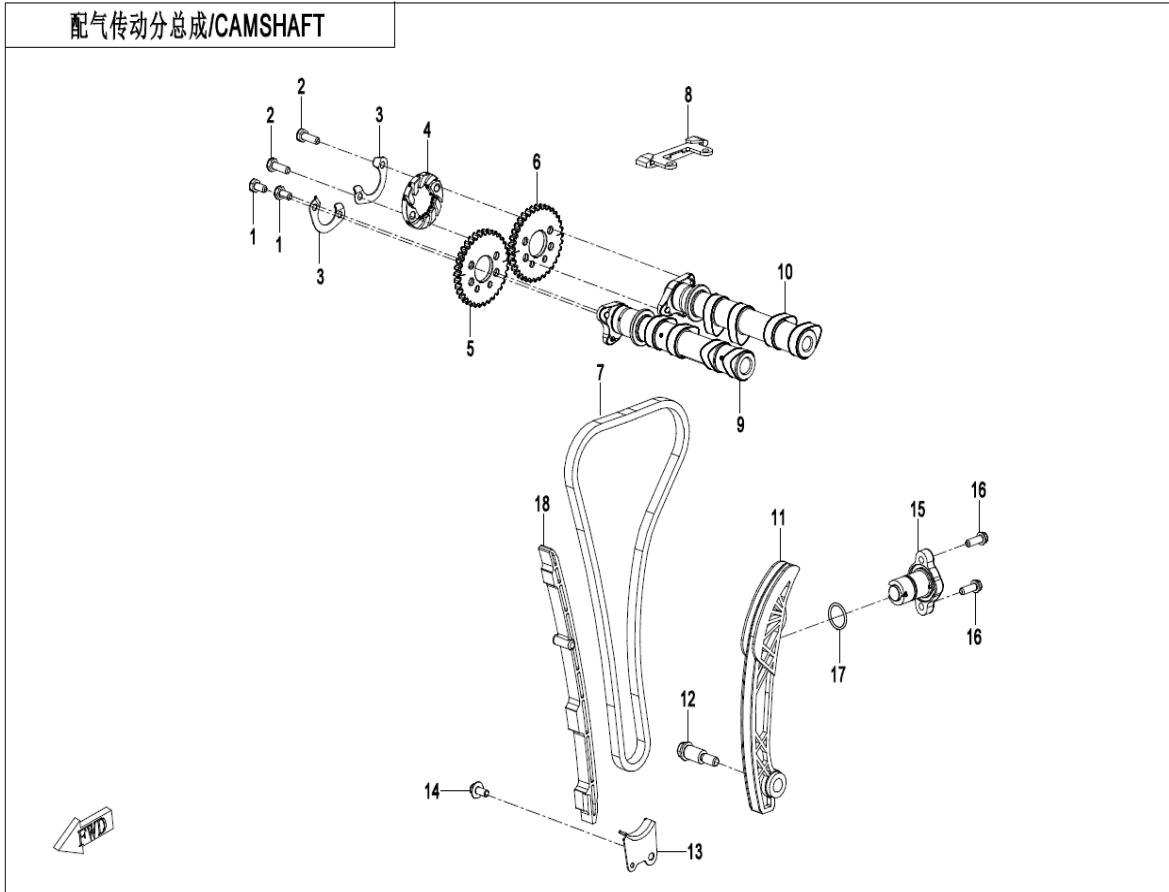
气缸盖分总成(4)/CYLINDER HEAD(4)



E02-4 CYLINDER HEAD (3)

Item No.	Parts Number	Parts Name(EN)	Qty	Specification
01	0SQV-023001-1000-0D300	CYLINDER	1	MIST SILVER BLACK
01	0SQV-023001-1000-0BP00	CYLINDER BODY	1	MAUD SPIRIT BLACK
02	30410-00800	ROLLER	4	
03	0SQV-023002-1000	GASKET, CYLINDER	1	

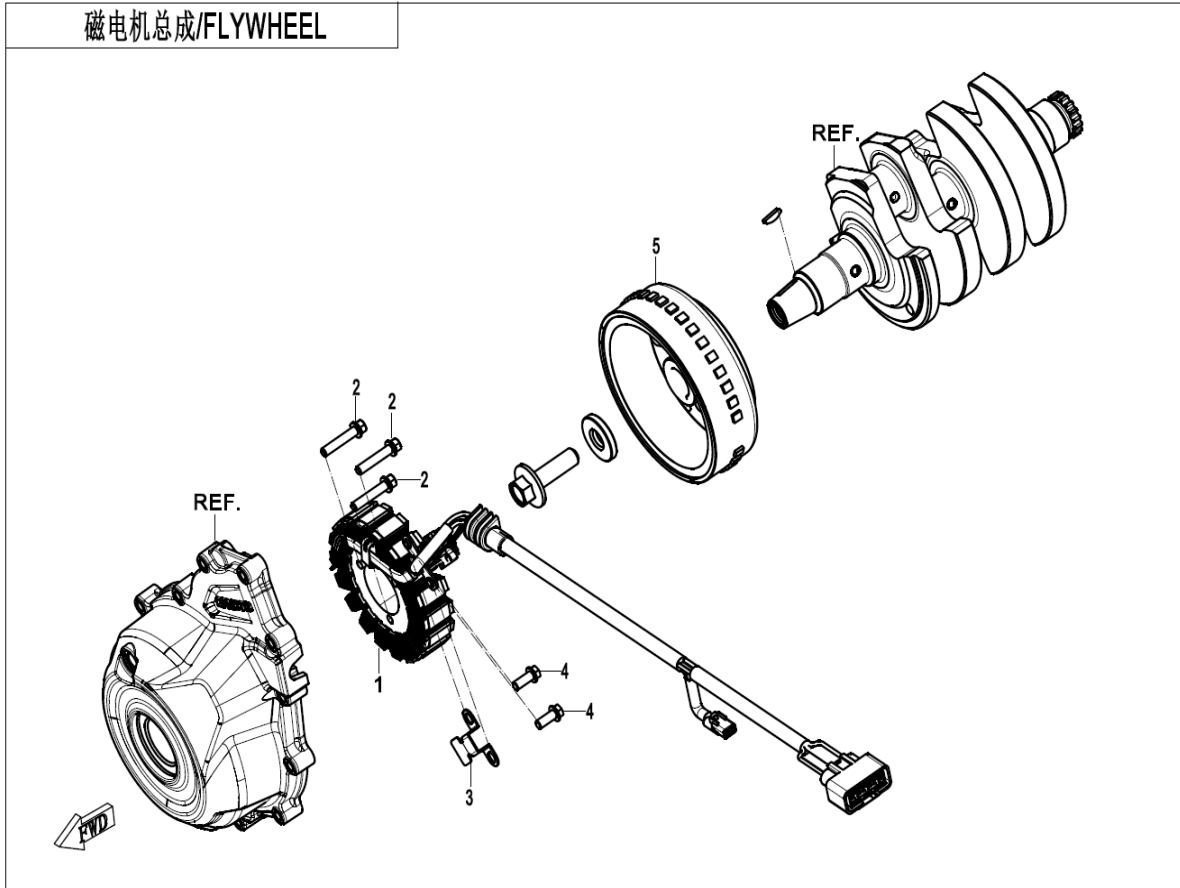
配气传动分总成/CAMSHAFT



E02-5 CAMSHAFT

Item No.	Parts Number	Parts Name(EN)	Qty	Specification
01	30004-060012150	BOLT	2	
02	1F30-024012	BOLT M6x18	2	M6x18
03	0700-024003	RETAINER	2	
04	0SQV-024013-1000	CENTRIFUGAL WHEEL	1	
04	0SQV-024013-1001	CENTRIFUGAL WHEEL	1	
05	0SQV-024002-1000	AIR OUTLET TIMING SPROCKET	1	
06	0SQV-024001-1000	AIR INLET TIMING SPROCKET	1	
07	0SQV-024200-1000	TIMING CHAIN	1	
08	0SQV-024100-1000	CHAIN GUIDE BLOCK	1	
09	0SQV-024600-1000	CAMSHAFT, AIR EXHAUST	1	
09	0SQV-024600-1001	CAMSHAFT, AIR EXHAUST	1	
10	0SQV-024500-1000	CAMSHAFT, AIR INTAKE	1	
10	0SQV-024500-1001	CAMSHAFT, AIR INLET	1	
11	0SQV-024005-1000	TENSION PLATE	1	
11	0SQV-024005-1001	TENSION PLATE	1	
12	0SQV-024009-1000	PIN SHAFT	1	
13	0SQV-024008-1000	PLATE, TIMING CHAIN	1	
14	0010-021019-0010	BOLT M6x12	1	M6x12
15	0SQV-024400-1000	HYDRAULIC TENSIONER	1	
15	0SQV-024400-1001	HYDRAULIC TENSIONOR	1	
16	0010-023010-0010	BOLT M6x20	2	M6x20
17	0SQV-024401-1000	GASKET, HYDRAULIC TENSIONER	1	
18	0SQV-024003-1000	CHAIN GUIDE	1	
18	0SQV-024003-1001	CHAIN GUARD	1	

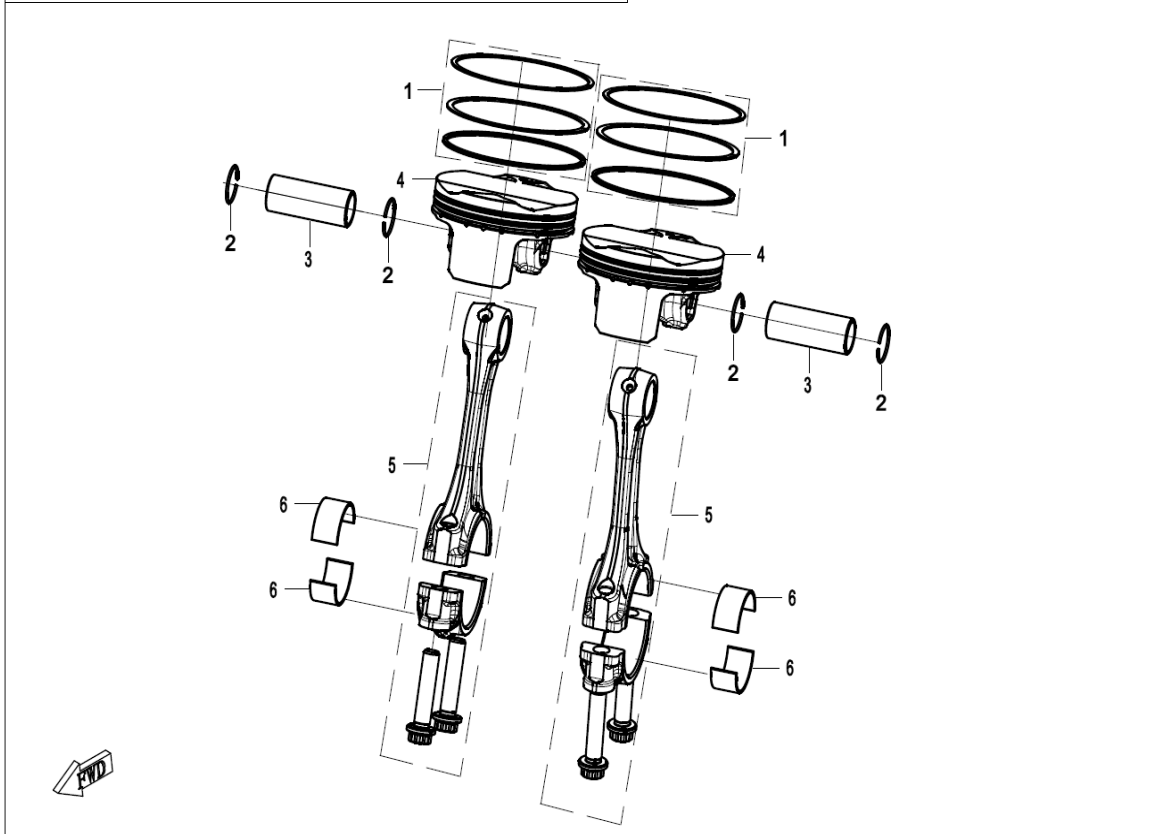
磁电机总成/FLYWHEEL



E03 MAGNETO

Item No.	Parts Number	Parts Name(EN)	Qty	Specification
1	0SQV-032000-1000	MAGNETO STATER	1	
1	0SQV-032000-1000-10	MAGNETO STATOR ASSY	1	
2	0180-030001-00001	SCREW M6x30	3	
3	0SQV-032100-1000	STATER WIRE PRESS PLATE	1	
4	0010-030002-00001	BOLT	2	
5	0SQV-031000-1001	MAGNETO ROTOR ASSY	1	

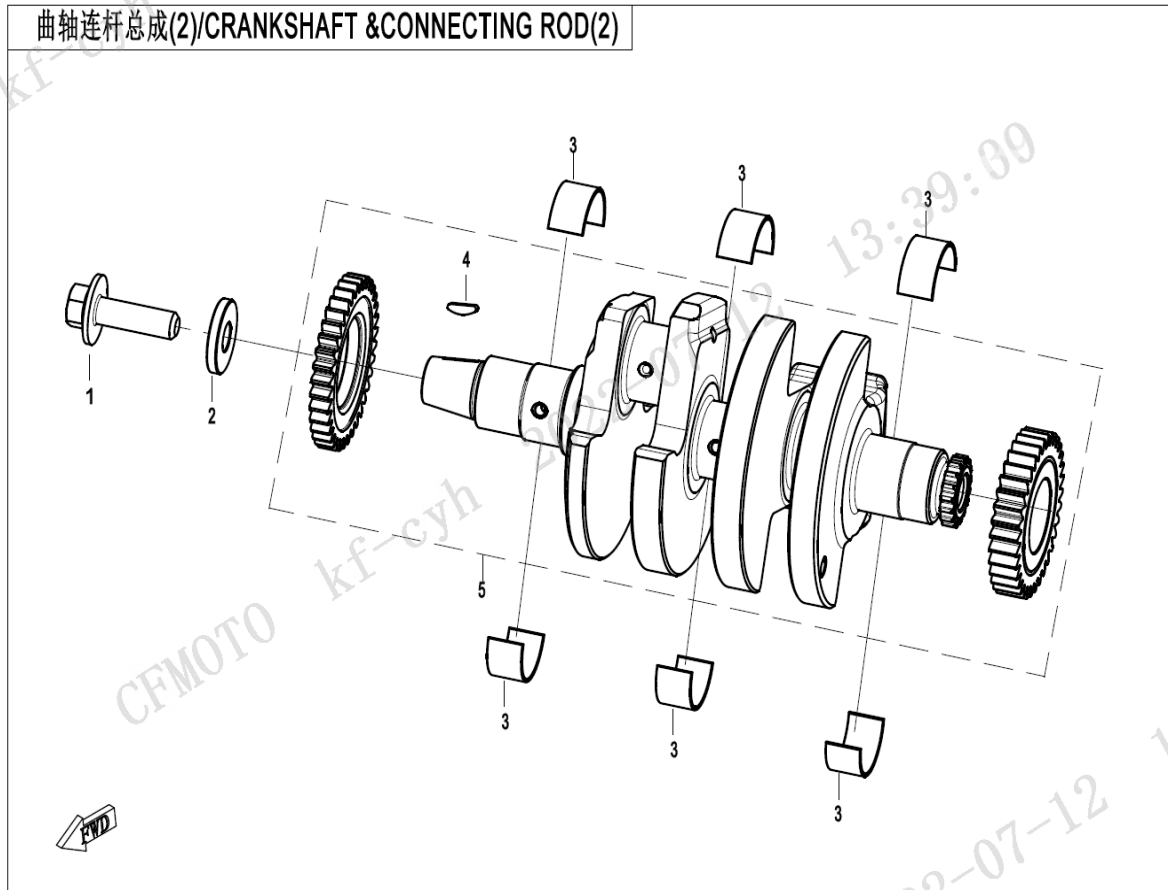
曲轴连杆总成(1)/CRANKSHAFT &CONNECTING ROD(1)



E04-1 CRANKSHAFT &CONNECTING ROD (1)

Item No.	Parts Number	Parts Name(EN)	Qty	Specification
1	0SQV-040110-10A0	PISTON RING KIT	2	
2	0110-040006-0050	CIRCLIP, PISTON PIN	4	
3	0SQV-040008-1000	PISTON PIN	2	
4	0SQV-040007-1001-Q0-00001	PISTON	2	MARK I
4	0SQV-040007-1001-Q0-00002	PISTON	2	
5	0SQV-042000-1001-Q0-00001	CONNECTING ROD ASSY	2	
5	0SQV-042000-1001-Q0-00002	CONNECTING ROD ASSY	2	
6	0SQV-040009-1000-Q0-00001	PLAIN BEARING, CONNECTING ROD	4	RED
6	0SQV-040009-1000-Q0-00002	PLAIN BEARING, CONNECTING ROD	4	BLACK
6	0SQV-040009-1000-Q0-00003	PLAIN BEARING, CONNECTING ROD	4	BLUE

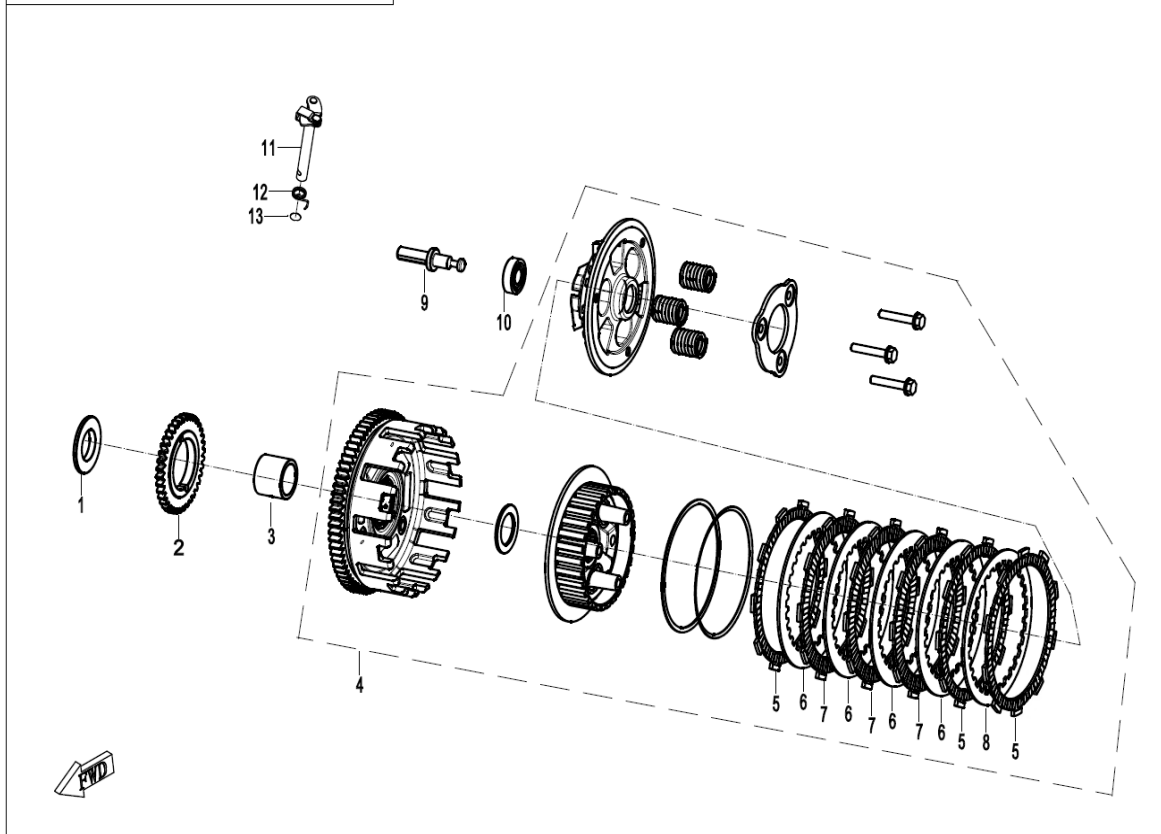
曲轴连杆总成(2)/CRANKSHAFT &CONNECTING ROD(2)



E04-2 CRANKSHAFT &CONNECTING ROD (2)

Item No.	Parts Number	Parts Name(EN)	Qty	Specification
1	0SQV-040001-1000	BOLT M12x1.25x40	1	M12x1.25x40
2	0700-040002-00001	WASHER	1	12.5x33x5
3	0SQV-011001-1000-Q0-00001	PLAIN BEARING, MAIN SHAFT	6	RED
3	0SQV-011001-1000-Q0-00002	PLAIN BEARING, MAIN	6	BLACK
3	0SQV-011001-1000-Q0-00003	PLAIN BEARING, MAIN SHAFT	6	BLUE
4	0180-040007	WOODRUFF KEY	1	
5	0SQV-041000-1001	CRANKSHAFT ASSY	1	
5	0SQV-041000-1002	CRANKSHAFT ASSY	1	

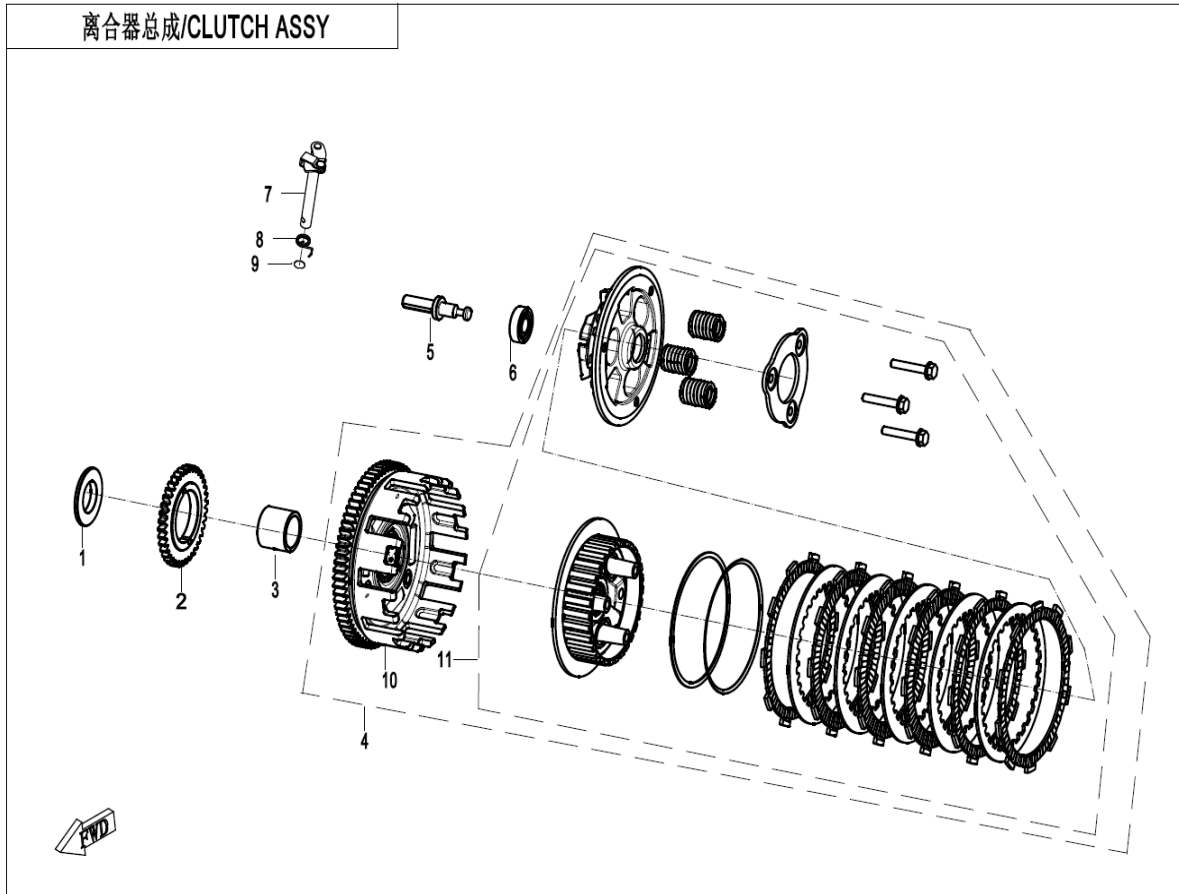
离合器总成/CLUTCH ASSY



E05 CLUTCH

Item No.	Parts Number	Parts Name(EN)	Qty	Specification
1	0SQV-050001-1000	WASHER	1	25.2x46x5.8
2	0SQV-050005-1001	DRIVE GEAR, OIL PUMP	1	
3	0SQV-050002-1000	AXLE SLEEVE, CLUTCH	1	
4	0SQV-051000-1000-Q0-00001	CLUTCH ASSY	1	
4	0SQV-051000-1000-Q0-00002	CLUTCH ASSY	1	
4	0SQV-051000-1001-Q0-00002	CLUTCH SUB ASSY	1	MARK B
4	0SQV-051000-1001-Q0-00001	CLUTCH SUB ASSY	1	MARK A
5	0DMB-051220	FRICTION DISC 2	3	
6	0DMB-051207	DRIVEN DISC 2	4	
7	0DMB-051210	FRICTION DISC 1	3	
8	0DMB-051205	DRIVEN DISC 1	1	
9	0SQV-050004-1001	ROD	1	
10	30400-01207	ROLLER BEARING	1	
11	0SQV-050100-1000	CONTROL SHAFT, CLUTCH	1	
12	0700-013006-00001	RETURN SPRING, CLUTCH CONTROL LEVER	1	
13	0700-013007	WASHER	1	12.5x18.5x0.6

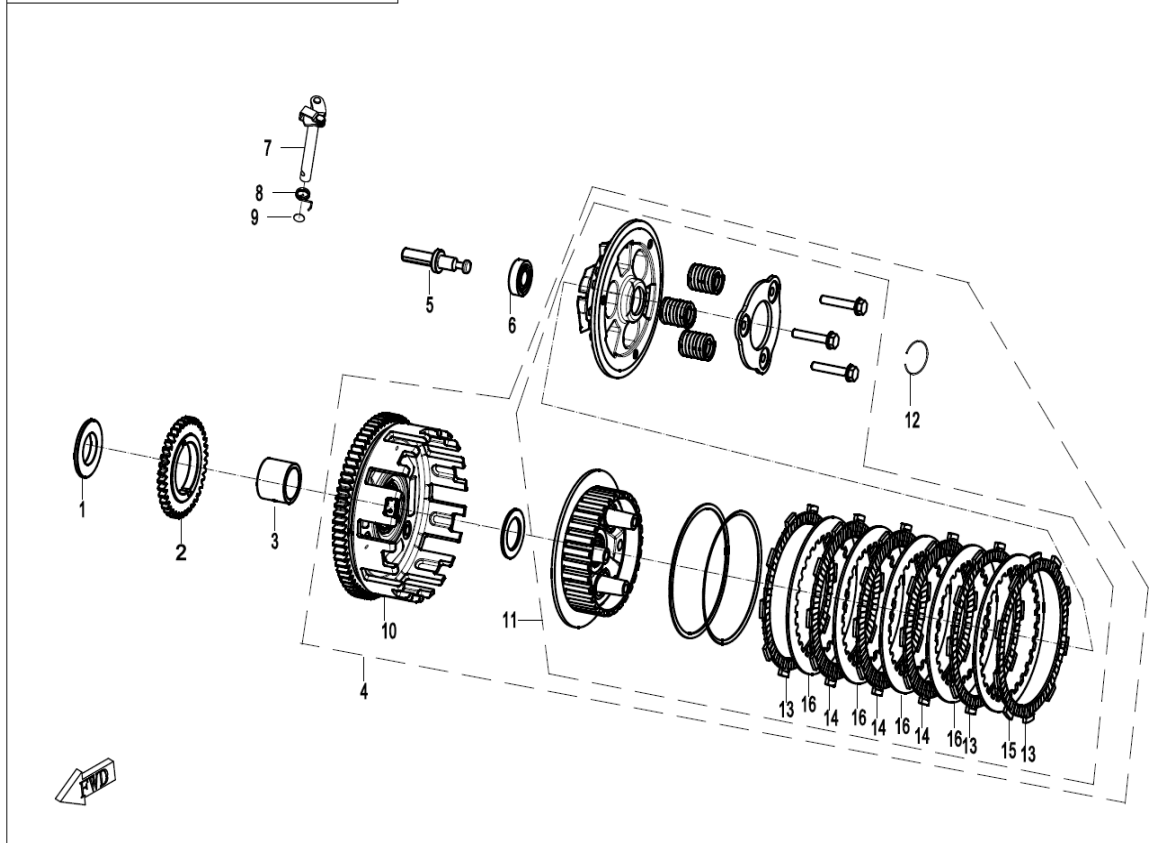
离合器总成/CLUTCH ASSY



E05-A CLUTCH (FCC)

Item No.	Parts Number	Parts Name(EN)	Qty	Specification
01	0SQV-050001-1000	WASHER	1	25.2x46x5.8
02	0SQV-050005-1001	DRIVE GEAR, OIL PUMP	1	
03	0SQV-050002-1000	AXLE SLEEVE, CLUTCH	1	
04	0SQV-051000-1001-Q0-00002	CLUTCH SUB ASSY	1	MARK B
04	0SQV-051000-1001-Q0-00001	CLUTCH SUB ASSY	1	MARK A
05	0SQV-050004-1001	ROD	1	
06	30400-01207	ROLLER BEARING	1	
07	0SQV-050100-1000	CONTROL SHAFT, CLUTCH	1	
08	0700-013006-00001	RETURN SPRING, CLUTCH CONTROL LEVER	1	
09	0700-013007	WASHER	1	12.5x18.5x0.6

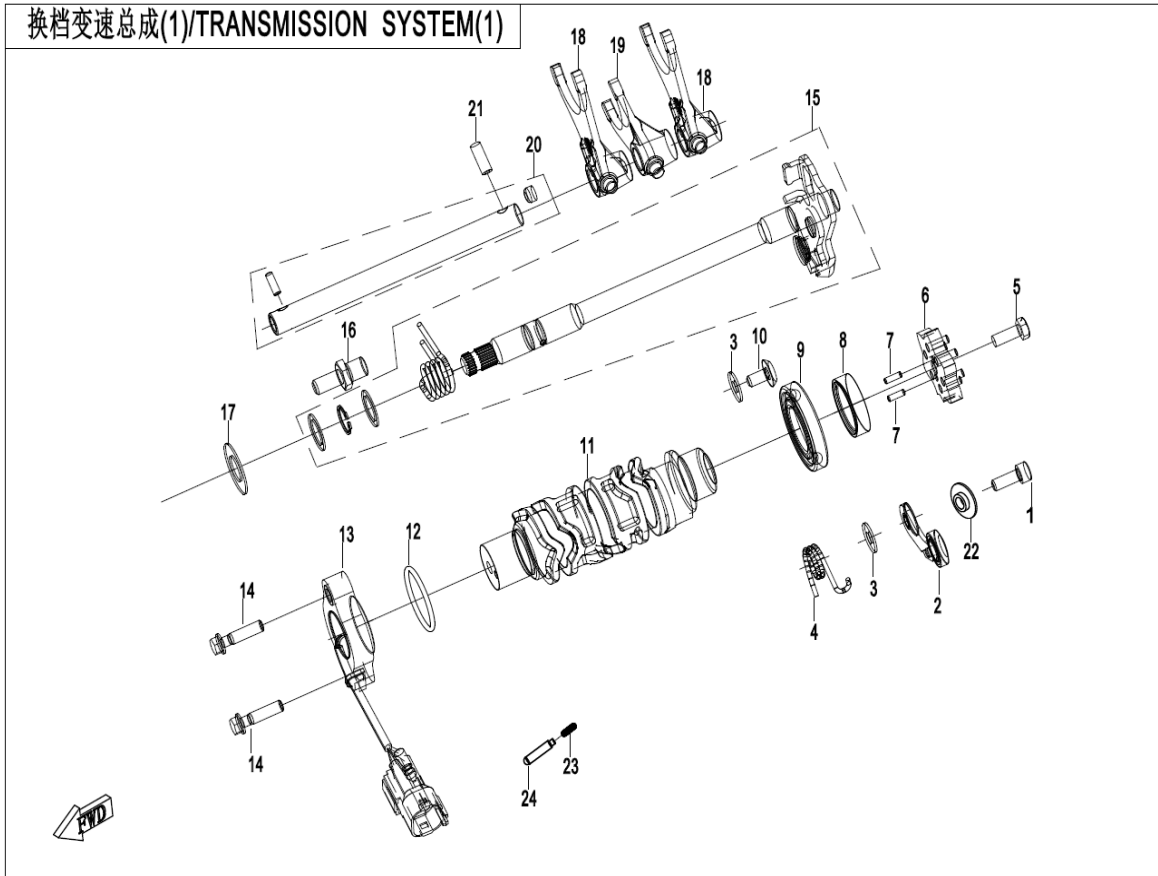
离合器总成/CLUTCH ASSY



E05-B CLUTCH(CHONGQIN CHANGXIN)

Item No.	Parts Number	Parts Name(EN)	Qty	Specification
01	0SQV-050001-1000	WASHER	1	25.2x46x5.8
02	0SQV-050005-1001	DRIVE GEAR, OIL PUMP	1	
03	0SQV-050002-1000	AXLE SLEEVE, CLUTCH	1	
04	0SQV-051000-1000-Q1-00001	CLUTCH ASSY	1	
04	0SQV-051000-1000-Q1-00002	CLUTCH ASSY	1	
05	0SQV-050004-1001	ROD	1	
06	30400-01207	ROLLER BEARING	1	
07	0SQV-050100-1000	CONTROL SHAFT, CLUTCH	1	
08	0700-013006-00001	RETURN SPRING, CLUTCH CONTROL LEVER	1	
09	0700-013007	WASHER	1	12.5x18.5x0.6
10	0SQV-051100-1000-M1	PRIMARY DRIVEN PULLEY ASSY	1	
11	0SQV-051200-1000-M1	CENTRAL SLEEVE ASSY	1	
12	0SQV-060004-1000	LOCK WASHER	1	
13	0SQV-051210-1000-M1	FRICITION DISC ASSY 1	3	
14	0SQV-051220-1000-M1	FRICITION DISC ASSY 2	3	
15	0SQV-051213-1000-M1	DRIVEN DISC 1	1	
16	0SQV-051214-1000-M1	DRIVEN DISC 2	4	

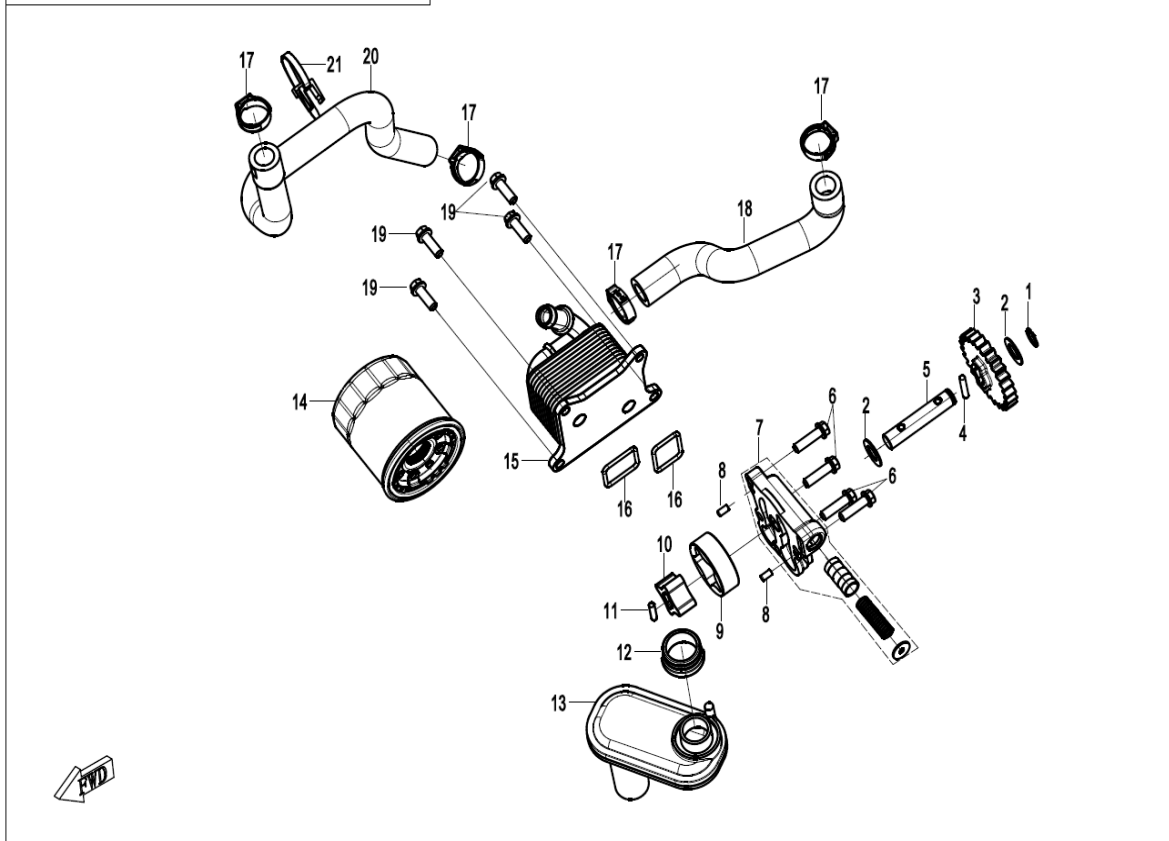
换挡变速总成(1)/TRANSMISSION SYSTEM(1)



E06-1-V2 TRANSMISSION SYSTEM (1)

Item No.	Parts Number	Parts Name(EN)	Qty	Specification
1	30102-060016810	SCREW	1	
2	OSQV-065100-1000	SPRING, ROCKER ARM	1	
3	0700-064001	WASHER	2	6.3x16.3x1.2
4	ODM0-065001	SPRING, SWING ARM, GEARSHIFT	1	
5	30004-060016110	BOLT M6x16	1	M6x16
6	OSQV-064100-1001	CAM, GEARSHIFT DRUM	1	
7	30406-00303	NEEDLE BEARING	2	
8	OSQV-064002-1000	BUSHING, SHIFT DRUM	1	
9	30400-02505	BEARING	1	
10	0010-090005-0010	BOLT M6x16	1	M6x16
11	OSQV-064001-1001	SHIFT DRUM	1	
12	OSQV-060012-1000	O-RING	1	31x2.5
13	OSQV-060400-1000	GEAR SENSOR	1	
14	0010-021017-0010	BOLT M6x25	2	M6x25
15	OSQV-063000-1000	GEARSHIFT ROD	1	
16	ODM0-063002-00001	SHIFT POSITION SPRING PIN	1	
17	OSQV-060013-1000	WASHER	1	14x28x1
18	OSQV-060002-1000	SHIFT FORK	2	LH@^RH
19	OSQV-060003-1000	SHIFT FORK	1	MIDDLE
20	OSQV-060100-1001	FORK SHAFT ASSY	1	
20	OSQV-060102-1002	FORK SHAFT	1	
21	OSQV-060015-1001	DOWEL PIN 6	1	
22	0700-064003	SLEEVE, SWING ARM, GEARSHIFT	1	
23	0700-063007	SPRING, CONTACTOR	1	
24	0700-063008	BALL CONTACTOR	1	

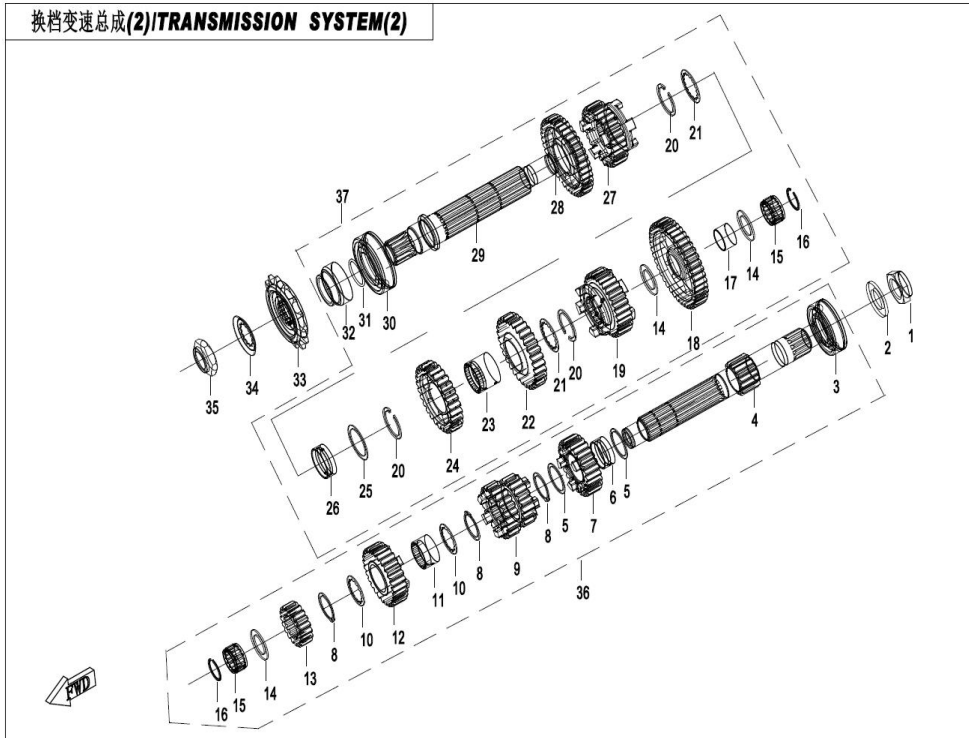
润滑系统总成/LUBRICATION SYSTEM



E07 LUBRICATION SYSTEM

Item No.	Parts Number	Parts Name(EN)	Qty	Specification
1	30801-01100	CIRCLIPS FOR SHAFT 11	1	11
2	0SQV-071003-1000	WASHER	2	11x20x1
3	0SQV-071001-1001	GEAR, OIL PUMP	1	
4	30406-00402	ROLLER NEEDLE P4x21.8	1	P4x21.8
5	0SQV-071002-1000	SHAFT, OIL PUMP	1	
6	0010-023010-0010	BOLT M6x20	4	M6x20
7	0SQV-071101-10A0	OIL PUMP COVER ASSY	1	
8	30406-00401	ROLLER NEEDLE P4x7.8	2	P4x7.8
9	0700-071003	OUTER ROTOR, MAIN OIL PUMP	1	
10	0700-071004	INNER ROTOR, MAIN OIL PUMP	1	
11	30406-00400	ROLLER NEEDLE P4x15.8	1	P4x15.8
12	0700-070101	GASKET, OIL SUCTION PAN	1	
13	0SQV-073100-1000	FILTER	1	
14	0700-070200	OIL FILTER	1	
15	0SQV-072100-1000	OIL COOLER	1	
16	0SQV-072003-1000	SEAL RING, OIL COOLER	2	
17	0SQV-028002-1000-M1	CLAMP	4	Dia 22.5
18	0SQV-072001-1000	WATER OUTLET PIPE, OIL COOLER	1	
19	0010-023008-00001	BOLT	4	
20	0SQV-072002-1000	WATER INLET PIPE, OIL COOLER	1	
21	0SQV-072200-1001-M1	TIE BAND	1	

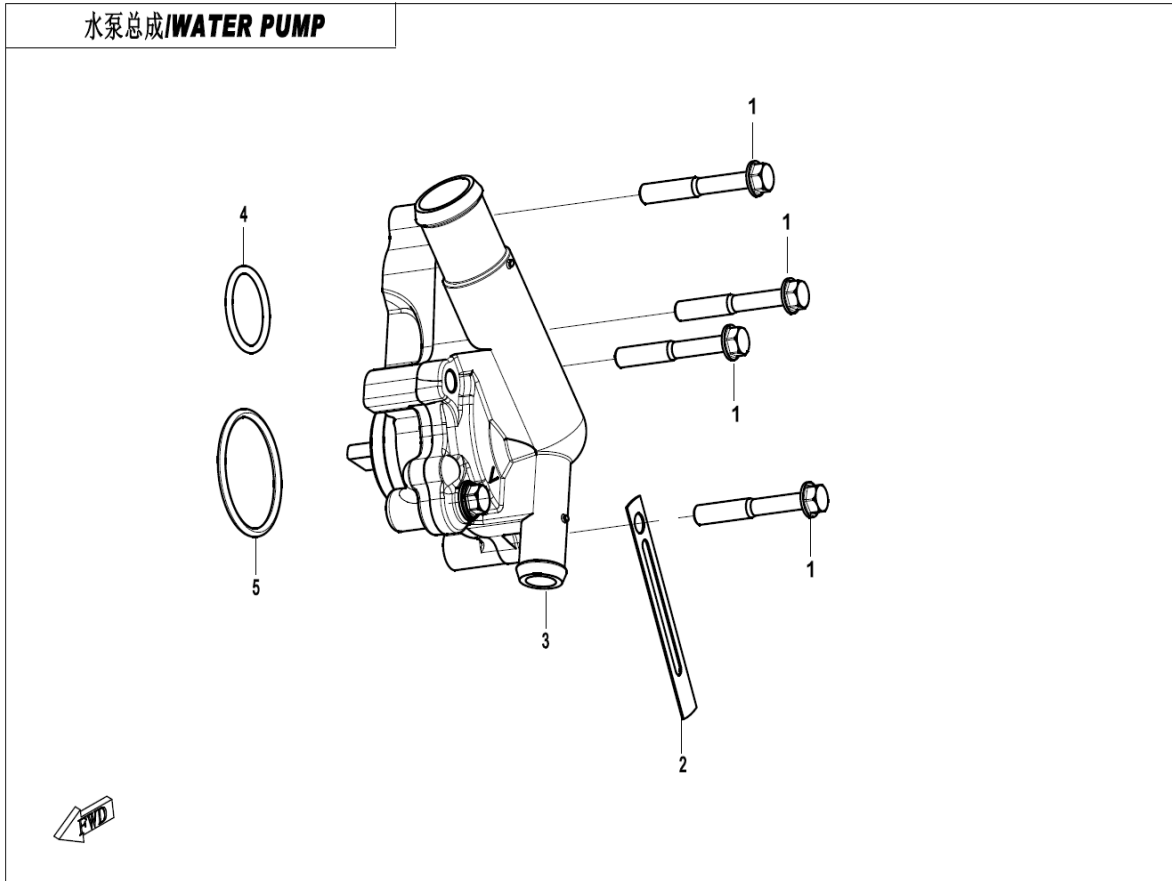
换挡变速总成(2)/TRANSMISSION SYSTEM(2)



E06-2 TRANSMISSION SYSTEM (2)

Item No.	Parts Number	Parts Name(EN)	Qty	Specification
1	0700-061002-0002	NUT	1	
2	0700-061003	CIRCLIP 20	1	20
3	OSQV-061012-1000	BEARING, MAIN SHAFT	1	
4	OSQV-061001-1000	MAIN SHAFT	1	
5	OSQV-061008-1000	WASHER	2	25.2x31x1
6	OSQV-061011-1000	BUSHING	1	25x28x12
7	OSQV-061009-1000	5TH GEAR, MAIN SHAFT	1	
8	ODM0-062017	CIRCLIPS FOR SHAFT 25	3	
9	OSQV-061007-1000	3RD/4TH GEAR, MAIN SHAFT	1	
10	ODM0-062016	SPLINE WASHER 25x31x1	2	
11	OSQV-061006-1000	SPLINE SLEEVE	1	
12	OSQV-061005-1000	6TH GEAR, MAIN SHAFT	1	
13	OSQV-061003-1000	2ND GEAR, MAIN SHAFT	1	
14	OSQV-061002-1000	WASHER	3	20.2x31x1.5
15	30499-02004	NEEDLE BEARING	2	KMJ20x26x13.8x1S
16	0700-061016	CIRCLIPS FOR SHAFT20	2	20
17	OSQV-062102-1000	BUSHING	1	
18	OSQV-062101-1000	1ST GEAR, COUNTERSHAFT	1	
19	OSQV-062013-1000	5TH GEAR, COUNTERSHAFT	1	
20	30801-02805	CIRCLIPS FOR SHAFT 28	3	28
21	OSQV-062008-1000	WASHER, SPLINE	2	
22	OSQV-062012-1000	3RD GEAR, COUNTERSHAFT	1	
23	OSQV-062011-1000	SPLINE SLEEVE	1	
24	OSQV-062009-1000	4TH GEAR, COUNTERSHAFT	1	
25	OSQV-062006-1000	28.2x36x1	1	28.2x36x1
26	OSQV-062005-1000	28x10.5	1	28x10.5
27	OSQV-062007-1000	6TH GEAR, COUNTERSHAFT	1	
27	OSQV-062007-1001	6TH GEAR, COUNTERSHAFT	1	
28	OSQV-062004-1000	2ND, COUNTERSHAFT	1	
29	OSQV-062001-1000	COUNTERSHAFT	1	
29	OSQV-062001-1001	COUNTERSHAFT	1	
30	OSQV-062003-1000	62x28	1	62x28
31	0800-062205	O-SEAL RING 25x2	1	25x2
32	OSQV-062002-1000	SHAFT SLEEVE, COUNTERSHAFT	1	
33	0MQ0-062030	SPROCKET, OUTPUT	1	
34	0700-062015	WASHER	1	
35	OSQV-060014-1000	NUT M20x1.5	1	M20x1.5
36	OSQV-061000-1000	MAIN SHAFT	1	
37	OSQV-062000-1001	COUNTERSHAFT ASSY	1	
37	OSQV-062000-1002	COUNTERSHAFT ASSY	1	

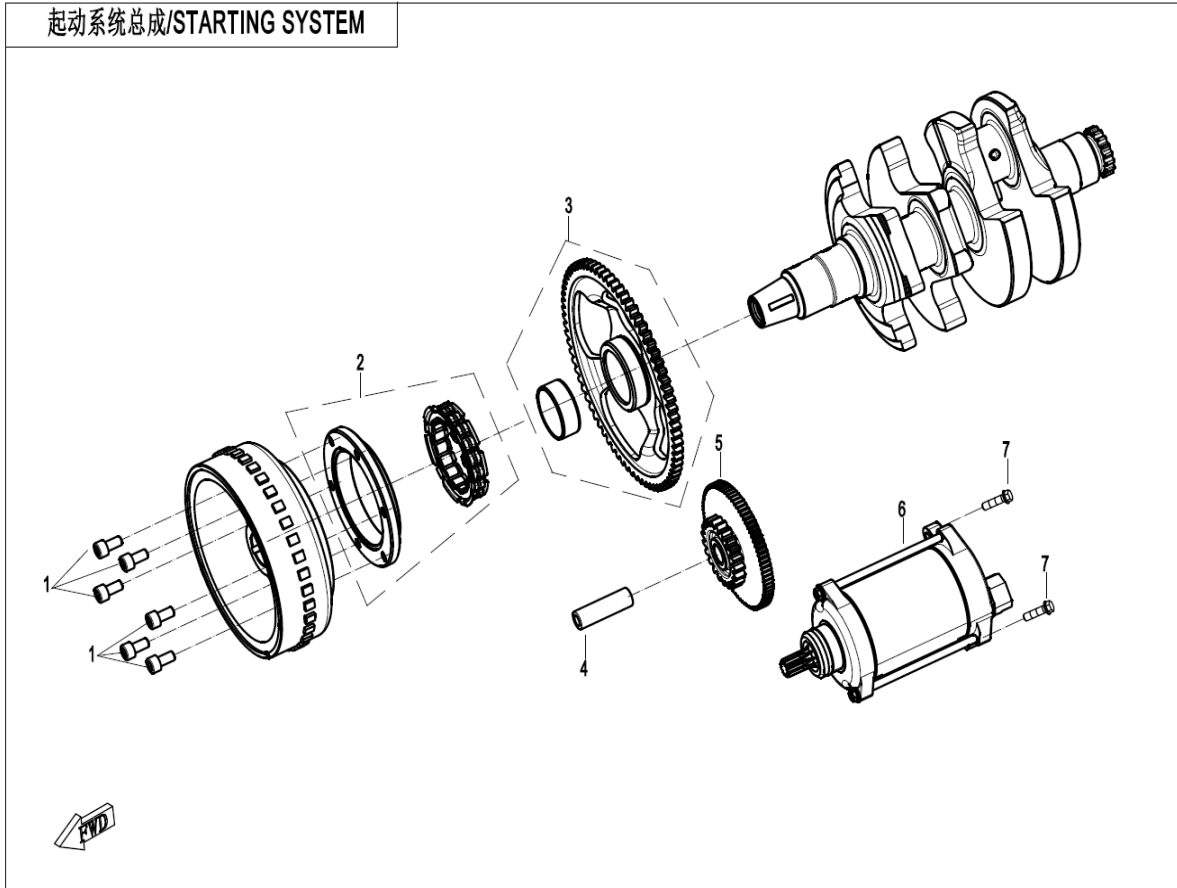
水泵总成/WATER PUMP



E08 WATER PUMP

Item No.	Parts Number	Parts Name(EN)	Qty	Specification
01	0HTB-065202	BOLT M6x42	4	M6x42
02	0180-014010	WIRE CLIP	1	
03	0SQV-081000-1001-0BU00	WATER PUMP SUB ASSY	1	
03	0SQV-081000-1001-0BP00	WATER PUMP SUB ASSY	1	MAUD SPIRIT BLACK
04	0SQV-081009-1000	O-RING	1	
05	0SQV-080002-1000	O-RING 33x2.65	1	

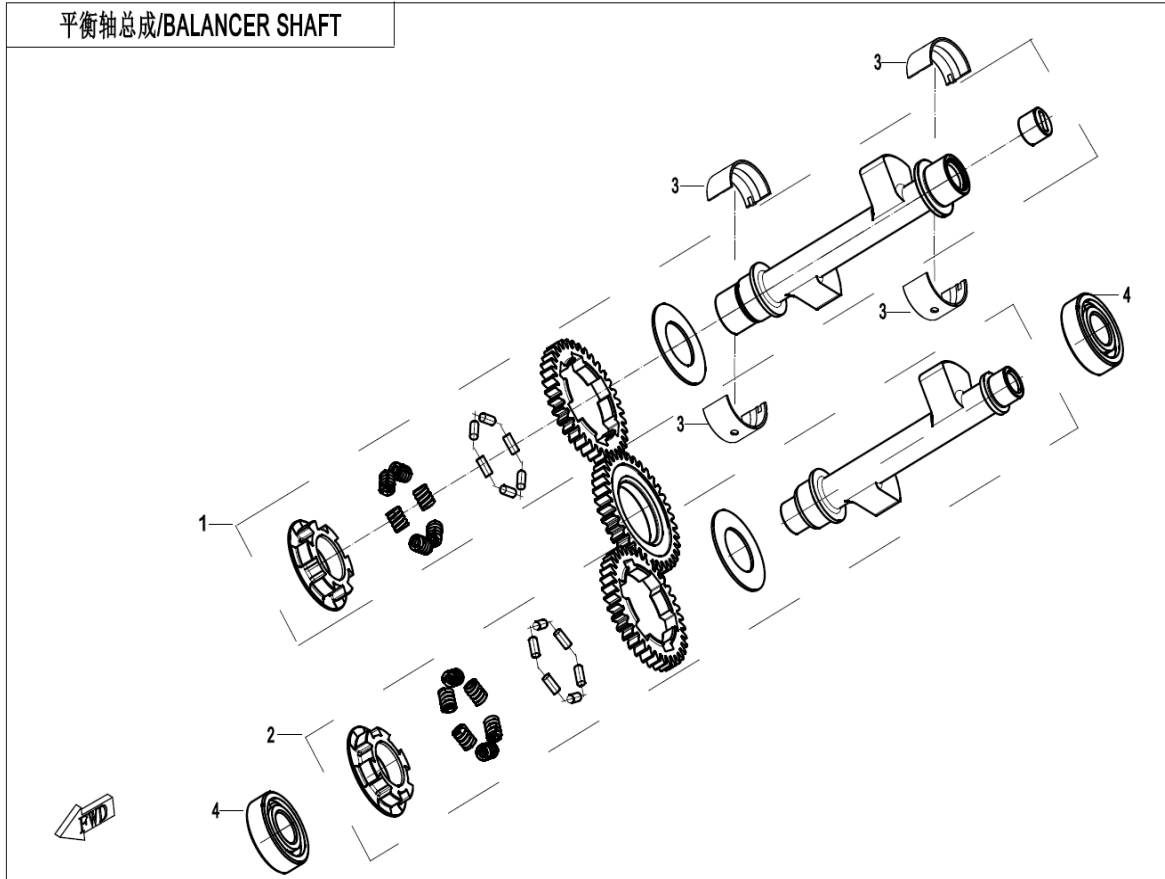
起动系统总成/STARTING SYSTEM



E09 STARTING SYSTEM

Item No.	Parts Number	Parts Name(EN)	Qty	Specification
01	30102-060012810	SCREW	6	
02	0SQV-091000-1000	OVERRIDING CLUTCH	1	
02	0SQV-091000-1001	OVERRIDING CLUTCH ASSY	1	
03	0SQV-092000-1001	GEAR, STARTING MOTOR	1	
04	0700-090003	SHAFT, MIDDLE GEAR	1	
05	0SQV-090001-1000	DUAL GEAR	1	
06	0SQV-093000-1000	STARTING MOTOR	1	
07	0010-021017-0010	BOLT M6x25	2	M6x25

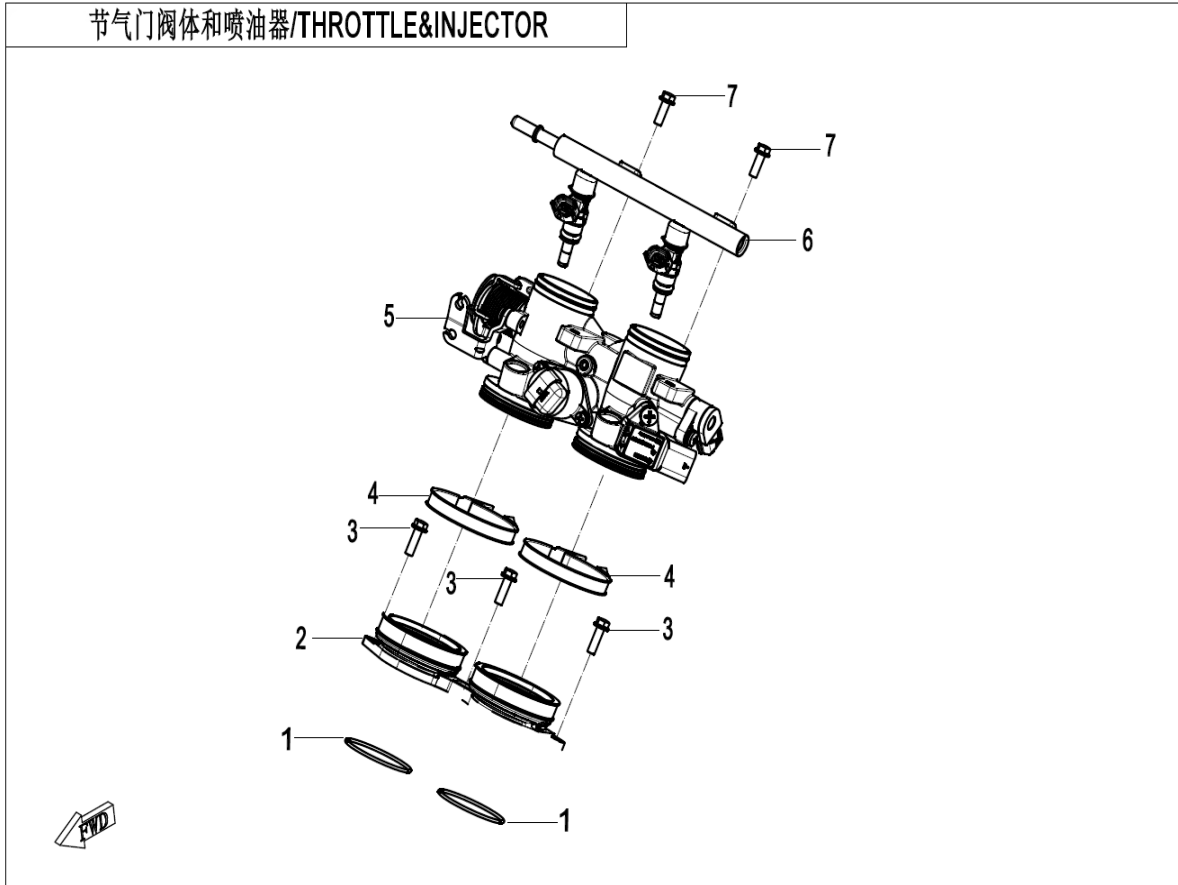
平衡轴总成/BALANCER SHAFT



E16 BALANCER SHAFT

Item No.	Parts Number	Parts Name(EN)	Qty	Specification
01	0SQV-161000-1001	FRONT BALANCING SHAFT	1	
01	0SQV-161000-1002	FRONT BALANCING SHAFT ASSY	1	
02	0SQV-162000-1001	REAR BALANCING SHAFT	1	
03	0SQV-011002-1000-Q0-00001	PLAIN BEARING, BALANCER SHAFT	4	RED
03	0SQV-011002-1000-Q0-00002	PLAIN BEARING, BALANCE SHAFT	4	BLACK
03	0SQV-011002-1000-Q0-00003	PLAIN BEARING, BALANCER SHAFT	4	BLUE
04	30400-02009	BEARING	2	

节气门阀体和喷油器/THROTTLE&INJECTOR



E17 THROTTLE&INJECTOR

Item No.	Parts Number	Parts Name(EN)	Qty	Specification
01	0SQV-022009-1000	O-RING	2	46.2x2
02	0SQV-022400-1000	CONNECTING PIPE, THROTTLE BODY	1	
03	0010-023008-00001	BOLT	3	
04	0SQV-022410-1000	CLAMP 62	2	
05	0SQV-173000-1001	THROTTLE BODY ASSY	1	
05	0SQV-173000-1000-10	THROTTLE BODY ASSY	1	
06	0SQV-173200-1001	FUEL PIPE ASSY	1	
07	0010-090005-0010	BOLT M6x16	1	M6x16