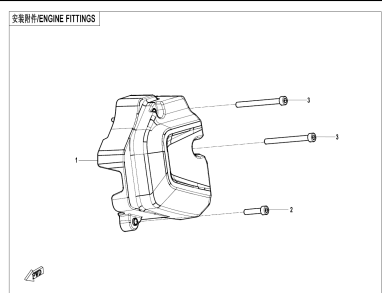
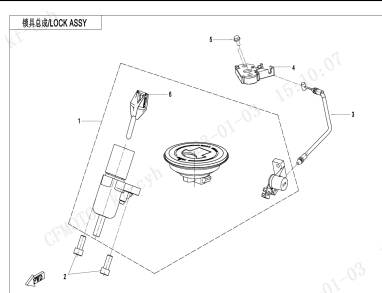
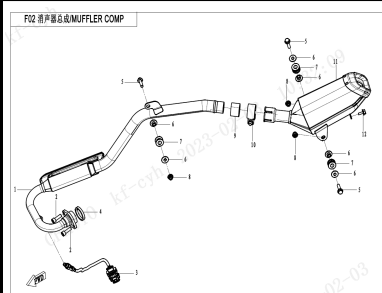
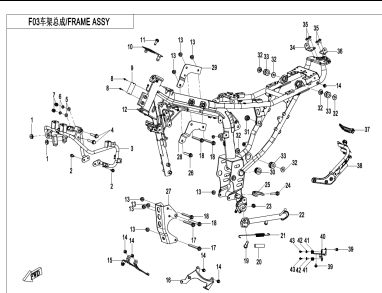
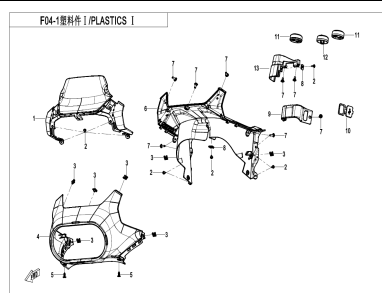
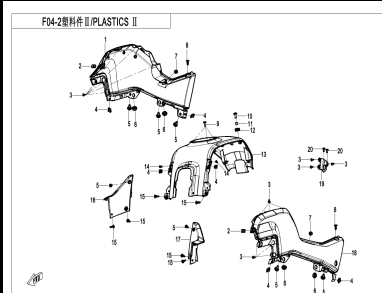
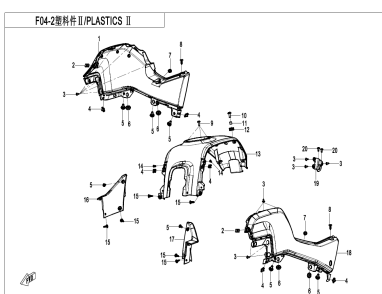
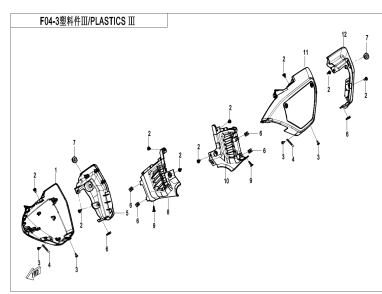
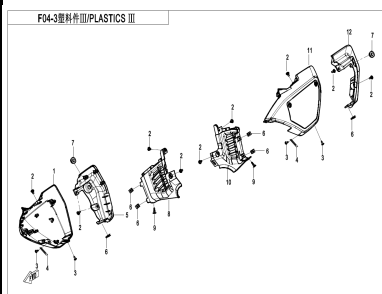
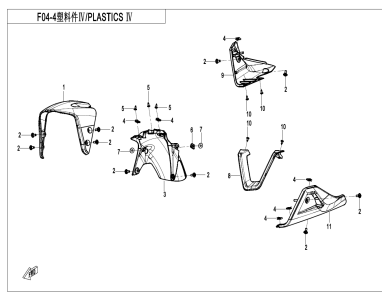
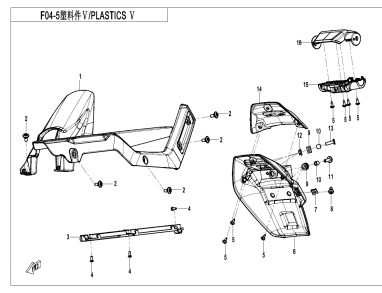
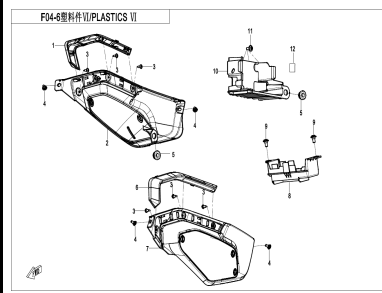
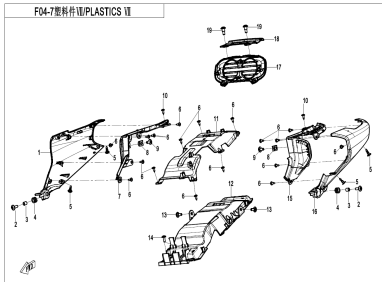
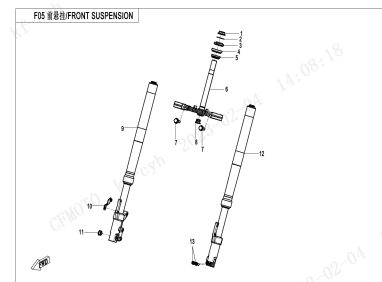
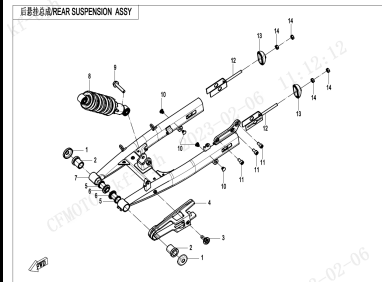
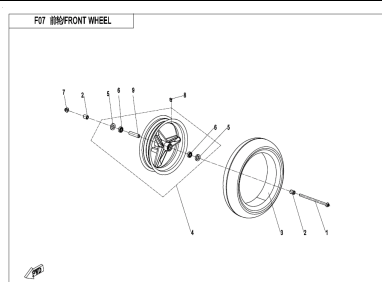
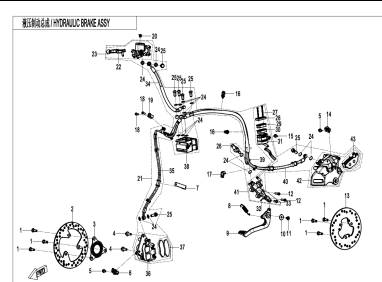
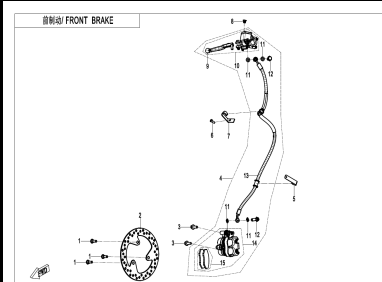
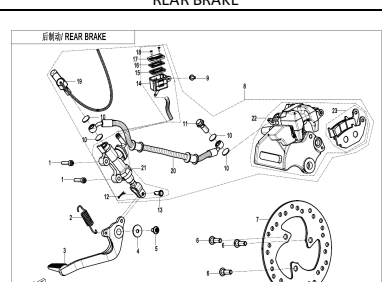
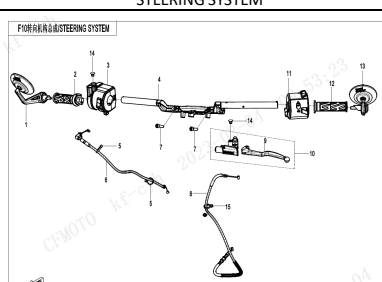
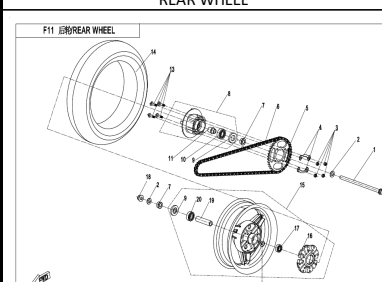
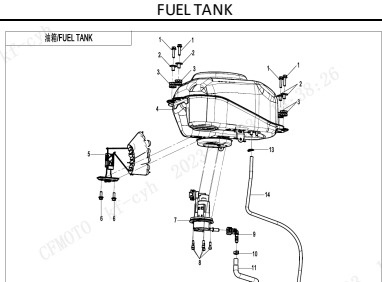
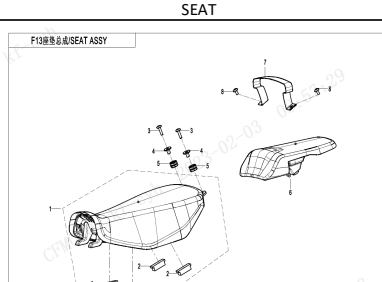
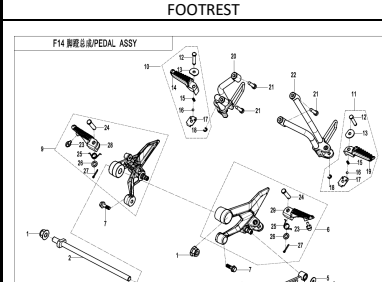


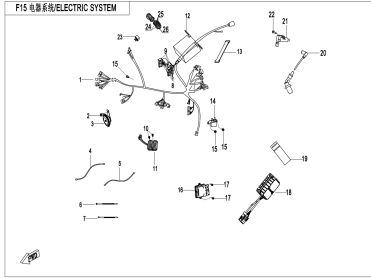
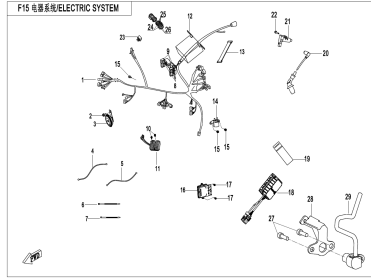
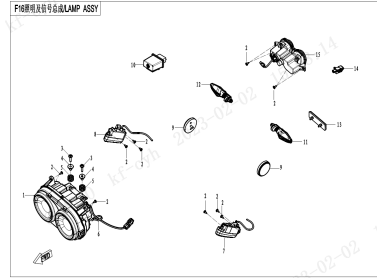
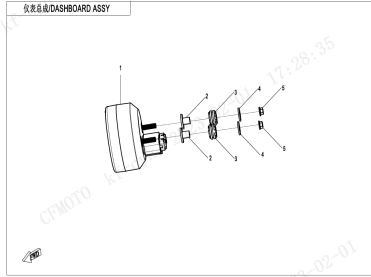


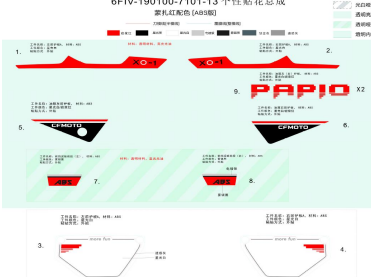

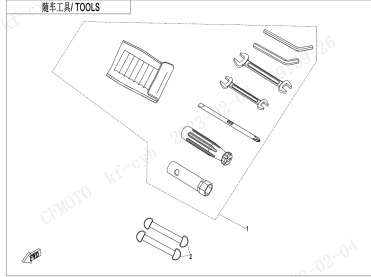
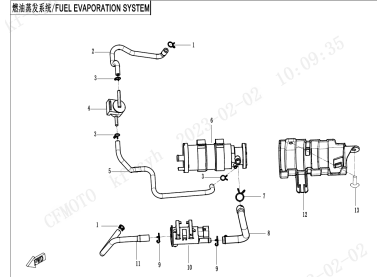
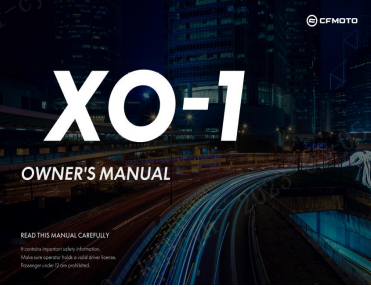
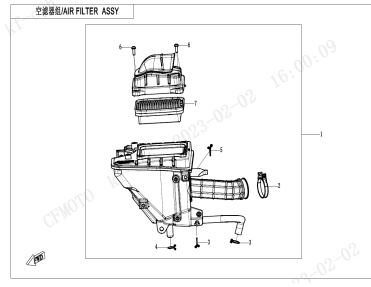
# CONTENTS—FRAME GROUP

<p><b>F00</b></p> <p style="text-align: center;"><b>ENGINE FITTINGS</b></p> <p style="font-size: small;">安装附件ENGINE FITTINGS</p> 	<p><b>F01</b></p> <p style="text-align: center;"><b>LOCK KIT</b></p> <p style="font-size: small;">锁具总成LOCK ASSY</p> 	<p><b>F02</b></p> <p style="text-align: center;"><b>MUFFLER</b></p> <p style="font-size: small;">消声器总成MUFFLER COMP</p> 
<p><b>F03</b></p> <p style="text-align: center;"><b>FRAME</b></p> <p style="font-size: small;">车架总成FRAME ASSY</p> 	<p><b>F04-1</b></p> <p style="text-align: center;"><b>PLASTICS I</b></p> <p style="font-size: small;">F04-1塑料件I/PLASTICS I</p> 	<p><b>F04-2-V1</b></p> <p style="text-align: center;"><b>PLASTICS II</b></p> <p style="font-size: small;">F04-2塑料件II/PLASTICS II</p> 
<p><b>F04-2-V2</b></p> <p style="text-align: center;"><b>PLASTICS II</b></p> <p style="font-size: small;">F04-2塑料件II/PLASTICS II</p> 	<p><b>F04-3-V1</b></p> <p style="text-align: center;"><b>PLASTICS III</b></p> <p style="font-size: small;">F04-3塑料件III/PLASTICS III</p> 	<p><b>F04-3-V2</b></p> <p style="text-align: center;"><b>PLASTICS III</b></p> <p style="font-size: small;">F04-3塑料件III/PLASTICS III</p> 
<p><b>F04</b></p> <p style="text-align: center;"><b>PLASTICS IV</b></p> <p style="font-size: small;">F04-4塑料件IV/PLASTICS IV</p> 	<p><b>F05</b></p> <p style="text-align: center;"><b>PLASTICS V</b></p> <p style="font-size: small;">F04-5塑料件V/PLASTICS V</p> 	<p><b>F06</b></p> <p style="text-align: center;"><b>PLASTICS VI</b></p> <p style="font-size: small;">F04-6塑料件VI/PLASTICS VI</p> 

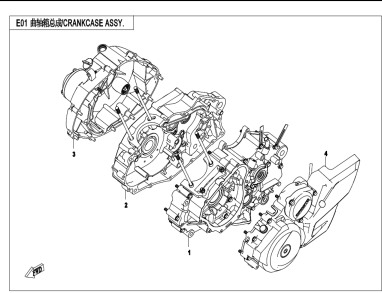
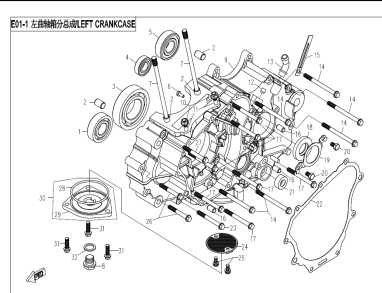
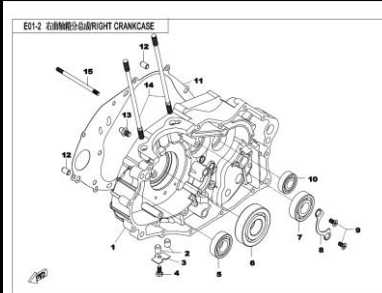
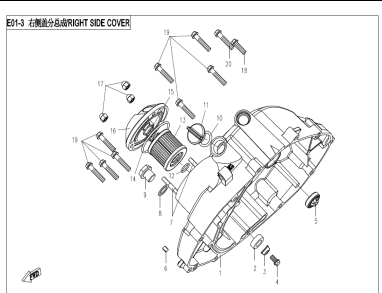
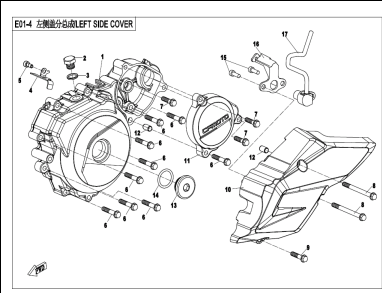
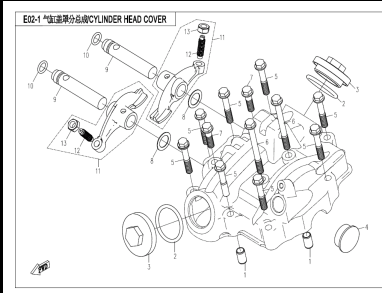
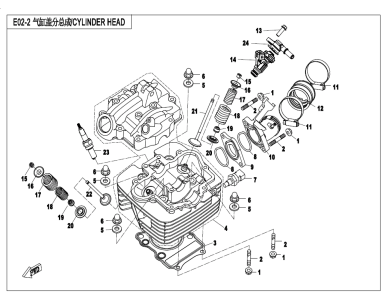
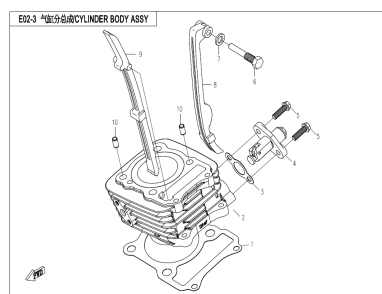
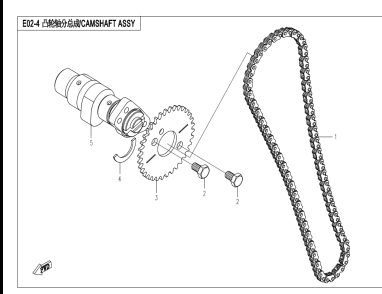
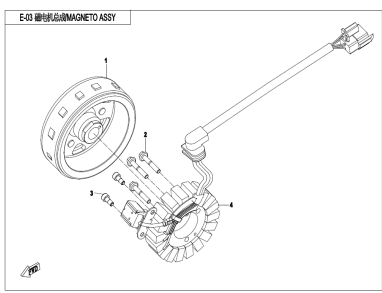
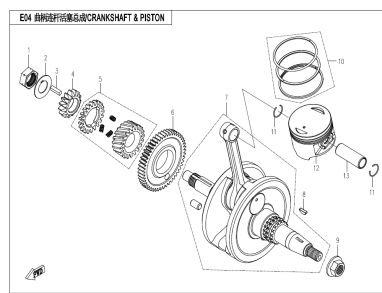
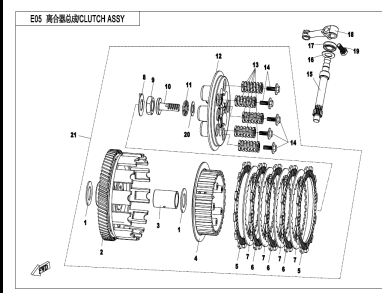
# CONTENTS—FRAME GROUP

<p><b>F07</b></p> <p style="text-align: center;"><b>PLASTICS VII</b></p> 	<p><b>F05</b></p> <p style="text-align: center;"><b>FRONT SUSPENSION</b></p> 	<p><b>F06</b></p> <p style="text-align: center;"><b>REAR SUSPENSION</b></p> 
<p><b>F07</b></p> <p style="text-align: center;"><b>FRONT WHEEL</b></p> 	<p><b>F08-A</b></p> <p style="text-align: center;"><b>MAB BRAKE ASSY</b></p> 	<p><b>F08-1</b></p> <p style="text-align: center;"><b>FRONT BRAKE</b></p> 
<p><b>F08-B-2</b></p> <p style="text-align: center;"><b>REAR BRAKE</b></p> 	<p><b>F10</b></p> <p style="text-align: center;"><b>STEERING SYSTEM</b></p> 	<p><b>F11</b></p> <p style="text-align: center;"><b>REAR WHEEL</b></p> 
<p><b>F12</b></p> <p style="text-align: center;"><b>FUEL TANK</b></p> 	<p><b>F13</b></p> <p style="text-align: center;"><b>SEAT</b></p> 	<p><b>F14</b></p> <p style="text-align: center;"><b>FOOTREST</b></p> 

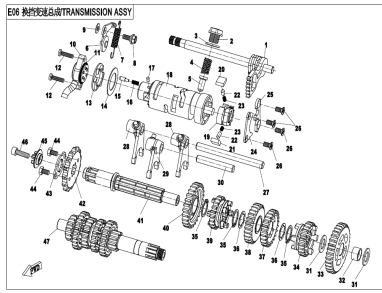
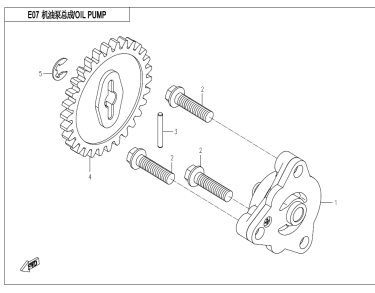
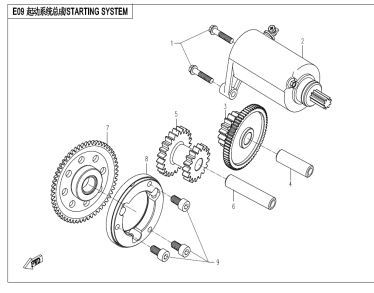
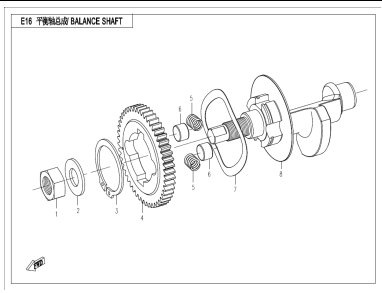
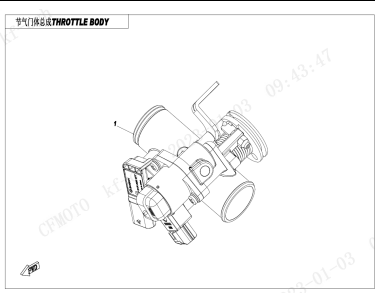
# CONTENTS—FRAME GROUP

<p><b>F15-A</b></p> <p>ELECTRIC SYSTEM (ABS)</p> 	<p><b>F15-B</b></p> <p>ELECTRIC SYSTEM (NO ABS)</p> 	<p><b>F16</b></p> <p>LIGHTS</p> 
<p><b>F17</b></p> <p>DASHBOARD</p> 	<p><b>F19-1</b></p> <p>WARNING LABEL, FUEL TANK</p> <div style="border: 1px solid black; padding: 5px;"> <p style="text-align: center;"><b>! WARNING</b></p> <p>Failure to follow these instructions may result in danger.</p> <ul style="list-style-type: none"> <li>Read the owner's manual carefully before riding. Inappropriate modification is not allowed.</li> <li>Please wear helmet, protective clothing and other protective gear.</li> <li>Do not touch overheated, rotating parts such as exhaust pipe, engine, wheel and ect.</li> <li>Please slow down on poor visibility and slippery road.</li> <li>Always follow maintenance schedule.</li> </ul> <p style="text-align: center;"><b>CFMOTO</b></p> <p style="text-align: center;">6F1A-190201-6500 EU162</p> </div>	<p><b>F19-2-A</b></p> <p>DECAL (NEBULA WHITE-NO ABS)</p> 
<p><b>F19-2-B</b></p> <p>DECAL (MOSS GREEN-ABS)</p> 	<p><b>F19-2-C</b></p> <p>DECAL (FIERY RED--ABS)</p> 	<p><b>F19-2-D</b></p> <p>DECAL (NEBULA WHITE-ABS)</p> 
<p><b>F19-3</b></p> <p>MODEL DECAL</p> <p>备用星光白 (基础版)</p> <p>工件名称: 尾灯左 (右) 护板, 材料: ABS 工件颜色: 星光白 粘贴方式: 外贴</p> <p><b>CF125-B</b></p> <p>钛金灰 X2</p>	<p><b>F20</b></p> <p>TOOLS</p> 	<p><b>F36</b></p> <p>FUEL VAPORIZATION SYSTEM</p> 
<p><b>F38</b></p> <p>OWNERS MANUAL</p> 	<p><b>F41</b></p> <p>AIR FILTER</p> 	

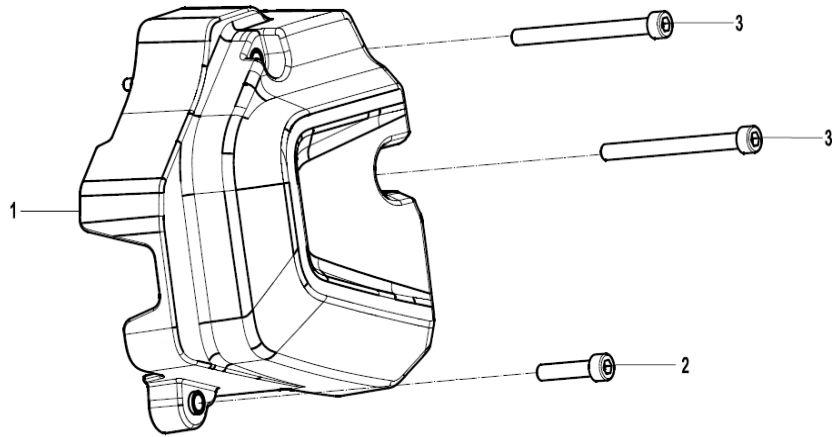
# CONTENTS—ENGINE GROUP

<p><b>E01</b></p> <p style="text-align: center;"><b>CRANKCASE</b></p>  <p style="font-size: small;">E01 曲轴箱总成/CRANKCASE ASSY.</p>	<p><b>E01-1</b></p> <p style="text-align: center;"><b>LEFT CRANKCASE</b></p>  <p style="font-size: small;">E01-1 左侧曲轴箱总成/LEFT CRANKCASE</p>	<p><b>E01-2</b></p> <p style="text-align: center;"><b>RIGHT CRANKCASE ASSY.</b></p>  <p style="font-size: small;">E01-2 右侧曲轴箱总成/RIGHT CRANKCASE</p>
<p><b>E01-3</b></p> <p style="text-align: center;"><b>RIGHT SIDE COVER ASSY.</b></p>  <p style="font-size: small;">E01-3 右侧盖总成/RIGHT SIDE COVER</p>	<p><b>E01-4</b></p> <p style="text-align: center;"><b>LEFT SIDE COVER</b></p>  <p style="font-size: small;">E01-4 左侧盖总成/LEFT SIDE COVER</p>	<p><b>E02-1</b></p> <p style="text-align: center;"><b>CYLINDER</b></p>  <p style="font-size: small;">E02-1 气缸盖总成/CYLINDER HEAD COVER</p>
<p><b>E02-2</b></p> <p style="text-align: center;"><b>CYLINDER COVER</b></p>  <p style="font-size: small;">E02-2 气缸盖总成/CYLINDER HEAD</p>	<p><b>E02-3</b></p> <p style="text-align: center;"><b>CYLINDER BODY ASSY.</b></p>  <p style="font-size: small;">E02-3 气缸筒总成/CYLINDER BODY ASSY.</p>	<p><b>E02-4</b></p> <p style="text-align: center;"><b>CAMSHAFT</b></p>  <p style="font-size: small;">E02-4 凸轮轴总成/CAMSHAFT ASSY.</p>
<p><b>E03</b></p> <p style="text-align: center;"><b>MAGNETO</b></p>  <p style="font-size: small;">E03 磁电机总成/MAGNETO ASSY.</p>	<p><b>E04</b></p> <p style="text-align: center;"><b>CRANKSHAFT /CONNECTING ROD &amp; PISTON ASSY.</b></p>  <p style="font-size: small;">E04 曲柄连杆机构总成/CRANKSHAFT &amp; PISTON</p>	<p><b>E05</b></p> <p style="text-align: center;"><b>CLUTCH(SLIPPING CLUTCH )</b></p>  <p style="font-size: small;">E05 离合器总成/CLUTCH ASSY.</p>

# CONTENTS—ENGINE GROUP

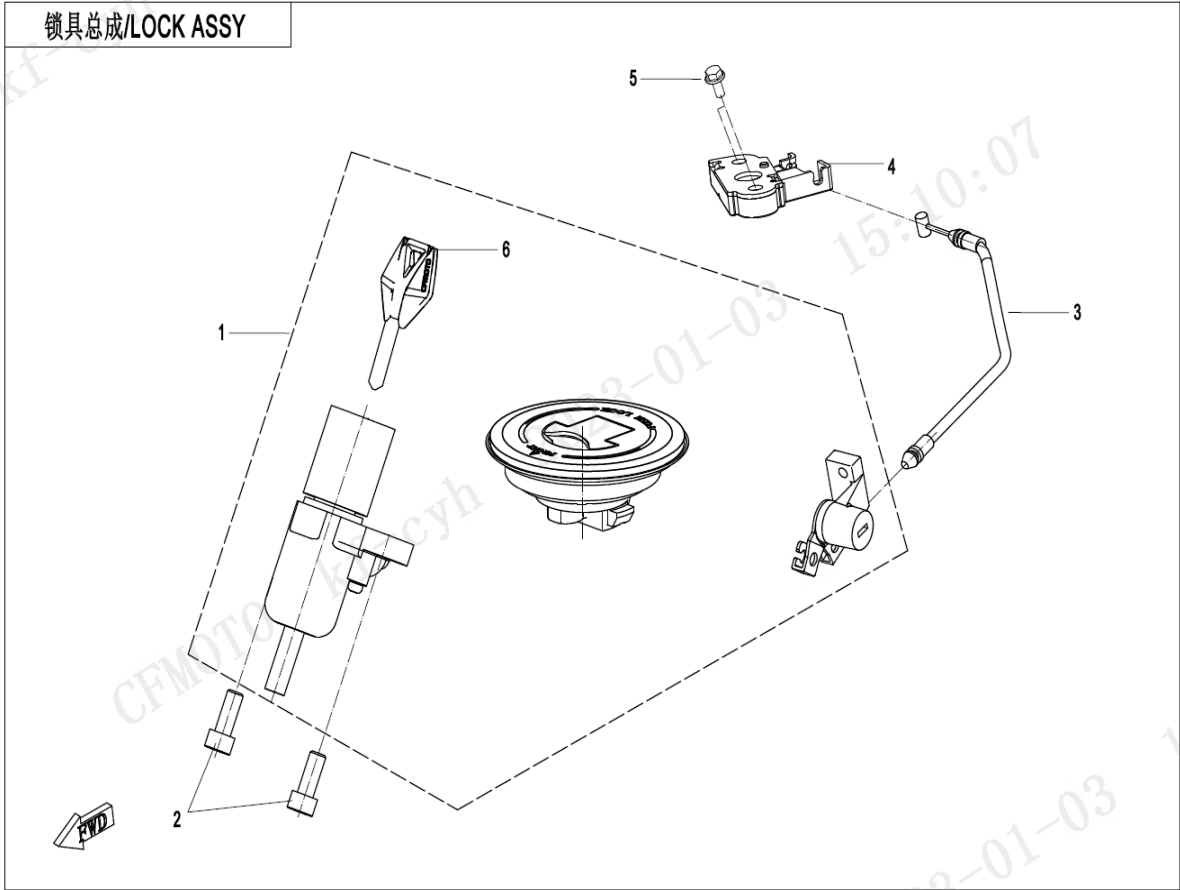
E06-1 TRANSMISSION(1)	E07 OIL PUMP	E09 STARTING SYSTEM
E06 传动系统(TRANSMISSION ASSY)	E07 机油泵(OIL PUMP)	E09 启动系统(STARTING SYSTEM)
		
E16 BALANCER SHAFT	E17 THROTTLE&INJECTOR	
E16 平衡轴(BALANCE SHAFT)	E17 节气门&喷油器(THROTTLE BODY)	
		

安装附件/ENGINE FITTINGS



### F00 ENGINE FITTINGS

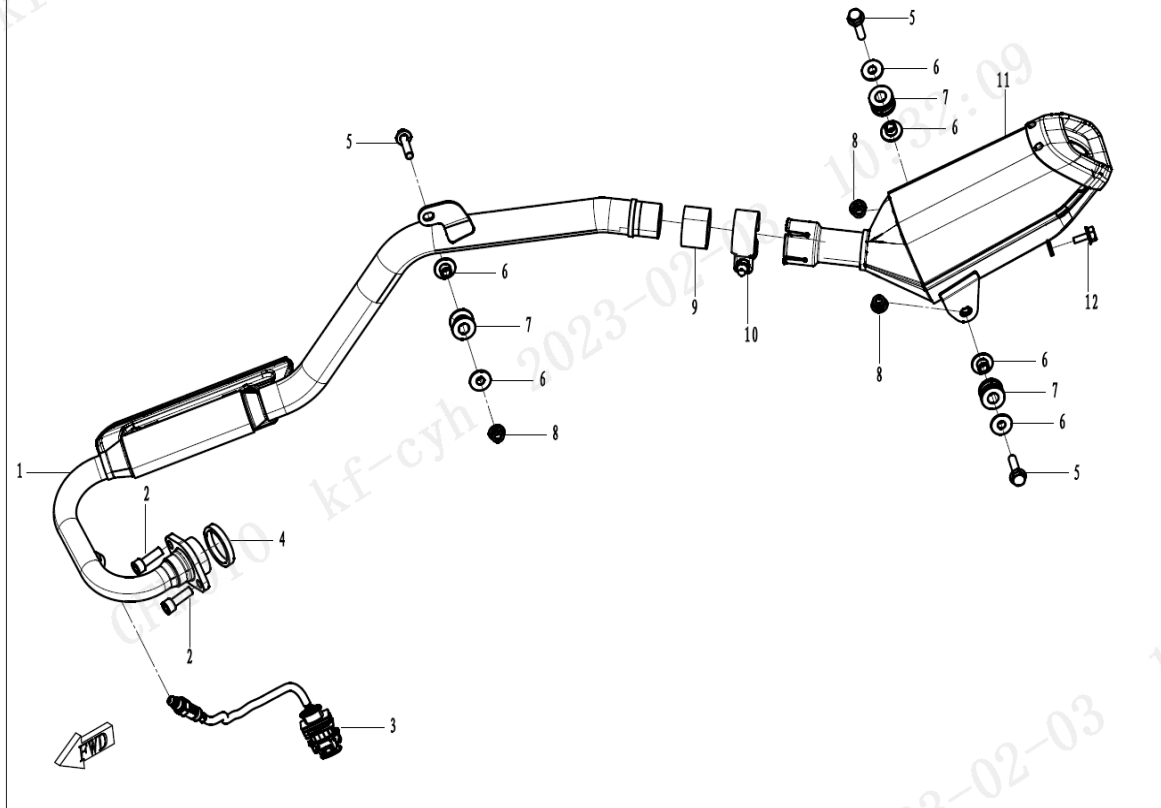
Item No.	Parts Number	Parts Name(EN)	Qty	Specification
1	6FIV-040011-7100	SMALL SPROCKET GUARD	1	
2	0010-021017-0010	BOLT M6x25	1	M6x25
3	0020-011018-00001	BOLT	2	



### F01 LOCK KIT

Item No.	Parts Number	Parts Name(EN)	Qty	Specification
01	6FIV-011000-7101	LOCK KIT	1	
02	30102-080020810	SCREW M8x20	2	M8x20
03	6FIV-010010-7100	SEAT CABLE	1	
04	6GU#-010320-6000	LOCK SEAT, SEAT	1	
05	30006-060016810	BOLT M6x16	2	M6x16
06	6FIV-011020-7100	KEY	1	

F02 消声器总成/MUFFLER COMP

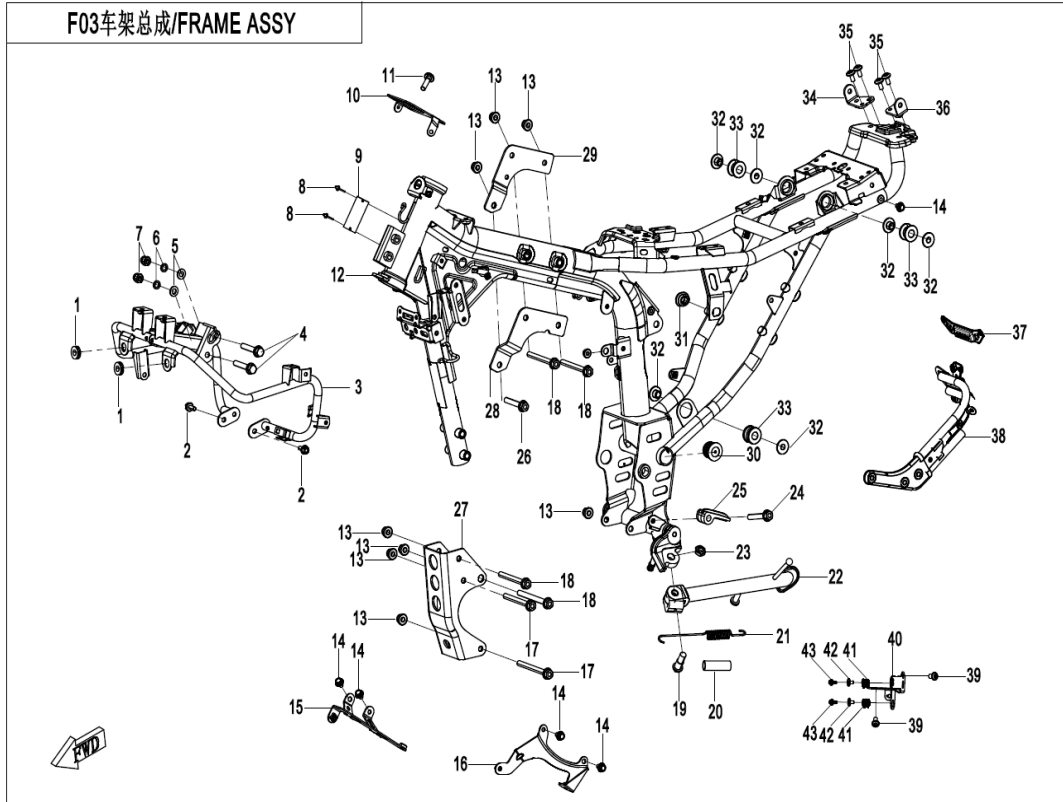


F02 MUFFLER

Item No.	Parts Number	Parts Name(EN)	Qty	Specification
1	6FIV-021100-7100	EXHAUST PIPE ASSY	1	
2	30102-080025810	SCREW M8x25	2	M8x25
3	6KMV-176000-8400	OXYGEN SENSOR	1	
4	6090-020010	GASKET, EXHAUST PORT	1	
5	30006-080035810	BOLT M8x35	3	M8x35
6	6WWV-020002-5000	BUSHING, MUFFLER BODY	6	
7	6WWV-020003-5000	RUBBER SLEEVE, MUFFLER BODY	3	
8	30204-080810	NUT M8	3	M8
9	A000-020003	SEAL SLEEVE, GRAPHITE 2	1	
10	A000-020500	CLAMP 1	1	
11	6FIV-021200-7100	REAR MUFFLER BODY	1	
12	30006-060012810	BOLT M6x12	1	M6x12



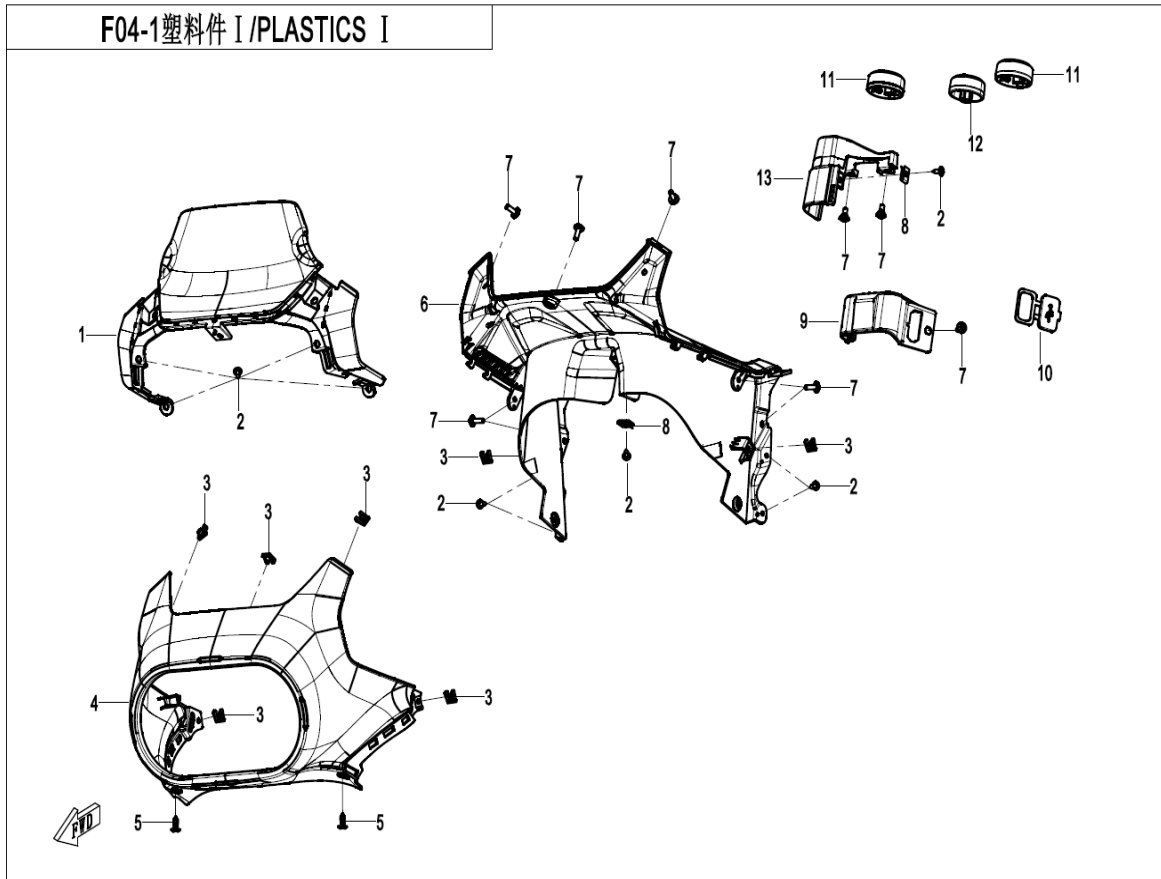
F03车架总成/FRAME ASSY



F03 FRAME

Item No.	Parts Number	Parts Name(EN)	Qty	Specification
1	9010-160101	RUBBER MAT, HEADLIGHT	2	
2	30006-060016810	BOLT M6x16	2	M6x16
3	6FIV-030400-7101	FRONT BRACKET ASSY	1	
4	30006-080045810	BOLT M8x45	2	M8x45
5	30303-080112	WASHER	2	8
6	30306-080112	WASHER	2	8
7	30206-080510	NUT M8	2	M8
8	30902-0400820	BLIND RIVET	2	4x8
9	6FIA-190012	VIN PLATE	1	
10	6FIV-030001-7100	DASHBOARD BRACKET	1	
11	30102-080016810	INNER HEX BOLT	1	
12	6FIV-031000-7101-01	FRAME ASSY	1	
13	30204-080810	NUT M8	8	M8
14	6WWW-046702-5000	INNER HEX SCREW M6x12	5	
15	6FIV-030020-7100	ENGINE RH GUARD BRACKET	1	
16	6FIV-030010-7100	ENGINE LH GUARD BRACKET	1	
17	30006-080085810	BOLT M8x85	2	M8x85
18	30006-080075810	BOLT M8x75	4	M8x75
19	A000-030006	BOLT, SIDE STAND	1	
20	A000-030004	SPRING COLLAR, SIDE STAND	1	
21	6KMV-030060-C000	SPRING KIT, SIDE STAND	1	
22	6FIV-030600-7101	SIDE STAND ASSY	1	
23	30208-102010	NUT M10x1.25	1	M10x1.25
24	30006-060035810	BOLT M6x35	1	M6x35
25	6KJO-030510	CHAIN GUARD	1	
26	30006-080050810	BOLT M8x50	1	M8x50
27	5280-030004-1000	FRONT SUSPENSION BRACKET, ENGINE	1	MATTE BLACK
28	6FI2-030002	LH UPPER BRACKET, ENGINE	1	ELECTROPHORESIS BLACK
29	6FIV-030050-7100	ENGINE RH UPPER BRACKET	1	
30	6KJO-030503	RUBBER PLUG	2	
31	8080-040064	DAMPER, FRONT FENDER	1	
32	6WWW-020002-5000	BUSHING, MUFFLER BODY	6	
33	6WWW-020003-5000	RUBBER SLEEVE, MUFFLER BODY	3	
34	6FIV-030040-7100	REAR SEAT RH BRACKET	1	
35	6WWW-046802-5000	INNER HEX SCREW M6x16	4	
36	6FIV-030030-7100	REAR SEAT LH BRACKET	1	
37	6FIV-030009-7100	REAR LICENSE BRACKET	1	
38	6FIV-030300-7100	REAR FENDER	1	
39	30006-060010810	BOLT M6x10	4	GB5789 M6x10 TRIVALENT CHROMIUM 8.8
40	6FIV-030002-7000	ABS BRACKET	1	
41	6WWW-030019-5000	RUBBER BUSHING	2	
42	6AQV-021002-1000	BUSHING	2	
43	30006-060022810	BOLT	2	@

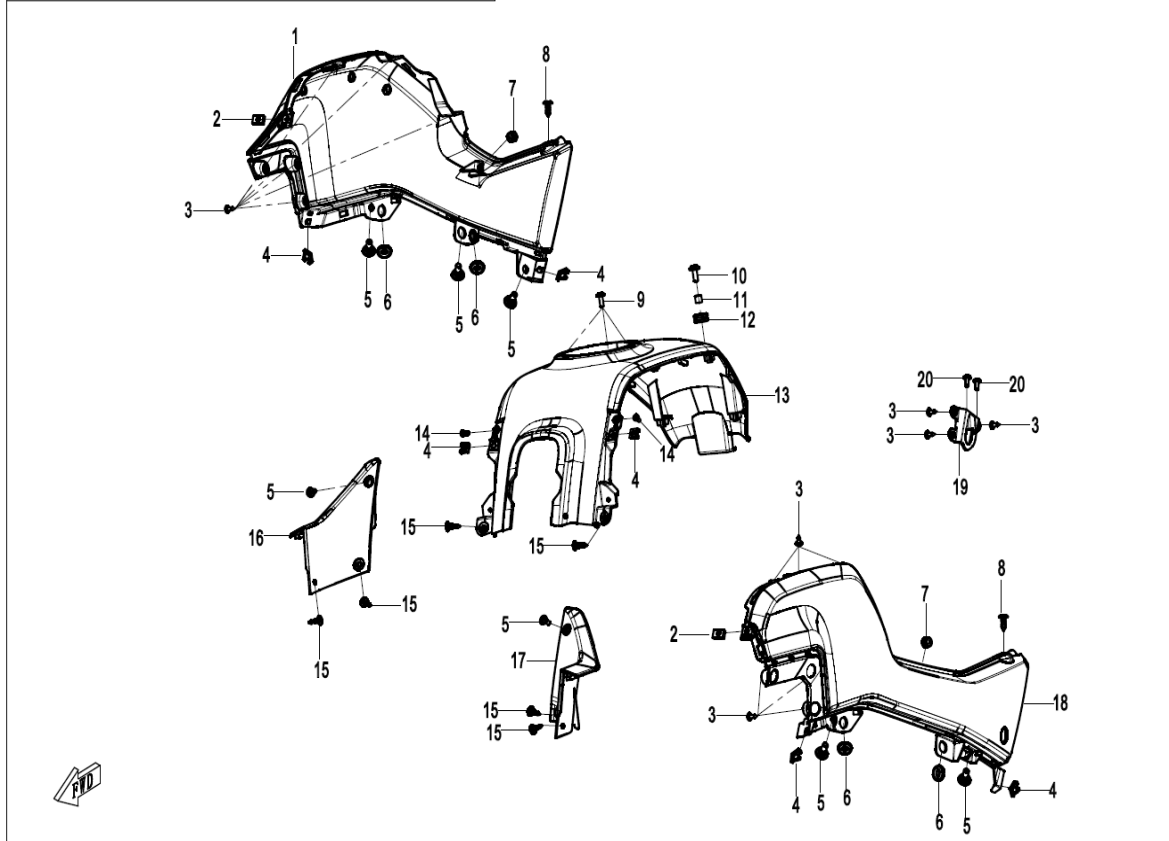
## F04-1塑料件 I /PLASTICS I



## F04-1 PLASTICS I

Item No.	Parts Number	Parts Name(EN)	Qty	Specification
1	6FIV-041603-7100	WINDSHIELD	1	
2	30110-421130010	SCREW	11	ST4.2x13
3	6KM#-040081-8000-M1	NUT CLIP M5	7	
4	6FIV-041601-7100-0VE00	HEADLIGHT PANEL	1	NEBULA WHITE
4	6FIV-041601-7100-0RM00	HEADLIGHT PANEL	1	MAGMA RED
4	6FIV-041601-7100-0GB00	HEADLIGHT PANEL	1	SPRUCE GREEN
5	8080-041130	PLASTIC SCREW	2	
6	6FIV-041602-7100	HEADLIGHT BRACKET	1	
7	6WWV-047102-5000	INNER HEX SCREW M5x14	8	
8	8010-000002	TOOL	2	ST4.2
9	6FIV-040104-7100	DASHBOARD LOWER GUARD	1	
10	6AQV-041117-1002	USB PLUG COVER	1	
11	6FIV-040511-7100	FRONT SHOCK ABSORBER UPPER LID	2	
12	6FIV-040512-7100	PIPE UPPER LID	1	
13	6FIV-040101-7100	IGNITION LOCK GUARD	1	

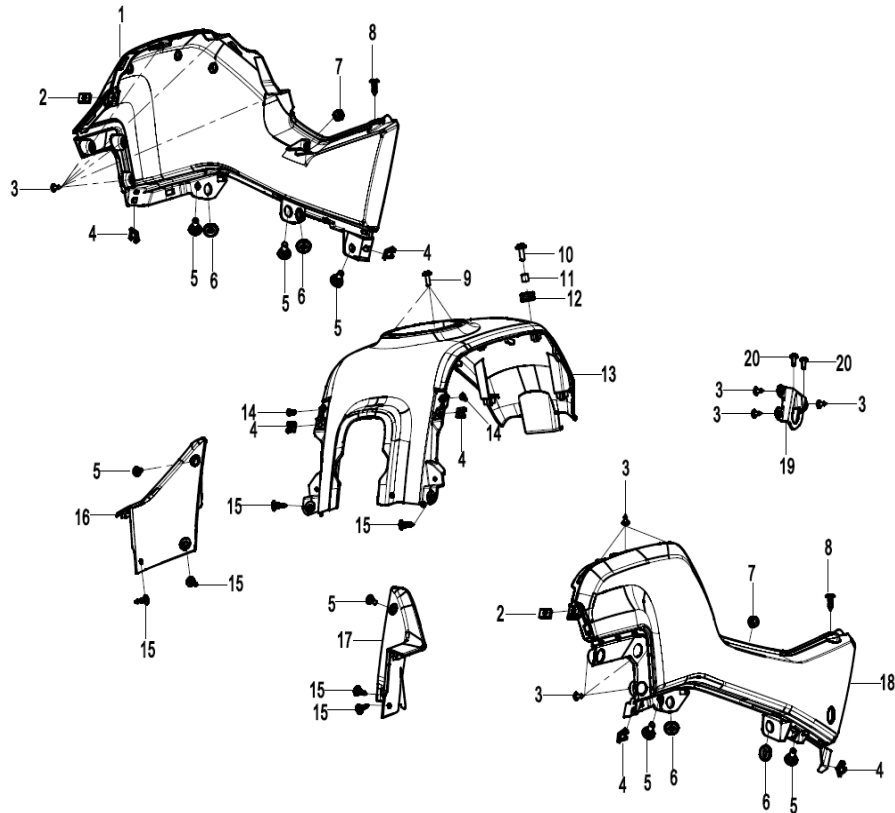
## F04-2塑料件II/PLASTICS II



## F04-2-V1 PLASTICS II

Item No.	Parts Number	Parts Name(EN)	Qty	Specification
1	6FIV-041203-7100-0VY00	FUEL TANK RH PANEL	1	NEBULA WHITE+LAVA REDISH PINK
1	6FIV-041203-7100-0VE00	FUEL TANK RH PANEL	1	NEBULA WHITE
1	6FIV-041203-7100-0GB00	FUEL TANK RH PANEL	1	SPRUCE GREEN
2	8010-000002	TOOL	2	ST4.2
3	30110-421130010	SCREW	15	ST4.2x13
4	6KM#-040081-8000-M1	NUT CLIP M5	6	
5	6WWV-046502-5000	STEPPED SCREW M5	7	
6	6FIV-040401-7100	RUBBER HEAD	4	
7	6WWV-045801-5000	RUBBER	2	
8	9060-040310	PLASTIC CLIPS	2	
9	6WWV-047102-5000	INNER HEX SCREW M5x14	3	
10	6WWV-046802-5000	INNER HEX SCREW M6x16	1	
11	6090-040302	RUBBER DAMPER	1	
12	6090-040303	BUSHING	1	
13	6FIV-041201-7102-0GB00	FUEL TANK UPPER PANEL	1	MOSS GREEN
13	6FIV-041201-7102-0RM00	FUEL TANK UPPER PANEL	1	FIERY RED
13	6FIV-041201-7102-0VE00	FUEL TANK UPPER PANEL	1	NEBULA WHITE
13	6FIV-041201-7102-0BU00	FUEL TANK UPPER PANEL	1	MIST SILVER BLACK
14	30110-420095010	SELF-TAPPING SCREW ST4.2x9.5	2	ST4.2x9.5
15	8080-041130	PLASTIC SCREW	6	
16	6FIV-041205-7100	RH FRONT PANEL	1	
17	6FIV-041204-7100	LH FRONT PANEL	1	
18	6FIV-041202-7100-0VY00	FUEL TANK LH PANEL	1	NEBULA WHITE+LAVA REDISH PINK
18	6FIV-041202-7100-0VE00	FUEL TANK LH PANEL	1	NEBULA WHITE
18	6FIV-041202-7100-0GB00	FUEL TANK LH PANEL	1	SPRUCE GREEN
19	6FIV-040102-7100	SEAT LOCK BRACKET	1	
20	30105-050012410	SCREW M5x12	2	M5x12

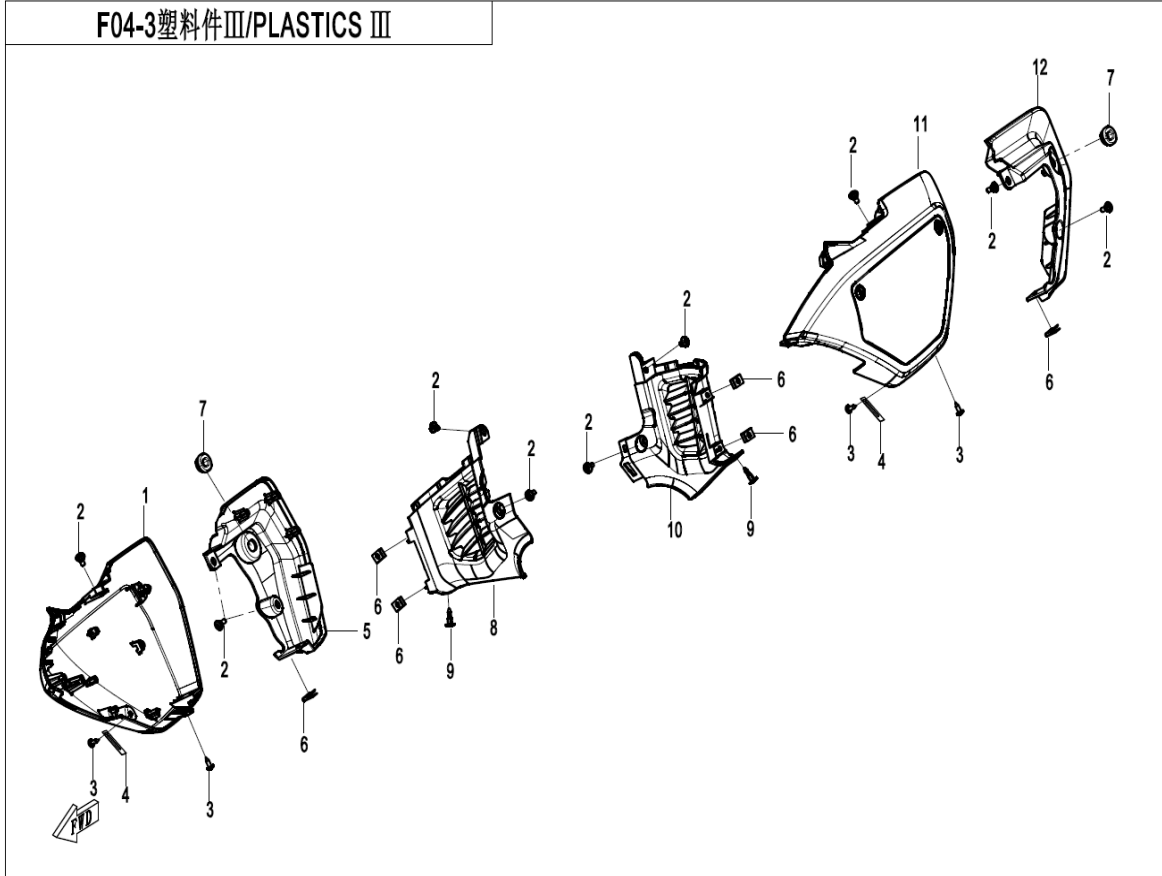
## F04-2塑料件 II / PLASTICS II



## F04-2-V2 PLASTICS II

Item No.	Parts Number	Parts Name(EN)	Qty	Specification
1	6FIV-041203-7100-0VY00	FUEL TANK RH PANEL	1	NEBULA WHITE+LAVA REDISH PINK
1	6FIV-041203-7100-0VE00	FUEL TANK RH PANEL	1	NEBULA WHITE
1	6FIV-041203-7100-0GB00	FUEL TANK RH PANEL	1	SPRUCE GREEN
2	8010-000002	TOOL	2	ST4.2
3	30110-421130010	SCREW	15	ST4.2x13
4	6KM#-040081-8000-M1	NUT CLIP M5	6	
5	6WWV-046502-5000	STEPPED SCREW M5	7	
6	6FIV-040401-7100	RUBBER HEAD	4	
7	6WWV-045801-5000	RUBBER	2	
8	9060-040310	PLASTIC CLIPS	2	
9	6WWV-047102-5000	INNER HEX SCREW M5x14	3	
10	6WWV-046802-5000	INNER HEX SCREW M6x16	1	
11	6090-040302	RUBBER DAMPER	1	
12	6090-040303	BUSHING	1	
13	6FIV-041201-7103-0GB00	FUEL TANK UPPER PANEL	1	MOSS GREEN
13	6FIV-041201-7103-0RM00	FUEL TANK UPPER PANEL	1	FIERY RED
13	6FIV-041201-7103-0VE00	FUEL TANK UPPER PANEL	1	NABULA WHITE
13	6FIV-041201-7103-0BU00	FUEL TANK UPPER PANEL	1	MIST SILVER BLACK
14	30110-420095010	SELF-TAPPING SCREW ST4.2x9.5	2	ST4.2x9.5
15	8080-041130	PLASTIC SCREW	6	
16	6FIV-041205-7100	RH FRONT PANEL	1	
17	6FIV-041204-7100	LH FRONT PANEL	1	
18	6FIV-041202-7100-0VY00	FUEL TANK LH PANEL	1	NEBULA WHITE+LAVA REDISH PINK
18	6FIV-041202-7100-0VE00	FUEL TANK LH PANEL	1	NEBULA WHITE
18	6FIV-041202-7100-0GB00	FUEL TANK LH PANEL	1	SPRUCE GREEN
19	6FIV-040102-7100	SEAT LOCK BRACKET	1	
20	30105-050012410	SCREW M5x12	2	M5x12

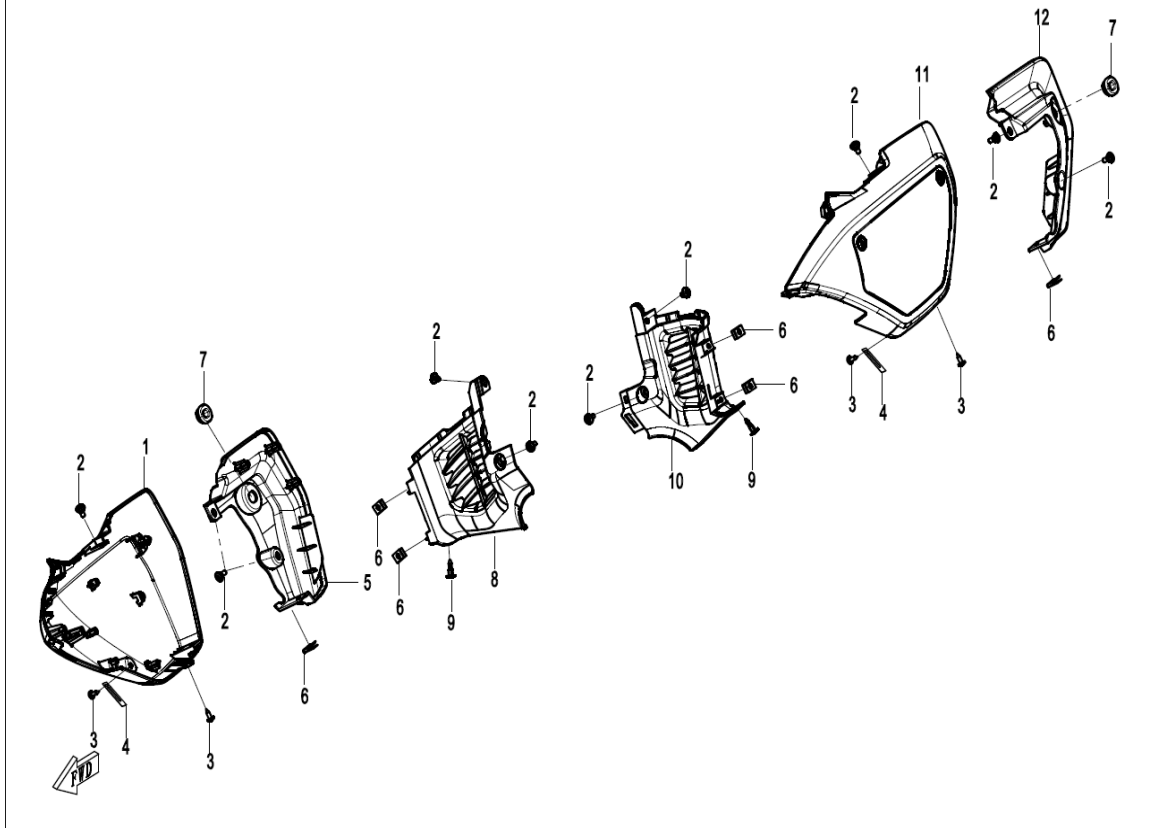
F04-3塑料件III/PLASTICS III



F04-3-V1 PLASTICS III

Item No.	Parts Number	Parts Name(EN)	Qty	Specification
1	6FIV-040302-7100-OVE00	RH FRONT PANEL	1	NEBULA WHITE
1	6FIV-040302-7100-0GB00	RH FRONT PANEL	1	SPRUCE GREEN
2	6WWV-046502-5000	STEPPED SCREW M5	10	
3	30110-421130010	SCREW	4	ST4.2x13
4	0180-014010	WIRE CLIP	2	
5	6FIV-040308-7100-0BU00	RH FRONT PANEL DECO PART	1	MIST SILVER BLACK
5	6FIV-040308-7100-0RM00	RH FRONT PANEL DECO PART	1	MAGMA RED
5	6FIV-040308-7100-0G700	RH FRONT PANEL DECO PART	1	LEMON GREEN
6	8010-000002	TOOL	6	ST4.2
7	6FIV-040401-7100	RUBBER HEAD	2	
8	6FIV-040310-7101	PIPE RH LOWER PLATE	1	
9	8080-041130	PLASTIC SCREW	2	
10	6FIV-040309-7101	PIPE LH LOWER PLATE	1	
11	6FIV-040301-7100-OVE00	LH FRONT PANEL	1	NEBULA WHITE
11	6FIV-040301-7100-0GB00	LH FRONT PANEL	1	SPRUCE GREEN
12	6FIV-040307-7100-0RM00	LH FRONT PANEL DECO PART	1	MAGMA RED
12	6FIV-040307-7100-0G700	LH FRONT PANEL DECO PART	1	LEMON GREEN
12	6FIV-040307-7100-0BU00	LH FRONT PANEL DECO PART	1	MIST SILVER BLACK

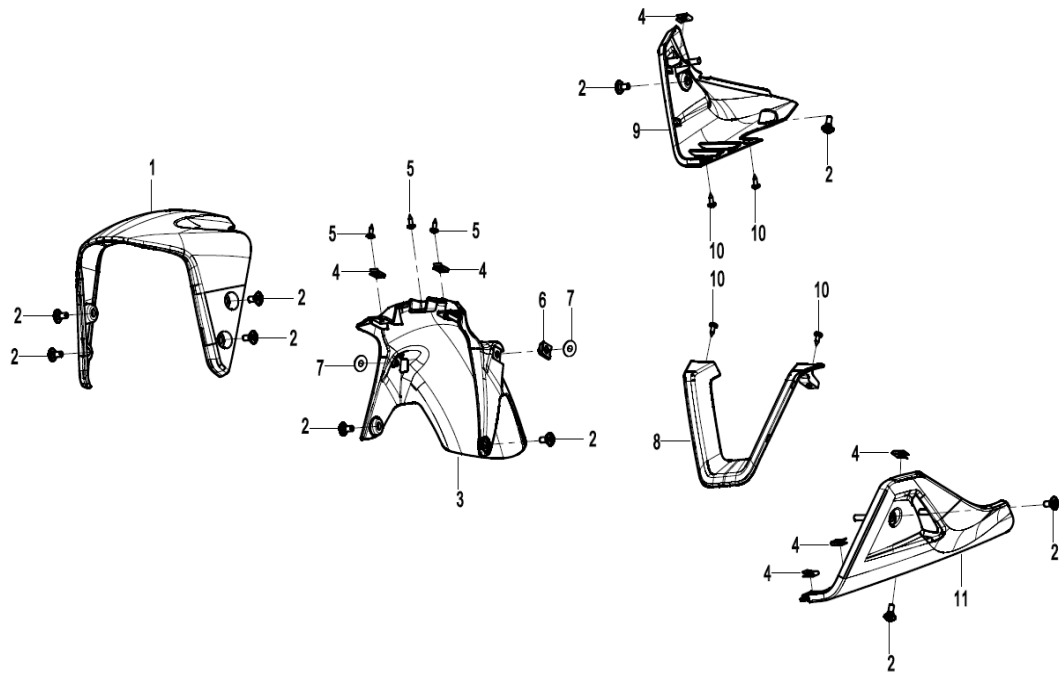
F04-3塑料件III/PLASTICS III



F04-3-V2 PLASTICS III

Item No.	Parts Number	Parts Name(EN)	Qty	Specification
1	6FIV-040302-7100-0VE00	RH FRONT PANEL	1	NEBULA WHITE
1	6FIV-040302-7100-0GB00	RH FRONT PANEL	1	SPRUCE GREEN
2	6WWV-046502-5000	STEPPED SCREW M5	10	
3	30110-421130010	SCREW	4	ST4.2x13
4	0180-014010	WIRE CLIP	2	
5	6FIV-040308-7100-0BU00	RH FRONT PANEL DECO PART	1	MIST SILVER BLACK
5	6FIV-040308-7100-0RM00	RH FRONT PANEL DECO PART	1	MAGMA RED
5	6FIV-040308-7100-0G700	RH FRONT PANEL DECO PART	1	LEMON GREEN
6	8010-000002	TOOL	6	ST4.2
7	6FIV-040401-7100	RUBBER HEAD	2	
8	6FIV-040310-7102	PIPE PLATE	1	
9	8080-041130	PLASTIC SCREW	2	
10	6FIV-040309-7102	PIPE PLATE	1	
11	6FIV-040301-7100-0VE00	LH FRONT PANEL	1	NEBULA WHITE
11	6FIV-040301-7100-0GB00	LH FRONT PANEL	1	SPRUCE GREEN
12	6FIV-040307-7100-0RM00	LH FRONT PANEL DECO PART	1	MAGMA RED
12	6FIV-040307-7100-0G700	LH FRONT PANEL DECO PART	1	LEMON GREEN
12	6FIV-040307-7100-0BU00	LH FRONT PANEL DECO PART	1	MIST SILVER BLACK

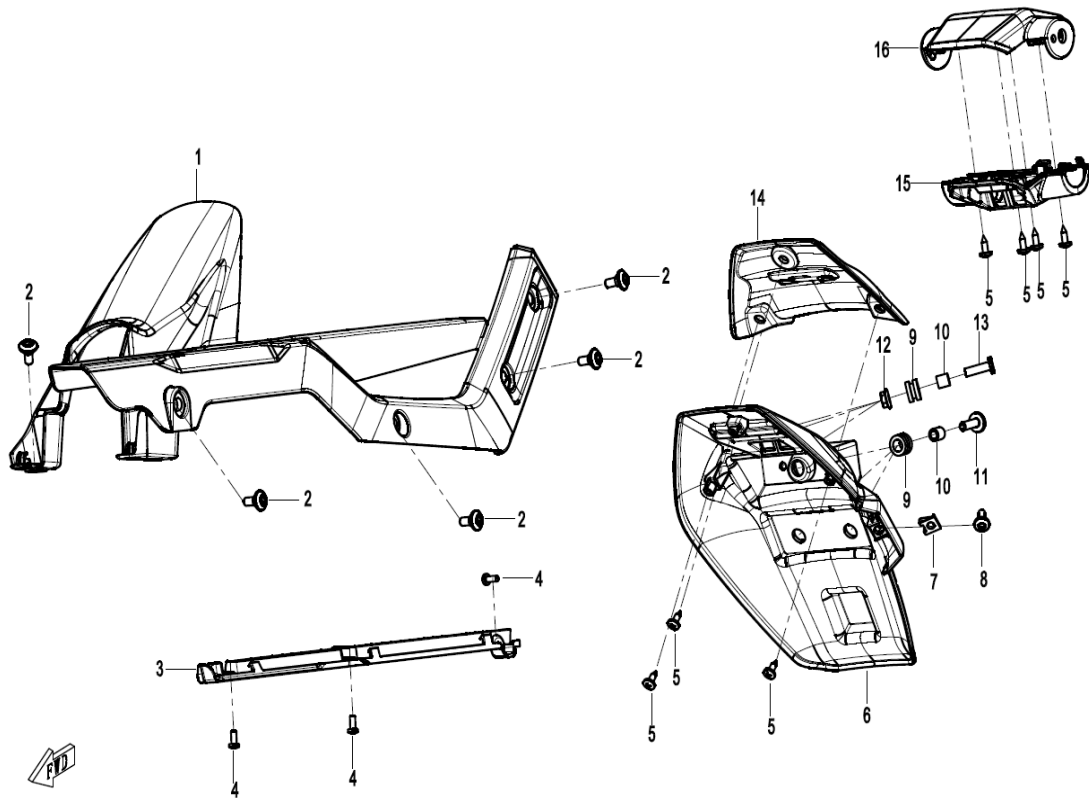
F04-4塑料件IV/PLASTICS IV



F04-4 PLASTICS IV

Item No.	Parts Number	Parts Name(EN)	Qty	Specification
1	6FIV-040501-7100-0BU00	FRONT FENDER FRONT PART	1	MIST SILVER BLACK
1	6FIV-040501-7100-0VE00	FRONT FENDER FRONT PART	1	NEBULA WHITE
2	6WWV-046602-5000	INNER HEX STEPPED SCREW M6x14	10	
3	6FIV-040502-7100	FRONT FENDER REAR PART	1	
4	8010-000002	TOOL	6	ST4.2
5	30110-421130010	SCREW	3	ST4.2x13
6	8030-040800-00001	NUT CLIP M6	1	M6
7	30305-060112	WASHER	2	6
8	6FIV-040001-7100	ENGINE FRONT PANEL	1	
9	6FIV-040003-7100-0VE00	ENGINE RH LOWER PANEL	1	NEBULA WHITE
9	6FIV-040003-7100-0GB00	ENGINE RH LOWER PANEL	1	SPRUCE GREEN
9	6FIV-040003-7100-0BU00	ENGINE RH LOWER PANEL	1	MIST SILVER BLACK
10	30110-420160070	SCREW	4	
11	6FIV-040002-7100-0VE00	ENGINE LH LOWER PANEL	1	NEBULA WHITE
11	6FIV-040002-7100-0GB00	ENGINE LH LOWER PANEL	1	SPRUCE GREEN
11	6FIV-040002-7100-0BU00	ENGINE LH LOWER PANEL	1	MIST SILVER BLACK

F04-5塑料件 V/PLASTICS V

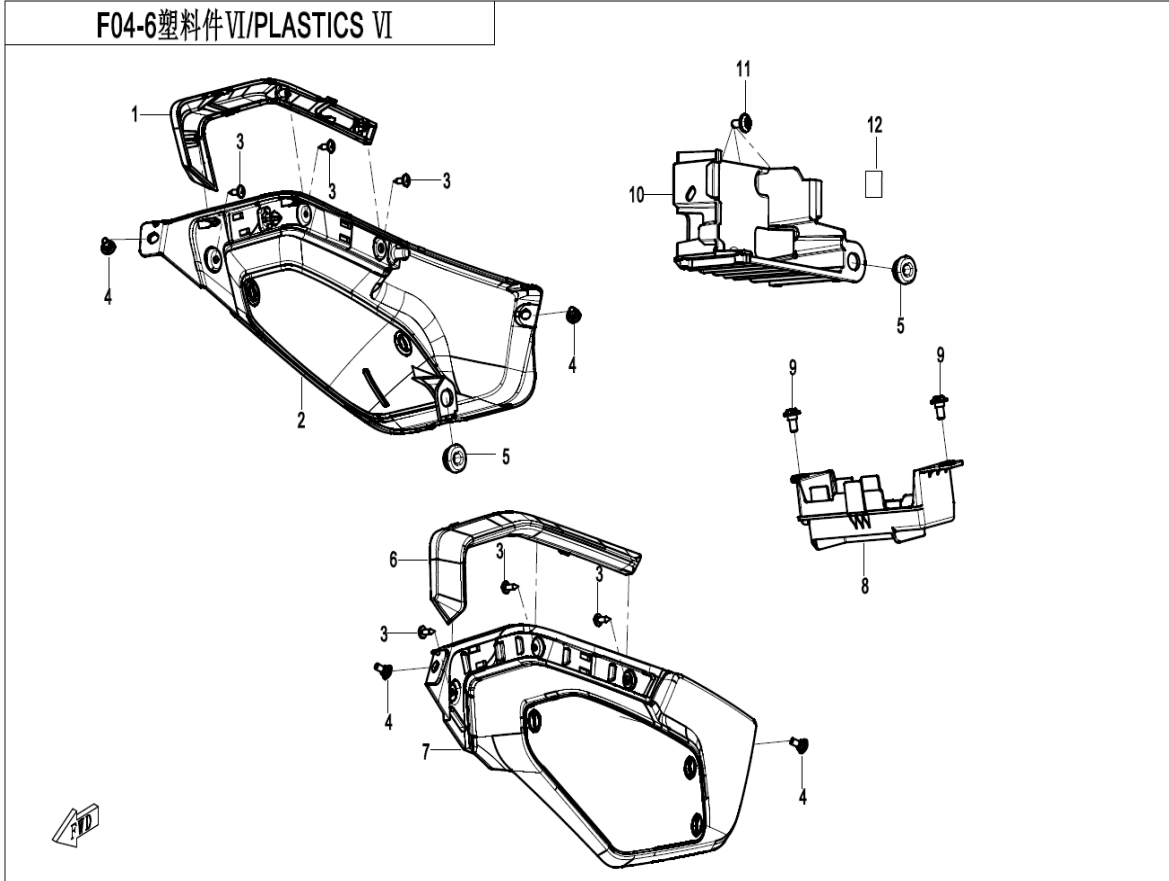


F04-5 PLASTICS V

Item No.	Parts Number	Parts Name(EN)	Qty	Specification
1	6FIV-040601-7100	REAR INNER FENDER	1	
2	6WWV-046602-5000	INNER HEX STEPPED SCREW M6x14	5	
3	6FIV-040602-7101	INNER COVER, REAR INNER FENDER	1	
4	30118-420095010	SELF-TAPPING SCREW ST4.2x9.5	3	ST4.2x9.5
5	30110-421130010	SCREW	7	ST4.2x13
6	6FIV-040611-7100	REAR FENDER	1	
7	6KM#-040081-8000-M1	NUT CLIP M5	1	
8	6WWV-047102-5000	INNER HEX SCREW M5x14	1	
9	6KM#-040302-8000	DAMPING RUBBER SLEEVE	6	
10	6090-040303	BUSHING	6	
11	6WWV-046902-5000	INNER HEX SCREW M6x20	3	
12	30204-060810	NUT M6	3	M6
13	6WWV-047102-5000	INNER HEX SCREW M5x14	3	
14	6FIV-040612-7100	REAR FENDER INNER COVER	1	
15	6FIV-041512-7100	LISENCE PLATE LIGHT LOWER COVER	1	
16	6FIV-041511-7100	LISENCE PLATE LIGHT UPPER COVER	1	



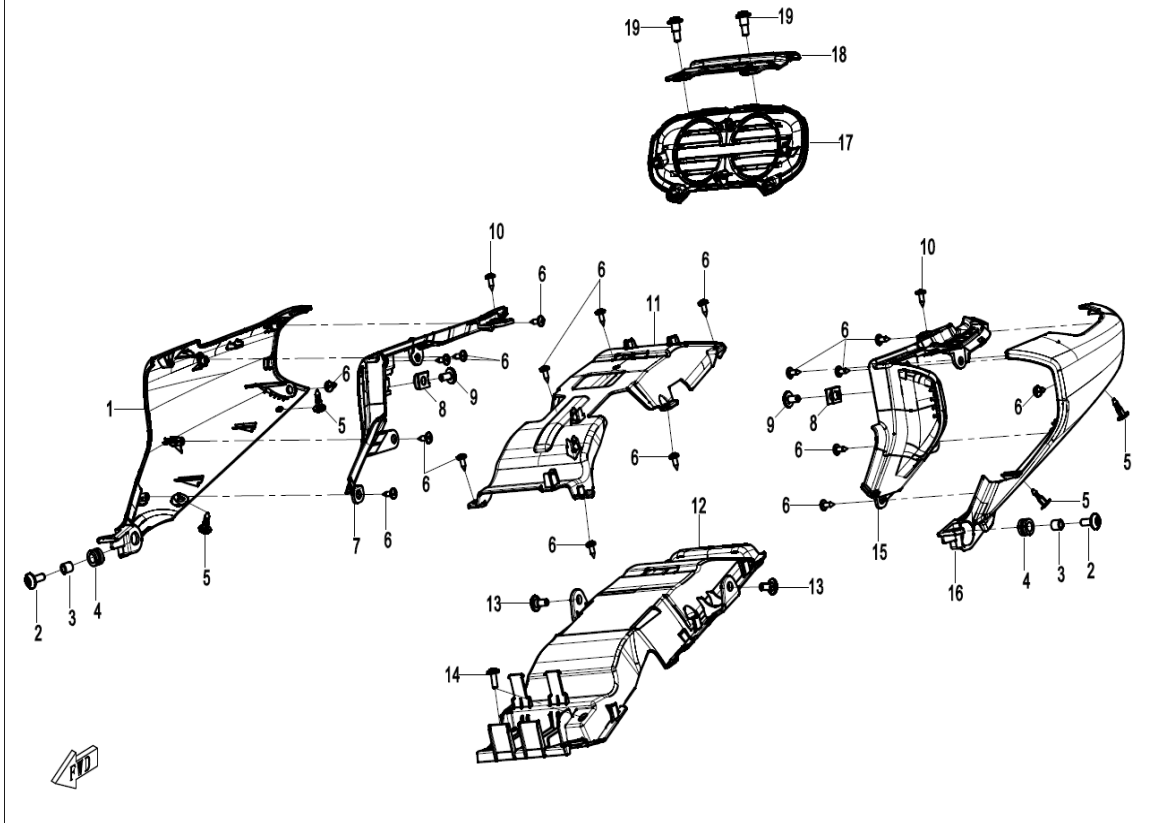
F04-6塑料件VI/PLASTICS VI



F04-6 PLASTICS VI

Item No.	Parts Number	Parts Name(EN)	Qty	Specification
1	6FIV-040314-7100-0VR00	RH SIDE COVER DECO PART	1	ELECTRO SILVER
2	6FIV-040312-7100	RH SIDE COVER	1	
3	30110-421130010	SCREW	6	ST4.2x13
4	6WWV-046502-5000	STEPPED SCREW M5	4	
5	6FIV-040401-7100	RUBBER HEAD	2	
6	6FIV-040313-7100-0VR00	LH SIDE COVER DECO PART	1	ELECTRO SILVER
7	6FIV-040311-7100	LH SIDE COVER	1	
8	6FIV-041501-7100	ELECTRIC APPLIANCE BOX	1	
9	6WWV-046602-5000	INNER HEX STEPPED SCREW M6x14	2	
10	6FIV-041502-7100	BATTERY BOX	1	
11	6WWV-046702-5000	INNER HEX SCREW M6x12	3	
12	9010-120008	FUEL TANK SPONGE	5	

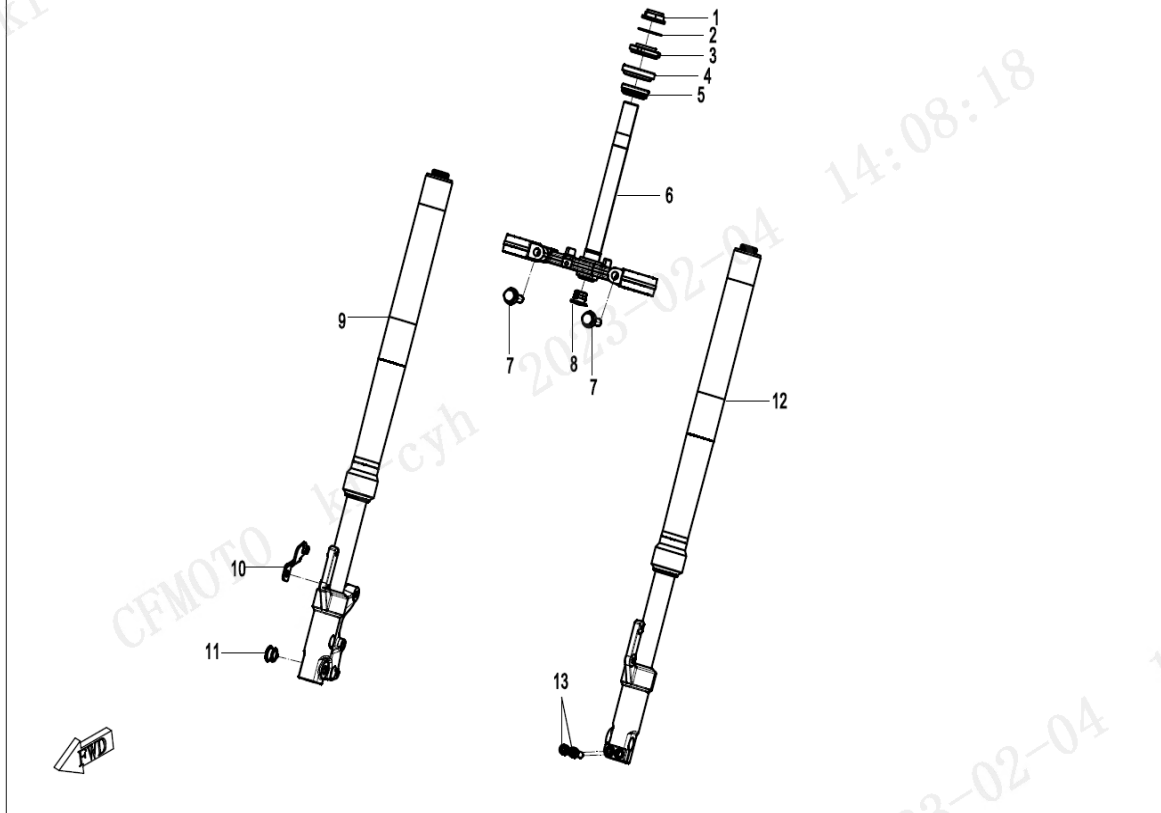
F04-7塑料件VII/PLASTICS VII



F04-7 PLASTICS VII

Item No.	Parts Number	Parts Name(EN)	Qty	Specification
1	6FIV-041614-7100-0VE00	TAILLIGHT RH PANEL	1	NEBULA WHITE
2	6WWV-046802-5000	INNER HEX SCREW M6×16	2	
3	6090-040303	BUSHING	2	
4	6KM#-040302-8000	DAMPING RUBBER SLEEVE	2	
5	8080-041130	PLASTIC SCREW	4	
6	30110-421130010	SCREW	18	ST4.2x13
7	6FIV-041617-7101	TAIL LIGHT RH PANEL DECO	1	
8	8030-040800-00001	NUT CLIP M6	2	M6
9	6WWV-046702-5000	INNER HEX SCREW M6x12	2	
10	30110-420095010	SELF-TAPPING SCREW ST4.2x9.5	2	ST4.2x9.5
11	6FIV-040321-7100	REAR FRAME BASE	1	
12	6FIV-040322-7100	REAR FRAME PLATE	1	
13	6WWV-046602-5000	INNER HEX STEPPED SCREW M6x14	2	
14	6WWV-047102-5000	INNER HEX SCREW M5x14	2	
15	6FIV-041616-7101	TAIL LIGHT LH PANEL DECO	1	
16	6FIV-041613-7100-0VE00	TAILLIGHT LH PANEL	1	NEBULA WHITE
17	6FIV-041611-7100	TAIL LIGHT GUARD	1	
18	6FIV-041615-7100-0VE00	TAILLIGHT UPPER PANEL	1	NEBULA WHITE
19	6NQ#-000202-6001	BOLT	2	

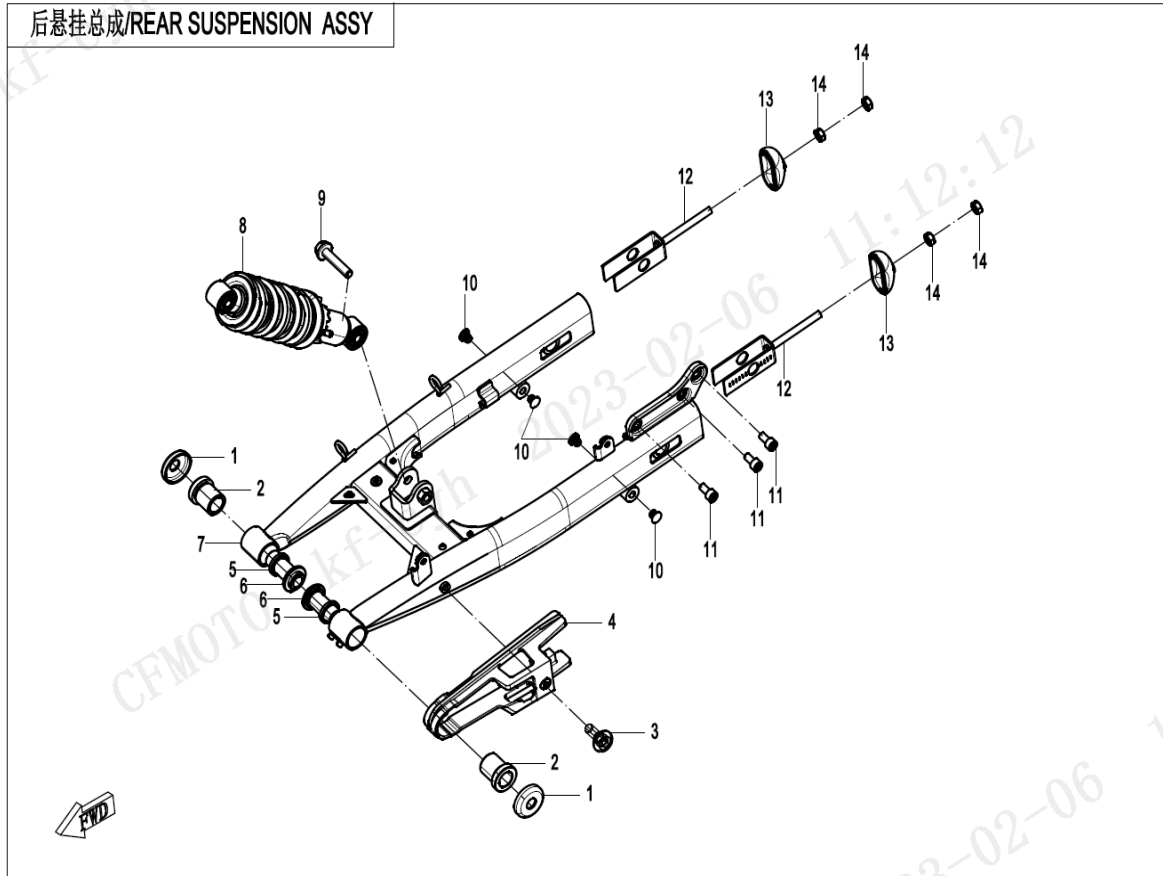
F05 前悬挂/FRONT SUSPENSION



F05 FRONT SUSPENSION

Item No.	Parts Number	Parts Name(EN)	Qty	Specification
1	0180-062107-00001	LOCK NUT, BEVEL GEAR	1	
2	8030-050006	GASKET, UPPER TRIPLE CLAMP	1	
3	5280-050004	LOCK NUT	1	
4	5280-050100	UPPER STEERING BEARING ASSY	1	
5	5280-050200	LOWER STEERING BEARING ASSY	1	
6	6FIV-050300-7000	LOWER TRIPLE CLAMP, FRONT FORK PIPE	1	
7	30006-102035810	BOLT M10x1.25x35	2	M10x1.25x35
8	6FIV-050011-7000	RUBBER PLUG	1	
9	6FIV-050200-7101-M1	FRONT RH SHOCK ABSORBER	1	
10	6FIV-050030-7100	FRONT FENDER REAR RH BRACKET ASSY	1	
11	6FIV-050401-7000	RUBBER PLUG	1	
12	6FIV-050100-7101-M1	FRONT LH SHOCK ABSORBER	1	
13	30102-080030810	SCREW	2	M8x30

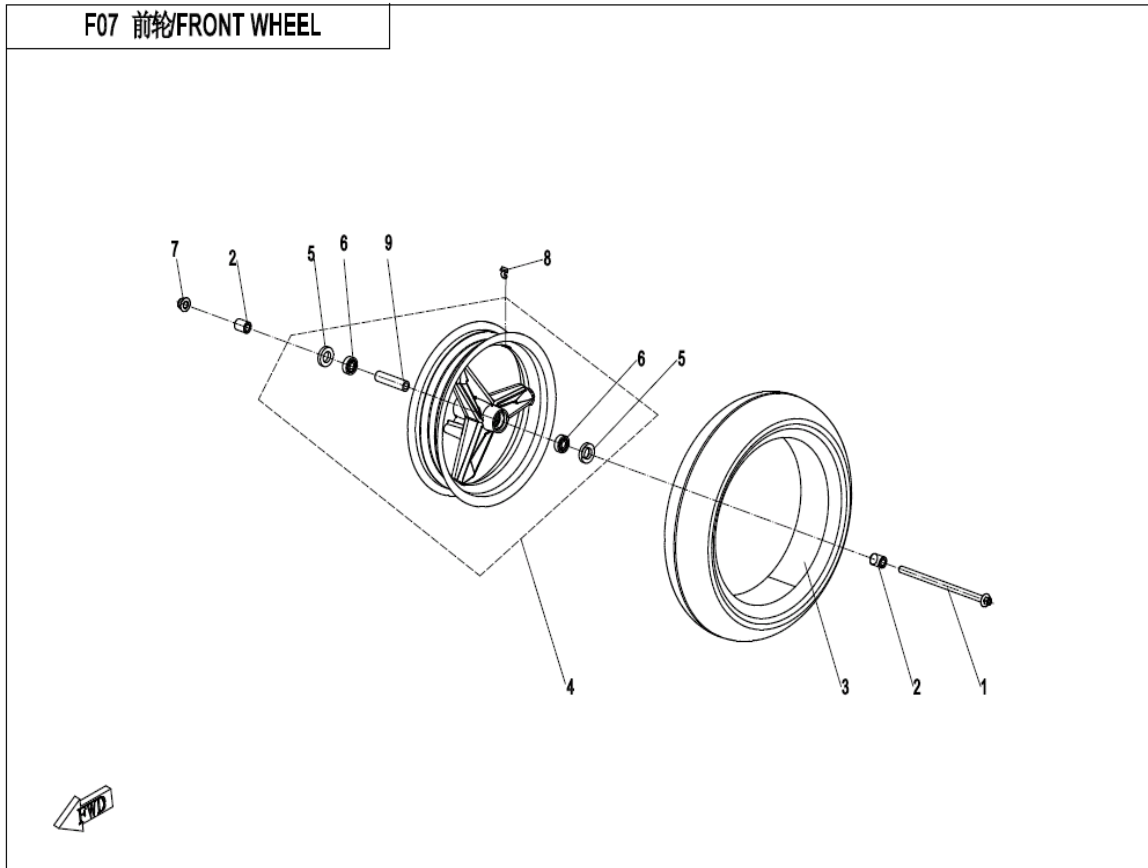
后悬挂总成/REAR SUSPENSION ASSY



### F06 REAR SUSPENSION

Item No.	Parts Number	Parts Name(EN)	Qty	Specification
1	6KMV-060010-8001	DUST BOOT COVER 1, REAR SWING ARM	2	
2	6100-060008	OUTER BUSHING, REAR SWING ARM	2	
3	6WWW-046602-5000	INNER HEX STEPPED SCREW M6x14	1	
4	6FIV-060001-7001	CHAIN GUARD	1	
5	6090-060005	ANTI-DUST RING	2	
6	6KJ0-060004-00001	RH INNER BUSHING, REAR FORK	2	
7	6FIV-060300-7000	REAR FORK	1	
8	6FIV-060100-7100-M1	REAR SHOCK ABSORBER	1	
9	30006-102050810	BOLT M10x1.25x50	1	M10x1.25x50
10	6KM#-100002-8000	PLUG	4	
11	30102-080016810	INNER HEX BOLT	3	
12	6FIV-060020-7000	CHAIN ADJUSTER ASSY	2	
13	A000-060201-0BB0	CAP, CHAIN ADJUSTER	2	PLASTIC POWDER
14	30200-080810	NUT M8	4	M8

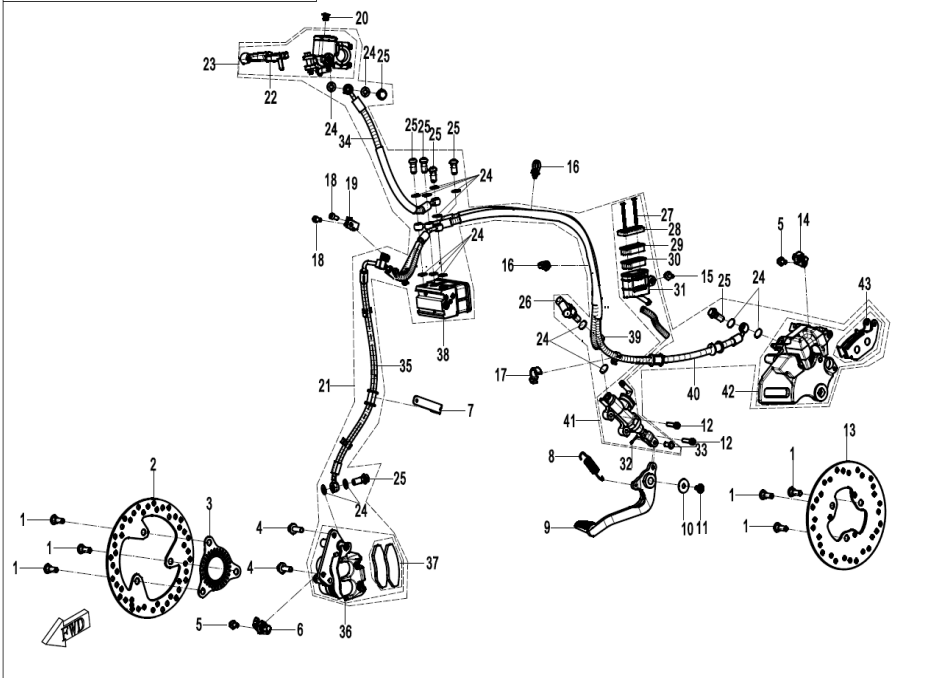
F07 前轮/FRONT WHEEL



F07 FRONT WHEEL

Item No.	Parts Number	Parts Name(EN)	Qty	Specification
01	6FIV-070001-7100	FRONT WHEEL SHAFT	1	
02	6KJ0-070002	COLLAR, FRONT WHEEL AXLE	2	
03	30704-1209	TIRE	1	
04	6FIV-070100-7100-0B200	FRONT RIM ASSY	1	
05	6KJV-070103-8000	OIL SEAL	1	
06	30400-01280	BEARING	2	6201-2RS
07	30204-122810	NUT M12x1.25	1	M12x1.25
08	5190-070030-1000	VALVE, INFLATION	1	
09	6FIV-070102-6000	MIDDLE BUSHING, FRONT RIM	1	

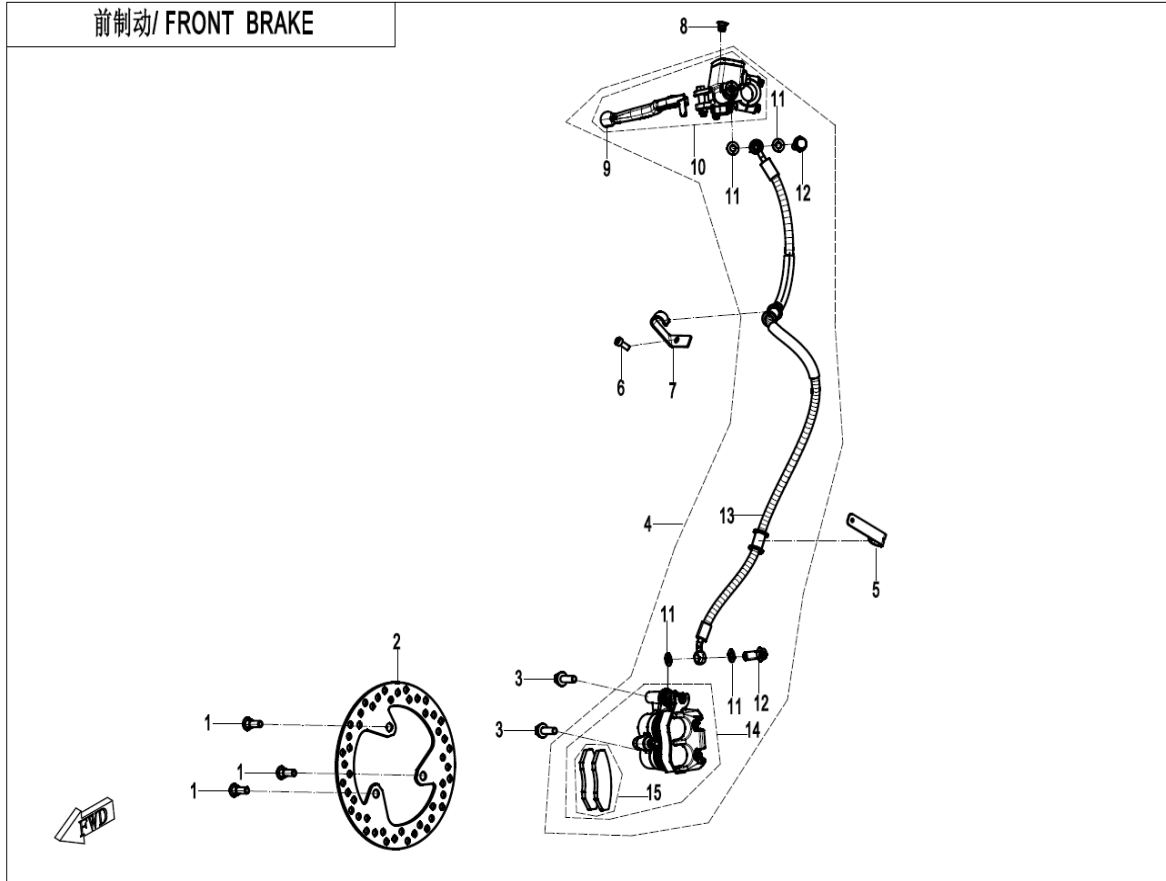
液压制动总成 / HYDRAULIC BRAKE ASSY



F08-A MAB BRAKE ASSY

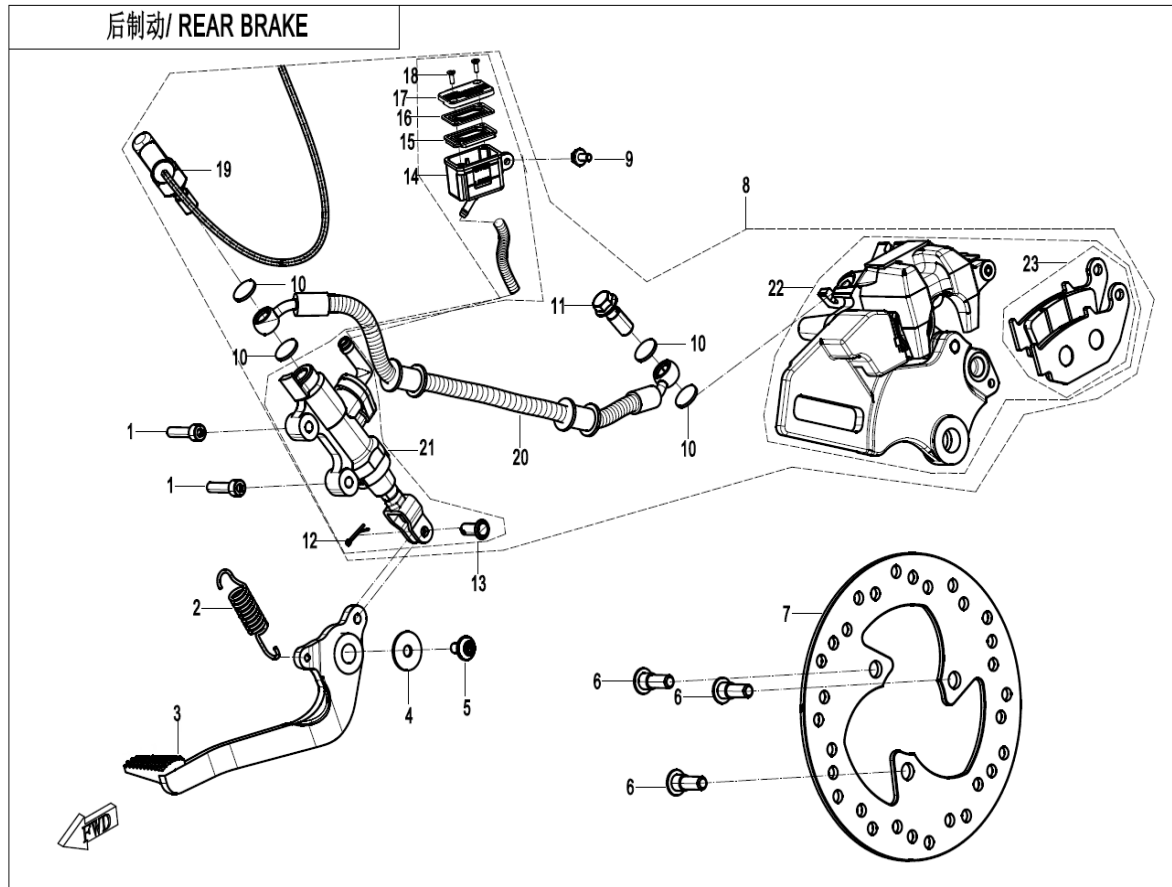
Item No.	Parts Number	Parts Name(EN)	Qty	Specification
1	8010-080118	BOLT, BRAKE DISC	6	
2	6F13-080001	FRONT BRAKE DISC	1	
3	6F1V-080003-7000	FRONT GEAR RING	1	
4	30006-080025870	BOLT	2	M8x25
5	30006-060012870	BOLT M6x12	2	M6x12
6	6F1V-080004-7000-M1	SPEED SENSOR	1	
7	6F1V-080006-7100	BRAKE FLUID CLIP 2	1	
8	6F13-080003	RETURN SPRING, REAR BRAKE	1	
9	6F1V-080300-7100	REAR BRAKE PEDAL ASSY	1	
10	A000-080006-10000	WASHER 1	1	
11	6WWWV-046702-5000	INNER HEX SCREW M6x12	1	
12	30102-060025810	SCREW M6x25	2	M6x25
13	6F1V-080010-7000	REAR BRAKE DISC ASSY	1	
14	6NTV-080004-4101-M1	SPEED SENSOR	1	
15	30006-060012810	BOLT M6x12	1	M6x12
16	801F-100101	TIE BAND	2	
17	EAEV-080006-1000	WIRE CLIP, BRAKE FLUID HOSE	6	
18	30102-060012810	SCREW	2	
19	6F1V-080007-7000	BRAKE FLUID BRACKET	1	
20	6KM#-100002-8000	PLUG	1	
21	6F1V-081000-7002-M1	MAB HYDRAULIC BRAKE ASSY	1	
22	6KMV-081100-B100-M1	HAND BRAKE PUMP ASSY	1	
23	6KMV-081100-B000-20	BRAKE LEVER	1	
24	6KM#-081000-8100-20	REATAINER	16	
25	6KM#-080103-8101	BOLT, FUEL PIPE	7	
26	6KMV-081700-C000-M1	HYDRAULIC SENSOR SWITCH	1	
27	A000-080229-2000	SCREW, FLUID RESERVOIR CAP	2	
28	6KM0-091201-20000	CAP, FLUID RESERVOIR	1	
29	6KM0-091202-20000	SEALING LINER, FLUID RESERVOIR	1	
30	6KM0-091203-20000	SEALING GASKET, FLUID RESERVOIR	1	
31	6KM0-091204-20000	FLUID RESERVOIR	1	
32	30903-0201640	COTTER PIN	1	
33	30904-0602240	PIN SHAFT	1	
34	6F1V-081010-7000	FLUID INLET PIPE, FRONT BRAKE	1	
35	6F1V-081020-7001	FRONT BRAKE FLUID OUTLET HOSE	1	
36	6F1V-080120-7100-M1	FRONT BRAKE CALIPER ASSY	1	
37	6F1V-080120-71A0-M1	FRONT BRAKE PAD ASSY	1	
38	6F1V-081100-7000-M1	MAB EXECUTION UNIT	1	
39	6F1V-081030-7000	FLUID INLET PIPE, REAR BRAKE	1	
40	6F1V-081040-7000	REAR BRAKE FLUID OUTLET HOSE	1	
41	6F1V-081200-7000-M1	REAR BRAKE MASTER CYLINDER	1	
42	6F1V-080220-7100-M1	REAR BRAKE CALIPER ASSY	1	
43	6F1V-080220-71A0-M1	REAR BRAKE PAD ASSY	1	

前制动/ FRONT BRAKE



F08-B-1 FRONT BRAKE

Item No.	Parts Number	Parts Name(EN)	Qty	Specification
1	8010-080118	BOLT, BRAKE DISC	3	
2	6FI3-080001	FRONT BRAKE DISC	1	
3	30006-080025870	BOLT	2	M8x25
4	6FIV-080100-7100-M1	FRONT HYDRAULIC BRAKE ASSY	1	
5	6FIV-080006-7100	BRAKE FLUID CLIP 2	1	
6	30102-060012810	SCREW	1	
7	6FIV-080005-7000	BRAKE FLUID CLIP 2	1	
8	6KM#-100002-8000	PLUG	1	
9	6KMV-081100-2000-20	BRAKE LEVER	1	
10	6KMV-081100-2000-M1	MASTER CYLINDER, HAND BRAKE	1	
11	6KM#-081000-8100-20	REATAINER	4	
12	6KM#-080103-8101	BOLT, FUEL PIPE	2	
13	6FIV-080110-7100	FRONT BRAKE PIPE	1	
14	6FIV-080120-7100-M1	FRONT BRAKE CALIPER ASSY	1	
15	6FIV-080120-71A0-M1	FRONT BRAKE PAD ASSY	1	

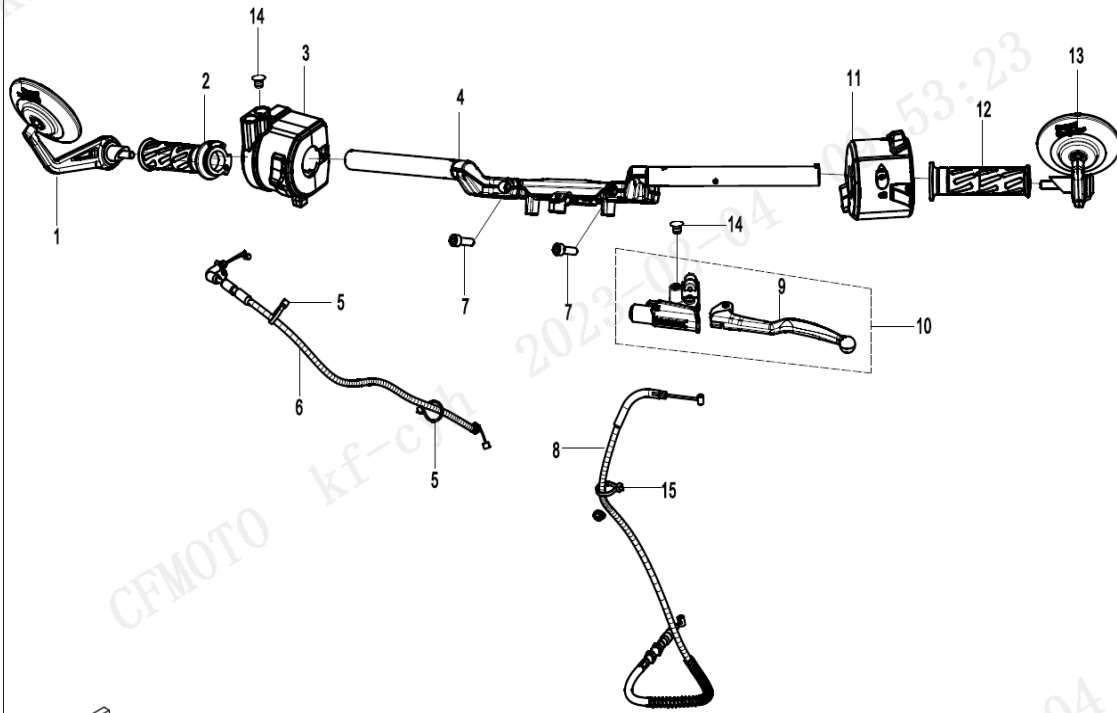


## F08-B-2 REAR BRAKE

Item No.	Parts Number	Parts Name(EN)	Qty	Specification
1	30102-060025810	SCREW M6x25	2	M6x25
2	6FI3-080003	RETURN SPRING, REAR BRAKE	1	
3	6FIV-080300-7100	REAR BRAKE PEDAL ASSY	1	
4	A000-080006-10000	WASHER 1	1	
5	6WWV-046702-5000	INNER HEX SCREW M6x12	1	
6	8010-080118	BOLT, BRAKE DISC	3	
7	6FI3-080002	REAR BRAKE DISC	1	
8	6FIV-080200-7101-M1	REAR HYDRAULIC BRAKE ASSY	1	
9	30006-060012810	BOLT M6x12	1	M6x12
10	6KM#-081000-8100-20	REATAINER	4	
11	6KM#-080103-8101	BOLT, FUEL PIPE	1	
12	30903-0201640	COTTER PIN	1	
13	30904-0602240	PIN SHAFT	1	
14	6KM0-091204-20000	FLUID RESERVOIR	1	
15	6KM0-091203-20000	SEALING GASKET, FLUID RESERVOIR	1	
16	6KM0-091202-20000	SEALING LINER, FLUID RESERVOIR	1	
17	6KM0-091201-20000	CAP, FLUID RESERVOIR	1	
18	A000-080229-2000	SCREW, FLUID RESERVOIR CAP	2	
19	6KMV-081700-C000-M1	HYDRAULIC SENSOR SWITCH	1	
20	6FIV-080210-7100	REAR BRAKE PIPE	1	
21	6FIV-080230-7100-M1	REAR BRAKE MASTER CYLINDER	1	
22	6FIV-080220-7100-M1	REAR BRAKE CALIPER ASSY	1	
23	6FIV-080220-71A0-M1	REAR BRAKE PAD ASSY	1	



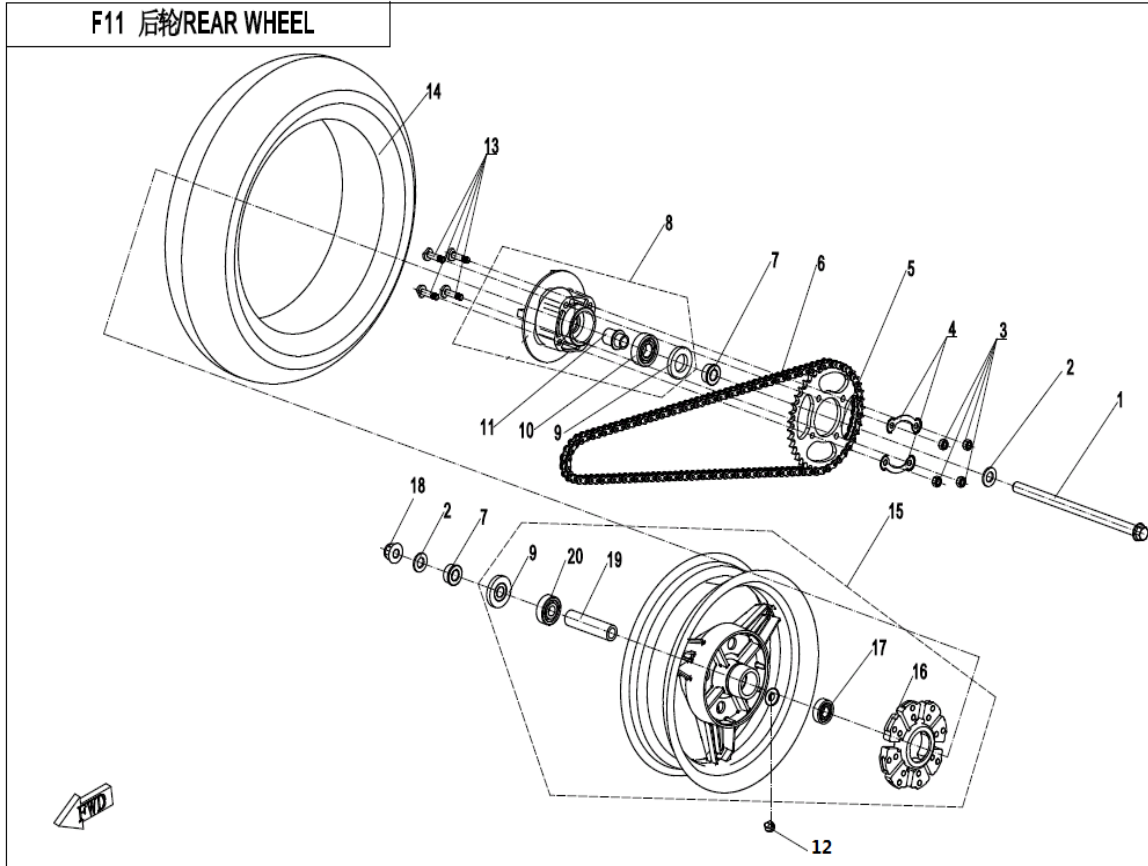
F10转向机构总成/STEERING SYSTEM



F10 STEERING SYSTEM

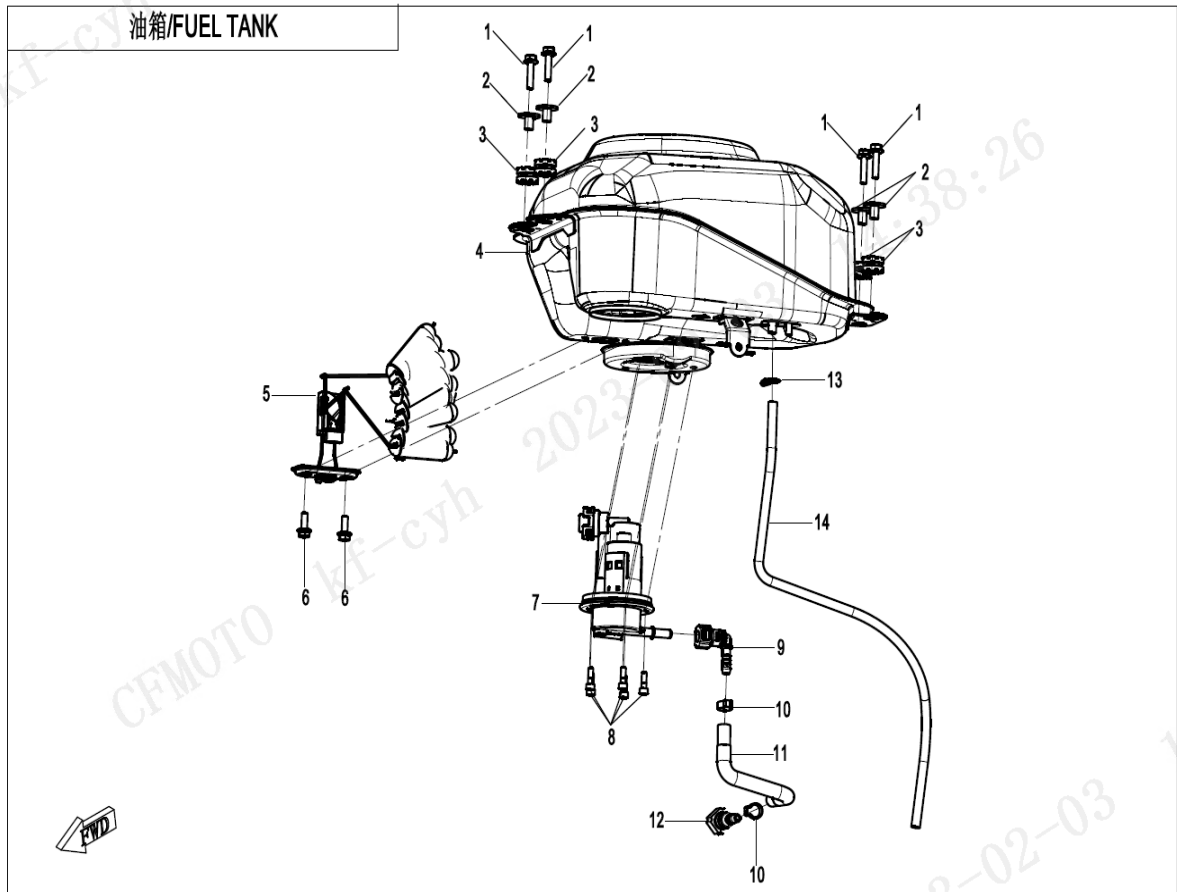
Item No.	Parts Number	Parts Name(EN)	Qty	Specification
1	6FIV-200400-7100	RH REAR VIEW MIRROR ASSY	1	
2	5280-100020	RH HAND GRIP ASSY	1	
3	6FIV-167000-5000	RH HANDLEBAR SWITCH ASSY	1	
4	6FIV-100100-7000	UPPER TRIPLE CLAMP HANDLEBAR ASSY	1	
5	6KJ0-100002	CLUTCH PULL BINDING	2	
6	6FIV-100400-7100	THROTTLE CABLE	1	
7	30102-080025870	INNER HEX SCREW M8×25	2	M8×25
8	6FIV-100600-7100	CLUTCH CABLE	1	
9	6FI3-100301	CLUTCH LEVER	1	ABS
10	6FI3-100300-10000	CLUTCH LEVER ASSY	1	
11	6FIV-166000-7101	HANDLEBAR SWITCH, LH	1	
12	5280-100001	LH HAND GRIP	1	
13	6FIV-200300-7100	LH REAR VIEW MIRROR ASSY	1	
14	6KM#-100002-8000	PLUG	2	
15	801F-100101	TIE BAND	1	

F11 后轮 REAR WHEEL



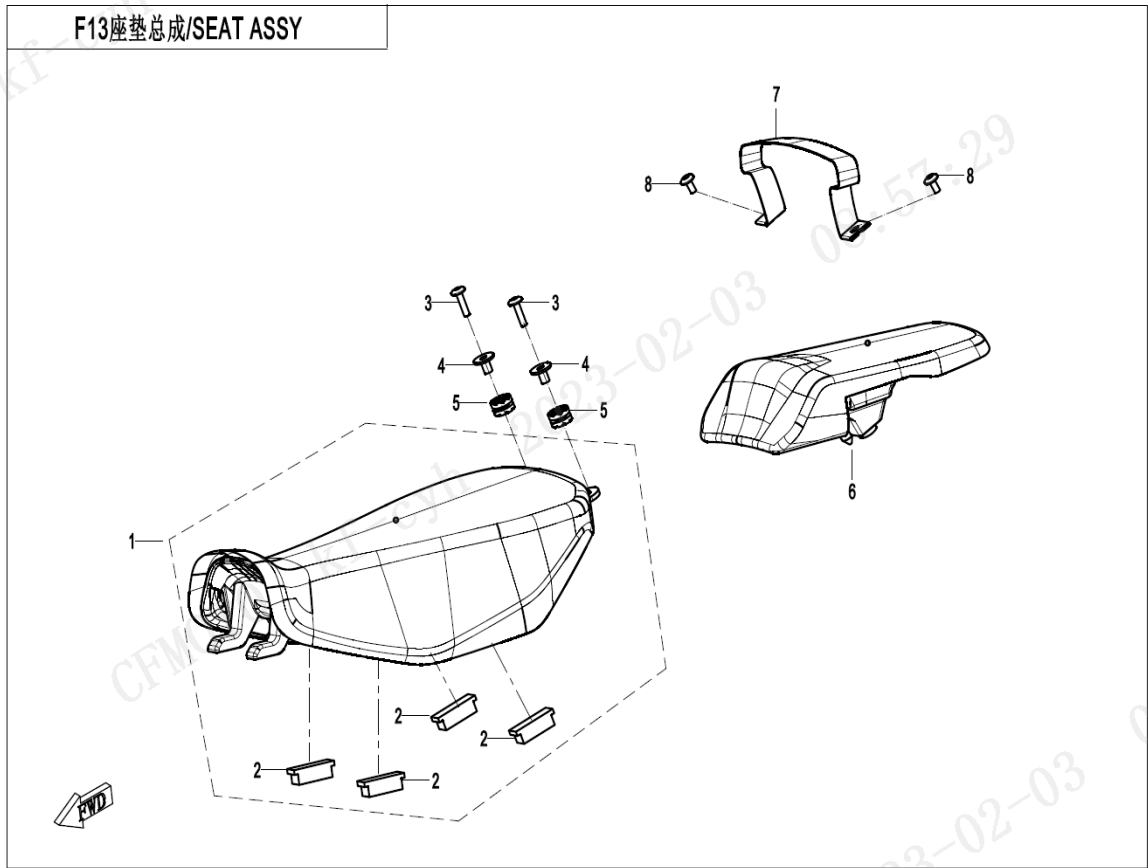
F11 REAR WHEEL

Item No.	Parts Number	Parts Name(EN)	Qty	Specification
01	6FIV-110001-7100	REAR WHEEL SHAFT	1	
02	30306-140112	WASHER	2	14
03	30200-080810	NUT M8	4	M8
04	6KJ0-110004	LOCK PAD	2	
05	6FI2-110003-10000	REAR SPROCKET	1	
06	3120909	CHAIN	1	
07	6KJ0-110001-10000	RH SHAFT SLEEVE, REAR WHEEL	2	
08	6090-112100	SEAT, SPROCKET	1	
09	30500-027800N	OIL SEAL	2	FB27x47x7
10	30400-02001	BEARING	1	6204-RS
11	5280-112101	SHAFT SLEEVE	1	
12	5190-070030-1000	VALVE, INFLATION	1	
13	6KJ0-110003	BOLT	4	
14	30704-1210	TIRE	1	
15	6FIV-110100-6001-0B200	REAR RIM ASSY	1	MATTE BLACK
16	6KJV-110004-8000	DAMPING RUBBER, SPROCKET SEAT	1	
17	30400-01580	BEARING	1	6202-2RS
18	30204-143810	NUT M14x1.5	1	M14x1.5
19	6FIV-110102-6000	CENTER SPACER, REAR RIM	1	
20	30400-01583	BEARING	1	6302-2RS



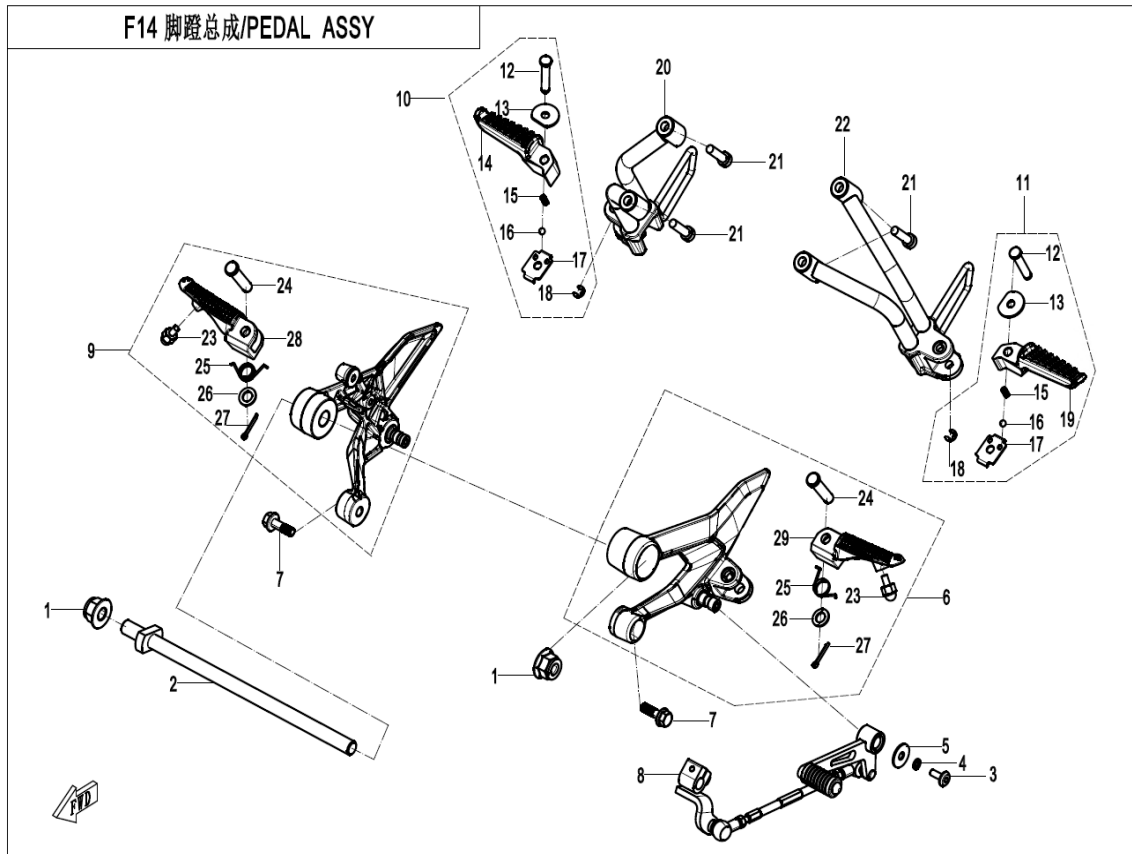
## F12 FUEL TANK

Item No.	Parts Number	Parts Name(EN)	Qty	Specification
1	30006-060025810	BOLT	4	M6x25
2	5020-031002	RUBBER SLEEVE LINER, FRONT LICENSE BRACKET	4	
3	5020-031001	RUBBER SLEEVE, FRONT LICENSE BRACKET	4	
4	6FIV-121000-7100	FUEL TANK	1	
5	6FIV-170200-7101-M1	LEVEL SENSOR	1	
5	6FIV-170200-7100-M1	LEVEL SENSOR	1	
6	6FI3-170500-00001	BOLT, OIL LEVER SENSOR	2	
7	6FIA-150400-6401	FUEL PUMP ASSY	1	
8	30102-050016810	SCREW M5x16	5	M5x16
9	6090-120210	QUICK JOINT	1	
10	6070-120400	CLAMP	2	Dia14.5
11	6FIV-120030-7100	HIGH TENSION TUBE ASSY	1	
12	6KJ0-120330-10000	QUICK JOINT	1	
13	30601-111010	CLAMP A11	1	A11
14	6KMV-120001-C000	BREATHER HOSE, FUEL TANK	1	



**F13 SEAT**

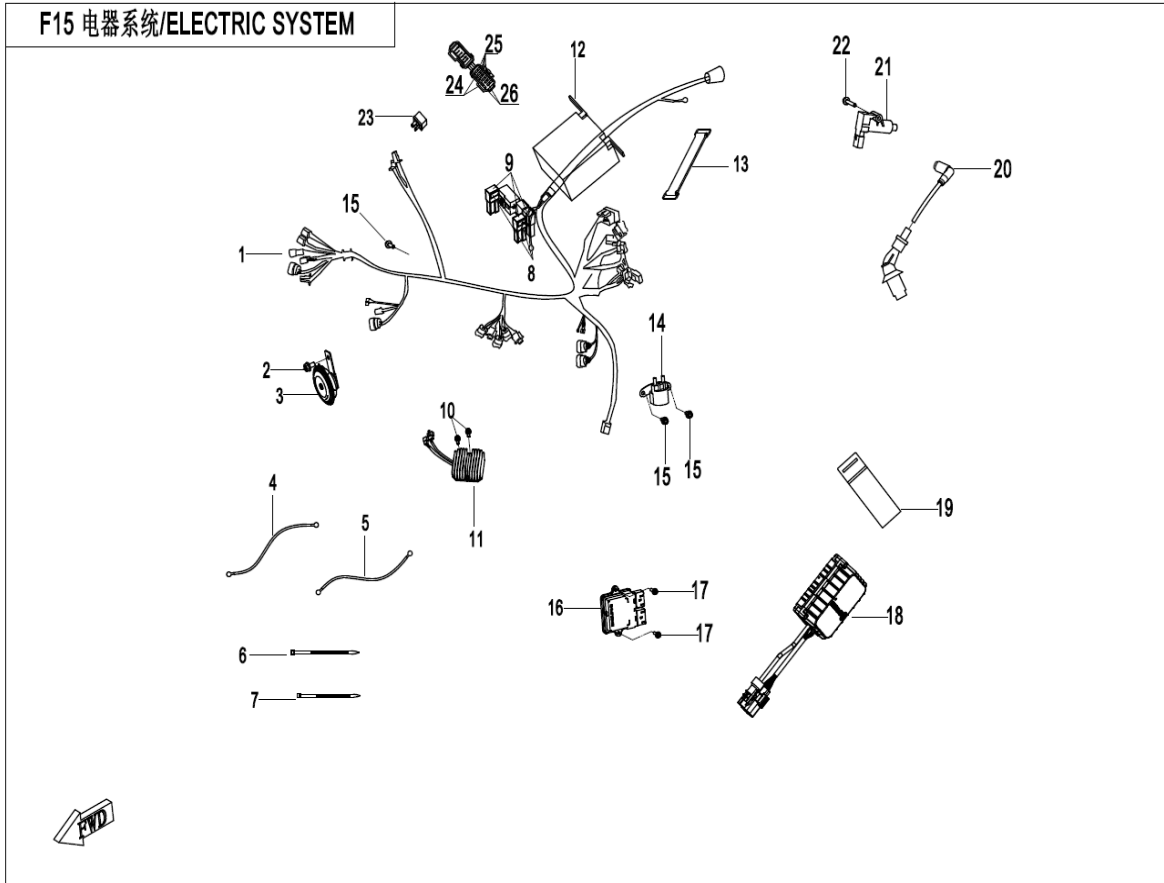
Item No.	Parts Number	Parts Name(EN)	Qty	Specification
1	6FIV-130100-7100	FRONT SEAT ASSY	1	
1	6FIV-130100-7100-10	FRONT SEAT ASSY	1	
2	6KM#-130101-8000	DAMPING MAT	4	
3	6WWV-047002-5000	INNER HEX SCREW M6x25	2	
4	6KM0-120010	T-TYPE BUSHING ASSY	2	
5	5020-031001	RUBBER SLEEVE, FRONT LICENSE BRACKET	2	
6	6FIV-130200-7100	REAR SEAT ASSY	1	
6	6FIV-130200-7100-10	REAR SEAT ASSY	1	
7	6GUV-130300-7001	TIE STRAP KIT	1	
8	6WWV-046802-5000	INNER HEX SCREW M6x16	2	



## F14 FOOTREST

Item No.	Parts Number	Parts Name(EN)	Qty	Specification
1	30204-143810	NUT M14x1.5	2	M14x1.5
2	6FIV-060007-7100	REAR FORK SHAFT	1	
3	6WWV-046802-5000	INNER HEX SCREW M6x16	1	
4	30303-060152	WASHER	1	6
5	30301-060470	RETAINER	1	
6	6FIV-142000-7100	LH FRONT FOOTREST BRACKET	1	
7	30006-080025810	BOLT	2	M8x25
8	6FIV-141000-7100	GRARSHIFT ASSY	1	
9	6FIV-143000-7100	RH FRONT FOOTREST ASSY	1	
10	A000-1401B0	REAR FOOTREST, RH	1	
11	A000-1401A0	REAR FOOTREST, LH	1	
12	A000-140142	PIN SHAFT Dia 8	2	Dia 8
13	A000-140106	LOCATING GASKET 2	2	
14	A000-140109	REAR FOOTREST, RH	1	
15	5190-037813	SPRING	2	
16	5190-037814	STEEL BALL	2	
17	A000-140104	LOCATING GASKET 1	2	
18	30802-00603	CIRCLIP 6	2	6
19	A000-140108	REAR FOOTREST, LH	1	
20	6FIV-140300-7100	RH REAR FOOTREST BRACKET	1	
21	30102-080025810	SCREW M8x25	4	M8x25
22	6FIV-140200-7100	LH REAR FOOTREST BRACKET	1	
23	A010-140123	LIMIT BOLT	2	
24	6WWV-140141-5000	PIN SHAFT	2	
25	A000-140103-20000	SPRING	2	
26	30300-100112	WASHER	2	
27	30903-0322210	COTTER PIN	2	3.2x22
28	6FIV-140900-7100	RH FRONT FOOTREST BRACKET	1	
29	6FIV-140800-7100	LH FRONT FOOTREST BRACKET	1	

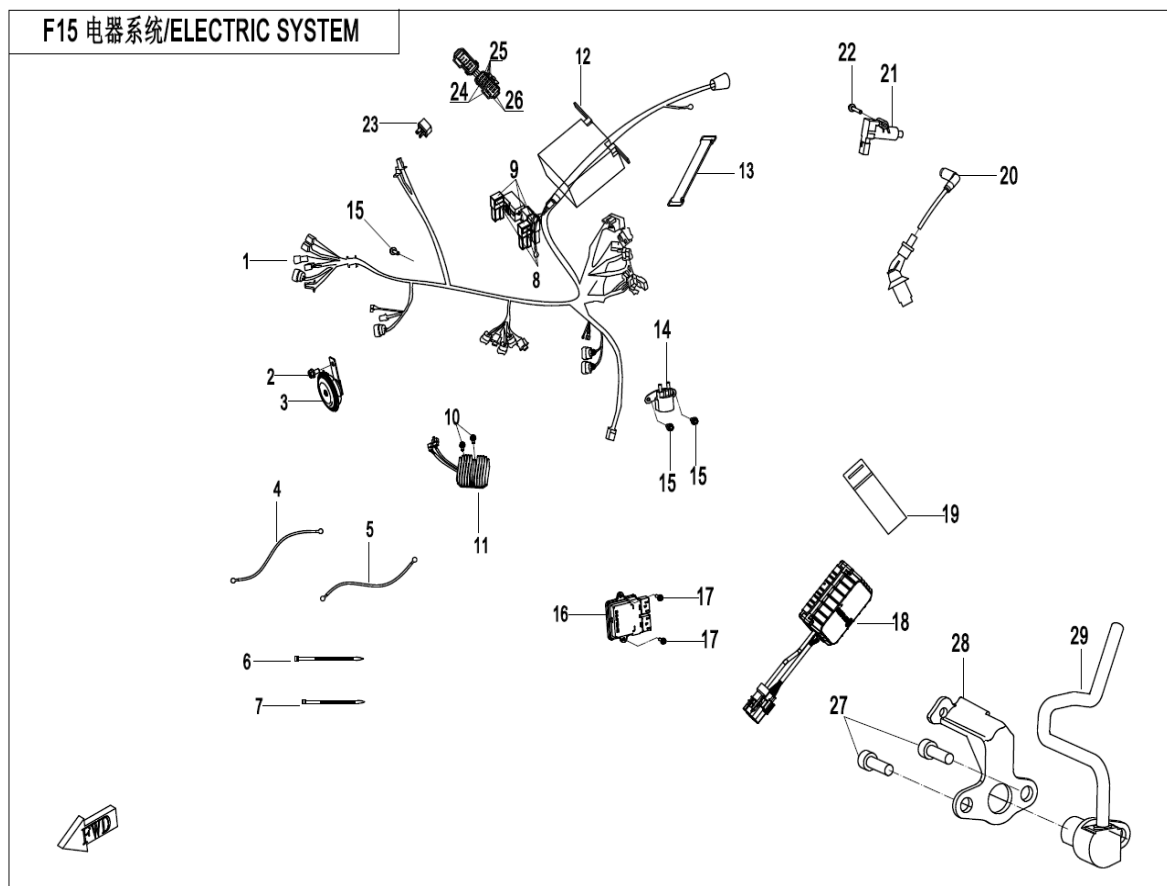
## F15 电器系统/ELECTRIC SYSTEM



## F15-A ELECTRIC SYSTEM (ABS)

Item No.	Parts Number	Parts Name(EN)	Qty	Specification
1	6FIV-150100-7002	MAIN CABLE	1	
2	6FIV-150600-7000	HORN	1	
3	30006-080014810	BOLT M8x14	1	M8x14
4	6FIV-150420-7100	BATTERY NEGATIVE CABLE	1	
5	6FIV-150176-7102	ADAPTOR CABLE, LICENSE LIGHT	1	
6	8010-150003	TIE	9	5x250
7	801F-100101	TIE BAND	2	
8	9010-150002	RUBBER RING, AUXILIARY RELAY	3	
9	CFCV-150524-2000-M1	AUXILIARY RELAY	3	
10	30006-060022810	BOLT	2	@
11	6FI3-150700	REGULATOR	1	
12	31020704	BATTERY	1	
13	1080-150700	TIE BAND, BATTERY	1	
14	5270-150500	STARTER RELAY	1	
15	30006-060012810	BOLT M6x12	2	M6x12
16	6FIV-001000-7000	ECM ASSY	1	
17	30102-060012810	SCREW	2	
18	SN1V-691100-1201-11	T-BOX	1	AllyTech@Eurasia and Africa and Australia except Turkey
18	SN1V-691100-1301-11	T-BOX	1	
18	SN1V-691100-1401-11	T-BOX	1	AllyTech@South America except for Brazil
18	SN1V-691100-1501-11	T-BOX	1	
18	SN1V-691100-1601-11	T-BOX	1	
19	6KMV-150901-B001	RUBBER RING, T-BOX	1	
20	6FIV-003500-7100	HIGH TENSION CABLE ASSY	1	
21	6FIV-003400-8000	IGNITION COIL	1	
22	30006-060035810	BOLT M6x35	1	M6x35
23	6090-150500	DIODE, STARTER	3	
24	8010-151301	FUSE 5A	2	5A
25	806A-151305	FUSE 15A	5	15A
26	806A-151308	30A FUSE	2	

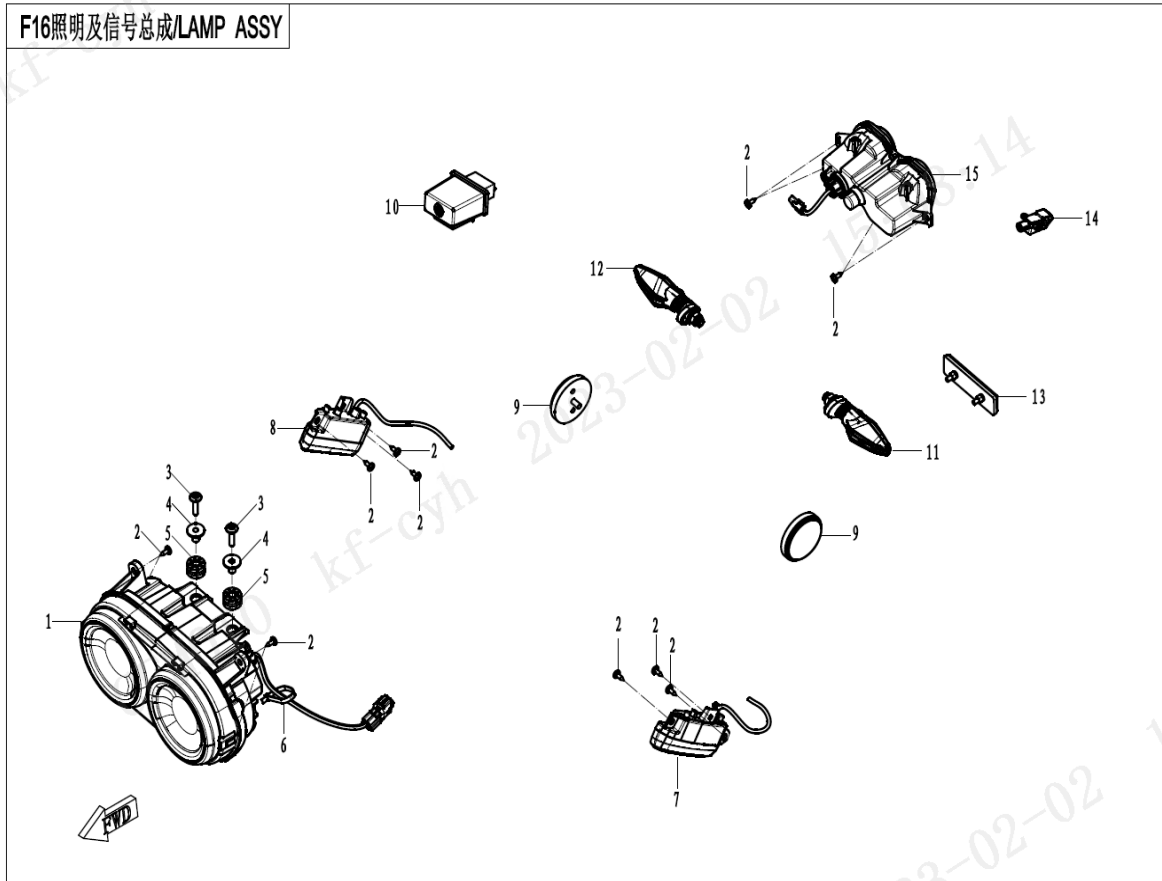
## F15 电器系统/ELECTRIC SYSTEM



## F15-B ELECTRIC SYSTEM (NO ABS)

Item No.	Parts Number	Parts Name(EN)	Qty	Specification
1	6FIV-150100-7102	MAIN CABLE	1	
1	6FIV-150100-7200	MAIN CABLE	1	
2	6FIV-150600-7000	HORN	1	
3	30006-080014810	BOLT M8x14	1	M8x14
4	6FIV-150420-7100	BATTERY NEGATIVE CABLE	1	
5	6FIV-150176-7102	ADAPTOR CABLE, LICENSE LIGHT	1	
6	8010-150003	TIE	9	5x250
7	801F-100101	TIE BAND	2	
8	9010-150002	RUBBER RING, AUXILIARY RELAY	3	
9	CFCV-150524-2000-M1	AUXILIARY RELAY	3	
10	30006-060022810	BOLT	2	@
11	6FI3-150700	REGULATOR	1	
12	31020704	BATTERY	1	
13	1080-150700	TIE BAND, BATTERY	1	
14	5270-150500	STARTER RELAY	1	
15	30006-060012810	BOLT M6x12	2	M6x12
16	6FIV-001000-7000	ECM ASSY	1	
17	30102-060012810	SCREW	2	
18	SN1V-691100-1201-11	T-BOX	1	AllyTech@Eurasia and Africa and Australia except Turkey
18	SN1V-691100-1301-11	T-BOX	1	
18	SN1V-691100-1401-11	T-BOX	1	AllyTech@South America except for Brazil
18	SN1V-691100-1501-11	T-BOX	1	
18	SN1V-691100-1601-11	T-BOX	1	
19	6KMV-150901-B001	RUBBER RING, T-BOX	1	
20	6FIV-003500-7100	HIGH TENSION CABLE ASSY	1	
21	6FIV-003400-8000	IGNITION COIL	1	
22	30006-060035810	BOLT M6x35	1	M6x35
23	6090-150500	DIODE, STARTER	3	
24	8010-151301	FUSE 5A	2	5A
25	806A-151305	FUSE 15A	5	15A
26	806A-151308	30A FUSE	2	
27	6WVV-047102-5000	INNER HEX SCREW M5x14	2	
28	6FIV-040012-7100	SPEED SENSOR BRACKET	1	
29	0700-065310-10000	SPEED SENSOR	1	

F16照明及信号总成/LAMP ASSY

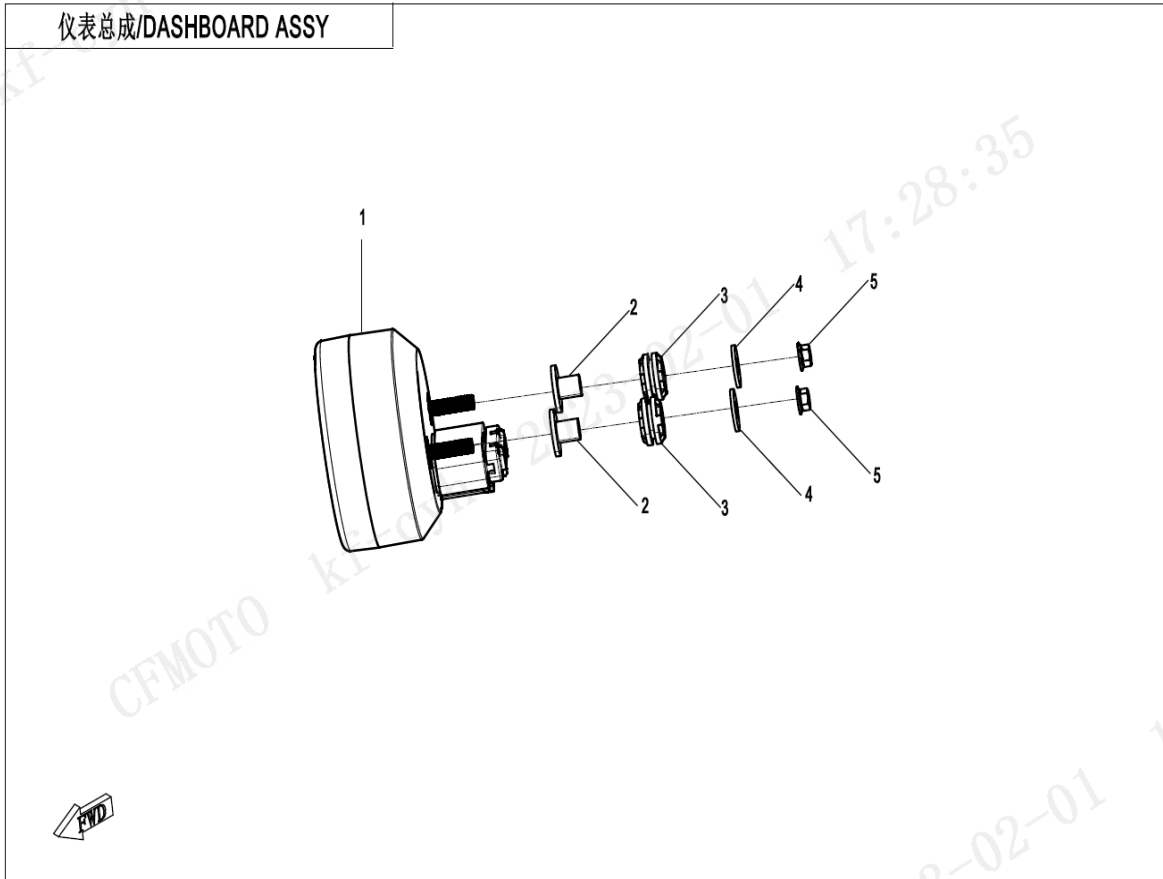


F16 LIGHTS

Item No.	Parts Number	Parts Name(EN)	Qty	Specification
1	6FIV-160110-7102	HEADLIGHT	1	
2	30110-421130010	SCREW	14	ST4.2x13
3	6GU#-000201-6000	INNER HEX SCREW M6x25	2	
4	6GU#-000202-6000	T SHAPE BUSHING KIT	2	
5	5020-031001	RUBBER SLEEVE, FRONT LICENSE BRACKET	2	
6	8010-150003	TIE	1	5x250
7	6FIV-165100-7101	LH FRONT TURN LIGHT ASSY	1	
8	6FIV-165200-7101	RH FRONT TURN LIGHT ASSY	1	
9	9QOV-160920-1401-M1	FRONT SIDE REFLECTOR	2	
10	6FIV-161000-7100	FLASHER	1	
11	6KWV-160530-1000	LH REAR TURN LIGHT ASSY	1	
12	6KWV-160540-1000	RH REAR TURN LIGHT ASSY	1	
13	6KM0-160230-00001	REAR REFLECTOR	1	
14	6GUV-160600-6200	LICENSE LIGHT	1	
15	6FIV-160200-7102	TAILLIGHT	1	



仪表总成/DASHBOARD ASSY



## F17 DASHBOARD

Item No.	Parts Number	Parts Name(EN)	Qty	Specification
1	6FIV-171000-7100	DASHBOARD	1	
2	6090-040303	BUSHING	2	
3	6WWV-030019-5000	RUBBER BUSHING	2	
4	30301-060470	RETAINER	2	
5	30202-060110	NUT M6	2	M6



## WARNING

Failure to follow these instructions may result in danger.

- Read the owner's manual carefully before riding. Inappropriate modification is not allowed.
- Please wear helmet, protective clothing and other protective gear.
- Do not touch overheated, rotating parts such as exhaust pipe, engine, wheel and ect.
- Please slow down on poor visibility and slippery road.
- Always follow maintenance schedule.

**CFMOTO**

6FIA-190201-6500 EU162

### F19-1 WARNING LABEL, FUEL TANK

Item No.	Parts Number	Parts Name(EN)	Qty	Specification
1	6FIA-190201-6500	WARNING LABEL,FUEL TANK	1	

## 6FIV-190100-7101-10 个性贴花总成 盐滩白配色 (基础版)



## F19-2-A DECAL (NEBULA WHITE-NO ABS)

Item No.	Parts Number	Parts Name(EN)	Qty	Specification
1	6FIV-190101-7100-10	LH COMMERCIAL NAME DECAL	1	
2	6FIV-190102-7100-10	RH COMMERCIAL NAME DECAL	1	
3	6FIV-190103-7100-10	TAILLIGHT LH PANEL DECAL	1	
4	6FIV-190104-7100-10	TAILLIGHT RH PANEL DECAL	1	
5	6FIV-190105-7100-10	LH CFMOTO DECAL	1	
6	6FIV-190106-7100-10	RH CFMOTO DECAL	1	

## 6FIV-190100-7101-12 个性贴花总成 格林绿配色 (ABS版)



## F19-2-B DECAL (MOSS GREEN-ABS)

Item No.	Parts Number	Parts Name(EN)	Qty	Specification
1	6FIV-190101-7101-12	LH COMMERCIAL NAME DECAL	1	
2	6FIV-190102-7101-12	RH COMMERCIAL NAME DECAL	1	
3	6FIV-190103-7100-12	LH MORE FUN DECAL	1	
4	6FIV-190104-7100-12	RH MORE FUN DECAL	1	
5	6FIV-190105-7100-12	LH CFMOTO DECAL	1	
6	6FIV-190106-7100-12	RH CFMOTO DECAL	1	
7	6FIV-190108-7100-12	LH ABS DECAL	1	
8	6FIV-190109-7100-12	RH ABS DECAL	1	

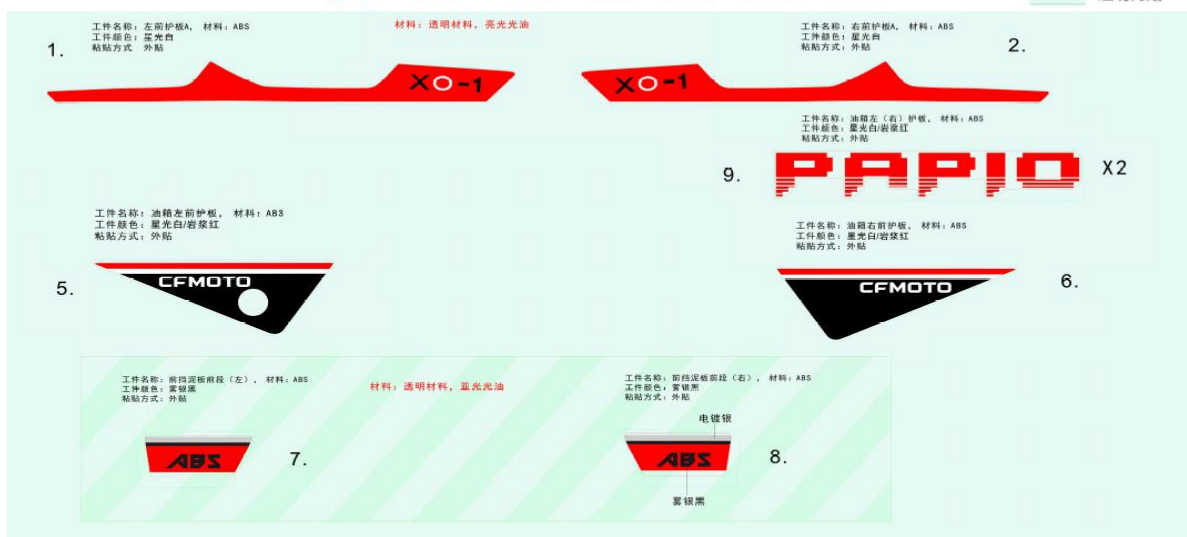
## 6FIV-190100-7101-13 个性贴花总成

蒙扎红配色 (ABS版)

刀模线(半模线) 覆膜线(整模线)

蒙扎红 星光黑 星光白 电镀银 雾银黑 钛金灰 透感灰

亮白亮光  
光白哑光  
透明亮光  
透明哑光  
透明内贴



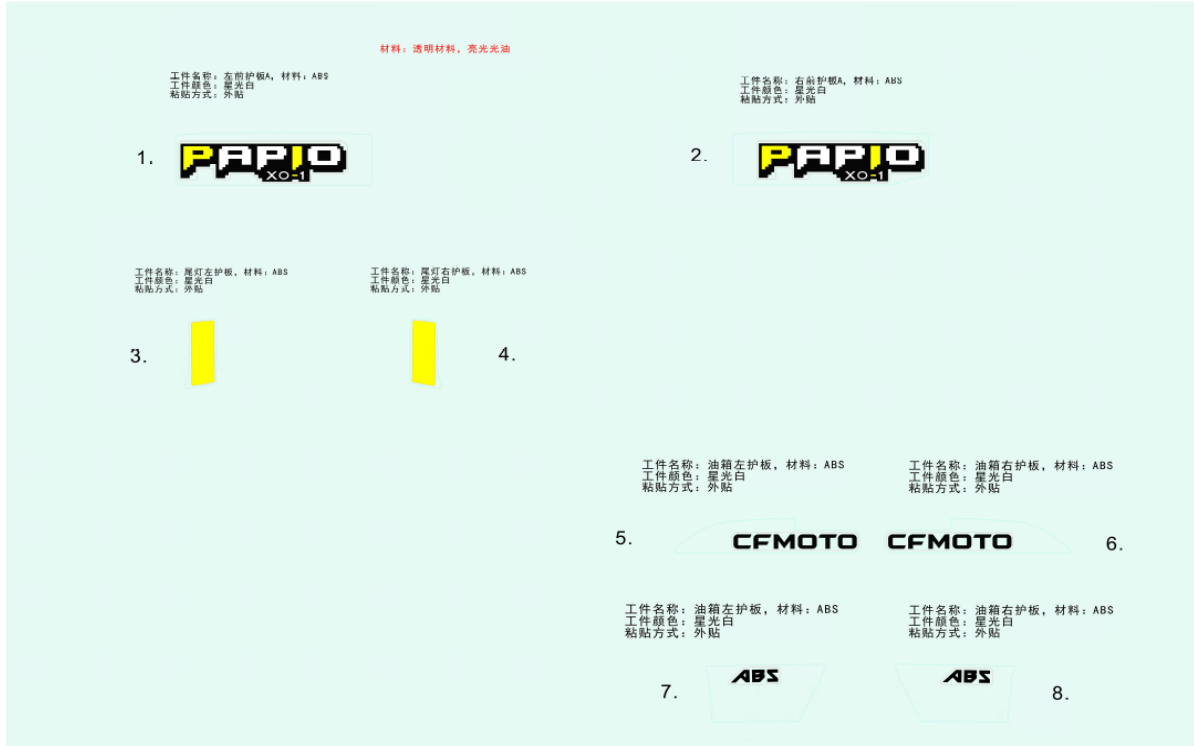
## F19-2-C DECAL (FIERY RED--ABS)

Item No.	Parts Number	Parts Name(EN)	Qty	Specification
1	6FIV-190101-7100-13	LH FRONT PANEL A DECAL	1	
2	6FIV-190102-7100-13	RH FRONT PANEL A DECAL	1	
3	6FIV-190103-7100-13	LH MORE FUN DECAL	1	
4	6FIV-190104-7100-13	RH MORE FUN DECAL	1	
5	6FIV-190105-7100-13	LH CFMOTO DECAL	1	
6	6FIV-190106-7100-13	RH CFMOTO DECAL	1	
7	6FIV-190108-7100-13	LH ABS DECAL	1	
8	6FIV-190109-7100-13	RH ABS DECAL	1	
9	6FIV-190110-7100-13	COMMERCIAL NAME DECAL	2	

## 6FIV-190100-7101-11 个性贴花总成 盐滩白配色 (ABS版)

刀模线(半模线) 刀模线(整模线)  
柠檬绿 星光黑 星光白 钛金灰

光白亮光  
光白哑光  
透明亮光  
透明哑光  
透明内贴



## F19-2-D DECAL (NEBULA WHITE-ABS)

Item No.	Parts Number	Parts Name(EN)	Qty	Specification
1	6FIV-190101-7100-10	LH COMMERCIAL NAME DECAL	1	
2	6FIV-190102-7100-10	RH COMMERCIAL NAME DECAL	1	
3	6FIV-190103-7100-10	TAILLIGHT LH PANEL DECAL	1	
4	6FIV-190104-7100-10	TAILLIGHT RH PANEL DECAL	1	
5	6FIV-190105-7100-10	LH CFMOTO DECAL	1	
6	6FIV-190106-7100-10	RH CFMOTO DECAL	1	
7	6FIV-190108-7100-11	LH ABS DECAL	1	
8	6FIV-190109-7100-11	RH ABS DECAL	1	

借用星光白（基础版）

工件名称：尾灯左（右）护板，材料：ABS

工件颜色：星光白

粘贴方式：外贴

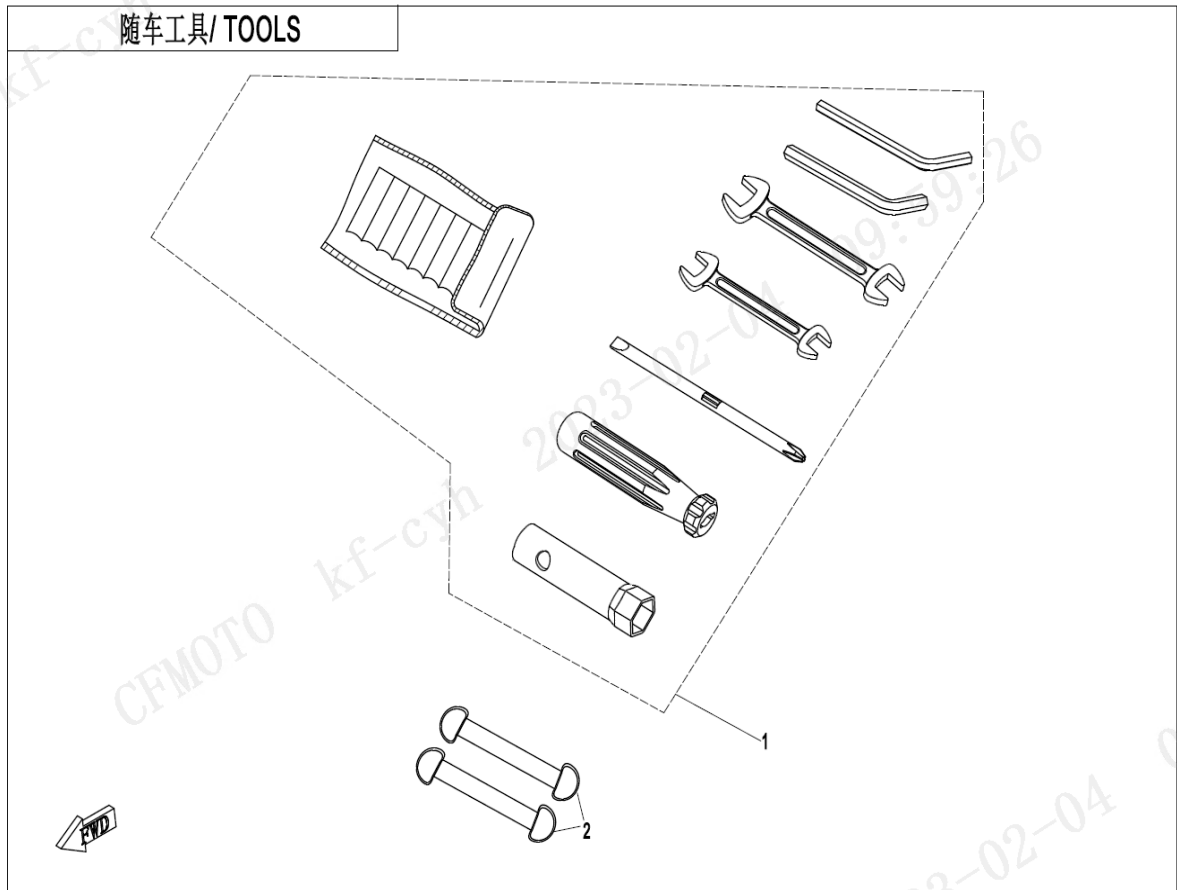
CF125-B

钛金灰

X2

### F19-3 MODEL DECAL

Item No.	Parts Number	Parts Name(EN)	Qty	Specification
1	6FIV-190108-7100-10	MODEL DECAL	2	

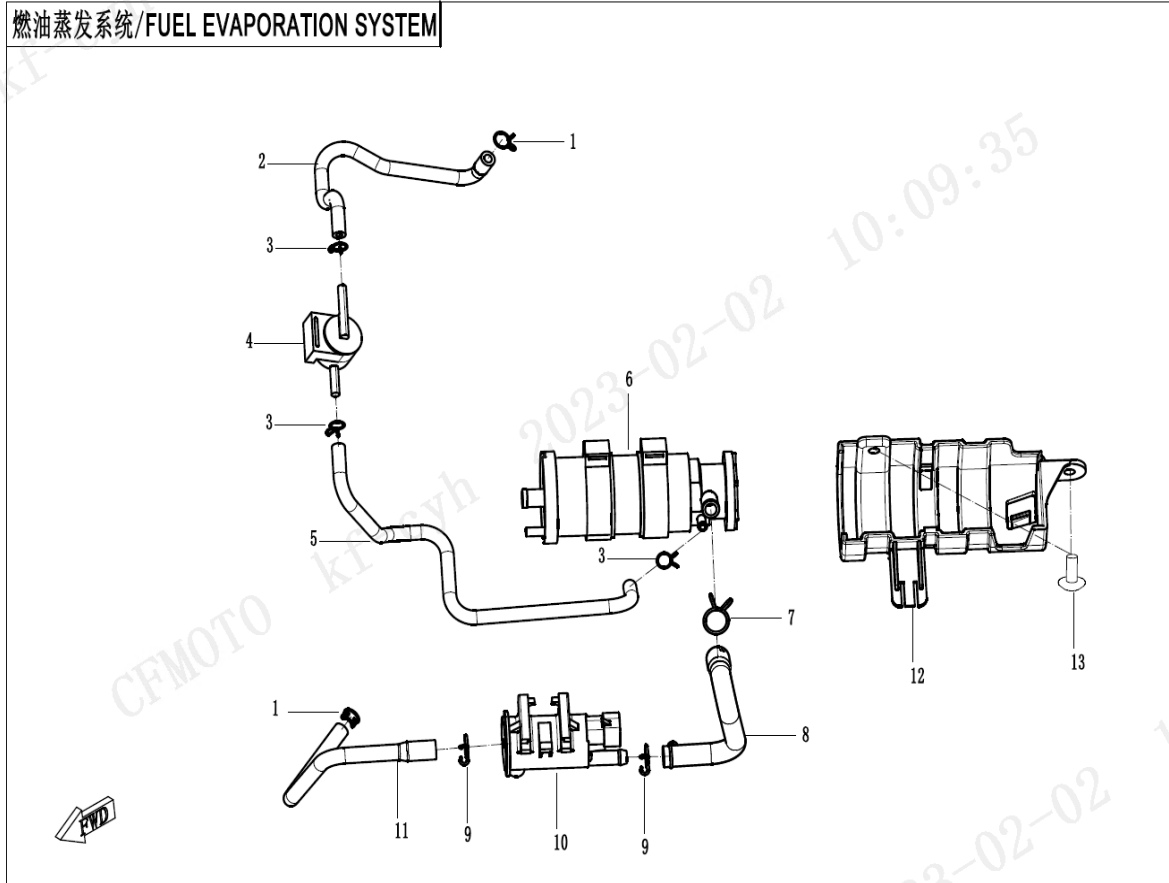


### F20 TOOLS

Item No.	Parts Number	Parts Name(EN)	Qty	Specification
01	6100-200100-10000	TOOLS	1	
02	8010-000012	TIE BAND ASSY	2	

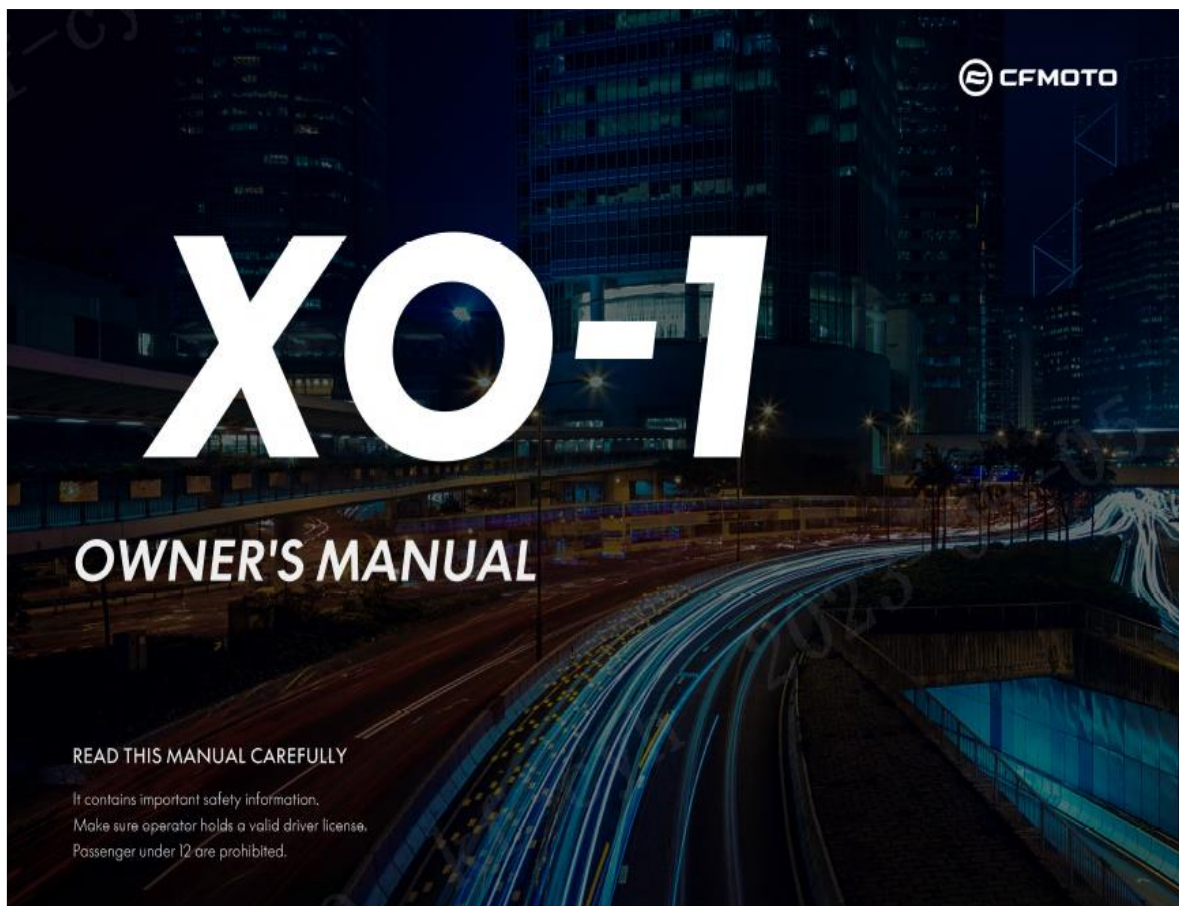


燃油蒸发系统/FUEL EVAPORATION SYSTEM



F36 FUEL VAPORIZATION SYSTEM

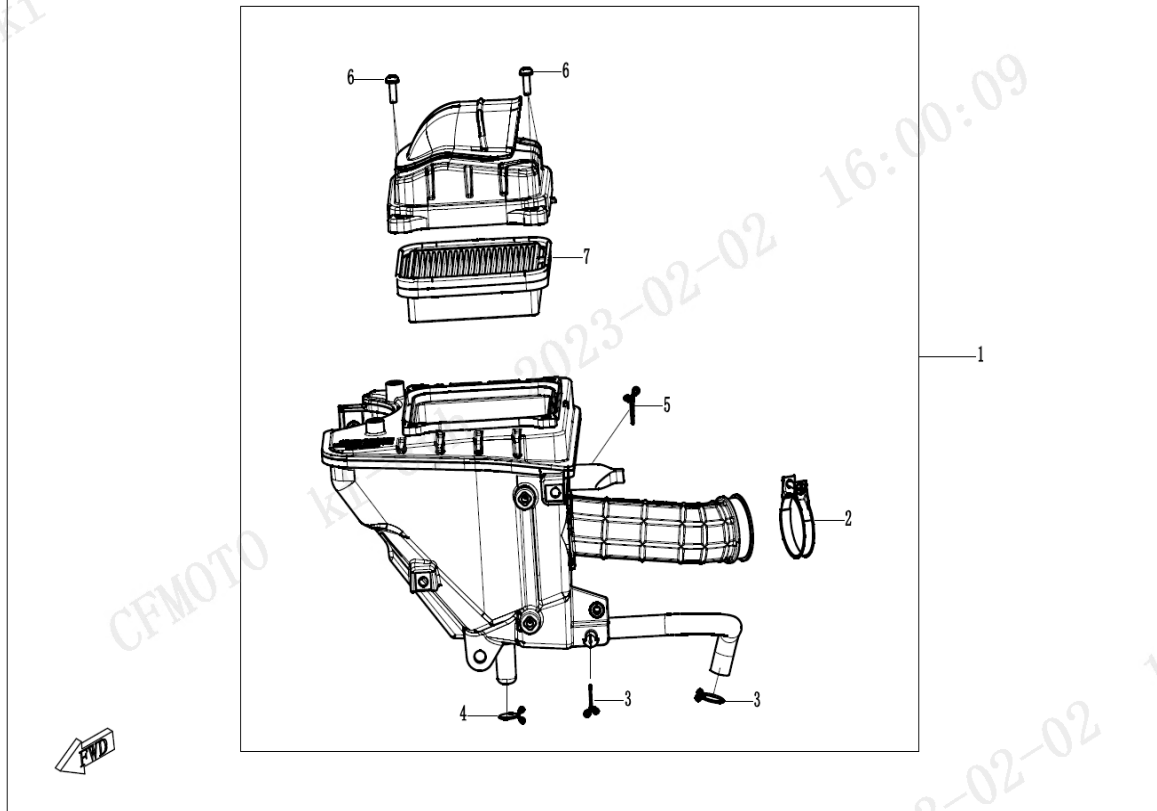
Item No.	Parts Number	Parts Name(EN)	Qty	Specification
1	30601-109010	CLAMP A9	2	
2	6FIV-360001-7100	FUEL VAPOR ADSORPTION HOSE 1	1	
3	30601-108010	CLAMP A8	3	A8
4	606B-360100	ANTI-ROLLOVER VALVE	1	
5	6FIV-360002-7100	FUEL VAPOR ADSORPTION HOSE 2	1	
6	6FIV-360200-7100	CANISTER VALVE	1	
7	30601-114010	CLAMP A14	1	A14
8	6FIV-360003-7100	FUEL VAPOR DESORPTION HOSE 1	1	
9	30601-112010	CLAMP A12	2	A12
10	6FIV-003200-8000	CANISTER MAGNETIC VALVE	1	
11	6FIV-360004-7100	FUEL VAPOR DESORPTION HOSE 2	1	
12	6FIV-041503-7100	CANISTER BOX	1	
13	6WWV-046702-5000	INNER HEX SCREW M6x12	2	



## F38 OWNERS MANUAL

Item No.	Parts Number	Parts Name(EN)	Qty	Specification
1	6FIV-380101-7200-12	EU OWNERS MANUAL	1	

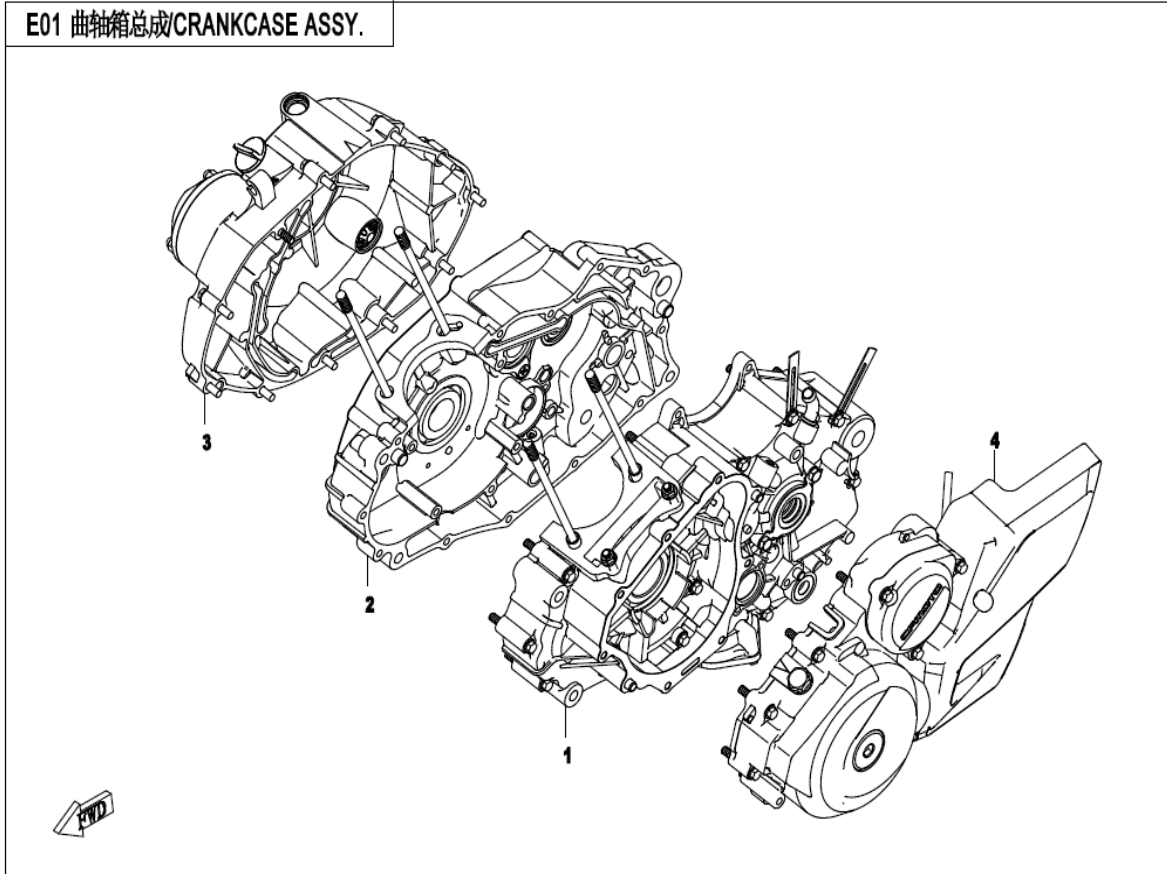
空滤器组/AIR FILTER ASSY



### F41 AIR FILTER

Item No.	Parts Number	Parts Name(EN)	Qty	Specification
1	OKIV-110000-4000	AIR FILTER ASSY	1	
2	OKIA-110100	d44 CLAMP ASSY	1	d44
3	30601-114010	CLAMP A14	2	A14
4	30601-113510	CLAMP	1	
5	30601-117010	CLAMP A17	1	A17
6	30112-050016430	SCREW COMP	4	M5x16
7	OKIV-112000-4000	FILTER ELEMENT	1	

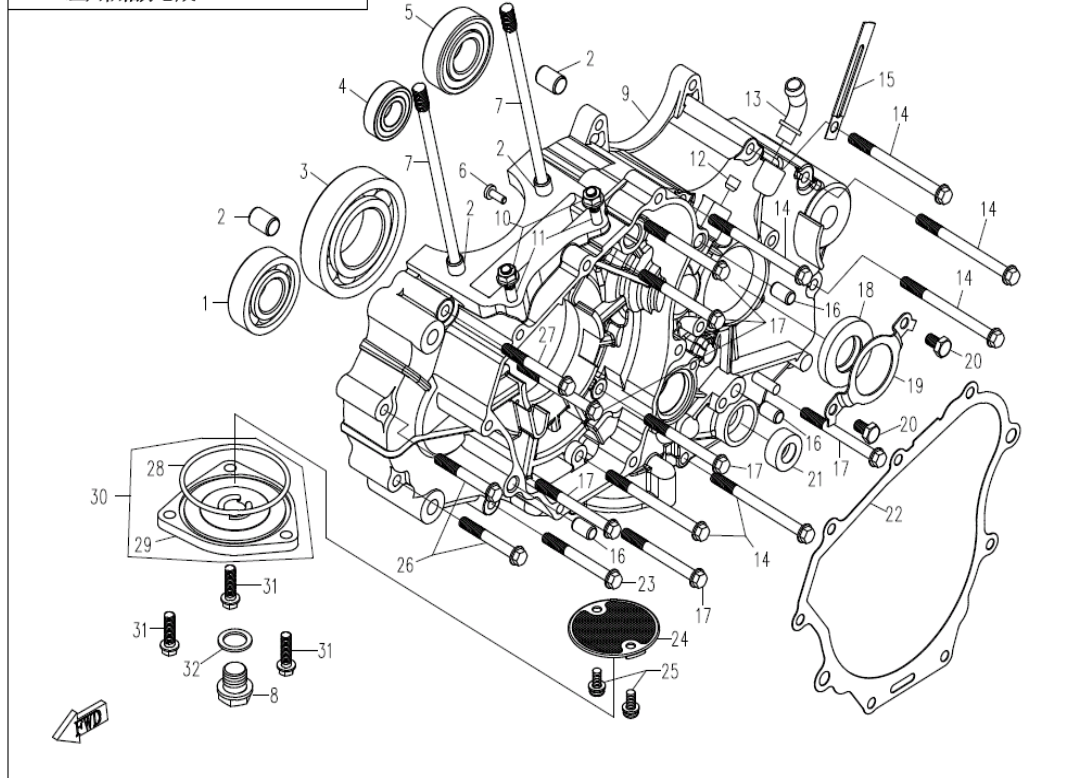
E01 曲轴箱总成/CRANKCASE ASSY.



E01 CRANKCASE ASSY.

Item No.	Parts Number	Parts Name(EN)	Qty	Specification
01	0KI2-011000	LH CRANKCASE SUB ASSY	1	
02	0KI2-012000	RH CRANKCASE SUB ASSY	1	
03	0A80-013000-1000	RH SIDE COVER SUB ASSY.	1	
04	0K1A-014000	LH SIDE COVER SUB ASSY.	1	

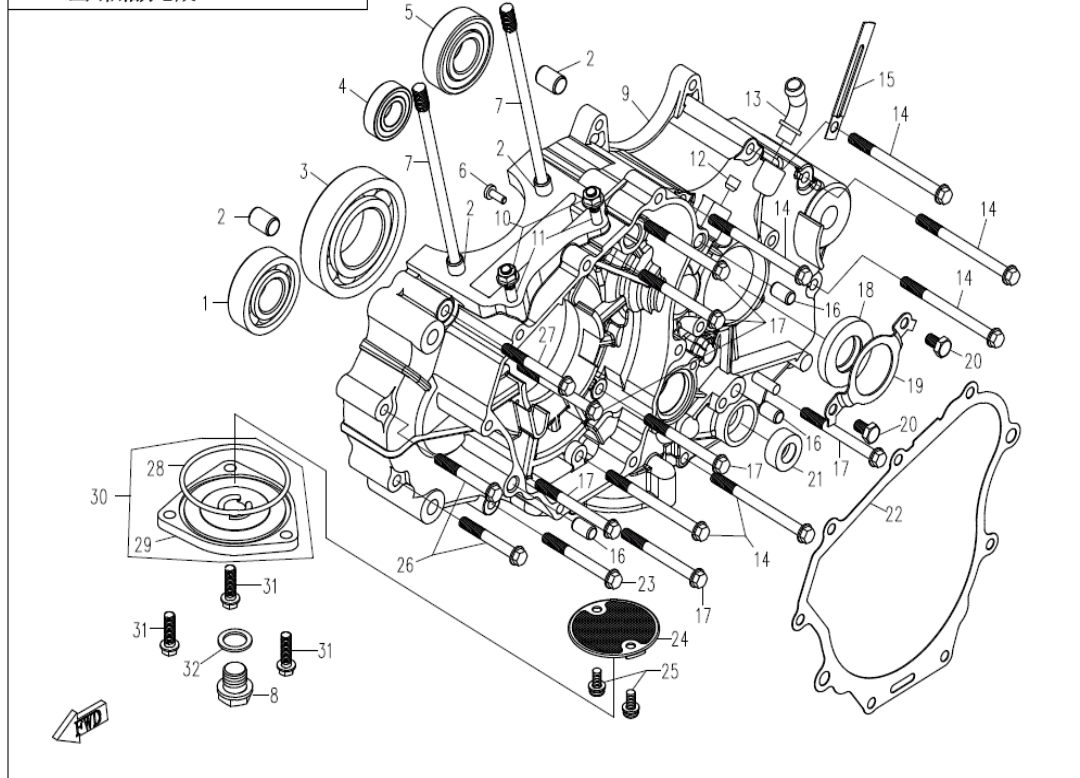
E01-1 左曲轴箱分总成/LEFT CRANKCASE



E01-1 LEFT CRANKCASE ASSY.

Item No.	Parts Number	Parts Name(EN)	Qty	Remark(s)
01	30400-02006	BEARING	1	
02	0C10-011007	DOWEL PIN Dia 11x16	4	
03	30400-03503	BEARING	1	
04	30400-01502	BEARING	1	
05	30400-02001	BEARING	1	
06	0A70-011008	SCREW 4x11	1	
07	0010-011005-00001	BOLT B, CYLINDER STUD	2	
08	0A70-011009-00001	SCREW PLUG M14x1.25x12	1	
09	0K12-011100-0B201	LH CRANKCASE	1	
10	30202-060110	NUT M6	2	
11	30011-060025820	STUD M6x25	2	
12	0A70-013004	PLUG	1	
13	0A80-011002	JOINT , BREATHER HOSE	1	
14	0A70-011005-00001	BOLT M6x75	6	
15	0180-014010	WIRE CLIP	1	
16	0010-080008	DOWEL PIN	3	
17	0010-011017-0010	BOLT M6x60	7	
18	0A80-011500	OIL SEAL 20x40x6	1	
19	0A70-011006	OIL SEAL PRESS, COUNTERSHAFT	1	
20	30004-060010850	BOLT M6x10	2	
21	0A70-011400	OIL SEAL 12x22x9	1	
22	0A80-011001	GASKET, LH FRONT COVER	1	
23	0010-021018-0010	BOLT M6x55	1	
24	0A70-011300	STRAINER ASSY	1	
25	30116-050012410	SCREW KIT M5x12	2	
26	0180-013208-0010	BOLT M6x45	2	
27	0010-013010-0010	BOLT M6x50	1	
28	0A70-011002	O-RING 60.5x2.4,OIL STRAINER COVER	1	
29	0A70-011004-0B20	COVER, OIL STRAINER	1	
30	0A70-0110A0-0B20	COVER ASSY., OIL STRAINER	1	
31	0010-023010-0010	BOLT M6x20	3	
32	0180-011006	GASKET 14	1	

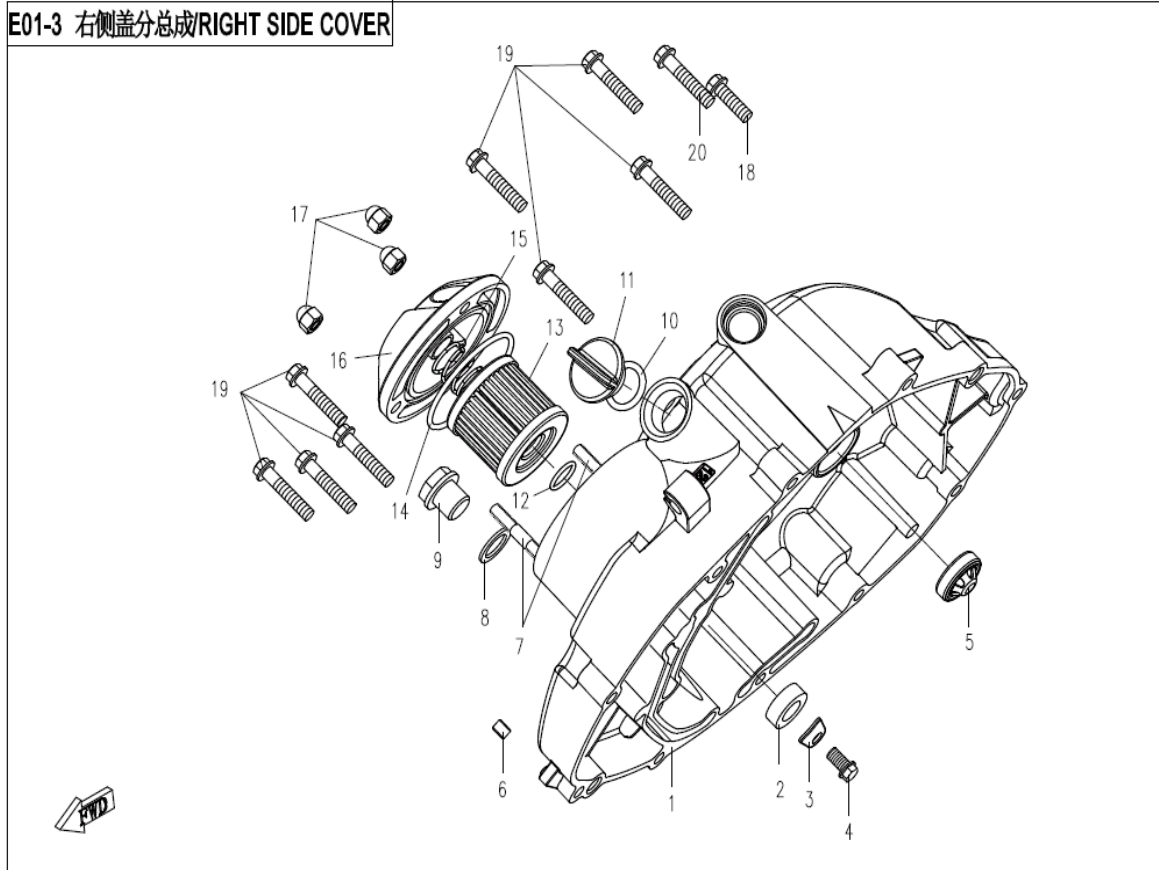
E01-1 左曲轴箱分总成/LEFT CRANKCASE



E01-1 LEFT CRANKCASE ASSY.

Item No.	Parts Number	Parts Name(EN)	Qty	Remark(s)
01	30400-02006	BEARING	1	
02	0C10-011007	DOWEL PIN Dia 11x16	4	
03	30400-03503	BEARING	1	
04	30400-01502	BEARING	1	
05	30400-02001	BEARING	1	
06	0A70-011008	SCREW 4x11	1	
07	0010-011005-00001	BOLT B, CYLINDER STUD	2	
08	0A70-011009-00001	SCREW PLUG M14x1.25x12	1	
09	0K12-011100-0B201	LH CRANKCASE	1	
10	30202-060110	NUT M6	2	
11	30011-060025820	STUD M6x25	2	
12	0A70-013004	PLUG	1	
13	0A80-011002	JOINT , BREATHER HOSE	1	
14	0A70-011005-00001	BOLT M6x75	6	
15	0180-014010	WIRE CLIP	1	
16	0010-080008	DOWEL PIN	3	
17	0010-011017-0010	BOLT M6x60	7	
18	0A80-011500	OIL SEAL 20x40x6	1	
19	0A70-011006	OIL SEAL PRESS, COUNTERSHAFT	1	
20	30004-060010850	BOLT M6x10	2	
21	0A70-011400	OIL SEAL 12x22x9	1	
22	0A80-011001	GASKET, LH FRONT COVER	1	
23	0010-021018-0010	BOLT M6x55	1	
24	0A70-011300	STRAINER ASSY	1	
25	30116-050012410	SCREW KIT M5x12	2	
26	0180-013208-0010	BOLT M6x45	2	
27	0010-013010-0010	BOLT M6x50	1	
28	0A70-011002	O-RING 60.5x2.4,OIL STRAINER COVER	1	
29	0A70-011004-0B20	COVER, OIL STRAINER	1	
30	0A70-0110A0-0B20	COVER ASSY., OIL STRAINER	1	
31	0010-023010-0010	BOLT M6x20	3	
32	0180-011006	GASKET 14	1	

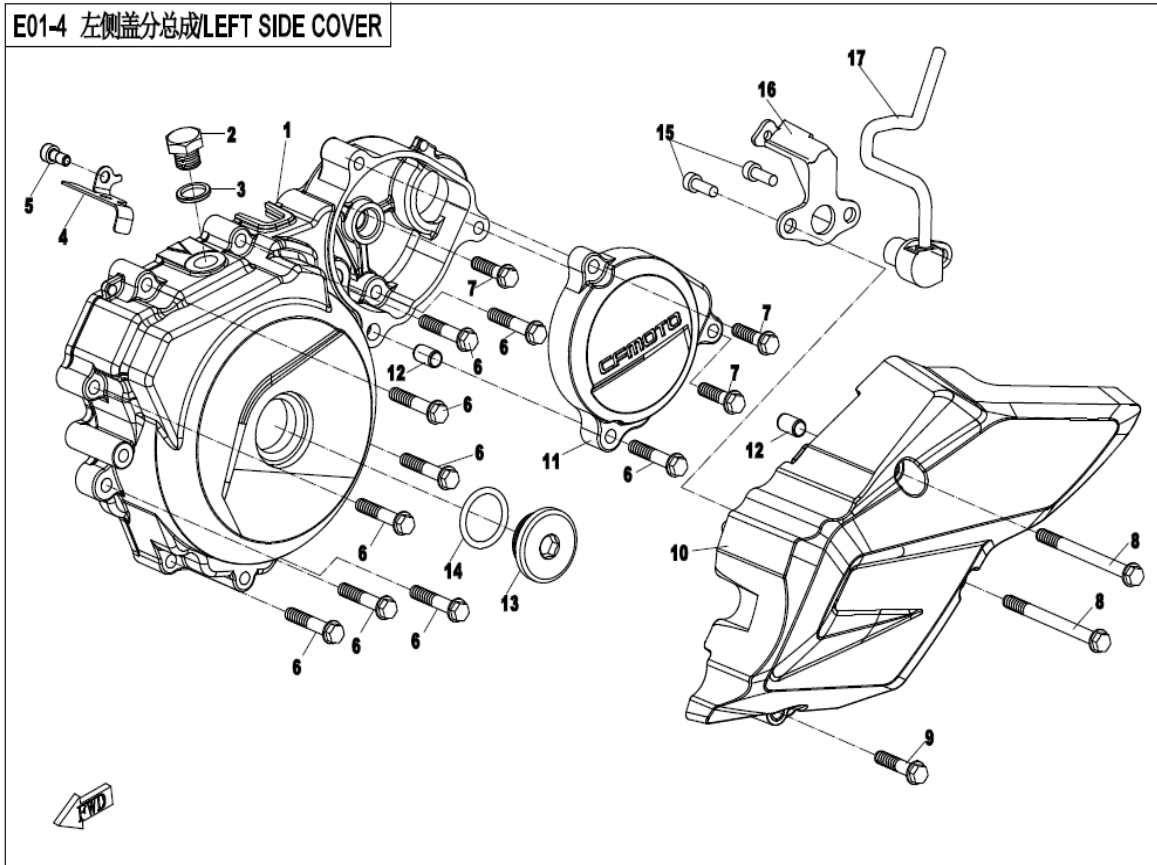
E01-3 右侧盖分总成/RIGHT SIDE COVER



E01-3 RIGHT SIDE COVER ASSY.

Item No.	Parts Number	Parts Name(EN)	Qty	Specification
01	0A80-013001-2B201	RH SIDE COVER	1	MATTE BLACK
02	0A70-013100	OIL SEAL 12x21x7, CRANKCASE	1	12x21x7
03	0A80-013003	PRESS PLATE, OIL SEAL	1	
04	30105-060012410	SCREW M6x12	1	M6x12
05	0A70-013500	VIEWER, OIL LEVEL	1	
06	0A70-013004	PLUG	1	
07	30017-060022110	BOLT	2	
08	0180-011006	GASKET 14	1	14
09	0A70-013007-00001	SCREW PLUG M14x1.25x12	1	
10	0A70-013006	O-SEAL RING 16.8x3.1	1	16.8x3.1
11	0A70-013005	BOLT PLUG, FUEL FILLING PORT	1	
12	01A0-013005	O-SEAL RING	1	13x2
13	0A70-013200	FILTER ELEMENT, PAPER	1	
14	01A0-013003	O-SEAL RING 53.6x2.4	1	53.6x2.4
15	0A70-013003	SPRING, FILTER ELEMENT	1	
16	0A80-013002-0B20	COVER, OIL FILTER	1	MATTE BLACK
17	30212-060810	CAP-SHAPE BOLT M6	3	M6
18	0010-023010-0010	BOLT M6x20	1	M6x20
19	0010-060012-0010	BOLT M6x30	8	M6x30
20	0010-013008-0010	BOLT M6x35	1	M6x35

E01-4 左侧盖分总成 LEFT SIDE COVER

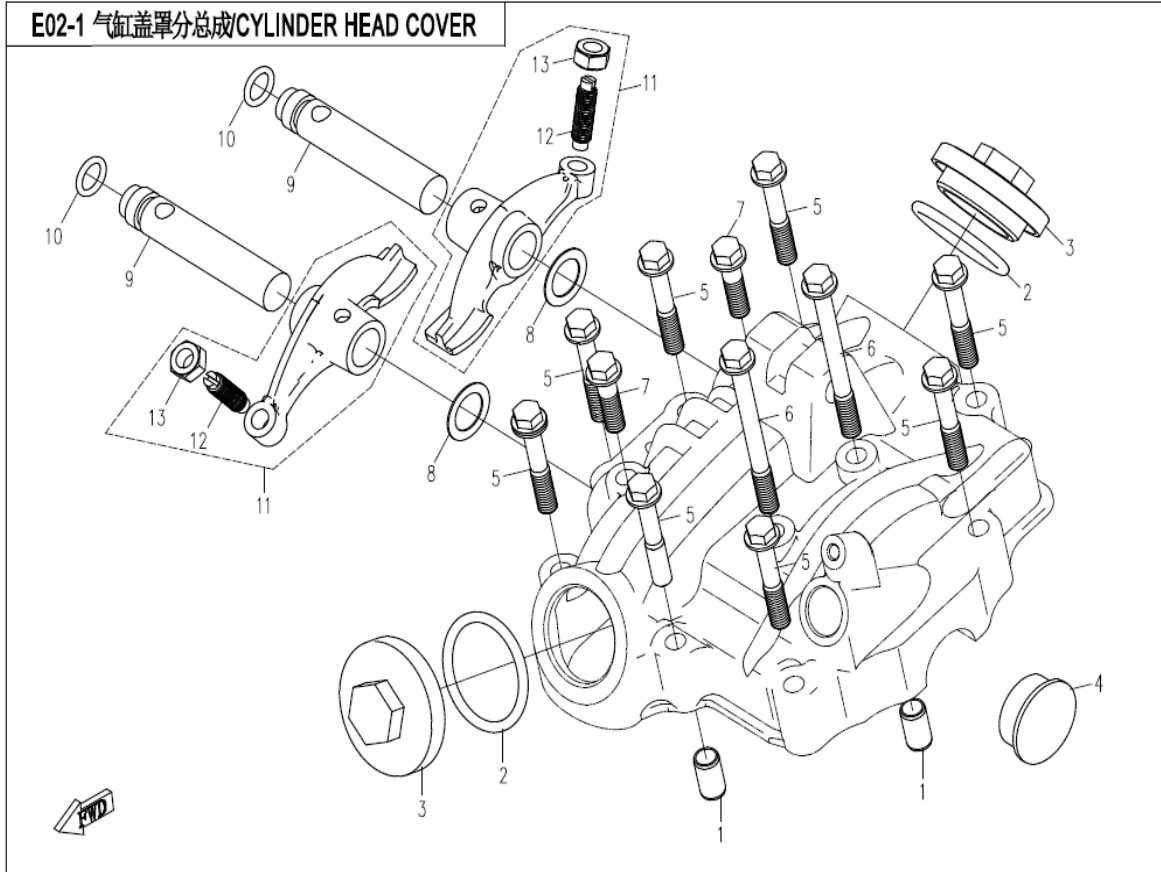


E01-4 LEFT SIDE COVER ASSY.

Item No.	Parts Number	Parts Name(EN)	Qty	Specification
01	0A80-014001-1B203	LH FRONT COVER	1	MATTE BLACK
02	0A70-014007-00001	SCREW PLUG, VIEW HOLE	1	
03	0010-021014	WASHER 12	1	12
04	0A80-014005	WIRE CLAMP	1	
05	30102-050012810	SCREW M5x12	1	M5x12
06	0010-013008-0010	BOLT M6x35	9	M6x35
07	0010-021017-0010	BOLT M6x25	3	M6x25
08	0A70-011005-00001	BOLT M6x75	2	
09	0010-060012-0010	BOLT M6x30	1	M6x30
10	0K1A-014100	REAR COVER, LH	1	
11	0A80-014003-2B201	LH FRONT GEAR COVER	1	MATTE BLACK
12	0010-080008	DOWEL PIN	2	8X14
13	0A70-014005-0B20	BOLT CAP, LH FRONT SIDE COVER	1	MATTE BLACK
14	0A70-014006	O-SEAL RING 22.7x3.1	1	22.7x3.1
15	30102-050016810	SCREW M5x16	2	M5x16
16	6FIV-040012-7100	SPEED SENSOR BRACKET	1	
17	0700-065310-10000	SPEED SENSOR	1	



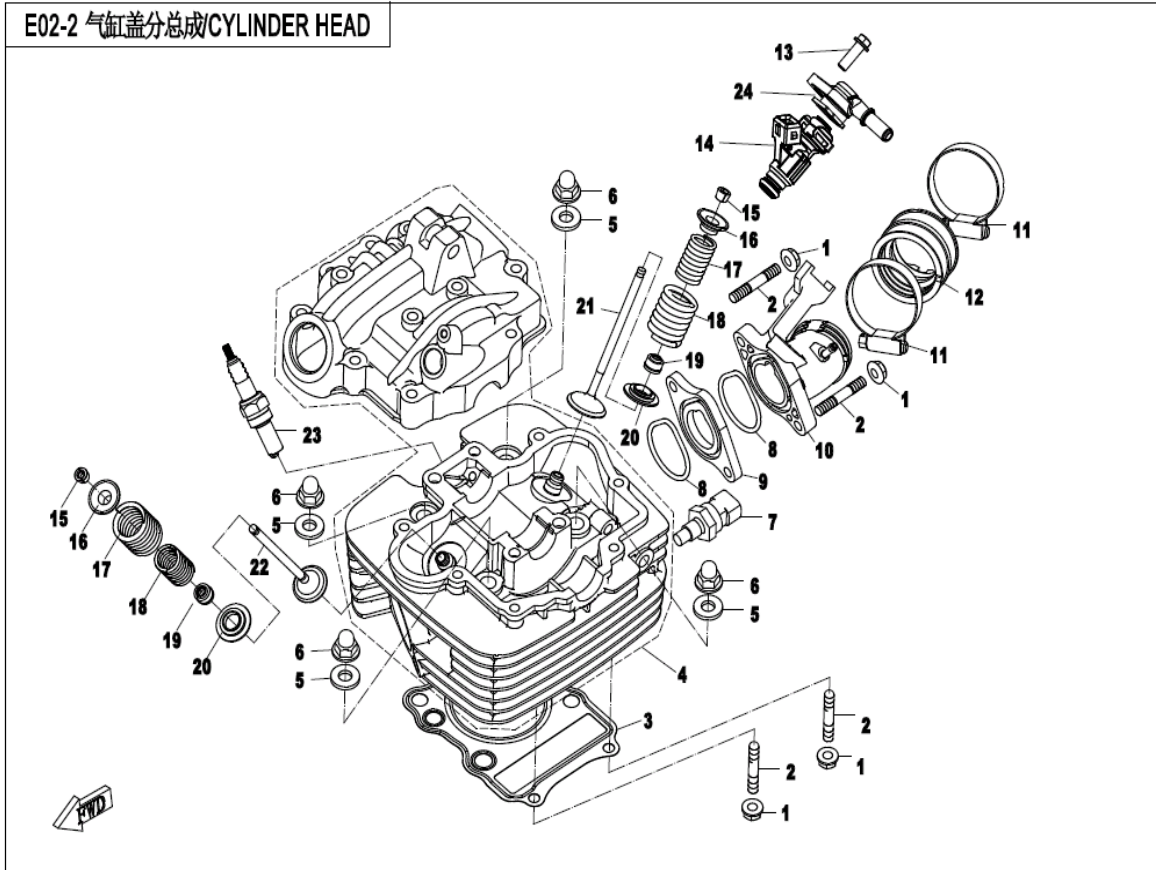
E02-1 气缸盖罩分总成 CYLINDER HEAD COVER



E02-1 CYLINDER HEAD COVER ASSY.

Item No.	Parts Number	Parts Name(EN)	Qty	Specification
01	0C10-021003	DOWEL PIN Dia 8X12	2	Dia8X12
02	0110-013028	O-SEAL RING 30x3.55	2	30x3.55
03	0110-013007-0B20	COVER, STRAINER	2	MATTE BLACK
04	0C10-021002	PLUG, CAMSHAFT	1	
05	0010-013008-0010	BOLT M6x35	8	M6x35
06	0010-011017-0010	BOLT M6x60	2	M6x60
07	0010-080013-0010	BOLT M6x22	2	M6x22
08	0A70-021002	WASHER	2	
09	0C10-021004	ROCKER ARM SHAFT	2	
10	0A70-021005	O-RING 8.6x1.9	2	8.6x1.9
11	0A70-021100	SWING ARM ASSY	2	
12	0A70-021102	ADJUST SCREW, VALVE CLEARANCE	2	
13	0A70-021103	ADJUST NUT, VALVE CLEARANCE	2	

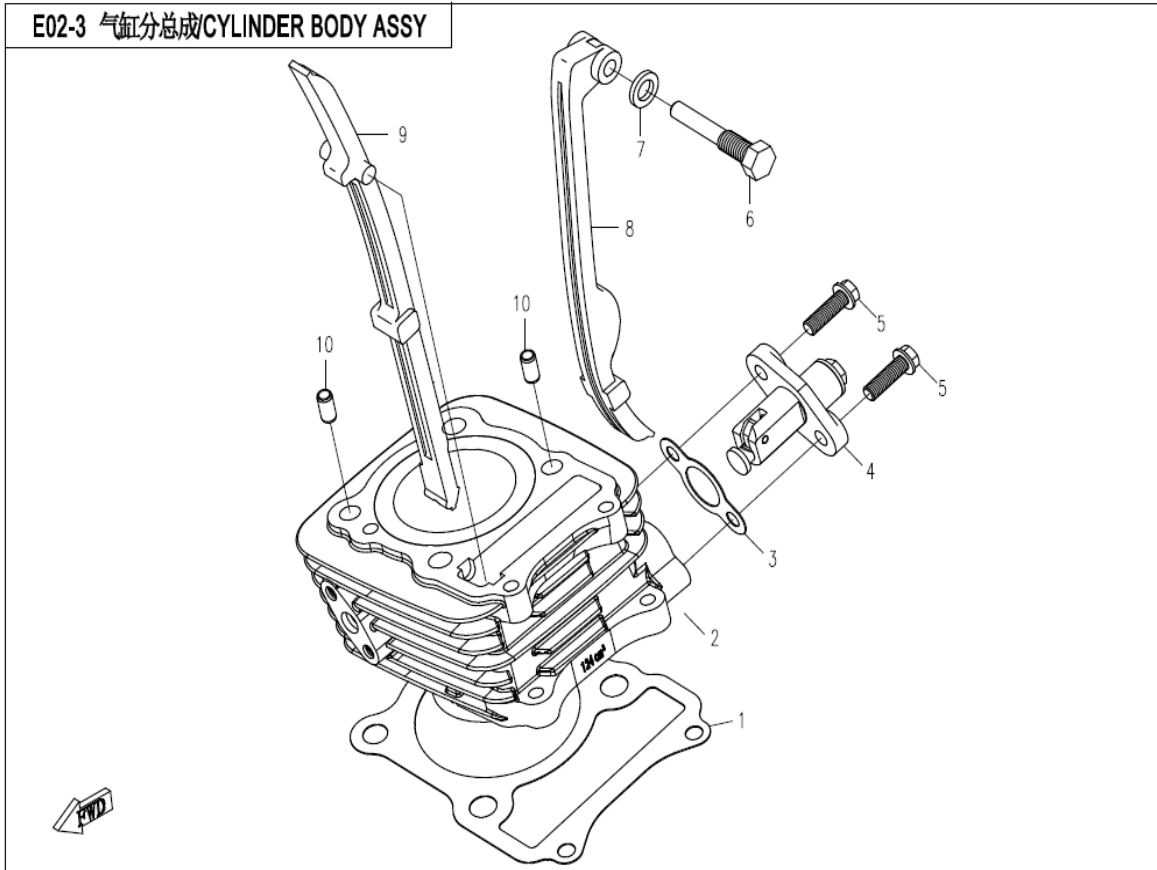
E02-2 气缸盖总成CYLINDER HEAD



E02-2 CYLINDER HEAD ASSY.

Item No.	Parts Number	Parts Name(EN)	Qty	Specification
01	30204-060810	NUT M6	4	M6
02	30011-060025820	STUD M6x25	4	M6x25
03	0C10-022008	GASKET, CYLINDER HEAD	1	
04	OKIA-0220A0-0B200	CYLINDER HEAD & HEAD COVER	1	MATTE BLACK
05	0010-022012	WASHER 8	4	8
06	0010-022013-00002	BOLT M8	4	M8
07	0KIA-022005	CYLINDER HEAD TEMP. SENSOR	1	
08	0KIA-022003	SEAL RING, INJECTOR SEAT	2	
09	0KIA-022002	HEAT INSULATOR, FUEL INJECTOR SEAT	1	
10	0KIV-022201-4001	FUEL INJECTOR SEAT	1	
11	30603-050000	CLAMP D50	2	D50
12	0KIA-022004-00001	CONNECTING PIPE, THROTTLE BODY	1	
13	0010-023008-00001	BOLT	1	
14	0KIV-171000-4000	INJECTOR ASSY	1	
15	0C10-022006	LOCK CLIP, VALVE	4	
16	0C10-022005	SPRING PLATE, VALVE	2	
17	0A70-022003	INNER SPRING, VALVE	2	
18	0A70-022004	OUTER SPRING, VALVE	2	
19	0010-022500-10000	SEAL RING, VALVE STEM	2	
20	0C10-022007	SEAT, VALVE SPRING	2	
21	0C10-022001	VALVE, INTAKE	1	
22	0C10-022002	VALVE, EXHAUST	1	
23	01A0-022400-0001	SPARK PLUG	1	NCK CR8E
24	0KIV-170010-4000	INJECTOR CAP	1	

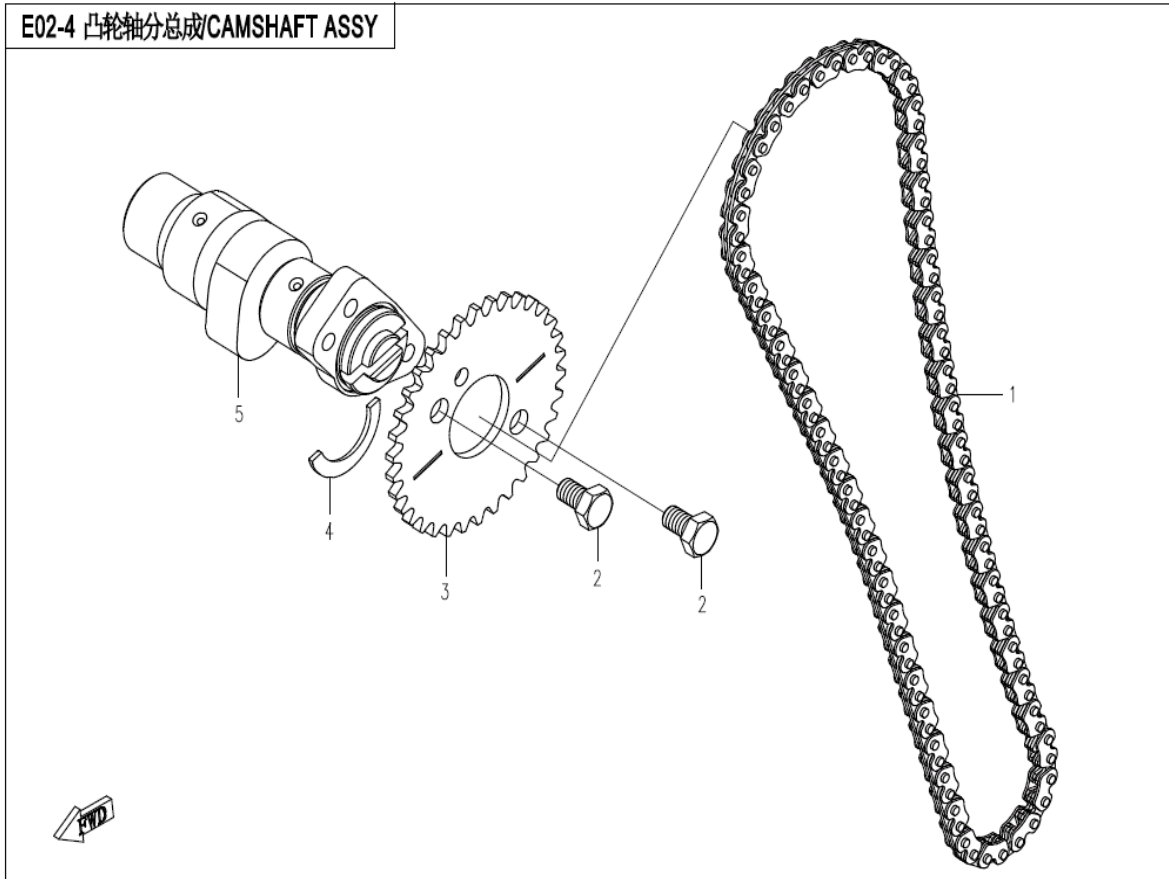
E02-3 气缸总成 CYLINDER BODY ASSY



E02-3 CYLINDER BODY ASSY.

Item No.	Parts Number	Parts Name(EN)	Qty	Specification
01	0C10-023004-10000	GASKET, CYLINDER HEAD	1	
02	0KIB-023100-0B210	CYLINDER ASSY	1	MATTE BLACK
03	0A70-023001-0G30	GASKET, TENSIONER	1	MUSTARD GREEN
04	0C10-023200-1B200	TENSIONER ASSY	1	
05	0010-023010-0010	BOLT M6x20	2	M6x20
06	0180-023007-00001	BOLT, TENSIONER PLATE M8x39.5	1	
07	0010-021016	WASHER 8	1	8
08	0A70-023300	TENSION PLATE ASSY	1	
09	0A70-023400	CHAIN GUIDE	1	
10	0C10-011007	DOWEL PIN Dia 11x16	2	Dia11x16

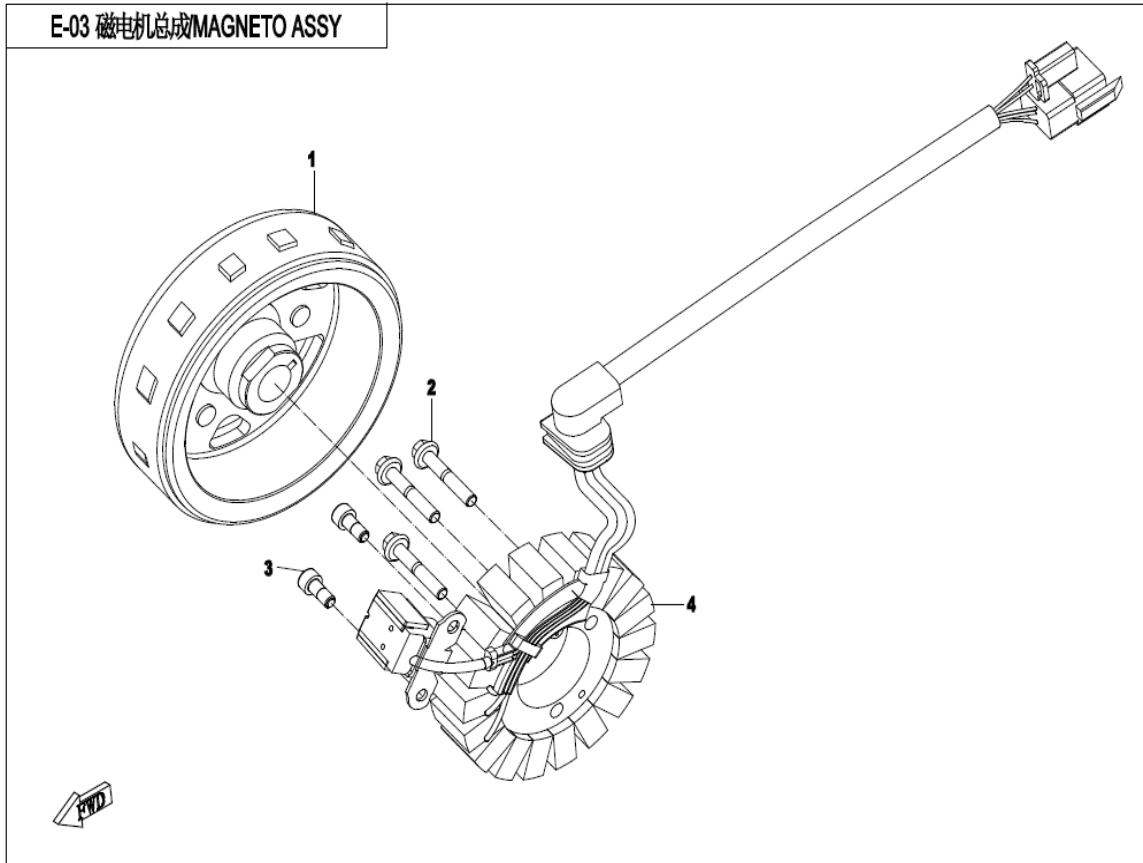
E02-4 凸轮轴总成/CAMSHAFT ASSY



E02-4 CAMSHAFT ASSY.

Item No.	Parts Number	Parts Name(EN)	Qty	Specification
01	0A70-024100	TIMING CHAIN	1	
02	30004-060010150	BOLT M6x10	2	M6x10
03	0A70-024002	TIMING SPROCKET	1	
04	0180-024004	CAMSHAFT SPACER	1	
05	0A70-024001	CAMSHAFT	1	

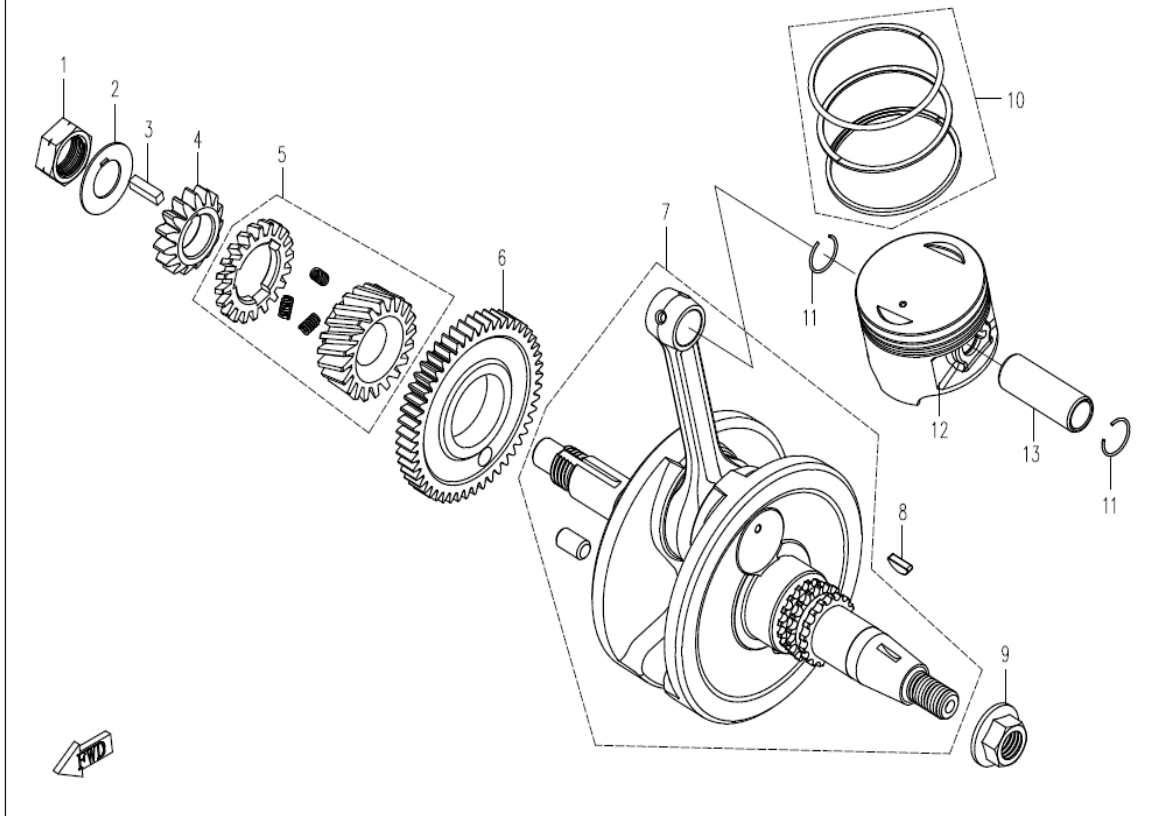
E-03 磁电机总成 MAGNETO ASSY



E03 MAGNETO ASSY.

Item No.	Parts Number	Parts Name(EN)	Qty	Specification
01	0KIV-031000-4000	MAGNETO ROTOR ASSY	1	
02	0A70-014004-00002	BOLT M5x25	3	M5x25
03	30102-050012810	SCREW M5x12	2	M5x12
04	0KIA-032000-10000	MAGNETO STATOR ASSY	1	

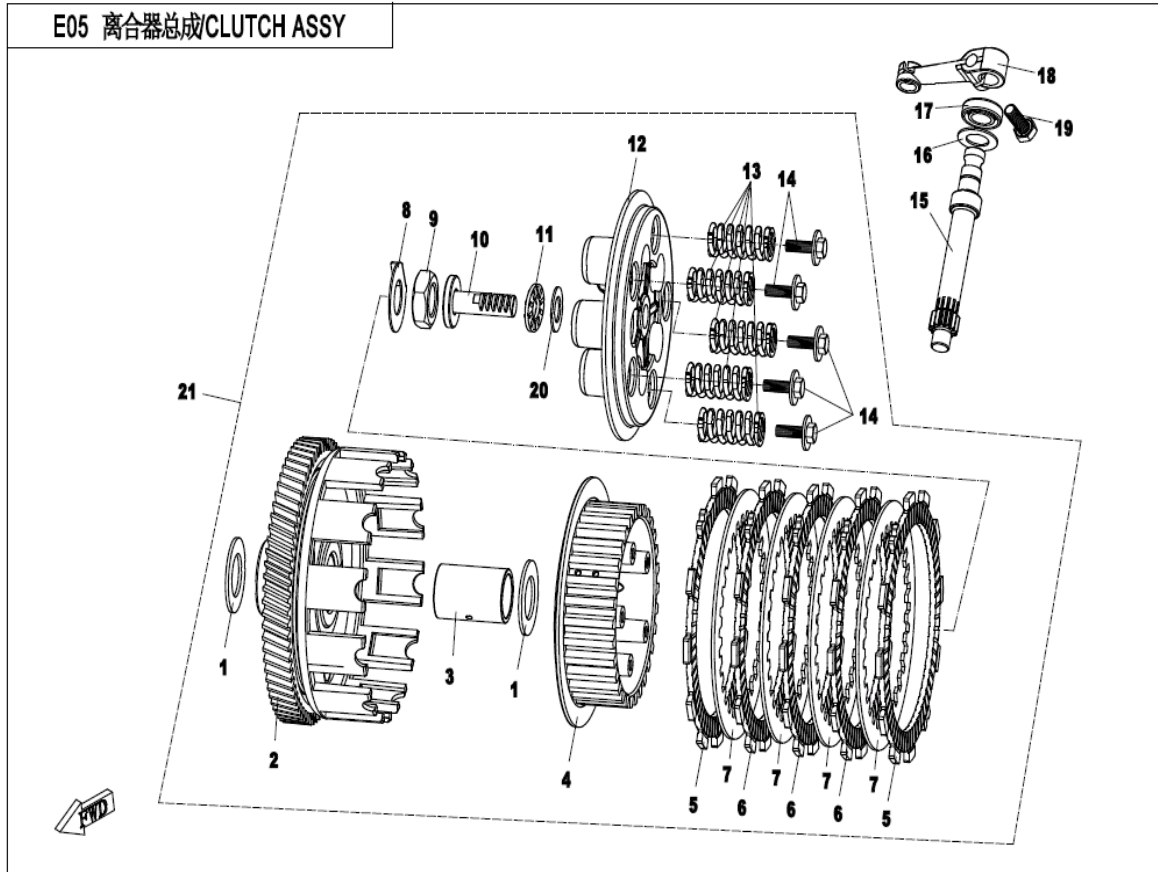
E04 曲柄连杆活塞总成/CRANKSHAFT & PISTON



E04 CRANKSHAFT /CONNECTING ROD & PISTON ASSY.

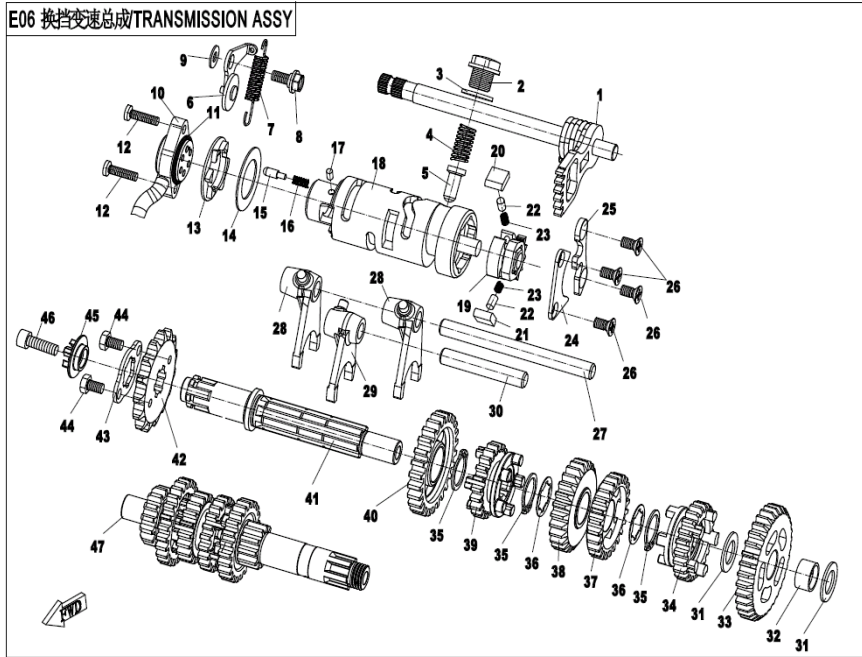
Item No.	Parts Number	Parts Name(EN)	Qty	Specification
01	0A70-040007	NUT M16	1	M16
02	0A70-040008	LOCK WASHER	1	
03	3121100	GUIDE BLOCK B4x4x16	1	B4x4x16
04	0A70-040009	DRIVE GEAR, OIL PUMP	1	
05	0A80-043000	PRIMARY DRIVEN GEAR ASSY	1	
06	0A80-040003	GEAR, CRANKSHAFT BALANCER	1	
07	0KIB-041000	CRANKSHAFT<(>&<)>CONNECTING ROD	1	
08	0A70-040011	WOODRUFF KEY	1	
09	0110-052008-00002	NUT	1	
10	0A70-0400A0	PISTON RING ASSY	1	
11	0C10-040003	CIRCLIP, PISTON PIN	2	
12	0C10-040001	PISTON	1	
13	0C10-040002	PISTON PIN	1	

E05 离合器总成/CLUTCH ASSY



E05 CLUTCH ASSY.

Item No.	Parts Number	Parts Name(EN)	Qty	Specification
01	0A70-050002	WASHER 20x34.5x2	2	20x34.5x2
02	0A80-051100	PRIMARY DRIVEN GEAR ASSY	1	
03	0A80-050001	BUSHING, PRIMARY DRIVEN GEAR	1	
04	0A70-051201	HUB, CLUTCH	1	
05	0A80-050010	DRIVE FRICTION DISC 1, CLUTCH	2	
06	0A80-050020	DRIVE FRICTION DISC 2, CLUTCH	3	
07	0A70-051202	DRIVEN DISC, CLUTCH	4	
08	0A70-050004	LOCK WASHER	1	
09	0A70-050005	NUT	1	M16X1.5
10	0A80-050006	ROD, CLUTCH	1	
11	0A80-050030	THRUST BEARING&BRACKET, CLUTCH	1	
12	0A80-050008	PRESSURE PLATE, CLUTCH	1	
13	0A70-051204	SPRING, CLUTCH	5	
14	30112-050016410	SCREW ASSY M5x16	5	M5x16
15	0A80-050009	ROD, CLUTCH	1	
16	0A70-052002	WASHER 10x20x1	1	10x20x1
17	0110-080005	OIL SEAL 10x20x5	1	10x20x5
18	0A80-050005	SEPARATE SWING ARM	1	
19	0010-090005-0010	BOLT M6x16	1	M6x16
20	0A80-050004	WASHER	1	
21	0A80-0500A0	CLUTCH ASSY	1	

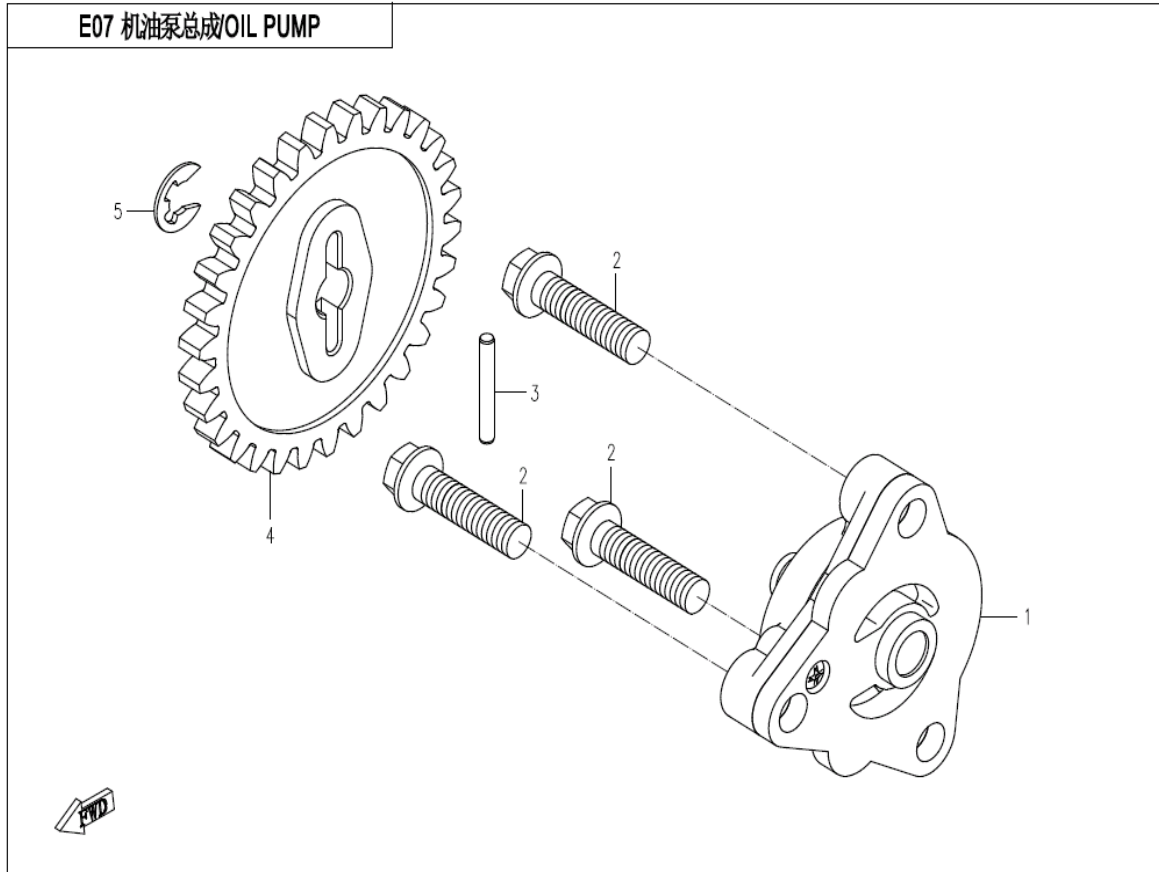


### E06 TRANSMISSION ASSY.

Item No.	Parts Number	Parts Name(EN)	Qty	Specification
01	0A80-063000-00001	GEARSHIFT ASSY	1	
02	0180-021008-00001	BOLT	1	
03	0180-011006	GASKET 14	1	14
04	0A70-060012	SPRING, NEUTRAL	1	
05	0A70-060013	STOPPER, NEUTRAL	1	
06	0A70-065100	STOPPER, CAM	1	
07	0A70-065003	GEARSHIFT LOCATED SPRING	1	
08	0A70-065001-00001	BOLT, GEARSHIFT CAM	1	
09	0A70-065002	WASHER 6	1	6
10	0A8V-066000-1001	GEAR POSITION SENSOR	1	
11	0A70-060014	O-RING 26.2x2.4	1	26.2x2.4
12	30116-050020410	SCREW ASSY M5x20	2	M5x20
13	0A70-064002	LOCATED PLATE, CAM	1	
14	0A70-064001	WASHER 25x40x1	1	25x40x1
15	0A70-064004	CONTACTOR, GEAR SWITCH	1	
16	0A70-064003	SPRING	1	
17	30901-0400600	PIN	1	4x6
18	0A80-064200-00001	SHIFT DRUM	1	
19	0A70-064100	DRIVEN GEAR, CAM	1	
20	0A70-064005	RH PAWL	1	
21	0A70-064008	LH PAWL	1	
22	0A70-064006	PIN, GEARSHIFT	2	
23	0A70-064007	SPRING	2	
24	0A70-060006	PAWL PLATE, GEARSHIFT	1	
25	0A70-060005	CAM GUIDE	1	
26	30107-060012410	SCREW M6x12	4	M6x12
27	0A70-060003-00001	FORK SHAFT	1	
28	0A70-060004	SHIFT FORK	2	
29	0A70-060002	FORK, MIDDLE	1	
30	0A70-060001-00001	FORK SHAFT	1	
31	0A80-062009	WASHER 15x25x1.5	2	15x25x1.5
32	0A80-062008	BUSHING	1	
33	0A80-062001	1-GEAR, COUNTERSHAFT	1	33
34	0A80-062005	5-GEAR, COUNTERSHAFT	1	22
35	0A80-061008	CIRCLIP	3	
36	0A80-062007	WASHER	2	
37	0A80-062004	4-GEAR, COUNTERSHAFT	1	24
38	0A80-062003	3-GEAR, COUNTERSHAFT	1	26
39	0A80-062006	6-GEAR, COUNTERSHAFT	1	21
40	0A80-062020	2-GEAR, COUNTERSHAFT	1	26
41	0K1A-062071	COUNTERSHAFT	1	
42	0A80-060001	DRIVE SPROCKET	1	
43	0A80-060002	GUARD, SPROKET	1	
44	30004-060010850	BOLT M6x10	2	M6x10
45	0K1A-060007	SPEED SENSOR DISC	1	
46	0110-090009-00002	INNER HEX SCREW	1	
46	0010-080008	DOWEL PIN	1	8X14
47	0A80-061000-00001	MAIN SHAFT ASSY	1	



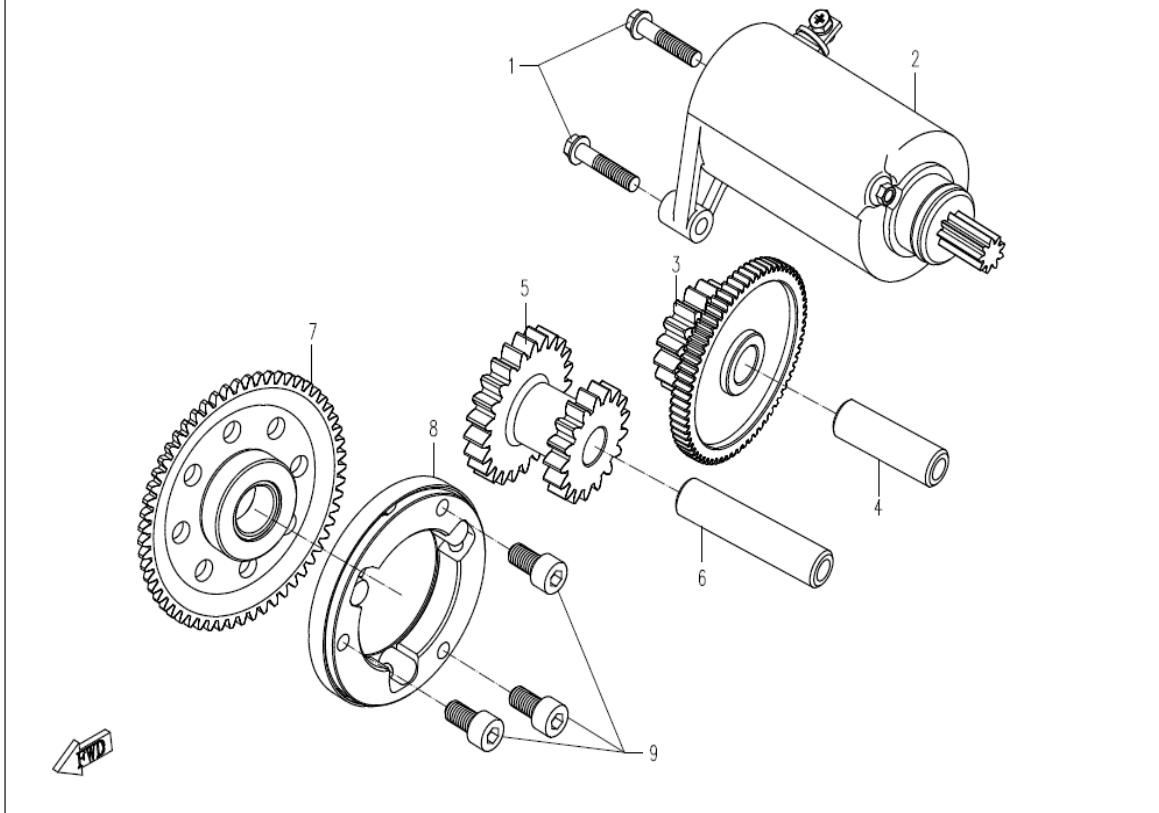
E07 机油泵总成 OIL PUMP



E07 OIL PUMP ASSY.

Item No.	Parts Number	Parts Name(EN)	Qty	Specification
01	0A70-071000	OIL PUMP SUB ASSY	1	
02	0010-021017-0010	BOLT M6x25	3	M6x25
03	30406-00201	ROLLER NEEDLE	1	P2.5x22
04	0A70-070001	DRIVEN GEAR, OIL PUMP	1	
05	30802-00605	CIRCLIP	1	6

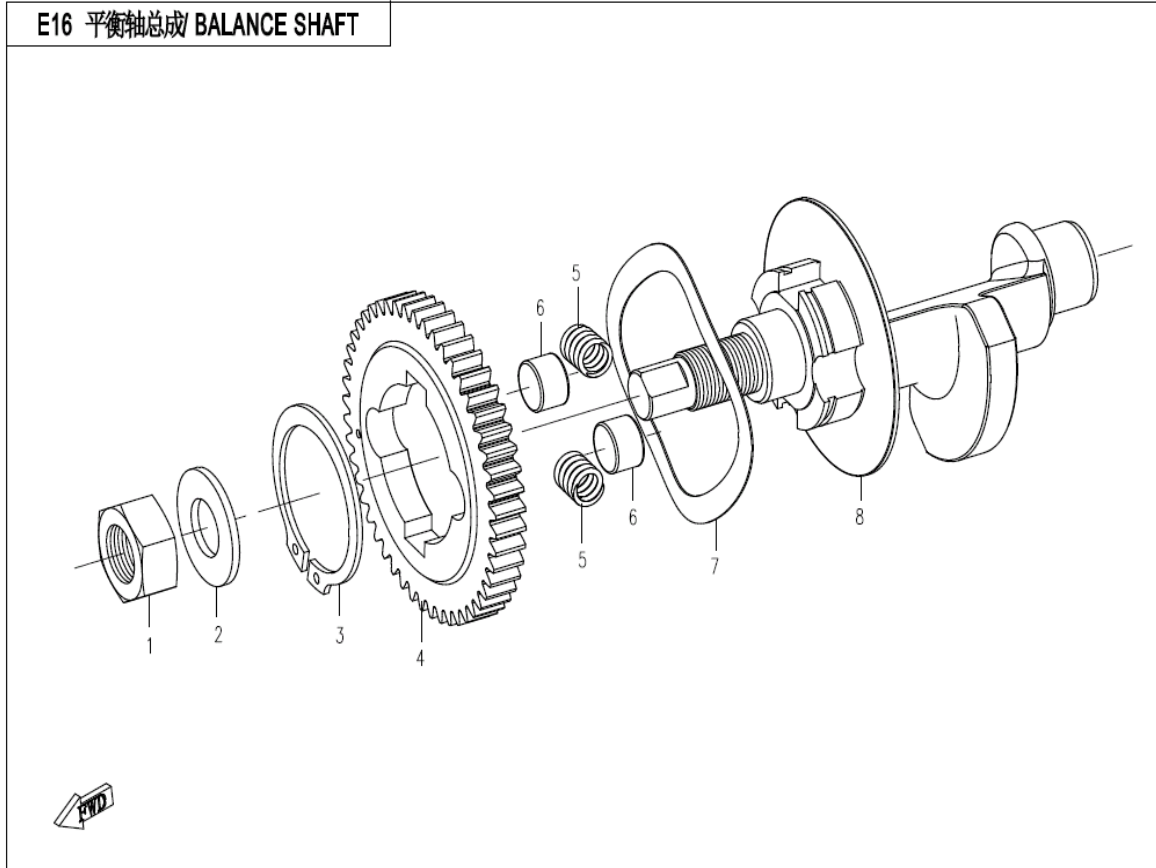
E09 启动系统总成 STARTING SYSTEM



E09 ELECTRIC STARTING ASSY.

Item No.	Parts Number	Parts Name(EN)	Qty	Specification
01	0010-021017-0010	BOLT M6x25	2	M6x25
02	0A80-093000	STARTING MOTOR	1	
03	0A80-090001-00001	DUAL GEAR 1	1	
04	0A80-090003	SHAFT, DUAL GEAR I	1	
05	0A80-090002-00001	DUAL GEAR 2	1	
06	0A70-091002-00001	SHAFT, DUAL GEAR	1	
07	0A8A-092000	GEAR, STARTING MOTOR	1	
08	0A8A-094000	CLUTCH	1	
09	0A8A-090004-00002	SCREW	3	

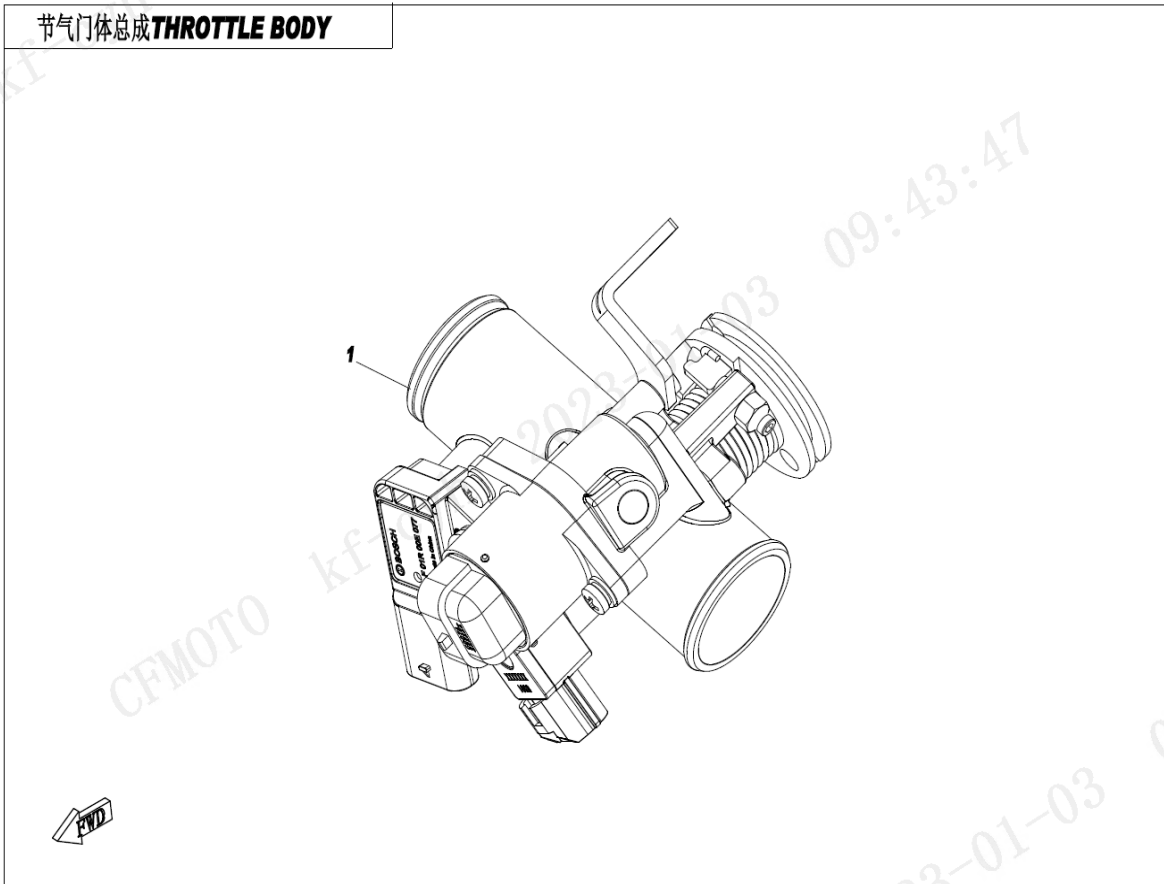
E16 平衡轴总成 BALANCE SHAFT



E16 BALANCE SHAFT ASSY.

Item No.	Parts Number	Parts Name(EN)	Qty	Specification
01	0110-051007-00002	NUT	1	
02	0010-051004	WASHER	1	14x28x2
03	0A80-160005	CIRCLIP38	1	38
04	0A80-160001	GEAR, BALANCE SHAFT	1	
05	0A80-160004	SPRING, BALANCER GEAR	2	
06	0A80-160003	DAMPER, BALANCE SHAFT GEAR	2	
07	0A80-160002	WASHER	1	
08	0K12-161000	BALANCE SHAFT ASSY	1	

节气门体总成 **THROTTLE BODY**



**E17 THROTTLE BODY ASSY.**

Item No.	Parts Number	Parts Name(EN)	Qty	Specification
01	0KIV-173000-4000	THROTTLE BODY	1	