

E-01 气缸、气缸头 CYLINDER BLOCK & CYLINDER HEAD



Id	Part No.	Description	Unit	Remark
E01-01	BJX12313A0M01	Cap nut M8	PC	Y
E01-02	MQA12345A0A00	Copper washer, bolt, cylinder $\Phi 10.5 \times \Phi 20 \times 2$	PC	Y
E01-03	BJX34210A0A00	Spark plug	PC	Y
E01-04	GIB19352A1B12	Thermostat Cover	PC	Y
E01-05	BLC12110B1B08	Block unit, cylinder	PC	Y
E01-06	BLC12242A3B08	Cover, cylinder head, LH	PC	Y
E01-07	Q1270845F32	Bolt, M8x45	PC	Y
E01-08	BJX12247A0A00	Gasket, cover, cylinder head, LH	PC	Y
E01-09	BLC12210A1B08	Head unit, cylinder	PC	Y
E01-10	BJX14137A0N02	Retainer, distributing camshaft	PC	Y
E01-11	PIF12243A0B08	Cover, valve	PC	Y
E01-12	PIF12246A0A00	Valve Cover O-Ring	SET	Y
E01-13	BLC12221A0A00	Gasket, cylinder head	PC	Y

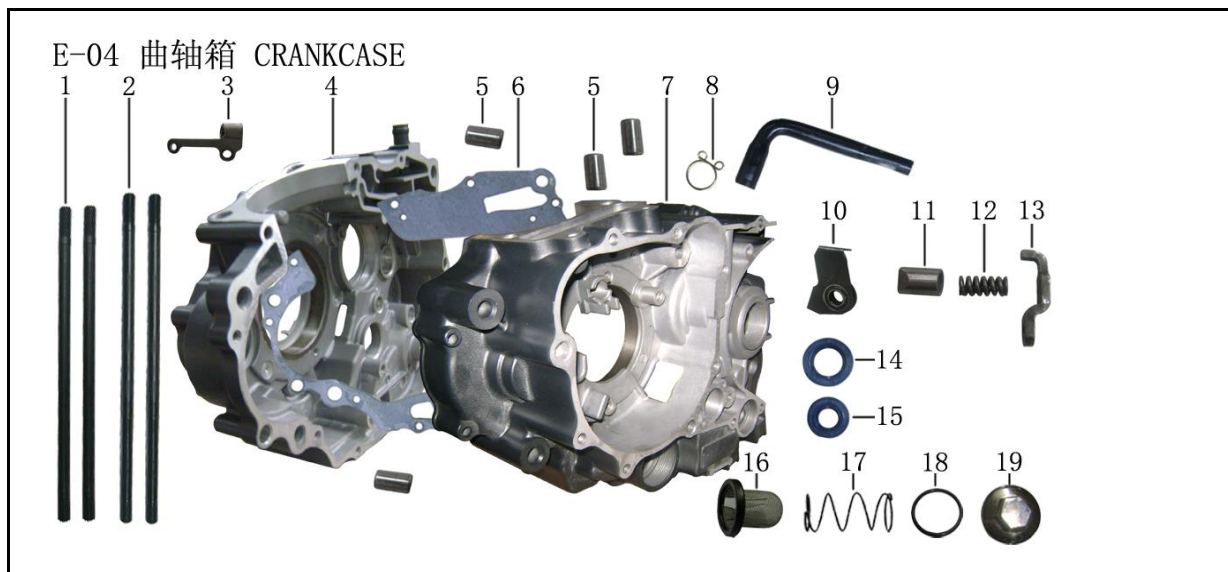
E01-14	BLD12121A0A00	Gasket, cylinder block	PC	Y
E01-15	BIA12218A0A00	Dowel pin, cylinder headΦ10×20	PC	Y
E01-16	BIA14519A0W02	Washer, Tensioner	PC	Y
E01-17	BLC14500A2Z50	Tensioner Assy	PC	Y
E01-18	TY039340A0A00	Coolant temperature sensor	PC	Y
E01-19	GIB19310A0A00	Valve, thermostat	PC	Y

E-02 配气机构 VALVE TRAIN				
Id	Part No.	Description	Unit	Remark
E02-01	BJX14410A0A00	Rocker arm Assy,	PC	Y
E02-02	BJX14421A0A00	Shaft, rocker arm II	PC	Y
E02-03	BIA14321A0A00	Sprocket, timing driven	PC	Y
E02-04	BJX14413A0A00	Shaft, rocker arm I	PC	Y
E02-05	BJX14662A0A00	Washer, tensioning plate	PC	Y
E02-06	BLC14100A0A00	Camshaft Assy I	PC	Y

E02-07	PGA14752A0A00	Split cone, valve	PC	Y
E02-08	BJX14751A0A00	Seat, spring, upper	PC	Y
E02-09	BJX14755A0Z50	Spring, valve, outer	PC	Y
E02-10	BJX14756A0Z50	Spring, valve, inner	PC	Y
E02-11	PGA14730A0A00	Oil seal, valve stem	PC	Y
E02-12	PGA14753A0A00	Valve Outer Spring Seat	PC	Y
E02-13	BJX14710A0Z04	Valve, intake	PC	Y
E02-14	BJX14720A0Z04	Valve, exhaust	PC	Y
E02-15	BIA14610A0A00	Guiding plate	PC	Y
E02-16	BJX14350A0A00	Chain, timing	PC	Y
E02-17	BJX14650A0A00	Tensioner	PC	Y

E-03 右曲轴箱盖、水泵组件RIGHT CRANKCASE COVER & WATER PUMP ASSY				
Id	Part No.	Description	Unit	Remark
E03-01	VMA15630A0B01	Dipstick Assy	PC	Y

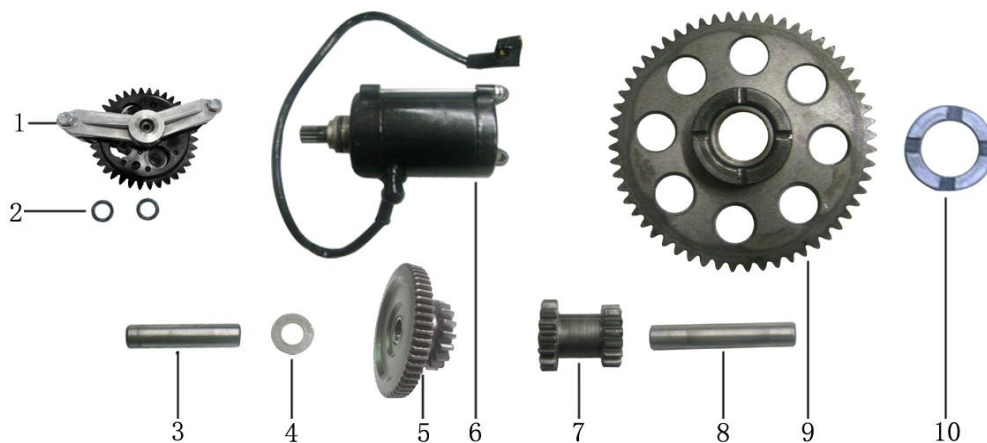
E03-02	BIA15612A0A00	O-ring	PC	Y
E03-03	BLD11310B7B65	Cover unit, crankcase, RH	PC	Y
E03-04	BLD19252A0B08	Pump Cover	PC	Y
E03-05	BJZ19255A0A00	Dowel PinΦ8×10	PC	Y
E03-06	BLD19254A0A00	Pump Hermetical Circle	PC	Y
E03-07	FJA22810A0M01	Clutch Controlling Rod	PC	Y
E03-08	GIA22840A0A00	Clutch Lever Oil Seal	PC	Y
E03-09	BIA22821A0A00	Clutch Lever Spring	PC	Y
E03-10	BIA22825A0A00	Spring, operating shaft, clutch	PC	Y
E03-11	PGA12218A0A00	Head, cylinder Set Pin	PC	Y
E03-12	GIA15620A0A00	Sight Glass	PC	Y
E03-13	BLD11319A0A00	Crankcase Cover Gasket,RH	PC	Y
E03-14	GIB19258A3A00	Overflow Pipe	PC	Y
E03-15	GIB35771A0A00	Overflow Pipe Clamp	PC	Y
E03-16	BLD15492A0B08	Cover, oil element	PC	Y
E03-17	MMX15493A1A00	O-ring, oil element cover	PC	Y
E03-18	MMX15490A1A00	Element Assy., oil	PC	Y
E03-19	BLD19270A0A00	Gear comp., water pump driven	PC	Y
E03-20	MME19200A0A00	Pump Assy., water	PC	Y
E03-21	Q676B25T30	Clamp Comp, Water Pipe	PC	Y
E03-22	BLE19610A0B01	Water pipe	PC	Y
E03-23	GIB13180A0A00	Oil seal, crankshaft, RH	PC	Y



Id	Part No.	Description	Unit	Remark
E04-01	BJX12343A0Z01	Stud B (M8×196.5)	PC	Y
E04-02	BJX12342A0Z01	Stud A (M8×205)	PC	Y
E04-03	BLD22824A1M01	Adjusting support, clutch cable	PC	Y
E04-04	BLD11110A1B08	Crankcase, RH	PC	Y
E04-05	GIA11118A0A00	Dowel pin (Φ10×14)	PC	Y
E04-06	BLD11119A2A00	Gasket, crankcase	PC	Y
E04-07	BLD11210A2B08	Crankcase, LH	PC	Y
E04-08	GIA20153A0N01	Clip, exhaust pipe	PC	Y
E04-09	QJZ20152A2A00	Pipe, exhaust	PC	Y
E04-10	BJA14361A0N01	Timing Chain Limited Plate	PC	Y
E04-11	FJA11232A0A00	Pin-Keeping	PC	Y
E04-12	FJA11233A0Z50	Pin-Keeping Spring	PC	Y
E04-13	FJA11226A0A00	Pin-Keeping Spring Plate	PC	Y
E04-14	GIA23790A0A00	Oil seal, 20×34×7	PC	Y
E04-15	GIA24190A2A00	Oil seal, gearshift shaft	PC	Y

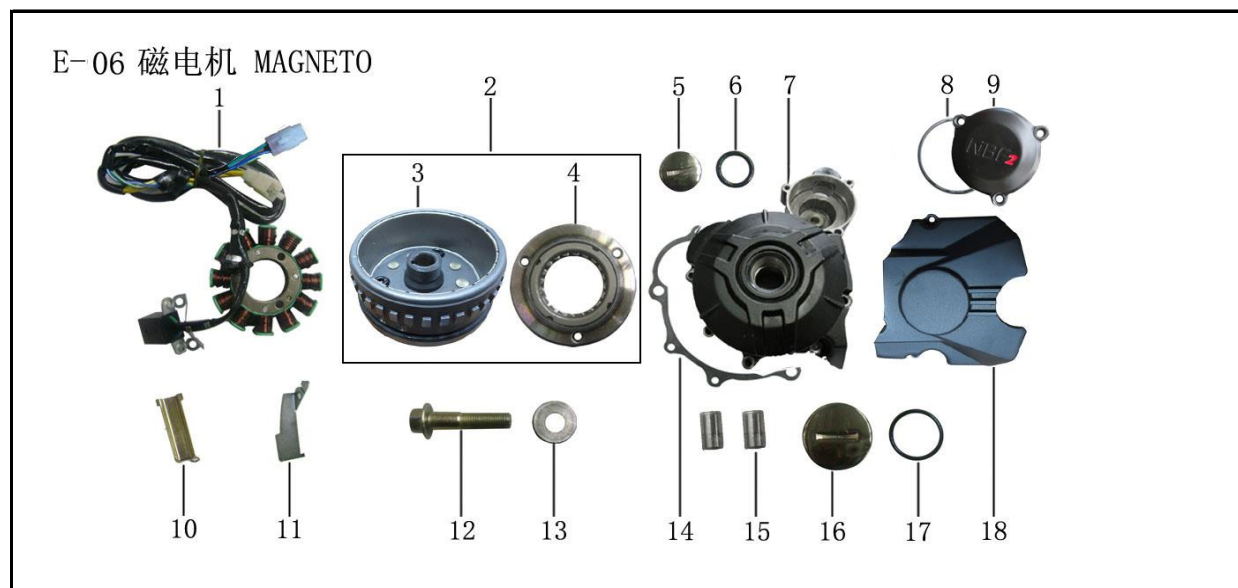
E04-16	BIA15450A0A00	Gauze filter	PC	Y
E04-17	BIA15461A0A00	Spring	PC	Y
E04-18	BIA12246A0A00	O-ring, cover gauze($\Phi 35 \times \Phi 3$)	PC	Y
E04-19	BIA15463A0M01	Cover, gauze filter	PC	Y

E-05 机油泵、起动机 OIL PUMP & STARTING MOTOR



Id	Part No.	Description	Unit	Remark
E05-01	BLD15100A0A00	Oil Pump Assy	PC	Y
E05-02	GIA15131A0A00	O-Ring ($\phi 9.4 \times \phi 2.4$)	PC	Y
E05-03	BLA28321A0A00	Shaft, dual-gear I	PC	Y
E05-04	BJX28312A0A00	Washer, Dual-gear	PC	Y
E05-05	GLX28311A1A00	Dual-gear comp. I	PC	Y
E05-06	GIA34700G5B08	Starting motor	PC	Y
E05-07	BJX28330A0A00	Dual-gear comp.II	PC	Y
E05-08	BLA28341A0A00	Shaft, dual-gear II	PC	Y
E05-09	BJX28150B1A00	Gear set, starting clutch	PC	Y

E05-10	BJX28172A0A00	Washer, gear, starting clutch	PC	Y
--------	---------------	-------------------------------	----	---



Id	Part No.	Description	Unit	Remark
E06-01	BJP31210A0A00	Stator set, magneto	PC	Y
E06-02	BJP31102A3A00	Flywheel clutch Assy	PC	Y
E06-03	BJP31110A0A00	Rotor set, magneto	PC	Y
E06-04	GLX28110A6A00	Starting clutch Assy	PC	Y
E06-05	PGB11412A5B08	Plug, watch hole	PC	Y
E06-06	BIA11414A0A00	O-ring, watch hole plug	PC	Y
E06-07	BLD11411A0B08	Cover, crankcase, LH	PC	Y
E06-08	GIA11422A0A00	O-ring, $\Phi 63 \times \Phi 3$	PC	Y
E06-09	BJX11421A3B67	Cover, upper	PC	Y
E06-10	BLA31911A0A00	Clip, magneto wire	PC	Y
E06-11	BIA31213A0A00	Stopper, magneto wiring harness	PC	Y

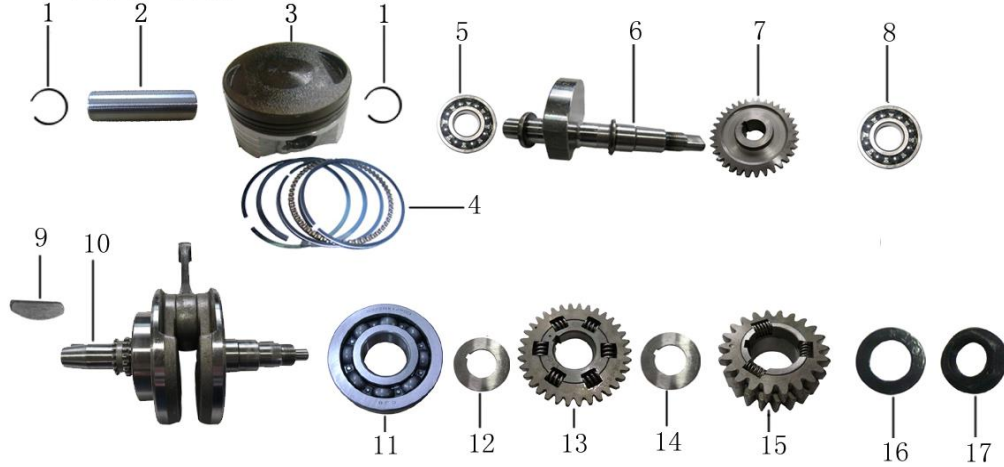
E06-12	GIA31913A0Z01	Bolt, M10×45	PC	Y
E06-13	BLA31312A0A00	Thrust washer	PC	Y
E06-14	BLA11419A1A00	Gasket, crankcase cover, LH	PC	Y
E06-15	GIA11118A0A00	Dowel pin, crankcase	PC	Y
E06-16	GIA11413A4B08	Cover, LH	PC	Y
E06-17	BIA11415A0A00	O-ring, plug,	PC	Y
E06-18	BLD11451A0B08	Rear cover, LH	PC	Y

E-07 离合器 CLUTCH

Id	Part No.	Description	Unit	Remark
E07-01	BIA22871A1A00	Clutch Mandrel	PC	Y
E07-02	BIA22861A1A00	Clutch Pusher	PC	Y
E07-03	Q96516003	Bearing, 16003	PC	Y
E07-04	GIA22631A0A00	Lock nut	PC	Y
E07-05	GIA22632A0A00	Thrust washer	PC	Y

E07-06	GIA22361A5A00	Plate, clutch lifter	PC	Y
E07-07	GIA22371A6A00	Spring, Clutch	SET	Y
E07-08	GIA22330A7A00 GIA22330B1A00	Disc set, clutch friction	SET	Y
E07-09	GIA22341A5A00	Plate, clutch	PC	Y
E07-10	GIA22351A2A00	Plate, clutch pressure	PC	Y
E07-11	BLD22320A0A00	Center comp., clutch	PC	Y
E07-12	BLD22310A1A00	Clutch Assy	PC	Y
E07-13	BLD22110A3A00	Outer comp., clutch	PC	Y
E07-14	BLD22100A4A00	Body, clutch	PC	Y
E07-15	GIA22372A0A00	Spline washer	PC	Y
E07-16	FLA22373A0A00	Bush, clutch	PC	Y
E07-17	FLA22348A0A00	Collar, clutch	PC	Y

E-08 曲轴、活塞 CRANKSHAFT & PISTON

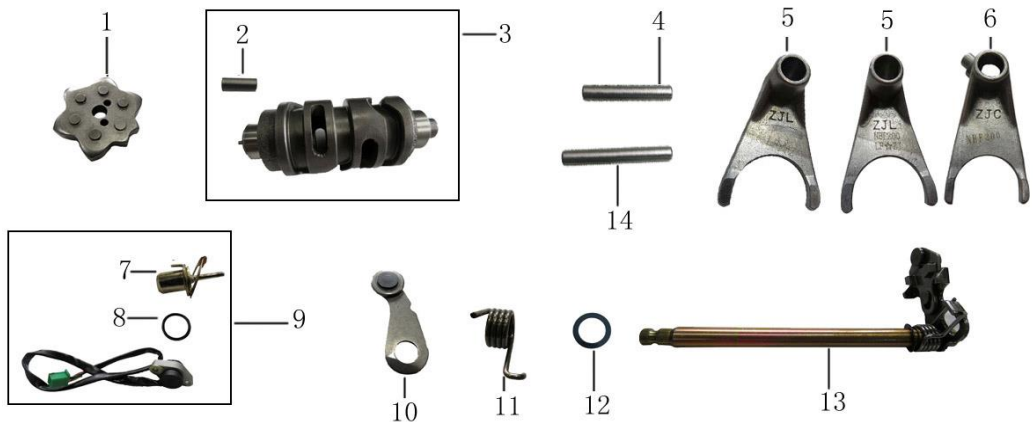


Id	Part No.	Description	Unit	Remark
E08-01	MIA13222A0A00	Circlip, piston pin	PC	Y
E08-02	MIA13221A0A00	Pin, piston	PC	Y
E08-03	BLC13211A0A00	Piston	PC	Y
E08-04	BLC13300A0A00	Ring set, piston	PC	Y
E08-05	Q9656204P6F	Bearing,6204/P6/FJK	PC	Y
E08-06	BLD13611A0A00	balance shaft	PC	Y
E08-07	SLZ13641A1A00	Gear, balance shaft driven	PC	Y
E08-08	Q9656302C	Bearing,6302/CJB	PC	Y
E08-09	VMA13118A0A00	Key, woodruff	PC	Y
E08-10	BLE13100A1A00	Crankshaft & connecting rod	PC	Y
E08-11	FB093850A1A00	Bearing, crankshaft, RH	PC	Y
E08-12	SLZ13633A0A00	Washer, balance shaft drive gear	PC	Y
E08-13	SLZ13630A1A00	Gear comp., balance shaft drive	PC	Y
E08-14	SLZ13634A0A00	Washer II, balance shaft drive gear	PC	Y
E08-15	BLD22620A0A00	Gear comp., primary drive	PC	Y

E08-16	MMX22633A0A00	Washer, primary drive gear spring	PC	Y
E08-17	MMX22631A0N03	Nut, primary drive gear fastening	PC	Y

E-09 传动装置 TRANSMISSION				
Id	Part No.	Description	Unit	Remark
E09-01	FB093850A3A00	Bearing, 6202 RS	PC	Y
E09-02	BLD23600A3A00	Main shaft Assy	PC	Y
E09-03	Q9656204P6F	Bearing, 6204/P6/FJK	PC	Y
E09-04	GIA22712A0N03	Locating plate, sprocket	PC	Y
E09-05	GIA22711B9Z50	Sprocket, output	PC	Y
E09-06	Q9656204P6F	Bearing, 6204/P6/FJK	PC	Y
E09-07	BLD23700A6A00	Countershaft Assy	PC	Y
E09-08	FB093850A8A00	Bearing, needle,6203\FJK	PC	Y

E-10 变档机构 GEARSHIFT DEVICE



Id	Part No.	Description	Unit	Remark
E10-01	FJA24220A0A00	Shaft comp., gearshift	PC	Y
E10-02	PGY24222A0A00	Set pin, 4x10	PC	Y
E10-03	BLD24210A0A00	Drum	PC	Y
E10-04	PIF24421A0A00	Shaft, fork	PC	Y
E10-05	FJA24411A0A00	Fork (I)	PC	Y
E10-06	FLA24412A1A00	Fork (II)	PC	Y
E10-07	GIA35760A0A00	Gear Indicator Contact Point Comp	PC	Y
E10-08		O-ring, gear indicator	PC	Y
E10-09	BLD35710A2A00	Gear Indicating Wire Harness	PC	Y
E10-10	FJA24310A0A00	Limit plate	PC	Y
E10-11	FJA24323A0Z50	Spring, locating plate torsion	PC	Y
E10-12		Gearshif Shaft Washer	PC	Y
E10-13	BLD24100A0N03	Gearshift shaft Assy	PC	Y

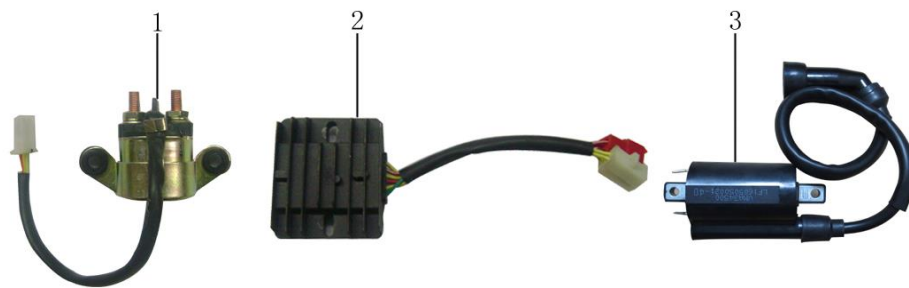
E10-14	BLD24422A0A00	Shaft, fork II	PC	Y
--------	---------------	----------------	----	---

E-11 变档杆 GEARSHIFT PEDAL



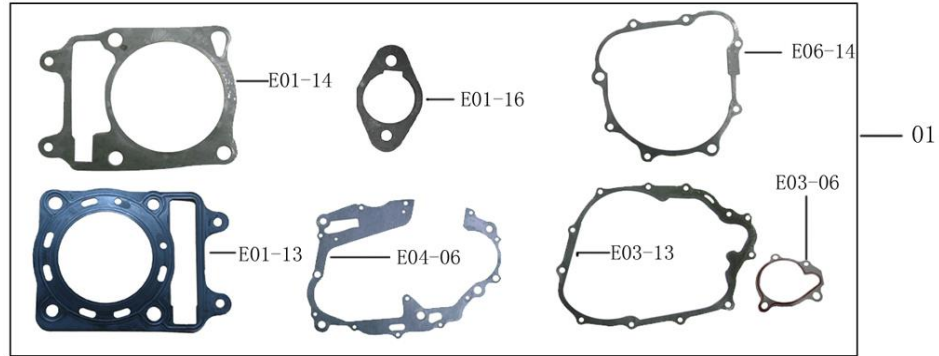
Id	Part No.	Description	Unit	Remark
E11-01	GIA24700-0025	Gearshift pedal Assy	PC	Y

E-12 电器 ELECTRIC ELEMENTS



Id	Part No.	Description	Unit	Remark
E12-01	BJA34600A0A00	Start Relay	PC	Y
E12-02	GIX31600A0A00	Voltage Regulator	PC	Y
E12-03	VMA34500A2A00	Ignition Coil	PC	Y

E-13 全套密封垫 A FULL SET OF GASKET



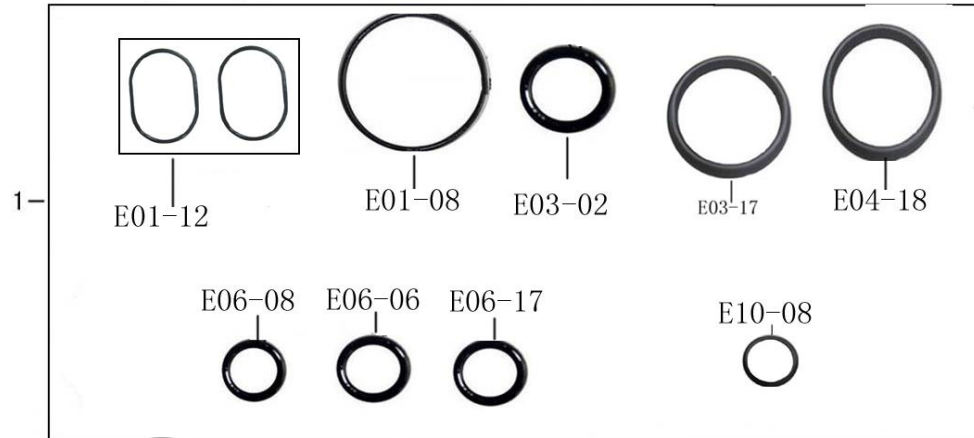
Id	Part No.	Description	Unit	Remark
E13-01		A FULL SET OF GASKET	PC	SET

E-14 全套油封 A FULL SET OF SEAL



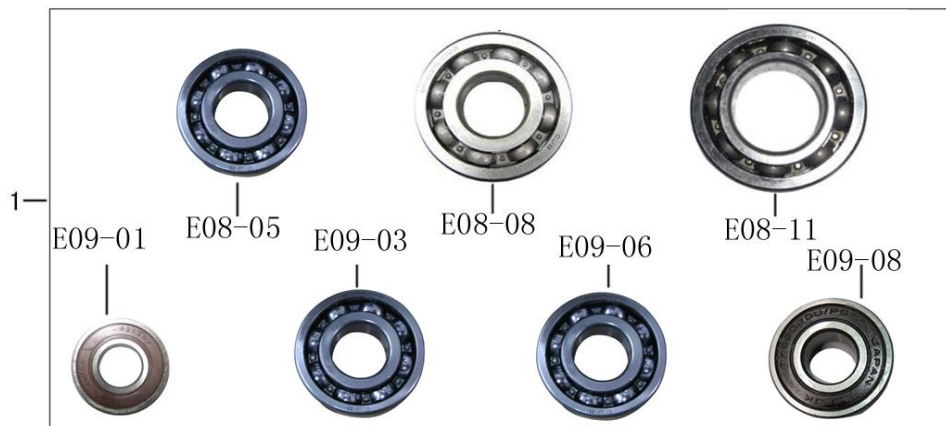
Id	Part No.	Description	Unit	Remark
E14-01		A FULL SET OF SEAL	PC	SET

E-15 全套 O 型圈 A FULL OF O-RING



Id		Description	Unit	Remark
E15-01	Part No.	A FULL OF O-RING	PC	SET

E-16 全套轴承 A FULL SET OF BEARING



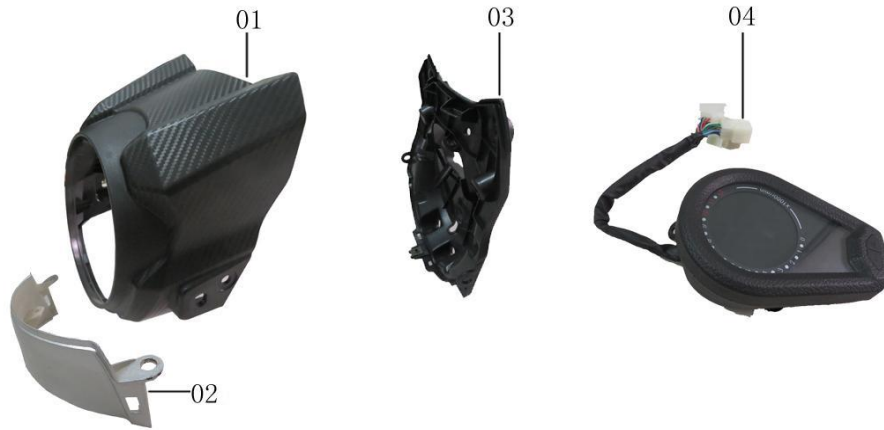
Id	Part No.	Description	Unit	Remark
E16-01		A FULL SET OF BEARING	PC	SET

F-01 灯具 LIGHTS



Id	Part No.	Description	Unit	Remark
F01-01	QLX33100A0A00	Headlight Assy	PC	Y
F01-02	QLX33550A1A00	Winker, front, LH	PC	Y
F01-03	QLX33510A1A00	Winker, front, RH	PC	Y
F01-04	QLX33610A1A00	Winker, rear, RH	PC	Y
F01-05	QLX33650A1A00	Winker, rear, LH	PC	Y
F01-06	QLX33700A0A00	Taillight Assy	PC	Y
F01-07	QJZ33760A3A00	Light comp., license plate	PC	Y

F-02 前导流罩 FRONT FAIRING



Id	Part No.	Description	Unit	Remark
F02-01	QLX43111A1A00	Housing set, headlight	PC	Y
F02-02	QLX43117A0W01	Ornament, headlight housing	PC	Y
F02-03	QLX43113A1A00	Plate, headlight housing	PC	Y
F02-04	QLX37000A0A00	Meter Assy	PC	Y

F-03 握把 开关 GRIP & SWITCH



Id	Part No.	Description	Unit	Remark
F03-01	QLR46310A0A00	Cable comp., throttle	PC	Y
F03-02	NJB46200A0A00	Cable, clutch	PC	Y
F03-03	QLX47110A1B03	Bridge, upper	PC	Y
F03-04	QLX47300A0A00	Grip comp., throttle	PC	Y
F03-05	QLX47411A0A00	Grip, LH	PC	Y
F03-06	QLX35100A0A00	Switch, handlebar, RH	PC	Y
F03-07	QMA35200A0A00	Switch, handlebar, LH	PC	Y
F03-08	QLX57100A0B01	Mirror, rearview, RH	PC	Y
F03-09	QLX57200A0B01	Mirror, rearview, LH	PC	Y
F03-10	QJZ47600A0B01	Lever set, clutch	PC	Y

F-04 方向柱 STEERING STEM



Id	Part No.	Description	Unit	Remark
F04-01	QLX51210A0B03	Stem set, steering	SET	Y
F04-02	QJX51951A0A00	Steering Stem Bearing Set	PC	Y
F04-03	QJX51950A1A00	Pipe set, steering bar	PC	Y
F04-04	QJX51952A0A00	Lug, speed sensor	PC	Y
F04-05	QJZ51954A0A00	Pipe set, steering bar	PC	Y
F04-06	QJZ35940A0B01	Stay set, ignition switch	PC	Y
F04-07	QLX51310A0B03	Bridge set, steering stem top	PC	Y
F04-08	ZMD51313A0M01	Cushion Cover, Steering Stem	PC	Y
F04-09	QLX47151A0B03	Clamp, steering bar, RH	PC	Y
F04-10	QLX47161A0B03	Clamp, steering bar, LH	PC	Y
F04-11	QLX47120A0B03	Holder set, steering bar pipe	PC	Y
F04-12	ZMD51214A0A00	Upper Cushion, Steering Stem	PC	Y

F-05 前挡泥板 减震器 FRONT FENDER & SHOCK ABSORBER



Id	Part No.	Description	Unit	Remark
F05-01	QLX53110A0W30	Front Fender	PC	Y
F05-02	WIA35946A0N03	Wire Holder (Front Brake)	PC	Y
F05-03	QLX53910A0B03	front right fender braket comp.	PC	Y
F05-04	QLX33850A1B03	side reflector braket comp. RH	PC	Y
F05-05	NIX33810A0A00	Reflector, front	PC	Y
F05-06	QLX53920A0B03	front left fender braket comp.	PC	Y
F05-07	QLX33850A0B03	side reflector braket comp. LH	PC	Y
F05-08	QLR52437A0A00	Oil Seal,Front Shock Absorber	PC	Y
F05-09	QLR52439A0A00	Dust Cover	PC	Y
F05-10	QLX52400A0H31	Shock absorber, front, RH	PC	Y
F05-11	QLX52500A0H31	Shock absorber, front, LH	PC	Y
F05-12	QJZ62100A0M01	Shock absorber Assy, rear	PC	Y

F-06 散热器护板 FUEL TANK GUARD



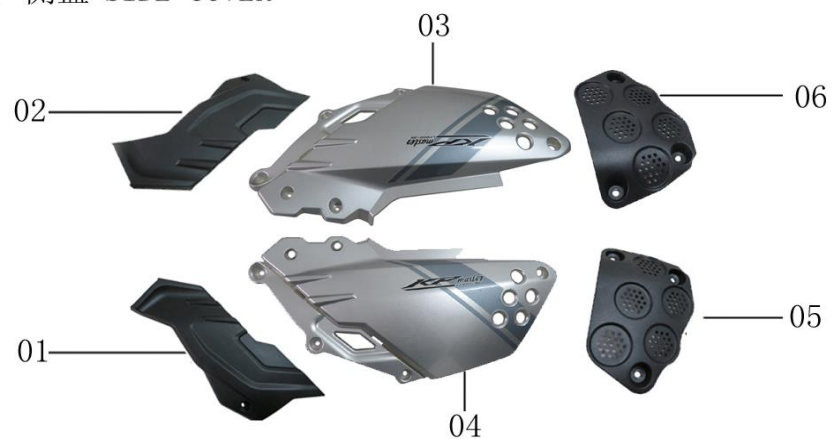
Id	Part No.	Description	Unit	Remark
F06-01	QLX19461A0A00	Hood, radiator	PC	Y
F06-02	QLX49121A0A00	Ornament II, fuel tank, LH	PC	Y
F06-03	QLX49111A0A00	Ornament II, fuel tank, LH	PC	Y
F06-04	QLX49112A0A00	Ornament, fuel tank inner, RH	PC	Y
F06-05	QLX49122A0A00	Ornament, fuel tank inner, LH	PC	Y
F06-06	QLX43541A0A00	Ornament, fuel tank, RH	PC	Y
F06-07	QLX43545A0A00	Ornament, fuel tank, LH	PC	Y

F-07 油箱 FUEL TANK



Id	Part No.	Description	Unit	Remark
F07-01	QJZ16951A0A00	Cushion, fuel tank front	PC	Y
F07-02	QLX43543A1A00	Ornament, fuel tank upper	PC	Y
F07-03	QLX37810A0A00	Sensor, fuel	PC	Y
F07-04	TY039520A0A00	Pump, oil	PC	Y
F07-05	QLX16610C7B02 QLX16610C8F19	Tank comp., fuel	PC	Y
F07-06	QLX49110A0A00	Right Strip, fuel Tank	PC	Y
F07-07	QLX16954A0B03	Plate, fuel tank front	PC	Y
F07-08	QLX49120A0A00	Left Strip, fuel Tank	PC	Y
F07-09	QLX16957A0B03	Plate, fuel tank front II	PC	Y
F07-10	QJZ16995A0A00	Cushion, rear fuel tank	PC	Y
F07-11	QLX16700A0A00	Hose	PC	Y

F-08 侧盖 SIDE COVER



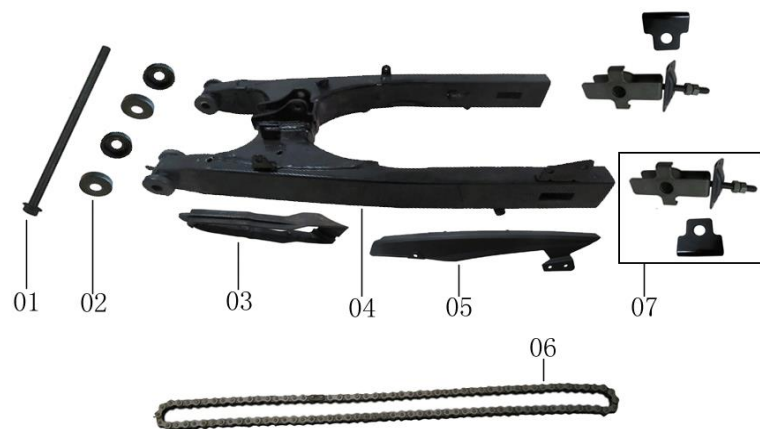
Id	Part No.	Description	Unit	Remark
F08-01	QLX43414A0A00	Ornament, side cover, LH	PC	Y
F08-02	QLX43314A0A00	Ornament, side cover, RH	PC	Y
F08-03	QLX43310D7W01 QLX43310D8W01	Cover set, side, RH	PC	Y
F08-04	QLX43410D7W01 QLX43410D8W01	Cover set, side, LH	PC	Y
F08-05	QLX43416A0A00	Gauze, ornament, LH	PC	Y
F08-06	QLX43316A0A00	Gauze, ornament, RH	PC	Y

F-09 前轮 FRONT WHEEL



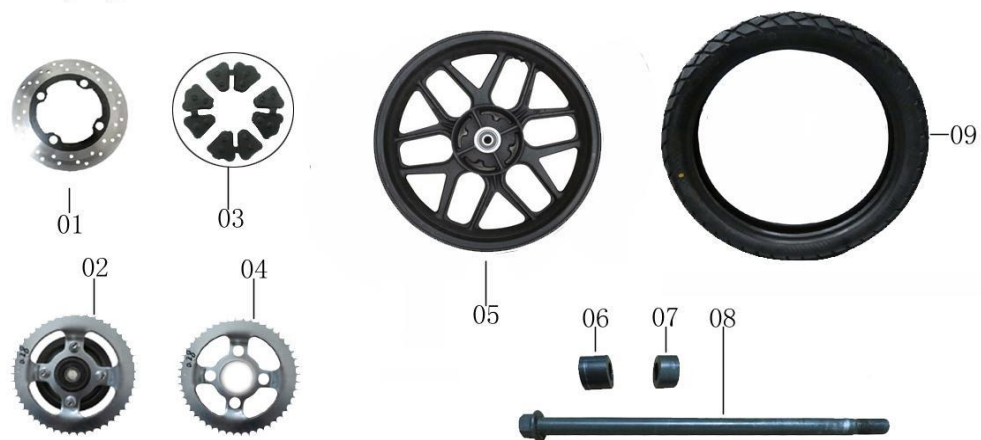
Id	Part No.	Description	Unit	Remark
F09-01	QIX61951A2N04	Axle, front	PC	Y
F09-02	QJZ54912A0N04	Bush, front wheel, RH	PC	Y
F09-03	QJS56311A2A00	Disc, front brake	PC	Y
F09-04	QLR54100A0B03	Rim comp., front wheel	PC	Y
F09-05	QLR54700A1A00	Tyre, front	PC	Y
F09-06	QJS37870A1A00	Sensor, speed	PC	Y

F-10 后叉 REAE FORK



Id	Part No.	Description	Unit	Remark
F10-01	QJZ61951A1N04	Shaft, rear fork	PC	Y
F10-02	QLL61240A0N04	Dust cover, rear fork shaft	PC	Y
F10-03	QLR61491A1A00	Guide, chain	PC	Y
F10-04	QLX61101A0B15	Fork comp., rear	PC	Y
F10-05	QLX61311A1A00	Chaincase	PC	Y
F10-06	Q980428MH128C	Chain, 428MH×128	PC	Y
F10-07	QJZ61400A1A00	Adjuster set, chain	PC	Y

F-11 后轮 REAR WHEEL



Id	Part No.	Description	Unit	Remark
F11-01	QJZ66311A1A00	Disc, rear brake	PC	Y
F11-02	QLR68500A2A00	Hub Assy, sprocket	PC	Y
F11-03	QJZ64253A1	Buffer, rear wheel	PC	Y
F11-04	QLR68521A2N01	Sprocket	PC	Y
F11-05	QLR64100A4B03	Rim, rear wheel	PC	Y
F11-06	QJZ64913A0N04	Rear Wheel Bush, LH	PC	Y
F11-07	QJZ64912A0N04	Rear Wheel Bush, RH	PC	Y
F11-08	ZJX54911A1N04	Axle, rear	PC	Y
F11-09	QLR64700A1A00	Tyre, rear	PC	Y

F-12 坐垫 后挡泥板 SEAT & REAR FENDER



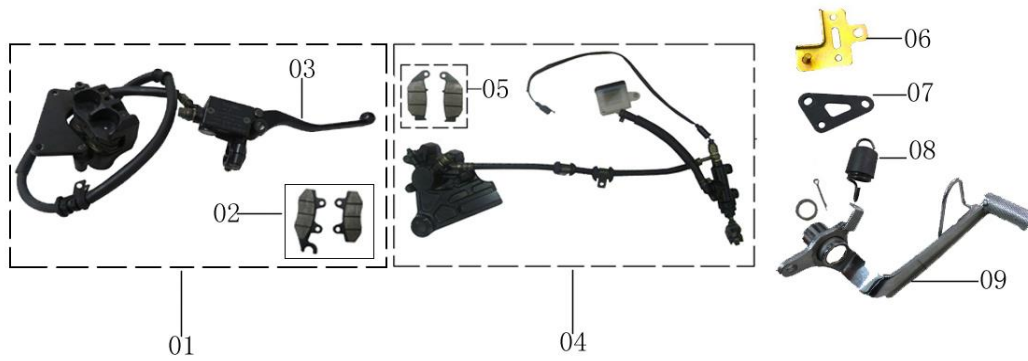
Id	Part No.	Description	Unit	Remark
F12-01	QJZ63411A0A00	Flap, rear mud	PC	Y
F12-02	QLX63111A0A00	Head, rear fender	PC	Y
F12-03	QLX63131A0A00	Body, rear fender mid	PC	Y
F12-04	QLX44920A0B12	Plate set, seat rear connecting	PC	Y
F12-05	QLX63151A2A00	Tail, rear fender	PC	Y
F12-06	ZJA33820A0A00	Reflector, rear	PC	Y
F12-07	QLX44100A0A00	Seat Assy	PC	Y
F12-08	QLX63155A0A00	Ornament, rear fender rear	PC	Y

F-13 空滤器 排气消声器 AIR CLEANER & EXHAUST MUFFLER



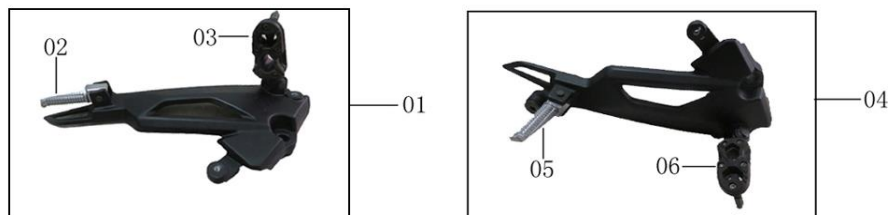
Id	Part No.	Description	Unit	Remark
F13-01	QLX17100A0A00	Cleaner Assy, air	PC	Y
F13-02	QJZ17120A0A00	Element, air cleaner	PC	Y
F13-03	QJZ17125A0A00	Element II, air cleaner	PC	Y
F13-04	QLX31850A0B03	Plate set, battery pressing	PC	Y
F13-05	QLX18392A0W01	Mantle, muffler	PC	Y
F13-06	QLX18390A0B11	Ornament set, muffler	PC	Y
F13-07	QLX18281A0A00	Hood, exhaust pipe	PC	Y
F13-08	QLX18000A0B11	Exhaust muffler Assy	PC	Y

F-14 前后制动器 FRONT&REAR BRAKE



Id	Part No.	Description	Unit	Remark
F14-01	QLX56010A0A00	Brake comp., front hydraulic	PC	Y
F14-02	QJZ56520A3A00	Front Brake Shoe Set	PC	Y
F14-03	QJZ47511A0B01	Front Brake Lever	PC	Y
F14-04	QLX66010A0A00	Rear Hydraulic Disc Brake	PC	Y
F14-05	QJZ66520A3A00	Rear Brake Shoe Set	PC	Y
F14-06	QJZ66940A0N03	Bracket set, rear brake reservoir	PC	Y
F14-07	QLX65415A0N03	Hanging Plate, Rear Brake Spring	PC	Y
F14-08	QLX65940A0N04	Spring set, rear brake pedal	PC	Y
F14-09	QJZ65410A0M01	Pedal, rear brake	PC	Y

F-15 搁脚组合 FOOTRESTS



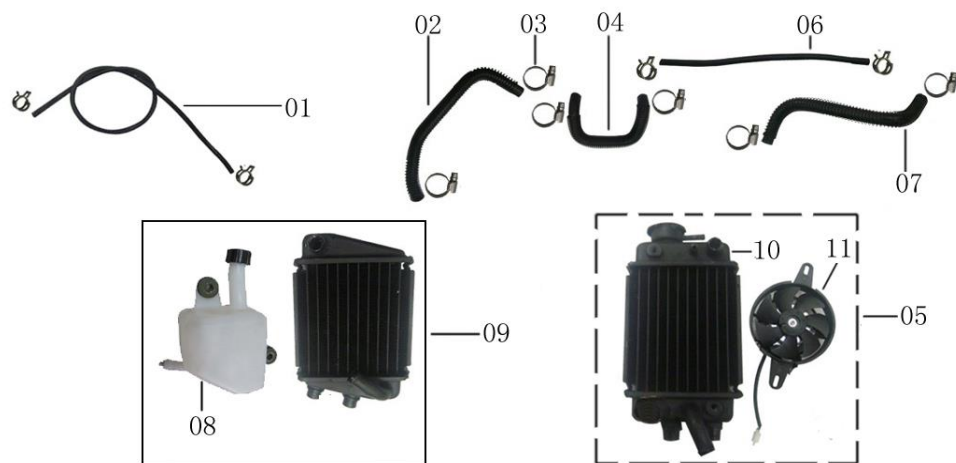
Id	Part No.	Description	Unit	Remark
F15-01	QLX42400A0B08	Footrest Assy, rider, LH	PC	Y
F15-02	QJZ42611A0A00	Treadle, pillion, LH	PC	Y
F15-03	QLX42410-0001	Footrest comp., rider, LH	PC	Y
F15-04	QLX42300A0B08	Footrest Assy, rider, RH	PC	Y
F15-05	QJZ42511A0A00	Treadle, pillion, RH	PC	Y
F15-06	QLX42310-0001	Footrest comp., rider, RH	PC	Y

F-16 车架总成 FRAME BODY



Id	Part No.	Description	Unit	Remark
F16-01	QLX41100A0B15	Body weldment, frame	PC	Y
F16-02	QLL42710A1B03	Plate set, engine front connecting	PC	Y
F16-03	QLR42200A0B01	Stand, side	PC	Y
F16-04	QLX45511A0W01	Handrail, RH	PC	Y
F16-05	QLX45531A0W01	Handrail, LH	PC	Y
F16-06	QLX63910A0B03	Bracket, rear fender front body front	PC	Y
F16-07	QLX48000A1A00	Lock Assy	PC	Y

F-17 散热器总成 RADIATOR



Id	Part No.	Description	Unit	Remark
F17-01	QLX19362A0A00	Pipe, small	PC	Y
F17-02	QJZ19430A1A00	Hose, radiator inlet	PC	Y
F17-03	Q676B25	Clamp, 25	PC	Y
F17-04	QJZ20176A1A00	Pipe., connecting	PC	Y
F17-05	QLX19420A0B01	Radiator set II.	PC	Y
F17-06	QLX19131A0A00	Pipe, storage reservoir outlet	PC	Y
F17-07	QLX19430A0A00	Hose, radiator outlet	PC	Y
F17-08	QLX19100-0001	Reservoir, storage	PC	Y
F17-09	QLX19400A0B01	Radiator set	PC	Y
F17-10	无代码	Radiator	PC	Y
F17-11	JMH19800A0A00	Fan Assy	PC	Y

F-18 电器 ELECTRICAL ELEMENTS



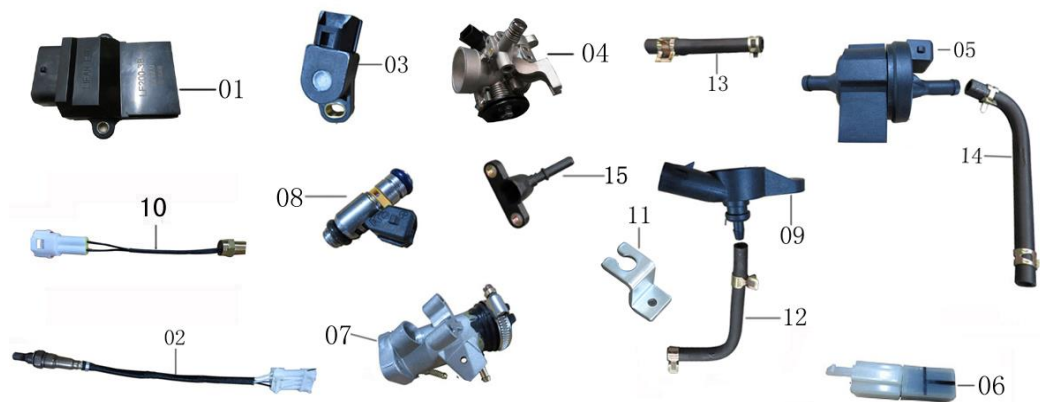
Id	Part No.	Description	Unit	Remark
F18-01	QLX32100B4A00	Cable, main	PC	Y
F18-02	QJZ38100A1B01	Horn	PC	Y
F18-03	QMA38210B1A00	Relay, flashing	PC	Y
F18-04	TY038270A0A00	EFI Relay	PC	Y
F18-05	QLX31500A1A00	Battery, 12N9-BS	PC	Y

F-19 燃油蒸发系统 FUEL EVAPORATING SYSTEM



Id	Part No.	Description	Unit	Remark
F19-01	QLX20300A0A00	Fuel Evaporating System	PC	Y
F19-02	QJZ20430A0B01	Stay, Canister, active carbon	PC	Y

F-20 电喷系统 ELECTRONIC FUEL INJECTION SYSTEM



Id	Part No.	Description	Unit	Remark
F20-01	QLX39100A1A00	Efi controller	PC	Y
F20-02	WKP39310A0A00	Oxygen sensor	PC	Y
F20-03	WKP39320A0A00	Throttle position sensor	PC	-
F20-04	AIA39601A0A00	Throttle body	PC	Y
F20-05	WKP39620A0A00	Idle valve (carbon canister)	PC	Y
F20-06	WKP39350A0A00	Air temperature sensor	PC	Y
F20-07	BLE39701A2Z50	Intake manifold comp	PC	Y
F20-08	TY039650A7A00	Injector	PC	Y
F20-09	TY039330A0A00	Intake pressure sensor	PC	Y
F20-10	TY039340A0A00	Water temperature sensor	PC	Y
F20-11	BLC39741A0A00	Lug, intake air pressure sensor	PC	Y
F20-12	QJP39613A0A00	Pipe, pressure collecting	PC	Y
F20-13	QJP39442A0A00	Pipe, idling gulp	PC	Y

F20-14	QJP39445A2A00	Pipe, idling gulp valve inlet	PC	Y
F20-15	QMA39630A1A00	Rail, fuel	PC	Y