



B-1 LIGHT ASSY HEAD

NO.	PARTS NO.	PARTS NAME	QTY
1	2026-15-00001	HEADLIGHTS	1
2	2048-15-00000	HEADLIGHT DECORATIVE RING	1
3	B0500004212	DACROMET BLUNT HEAD SELF TAPPING SCREW ST4.2 × 12	8



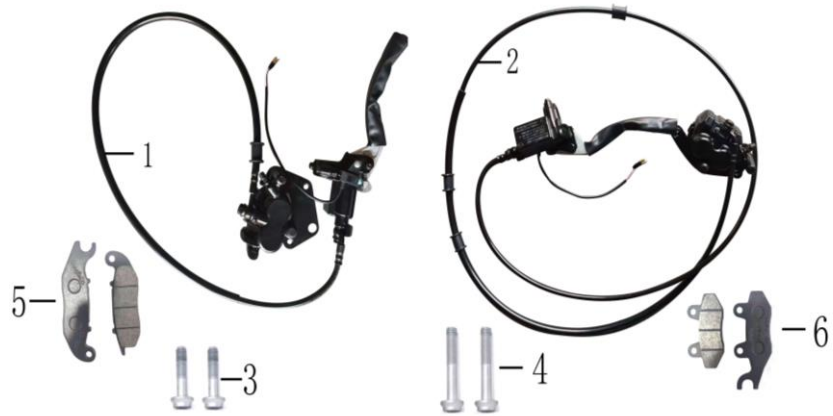
B-2 SPEED METER ASSY

NO.	PARTS NO.	PARTS NAME	QTY
1	4007-15-00001	METER	1
2	2015-15-00000	INSTRUMENT HOUSING	1
3	B0290000512	FLAT GASKET WITH A DIAMETER OF 5 × 12 × 1	4
4	B0050004210	CROSS GROOVE SELF TAPPING SCREW ST4.2 × 10	4
5	B0110000616	DACROMET BOLT M6 × 16	3



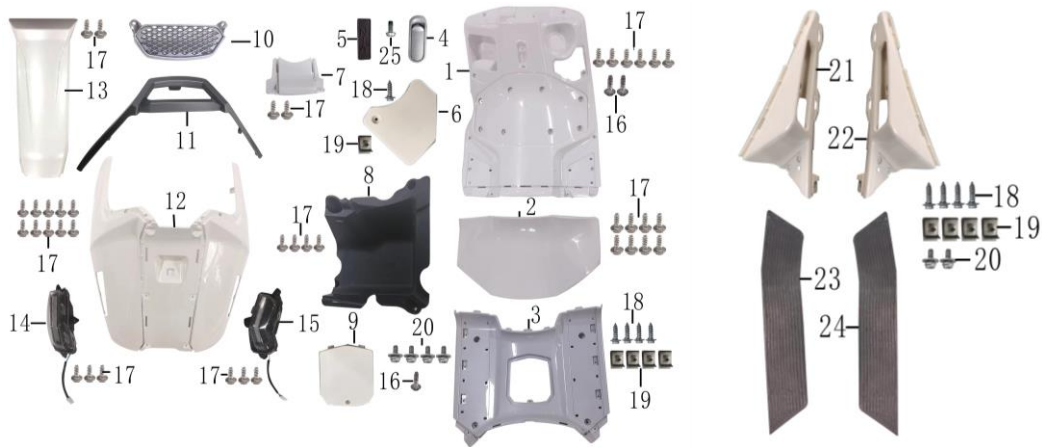
B-3 HANDLE COMP STRG & MIRROR ASSY BACK

NO.	PARTS NO.	PARTS NAME	QTY
1	2025-15-00001	LEFT MIRROR	1
2	2025-15-00002	RIGHT MIRROR	1
3	6008-15-00000	DIRECTIONAL HANDLE	1
4	4038-15-00000	LEFT HANDLEBAR SLEEVE	1
5	4039-15-00000	THROTTLE LEVER SLEEVE	1
6	4003-15-00000	BALANCE BLOCK	2
7	4043-15-00001	LEFT SWITCH	1
8	4044-15-00001	RIGHT SWITCH	1
9	4001-15-00000	DOUBLE CABLE THROTTLE FIXING SEAT	1
10	B0160001045	HEXAGONAL FLAT HEAD M10 * 45	1
11	B0560000001	STEERING LEVER LOCKING SLEEVE	1
12	B0040000010	HEXAGONAL FLANGE NUT M10 SELF-LOCKING	1
13	2002-15-00000	HEAD COVER	1
14	4033-15-00000	UPPER OIL GATE LINE L=1800/85	1
15	4033-15-00001	LOWER THROTTLE LINE L=1800/85	1
16	B0490000042	DACROMET SPRING CLIP WITH A DIAMETER OF 4.2	2
17	B0500004212	DACROMET BLUNT HEAD SELF TAPPING SCREW ST4.2 × 12	2
18	2083-15-00000	STEERING HANDLE SCREW PROTECTIVE STRIP	1
19	B0360004816	DACROMET SELF TAPPING SCREW ST4.8 × 16	2



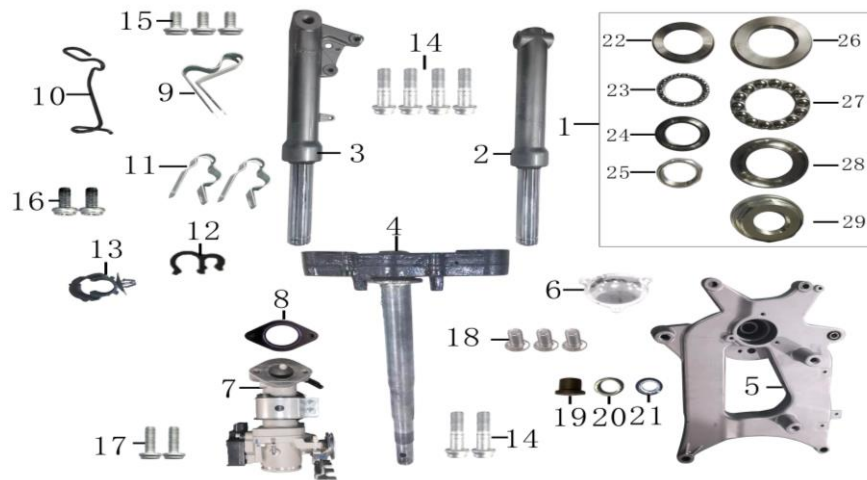
B-4-1 BRAKE SYSTEM

NO.	PARTS NO.	PARTS NAME	QTY
1	6027-15-00001	FRONT DISC BRAKE PUMP	1
2	6070-15-00001	REAR DISC BRAKE PUMP	1
3	B0110000845	DACROMET BOLT M8 × 45	2
4	B0110000830	DACROMET BOLT M8 × 30	2
5	6027-15-01001	FRONT DISC BRAKE PAD ASSEMBLY	1
6	6070-15-02001	REAR DISC BRAKE PAD ASSEMBLY	1



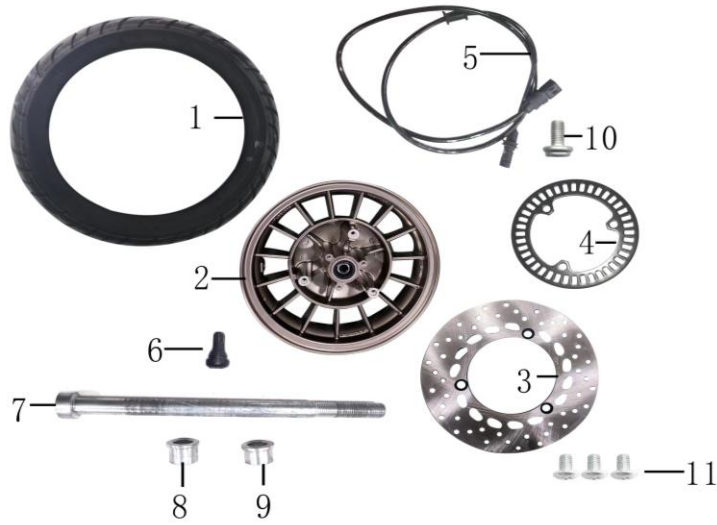
B-5 PLASTIC PARTS GROUP

NO.	PARTS NO.	PARTS NAME	QTY
1	2010-15-00000	TOOLBOX	1
2	2050-15-00000	TOOLBOX DECORATION	1
3	2014-15-00000	FOOT PEDAL	1
4	2044-15-00000	A HOOK	1
5	4035-15-00000	NUMBER COVER	1
6	2076-15-00000	MAKEUP KETTLE LID	1
7	2060-15-00000	TOOLBOX CONNECTION	1
8	2012-15-00000	TOOLBOX BUCKET	1
9	2078-15-00000	OIL PUMP MAINTENANCE COVER	1
10	2074-15-00000	FRONT MOUTH TONGUE STYLE	1
11	2073-15-00000	FOREMOUTH	1
12	2017-15-00000	FRONT CIRCUMFERENCE	1
13	2035-15-00000	SMALL PANEL	1
14	2027-15-00001	LEFT FRONT TURN SIGNAL	1
15	2027-15-00002	RIGHT FRONT TURN SIGNAL	1
16	B0500004216	DACROMET BLUNT HEAD SELF TAPPING SCREW ST4.2 × 16	3
17	B0500004212	DACROMET BLUNT HEAD SELF TAPPING SCREW ST4.2 × 12	38
18	B0360004816	DACROMET SELF TAPPING SCREW ST4.8 × 16	9
19	B0490000042	DACROMET SPRING CLIP WITH A DIAMETER OF 4.2	9
20	B0110000616	DACROMET WASHER BOLT M6 × 16	7
21	2075-15-00000	LEFT FOOT PEDAL CONNECTION	1
22	2075-15-00001	RIGHT FOOT PEDAL CONNECTION	1
23	2034-15-00001	LEFT FOOT PEDAL LEATHER	1
24	2034-15-00002	RIGHT FOOT PEDAL LEATHER	1
25	B0110000616	DACROMET BOLT M6 × 16	1



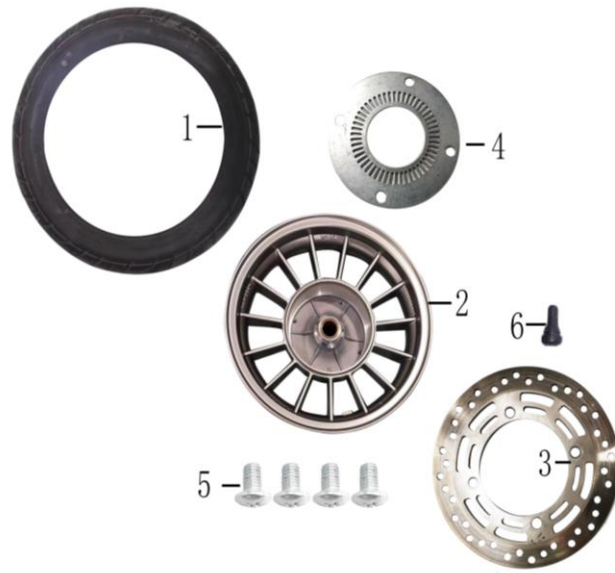
B-6 LOWER CONNECTION BOARD & STEEL BOWL

NO.	PARTS NO.	PARTS NAME	QTY
1	6028-15-00000	STEEL BOWL	1
2	6021-15-00000	LEFT FRONT SHOCK ABSORBER L=469MM	1
3	6022-15-00000	RIGHT FRONT SHOCK ABSORBER L=469MM	1
4	6006-15-00000	LOWER LINK BOARD	1
5	6055-15-00000	CONNECTION BOARD	1
6	6074-15-00000	CONNECTING PLATE DUST COVER	1
7	4028-15-00001	THROTTLE BODY	1
8	8006-15-00001	SEALING GASKET FOR THROTTLE VALVE	1
9	2090-15-00000	THROTTLE CORD CLAMP	1
10	6018-15-00001	CLAMP ON THE FRONT DISC BRAKE OIL PIPELINE	1
11	6063-15-00000	REAR DISC BRAKE OIL PIPELINE CLAMP	2
12	2082-15-00000	ABS SENSOR CABLE CLAMP	1
13	2089-15-00000	NYLON CLAMP	1
14	B0110001042	DACROMET BOLT M10 × 42	6
15	B0110000612	DACROMET BOLT M6 × 12	3
16	B0110000616	DACROMET BOLT M6 × 16	2
17	B0110000630	DACROMET BOLT M6 × 30	2
18	B0180000510	INTERNAL HEXAGONAL BOLT M5 × 10	3
19	6083-17-00001	CONNECTING PLATE INNER LINER 24MM	1
20	6083-17-00002	CONNECTING PLATE OUTER LINER 5MM	1
21	B0030000016	HEXAGONAL FLANGE NUT M16	1
22	6028-15-00005	THE LOWER STEEL BOWL IS CONCAVE	1
23	6028-15-00007	UPPER BEARING BALLS	1
24	6028-15-00004	THE UPPER STEEL BOWL IS CONCAVE	1
25	6028-15-00002	DIRECTION POST SELF-LOCKING NUT	1
26	6028-15-00006	THE LOWER STEEL BOWL IS CONCAVE	1
27	6028-15-00008	LOWER BEARING BALLS	1
28	6028-15-00003	THE UPPER STEEL BOWL IS CONCAVE	1
29	6028-15-00001	DIRECTION POST DUST NUT	1



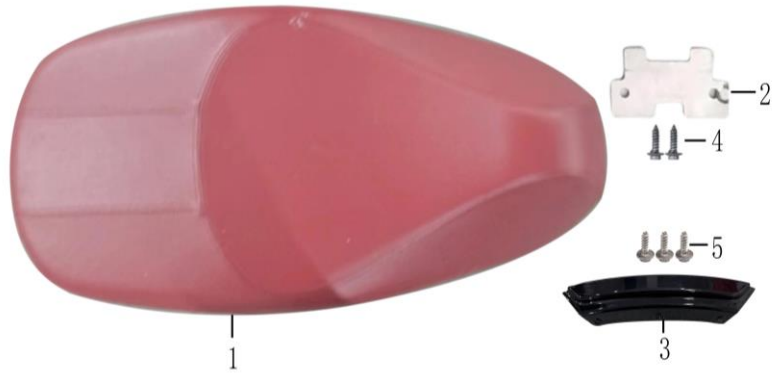
B-7 WHEEL SET FR

NO.	PARTS NO.	PARTS NAME	QTY
1	6032-15-00001	FRONT VACUUM TIRE	1
2	6024-15-00001	FRONT ALUMINUM WHEEL	1
3	6026-15-00000	FRONT DISC BRAKE DISC	1
4	6042-15-00000	FRONT SENSING DISC	1
5	4056-15-00001	FRONT ABS SENSOR	1
6	6039-10-00000	FRONT VALVE	1
7	B0070012230	FRONT AXLE M14 X 1.5 X 230-10.9	1
8	B0220001518	FRONT WHEEL AXLE SLEEVE WITH A DIAMETER OF 15X24X18	1
9	B0220001516	FRONT WHEEL AXLE SLEEVE WITH A DIAMETER OF 15X24X16	1
10	B0110000612	DACROMET BOLT M6 × 12	1
11	B0120000512	INTERNAL HEXAGONAL PAN HEAD BOLT M5 × 12	3



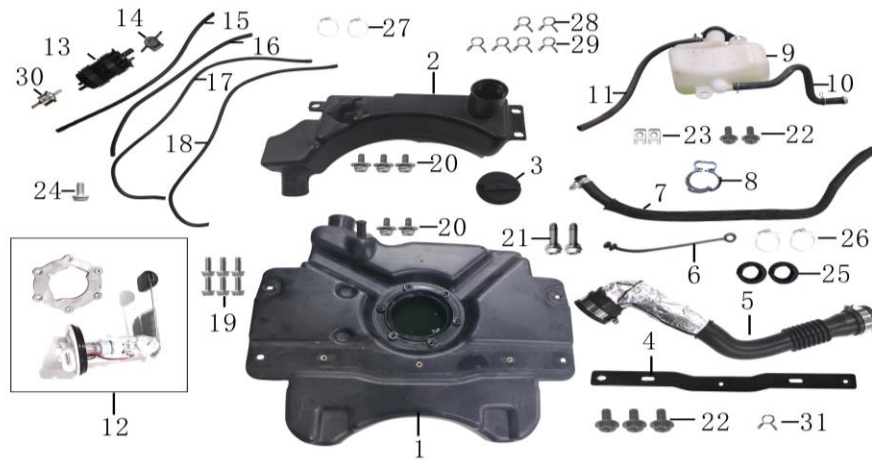
B-8 WHEEL COMP RR CAST

NO.	PARTS NO.	PARTS NAME	QTY
1	6033-15-00001	REAR VACUUM TIRE	1
2	6025-15-00001	REAR ALUMINUM WHEEL	1
3	6069-15-00000	REAR DISC BRAKE DISC	1
4	6071-15-00000	REAR INDUCTION DISK	1
5	B0120000512	INTERNAL HEXAGONAL PAN HEAD BOLT M5 × 12	4
6	6040-10-00000	REAR VALVE	1



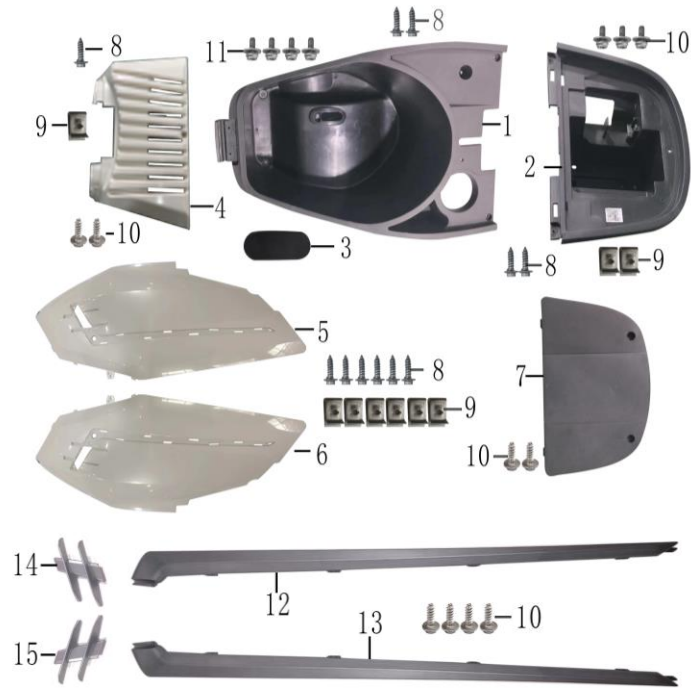
B-9 SEAT ASSY

NO.	PARTS NO.	PARTS NAME	QTY
1	6004-15-00000	CUSHION	1
2	6079-15-00000	SEAT CUSHION PRESSURE PLATE	1
3	2286-15-00000	SEAT CUSHION DECORATIVE PARTS	1
4	B0360004816	DACROMET SELF TAPPING SCREW ST4.8 × 16	2
5	B0500004212	DACROMET BLUNT HEAD SELF TAPPING SCREW ST4.2 × 12	3



B-10 FUEL UNIT ASSY

NO.	PARTS NO.	PARTS NAME	QTY
1	6001-15-00000	FUEL TANK CAP	1
2	2084-15-00000	FUEL TANK PRESSURE PLATE	1
3	4002-15-00000	FUEL TANK CONNECTING PIPE	1
4	6051-15-00000	FUEL TANK CAP STRAP	1
5	2085-15-00000	AUXILIARY OIL PIPE	1
6	6003-10-00000	FUEL TANK PIPE CLAMP	1
7	2086-15-00000	KETTLE	1
8	6020-15-00000	WATER PIPE A	1
9	2079-15-00000	WATER PIPE B	1
10	2091-15-00000	OIL PUMP	1
11	2091-15-00001	CARBON CANISTER	1
12	4013-15-00001	DUMP VALVE	1
13	6034-15-00000	OIL PIPE L=105MM	1
14	6035-10-00000	OIL PIPE L=130MM	1
15	4040-15-01000	OIL PIPE L=300MM	1
16	4040-15-02000	OIL PIPE L=330MM	1
17	4041-15-01000	HEXAGONAL FLANGE BOLT M5 × 16	1
18	4041-15-02000	DACROMET WASHER BOLT M6 × 16	1
19	B0010000516	DACROMET BOLT M6 × 20	6
20	B0190000616	CROSS GROOVE ROUND HEAD GASKET BOLT M5 × 12	5
21	B0110000620	SPRING CLIP WITH A DIAMETER OF 5	2
22	B0530000512	DACROMET BOLT M6 × 12	5
23	B0300000005	SEALING RING FOR THE CONNECTING PIPE OF THE MAIN AND AUXILIARY FUEL TANKS	2
24	B0110000612	SEALING RING CLAMP	1
25	2087-15-00000	AUXILIARY OIL PIPE CLAMP	2
26	2088-15-00000	OIL PIPE CLAMP WITH A DIAMETER OF 8	2
27	6075-15-00000	NEGATIVE PRESSURE PIPE CLAMP WITH A DIAMETER OF 7	2
28	6037-10-00000	CHECK VALVE	2
29	6038-10-00000	WASTEPIPE CLAMPS	4
30	6036-10-00000	Check valve	1
31	8005-15-01001	Wastepipe clamps	1



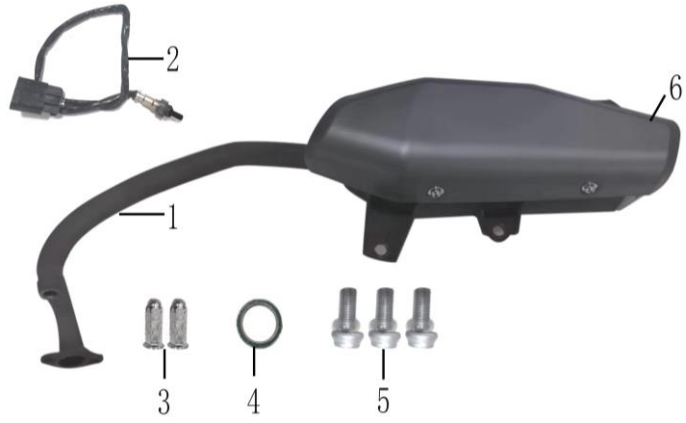
B-12 BOX LUGGAGE ASSY & REAR CARRIER

NO.	PARTS NO.	PARTS NAME	QTY
1	2021-15-00000	SEAT BARREL	1
2	2045-15-00000	BATTERY BOX	1
3	2065-15-00000	SEAT BUCKET SMALL COVER	1
4	2019-15-00000	SEAT BARREL FRONT WALL	1
5	2005-15-00000	LEFT COVER	1
6	2006-15-00000	RIGHT SIDE COVER	1
7	2022-15-00000	BATTERY BOX COVER	1
8	B0360004816	DACROMET SELF TAPPING SCREW ST4.8 × 16	11
9	B0490000042	DACROMET SPRING CLIP WITH A DIAMETER OF 4.2	9
10	B0500004212	DACROMET BLUNT HEAD SELF TAPPING SCREW ST4.2 × 12	8
11	B0190000616	DACROMET WASHER BOLT M6 × 16	7
12	2038-15-00000	LEFT SIDE COVER TRIM STRIP	1
13	2039-15-00000	RIGHT SIDE COVER TRIM STRIP	1
14	2058-15-00000	LEFT SIDE COVER TRIM	1
15	2059-15-00000	RIGHT SIDE COVER TRIM	1



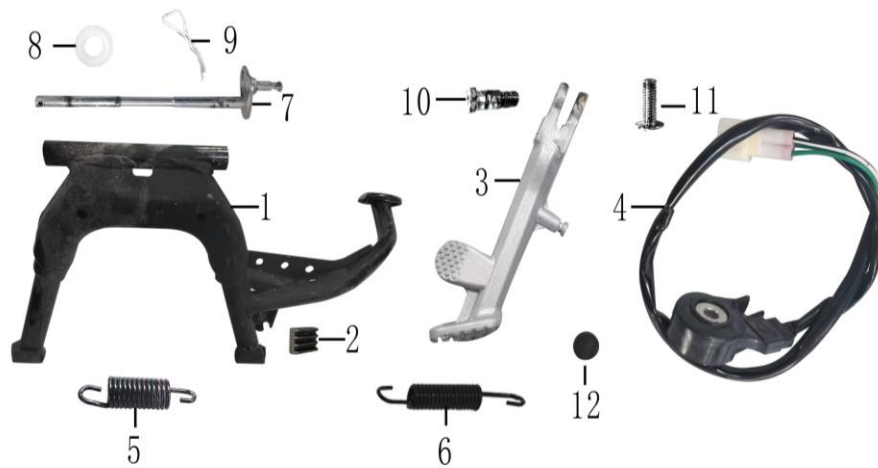
B-13 AIR/C ASSY

NO.	PARTS NO.	PARTS NAME	QTY
1	6005-15-00000	AIR FILTER	1
2	2159-15-00000	AIR FILTER CLAMP	1
3	B0170000616	DACROMET LARGE FLAT HEAD BOLT M6 × 16	1
4	B0110000630	DACROMET BOLT M6 × 30	2
5	6005-15-01000	AIR FILTER CARTRIDGES	1



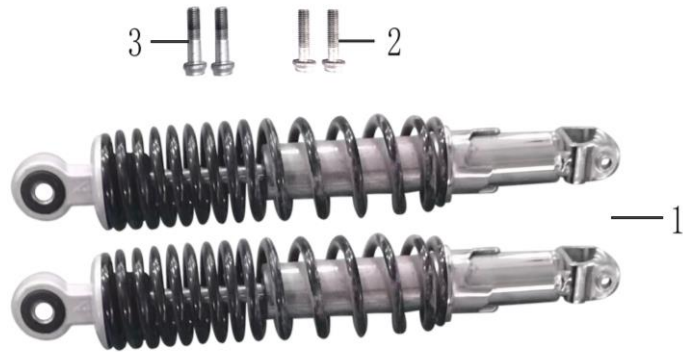
B-14 MUFFLER ASSY EXH

NO.	PARTS NO.	PARTS NAME	QTY
1	6029-15-00001	MUFFLER	1
2	4026-15-00000	OXYGEN SENSOR	1
3	B0270000832	CAP NUT M8 × 32	2
4	6030-10-00000	SILENCER SEALING GASKET	1
5	B0110001030	DACROMET BOLT M10 × 30	3
6	6029-15-01001	MUFFLER COVER	1



B-15 STAND COMP MAIN & SIDE STAND COMP

NO.	PARTS NO.	PARTS NAME	QTY
1	6010-15-00000	DOUBLE BRACE	1
2	4050-18-00000	DOUBLE SUPPORT BUFFER RUBBER	1
3	6012-15-00000	SINGLE SUPPORT	1
4	4016-15-00000	SINGLE STRUT STALL	1
5	6016-15-00001	DOUBLE SUPPORT SPRING	1
6	6015-11-00000	SINGLE STRUT SPRING	1
7	B0090010185	DOUBLE SUPPORT SHAFT M10 × 185	1
8	8004-15-00000	NYLON FLAT PAD	1
9	B0250000239	SPLIT PIN WITH A DIAMETER OF 2 × 39	1
10	B0240001025	SINGLE SUPPORT STEP BOLT M10 × 25	1
11	B0180000616G	STAINLESS STEEL HEXAGONAL BOLT M6 × 16	1
12	4049-11-00000	SINGLE-BRACE BUFFER ADHESIVE	1



B-16 CUSHION ASSY RR

NO.	PARTS NO.	PARTS NAME	QTY
1	6023-15-00000	REAR SHOCK ABSORBER L=325MM	2
2	B0110000832	DACROMET BOLT M8 × 32	2
3	B0110001042	DACROMET BOLT M10 × 42	2



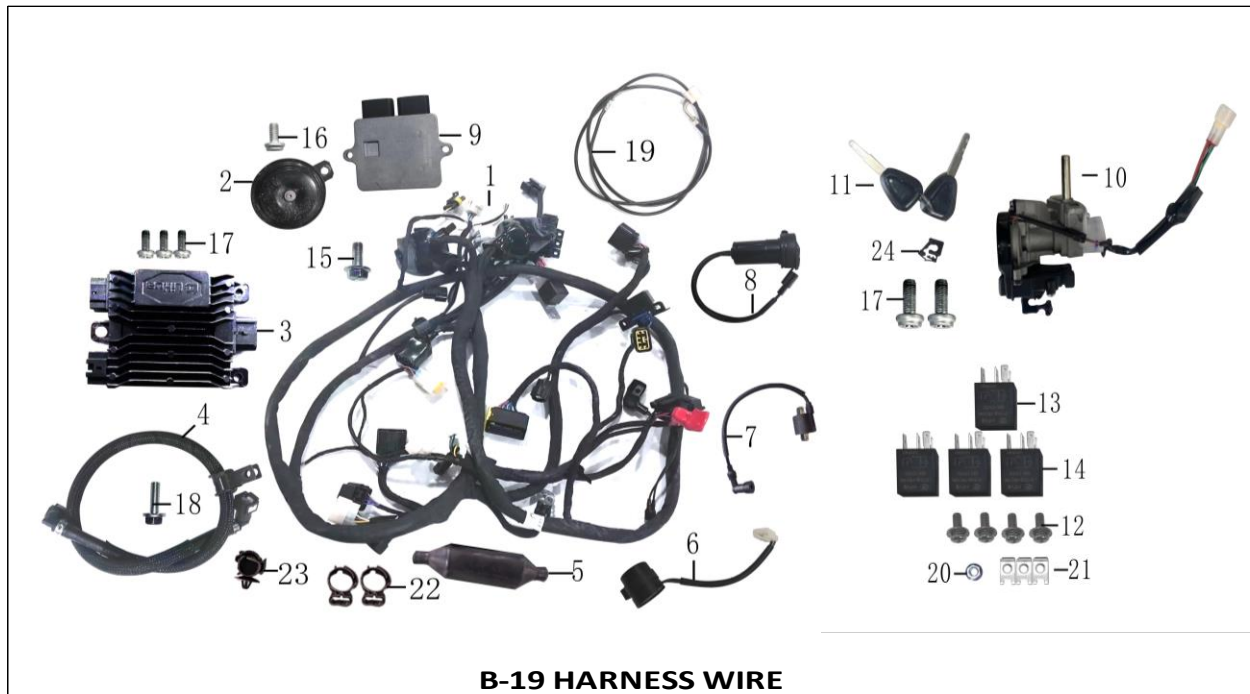
B-17 REAR TAILLIGHT

NO.	PARTS NO.	PARTS NAME	QTY
1	2028-15-00000	REAR LAMP	1
2	2047-15-00000	REAR LICENSE PLATE LIGHT	1
3	B0190000612	DACROMET GASKET BOLT M6 × 12	2
4	B0490000042	DACROMET SPRING CLIP WITH A DIAMETER OF 4.2	2
5	B0500004216	DACROMET BLUNT HEAD SELF TAPPING SCREW ST4.2 × 16	2
6	B0360004816	DACROMET SELF TAPPING SCREW ST4.8 × 16	4
7	B0500004212	DACROMET BLUNT HEAD SELF TAPPING SCREW ST4.2 × 12	9



B-18 ALL FENDER

NO.	PARTS NO.	PARTS NAME	QTY
1	2007-15-00001	FRAME MUDGUARD	1
2	2007-15-00000	FRAME BOTTOM PLATE	1
3	2008-15-00000	LEFT BAR	1
4	2009-15-00000	RIGHT BAR	1
5	2036-15-00000	FRONT WHEEL MUD PLATE	1
6	2036-15-00001	FRONT WHEEL MUD PLATE UPPER COVER	1
7	2049-15-00000	FRONT FENDER TRIM	1
8	2056-15-00001	LEFT REAR TURN SIGNAL	1
9	2056-15-00002	RIGHT REAR TURN SIGNAL	1
10	2004-15-00000	REAR PANEL	1
11	2077-15-00000	LICENSE PLATE LIGHT COVER PLATE	1
12	2023-15-00000	REAR MUDGUARD	1
13	2023-15-00001	REAR WHEEL INNER BAFFLE	1
14	2016-15-00000	REAR WHEEL MUD PLATE	1
15	2029-10-00000	REAR CIRCULAR REFLECTOR	2
16	2030-15-00000	REAR LONG REFLECTOR	1
17	B0500004212	DACROMET BLUNT HEAD SELF TAPPING SCREW ST4.2 × 12	17
18	B0190000612	DACROMET GASKET BOLT M6 × 12	1
19	B0490000042	DACROMET SPRING CLIP WITH A DIAMETER OF 4.2	18
20	B0360004816	DACROMET SELF TAPPING SCREW ST4.8 × 16	22
21	B0110000620	DACROMET BOLT M6 × 20	1
22	B0030000006	HEXAGONAL FLANGE NUT M6	3
23	B0190000616	DACROMET WASHER BOLT M6 × 16	5
24	B0500004216	DACROMET BLUNT HEAD SELF TAPPING SCREW ST4.2 × 16	2



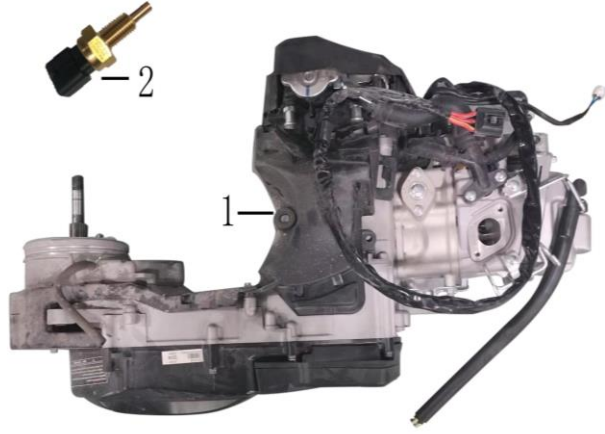
B-19 HARNESS WIRE

NO.	PARTS NO.	PARTS NAME	QTY
1	4014-15-00001	MAIN CABLE	1
2	4020-10-00000	HORN	1
3	4052-15-00001	CONTROLLER	1
4	4037-15-00001	HIGH PRESSURE OIL PIPE	1
5	2081-15-00000	CABLE PACKAGE	1
6	4022-11-00000	FLASHER	1
7	4023-15-00000	IGNITION COIL	1
8	4006-15-00000	USB	1
9	4024-15-00001	ECU	1
	4005-15-00001	SLEEVE LOCK ASSEMBLY	1
10	4005-15-01001	MECHANICAL LOCKS	1
11	4005-15-02001	KEY	2
12	B0530000512	CROSS GROOVE ROUND HEAD GASKET BOLT M5 × 12	4
13	4018-15-00000	START RELAY	1
14	4017-15-00000	POWER RELAY	3
15	B0010000616	HEXAGONAL FLANGE BOLT M6 × 16	1
16	B0110000612	DACROMET BOLT M6 × 12	1
17	B0110000616	DACROMET BOLT M6 × 16	5
18	B0010000620	HEXAGONAL FLANGE BOLT M6 × 20	1
19	4034-15-00000	LOCK WIRE	1
20	B0030000006	HEXAGONAL FLANGE NUT M6	1
21	B0300000005	SPRING CLIP WITH A DIAMETER OF 5	3
22	6020-15-00000	CABLE CLAMP	2
23	6020-15-00001	SMALL CABLE CLAMP	1
24	4005-15-03001	LOCKING SNAPS	1



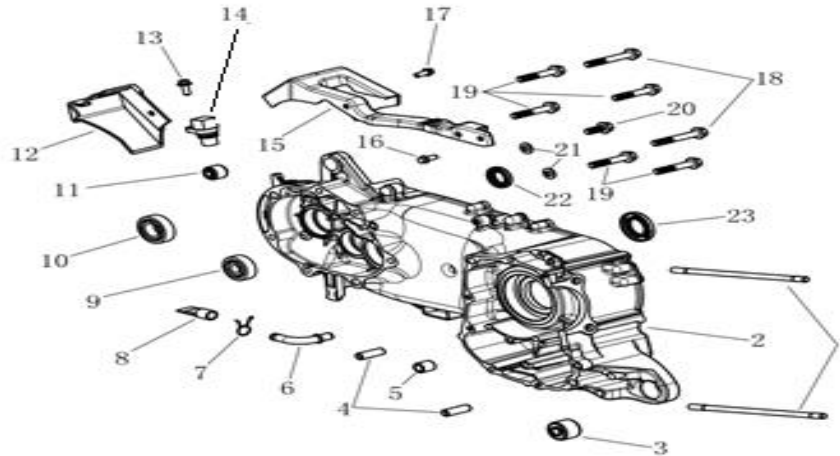
B-20 BODY COMP FRAME

NO.	PARTS NO.	PARTS NAME	QTY
1	6007-15-00000	FRAME	1
2	2324-15-00000	LICENSE PLATE BUFFER RUBBER	1
3	B0110000816	DACROMET BOLT M8 × 16	8
4	B0110000840	DACROMET BOLT M8 × 30	4
5	6013-15-00000	SEAT CUSHION LOCK PLATE	1
6	6067-15-00000	CONTROLLER BRACKET	1
7	6052-15-00000	PANEL BRACKET	1
8	2071-14-00000	RUBBER OVAL SHAPE	1
9	6065-15-00000	ECU BRACKET	1
10	6047-15-00000	FRONT WHEEL MUD PLATE BRACKET	1
11	6009-15-00000	HANGER	1
12	4048-15-00000	HANGER RUBBER	4
13	6044-15-00000	REAR WHEEL MUD PLATE BRACKET	1
14	6054-15-00000	LICENSE PLATE BRACKET	1
15	2031-15-00000	GOODS SHELVES	1
16	6073-15-00000	RIGHT HANDLE	1
17	6072-15-00000	LEFT HANDLE	1
18	6049-15-00001	LEFT FOOT PEDAL	1
19	6049-15-00002	RIGHT FOOT PEDAL	1
20	B0110000612	DACROMET BOLT M6 × 12	6
21	B0110000620	DACROMET BOLT M6 × 20	4
22	B0110000616	DACROMET BOLT M6 × 16	2
23	B0190000612	DACROMET GASKET BOLT M6 × 12	3
24	B0190000616	DACROMET WASHER BOLT M6 × 16	4
25	B0500004216	DACROMET BLUNT HEAD SELF TAPPING SCREW ST4.2 × 16	2
26	B0030000006	HEXAGONAL FLANGE NUT M6	5
27	B0290000618	FLAT GASKET WITH A DIAMETER OF 6 × 18	2
28	B0040000010	HEXAGONAL FLANGE NUT M10 SELF-LOCKING	2
29	B0080010320	HANGER SHAFT M10 × 320	1
30	B0080010235	HANGER SHAFT M10 × 235	1



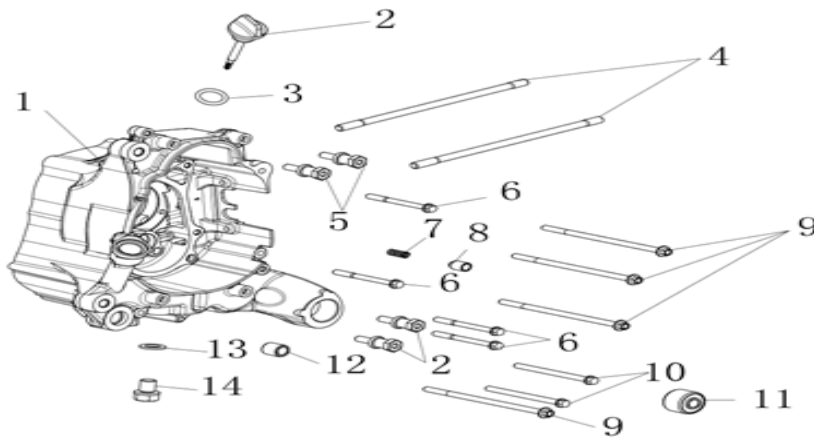
B-21 ENGINE ASSEMBLY

NO.	PARTS NO.	PARTS NAME	QTY
1	8005-15-00001	ENGINE	1
2	4025-15-00000	CYLINDER TEMPERATURE SENSOR	1



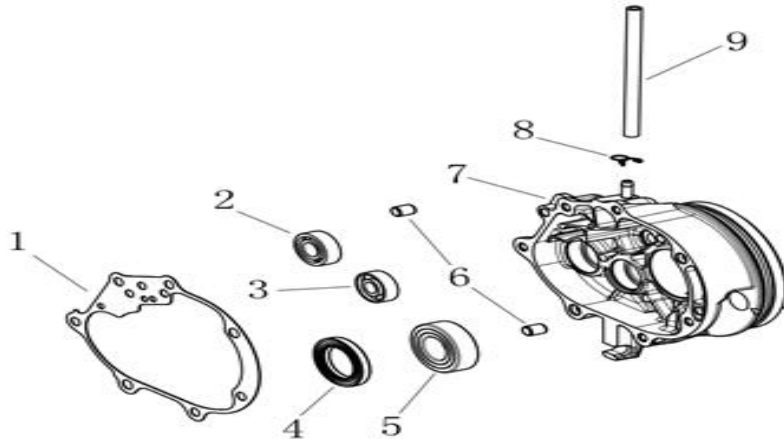
E-1 LEFT CRANKCASE PARTS

NO.	PARTS NO.	PARTS NAME	QTY
1	110240086-0001	BOLT,STUD A	2
2	110030630-0001	BODY SET,LEFT CRANKCASE	1
3	110290008-0001	COLLAR,CUSHION	1
4	380600261-0001	PIN,DOWEL	2
5	380823661-0001	COLLAR	1
6	380780273-0001	JOINT,CONNECTING	1
7	380950498-0001	CLAMP,TUBE	1
8	380760418-0001	TUBE,WATER	1
9	380630614-0001	BEARING	1
10	380630630-0001	BEARING	1
11	110290009-0001	COLLAR,CUSHION	1
12	180920110-0001	PLATE,DECORATIVE	1
13	380140002-0006	BOLT,HEXAGON FLANGE	1
14	381000486-0001	STOPPER	1
15	180920104-0001	PLATE,DECORATIVE	1
16	380140129-0003	BOLT,HEXAGON FLANGE	1
17	380140129-0003	BOLT,HEXAGON FLANGE	1
18	380140315-0002	BOLT,HEXAGON FLANGE	2
19	380140738-0001	BOLT,HEXAGON FLANGE	5
20	380140573-0002	BOLT,HEXAGON FLANGE	1
21	380450305-0001	WASHER,PLAIN	2
22	380650210-0001	OIL SEAL	1
23	380650758-0001	OIL SEAL	1



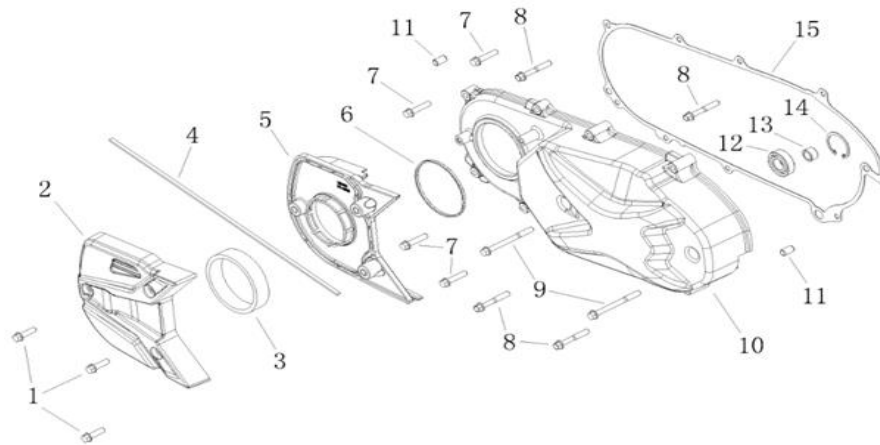
E-2 RIGHT CRANKCASE PARTS

1	110080381-0001	BODY SET,RIGHT CRANKCASE	1
2	110700169-0001	GAUGE COMP.,OIL LEVEL	1
3	380840006-0001	RING,SEAL	1
4	110250057-0001	BOLT,STUD B	2
5	141360003-0001	BOLT,LOCATING POST	4
6	380140057-0005	BOLT,HEXAGON FLANGE	4
7	381150685-0001	SPRING,COMPRESSION	1
8	110350006-0001	PRESSING PIN COMP.	1
9	380140394-0003	BOLT,HEXAGON FLANGE	4
10	380140059-0005	BOLT,HEXAGON FLANGE	2
11	110290008-0001	COLLAR,CUSHION	1
12	380823661-0001	COLLAR	1
13	380450018-0003	WASHER,PLAIN	1
14	110260069-0001	SCREW PLUG,SEAL	1



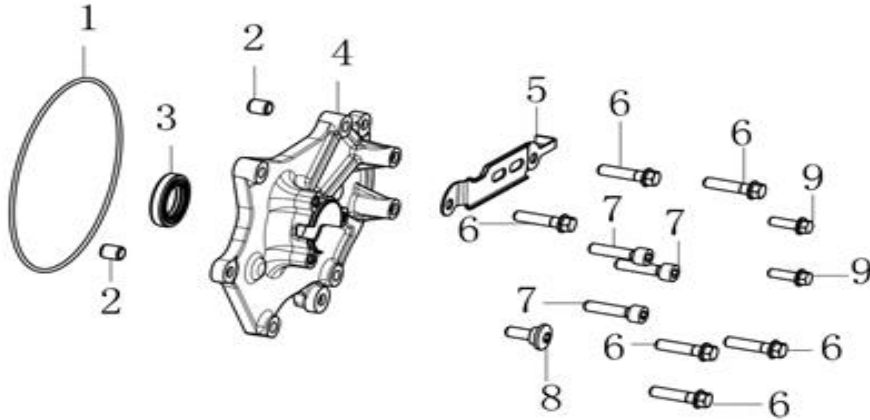
E-3 GEARBOX COMPONENTS

1	110200021-0001	GASKET, TRANSMISSION CASE	1
2	380630543-0001	BEARING	1
3	380630578-0001	BEARING	1
4	380650307-0001	OIL SEAL	1
5	380630664-0001	BEARING	1
6	380600060-0001	PIN, DOWEL	2
7	110180038-0001	BODY SET, TRANSMISSION CASE	1
8	380950497-0001	CLAMP, TUBE	1
9	380740179-0001	TUBE, BREATHER	1



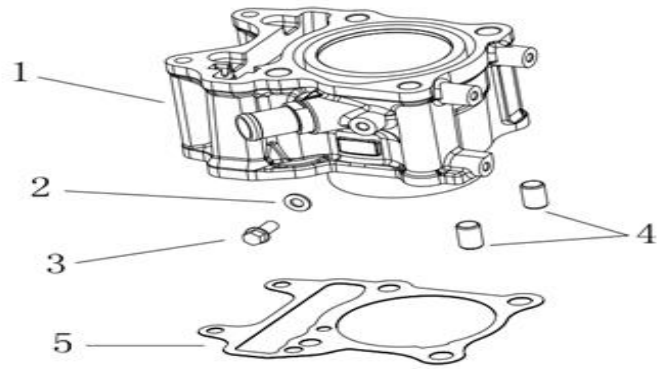
E-4 LEFT CRANKCASE COVER COMPONENT

1	380140021-0003	BOLT,HEXAGON FLANGE	3
2	111070004-0001	COVER,BREATHER GROOVE OUTSIDE	1
3	111080003-0001	STRAINER,BREATHER GROOVE	1
4	662480007-0001	SEAL STRIP	1
5	111060004-0001	COVER,BREATHER GROOVE INSIDE	1
6	380841339-0001	RING,SEAL	1
7	380140017-0004	BOLT,HEXAGON FLANGE	4
8	380140019-0004	BOLT,HEXAGON FLANGE	4
9	380140057-0003	BOLT,HEXAGON FLANGE	2
10	110380210-0015	COVER COMP.,LEFT CRANKCASE	1
11	380600002-0001	PIN,DOWEL	2
12	380630617-0001	BEARING	1
13	380823681-0001	COLLAR	1
14	380550100-0001	CHECK RING,ELASTIC	1
15	110390035-0001	GASKET,LEFT CRANKCASE COVER	1



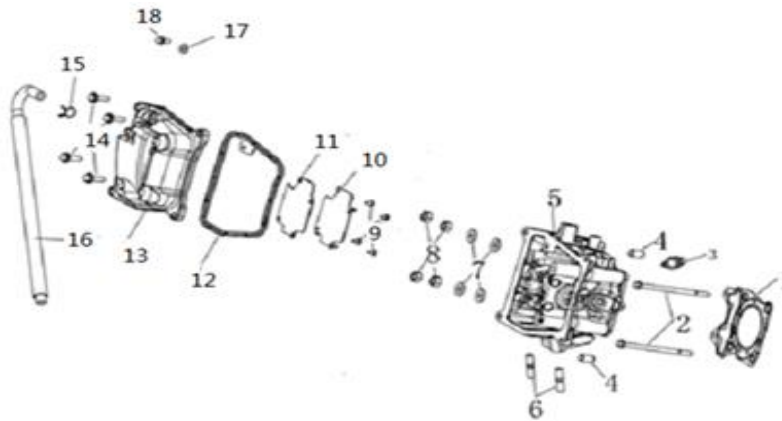
E-5 RIGHT CRANKCASE COVER COMPONENT

1	380841182-0001	RING,SEAL	1
2	380600057-0001	PIN,DOWEL	2
3	380650887-0001	OIL SEAL	1
4	110600862-0001	COVER COMP.,RIGHT CRANKCASE	1
5	110480050-0001	DISC,TENSION	1
6	380140016-0005	BOLT,HEXAGON FLANGE	6
7	380190159-0003	SCREW,HEXAGON SOCKET	3
8	380120026-0001	BOLT,HEXAGON SOCKET RAISED FACE CHEESE HEAD WITH SHOULDER	1
9	380140047-0004	BOLT,HEXAGON FLANGE	2



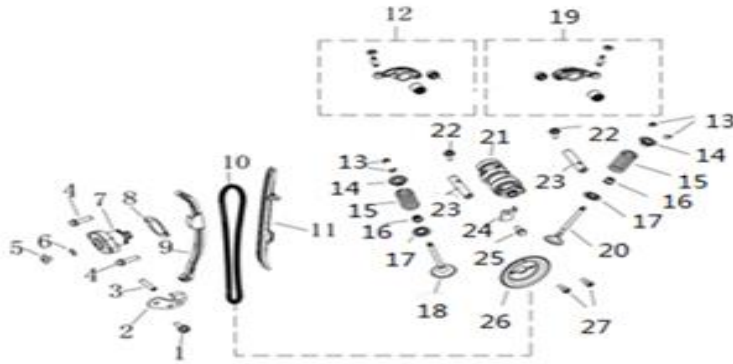
E-6 CYLINDER BLOCK PARTS

1	120020373-0001	BODY SET,CYLINDER	1
2	380450391-0001	WASHER,PLAIN	1
3	380140129-0003	BOLT,HEXAGON FLANGE	1
4	380600006-0001	PIN,DOWEL	2
5	120050115-0001	GASKET,CYLINDER	1



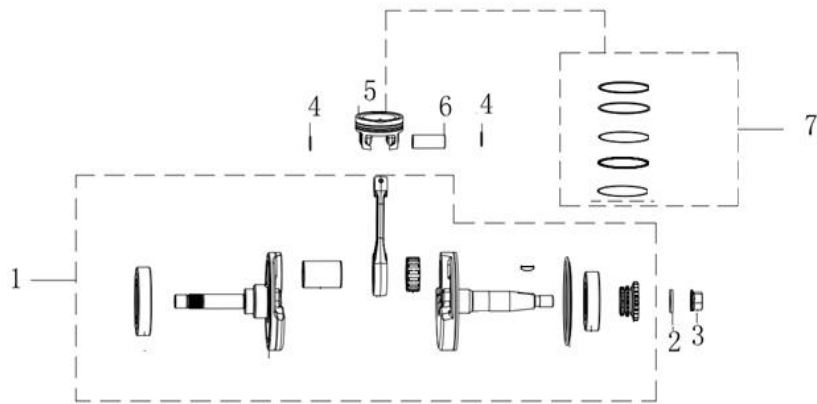
E-7 CYLINDER HEAD COMPONENTS

1	120150259-0001	GASKET,CYLINDER HEAD	1
2	380140012-0006	BOLT,HEXAGON FLANGE	2
3	270960060-0001	PLUG,SPARK	1
4	380600006-0001	PIN,DOWEL	2
5	120080859-0001	HEAD COMP.,CYLINDER	1
6	380180006-0003	STUD	2
7	380450052-0001	WASHER,PLAIN	4
8	380340005-0005	NUT,HEXAGON HEAD	4
9	380310104-0001	SCREW,CROSS RECESSED PAN SELF-TAPPING	4
10	120520013-0001	PLATE,OIL SEPARATING	1
11	120660008-0001	GASKET,OIL SEPARATING PLATE	1
12	380841303-0001	RING,SEAL	1
13	120230204-0001	COVER COMP.,CYLINDER HEAD	1
14	380140021-0006	BOLT,HEXAGON FLANGE	4
15	380950530-0001	CLAMP,TUBE	1
16	110270044-0001	TUBE ASSY.,BREATHER	1
17	380450053-0001	WASHER,PLAIN	1
18	380770334-0001	TUBE,SHEATH	1
19	380140026-0006	BOLT,HEXAGON FLANGE	1



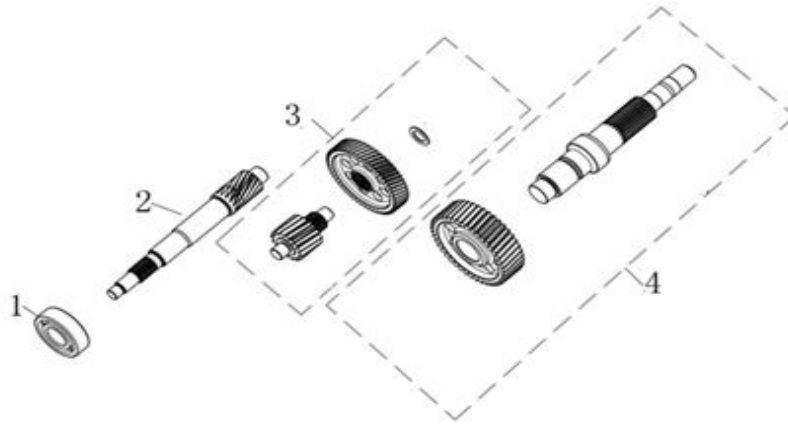
E-8 VALVE MECHANISM

1	380140002-0006	BOLT,HEXAGON FLANGE	1
2	140660010-0001	PLATE,TIMING CHAIN LIMIT	1
3	380600260-0001	PIN,DOWEL	1
4	380140021-0006	BOLT,HEXAGON FLANGE	2
5	141370008-0001	BOLT,TENSIONER	1
6	380841008-0001	RING,SEAL	1
7	140750048-0001	TENSIONER ASSY.,CAM CHAIN	1
8	140830008-0001	GASKET,CAM CHAIN TENSIONER	1
9	140910020-0001	PLATE,TENSION	1
10	140610018-0001	CHAIN,TIMING	1
11	141000047-0001	GUIDE PLATE,CHAIN	1
12	140450089-0001	ARM ASSY.,VALVE ROCKER	1
13	140390030-0001	COTTER,VALVE	4
14	140380058-0001	RETAINER,VALVE SPRING	2
15	140350037-0001	SPRING,VALVE(OUTER)	2
16	140400002-0001	SHIELD,OIL	2
17	140360017-0001	SEAT,VALVE SPRING INNER	2
18	140300114-0001	VALVE,INLET	1
19	140450090-0001	ARM ASSY.,VALVE ROCKER	1
20	140310115-0001	VALVE,EXHAUST	1
21	140020296-0001	CAMSHAFT ASSY.	1
22	380140167-0002	BOLT,HEXAGON FLANGE	2
23	140510072-0001	SHAFT,VALVE ROCKER ARM	2
24	140170011-0001	PLATE,CAMSHAFT CORE PRESSURE	1
25	380140026-0006	BOLT,HEXAGON FLANGE	1
26	140580060-0001	SPROCKET,TIMING DRIVEN	1
27	380190037-0006	SCREW,HEXAGON SOCKET	2



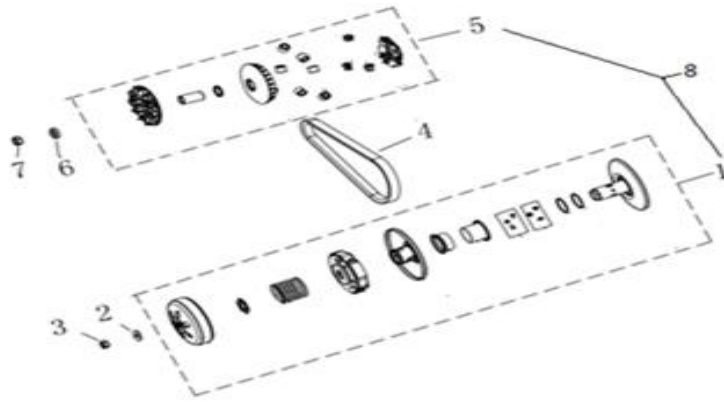
E-9 CRANK CONNECTING ROD ASSEMBLY

1	130140286-0002	CRANKSHAFT COMP.	1
2	380450259-0001	WASHER,PLAIN	1
3	380370005-0001	NUT,HEXAGON FLANGE	1
4	380560021-0001	CHECK RING,STEEL CABLE BAFFLE	2
5	130030312-0001	PISTON COMP.	1
6	130060099-0001	PIN,PISTON	1
7	130070288-0001	RING SET,PISTON	1



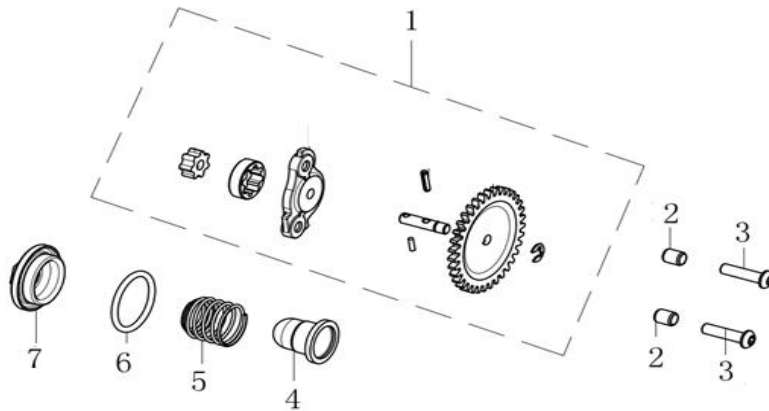
E-10 TRANSMISSION COMPONENTS

1	380630541-0001	BEARING	1
2	193020021-0001	MAINSHAFT, TRANSMISSION	1
3	193030025-0001	COUNTERSHAFT ASSY., TRANSMISSION	1
4	195050015-0001	OUTPUT SHAFT COMP.	1



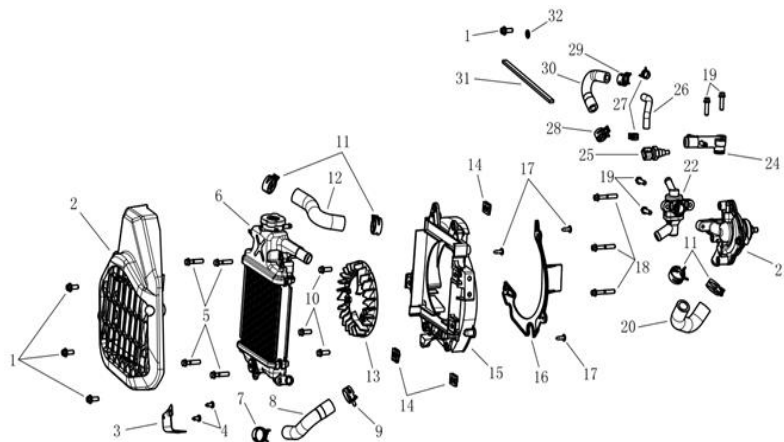
E-11 BELT DRIVE ASSEMBLY

1	192890036-0001	BELT PULLEY COMP.,DRIVEN	1
2	380450399-0001	WASHER,PLAIN	1
3	380340232-0001	NUT,HEXAGON HEAD	1
4	193000049-0001	BELT	1
5	192810037-0001	BELT PULLEY ASSY.,DRIVING	1
6	380824116-0001	COLLAR	1
7	380340231-0001	NUT,HEXAGON HEAD	1
8	500280428-0001	CLUTCH KIT	1



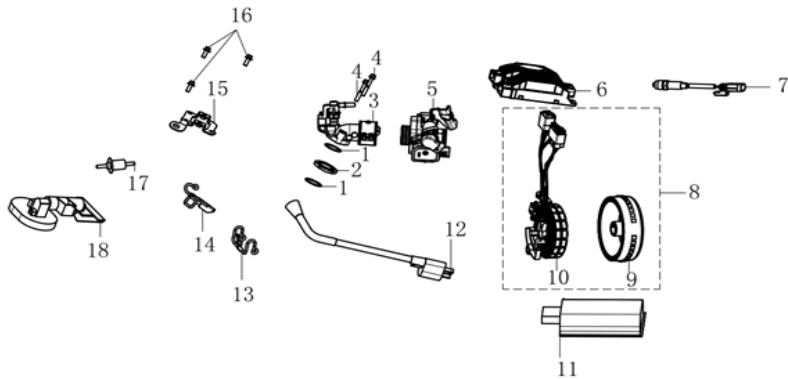
E-12 LUBRICATION MECHANISM

1	150010124-0001	PUMP ASSY.,OIL	1
2	380600057-0001	PIN,DOWEL	2
3	380190113-0003	SCREW,HEXAGON SOCKET	2
4	150290001-0001	SCREEN,OIL STRAINER	1
5	381150252-0001	SPRING,COMPRESSION	1
6	380840132-0001	RING,SEAL	1
7	120280003-0008	CAP,TAPPET ADJUSTING HOLE	1



E-13 COOLING SYSTEM

1	380140002-0006	BOLT,HEXAGON FLANGE	4
2	160830004-0001	SHIELD,RADIATOR	1
3	160920007-0001	SUPPORTER OF COOLING WATER TUBE	1
4	380310105-0001	SCREW,CROSS RECESSED PAN SELF-TAPPING	2
5	380140143-0002	BOLT,HEXAGON FLANGE	4
6	160010128-0001	RADIATOR COMP.	1
7	380950484-0001	CLAMP,TUBE	1
8	380760415-0001	TUBE,WATER	1
9	380950485-0001	CLAMP,TUBE	1
10	380140023-0002	BOLT,HEXAGON FLANGE	3
11	380950488-0001	CLAMP,TUBE	4
12	380760416-0001	TUBE,WATER	1
13	160750014-0001	FAN	1
14	380420073-0001	NUT,CLIP	3
15	431840012-0001	BRACKET, RADIATOR	1
16	161190002-0001	LOWER BRACKET OF HEAT RADIATOR	1
17	380310006-0002	SCREW,CROSS RECESSED PAN SELF-TAPPING	3
18	380140019-0006	BOLT,HEXAGON FLANGE	3
19	380140021-0006	BOLT,HEXAGON FLANGE	4
20	380760417-0001	TUBE,WATER	1
21	160400031-0001	PUMP,COOLING	1
22	160110056-0001	THERMOSTAT COMP.	1
24	170730075-0001	Y-JOINT	1
25	270790014-0001	SENSOR,ENGINE	1
26	380760413-0001	TUBE,WATER	1
27	380950482-0001	CLAMP,TUBE	2
28	380950483-0001	CLAMP,TUBE	1
29	380950487-0001	CLAMP,TUBE	1
30	380760414-0001	TUBE,WATER	1
31	662480006-0001	SEAL STRIP	1
32	380450142-0001	WASHER,PLAIN	1



E-14 EFI ACCESSORIES

1	380841336-0001	RING,SEAL	2
2	181600075-0001	INSULATION BLANKET	1
4	380140019-0006	BOLT,HEXAGON FLANGE	2
6	423000177-0001	CONTROLLER	1
8	270010514-0001	GENERATOR ASSY.	1
9	270020638-0001	ROTOR COMP.	1
10	270100259-0002	STATOR COMP.	1
13	301760003-0001	BRACE,EXHAUST PIPE	1
14	301760004-0001	BRACE,EXHAUST PIPE	1
15	270970032-0001	BRACKET,IGNITION COIL	1