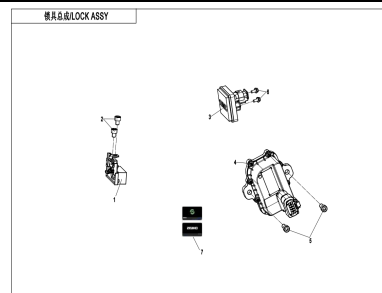
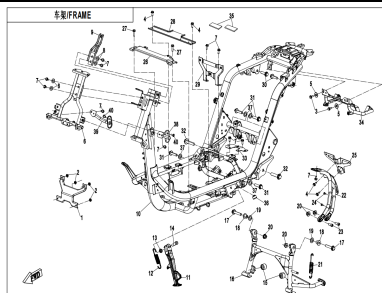
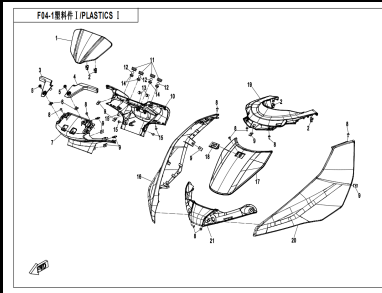
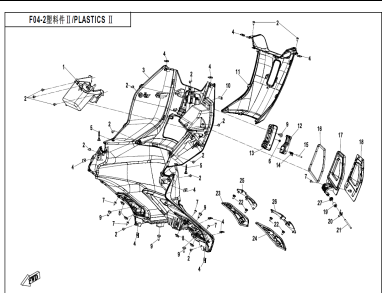
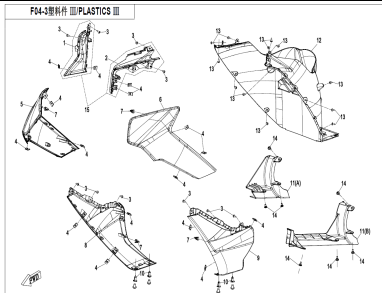
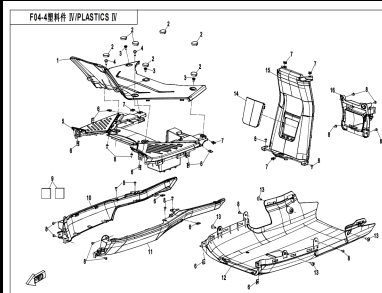
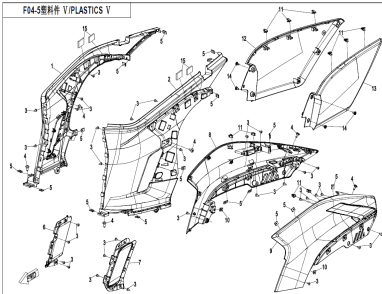
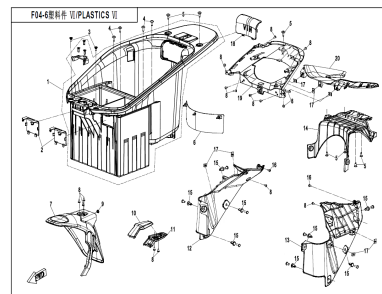
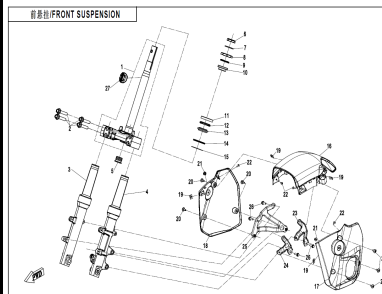
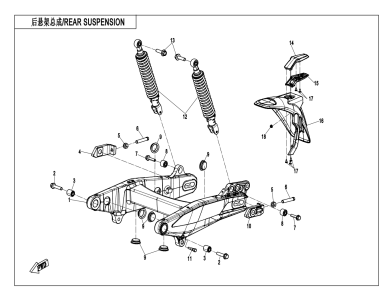
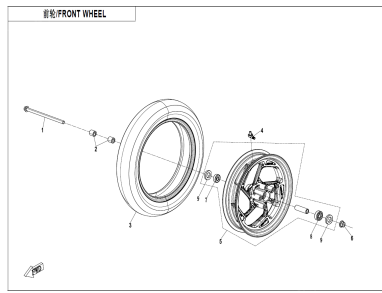
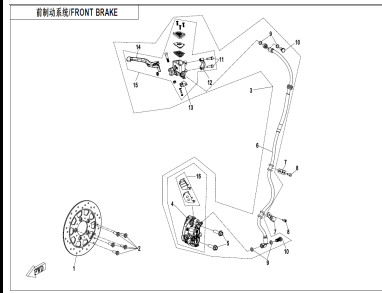


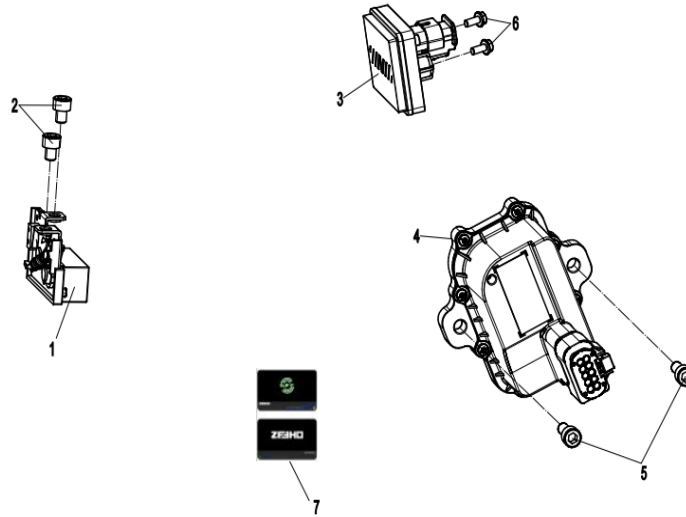
CONTENTS—FRAME GROUP

<p>F01</p> <p style="text-align: center;">LOCK ASSY</p> 	<p>F03</p> <p style="text-align: center;">FRAME</p> 	<p>F04-1</p> <p style="text-align: center;">PLASTICS I</p> 
<p>F04-2</p> <p style="text-align: center;">PLASTICS II</p> 	<p>F04-3</p> <p style="text-align: center;">PLASTICS III</p> 	<p>F04-4</p> <p style="text-align: center;">PLASTICS IV</p> 
<p>F04-5</p> <p style="text-align: center;">PLASTICS V</p> 	<p>F04-6</p> <p style="text-align: center;">PLASTICS VI</p> 	<p>F05</p> <p style="text-align: center;">FRONT SUSPENSION</p> 
<p>F06</p> <p style="text-align: center;">REAR SUSPENSION</p> 	<p>F07</p> <p style="text-align: center;">FRONT WHEEL</p> 	<p>F08</p> <p style="text-align: center;">HYDRAULIC BRAKE ASSY</p> 

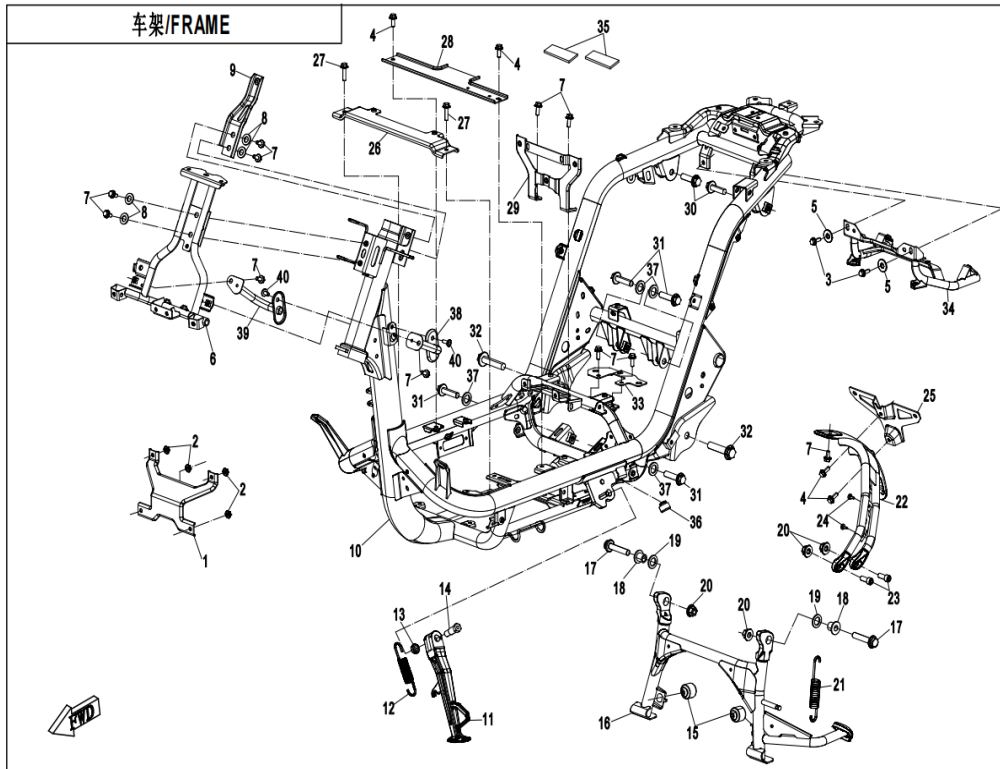
CONTENTS—FRAME GROUP

<p>F09</p> <p>REAR BRAKE SYSTEM</p> <p>后轮电液系统/REAR BRAKE SYSTEM</p>	<p>F10</p> <p>STEERING SYSTEM</p> <p>转向系统/STEERING SYSTEM</p>	<p>F11</p> <p>REAR WHEEL</p> <p>后轮/REAR WHEEL</p>
<p>F13</p> <p>SEAT ASSY</p> <p>座椅总成/SEAT ASSY</p>	<p>F14</p> <p>PEDAL&ARMREST</p> <p>脚踏板扶手/PEAL&ARMREST</p>	<p>F15</p> <p>ELECTRIC SYSTEM</p> <p>电液系统/ELECTRIC SYSTEM</p>
<p>F16</p> <p>LIGHT</p> <p>灯具/LIGHT</p>	<p>F17</p> <p>DASHBOARD</p> <p>仪表盘/DASHBOARD</p>	<p>F18</p> <p>COOLING SYSTEM ASSY</p> <p>水冷系统/COOLING SYSTEM ASSY</p>
<p>F19-1</p> <p>DECAL</p>	<p>F19-2</p> <p>LICENCE PLATE</p>	<p>F19-3-A</p> <p>DECAL</p> <p>ZH5000DT 个性贴花总成</p> <p>贴花颜色: FAB0-1501100-1000-11 个性贴花总成</p>

锁具总成/LOCK ASSY

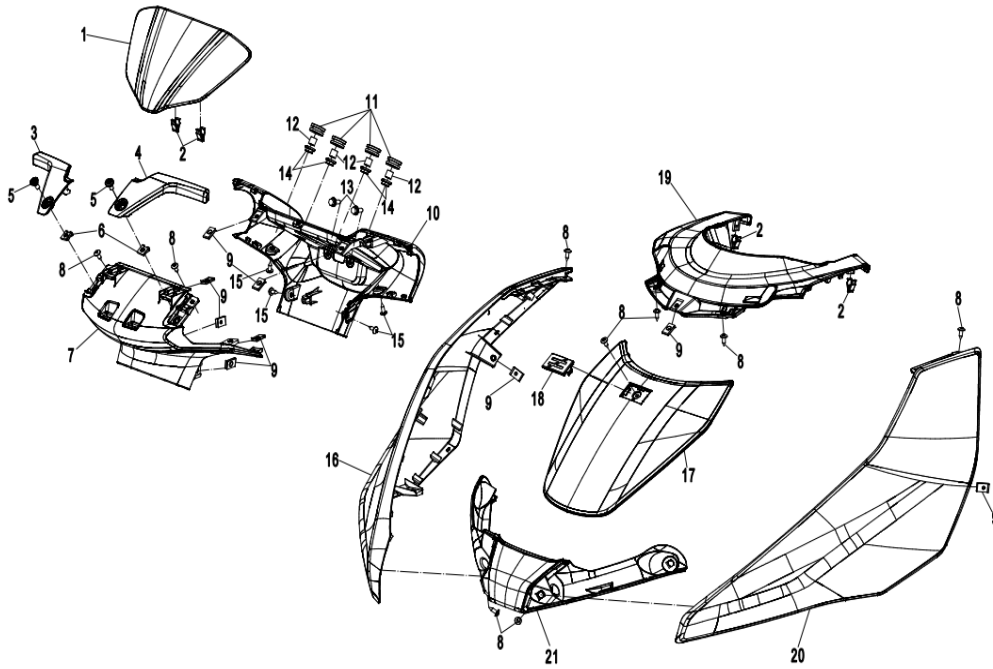


Item No.	Parts Number	Parts Name(EN)	Qty	Specification
1	EAEV-010130-1000-M1	SEAT ELECTRONIC LOCK	1	
1	FA8V-0101A0-1000	LOCK, SEAT	1	
2	6WWV-046702-5000	INNER HEX SCREW M6x12	2	
3	FA7V-010220-1000	NFC READER	1	
4	FA7V-010110-1000	ELECTRONIC STEM LOCK	1	
5	30102-060020810	SCREW M6x20	2	M6x20
6	30006-050012810	BOLT M5x12	2	M5x12
7	FA7V-010230-1001	NFC CARD	1	



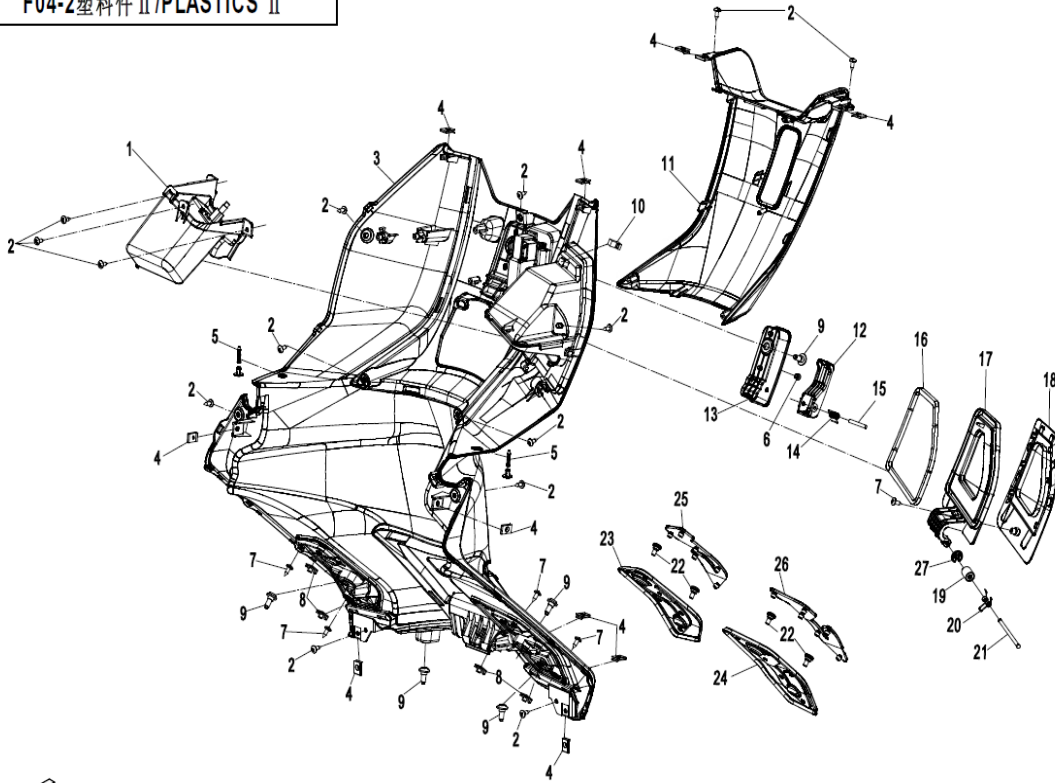
Item No.	Parts Number	Parts Name(EN)	Qty	Specification
1	FA7V-030001-1000	BRACKET, HIGH/LOW BEAM	1	
2	30204-060810	NUT M6	4	M6
3	6WVV-046702-5000	INNER HEX SCREW M6x12	2	
4	30006-060016870	BOLT M6x16	4	M6x16
5	30301-060412	WASHER	2	6
6	FA7V-035000-1001	BRACKET, HEADLIGHT	1	ELECTROPHORESIS BLACK
7	30006-060012870	BOLT M6x12	11	M6x12
8	30306-100112	WASHER	4	10
9	FA7V-030040-1000	BRACKET, STORAGE HOOK	1	
10	FA7V-031000-1002	FRAME	1	
11	FA7V-037000-1000	SIDE BRACKET	1	
12	6090-030006	SPRING, SIDE STAND	1	
13	30208-102010	NUT M10x1.25	1	M10x1.25
14	A000-030006	BOLT, SIDE STAND	1	
15	A000-120001	RUBBER SUPPORT	2	
16	FA7V-033000-1000-0BP00	MIDDLE SUPPORTER	1	MAUD SPIRIT BLACK
17	30006-102055870	BOLT M10x1.25x55	2	M10x1.25x55
18	FA7V-030005-1000	T-BUSHING	2	
19	FA7V-030006-1000	LIMIT RETAINER	1	
20	30218-102170	HEX FLANGE NUT	4	
21	FA7V-030004-1000	MAIN SUPPORTER SPRING	1	
22	FA7V-034000-1000-0BP00	FENDER SEAT	1	MAUD SPIRIT BLACK
23	30102-102030870	INNER HEX SCREW	2	
24	30110-481130010	SELF-TAPPING SCREW ST4.8x13	2	ST4.8x13
25	FA7V-030020-1000-0BP00	BRACKET, REAR LICENSE	1	MAUD SPIRIT BLACK
26	FA7V-030030-1001	UPPER PRESS PLATE, RADIATOR	1	
27	30006-060025810	BOLT	2	M6x25
28	FA7V-030003-1000	BRACKET, FOOTREST	1	
29	FA7V-030010-1000	BRACKET, WIRE BOX	1	
29	FA7V-030010-1001	BRACKET, WIRE BOX	1	
30	30006-102040810	BOLT M10x1.25x40	2	M10x1.25x40
31	30006-102035810	BOLT M10x1.25x35	4	M10x1.25x35
32	0800-014005-00002	BOLT	2	
33	FA7V-030009-1000	BRACKET, SIGNAL WIRE	1	
33	FA7V-030009-1001	BRACKET, SIGNAL WIRE	1	
34	FA7V-036000-1000	BRACKET, REAR PLASTIC PARTS	1	ELECTROPHORESIS BLACK
35	9010-120008	SPONGE PAD, FUEL TANK	2	
36	9030-220006	CUSHION, CARGO BOX	1	
37	30303-100112	WASHER	4	
38	FA7V-030070-1000	LH BRACKET, HEADLIGHT	1	
39	FA7V-030080-1000	LH BRACKET, HEADLIGHT	1	
40	6KM#-040702-8000	INNER HEX SCREW M6x12	2	

F04-1塑料件 I /PLASTICS I



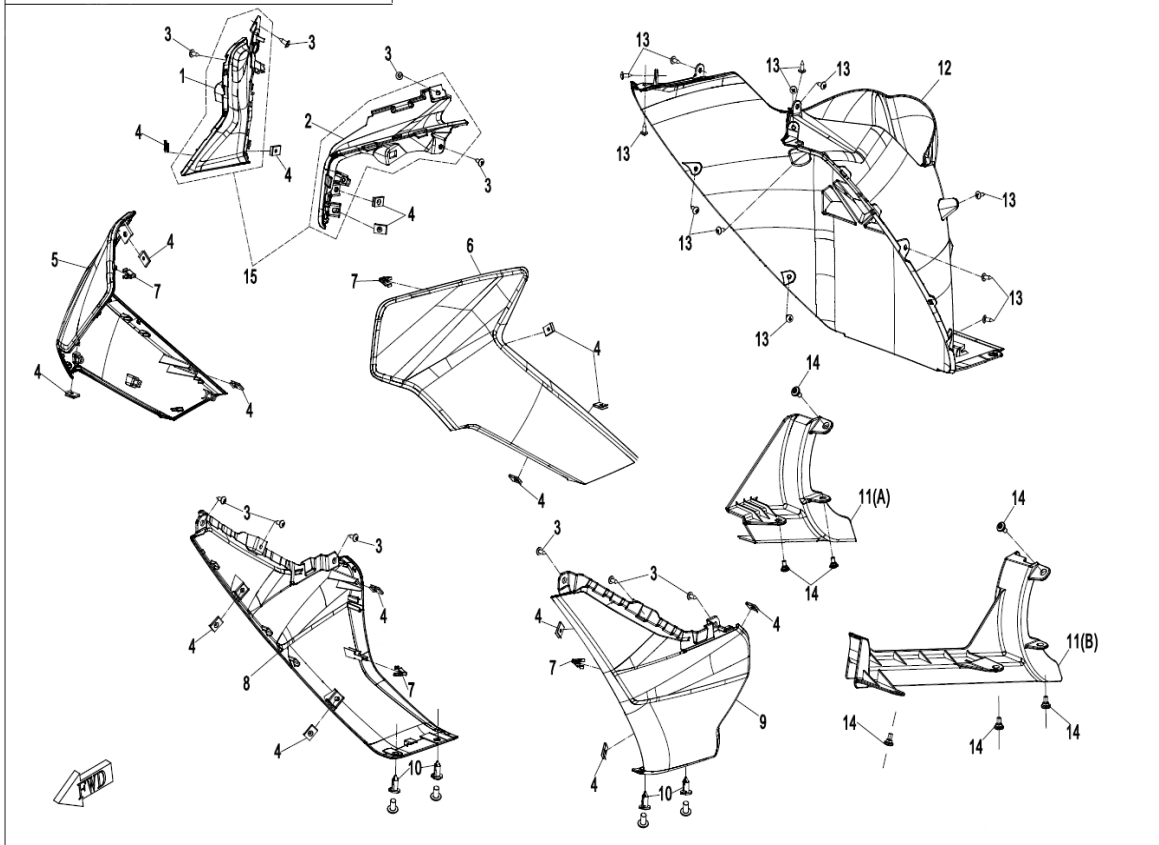
Item No.	Parts Number	Parts Name(EN)	Qty	Specification
1	FA7V-100501-1000	VISOR, DASHBOARD	1	
1	FA7V-100501-1001-0BM00	VISOR, DASHBOARD	1	NEBULA BLACK
2	8080-000001	CLASP	4	
3	FA7V-100504-1000-0D000	RH GUARD, STEM	1	ZIRCON BLACK
3	FA7V-100504-1000-0VE00	RH GUARD, STEM	1	NEBULA WHITE
3	FA7V-100504-1001-0D000	RH GUARD, STEM	1	ZIRCON BLACK
3	FA7V-100504-1001-0VE00	RH GUARD, STEM	1	NEBULA WHITE
4	FA7V-100503-1000-0D000	LH GUARD, STEM	1	ZIRCON BLACK
4	FA7V-100503-1000-0VE00	LH GUARD, STEM	1	NEBULA WHITE
4	FA7V-100503-1001-0D000	LH GUARD, STEM	1	ZIRCON BLACK
4	FA7V-100503-1001-0VE00	LH GUARD, STEM	1	NEBULA WHITE
5	6WWV-047102-5000	INNER HEX SCREW M5x14	2	
6	6KM#-040081-8000-M1	NUT CLIP M5	2	
7	FA7V-100502-1000-0BM00	FRONT GUARD, STEM	1	NEBULA BLACK
7	FA7V-100502-1001-0BM00	FRONT GUARD, STEM	1	NEBULA BLACK
7	FA7V-100502-1002-0BM00	FRONT GUARD, STEM	1	NEBULA BLACK
8	30110-421130010	SELF-TAPPING SCREW ST4.2x13	9	ST4.2x13
9	8010-000002	CLAMP ST4.2	9	ST4.2
10	FA7V-100505-1001-0BM00	REAR GUARD, STEM	1	NEBULA BLACK
11	6090-040302	RUBBER DAMPER	4	
12	6090-040303	BUSHING	4	
13	30006-050012870	BOLT	2	
14	30204-060810	NUT M6	4	M6
15	30110-420130070	SELF-TAPPING SCREW ST4.2x13-C-H	4	ST4.2x13-C-H
16	FA7V-041012-1002-0VE00	FRONT RH DEFLECTOR	1	NEBULA WHITE
16	FA7V-041012-1002-0D000	FRONT RH DEFLECTOR	1	ZIRCON BLACK
17	FA7V-041041-1000	DECO PART, HEADLIGHT	1	
17	FA7V-041041-1001-0BM00	DECO PART, HEADLIGHT	1	NEBULA BLACK
18	FA7V-041042-1000	HEADLIGHT DECO PART TRADEMARK	1	
19	FA7V-041043-1001	UPPER DECO PART, HEADLIGHT	1	
20	FA7V-041011-1002-0VE00	FRONT LH DEFLECTOR	1	NEBULA WHITE
20	FA7V-041011-1002-0D000	FRONT LH DEFLECTOR	1	ZIRCON BLACK
21	FA7V-041031-1000-0BU00	LOWER GUARD, HEADLIGHT	1	MIST SILVER BLACK

F04-2塑料件 II / PLASTICS II



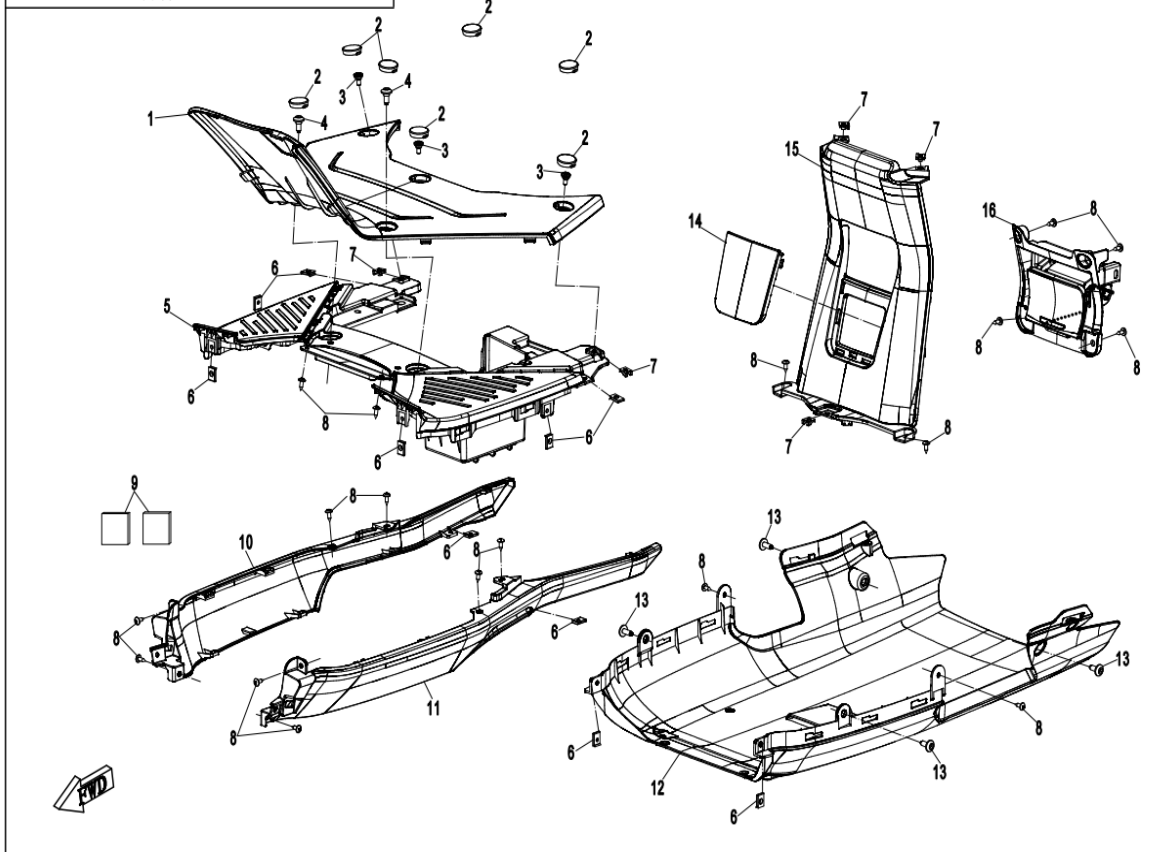
Item No.	Parts Number	Parts Name(EN)	Qty	Specification
1	FA7V-042031-1000	STORAGE BOX, FOOT GUARD	1	
2	30110-421130010	SELF-TAPPING SCREW ST4.2x13	14	ST4.2x13
3	FA7V-042011-1001	FOOT GUARD	1	
3	FA7V-042011-1002	FOOT GUARD	1	
4	8010-000002	CLAMP ST4.2	10	ST4.2
5	8080-041130	PLASTIC SCREW	2	
6	FA7V-042083-1000	RUBBER, HELMET HOOK	1	
7	30110-420130070	SELF-TAPPING SCREW ST4.2x13-C-H	5	ST4.2x13-C-H
8	6KM#-040081-8000-M1	NUT CLIP M5	4	
9	6WVV-046602-5000	INNER HEX STEPPED SCREW M6x14	5	
10	EAEV-042016-1000	BUCKLE	1	
11	FA7V-042012-1001	DECO PLATE, FOOT GUARD	1	
12	FA7V-042081-1001	HELMET HOOK	1	
13	FA7V-042082-1000	HELMET HOOK SEAT	1	
14	FA7V-043704-1000	HOOK SPRING	1	
15	FA7V-043703-1000	HOOK HINGE SHAFT	1	
16	FA7V-042035-1001	SEAL GASKET, STORAGE BOX	1	
17	FA7V-042033-1000	LINER, STORAGE BOX PRESS PLATE	1	
18	FA7V-042032-1000	STORAGE BOX PRESS PLATE	1	
19	EAEV-042017-1000	DAMPER	1	
20	FA7V-044603-1000	UPPER STORAGE BOX SPRING, FOOT GUARD	1	
21	FA7V-044602-1000	HINGE SHAFT, FOOT GUARD STORAGE BOX	1	
22	6WVV-047102-5000	INNER HEX SCREW M5x14	4	
23	FA7V-042043-1000	RH PEDAL	1	
24	FA7V-042042-1000	LH PEDAL	1	
25	FA7V-042045-1000	RH PEDAL RUBBER	1	
26	FA7V-042044-1000	LH PEDAL RUBBER	1	
27	30802-00303	COTTER CIRCLIP 3	1	

F04-3塑料件 III/PLASTICS III



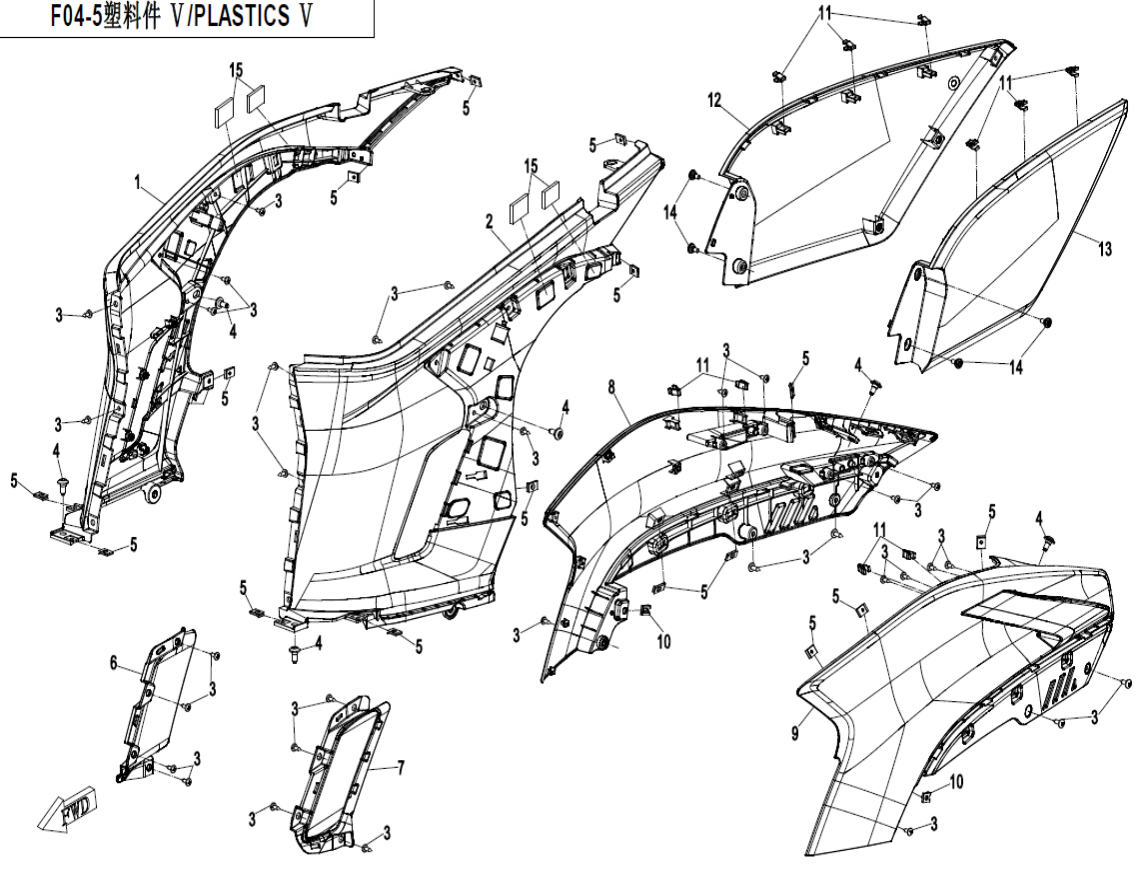
Item No.	Parts Number	Parts Name(EN)	Qty	Specification
1	FA7V-041033-1000	RH DECO PART, HIGH-BEAM HEADLIGHT	1	
2	FA7V-041032-1000	LH DECO PART, HIGH-BEAM HEADLIGHT	1	
3	30110-421130010	SELF-TAPPING SCREW ST4.2x13	10	ST4.2x13
4	8010-000002	CLAMP ST4.2	16	ST4.2
5	FA7V-041023-1001-0VE00	FRONT RH LOWER PANEL	1	NEBULA WHITE
5	FA7V-041023-1001-0D000	FRONT RH LOWER PANEL	1	ZIRCON BLACK
5	FA7V-041023-1002-0VE00	FRONT RH LOWER PANEL	1	NEBULA WHITE
5	FA7V-041023-1002-0D000	FRONT RH LOWER PANEL	1	ZIRCON BLACK
6	FA7V-041022-1001-0D000	FRONT LH LOWER PANEL	1	ZIRCON BLACK
6	FA7V-041022-1001-0VE00	FRONT LH LOWER PANEL	1	NEBULA WHITE
6	FA7V-041022-1002-0VE00	FRONT LH LOWER PANEL	1	NEBULA WHITE
6	FA7V-041022-1002-0D000	FRONT LH LOWER PANEL	1	ZIRCON BLACK
7	8080-000001	CLASP	4	
8	FA7V-041025-1001	FRONT RH LOWER PANEL, UPPER PART	1	
9	FA7V-041024-1001	FRONT RH LOWER PANEL, LOWER PART	1	
10	9060-040310	PLASTIC CLIPS	4	
11(A)	FA7V-043055-1000	SYNC BELT GUARD	1	
11(B)	FA7V-043054-1000	SYNC BELT GUARD, LONG	1	
12	FA7V-041021-1000	FENDER, FRONT PANEL	1	
13	30110-420130070	SELF-TAPPING SCREW ST4.2x13-C-H	12	ST4.2x13-C-H
14	6WWWV-046502-5000	STEPPED SCREW M5	3	
15	FA7V-0410A0-1000	DECO PART, HIGH-BEAM HEADLIGHT	1	

F04-4塑料件 IV/PLASTICS IV



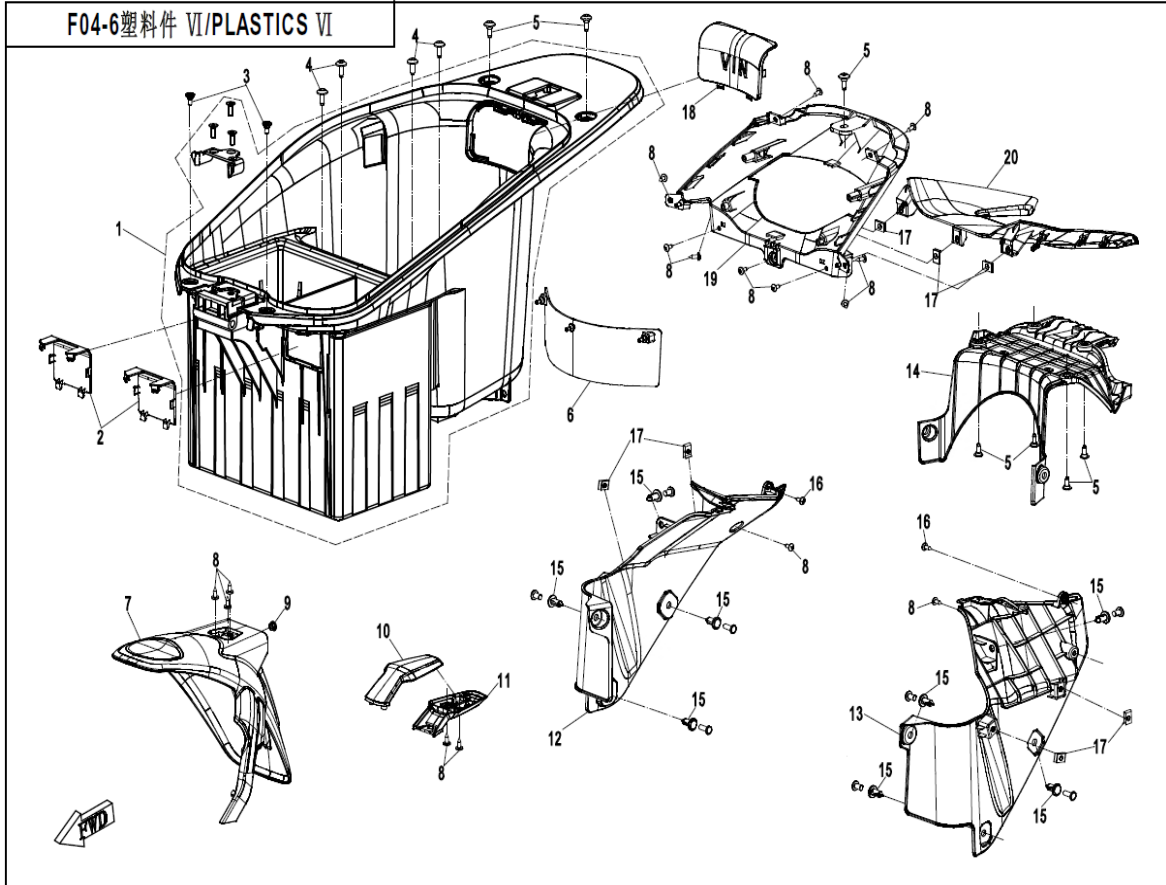
Item No.	Parts Number	Parts Name(EN)	Qty	Specification
1	FA7V-042051-1001	MIDDLE FOOT PEDAL	1	
2	FA7V-042053-1000	PLUG, MIDDLE PEDAL	7	
3	6WWV-047102-5000	INNER HEX SCREW M5x14	3	
4	6WWV-046602-5000	INNER HEX STEPPED SCREW M6x14	2	
5	FA7V-042041-1000	INNER LOCK PLATE, FOOT PEDAL	1	
6	8010-000002	CLAMP ST4.2	10	ST4.2
7	6KM#-040081-8000-M1	NUT CLIP M5	5	
8	30110-421130010	SELF-TAPPING SCREW ST4.2x13	18	ST4.2x13
9	5270-150001	FOAM (LH&RH), BATTERY	2	
10	FA7V-042072-1001-0VE00	RH SIDE STRAP	1	NEBULA WHITE
10	FA7V-042072-1001-0D000	RH SIDE STRAP	1	ZIRCON BLACK
10	FA7V-042072-1002-0VE00	RH STRIP	1	NEBULA WHITE
10	FA7V-042072-1002-0D000	RH STRIP	1	ZIRCON BLACK
11	FA7V-042071-1000-0VE00	LH SIDE STRAP	1	NEBULA WHITE
11	FA7V-042071-1000-0D000	LH SIDE STRAP	1	ZIRCON BLACK
11	FA7V-042071-1001-0VE00	LH STRIP	1	NEBULA WHITE
11	FA7V-042071-1001-0D000	LH STRIP	1	ZIRCON BLACK
12	FA7V-042061-1001	BASE PLATE	1	
13	6WWV-046702-5000	INNER HEX SCREW M6x12	4	
14	FA7V-043012-1000	SEAT FRONT DECO PLATE	1	
15	FA7V-043011-1000	LOCK BRACKET, SEAT FRONT DECO PLATE	1	
16	FA7V-043060-1000	CHARGING BOX ASSY	1	

F04-5塑料件 V/PLASTICS V



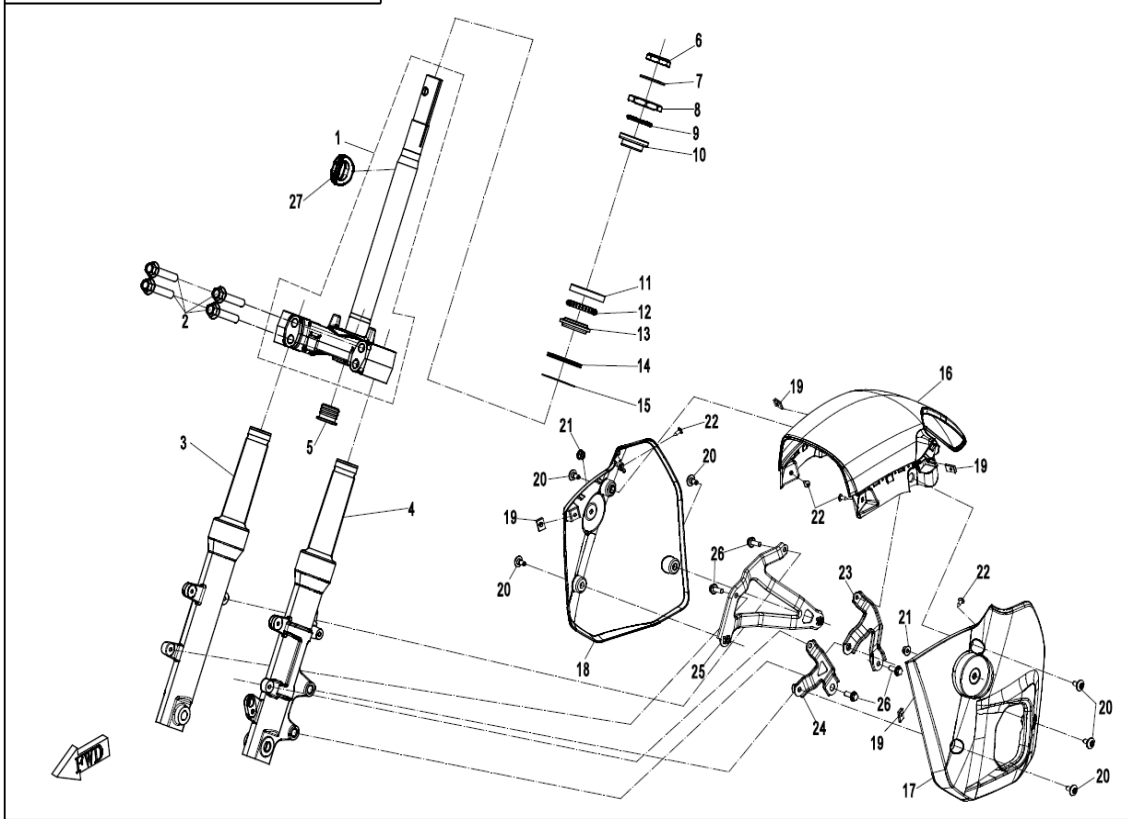
Item No.	Parts Number	Parts Name(EN)	Qty	Specification
1	FA7V-043022-1000	SEAT RH LOWER DECO PLATE	1	
2	FA7V-043021-1000	SEAT LH LOWER DECO PLATE	1	
3	30110-421130010	SELF-TAPPING SCREW ST4.2x13	32	ST4.2x13
4	6WWV-046602-5000	INNER HEX STEPPED SCREW M6x14	6	
5	8010-000002	CLAMP ST4.2	16	ST4.2
6	FA7V-043024-1000-0BM00	RH MIDDLE DECO PART	1	NEBULA BLACK
6	FA7V-043024-1000-0G700	RH MIDDLE DECO PART	1	LEMON GREEN
7	FA7V-043023-1000-0BM00	LH MIDDLE DECO PART	1	NEBULA BLACK
7	FA7V-043023-1000-0G700	LH MIDDLE DECO PART	1	LEMON GREEN
8	FA7V-043032-1002-0VE00	REAR RH UPPER DECO PALATE	1	NEBULA WHITE
8	FA7V-043032-1002-0D000	REAR RH UPPER DECO PALATE	1	ZIRCON BLACK
9	FA7V-043031-1002-0VE00	REAR LH UPPER DECO PALATE	1	NEBULA WHITE
9	FA7V-043031-1002-0D000	REAR LH UPPER DECO PALATE	1	ZIRCON BLACK
10	6KM#-040081-8000-M1	NUT CLIP M5	2	
11	8080-000001	CLASP	10	
12	FA7V-043034-1002-0BM00	REAR RH LOWER DECO PALATE	1	NEBULA BLACK
13	FA7V-043033-1002-0BM00	REAR LH LOWER DECO PALATE	1	NEBULA BLACK
14	6WWV-047102-5000	INNER HEX SCREW M5x14	4	
15	6KM#-160420-8001	SPONGE MAT	4	

F04-6塑料件 VI/PLASTICS VI



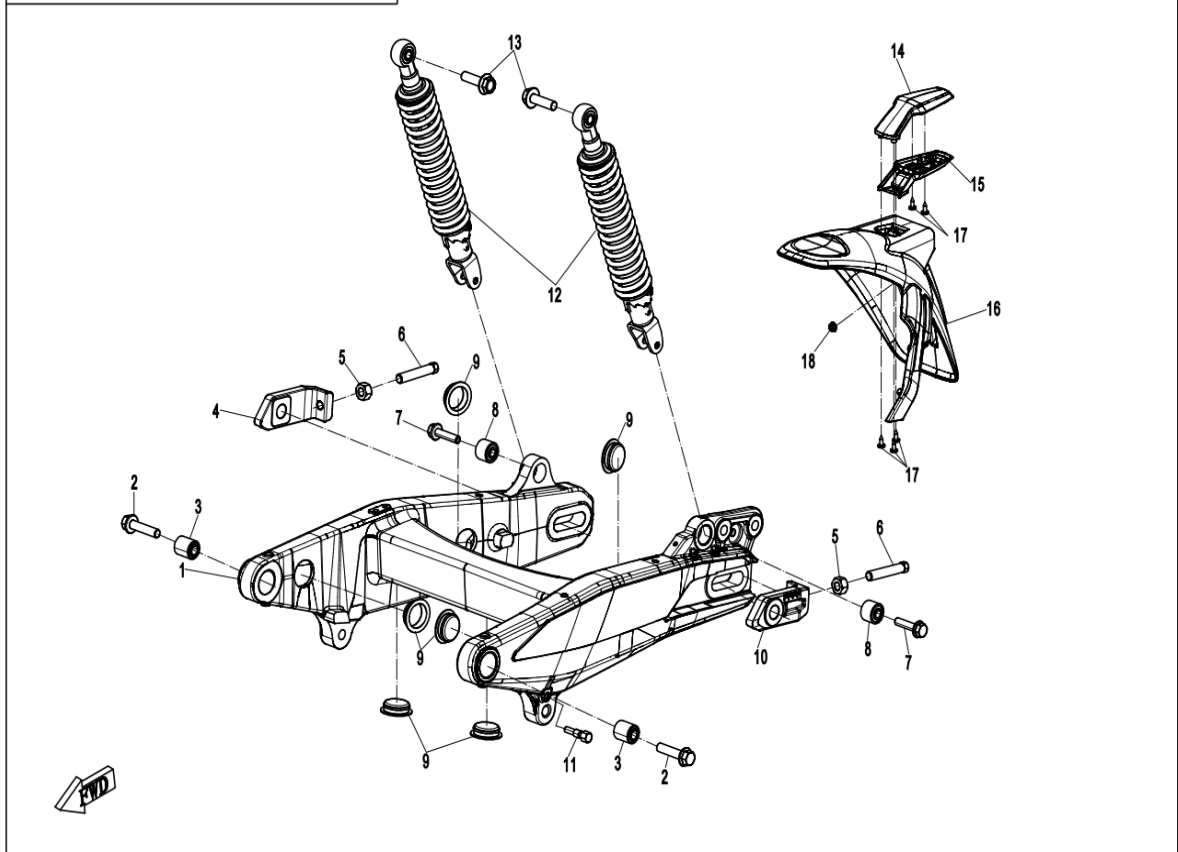
Item No.	Parts Number	Parts Name(EN)	Qty	Specification
1	FA7V-044011-1002	STORAGE BOX, SEAT	1	
1	FA7V-044011-1003	STORAGE BOX, SEAT	1	
2	FA7V-044013-1000	PRESS COVER, BATTERY WIRE	2	
3	6WWW-047102-5000	INNER HEX SCREW M5x14	2	
4	6WWW-046802-5000	INNER HEX SCREW M6x16	4	
5	6WWW-046602-5000	INNER HEX STEPPED SCREW M6x14	7	
6	FA7V-044014-1000	REAR INNER MUDGUARD	1	
7	FA7V-060601-1000	REAR FENDER	1	
8	30110-421130010	SELF-TAPPING SCREW ST4.2x13	16	ST4.2x13
9	30202-050170	NUT M5	1	M5
10	FA7V-060603-1000	UPPER PRESS COVER, REAR LICENSE LIGHT	1	
11	FA7V-060604-1000	LOWER PRESS COVER, REAR LICENSE LIGHT	1	
12	FA7V-043053-1001	REAR RH INNER LOCK PLATE	1	
13	FA7V-043052-1001	REAR LH INNER LOCK PLATE	1	
14	FA7V-043051-1000	REAR INNER FENDER	1	
15	9060-040310	SEAT, PLASTIC CLIP	8	
16	30110-420160010	SELF-TAPPING SCREW ST4.2x16	2	ST4.2x16
17	8010-000002	CLAMP ST4.2	7	ST4.2
18	FA7V-044012-1000	PRESS COVER, FRAME NUMBER	1	
19	FA7V-043041-1000	DECO PLATE, TAIL LIGHT	1	
20	FA7V-043042-1000	LOWER DECO PLATE, TAIL LIGHT	1	

前悬挂/Front Suspension



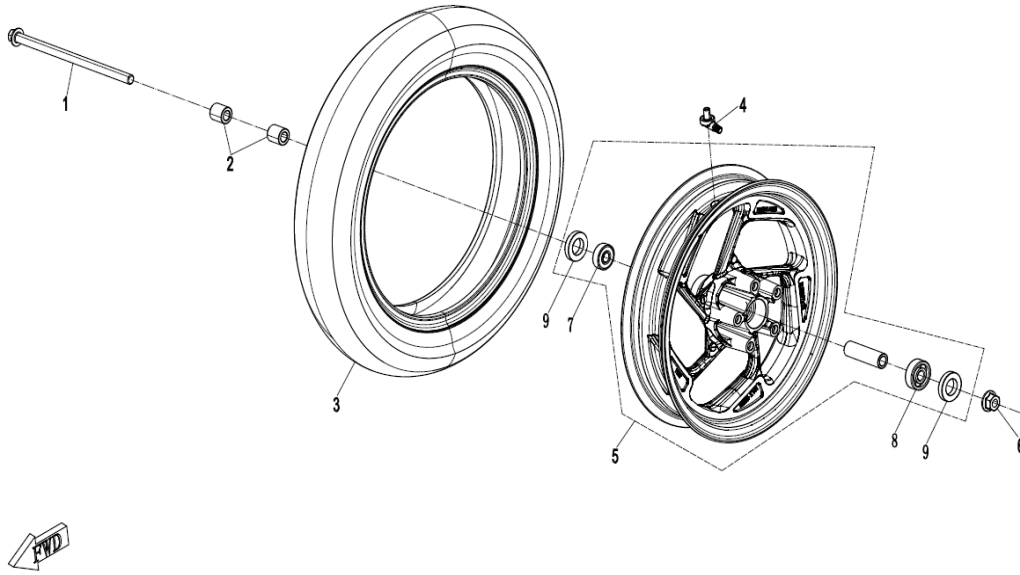
Item No.	Parts Number	Parts Name(EN)	Qty	Specification
1	FA7V-050300-1000	STEERING STEM ASSY	1	
2	30001-102045810	BOLT M10x1.25x45	4	
3	FA7V-050200-1000-M1	RH FRONT SHOCK ABSORBER	1	
3	FA7V-050200-1001-M1	RH FRONT SHOCK ABSORBER	1	
4	FA7V-050100-1000-M1	LH FRONT SHOCK ABSORBER	1	
4	FA7V-050100-1001-M1	LH FRONT SHOCK ABSORBER	1	
5	6KJ0-030503	RUBBER PLUG	1	
6	FA7V-050002-1000	LOCK NUT	1	
7	FA7V-050001-1000	LOCK RETAINER	1	
8	FA7V-050401-1000	UPPER BEARING RETAINER	1	
9	FA7V-050410-1000	UPPER STEEL BALL KIT	1	
10	FA7V-050402-1000	UPPER BEARING CAGE	1	
11	FA7V-050502-1000	LOWER BEARING CAGE	1	
12	FA7V-050510-1000	LOWER STEEL BALL KIT	1	
13	FA7V-050501-1000	LOWER BEARING RETAINER	1	
14	FA7V-050004-1000	LOWER ANTI DUST RUBBER RING	1	
15	FA7V-050003-1000	LOWER ANTI DUST RETAINER	1	
16	FA7V-050601-1000-OBM00	FRONT FENDER	1	NEBULA BLACK
17	FA7V-050602-1000-OBM00	LH DECO PLATE, FRONT FENDER	1	NEBULA BLACK
18	FA7V-050603-1000-OBM00	RH DECO PLATE, FRONT FENDER	1	NEBULA BLACK
19	8010-000002	CLAMP ST4.2	4	ST4.2
20	6WWV-046602-5000	INNER HEX STEPPED SCREW M6x14	6	
21	30202-050170	NUT M5	2	M5
22	30110-421130010	SELF-TAPPING SCREW ST4.2x13	4	ST4.2x13
23	FA7V-050010-1000	BRACKET 1, FRONT FENDER	1	
23	FA7V-050010-1001	FRONT FENDER BRACKET I	1	
24	FA7V-050020-1000	BRACKET 2, FRONT FENDER	1	
24	FA7V-050020-1001	FRONT FENDER BRACKET II	1	
25	FA7V-050030-1000	BRACKET 3, FRONT FENDER	1	
25	FA7V-050030-1001	FRONT FENDER BRACKET III	1	
26	30006-060012870	BOLT M6x12	4	M6x12
27	FA7V-045011-1000	RUBBER, STEERING TUBE	1	

后悬架总成/REAR SUSPENSION



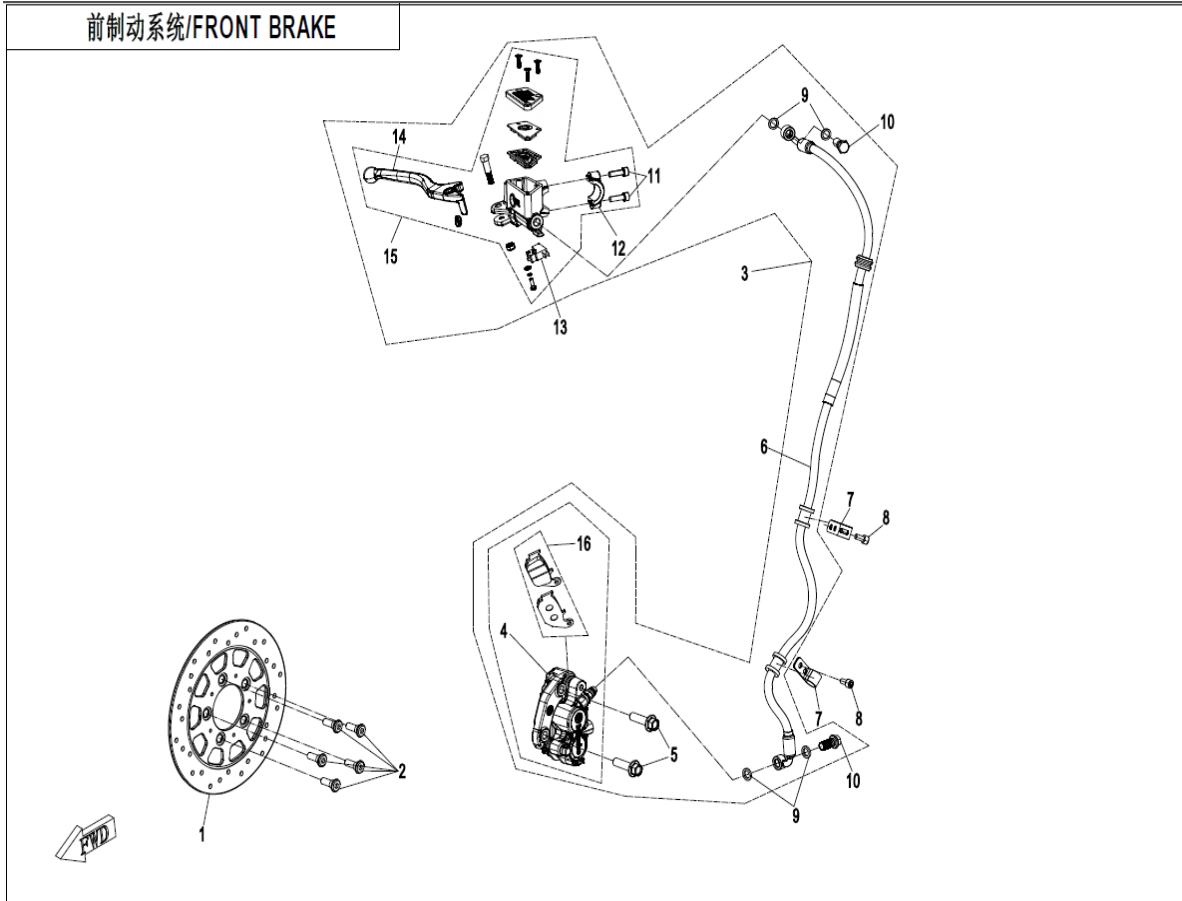
Item No.	Parts Number	Parts Name(EN)	Qty	Specification
1	FA7V-060001-1001	REAR FORK	1	
1	FA7V-060001-1002	REAR FORK	1	
2	0800-014005-00001	BOLT M12x1.25x54	2	M12x1.25x54
3	FA7V-060200-1001	DAMPING SLEEVE ASSY, REAR FORK	2	
4	FA7V-060005-1000	RH BELT ADJUSTING BLOCK	1	
5	30200-102800	HEX NUT M10x1.25	2	M10x1.25
6	6L30-060002	ADJUSTABLE BOLT, CHAIN	2	
7	FA7V-060008-1000	BOLT M8x35	2	M8x35
8	0010-011500	BUSHING, REAR SHOCK ABSORBER	2	
9	6NT1-060003	DUST CAP, SMALL	6	
10	FA7V-060004-1000	LH BELT ADJUSTING BLOCK	1	
11	FA7V-060007-1000	MIDDLE SUPPORTER PIN	1	
12	FA7V-062000-1000-M1	REAR SHOCK ABSORBER	2	
13	30006-102035810	BOLT M10x1.25x35	2	M10x1.25x35
14	FA7V-060603-1000	UPPER PRESS COVER, REAR LICENSE LIGHT	1	
14	FA7V-060603-1001	UPPER PRESS COVER, REAR LICENSE LIGHT	1	
15	FA7V-060604-1000	LOWER PRESS COVER, REAR LICENSE LIGHT	1	
15	FA7V-060604-1001	LOWER PRESS COVER, REAR LICENSE LIGHT	1	
16	FA7V-060601-1000	REAR FENDER	1	
16	FA7V-060601-1001	REAR FENDER	1	
16	FA7V-060601-1002	REAR FENDER	1	
17	30110-421130010	SELF-TAPPING SCREW ST4.2x13	5	ST4.2x13
18	30202-050170	NUT M5	1	M5

前轮/FRONT WHEEL



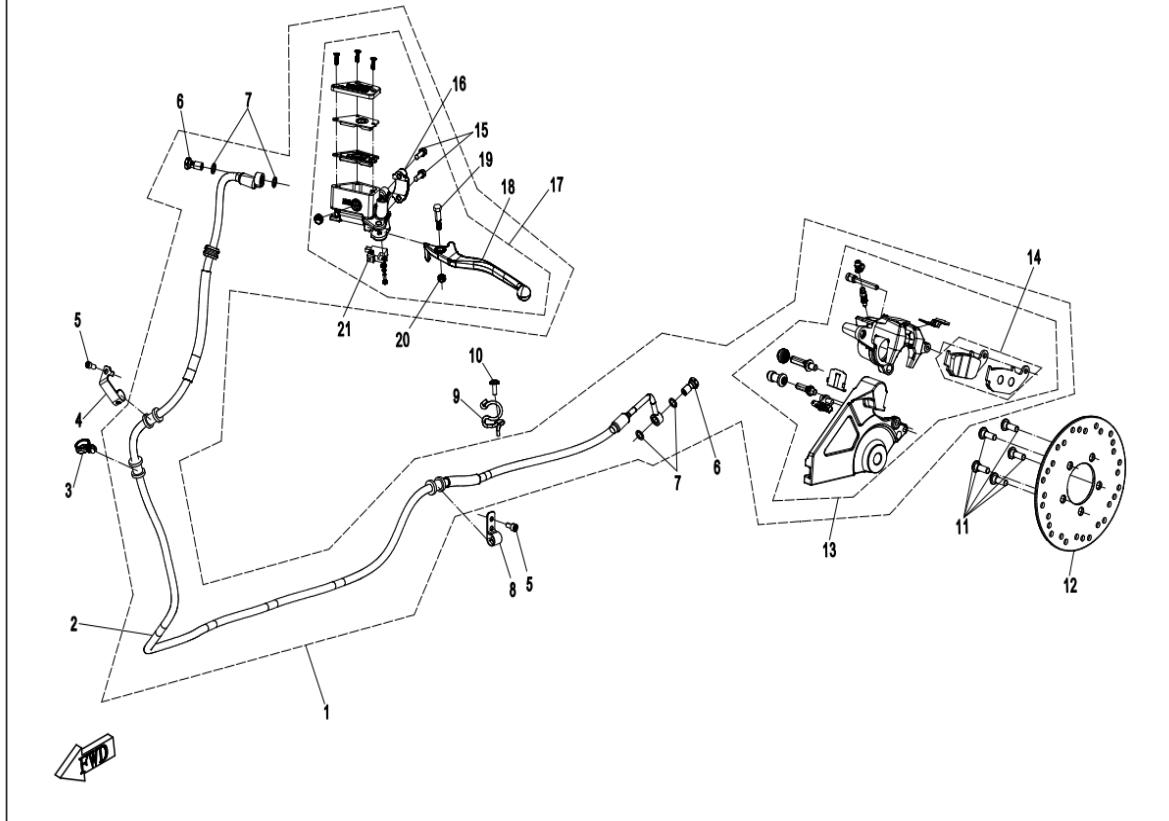
Item No.	Parts Number	Parts Name(EN)	Qty	Specification
1	FA7V-070001-1000	AXLE, FRONT WHEEL	1	
1	FA7V-070001-1001	FRONT WHEEL SHAFT	1	
2	FA7V-070002-1001	SHAFT BUSHING, FRONT WHEEL	2	
2	FA7V-070002-1002	FRONT WHEEL SHAFT BUSHING	2	
3	3070SH-120300	FRONT TIRE	1	
4	FA7V-070300-1000	INFLATION VALVE	1	
4	8010-110200-1000	INFLATION VALVE	1	ENVIRONMENTALLY-FRIENDLY VALVE, INFLATION
5	FA7V-070100-1000	FRONT RIM ASSY	1	
5	FA7V-070100-1001	FRONT RIM	1	
6	30204-122810	NUT M12x1.25	1	M12x1.25
7	30400-01280	BEARING	1	6201-2RS
8	30400-01281	BEARING	1	6301-2RS
9	6KJ0-070024	OIL SEAL	2	

前制动系统/FRONT BRAKE



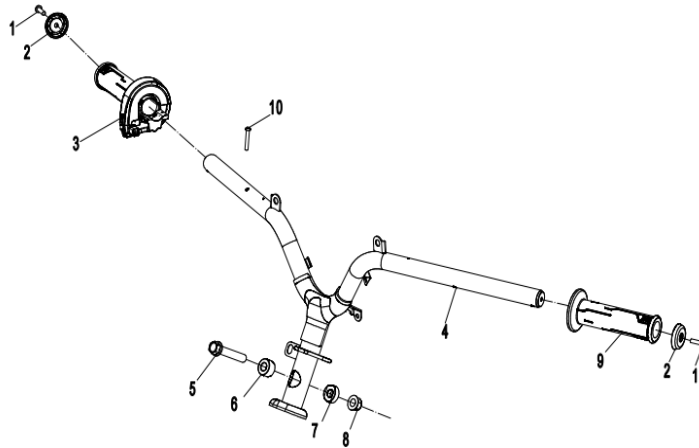
Item No.	Parts Number	Parts Name(EN)	Qty	Specification
1	FA7V-080001-1000	FRONT BRAKE DISC	1	
1	FA7V-080001-1001	FRONT BRAKE DISC	1	
2	8010-080118	BOLT, BRAKE DISC	5	
3	FA8V-081000-1001	FRONT HYDRAULIC BRAKE	1	
3	FA8V-081000-1002	FRONT HYDRAULIC BRAKE	1	
4	FA8V-081200-1000-M1	CALIPER, FRONT BRAKE	1	
5	30006-102035810	BOLT M10x1.25x35	2	M10x1.25x35
6	FA8V-081100-1001	FRONT BRAKE FLUID HOSE	1	
7	FA8V-080011-1000	WIRE CLIP, FRONT BRAKE FLUID HOSE	2	
8	30102-060012810	SCREW	2	
9	A000-080102-2000	WASHER	4	
10	6KM#-080103-8101	BOLT, FUEL PIPE	2	
11	6090-080127	HALF-CAP BOLT	2	
12	6090-080126	HALF COVER	1	
13	FA7V-080140-1000-26	BRAKE LIGHT SWITCH	1	
14	FA7V-080140-1000-22	BRAKE LEVER	1	
15	FA7V-080140-1000	FRONT BRAKE MASTER CYLINDER	1	
16	FA8V-0812A0-1000	FRONT BRAKE PAD	1	

后制动系统/REAR BRAKE SYSTEM



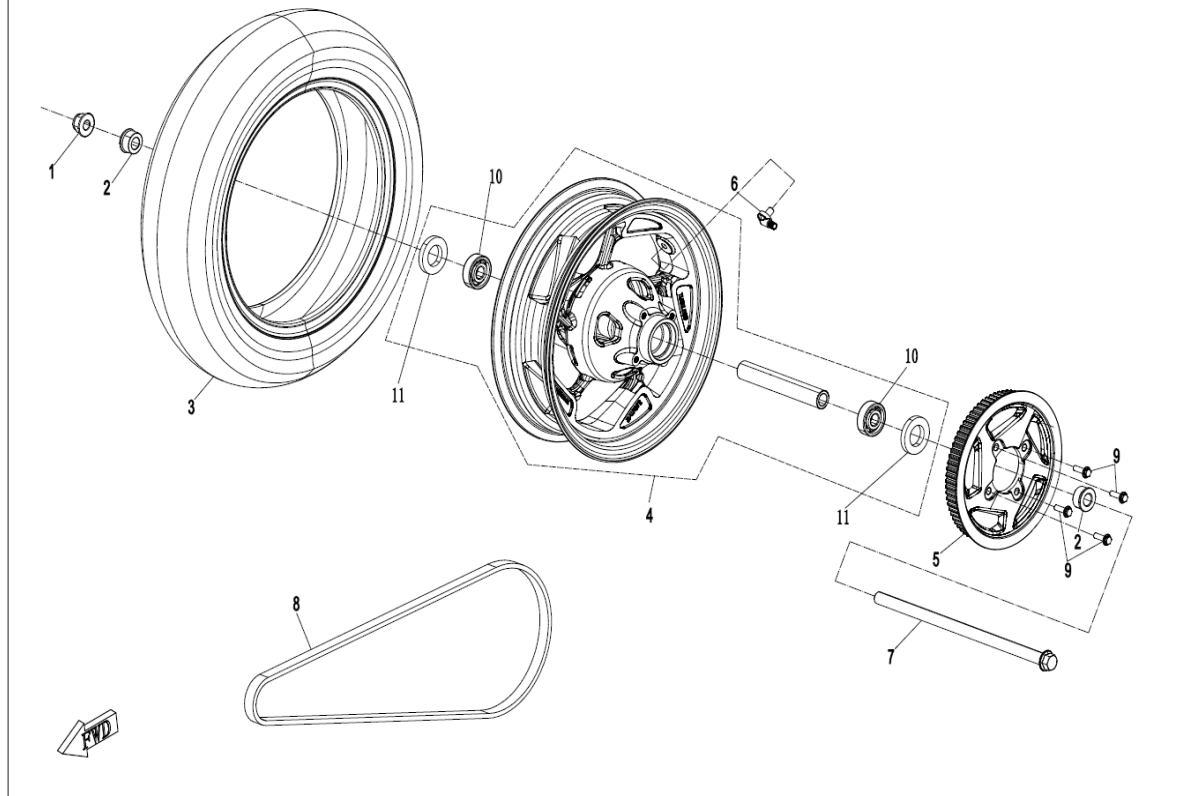
Item No.	Parts Number	Parts Name(EN)	Qty	Specification
1	FA8V-091000-1001	REAR HYDRAULIC BRAKE	1	
2	FA8V-091100-1001	REAR BRAKE FLUID HOSE	1	
3	A000-050015	WIRE CLIP, FRONT BRAKE FLUID HOSE	1	
4	FA8V-090011-1000	WIRE CLIP, REAR BRAKE FLUID HOSE	1	
5	30102-060012810	SCREW	2	
6	6KM#-080103-8101	BOLT, FUEL PIPE	2	
7	A000-080102-2000	WASHER	4	
8	FA8V-080011-1000	WIRE CLIP, FRONT BRAKE FLUID HOSE	1	
9	FA8V-090013-1000	LIMIT WIRE, OIL HOSE	1	
10	6WVV-047102-5000	INNER HEX SCREW M5x14	1	
11	8010-080118	BOLT, BRAKE DISC	5	
12	FA7V-080002-1000	REAR BRAKE DISC	1	
12	FA7V-080002-1001	REAR BRAKE DISC	1	
13	FA7V-080250-1000	REAR BRAKE CALIPER ASSY	1	
14	FA7V-0802A0-1000	REAR BRAKE PAD	1	
15	6090-080127	HALF-CAP BOLT	2	
16	6090-080126	HALF COVER	1	
17	FA7V-080240-1000	REAR BRAKE MASTER CYLINDER	1	
18	FA7V-080240-1000-22	BRAKE LEVER	1	
19	6090-080124	BOLT, HAND LEVER	1	
20	30204-060810	NUT M6	1	M6
21	FA7V-080240-1000-26	BRAKE LIGHT SWITCH	1	

操纵系统/STEERING SYSTEM



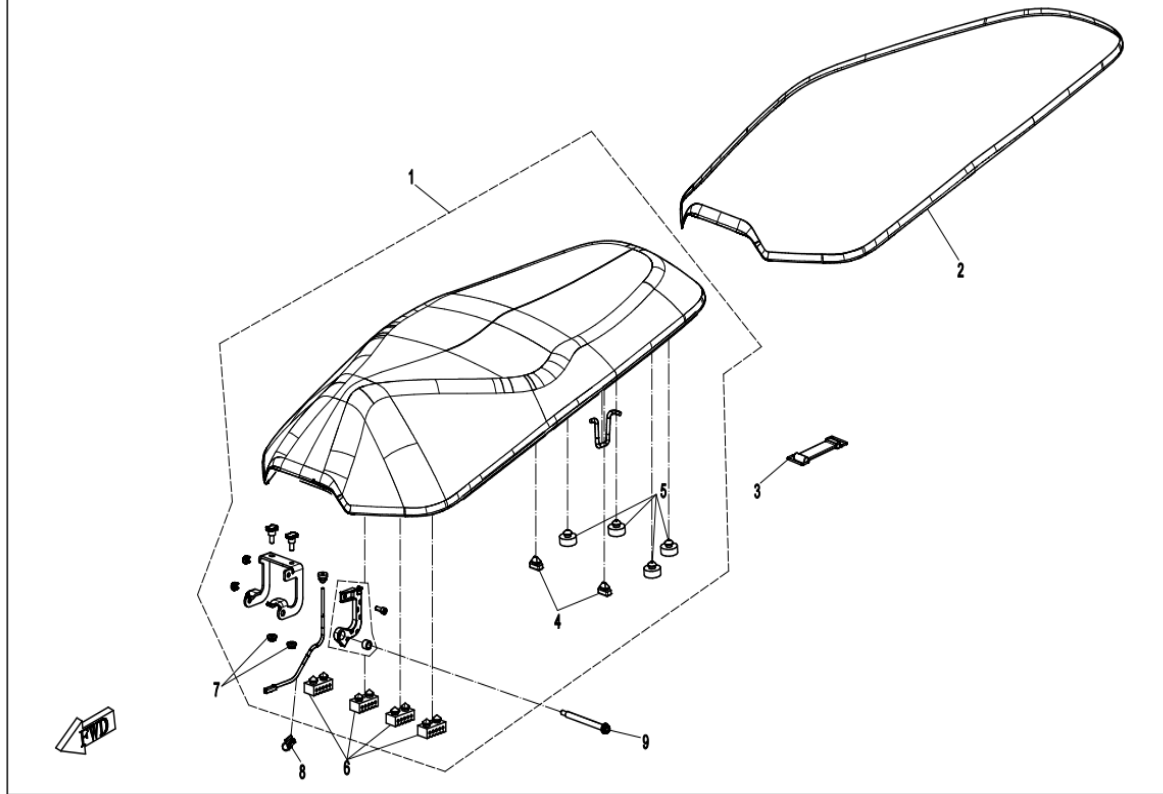
Item No.	Parts Number	Parts Name(EN)	Qty	Specification
1	30121-050020800	BOLT M5x20	2	M5x20
2	FA7V-100002-1000	BALANCER BLOCK	2	
3	FA7V-100020-1000	E-THROTTLE ASSY	1	
4	FA7V-103000-1000	HANDLEBAR PIPE ASSY	1	ELECTROPHORESIS BLACK
4	FA7V-103000-1002	HANDLEBAR PIPE ASSY	1	
5	30006-102055810	BOLT M10x1.25x55	1	M10x1.25x55
6	FA7V-104100-1000	OPEN SUPPORTING SLEEVE A	1	
7	FA7V-104200-1000	OPEN SUPPORTING SLEEVE B	1	
8	30204-102810	NUT M10x1.25	1	M10x1.25
9	FA7V-100010-1000	LH HAND GRIP	1	
9	FA7V-100010-1001	LH HAND GRIP	1	
10	30105-040030410	SCREW M4x30	1	M4x30

后轮/REAR WHEEL



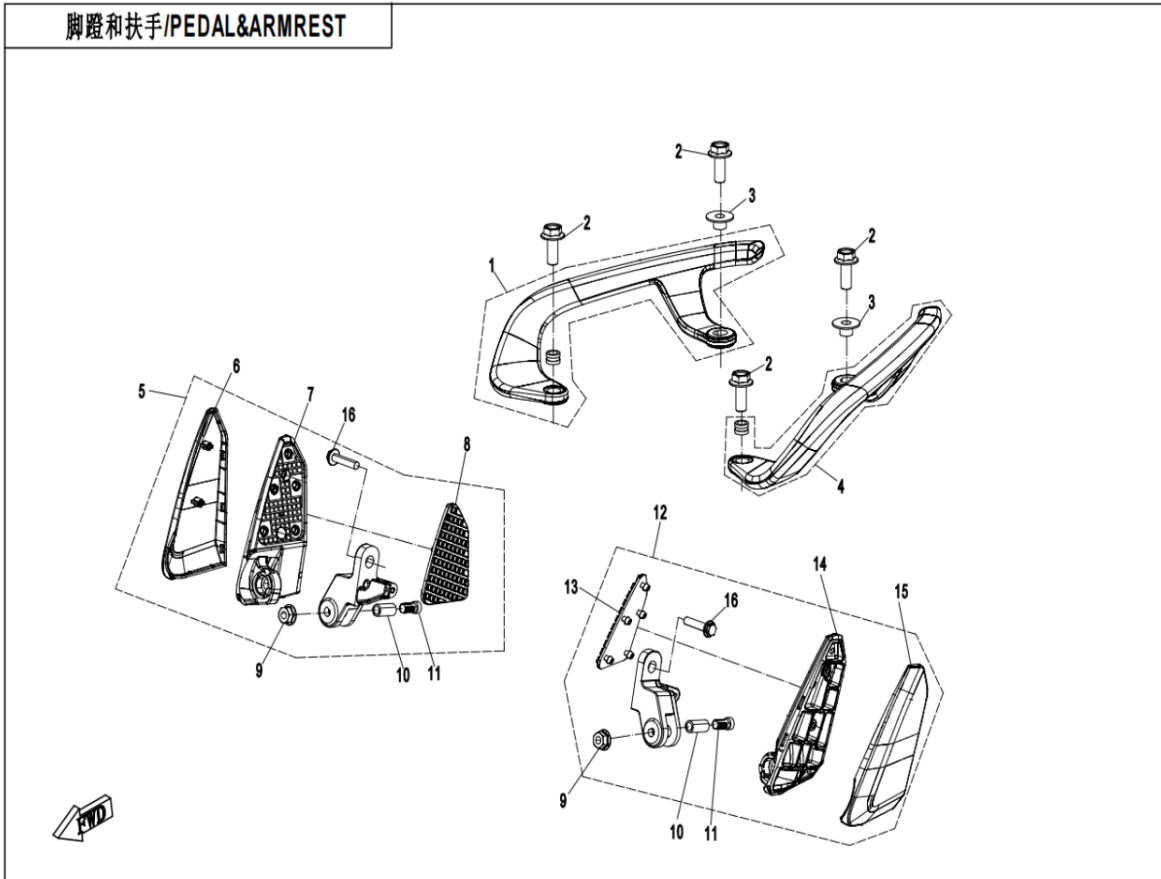
Item No.	Parts Number	Parts Name(EN)	Qty	Specification
1	30204-143810	NUT M14x1.5	1	M14x1.5
2	FA7V-110002-1001	SHAFT BUSHING, REAR WHEEL	2	
2	FA7V-110002-1002	REAR WHEEL SHAFT BUSHING	2	
3	3070SH-120400	TIRE	1	120/70-12 51L
4	FA8V-110100-1000	REAR RIM ASSY	1	
4	FA8V-110100-1001	REAR RIM ASSY	1	
5	FA8V-110003-1000	DRIVEN PULLEY	1	
5	FA8V-110003-1001	DRIVEN PULLEY	1	
6	FA7V-070300-1000	INFLATION VALVE	1	
6	8010-110200-1000	INFLATION VALVE	1	ENVIRONMENTALLY-FRIENDLY VALVE, INFLATION
7	FA7V-110001-1000	AXLE, REAR WHEEL	1	
7	FA7V-110001-1001	REAR WHEEL SHAFT	1	
8	FA8V-110004-1000-M1	SYNCHRONOUS BELT	1	
9	30013-080030870	BOLT M8x30	4	M8x30
10	30400-01583	BEARING	2	6302-2RS
11	30500-027800N	OIL SEAL	2	FB27x47x7

座垫总成/SEAT ASSY



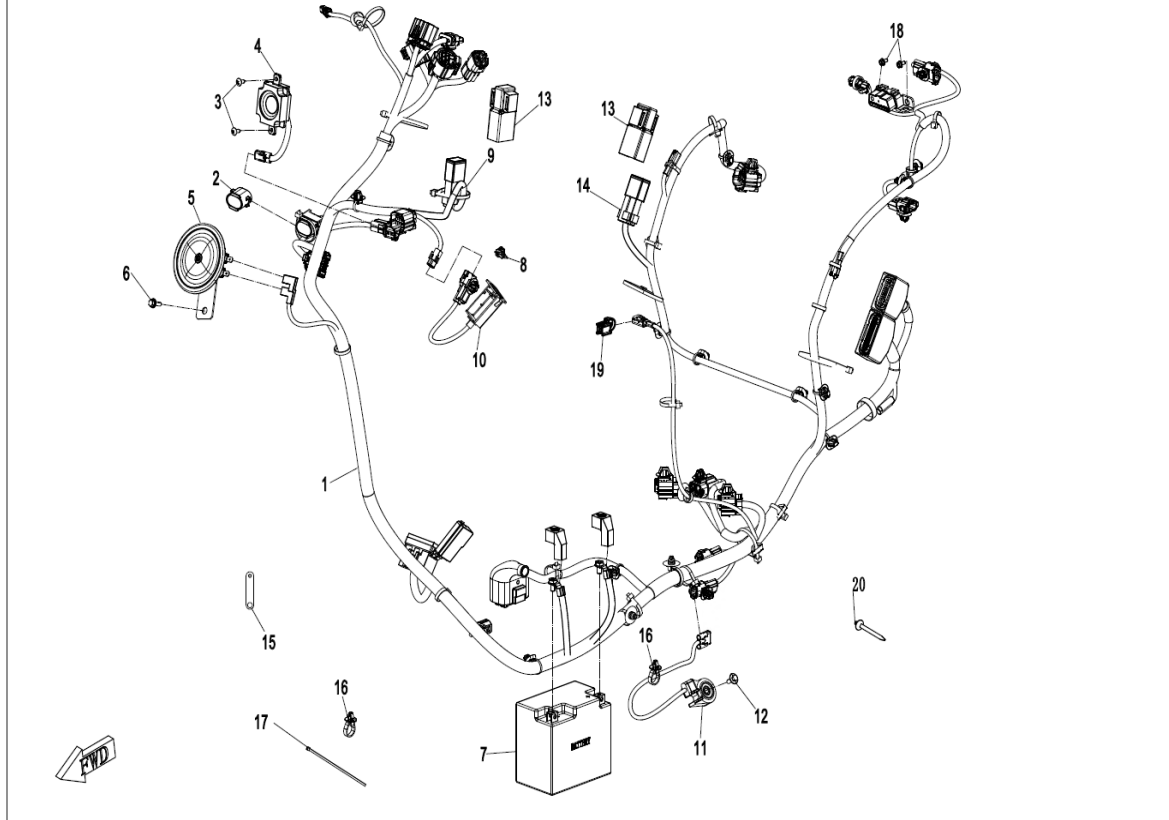
Item No.	Parts Number	Parts Name(EN)	Qty	Specification
1	FA7V-130100-1003	SEAT ASSY	1	
2	FA7V-130300-1000	SEAL RUBBER STRAP	1	
2	FA7V-130300-1001	SEAL STRAP	1	
3	8010-000012	TIE BAND ASSY	1	
4	6FI3-130105	RUBBER DAMPER 3	2	
5	9030-131001	RUBBER WASHER	4	
6	6FI3-130102	RUBBER DAMPER 2	4	
7	30204-060870	NUT M6	2	
8	5ASV-150009-6000-M1	TIE BAND	2	
9	FA7V-130200-1000	BOLT	1	
10	FA7V-130107-1001	WIRECLIP	1	

脚蹬和扶手/PEDAL&ARMREST



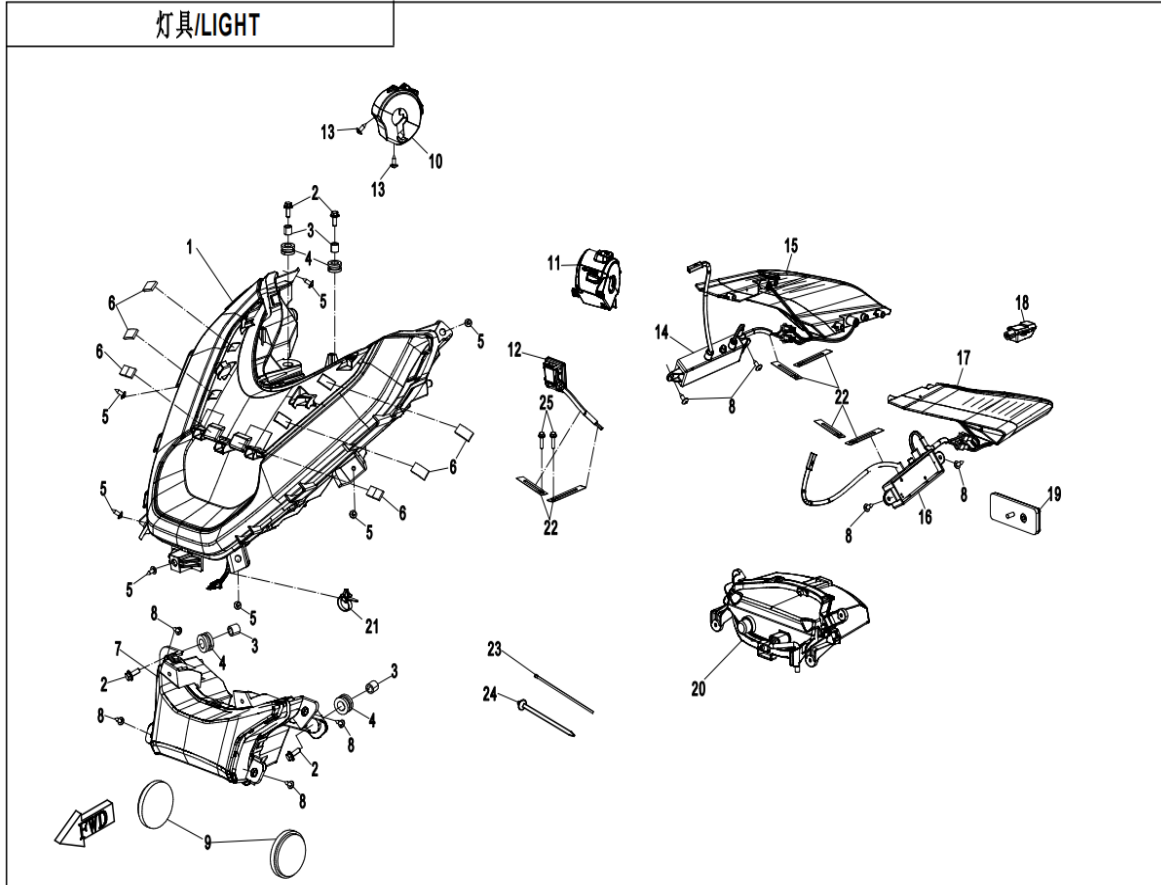
Item No.	Parts Number	Parts Name(EN)	Qty	Specification
1	FA7V-140002-1000	RH REAR ARMREST	1	
2	30006-080025810	BOLT	4	M8x25
3	6GU#-020002-6001	BUSHING	2	
4	FA7V-140001-1000	LH REAR ARMREST	1	
5	FA7V-140300-1001-M2	RH REAR FOOTREST ASSY	1	
6	FA7V-140218-1000	DECO COVER, RH FOOTREST	1	
7	FA7V-140202-1001-M2	RH FOOTREST BOARD	1	
8	FA7V-140216-1000	RUBBER MAT, RH FOOTREST	1	
9	30204-060810	NUT M6	2	M6
10	FA7V-140231-1000-M2	CONNECTING PIN SHAFT	2	
11	30006-060035810	BOLT M6x35	2	M6x35
12	FA7V-140200-1001-M2	LH REAR FOOTREST ASSY	1	
13	FA7V-140215-1000	RUBBER MAT, LH FOOTREST	1	
14	FA7V-140201-1001-M2	LH FOOTREST BOARD	1	
15	FA7V-140217-1000	DECO COVER, LH FOOTREST	1	
16	30006-102020810	BOLT M10x1.25x20	2	M10x1.25x20

电器系统/ELECTRIC SYSTEM



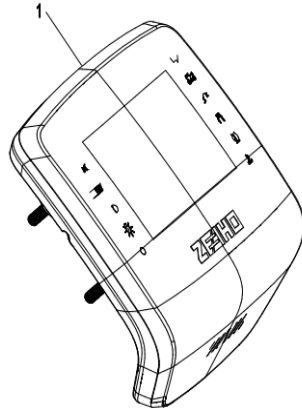
Item No.	Parts Number	Parts Name(EN)	Qty	Specification
1	FA7V-150100-1000	MAIN CABLE	1	
2	FA7V-156103-1000-M1	PLUG, RF RECEIVER	1	
3	30110-421130010	SELF-TAPPING SCREW ST4.2x13	2	ST4.2x13
4	EAEV-150900-1000	HORN	1	
5	6060-150600	ELECTRIC HORN	1	
6	30006-080014810	BOLT M8x14	1	M8x14
7	EAEV-151600-1000	BATTERY	1	
8	6GU#-150001-6000-M1	CLASP	1	
9	EAEV-150520-1000	AUXILIARY RELAY	1	
10	FA8V-150600-1001	USB OUTLET SOCKET	1	
11	EAEV-151200-1001	SIDE STAND SWITCH	1	
12	FA7V-030011-1000	BOLT M6x16	1	M6x16
13	FA7V-156006-1000	RUBBER SLEEVE, AUXILIARY RELAY	2	
14	9010-150350	AUXILIARY RELAY	1	
14	CFCV-150524-2000-M1	AUXILIARY RELAY	1	
15	6KJ0-100002	TIE BAND, CLUTCH	2	
16	801F-100101	TIE BAND	2	
17	8010-150003	TIE BAND	21	5x250
18	30006-050012810	BOLT M5x12	2	M5x12
19	9DS#-150009-6100-M1	TIE BAND ZDG4.7x194	1	
20	7030-150005	TIE BAND	1	

灯具/LIGHT



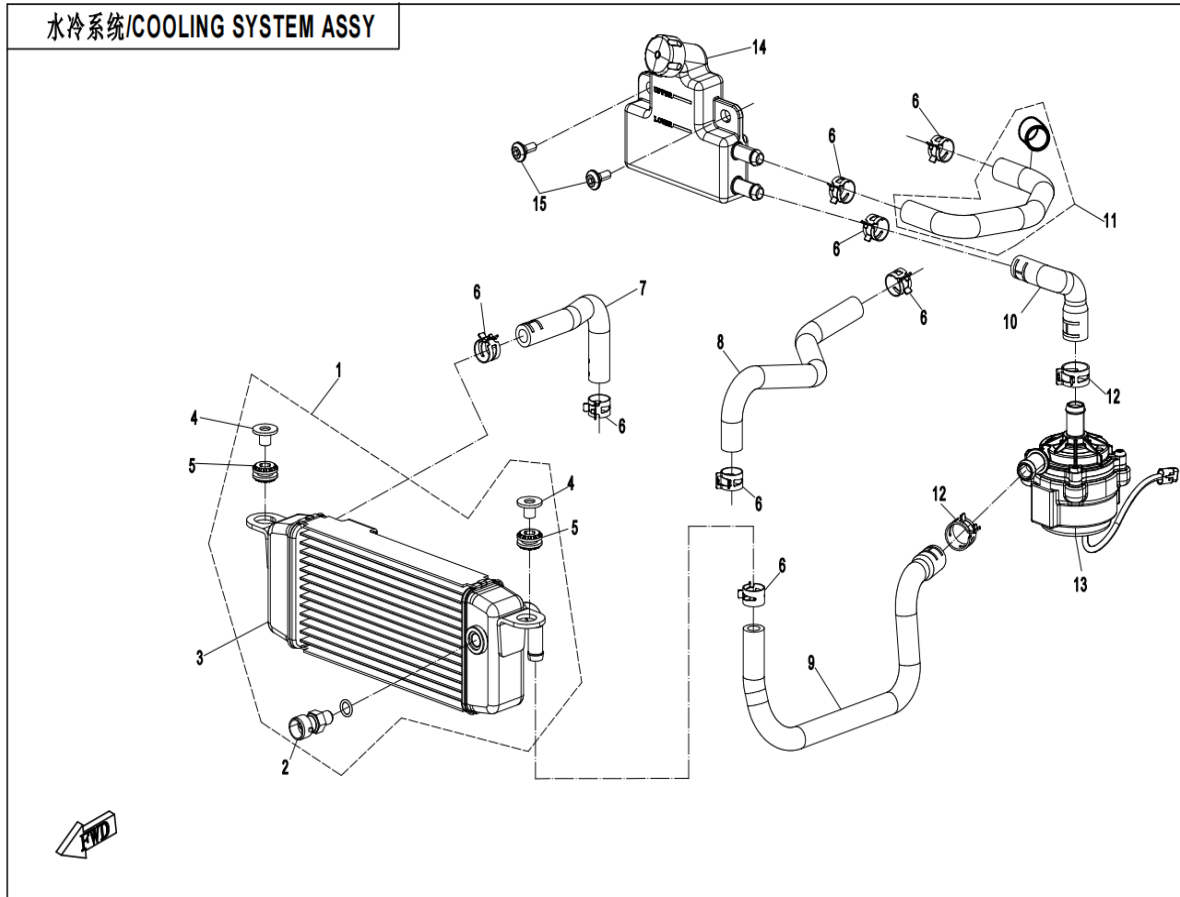
Item No.	Parts Number	Parts Name(EN)	Qty	Specification
1	FA7V-160110-1001	HEADLIGHT LOW-BEAM ASSY	1	
2	30006-060020870	BOLT M6x20	4	M6x20
3	6090-040303	BUSHING	4	
4	6090-040302	RUBBER DAMPER	4	
5	30110-481130010	SELF-TAPPING SCREW ST4.8x13	7	ST4.8x13
6	6KM#-160420-8001	SPONGE MAT	6	
7	FA7V-160120-1000	HEADLIGHT HIGH-BEAM	1	
8	30110-421130010	SELF-TAPPING SCREW ST4.2x13	8	ST4.2x13
9	9GQV-160920-1401-M1	FRONT SIDE REFLECTOR	2	
10	FA7V-167000-1000	HANDLEBAR SWITCH ASSY, RH	1	
11	FA7V-166000-1000	HANDLEBAR SWITCH ASSY, LH	1	
12	FA7V-160900-1000	STORAGE BOX LIGHT	1	
13	30137-250120010	SCREW	2	
14	FA7V-160510-1000	REAR RH TURN LIGHT DRIVER	1	
15	FA7V-160500-1000	REAR RH TURN LIGHT	1	
16	FA7V-160410-1000	REAR LH TURN LIGHT DRIVER	1	
17	FA7V-160400-1000	REAR LH TURN LIGHT	1	
18	FA7V-160600-1001	LICENSE LIGHT	1	
19	9GQV-160910-2401-M1	REAR REFLECTOR	1	
20	FA7V-160200-1000	TAIL LIGHT ASSY	1	
21	CFCV-BBC001-2000-M1	TIE BAND	1	
22	0180-014010	WIRE CLAMP	6	
23	8010-150003	TIE BAND	2	5x250
24	7030-150005	TIE BAND	4	
25	30110-421130010	SELF-TAPPING SCREW ST4.2x13	2	ST4.2x13

仪表/DASHBOARD



Item No.	Parts Number	Parts Name(EN)	Qty	Specification
1	FA7V-171000-1000	DASHBOARD	1	

水冷系统/COOLING SYSTEM ASSY



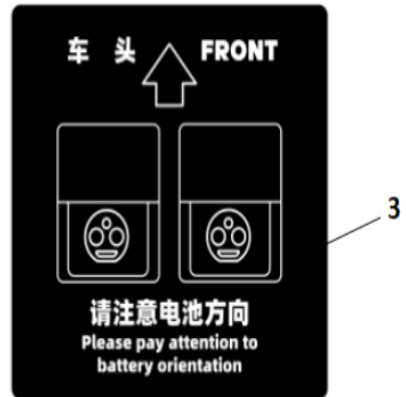
Item No.	Parts Number	Parts Name(EN)	Qty	Specification
1	FA8V-181000-1001	RADIATOR ASSY	1	
2	FA8V-181001-1000-M1	WATER TEMPERATURE SENSOR	1	
3	FA8V-181100-1001	RADIATOR	1	
4	9060-180029	RUBBER CUSHION TUBE, RADIATOR	2	
5	6KM#-181001-8001	DAMPING RUBBER MAT	2	
6	30601-218050	CLAMP B18	8	
7	FA8V-180002-1000	WATER OUTLET PIPE, RADIATOR	1	
8	FA8V-180003-1000	WATER INLET PIPE, MOTOR	1	
9	FA8V-180001-1001	AIR INLET PIPE, RADIATOR	1	
10	FA8V-180005-1001	AIR INLET PIPE, WATER PUMP	1	
11	FA8V-180004-1000	WATER OUTLET PIPE, MOTOR	1	
12	30601-221050	CLAMP B21	2	
13	FA8V-182100-1000-M1	WATER PUMP ASSY	1	
14	FA8V-180100-1000	RESERVOIR TANK ASSY	1	
15	A000-060002	SCREW, CHAIN GUARD	2	



2

建议胎压Recommended tire pressure **ZEHO**

kPa(bar)psi	前(F) 100/80-12 46L	后(R) 120/70-12 51L
	190 (1.9) 28	200 (2.0) 29
	190 (1.9) 28	210 (2.1) 30



Item No.	Parts Number	Parts Name(EN)	Qty	Specification
1	FA8V-190003-1000	WARNING LABEL, SAFETY	1	
2	FA8V-190005-1000	TIRE PRESSURE DECAL	1	STANDARD VERSION
3	FA8V-190004-1000	BATTERY DECAL	1	



Item No.	Parts Number	Parts Name(EN)	Qty	Specification
1	30202-060170	NUT M6	2	M6
2	30006-060012870	BOLT M6x12	2	M6x12
3	FA7V-190002-1000	REAR LICENSE PLATE	1	

ZH5000DT 个性贴花总成

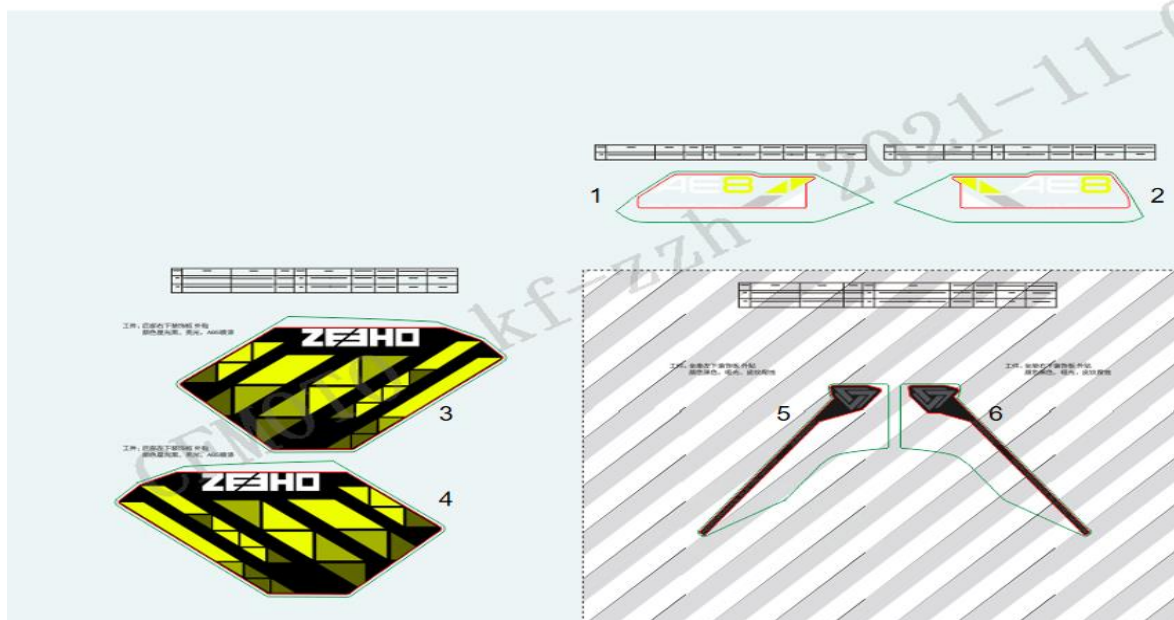
钻石黑配色

FA80-190100-1000-11 个性贴花总成

贴花底材类别
 光白亮光
 光白哑光
 透明亮光
 透明哑光

星光黑
 黑色
 PANTONE Cool Gray 11 C
 PANTONE Cool Gray 3 C
 白色 (两刮)
 柠檬绿
 柠檬绿 + 黑30%
 柠檬绿 + 黑50%

整模线
 半模线



Item No.	Parts Number	Parts Name(EN)	Qty	Specification
1	FA8V-190101-1000-11	DECAL, RH DEFLECTOR	1	
2	FA8V-190102-1000-11	DECAL, LH DEFLECTOR	1	
3	FA8V-190103-1000-11	DECAL, REAR RH LOWER DECO PLATE	1	
4	FA8V-190104-1000-11	DECAL, REAR LH LOWER DECO PLATE	1	
5	FA8V-190105-1000-11	DECAL, SEAT LH LOWER DECO PLATE	1	
6	FA8V-190106-1000-11	DECAL, SEAT RH LOWER DECO PLATE	1	

ZH5000DT 个性贴花总成

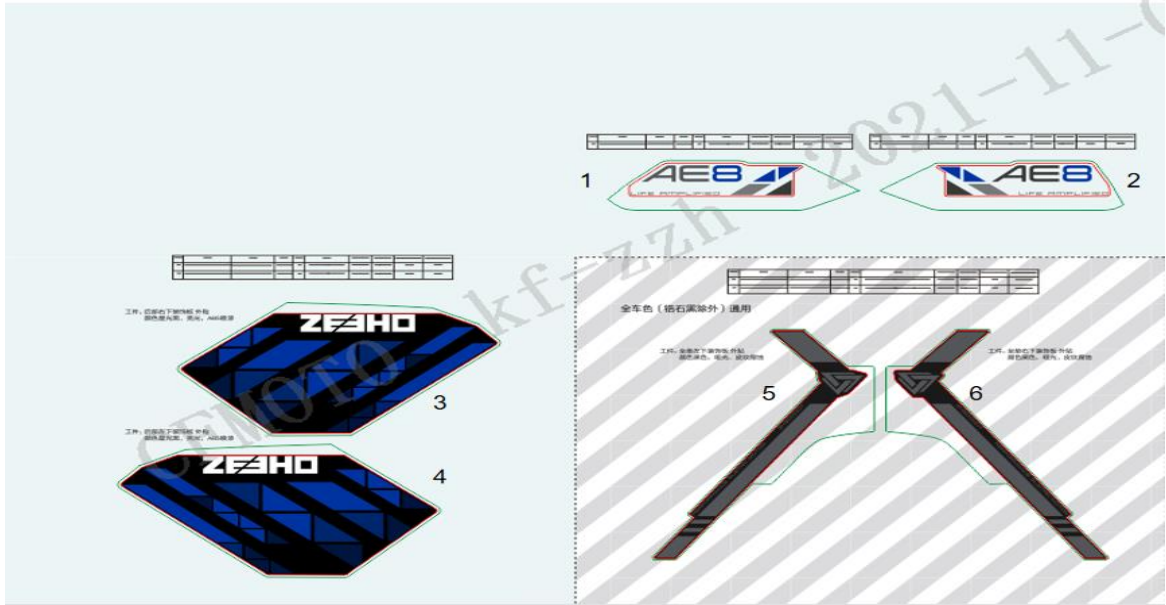
星光白配色

FA80-190100-1000-10 个性贴花总成

贴花底材类别
 (568249) 类别: A/B/E/F/G/H/I/J/K/L/M/N/O/P/Q/R/S/T
 光白亮光
 光白哑光
 透明亮光
 透明哑光

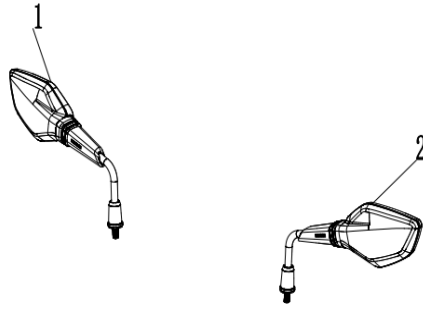
整模线 
 半模线 

 星光黑
  黑色
  PANTONE Cool Gray 11 C
  PANTONE Cool Gray 9 C
 白色 (两刮)
  PANTONE 286 C
  PANTONE 286 C + 黑30%
  PANTONE 286 C + 黑60%



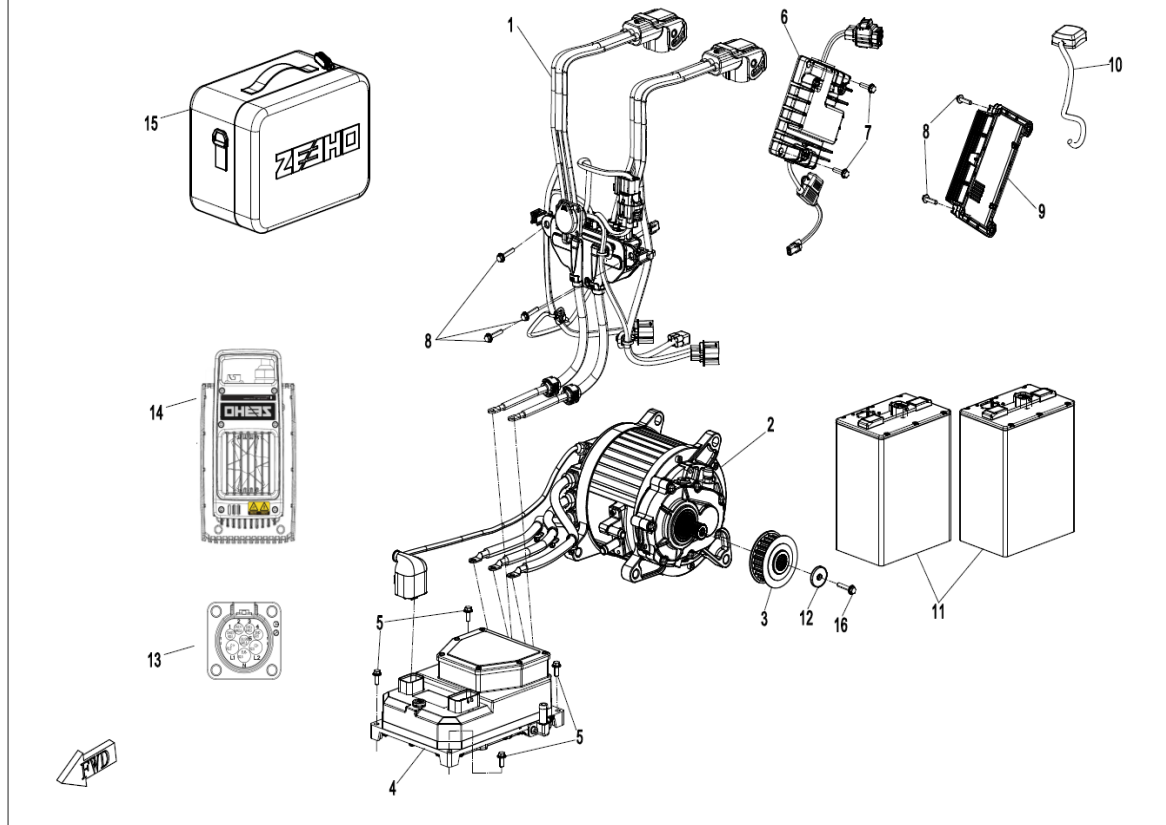
Item No.	Parts Number	Parts Name(EN)	Qty	Specification
1	FA8V-190101-1000-10	DECAL, RH DEFLECTOR	1	
2	FA8V-190102-1000-10	DECAL, LH DEFLECTOR	1	
3	FA8V-190103-1000-10	DECAL, REAR RH LOWER DECO PLATE	1	
4	FA8V-190104-1000-10	DECAL, REAR LH LOWER DECO PLATE	1	
5	FA8V-190105-1000-10	DECAL, SEAT LH LOWER DECO PLATE	1	
6	FA8V-190106-1000-10	DECAL, SEAT RH LOWER DECO PLATE	1	

随车工具/TOOLS



Item No.	Parts Number	Parts Name(EN)	Qty	Specification
1	FA7V-200300-1000	RH REAR VIEW MIRROR ASSY	1	
2	FA7V-200200-1000	LH REAR VIEW MIRROR ASSY	1	

动力总成/POWER ASSEMBLY



Item No.	Parts Number	Parts Name(EN)	Qty	Specification
1	FA8V-440600-1002	WIRE BOX	1	
2	FA8V-431000-1003-M1	DRIVE MOTOR	1	
3	FA8V-430100-1000	DRIVE PULLEY	1	
3	FA8V-430100-1001	DRIVE PULLEY	1	
4	FA8V-430200-1000-M1	MOTOR CONTROLLER	1	
4	FA8V-430200-1001-M1	MOTOR CONTROLLER	1	
5	30102-060025810	SCREW M6x25	4	M6x25
6	FA8V-440200-1003	DCDC	1	
6	FA8V-440200-1500	DCDC	1	
7	30102-060030810	SCREW M6x30	2	M6x30
8	30102-050016810	SCREW M5x16	5	M5x16
9	FA8V-440100-1001-M1	VEHICLE CONTROLLER	1	
10	FA8V-440400-1000-M1	GPS ANTENNA	1	300mm
10	FA8V-440400-1000	GPS ANTENNA	1	
11	FA8V-430300-1001	BATTERY KIT	2	
12	FA8V-430001-1000	FLAT MAT	1	
13	FA8V-440700-1000	SOCKET, CHARGING CABLE	1	
14	FA8V-440300-1001	750W CHARGER	1	
15	FA7V-045020-1001	CHARGER BAG	1	
15	FA7V-045020-1000	CHARGER BAG	1	
16	30006-080040110	SCREW M8x40	1	M8x40